



## CATALOGUE

## X-Lok Connector

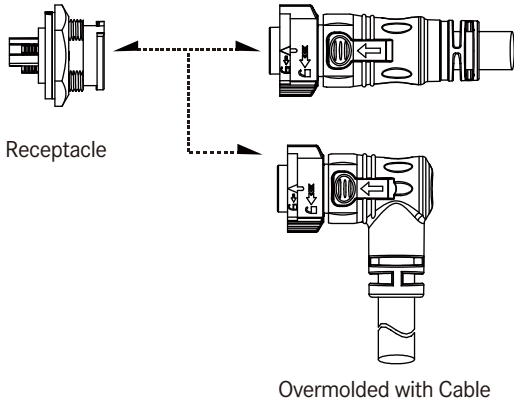




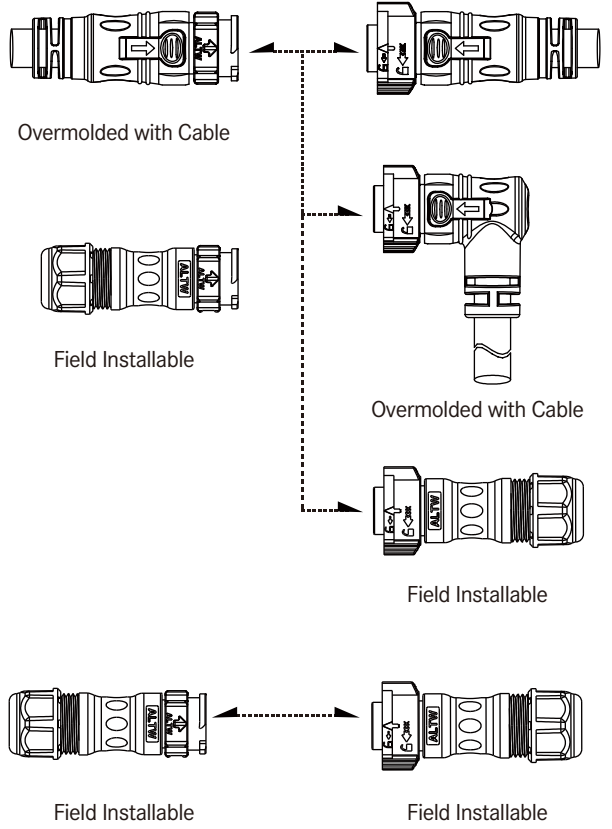
【Note】 Design and specification are subject to change without notice.

# Range Overview

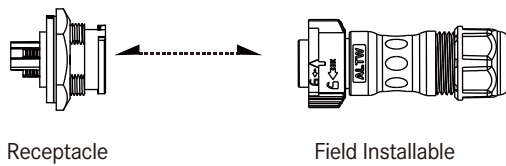
## Receptacle to Overmolded with Cable



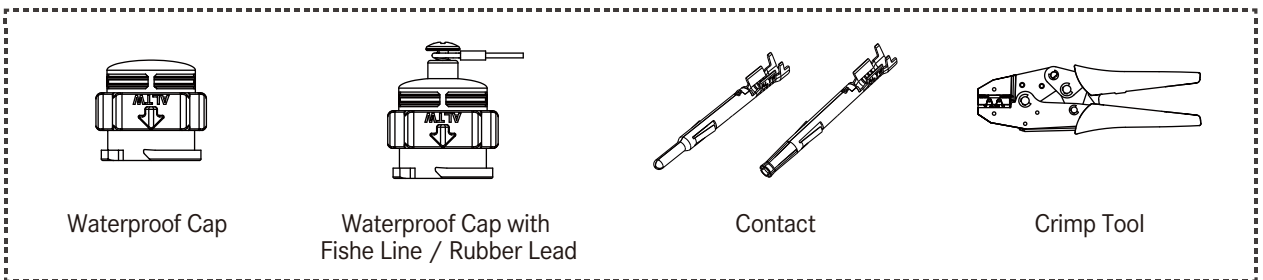
## In-Line



## Receptacle to Field Installable



## Accessories



## Specification

|                                     |   |
|-------------------------------------|---|
| <b>Identifications</b>              | Power Group (B,C,D size)<br>Data Group (B,C,D size)<br>Hybrid Group (B,C,D size)  |
| <b>Mating Style</b>                 | Push Lock   |
| <b>Description</b>                  | Receptacle<br>Overmolded with Cable<br>Field Installable  |
| <b>Current Rating / Data</b>        | B size (5A, 10A, 10A+5A)<br>C size (5A, 10A, 20A, 10A+5A)<br>D size (5A, 20A, 20A+5A)   |
| <b>Material</b>                     | Contacts: Copper Alloy, Gold Plated<br>Connector Body (Housing) : Nylon+GF, UL Recognized<br>Gasket & O-ring: Rubber, UL Recognized   |
| <b>Waterproof Rating</b>            | IP68  |
| <b>Temperature Range</b>            | Receptacle: -40°C~105°C<br>Overmolded With Cable:<br><ul style="list-style-type: none"> <li>• Date Group: -20°C~80°C</li> <li>• Power Group: -20°C~105°C</li> <li>• Hybrid Group: -40°C~105°C</li> </ul> Field Installable: -40°C~105°C |
| <b>Contact Resistance</b>           | ≤10mΩ   |
| <b>Insulation Resistance</b>        | ≥100MΩ at DC500V  |
| <b>Durability</b>                   | 1000 cycles   |
| <b>Dielectric Withstand Voltage</b> | 1,000V plus 2 times the rated voltage / 1 minute  |
| <b>More to know</b>                 | Standard Cable Length: 01~99M   |

【Note】 Design and specification are subject to change without notice.

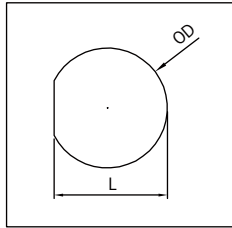
# Ordering Information

|                                       |          |          |   |          |                      |  |          |   |           |
|---------------------------------------|----------|----------|---|----------|----------------------|--|----------|---|-----------|
| <b>1</b>                              | <b>2</b> | <b>3</b> | <b>4</b>  | <b>5</b> | <b>6</b>             | <b>7</b>   | <b>8</b> | <b>9</b>  | <b>10</b> |
| <b>Specification / Current Rating</b> |          |          |   |          |                      |  |          |   |           |
| <u>≥ Standard Size</u>                |          |          | <u>≥ Middle Size</u>  |          |                      | <u>≥ Large Size</u>  |          |   |           |
| (BD) 5A                               |          |          | (CD) 5A   |          |                      | (DD) 5A  |          |   |           |
| (BB) 10A                              |          |          | (CB) 10A  |          |                      | (DC) 20A   |          |   |           |
| (BBB) 10A+5A                          |          |          | (CC) 20A  |          |                      | (DCD) 20A+5A   |          |   |           |
|                                       |          |          | (CBD) 10A+5A  |          |                      |  |          |   |           |
| <b>Number of Contacts</b>             |          |          |   |          |                      |  |          |   |           |
| 02, 03....                            |          |          |   |          |                      |  |          |   |           |
| e.g. (02) = 2 Contacts                |          |          |   |          |                      |  |          |   |           |
| <b>Connector Body (Style)</b>         |          |          |   |          |                      |  |          |   |           |
| <u>≥ For Receptacle</u>               |          |          | <u>≥ For Overmolded with Cable</u>  |          |                      | <u>≥ For Field Installable</u>   |          |   |           |
| (P) Front Fastened                    |          |          | (A) With Strain Relief  |          |                      | (B) With Strain Relief   |          |   |           |
| (R) Rear Fastened                     |          |          |   |          |                      |  |          |   |           |
| <b>Connector (Housing) Gender</b>     |          |          |   |          |                      |  |          |   |           |
| (M) Male Connector                    |          |          |   |          | (F) Female Connector |  |          |   |           |
| <b>Contact Gender</b>                 |          |          |   |          |                      |  |          |   |           |
| (M) Male                              |          |          |   |          |                      |  |          |   |           |
| (F) Female                            |          |          |   |          |                      |  |          |   |           |
| <b>Assemble Style</b>                 |          |          |   |          |                      |  |          |   |           |
| <u>≥ For Receptacle</u>               |          |          | <u>≥ For Overmolded with Cable</u>  |          |                      | <u>≥ For Field Installable</u>   |          |   |           |
| (S) Solder Type                       |          |          | (M) Overmolded with Cable   |          |                      | (A) Crimp Type   |          |   |           |
| (B) Screw in Type                     |          |          |   |          |                      |  |          |   |           |
| <b>Mating Style</b>                   |          |          |   |          |                      |  |          |   |           |
| (Q) Push Lock                         |          |          |   |          |                      |  |          |   |           |
| <b>Backshell</b>                      |          |          |   |          |                      |  |          |   |           |
| <u>≥ For Receptacle</u>               |          |          | <u>≥ For Overmolded with Cable</u>  |          |                      |  |          |   |           |
| (C) Circular                          |          |          | (L) Straight  |          |                      |  |          |   |           |
| (S) Square                            |          |          | (R) Right Angle   |          |                      |  |          |   |           |
| <b>Waterproof Rating</b>              |          |          |   |          |                      |  |          |   |           |
| (8) IP68                              |          |          |   |          |                      |  |          |   |           |
| <b>More Information</b>               |          |          |   |          |                      |  |          |   |           |
| <u>≥ For Receptacle</u>               |          |          | <u>≥ For Overmolded with Cable</u>  |          |                      | <u>≥ For Field Installable</u>   |          |   |           |
| (001), (002) .....                    |          |          | (□)+(■) : Cable Type + Cable Length   |          |                      | (□)+(■)+(○) : Seal Size + Package Options + Application  |          |   |           |
| For Data Group & Different Versions   |          |          | e.g. (A01) = UL2464 Cable + 1M  |          |                      | e.g. (SN0) = Seal S + Connector without Contact + for Data Group   |          |   |           |
| (00P) For Power Group                 |          |          | <u>(□) : Cable Type</u><br>(A) UL2464 Cable - Upon request<br>(D) UL21388 Cable - Data Group<br>(E) UL SJTW Cable - Power Group<br>(F) UL21996 Cable - Hybrid Group |          |                      | <u>(■) : Cable Length</u><br>From 1M to 99M<br>e.g. (01) = 1M  |          |   |           |
|                                       |          |          | <u>(□) : Seal Type</u><br>B Size:<br>(S) 5.0~6.0mm<br>(M) 6.0~8.0mm<br>(L) 8.0~10.0mm   |          |                      | <u>(■) : Package Options</u><br>(N) Connector without Contact*<br>(P) Connector with Contacts                  |          | <u>(○) : Application</u><br>(O) For Data Group<br>(P) For Power Group |           |
|                                       |          |          |   |          |                      | * Contacts are available to be sold in bulk individually. For further information, please refer to page 20-22. |          |   |           |
|                                       |          |          | C Size:<br>(S) 6.0~8.0mm<br>(M) 8.0~10.0mm<br>(L) 10.0~12.0mm   |          |                      |  |          |   |           |
|                                       |          |          | D Size:<br>(S) 8.0~10.0mm<br>(M) 10.0~12.0mm<br>(L) 12.0~14.0mm   |          |                      |  |          |   |           |

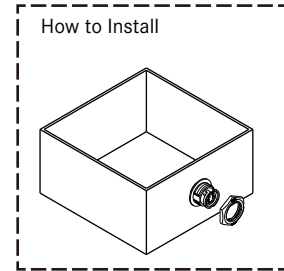
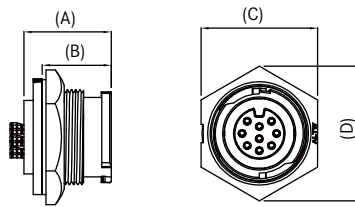
# Physical Dimension | Data Group

## Receptacle

Panel Cut-out



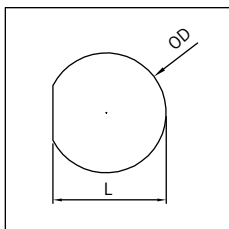
Front Fastened



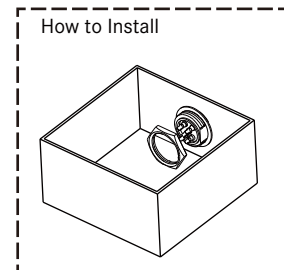
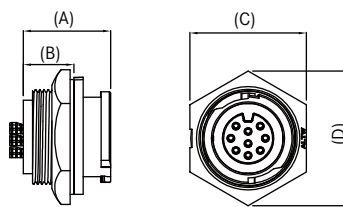
| Size | Current Rating (Code) | L    | OD   | A    | B    | C    | D    | Pannel Thickness Max. |
|------|-----------------------|------|------|------|------|------|------|-----------------------|
| B    | 5A (BD)               | 14.8 | 15.6 | 18.8 | 14.0 | 20.6 | 23.7 | 4                     |
|      | 10A (BB)              |      |      |      |      |      |      |                       |
| C    | 5A (CD)               | 19.4 | 20.8 | 19.0 | 15.0 | 25.4 | 29.3 | 4.2                   |
|      | 10A (CB)              |      |      |      |      |      |      |                       |
| D    | 5A (DD)               | 23.6 | 25.6 | 18.0 | 14.9 | 28.6 | 33.0 | 3.6                   |

Unit: mm

Panel Cut-out



Rear Fastened

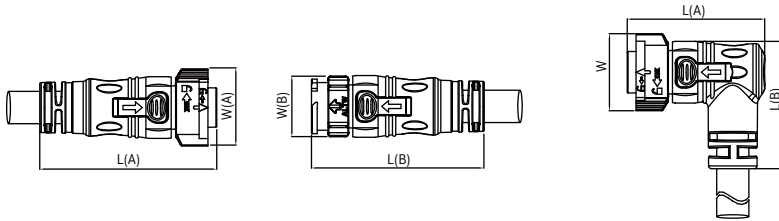


| Size | Current Rating (Code) | L    | OD   | A    | B    | C    | D    | Panel Thickness Max. |
|------|-----------------------|------|------|------|------|------|------|----------------------|
| B    | 5A (BD)               | 14.8 | 15.6 | 18.6 | 10.8 | 20.6 | 23.7 | 4.5                  |
|      | 10A (BB)              |      |      |      |      |      |      |                      |
| C    | 5A (CD)               | 19.4 | 20.8 | 19.0 | 11.0 | 25.4 | 29.3 | 4.2                  |
|      | 10A (CB)              |      |      |      |      |      |      |                      |
| D    | 5A (DD)               | 23.6 | 25.6 | 18.0 | 14.9 | 28.6 | 33.0 | 3.6                  |

Unit: mm

[Note] Design and specification are subject to change without notice.

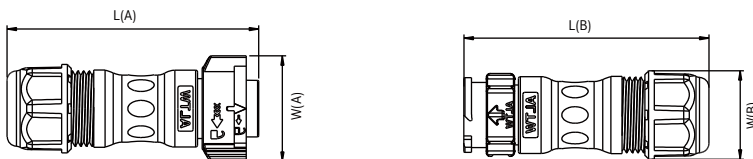
∟ **Overmolded With Cable**



| Size | Current Rating (Code) | Straight Style |          |            |          | Right Angle Style |      |      |
|------|-----------------------|----------------|----------|------------|----------|-------------------|------|------|
|      |                       | L              |          | W          |          | L(A)              | L(B) | W    |
|      |                       | Female (A)     | Male (B) | Female (A) | Male (B) | Female            |      |      |
| B    | 5A (BD)               | 53.4           | 53.0     | 25.0       | 20.1     | 45.2              | 34.5 | 25.0 |
|      | 10A (BB)              |                |          |            |          |                   |      |      |
| C    | 5A (CD)               | 64.2           | 62.7     | 28.0       | 22.4     | 50.0              | 46.2 | 28.0 |
|      | 10A (CB)              |                |          |            |          |                   |      |      |
| D    | 5A (DD)               | 62.4           | 61.8     | 36.0       | 27.0     | 63.0              | 49.5 | 36.0 |

Unit: mm

∟ **Field Installable**



| Size | Current Rating (Code) | Straight Style |          |            |          | Seal Size |           |           |
|------|-----------------------|----------------|----------|------------|----------|-----------|-----------|-----------|
|      |                       | L              |          | W          |          | S         | M         | L         |
|      |                       | Female (A)     | Male (B) | Female (A) | Male (B) |           |           |           |
| B    | 5A (BD)               | 66.2           | 66.0     | 25.0       | 20.0     | 5.0~6.0   | 6.0~8.0   | 8.0~10.0  |
|      | 10A (BB)              |                |          |            |          |           |           |           |
| C    | 5A (CD)               | 64.2           | 62.7     | 28.0       | 22.4     | 6.0~8.0   | 8.0~10.0  | 10.0~12.0 |
|      | 10A (CB)              |                |          |            |          |           |           |           |
|      | 20A (CC)              |                |          |            |          |           |           |           |
| D    | 5A (BD)               | 70.2           | 69.0     | 36.0       | 27.0     | 8.0~10.0  | 10.0~12.0 | 12.0~14.0 |
|      | 10A (BB)              |                |          |            |          |           |           |           |

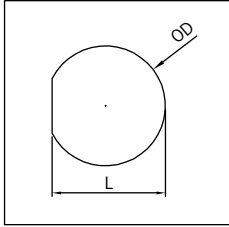
Unit: mm



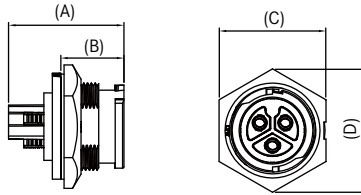
# Physical Dimension | Power Group

## Receptacle

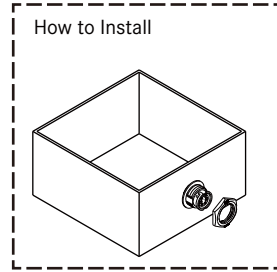
Panel Cut-out



Front Fastened



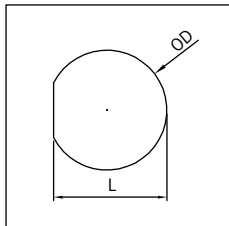
How to Install



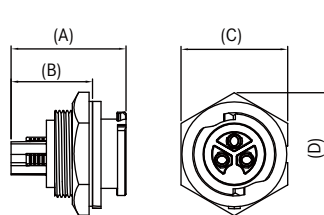
| Size | Current Rating (Code) | L    | OD   | A    | B    | C    | D    | Panel Thickness Max. |
|------|-----------------------|------|------|------|------|------|------|----------------------|
| B    | 5A (BD)               | 14.8 | 15.6 | 18.8 | 14.0 | 20.6 | 23.7 | 4                    |
|      | 10A (BB)              |      |      |      |      |      |      |                      |
| C    | 20A (CC)              | 19.4 | 20.8 | 27.4 | 15.0 | 25.4 | 29.3 | 4.2                  |
| D    | 20A (DC)              | 23.6 | 25.6 | 26.3 | 14.9 | 28.6 | 33.0 | 3.6                  |

Unit: mm

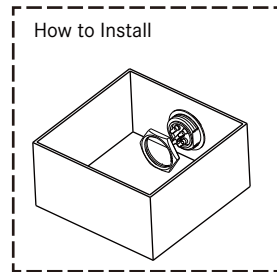
Panel Cut-out



Rear Fastened



How to Install

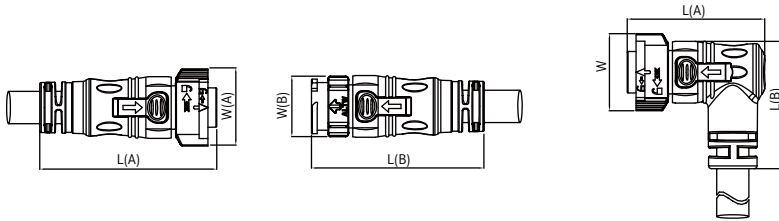


| Size | Current Rating (Code) | L    | OD   | A    | B    | C    | D    | Panel Thickness Max. |
|------|-----------------------|------|------|------|------|------|------|----------------------|
| B    | 5A (BD)               | 14.8 | 15.6 | 18.6 | 10.8 | 20.6 | 23.7 | 4.5                  |
|      | 10A (BB)              |      |      |      |      |      |      |                      |
| C    | 20A (CC)              | 19.4 | 20.8 | 27.4 | 19.4 | 25.4 | 29.3 | 4.2                  |
| D    | 20A (DC)              | 23.6 | 25.6 | 26.3 | 18.1 | 28.6 | 33.0 | 3.6                  |

Unit: mm

[Note] Design and specification are subject to change without notice.

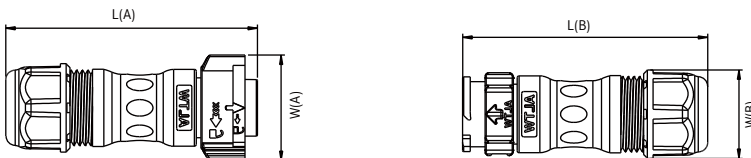
∟ Overmolded With Cable



| Size | Current Rating (Code) | Straight Style |          |            |          | Right Angle Style |      |      |
|------|-----------------------|----------------|----------|------------|----------|-------------------|------|------|
|      |                       | L              |          | W          |          | L(A)              | L(B) | W    |
|      |                       | Female (A)     | Male (B) | Female (A) | Male (B) | Female            |      |      |
| B    | 5A (BD)               | 53.4           | 53.0     | 25.0       | 20.1     | 45.2              | 34.5 | 25.0 |
|      | 10A (BB)              |                |          |            |          |                   |      |      |
| C    | 5A (CD)               | 64.2           | 62.7     | 28.0       | 22.4     | 50.0              | 46.2 | 28.0 |
|      | 10A (CB)              |                |          |            |          |                   |      |      |
| D    | 5A (DD)               | 62.4           | 61.8     | 36.0       | 27.0     | 63.0              | 49.5 | 36.0 |

Unit: mm

∟ Field Installable



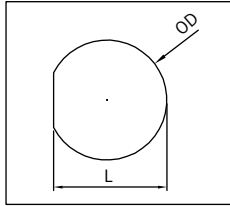
| Size | Current Rating (Code) | Straight Style |          |            |          | Seal Size |           |           |
|------|-----------------------|----------------|----------|------------|----------|-----------|-----------|-----------|
|      |                       | L              |          | W          |          | S         | M         | L         |
|      |                       | Female (A)     | Male (B) | Female (A) | Male (B) |           |           |           |
| B    | 5A (BD)               | 66.2           | 66.0     | 25.0       | 20.0     | 5.0~6.0   | 6.0~8.0   | 8.0~10.0  |
|      | 10A (BB)              |                |          |            |          |           |           |           |
| C    | 5A (CD)               | 64.2           | 62.7     | 28.0       | 22.4     | 6.0~8.0   | 8.0~10.0  | 10.0~12.0 |
|      | 20A (CC)              |                |          |            |          |           |           |           |
| D    | 5A (BD)               | 70.2           | 69.0     | 36.0       | 27.0     | 8.0~10.0  | 10.0~12.0 | 12.0~14.0 |
|      | 10A (BB)              |                |          |            |          |           |           |           |

Unit: mm

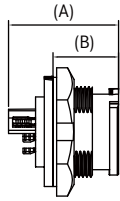
# Physical Dimension | Hybrid Group

## Receptacle

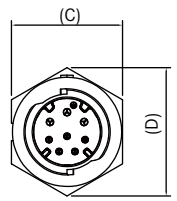
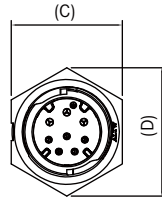
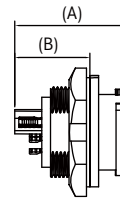
Panel Cut-out



Front Fastened



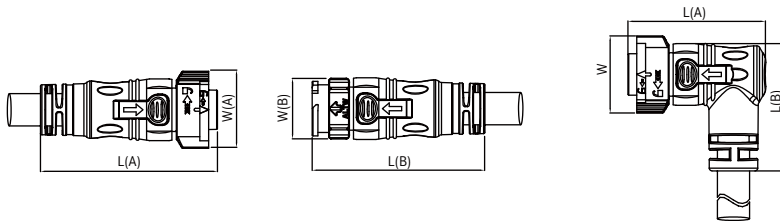
Rear Fastened



| Size | Current Rating (Code) | Fasten Style | L    | OD   | A    | B    | C    | D    | Panel Thickness Max. |
|------|-----------------------|--------------|------|------|------|------|------|------|----------------------|
| B    | 10A+5A (BBD)          | Front        | 14.8 | 15.6 | 26.0 | 14.0 | 20.6 | 23.7 | 4                    |
|      |                       | Rear         | 14.8 | 15.6 | 24.9 | 17.0 | 20.6 | 23.7 | 4.5                  |
| C    | 10A+5A (CBD)          | Front        | 19.4 | 20.8 | 25.2 | 15.0 | 25.4 | 29.3 | 4.2                  |
|      |                       | Rear         | 19.4 | 20.8 | 25.2 | 17.2 | 25.4 | 29.3 | 4.2                  |
| D    | 20A+5A (DCD)          | Front        | 23.6 | 25.6 | 24.1 | 14.9 | 28.6 | 33.0 | 3.6                  |
|      |                       | Rear         | 23.6 | 25.6 | 24.1 | 15.9 | 28.6 | 33.0 | 3.6                  |

Unit: mm

## Overmolded With Cable



| Size | Current Rating (Code) | Straight Style |          |            |          | Right Angle Style |      |      |
|------|-----------------------|----------------|----------|------------|----------|-------------------|------|------|
|      |                       | L              |          | W          |          | L(A)              | L(B) | W    |
|      |                       | Female (A)     | Male (B) | Female (A) | Male (B) | Female            |      |      |
| B    | 10A+5A (BBD)          | 53.4           | 53.0     | 25.0       | 20.1     | 45.2              | 34.5 | 25.0 |
| C    | 10A+5A (CBD)          | 64.2           | 62.7     | 28.0       | 22.4     | 50.0              | 46.2 | 28.0 |
| D    | 20A+5A (DCD)          | 62.4           | 61.8     | 36.0       | 27.0     | 63.0              | 49.5 | 36.0 |

Unit: mm

【Note】 Design and specification are subject to change without notice.

# Contact Configuration

|             | Standard Size (B) |           |          |          |          |          |           |           |              |          | Middle    |           |           |           |
|-------------|-------------------|-----------|----------|----------|----------|----------|-----------|-----------|--------------|----------|-----------|-----------|-----------|-----------|
|             | Data              |           |          |          | Power    |          |           |           | Hybrid       |          | Data      |           |           |           |
|             | 5A (BD)           |           | 10A (BB) |          | 5A (BD)  |          | 10A (BB)  |           | 10A+5A (BBD) |          | 5A (CD)   |           | 10A (CB)  |           |
| 4 5         | MM or FF          | MF or FM  | MM or FF | MF or FM | MM or FF | MF or FM | MM or FF  | MF or FM  | MM or FF     | MF or FM | MM or FF  | MF or FM  | MM or FF  | MF or FM  |
| 2 Pin (02)  |                   |           |          |          |          |          |           |           |              |          |           |           |           |           |
|             | R   C   F         | R   C   F | R   C    | R   C    |          |          | R   C   F | R   C   F |              |          |           |           |           |           |
| 3 Pin (03)  |                   |           |          |          |          |          |           |           |              |          |           |           |           |           |
|             | R   C   F         | R   C   F | R   C    | R   C    | R   C    | R   C    | R   C   F | R   C   F | R   C        | R   C    |           |           |           |           |
| 4 Pin (04)  |                   |           |          |          |          |          |           |           |              |          |           |           |           |           |
|             | R   C   F         | R   C   F | R   C    |          |          |          | R   C   F |           | R   C        | R   C    |           |           | R   C   F | R   C   F |
| 5 Pin (05)  |                   |           |          |          |          |          |           |           |              |          |           |           |           |           |
|             | R   C   F         | R   C   F |          |          |          |          |           |           | R   C        | R   C    |           |           | R   C   F | R   C   F |
| 6 Pin (06)  |                   |           |          |          |          |          |           |           |              |          |           |           |           |           |
|             | R   C   F         | R   C   F |          |          |          |          |           |           | R   C        | R   C    |           |           | R   C   F |           |
| 7 Pin (07)  |                   |           |          |          |          |          |           |           |              |          |           |           |           |           |
|             | R   C   F         |           |          |          |          |          |           |           |              |          | R   C   F | R   C   F |           |           |
| 8 Pin (08)  |                   |           |          |          |          |          |           |           |              |          |           |           |           |           |
|             | R   C   F         |           |          |          |          |          |           |           |              |          | R   C   F | R   C   F |           |           |
| 9 Pin (09)  |                   |           |          |          |          |          |           |           |              |          |           |           |           |           |
|             |                   |           |          |          |          |          |           |           |              |          | R   C   F | R   C   F |           |           |
| 10 Pin (10) |                   |           |          |          |          |          |           |           |              |          |           |           |           |           |
|             |                   |           |          |          |          |          |           |           |              |          | R   C   F |           |           |           |
| 11 Pin (11) |                   |           |          |          |          |          |           |           |              |          |           |           |           |           |
| 12 Pin (12) |                   |           |          |          |          |          |           |           |              |          |           |           |           |           |
|             |                   |           |          |          |          |          |           |           |              |          | R   C   F |           |           |           |
| 14 Pin (14) |                   |           |          |          |          |          |           |           |              |          |           |           |           |           |
| 18 Pin (18) |                   |           |          |          |          |          |           |           |              |          |           |           |           |           |

# X-Lok Connector | Contact Configuration

Standard Size (5A | 10A | 10A+5A) | Middle Size (5A | 10A | 20A | 10A+5A) | Large Size (5A | 20A | 20A+5A)

| Size (C)  |           |              |          | Large Size (D) |           |           |           |              |          |          |          |  |  |
|-----------|-----------|--------------|----------|----------------|-----------|-----------|-----------|--------------|----------|----------|----------|--|--|
| Power     |           | Hybrid       |          | Data           |           | Power     |           | Hybrid       |          |          |          |  |  |
| 20A (CC)  |           | 10A+5A (CBD) |          | 5A (DD)        |           | 20A (DC)  |           | 20A+5A (DCD) |          |          |          |  |  |
| MM or FF  | MF or FM  | MM or FF     | MF or FM | MM or FF       | MF or FM  | MM or FF  | MF or FM  | MM or FF     | MF or FM | MM or FF | MF or FM |  |  |
|           |           |              |          |                |           |           |           |              |          |          |          |  |  |
| R   C   F | R   C   F |              |          |                |           | R   C   F | R   C   F |              |          |          |          |  |  |
|           |           |              |          |                |           |           |           |              |          |          |          |  |  |
| R   C   F | R   C   F |              |          |                |           | R   C   F | R   C   F |              |          |          |          |  |  |
|           |           |              |          |                |           |           |           |              |          |          |          |  |  |
|           |           | R   C        | R   C    |                |           |           |           | R   C        | R   C    |          |          |  |  |
|           |           |              |          |                |           |           |           |              |          |          |          |  |  |
|           |           | R   C        | R   C    |                |           | R   C   F | R   C   F | R   C        | R   C    |          |          |  |  |
|           |           |              |          |                |           |           |           |              |          |          |          |  |  |
|           |           | R   C        | R   C    |                |           |           |           | R   C        | R   C    |          |          |  |  |
|           |           |              |          |                |           |           |           |              |          |          |          |  |  |
|           |           | R   C        | R   C    |                |           |           |           | R   C        | R   C    |          |          |  |  |
|           |           |              |          |                |           |           |           |              |          |          |          |  |  |
|           |           | R   C        | R   C    |                |           |           |           | R   C        | R   C    |          |          |  |  |
|           |           |              |          |                |           |           |           |              |          |          |          |  |  |
|           |           |              |          |                |           |           |           | R   C        | R   C    |          |          |  |  |
|           |           |              |          |                |           |           |           |              |          |          |          |  |  |
|           |           |              |          |                |           |           |           | R   C        | R   C    |          |          |  |  |
|           |           |              |          |                |           |           |           |              |          |          |          |  |  |
|           |           |              |          |                |           |           |           | R   C        | R   C    |          |          |  |  |
|           |           |              |          |                |           |           |           |              |          |          |          |  |  |
|           |           |              |          |                |           | R   C   F |           |              |          |          |          |  |  |
|           |           |              |          |                |           |           |           |              |          |          |          |  |  |
|           |           |              |          | R   C   F      | R   C   F |           |           |              |          |          |          |  |  |
|           |           |              |          |                |           |           |           |              |          |          |          |  |  |
|           |           |              |          | R   C   F      | R   C   F |           |           |              |          |          |          |  |  |

**R:** Receptacle  
**C:** Overmolded with Cable  
**F:** Field Installable

- 5A (BD/CD/DD) 1
- 10A (BB/CB)
- 20A (CC/DC)
- 10A + 5A (BBD)
- 20A + 5A (DCD)


**Number of Contacts:** 2  
 e.g. 3 Pin (03)

**Connector (Housing) Gender:** 4  
 Male (M) or Female (F)


**Contact Gender:** 5  
 Male (M) or Female (F)

**More to Choose:** 6

- Solder (S)
- Crimp (A)



For receptacle and overmolded with cable

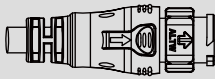
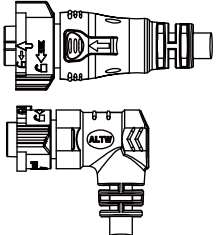
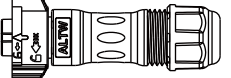


For field installable

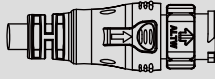
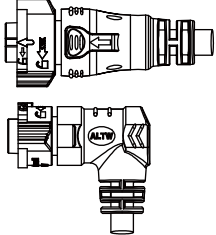
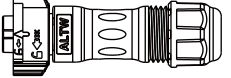
[Note] Design and specification are subject to change without notice.

# Find Our Standard Products

## Standard Size: 5/8"-27 UNS > In-line

| <ul style="list-style-type: none"> <li>• Male Connector (Housing)</li> <li>• Male Contacts</li> <li>• Push Lock</li> </ul> |                       |                      | Overmolded with Cable<br> | Overmolded with Cable<br> | Field Installable<br><br>ASSP- 2 FAC 6<br>P/N refers to page 20-22 |
|--|-----------------------|----------------------|--|---|---|
| Group  | Current Rating (Code) | Contacts 2           | Male Connector (M)<br>Male Contacts (M)  | Female Connector (F)<br>Female Contacts (F)   | Female Connector (F)<br>Female Contacts (F)   |
| Data   | 5A (BD)               | 02,03,04,05,06,07,08 | BD- 2 AMMM-QL8DXX*   | BD- 2 AFFM-QL8DXX*<br>BD- 2 AFFM-QR8DXX*  | BD- 2 BFFA-QL8X <sup>1</sup> X <sup>2</sup> 0**   |
|  | 10A (BB)              | 02,03,04             | BB- 2 AMMM-QL8DXX*   | BB- 2 AFFM-QL8DXX*<br>BB- 2 AFFM-QR8DXX*  | -   |
| Power  | 5A (BD)               | 03                   | BD-03AMMM-QL8EXX*  | BD-03AFFM-QL8EXX*<br>BD-03AFFM-QR8EXX*  | -   |
|  | 10A (BB)              | 02,03,04             | BB- 2 AMMM-QL8EXX*   | BB- 2 AFFM-QL8EXX*<br>BB- 2 AFFM-QR8EXX*  | BB- 2 BFFA-QL8X <sup>1</sup> X <sup>2</sup> P**   |
| Hybrid   | 10A+5A (BBD)          | 06                   | BBD-06AMMM-QL8FXX*   | BBD-06AFFM-QL8FXX*<br>BBD-06AFFM-QR8FXX*  | -   |

## Standard Size: 5/8"-27 UNS > In-line

| <ul style="list-style-type: none"> <li>• Male Connector (Housing)</li> <li>• Female Contacts</li> <li>• Push Lock</li> </ul> |                       |                | Overmolded with Cable<br> | Overmolded with Cable<br> | Field Installable<br><br>ASSP- 2 FAC 6<br>P/N refers to page 20-22 |
|--|-----------------------|----------------|--|---|---|
| Group  | Current Rating (Code) | Contacts 2     | Male Connector (M)<br>Female Contacts (F)  | Female Connector (F)<br>Male Contacts (M)   | Female Connector (F)<br>Male Contacts (M)   |
| Data   | 5A (BD)               | 02,03,04,05,06 | BD- 2 AMFM-QL8DXX*   | BD- 2 AFMM-QL8DXX*<br>BD- 2 AFMM-QR8DXX*  | BD- 2 BFMA-QL8X <sup>1</sup> X <sup>2</sup> 0**   |
|  | 10A (BB)              | 02,03,04       | BB- 2 AMFM-QL8DXX*   | BB- 2 AFMM-QL8DXX*<br>BB- 2 AFMM-QR8DXX*  | -   |
| Power  | 5A (BD)               | 03             | BD-03AMFM-QL8EXX*  | BD-03AFMM-QL8EXX*<br>BD-03AFMM-QR8EXX*  | -   |
|  | 10A (BB)              | 02,03          | BB- 2 AMFM-QL8EXX*   | BB- 2 AFMM-QL8EXX*<br>BB- 2 AFMM-QR8EXX*  | BB- 2 BFMA-QL8X <sup>1</sup> X <sup>2</sup> P**   |
| Hybrid   | 10A+5A (BBD)          | 06             | BBD-06AMFM-QL8FXX*   | BBD-06AFMM-QL8FXX*<br>BBD-06AFMM-QR8FXX*  | -   |

\*XX: Choose the cable length from 01-99 m

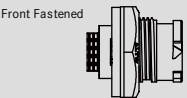
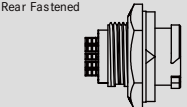
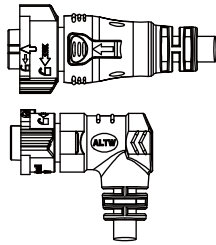
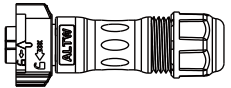
\*\*X<sup>1</sup>X<sup>2</sup>: Seal Size + Package Options  
e.g. (SN) = Seal S + Connector without Contact

X<sup>1</sup>: Seal Size  
(S) 5.0~6.0mm  
(M) 6.0~8.0mm  
(L) 8.0~10.0mm

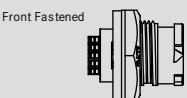
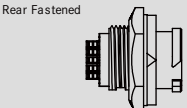
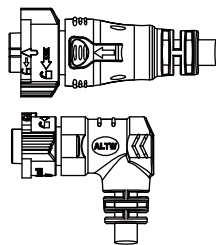
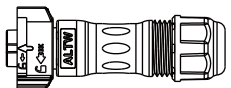
X<sup>2</sup>: Package Options  
(N) Connector without Contact  
(P) Connector with Contacts

[Contacts are available to be sold in bulk individually. For further information, please refer to page 20-22.]

Standard Size: 5/8"-27 UNS > Receptacle and Mating Pair

| <ul style="list-style-type: none"> <li>Male Connector (Housing)</li> <li>Male Contacts</li> <li>Push Lock</li> </ul> |                       |                      | <p>Receptacle</p> <p>Front Fastened</p>  <p>Rear Fastened</p>  | <p>Overmolded with Cable</p>  | <p>Field Installable</p>  <p>ASSP- 2 FAC 6<br/>P/N refers to page 20-22</p> |
|--|-----------------------|----------------------|--|---|--|
| Group  | Current Rating (Code) | Contacts 2           | Male Connector (M)<br>Male Contacts (M)  | Female Connector (F)<br>Female Contacts (F)   | Female Connector (F)<br>Female Contacts (F)  |
| Data   | 5A (BD)               | 02,03,04,05,06,07,08 | BD- 2 PMMS-QC8001<br>BD- 2 RMMS-QC8001   | BD- 2 AFFM-QL8DXX*<br>BD- 2 AFFM-QR8DXX*  | BD- 2 BFFA-QL8X <sup>1</sup> X <sup>2</sup> 0**  |
|  | 10A (BB)              | 02,03,04             | BB- 2 PMMS-QC8001<br>BB- 2 RMMS-QC8001   | BB- 2 AFFM-QL8DXX*<br>BB- 2 AFFM-QR8DXX*  | -  |
| Power  | 5A (BD)               | 03                   | BD-03PMMS-QC800P<br>BD-03RMMS-QC800P   | BD-03AFFM-QL8EXX*<br>BD-03AFFM-QR8EXX*  | -  |
|  | 10A (BB)              | 02,03,04             | BB- 2 PMMS-QC800P<br>BB- 2 RMMS-QC800P   | BB- 2 AFFM-QL8EXX*<br>BB- 2 AFFM-QR8EXX*  | BB- 2 BFFA-QL8X <sup>1</sup> X <sup>2</sup> P**  |
| Hybrid   | 10A+5A (BBD)          | 06                   | BBD-06PMMS-QC8001<br>BBD-06RMMS-QC8001   | BBD-06AFFM-QL8FXX*<br>BBD-06AFFM-QR8FXX*  | -  |

Standard Size: 5/8"-27 UNS > Receptacle and Mating Pair

| <ul style="list-style-type: none"> <li>Male Connector (Housing)</li> <li>Male Contacts</li> <li>Push Lock</li> </ul> |                       |                | <p>Receptacle</p> <p>Front Fastened</p>  <p>Rear Fastened</p>  | <p>Overmolded with Cable</p>  | <p>Field Installable</p>  <p>ASSP- 2 FAC 6<br/>P/N refers to page 20-22</p> |
|--|-----------------------|----------------|--|---|--|
| Group  | Current Rating (Code) | Contacts 2     | Male Connector (M)<br>Female Contacts (F)  | Female Connector (F)<br>Male Contacts (M)   | Female Connector (F)<br>Male Contacts (M)  |
| Data   | 5A (BD)               | 02,03,04,05,06 | BD- 2 RMFS-QC8001<br>BD- 2 PMFS-QC8001   | BD- 2 AFMM-QL8DXX*<br>BD- 2 AFMM-QR8DXX*  | BD- 2 BFMA-QL8X <sup>1</sup> X <sup>2</sup> 0**  |
|  | 10A (BB)              | 02,03          | BB- 2 RMFS-QC8001<br>BB- 2 PMFS-QC8001   | BB- 2 AFMM-QL8DXX*<br>BB- 2 AFMM-QR8DXX*  | -  |
| Power  | 5A (BD)               | 03             | BD-03RMFS-QC800P<br>BD-03PMFS-QC800P   | BD-03AFMM-QL8EXX*<br>BD-03AFMM-QR8EXX*  | -  |
|  | 10A (BB)              | 02,03          | BB- 2 RMFS-QC800P<br>BB- 2 PMFS-QC800P   | BB- 2 AFMM-QL8EXX*<br>BB- 2 AFMM-QR8EXX*  | BB- 2 BFMA-QL8X <sup>1</sup> X <sup>2</sup> P**  |
| Hybrid   | 10A+5A (BBD)          | 06             | BBD-06RMFS-QC8001<br>BBD-06PMFS-QC8001   | BBD-06AFMM-QL8FXX*<br>BBD-06AFMM-QR8FXX*  | -  |

\*XX: Choose the cable length from 01-99 m

\*\*X<sup>1</sup>X<sup>2</sup>: Seal Size + Package Options  
e.g. (SN) = Seal S + Connector without Contact

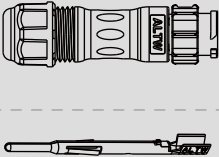
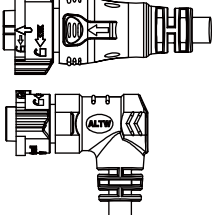
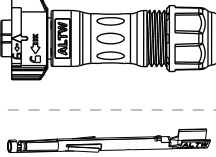
X<sup>1</sup>: Seal Size  
(S) 5.0-6.0mm  
(M) 6.0-8.0mm  
(L) 8.0-10.0mm

X<sup>2</sup>: Package Options  
(N) Connector without Contact  
(P) Connector with Contacts

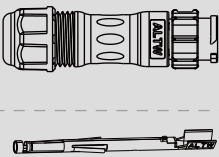
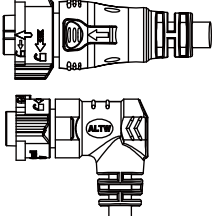
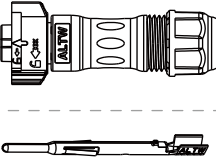
[Contacts are available to be sold in bulk individually. For further information, please refer to page 20-22.]

[Note] Design and specification are subject to change without notice.

Standard Size: 5/8"-27 UNS > In-Line

|  |                       |                      |  |   |  |
|--|-----------------------|----------------------|--|---|--|
| <ul style="list-style-type: none"> <li>• Male Connector (Housing)</li> <li>• Male Contacts</li> <li>• Push Lock</li> </ul> |                       |                      | <p>Field Installable</p>  <p>ASSP- 2 FAC 6<br/>P/N refers to page xxx</p> | <p>Overmolded with Cable</p>  | <p>Field Installable</p>  <p>ASSP- 2 FAC 6<br/>P/N refers to page 20-22</p> |
| Group  | Current Rating (Code) | Contacts 2           | Male Connector (M)<br>Male Contacts (M)  | Female Connector (F)<br>Female Contacts (F)   | Female Connector (F)<br>Female Contacts (F)  |
| Data   | 5A (BD)               | 02,03,04,05,06,07,08 | BD- 2 BMMA-QL8X <sup>1</sup> X <sup>2</sup> 0**  | BD- 2 AFFM-QL8DXX*<br>BD- 2 AFFM-QR8DXX*  | BD- 2 BFFA-QL8X <sup>1</sup> X <sup>2</sup> 0**  |
| Power  | 10A (BB)              | 02,03,04             | BD- 2 BMMA-QL8X <sup>1</sup> X <sup>2</sup> P**  | BB- 2 AFFM-QL8DXX*<br>BB- 2 AFFM-QR8DXX*  | BD- 2 BFFA-QL8X <sup>1</sup> X <sup>2</sup> P**  |

Standard Size: 5/8"-27 UNS > In-Line

|       |                       |                |   |  |   |
|-------|-----------------------|----------------|---|--|---|
|       |                       |                | <p>Field Installable</p>  <p>ASSP- 2 FAC 6<br/>P/N refers to page xxx</p> | <p>Overmolded with Cable</p>  | <p>Field Installable</p>  <p>ASSP- 2 FAC 6<br/>P/N refers to page 20-22</p> |
| Group | Current Rating (Code) | Contacts 2     | Male Connector (M)<br>Female Contacts (F)   | Female Connector (F)<br>Male Contacts (M)  | Female Connector (F)<br>Male Contacts (M)   |
| Data  | 5A (BD)               | 02,03,04,05,06 | BD- 2 BMFA-QL8X <sup>1</sup> X <sup>2</sup> 0**   | BD- 2 AFMM-QL8DXX*<br>BD- 2 AFMM-QR8DXX*   | BD- 2 BFMA-QL8X <sup>1</sup> X <sup>2</sup> 0**   |
| Power | 10A (BB)              | 02,03          | BB- 2 BMFA-QL8X <sup>1</sup> X <sup>2</sup> P**   | BB- 2 AFMM-QL8DXX*<br>BB- 2 AFMM-QR8DXX*   | BB- 2 BFMA-QL8X <sup>1</sup> X <sup>2</sup> P**   |

\*XX: Choose the cable length from 01-99 m

\*\*X<sup>1</sup>X<sup>2</sup>: Seal Size + Package Options  
e.g. (SN) = Seal S + Connector without Contact

X<sup>1</sup>: Seal Size  
(S) 5.0~6.0mm  
(M) 6.0~8.0mm  
(L) 8.0~10.0mm

X<sup>2</sup>: Package Options  
(N) Connector without Contact  
(P) Connector with Contacts

[Contacts are available to be sold in bulk individually. For further information, please refer to page 20-22.]



▾ Middle Size 13/16"-28UNS > Receptacle and Mating Pair

| <ul style="list-style-type: none"> <li>• Male Connector (Housing)</li> <li>• Male Contacts</li> <li>• Push Lock</li> </ul> |                       |             | <p>Receptacle</p>                       | <p>Overmolded with Cable</p>                | <p>Field Installable</p> <p>ASSP- 2 FAC 6<br/>P/N refers to page 20-22</p> |
|--|-----------------------|-------------|---|---|--|
| Group  | Current Rating (Code) | Contacts 2  | Male Connector (M)<br>Male Contacts (M) | Female Connector (F)<br>Female Contacts (F) | Female Connector (F)<br>Female Contacts (F)                                |
| Data   | 5A (CD)               | 08,09,10,12 | CD- 2 PMMS-QC8001                       | CD- 2 AFFM-QL8DXX*<br>CD- 2 AFFM-QR8DXX*    | CD- 2 BFFA-QL8X <sup>1</sup> X <sup>2</sup> 0**                            |
|  | 10A (CB)              | 04,05,06    | CB- 2 PMMS-QC8001                       | CB- 2 AFFM-QL8DXX*                          | CB- 2 BFFA-QL8X <sup>1</sup> X <sup>2</sup> 0**                            |
| Power  | 20A (CC)              | 02,03       | CC- 2 PMMS-QC800P                       | CC- 2 AFFM-QL8EXX*<br>CC- 2 AFFM-QR8EXX*    | CC- 2 BFFA-QL8X <sup>1</sup> X <sup>2</sup> P**                            |
| Hybrid   | 10A+5A (CBD)          | 08          | CBD-08PMMS-QC8001                       | CBD-08AFFM-QL8FXX*<br>CBD-08AFFM-QR8FXX*    | -  |

▾ Middle Size 13/16"-28UNS > Receptacle and Mating Pair

| <ul style="list-style-type: none"> <li>• Male Connector (Housing)</li> <li>• Male Contacts</li> <li>• Push Lock</li> </ul> |                       |            | <p>Receptacle</p>                         | <p>Overmolded with Cable</p>              | <p>Field Installable</p> <p>ASSP- 2 FAC 6<br/>P/N refers to page 20-22</p> |
|--|-----------------------|------------|---|---|--|
| Group  | Current Rating (Code) | Contacts 2 | Male Connector (M)<br>Female Contacts (F) | Female Connector (F)<br>Male Contacts (M) | Female Connector (F)<br>Male Contacts (M)                                  |
| Data   | 5A (CD)               | 07,08,09   | CD- 2 PMFS-QC8001                         | CD- 2 AFMM-QL8DXX*<br>CD- 2 AFMM-QR8DXX*  | CD- 2 BFMA-QL8X <sup>1</sup> X <sup>2</sup> 0**                            |
|  | 10A (CB)              | 04,05      | CB- 2 PMFS-QC8001                         | CB- 2 AFMM-QL8DXX*<br>CB- 2 AFMM-QL8DXX*  | CB- 2 BFMA-QL8X <sup>1</sup> X <sup>2</sup> 0**                            |
| Power  | 20A (CC)              | 02,03      | CC- 2 PMFS-QC800P                         | CC- 2 AFMM-QL8EXX*<br>CC- 2 AFMM-QR8EXX*  | CC- 2 BFMA-QL8X <sup>1</sup> X <sup>2</sup> P**                            |
| Hybrid   | 10A+5A (CBD)          | 08         | CBD-08PMFS-QC8001                         | CBD-08AFMM-QL8FXX*<br>CBD-08AFMM-QR8FXX*  | -  |

\*XX: Choose the cable length from 01-99 m

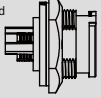
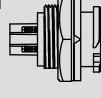
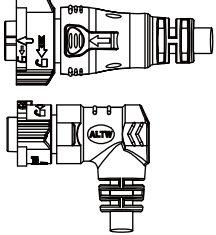
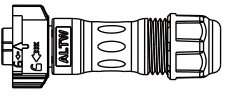

\*\*X<sup>1</sup>X<sup>2</sup>: Seal Size + Package Options  
e.g. (SN) = Seal S + Connector without Contact

X<sup>1</sup>: Seal Size  
(S) 6.0-8.0mm (N) Connector without Contact  
(M) 8.0-10.0mm (P) Connector with Contacts  
(L) 10.0-12.0mm

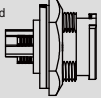
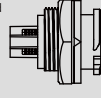
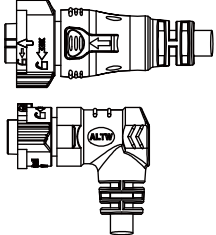

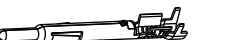
[Contacts are available to be sold in bulk individually. For further information, please refer to page 20-22.]

[Note] Design and specification are subject to change without notice.

▾ Middle Size 13/16"-28UNS > Receptacle and Mating Pair

| <ul style="list-style-type: none"> <li>• Male Connector (Housing)</li> <li>• Male Contacts</li> <li>• Push Lock</li> </ul> |                       |             | <p>Receptacle</p> <p>Front Fastened</p>  <p>Rear Fastened</p>  | <p>Overmolded with Cable</p>  | <p>Field Installable</p>   <p>ASSP- 2 FAC 6<br/>P/N refers to page 20-22</p> |
|--|-----------------------|-------------|--|---|--|
| Group  | Current Rating (Code) | Contacts 2  | Male Connector (M)<br>Male Contacts (M)  | Female Connector (F)<br>Female Contacts (F)   | Female Connector (F)<br>Female Contacts (F)  |
| Data   | 5A (CD)               | 08,09,10,12 | CD- 2 PMMS-QC8001<br>CD- 2 RMMS-QC8001   | CD- 2 AFFM-QL8DXX*<br>CD- 2 AFFM-QR8DXX*  | CD- 2 BFFA-QL8X <sup>1</sup> X <sup>2</sup> 0**  |
|  | 10A (CB)              | 04,05,06    | CB- 2 PMMS-QC8001<br>CB- 2 RMMS-QC8001   | CB- 2 AFFM-QL8DXX*  | CB- 2 BFFA-QL8X <sup>1</sup> X <sup>2</sup> 0**  |
| Power  | 20A (CC)              | 02,03       | CC- 2 PMMS-QC800P<br>CC- 2 RMMS-QC800P   | CC- 2 AFFM-QL8EXX*<br>CC- 2 AFFM-QR8EXX*  | CC- 2 BFFA-QL8X <sup>1</sup> X <sup>2</sup> P**  |
| Hybrid   | 10A+5A (CBD)          | 08          | CBD-08PMMS-QC8001<br>CBD-08RMMS-QC8001   | CBD-08AFFM-QL8FXX*<br>CBD-08AFFM-QR8FXX*  | -  |

▾ Middle Size 13/16"-28UNS > Receptacle and Mating Pair

| <ul style="list-style-type: none"> <li>• Male Connector (Housing)</li> <li>• Female Contacts</li> <li>• Push Lock</li> </ul> |                       |             | <p>Receptacle</p> <p>Front Fastened</p>  <p>Rear Fastened</p>  | <p>Overmolded with Cable</p>  | <p>Field Installable</p>   <p>ASSP- 2 FAC 6<br/>P/N refers to page 20-22</p> |
|--|-----------------------|-------------|--|---|--|
| Group  | Current Rating (Code) | Contacts 2  | Male Connector (M)<br>Female Contacts (F)  | Female Connector (F)<br>Male Contacts (M)   | Female Connector (F)<br>Male Contacts (M)  |
| Data   | 5A (CD)               | 08,09,10,12 | CD- 2 PMFS-QC8001<br>CD- 2 RMFS-QC8001   | CD- 2 AFMM-QL8DXX*<br>CD- 2 AFMM-QR8DXX*  | CD- 2 BFMA-QL8X <sup>1</sup> X <sup>2</sup> 0**  |
|  | 10A (CB)              | 04,05,06    | CB- 2 PMFS-QC8001<br>CB- 2 RMFS-QC8001   | CB- 2 AFMM-QL8DXX*  | CB- 2 BFMA-QL8X <sup>1</sup> X <sup>2</sup> 0**  |
| Power  | 20A (CC)              | 02,03       | CC- 2 PMFS-QC800P<br>CC- 2 RMFS-QC800P   | CC- 2 AFMM-QL8EXX*<br>CC- 2 AFMM-QR8EXX*  | CC- 2 BFMA-QL8X <sup>1</sup> X <sup>2</sup> P**  |
| Hybrid   | 10A+5A (CBD)          | 08          | CBD-08PMFS-QC8001<br>CBD-08RMFS-QC8001   | CBD-08AFMM-QL8FXX*<br>CBD-08AFMM-QR8FXX*  | -  |

\*XX: Choose the cable length from 01-99 m

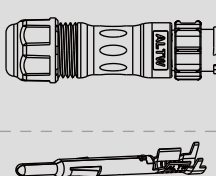
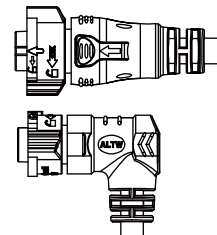
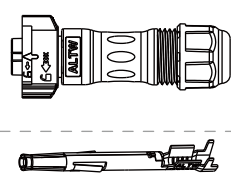
\*\*X<sup>1</sup>X<sup>2</sup>: Seal Size + Package Options  
e.g. (SN) = Seal S + Connector without Contact

X<sup>1</sup>: Seal Size  
(S) 6.0-8.0mm  
(M) 8.0-10.0mm  
(L) 10.0-12.0mm

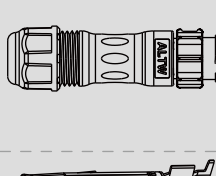
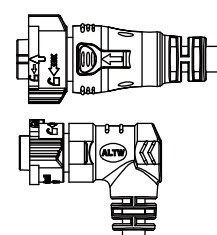
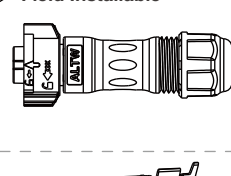
X<sup>2</sup>: Package Options  
(N) Connector without Contact  
(P) Connector with Contacts

[Contacts are available to be sold in bulk individually. For further information, please refer to page 20-22.]

▾ Middle Size 13/16"-28UNS > In-Line

| <ul style="list-style-type: none"> <li>• Male Connector (Housing)</li> <li>• Male Contacts</li> <li>• Push Lock</li> </ul> |                       |             | <p>Field Installable -----&gt;</p>  <p>ASSP- 2 FAC 6<br/>P/N refers to page xxx</p> | <p>-----&gt; Overmolded with Cable</p>  | <p>-----&gt; Field Installable</p>  <p>ASSP- 2 FAC 6<br/>P/N refers to page 20-22</p> |
|--|-----------------------|-------------|--|---|--|
| Group  | Current Rating (Code) | Contacts 2  | Male Connector (M)<br>Male Contacts (M)  | Female Connector (F)<br>Female Contacts (F)   | Female Connector (F)<br>Female Contacts (F)  |
| Data   | 5A (CD)               | 08,09,10,12 | CD- 2 BMMA-QL8X <sup>1</sup> X <sup>2</sup> 0**  | CD- 2 AFFM-QL8DXX*<br>CD- 2 AFFM-QR8DXX*  | CD- 2 BFFA-QL8X <sup>1</sup> X <sup>2</sup> 0**  |
|  | 10A (CB)              | 04,05,06    | CB- 2 BMMA-QL8X <sup>1</sup> X <sup>2</sup> 0**  | CB- 2 AFFM-QL8DXX*  | CB- 2 BFFA-QL8X <sup>1</sup> X <sup>2</sup> 0**  |
| Power  | 20A (CC)              | 02,03       | CC- 2 BMMA-QL8X <sup>1</sup> X <sup>2</sup> P**  | CC- 2 AFFM-QL8EXX*<br>CC- 2 AFFM-QR8EXX*  | CC- 2 BFFA-QL8X <sup>1</sup> X <sup>2</sup> P**  |

▾ Middle Size 13/16"-28UNS > In-Line

| <ul style="list-style-type: none"> <li>• Male Connector (Housing)</li> <li>• Male Contacts</li> <li>• Push Lock</li> </ul> |                       |            | <p>Field Installable -----&gt;</p>  <p>ASSP- 2 FAC 6<br/>P/N refers to page xxx</p> | <p>-----&gt; Overmolded with Cable</p>  | <p>-----&gt; Field Installable</p>  <p>ASSP- 2 FAC 6<br/>P/N refers to page 20-22</p> |
|--|-----------------------|------------|--|---|--|
| Group  | Current Rating (Code) | Contacts 2 | Male Connector (M)<br>Female Contacts (F)  | Female Connector (F)<br>Male Contacts (M)   | Female Connector (F)<br>Male Contacts (M)  |
| Data   | 5A (CD)               | 07,08,09   | CD- 2 BMFA-QL8X <sup>1</sup> X <sup>2</sup> 0**  | CD- 2 AFMM-QL8DXX*<br>CD- 2 AFMM-QR8DXX*  | CD- 2 BFMA-QL8X <sup>1</sup> X <sup>2</sup> 0**  |
|  | 10A (CB)              | 04,05      | CB- 2 BMFA-QL8X <sup>1</sup> X <sup>2</sup> 0**  | CD- 2 AFMM-QL8DXX*<br>CD- 2 AFMM-QR8DXX*  | CB- 2 BFMA-QL8X <sup>1</sup> X <sup>2</sup> 0**  |
| Power  | 20A (CC)              | 02,03      | CC- 2 BMFA-QL8X <sup>1</sup> X <sup>2</sup> P**  | CC- 2 AFMM-QL8EXX*<br>CC- 2 AFMM-QR8EXX*  | CC- 2 BFMA-QL8X <sup>1</sup> X <sup>2</sup> P**  |

\*\*X<sup>1</sup>X<sup>2</sup>: Choose the cable length from 01-99 m

\*\*X<sup>1</sup>X<sup>2</sup>: Seal Size + Package Options  
e.g. (SN) = Seal S + Connector without Contact

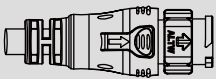
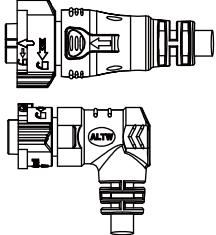
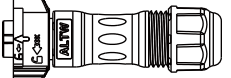
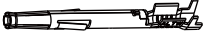
X<sup>1</sup>: Seal Size  
(S) 6.0-8.0mm  
(M) 8.0-10.0mm  
(L) 10.0-12.0mm

X<sup>2</sup>: Package Options  
(N) Connector without Contact  
(P) Connector with Contacts

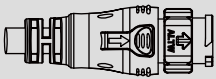
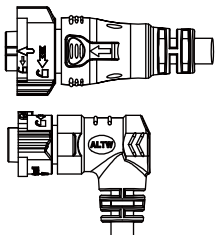
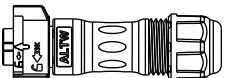

[Contacts are available to be sold in bulk individually. For further information, please refer to page 20-22.]

[Note] Design and specification are subject to change without notice.

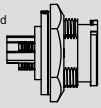
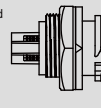
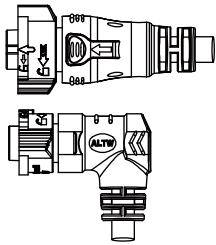
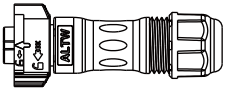

∟ Large Size 1"-20UNEF > In-Line

|  |                       |            |  |   |   |
|--|-----------------------|------------|--|---|---|
| <ul style="list-style-type: none"> <li>• Male Connector (Housing)</li> <li>• Male Contacts</li> <li>• Push Lock</li> </ul> |                       |            | Overmolded with Cable<br> | Overmolded with Cable<br> | Field Installable<br><br><br>ASSP-2 FAC 6<br>P/N refers to page 20-22 |
| Group  | Current Rating (Code) | Contacts 2 | Male Connector (M)<br>Male Contacts (M)  | Female Connector (F)<br>Female Contacts (F)   | Female Connector (F)<br>Female Contacts (F)   |
| Data   | 5A (DD)               | 14, 18     | DD- 2 AMMM-QL8DXX*   | DD- 2 AFFM-QL8DXX*<br>DD- 2 AFFM-QL8DXX*  | DD- 2 BFFA-QL8X <sup>1</sup> X <sup>2</sup> 0**   |
| Power  | 20A (DC)              | 02,03,05   | DC- 2 AMMM-QL8EXX*   | DC- 2 AFFM-QL8EXX*<br>DC- 2 AFFM-QL8EXX*  | DC- 2 BFFA-QL8X <sup>1</sup> X <sup>2</sup> P**   |
| Hybrid   | 20A+5A (DCD)          | 12         | DCD- 2 AMMM-QL8FXX*  | DCD- 2 AFFM-QL8FXX*<br>DCD- 2 AFFM-QL8FXX*  | -   |

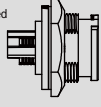
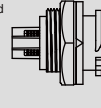
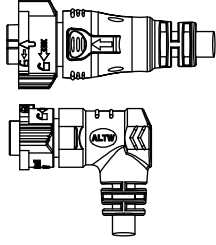


∟ Large Size 1"-20UNEF > In-Line

|  |                       |            |  |   |   |
|--|-----------------------|------------|--|---|---|
| <ul style="list-style-type: none"> <li>• Male Connector (Housing)</li> <li>• Female Contacts</li> <li>• Push Lock</li> </ul> |                       |            | Overmolded with Cable<br> | Overmolded with Cable<br> | Field Installable<br><br><br>ASSP-2 FAC 6<br>P/N refers to page 20-22 |
| Group  | Current Rating (Code) | Contacts 2 | Male Connector (M)<br>Female Contacts (F)  | Female Connector (F)<br>Male Contacts (M)   | Female Connector (F)<br>Male Contacts (M)   |
| Data   | 5A (DD)               | 12, 14, 18 | DD- 2 AMFM-QL8DXX*   | DD- 2 AFMM-QL8DXX*<br>DD- 2 AFMM-QL8DXX*  | DD- 2 BFMA-QL8X <sup>1</sup> X <sup>2</sup> 0**   |
| Power  | 20A (DC)              | 02,03,05   | DC- 2 AMFM-QL8EXX*   | DC- 2 AFMM-QL8EXX*<br>DC- 2 AFMM-QL8EXX*  | DC- 2 BFMA-QL8X <sup>1</sup> X <sup>2</sup> P**   |
| Hybrid   | 20A+5A (DCD)          | 12         | DCD- 2 AMFM-QL8FXX*  | DCD- 2 AFMM-QL8FXX*<br>DCD- 2 AFMM-QL8FXX*  | -   |

Large Size 1"-20UNEF > Receptacle and Mating Pair

| <ul style="list-style-type: none"> <li>• Male Connector (Housing)</li> <li>• Male Contacts</li> <li>• Push Lock</li> </ul> |                       |            | <p>Receptacle</p> <p>Front Fastened</p>  <p>Rear Fastened</p>  | <p>Overmolded with Cable</p>  | <p>Field Installable</p>   <p>ASSP- 2 FAC 6<br/>P/N refers to page 20-22</p> |
|--|-----------------------|------------|--|---|--|
| Group  | Current Rating (Code) | Contacts 2 | Male Connector (M)<br>Male Contacts (M)  | Female Connector (F)<br>Female Contacts (F)   | Female Connector (F)<br>Female Contacts (F)  |
| Data   | 5A (CD)               | 14, 18     | DD- 2 PMMS-QC8001<br>DD- 2 RMMS-QC8001   | DD- 2 AFFM-QL8DXX*<br>DD- 2 AFFM-QR8DXX*  | DD- 2 BFFA-QL8X <sup>1</sup> X <sup>2</sup> 0**  |
| Power  | 10A (DC)              | 02,03,05   | DC- 2 PMMS-QC800P<br>DC- 2 RMMS-QC800P   | DC- 2 AFFM-QL8DXX*  | DC- 2 BFFA-QL8X <sup>1</sup> X <sup>2</sup> P**  |
| Hybrid   | 20A+5A (DCD)          | 12         | DCD- 2 PMMS-QC8001<br>DCD- 2 RMMS-QC8001   | DCD- 2 AFFM-QL8EXX*<br>DCD- 2 AFFM-QR8EXX*  | -  |

Large Size 1"-20UNEF > Receptacle and Mating Pair

| <ul style="list-style-type: none"> <li>• Male Connector (Housing)</li> <li>• Female Contacts</li> <li>• Push Lock</li> </ul> |                       |            | <p>Receptacle</p> <p>Front Fastened</p>  <p>Rear Fastened</p>  | <p>Overmolded with Cable</p>  | <p>Field Installable</p>   <p>ASSP- 2 FAC 6<br/>P/N refers to page 20-22</p> |
|--|-----------------------|------------|--|---|--|
| Group  | Current Rating (Code) | Contacts 2 | Male Connector (M)<br>Female Contacts (F)  | Female Connector (F)<br>Male Contacts (M)   | Female Connector (F)<br>Male Contacts (M)  |
| Data   | 5A (CD)               | 12, 14, 18 | DD- 2 PMFS-QC8001<br>DD- 2 RMFS-QC8001   | DD- 2 AFMM-QL8DXX*<br>DD- 2 AFMM-QR8DXX*  | DD- 2 BFMA-QL8X <sup>1</sup> X <sup>2</sup> 0**  |
| Power  | 10A (DC)              | 02,03,05   | DC- 2 PMFS-QC800P<br>DC- 2 RMFS-QC800P   | DC- 2 AFMM-QL8DXX*  | DC- 2 BFMA-QL8X <sup>1</sup> X <sup>2</sup> P**  |
| Hybrid   | 20A+5A (DCD)          | 12         | DCD- 2 PMFS-QC8001<br>DCD- 2 RMFS-QC8001   | DCD- 2 AFMM-QL8EXX*<br>DCD- 2 AFMM-QR8EXX*  | -  |

\*XX: Choose the cable length from 01-99 m

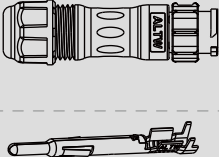
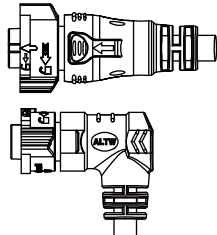
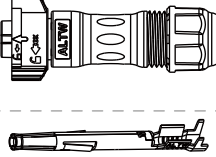
\*\*X<sup>1</sup>X<sup>2</sup>: Seal Size + Package Options  
e.g. (SN) = Seal S + Connector without Contact

X<sup>1</sup>: Seal Size (S) 8.0-10.0mm (M) 10.0-12.0mm (L) 12.0-14.0mm  
X<sup>2</sup>: Package Options (N) Connector without Contact (P) Connector with Contacts

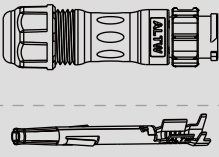
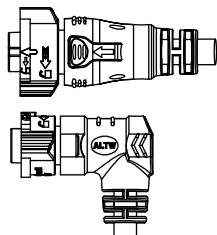
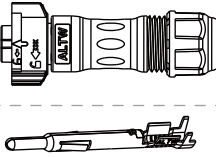
[Contacts are available to be sold in bulk individually. For further information, please refer to page 20-22.]

[Note] Design and specification are subject to change without notice.

Large Size 1"-20UNEF > In-Line

|  |                       |            |  |   |  |
|--|-----------------------|------------|--|---|--|
| <ul style="list-style-type: none"> <li>• Male Connector (Housing)</li> <li>• Male Contacts</li> <li>• Push Lock</li> </ul> |                       |            | <p>Field Installable</p>  <p>ASSP- 2 FAC 6<br/>P/N refers to page xxx</p> | <p>Overmolded with Cable</p>  | <p>Field Installable</p>  <p>ASSP- 2 FAC 6<br/>P/N refers to page 20-22</p> |
| Group  | Current Rating (Code) | Contacts 2 | Male Connector (M)<br>Male Contacts (M)  | Female Connector (F)<br>Female Contacts (F)   | Female Connector (F)<br>Female Contacts (F)  |
| Data   | 5A (DD)               | 14, 18     | DD- 2 BMMA-QL8X <sup>1</sup> X <sup>2</sup> 0**  | DD- 2 AFFM-QL8DXX*<br>DD- 2 AFFM-QR8DXX*  | DD- 2 BFFA-QL8X <sup>1</sup> X <sup>2</sup> 0**  |
| Power  | 20A (DC)              | 02,03,05   | DC- 2 BMMA-QL8X <sup>1</sup> X <sup>2</sup> P**  | DC- 2 AFFM-QL8DXX*<br>DC- 2 AFFM-QR8DXX*  | DC- 2 BFFA-QL8X <sup>1</sup> X <sup>2</sup> P**  |

Large Size 1"-20UNEF > In-Line

|  |                       |            |   |  |   |
|--|-----------------------|------------|---|--|---|
| <ul style="list-style-type: none"> <li>• Male Connector (Housing)</li> <li>• Female Contacts</li> <li>• Push Lock</li> </ul> |                       |            | <p>Field Installable</p>  <p>ASSP- 2 FAC 6<br/>P/N refers to page xxx</p> | <p>Overmolded with Cable</p>  | <p>Field Installable</p>  <p>ASSP- 2 FAC 6<br/>P/N refers to page 20-22</p> |
| Group  | Current Rating (Code) | Contacts 2 | Male Connector (M)<br>Female Contacts (F)   | Female Connector (F)<br>Male Contacts (M)  | Female Connector (F)<br>Male Contacts (M)   |
| Data   | 5A (DD)               | 12, 14, 18 | DD- 2 BMFA-QL8X <sup>1</sup> X <sup>2</sup> 0**   | DD- 2 AFMM-QL8DXX*<br>DD- 2 AFMM-QR8DXX*   | DD- 2 BFMA-QL8X <sup>1</sup> X <sup>2</sup> 0**   |
| Power  | 10A (DC)              | 02,03,05   | DC- 2 BMFA-QL8X <sup>1</sup> X <sup>2</sup> P**   | DC- 2 AFMM-QL8DXX*<br>DC- 2 AFMM-QR8DXX*   | DC- 2 BFMA-QL8X <sup>1</sup> X <sup>2</sup> P**   |

\*XX: Choose the cable length from 01-99 m


\*\*X<sup>1</sup>X<sup>2</sup>: Seal Size + Package Options  
e.g. (SN) = Seal S + Connector without Contact

X<sup>1</sup>: Seal Size X<sup>2</sup>: Package Options  
(S) 8.0-10.0mm (N) Connector without Contact  
(M) 10.0-12.0mm (P) Connector with Contacts  
(L) 12.0-14.0mm

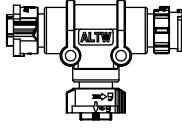
[Contacts are available to be sold in bulk individually. For further information, please refer to page 20-22.]

### ∨ I-Adaptor, T-Adaptor & T-Cable

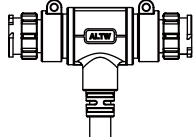
Customization - Upon Request



I-Adaptor



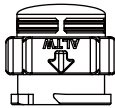
T-Adaptor




T-Cable

### ∨ Waterproof Cap

For female connector



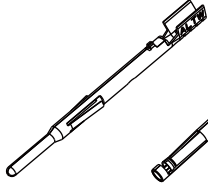
For male connector



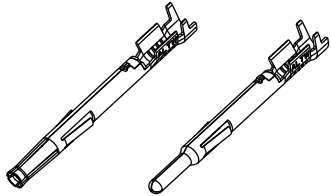
- 3 More to choose: None (MA) / With Rubber Lead (PC)
- 4 More to choose: None (MA) / With Fish Line (CD)
- 5 More to choose: None (A) / With Fish Line (D)

| Size                         | Mating Pair           | Mating Style | Mating Pair (Gender) | P/N  |
|------------------------------|-----------------------|--------------|----------------------|--|
| Standard Size<br>5/8"-27 UNS | Receptacle            | Push Lock    | Male                 | CAP-WABMQ <span style="border: 1px solid black; border-radius: 50%; padding: 1px;">3</span> 1  |
|                              | Overmolded with cable | Push Lock    | Female               | CAP-WABFQ <span style="border: 1px solid black; border-radius: 50%; padding: 1px;">4</span> 1  |
|                              |                       |              | Male                 | CAP-WABMQM <span style="border: 1px solid black; border-radius: 50%; padding: 1px;">5</span> 1   |
| Middle Size<br>13/16"-28 UNS | Receptacle            | Push Lock    | Male                 | CAP-WACMQ <span style="border: 1px solid black; border-radius: 50%; padding: 1px;">3</span> 1<br>CAP-WACMQ <span style="border: 1px solid black; border-radius: 50%; padding: 1px;">3</span> 2   |
|                              | Overmolded with cable | Push Lock    | Female               | CAP-WACFQ <span style="border: 1px solid black; border-radius: 50%; padding: 1px;">4</span> 1  |
|                              |                       |              | Male                 | CAP-WACMQM <span style="border: 1px solid black; border-radius: 50%; padding: 1px;">5</span> 1   |
|                              |                       |              |                      | CAP-WACMQM <span style="border: 1px solid black; border-radius: 50%; padding: 1px;">5</span> 2   |
| Large Size<br>1/20" UNEF     | Receptacle            | Push Lock    | Male                 | CAP-WADMQ <span style="border: 1px solid black; border-radius: 50%; padding: 1px;">3</span> 1<br>CAP-WADMQ <span style="border: 1px solid black; border-radius: 50%; padding: 1px;">3</span> 2   |
|                              | Overmolded with cable | Push Lock    | Female               | CAP-WADFQ <span style="border: 1px solid black; border-radius: 50%; padding: 1px;">4</span> 1  |
|                              |                       |              | Male                 | CAP-WADMQM <span style="border: 1px solid black; border-radius: 50%; padding: 1px;">5</span> 1<br>CAP-WADMQM <span style="border: 1px solid black; border-radius: 50%; padding: 1px;">5</span> 2 |

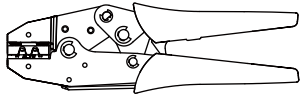
### ∨ Contacts & Crimp Tool



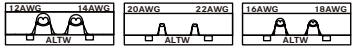
5A



10A/20A



Crimp Tool



| Current Rating <span style="border: 1px solid black; border-radius: 50%; padding: 1px;">2</span> | Contact Gender | P/N  | Packages <span style="border: 1px solid black; border-radius: 50%; padding: 1px;">6</span>   | Crimp Tool                       |
|--|----------------|--|--|----------------------------------|
| 5A <span style="border: 1px solid black; border-radius: 50%; padding: 1px;">05</span>            | Male           | ASSP-05MAC <span style="border: 1px solid black; border-radius: 50%; padding: 1px;">6</span> | <b>(SA)</b> 50pcs / Bulk<br><b>(SB)</b> 100pcs / Bulk<br><b>(SC)</b> 500pcs / Bulk<br><b>(SD)</b> 1000pcs / Bulk<br><b>(RE)</b> 3000pcs / Bulk | ASST-C-05-W-A<br>(20AWG ~ 22AWG) |
|  | Female         | ASSP-05FAC <span style="border: 1px solid black; border-radius: 50%; padding: 1px;">6</span> |  | ASST-C-10-W-B<br>(16AWG ~ 18AWG) |
| 10A <span style="border: 1px solid black; border-radius: 50%; padding: 1px;">10</span>           | Male           | ASSP-10MAC <span style="border: 1px solid black; border-radius: 50%; padding: 1px;">6</span> |  | ASST-C-20-W-C<br>(12AWG ~ 14AWG) |
|  | Female         | ASSP-10FAC <span style="border: 1px solid black; border-radius: 50%; padding: 1px;">6</span> |  |                                  |
| 20A <span style="border: 1px solid black; border-radius: 50%; padding: 1px;">20</span>           | Male           | ASSP-20MAC <span style="border: 1px solid black; border-radius: 50%; padding: 1px;">6</span> |  |                                  |
|  | Female         | ASSP-20FAC <span style="border: 1px solid black; border-radius: 50%; padding: 1px;">6</span> |  |                                  |

[Note] Design and specification are subject to change without notice.

**Amphenol LTW Technology Co., Ltd.**

5F-3, No.51, Sec.4, Zhongyang Rd., Tucheng Dist., New Taipei City 236, Taiwan  
Telephone: +886-2-77416888 Fax: +886-2-77416999  
[www.amphenolltw.com](http://www.amphenolltw.com)

**Kunshan Factory**

No. 62, DaTong Road, Development Zone, Kunshan City, JiangSu Province, 215333 China  
Telephone: +86-512-5761-0501  
Fax: : +86-512-5761-0515

**For further information, please contact :**

Sales & Marketing Department | Email : [sales@ltw-tech.com](mailto:sales@ltw-tech.com)



Компания «Океан Электроники» предлагает заключение долгосрочных отношений при поставках импортных электронных компонентов на взаимовыгодных условиях!

Наши преимущества:

- Поставка оригинальных импортных электронных компонентов напрямую с производств Америки, Европы и Азии, а так же с крупнейших складов мира;
- Широкая линейка поставок активных и пассивных импортных электронных компонентов (более 30 млн. наименований);
- Поставка сложных, дефицитных, либо снятых с производства позиций;
- Оперативные сроки поставки под заказ (от 5 рабочих дней);
- Экспресс доставка в любую точку России;
- Помощь Конструкторского Отдела и консультации квалифицированных инженеров;
- Техническая поддержка проекта, помощь в подборе аналогов, поставка прототипов;
- Поставка электронных компонентов под контролем ВП;
- Система менеджмента качества сертифицирована по Международному стандарту ISO 9001;
- При необходимости вся продукция военного и аэрокосмического назначения проходит испытания и сертификацию в лаборатории (по согласованию с заказчиком);
- Поставка специализированных компонентов военного и аэрокосмического уровня качества (Xilinx, Altera, Analog Devices, Intersil, Interpoint, Microsemi, Actel, Aeroflex, Peregrine, VPT, Syfer, Eurofarad, Texas Instruments, MS Kennedy, Miteq, Cobham, E2V, MA-COM, Hittite, Mini-Circuits, General Dynamics и др.);

Компания «Океан Электроники» является официальным дистрибьютором и эксклюзивным представителем в России одного из крупнейших производителей разъемов военного и аэрокосмического назначения «JONHON», а так же официальным дистрибьютором и эксклюзивным представителем в России производителя высокотехнологичных и надежных решений для передачи СВЧ сигналов «FORSTAR».



## JONHON

«JONHON» (основан в 1970 г.)

Разъемы специального, военного и аэрокосмического назначения:

(Применяются в военной, авиационной, аэрокосмической, морской, железнодорожной, горно- и нефтедобывающей отраслях промышленности)

«FORSTAR» (основан в 1998 г.)

ВЧ соединители, коаксиальные кабели, кабельные сборки и микроволновые компоненты:

(Применяются в телекоммуникациях гражданского и специального назначения, в средствах связи, РЛС, а так же военной, авиационной и аэрокосмической отраслях промышленности).



Телефон: 8 (812) 309-75-97 (многоканальный)

Факс: 8 (812) 320-03-32

Электронная почта: [ocean@oceanchips.ru](mailto:ocean@oceanchips.ru)

Web: <http://oceanchips.ru/>

Адрес: 198099, г. Санкт-Петербург, ул. Калинина, д. 2, корп. 4, лит. А