



CATALOGUE

X-Lok Connector

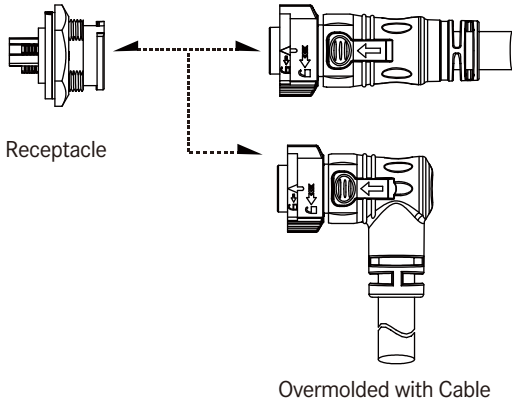




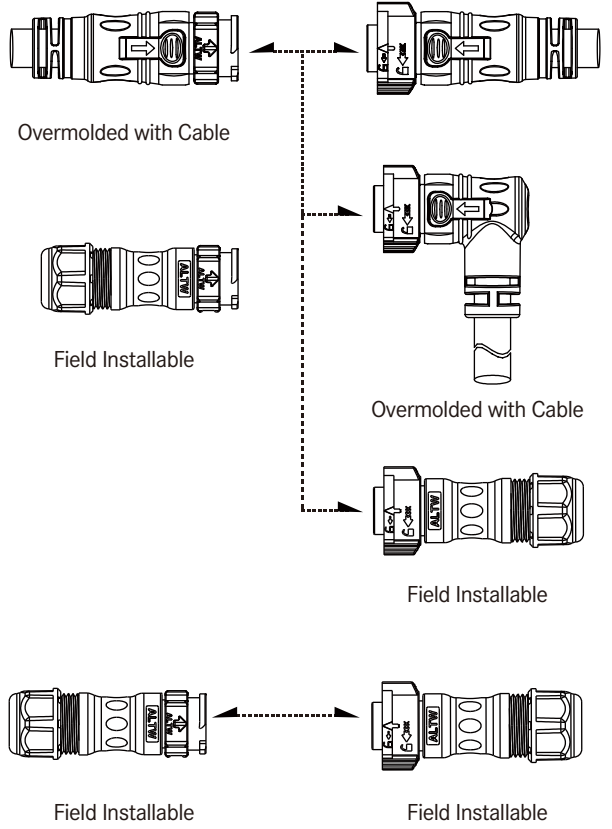
【Note】 Design and specification are subject to change without notice.

Range Overview

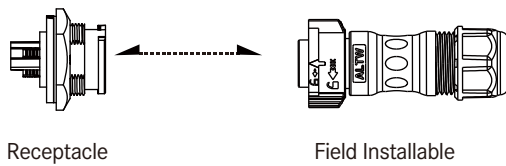
Receptacle to Overmolded with Cable



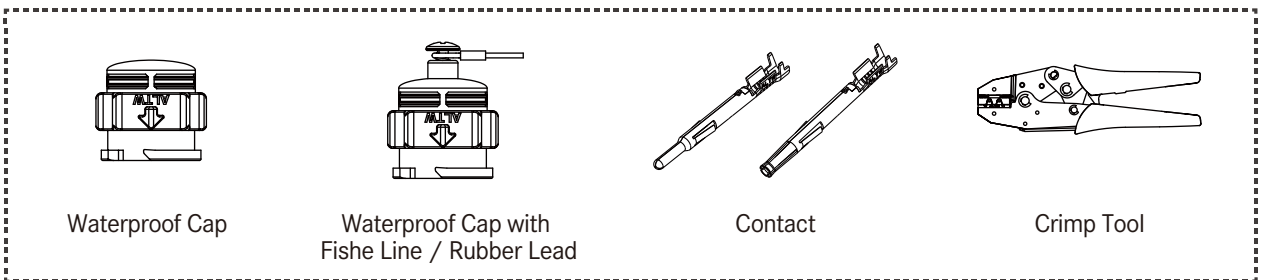
In-Line



Receptacle to Field Installable



Accessories



Specification

| | |
|-------------------------------------|---|
| Identifications | Power Group (B,C,D size) Data Group (B,C,D size) Hybrid Group (B,C,D size) |
| Mating Style | Push Lock |
| Description | Receptacle Overmolded with Cable Field Installable |
| Current Rating / Data | B size (5A, 10A, 10A+5A) C size (5A, 10A, 20A, 10A+5A) D size (5A, 20A, 20A+5A) |
| Material | Contacts: Copper Alloy, Gold Plated Connector Body (Housing) : Nylon+GF, UL Recognized Gasket & O-ring: Rubber, UL Recognized |
| Waterproof Rating | IP68 |
| Temperature Range | Receptacle: -40°C~105°C Overmolded With Cable: <ul style="list-style-type: none"> • Date Group: -20°C~80°C • Power Group: -20°C~105°C • Hybrid Group: -40°C~105°C Field Installable: -40°C~105°C |
| Contact Resistance | ≤10mΩ |
| Insulation Resistance | ≥100MΩ at DC500V |
| Durability | 1000 cycles |
| Dielectric Withstand Voltage | 1,000V plus 2 times the rated voltage / 1 minute |
| More to know | Standard Cable Length: 01~99M |

【Note】 Design and specification are subject to change without notice.

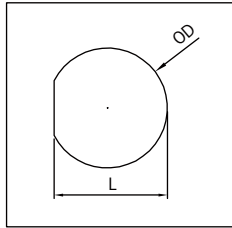
Ordering Information

| Specification / Current Rating | | | 1 | 2 | 3 | 4 | 5 | 6 | 7 | 8 | 9 | 10 | | |
|--|---|-------------------------------------|---|---|---|---|---|---|--|---|---|--|--|--|
| <u>≥ Standard Size</u> | <u>≥ Middle Size</u> | <u>≥ Large Size</u> | | | | | | | | | | | | |
| (BD) 5A (BB) 10A (BBB) 10A+5A | (CD) 5A (CB) 10A (CC) 20A (CBD) 10A+5A | (DD) 5A (DC) 20A (DCD) 20A+5A | | | | | | | | | | | | |
| Number of Contacts 02, 03.... e.g. (02) = 2 Contacts | | | | | | | | | | | | | | |
| Connector Body (Style) <u>≥ For Receptacle</u> (P) Front Fastened (R) Rear Fastened | | | <u>≥ For Overmolded with Cable</u> (A) With Strain Relief | | | <u>≥ For Field Installable</u> (B) With Strain Relief | | | | | | | | |
| Connector (Housing) Gender (M) Male Connector (F) Female Connector | | | | | | | | | | | | | | |
| Contact Gender (M) Male (F) Female | | | | | | | | | | | | | | |
| Assemble Style <u>≥ For Receptacle</u> (S) Solder Type (B) Screw in Type | | | <u>≥ For Overmolded with Cable</u> (M) Overmolded with Cable | | | <u>≥ For Field Installable</u> (A) Crimp Type | | | | | | | | |
| Mating Style (Q) Push Lock | | | | | | | | | | | | | | |
| Backshell <u>≥ For Receptacle</u> (C) Circular (S) Square | | | <u>≥ For Overmolded with Cable</u> (L) Straight (R) Right Angle | | | | | | | | | | | |
| Waterproof Rating (8) IP68 | | | | | | | | | | | | | | |
| More Information <u>≥ For Receptacle</u> (001), (002) For Data Group & Different Versions (00P) For Power Group | | | <u>≥ For Overmolded with Cable</u> (□)+(■) : Cable Type + Cable Length e.g. (A01) = UL2464 Cable + 1M (□) : Cable Type (A) UL2464 Cable - Upon request (D) UL21388 Cable - Data Group (E) UL SJTW Cable - Power Group (F) UL21996 Cable - Hybrid Group | | | <u>≥ For Field Installable</u> (□)+(■)+(○) : Seal Size + Package Options + Application e.g. (SN0) = Seal S + Connector without Contact + for Data Group (□) : Seal Type B Size: (S) 5.0~6.0mm (M) 6.0~8.0mm (L) 8.0~10.0mm C Size: (S) 6.0~8.0mm (M) 8.0~10.0mm (L) 10.0~12.0mm D Size: (S) 8.0~10.0mm (M) 10.0~12.0mm (L) 12.0~14.0mm | | | (■) : Package Options (N) Connector without Contact* (P) Connector with Contacts * Contacts are available to be sold in bulk individually. For further information, please refer to page 20-22. | | | (○) : Application (O) For Data Group (P) For Power Group | | |

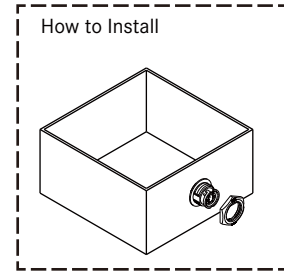
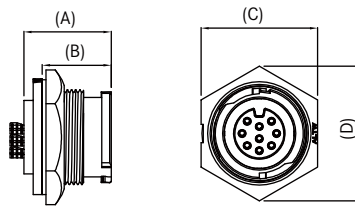
Physical Dimension | Data Group

Receptacle

Panel Cut-out



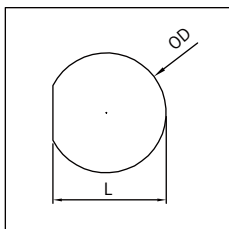
Front Fastened



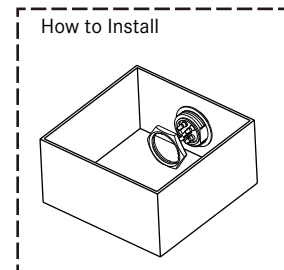
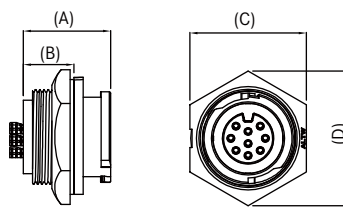
| Size | Current Rating (Code) | L | OD | A | B | C | D | Pannel Thickness Max. |
|------|-----------------------|------|------|------|------|------|------|-----------------------|
| B | 5A (BD) | 14.8 | 15.6 | 18.8 | 14.0 | 20.6 | 23.7 | 4 |
| | 10A (BB) | | | | | | | |
| C | 5A (CD) | 19.4 | 20.8 | 19.0 | 15.0 | 25.4 | 29.3 | 4.2 |
| | 10A (CB) | | | | | | | |
| D | 5A (DD) | 23.6 | 25.6 | 18.0 | 14.9 | 28.6 | 33.0 | 3.6 |

Unit: mm

Panel Cut-out



Rear Fastened

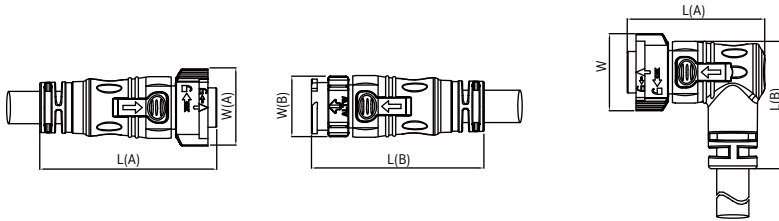


| Size | Current Rating (Code) | L | OD | A | B | C | D | Panel Thickness Max. |
|------|-----------------------|------|------|------|------|------|------|----------------------|
| B | 5A (BD) | 14.8 | 15.6 | 18.6 | 10.8 | 20.6 | 23.7 | 4.5 |
| | 10A (BB) | | | | | | | |
| C | 5A (CD) | 19.4 | 20.8 | 19.0 | 11.0 | 25.4 | 29.3 | 4.2 |
| | 10A (CB) | | | | | | | |
| D | 5A (DD) | 23.6 | 25.6 | 18.0 | 14.9 | 28.6 | 33.0 | 3.6 |

Unit: mm

[Note] Design and specification are subject to change without notice.

∟ **Overmolded With Cable**



| Size | Current Rating (Code) | Straight Style | | | | Right Angle Style | | |
|------|-----------------------|----------------|----------|------------|----------|-------------------|------|------|
| | | L | | W | | L(A) | L(B) | W |
| | | Female (A) | Male (B) | Female (A) | Male (B) | Female | | |
| B | 5A (BD) | 53.4 | 53.0 | 25.0 | 20.1 | 45.2 | 34.5 | 25.0 |
| | 10A (BB) | | | | | | | |
| C | 5A (CD) | 64.2 | 62.7 | 28.0 | 22.4 | 50.0 | 46.2 | 28.0 |
| | 10A (CB) | | | | | | | |
| D | 5A (DD) | 62.4 | 61.8 | 36.0 | 27.0 | 63.0 | 49.5 | 36.0 |

Unit: mm

∟ **Field Installable**



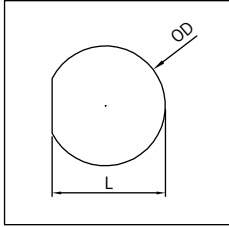
| Size | Current Rating (Code) | Straight Style | | | | Seal Size | | |
|------|-----------------------|----------------|----------|------------|----------|-----------|-----------|-----------|
| | | L | | W | | S | M | L |
| | | Female (A) | Male (B) | Female (A) | Male (B) | | | |
| B | 5A (BD) | 66.2 | 66.0 | 25.0 | 20.0 | 5.0~6.0 | 6.0~8.0 | 8.0~10.0 |
| | 10A (BB) | | | | | | | |
| C | 5A (CD) | 64.2 | 62.7 | 28.0 | 22.4 | 6.0~8.0 | 8.0~10.0 | 10.0~12.0 |
| | 10A (CB) | | | | | | | |
| | 20A (CC) | | | | | | | |
| D | 5A (BD) | 70.2 | 69.0 | 36.0 | 27.0 | 8.0~10.0 | 10.0~12.0 | 12.0~14.0 |
| | 10A (BB) | | | | | | | |

Unit: mm

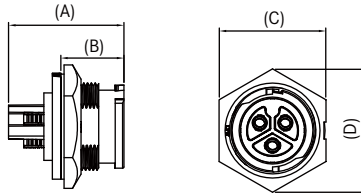
Physical Dimension | Power Group

Receptacle

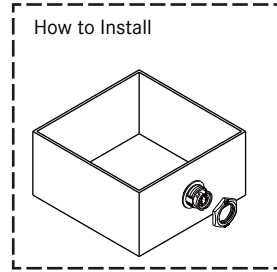
Panel Cut-out



Front Fastened



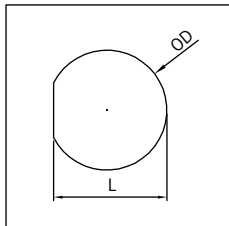
How to Install



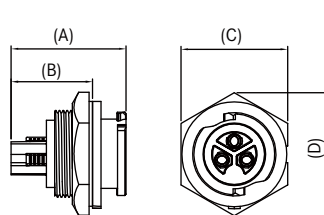
| Size | Current Rating (Code) | L | OD | A | B | C | D | Panel Thickness Max. |
|------|-----------------------|------|------|------|------|------|------|----------------------|
| B | 5A (BD) | 14.8 | 15.6 | 18.8 | 14.0 | 20.6 | 23.7 | 4 |
| | 10A (BB) | | | | | | | |
| C | 20A (CC) | 19.4 | 20.8 | 27.4 | 15.0 | 25.4 | 29.3 | 4.2 |
| D | 20A (DC) | 23.6 | 25.6 | 26.3 | 14.9 | 28.6 | 33.0 | 3.6 |

Unit: mm

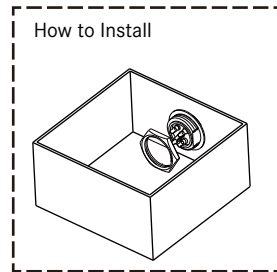
Panel Cut-out



Rear Fastened



How to Install

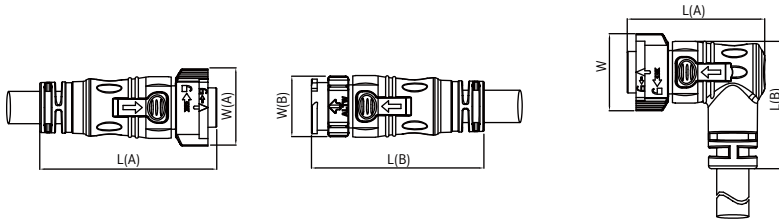


| Size | Current Rating (Code) | L | OD | A | B | C | D | Panel Thickness Max. |
|------|-----------------------|------|------|------|------|------|------|----------------------|
| B | 5A (BD) | 14.8 | 15.6 | 18.6 | 10.8 | 20.6 | 23.7 | 4.5 |
| | 10A (BB) | | | | | | | |
| C | 20A (CC) | 19.4 | 20.8 | 27.4 | 19.4 | 25.4 | 29.3 | 4.2 |
| D | 20A (DC) | 23.6 | 25.6 | 26.3 | 18.1 | 28.6 | 33.0 | 3.6 |

Unit: mm

[Note] Design and specification are subject to change without notice.

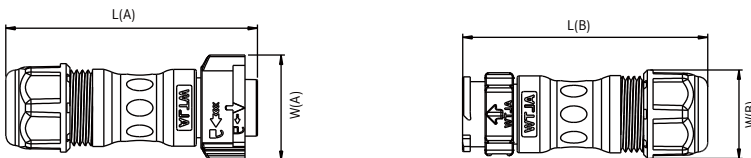
∟ **Overmolded With Cable**



| Size | Current Rating (Code) | Straight Style | | | | Right Angle Style | | |
|------|-----------------------|----------------|----------|------------|----------|-------------------|------|------|
| | | L | | W | | L(A) | L(B) | W |
| | | Female (A) | Male (B) | Female (A) | Male (B) | Female | | |
| B | 5A (BD) | 53.4 | 53.0 | 25.0 | 20.1 | 45.2 | 34.5 | 25.0 |
| | 10A (BB) | | | | | | | |
| C | 5A (CD) | 64.2 | 62.7 | 28.0 | 22.4 | 50.0 | 46.2 | 28.0 |
| | 10A (CB) | | | | | | | |
| D | 5A (DD) | 62.4 | 61.8 | 36.0 | 27.0 | 63.0 | 49.5 | 36.0 |

Unit: mm

∟ **Field Installable**



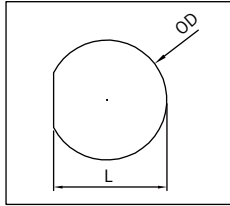
| Size | Current Rating (Code) | Straight Style | | | | Seal Size | | |
|------|-----------------------|----------------|----------|------------|----------|-----------|-----------|-----------|
| | | L | | W | | S | M | L |
| | | Female (A) | Male (B) | Female (A) | Male (B) | | | |
| B | 5A (BD) | 66.2 | 66.0 | 25.0 | 20.0 | 5.0~6.0 | 6.0~8.0 | 8.0~10.0 |
| | 10A (BB) | | | | | | | |
| C | 5A (CD) | 64.2 | 62.7 | 28.0 | 22.4 | 6.0~8.0 | 8.0~10.0 | 10.0~12.0 |
| | 10A (CB) | | | | | | | |
| | 20A (CC) | | | | | | | |
| D | 5A (BD) | 70.2 | 69.0 | 36.0 | 27.0 | 8.0~10.0 | 10.0~12.0 | 12.0~14.0 |
| | 10A (BB) | | | | | | | |

Unit: mm

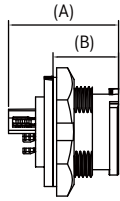
Physical Dimension | Hybrid Group

Receptacle

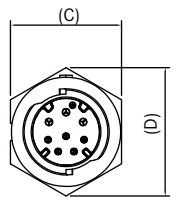
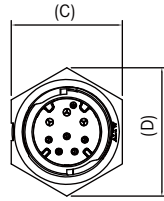
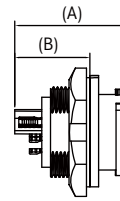
Panel Cut-out



Front Fastened



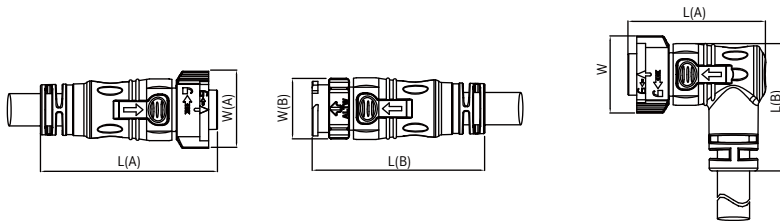
Rear Fastened



| Size | Current Rating (Code) | Fasten Style | L | OD | A | B | C | D | Panel Thickness Max. |
|------|-----------------------|--------------|------|------|------|------|------|------|----------------------|
| B | 10A+5A (BBD) | Front | 14.8 | 15.6 | 26.0 | 14.0 | 20.6 | 23.7 | 4 |
| | | Rear | 14.8 | 15.6 | 24.9 | 17.0 | 20.6 | 23.7 | 4.5 |
| C | 10A+5A (CBD) | Front | 19.4 | 20.8 | 25.2 | 15.0 | 25.4 | 29.3 | 4.2 |
| | | Rear | 19.4 | 20.8 | 25.2 | 17.2 | 25.4 | 29.3 | 4.2 |
| D | 20A+5A (DCD) | Front | 23.6 | 25.6 | 24.1 | 14.9 | 28.6 | 33.0 | 3.6 |
| | | Rear | 23.6 | 25.6 | 24.1 | 15.9 | 28.6 | 33.0 | 3.6 |

Unit: mm

Overmolded With Cable



| Size | Current Rating (Code) | Straight Style | | | | Right Angle Style | | |
|------|-----------------------|----------------|----------|------------|----------|-------------------|------|------|
| | | L | | W | | L(A) | L(B) | W |
| | | Female (A) | Male (B) | Female (A) | Male (B) | Female | | |
| B | 10A+5A (BBD) | 53.4 | 53.0 | 25.0 | 20.1 | 45.2 | 34.5 | 25.0 |
| C | 10A+5A (CBD) | 64.2 | 62.7 | 28.0 | 22.4 | 50.0 | 46.2 | 28.0 |
| D | 20A+5A (DCD) | 62.4 | 61.8 | 36.0 | 27.0 | 63.0 | 49.5 | 36.0 |

Unit: mm

【Note】 Design and specification are subject to change without notice.

Contact Configuration

| | Standard Size (B) | | | | | | | | | | Middle | | | |
|-------------|-------------------|-----------|----------|----------|----------|----------|-----------|-----------|--------------|----------|-----------|-----------|-----------|-----------|
| | Data | | | | Power | | | | Hybrid | | Data | | | |
| | 5A (BD) | | 10A (BB) | | 5A (BD) | | 10A (BB) | | 10A+5A (BBD) | | 5A (CD) | | 10A (CB) | |
| 4 5 | MM or FF | MF or FM | MM or FF | MF or FM | MM or FF | MF or FM | MM or FF | MF or FM | MM or FF | MF or FM | MM or FF | MF or FM | MM or FF | MF or FM |
| 2 Pin (02) | | | | | | | | | | | | | | |
| | R C F | R C F | R C | R C | | | R C F | R C F | | | | | | |
| 3 Pin (03) | | | | | | | | | | | | | | |
| | R C F | R C F | R C | R C | R C | R C | R C F | R C F | R C | R C | | | | |
| 4 Pin (04) | | | | | | | | | | | | | | |
| | R C F | R C F | R C | | | | R C F | | R C | R C | | | R C F | R C F |
| 5 Pin (05) | | | | | | | | | | | | | | |
| | R C F | R C F | | | | | | | R C | R C | | | R C F | R C F |
| 6 Pin (06) | | | | | | | | | | | | | | |
| | R C F | R C F | | | | | | | R C | R C | | | R C F | |
| 7 Pin (07) | | | | | | | | | | | | | | |
| | R C F | | | | | | | | | | R C F | R C F | | |
| 8 Pin (08) | | | | | | | | | | | | | | |
| | R C F | | | | | | | | | | R C F | R C F | | |
| 9 Pin (09) | | | | | | | | | | | | | | |
| | | | | | | | | | | | R C F | R C F | | |
| 10 Pin (10) | | | | | | | | | | | | | | |
| | | | | | | | | | | | R C F | | | |
| 11 Pin (11) | | | | | | | | | | | | | | |
| 12 Pin (12) | | | | | | | | | | | | | | |
| | | | | | | | | | | | R C F | | | |
| 14 Pin (14) | | | | | | | | | | | | | | |
| 18 Pin (18) | | | | | | | | | | | | | | |

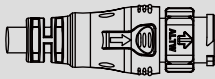
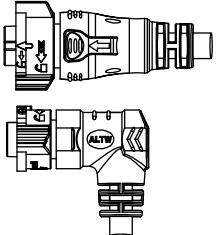
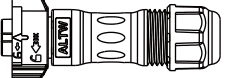

X-Lok Connector | Contact Configuration

Standard Size (5A | 10A | 10A+5A) | Middle Size (5A | 10A | 20A | 10A+5A) | Large Size (5A | 20A | 20A+5A)

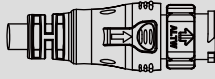
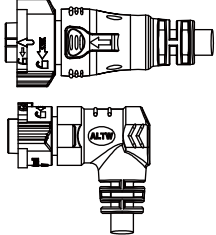
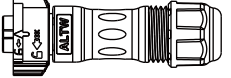

| Size (C) | | | | Large Size (D) | | | | | | | | | |
|-----------|-----------|--------------|----------|----------------|----------|-----------|-----------|--------------|----------|----------|----------|----------|----------|
| Power | | Hybrid | | Data | | Power | | Hybrid | | | | | |
| 20A (CC) | | 10A+5A (CBD) | | 5A (DD) | | 20A (DC) | | 20A+5A (DCD) | | | | | |
| MM or FF | MF or FM | MM or FF | MF or FM | MM or FF | MF or FM | MM or FF | MF or FM | MM or FF | MF or FM | MM or FF | MF or FM | MM or FF | MF or FM |
| | | | | | | | | | | | | | |
| R C F | R C F | | | | | R C F | R C F | | | | | | |
| | | | | | | | | | | | | | |
| R C F | R C F | | | | | R C F | R C F | | | | | | |
| | | | | | | | | | | | | | |
| | | R C | R C | | | | | R C | R C | | | | |
| | | | | | | | | | | | | | |
| | | R C | R C | | | R C F | R C F | R C | R C | | | | |
| | | | | | | | | | | | | | |
| | | R C | R C | | | | | R C | R C | | | | |
| | | | | | | | | | | | | | |
| | | R C | R C | | | | | R C | R C | | | | |
| | | | | | | | | | | | | | |
| | | R C | R C | | | | | R C | R C | | | | |
| | | | | | | | | | | | | | |
| | | | | | | | | R C | R C | | | | |
| | | | | | | | | | | | | | |
| | | | | | | | | R C | R C | | | | |
| | | | | | | | | | | | | | |
| | | | | | | | | R C | R C | | | | |
| | | | | | | | | | | | | | |
| | | | | | | | | R C | R C | | | | |
| | | | | | | | | | | | | | |
| | | | | | | | | R C | R C | | | | |
| | | | | | | | | | | | | | |
| | | | | | | | | R C | R C | | | | |
| | | | | | | | | | | | | | |
| | | | | | | | | R C | R C | | | | |
| | | | | | | | | | | | | | |
| | | | | | | | | R C | R C | | | | |
| | | | | | | | | | | | | | |
| | | | | | | | | R C | R C | | | | |
| | | | | | | | | | | | | | |
| | | | | | | | | R C | R C | | | | |
| | | | | | | | | | | | | | |
| | | | | | | | | R C | R C | | | | |
| | | | | | | | | | | | | | |
| | | | | | | | | R C | R C | | | | |
| | | | | | | | | | | | | | |
| | | | | | | | | R C | R C | | | | |
| | | | | | | | | | | | | | |
| | | | | | | | | R C | R C | | | | |
| | | | | | | | | | | | | | |
| | | | | | | | | R C | R C | | | | |
| | | | | | | | | | | | | | |
| | | | | | | | | R C | R C | | | | |
| | | | | | | | | | | | | | |
| | | | | | | | | R C | R C | | | | |
| | | | | | | | | | | | | | |
| | | | | | | | | R C | R C | | | | |
| | | | | | | | | | | | | | |
| | | | | | | | | R C | R C | | | | |
| | | | | | | | | | | | | | |
| | | | | | | | | R C | R C | | | | |
| | | | | | | | | | | | | | |
| | | | | | | | | R C | R C | | | | |
| | | | | | | | | | | | | | |
| | | | | | | | | R C | R C | | | | |
| | | | | | | | | | | | | | |
| | | | | | | | | R C | R C | | | | |
| | | | | | | | | | | | | | |
| | | | | | | | | R C | R C | | | | |
| | | | | | | | | | | | | | |
| | | | | | | | | R C | R C | | | | |
| | | | | | | | | | | | | | |
| | | | | | | | | R C | R C | | | | |
| | | | | | | | | | | | | | |
| | | | | | | | | R C | R C | | | | |
| | | | | | | | | | | | | | |
| | | | | | | | | R C | R C | | | | |
| | | | | | | | | | | | | | |
| | | | | | | | | R C | R C | | | | |
| | | | | | | | | | | | | | |
| | | | | | | | | R C | R C | | | | |
| | | | | | | | | | | | | | |
| | | | | | | | | R C | R C | | | | |
| | | | | | | | | | | | | | |
| | | | | | | | | R C | R C | | | | |
| | | | | | | | | | | | | | |
| | | | | | | | | R C | R C | | | | |
| | | | | | | | | | | | | | |
| | | | | | | | | R C | R C | | | | |
| | | | | | | | | | | | | | |
| | | | | | | | | R C | R C | | | | |
| | | | | | | | | | | | | | |
| | | | | | | | | R C | R C | | | | |
| | | | | | | | | | | | | | |
| | | | | | | | | R C | R C | | | | |
| | | | | | | | | | | | | | |
| | | | | | | | | R C | R C | | | | |
| | | | | | | | | | | | | | |
| | | | | | | | | R C | R C | | | | |
| | | | | | | | | | | | | | |
| | | | | | | | | R C | R C | | | | |
| | | | | | | | | | | | | | |
| | | | | | | | | R C | R C | | | | |
| | | | | | | | | | | | | | |
| | | | | | | | | R C | R C | | | | |
| | | | | | | | | | | | | | |
| | | | | | | | | R C | R C | | | | |
| | | | | | | | | | | | | | |
| | | | | | | | | R C | R C | | | | |
| | | | | | | | | | | | | | |
| | | | | | | | | R C | R C | | | | |
| | | | | | | | | | | | | | |
| | | | | | | | | R C | R C | | | | |
| | | | | | | | | | | | | | |
| | | | | | | | | R C | R C | | | | |
| | | | | | | | | | | | | | |
| | | | | | | | | R C | R C | | | | |
| | | | | | | | | | | | | | |
| | | | | | | | | R C | R C | | | | |
| | | | | | | | | | | | | | |
| | | | | | | | | R C | R C | | | | |
| | | | | | | | | | | | | | |
| | | | | | | | | R C | R C | | | | |
| | | | | | | | | | | | | | |
| | | | | | | | | R C | R C | | | | |
| | | | | | | | | | | | | | |
| | | | | | | | | | | | | | |

Find Our Standard Products

Standard Size: 5/8"-27 UNS > In-line

| <ul style="list-style-type: none"> • Male Connector (Housing) • Male Contacts • Push Lock | | |  |  |   ASSP- 2 FAC 6 P/N refers to page 20-22 |
|--|-----------------------|----------------------|---|--|---|
| Group | Current Rating (Code) | Contacts 2 | Male Connector (M) Male Contacts (M) | Female Connector (F) Female Contacts (F) | Female Connector (F) Female Contacts (F) |
| Data | 5A (BD) | 02,03,04,05,06,07,08 | BD- 2 AMMM-QL8DXX* | BD- 2 AFFM-QL8DXX* BD- 2 AFFM-QR8DXX* | BD- 2 BFFA-QL8X ¹ X ² 0** |
| | 10A (BB) | 02,03,04 | BB- 2 AMMM-QL8DXX* | BB- 2 AFFM-QL8DXX* BB- 2 AFFM-QR8DXX* | - |
| Power | 5A (BD) | 03 | BD-03AMMM-QL8EXX* | BD-03AFFM-QL8EXX* BD-03AFFM-QR8EXX* | - |
| | 10A (BB) | 02,03,04 | BB- 2 AMMM-QL8EXX* | BB- 2 AFFM-QL8EXX* BB- 2 AFFM-QR8EXX* | BB- 2 BFFA-QL8X ¹ X ² P** |
| Hybrid | 10A+5A (BBD) | 06 | BBD-06AMMM-QL8FXX* | BBD-06AFFM-QL8FXX* BBD-06AFFM-QR8FXX* | - |

Standard Size: 5/8"-27 UNS > In-line

| <ul style="list-style-type: none"> • Male Connector (Housing) • Female Contacts • Push Lock | | |  |  |   ASSP- 2 FAC 6 P/N refers to page 20-22 |
|--|-----------------------|----------------|---|--|---|
| Group | Current Rating (Code) | Contacts 2 | Male Connector (M) Female Contacts (F) | Female Connector (F) Male Contacts (M) | Female Connector (F) Male Contacts (M) |
| Data | 5A (BD) | 02,03,04,05,06 | BD- 2 AMFM-QL8DXX* | BD- 2 AFMM-QL8DXX* BD- 2 AFMM-QR8DXX* | BD- 2 BFMA-QL8X ¹ X ² 0** |
| | 10A (BB) | 02,03,04 | BB- 2 AMFM-QL8DXX* | BB- 2 AFMM-QL8DXX* BB- 2 AFMM-QR8DXX* | - |
| Power | 5A (BD) | 03 | BD-03AMFM-QL8EXX* | BD-03AFMM-QL8EXX* BD-03AFMM-QR8EXX* | - |
| | 10A (BB) | 02,03 | BB- 2 AMFM-QL8EXX* | BB- 2 AFMM-QL8EXX* BB- 2 AFMM-QR8EXX* | BB- 2 BFMA-QL8X ¹ X ² P** |
| Hybrid | 10A+5A (BBD) | 06 | BBD-06AMFM-QL8FXX* | BBD-06AFMM-QL8FXX* BBD-06AFMM-QR8FXX* | - |

*XX: Choose the cable length from 01-99 m

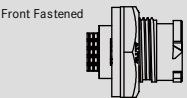
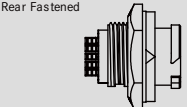
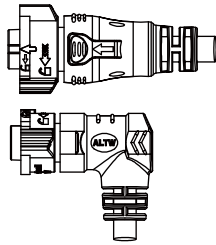
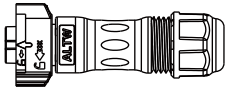
**X¹X²: Seal Size + Package Options
e.g. (SN) = Seal S + Connector without Contact

X¹: Seal Size
(S) 5.0~6.0mm
(M) 6.0~8.0mm
(L) 8.0~10.0mm

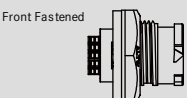
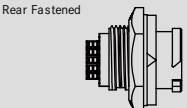
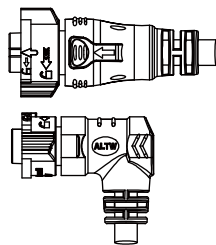
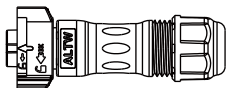
X²: Package Options
(N) Connector without Contact
(P) Connector with Contacts

[Contacts are available to be sold in bulk individually. For further information, please refer to page 20-22.]

Standard Size: 5/8"-27 UNS > Receptacle and Mating Pair

| <ul style="list-style-type: none"> • Male Connector (Housing) • Male Contacts • Push Lock | | | <p>Receptacle</p> <p>Front Fastened</p>  <p>Rear Fastened</p>  | <p>Overmolded with Cable</p>  | <p>Field Installable</p>  <p>ASSP- 2 FAC 6 P/N refers to page 20-22</p> |
|--|-----------------------|----------------------|--|---|--|
| Group | Current Rating (Code) | Contacts 2 | Male Connector (M) Male Contacts (M) | Female Connector (F) Female Contacts (F) | Female Connector (F) Female Contacts (F) |
| Data | 5A (BD) | 02,03,04,05,06,07,08 | BD- 2 PMMS-QC8001 BD- 2 RMMS-QC8001 | BD- 2 AFFM-QL8DXX* BD- 2 AFFM-QR8DXX* | BD- 2 BFFA-QL8X ¹ X ² 0** |
| | 10A (BB) | 02,03,04 | BB- 2 PMMS-QC8001 BB- 2 RMMS-QC8001 | BB- 2 AFFM-QL8DXX* BB- 2 AFFM-QR8DXX* | - |
| Power | 5A (BD) | 03 | BD-03PMMS-QC800P BD-03RMMS-QC800P | BD-03AFFM-QL8EXX* BD-03AFFM-QR8EXX* | - |
| | 10A (BB) | 02,03,04 | BB- 2 PMMS-QC800P BB- 2 RMMS-QC800P | BB- 2 AFFM-QL8EXX* BB- 2 AFFM-QR8EXX* | BB- 2 BFFA-QL8X ¹ X ² P** |
| Hybrid | 10A+5A (BBD) | 06 | BBD-06PMMS-QC8001 BBD-06RMMS-QC8001 | BBD-06AFFM-QL8FXX* BBD-06AFFM-QR8FXX* | - |

Standard Size: 5/8"-27 UNS > Receptacle and Mating Pair

| <ul style="list-style-type: none"> • Male Connector (Housing) • Male Contacts • Push Lock | | | <p>Receptacle</p> <p>Front Fastened</p>  <p>Rear Fastened</p>  | <p>Overmolded with Cable</p>  | <p>Field Installable</p>  <p>ASSP- 2 FAC 6 P/N refers to page 20-22</p> |
|--|-----------------------|----------------|--|---|--|
| Group | Current Rating (Code) | Contacts 2 | Male Connector (M) Female Contacts (F) | Female Connector (F) Male Contacts (M) | Female Connector (F) Male Contacts (M) |
| Data | 5A (BD) | 02,03,04,05,06 | BD- 2 RMFS-QC8001 BD- 2 PMFS-QC8001 | BD- 2 AFMM-QL8DXX* BD- 2 AFMM-QR8DXX* | BD- 2 BFMA-QL8X ¹ X ² 0** |
| | 10A (BB) | 02,03 | BB- 2 RMFS-QC8001 BB- 2 PMFS-QC8001 | BB- 2 AFMM-QL8DXX* BB- 2 AFMM-QR8DXX* | - |
| Power | 5A (BD) | 03 | BD-03RMFS-QC800P BD-03PMFS-QC800P | BD-03AFMM-QL8EXX* BD-03AFMM-QR8EXX* | - |
| | 10A (BB) | 02,03 | BB- 2 RMFS-QC800P BB- 2 PMFS-QC800P | BB- 2 AFMM-QL8EXX* BB- 2 AFMM-QR8EXX* | BB- 2 BFMA-QL8X ¹ X ² P** |
| Hybrid | 10A+5A (BBD) | 06 | BBD-06RMFS-QC8001 BBD-06PMFS-QC8001 | BBD-06AFMM-QL8FXX* BBD-06AFMM-QR8FXX* | - |

**XX: Choose the cable length from 01-99 m

**X¹X²: Seal Size + Package Options
e.g. (SN) = Seal S + Connector without Contact

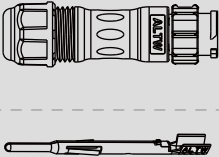
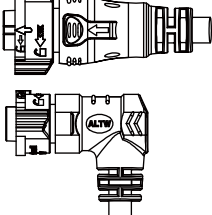
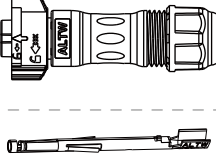
X¹: Seal Size
(S) 5.0-6.0mm
(M) 6.0-8.0mm
(L) 8.0-10.0mm

X²: Package Options
(N) Connector without Contact
(P) Connector with Contacts

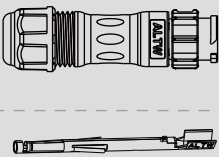
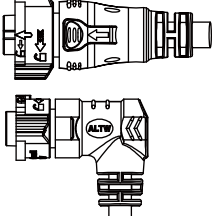
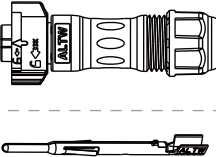
[Contacts are available to be sold in bulk individually. For further information, please refer to page 20-22.]

[Note] Design and specification are subject to change without notice.

Standard Size: 5/8"-27 UNS > In-Line

| | | | | | |
|--|-----------------------|----------------------|--|---|--|
| <ul style="list-style-type: none"> • Male Connector (Housing) • Male Contacts • Push Lock | | | <p>Field Installable</p>  <p>ASSP- 2 FAC 6 P/N refers to page xxx</p> | <p>Overmolded with Cable</p>  | <p>Field Installable</p>  <p>ASSP- 2 FAC 6 P/N refers to page 20-22</p> |
| Group | Current Rating (Code) | Contacts 2 | Male Connector (M) Male Contacts (M) | Female Connector (F) Female Contacts (F) | Female Connector (F) Female Contacts (F) |
| Data | 5A (BD) | 02,03,04,05,06,07,08 | BD- 2 BMMA-QL8X ¹ X ² 0** | BD- 2 AFFM-QL8DXX* BD- 2 AFFM-QR8DXX* | BD- 2 BFFA-QL8X ¹ X ² 0** |
| Power | 10A (BB) | 02,03,04 | BD- 2 BMMA-QL8X ¹ X ² P** | BB- 2 AFFM-QL8DXX* BB- 2 AFFM-QR8DXX* | BD- 2 BFFA-QL8X ¹ X ² P** |

Standard Size: 5/8"-27 UNS > In-Line

| | | | | | |
|-------|-----------------------|----------------|---|--|---|
| | | | <p>Field Installable</p>  <p>ASSP- 2 FAC 6 P/N refers to page xxx</p> | <p>Overmolded with Cable</p>  | <p>Field Installable</p>  <p>ASSP- 2 FAC 6 P/N refers to page 20-22</p> |
| Group | Current Rating (Code) | Contacts 2 | Male Connector (M) Female Contacts (F) | Female Connector (F) Male Contacts (M) | Female Connector (F) Male Contacts (M) |
| Data | 5A (BD) | 02,03,04,05,06 | BD- 2 BMFA-QL8X ¹ X ² 0** | BD- 2 AFMM-QL8DXX* BD- 2 AFMM-QR8DXX* | BD- 2 BFMA-QL8X ¹ X ² 0** |
| Power | 10A (BB) | 02,03 | BB- 2 BMFA-QL8X ¹ X ² P** | BB- 2 AFMM-QL8DXX* BB- 2 AFMM-QR8DXX* | BB- 2 BFMA-QL8X ¹ X ² P** |

*XX: Choose the cable length from 01-99 m

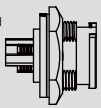
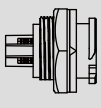
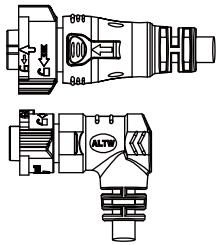
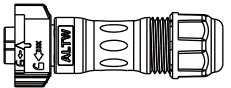

**X¹X²: Seal Size + Package Options
e.g. (SN) = Seal S + Connector without Contact

X¹: Seal Size
(S) 5.0~6.0mm
(M) 6.0~8.0mm
(L) 8.0~10.0mm

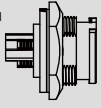
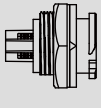
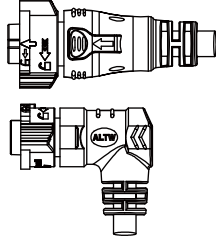


X²: Package Options
(N) Connector without Contact
(P) Connector with Contacts

[Contacts are available to be sold in bulk individually. For further information, please refer to page 20-22.]

▾ Middle Size 13/16"-28UNS > Receptacle and Mating Pair

| <ul style="list-style-type: none"> • Male Connector (Housing) • Male Contacts • Push Lock | | | <p>Receptacle</p> <p>Front Fastened</p>  <p>Rear Fastened</p>  | <p>Overmolded with Cable</p>  | <p>Field Installable</p>   <p>ASSP- 2 FAC 6 P/N refers to page 20-22</p> |
|--|-----------------------|-------------|---|--|---|
| Group | Current Rating (Code) | Contacts 2 | Male Connector (M) Male Contacts (M) | Female Connector (F) Female Contacts (F) | Female Connector (F) Female Contacts (F) |
| Data | 5A (CD) | 08,09,10,12 | CD- 2 PMMS-QC8001 | CD- 2 AFFM-QL8DXX* CD- 2 AFFM-QR8DXX* | CD- 2 BFFA-QL8X ¹ X ² 0** |
| | 10A (CB) | 04,05,06 | CB- 2 PMMS-QC8001 | CB- 2 AFFM-QL8DXX* | CB- 2 BFFA-QL8X ¹ X ² 0** |
| Power | 20A (CC) | 02,03 | CC- 2 PMMS-QC800P | CC- 2 AFFM-QL8EXX* CC- 2 AFFM-QR8EXX* | CC- 2 BFFA-QL8X ¹ X ² P** |
| Hybrid | 10A+5A (CBD) | 08 | CBD-08PMMS-QC8001 | CBD-08AFFM-QL8FXX* CBD-08AFFM-QR8FXX* | - |

▾ Middle Size 13/16"-28UNS > Receptacle and Mating Pair

| <ul style="list-style-type: none"> • Male Connector (Housing) • Male Contacts • Push Lock | | | <p>Receptacle</p> <p>Front Fastened</p>  <p>Rear Fastened</p>  | <p>Overmolded with Cable</p>  | <p>Field Installable</p>   <p>ASSP- 2 FAC 6 P/N refers to page 20-22</p> |
|--|-----------------------|------------|---|--|---|
| Group | Current Rating (Code) | Contacts 2 | Male Connector (M) Female Contacts (F) | Female Connector (F) Male Contacts (M) | Female Connector (F) Male Contacts (M) |
| Data | 5A (CD) | 07,08,09 | CD- 2 PMFS-QC8001 | CD- 2 AFMM-QL8DXX* CD- 2 AFMM-QR8DXX* | CD- 2 BFMA-QL8X ¹ X ² 0** |
| | 10A (CB) | 04,05 | CB- 2 PMFS-QC8001 | CB- 2 AFMM-QL8DXX* CB- 2 AFMM-QL8DXX* | CB- 2 BFMA-QL8X ¹ X ² 0** |
| Power | 20A (CC) | 02,03 | CC- 2 PMFS-QC800P | CC- 2 AFMM-QL8EXX* CC- 2 AFMM-QR8EXX* | CC- 2 BFMA-QL8X ¹ X ² P** |
| Hybrid | 10A+5A (CBD) | 08 | CBD-08PMFS-QC8001 | CBD-08AFMM-QL8FXX* CBD-08AFMM-QR8FXX* | - |

*XX: Choose the cable length from 01-99 m

**X¹X²: Seal Size + Package Options
e.g. (SN) = Seal S + Connector without Contact

X¹: Seal Size
(S) 6.0-8.0mm (N) Connector without Contact
(M) 8.0-10.0mm (P) Connector with Contacts
(L) 10.0-12.0mm

[Contacts are available to be sold in bulk individually. For further information, please refer to page 20-22.]

[Note] Design and specification are subject to change without notice.

▾ Middle Size 13/16"-28UNS > Receptacle and Mating Pair

| <ul style="list-style-type: none"> • Male Connector (Housing) • Male Contacts • Push Lock | | | <p>Receptacle</p> | <p>Overmolded with Cable</p> | <p>Field Installable</p> <p>ASSP- 2 FAC 6 P/N refers to page 20-22</p> |
|--|-----------------------|-------------|---|---|--|
| Group | Current Rating (Code) | Contacts 2 | Male Connector (M) Male Contacts (M) | Female Connector (F) Female Contacts (F) | Female Connector (F) Female Contacts (F) |
| Data | 5A (CD) | 08,09,10,12 | CD- 2 PMMS-QC8001 CD- 2 RMMS-QC8001 | CD- 2 AFFM-QL8DXX* CD- 2 AFFM-QR8DXX* | CD- 2 BFFA-QL8X ¹ X ² 0** |
| | 10A (CB) | 04,05,06 | CB- 2 PMMS-QC8001 CB- 2 RMMS-QC8001 | CB- 2 AFFM-QL8DXX* | CB- 2 BFFA-QL8X ¹ X ² 0** |
| Power | 20A (CC) | 02,03 | CC- 2 PMMS-QC800P CC- 2 RMMS-QC800P | CC- 2 AFFM-QL8EXX* CC- 2 AFFM-QR8EXX* | CC- 2 BFFA-QL8X ¹ X ² P** |
| Hybrid | 10A+5A (CBD) | 08 | CBD-08PMMS-QC8001 CBD-08RMMS-QC8001 | CBD-08AFFM-QL8FXX* CBD-08AFFM-QR8FXX* | - |

▾ Middle Size 13/16"-28UNS > Receptacle and Mating Pair

| <ul style="list-style-type: none"> • Male Connector (Housing) • Female Contacts • Push Lock | | | <p>Receptacle</p> | <p>Overmolded with Cable</p> | <p>Field Installable</p> <p>ASSP- 2 FAC 6 P/N refers to page 20-22</p> |
|--|-----------------------|-------------|---|---|--|
| Group | Current Rating (Code) | Contacts 2 | Male Connector (M) Female Contacts (F) | Female Connector (F) Male Contacts (M) | Female Connector (F) Male Contacts (M) |
| Data | 5A (CD) | 08,09,10,12 | CD- 2 PMFS-QC8001 CD- 2 RMFS-QC8001 | CD- 2 AFMM-QL8DXX* CD- 2 AFMM-QR8DXX* | CD- 2 BFMA-QL8X ¹ X ² 0** |
| | 10A (CB) | 04,05,06 | CB- 2 PMFS-QC8001 CB- 2 RMFS-QC8001 | CB- 2 AFMM-QL8DXX* | CB- 2 BFMA-QL8X ¹ X ² 0** |
| Power | 20A (CC) | 02,03 | CC- 2 PMFS-QC800P CC- 2 RMFS-QC800P | CC- 2 AFMM-QL8EXX* CC- 2 AFMM-QR8EXX* | CC- 2 BFMA-QL8X ¹ X ² P** |
| Hybrid | 10A+5A (CBD) | 08 | CBD-08PMFS-QC8001 CBD-08RMFS-QC8001 | CBD-08AFMM-QL8FXX* CBD-08AFMM-QR8FXX* | - |

*XX: Choose the cable length from 01-99 m

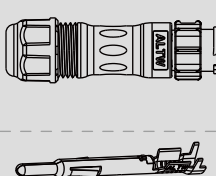
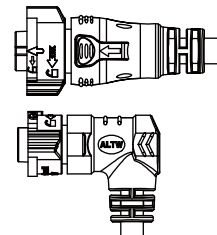
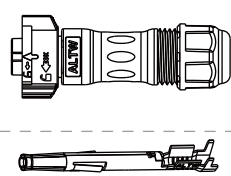
**X¹X²: Seal Size + Package Options
e.g. (SN) = Seal S + Connector without Contact

X¹: Seal Size
(S) 6.0-8.0mm
(M) 8.0-10.0mm
(L) 10.0-12.0mm

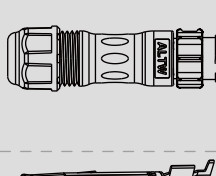
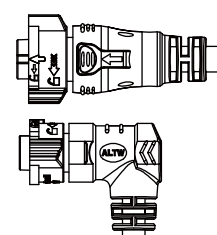
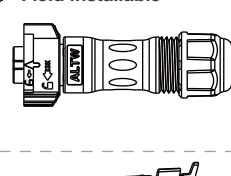
X²: Package Options
(N) Connector without Contact
(P) Connector with Contacts

[Contacts are available to be sold in bulk individually. For further information, please refer to page 20-22.]

▾ Middle Size 13/16"-28UNS > In-Line

| <ul style="list-style-type: none"> • Male Connector (Housing) • Male Contacts • Push Lock | | | <p>Field Installable -----></p>  <p>ASSP- 2 FAC 6 P/N refers to page xxx</p> | <p>-----> Overmolded with Cable</p>  | <p>-----> Field Installable</p>  <p>ASSP- 2 FAC 6 P/N refers to page 20-22</p> |
|--|-----------------------|-------------|--|---|--|
| Group | Current Rating (Code) | Contacts 2 | Male Connector (M) Male Contacts (M) | Female Connector (F) Female Contacts (F) | Female Connector (F) Female Contacts (F) |
| Data | 5A (CD) | 08,09,10,12 | CD- 2 BMMA-QL8X ¹ X ² 0** | CD- 2 AFFM-QL8DXX* CD- 2 AFFM-QR8DXX* | CD- 2 BFFA-QL8X ¹ X ² 0** |
| | 10A (CB) | 04,05,06 | CB- 2 BMMA-QL8X ¹ X ² 0** | CB- 2 AFFM-QL8DXX* | CB- 2 BFFA-QL8X ¹ X ² 0** |
| Power | 20A (CC) | 02,03 | CC- 2 BMMA-QL8X ¹ X ² P** | CC- 2 AFFM-QL8EXX* CC- 2 AFFM-QR8EXX* | CC- 2 BFFA-QL8X ¹ X ² P** |

▾ Middle Size 13/16"-28UNS > In-Line

| <ul style="list-style-type: none"> • Male Connector (Housing) • Male Contacts • Push Lock | | | <p>Field Installable -----></p>  <p>ASSP- 2 FAC 6 P/N refers to page xxx</p> | <p>-----> Overmolded with Cable</p>  | <p>-----> Field Installable</p>  <p>ASSP- 2 FAC 6 P/N refers to page 20-22</p> |
|--|-----------------------|------------|--|---|--|
| Group | Current Rating (Code) | Contacts 2 | Male Connector (M) Female Contacts (F) | Female Connector (F) Male Contacts (M) | Female Connector (F) Male Contacts (M) |
| Data | 5A (CD) | 07,08,09 | CD- 2 BMFA-QL8X ¹ X ² 0** | CD- 2 AFMM-QL8DXX* CD- 2 AFMM-QR8DXX* | CD- 2 BFMA-QL8X ¹ X ² 0** |
| | 10A (CB) | 04,05 | CB- 2 BMFA-QL8X ¹ X ² 0** | CD- 2 AFMM-QL8DXX* CD- 2 AFMM-QR8DXX* | CB- 2 BFMA-QL8X ¹ X ² 0** |
| Power | 20A (CC) | 02,03 | CC- 2 BMFA-QL8X ¹ X ² P** | CC- 2 AFMM-QL8EXX* CC- 2 AFMM-QR8EXX* | CC- 2 BFMA-QL8X ¹ X ² P** |

**XX: Choose the cable length from 01-99 m

**X¹X²: Seal Size + Package Options
e.g. (SN) = Seal S + Connector without Contact

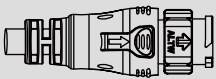
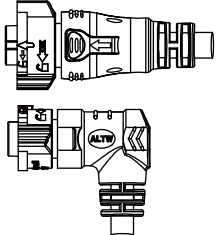
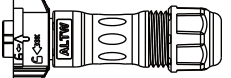

X¹: Seal Size
(S) 6.0-8.0mm
(M) 8.0-10.0mm
(L) 10.0-12.0mm

X²: Package Options
(N) Connector without Contact
(P) Connector with Contacts

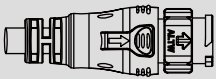
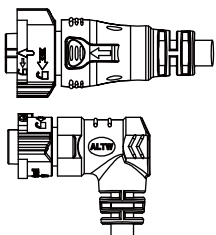
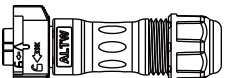

[Contacts are available to be sold in bulk individually. For further information, please refer to page 20-22.]

[Note] Design and specification are subject to change without notice.

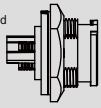
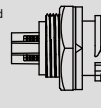
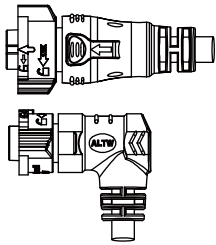
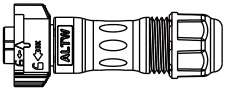

∟ Large Size 1"-20UNEF > In-Line

| | | | | | |
|--|-----------------------|------------|--|---|---|
| <ul style="list-style-type: none"> • Male Connector (Housing) • Male Contacts • Push Lock | | | Overmolded with Cable  | Overmolded with Cable  | Field Installable   ASSP-2 FAC 6 P/N refers to page 20-22 |
| Group | Current Rating (Code) | Contacts 2 | Male Connector (M) Male Contacts (M) | Female Connector (F) Female Contacts (F) | Female Connector (F) Female Contacts (F) |
| Data | 5A (DD) | 14, 18 | DD- 2 AMMM-QL8DXX* | DD- 2 AFFM-QL8DXX* DD- 2 AFFM-QL8DXX* | DD- 2 BFFA-QL8X ¹ X ² 0** |
| Power | 20A (DC) | 02,03,05 | DC- 2 AMMM-QL8EXX* | DC- 2 AFFM-QL8EXX* DC- 2 AFFM-QL8EXX* | DC- 2 BFFA-QL8X ¹ X ² P** |
| Hybrid | 20A+5A (DCD) | 12 | DCD- 2 AMMM-QL8FXX* | DCD- 2 AFFM-QL8FXX* DCD- 2 AFFM-QL8FXX* | - |

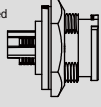
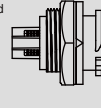
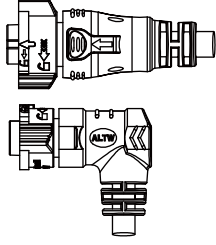


∟ Large Size 1"-20UNEF > In-Line

| | | | | | |
|--|-----------------------|------------|--|---|---|
| <ul style="list-style-type: none"> • Male Connector (Housing) • Female Contacts • Push Lock | | | Overmolded with Cable  | Overmolded with Cable  | Field Installable   ASSP-2 FAC 6 P/N refers to page 20-22 |
| Group | Current Rating (Code) | Contacts 2 | Male Connector (M) Female Contacts (F) | Female Connector (F) Male Contacts (M) | Female Connector (F) Male Contacts (M) |
| Data | 5A (DD) | 12, 14, 18 | DD- 2 AMFM-QL8DXX* | DD- 2 AFMM-QL8DXX* DD- 2 AFMM-QL8DXX* | DD- 2 BFMA-QL8X ¹ X ² 0** |
| Power | 20A (DC) | 02,03,05 | DC- 2 AMFM-QL8EXX* | DC- 2 AFMM-QL8EXX* DC- 2 AFMM-QL8EXX* | DC- 2 BFMA-QL8X ¹ X ² P** |
| Hybrid | 20A+5A (DCD) | 12 | DCD- 2 AMFM-QL8FXX* | DCD- 2 AFMM-QL8FXX* DCD- 2 AFMM-QL8FXX* | - |

Large Size 1"-20UNEF > Receptacle and Mating Pair

| <ul style="list-style-type: none"> • Male Connector (Housing) • Male Contacts • Push Lock | | | <p>Receptacle</p> <p>Front Fastened</p>  <p>Rear Fastened</p>  | <p>Overmolded with Cable</p>  | <p>Field Installable</p>   <p>ASSP- 2 FAC 6 P/N refers to page 20-22</p> |
|--|-----------------------|------------|--|---|--|
| Group | Current Rating (Code) | Contacts 2 | Male Connector (M) Male Contacts (M) | Female Connector (F) Female Contacts (F) | Female Connector (F) Female Contacts (F) |
| Data | 5A (CD) | 14, 18 | DD- 2 PMMS-QC8001 DD- 2 RMMS-QC8001 | DD- 2 AFFM-QL8DXX* DD- 2 AFFM-QR8DXX* | DD- 2 BFFA-QL8X ¹ X ² 0** |
| Power | 10A (DC) | 02,03,05 | DC- 2 PMMS-QC800P DC- 2 RMMS-QC800P | DC- 2 AFFM-QL8DXX* | DC- 2 BFFA-QL8X ¹ X ² P** |
| Hybrid | 20A+5A (DCD) | 12 | DCD- 2 PMMS-QC8001 DCD- 2 RMMS-QC8001 | DCD- 2 AFFM-QL8EXX* DCD- 2 AFFM-QR8EXX* | - |

Large Size 1"-20UNEF > Receptacle and Mating Pair

| <ul style="list-style-type: none"> • Male Connector (Housing) • Female Contacts • Push Lock | | | <p>Receptacle</p> <p>Front Fastened</p>  <p>Rear Fastened</p>  | <p>Overmolded with Cable</p>  | <p>Field Installable</p>   <p>ASSP- 2 FAC 6 P/N refers to page 20-22</p> |
|--|-----------------------|------------|--|---|--|
| Group | Current Rating (Code) | Contacts 2 | Male Connector (M) Female Contacts (F) | Female Connector (F) Male Contacts (M) | Female Connector (F) Male Contacts (M) |
| Data | 5A (CD) | 12, 14, 18 | DD- 2 PMFS-QC8001 DD- 2 RMFS-QC8001 | DD- 2 AFMM-QL8DXX* DD- 2 AFMM-QR8DXX* | DD- 2 BFMA-QL8X ¹ X ² 0** |
| Power | 10A (DC) | 02,03,05 | DC- 2 PMFS-QC800P DC- 2 RMFS-QC800P | DC- 2 AFMM-QL8DXX* | DC- 2 BFMA-QL8X ¹ X ² P** |
| Hybrid | 20A+5A (DCD) | 12 | DCD- 2 PMFS-QC8001 DCD- 2 RMFS-QC8001 | DCD- 2 AFMM-QL8EXX* DCD- 2 AFMM-QR8EXX* | - |

*XX: Choose the cable length from 01-99 m

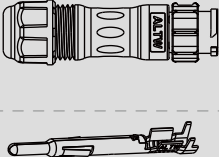
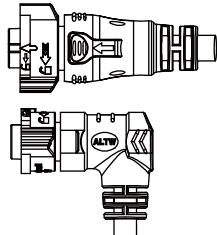
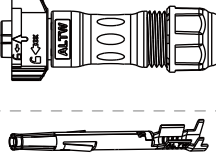
**X¹X²: Seal Size + Package Options
e.g. (SN) = Seal S + Connector without Contact

X¹: Seal Size (S) 8.0-10.0mm (M) 10.0-12.0mm (L) 12.0-14.0mm
X²: Package Options (N) Connector without Contact (P) Connector with Contacts

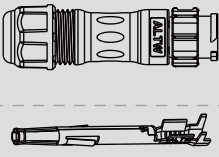
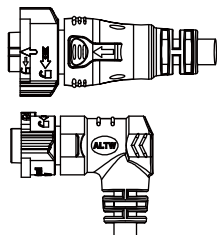
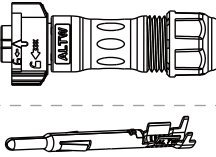
[Contacts are available to be sold in bulk individually. For further information, please refer to page 20-22.]

[Note] Design and specification are subject to change without notice.

∟ Large Size 1"-20UNEF > In-Line

| | | | | | |
|--|-----------------------|------------|--|---|--|
| <ul style="list-style-type: none"> • Male Connector (Housing) • Male Contacts • Push Lock | | | <p>Field Installable</p>  <p>ASSP- 2 FAC 6 P/N refers to page xxx</p> | <p>Overmolded with Cable</p>  | <p>Field Installable</p>  <p>ASSP- 2 FAC 6 P/N refers to page 20-22</p> |
| Group | Current Rating (Code) | Contacts 2 | Male Connector (M) Male Contacts (M) | Female Connector (F) Female Contacts (F) | Female Connector (F) Female Contacts (F) |
| Data | 5A (DD) | 14, 18 | DD- 2 BMMA-QL8X ¹ X ² 0** | DD- 2 AFFM-QL8DXX* DD- 2 AFFM-QR8DXX* | DD- 2 BFFA-QL8X ¹ X ² 0** |
| Power | 20A (DC) | 02,03,05 | DC- 2 BMMA-QL8X ¹ X ² P** | DC- 2 AFFM-QL8DXX* DC- 2 AFFM-QR8DXX* | DC- 2 BFFA-QL8X ¹ X ² P** |

∟ Large Size 1"-20UNEF > In-Line

| | | | | | |
|--|-----------------------|------------|---|--|---|
| <ul style="list-style-type: none"> • Male Connector (Housing) • Female Contacts • Push Lock | | | <p>Field Installable</p>  <p>ASSP- 2 FAC 6 P/N refers to page xxx</p> | <p>Overmolded with Cable</p>  | <p>Field Installable</p>  <p>ASSP- 2 FAC 6 P/N refers to page 20-22</p> |
| Group | Current Rating (Code) | Contacts 2 | Male Connector (M) Female Contacts (F) | Female Connector (F) Male Contacts (M) | Female Connector (F) Male Contacts (M) |
| Data | 5A (DD) | 12, 14, 18 | DD- 2 BMFA-QL8X ¹ X ² 0** | DD- 2 AFMM-QL8DXX* DD- 2 AFMM-QR8DXX* | DD- 2 BFMA-QL8X ¹ X ² 0** |
| Power | 10A (DC) | 02,03,05 | DC- 2 BMFA-QL8X ¹ X ² P** | DC- 2 AFMM-QL8DXX* DC- 2 AFMM-QR8DXX* | DC- 2 BFMA-QL8X ¹ X ² P** |

*XX: Choose the cable length from 01-99 m


**X¹X²: Seal Size + Package Options
e.g. (SN) = Seal S + Connector without Contact

X¹: Seal Size X²: Package Options
(S) 8.0-10.0mm (N) Connector without Contact
(M) 10.0-12.0mm (P) Connector with Contacts
(L) 12.0-14.0mm

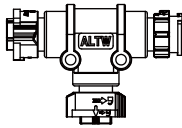
[Contacts are available to be sold in bulk individually. For further information, please refer to page 20-22.]

∨ I-Adaptor, T-Adaptor & T-Cable

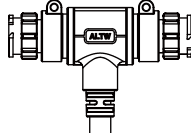
Customization - Upon Request



I-Adaptor



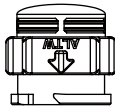
T-Adaptor




T-Cable

∨ Waterproof Cap

For female connector



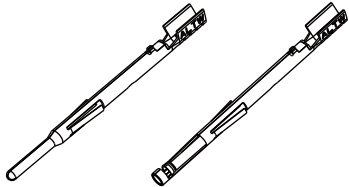
For male connector



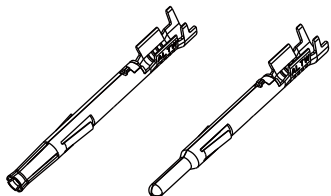
- 3 More to choose: None (MA) / With Rubber Lead (PC)
- 4 More to choose: None (MA) / With Fish Line (CD)
- 5 More to choose: None (A) / With Fish Line (D)

| Size | Mating Pair | Mating Style | Mating Pair (Gender) | P/N |
|------------------------------|-----------------------|--------------|----------------------|--|
| Standard Size 5/8"-27 UNS | Receptacle | Push Lock | Male | CAP-WABMQ 3 1 |
| | Overmolded with cable | Push Lock | Female | CAP-WABFQ 4 1 |
| | | | Male | CAP-WABMQM 5 1 |
| Middle Size 13/16"-28 UNS | Receptacle | Push Lock | Male | CAP-WACMQ 3 1 CAP-WACMQ 3 2 |
| | Overmolded with cable | Push Lock | Female | CAP-WACFQ 4 1 |
| | | | Male | CAP-WACMQM 5 1 |
| | | | | CAP-WACMQM 5 2 |
| Large Size 1/20" UNEF | Receptacle | Push Lock | Male | CAP-WADMQ 3 1 CAP-WADMQ 3 2 |
| | Overmolded with cable | Push Lock | Female | CAP-WADFQ 4 1 |
| | | | Male | CAP-WADMQM 5 1 CAP-WADMQM 5 2 |

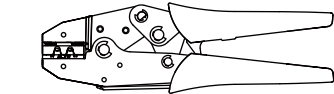
∨ Contacts & Crimp Tool



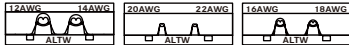
5A



10A/20A



Crimp Tool



| Current Rating 2 | Contact Gender | P/N | Packages 6 | Crimp Tool |
|--|----------------|--|--|----------------------------------|
| 5A 05 | Male | ASSP-05MAC 6 | (SA) 50pcs / Bulk (SB) 100pcs / Bulk (SC) 500pcs / Bulk (SD) 1000pcs / Bulk (RE) 3000pcs / Bulk | ASST-C-05-W-A (20AWG ~ 22AWG) |
| | Female | ASSP-05FAC 6 | | ASST-C-10-W-B (16AWG ~ 18AWG) |
| 10A 10 | Male | ASSP-10MAC 6 | | ASST-C-20-W-C (12AWG ~ 14AWG) |
| | Female | ASSP-10FAC 6 | | |
| 20A 20 | Male | ASSP-20MAC 6 | | |
| | Female | ASSP-20FAC 6 | | |

[Note] Design and specification are subject to change without notice.

Amphenol LTW Technology Co., Ltd.

5F-3, No.51, Sec.4, Zhongyang Rd., Tucheng Dist., New Taipei City 236, Taiwan
Telephone: +886-2-77416888 Fax: +886-2-77416999
www.amphenolltw.com

Kunshan Factory

No. 62, DaTong Road, Development Zone, Kunshan City, JiangSu Province, 215333 China
Telephone: +86-512-5761-0501
Fax: : +86-512-5761-0515

For further information, please contact :

Sales & Marketing Department | Email : sales@ltw-tech.com

Компания «Океан Электроники» предлагает заключение долгосрочных отношений при поставках импортных электронных компонентов на взаимовыгодных условиях!

Наши преимущества:

- Поставка оригинальных импортных электронных компонентов напрямую с производств Америки, Европы и Азии, а так же с крупнейших складов мира;
- Широкая линейка поставок активных и пассивных импортных электронных компонентов (более 30 млн. наименований);
- Поставка сложных, дефицитных, либо снятых с производства позиций;
- Оперативные сроки поставки под заказ (от 5 рабочих дней);
- Экспресс доставка в любую точку России;
- Помощь Конструкторского Отдела и консультации квалифицированных инженеров;
- Техническая поддержка проекта, помощь в подборе аналогов, поставка прототипов;
- Поставка электронных компонентов под контролем ВП;
- Система менеджмента качества сертифицирована по Международному стандарту ISO 9001;
- При необходимости вся продукция военного и аэрокосмического назначения проходит испытания и сертификацию в лаборатории (по согласованию с заказчиком);
- Поставка специализированных компонентов военного и аэрокосмического уровня качества (Xilinx, Altera, Analog Devices, Intersil, Interpoint, Microsemi, Actel, Aeroflex, Peregrine, VPT, Syfer, Eurofarad, Texas Instruments, MS Kennedy, Miteq, Cobham, E2V, MA-COM, Hittite, Mini-Circuits, General Dynamics и др.);

Компания «Океан Электроники» является официальным дистрибьютором и эксклюзивным представителем в России одного из крупнейших производителей разъемов военного и аэрокосмического назначения «JONHON», а так же официальным дистрибьютором и эксклюзивным представителем в России производителя высокотехнологичных и надежных решений для передачи СВЧ сигналов «FORSTAR».



JONHON

«JONHON» (основан в 1970 г.)

Разъемы специального, военного и аэрокосмического назначения:

(Применяются в военной, авиационной, аэрокосмической, морской, железнодорожной, горно- и нефтедобывающей отраслях промышленности)

«FORSTAR» (основан в 1998 г.)

ВЧ соединители, коаксиальные кабели,
кабельные сборки и микроволновые компоненты:

(Применяются в телекоммуникациях гражданского и специального назначения, в средствах связи, РЛС, а так же военной, авиационной и аэрокосмической отраслях промышленности).



Телефон: 8 (812) 309-75-97 (многоканальный)

Факс: 8 (812) 320-03-32

Электронная почта: ocean@oceanchips.ru

Web: <http://oceanchips.ru/>

Адрес: 198099, г. Санкт-Петербург, ул. Калинина, д. 2, корп. 4, лит. А