

PLEASE CHECK WWW.MOLEX.COM FOR LATEST PART INFORMATION

Part Number: [0879160001](#)
Status: **Active**
Description: 1.00mm (.039") Pitch DDR-2 DIMM Socket, 22.5 Degree Angle, Through Hole, 240 Circuits, 1.8V Voltage Key, 0.76µm (30µ") Gold (Au) Plating, 2.79mm (.110") Tail Length, with Off-White Latches, Lead-free

Documents:

[3D Model](#) [Product Specification PS-87916-001 \(PDF\)](#)
[Drawing \(PDF\)](#) [RoHS Certificate of Compliance \(PDF\)](#)

Agency Certification

CSA LR19980
 UL E29179

General

Product Family Memory Module Sockets
 Series [87916](#)
 Comments Latches in Off-White Color
 Component Type Memory Module
 JEDEC Outline MO-237
 Product Name DDR2 DIMM

Physical

Circuits (Loaded) 240
 Color - Resin Black, Natural
 Durability (mating cycles max) 25
 Entry Angle 22.5° Angle
 Flammability 94V-0
 Keying to Mating Part Yes
 Material - Plating Mating Gold
 Material - Plating Termination Tin
 Material - Resin High Temperature Thermoplastic
 PC Tail Length (in) 0.110 In
 PC Tail Length (mm) 2.79 mm
 PCB Locator Yes
 PCB Retention Yes
 PCB Thickness Recommended (in) 0.062 In
 PCB Thickness Recommended (mm) 1.60 mm
 Packaging Type Tray
 Pitch - Mating Interface (in) 0.039 In
 Pitch - Mating Interface (mm) 1.00 mm
 Plating min: Mating (µin) 30.4
 Plating min: Mating (µm) 0.76
 Plating min: Termination (µin) 101.6
 Plating min: Termination (µm) 2.54
 Temperature Range - Operating -55°C to +85°C
 Termination Interface: Style Through Hole

Electrical

Current - Maximum per Contact 0.5A
 Voltage - Maximum 30V
 Voltage Key 1.8V

Solder Process Data

Duration at Max. Process Temperature (seconds) 10
 Lead-free Process Capability SMC & Wave Capable (TH only)
 Max. Cycles at Max. Process Temperature 2

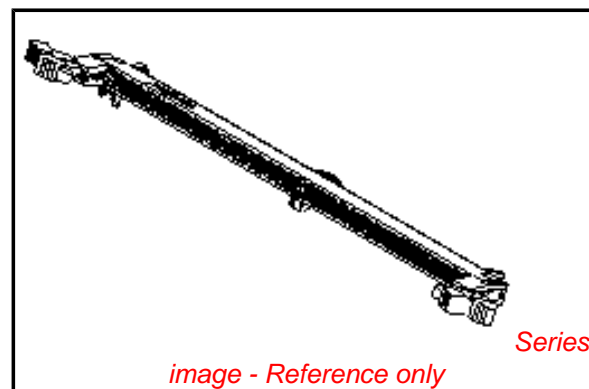


image - Reference only

EU RoHS

**ELV and RoHS
 Compliant**
**REACH SVHC
 Contains SVHC: No
 Halogen-Free
 Status**

China RoHS



**Need more information on product
 environmental compliance?**

Email productcompliance@molex.com
 For a multiple part number RoHS Certificate of Compliance, [click here](#)

Please visit the [Contact Us](#) section for any non-product compliance questions.

Search Parts in this Series

[87916Series](#)

Mates With

JEDEC standard 1.27mm modules

Process Temperature max. C

260

Material Info

Reference - Drawing Numbers

Product Specification

PS-87916-001, RPS-87916-001

Sales Drawing

SD-87916-001

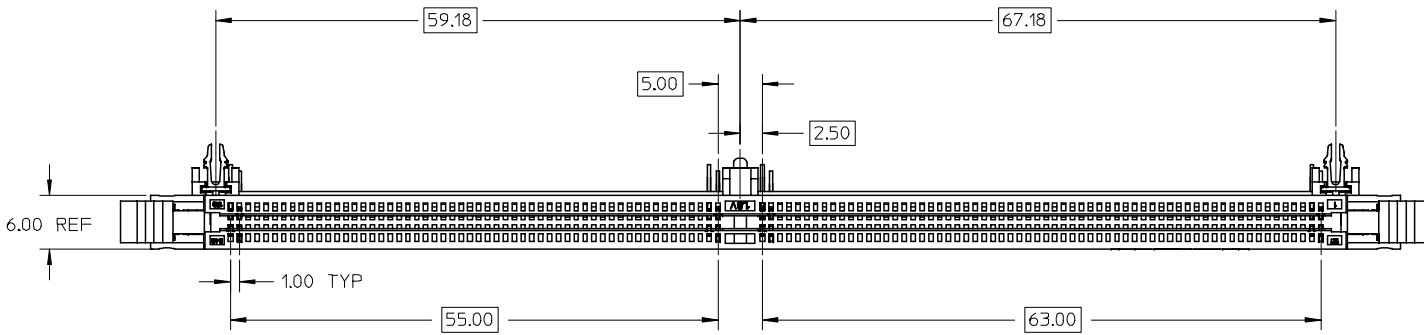
This document was generated on 04/09/2010

PLEASE CHECK WWW.MOLEX.COM FOR LATEST PART INFORMATION

10 9 8 7 6 5 4 3 2 1

F

F

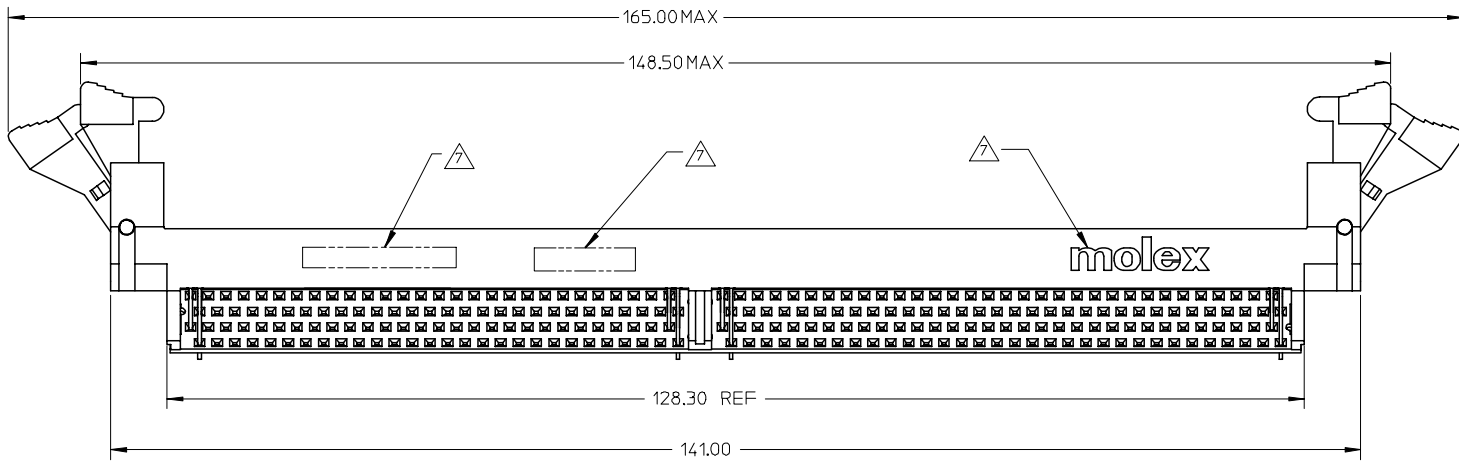


E

E

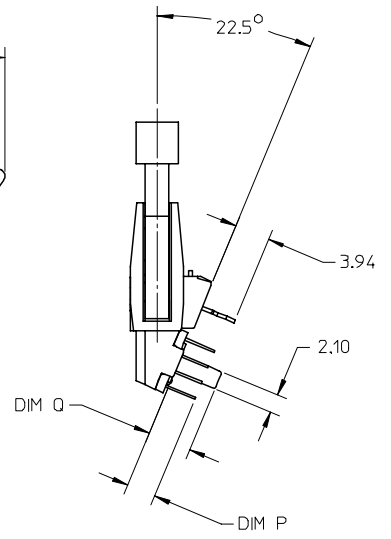
D

D



C

C



B

B

A

A

- NOTES :
- MATERIALS : HOUSING, BASEPLATE AND LATCH.
- HIGH TEMP THERMOPLASTIC, UL94-0.
TERMINALS & FORKLOCK - COPPER ALLOY.
 - PLATING : CONTACT AREA - SEE TABLE IN SHEET 5.
SOLDERTAIL - SEE TABLE IN SHEET 5.
 - CARD SLOT ACCEPTS 1.27+/-0.10MM MODULE THICKNESS
(MEASURED OVER PC PADS).
 - REFER TO PRODUCT SPECIFICATION , PS-87916-001 FOR
PERFORMANCE SPECIFICATION.
 - RECOMMENDED MODULE CARD LAYOUT SHALL BE AS PER JEDEC MO-237.
 - PRODUCT SHALL BE PACKED IN TRAY.
- ▲ MOLEX LOGO, DATE CODE & PART NUMBER INDICATED ON HOUSING.

ADDED OPTION EC NO: S2008-0329 2007/10/24 DRWN:CTEH 2007/10/24 CHKD:TYANG01 2007/10/25 APPR:SHLENI	QUALITY SYMBOLS ▽=0 ▽=0	GENERAL TOLERANCES (UNLESS SPECIFIED)		DIMENSION STYLE MM ONLY		SCALE NTS	DESIGN UNITS METRIC	THIRD ANGLE PROJECTION																	
		<table border="1"> <thead> <tr> <th></th> <th>mm</th> <th>INCH</th> </tr> </thead> <tbody> <tr> <td>4 PLACES</td> <td>± ---</td> <td>± ---</td> </tr> <tr> <td>3 PLACES</td> <td>± ---</td> <td>± ---</td> </tr> <tr> <td>2 PLACES</td> <td>± 0.25</td> <td>± ---</td> </tr> <tr> <td>1 PLACE</td> <td>± ---</td> <td>± ---</td> </tr> </tbody> </table>			mm	INCH	4 PLACES	± ---	± ---	3 PLACES	± ---	± ---	2 PLACES	± 0.25	± ---	1 PLACE	± ---	± ---	DRAWN BY JTAN		DATE 2004/05/11	TITLE DDR2 DIMM, 1.00MM PITCH 240 CKTS, 22.5 DEG			
			mm	INCH																					
		4 PLACES	± ---	± ---																					
3 PLACES	± ---	± ---																							
2 PLACES	± 0.25	± ---																							
1 PLACE	± ---	± ---																							
DRAFT WHERE APPLICABLE MUST REMAIN WITHIN DIMENSIONS		SEE TABLE		APPROVED BY GGLEE		DATE 2004/06/11	MOLEX INCORPORATED																		
A1		REV		MATERIAL NO.		DOCUMENT NO. SD-87916-001		SHEET NO. 1 OF 5																	

9 8 7 6 5 4 3 2 1

10 9 8 7 6 5 4 3 2 1

F

E

D

C

B

A

F

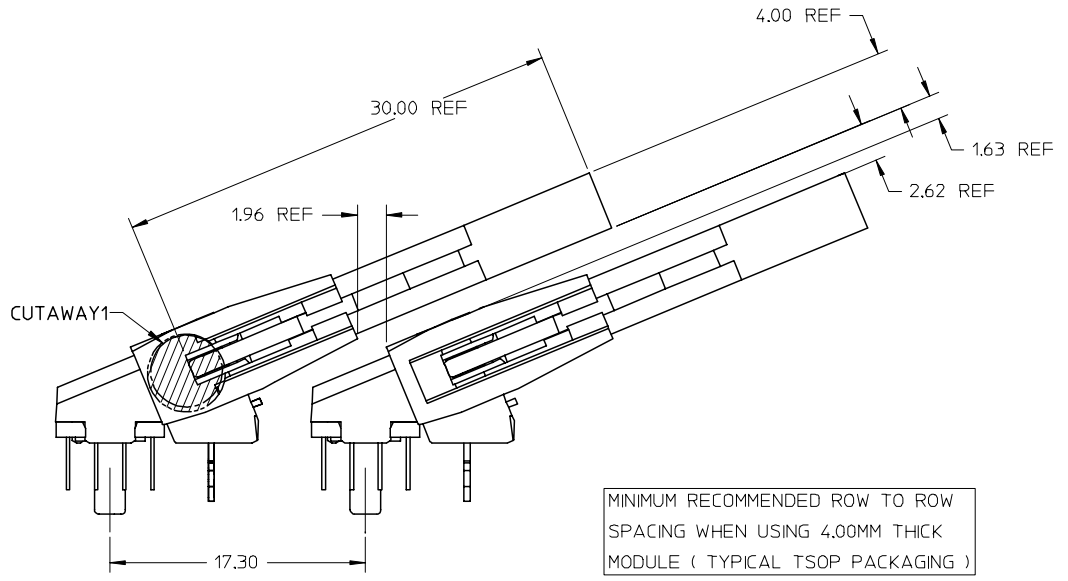
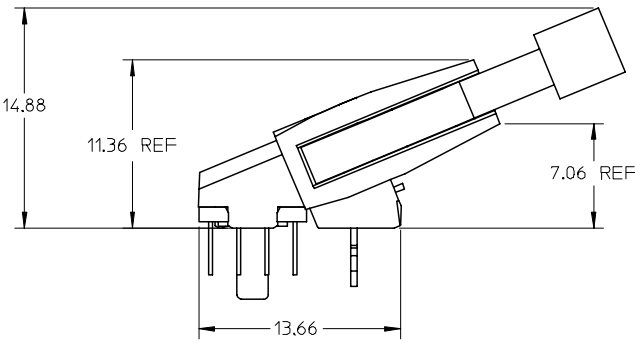
E

D

C

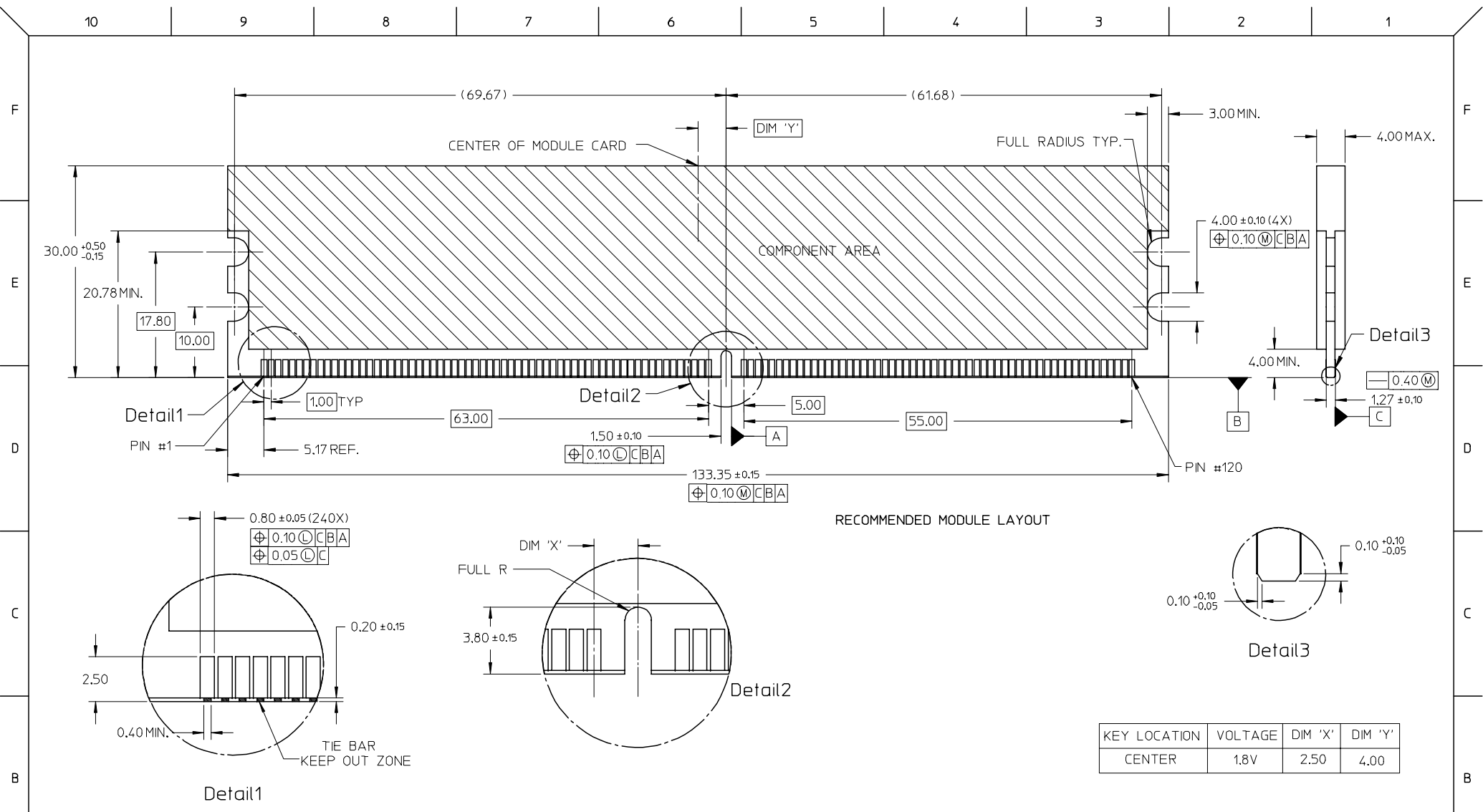
B

A



ADDED OPTION EC NO: S2008-0329 DRWN: CTEH CHKD: TYANG01 APPR: SILENI	2007/10/24 2007/10/24	QUALITY SYMBOLS ▽=0 ◻=0	GENERAL TOLERANCES (UNLESS SPECIFIED)		DIMENSION STYLE MM ONLY		SCALE NTS	DESIGN UNITS METRIC	THIRD ANGLE PROJECTION			
	2007/10/25		DESCRIPTION A1	mm INCH	DRAWN BY JTAN	DATE 2004/05/11	TITLE DDR2 DIMM, 1.00MM PITCH 240 CKTS, 22.5 DEG					
	REV		4 PLACES ± --- ± --- 3 PLACES ± --- ± --- 2 PLACES ± 0.25 ± --- 1 PLACE ± --- ± ---	APPROVED BY MLONG	DATE 2004/06/11	MOLEX INCORPORATED						
	A1		DRAFT WHERE APPLICABLE MUST REMAIN WITHIN DIMENSIONS	APPROVED BY GGLEE	DATE 2004/06/11	MATERIAL NO. SEE TABLE	DOCUMENT NO. SD-87916-001	SHEET NO. 2 OF 5				

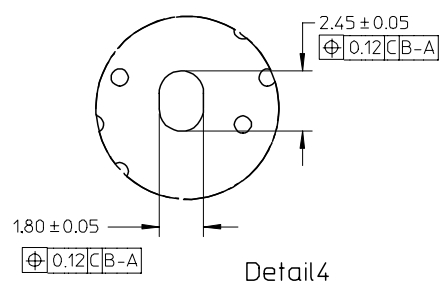
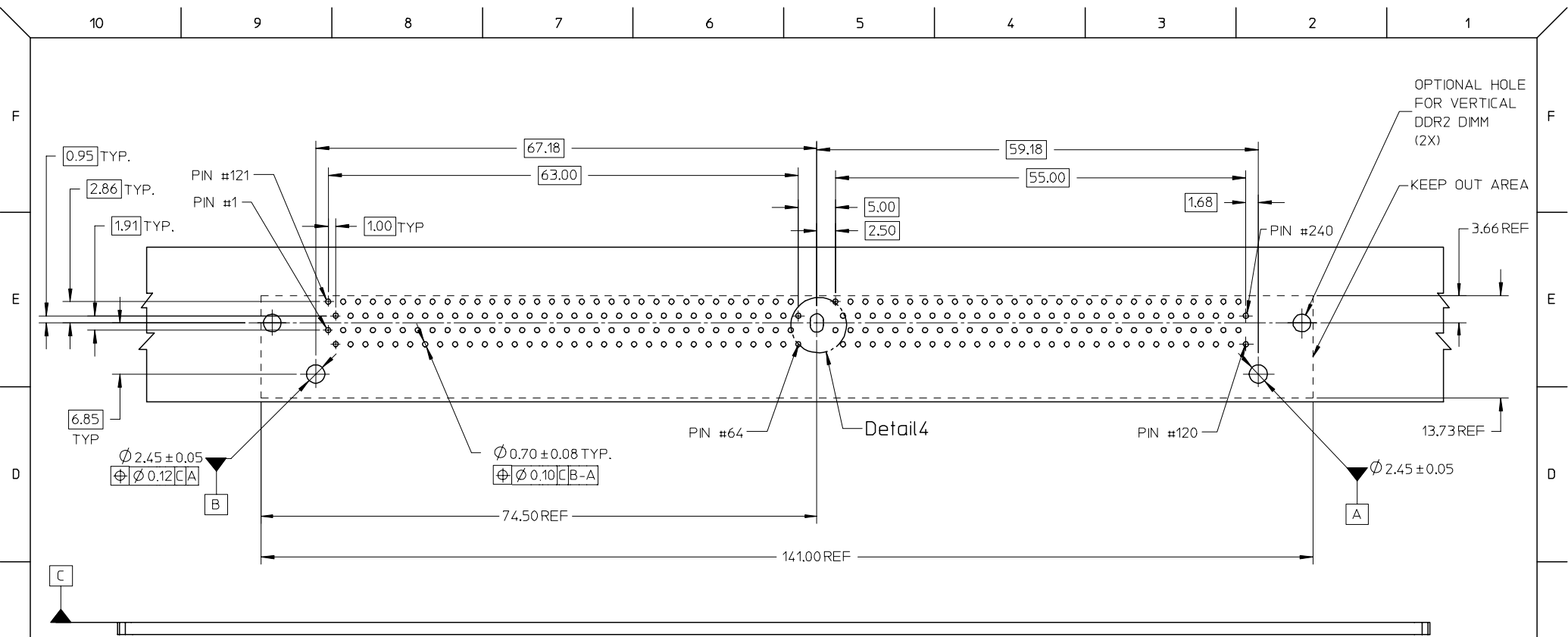
9 8 7 6 5 4 3 2 1



RECOMMENDED MODULE LAYOUT

KEY LOCATION	VOLTAGE	DIM 'X'	DIM 'Y'
CENTER	1.8V	2.50	4.00

ADDED OPTION EC NO: S2008-0329 DRWN: CTEH CHKD: TYANG01 APPR: SHLENI	2007/10/24 2007/10/24 2007/10/25	QUALITY SYMBOLS ▽=0 ◻=0	GENERAL TOLERANCES (UNLESS SPECIFIED)		DIMENSION STYLE MM ONLY		SCALE NTS	DESIGN UNITS METRIC	THIRD ANGLE PROJECTION	
					DRAWN BY JTAN	DATE 2004/05/11	TITLE DDR2 DIMM, 1.00MM PITCH 240 CKTS, 22.5 DEG			
					CHECKED BY MLONG	DATE 2004/06/11				
					APPROVED BY GGLEE	DATE 2004/06/11				
A1		DESCRIPTION	DRAFT WHERE APPLICABLE MUST REMAIN WITHIN DIMENSIONS		MATERIAL NO. SEE TABLE		DOCUMENT NO. SD-87916-001	SHEET NO. 3 OF 5		



ADDED OPTION EC NO: S2008-0329 DRWN: CTEH 2007/10/24 CHKD: TYANG01 2007/10/24 APPR: SILENI 2007/10/25	QUALITY SYMBOLS ▽=0 ▽=0	GENERAL TOLERANCES (UNLESS SPECIFIED) <table border="1"> <thead> <tr> <th></th> <th>mm</th> <th>INCH</th> </tr> </thead> <tbody> <tr> <td>4 PLACES</td> <td>± ---</td> <td>± ---</td> </tr> <tr> <td>3 PLACES</td> <td>± ---</td> <td>± ---</td> </tr> <tr> <td>2 PLACES</td> <td>± 0.25</td> <td>± ---</td> </tr> <tr> <td>1 PLACE</td> <td>± ---</td> <td>± ---</td> </tr> </tbody> </table>		mm	INCH	4 PLACES	± ---	± ---	3 PLACES	± ---	± ---	2 PLACES	± 0.25	± ---	1 PLACE	± ---	± ---	DIMENSION STYLE MM ONLY	SCALE NTS	DESIGN UNITS METRIC	THIRD ANGLE PROJECTION
		mm	INCH																		
	4 PLACES	± ---	± ---																		
	3 PLACES	± ---	± ---																		
2 PLACES	± 0.25	± ---																			
1 PLACE	± ---	± ---																			
		<table border="1"> <thead> <tr> <th>DRAWN BY</th> <th>DATE</th> <th>TITLE</th> </tr> </thead> <tbody> <tr> <td>JTAN</td> <td>2004/05/11</td> <td rowspan="2">DDR2 DIMM, 1.00MM PITCH 240 CKTS, 22.5 DEG</td> </tr> <tr> <td>CHECKED BY</td> <td>DATE</td> </tr> <tr> <td>MLONG</td> <td>2004/06/11</td> <td></td> </tr> <tr> <td>APPROVED BY</td> <td>DATE</td> <td></td> </tr> <tr> <td>GGLEE</td> <td>2004/06/11</td> <td></td> </tr> </tbody> </table>	DRAWN BY	DATE	TITLE	JTAN	2004/05/11	DDR2 DIMM, 1.00MM PITCH 240 CKTS, 22.5 DEG	CHECKED BY	DATE	MLONG	2004/06/11		APPROVED BY	DATE		GGLEE	2004/06/11		MOLEX INCORPORATED	
DRAWN BY	DATE	TITLE																			
JTAN	2004/05/11	DDR2 DIMM, 1.00MM PITCH 240 CKTS, 22.5 DEG																			
CHECKED BY	DATE																				
MLONG	2004/06/11																				
APPROVED BY	DATE																				
GGLEE	2004/06/11																				
		DRAFT WHERE APPLICABLE MUST REMAIN WITHIN DIMENSIONS	MATERIAL NO. SEE TABLE	DOCUMENT NO. SD-87916-001	SHEET NO. 4 OF 5																
A1			SIZE A3 THIS DRAWING CONTAINS INFORMATION THAT IS PROPRIETARY TO MOLEX INCORPORATED AND SHOULD NOT BE USED WITHOUT WRITTEN PERMISSION																		

10 9 8 7 6 5 4 3 2 1

F

F

E

E

D

D

C

C

B

B

A

A

PART NO.	VOLTAGE KEY	DIM 'P'	DIM 'O'	RECOMMENDED PCB THICKNESS	CONTACT AREA PLATING	SOLDERTAIL PLATING
87916-0001	1.8V	2.79	3.18	1.57	0.76µM/ 30µ" GOLD OVER 1.27µM/ 50µ" MIN NICKEL	2.54µM/ 100µ" MIN. TIN OVER 1.27µM/ 50µ" MIN NICKEL
87916-0011		3.18	4.83	2.36		
87916-0111		4.00		3.20		

ADDED OPTION EC NO: S2008-0329 DRWN: CTEH CHKD: TYANG01 APPR: SILENI	2007/10/24 2007/10/24 2007/10/25	QUALITY SYMBOLS ▽=0 ◻=0	DESCRIPTION REV	GENERAL TOLERANCES (UNLESS SPECIFIED)		DIMENSION STYLE MM ONLY		SCALE NTS	DESIGN UNITS METRIC	THIRD ANGLE PROJECTION			
	4 PLACES			± ---	± ---	mm	INCH	DRAWN BY JTAN	DATE 2004/05/11	TITLE DDR2 DIMM, 1.00MM PITCH 240 CKTS, 22.5 DEG			
	3 PLACES			± ---	± ---			CHECKED BY MLONG	DATE 2004/06/11				
2 PLACES	± 0.25	± ---			APPROVED BY GGLEE	DATE 2004/06/11	MOLEX INCORPORATED						
1 PLACE	± ---	± ---			ANGULAR ± 5 °		MATERIAL NO.		DOCUMENT NO.		SHEET NO.		
DRAFT WHERE APPLICABLE MUST REMAIN WITHIN DIMENSIONS				SEE TABLE		SD-87916-001		5 OF 5					
A1				SIZE A3		THIS DRAWING CONTAINS INFORMATION THAT IS PROPRIETARY TO MOLEX INCORPORATED AND SHOULD NOT BE USED WITHOUT WRITTEN PERMISSION							

9 8 7 6 5 4 3 2 1

Компания «Океан Электроники» предлагает заключение долгосрочных отношений при поставках импортных электронных компонентов на взаимовыгодных условиях!

Наши преимущества:

- Поставка оригинальных импортных электронных компонентов напрямую с производств Америки, Европы и Азии, а так же с крупнейших складов мира;
- Широкая линейка поставок активных и пассивных импортных электронных компонентов (более 30 млн. наименований);
- Поставка сложных, дефицитных, либо снятых с производства позиций;
- Оперативные сроки поставки под заказ (от 5 рабочих дней);
- Экспресс доставка в любую точку России;
- Помощь Конструкторского Отдела и консультации квалифицированных инженеров;
- Техническая поддержка проекта, помощь в подборе аналогов, поставка прототипов;
- Поставка электронных компонентов под контролем ВП;
- Система менеджмента качества сертифицирована по Международному стандарту ISO 9001;
- При необходимости вся продукция военного и аэрокосмического назначения проходит испытания и сертификацию в лаборатории (по согласованию с заказчиком);
- Поставка специализированных компонентов военного и аэрокосмического уровня качества (Xilinx, Altera, Analog Devices, Intersil, Interpoint, Microsemi, Actel, Aeroflex, Peregrine, VPT, Syfer, Eurofarad, Texas Instruments, MS Kennedy, Miteq, Cobham, E2V, MA-COM, Hittite, Mini-Circuits, General Dynamics и др.);

Компания «Океан Электроники» является официальным дистрибьютором и эксклюзивным представителем в России одного из крупнейших производителей разъемов военного и аэрокосмического назначения «**JONHON**», а так же официальным дистрибьютором и эксклюзивным представителем в России производителя высокотехнологичных и надежных решений для передачи СВЧ сигналов «**FORSTAR**».



JONHON

«**JONHON**» (основан в 1970 г.)

Разъемы специального, военного и аэрокосмического назначения:

(Применяются в военной, авиационной, аэрокосмической, морской, железнодорожной, горно- и нефтедобывающей отраслях промышленности)

«**FORSTAR**» (основан в 1998 г.)

ВЧ соединители, коаксиальные кабели,
кабельные сборки и микроволновые компоненты:

(Применяются в телекоммуникациях гражданского и специального назначения, в средствах связи, РЛС, а так же военной, авиационной и аэрокосмической отраслях промышленности).



Телефон: 8 (812) 309-75-97 (многоканальный)

Факс: 8 (812) 320-03-32

Электронная почта: ocean@oceanchips.ru

Web: <http://oceanchips.ru/>

Адрес: 198099, г. Санкт-Петербург, ул. Калинина, д. 2, корп. 4, лит. А