

MATERIAL (RoHS COMPLIANT):

CAGE:  
COPPER ALLOY

PLATING:(SEE PART NUMBER FOR OPTION)

OPTION1:100μ" [2.54 μm] MIN. BRIGHT TIN PLATING OVER 50 μ" (1.27 μm) MIN. NICKEL UNDER PLATING. (BRIGHT TIN SOLDER TEMPERATURE 230°C MAX.).

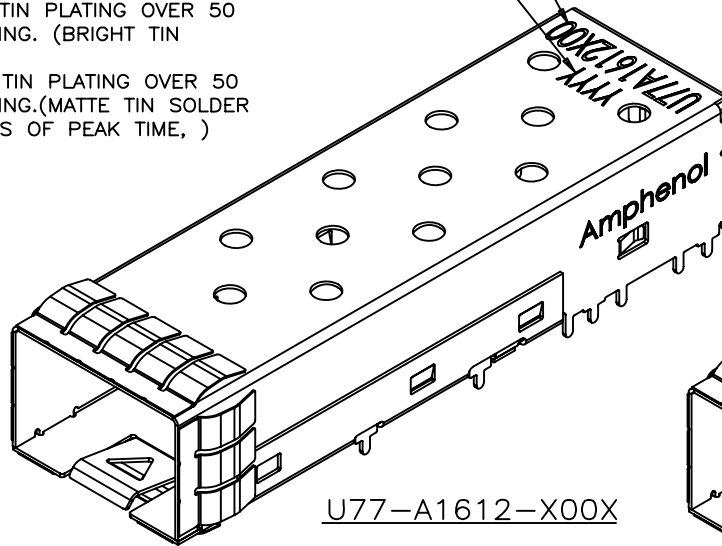
OPTION3: 100μ" [2.54 μm] MIN. MATTE TIN PLATING OVER 50 μ" (1.27 μm) MIN. NICKEL UNDER PLATING.(MATTE TIN SOLDER TEMPRETURE 245°C MAX. IN 10 SECONDS OF PEAK TIME, )

PACKAGING:  
TAPE AND REEL OR TRAY PACKAGING.

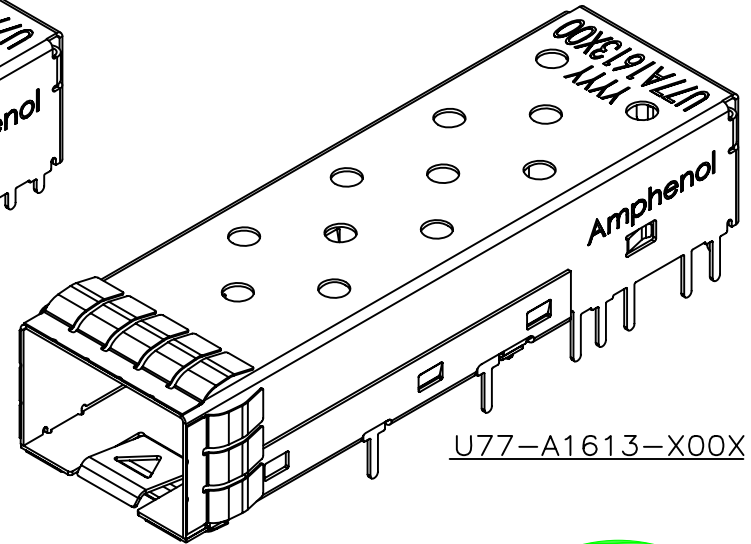
TEMPERATURE RANGE:  
-40°C TO +85°C

PART NUMBER  
(P/N DOES NOT INCLUDE  
PACKAGING OPTION)

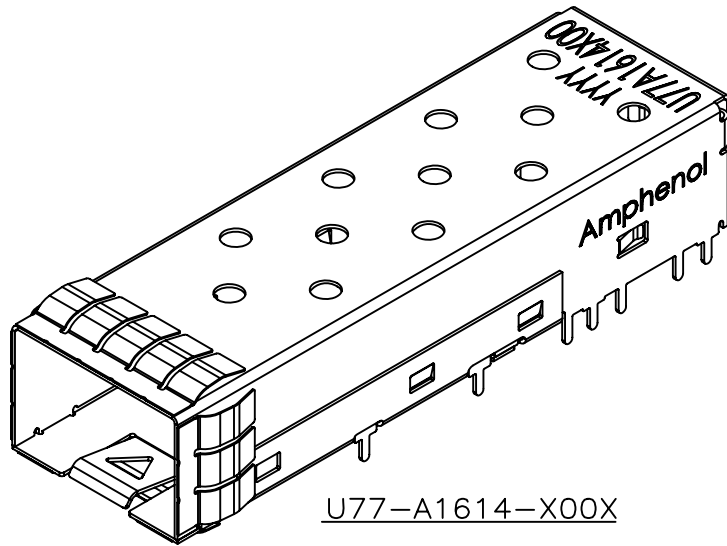
DATE CODE



U77-A1612-X00X



U77-A1613-X00X



U77-A1614-X00X

REVISIONS				
SYM	ZONE	ECN, ERN NO.	DATE	APPRD.
A		PROPOSAL	AR04/08	



AMPHENOL PART NUMBER CONFIGURATION

U77 - A 1 6 1 X - X 0 0 X

SOLDER TAIL HEIGHT

- 2 = 1.2 mm (20 SOLDER PINS)
- 3 = 3.2 mm (20 SOLDER PINS)
- 4 = 1.8 mm (20 SOLDER PINS)

PLATING

- 1 = BRIGHT TIN PLATING
- 3 = MATTE TIN PLATING

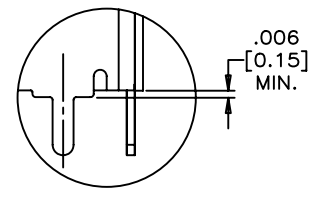
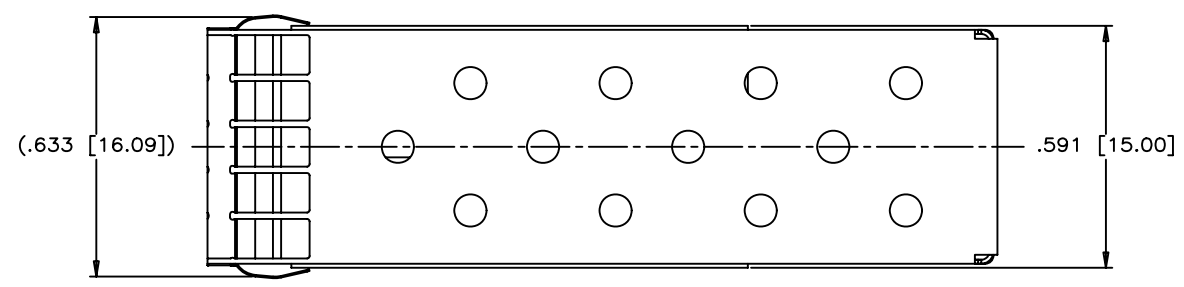
PACKAGING

- 1 = TRAY PACKAGING  
(SEE PAGE 5 FOR DETAILS)
- T = TAPE & REEL PACKAGING  
(STANDARD CAGE ORIENTATION)  
(SEE PAGE 6 FOR DETAILS)
- R = TAPE & REEL PACKAGING  
(REVERSED CAGE ORIENTATION)  
(SEE PAGE 7 FOR DETAILS)

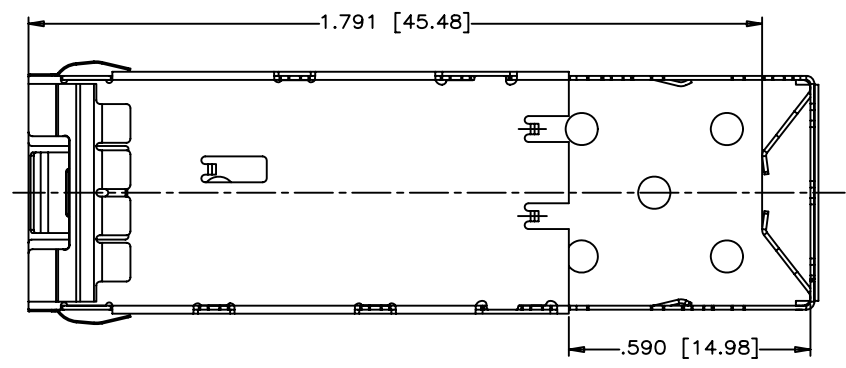
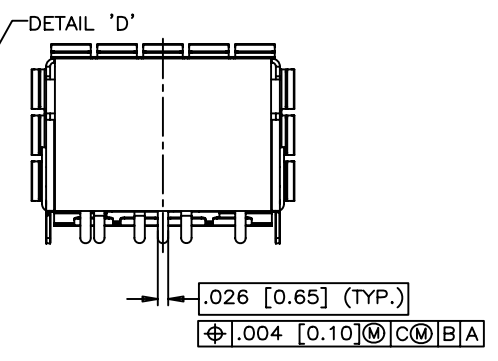
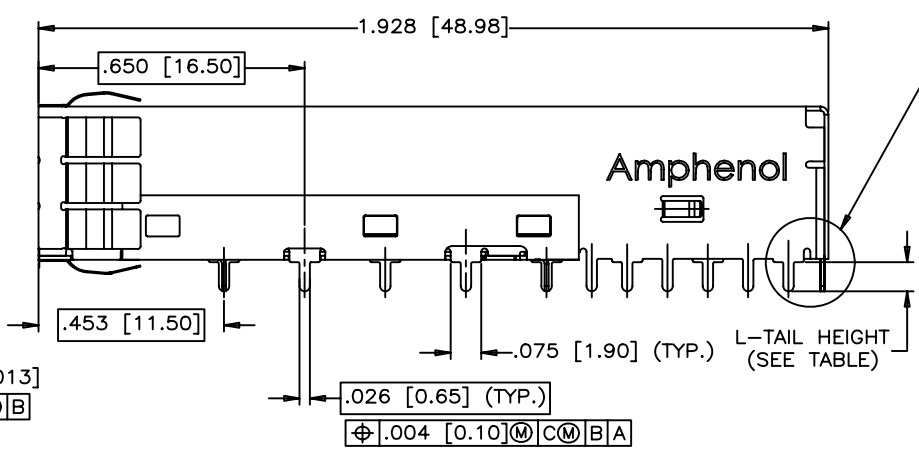
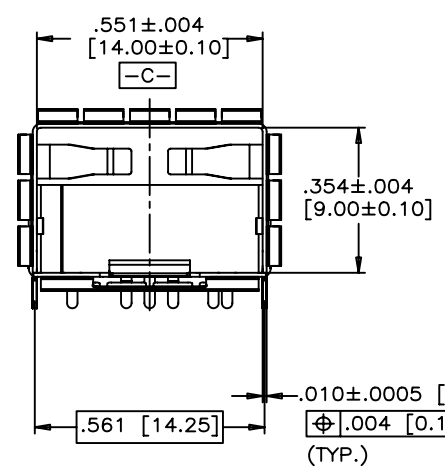
DRAWN	J.SI	DATE	AR03/08	Amphenol Canada Corp.	
DESIGNED	J.SI	DATE	AR03/08		
CHECKED	X		X	TITLE	
				IPF SINGLE CAGE WITH SOLDER PINS	
DWG. APPRD.				DWG	DRAWING NO.
ENG. REL. NO.				A	P-U77-A161X-X00X
REF.	X				REV. A
DIMENSIONS ARE IN		CODE ID. NO.	03554	SCALE	2:1
INCHES (mm)				WT.	
				SURF.	
				SHEET 1 OF 7	

THIS DOCUMENT CONTAINS PROPRIETARY INFORMATION AND SUCH INFORMATION MAY NOT BE DISCLOSED TO OTHERS FOR ANY PURPOSE OR USED FOR MANUFACTURING PURPOSES WITHOUT WRITTEN PERMISSION FROM AMPHENOL CANADA CORP.

REVISIONS				
SYM	ZONE	ECN, ERN NO.	DATE	APPRD.
A		PROPOSAL	APR04/08	



DETAIL 'D'  
SCALE 4:1



TABLE

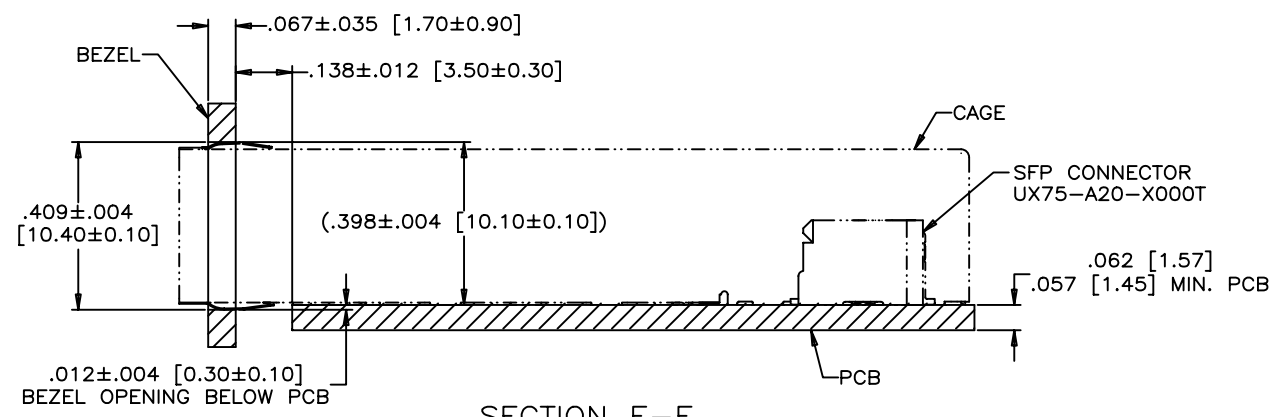
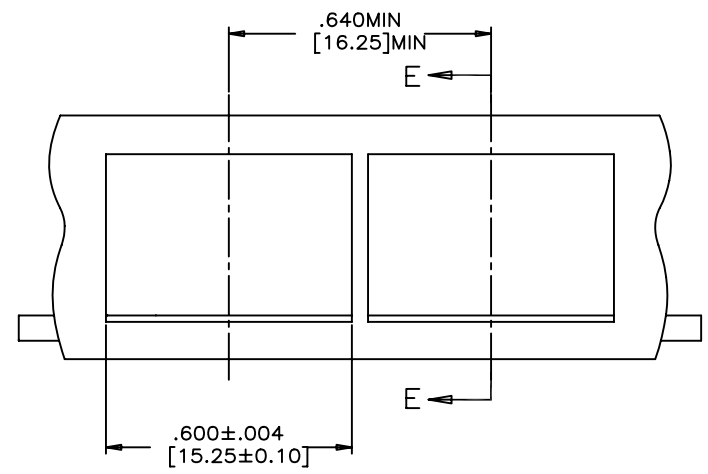
PART NUMBER	SOLDER TAIL HEIGHT (mm)
U77-A1612-X00X	1.20
U77-A1613-X00X	3.20
U77-A1614-X00X	1.80

DRAWN	J.SI	DATE	APR03/08
DESIGNED	J.SI	DATE	APR03/08
CHECKED	X		
DWG. APPRD.			
ENG. REL. NO.			
REF.	X		
DIMENSIONS ARE IN	CODE ID. NO.		
INCHES (mm)	03554		

Amphenol Canada Corp.		
TITLE		
IPF SINGLE CAGE WITH SOLDER PINS		
DWG	DRAWING NO.	REV.
A	P-U77-A161X-X00X	A
SCALE	WT.	SURF.
2:1		
SHEET 2 OF 7		

THIS DOCUMENT CONTAINS PROPRIETARY INFORMATION AND SUCH INFORMATION MAY NOT BE DISCLOSED TO OTHERS FOR ANY PURPOSE OR USED FOR MANUFACTURING PURPOSES WITHOUT WRITTEN PERMISSION FROM AMPHENOL CANADA CORP.

REVISIONS				
SYM	ZONE	ECN, ERN NO.	DATE	APPRD.
A		PROPOSAL	APR04/08	



SECTION E-E

RECOMMENDED BEZEL DESIGN  
(ONE SIDE CAGE MOUNTING)

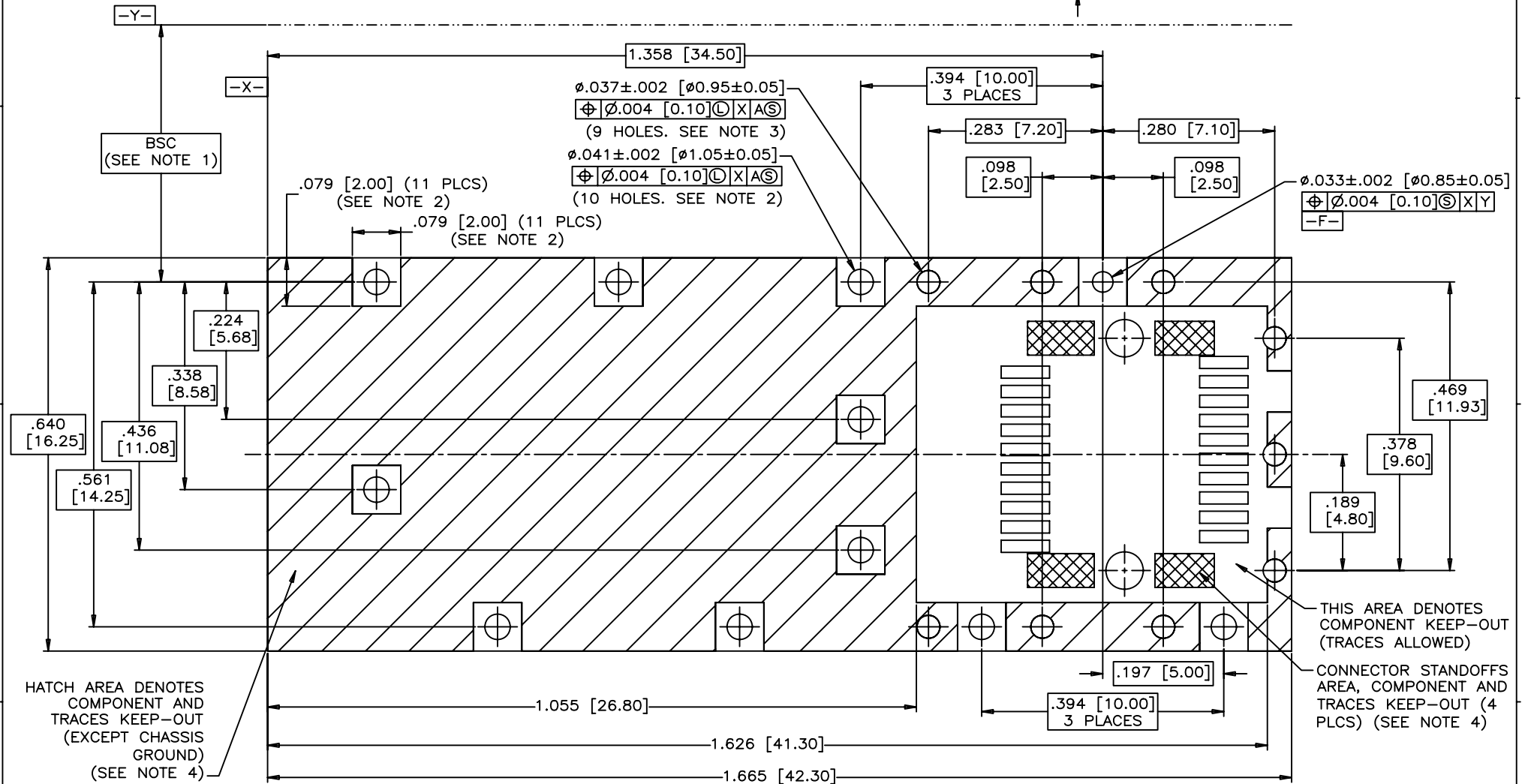
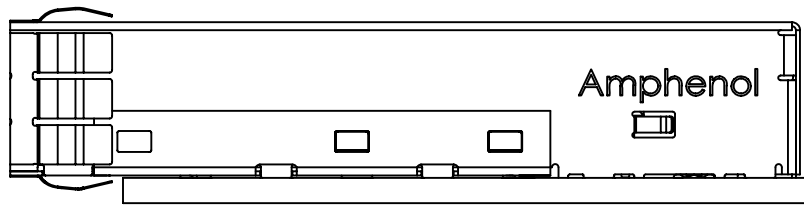
DRAWN	J.SI	DATE	APR03/08
DESIGNED	J.SI	DATE	APR03/08
CHECKED	X		
DWG. APPRD.			
ENG. REL. NO.			
REF.	X		
DIMENSIONS ARE IN	INCHES (mm)	CODE ID. NO.	03554

Amphenol Canada Corp.		
TITLE		
IPF SINGLE CAGE WITH SOLDER PINS		
DWG	DRAWING NO.	REV.
A	P-U77-A161X-X00X	A
SCALE	2:1	WT. _____ SURF. _____ SHEET 3 OF 7

THIS DOCUMENT CONTAINS PROPRIETARY INFORMATION AND SUCH INFORMATION MAY NOT BE DISCLOSED TO OTHERS FOR ANY PURPOSE OR USED FOR MANUFACTURING PURPOSES WITHOUT WRITTEN PERMISSION FROM AMPHENOL CANADA CORP.

- NOTES:  
 1. DATUM AND BASIC DIMENSIONS ESTABLISHED BY CUSTOMER  
 2. PADS AND VIAS ARE CHASSIS GROUND, 11 PLACES.  
 3. THRU HOLES, PLATING OPTIONAL.  
 4. SEE DRAWINGS P-UX75-A20-X000X FOR CONNECTOR PCB LAYOUT.

REVISIONS				
SYM	ZONE	ECN, ERN NO.	DATE	APPRD.
A		PROPOSAL	APR04/08	



RECOMMENDED SFP HOST BOARD LAYOUT  
 (ONE SIDE CAGE MOUNTING)  
 (SCALE 4:1)

DRAWN	J.SI	DATE	APR03/08
DESIGNED	J.SI	DATE	APR03/08
CHECKED	X		
DWG. APPRD.			
ENG. REL. NO.			
REF.	X		
DIMENSIONS ARE IN	CODE ID. NO.		
INCHES (mm)	03554		

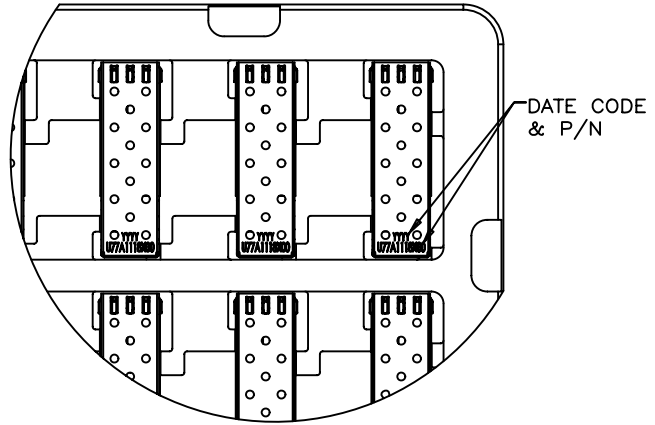
Amphenol Canada Corp.		
TITLE		
IPF SINGLE CAGE WITH SOLDER PINS		
DWG	DRAWING NO.	REV.
A	P-U77-A161X-X00X	A
SCALE	WT.	SURF.
2:1		
		SHEET 4 OF 7

THIS DOCUMENT CONTAINS PROPRIETARY INFORMATION AND SUCH INFORMATION MAY NOT BE DISCLOSED TO OTHERS FOR ANY PURPOSE OR USED FOR MANUFACTURING PURPOSES WITHOUT WRITTEN PERMISSION FROM AMPHENOL CANADA CORP.

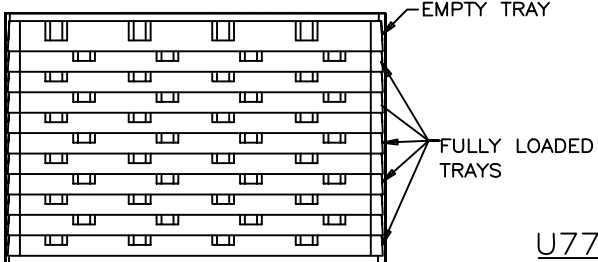
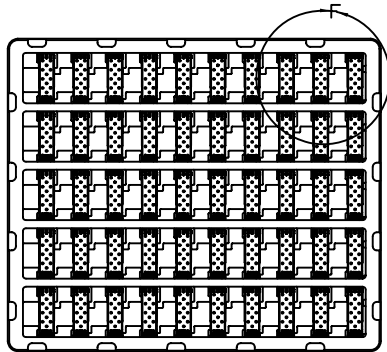
NOTES:

1. A FULLY LOADED TRAY TO CONTAIN 50 CAGES.
2. PLACE TRAYS INTO THE CARTON AS SHOWN. FULLY LOADED CARTON SHALL CONTAIN 10 TRAYS (500 SFP CAGES) PLUS ONE EMPTY TRAY ON THE TOP AS A COVER. FILL EMPTY SPACE IN THE CARTON WITH PAPER FOR ANY PARTIAL SHIPMENT.

REVISIONS				
SYM	ZONE	ECN, ERN NO.	DATE	APPRD.
A		PROPOSAL	APR04/08	

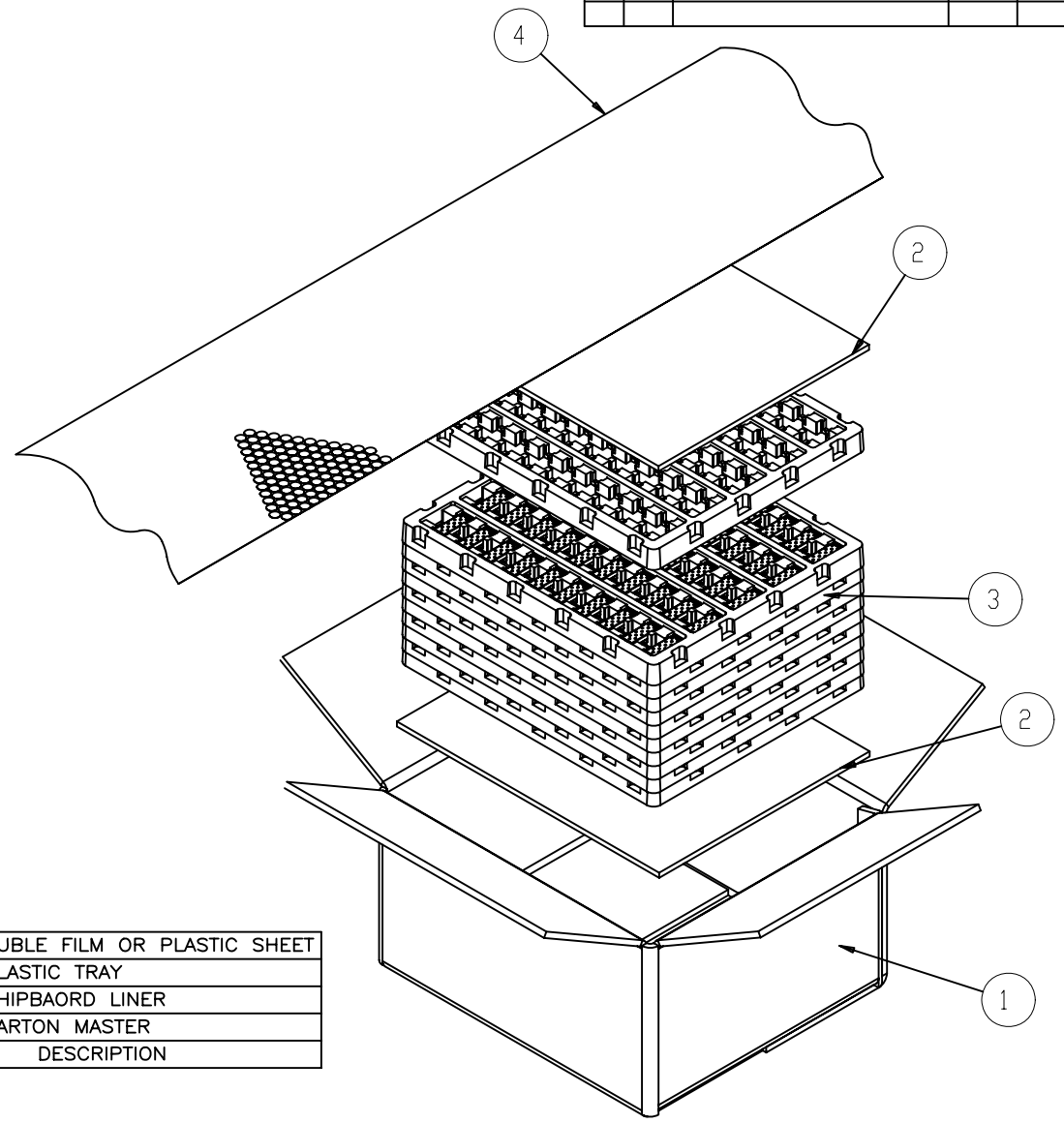


DETAIL F  
SCALE 1:2



4	BUBLE FILM OR PLASTIC SHEET
3	PLASTIC TRAY
2	CHIPBOARD LINER
1	CARTON MASTER
ITEM No.	DESCRIPTION

U77-A161X-X001 SHOWN  
(CAGE SHOWN FOR REF. ONLY)



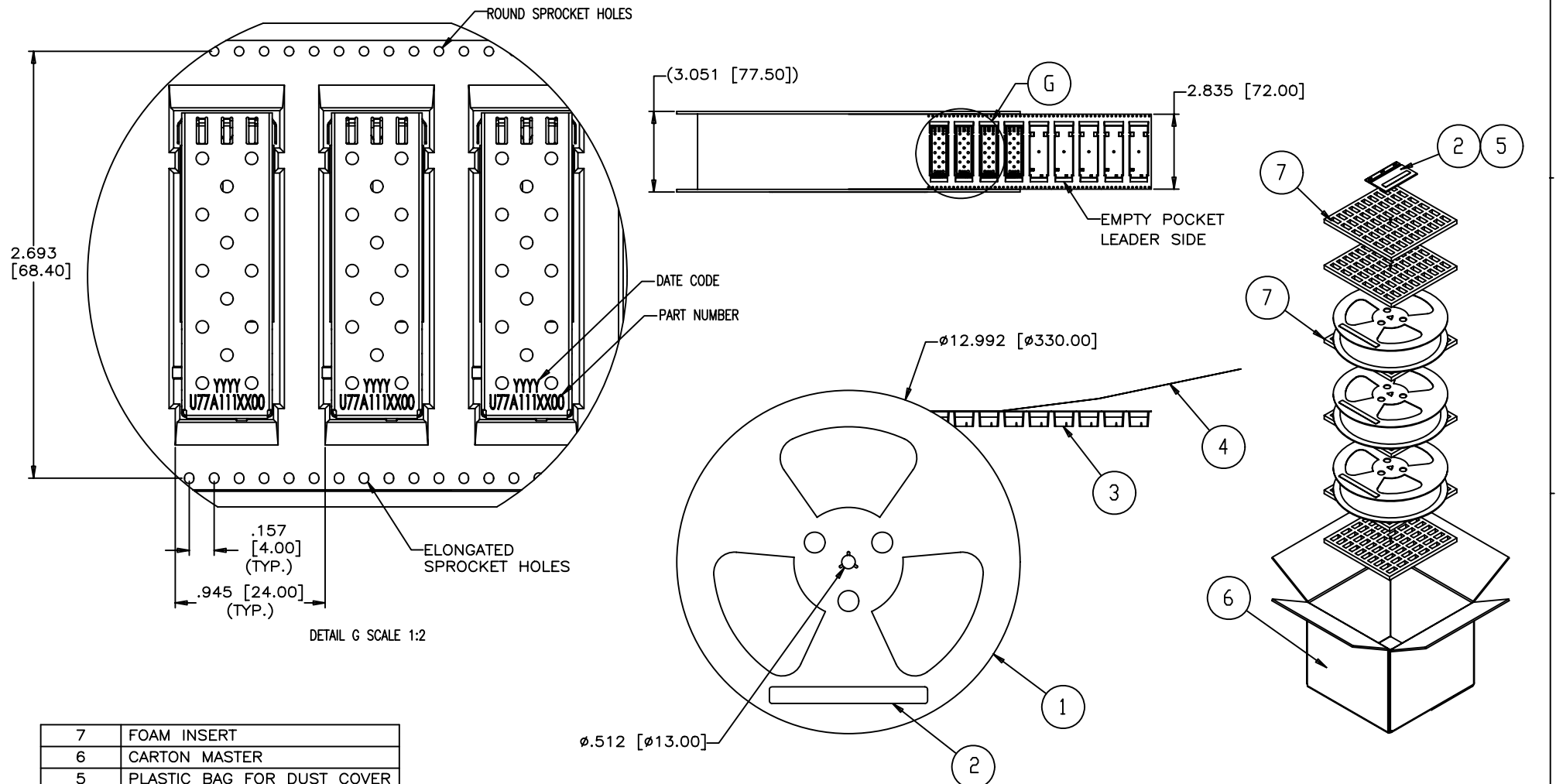
DRAWN	J.SI	DATE	APR03/08	Amphenol Canada Corp.	
DESIGNED	J.SI	DATE	APR03/08		
CHECKED	X		X	TITLE	
				SFP/IPF SINGLE CAGE (TRAY PACKAGING REFERENCE)	
DWG. APPRD.		DWG.	A	DRAWING NO.	P-U77-A161X-X00X
ENG. REL. NO.		REF.	X	REV.	A
DIMENSIONS ARE IN INCHES (mm)		CODE ID. NO.	03554	SCALE	1:8
		WT.		SURF.	
		SHEET 5 OF 7			

THIS DOCUMENT CONTAINS PROPRIETARY INFORMATION AND SUCH INFORMATION MAY NOT BE DISCLOSED TO OTHERS FOR ANY PURPOSE OR USED FOR MANUFACTURING PURPOSES WITHOUT WRITTEN PERMISSION FROM AMPHENOL CANADA CORP.

NOTES:

1. A FULLY LOADED REEL TO CONTAIN 150 CAGES FOR U77-A1612-X00X AND U77-A1614-X00X.  
A FULLY LOADED REEL TO CONTAIN 130 CAGES FOR U77-A1613-X00X.
2. A FULLY LOADED CARTON SHALL CONTAIN 3 REELS.

REVISIONS				
SYM	ZONE	ECN, ERN NO.	DATE	APPRD.
A		PROPOSAL	APR04/08	



DETAIL G SCALE 1:2

U77-A161X-X00T SHOWN  
(CAGE SHOWN FOR REF. ONLY)

ITEM No.	DESCRIPTION
7	FOAM INSERT
6	CARTON MASTER
5	PLASTIC BAG FOR DUST COVER
4	COVER TAPE
3	CARRIER TAPE
2	LABEL
1	PLASTIC REEL (SET)

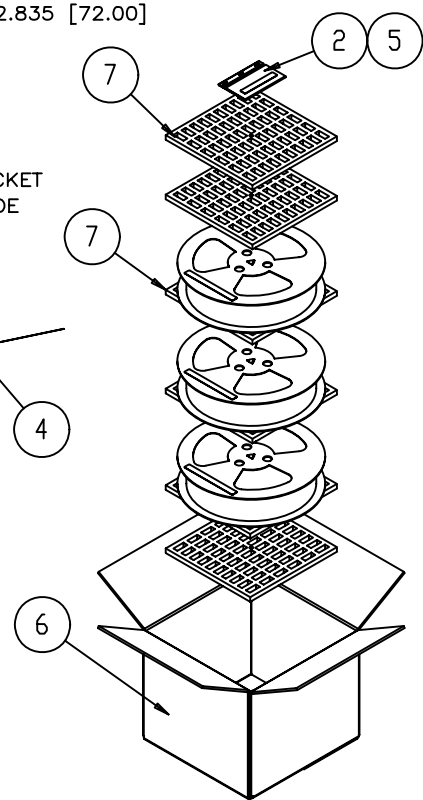
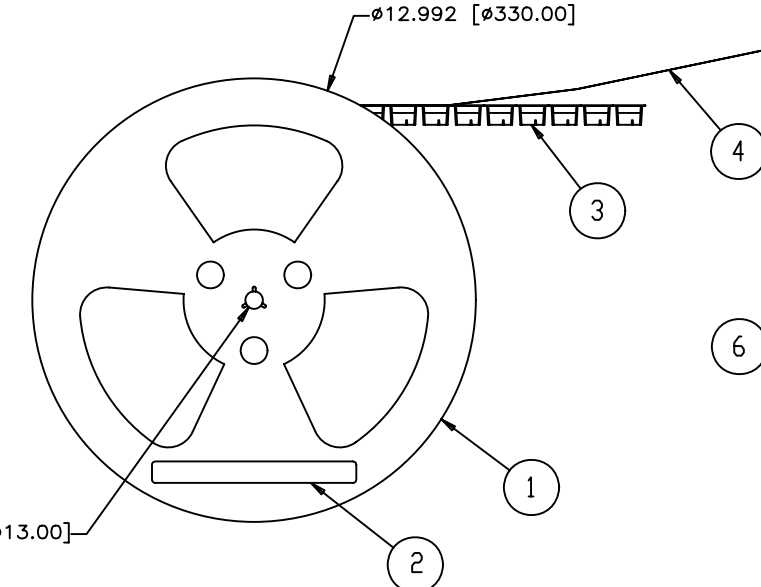
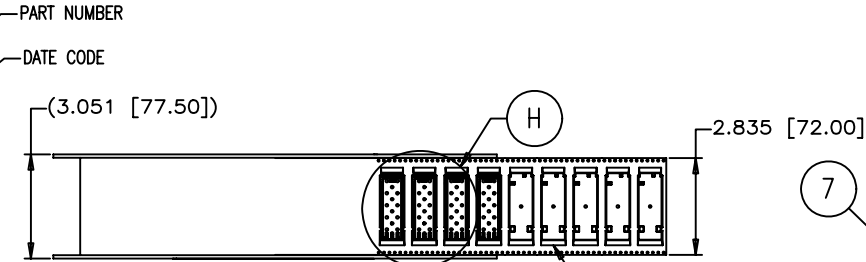
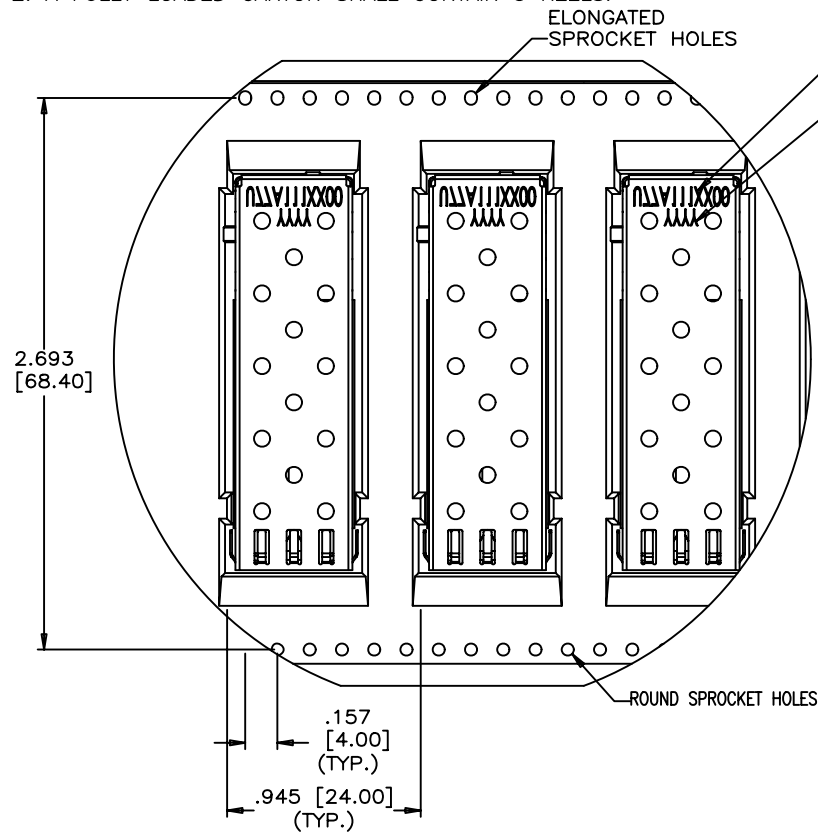
DRAWN	J.SI	DATE	APR03/08	Amphenol Canada Corp.	
DESIGNED	J.SI	DATE	APR03/08		
CHECKED	X		X	TITLE	
				SFP/IPF SINGLE CAGE (T&R PACKAGING STD CAGE ORIENTATION)	
DWG. APPRD.				DWG	DRAWING NO.
ENG. REL. NO.				A	P-U77-A161X-X00X
REF.	X			REV.	A
DIMENSIONS ARE IN	INCHES (mm)	CODE ID. NO.	03554	SCALE	1:8
				WT.	
				SURF.	
				SHEET	6 OF 7

THIS DOCUMENT CONTAINS PROPRIETARY INFORMATION AND SUCH INFORMATION MAY NOT BE DISCLOSED TO OTHERS FOR ANY PURPOSE OR USED FOR MANUFACTURING PURPOSES WITHOUT WRITTEN PERMISSION FROM AMPHENOL CANADA CORP.

NOTES:

1. A FULLY LOADED REEL TO CONTAIN 150 CAGES FOR U77-A1612-X00X AND U77-A1614-X00X.  
A FULLY LOADED REEL TO CONTAIN 130 CAGES FOR U77-A1613-X00X.
2. A FULLY LOADED CARTON SHALL CONTAIN 3 REELS.

REVISIONS				
SYM	ZONE	ECN, ERN NO.	DATE	APPRD.
A		PROPOSAL	APR04/08	



DETAIL H SCALE 1:2

U77-A161X-X00R SHOWN  
(CAGE SHOWN FOR REF. ONLY)

ITEM No.	DESCRIPTION
7	FOAM INSERT
6	CARTON MASTER
5	PLASTIC BAG FOR DUST COVER
4	COVER TAPE
3	CARRIER TAPE
2	LABEL
1	PLASTIC REEL (SET)

DRAWN	J.SI	DATE	APR03/08
DESIGNED	J.SI	DATE	APR03/08
CHECKED	X		X
DWG. APPRD.			
ENG. REL. NO.			
REF.	X		
DIMENSIONS ARE IN	INCHES (mm)	CODE ID. NO.	03554

Amphenol Canada Corp.		
TITLE SFP/IPF SINGLE CAGE (T&R PACKAGING REVERSED CAGE ORIENTATION)		
DWG	DRAWING NO.	REV.
A	P-U77-A161X-X00X	A
SCALE	1:8	WT. _____ SURF. _____ SHEET 7 OF 7

THIS DOCUMENT CONTAINS PROPRIETARY INFORMATION AND SUCH INFORMATION MAY NOT BE DISCLOSED TO OTHERS FOR ANY PURPOSE OR USED FOR MANUFACTURING PURPOSES WITHOUT WRITTEN PERMISSION FROM AMPHENOL CANADA CORP.

Компания «Океан Электроники» предлагает заключение долгосрочных отношений при поставках импортных электронных компонентов на взаимовыгодных условиях!

Наши преимущества:

- Поставка оригинальных импортных электронных компонентов напрямую с производств Америки, Европы и Азии, а так же с крупнейших складов мира;
- Широкая линейка поставок активных и пассивных импортных электронных компонентов (более 30 млн. наименований);
- Поставка сложных, дефицитных, либо снятых с производства позиций;
- Оперативные сроки поставки под заказ (от 5 рабочих дней);
- Экспресс доставка в любую точку России;
- Помощь Конструкторского Отдела и консультации квалифицированных инженеров;
- Техническая поддержка проекта, помощь в подборе аналогов, поставка прототипов;
- Поставка электронных компонентов под контролем ВП;
- Система менеджмента качества сертифицирована по Международному стандарту ISO 9001;
- При необходимости вся продукция военного и аэрокосмического назначения проходит испытания и сертификацию в лаборатории (по согласованию с заказчиком);
- Поставка специализированных компонентов военного и аэрокосмического уровня качества (Xilinx, Altera, Analog Devices, Intersil, Interpoint, Microsemi, Actel, Aeroflex, Peregrine, VPT, Syfer, Eurofarad, Texas Instruments, MS Kennedy, Miteq, Cobham, E2V, MA-COM, Hittite, Mini-Circuits, General Dynamics и др.);

Компания «Океан Электроники» является официальным дистрибьютором и эксклюзивным представителем в России одного из крупнейших производителей разъемов военного и аэрокосмического назначения «JONHON», а так же официальным дистрибьютором и эксклюзивным представителем в России производителя высокотехнологичных и надежных решений для передачи СВЧ сигналов «FORSTAR».



## JONHON

«JONHON» (основан в 1970 г.)

Разъемы специального, военного и аэрокосмического назначения:

(Применяются в военной, авиационной, аэрокосмической, морской, железнодорожной, горно- и нефтедобывающей отраслях промышленности)

«FORSTAR» (основан в 1998 г.)

ВЧ соединители, коаксиальные кабели, кабельные сборки и микроволновые компоненты:

(Применяются в телекоммуникациях гражданского и специального назначения, в средствах связи, РЛС, а так же военной, авиационной и аэрокосмической отраслях промышленности).



Телефон: 8 (812) 309-75-97 (многоканальный)

Факс: 8 (812) 320-03-32

Электронная почта: [ocean@oceanchips.ru](mailto:ocean@oceanchips.ru)

Web: <http://oceanchips.ru/>

Адрес: 198099, г. Санкт-Петербург, ул. Калинина, д. 2, корп. 4, лит. А