

# **ML610Q411/412 Reference Board User's Manual**

---

## NOTICE

No copying or reproduction of this document, in part or in whole, is permitted without the consent of LAPIS Semiconductor Co., Ltd.

The content specified herein is subject to change for improvement without notice.

The content specified herein is for the purpose of introducing LAPIS Semiconductor's products (hereinafter "Products"). If you wish to use any such Product, please be sure to refer to the specifications, which can be obtained from LAPIS Semiconductor upon request.

Examples of application circuits, circuit constants and any other information contained herein illustrate the standard usage and operations of the Products. The peripheral conditions must be taken into account when designing circuits for mass production.

Great care was taken in ensuring the accuracy of the information specified in this document. However, should you incur any damage arising from any inaccuracy or misprint of such information, LAPIS Semiconductor shall bear no responsibility for such damage.

The technical information specified herein is intended only to show the typical functions of and examples of application circuits for the Products. LAPIS Semiconductor does not grant you, explicitly or implicitly, any license to use or exercise intellectual property or other rights held by LAPIS Semiconductor and other parties. LAPIS Semiconductor shall bear no responsibility whatsoever for any dispute arising from the use of such technical information.

The Products specified in this document are intended to be used with general-use electronic equipment or devices (such as audio visual equipment, office-automation equipment, communication devices, electronic appliances and amusement devices).

The Products specified in this document are not designed to be radiation tolerant.

While LAPIS Semiconductor always makes efforts to enhance the quality and reliability of its Products, a Product may fail or malfunction for a variety of reasons.

Please be sure to implement in your equipment using the Products safety measures to guard against the possibility of physical injury, fire or any other damage caused in the event of the failure of any Product, such as derating, redundancy, fire control and fail-safe designs. LAPIS Semiconductor shall bear no responsibility whatsoever for your use of any Product outside of the prescribed scope or not in accordance with the instruction manual.

The Products are not designed or manufactured to be used with any equipment, device or system which requires an extremely high level of reliability the failure or malfunction of which may result in a direct threat to human life or create a risk of human injury (such as a medical instrument, transportation equipment, aerospace machinery, nuclear-reactor controller, fuel-controller or other safety device). LAPIS Semiconductor shall bear no responsibility in any way for use of any of the Products for the above special purposes. If a Product is intended to be used for any such special purpose, please contact a ROHM sales representative before purchasing.

If you intend to export or ship overseas any Product or technology specified herein that may be controlled under the Foreign Exchange and the Foreign Trade Law, you will be required to obtain a license or permit under the Law.

## Preface

This manual describes the ML610Q411/412 Reference Board.

The following manuals are also available. Read them as necessary.

- ML610Q411/Q412/Q415 User's Manual  
Description on the ML610Q411/ML610Q412/ML610Q415
- uEASE User's Manual  
Description on the on-chip debug tool uEASE.

# 1. Overview

## 1.1 Features

ML610Q411/412ReferenceBoard is a board for evaluating the function of ML610Q411 or ML610Q412. This board can connect the pin of ML610Q411/412 with a user application system, it can perform the check of a system of operation easily.

By using the board with "on-chip debug emulator" (hereinafter referred to "uEASE") not only Software debugging but also writing Flash ROM in the devices are capable.

The hardware specification of this board is shown below.

Embedded microcontroller	<ul style="list-style-type: none"> <li>U1: ML610Q411 or ML610Q412 (The part name is labeled on the solder side of the board.)</li> </ul>
Embedded parts	<ul style="list-style-type: none"> <li>X1, C3, C4: 32.768KHz resonator and capacitors</li> </ul>
	<ul style="list-style-type: none"> <li>PWR: Jumper for input power supply switch ( 3pin pin-header and short pin )</li> </ul>
	<ul style="list-style-type: none"> <li>CNUE: Connector for uEASE ( 14pin connector )</li> </ul>
	<ul style="list-style-type: none"> <li>C2, C5-C13: Capacitors for power supply</li> </ul>
Pads for mounting	<ul style="list-style-type: none"> <li>CNU1 to CNU4: Pads for peripheral board connectors ( 34pin x 4, 2.54mm pitch )</li> </ul>
	<ul style="list-style-type: none"> <li>IN0, CS0, RCT0, RS0, RT0, CVR0, IN1, CS1, RS1, RT1, CVR1: Pads for RC oscillation type ADC parts</li> </ul>
	<ul style="list-style-type: none"> <li>SP1 to SP15: Pads for opening or short ( 1608 type )</li> </ul>
	<ul style="list-style-type: none"> <li>X2, C0, C1: Pads for mounting high-speed clock oscillation circuit parts( Don't use)</li> </ul>
Power supply pads	<ul style="list-style-type: none"> <li>DVDD, GND, AVDD, VREF, AGND</li> </ul>
AIN0, AIN1 pads	<ul style="list-style-type: none"> <li>AIN0, AIN1</li> </ul>
Monitor pads	<ul style="list-style-type: none"> <li>RCM: RC oscillation monitor</li> </ul>
Operating voltage	<ul style="list-style-type: none"> <li>+1.1V to +3.6V</li> </ul>
Board size	<ul style="list-style-type: none"> <li>71.12 x 60.96 mm</li> </ul>

The high-speed clock oscillation circuit of this board don't use.  
Please don't mount with parts to X2, C0 and C1.

This board is made on the assumption that it is used mounting in the user application board.  
There is a possibility of short the circuit when using it on electroconductive so that the board may have the pattern on the solder side.  
Therefore, please use the board on nonconductivity or put the protection parts on the solder side if necessary.

1.2 PCB outline drawing

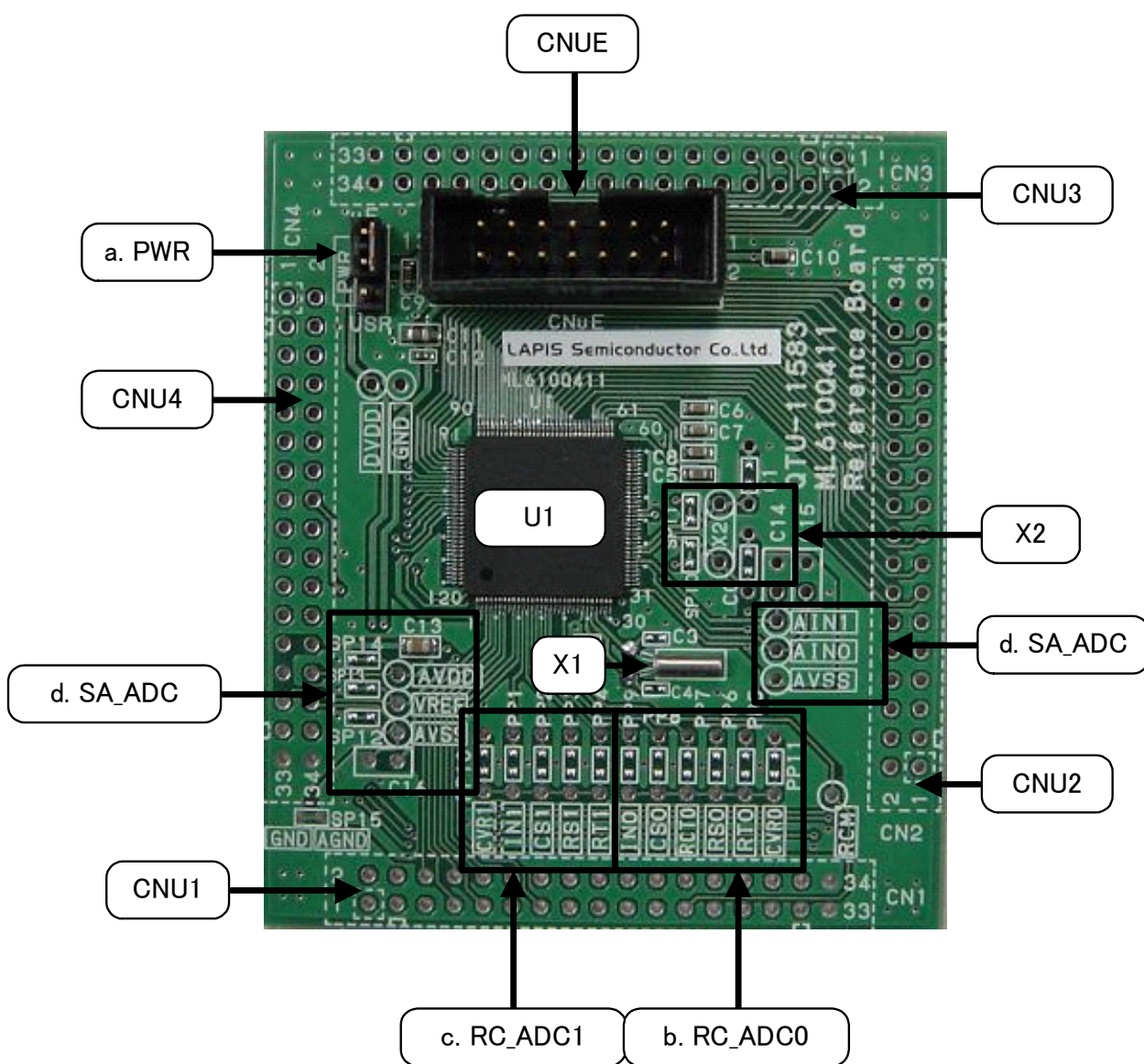


Fig.1 PCB outline drawing

## 2. Function

### 2.1 PWR Jumper ( a. PWR )

This is a jumper which input power supply.

When supplying from uEASE, PWR jumper is set to the uE side.

The ability to supply power of the uEASE is +3.3V/100mA.

When supplying from CNU4\_1pin and CNU4\_2pin, PWR jumper is set to the USR side.

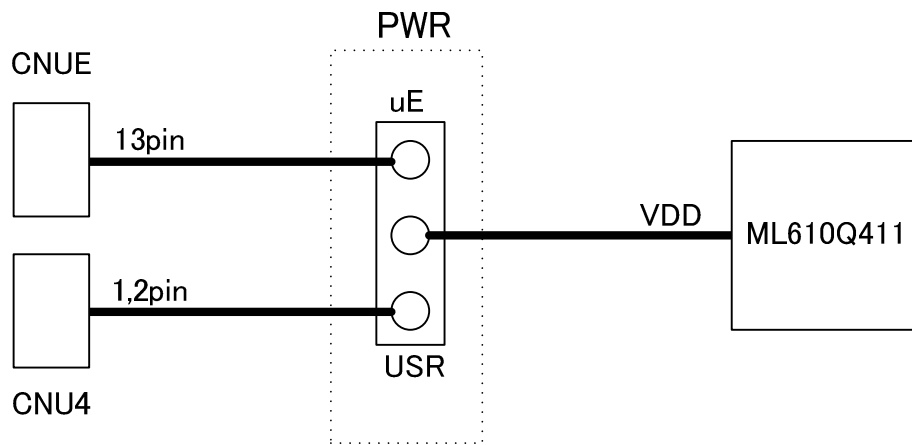


Fig.2 The connection of PWR jumper

#### **【Note】**

Notes when the PWR jumper is set to USR side and the uEASE is connected.

Turn on the power supply of the peripheral board after starting the uEASE.

Moreover, Stop the uEASE after turning off the power supply of the peripheral board.

## 2. 2 When you use RC\_ADC0 (b. RC\_AADC0)

Please cut each short pattern of SP5, SP6, SP7, SP8 and SP9 that is on the back side of this board. If each short pattern is not cut, the RC-ADC0 converter may not have accurate conversion result under the influence of the noise. Please be sure the cut each short pattern.

Please mount parts on the each pad of the IN0, CS0, RCT0, RS0, RT0 and CVR0 pads. Refer to ML610Q411/Q412/Q415 User's Manual for the parts to mount.

The example of processing is shown below.

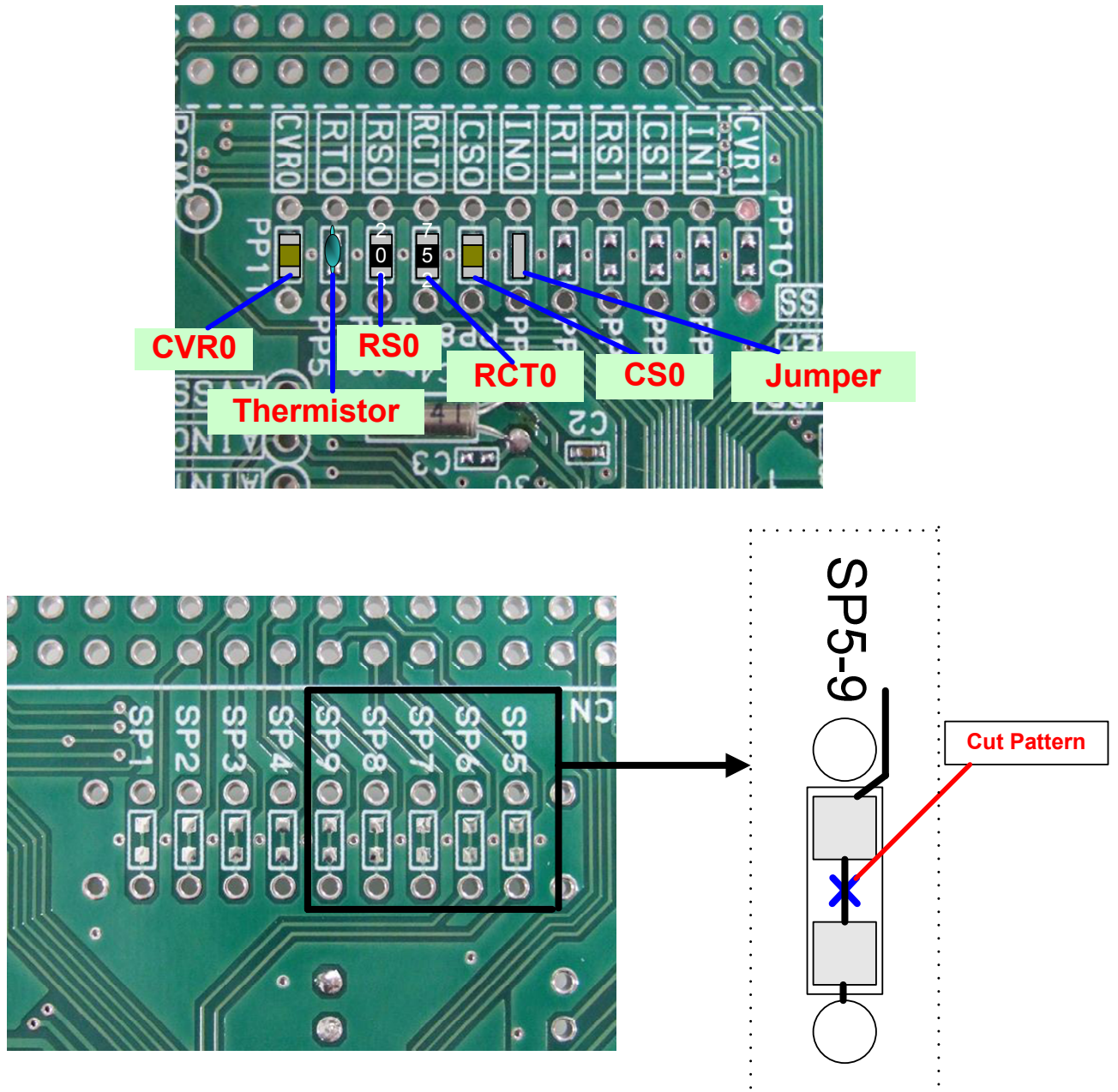


Fig.3 The example of processing of RC\_ADC0

### 2. 3 When you use RC\_ADC1 ( c. RC\_ADC1 )

Please cut each short pattern of SP1, SP2, SP3 and SP4 that is on the back side of this board.  
If each short pattern is not cut, the RC-ADC1 converter may not have accurate conversion result under the influence of the noise. Please be sure the cut each short pattern.

Please mount parts on the each pad of the IN1, CS1, RS1, RT1 and CVR1 pads.  
Refer to ML610Q411/Q412/Q415 User's Manual for the parts to mount.

The example of processing is shown below.

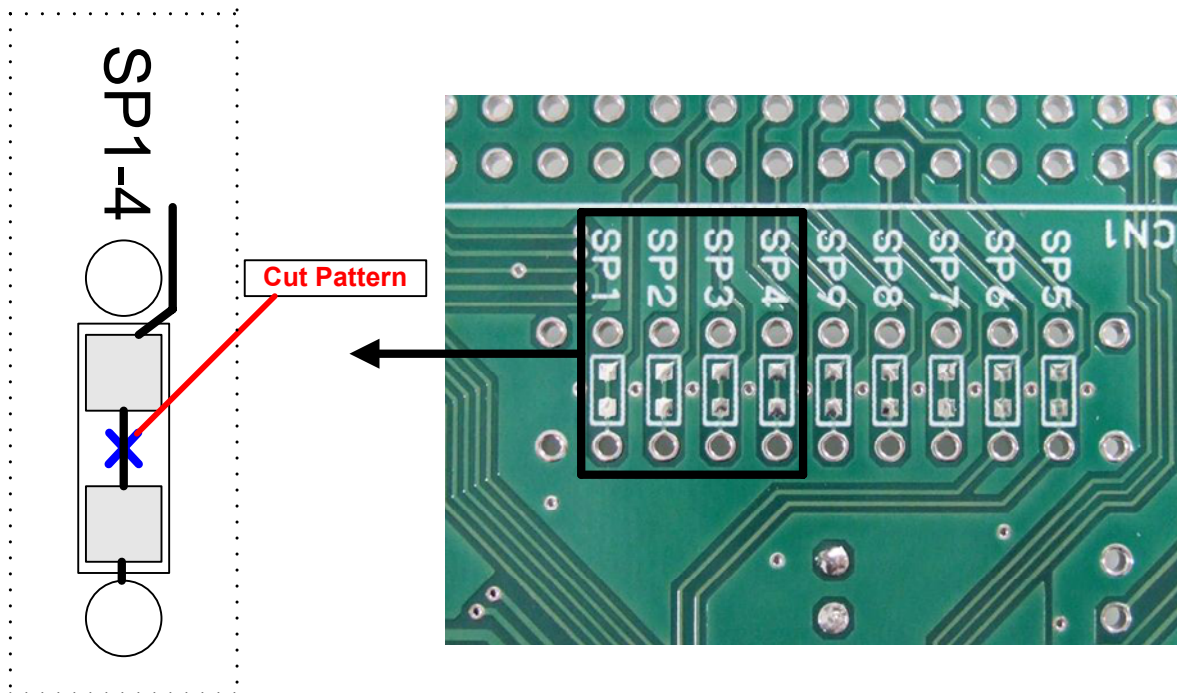
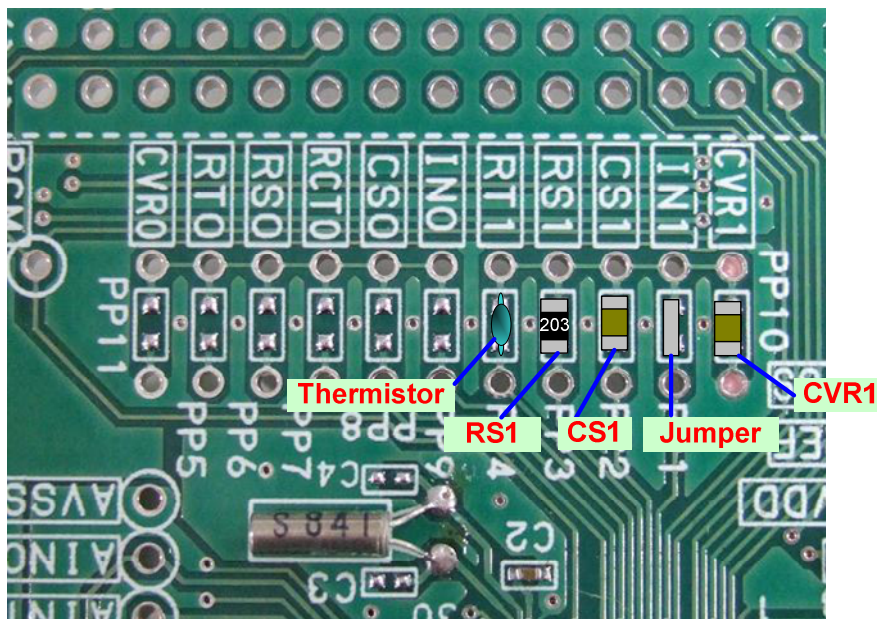


Fig.4 The example of processing of RC\_ADC1



## 2. 4 When you use SA\_ADC ( d. SA\_ADC )

The AVDD pin and VREF pin of this board are connected to AGND.  
Please cut each short pattern of SP14 and SP13, and it separates from AGND.

The suitable voltage for AVDD input pad, VREF input pad, AGND input pad, AIN0 input pad and AIN1 input pad is supplied.  
Please mount noise decrease capacitor for AIN0 capacitor pad, AIN1 capacitor pad and VREF capacitor pad if you need.

**[NOTE]**

When you supply voltage to AVDD and VREF, please be sure to cut the short pattern of SP14 and SP13.

The example of processing of SA\_ADC is shown below.

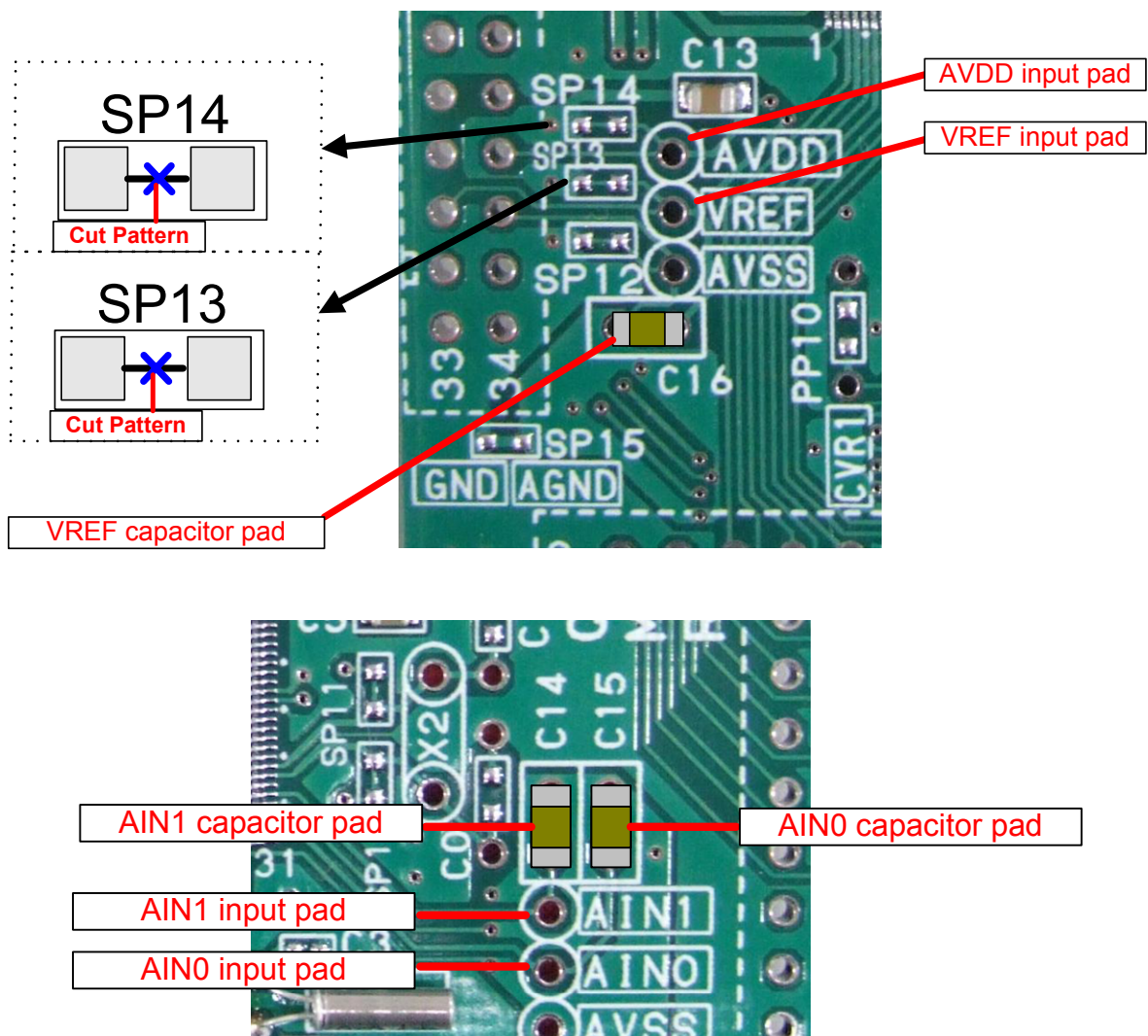


Fig.5 The example of processing of SA\_ADC

## 2. 5 RESET\_N control

If you use the uEASE, open RESET\_N signal pin (CNU3\_32pin).  
When uEASE is connected, since reset is controlled from uEASE.  
Please do not input reset signal from RESET\_N signal pin (CNU3\_32pin).

---

### 3. User Interface

#### 3.1 The user interface of ML610Q411ReferenceBoard

Table1 shows the user interface of reference board which mounted ML610Q411.

Table 1 CNU1-4 of ML610Q411ReferenceBoard

Pin	CNU1	CNU2	CNU3	CNU4
1	P03	PA0	SEG20	VDD
2	P02	PA1	SEG21	VDD
3	P01	PA2	SEG22	N.C
4	P00	PA3	SEG23	N.C
5	NMI	PA4	SEG24	N.C
6	P20	PA5	SEG25	N.C
7	P21	PA6	SEG26	N.C
8	P22	PA7	SEG27	N.C
9	P40	N.C	SEG28	N.C
10	P41	N.C	SEG29	N.C
11	N.C	N.C	SEG30	N.C
12	P42	N.C	SEG31	N.C
13	P43	SEG0	SEG32	N.C
14	P44	SEG1	SEG33	N.C
15	P45	SEG2	SEG34	N.C
16	P46	SEG3	SEG35	COM0
17	P47	SEG4	N.C	COM1
18	P30	SEG5	N.C	COM2
19	P31	SEG6	N.C	COM3
20	P32	SEG7	N.C	N.C
21	P33	SEG8	N.C	N.C
22	P34	SEG9	N.C	N.C
23	P35	SEG10	N.C	N.C
24	N.C	SEG11	N.C	N.C
25	N.C	SEG12	N.C	N.C
26	N.C	SEG13	N.C	N.C
27	N.C	SEG14	N.C	N.C
28	N.C	SEG15	N.C	AVDD
29	N.C	SEG16	N.C	VREF
30	N.C	SEG17	N.C	AVSS
31	P10	SEG18	N.C	AIN0
32	P11	SEG19	RESET_N	AIN1
33	VSS	VSS	VSS	VSS
34	VSS	VSS	VSS	VSS

### 3. 2 The user interface of ML610Q412ReferenceBoard

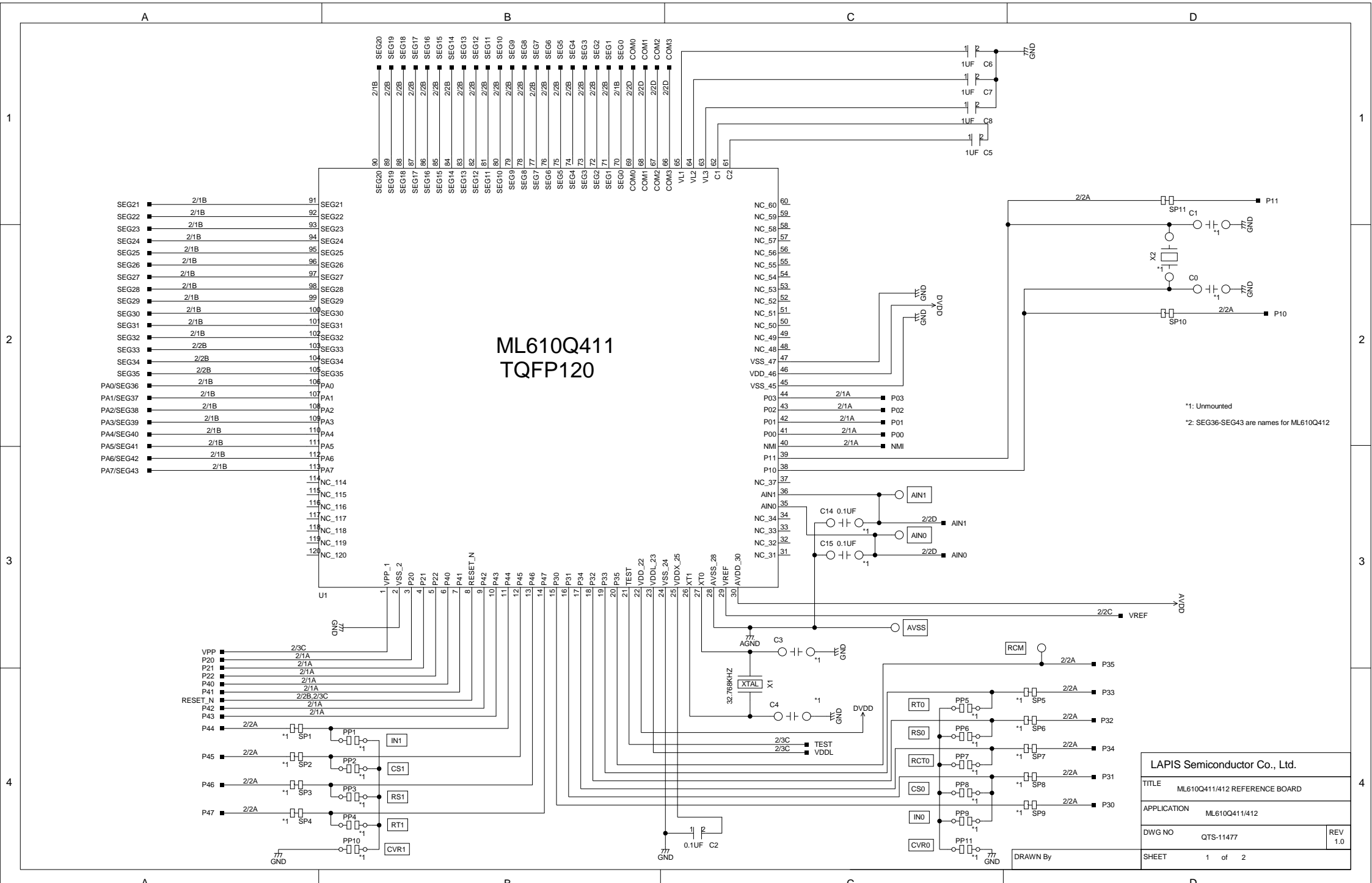
Table2 shows the user interface of reference board which mounted ML610Q412.

Table 2 CNU1-4 of ML610Q412ReferenceBoard

Pin	CNU1	CNU2	CNU3	CNU4
1	P03	SEG43	SEG20	VDD
2	P02	SEG42	SEG21	VDD
3	P01	SEG41	SEG22	N.C
4	P00	SEG40	SEG23	N.C
5	NMI	SEG39	SEG24	N.C
6	P20	SEG38	SEG25	N.C
7	P21	SEG37	SEG26	N.C
8	P22	SEG36	SEG27	N.C
9	P40	N.C	SEG28	N.C
10	P41	N.C	SEG29	N.C
11	N.C	N.C	SEG30	N.C
12	P42	N.C	SEG31	N.C
13	P43	SEG0	SEG32	N.C
14	P44	SEG1	SEG33	N.C
15	P45	SEG2	SEG34	N.C
16	P46	SEG3	SEG35	COM0
17	P47	SEG4	N.C	COM1
18	P30	SEG5	N.C	COM2
19	P31	SEG6	N.C	COM3
20	P32	SEG7	N.C	N.C
21	P33	SEG8	N.C	N.C
22	P34	SEG9	N.C	N.C
23	P35	SEG10	N.C	N.C
24	N.C	SEG11	N.C	N.C
25	N.C	SEG12	N.C	N.C
26	N.C	SEG13	N.C	N.C
27	N.C	SEG14	N.C	N.C
28	N.C	SEG15	N.C	AVDD
29	N.C	SEG16	N.C	VREF
30	N.C	SEG17	N.C	AVSS
31	P10	SEG18	N.C	AIN0
32	P11	SEG19	RESET_N	AIN1
33	VSS	VSS	VSS	VSS
34	VSS	VSS	VSS	VSS

## 4 . Schematics and PCB dimensional drawing

The this board schematics and the demensional drawing are shown as follows.



**ML610Q411  
TQFP120**

LAPIS Semiconductor Co., Ltd.		
TITLE	ML610Q411/412 REFERENCE BOARD	
APPLICATION	ML610Q411/412	
DWG NO	QTS-11477	REV 1.0
SHEET	1 of 2	

DRAWN By

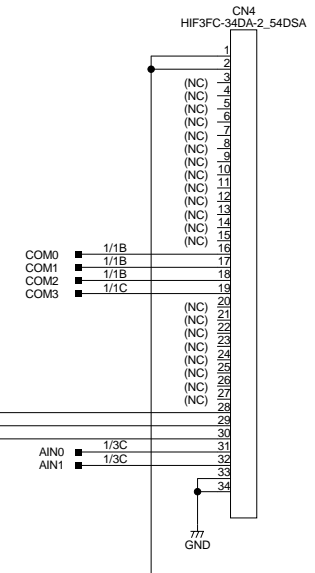
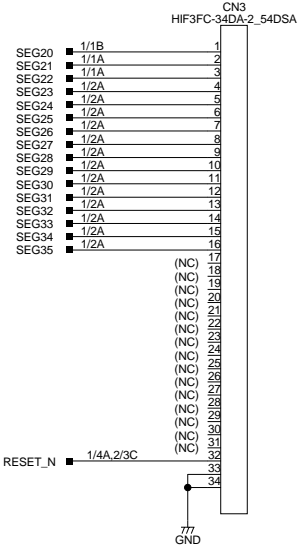
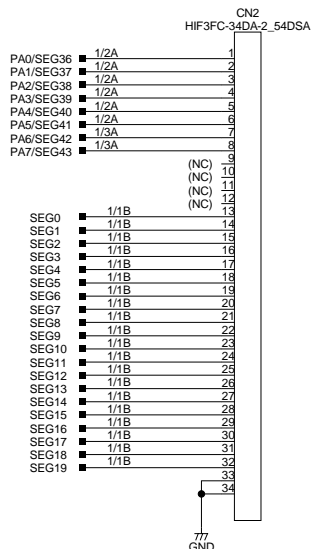
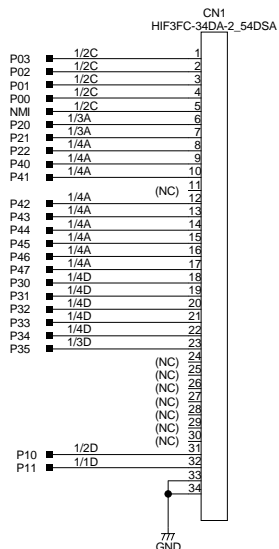
\*1: Unmounted  
\*2: SEG36-SEG43 are names for ML610Q412

A

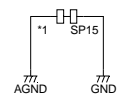
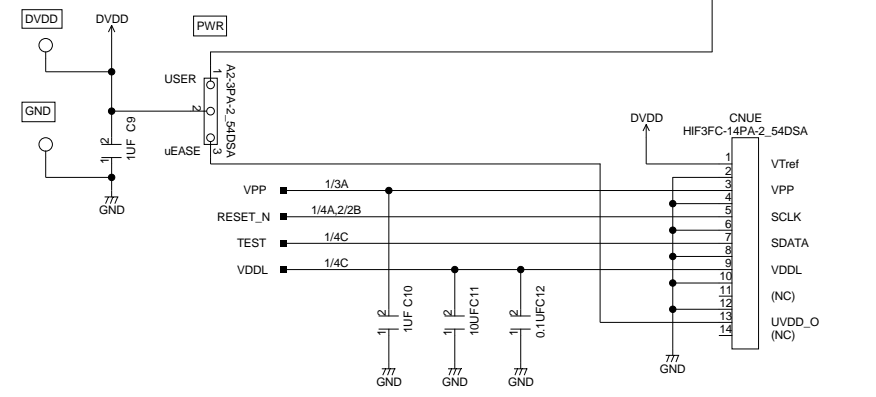
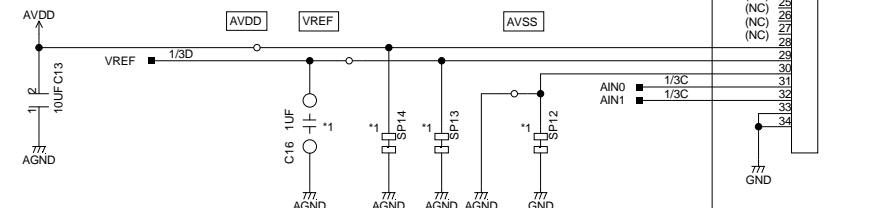
B

C

D



\*1: Unmounted  
 \*2: SEG36-SEG43 are names for ML610Q412



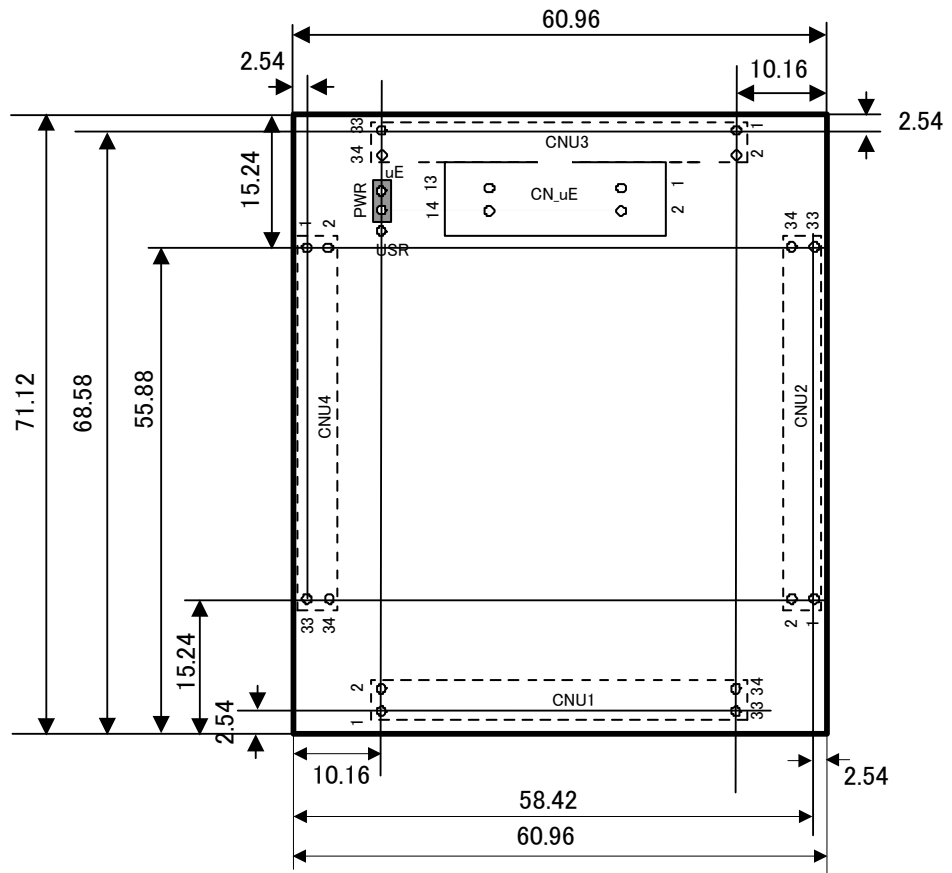
LAPIS Semiconductor Co., Ltd.	
TITLE ML610Q411/412 REFERENCE BOARD	
APPLICATION ML610Q411/412	
DWG NO QTS-11477	REV 1.0
DRAWN By	
SHEET 2 of 2	

A

B

C

D



**ML610Q4xx Reference Board TOP\_VIEW**



Компания «Океан Электроники» предлагает заключение долгосрочных отношений при поставках импортных электронных компонентов на взаимовыгодных условиях!

Наши преимущества:

- Поставка оригинальных импортных электронных компонентов напрямую с производств Америки, Европы и Азии, а так же с крупнейших складов мира;
- Широкая линейка поставок активных и пассивных импортных электронных компонентов (более 30 млн. наименований);
- Поставка сложных, дефицитных, либо снятых с производства позиций;
- Оперативные сроки поставки под заказ (от 5 рабочих дней);
- Экспресс доставка в любую точку России;
- Помощь Конструкторского Отдела и консультации квалифицированных инженеров;
- Техническая поддержка проекта, помощь в подборе аналогов, поставка прототипов;
- Поставка электронных компонентов под контролем ВП;
- Система менеджмента качества сертифицирована по Международному стандарту ISO 9001;
- При необходимости вся продукция военного и аэрокосмического назначения проходит испытания и сертификацию в лаборатории (по согласованию с заказчиком);
- Поставка специализированных компонентов военного и аэрокосмического уровня качества (Xilinx, Altera, Analog Devices, Intersil, Interpoint, Microsemi, Actel, Aeroflex, Peregrine, VPT, Syfer, Eurofarad, Texas Instruments, MS Kennedy, Miteq, Cobham, E2V, MA-COM, Hittite, Mini-Circuits, General Dynamics и др.);

Компания «Океан Электроники» является официальным дистрибьютором и эксклюзивным представителем в России одного из крупнейших производителей разъемов военного и аэрокосмического назначения «JONHON», а так же официальным дистрибьютором и эксклюзивным представителем в России производителя высокотехнологичных и надежных решений для передачи СВЧ сигналов «FORSTAR».



## JONHON

«JONHON» (основан в 1970 г.)

Разъемы специального, военного и аэрокосмического назначения:

(Применяются в военной, авиационной, аэрокосмической, морской, железнодорожной, горно- и нефтедобывающей отраслях промышленности)

«FORSTAR» (основан в 1998 г.)

ВЧ соединители, коаксиальные кабели,  
кабельные сборки и микроволновые компоненты:

(Применяются в телекоммуникациях гражданского и специального назначения, в средствах связи, РЛС, а так же военной, авиационной и аэрокосмической отраслях промышленности).



Телефон: 8 (812) 309-75-97 (многоканальный)

Факс: 8 (812) 320-03-32

Электронная почта: [ocean@oceanchips.ru](mailto:ocean@oceanchips.ru)

Web: <http://oceanchips.ru/>

Адрес: 198099, г. Санкт-Петербург, ул. Калинина, д. 2, корп. 4, лит. А