

1A Current-Limited Switch for 2 USB Ports

General Description

The MAX1922 current-limited 70mΩ switch with built-in fault blanking provides an accurate, preset 1.4A to 2.1A current limit, making it ideal for dual USB applications. Its low quiescent supply current (16μA) and standby current (1μA) conserve battery power in portable applications. The MAX1922 operates with inputs from 2.7V to 5.5V, making it ideal for both 3V and 5V systems.

An overcurrent signal (\overline{OC}) notifies the microprocessor that the internal current limit has been reached. A 10ms overcurrent-blanking feature allows momentary faults (such as those caused when hot-swapping into a capacitive load) to be ignored, thus preventing false alarms to the host system. This blanking also prevents an \overline{OC} signal from being issued when the device is powering up.

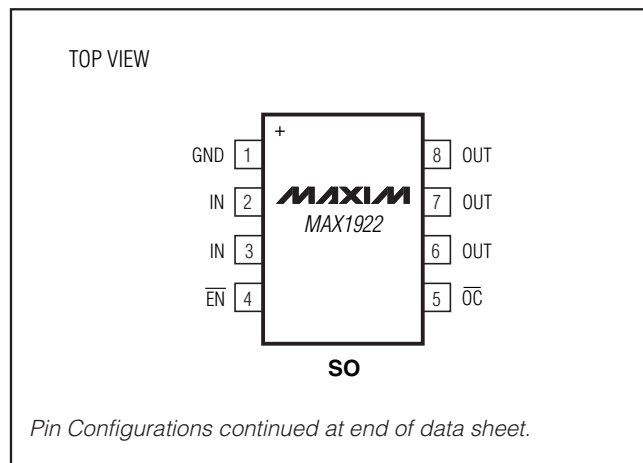
The MAX1922 has several safety features to ensure that the USB port is protected. Built-in thermal-overload protection limits power dissipation and junction temperature. The device also has accurate internal current-limiting circuitry to protect the input supply against overload.

The MAX1922 is offered in a space-saving 8-pin SO package and a 10-pin TDFN package and operates over the extended (-40°C to +85°C) temperature range.

Applications

Notebook Computers
USB Ports
USB Hubs
Docking Stations

Pin Configurations



Features

- ◆ Accurate Current Limit (1.4A min, 2.1A max)
- ◆ 10ms Internal \overline{OC} Blanking Timeout
- ◆ \overline{OC} Blanking During Power-Up
- ◆ 125mΩ (max) High-Side MOSFET
- ◆ Short-Circuit and Thermal Protection with Overcurrent Logic Output
- ◆ Undervoltage Lockout
- ◆ 16μA Quiescent Supply Current
- ◆ 1μA (max) Standby Supply Current
- ◆ 2.7V to 5.5V Supply Range
- ◆ UL Recognized: UL# E211395

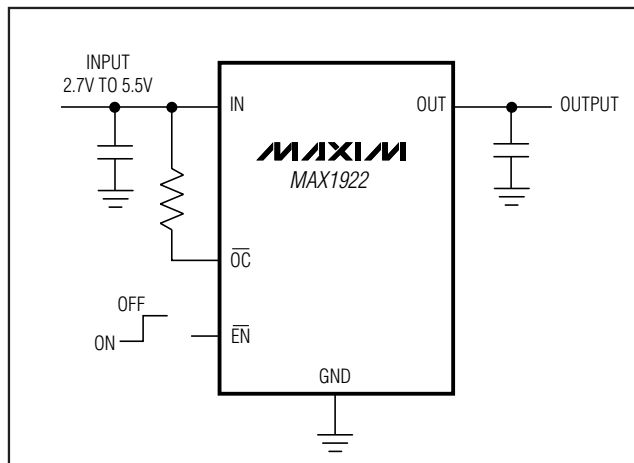
Ordering Information

| PART | TEMP RANGE | PIN-PACKAGE | TOP MARK |
|-------------|----------------|-------------|----------|
| MAX1922ESA+ | -40°C to +85°C | 8 SO | — |
| MAX1922ETB+ | -40°C to +85°C | 10 TDFN-EP* | AQQ |

*EP = Exposed paddle.

+Denotes a lead(Pb)-free/RoHS-compliant package.

Typical Operating Circuit



1A Current-Limited Switch for 2 USB Ports

ABSOLUTE MAXIMUM RATINGS

IN, $\overline{\text{EN}}$, $\overline{\text{OC}}$ to GND -0.3V to +6V
 OUT to GND -0.3V to ($V_{\text{IN}} + 0.3\text{V}$)
 Maximum Switch Current 2.3A (internally limited)
 OUT Short-Circuit to GND Continuous

Continuous Power Dissipation ($T_A = +70^\circ\text{C}$)
 8-Pin SO (derate 5.88mW/ $^\circ\text{C}$ above $+70^\circ\text{C}$) 471mW
 10-Pin TDFN (derate 18.5mW/ $^\circ\text{C}$ above $+70^\circ\text{C}$) 1481mW
 Operating Temperature Range (extended) -40°C to $+85^\circ\text{C}$
 Storage Temperature Range -65°C to $+150^\circ\text{C}$
 Lead Temperature (soldering, 10s) $+300^\circ\text{C}$

Stresses beyond those listed under "Absolute Maximum Ratings" may cause permanent damage to the device. These are stress ratings only, and functional operation of the device at these or any other conditions beyond those indicated in the operational sections of the specifications is not implied. Exposure to absolute maximum rating conditions for extended periods may affect device reliability.

ELECTRICAL CHARACTERISTICS

($V_{\text{IN}} = 5\text{V}$, $T_A = 0^\circ\text{C}$ to $+85^\circ\text{C}$, unless otherwise noted. Typical values are at $T_A = +25^\circ\text{C}$.)

| PARAMETER | SYMBOL | CONDITIONS | MIN | TYP | MAX | UNITS |
|---|---------------------|---|--|-------|-----|---------------|
| OPERATING CONDITION | | | | | | |
| Input Voltage | V_{IN} | | 2.7 | | 5.5 | V |
| POWER SWITCH | | | | | | |
| Switch Static Drain-Source On-State Resistance | $R_{\text{DS(ON)}}$ | $T_A = +25^\circ\text{C}$ | $V_{\text{IN}} = 4.4\text{V}$ to 5.5V | 70 | 100 | m Ω |
| | | $T_A = 0^\circ\text{C}$ to $+85^\circ\text{C}$ | $V_{\text{IN}} = 4.4\text{V}$ to 5.5V | | 125 | |
| | | | $V_{\text{IN}} = 3\text{V}$ | 72 | 150 | |
| Switch Turn-On Time | t_{ON} | $I_{\text{LOAD}} = 400\text{mA}$ | | 80 | 200 | μs |
| Switch Turn-Off Time | t_{OFF} | $I_{\text{LOAD}} = 400\text{mA}$ | 3 | 6 | 20 | μs |
| ENABLE INPUT ($\overline{\text{EN}}$) | | | | | | |
| $\overline{\text{EN}}$ High-Level Input Voltage | V_{IH} | $V_{\text{IN}} = 2.7\text{V}$ to 3.6V | 2.0 | | | V |
| | | $V_{\text{IN}} = 3.7\text{V}$ to 5.5V | 2.4 | | | |
| $\overline{\text{EN}}$ Low-Level Input Voltage | V_{IL} | $V_{\text{IN}} = 2.7\text{V}$ to 5.5V | | | 0.8 | V |
| $\overline{\text{EN}}$ Input Current | | $V_{\overline{\text{EN}}} = V_{\text{IN}}$ or GND | -1 | | 1 | μA |
| Startup Time | | $V_{\text{IN}} = 5\text{V}$, $C_{\text{OUT}} = 150\mu\text{F}$ from $\overline{\text{EN}}$ driven low to 50% full V_{OUT} | | 1 | | ms |
| CURRENT LIMIT | | | | | | |
| Overload Output Current | I_{LIMIT} | Force V_{OUT} to 4.5V | 1.4 | 1.75 | 2.1 | A |
| Short-Circuit Output Current | I_{SC} | OUT shorted to GND | | 1 | 1.4 | A |
| SUPPLY CURRENT | | | | | | |
| Supply Current, Low-Level Input | | $V_{\overline{\text{EN}}} = V_{\text{IN}} = V_{\text{OUT}} = 5.5\text{V}$ | | 0.002 | 1 | μA |
| Supply Current, High-Level Input | I_{Q} | $V_{\overline{\text{EN}}} = 0$, $I_{\text{OUT}} = 0$ | Timer not running | 16 | 25 | μA |
| | | | Timer running | 35 | | |
| Supply-Leakage Current | | $V_{\overline{\text{EN}}} = V_{\text{IN}} = 5.5\text{V}$, $V_{\text{OUT}} = 0$ | $T_A = +25^\circ\text{C}$ | 0.01 | 2 | μA |
| | | | $T_A = 0^\circ\text{C}$ to $+85^\circ\text{C}$ | | | |
| UNDERVOLTAGE LOCKOUT | | | | | | |
| Undervoltage Lockout | UVLO | Rising edge, 100mV hysteresis | 2.0 | 2.4 | 2.6 | V |
| OVERCURRENT ($\overline{\text{OC}}$) | | | | | | |
| $\overline{\text{OC}}$ Threshold | | | 1.1 | | | A |
| $\overline{\text{OC}}$ Output Low Voltage | V_{OL} | $I_{\text{SINK}} = 1\text{mA}$, $V_{\text{IN}} = 3\text{V}$ | | | 0.4 | V |

1A Current-Limited Switch for 2 USB Ports

MAX1922

ELECTRICAL CHARACTERISTICS (continued)

($V_{IN} = 5V$, $T_A = 0^{\circ}C$ to $+85^{\circ}C$, unless otherwise noted. Typical values are at $T_A = +25^{\circ}C$.)

| PARAMETER | SYMBOL | CONDITIONS | MIN | TYP | MAX | UNITS |
|---|----------|---|-----|-----|-----|-------------|
| \overline{OC} Off-State Current | | $V_{IN} = V_{\overline{OC}} = 5V$ | | | 1 | μA |
| \overline{OC} Blanking Timeout Period | t_{BL} | From overcurrent condition to \overline{OC} assertion | 6 | 10 | 13 | ms |
| THERMAL SHUTDOWN | | | | | | |
| Thermal Shutdown Threshold | | | | 165 | | $^{\circ}C$ |

ELECTRICAL CHARACTERISTICS

($V_{IN} = 5V$, $T_A = -40^{\circ}C$ to $+85^{\circ}C$, unless otherwise noted.) (Note 1)

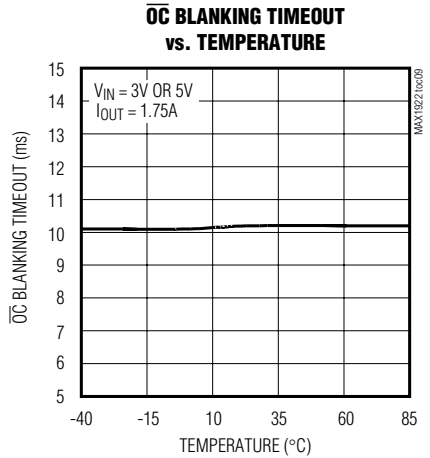
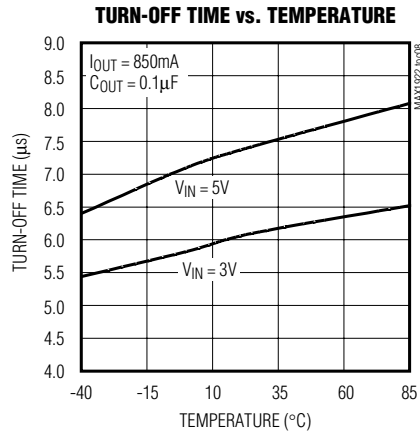
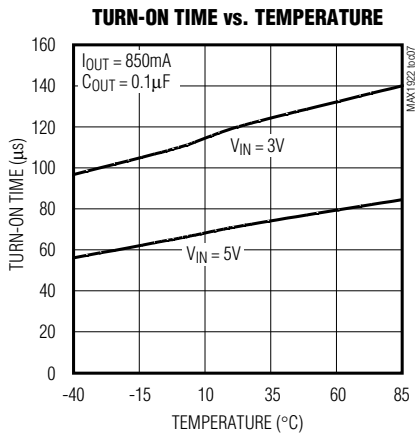
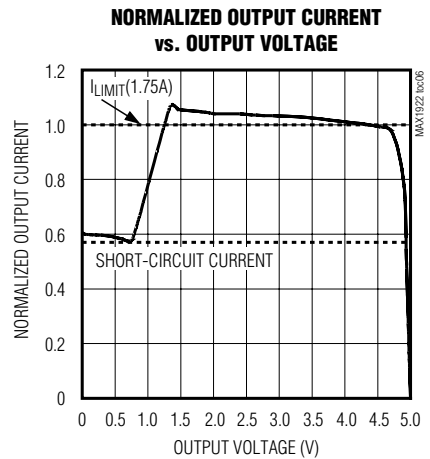
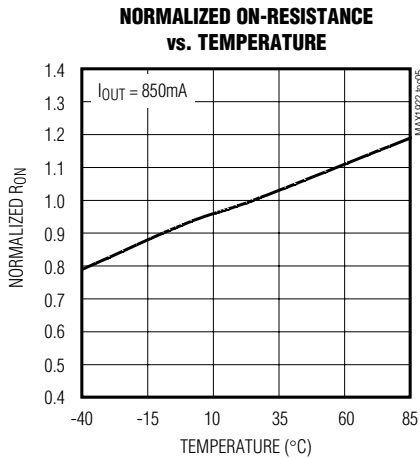
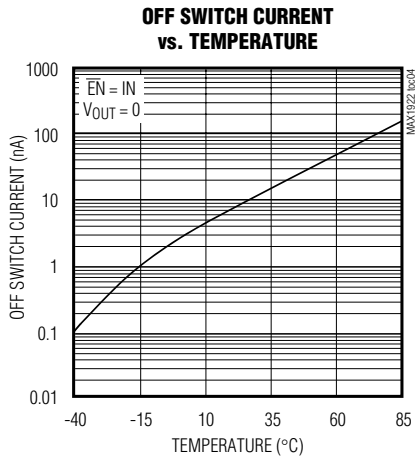
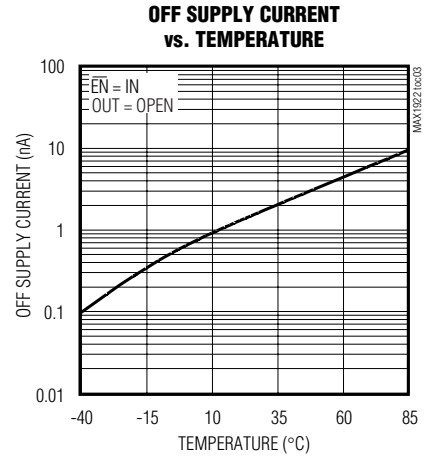
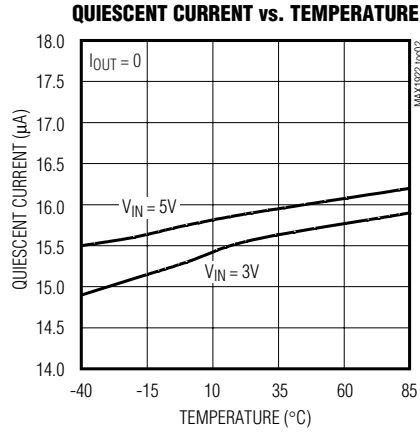
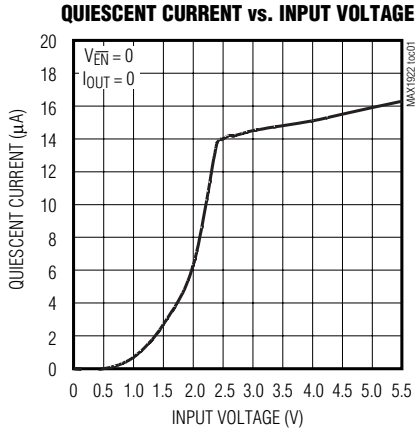
| PARAMETER | SYMBOL | CONDITIONS | MIN | TYP | MAX | UNITS |
|--|--------------|---|-----|-----|-----|-----------|
| OPERATING CONDITION | | | | | | |
| Input Voltage | V_{IN} | | 3.0 | | 5.5 | V |
| POWER SWITCH | | | | | | |
| Switch Static Drain-Source On-State Resistance | $R_{DS(ON)}$ | $V_{IN} = 4.4V$ to $5.5V$ | | | 125 | $m\Omega$ |
| | | $V_{IN} = 3V$ | | | 150 | |
| Switch Turn-On Time | t_{ON} | $I_{LOAD} = 400mA$ | | | 200 | μs |
| Switch Turn-Off Time | t_{OFF} | $I_{LOAD} = 400mA$ | 1 | | 20 | μs |
| ENABLE INPUT (\overline{EN}) | | | | | | |
| \overline{EN} High-Level Input Voltage | V_{IH} | $V_{IN} = 3.0V$ to $3.6V$ | 2.0 | | | V |
| | | $V_{IN} = 3.7V$ to $5.5V$ | 2.4 | | | |
| \overline{EN} Low-Level Input Voltage | V_{IL} | $V_{IN} = 3.0V$ to $5.5V$ | | | 0.8 | V |
| \overline{EN} Input Current | | $V_{\overline{EN}} = V_{IN}$ or GND | -1 | | 1 | μA |
| CURRENT LIMIT | | | | | | |
| Overload Output Current | I_{LIMIT} | Force V_{OUT} to $4.5V$ | 1.2 | | 2.3 | A |
| Short-Circuit Output Current | I_{SC} | OUT shorted to GND | | | 1.5 | A |
| SUPPLY CURRENT | | | | | | |
| Supply Current, Low-Level Input | | $V_{\overline{EN}} = V_{IN} = V_{OUT} = 5.5V$ | | | 2 | μA |
| Supply Current, High-Level Input | I_Q | $V_{\overline{EN}} = GND$, $I_{OUT} = 0$, timer not running | | | 25 | μA |
| Supply Leakage Current | | $V_{\overline{EN}} = V_{IN} = 5.5V$, $V_{OUT} = GND$ | | | 15 | μA |
| UNDERVOLTAGE LOCKOUT | | | | | | |
| Undervoltage Lockout | UVLO | Rising edge, 100mV hysteresis | 2.0 | | 2.9 | V |
| OVERCURRENT (\overline{OC}) | | | | | | |
| \overline{OC} Threshold | | | 1.1 | | | A |
| \overline{OC} Output Low Voltage | V_{OL} | $I_{SINK} = 1mA$, $V_{IN} = 3V$ | | | 0.4 | V |
| \overline{OC} Off-State Current | | $V_{IN} = V_{\overline{OC}} = 5V$ | | | 1 | μA |
| \overline{OC} Blanking Timeout Period | t_{BL} | From overcurrent condition to \overline{OC} assertion | 6 | | 14 | ms |

Note 1: Specifications to $-40^{\circ}C$ are guaranteed by design, not production tested.

1A Current-Limited Switch for 2 USB Ports

Typical Operating Characteristics

(Circuit of Figure 2, $V_{IN} = 5V$, $T_A = +25^\circ C$, unless otherwise noted.)

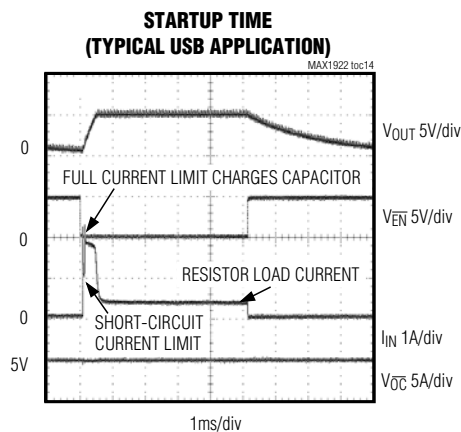
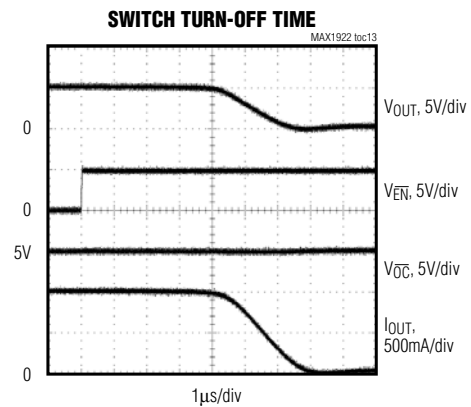
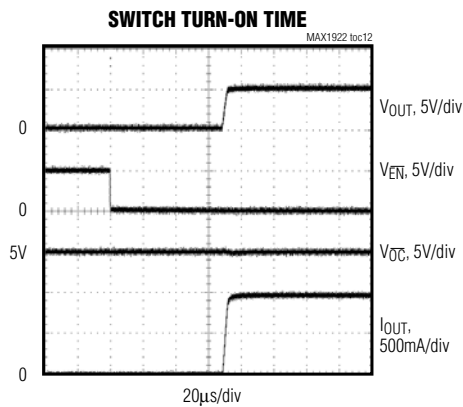
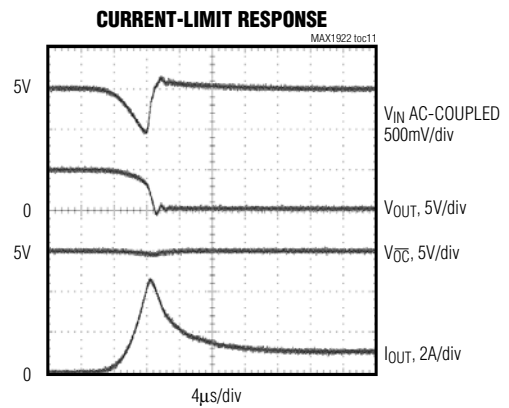
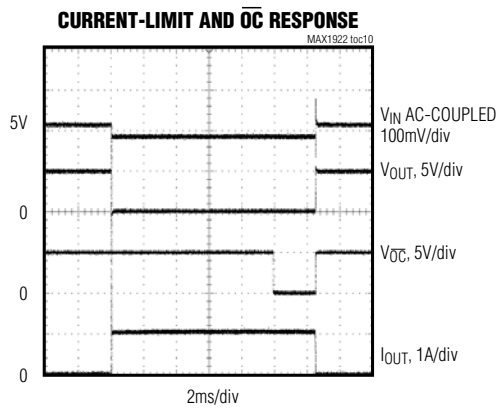


1A Current-Limited Switch for 2 USB Ports

MAX1922

Typical Operating Characteristics (continued)

(Circuit of Figure 2, $V_{IN} = 5V$, $T_A = +25^\circ C$, unless otherwise noted.)



1A Current-Limited Switch for 2 USB Ports

Pin Description

| PACKAGE | | NAME | FUNCTION |
|-------------|---------|------------------------|---|
| TDFN | SO | | |
| 6 | 1 | GND | Ground |
| 1, 3, 9 | 2, 3 | IN | Input. p-channel MOSFET source—connect all IN pins together and bypass with a 1 μ F capacitor ground. |
| 5 | 4 | $\overline{\text{EN}}$ | Active-Low Switch Enable Input. A logic-low turns on the switch. |
| 7 | 5 | $\overline{\text{OC}}$ | Overcurrent-Indicator Output. This open-drain output goes low when the device is in thermal shutdown or undervoltage lockout, or during a sustained (10ms) current-limit condition. |
| 2, 4, 8, 10 | 6, 7, 8 | OUT | Switch Output. p-channel MOSFET drain—connect all OUT pins together and bypass with a 0.1 μ F capacitor to ground. |
| — | — | EP | TDFN Only. Exposed paddle. Connect to the GND plane for optimum thermal dissipation. This does not remove the requirement for a proper ground. |

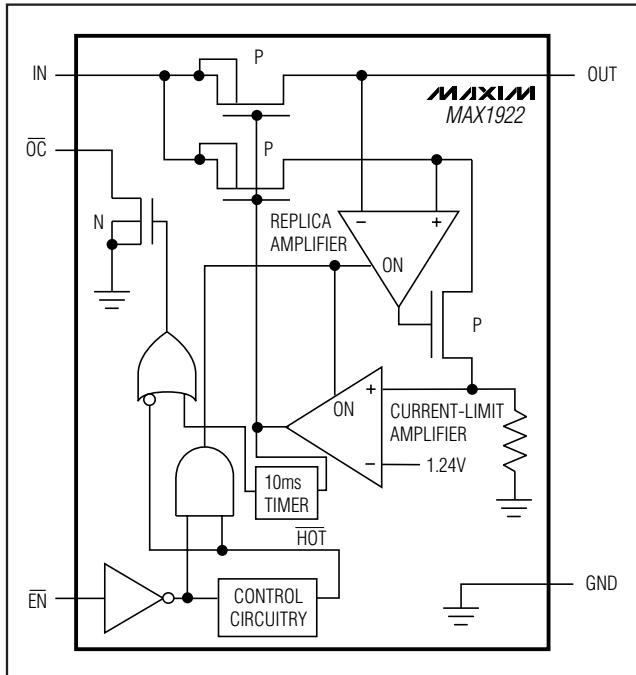


Figure 1. Functional Diagram

Detailed Description

The MAX1922 p-channel MOSFET power switch limits output current to 1.4A min and 2.1A max. When the output current increases beyond the current limit (I_{LIMIT}), the current also increases through the replica switch ($I_{OUT} / 13000$). The current-limit error amplifier compares the voltage to the internal 1.24V reference and regulates the current back to the I_{LIMIT} (Figure 1).

These switches are not bidirectional; therefore, the input voltage must be higher than the output voltage.

Continuous Short-Circuit Protection

The MAX1922 is a short-circuit-protected switch. In the event of an output short-circuit condition, the current through the switch is foldback-current-limited to 1A continuous.

Thermal Shutdown

The MAX1922 has a thermal shutdown feature. The switch turns off and the $\overline{\text{OC}}$ output goes low immediately (no overcurrent blanking) when the junction temperature exceeds +165°C. When the MAX1922 cools 20°C, the switch turns back on. If the fault short-circuit condition is not removed, the switch cycles on and off, resulting in a pulsed output.

$\overline{\text{OC}}$ Indicator

The MAX1922 provides an overcurrent output ($\overline{\text{OC}}$). A 100k Ω pullup resistor from $\overline{\text{OC}}$ to IN provides a logic control signal. This open-drain output goes low when any of the following conditions occur:

- The input voltage is below the 2.4V undervoltage lockout (UVLO) threshold.
- The die temperature exceeds the thermal shutdown temperature limit of +165°C.
- The device is in current limit for greater than 10ms.

$\overline{\text{OC}}$ Blanking

The MAX1922 features 10ms overcurrent blanking. Blanking allows brief current-limit faults, including momentary short-circuit faults that occur when hot-swapping a capacitive load, and ensures that no $\overline{\text{OC}}$ is issued during power-up. When a load transient causes the device to enter current limit, an internal counter starts. If the load fault persists beyond the 10ms overcurrent blanking timeout, the $\overline{\text{OC}}$ output asserts low. Ensure that the MAX1922 input is adequately bypassed to prevent input glitches from triggering spurious $\overline{\text{OC}}$.

1A Current-Limited Switch for 2 USB Ports

outputs. Input voltage glitches less than 150mV do not cause a spurious \overline{OC} output. Load-transient faults less than 10ms (typ) will not cause an \overline{OC} output assertion.

Only current-limit faults are blanked. Die overtemperature faults and input voltage droops below the UVLO threshold will cause an immediate \overline{OC} output.

Applications Information

Input Capacitor

To limit the input voltage drop during momentary output short-circuit conditions, connect a capacitor from IN to GND. A 1 μ F ceramic capacitor is adequate for most applications; however, higher capacitor values further reduce the voltage drop at the input (Figure 2).

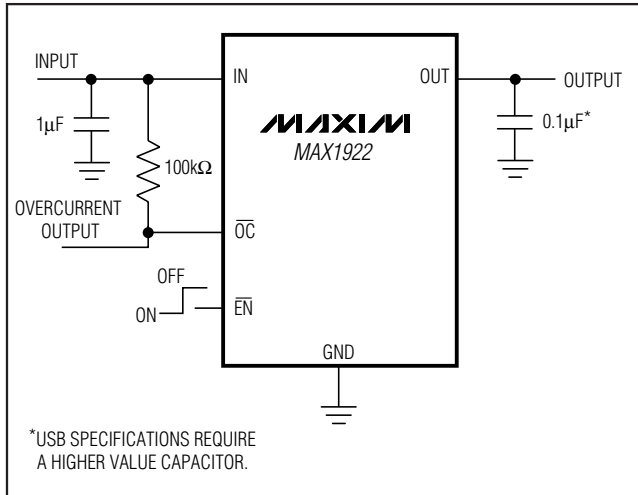


Figure 2. Typical Application Circuit

Output Capacitor

Connect a 0.1 μ F capacitor from OUT to GND. This capacitor helps to prevent inductive parasitics from pulling OUT negative during turn-off.

Layout and Thermal Dissipation

Important: Optimize the switch response time to output short-circuit conditions by keeping all traces as short as possible to reduce the effect of undesirable parasitic inductance. Place input and output capacitors as close as possible to the device (no more than 5mm away). All IN and OUT pins must be connected with short traces to the power bus. Wide power-bus planes provide superior heat dissipation through the MAX1922's IN and OUT pins. Under normal operating conditions, the package can dissipate and channel heat away. Calculate the maximum power dissipation as follows:

$$P = (I_{LIMIT})^2 \times R_{ON}$$

where I_{LIMIT} is the preset current limit (2.1A max) and R_{ON} is the on-resistance of the switch (125m Ω max).

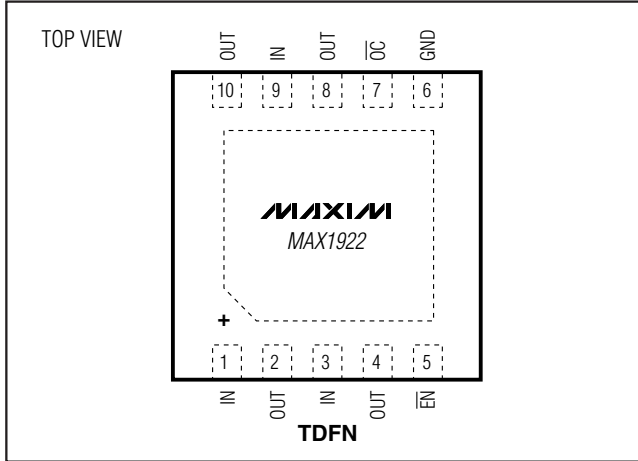
When the output is short circuited, foldback-current limiting activates and the voltage drop across the switch equals the input supply voltage. The power dissipated across the switch increases, as does the die temperature. If the fault condition is not removed, the thermal-overload protection circuitry activates (see *Thermal Shutdown* section). Wide power-bus planes connected to IN and OUT and a ground plane in contact with the device help dissipate additional heat.

Driving Inductive Loads

A wide variety of devices (mice, keyboards, cameras, and printers) can load the USB port. These devices commonly connect to the port with cables, which can add an inductive component to the load. This inductance causes the output voltage at the USB port to ring during a load step. The MAX1922 is capable of driving inductive loads, but avoid exceeding the device's absolute maximum ratings. Usually the load inductance is relatively small, and the MAX1922 input includes a substantial bulk capacitance from an upstream regulator as well as local bypass capacitors, limiting overshoot. If severe ringing occurs due to large load inductance, clamp the MAX1922 output below 6V and above -0.3V.

1A Current-Limited Switch for 2 USB Ports

Pin Configurations (continued)



Chip Information

PROCESS: BiCMOS

Package Information

For the latest package outline information and land patterns, go to www.maxim-ic.com/packages.

| PACKAGE TYPE | PACKAGE CODE | DOCUMENT NO. |
|--------------|--------------|-------------------------|
| 8 SO | S8-5 | 21-0041 |
| 10 TDFN-EP | T1033-1 | 21-0137 |

1A Current-Limited Switch for 2 USB Ports

Revision History

| REVISION NUMBER | REVISION DATE | DESCRIPTION | PAGES CHANGED |
|-----------------|---------------|--------------------|---------------|
| 3 | 4/09 | Fixed typo in UL # | 1 |

MAX1922

Maxim cannot assume responsibility for use of any circuitry other than circuitry entirely embodied in a Maxim product. No circuit patent licenses are implied. Maxim reserves the right to change the circuitry and specifications without notice at any time.

Maxim Integrated Products, 120 San Gabriel Drive, Sunnyvale, CA 94086 408-737-7600 _____ **9**

Компания «Океан Электроники» предлагает заключение долгосрочных отношений при поставках импортных электронных компонентов на взаимовыгодных условиях!

Наши преимущества:

- Поставка оригинальных импортных электронных компонентов напрямую с производств Америки, Европы и Азии, а так же с крупнейших складов мира;
- Широкая линейка поставок активных и пассивных импортных электронных компонентов (более 30 млн. наименований);
- Поставка сложных, дефицитных, либо снятых с производства позиций;
- Оперативные сроки поставки под заказ (от 5 рабочих дней);
- Экспресс доставка в любую точку России;
- Помощь Конструкторского Отдела и консультации квалифицированных инженеров;
- Техническая поддержка проекта, помощь в подборе аналогов, поставка прототипов;
- Поставка электронных компонентов под контролем ВП;
- Система менеджмента качества сертифицирована по Международному стандарту ISO 9001;
- При необходимости вся продукция военного и аэрокосмического назначения проходит испытания и сертификацию в лаборатории (по согласованию с заказчиком);
- Поставка специализированных компонентов военного и аэрокосмического уровня качества (Xilinx, Altera, Analog Devices, Intersil, Interpoint, Microsemi, Actel, Aeroflex, Peregrine, VPT, Syfer, Eurofarad, Texas Instruments, MS Kennedy, Miteq, Cobham, E2V, MA-COM, Hittite, Mini-Circuits, General Dynamics и др.);

Компания «Океан Электроники» является официальным дистрибьютором и эксклюзивным представителем в России одного из крупнейших производителей разъемов военного и аэрокосмического назначения «**JONHON**», а так же официальным дистрибьютором и эксклюзивным представителем в России производителя высокотехнологичных и надежных решений для передачи СВЧ сигналов «**FORSTAR**».



JONHON

«**JONHON**» (основан в 1970 г.)

Разъемы специального, военного и аэрокосмического назначения:

(Применяются в военной, авиационной, аэрокосмической, морской, железнодорожной, горно- и нефтедобывающей отраслях промышленности)

«**FORSTAR**» (основан в 1998 г.)

ВЧ соединители, коаксиальные кабели,
кабельные сборки и микроволновые компоненты:

(Применяются в телекоммуникациях гражданского и специального назначения, в средствах связи, РЛС, а так же военной, авиационной и аэрокосмической отраслях промышленности).



Телефон: 8 (812) 309-75-97 (многоканальный)

Факс: 8 (812) 320-03-32

Электронная почта: ocean@oceanchips.ru

Web: <http://oceanchips.ru/>

Адрес: 198099, г. Санкт-Петербург, ул. Калинина, д. 2, корп. 4, лит. А