



Rabbit® 4000 Microprocessor

User's Manual

019-0152 • 070720-H

Rabbit 4000 Microprocessor User's Manual

Part Number 019-0152 • 070720-H • Printed in U.S.A.

©2006–2007 Rabbit Semiconductor Inc. • All rights reserved.

No part of the contents of this manual may be reproduced or transmitted in any form or by any means without the express written permission of Rabbit Semiconductor.

Permission is granted to make one or more copies as long as the copyright page contained therein is included. These copies of the manuals may not be let or sold for any reason without the express written permission of Rabbit Semiconductor.

Rabbit Semiconductor reserves the right to make changes and improvements to its products without providing notice.

Trademarks

Rabbit and Dynamic C are registered trademarks of Rabbit Semiconductor Inc.

Rabbit 4000 is a trademark of Rabbit Semiconductor Inc.

The latest revision of this manual is available on the Rabbit Semiconductor Web site, www.rabbit.com, for free, unregistered download.

Rabbit Semiconductor Inc.

www.rabbit.com

TABLE OF CONTENTS

| | |
|---|-----------|
| Chapter 1. The Rabbit 4000 Processor | 1 |
| 1.1 Introduction..... | 1 |
| 1.2 Features..... | 1 |
| 1.3 Block Diagram..... | 4 |
| 1.4 Basic Specifications..... | 5 |
| 1.5 Comparing Rabbit Microprocessors..... | 6 |
| | |
| Chapter 2. Clocks | 9 |
| 2.1 Overview..... | 9 |
| 2.1.1 Block Diagram..... | 10 |
| 2.1.2 Registers..... | 10 |
| 2.2 Dependencies..... | 11 |
| 2.2.1 I/O Pins..... | 11 |
| 2.2.2 Other Registers..... | 11 |
| 2.3 Operation..... | 12 |
| 2.3.1 Main Clock..... | 12 |
| 2.3.2 Spectrum Spreader..... | 13 |
| 2.3.3 Clock Doubler..... | 15 |
| 2.3.4 32 kHz Clock..... | 18 |
| 2.4 Register Descriptions..... | 20 |
| | |
| Chapter 3. Reset and Bootstrap | 25 |
| 3.1 Overview..... | 25 |
| 3.1.1 Block Diagram..... | 25 |
| 3.1.2 Registers..... | 26 |
| 3.2 Dependencies..... | 26 |
| 3.2.1 I/O Pins..... | 26 |
| 3.2.2 Clocks..... | 26 |
| 3.2.3 Other Registers..... | 26 |
| 3.2.4 Interrupts..... | 26 |
| 3.3 Operation..... | 27 |
| 3.4 Register Descriptions..... | 29 |
| | |
| Chapter 4. System Management | 31 |
| 4.1 Overview..... | 31 |
| 4.1.1 Block Diagram..... | 32 |
| 4.1.2 Registers..... | 32 |
| 4.2 Dependencies..... | 33 |
| 4.2.1 I/O Pins..... | 33 |
| 4.2.2 Clocks..... | 33 |
| 4.2.3 Interrupts..... | 33 |
| 4.3 Operation..... | 34 |
| 4.3.1 Periodic Interrupt..... | 34 |
| 4.3.2 Real-Time Clock..... | 34 |
| 4.3.3 Watchdog Timer..... | 35 |
| 4.3.4 Secondary Watchdog Timer..... | 35 |
| 4.4 Register Descriptions..... | 36 |

| | |
|---|-----------|
| Chapter 5. Memory Management | 41 |
| 5.1 Overview | 41 |
| 5.1.1 Block Diagram | 43 |
| 5.1.2 Registers | 44 |
| 5.2 Dependencies | 45 |
| 5.2.1 I/O Pins | 45 |
| 5.2.2 Clocks | 45 |
| 5.2.3 Other Registers | 45 |
| 5.2.4 Interrupts | 45 |
| 5.3 Operation..... | 46 |
| 5.3.1 Memory Management Unit (MMU) | 46 |
| 5.3.2 8-bit Operation | 47 |
| 5.3.3 16-bit and Page Modes | 49 |
| 5.3.4 Separate Instruction and Data Space | 52 |
| 5.3.5 Memory Protection | 52 |
| 5.3.6 Stack Protection | 52 |
| 5.4 Register Descriptions | 53 |
| | |
| Chapter 6. Interrupts | 65 |
| 6.1 Overview | 65 |
| 6.2 Operation..... | 66 |
| 6.3 Interrupt Tables | 66 |
| | |
| Chapter 7. External Interrupts | 69 |
| 7.1 Overview | 69 |
| 7.2 Block Diagram | 69 |
| 7.2.1 Registers | 70 |
| 7.3 Dependencies | 70 |
| 7.3.1 I/O Pins | 70 |
| 7.3.2 Clocks | 70 |
| 7.3.3 Interrupts | 70 |
| 7.4 Operation..... | 70 |
| 7.4.1 Example ISR | 70 |
| 7.5 Register Descriptions | 71 |
| | |
| Chapter 8. Parallel Port A | 73 |
| 8.1 Overview | 73 |
| 8.1.1 Block Diagram | 73 |
| 8.1.2 Registers | 73 |
| 8.2 Dependencies | 74 |
| 8.2.1 I/O Pins | 74 |
| 8.2.2 Clocks | 74 |
| 8.2.3 Other Registers | 74 |
| 8.2.4 Interrupts | 74 |
| 8.3 Operation..... | 74 |
| 8.4 Register Descriptions | 75 |
| | |
| Chapter 9. Parallel Port B | 77 |
| 9.1 Overview | 77 |
| 9.1.1 Block Diagram | 78 |
| 9.1.2 Registers | 78 |
| 9.2 Dependencies | 78 |
| 9.2.1 I/O Pins | 78 |
| 9.2.2 Clocks | 78 |
| 9.2.3 Other Registers | 78 |
| 9.2.4 Interrupts | 79 |
| 9.3 Operation..... | 79 |
| 9.4 Register Descriptions | 79 |

| | |
|------------------------------------|------------|
| Chapter 10. Parallel Port C | 81 |
| 10.1 Overview | 81 |
| 10.1.1 Block Diagram | 82 |
| 10.1.2 Registers | 82 |
| 10.2 Dependencies | 83 |
| 10.2.1 I/O Pins | 83 |
| 10.2.2 Clocks | 83 |
| 10.2.3 Other Registers | 83 |
| 10.2.4 Interrupts | 83 |
| 10.3 Operation | 83 |
| 10.4 Register Descriptions | 84 |
| | |
| Chapter 11. Parallel Port D | 87 |
| 11.1 Overview | 87 |
| 11.1.1 Block Diagram | 89 |
| 11.1.2 Registers | 90 |
| 11.2 Dependencies | 90 |
| 11.2.1 I/O Pins | 90 |
| 11.2.2 Clocks | 90 |
| 11.2.3 Other Registers | 91 |
| 11.2.4 Interrupts | 91 |
| 11.3 Operation | 91 |
| 11.4 Register Descriptions | 92 |
| | |
| Chapter 12. Parallel Port E | 97 |
| 12.1 Overview | 97 |
| 12.1.1 Block Diagram | 99 |
| 12.1.2 Registers | 100 |
| 12.2 Dependencies | 100 |
| 12.2.1 I/O Pins | 100 |
| 12.2.2 Clocks | 100 |
| 12.2.3 Other Registers | 101 |
| 12.2.4 Interrupts | 101 |
| 12.3 Operation | 101 |
| 12.4 Register Descriptions | 102 |
| | |
| Chapter 13. Timer A | 107 |
| 13.1 Overview | 107 |
| 13.1.1 Block Diagram | 109 |
| 13.1.2 Registers | 110 |
| 13.2 Dependencies | 110 |
| 13.2.1 I/O Pins | 110 |
| 13.2.2 Clocks | 110 |
| 13.2.3 Other Registers | 110 |
| 13.2.4 Interrupts | 111 |
| 13.3 Operation | 111 |
| 13.3.1 Handling Interrupts | 111 |
| 13.3.2 Example ISR | 111 |
| 13.4 Register Descriptions | 112 |
| | |
| Chapter 14. Timer B | 115 |
| 14.1 Overview | 115 |
| 14.1.1 Block Diagram | 115 |
| 14.1.2 Registers | 116 |
| 14.2 Dependencies | 116 |
| 14.2.1 I/O Pins | 116 |
| 14.2.2 Clocks | 116 |
| 14.2.3 Other Registers | 116 |
| 14.2.4 Interrupts | 116 |

| | |
|--|------------|
| 14.3 Operation..... | 117 |
| 14.3.1 Handling Interrupts | 117 |
| 14.3.2 Example ISR | 117 |
| 14.4 Register Descriptions | 118 |
| Chapter 15. Timer C | 121 |
| 15.1 Overview | 121 |
| 15.1.1 Block Diagram | 122 |
| 15.1.2 Registers | 123 |
| 15.2 Dependencies | 124 |
| 15.2.1 I/O Pins | 124 |
| 15.2.2 Clocks | 124 |
| 15.2.3 Other Registers | 124 |
| 15.2.4 Interrupts | 124 |
| 15.3 Operation..... | 125 |
| 15.3.1 Handling Interrupts | 125 |
| 15.3.2 Example ISR | 125 |
| 15.4 Register Descriptions | 126 |
| Chapter 16. Serial Ports A – D | 129 |
| 16.1 Overview | 129 |
| 16.1.1 Block Diagram | 131 |
| 16.1.2 Registers | 132 |
| 16.2 Dependencies | 133 |
| 16.2.1 I/O Pins | 133 |
| 16.2.2 Clocks | 134 |
| 16.2.3 Other Registers | 134 |
| 16.2.4 Interrupts | 134 |
| 16.3 Operation..... | 135 |
| 16.3.1 Asynchronous Mode | 135 |
| 16.3.2 Clocked Serial Mode | 136 |
| 16.4 Register Descriptions | 138 |
| Chapter 17. Serial Ports E – F | 145 |
| 17.1 Overview | 145 |
| 17.1.1 Block Diagram | 146 |
| 17.1.2 Registers | 147 |
| 17.2 Dependencies | 148 |
| 17.2.1 I/O Pins | 148 |
| 17.2.2 Clocks | 148 |
| 17.2.3 Other Registers | 148 |
| 17.2.4 Interrupts | 149 |
| 17.3 Operation..... | 150 |
| 17.3.1 Asynchronous Mode | 150 |
| 17.3.2 HDLC Mode | 150 |
| 17.3.3 More on Clock Synchronization and Data Encoding | 151 |
| 17.4 Register Descriptions | 155 |
| Chapter 18. Slave Port | 161 |
| 18.1 Overview | 161 |
| 18.1.1 Block Diagram | 162 |
| 18.1.2 Registers | 162 |
| 18.2 Dependencies | 163 |
| 18.2.1 I/O Pins | 163 |
| 18.2.2 Clocks | 163 |
| 18.2.3 Interrupts | 163 |

| | | |
|--------------------------------------|--|------------|
| 18.3 | Operation | 164 |
| 18.3.1 | Master Setup | 165 |
| 18.3.2 | Slave Setup | 165 |
| 18.3.3 | Master/Slave Communication | 166 |
| 18.3.4 | Slave/Master Communication | 166 |
| 18.3.5 | Handling Interrupts | 166 |
| 18.3.6 | Example ISR | 166 |
| 18.3.7 | Other Configurations | 167 |
| 18.3.8 | Timing Diagrams | 168 |
| 18.4 | Register Descriptions | 170 |
| Chapter 19. DMA Channels | | 173 |
| 19.1 | Overview | 173 |
| 19.1.1 | Block Diagram | 175 |
| 19.1.2 | Registers | 176 |
| 19.2 | Dependencies | 177 |
| 19.2.1 | I/O Pins | 177 |
| 19.2.2 | Clocks | 177 |
| 19.2.3 | Interrupts | 177 |
| 19.3 | Operation | 178 |
| 19.3.1 | Handling Interrupts | 179 |
| 19.3.2 | Example ISR | 179 |
| 19.3.3 | DMA Priority with the Processor | 179 |
| 19.3.4 | DMA Channel Priority | 181 |
| 19.3.5 | Buffer Descriptor Modes | 181 |
| 19.3.5.1 | Single Buffer | 182 |
| 19.3.5.2 | Buffer Array | 182 |
| 19.3.5.3 | Linked List | 183 |
| 19.3.5.4 | Circular Queue | 184 |
| 19.3.5.5 | Linked Array | 184 |
| 19.3.6 | DMA with Peripherals | 185 |
| 19.3.6.1 | DMA with HDLC Serial Ports | 185 |
| 19.3.6.2 | DMA with Ethernet | 185 |
| 19.3.6.3 | DMA with PWM and Timer C | 185 |
| 19.3.7 | DMA Bug Workarounds (Appendix B.2) | 185 |
| 19.3.7.1 | DMA/HDLC/Ethernet Interaction | 185 |
| 19.3.8 | DMA/Block Copy Interaction | 186 |
| 19.3.9 | Single-Byte DMA Requests to internal I/O Registers | 186 |
| 19.4 | Register Descriptions | 187 |
| Chapter 20. 10Base-T Ethernet | | 201 |
| 20.1 | Overview | 201 |
| 20.1.1 | Block Diagram | 203 |
| 20.1.2 | Registers | 204 |
| 20.2 | Dependencies | 205 |
| 20.2.1 | I/O Pins | 205 |
| 20.2.2 | Clocks | 205 |
| 20.2.3 | Other Registers | 205 |
| 20.2.4 | Interrupts | 205 |
| 20.3 | Operation | 206 |
| 20.3.1 | Setup | 206 |
| 20.3.2 | Transmit | 206 |
| 20.3.3 | Receive | 206 |
| 20.3.4 | Handling Interrupts | 207 |
| 20.3.5 | Multicast Addressing | 208 |
| 20.4 | Ethernet Interface Circuit | 209 |
| 20.5 | Register Descriptions | 210 |

| | |
|--|------------|
| Chapter 21. Input Capture | 219 |
| 21.1 Overview | 219 |
| 21.1.1 Input-Capture Mode | 219 |
| 21.1.2 Input-Count Mode | 220 |
| 21.1.3 Block Diagram | 220 |
| 21.1.4 Registers | 221 |
| 21.2 Dependencies | 222 |
| 21.2.1 I/O Pins | 222 |
| 21.2.2 Clocks | 222 |
| 21.2.3 Other Registers | 222 |
| 21.2.4 Interrupts | 222 |
| 21.3 Operation | 223 |
| 21.3.1 Input-Capture Channel | 223 |
| 21.3.2 Handling Interrupts | 223 |
| 21.3.3 Example ISR | 223 |
| 21.3.4 Capture Mode | 224 |
| 21.3.5 Count Mode | 224 |
| 21.4 Register Descriptions | 225 |
| | |
| Chapter 22. Quadrature Decoder | 231 |
| 22.1 Overview | 231 |
| 22.1.1 Block Diagram | 233 |
| 22.1.2 Registers | 233 |
| 22.2 Dependencies | 234 |
| 22.2.1 I/O Pins | 234 |
| 22.2.2 Clocks | 234 |
| 22.2.3 Other Registers | 234 |
| 22.2.4 Interrupts | 234 |
| 22.3 Operation | 235 |
| 22.3.1 Handling Interrupts | 235 |
| 22.3.2 Example ISR | 235 |
| 22.4 Register Descriptions | 236 |
| | |
| Chapter 23. Pulse Width Modulator | 239 |
| 23.1 Overview | 239 |
| 23.1.1 Block Diagram | 241 |
| 23.1.2 Registers | 241 |
| 23.2 Dependencies | 242 |
| 23.2.1 I/O Pins | 242 |
| 23.2.2 Clocks | 242 |
| 23.2.3 Other Registers | 242 |
| 23.2.4 Interrupts | 242 |
| 23.3 Operation | 243 |
| 23.3.1 Handling Interrupts | 243 |
| 23.3.2 Example ISR | 243 |
| 23.4 Register Descriptions | 244 |
| | |
| Chapter 24. External I/O Control | 247 |
| 24.1 Overview | 247 |
| 24.1.1 Auxiliary I/O Bus | 247 |
| 24.1.2 I/O Strokes | 248 |
| 24.1.3 I/O Handshake | 249 |
| 24.1.4 Block Diagram | 250 |
| 24.1.5 Registers | 250 |
| 24.2 Dependencies | 251 |
| 24.2.1 I/O Pins | 251 |
| 24.2.2 Clocks | 251 |
| 24.2.3 Other Registers | 251 |
| 24.2.4 Interrupts | 251 |

| | | |
|--|---|------------|
| 24.3 | Operation | 252 |
| 24.3.1 | Auxiliary I/O Bus | 252 |
| 24.3.2 | I/O Strobes | 252 |
| 24.3.3 | I/O Handshake | 252 |
| 24.4 | Register Descriptions | 253 |
| Chapter 25. Breakpoints | | 263 |
| 25.1 | Overview | 263 |
| 25.1.1 | Block Diagram | 264 |
| 25.1.2 | Registers | 265 |
| 25.2 | Dependencies | 266 |
| 25.2.1 | I/O Pins | 266 |
| 25.2.2 | Clocks | 266 |
| 25.2.3 | Other Registers | 266 |
| 25.2.4 | Interrupts | 266 |
| 25.3 | Operation | 266 |
| 25.3.1 | Handling Interrupts | 266 |
| 25.3.2 | Example ISR | 267 |
| 25.4 | Register Descriptions | 268 |
| Chapter 26. Low-Power Operation | | 271 |
| 26.1 | Overview | 271 |
| 26.1.1 | Registers | 272 |
| 26.2 | Operation | 273 |
| 26.2.1 | Unused Pins | 273 |
| 26.2.2 | Clock Rates | 273 |
| 26.2.3 | Short Chip Selects | 274 |
| 26.2.4 | Self-Timed Chip Selects | 279 |
| 26.3 | Register Descriptions | 280 |
| Chapter 27. System/User Mode | | 283 |
| 27.1 | Overview | 283 |
| 27.1.1 | Registers | 284 |
| 27.2 | Dependencies | 285 |
| 27.2.1 | I/O Pins | 285 |
| 27.2.2 | Clocks | 285 |
| 27.2.3 | Other Registers | 285 |
| 27.2.4 | Interrupts | 286 |
| 27.3 | Operation | 287 |
| 27.3.1 | Memory Protection Only | 287 |
| 27.3.2 | Mixed System/User Mode Operation | 288 |
| 27.3.3 | Complete Operating System | 288 |
| 27.3.4 | Enabling the System/User Mode | 289 |
| 27.3.5 | System/User Mode Instructions | 290 |
| 27.3.6 | System Mode Violation Interrupt | 291 |
| 27.3.7 | Handling Interrupts in the System/User Mode | 292 |
| 27.4 | Register Descriptions | 294 |
| Chapter 28. Specifications | | 301 |
| 28.1 | DC Characteristics | 301 |
| 28.2 | AC Characteristics | 303 |
| 28.3 | Memory Access Times | 304 |
| 28.3.1 | Memory Reads | 304 |
| 28.3.2 | Memory Writes | 305 |
| 28.3.3 | External I/O Reads | 308 |
| 28.3.4 | External I/O Writes | 309 |
| 28.3.5 | Memory Access Times | 311 |
| 28.4 | Clock Speeds..... | 314 |
| 28.4.1 | Recommended Clock/Memory Configurations | 314 |

| | |
|--|------------|
| 28.5 Power and Current Consumption | 317 |
| 28.5.1 Sleepy Mode Current Consumption | 318 |
| 28.5.2 Battery-Backed Clock Current Consumption | 319 |
| Chapter 29. Package Specifications and Pinout | 321 |
| 29.1 LQFP Package | 321 |
| 29.1.1 Pinout | 321 |
| 29.1.2 Mechanical Dimensions and Land Pattern | 322 |
| 29.2 Ball Grid Array Package | 324 |
| 29.2.1 Pinout | 324 |
| 29.2.2 Mechanical Dimensions and Land Pattern | 325 |
| 29.3 Rabbit Pin Descriptions..... | 327 |
| Appendix A. Parallel Port Pins with Alternate Functions | 329 |
| A.1 Alternate Parallel Port Pin Outputs | 329 |
| A.2 Alternate Parallel Port Pin Inputs..... | 331 |
| Appendix B. Rabbit 4000 ESD Design Guidelines and Bug Workarounds | 333 |
| B.1 ESD Sensitivity..... | 334 |
| B.1.1 ESD Design Guidelines | 334 |
| B.2 Bugs | 335 |
| Index | 339 |

1. THE RABBIT 4000 PROCESSOR

1.1 Introduction

Rabbit Semiconductor was formed expressly to design a better microprocessor for use in small- and medium-scale single-board computers. The first microprocessors were the *Rabbit 2000* and the *Rabbit 3000*. The latest microprocessor is the *Rabbit 4000*. Rabbit microprocessor designers have had years of experience using Z80, Z180, and HD64180 microprocessors in small single-board computers. The Rabbit microprocessors share a similar architecture and a high degree of compatibility with these microprocessors, but represent a vast improvement.

The Rabbit 4000 is a high-performance microprocessor with low electromagnetic interference (EMI), and is designed specifically for embedded control, communications, and Ethernet connectivity. The 8-bit Rabbit 4000 outperforms most 16-bit processors without losing the efficiency of an 8-bit architecture. Extensive integrated features and glueless architecture facilitate rapid hardware design, while a C-friendly instruction set promotes efficient development of even the most complex applications.

The Rabbit 4000 is fast, running at up to 60 MHz, with compact code and support for up to 16 MB of memory. Operating with a 1.8 V core and 3.3 or 1.8 V I/O, the Rabbit 4000 boasts an internal 10Base-T Ethernet interface, eight channels of DMA, six serial ports with IrDA, 40+ digital I/O, quadrature decoder, PWM outputs, and pulse capture and measurement capabilities. It also features a battery-backable real-time clock, glueless memory and I/O interfacing, and ultra-low power modes. Four levels of interrupt priority allow fast response to real-time events. Its compact instruction set and high clock speeds give the Rabbit 4000 exceptionally fast math, logic, and I/O performance.

1.2 Features

The Rabbit 4000 has several powerful design features that practically eliminate EMI problems, which is essential for OEMs that need to pass CE and regulatory radiofrequency emissions tests. The amplitude of any electromagnetic radiation is reduced by the internal spectrum spreader, by gated clocks (which prevent unnecessary clocking of unused registers), and by separate power planes for the processor core and I/O pins (which reduce noise crosstalk). An auxiliary I/O bus can be used by designers to enable separate buses for I/O and memory or to limit loading the memory bus to reduce EMI and ground bounce problems when interfacing external peripherals to the processor. The auxiliary I/O bus accomplishes this by duplicating the Rabbit's data bus on Parallel Port A, and uses Parallel

Port B to provide the processor's six or eight least significant address lines for interfacing with external peripherals.

The high-performance instruction set offers both greater efficiency and execution speed of compiler-generated C code. Instructions include numerous single-byte opcodes that execute in two clock cycles, 16-bit and 32-bit loads and stores, 16-bit and 32-bit logical and arithmetic operations, 16×16 multiply (executes in 12 clocks), long jumps and returns for accessing a full 16 megabytes of memory, and one-byte prefixes to turn memory-access instructions into internal and external I/O instructions. Hardware-supported breakpoints ease debugging by trapping on code execution or data reads and writes.

The Rabbit 4000 requires no external memory driver or interface-logic. Its 24-bit address bus, 8-bit or 16-bit data bus, three chip-select lines, two output-enable lines, and two write-enable lines can be interfaced directly with up to six memory devices. Up to 1 MB of memory can be accessed directly via the Dynamic C development software, and up to 16 MB can be interfaced with additional software development. A built-in slave port allows the Rabbit 4000 to be used as master or slave in multi-processor systems, permitting separate tasks to be assigned to dedicated processors. An 8-line data port and five control signals simplify the exchange of data between devices. A remote cold boot enables startup and programming via a serial port or the slave port.

The Rabbit 4000 features five 8-bit parallel ports, yielding a total of 40 digital I/O. Six CMOS-compatible serial ports are available. All six are configurable as asynchronous (including output pulses in IrDA format), while four are configurable as clocked serial (SPI) and two are configurable as SDLC/HDLC. The various internal peripherals share the parallel port's I/O pins.

The Rabbit 4000 also offers many specialized peripherals. Two input-capture channels each have a 16-bit counter, clocked by the output of an internal timer, that can be used to capture and measure pulses. These measurements can be extended to a variety of functions such as measuring pulse widths or for baud-rate autodetection. Two quadrature decoder channels each have two inputs, as well as an 8 or 10-bit up/down counter. Each quadrature decoder channel provides a direct interface to optical encoder units. Four independent pulse-width modulator (PWM) outputs, each based on a 1024-pulse frame, are driven by the output of a programmable internal timer. The PWM outputs can be filtered to create a 10-bit D/A converter or they can be used directly to drive devices such as motors or solenoids. Two external interrupt vectors can multiplex inputs from up to six external pins.

There are numerous timers available for use in the Rabbit 4000. Timer A consists of ten 8-bit counters, each of which has a programmed time constant. Six of them can be cascaded from the primary Timer A counter. Timer B contains a 10-bit counter, two match registers, and two step registers. An interrupt can be generated or the output pin can be updated when the counter reaches a match value, and the match value is then incremented automatically by the step value. Timer C is a 16-bit counter that counts up to a programmable limit. It contains eight match registers, four to set the output of a parallel-port pin and four to reset it. This allows for the creation of PWM signals (both synchronous and variable-phase) and quadrature signals.

The Rabbit 4000 also provides support for protected operating systems. Support for two levels of operation, known as *system* and *user* modes, allow application-critical code to operate in safety while user code is prevented from inadvertently disturbing the setup of the processor. Memory blocks as small as 4KB can be write-protected against accidental writes by user code, and stack over/underflows can be trapped by high-priority interrupts.

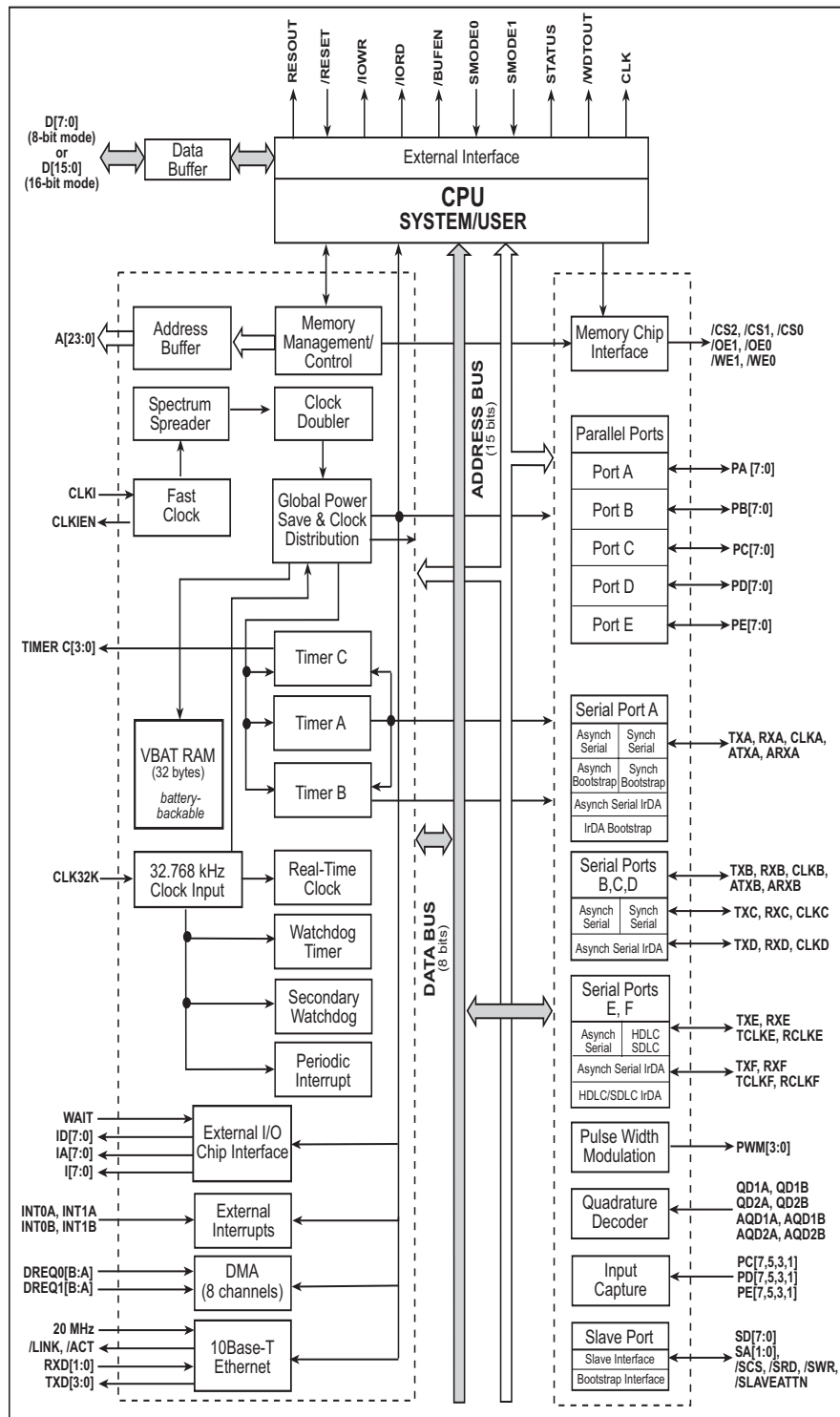
Security features were also introduced in the Rabbit 4000. Portions of the new instruction set were introduced to dramatically increase encryption algorithm speeds, and 32 bytes of battery-backed onchip-encryption RAM store an encryption key away from prying eyes.

The Rabbit 4000 has new peripherals — DMA access and on-chip Ethernet.

The Rabbit 4000 supports eight channels of DMA access to external memory, internal I/O addresses, and the auxiliary I/O bus. Directing a DMA channel to or from an internal peripheral such as a serial port or the Ethernet port automatically connects DMA enable signals. Burst size, priority, and guaranteed cycles for the processor are all under program control.

The Rabbit 4000 contains a fully featured 10Base-T Ethernet peripheral. Designed to operate with the DMA peripheral, the Ethernet peripheral is fully compliant with the 802.3 Ethernet standard, including support for auto-negotiation, link detection, multicast filtering, and broadcast addresses. All digital components of the 10Base-T MAC and PHY are present inside the Rabbit 4000; all that is needed to interface to an Ethernet network is some simple analog filtering and wave-shaping components.

1.3 Block Diagram



1.4 Basic Specifications

Table 1-1. Rabbit 4000 Specifications and Features

| Package | 128-pin LQFP | 128-ball TFBGA |
|---------------------------|--|------------------------|
| Package Size | 16 mm × 16 mm × 1.5 mm | 10 mm × 10 mm × 1.2 mm |
| Operating Voltage | 1.8 V DC core, 3.3 V DC I/O ring | |
| Operating Current | 0.35 mA/MHz @ 1.8 V/3.3 V | |
| Operating Temp. | -40°C to +85°C | |
| Maximum Clock Speed | 60 MHz | |
| Digital I/O | 40+ (arranged in five 8-bit ports) | |
| Serial Ports | 6 CMOS-compatible | |
| Ethernet Port | 10Base-T | |
| Baud Rate | Clock speed/8 max. asynchronous | |
| Address Bus | 20/24-bit | |
| Data Bus | 8/16-bit | |
| Timers | Ten 8-bit, one 10-bit with 2 match registers, and one 16-bit with 8 match registers | |
| Real-Time Clock | Yes, battery backable | |
| RTC Oscillator Circuitry | External | |
| Watchdog Timer/Supervisor | Yes | |
| Clock Modes | 1×, 2×, /2, /3, /4, /6, /8 | |
| Power-Down Modes | Sleepy (32 kHz) Ultra-Sleepy (16, 8, 2 kHz) | |
| Auxiliary I/O Bus | 8 data, 8 address lines | |

1.5 Comparing Rabbit Microprocessors

The Rabbit 2000, Rabbit 3000, and Rabbit 4000 features are compared below.

| Feature | Rabbit 4000 | Rabbit 3000 | Rabbit 2000 |
|---|--|--|---|
| Maximum Clock Speed, industrial | 60 MHz | 55.5 MHz | 30 MHz |
| Maximum Clock Speed, commercial | 60 MHz | 58.8 MHz | 30 MHz |
| Maximum Crystal Frequency Main Oscillator (may be doubled internally up to maximum clock speed) | 60 MHz | 30 MHz | 30 MHz |
| 32.768 kHz Crystal Oscillator | External | External | Internal |
| Operating Voltage, core Operation Voltage, I/O | 1.8 V \pm 10% 3.3 V or 1.8 V \pm 10% | 3.3 V \pm 10% | 5.0 V \pm 10% |
| Maximum I/O Input Voltage | 3.6 V | 5.5 V | 5.5 V |
| Current Consumption | 0.35 mA/MHz @ 3.3 V | 2 mA/MHz @ 3.3 V | 4 mA/MHz @ 5 V |
| Number of Package Pins | 128 | 128 | 100 |
| Size of Package, LQFP/PQFP Spacing Between Package Pins | 16 \times 16 \times 1.5 mm 0.4 mm (16 mils) | 16 \times 16 \times 1.5 mm 0.4 mm (16 mils) | 24 \times 18 \times 3 mm 0.65 mm (26 mils) |
| Size of Package, TFBGA Spacing Between Package Pins | 10 \times 10 \times 1.2 mm 0.8 mm | 10 \times 10 \times 1.2 mm 0.8 mm | Not available |
| Separate Power and Ground for I/O Buffers (EMI reduction) | Yes | Yes | No |
| Clock Spectrum Spreader | Yes | Yes | Rabbit 2000B/C |
| Clock Modes | 1x, 2x, /2, /3, /4, /6, /8 | 1x, 2x, /2, /3 /4, /6, /8 | 1x, 2x, /4, /8 |
| Powerdown Modes, sleepy | 32 kHz | 32 kHz | 32 kHz |
| Powerdown Modes, ultra sleepy | 16, 8, 2 kHz | 16, 8, 2 kHz | |
| Low-Power Memory Control | Short and Self-Timed Chip Selects | Short and Self-Timed Chip Selects | None |
| Extended Memory Timing for High-Frequency Operation | Yes | Yes | Rabbit 2000C |
| Number of 8-bit I/O Ports | 5 | 7 | 5 |
| Auxiliary I/O Data/Address Bus | Yes | Yes | None |
| Number of Serial Ports | 6 | 6 | 4 |
| Serial Ports Capable of SPI/Clocked Serial | 4 (A, B, C, D) | 4 (A, B, C, D) | 2 (A, B) |
| Serial Ports Capable of SDLC/HDLC | 2 (E, F) | 2 (E, F) | None |

| Feature | Rabbit 4000 | Rabbit 3000 | Rabbit 2000 |
|---|--------------------|--------------------|--------------------|
| Asynch Serial Ports With Support for IrDA Communication | 6 | 6 | None |
| Serial Ports with Support for SDLC/ HDLC IrDA Communication | 2 | 2 | None |
| Maximum Asynchronous Baud Rate | Clock Speed/8 | Clock Speed/8 | Clock Speed/32 |
| Ethernet Port | 10Base-T | None | None |
| Input Capture Units | 2 | 2 | None |



2. CLOCKS

2.1 Overview

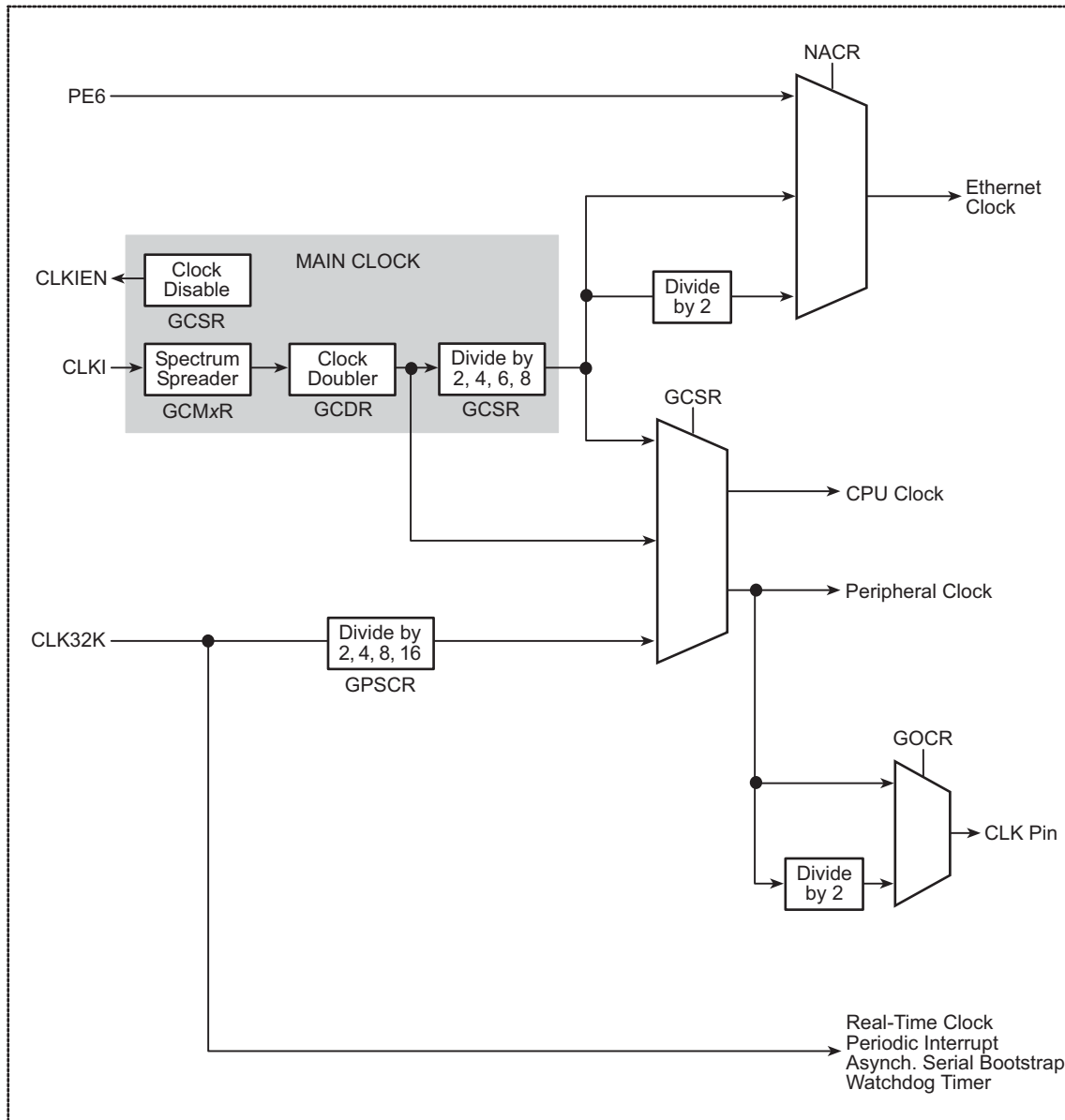
The Rabbit 4000 supports up to three separate clocks—the main clock, the 32 kHz clock, and the 20 MHz Ethernet clock. The main clock is used to derive the processor clock and the peripheral clock inside the processor. The 32 kHz clock is used to drive the asynchronous serial bootstrap, the real-time clock, the periodic interrupt, and the watchdog timers.

The Rabbit 4000 has a spectrum spreader on the main clock that shortens and lengthens clock cycles. This has the net effect of reducing the peak energy of clock harmonics by spreading the spectral energy into nearby frequencies, which reduces EMI and facilitates government-mandated EMI testing. Gated clocks are used whenever possible to avoid clocking unused portions of the processor, and separate power-supply pins for the core and I/O ring further reduce EMI from the Rabbit 4000.

The main clock can be doubled or divided by 2, 4, 6, or 8 to reduce EMI and power consumption. The 32 kHz clock (which can be divided by 2, 4, 8, or 16) can be used instead of the main clock to generate processor and peripheral clocks as low as 2 kHz for significant power savings. Note that dividing the 32 kHz clock only affects the processor and peripheral clocks; the full 32 kHz signal is still provided to the peripherals (RTC and watchdog timers) that use it directly. The periodic interrupt is automatically disabled since there is not enough time to process it when running off the 32 kHz clock.

The Ethernet clock can be driven by the processor clock, the processor clock divided by 2, or by the input on PE6. The Ethernet clock needs to be 20 MHz to conform to the 10Base-T specification. See Chapter 20 for more details on the Ethernet clock.

2.1.1 Block Diagram



2.1.2 Registers

| Register Name | Mnemonic | I/O Address | R/W | Reset |
|------------------------------------|----------|-------------|-----|----------|
| Global Control/Status Register | GCSR | 0x0000 | R/W | 11000000 |
| Global Clock Modulator 0 Register | GCM0R | 0x000A | W | 00000000 |
| Global Clock Modulation 1 Register | GCM1R | 0x000B | W | 00000000 |
| Global Clock Double Register | GCDR | 0x000F | R/W | 00000000 |

2.2 Dependencies

2.2.1 I/O Pins

The main clock input is on the CLKI pin. There is an internal Schmitt trigger on this pin to remove problems with noise on slowly-transitioning signals.

The main clock disable output is on the CLKIEN pin. Its state is changed by one of the bit combinations of bits 4:2 in GCSR.

The 32 kHz clock input is on the CLK32K pin. There is an internal Schmitt trigger on this pin as well.

The peripheral clock or peripheral clock divided by 2 may be optionally output on the CLK pin by enabling it via bits 7:6 in GOOCR.

The Ethernet clock may be input on pin PE6 by enabling it via bits 7:6 in NACR. It may be set to use the processor clock or processor clock divided by 2 in that register as well. Note that there is not an internal Schmitt trigger on PE6; it is highly recommended that an external Schmitt trigger be placed on this pin if it is to be used as the Ethernet clock.

2.2.2 Other Registers

| Register | Function |
|----------|------------------------------------|
| GOOCR | Used to set up the CLK output pin. |
| NACR | Used to set up the Ethernet clock. |

2.3 Operation

2.3.1 Main Clock

The main clock is input on the CLKI pin, and is optionally sent through the spectrum spreader and then the clock doubler. Both of these are described in greater detail below.

Different main clock modes may be selected via the GCSR, as shown in Table 2-1. Note that one GCSR setting slows the processor clock while the peripheral clock operates at full speed; this allows some power reduction while keeping settings like serial baud rates and the PWM at their desired values.

Table 2-1. Clock Modes

| GCSR Setting | Processor Clock | Peripheral Clock |
|--------------|---|--|
| xxx010xx | Main clock | Main clock |
| xxx011xx | Main clock / 2 | Main clock / 2 |
| xxx110xx | Main clock / 4 | Main clock / 4 |
| xxx111xx | Main clock / 6 | Main clock / 6 |
| xxx000xx | Main clock / 8 | Main clock / 8 (default on startup) |
| xxx001xx | Main clock / 8 | Main clock |
| xxx100xx | 32 kHz clock (possibly divided) | 32 kHz clock (possibly divided via GPSCR) |
| xxx101xx | 32 kHz clock (possibly divided); main clock disabled via CLKIEN output signal | 32 kHz clock (possibly divided via GPSCR) |

When the 32 kHz clock is enabled in GCSR, it can be further divided by 2, 4, 6, or 8 to generate even lower frequencies by enabling those modes in bits 0–2 of GPSCR. See Table 2-4 for more details.

2.3.2 Spectrum Spreader

When enabled, the spectrum spreader stretches and compresses the main clock in a complex pattern that spreads the energy of the clock harmonics over a wider range of frequencies.

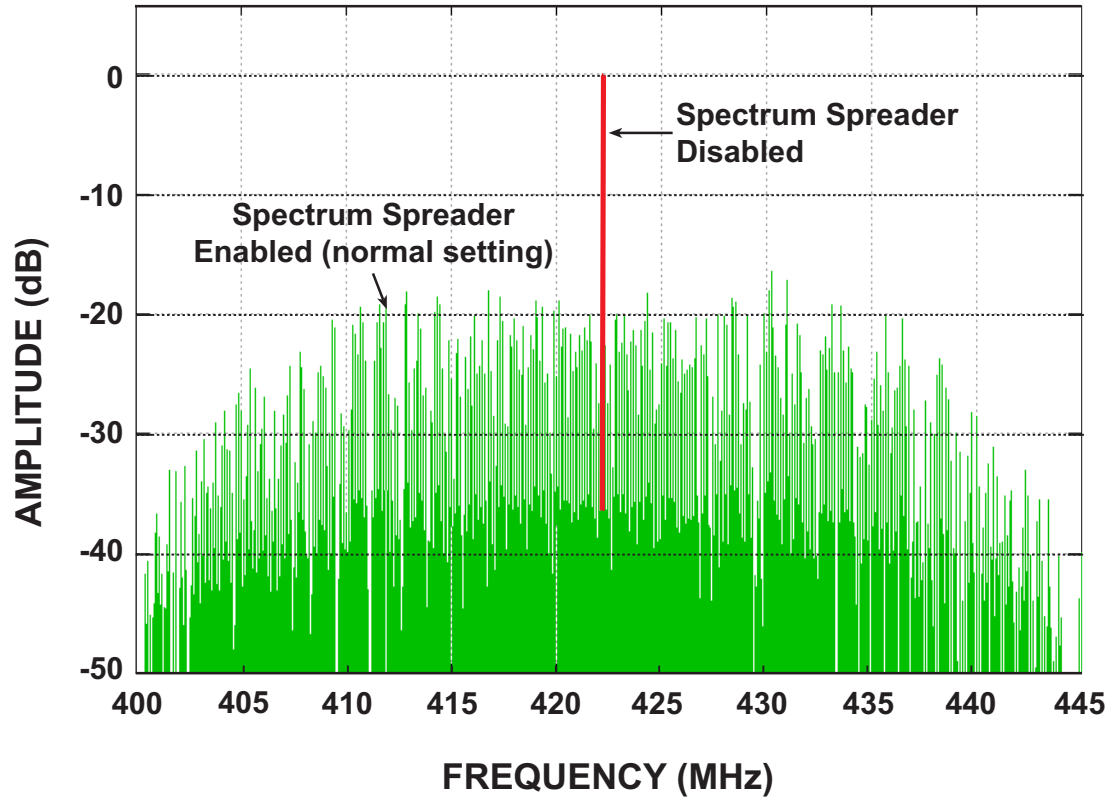


Figure 2-1. Effects of Spectrum Spreader

There are three settings that correspond to normal and strong spreading in the 0–50 MHz and >50 MHz main clock range. Each setting will affect the clock cycle differently; the maximum cycle shortening (at 1.8 V and 25°C) is shown in Table 2-2 below.

Table 2-2. Spectrum Spreader Settings

| 0–50 MHz | > 50 MHz | GCM0R Value | Description | Max. Cycle Shortening |
|----------|----------|-------------|---|-----------------------|
| — | Normal | 0x40 | Normal spreading of frequencies over 50 MHz | 2.3 ns |
| Normal | Strong | 0x00 | Normal spreading of frequencies up to 50 MHz; strong spreading of frequencies over 50 MHz | 3 ns |
| Strong | — | 0x80 | Strong spreading of frequencies up to 50 MHz; normal spreading of frequencies over 50 MHz | 4.5 ns |

The spectrum spreader either stretches or shrinks the low plateau of the clock by a maximum of 3 ns for the normal spreading and up to 5 ns for the strong spreading. If the clock doubler is used, this will cause an additional asymmetry between alternate clock cycles.

Both normal and strong modes reduce clock harmonics by approximately 15 dB for frequencies above 100 MHz; for lower frequencies the strong setting has a greater effect in reducing the peak spectral strength as shown in Figure 2-2.

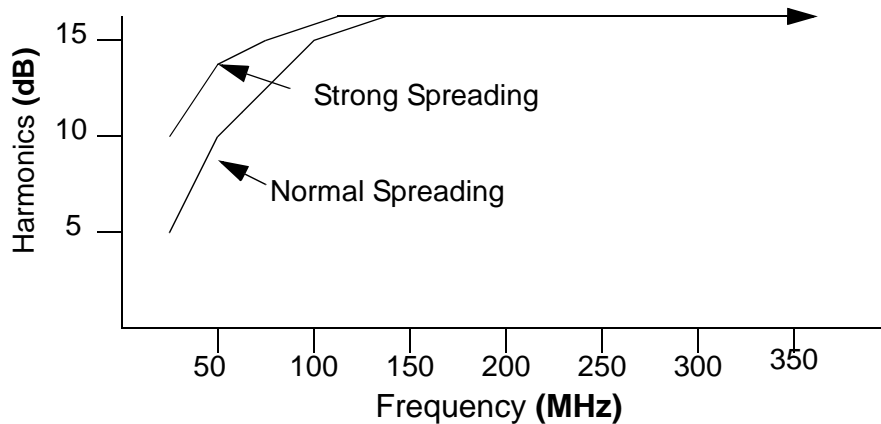


Figure 2-2. Peak Spectral Amplitude Reduction by Spectrum Spreader

Two registers control the clock spectrum spreader. These registers must be loaded in a specific manner with proper time delays. GCM0R is only read by the spectrum spreader at the moment when the spectrum spreader is enabled by storing 0x080 in GCM1R. If GCM1R is cleared (when disabling the spectrum spreader), there is up to a 500-clock delay before the spectrum spreader is actually disabled. The proper procedure is to clear GCM1R, wait for 500 clocks, set GCM0R, and then enable the spreader by storing 0x080 in GCM1R.

The spectrum spreader is applied to the main clock before the clock doubler, so if both are enabled there will be additional asymmetry between alternate clock cycles. If the clock doubler is used, the spectrum spreader affects every other cycle and reduces the clock high time. If the doubler is not used, then the spreader affects every clock cycle, and the clock low time is reduced.

2.3.3 Clock Doubler

The clock doubler allows a lower frequency crystal to be used for the main oscillator and to provide an added range over which the clock frequency can be adjusted. The clock doubler is controlled via the Global Clock Double Register (GCDR).

The clock doubler uses an on-chip delay circuit that must be programmed by the user at startup if there is a need to double the clock. Table 2-3 lists the recommended delays for the GCDR for various oscillator frequencies.

Table 2-3. Recommended Delays Set In GCDR for Clock Doubler

| Recommended GCDR Value | Frequency Range |
|------------------------|---------------------|
| 0x0F | ≤ 7.3728 MHz |
| 0x0B | 7.3728–11.0592 MHz |
| 0x09 | 11.0592–16.5888 MHz |
| 0x06 | 16.5888–20.2752 MHz |
| 0x03 | 20.2752–52.8384 MHz |
| 0x01 | 52.8384–70.0416 MHz |
| 0x00 | > 70.0416 MHz |

When the clock doubler is used and there is no subsequent division of the clock, the output clock will be asymmetric, as shown in Figure 2-3.

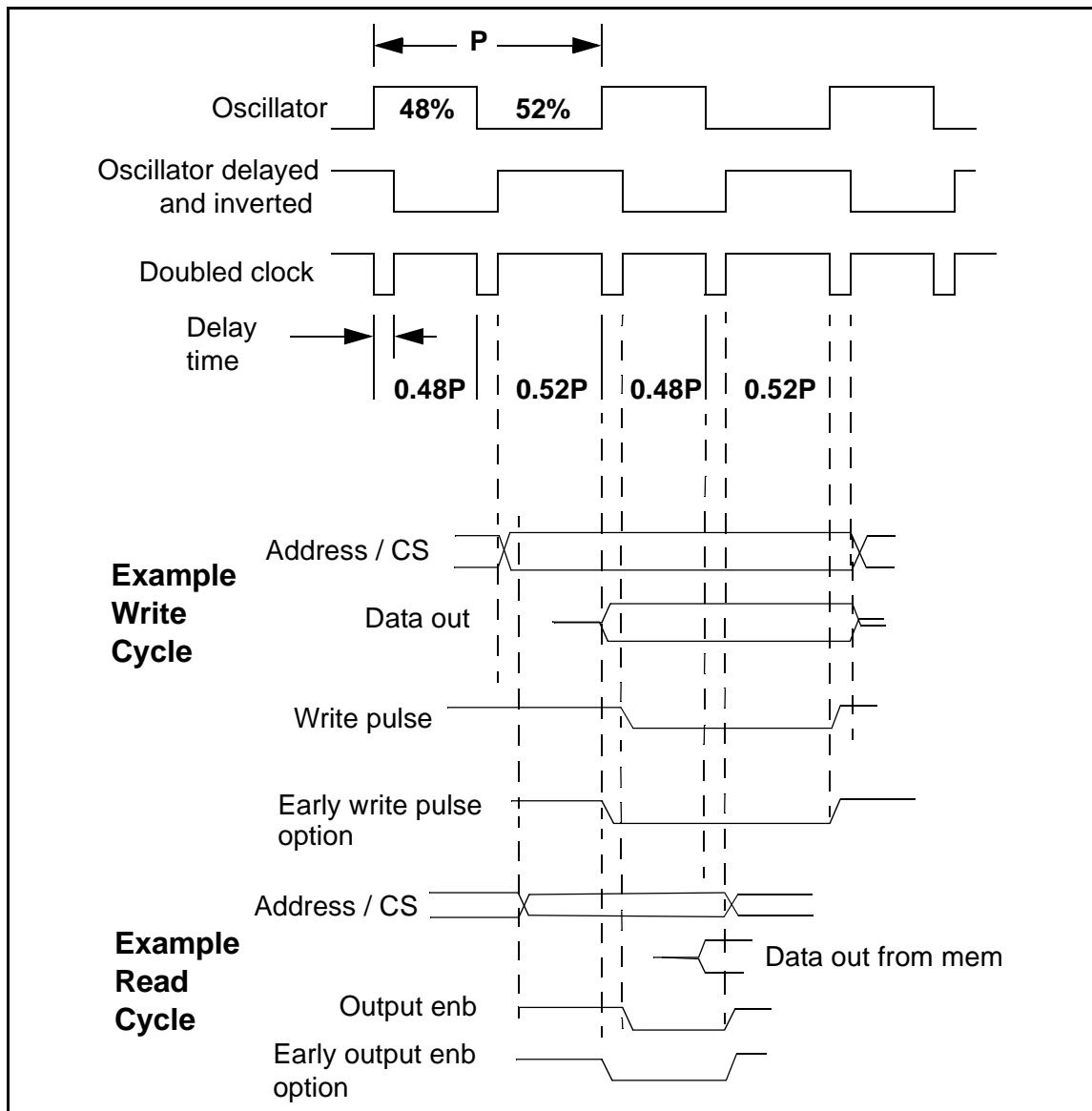


Figure 2-3. Effect of Clock Doubler

The doubled-clock low time is subject to wide (50%) variation since it depends on process parameters, temperature, and voltage. The times given above are for a core supply voltage of 1.8 V and a temperature of 25°C. The values increase or decrease by 1% for each 5°C increase or decrease in temperature. The doubled clock is created by xor'ing the delayed and inverted clock with itself. If the original clock does not have a 50-50 duty cycle, then alternate clocks will have a slightly different length. Since the duty cycle of the built-in oscillator can be as asymmetric as 52% / 48%, the clock generated by the clock doubler will exhibit up to a 4% variation in period on alternate clocks. Memory access time is not affected because memory bus cycle is 2 clocks long and includes both a long and a short

clock, resulting in no net change due to asymmetry. However, if an odd number of wait states is used, then the memory access time will be affected slightly

The maximum allowed clock speed must be slightly reduced if the clock is supplied via the clock doubler. The only signals clocked on the falling edge of the clock are the memory and I/O write pulses and the early option memory output enable. See Chapter 5 for more information on the early output enable and write enable options.

The power consumption is proportional to the clock frequency, and for this reason power can be reduced by slowing the clock when less computing activity is taking place. The clock doubler provides a convenient method of temporarily speeding up or slowing down the clock as part of a power management scheme.

2.3.4 32 kHz Clock

The 32.768 kHz clock is used to drive the asynchronous serial bootstrap, the real-time clock, the periodic interrupt, and the watchdog timers. If these features are not used in a design, the use of the 32 kHz clock is optional.

A simplified version of the recommended oscillator circuit for the Rabbit 4000 is shown below. The values of resistors and capacitors may need to be adjusted for various frequencies and crystal load capacitances. Technical Note TN235, “External 32.768 kHz Oscillator Circuits“, is available on the Rabbit Semiconductor web site and goes into this circuit in detail.

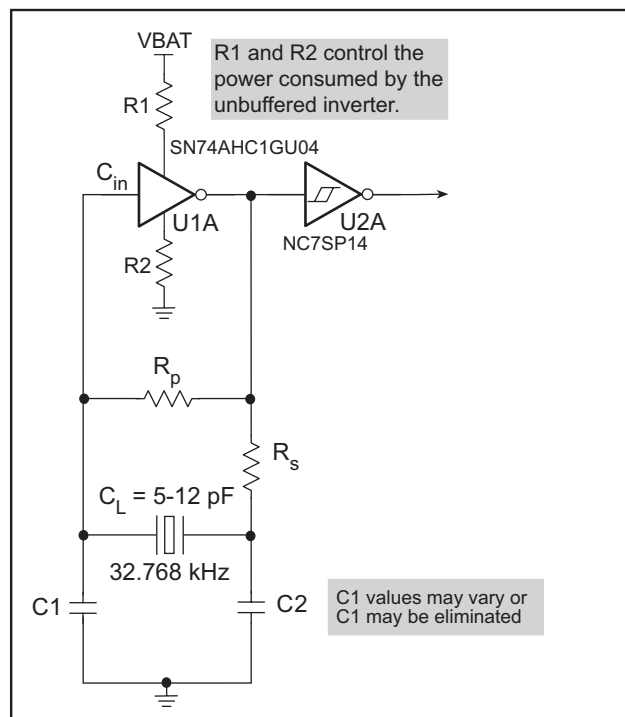


Figure 2-4. Basic 32.768 kHz Oscillator Circuit

The 32.768 kHz circuit consumes microampere level currents and has a very high impedance, making it susceptible to noise, moisture, and environmental contaminants. It is strongly recommended to conformally coat this circuit to limit effects of temperature and humidity on the oscillation frequency. Details about this requirement are available in Technical Note TN303, “Conformal Coating”, from the Rabbit Semiconductor Web site.

The 32.768 kHz oscillator is slow to start oscillating after power-on. For this reason, a wait loop in the BIOS waits until this oscillator is oscillating regularly before continuing the startup procedure. If the clock is battery-backed, there will be no startup delay since the oscillator is already oscillating. The startup delay may be as much as 5 seconds. Crystals with low series resistance ($R < 35 \text{ k}\Omega$) will start faster.

The 32 kHz oscillator can be used to drive as the processor and peripheral clock to provide significant power savings in “ultra-sleepy” modes. The 32 kHz oscillator can be divided by 2, 4, 8, or 16 to provide clock speeds as low as 2.048 kHz. Special self-timed chip selects are available to keep the memory devices enabled for as short a time as possible when an ultra-sleepy mode is enabled; see Chapter 26 for more details on reducing power consumption.

Table 2-4. Ultra-Sleepy Clock Modes

| GPSCR Setting | Processor and Peripheral Clock |
|----------------------|---------------------------------------|
| xxxxx000 | 32.768 kHz |
| xxxxx100 | 16.384 kHz |
| xxxxx101 | 8.192 kHz |
| xxxxx110 | 4.096 kHz |
| xxxxx111 | 2.048 kHz |

When the 32 kHz clock is enabled, the periodic interrupt is disabled automatically. The real-time clock and watchdog timers keep running, and use the full 32 kHz clock even when the processor and peripheral clocks use a divider on the 32 kHz clock.

2.4 Register Descriptions

| Global Control/Status Register (GCSR) (Address = 0x0000) | | |
|--|-------|--|
| Bit(s) | Value | Description |
| 7:6 (rd-only) | 00 | No reset or watchdog timer timeout since the last read. |
| | 01 | The watchdog timer timed out. These bits are cleared by a read of this register. |
| | 10 | This bit combination is not possible. |
| | 11 | Reset occurred. These bits are cleared by a read of this register. |
| 5 | 0 | No effect on the periodic interrupt. This bit will always be read as zero. |
| | 1 | Force a periodic interrupt to be pending. |
| 4:2 | 000 | Processor clock from the main clock, divided by 8. Peripheral clock from the main clock, divided by 8. |
| | 001 | Processor clock from the main clock, divided by 8. Peripheral clock from the main clock. |
| | 010 | Processor clock from the main clock. Peripheral clock from the main clock. |
| | 011 | Processor clock from the main clock, divided by 2. Peripheral clock from the main clock, divided by 2. |
| | 100 | Processor clock from the 32 kHz clock, optionally divided via GPSCR. Peripheral clock from the 32 kHz clock, optionally divided via GPSCR. |
| | 101 | Processor clock from the 32 kHz clock, optionally divided via GPSCR. Peripheral clock from the 32 kHz clock, optionally divided via GPSCR. The main clock is disabled. |
| | 110 | Processor clock from the main clock, divided by 4. Peripheral clock from the main clock, divided by 4. |
| | 111 | Processor clock from the main clock, divided by 6. Peripheral clock from the main clock, divided by 6. |
| 1:0 | 00 | Periodic interrupts are disabled. |
| | 01 | Periodic interrupts use Interrupt Priority 1. |
| | 10 | Periodic interrupts use Interrupt Priority 2. |
| | 11 | Periodic interrupts use Interrupt Priority 3. |

| Global Clock Modulator 0 Register (GCM0R) (Address = 0x000A) | | |
|---|--------------|---|
| Bit(s) | Value | Description |
| 7:6 | 00 | Clock dither in 1 ns steps, from 0 ns to 26 ns. Do not modify while the dither function is enabled. |
| | 01 | Clock dither in 0.5 ns steps, from 0 ns to 13 ns. |
| | 10 | Clock dither in 2 ns steps, from 0 ns to 52 ns. |
| | 11 | This bit combination is reserved and must not be used. |
| 5:0 | | These bits are reserved and should be written with zeros. |

| Global Clock Modulator 1 Register (GCM1R) (Address = 0x000B) | | |
|---|--------------|---|
| Bit(s) | Value | Description |
| 7 | 0 | Disable the clock dither function. Disable does not take effect until the dither pattern has returned to the 0 ns base delay value. |
| | 1 | Enable the clock dither function. |
| 6:0 | | These bits are reserved and should be written with zeros. |

| Global Clock Double Register (GCDR) (Address = 0x000F) | | |
|---|------------------------|--|
| Bit(s) | Value | Description |
| 7:5 | | These bits are reserved and should be written with zeros. |
| 4:0 | 00000 | The clock doubler circuit is disabled. |
| | 00001 | 6 ns nominal low time. |
| | 00010 | 7 ns nominal low time. |
| | 00011 | 8 ns nominal low time. |
| | 00100 | 9 ns nominal low time. |
| | 00101 | 10 ns nominal low time. |
| | 00110 | 11 ns nominal low time. |
| | 00111 | 12 ns nominal low time. |
| | 01000 | 13 ns nominal low time. |
| | 01001 | 14 ns nominal low time. |
| | 01010 | 15 ns nominal low time. |
| | 01011 | 16 ns nominal low time. |
| | 01100 | 17 ns nominal low time. |
| | 01101 | 18 ns nominal low time. |
| | 01110 | 19 ns nominal low time. |
| | 01111 | 20 ns nominal low time. |
| | 10001 | 3 ns nominal low time. |
| 10010 | 4 ns nominal low time. | |
| 10011 | 5 ns nominal low time. | |
| other | | Any bit combination not listed is reserved and must not be used. |

| Global Output Control Register (GOCR) (Address = 0x000E) | | |
|---|--------------|---|
| Bit(s) | Value | Description |
| 7:6 | 00 | CLK pin is driven with peripheral clock. |
| | 01 | CLK pin is driven with peripheral clock divided by 2. |
| | 10 | CLK pin is low. |
| | 11 | CLK pin is high. |
| 5:4 | 00 | STATUS pin is active (low) during a first opcode byte fetch. |
| | 01 | STATUS pin is active (low) during an interrupt acknowledge. |
| | 10 | STATUS pin is low. |
| | 11 | STATUS pin is high. |
| 3:2 | 00 | /WDTOUT pin functions normally. |
| | 01 | Enable /WDTOUT for test mode. Rabbit Semiconductor internal use only. |
| | 10 | /WDTOUT pin is low (1 cycle min, 2 cycles max, of 32 kHz). |
| | 11 | This bit combination is reserved and should not be used. |
| 1:0 | 00 | /BUFEN pin is active (low) during external I/O cycles. |
| | 01 | /BUFEN pin is active (low) during data memory accesses. |
| | 10 | /BUFEN pin is low. |
| | 11 | /BUFEN pin is high. |

| Network Port A Control Register (NACR) (Address = 0x0207) | | |
|--|--------------|---|
| Bit(s) | Value | Description |
| 7:6 | 00 | Disable the Ethernet clock. |
| | 01 | Ethernet clock from PE6 on Parallel Port E. |
| | 10 | Ethernet clock from peripheral clock. |
| | 11 | Ethernet clock from peripheral clock divided by 2. |
| 5:4 | | These bits are unused and should be written with zero. |
| 3 | 0 | Normal operation. |
| | 1 | Restart auto-negotiation process. |
| 2 | 0 | Disable auto-negotiation function. |
| | 1 | Enable auto-negotiation function. |
| 1 | 0 | Force half-duplex operation. If auto-negotiation is enabled, only half-duplex operation will be advertised. |
| | 1 | Enable full-duplex operation. If auto-negotiation is disabled, this forces full-duplex operation. If auto-negotiation is enabled, this allows advertising full-duplex capability. |
| 0 | | This bit is unused and should be written with zero. |

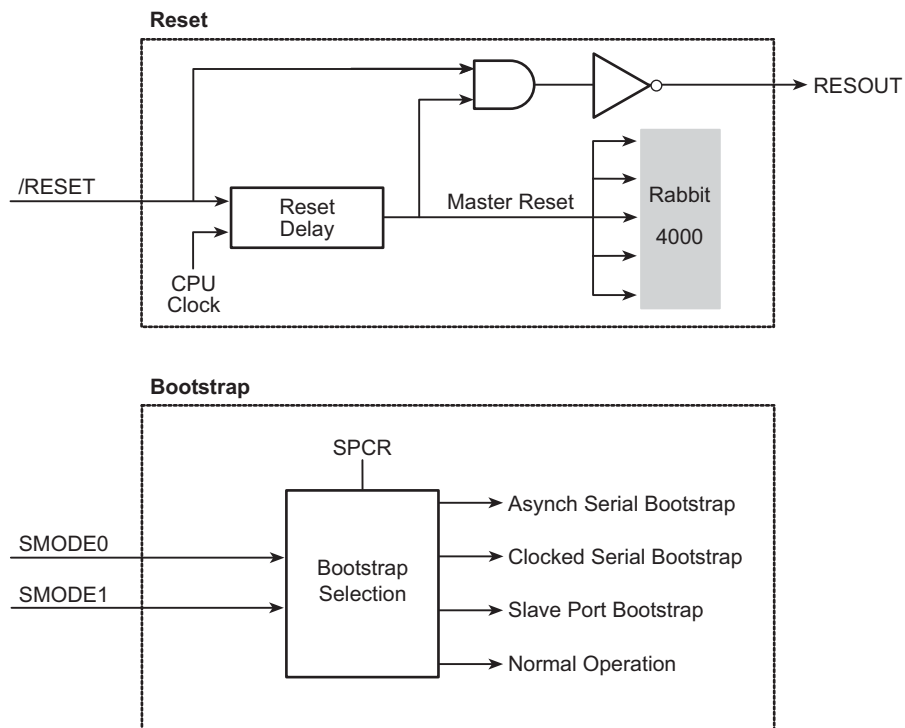
3. RESET AND BOOTSTRAP

3.1 Overview

The Rabbit 4000's /RESET pin initializes everything in the processor except for the real-time clock registers and the contents of the battery-backed onchip-encryption RAM. If a write cycle is in progress, it waits until the write cycle is completed to avoid potential memory corruption.

After reset, the Rabbit 4000 checks the state of the SMODE pins. Depending on their state, it either begins normal operation by fetching instruction bytes from /CS0 and /OE0, or it enters a special bootstrap mode where it fetches bytes from either Serial Port A or the slave port. In this mode, bytes can be written to internal registers to set up the Rabbit 4000 for a particular configuration, or to memory to load a program. The processor can begin normal operation once the bootstrap operation is completed.

3.1.1 Block Diagram



3.1.2 Registers

| Register Name | Mnemonic | I/O Address | R/W | Reset |
|-----------------------------|----------|-------------|-----|----------|
| Slave Port Control Register | SPCR | 0x0024 | R/W | 0xx00000 |

3.2 Dependencies

3.2.1 I/O Pins

SMODE0, SMODE1 — When the Rabbit 4000 is first powered up or when it is reset, the state of the SMODE0 and SMODE1 pins controls its operation.

/RESET — Pulling the /RESET pin low will initialize everything in the Rabbit 4000 except for the real-time clock registers and the onchip-encryption RAM.

/CS1 — During reset the impedance of the /CS1 pin is high, and all other memory and I/O control signals are held high. The special behavior of /CS1 allows an external RAM to be powered by the same source as the VBATIO pin (which powers /CS1). In this case, a pull-up resistor is required on /CS1 to keep the RAM deselected during powerdown.

RESOUT — The RESOUT pin is high during reset and powerdown, but low at all other times, and can be used to control an external power switch to disconnect VDDIO from VBATIO when the main power source is removed.

3.2.2 Clocks

The processor requires a 32 kHz clock input to generate the 2400 bps internal clock required for asynchronous serial bootstrap. No 32 kHz clock is required for either clocked serial or slave port bootstrap.

When the processor comes out of reset, the CPU clock and peripheral clocks are both in divide-by-8 mode.

3.2.3 Other Registers

| Register | Function |
|-------------|--|
| <u>SPCR</u> | Enable/disable processor monitoring of SMODE pins; read current state of SMODE pins. |

3.2.4 Interrupts

There are no interrupts associated with reset or bootstrap.

3.3 Operation

Pulling the /RESET pin low will initialize everything in the Rabbit 4000 except for the real-time clock registers and the onchip-encryption RAM. The reset of the Rabbit 4000 is delayed until the completion of any write cycles in progress; reset takes effect immediately when no write cycles are occurring. The reset sequence requires a minimum of 128 cycles of the main clock to complete in either case.

During reset, the impedance of the /CS1 pin is high and all other memory and I/O control signals are held high. The special behavior of /CS1 allows an external RAM to be powered by the same source as the VBATIO pin (which powers /CS1). In this case, a pullup resistor is required on /CS1 to keep the RAM deselected during powerdown. The RESOUT pin is high during reset and powerdown, but low at all other times, and can be used to control an external power switch to disconnect VDDIO from VBATIO when the main power source is removed.

Table 3-1 lists the condition of the processor after reset takes place. The state of all registers after reset is provided in the chapter describing the specific peripheral.

Table 3-1. Rabbit 4000 Condition After Reset

| Function | Operation After Reset |
|--|---|
| CPU Clock, Peripheral Clock | Divide-by-8 mode |
| Clock Doubler, Clock Dither | Disabled |
| Memory Bank 0 Control Register | /CS0, /OE0, write-protected, 4 wait states |
| Memory Advanced Control Register | 8-bit interface |
| CPU Registers: PC, SP, IIR, EIR, SU, HTR | 0x0000 |
| Interrupt Priority (IP Register) | 0xFF (Priority 3) |
| Watchdog Timer | Enabled (2 seconds) |
| Secondary Watchdog Timer | Disabled |

The processor checks the SMODE pins after the /RESET signal is inactive. Table 3-2 summarizes what happens:

- If both SMODE pins are zero, the Rabbit 4000 begins fetching instructions from the memory device on /CS0 and /OE0. If a 16-bit memory is used on /CS0, the first section of code must immediately select the 16-bit bus mode. Chapter 5 provides a short program to do this.

- If either of the SMODE pins is high, the processor will enter the bootstrap mode and accept triplets from either Serial Port A or the slave port. It is good practice to place pulldown resistors on the SMODE pins to ensure proper operation of your design.

Table 3-2. SMODE Pin Settings

| SMODE Pins [1,0] | Operation |
|------------------|--|
| 00 | No bootstrap; code is fetched from address 0x0000 on /CS0, /OE0. |
| 01 | Bootstrap from the slave port. |
| 10 | Bootstrap from Serial Port A, clocked mode. |
| 11 | Bootstrap from Serial Port A, asynchronous mode. |

In bootstrap mode, the processor inhibits the normal memory fetch from /CS0 and instead fetches instructions from a small internal boot ROM. This program reads triplets of three bytes from the selected peripheral. The first byte is the most-significant byte of a 16-bit address, the second byte is the least-significant byte of the address, and the third byte is the data to be written. If the uppermost bit of the address is 1, then the address is assumed to be an internal register address instead of a memory address, and the data are written to the appropriate register instead.

The boot ROM program waits for data to be available; each byte received automatically resets the watchdog timer with a 2-second timeout. Bytes must be received quickly enough to prevent timeout (or the watchdog must be disabled).

The device checks the state of the SMODE pins each time it jumps back to the start of the ROM program and responds according to the current state. In addition, by writing to bit 7 of the Slave Port Control Register (SPCR) the processor can be told to ignore the state of the SMODE pins and continue normal operation.

Note that the processor can be told to reenter bootstrap mode at any time by setting bit 7 of SPCR low; once this occurs and the least-significant four bits of the current PC address are zero, the processor will sample the state of the SMODE pins and respond accordingly. This feature allows in-line downloading from the selected bootstrap port; once the download is complete, bit 7 of SPCR can be set high and the processor will continue operating from where it left off.

As a security feature, any attempt to enter bootstrap mode from either the SMODE pins or by writing to bit 7 of SPCR will erase the data stored in the onchip-encryption RAM. This prevents loading a small program in memory to read out the data.

3.4 Register Descriptions

| Slave Port Control Register (SPCR) (Address = 0x0024) | | |
|---|-------|--|
| Bit(s) | Value | Description |
| 7 | 0 | Program fetch as a function of the SMODE pins. |
| | 1 | Ignore the SMODE pins program fetch function. |
| 6:5 | Read | These bits report the state of the SMODE pins. |
| | Write | These bits are ignored and should be written with zero. |
| 4:2 | 000 | Disable the slave port. Parallel Port A is a byte-wide input port. |
| | 001 | Disable the slave port. Parallel Port A is a byte-wide output port. |
| | 010 | Enable the slave port, with /SCS from Parallel Port E bit 7. |
| | 011 | Enable the auxiliary I/O bus. Parallel Port A is used for the data bus and Parallel Port B[7:2] is used for the address bus. |
| | 100 | This bit combination is reserved and should not be used. |
| | 101 | This bit combination is reserved and should not be used. |
| | 110 | Enable the slave port, with /SCS from Parallel Port B bit 6. |
| | 111 | Enable the auxiliary I/O bus. Parallel Port A is used for the data bus and Parallel Port B[7:0] is used for the address bus. |
| 1:0 | 00 | Slave port interrupts are disabled. |
| | 01 | Slave port interrupts use Interrupt Priority 1. |
| | 10 | Slave port interrupts use Interrupt Priority 2. |
| | 11 | Slave port interrupts use Interrupt Priority 3. |

4. SYSTEM MANAGEMENT

4.1 Overview

There are a number of basic system peripherals in the Rabbit 4000 processor, some of which are covered in later chapters. The peripherals covered in this chapter are the periodic interrupt, the real-time clock, the watchdog timers, the battery-backed onchip-encryption RAM, and some of the miscellaneous output pins and their control and processor registers that provide the processor ID and revision numbers.

The periodic interrupt, when enabled, is generated every 16 clocks of the 32 kHz clock (every 488 μ s, or 2.048 kHz). This interrupt can be used to perform periodic tasks.

The real-time clock (RTC) consists of a 48-bit counter that is clocked by the 32 kHz clock. It is powered by the VBAT pin, and so can be battery-backed. The value in the counter is not affected by reset, and can only be set to zero by writing to the RTC control register. The 48-bit width provides a 272-year span before rollover occurs.

There are two watchdog timers in the Rabbit 4000, both clocked by the 32 kHz clock. The main watchdog timer can be set to time out from 250 ms to 2 seconds, and resets the processor if not reloaded within that time. Its purpose is to restart the processor when it detects that a program gets stuck or disabled.

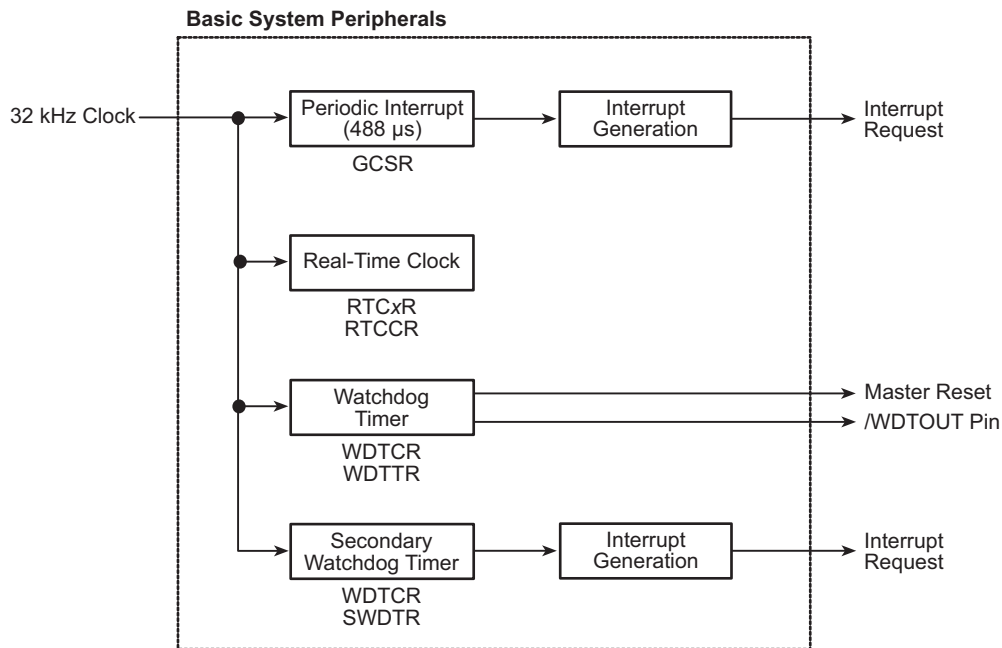
The secondary watchdog timer can time out from 30.5 μ s up to 7.8 ms, and generates a Priority 3 secondary watchdog interrupt when it is not reset within that time. The primary use for the secondary watchdog is to act as a safety net for the periodic interrupt — if the secondary watchdog is reloaded in the periodic interrupt, it will count down to zero if the periodic interrupt stops occurring. In addition, it can be used as a periodic interrupt on its own.

The battery-backed onchip-encryption RAM consists of 32 bytes of memory that are powered by the VBAT pin. Their values are not affected by reset, but are erased if the state of the SMODE pins changes. These 32 bytes are intended for storing sensitive data (such as an encryption key) somewhere other than an external memory device. The “tamper-protection” erase feature prevents loading a program into the onchip-encryption RAM via the programming port and reading out the bytes.

The following other registers are also described in this chapter.

- Global Output Control Register (GOCR), which controls the behavior of the CLK, STATUS, /WDT, and /BUFEN pins
- Global CPU Register (GCPU), which holds the identification number of the processor.
- Global Revision Register (GREV), which hold the revision number of the processor.

4.1.1 Block Diagram



4.1.2 Registers

| Register Name | Mnemonic | I/O Address | R/W | Reset |
|---|---------------|---------------|-----|----------|
| Global Control/Status Register | GCSR | 0x0000 | R/W | 11000000 |
| Real-Time Clock Control Register | RTCCR | 0x0001 | W | 00000000 |
| Real-Time Clock Byte 0 Register | RTC0R | 0x0002 | R/W | xxxxxxxx |
| Real-Time Clock Byte 1 Register | RTC1R | 0x0003 | R | xxxxxxxx |
| Real-Time Clock Byte 2 Register | RTC2R | 0x0004 | R | xxxxxxxx |
| Real-Time Clock Byte 3 Register | RTC3R | 0x0005 | R | xxxxxxxx |
| Real-Time Clock Byte 4 Register | RTC4R | 0x0006 | R | xxxxxxxx |
| Real-Time Clock Byte 5 Register | RTC5R | 0x0007 | R | xxxxxxxx |
| Watchdog Timer Control Register | WDTCR | 0x0008 | W | 00000000 |
| Watchdog Timer Test Register | WDTR | 0x0009 | W | 00000000 |
| Secondary Watchdog Timer Register | SWDTR | 0x000C | W | 11111111 |
| Global Output Control Register | GOCR | 0x000E | R/W | 00000000 |
| Global CPU Configuration Register | GCPU | 0x002E | R | 0xx00010 |
| Global Revision Register | GREV | 0x002F | R | 0xx00000 |
| Battery-Backed Onchip-Encryption RAM Byte 00–1F | VRAM00–VRAM1F | 0x0600–0x061F | R/W | xxxxxxxx |

4.2 Dependencies

4.2.1 I/O Pins

The CLK, STATUS, /WDTOUT, and /BUFEN pins are controlled by GOCR. Each of these pins can be used as general-purpose outputs by driving them high or low:

- the CLK pin can output the peripheral clock, the peripheral clock divided by two, or be driven high or low;
- the STATUS pin can be active low during the first byte of each opcode fetch, active low during an interrupt acknowledge, or driven high or low;
- the /WDTOUT pin can be active low whenever the watchdog timer resets the device or driven low; and
- the /BUFEN pin can be active low during external I/O cycles, active low during data memory cycles, or driven high or low.

The values in the battery-backed onchip-encryption RAM bytes are cleared if the signal on the SMODE pins changes state.

4.2.2 Clocks

The periodic interrupt, real-time clock, watchdog timer, and secondary watchdog timer require the 32 kHz clock.

4.2.3 Interrupts

The periodic interrupt is enabled in GCSR, and will occur every 488 μ s. It is cleared by reading GCSR. It can operate at Priority 1, 2, or 3.

The secondary watchdog interrupt will occur whenever the secondary watchdog is enabled and allowed to count down to zero. It is cleared by restarting the secondary watchdog by writing to WDTCR. The secondary watchdog interrupt always occurs at Priority 3.

4.3 Operation

4.3.1 Periodic Interrupt

The following steps explain how a periodic interrupt is used.

1. Write the vector to the interrupt service routine to the internal interrupt table.
2. Enable the periodic interrupt by writing to GCSR.
3. The interrupt request is cleared by reading from GCSR.

A sample interrupt handler is shown below.

```
periodic_isr::
    push af
    ioi ld a, (GCSR)    ; clear the interrupt request and get status

    ; handle any periodic tasks here

    pop af
    ipres
    ret
```

4.3.2 Real-Time Clock

The real-time clock consists of six 8-bit registers that together comprise a 48-bit value. The real-time clock is not synchronized to the read operation, so the least-significant bit should be read twice and checked for matching values; if the two reads do not match, then the real-time clock may have been updating during the read and should be read again.

Writing to RTC0R latches the current real-time clock value into the RTCxR holding registers, so the following sequence should be used to read the real-time clock.

1. Write any value to RTC0R and then read back a value from RTC0R.
2. Write a value to RTC0R again, and again read back a value from RTC0R.
3. If the two values do not match, repeat Step 2 until the last two readings are identical.
4. At this point, registers RTC1R through RTC6R can also be read and used.

Note that the periodic interrupt and the real-time clock are clocked by the same edge of the 32 kHz clock; if read from the periodic interrupt, the count is guaranteed to be stable and only needs to be read once (assuming it occurs within one clock of the 32 kHz clock).

The real-time clock can be reset by writing the sequence 0x40 – 0x80 to RTCCR. It can be reset and left in the byte increment mode by writing 0x40 – 0xC0 to RTCCR and then writing bytes repeatedly to RTCCR to increment the appropriate bytes of the real-time clock. The byte increment mode is disabled by writing 0x00 to RTCCR.

4.3.3 Watchdog Timer

The watchdog timer is enabled on reset with a 2-second timeout. Unless specific data are written to WDTCR before that time expires, the processor will be reset. The watchdog timer can be disabled by writing a sequence of two bytes to WDTTR as described in the register description.

Table 4-1. Watchdog Timer Settings

| WDTCR Value | Effect |
|-------------|--|
| 0x5A | Restart watchdog timer with 2-second timeout. |
| 0x57 | Restart watchdog timer with 1-second timeout. |
| 0x59 | Restart watchdog timer with 500-millisecond timeout. |
| 0x53 | Restart watchdog timer with 250-millisecond timeout. |
| 0x5F | Restart the secondary watchdog timer. |

The watchdog timer also contains a special test mode that speeds up the timeout period by clocking it with the peripheral clock instead of the 32 kHz clock. This mode can be enabled by writing to WDTTR.

4.3.4 Secondary Watchdog Timer

The secondary watchdog timer is disabled on reset, unless the reset occurs because the primary watchdog timer times out while the secondary watchdog timer is enabled. The BIOS provided by Rabbit Semiconductor in Dynamic C avoids this bug by disabling the secondary watchdog on startup or reset by writing 0x5F to WDTCR. The following steps explain how to use the secondary watchdog timer.

1. Write the vector to the interrupt service routine to the internal interrupt table.
2. Write the desired timeout period to SWDTR. This also enables the secondary watchdog timer.
3. Restart the secondary watchdog timer by either writing the timeout period to SWDTR or writing 0x5F to WDTCR.

If the secondary watchdog timer counts down to zero, a Priority 3 secondary watchdog interrupt will occur. This interrupt request is cleared by writing a new timeout value to SWDTR. A sample interrupt handler is shown below.

```
secwd_isr::
    push af

    ; determine why the interrupt occurred and take appropriate action

    ld a, 0x40          ; timeout period of 0x40/32kHz = 1.95ms
    ioi ld (SWDTR), a  ; clear the interrupt request

    pop af
    ipres
    ret
```

4.4 Register Descriptions

| Global Control/Status Register (GCSR) (Address = 0x0000) | | |
|--|-------|--|
| Bit(s) | Value | Description |
| 7:6 (rd-only) | 00 | No reset or watchdog timer timeout since the last read. |
| | 01 | The watchdog timer timed out. These bits are cleared by a read of this register. |
| | 10 | This bit combination is not possible. |
| | 11 | Reset occurred. These bits are cleared by a read of this register. |
| 5 | 0 | No effect on the periodic interrupt. This bit will always be read as zero. |
| | 1 | Force a periodic interrupt to be pending. |
| 4:2 | 000 | Processor clock from the main clock, divided by eight. Peripheral clock from the main clock, divided by eight. |
| | 001 | Processor clock from the main clock, divided by eight. Peripheral clock from the main clock. |
| | 010 | Processor clock from the main clock. Peripheral clock from the main clock. |
| | 011 | Processor clock from the main clock, divided by two. Peripheral clock from the main clock, divided by two. |
| | 100 | Processor clock from the 32 kHz clock, optionally divided via GPSCR. Peripheral clock from the 32 kHz clock, optionally divided via GPSCR. |
| | 101 | Processor clock from the 32 kHz clock, optionally divided via GPSCR. Peripheral clock from the 32 kHz clock, optionally divided via GPSCR. The main clock is disabled. |
| | 110 | Processor clock from the main clock, divided by four. Peripheral clock from the main clock, divided by four. |
| | 111 | Processor clock from the main clock, divided by six. Peripheral clock from the main clock, divided by six. |
| 1:0 | 00 | Periodic interrupts are disabled. |
| | 01 | Periodic interrupts use Interrupt Priority 1. |
| | 10 | Periodic interrupts use Interrupt Priority 2. |
| | 11 | Periodic interrupts use Interrupt Priority 3. |

| Real-Time Clock Control Register (RTCCR) (Address = 0x0001) | | |
|--|--------------|--|
| Bit(s) | Value | Description |
| 7:0 | 0x00 | No effect on the real-time clock counter, or disable the byte increment function, or cancel the real-time clock reset command. |
| | 0x40 | Arm the real-time clock for reset or byte increment. This command must be written prior to either the real-time clock reset command or the first byte increment write. |
| | 0x80 | Reset all six bytes of the real-time clock counter to 0x00. The reset must be preceded by writing 0x40 to arm the reset function. |
| | 0xC0 | Reset all six bytes of the real-time clock counter to 0x00, and remain in byte-increment mode in preparation for setting the time. |
| 7:6 | 01 | This bit combination must be used with every byte-increment write. |
| 5:0 | 0 | No effect on the real-time clock counter. |
| | 1 | Increment the corresponding byte of the real-time clock counter. |

| Real-Time Clock x Register (RTC0R) (Address = 0x0002) (RTC1R) (Address = 0x0003) (RTC2R) (Address = 0x0004) (RTC3R) (Address = 0x0005) (RTC4R) (Address = 0x0006) (RTC5R) (Address = 0x0007) | | |
|---|--------------|---|
| Bit(s) | Value | Description |
| 7:0 | Read | The current value of the 48-bit real-time clock counter is returned. |
| | Write | Writing to the RTC0R transfers the current count of the real-time clock to a holding register while the real-time clock continues counting. |

| Watchdog Timer Control Register (WDTCR) (Address = 0x0008) | | |
|---|--------------|--|
| Bit(s) | Value | Description |
| 7:0 | 0x5A | Restart the watchdog timer with a 2-second timeout period. |
| | 0x57 | Restart the watchdog timer with a 1-second timeout period. |
| | 0x59 | Restart the watchdog timer with a 500 ms timeout period. |
| | 0x53 | Restart the watchdog timer with a 250 ms timeout period. |
| | 0x5F | Restart the secondary watchdog timer. |
| | other | No effect on watchdog timer or secondary watchdog timer. |

| Watchdog Timer Test Register (WDTTR) (Address = 0x0009) | | |
|--|--------------|--|
| Bit(s) | Value | Description |
| 7:0 | 0x51 | Clock the least significant byte of the watchdog timer from the peripheral clock. |
| | 0x52 | Clock the most significant byte of the watchdog timer from the peripheral clock. |
| | 0x53 | Clock both bytes of the watchdog timer, in parallel, from the peripheral clock. |
| | 0x54 | Disable the watchdog timer. This value, by itself, does not disable the watchdog timer. Only a sequence of two writes, where the first write is 0x51, 0x52, or 0x53, followed by a write of 0x54, actually disables the watchdog timer. The watchdog timer will be re-enabled by any other write to this register. |
| | other | Normal clocking (32 kHz clock) for the watchdog timer. |

| Secondary Watchdog Timer Register (SWDTR) (Address = 0x000C) | | |
|---|--------------|---|
| Bit(s) | Value | Description |
| 7:0 | | The time constant for the secondary watchdog timer is stored. This time constant will take effect the next time that the secondary watchdog counter counts down to zero. The timer counts modulo $n + 1$, where n is the programmed time constant. The secondary watchdog timer can be disabled by writing the sequence 0x5A – 0x52 – 0x44 to this register. |

| Global Output Control Register (GOCR) (Address = 0x000E) | | |
|---|--------------|---|
| Bit(s) | Value | Description |
| 7:6 | 00 | CLK pin is driven with peripheral clock. |
| | 01 | CLK pin is driven with peripheral clock divided by 2. |
| | 10 | CLK pin is low. |
| | 11 | CLK pin is high. |
| 5:4 | 00 | STATUS pin is active (low) during a first opcode byte fetch. |
| | 01 | STATUS pin is active (low) during an interrupt acknowledge. |
| | 10 | STATUS pin is low. |
| | 11 | STATUS pin is high. |
| 3:2 | 00 | /WDTOUT pin functions normally. |
| | 01 | Enable /WDTOUT for test mode. Rabbit Semiconductor internal use only. |
| | 10 | /WDTOUT pin is low (1 cycle min, 2 cycles max, of 32 kHz). |
| | 11 | This bit combination is reserved and should not be used. |
| 1:0 | 00 | /BUFEN pin is active (low) during external I/O cycles. |
| | 01 | /BUFEN pin is active (low) during data memory accesses. |
| | 10 | /BUFEN pin is low. |
| | 11 | /BUFEN pin is high. |

| Global CPU Register (GCPU) (Address = 0x002E) | | |
|--|--------------|--|
| Bit(s) | Value | Description |
| 7 (read only) | 0 | Program fetch as a function of the SMODE pins. |
| | 1 | Ignore the SMODE pins program fetch function. |
| 6:5 | read | These bits report the state of the SMODE pins. |
| 4:0 | 00010 | CPU identifier for this version of the chip. |

| Global Revision Register (GREV) (Address = 0x002F) | | |
|---|--------------|---|
| Bit(s) | Value | Description |
| 7 (read only) | 0 | Program fetch as a function of the SMODE pins. |
| | 1 | Ignore the SMODE pins program fetch function. |
| 6:5 | read | These bits report the state of the SMODE pins. |
| 4:0 | 00000 | Revision identifier for this version of the chip. |

| Battery-Backed Onchip-Encryption RAM (VRAM00) through (VRAM1F) (Address = 0x0600) through (Address = 0x061F) | | |
|--|-------|--|
| Bit(s) | Value | Description |
| 7:0 | | General-purpose RAM locations. Cleared by Intrusion Detect conditions. |

5. MEMORY MANAGEMENT

5.1 Overview

The Rabbit 4000 supports both 8-bit and 16-bit external flash and SRAM devices; three chip selects and two read/write-enable strobes allow up to six external devices to be attached at once. The 8-bit mode allows 0, 1, 2, or 4 wait states to be specified for each device, and the 16-bit mode allows 0 to 9 wait states depending on the settings. Both 8-bit and 16-bit page-mode devices are also supported.

The Rabbit 4000's physical memory space contains four consecutive banks, each of which can be mapped to an individual chip-select/enable strobe pair. The banks can be set for equal sizes ranging from 128KB up to 4MB, providing a total physical memory range from 512KB up to 16MB. Figure 5-1 shows a sample configuration.

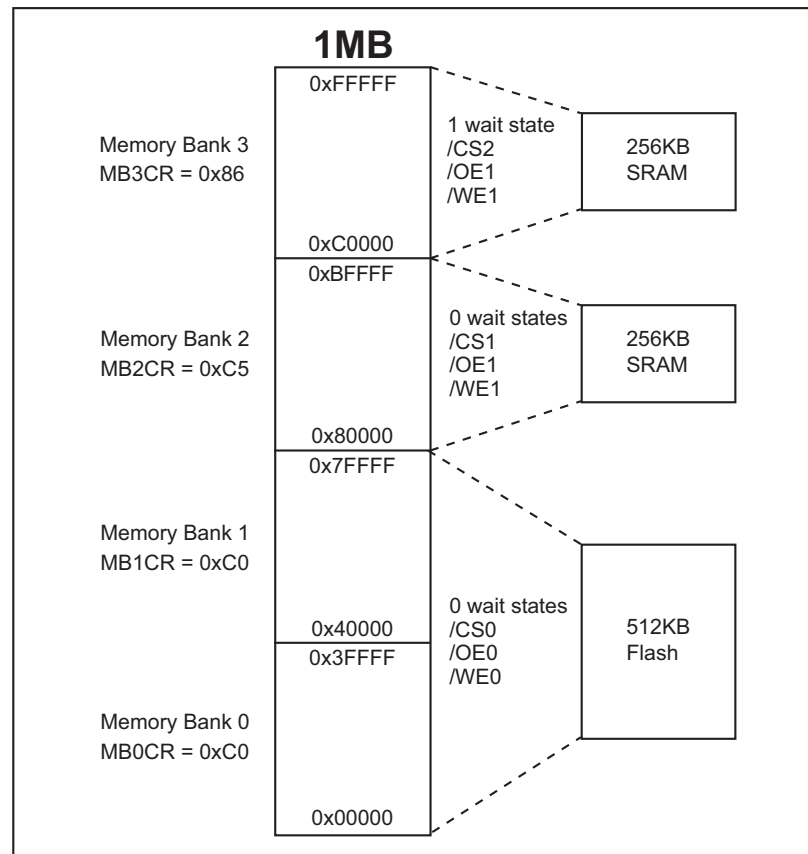


Figure 5-1. Mapping Rabbit 4000 Physical Memory Space

Either of the two most significant address bits (which are used to select the quadrant) can be inverted, providing the ability to bank-switch other pages from a larger memory device into the same memory bank.

Code is executed in the 64KB logical memory space, which is divided into four segments: root, data, stack, and XMEM. The root segment is mapped directly to physical address 0x000000, while the data and stack segments can be mapped to 4KB boundaries anywhere in the physical space. The boundaries between the root and data segments and the data and stack segments can be adjusted in 4KB blocks as well.

The XMEM segment is a fixed 8KB and points to a physical memory address specified in the XPC register. It is possible to run code in the XMEM window, providing an easy means of storing and executing code beyond the 64KB logical memory space. Special call and return instructions to physical addresses are provided that automatically update the XPC register as necessary.

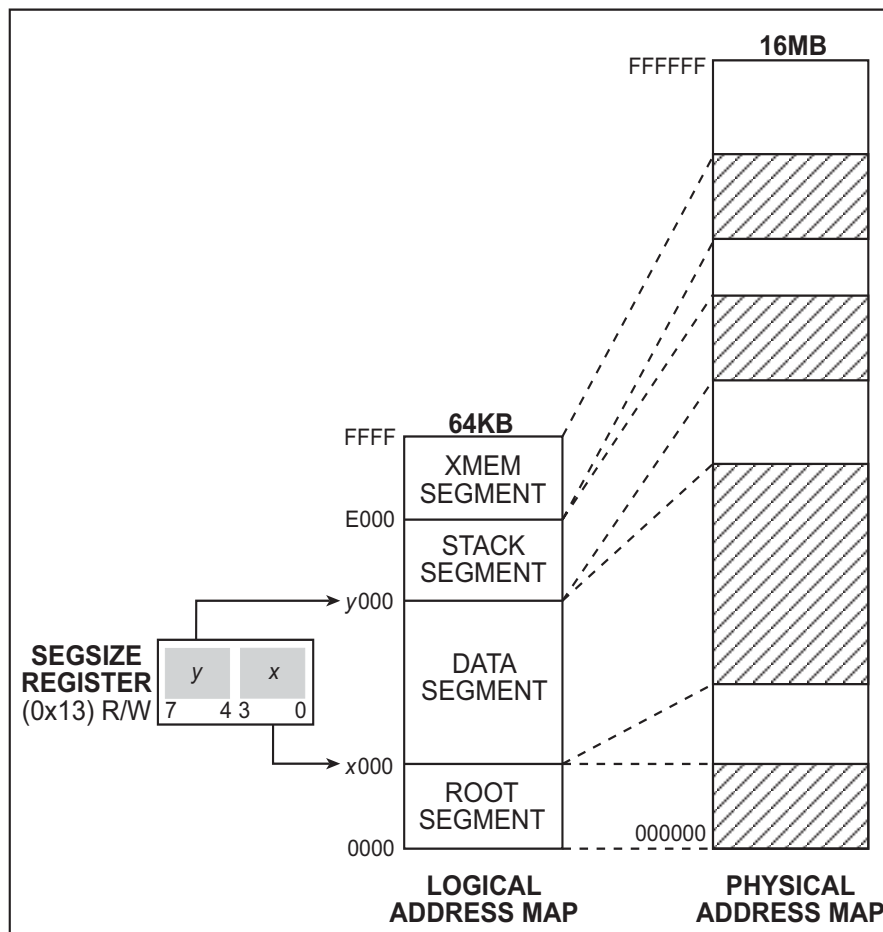


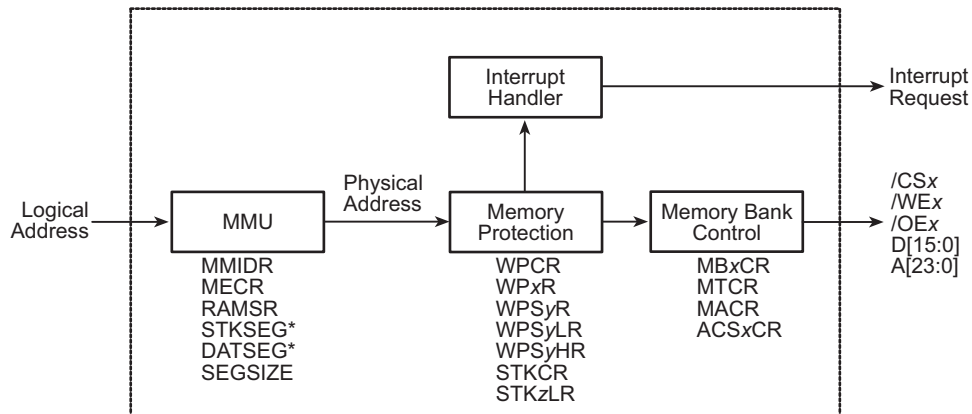
Figure 5-2. Logical and Physical Memory Mapping

The Rabbit 2000 and 3000 had numerous instructions for reading and writing data to logical addresses, but only limited support for reading and writing data to a physical memory address. This has changed for the Rabbit 4000—a wide range of instructions has been provided to read and write to physical addresses. It is possible to use the same instructions to write to logical addresses as well.

The 64KB logical memory space limitation can also be expanded by using the separate instruction and data space mode. When this mode is enabled, address bit A16 is inverted for all data accesses in the root and/or data segments, while address bit A19 is inverted for all data accesses in the root and/or data segments *before* bank selection (physical device) occurs. These two features allow both code and data to access separate 64KB logical spaces instead of sharing a single space.

It is possible to protect memory in the Rabbit 4000 at three different levels: each of the memory banks can be made read-only, physical memory can be write-protected in 64KB blocks, and two of those 64KB blocks can be protected with a granularity of 4KB. A Priority 3 interrupt will occur if a write is attempted in one of the protected 64KB or 4KB blocks. In addition, it is possible to place limits around the code execution stack and generate an interrupt if a stack-related write occurs within 16 bytes of those limits.

5.1.1 Block Diagram



5.1.2 Registers

| Register Name | Mnemonic | I/O Address | R/W | Reset |
|---------------------------------------|----------|-------------|-----|----------|
| MMU Instruction/Data Register | MMIDR | 0x0010 | R/W | 00000000 |
| Stack Segment Register | STKSEG | 0x0011 | R/W | 00000000 |
| Stack Segment LSB Register | STKSEGL | 0x001A | R/W | 00000000 |
| Stack Segment MSB Register | STKSEGH | 0x001B | R/W | 00000000 |
| Data Segment Register | DATSEG | 0x0012 | R/W | 00000000 |
| Data Segment LSB Register | DATSEGL | 0x001E | R/W | 00000000 |
| Data Segment MSB Register | DATSEGH | 0x001F | R/W | 00000000 |
| Segment Size Register | SEGSIZE | 0x0013 | R/W | 11111111 |
| Memory Bank 0 Control Register | MB0CR | 0x0014 | R/W | 00001000 |
| Memory Bank 1 Control Register | MB1CR | 0x0015 | R/W | xxxxxxxx |
| Memory Bank 2 Control Register | MB2CR | 0x0016 | R/W | xxxxxxxx |
| Memory Bank 3 Control Register | MB3CR | 0x0017 | R/W | xxxxxxxx |
| MMU Expanded Code Register | MECR | 0x0018 | R/W | 00000000 |
| Memory Timing Control Register | MTCR | 0x0019 | R/W | 00000000 |
| Memory Alternate Control Register | MACR | 0x001D | R/W | 00000000 |
| Advanced /CS0 Control Register | ACS0CR | 0x0410 | R/W | 00000000 |
| Advanced /CS1 Control Register | ACS1CR | 0x0411 | R/W | 00000000 |
| RAM Segment Register | RAMSR | 0x0448 | R/W | 00000000 |
| Write-Protect Control Register | WPCR | 0x0440 | R/W | 00000000 |
| Write-Protect x Register | WPxR | 0x460+x | W | 00000000 |
| Write-Protect Segment A Register | WPSAR | 0x0480 | W | 00000000 |
| Write-Protect Segment A Low Register | WPSALR | 0x0481 | W | 00000000 |
| Write-Protect Segment A High Register | WPSAHR | 0x0482 | W | 00000000 |
| Write-Protect Segment B Register | WPSBR | 0x0484 | W | 00000000 |
| Write-Protect Segment B Low Register | WPSBLR | 0x0485 | W | 00000000 |
| Write-Protect Segment B High Register | WPSBHR | 0x0486 | W | 00000000 |
| Stack Limit Control Register | STKCR | 0x0444 | R/W | 00000000 |
| Stack Low Limit Register | STKLLR | 0x0445 | W | xxxxxxxx |
| Stack High Limit Register | STKHLR | 0x0446 | W | xxxxxxxx |

5.2 Dependencies

5.2.1 I/O Pins

There are three chip select pins: /CS0, /CS1, and /CS2; two read strobes, /OE0 and /OE1; and two write strobes, /WE0 and /WE1.

There are eight dedicated data bus pins, D0 through D7. If the 16-bit mode is enabled, then PD0–PD7 automatically act as the upper byte of the data bus, D8 through D15.

There are 20 dedicated address pins, A0 through A19. Up to four more address pins can be enabled on PE0–PE3, representing A20 through A23.

Pin PE4 can be enabled as /A0 to allow byte reads and writes in 16-bit SRAM devices.

5.2.2 Clocks

All memory operations are clocked by the processor clock.

5.2.3 Other Registers

| Register | Function |
|-------------|-------------------------|
| PEFR, PEALR | Enable A20-A23 and /A0. |

5.2.4 Interrupts

When a write is attempted to a write-protected 64KB or 4KB block, a write-protection violation interrupt is generated. The interrupt request is cleared when it is handled. The write-protection violation interrupt vector is in the IIR at offset 0x090. It is always set to Priority 3.

When a stack-related write is attempted to a region outside that set by the stack limit registers, a stack limit violation occurs. The interrupt request is cleared when it is handled. The stack limit violation interrupt vector is in the IIR at offset 0x1B0. It is always set to Priority 3.

5.3 Operation

5.3.1 Memory Management Unit (MMU)

Code execution takes place in the 64KB logical memory space, which is divided into four segments: root, data, stack, and extended (XMEM). The root segment is always mapped starting at physical address 0x000000, but the other segments can be remapped to start at any physical 4KB block boundary.

The data and stack segment mappings are set by writing to the appropriate register, as shown in Table 5-1. The DATASEG and STACKSEG registers provide backwards compatibility to the Rabbit 2000 and 3000 processors; these registers map directly to DATASEGL and STACKSEGL but the corresponding uppermost four bits are set to zero.

Table 5-1. Memory Management Registers

| Register | Segment | Size | Comments |
|-----------|---------|---------|---|
| DATASEG | Data | 8 bits | Maps to DATASEGL; DATASEGH set to 0x00 |
| DATASEGL | Data | 8 bits | — |
| DATASEGH | Data | 4 bits | — |
| STACKSEG | Stack | 8 bits | Maps to STACKSEGL; STACKSEGH set to 0x00 |
| STACKSEGL | Stack | 8 bits | — |
| STACKSEGH | Stack | 4 bits | — |
| XPC | XMEM | 8 bits | Loaded via instructions LD XPC, A and LD A, XPC |
| LXPC | XMEM | 12 bits | Loaded via instructions: LD LXPC, HL and LD HL, LXPC |

Each of these registers provides a 4KB offset that is added to the logical address to provide a physical address as shown in Figure 5-3.

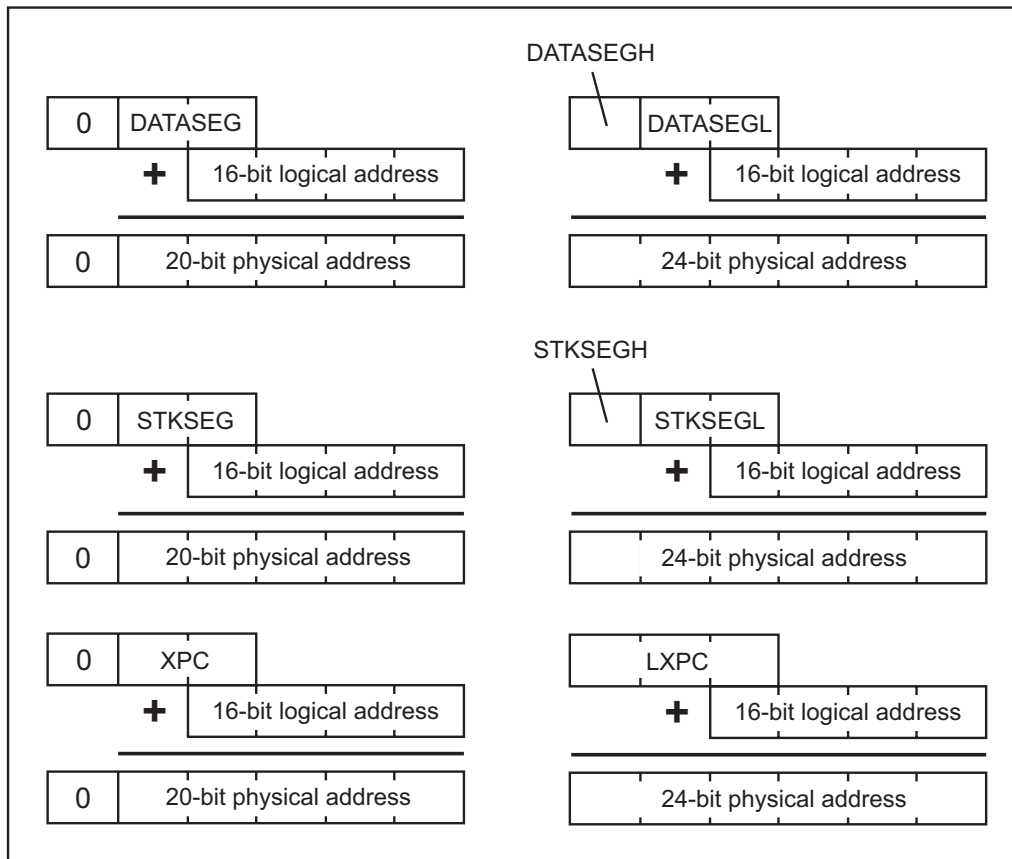


Figure 5-3. MMU Operation

5.3.2 8-bit Operation

On startup Memory Bank 0 is enabled to use /CS0, /OE0, and /WE0 with four wait states and write protection enabled; it is expected that an external flash device containing startup code be attached to those strobes. The other memory banks come up undefined and should be set via the appropriate MBxCR register to a valid setting before use.

The size of the memory banks can be defined in the MECR register. The default size is 256KB (the bank selection looks at address bits 18 and 19), but this value can be adjusted down to 128KB or up to 4MB per bank.

The two address bits used to select the bank can be inverted in MBxCR, which enables mapping different sections of a memory device larger than the current memory bank into memory. An example of this feature is shown in Figure 5-4.

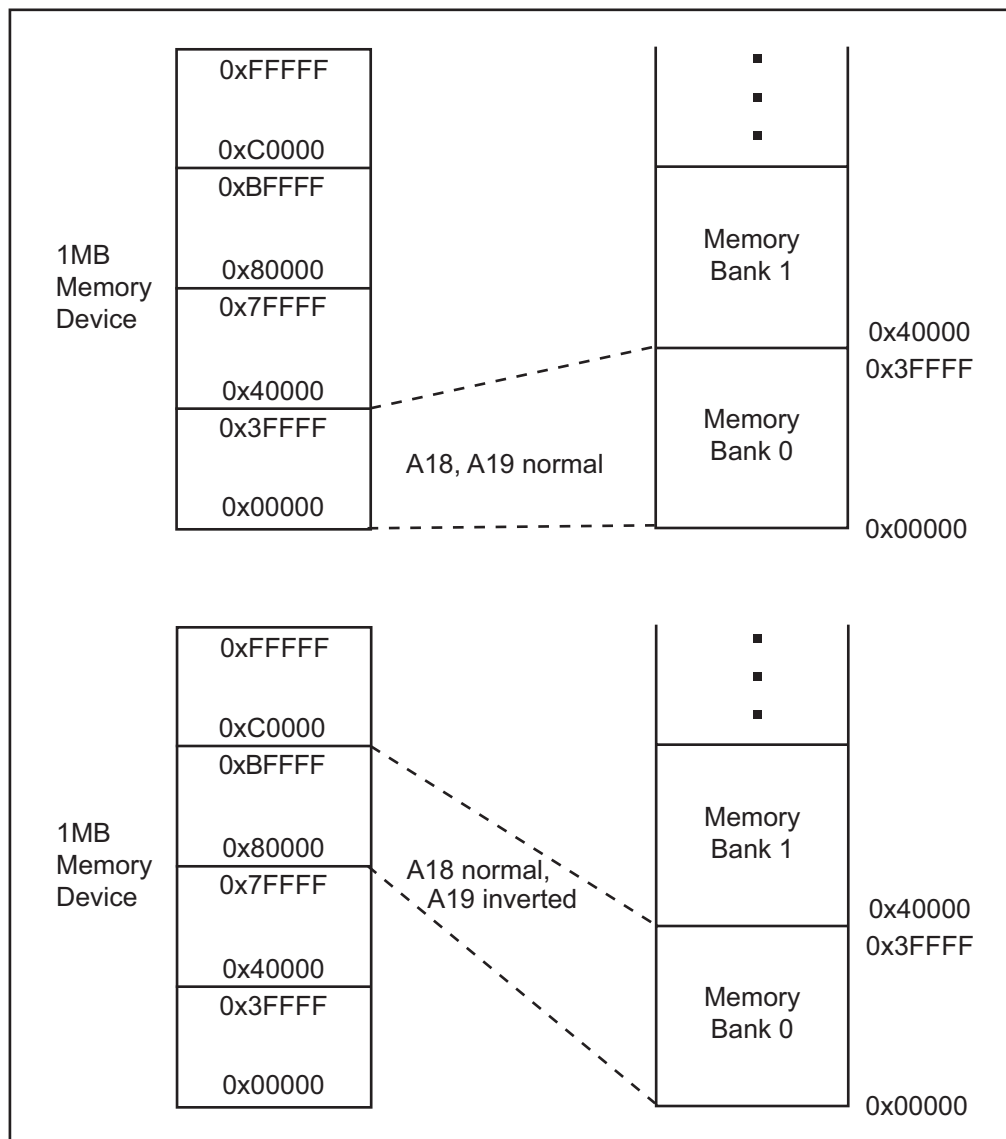


Figure 5-4. Mapping Different Sections of a Memory Device Larger Than the Current Memory Bank

It is possible to extend the timing of the /OE and/or /WE strobes by one half of a clock. This provides slightly longer strobes for slower memories; see the timing diagrams in Chapter 28. These options are available in MTCR.

It is possible to force /CS1 to be always active in MMIDR; enabling this will cause conflicts only if a device shares a /OE or /WE strobe with another device. This option allows faster access to particular memory devices.

5.3.3 16-bit and Page Modes

The Rabbit 4000 supports two additional memory modes to access both 16-bit and page-mode devices on /CS0 and /CS1, and can be enabled by writing to MACR. The first mode supports a 16-bit memory device in addition to the normal 8-bit memory devices. With this option, the memory device connected to /CS0 or /CS1 (or both) is assumed to have a 16-bit data path. Parallel Port D is used for the high byte of the data, and is configured automatically for this operation when a 16-bit mode is enabled, overriding any other Parallel Port D function.

Table 5-2. Advanced Memory Modes

| Mode | MACR Bit Setting | Prefetch Queue? | Word Writes? | Byte Writes? | Wait State Register | Primary Use |
|-----------------|------------------|-----------------|--------------|--------------|---------------------|----------------------|
| 8-bit | 00x | No | N/A | Yes | MBxCR | Any 8-bit device |
| Basic 16-bit | 10x | No | Yes | No | ACSxCR | Data in 16-bit SRAM |
| Advanced 16-bit | 01x | Yes | Yes | No | MBxCR | Code in 16-bit flash |
| | 11x | Yes | Yes | Yes | ACSxCR | Code in 16-bit SRAM |

Only instruction fetches from the 16-bit memory space actually read 16 bits. All data reads from the 16-bit memory space are eight bits, with the proper byte-lane swapping being done internally by the processor. In addition, because the processor can only handle a byte-wide stream of instructions, enabling the advanced 16-bit mode also enables an instruction prefetch queue. This queue is three bytes deep (in addition to the instruction register), but the prefetch mechanism only tries to keep it full with one byte. The other two bytes are for those cases where a prefetch was started in anticipation of the queue being emptied.

The prefetch mechanism tracks the instructions being fetched and executed to minimize bus conflicts between the prefetch mechanism and other bus transactions. These conflicts can occur if the execution (two clocks per byte minimum) is faster than the instruction prefetch (three clocks per two bytes minimum). The prefetch mechanism also attempts to minimize the impact of program branches. If a jump or subroutine call is decoded and the target address is being fetched the prefetch mechanism automatically stops prefetching once all of the target address is in the queue, in anticipation of taking the program branch

One special case of the prefetch mechanism is the block instructions. Because these instructions are interruptible and may rewind the PC, the prefetch mechanism will always empty the queue and restart the prefetching when leaving the block sequence while these instructions are being used.

The 16-bit memory device connected to /CS0 or /CS1 may or may not support byte writes, so there is an option to select between these two cases. Flash devices with a 16-bit bus do not support byte writes, so any byte writes or unaligned word writes to the 16-bit memory space will be suppressed (i.e., the /WE will not be asserted) with this option. Any aligned word writes are recognized internally and are combined into just one write transaction on the external bus. Internally the two writes still occur. The RAM option for the 16-bit bus does not inhibit byte writes or unaligned word writes and replicates the byte data on both halves of the data bus in these cases. In this mode the A0 and /A0 signals must be used by the memory to enable the individual bytes.

Table 5-3. A0 and /A0 Signals for Various Transaction Types

| Transaction Type | A0 | /A0 |
|-----------------------------------|------|------|
| Word Read (prefetch only) | Low | Low |
| Word Write | Low | Low |
| Byte Read or Write — Even Address | Low | High |
| Byte Read or Write — Odd Address | High | Low |

All of the power-saving modes in Chapter 26 can still be used with the 16-bit mode. Because it is anticipated that the 16-bit memory may be slower than the normal 8-bit memories, separate wait-state controls for the 16-bit bus are provided in separate registers (ACS0CR and ACS1CR).

The second advanced bus mode is the Page Mode. This mode also can be enabled for either /CS0 or /CS1, and can be used with either 8-bit or 16-bit memories connected to these chip selects. Page-mode memories provide for a faster access time if the requested data is in the same page as the previous data. In the Rabbit 4000 (and most memory devices) a page is 16 bytes. Thus, if an address is identical to the previous address except in the lower four bits, the access time is assumed to be faster. These wait-state options are also controlled in the ACS0CR and ACS1CR.

In Page Mode the chip select and /OE remain active from one page access to the next, and only the four least-significant bits of the address change to request the new data. This obviously interferes with a number of the power-saving modes and will take precedence over them for /CS0 or /CS1 accesses, as appropriate. The power-saving modes will still apply to the other chip select and output enable signals. The logic recognizes which /OE is being used with each chip select in the Page Mode.

As mentioned previously, the ACS0CR and ACS1CR registers each contain three settings to control the generation of wait states in the advanced bus modes. These settings are used in place of the wait-state setting in MBxCR when an advanced bus mode is enabled. When the 16-bit bus is enabled, from one to seven automatic wait states for memory read bus cycles can be enabled. This setting is also used for the first access when the Page Mode is enabled; a second setting selects the number of wait states for all subsequent reads in the

Page Mode, allowing from zero to three automatic wait states for the same-page accesses in the Page Mode. The third setting selects from five to nine automatic wait states for memory-write bus cycles. The choices available for the advanced bus wait states are sufficient to allow interfacing to a variety of standard memories for any Rabbit 4000 speed grade.

When a 16-bit memory is connected to /CS0, the first few instructions must program the device to operate in 16-bit mode. This code is shown below. This code should be the first thing executed by your device. Because the processor is fetching bytes from a 16-bit memory device that is not connected to A0, only one-byte instructions can be used, and they must occur in pairs.

```

ORG      0000h
XOR      A          ; a <= 00000000
XOR      A
LD       H, A      ; h <= 00000000
LD       H, A
SCF
SCF
RLA          ; a <= 00000001
RLA          ; a <= 00000010
LD       B, A      ; b <= 00000010
LD       B, A
SCF
SCF
ADC      A, B      ; a <= 00000101
ADC      A, B      ; a <= 00000111
ADD      A, A      ; a <= 00001110
ADD      A, A      ; a <= 00011100
SCF
SCF
ADC      A, H      ; a <= 00011101
ADC      A, H
LD       L, A      ; l <= 00011101
LD       L, A
IOI          ; two IOIs same as one
IOI
LD       (HL), B   ; MACR <= 00000010
LD       (HL), B   ; dummy memory write (no /WE)
NOP          ; required delay to start
NOP          ; up the 16-bit bus

```

5.3.4 Separate Instruction and Data Space

To make better use of the 64KB of logical space, an option is provided to map code and data accesses in the same address space to separate devices. This is accomplished by enabling the inversion of A16 and the most-significant bit of the bank select bits for accesses in the root and data segments. Careful use of these features allows both code and data to separately use up to 64KB of logical memory.

The RAM segment register (RAMSR) provides a shortcut for updating code by accessing it as data. It provides a “window” that uses the instruction address decoding when read or written as data.

The *Rabbit 4000 Designer’s Handbook* provides further details on the use of the separate instruction and data space feature.

5.3.5 Memory Protection

Memory blocks may be protected at three separate granularities, as shown in Table 5-4. Writes can be prevented to any memory bank by writing to MBxCR. Writes can be prevented and trapped at a resolution of 64KB by enabling protection for that block in the appropriate WPxR register. For further control, two of those 64KB blocks can be further subdivided into 4KB blocks by selecting them as the write protect segments A or B.

When a write is attempted to a block protected in WPxR, WPSxLR, or WPSxHR, a Priority 3 write-protect interrupt occurs. This feature is automatically enabled by writing to the block protection registers; to disable it, set all the write-protect block registers to zero.

Table 5-4. Memory Protection Options

| Method | Block Size | Registers Used |
|---------------------------|-------------|-----------------------|
| Memory Bank | 128KB – 4MB | MBxCR, MECR |
| Write-Protect Blocks | 64KB | WPCR, WPxR |
| Write Protect Segment A/B | 4KB | WPSxR, WPSxLR, WPSxHR |

5.3.6 Stack Protection

The Rabbit 4000 provides stack overflow and underflow protection. Low and high logical address limits can be set in STKLLR and STKHLR; a Priority 3 stack-violation interrupt occurs when a stack-based write occurs within the 16 bytes below the upper limit or within the 16 bytes above the lower limit. Note that the writes will still occur even if they are within the 16 bytes surrounding the limits, but the interrupt can serve as a warning to the application that the stack is in danger of being over or underrun.

The stack checking can be enabled or disabled by writing to STKCR.

When stack protection is enabled and a DMA transfer is occurring, the stack protection interrupt will occur if the lower 16 bits of a DMA transfer’s *physical* write address match the 16 bits of the stack protection’s *logical* address limits.

5.4 Register Descriptions

| MMU Instruction/Data Register | | (MMIDR) | (Address = 0x0010) |
|-------------------------------|-------|---|--------------------|
| Bit(s) | Value | Description | |
| 7 | 0 | Internal I/O addresses are decoded using only the lower eight bits of the internal I/O address bus. This restricts internal I/O addresses to the range 0x0000–0x00FF. | |
| | 1 | Internal I/O addresses are decoded using all 15 bits of the address internal I/O address bus. This option must be selected to access internal I/O addresses of 0x0100 and higher. | |
| 6 | | This bit is reserved and must be written with zero. | |
| 5 | 0 | Enable A16 and bank select address MSB inversion independent of instruction/data. | |
| | 1 | Enable A16 and bank select address MSB inversion for data accesses only. This enables the instruction/data split. | |
| 4 | 0 | Normal /CS1 operation. | |
| | 1 | Force /CS1 always active. This will not cause any conflicts as long as the memory using /CS1 does not also share an output enable or write enable with another memory. | |
| 3 | 0 | Normal operation. | |
| | 1 | For a data segment access, invert bank select address MSB before MBxCR decision. | |
| 2 | 0 | Normal operation. | |
| | 1 | For a data segment access: invert A16 | |
| 1 | 0 | Normal operation. | |
| | 1 | For a root segment access, invert bank select address MSB before MBxCR decision. | |
| 0 | 0 | Normal operation. | |
| | 1 | For a root segment access: invert A16 | |

| Stack Segment Register | | (STKSEG) | (Address = 0x0011) |
|------------------------|-------|--|--------------------|
| Bit(s) | Value | Description | |
| 7:0 | Read | The current contents of this register are reported. | |
| | Write | Eight LSBs (MSBs are set to zero by write) of physical address offset to use if $SEGSIZ[7:4] \leq Addr[15:12] < 0xE$ | |

| Stack Segment Low Register (STKSEGL) (Address = 0x001A) | | |
|--|--------------|--|
| Bit(s) | Value | Description |
| 7:0 | Read | The current contents of this register are reported. |
| | Write | Eight LSBs of physical address offset to use if $SEGSIZ[7:4] \leq Addr[15:12] < 0xE$ |

| Stack Segment High Register (STKSEGH) (Address = 0x001B) | | |
|---|--------------|---|
| Bit(s) | Value | Description |
| 7:4 | | These bits are reserved and should always be written as zero. These bits always return zeros when read. |
| 3:0 | Read | The current contents of this register are reported. |
| | Write | Four MSBs of physical address offset to use if $SEGSIZ[7:4] \leq Addr[15:12] < 0xE$ |

| Data Segment Register (DATSEG) (Address = 0x0012) | | |
|--|--------------|---|
| Bit(s) | Value | Description |
| 7:0 | Read | The current contents of this register are reported. |
| | Write | Eight LSBs (MSBs are set to zero by write) of physical address offset to use if: $SEGSIZ[3:0] \leq Addr[15:12] < SEGSIZ[7:4]$ |

| Data Segment Low Register (DATSEGL) (Address = 0x001E) | | |
|---|--------------|---|
| Bit(s) | Value | Description |
| 7:0 | | Eight LSBs of physical address offset to use if: $SEGSIZ[3:0] \leq Addr[15:12] < SEGSIZ[7:4]$ |

| Data Segment High Register (DATSEGH) (Address = 0x001F) | | |
|--|--------------|---|
| Bit(s) | Value | Description |
| 7:4 | | These bits are reserved and should always be written as zero. These bits always return zeros when read. |
| 3:0 | | Four MSBs of physical address offset to use if: $SEGSIZ[3:0] \leq Addr[15:12] < SEGSIZ[7:4]$ |

| Segment Size Register (SEGSIZ) (Address = 0x0013) | | |
|--|--------------|---|
| Bit(s) | Value | Description |
| 7:0 | Read | The current contents of this register are reported. |
| 7:4 | Write | Boundary value for switching from DATSEG to STKSEG for translation. |
| 3:0 | Write | Boundary value for switching from none to DATSEG for translation. |

| Memory Bank x Control Register (MB0CR) (Address = 0x0014) | | |
|--|--------------|--|
| (MB1CR) (Address = 0x0015) | | |
| (MB2CR) (Address = 0x0016) | | |
| (MB3CR) (Address = 0x0017) | | |
| Bit(s) | Value | Description |
| 7:6 | 00 | Four (five for writes) wait states for accesses in this bank. |
| | 01 | Two (three for writes) wait states for accesses in this bank. |
| | 10 | One (two for writes) wait states for accesses in this bank. |
| | 11 | Zero (one for writes) wait states for accesses in this bank. |
| 5 | 0 | Pass bank select address MSB for accesses in this bank. |
| | 1 | Invert bank select address MSB for accesses in this bank. |
| 4 | 0 | Pass bank select address LSB for accesses in this bank. |
| | 1 | Invert bank select address LSB for accesses in this bank. |
| 3:2 | 00 | /OE0 and /WE0 are active for accesses in this bank. |
| | 01 | /OE1 and /WE1 are active for accesses in this bank. |
| | 10 | /OE0 only is active for accesses in this bank (i.e., read-only). Transactions are normal in every other way. |
| | 11 | /OE1 only is active for accesses in this bank (i.e., read-only). Transactions are normal in every other way. |
| 1:0 | 00 | /CS0 is active for accesses in this bank. |
| | 01 | /CS1 is active for accesses in this bank. |
| | 10 | /CS2 is active for accesses in this bank. |
| | 11 | This bit combination is reserved and should not be used. |

| MMU Expanded Code Register (MECR) | | |
|--|--------------|---|
| (Address = 0x0018) | | |
| Bit(s) | Value | Description |
| 7:5 | 000 | Bank select address is A[19:18]. |
| | 001 | Bank select address is A[20:19]. |
| | 010 | Bank select address is A[21:20]. |
| | 011 | Bank select address is A[22:21]. |
| | 100 | Bank select address is A[23:22]. |
| | 101 | This bit combination is reserved and should not be used. |
| | 110 | This bit combination is reserved and should not be used. |
| | 111 | Bank select address is A[18:17]. |
| 4:3 | | These bits are reserved and should be written with zeros. Read returns zeros. |
| 2:0 | 000 | Normal operation. |
| | 001 | This bit combination is reserved and should not be used. |
| | 010 | This bit combination is reserved and should not be used. |
| | 011 | This bit combination is reserved and should not be used. |
| | 100 | For an XPC access, use MBOCR independent of bank select address. |
| | 101 | For an XPC access, use MB1CR independent of bank select address. |
| | 110 | For an XPC access, use MB2CR independent of bank select address. |
| | 111 | For an XPC access, use MB3CR independent of bank select address. |

| Memory Timing Control Register (MTCR) | | |
|--|--------------|--|
| (Address = 0x0019) | | |
| Bit(s) | Value | Description |
| 7:4 | | These bits are reserved and should be written with zeros. |
| 3 | 0 | Normal timing for /OE1 (rising edge to rising edge, one clock minimum). |
| | 1 | Extended timing for /OE1 (one-half clock earlier than normal). |
| 2 | 0 | Normal timing for /OE0 (rising edge to rising edge, one clock minimum). |
| | 1 | Extended timing for /OE0 (one-half clock earlier than normal). |
| 1 | 0 | Normal timing for /WE1 (rising edge to falling edge, one and one-half clocks minimum). |
| | 1 | Extended timing for /WE1 (falling edge to falling edge, two clocks minimum). |
| 0 | 0 | Normal timing for /WE0 (rising edge to falling edge, one and one-half clocks minimum). |
| | 1 | Extended timing for /WE0 (falling edge to falling edge, two clocks minimum). |

| Memory Alternate Control Register (MACR) (Address = 0x001D) | | |
|--|--------------|--|
| Bit(s) | Value | Description |
| 7:6 | | These bits are reserved and must not be used. |
| 5:4 | 00 | Normal 8-bit operation for /CS1. Use MBxCR for wait states unless Page Mode. |
| | 01 | Advanced 16-bit operation for /CS1. Enable prefetch mechanism for instructions and word-write accelerator for 16-bit write operations. Enable byte-lane swapping for byte data reads. Byte writes are not supported. Only aligned word writes to /CS1 are allowed. Use ACS1CR for wait states. |
| | 10 | Enable basic 16-bit operation for /CS1. Reads and writes are still byte-wide, but byte-lane swapping is enabled for reads. Data is replicated for writes. Use MBxCR for wait states unless Page Mode. |
| | 11 | Advanced 16-bit operation for /CS1. Enable prefetch mechanism for instructions and word-write accelerator for 16-bit write operations. Enable byte-lane swapping for byte data reads. Byte writes are supported. Use ACS1CR for wait states. |
| 3 | 0 | Page-mode operation disabled for /CS1. |
| | 1 | Page-mode operation enabled for /CS1. Pages are 16 bytes. Page-mode accesses for program fetches only. Use ACS1CR for wait states. |
| 2:1 | 00 | Normal 8-bit operation for /CS0. Use MBxCR for wait states unless Page Mode. |
| | 01 | Advanced 16-bit operation for /CS0. Enable prefetch mechanism for instructions and word-write accelerator for 16-bit write operations. Enable byte-lane swapping for byte data reads. Byte writes are not supported. Only aligned word writes to /CS0 are allowed. Use ACS0CR for wait states. |
| | 10 | Enable basic 16-bit operation for /CS0. Reads and writes are still byte-wide, but byte-lane swapping is enabled for reads. Data is replicated for writes. Use MBxCR for wait states unless Page Mode. |
| | 11 | Advanced 16-bit operation for /CS0. Enable prefetch mechanism for instructions and word-write accelerator for 16-bit write operations. Enable byte-lane swapping for byte data reads. Byte writes are supported. Use ACS0CR for wait states. |
| 0 | 0 | Page-mode operation disabled for /CS0. |
| | 1 | Page-mode operation enabled for /CS0. Pages are 16 bytes. Page-mode accesses for program fetches only. Use ACS0CR for wait states. |

| Advanced Chip Select x Control Register (ACS0CR) (Address = 0x0410) (ACS1CR) (Address = 0x0411) | | |
|---|--------------|---|
| Bit(s) | Value | Description |
| 7:5 | 000 | Seven wait states for 16-bit bus read or first page-mode access. |
| | 001 | Six wait states for 16-bit bus read or first page-mode read access. |
| | 010 | Five wait states for 16-bit bus read or first page-mode access. |
| | 011 | Four wait states for 16-bit bus read or first page-mode read access. |
| | 100 | Three wait states for 16-bit bus read or first page-mode read access. |
| | 101 | Two wait states for 16-bit bus read or first page-mode read access. |
| | 110 | One wait state for 16-bit bus read or first page-mode read access. |
| | 111 | This bit combination is reserved and must not be used. |
| 4:3 | 00 | Three wait states for subsequent page-mode accesses. |
| | 01 | Two wait states for subsequent page-mode accesses. |
| | 10 | One wait states for subsequent page-mode accesses. |
| | 11 | Zero wait states for subsequent page-mode accesses. |
| 2:0 | 000 | Nine (advanced) or seven (basic) wait states for 16-bit bus write access. |
| | 001 | Eight (advanced) or six (basic) wait states for 16-bit bus write access. |
| | 010 | Seven (advanced) or five (basic) wait states for 16-bit bus write access. |
| | 011 | Six (advanced) or four (basic) wait states for 16-bit bus write access. |
| | 100 | Five (advanced or three (basic) wait states for 16-bit bus write access. |
| | 101 | Four (advanced) or two (basic) wait states for 16-bit bus write access. |
| | 110 | Three (advanced) or one (basic) wait states for 16-bit bus write access. |
| | 111 | This bit combination is reserved and must not be used. |

| RAM Segment Register (RAMSR) (Address = 0x0448) | | |
|--|--------------|---|
| Bit(s) | Value | Description |
| 7:2 | | Compare value for RAM segment limit checking. |
| 1:0 | 00 | Disable RAM segment limit checking. |
| | 01 | Select data-type MMU translation if PC[15:10] is equal to RAMSR[7:2]. |
| | 10 | Select data-type MMU translation if PC[15:11] is equal to RAMSR[7:3]. |
| | 11 | Select data-type MMU translation if PC[15:12] is equal to RAMSR[7:4]. |

| Write Protection Control Register (WPCR) (Address = 0x0440) | | |
|--|--------------|---|
| Bit(s) | Value | Description |
| 7:1 | | These bits are reserved and should be written with zeros. |
| 0 | 0 | Write protection in User Mode only. |
| | 1 | Write protection in System and User modes. |

| Write-Protect x Register | | |
|--------------------------|---------|---|
| | (WP0R) | (Address = 0x0460) |
| | (WP1R) | (Address = 0x0461) |
| | (WP2R) | (Address = 0x0462) |
| | (WP3R) | (Address = 0x0463) |
| | (WP4R) | (Address = 0x0464) |
| | (WP5R) | (Address = 0x0465) |
| | (WP6R) | (Address = 0x0466) |
| | (WP7R) | (Address = 0x0467) |
| | (WP8R) | (Address = 0x0468) |
| | (WP9R) | (Address = 0x0469) |
| | (WP10R) | (Address = 0x046A) |
| | (WP11R) | (Address = 0x046B) |
| | (WP12R) | (Address = 0x046C) |
| | (WP13R) | (Address = 0x046D) |
| | (WP14R) | (Address = 0x046E) |
| | (WP15R) | (Address = 0x046F) |
| | (WP16R) | (Address = 0x0470) |
| | (WP17R) | (Address = 0x0471) |
| | (WP18R) | (Address = 0x0472) |
| | (WP19R) | (Address = 0x0473) |
| | (WP20R) | (Address = 0x0474) |
| | (WP21R) | (Address = 0x0475) |
| | (WP22R) | (Address = 0x0476) |
| | (WP23R) | (Address = 0x0477) |
| | (WP24R) | (Address = 0x0478) |
| | (WP25R) | (Address = 0x0479) |
| | (WP26R) | (Address = 0x047A) |
| | (WP27R) | (Address = 0x047B) |
| | (WP28R) | (Address = 0x047C) |
| | (WP29R) | (Address = 0x047D) |
| | (WP30R) | (Address = 0x047E) |
| | (WP31R) | (Address = 0x047F) |
| Bit(s) | Value | Description |
| 7:0 | 0 | Disable write protection for the corresponding 64K segment. |
| | 1 | <p>Enable write protection for the corresponding 64K block.</p> <p>The 8 MSBs of the 24-bit physical address of any specific 64K block can be used to determine which write-protect register to use.</p> <p>Since there are 256 64K blocks in the 16MB memory space, the 8 MSBs (the memory block must be on a 64K boundary) of the physical address is divided by 256. In total there are 32 write-protect registers, so the result is further divided by 32. This number is then added to the address of the first write-protect register (0x460) to give the address of the write-protect register that controls the 64K block in question.</p> <pre> physaddr = xxxxxxh blk64 = physaddr 16 regnum = blk64 3 register address = regnum + 0x460 </pre> <p>Each write-protect register controls 8 64K blocks. Now that you have the register address, you need to know that the register bit selects the correct 64K block. This is calculated using blk64, a value between 0–255.</p> <pre> bitnum = blk64 & 0x7 </pre> |

| Write-Protect Segment x Register | | |
|---|--------------|--|
| | | (WPSAR) (WPSBR) |
| | | (Address = 0x0480) (Address = 0x0484) |
| Bit(s) | Value | Description |
| 7:0 | | When these eight bits [23:16] match bits of the physical address, write-protect that 64K range in 4K increments using WPSxLR and WPSxHR. |

| Write-Protect Segment x Low Register | | |
|---|--------------|--|
| | | (WPSALR) (WPSBLR) |
| | | (Address = 0x0481) (Address = 0x0485) |
| Bit(s) | Value | Description |
| 7 | 0 | Disable 4K write protect for physical address 0x7000–0x7FFF in WP Segment x. |
| | 1 | Enable 4K write protect for physical address 0x7000–0x7FFF in WP Segment x. |
| 6 | 0 | Disable 4K write protect for physical address 0x6000–0x6FFF in WP Segment x. |
| | 1 | Enable 4K write protect for physical address 0x6000–0x6FFF in WP Segment x. |
| 5 | 0 | Disable 4K write protect for physical address 0x5000–0x5FFF in WP Segment x. |
| | 1 | Enable 4K write protect for physical address 0x5000–0x5FFF in WP Segment x. |
| 4 | 0 | Disable 4K write protect for physical address 0x4000–0x4FFF in WP Segment x. |
| | 1 | Enable 4K write protect for physical address 0x4000–0x4FFF in WP Segment x. |
| 3 | 0 | Disable 4K write protect for physical address 0x3000–0x3FFF in WP Segment x. |
| | 1 | Enable 4K write protect for physical address 0x3000–0x3FFF in WP Segment x. |
| 2 | 0 | Disable 4K write protect for physical address 0x2000–0x2FFF in WP Segment x. |
| | 1 | Enable 4K write protect for physical address 0x2000–0x2FFF in WP Segment x. |
| 1 | 0 | Disable 4K write protect for physical address 0x1000–0x1FFF in WP Segment x. |
| | 1 | Enable 4K write protect for physical address 0x1000–0x1FFF in WP Segment x. |
| 0 | 0 | Disable 4K write protect for physical address 0x0000–0x0FFF in WP Segment x. |
| | 1 | Enable 4K write protect for physical address 0x0000–0x0FFF in WP Segment x. |

| Write-Protect Segment x High Register (WPSAHR) (WPSBHR) (Address = 0x0482) (Address = 0x0486) | | |
|--|--------------|--|
| Bit(s) | Value | Description |
| 7 | 0 | Disable 4K write protect for physical address 0xF000–0xFFFF in WP Segment x. |
| | 1 | Enable 4K write protect for physical address 0xF000–0xFFFF in WP Segment x. |
| 6 | 0 | Disable 4K write protect for physical address 0xE000–0xEFFF in WP Segment x. |
| | 1 | Enable 4K write protect for physical address 0xE000–0xEFFF in WP Segment x. |
| 5 | 0 | Disable 4K write protect for physical address 0xD000–0xDFFF in WP Segment x. |
| | 1 | Enable 4K write protect for physical address 0xD000–0xDFFF in WP Segment x. |
| 4 | 0 | Disable 4K write protect for physical address 0xC000–0xCFFF in WP Segment x. |
| | 1 | Enable 4K write protect for physical address 0xC000–0xCFFF in WP Segment x. |
| 3 | 0 | Disable 4K write protect for physical address 0xB000–0xBFFF in WP Segment x. |
| | 1 | Enable 4K write protect for physical address 0xB000–0xBFFF in WP Segment x. |
| 2 | 0 | Disable 4K write protect for physical address 0xA000–0xAFFF in WP Segment x. |
| | 1 | Enable 4K write protect for physical address 0xA000–0xAFFF in WP Segment x. |
| 1 | 0 | Disable 4K write protect for physical address 0x9000–0x9FFF in WP Segment x. |
| | 1 | Enable 4K write protect for physical address 0x9000–0x9FFF in WP Segment x. |
| 0 | 0 | Disable 4K write protect for physical address 0x8000–0x8FFF in WP Segment x. |
| | 1 | Enable 4K write protect for physical address 0x8000–0x8FFF in WP Segment x. |

| Stack Limit Control Register (STKCR) (Address = 0x0444) | | |
|--|--------------|---|
| Bit(s) | Value | Description |
| 7:1 | | These bits are reserved and should be written with zeros. |
| 0 | 0 | Disable stack-limit checking. |
| | 1 | Enable stack-limit checking. |

| Stack Low Limit Register (STKLLR) (Address = 0x0445) | | |
|---|--------------|---|
| Bit(s) | Value | Description |
| 7:0 | | Lower limit for stack-limit checking. If a stack operation or stack-relative memory access is attempted at an address less than {STKLLR, 0x10}, a stack-limit violation interrupt is generated. |

| Stack High Limit Register (STKHLR) (Address = 0x0446) | | |
|--|--------------|--|
| Bit(s) | Value | Description |
| 7:0 | | Upper limit for stack-limit checking. If a stack operation or stack-relative memory access is attempted at an address greater than {STKHLR, 0xEF}, a stack-limit violation interrupt is generated. |

6. INTERRUPTS

6.1 Overview

The Rabbit 4000 can operate at one of four priority levels, 0–3, with Priority 0 being the expected standard operating level. The current priority and up to three previous priority levels are kept in the processor’s 8-bit IP register, where bits 0–1 contain the current priority. Every time an interrupt is handled or an IPSET instruction occurs, the value in the register is shifted left by two bits, and the new priority placed in bits 0–1. When an IPRES or IRET instruction occurs, the value in IP is shifted right by two bits (bits 0–1 are shifted into bits 6–7). On reset, the processor starts at Priority 3.

Most interrupts can be set to be Priority 1–3. A pending interrupt will be handled only if its interrupt priority is greater than the current processor priority. This means that even a Priority 3 interrupt can be blocked if the processor is currently at Priority 3. The System Mode Violation, Stack Limit Violation, Write Protection Violation, secondary watchdog, and breakpoint interrupts are always enabled at Priority 3. In addition, when the system/user mode is enabled and the processor is in the user mode, the processor will not actually enter Priority 3; any attempt to enter Priority 3 will actually be requested as Priority 2.

When an interrupt is handled, a call is executed to a fixed location in the interrupt vector tables; this operation requires 10 clocks, the minimum interrupt latency for the Rabbit 4000. There are two vector tables, the internal and the external interrupt vector tables, that can be located anywhere in logical memory by setting the processor’s IIR and EIR registers. The IIR and EIR registers hold the upper byte of each table’s address. For example, if IIR is loaded with 0xC4, then the internal interrupt vector table will start at the logical memory address 0xC400.

The internal interrupt vector table occupies 512 bytes, and the external interrupt vector table is 256 bytes in size. Since the RST and SYSCALL vectors use all eight bits of the IIR for addressing, the lowermost bit of IIR should always be set to zero so to keep some vectors from inadvertently overlapping.

Each interrupt’s vector begins on a 16-byte boundary inside the vector tables. It may be possible to fit a small routine into that space, but it is typical to place a call to a separate routine in that location.

Some Rabbit 4000 instructions are “chained atomic,” which means that an interrupt cannot occur between that instruction and the following instruction. These instructions are useful for doing things like exiting interrupt handlers properly or updating semaphores.

6.2 Operation

To ensure proper operation, all interrupt handler routines should be written according to the following guidelines.

- Push all registers to be used by the routine onto the stack before use, and pop them off the stack before returning from the ISR.
- Keep the ISR as short and fast as possible.
- If the ISR will run for some time, lower the interrupt priority as soon as possible within the ISR to allow other interrupts to occur.
- A number of special rules apply to interrupts when operating in the system/user mode; please see the appropriate chapter for more details.

6.3 Interrupt Tables

Table 6-1 shows the structure of the internal interrupt vector table. The first column is the vector address offset within the table. The second column shows the vectors in the first 256 bytes of the table, and the third column shows the vectors in the second 256 bytes.

Table 6-1. Internal Interrupt Vector Table Structure

| Offset | 0x0000+ | 0x0100+ |
|--------|-------------------------|-------------------------|
| 0x00 | Periodic Interrupt | — |
| 0x10 | Secondary Watchdog | — |
| 0x20 | RST 10 | — |
| 0x30 | RST 18 | — |
| 0x40 | RST20 | — |
| 0x50 | RST 28 | — |
| 0x60 | Syscall instruction | — |
| 0x70 | RST 38 | PWM |
| 0x80 | Slave Port | Sys/User Mode Violation |
| 0x90 | Write Protect Violation | Quadrature Decoder |
| 0xA0 | Timer A | Input Capture |
| 0xB0 | Timer B | Stack Limit Violation |
| 0xC0 | Serial Port A | Serial Port E |
| 0xD0 | Serial Port B | Serial Port F |
| 0xE0 | Serial Port C | Network Port A |
| 0xF0 | Serial Port D | Timer C |

Table 6-2 shows the structure of the external interrupt vector table. Each interrupt vector falls on a 16-byte boundary inside the table.

Table 6-2. External Interrupt Vector Table Structure

| Offset | 0x0000+ |
|--------|----------------------|
| 0x00 | External Interrupt 0 |
| 0x10 | External Interrupt 1 |
| 0x20 | — |
| 0x30 | — |
| 0x40 | Breakpoints |
| 0x50 | — |
| 0x60 | — |
| 0x70 | — |
| 0x80 | DMA Channel 0 |
| 0x90 | DMA Channel 1 |
| 0xA0 | DMA Channel 2 |
| 0xB0 | DMA Channel 3 |
| 0xC0 | DMA Channel 4 |
| 0xD0 | DMA Channel 5 |
| 0xE0 | DMA Channel 6 |
| 0xF0 | DMA Channel 7 |

There is a priority among interrupts if multiple requests are pending, as shown in Table 6-3. Interrupts marked as “cleared automatically” have their requests cleared when the interrupt is first handled.

Table 6-3. Interrupt Priorities

| Priority | Interrupt Source | Action Required to Clear the Interrupt |
|---------------|--|--|
| Highest | Breakpoint | Read the status from BDCR. |
| | System Mode Violation | Cleared automatically. |
| | Stack Limit Violation | Cleared automatically. |
| | Write Protection Violation | Cleared automatically. |
| | Secondary Watchdog | Restart secondary watchdog by writing to WDTCR. |
| | External Interrupt 1 | Cleared automatically. |
| | External Interrupt 0 | Cleared automatically. |
| | Periodic Interrupt | Read the status from GCSR. |
| | Quadrature Decoder | Read the status from QDCSR. |
| | Timer B | Read the status from TBCSR. |
| | Timer A | Read the status from TACSR. |
| | Input Capture | Read the status from ICCSR. |
| | PWM | Write any PWM register. |
| | Timer C | Read the status from TCCSR. |
| | Slave Port | Rd: Read from SPD0R, SPD1R or SPD2R. Wr: Write to SPD0R, SPD1R, SPD2R or dummy write to SPSR. |
| | DMA 7 | Cleared automatically. |
| | DMA 6 | Cleared automatically. |
| | DMA 5 | Cleared automatically. |
| | DMA 4 | Cleared automatically. |
| | DMA 3 | Cleared automatically. |
| | DMA 2 | Cleared automatically. |
| | DMA 1 | Cleared automatically. |
| | DMA 0 | Cleared automatically. |
| | Network Port A | Read interrupt status from NACSR |
| | Serial Port E | Rx: Read from SEDR or SEAR. Tx: Write to SEDR, SEAR, SELR or dummy write to SESR. |
| | Serial Port F | Rx: Read from SFDR or SFAR. Tx: Write to SFDR, SFAR, SFLR or dummy write to SFSR. |
| | Serial Port A | Rx: Read from SADR or SAAR. Tx: Write to SADR, SAAR, SALR or dummy write to SASR. |
| | Serial Port B | Rx: Read from SBDR or SBAR. Tx: Write to SBDR, SBAR, SBLR or dummy write to SBSR. |
| Serial Port C | Rx: Read from SCDR or SCAR. Tx: Write to SCDR, SCAR, SCLR or dummy write to SCSR. | |
| Lowest | Serial Port D | Rx: Read from SDDR or SDAR. Tx: Write to SDDR, SDAR, SDLR or dummy write to SDSR. |

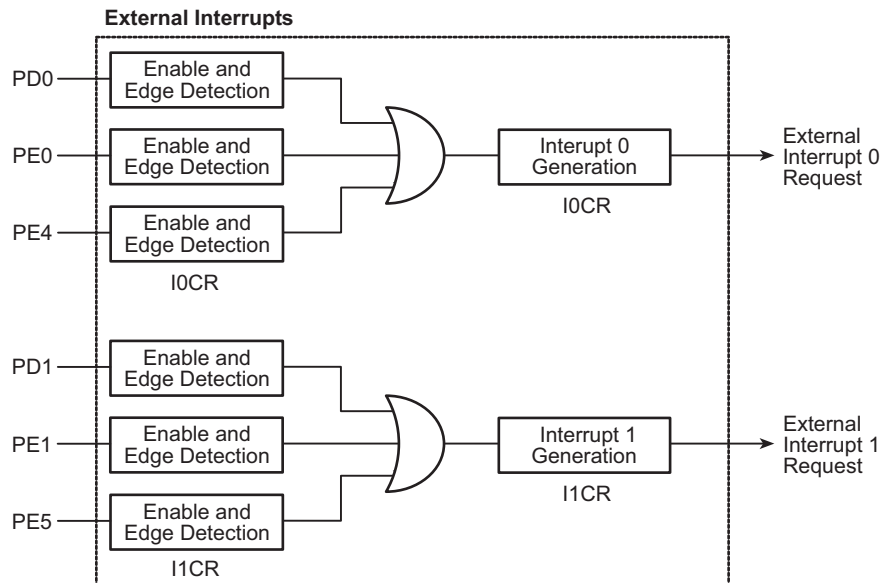
7. EXTERNAL INTERRUPTS

7.1 Overview

The Rabbit 4000 has six external interrupts available, and they share two interrupt vectors. In the case of multiple interrupts sharing an interrupt vector, the data register corresponding to the parallel port(s) being used can be read. Each interrupt vector can be set to trigger on a rising edge, a falling edge, or either edge.

The signal on the external interrupt pin must be present for at least three peripheral clock cycles to be detected. In addition, the Rabbit 4000 has a minimum latency of 10 clocks to respond to an interrupt, so the minimum external interrupt response time is three peripheral clock cycles plus 10 processor clock cycles.

7.2 Block Diagram



7.2.1 Registers

| Register Name | Mnemonic | I/O Address | R/W | Reset |
|------------------------------|----------|-------------|-----|----------|
| Interrupt 0 Control Register | IOCR | 0x0098 | R/W | xx000000 |
| Interrupt 1 Control Register | IICR | 0x0099 | R/W | xx000000 |

7.3 Dependencies

7.3.1 I/O Pins

The external interrupts can be enabled on pins PD0, PD1, PE0, PE1, PE4, and PE5. Each pin is associated with a particular interrupt vector as shown in Table 7-1 below.

Table 7-1. Rabbit 4000 Interrupt Vectors

| Vector | Register | Pins |
|-------------|----------|---------------|
| Interrupt 0 | IOCR | PD0, PE0, PE4 |
| Interrupt 1 | IICR | PD1, PE1, PE5 |

7.3.2 Clocks

The external interrupts are controlled by the peripheral clock. A pulse must be present for at least three peripheral clock cycles to trigger an interrupt.

7.3.3 Interrupts

An external interrupt is generated whenever the selected edge occurs on an enabled pin. The interrupt request is automatically cleared when the interrupt is handled.

The external interrupt vectors are in the EIR at offsets 0x000 and 0x010. They can be set as Priority 1, 2, or 3 in the appropriate IxCR.

7.4 Operation

The following steps must be taken to enable the external interrupts:

1. Write the vector(s) to the interrupt service routine to the external interrupt table.
2. Configure IxCR to select which pins are enabled for external interrupts, what edges are detected on each pin, and the interrupt priority.

7.4.1 Example ISR

A sample interrupt handler is shown below.

```
extInt_isr::  
    ; respond to external interrupt here  
    ; interrupt is automatically cleared by interrupt acknowledge  
    ipres  
    ret
```


7.5 Register Descriptions

| Interrupt x Control Register | | (I0CR) (I1CR) | (Address = 0x0098) (Address = 0x0099) |
|------------------------------|-------|--|--|
| Bit(s) | Value | Description | |
| 7:6 | 00 | Parallel Port D low nibble interrupt disabled. | |
| | 01 | Parallel Port D low nibble interrupt on falling edge. | |
| | 10 | Parallel Port D low nibble interrupt on rising edge. | |
| | 11 | Parallel Port D low nibble interrupt on both edges. | |
| 5:4 | 00 | Parallel Port E high nibble interrupt disabled. | |
| | 01 | Parallel Port E high nibble interrupt on falling edge. | |
| | 10 | Parallel Port E high nibble interrupt on rising edge. | |
| | 11 | Parallel Port E high nibble interrupt on both edges. | |
| 3:2 | 00 | Parallel Port E low nibble interrupt disabled. | |
| | 01 | Parallel Port E low nibble interrupt on falling edge. | |
| | 10 | Parallel Port E low nibble interrupt on rising edge. | |
| | 11 | Parallel Port E low nibble interrupt on both edges. | |
| 1:0 | 00 | This external interrupt is disabled. | |
| | 01 | This external interrupt uses Interrupt Priority 1. | |
| | 10 | This external interrupt uses Interrupt Priority 2. | |
| | 11 | This external interrupt uses Interrupt Priority 3. | |

8. PARALLEL PORT A

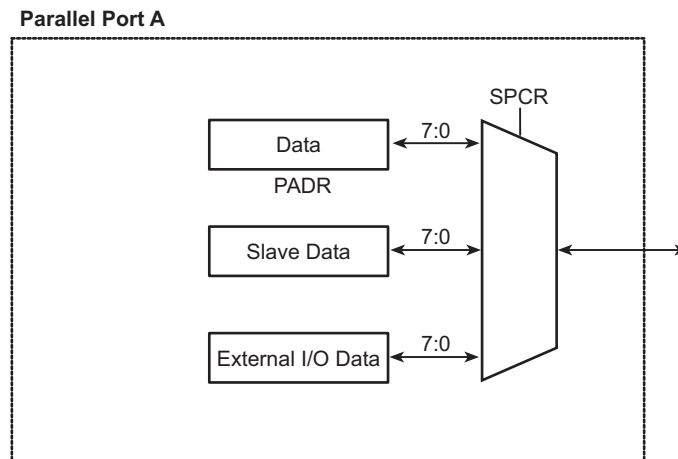
8.1 Overview

Parallel Port A is a byte-wide port that can be used as an input or an output port. Parallel Port A is also used as the data bus for the slave port and auxiliary I/O bus. The Slave Port Control Register (SPCR) is used to configure how Parallel Port A is used. Parallel Port A is an input at startup or reset. If the SMODE pins have selected the slave port bootstrap mode, Parallel Port A will be the slave port data bus until disabled by the processor. Parallel Port A can also be used as an external I/O data bus to isolate external I/O from the main data bus.

Table 8-1. Parallel Port A Pin Alternate Output Functions

| Pin Name | Slave Port Data Bus | Auxiliary I/O Bus |
|----------|---------------------|-------------------|
| PA[7:0] | SD[7:0] | ID[7:0] |

8.1.1 Block Diagram



8.1.2 Registers

| Register Name | Mnemonic | I/O Address | R/W | Reset |
|----------------------|----------|-------------|-----|----------|
| Port A Data Register | PADR | 0x0030 | R/W | xxxxxxxx |

8.2 Dependencies

8.2.1 I/O Pins

Parallel Port A uses pins PA0 through PA7. These pins can be used as follows.

- General-purpose 8-bit data input (write 0x080 to SPCR)
- General-purpose 8-bit data output (write 0x084 to SPCR)
- Slave port data bus (write 0x088 to SPCR)
- Data bus of the auxiliary I/O bus (write 0x08C to SPCR)

All Parallel Port A bits are inputs at startup or reset.

See the associated peripheral chapters for details on how they use Parallel Port A.

8.2.2 Clocks

Any outputs on Parallel Port A are clocked by the peripheral clock.

8.2.3 Other Registers

| Register | Function |
|----------|---------------------------------|
| SPCR | Used to set up Parallel Port A. |

8.2.4 Interrupts

There are no interrupts associated with Parallel Port A.

8.3 Operation

The following steps explain how to set up Parallel Port A.

1. Select the desired mode using SPCR.
2. If the slave port or auxiliary I/O bus is selected, refer to the chapters for those peripherals for further setup.

Once Parallel Port A is set up, data can be read or written by accessing PADR. Note that Parallel Port A is not available for general-purpose I/O while the slave port or the auxiliary I/O bus is selected. Selecting these options for Parallel Port A affects Parallel Port B because Parallel Port B is then used for address and control signals.

8.4 Register Descriptions

| Parallel Port A Data Register (PADR) (Address = 0x0030) | | |
|---|-------|--|
| Bit(s) | Value | Description |
| 7:0 | Read | The current state of Parallel Port A pins PA7–PA0 is reported. |
| | Write | The Parallel Port A buffer is written with this value for transfer to the Parallel Port A output register on the next rising edge of the peripheral clock. |

| Slave Port Control Register (SPCR) (Address = 0x0024) | | |
|---|-------|--|
| Bit(s) | Value | Description |
| 7 | 0 | Program fetch as a function of the SMODE pins. |
| | 1 | Ignore the SMODE pins program fetch function. |
| 6:5 | read | These bits report the state of the SMODE pins. |
| | write | These bits are ignored and should be written with zero. |
| 4:2 | 000 | Disable the slave port. Parallel Port A is a byte-wide input port. |
| | 001 | Disable the slave port. Parallel Port A is a byte-wide output port. |
| | 010 | Enable the slave port, with /SCS from Parallel Port E bit 7. |
| | 011 | Enable the auxiliary I/O bus. Parallel Port A is used for the data bus and Parallel Port B[7:2] is used for the address bus. |
| | 100 | This bit combination is reserved and should not be used. |
| | 101 | This bit combination is reserved and should not be used. |
| | 110 | Enable the slave port, with /SCS from Parallel Port B bit 6. |
| | 111 | Enable the auxiliary I/O bus. Parallel Port A is used for the data bus and Parallel Port B[7:0] is used for the address bus. |
| 1:0 | 00 | Slave port interrupts are disabled. |
| | 01 | Slave port interrupts use Interrupt Priority 1. |
| | 10 | Slave port interrupts use Interrupt Priority 2. |
| | 11 | Slave port interrupts use Interrupt Priority 3. |

9. PARALLEL PORT B

9.1 Overview

Parallel Port B is a byte-wide port with each bit programmable for direction. The Parallel Port B pins are also used to access other peripherals on the chip—the slave port, the auxiliary I/O address bus, and clock I/O for clocked serial mode option for Serial Ports A and B. The Slave Port Control Register (SPCR) is used to configure how Parallel Port B is used when selecting the slave port or the auxiliary I/O bus modes.

When the slave port is enabled, either under program control or during parallel bootstrap, Parallel Port B pins carry the Slave Attention output signal, and four of the inputs carry the Slave Read strobe, Slave Write strobe, and Slave Address bits. The Slave Chip Select can also be programmed to come from a Parallel Port B pin.

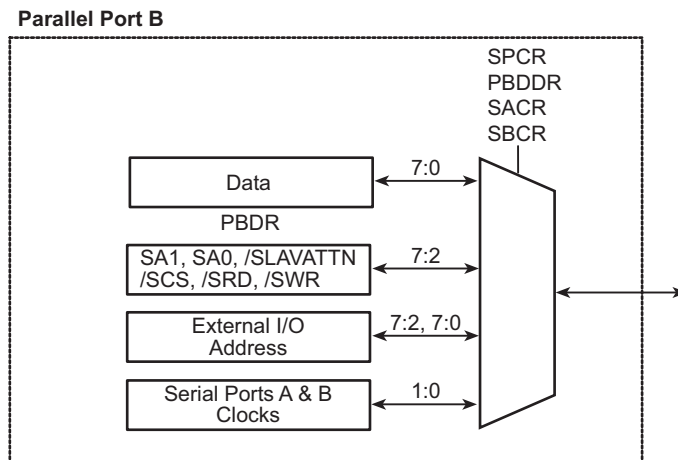
When the auxiliary I/O bus option is enabled, either six or eight pins carry the external I/O address signals selected in SPCR.

Two pins are used for the clocks for Serial Ports A and B when they are configured for the clocked serial mode. These two inputs can be used as clock outputs for these ports if selected in the respective serial port control registers. Note that the clocked serial output clock selection overrides all other programming for the two relevant Parallel Port B pins.

Table 9-1. Parallel Port B Pin Alternate Output Functions

| Pin Name | Slave Port | Serial Ports A–D | Auxiliary I/O Bus |
|----------|------------|------------------|-------------------|
| PB7 | /SLVATN | — | IA5 |
| PB6 | /SCS | — | IA4 |
| PB5 | SA1 | — | IA3 |
| PB4 | SA0 | — | IA2 |
| PB3 | /SRD | — | IA1 |
| PB2 | /SWR | — | IA0 |
| PB1 | — | SCLKA | IA7 |
| PB0 | — | SCLKB | IA6 |

9.1.1 Block Diagram



9.1.2 Registers

| Register Name | Mnemonic | I/O Address | R/W | Reset |
|--------------------------------|----------|-------------|-----|----------|
| Port B Data Register | PBDR | 0x0040 | R/W | 00xxxxxx |
| Port B Data Direction Register | PBDDR | 0x0047 | R/W | 11000000 |

9.2 Dependencies

9.2.1 I/O Pins

Parallel Port B uses pins PB0 through PB7. These pins can be used individually as data inputs or outputs; as the address bits for the auxiliary I/O bus; as control signals for the slave port; or as clocks for Serial Ports A and B.

On startup, bits 6 and 7 are outputs set low for backwards compatibility with the Rabbit 2000. All other pins are inputs.

Note that when the auxiliary I/O bus or slave port is enabled in SPCR, the Parallel Port B pins associated with those peripherals perform those actions, no matter what the settings are in PBDR or PBDDR. See the associated peripheral chapters for details on how they use Parallel Port B.

9.2.2 Clocks

All outputs on Parallel Port B are clocked by the peripheral clock (perclk).

9.2.3 Other Registers

| Register | Function |
|----------|--|
| SPCR | Sets the Parallel Port B function for some pins if the slave port or auxiliary I/O bus is enabled. |

9.2.4 Interrupts

There are no interrupts associated with Parallel Port B.

9.3 Operation

The following steps must be taken before using Parallel Port B.

1. Select the desired input/output direction for each pin via PBDDR. Note that this setting is superseded for some pins if the slave port or auxiliary I/O bus is enabled in SPCR or if the clocked serial mode is enabled for serial ports A or B.
2. If the slave port or the auxiliary I/O bus is selected, refer to the chapters for those peripherals for further setup information.

Once the port is set up, data can be read or written by accessing PBDR. The value in PBDR of an output pin will reflect its current output value, but any value written to an input pin will not appear until that pin becomes an output.

9.4 Register Descriptions

| Parallel Port B Data Register | | (PBDR) | (Address = 0x0040) |
|-------------------------------|-------|--|--------------------|
| Bit(s) | Value | Description | |
| 7:0 | Read | The current state of Parallel Port B pins PB7–PB0 is reported. | |
| | Write | The Parallel Port B buffer is written with this value for transfer to the Parallel Port B output register on the next rising edge of the peripheral clock. | |

| Parallel Port B Data Direction Register | | (PBDDR) | (Address = 0x0047) |
|---|-------|--|--------------------|
| Bit(s) | Value | Description | |
| 7:0 | 0 | The corresponding port bit is input. | |
| | 1 | The corresponding port bit is an output. | |

| Slave Port Control Register (SPCR) (Address = 0x0024) | | |
|--|--------------|--|
| Bit(s) | Value | Description |
| 7 | 0 | Program fetch as a function of the SMODE pins. |
| | 1 | Ignore the SMODE pins program fetch function. |
| 6:5 | Read | These bits report the state of the SMODE pins. |
| | Write | These bits are ignored and should be written with zero. |
| 4:2 | 000 | Disable the slave port. Parallel Port A is a byte-wide input port. |
| | 001 | Disable the slave port. Parallel Port A is a byte-wide output port. |
| | 010 | Enable the slave port, with /SCS from Parallel Port E bit 7. |
| | 011 | Enable the auxiliary I/O bus. Parallel Port A is used for the data bus and Parallel Port B[7:2] is used for the address bus. |
| | 100 | This bit combination is reserved and should not be used. |
| | 101 | This bit combination is reserved and should not be used. |
| | 110 | Enable the slave port, with /SCS from Parallel Port B bit 6. |
| | 111 | Enable the auxiliary I/O bus. Parallel Port A is used for the data bus and Parallel Port B[7:0] is used for the address bus. |
| 1:0 | 00 | Slave port interrupts are disabled. |
| | 01 | Slave port interrupts use Interrupt Priority 1. |
| | 10 | Slave port interrupts use Interrupt Priority 2. |
| | 11 | Slave port interrupts use Interrupt Priority 3. |

10. PARALLEL PORT C

10.1 Overview

Parallel Port C is a byte-wide port with each bit programmable for data direction and drive level. These are simple inputs and outputs controlled and reported in the Port C Data Register (PCDR).

All the Parallel Port C pins have alternate output functions, and most of them can be used as inputs to various on-chip peripherals.

Table 10-1. Parallel Port C Pin Alternate Output Functions

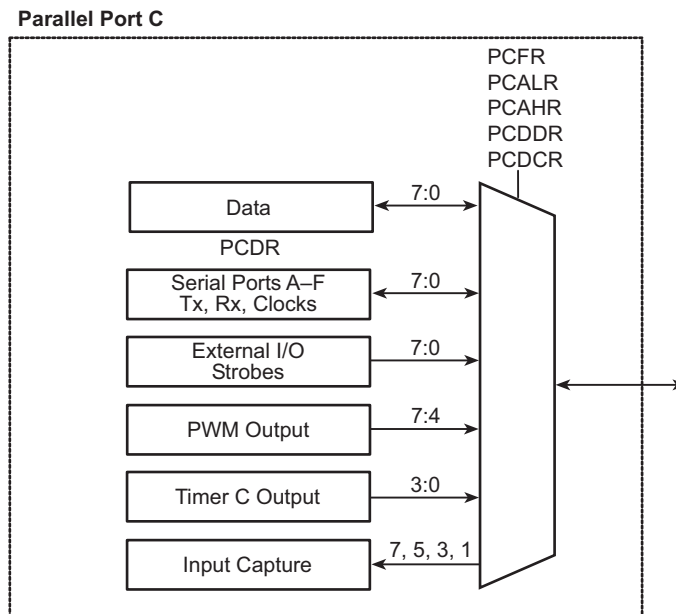
| Pin Name | Alt Out 0 | Alt Out 1 | Alt Out 2 | Alt Out 3 |
|----------|-----------|-----------|-----------|-----------|
| PC7 | TXA | I7 | PWM3 | SCLKC |
| PC6 | TXA | I6 | PWM2 | TXE |
| PC5 | TXB | I5 | PWM1 | RCLKE |
| PC4 | TXB | I4 | PWM0 | TCLKE |
| PC3 | TXC | I3 | TIMER C3 | SCLKD |
| PC2 | TXC | I2 | TIMER C2 | TXF |
| PC1 | TXD | I1 | TIMER C1 | RCLKF |
| PC0 | TXD | I0 | TIMER C0 | TCLKF |

Table 10-2. Parallel Port C Pin Alternate Input Functions

| Pin Name | Input Capture | Serial Ports A–D | Serial Ports E–F |
|----------|---------------|------------------|------------------|
| PC7 | × | RXA | RXE |
| PC6 | — | — | — |
| PC5 | × | RXB | RCLKE |
| PC4 | — | — | TCLKE |
| PC3 | × | RXC | RXF |
| PC2 | — | — | — |
| PC1 | × | RXD | RCLKF |
| PC0 | — | — | TCLKF |

After reset, the default condition for Parallel Port C is four outputs (the even-numbered bits) and four inputs (the odd-numbered bits). For compatibility with the Rabbit 2000 and the Rabbit 3000 microprocessors, these outputs are driven with a logic zero (low) on PC6 and a logic one (high) on PC4, PC2, and PC0. When PCDR is read, the value of the voltage on the pin is returned. If the pin is an output, the value it is set to is returned.

10.1.1 Block Diagram



10.1.2 Registers

| Register Name | Mnemonic | I/O Address | R/W | Reset |
|--------------------------------|----------|-------------|-----|----------|
| Port C Data Register | PCDR | 0x0050 | R/W | 00010101 |
| Port C Data Direction Register | PCDDR | 0x0051 | R/W | 01010101 |
| Port C Alternate Low Register | PCALR | 0x0052 | R/W | 00000000 |
| Port C Alternate High Register | PCADR | 0x0053 | R/W | 00000000 |
| Port C Drive Control Register | PCDCR | 0x0054 | R/W | 00000000 |
| Port C Function Register | PCFR | 0x0055 | R/W | 00000000 |

10.2 Dependencies

10.2.1 I/O Pins

Parallel Port C uses pins PC0 through PC7. These pins can be used individually as data inputs or outputs; as serial port transmit and receive for Serial ports A–F; as clocks for Serial Ports C–F; as external I/O strobes; or as outputs for the PWM and Timer C peripherals. The input capture peripheral can also watch pins PC7, PC5, PC3, and PC1.

On startup, PC4, PC2, and PC0 are outputs set high, PC6 is set low, and the other pins are inputs for compatibility with the Rabbit 3000.

The individual pins can be set to be open-drain via PCDCR.

See the associated peripheral chapters for details on how they use Parallel Port C.

10.2.2 Clocks

All outputs on Parallel Port C are clocked by the peripheral clock.

10.2.3 Other Registers

| Register | Function |
|------------------------------------|---|
| SACR, SBCR, SCCR, SDCR, SECR, SFCR | Select a Parallel Port C pin as serial data (and optional clock) input. |
| ICS1R, ICS2R | Select a Parallel Port C pin as a start/stop condition input. |

10.2.4 Interrupts

There are no interrupts associated with Parallel Port C.

10.3 Operation

The following steps must be taken before using Parallel Port C.

1. Select the desired input/output direction for each pin via PCDDR.
2. Select driven or open-drain functionality for outputs via PCDCR.
3. If an alternate peripheral output function is desired for a pin, select it via PCALR or PCAHR and then enable it via PCFR. Refer to the appropriate peripheral chapter for further use of that pin.

Once the port is set up, data can be read or written by accessing PCDR. The value in PCDR of an output pin will reflect its current output value, but any value written to an input pin will not appear until that pin becomes an output.

10.4 Register Descriptions

| Parallel Port C Data Register (PCDR) (Address = 0x0050) | | |
|---|-------|--|
| Bit(s) | Value | Description |
| 7:0 | Read | The current state of Parallel Port C pins PC7–PC0 is reported. |
| | Write | The Parallel Port C buffer is written with this value for transfer to the Parallel Port C output register on the next rising edge of the peripheral clock. |

| Parallel Port C Data Direction Register (PCDDR) (Address = 0x0051) | | |
|--|-------|--|
| Bit(s) | Value | Description |
| 7:0 | 0 | The corresponding port bit is an input. |
| | 1 | The corresponding port bit is an output. |

| Parallel Port C Alternate Low Register (PCALR) (Address = 0x0052) | | |
|---|-------|--|
| Bit(s) | Value | Description |
| 7:6 | 00 | Parallel Port C bit 3 alternate output 0 (TXC). |
| | 01 | Parallel Port C bit 3 alternate output 1 (I3). |
| | 10 | Parallel Port C bit 3 alternate output 2 (TIMER C3). |
| | 11 | Parallel Port C bit 3 alternate output 3 (SCLKD). |
| 5:4 | 00 | Parallel Port C bit 2 alternate output 0 (TXC). |
| | 01 | Parallel Port C bit 2 alternate output 1 (I2). |
| | 10 | Parallel Port C bit 2 alternate output 2 (TIMER C2). |
| | 11 | Parallel Port C bit 2 alternate output 3 (TXF). |
| 3:2 | 00 | Parallel Port C bit 1 alternate output 0 (TXD). |
| | 01 | Parallel Port C bit 1 alternate output 1 (I1). |
| | 10 | Parallel Port C bit 1 alternate output 2 (TIMER C1). |
| | 11 | Parallel Port C bit 1 alternate output 3 (RCLKF). |
| 1:0 | 00 | Parallel Port C bit 0 alternate output 0 (TXD). |
| | 01 | Parallel Port C bit 0 alternate output 1 (I0). |
| | 10 | Parallel Port C bit 0 alternate output 2 (TIMER C0). |
| | 11 | Parallel Port C bit 0 alternate output 3 (TCLKF). |

| Parallel Port C Alternate High Register (PCAHR) (Address = 0x0053) | | |
|---|--------------|---|
| Bit(s) | Value | Description |
| 7:6 | 00 | Parallel Port C bit 7 alternate output 0 (TXA). |
| | 01 | Parallel Port C bit 7 alternate output 1 (I7). |
| | 10 | Parallel Port C bit 7 alternate output 2 (PWM3). |
| | 11 | Parallel Port C bit 7 alternate output 3 (SCLKC). |
| 5:4 | 00 | Parallel Port C bit 6 alternate output 0 (TXA). |
| | 01 | Parallel Port C bit 6 alternate output 1 (I6). |
| | 10 | Parallel Port C bit 6 alternate output 2 (PWM2). |
| | 11 | Parallel Port C bit 6 alternate output 3 (TXE). |
| 3:2 | 00 | Parallel Port C bit 5 alternate output 0 (TXB). |
| | 01 | Parallel Port C bit 5 alternate output 1 (I5). |
| | 10 | Parallel Port C bit 5 alternate output 2 (PWM1). |
| | 11 | Parallel Port C bit 5 alternate output 3 (RCLKE). |
| 1:0 | 00 | Parallel Port C bit 4 alternate output 0 (TXB). |
| | 01 | Parallel Port C bit 4 alternate output 1 (I4). |
| | 10 | Parallel Port C bit 4 alternate output 2 (PWM0). |
| | 11 | Parallel Port C bit 4 alternate output 3 (TCLKE). |

| Parallel Port C Drive Control Register (PCDCR) (Address = 0x0054) | | |
|--|--------------|---|
| Bit(s) | Value | Description |
| 7:0 | 0 | The corresponding port bit, as an output, is driven high and low. |
| | 1 | The corresponding port bit, as an output, is open-drain. |

| Parallel Port C Function Register (PCFR) (Address = 0x0055) | | |
|--|--------------|---|
| Bit(s) | Value | Description |
| 7:0 | 0 | The corresponding port bit functions normally. |
| | 1 | The corresponding port bit carries its alternate signal as an output. See Table 10-1. |

11. PARALLEL PORT D

11.1 Overview

Parallel Port D is a byte-wide port with each bit programmable for data direction and drive level. These are simple inputs and outputs controlled and reported in the Port D Data Register (PDDR).

All of the Parallel Port D pins have alternate output functions, and all of them can be used as inputs to various on-chip peripherals.

When used as outputs, the Parallel Port D bits are buffered, with the data written to PDDR transferred to the output pins on a selected timing edge. Either the peripheral clock or the outputs of Timer A1, Timer B1, or Timer B2 can be used for this function, with each nibble of the port having a separate select field to control this timing. Each bit can either be programmed as open-drain or driven high and low.

Because of the buffered nature of Parallel Port D, using a read-modify-write type of operation can lead to old data being written to PDDR. To alleviate this potential problem, each bit of the port can be written individually using a separate address for each bit.

Parallel Port D acts as the upper byte of the data bus when the 16-bit mode is enabled; all other functionality of Parallel Port D will be automatically disabled when 16-bit mode is in effect.

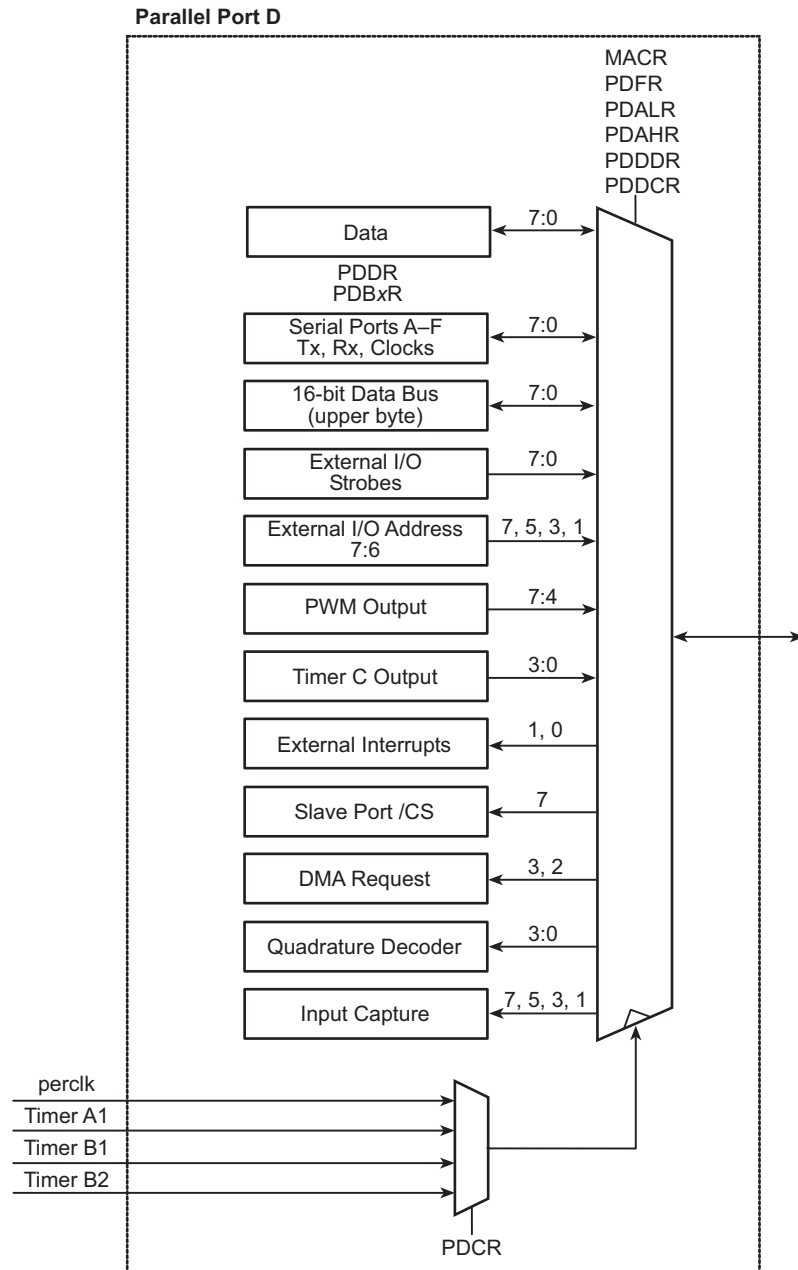
Table 11-1. Parallel Port D Pin Alternate Output Functions

| Pin Name | Alt Out 0 | Alt Out 1 | Alt Out 2 | Alt Out 3 | 16-bit Data Bus |
|----------|-----------|-----------|-----------|-----------|-----------------|
| PD7 | IA7 | I7 | PWM3 | SCLKC | D15 |
| PD6 | TXA | I6 | PWM2 | TXE | D14 |
| PD5 | IA6 | I5 | PWM1 | RCLKE | D13 |
| PD4 | TXB | I4 | PWM0 | TCLKE | D12 |
| PD3 | IA7 | I3 | TIMER C3 | SCLKD | D11 |
| PD2 | SCLKC | I2 | TIMER C2 | TXF | D10 |
| PD1 | IA6 | I1 | TIMER C1 | RCLKF | D9 |
| PD0 | SCLKD | I0 | TIMER C0 | TCLKF | D8 |

Table 11-2. Parallel Port D Pin Alternate Input Functions

| Pin Name | Input Capture | Serial Ports A–D | Serial Ports E–F | DMA | External Interrupts | Quad Decode |
|----------|---------------|------------------|------------------|-------|---------------------|-------------|
| PD7 | × | RXA | RXE | — | — | — |
| PD6 | — | — | — | — | — | — |
| PD5 | × | RXB | RCLKE | — | — | — |
| PD4 | — | — | TCLKE | — | — | — |
| PD3 | × | RXC | RXF | DREQ1 | — | QRD2A |
| PD2 | — | SCLKC | — | DREQ0 | — | QRD2B |
| PD1 | × | RXD | RCLKF | — | INT1 | QRD1A |
| PD0 | — | SCLKD | TCLKF | — | INT0 | QRD1B |

11.1.1 Block Diagram



11.1.2 Registers

| Register Name | Mnemonic | I/O Address | R/W | Reset |
|--------------------------------|----------|-------------|-----|----------|
| Port D Data Register | PDDR | 0x0060 | R/W | xxxxxxx |
| Port D Alternate Low Register | PDALR | 0x0062 | R/W | 0000000 |
| Port D Alternate High Register | PDAHR | 0x0063 | R/W | 0000000 |
| Port D Control Register | PDCR | 0x0064 | R/W | xx00xx00 |
| Port D Function Register | PDFR | 0x0065 | R/W | xxxxxxx |
| Port D Drive Control Register | PDDCR | 0x0066 | R/W | xxxxxxx |
| Port D Data Direction Register | PDDDR | 0x0067 | R/W | 0000000 |
| Port D Bit 0 Register | PDB0R | 0x0068 | W | xxxxxxx |
| Port D Bit 1 Register | PDB1R | 0x0069 | W | xxxxxxx |
| Port D Bit 2 Register | PDB2R | 0x006A | W | xxxxxxx |
| Port D Bit 3 Register | PDB3R | 0x006B | W | xxxxxxx |
| Port D Bit 4 Register | PDB4R | 0x006C | W | xxxxxxx |
| Port D Bit 5 Register | PDB5R | 0x006D | W | xxxxxxx |
| Port D Bit 6 Register | PDB6R | 0x006E | W | xxxxxxx |
| Port D Bit 7 Register | PDB7R | 0x006F | W | xxxxxxx |

11.2 Dependencies

11.2.1 I/O Pins

Parallel Port D uses pins PD0 through PD7. These pins can be used individually as data inputs or outputs; as serial port transmit and receive for Serial Ports A, B, E, and F; as clocks for Serial Ports C–F; as external I/O strobes; or as outputs for the PWM and Timer C peripherals. In addition, Parallel Port D acts as the upper byte of the data bus (D[15:8]) when 16-bit addressing is enabled. The input capture peripheral can also watch pins PD7, PD5, PD3, and PD1.

All pins are set as inputs on startup.

The individual bits can be set to be open-drain via PDDCR.

See the associated peripheral chapters for details on how they use Parallel Port D.

11.2.2 Clocks

All outputs on Parallel Port D are clocked by the peripheral clock unless changed in PDCR, where the option of updating the Parallel Port D pins can be synchronized to the output of Timer A1, Timer B1, or Timer B2.

11.2.3 Other Registers

| Register | Function |
|------------------------------------|---|
| SACR, SBCR, SCCR, SDCR, SECR, SFCR | Select a Parallel Port D pin as serial data (and optional clock) input. |
| ICS1R, ICS2R | Select a Parallel Port D pin as a start/stop condition input. |
| QDCR | Select a Parallel Port D pin as a decoder input. |
| I0CR, I1CR | Select a Parallel Port D pin as an external interrupt input. |
| DMR0CR, DMR1CR | Select a Parallel Port D pin as an external DMA request input. |
| MACR | Enable 16-bit data bus. |

11.2.4 Interrupts

External interrupts can be accepted from pins PD1 or PD0; see Chapter 7 for more details.

11.3 Operation

The following steps must be taken before using Parallel Port D.

1. Select the desired input/output direction for each pin via PDDDR.
2. Select high/low or open-drain functionality for outputs via PDDCR.
3. If an alternative peripheral output function is desired for a pin, select it by via PDALR or PDAHR and then enable it via PDFR. Refer to the appropriate peripheral chapter for further use of that pin.
4. All these settings will be superseded if a 16-bit memory interface is selected since parallel port D is used for the upper half of the data bus in that mode.

Once Parallel Port D is set up, data can be read or written by accessing PDDR. The value of an output pin read in from PDDR will reflect its current output value, but any value written to an input pin will not appear until that pin becomes an output.

11.4 Register Descriptions

| Parallel Port D Data Register (PDDR) (Address = 0x0060) | | |
|---|-------|--|
| Bit(s) | Value | Description |
| 7:0 | Read | The current state of Parallel Port D pins PD7–PD0 is reported. |
| | Write | The Parallel Port D buffer is written with this value for transfer to the Parallel Port D output register on the next rising edge of the peripheral clock. |

| Parallel Port D Alternate Low Register (PDALR) (Address = 0x0062) | | |
|---|-------|--|
| Bit(s) | Value | Description |
| 7:6 | 00 | Parallel Port D bit 3 alternate output 0 (IA7). |
| | 01 | Parallel Port D bit 3 alternate output 1 (I3). |
| | 10 | Parallel Port D bit 3 alternate output 2 (TIMER C3). |
| | 11 | Parallel Port D bit 3 alternate output 3 (SCLKD). |
| 5:4 | 00 | Parallel Port D bit 2 alternate output 0 (SCLKC). |
| | 01 | Parallel Port D bit 2 alternate output 1 (I2). |
| | 10 | Parallel Port D bit 2 alternate output 2 (TIMER C2). |
| | 11 | Parallel Port D bit 2 alternate output 3 (TXF). |
| 3:2 | 00 | Parallel Port D bit 1 alternate output 0 (IA6). |
| | 01 | Parallel Port D bit 1 alternate output 1 (I1). |
| | 10 | Parallel Port D bit 1 alternate output 2 (TIMER C1). |
| | 11 | Parallel Port D bit 1 alternate output 3 (RCLKF). |
| 1:0 | 00 | Parallel Port D bit 0 alternate output 0 (SCLKD). |
| | 01 | Parallel Port D bit 0 alternate output 1 (I0). |
| | 10 | Parallel Port D bit 0 alternate output 2 (TIMER C0). |
| | 11 | Parallel Port D bit 0 alternate output 3 (TCLKF). |

| Parallel Port D Alternate High Register (PDAHR) (Address = 0x0063) | | |
|---|--------------|---|
| Bit(s) | Value | Description |
| 7:6 | 00 | Parallel Port D bit 7 alternate output 0 (IA7). |
| | 01 | Parallel Port D bit 7 alternate output 1 (I7). |
| | 10 | Parallel Port D bit 7 alternate output 2 (PWM3). |
| | 11 | Parallel Port D bit 7 alternate output 3 (SCLKC). |
| 5:4 | 00 | Parallel Port D bit 6 alternate output 0 (TXA). |
| | 01 | Parallel Port D bit 6 alternate output 1 (I6). |
| | 10 | Parallel Port D bit 6 alternate output 2 (PWM2). |
| | 11 | Parallel Port D bit 6 alternate output 3 (TXE). |
| 3:2 | 00 | Parallel Port D bit 5 alternate output 0 (IA6). |
| | 01 | Parallel Port D bit 5 alternate output 1 (I5). |
| | 10 | Parallel Port D bit 5 alternate output 2 (PWM1). |
| | 11 | Parallel Port D bit 5 alternate output 3 (RCLKE). |
| 1:0 | 00 | Parallel Port D bit 4 alternate output 0 (TXB). |
| | 01 | Parallel Port D bit 4 alternate output 1 (I4). |
| | 10 | Parallel Port D bit 4 alternate output 2 (PWM0). |
| | 11 | Parallel Port D bit 4 alternate output 3 (TCLKE). |

| Parallel Port D Control Register (PDCR) (Address = 0x0064) | | |
|---|--------------|--|
| Bit(s) | Value | Description |
| 7:6 | | These bits are ignored and should be written with zero. |
| 5:4 | 00 | The upper nibble peripheral clock is the peripheral clock. |
| | 01 | The upper nibble peripheral clock is the output of Timer A1. |
| | 10 | The upper nibble peripheral clock is the output of Timer B1. |
| | 11 | The upper nibble peripheral clock is the output of Timer B2. |
| 3:2 | | These bits are ignored and should be written with zero. |
| 1:0 | 00 | The lower nibble peripheral clock is the peripheral clock. |
| | 01 | The lower nibble peripheral clock is the output of Timer A1. |
| | 10 | The lower nibble peripheral clock is the output of Timer B1. |
| | 11 | The lower nibble peripheral clock is the output of Timer B2. |

| Parallel Port D Function Register (PDFR) (Address = 0x0065) | | |
|--|--------------|---|
| Bit(s) | Value | Description |
| 7:0 | 0 | The corresponding port bit functions normally. |
| | 1 | The corresponding port bit carries its alternate signal as an output. See Table 11-1. |

| Parallel Port D Drive Control Register (PDDCR) (Address = 0x0066) | | |
|--|--------------|---|
| Bit(s) | Value | Description |
| 7:0 | 0 | The corresponding port bit, as an output, is driven high and low. |
| | 1 | The corresponding port bit, as an output, is open-drain. |

| Parallel Port D Data Direction Register (PDDDR) (Address = 0x0067) | | |
|---|--------------|--|
| Bit(s) | Value | Description |
| 7:0 | 0 | The corresponding port bit is input. |
| | 1 | The corresponding port bit is an output. |

| Parallel Port D Bit 0 Register (PDB0R) (Address = 0x0068) | | |
|--|--------------|--|
| Bit(s) | Value | Description |
| 7:1 | | These bits are ignored. |
| 0 | Write | The port buffer (bit 0) is written with the value of this bit. The port buffer will be transferred to the port output register on the next rising edge of the peripheral clock |

| Parallel Port D Bit 1 Register (PDB1R) (Address = 0x0069) | | |
|--|--------------|--|
| Bit(s) | Value | Description |
| 7:2,0 | | These bits are ignored. |
| 1 | Write | The port buffer (bit 1) is written with the value of this bit. The port buffer will be transferred to the port output register on the next rising edge of the peripheral clock |

| Parallel Port D Bit 2 Register (PDB2R) (Address = 0x006A) | | |
|--|--------------|--|
| Bit(s) | Value | Description |
| 7:3,1:0 | | These bits are ignored. |
| 2 | Write | The port buffer (bit 2) is written with the value of this bit. The port buffer will be transferred to the port output register on the next rising edge of the peripheral clock |

| Parallel Port D Bit 3 Register (PDB3R) (Address = 0x006B) | | |
|--|--------------|--|
| Bit(s) | Value | Description |
| 7:4,2:0 | | These bits are ignored. |
| 3 | Write | The port buffer (bit 3) is written with the value of this bit. The port buffer will be transferred to the port output register on the next rising edge of the peripheral clock |

| Parallel Port D Bit 4 Register (PDB4R) (Address = 0x006C) | | |
|--|--------------|--|
| Bit(s) | Value | Description |
| 7:5,3:0 | | These bits are ignored. |
| 4 | Write | The port buffer (bit 4) is written with the value of this bit. The port buffer will be transferred to the port output register on the next rising edge of the peripheral clock |

| Parallel Port D Bit 5 Register (PDB5R) (Address = 0x006D) | | |
|--|--------------|--|
| Bit(s) | Value | Description |
| 7:6,4:0 | | These bits are ignored. |
| 5 | Write | The port buffer (bit 5) is written with the value of this bit. The port buffer will be transferred to the port output register on the next rising edge of the peripheral clock |

| Parallel Port D Bit 6 Register (PDB6R) (Address = 0x006E) | | |
|--|--------------|--|
| Bit(s) | Value | Description |
| 7,5:0 | | These bits are ignored. |
| 6 | Write | The port buffer (bit 6) is written with the value of this bit. The port buffer will be transferred to the port output register on the next rising edge of the peripheral clock |

| Parallel Port D Bit 7 Register (PDB7R) (Address = 0x006F) | | |
|--|--------------|--|
| Bit(s) | Value | Description |
| 6:0 | | These bits are ignored. |
| 7 | Write | The port buffer (bit 7) is written with the value of this bit. The port buffer will be transferred to the port output register on the next rising edge of the peripheral clock |

12. PARALLEL PORT E

12.1 Overview

Parallel Port E is a byte-wide port with each bit programmable for data direction and drive level. These are simple inputs and outputs controlled and reported in the Port E Data Register (PEDR).

All of the Parallel Port E pins have alternate output functions, and all of them can be used as inputs to various on-chip peripherals.

When used as outputs, the Parallel Port E bits are buffered, with the data written to PEDR transferred to the output pins on a selected timing edge. Either the peripheral clock or the outputs of Timer A1, Timer B1, or Timer B2 can be used for this function, with each nibble of the port having a separate select field to control this timing. Each bit can either be programmed as open-drain or driven high and low.

Because of the buffered nature of Parallel Port E, using a read-modify-write type of operation can lead to old data being written to PEDR. To alleviate this potential problem, each bit of the port can be written individually using a separate address for each bit.

Bit 7 of Parallel Port E is used as the default chip select input for the slave port when the slave port is enabled, either for parallel bootstrap or under program control.

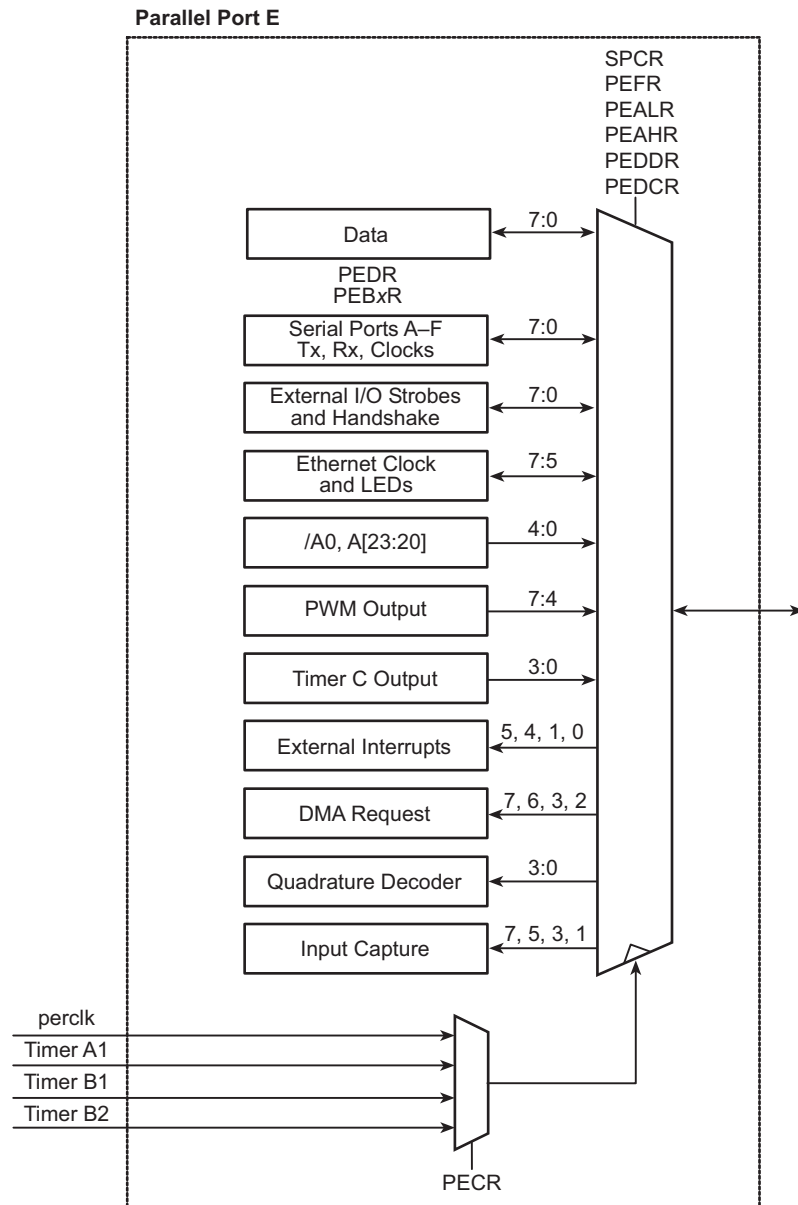
Table 12-1. Parallel Port E Pin Alternate Output Functions

| Pin Name | Alt Out 0 | Alt Out 1 | Alt Out 2 | Alt Out 3 |
|----------|-----------|-----------|-----------|-----------|
| PE7 | I7 | /ACT | PWM3 | SCLKC |
| PE6 | I6 | — | PWM2 | TXE |
| PE5 | I5 | /LINK | PWM1 | RCLKC |
| PE4 | I4 | /A0 | PWM0 | TCLKC |
| PE3 | I3 | A23 | TIMER C3 | SCLKD |
| PE2 | I2 | A22 | TIMER C2 | TXF |
| PE1 | I1 | A21 | TIMER C1 | RCLKF |
| PE0 | I0 | A20 | TIMER C0 | TCLKF |

Table 12-2. Parallel Port E Pin Alternate Input Functions

| Pin Name | Input Capture | Serial Ports A–D | Serial Ports E–F | DMA | External Interrupts | Quad Decode | Ethernet |
|----------|---------------|------------------|------------------|-------|---------------------|-------------|----------|
| PE7 | × | RXA | RXE | DREQ1 | — | — | — |
| PE6 | — | — | — | DREQ0 | — | — | ECLK |
| PE5 | × | RXB | RCLKE | — | INT1 | — | — |
| PE4 | — | — | TCLKE | — | INT0 | — | — |
| PE3 | × | RXC | RXF | DREQ1 | — | QRD2A | — |
| PE2 | — | SCLKC | — | DREQ0 | — | QRD2B | — |
| PE1 | × | RXD | RCLKF | — | INT1 | QRD1A | — |
| PE0 | — | SCLKD | TCLKF | — | INT0 | QRD1B | — |

12.1.1 Block Diagram



12.1.2 Registers

| Register Name | Mnemonic | I/O Address | R/W | Reset |
|--------------------------------|----------|-------------|-----|----------|
| Port E Data Register | PEDR | 0x0070 | R/W | xxxxxxxx |
| Port E Alternate Low Register | PEALR | 0x0072 | R/W | 00000000 |
| Port E Alternate High Register | PEAHR | 0x0073 | R/W | 00000000 |
| Port E Control Register | PECR | 0x0074 | R/W | xx00xx00 |
| Port E Function Register | PEFR | 0x0075 | R/W | 00000000 |
| Port E Drive Control Register | PEDCR | 0x0076 | R/W | 00000000 |
| Port E Data Direction Register | PEDDR | 0x0077 | R/W | 00000000 |
| Port E Bit 0 Register | PEB0R | 0x0078 | W | xxxxxxxx |
| Port E Bit 1 Register | PEB1R | 0x0079 | W | xxxxxxxx |
| Port E Bit 2 Register | PEB2R | 0x007A | W | xxxxxxxx |
| Port E Bit 3 Register | PEB3R | 0x007B | W | xxxxxxxx |
| Port E Bit 4 Register | PEB4R | 0x007C | W | xxxxxxxx |
| Port E Bit 5 Register | PEB5R | 0x007D | W | xxxxxxxx |
| Port E Bit 6 Register | PEB6R | 0x007E | W | xxxxxxxx |
| Port E Bit 7 Register | PEB7R | 0x007F | W | xxxxxxxx |

12.2 Dependencies

12.2.1 I/O Pins

Parallel Port E uses the pins PE0 through PE7. These pins can be used individually as data inputs or outputs; as serial port transmit and receive for Serial Ports E and F; as clocks for Serial Ports C–F; as external I/O strobes; as outputs for the PWM and Timer C peripherals; as the upper address bits A[23:20]; or as the Ethernet clock and status LEDs for the on-chip network peripheral. The input capture peripheral can also watch pins PE7, PE5, PE3, and PE1. There is also an option to provide the slave port chip select on PE7.

All pins are set as inputs on startup.

The individual bits can be set to be open-drain via PEDCR.

See the associated peripheral chapters for details on how they use Parallel Port E.

12.2.2 Clocks

All outputs on Parallel Port E are clocked by the peripheral clock unless changed in PECR, where the option of updating the Parallel Port E pins can be synchronized to the output of Timer A1, Timer B1, or Timer B2.

12.2.3 Other Registers

| Register | Function |
|------------------------------------|---|
| SACR, SBCR, SCCR, SDCR, SECR, SFCR | Select a Parallel Port E pin as serial data (and optional clock) input. |
| ICS1R, ICS2R | Select a Parallel Port E pin as a start/stop condition input. |
| QDCR | Select a Parallel Port E pin as a decoder input. |
| I0CR, I1CR | Select a Parallel Port E pin as an external interrupt input. |
| DMR0CR, DMR1CR | Select a Parallel Port E pin as an external DMA request input. |
| NACR | Select PE6 as the Ethernet clock input. |
| SPCR | Select slave chip select on PE7. |
| IHSR, IHTR | |

12.2.4 Interrupts

External interrupts can be accepted from pins PE5, PE4, PE1 or PE0; see Chapter 7 for more details.

12.3 Operation

The following steps must be taken before using Parallel Port E.

1. Select the desired input/output direction for each pin via PEDDR.
2. Select high/low or open-drain functionality for outputs via PEDCR.
3. If an alternative peripheral output function is desired for a pin, select it by via PEALR or PEAHR and then enable it via PEFRR. Refer to the appropriate peripheral chapter for further use of that pin.

Once the port is set up, data can be read or written by accessing PEDR. The value of an output pin read in from PEDR will reflect its current output value, but any value written to an input pin will not appear until that pin becomes an output.

12.4 Register Descriptions

| Parallel Port E Data Register (PEDR) (Address = 0x0070) | | |
|---|-------|--|
| Bit(s) | Value | Description |
| 7:0 | Read | The current state of Parallel Port E pins PE7–PE0 is reported. |
| | Write | The Parallel Port E buffer is written with this value for transfer to the Parallel Port E output register on the next rising edge of the peripheral clock. |

| Parallel Port E Alternate Low Register (PEARL) (Address = 0x0072) | | |
|---|-------|--|
| Bit(s) | Value | Description |
| 7:6 | 00 | Parallel Port E bit 3 alternate output 0 (I3). |
| | 01 | Parallel Port E bit 3 alternate output 1 (A23). |
| | 10 | Parallel Port E bit 3 alternate output 2 (TIMER C3). |
| | 11 | Parallel Port E bit 3 alternate output 3 (SCLKD). |
| 5:4 | 00 | Parallel Port E bit 2 alternate output 0 (I2). |
| | 01 | Parallel Port E bit 2 alternate output 1 (A22). |
| | 10 | Parallel Port E bit 2 alternate output 2 (TIMER C2). |
| | 11 | Parallel Port E bit 2 alternate output 3 (TXF). |
| 3:2 | 00 | Parallel Port E bit 1 alternate output 0 (I1). |
| | 01 | Parallel Port E bit 1 alternate output 1 (A21). |
| | 10 | Parallel Port E bit 1 alternate output 2 (TIMER C1). |
| | 11 | Parallel Port E bit 1 alternate output 3 (RCLKF). |
| 1:0 | 00 | Parallel Port E bit 0 alternate output 0 (I0). |
| | 01 | Parallel Port E bit 0 alternate output 1 (A20). |
| | 10 | Parallel Port E bit 0 alternate output 2 (TIMER C0). |
| | 11 | Parallel Port E bit 0 alternate output 3 (TCLKF). |

| Parallel Port E Alternate High Register (PEAHR) (Address = 0x0073) | | |
|---|--------------|--|
| Bit(s) | Value | Description |
| 7:6 | 00 | Parallel Port E bit 7 alternate output 0 (I7). |
| | 01 | Parallel Port E bit 7 alternate output 1 (/ACT). |
| | 10 | Parallel Port E bit 7 alternate output 2 (PWM3). |
| | 11 | Parallel Port E bit 7 alternate output 3 (SCLKC). |
| 5:4 | 00 | Parallel Port E bit 6 alternate output 0 (I6). |
| | 01 | Parallel Port E bit 6 alternate output 1 (no functionality). |
| | 10 | Parallel Port E bit 6 alternate output 2 (PWM2). |
| | 11 | Parallel Port E bit 6 alternate output 3 (TXE). |
| 3:2 | 00 | Parallel Port E bit 5 alternate output 0 (I5). |
| | 01 | Parallel Port E bit 5 alternate output 1 (/LINK). |
| | 10 | Parallel Port E bit 5 alternate output 2 (PWM1). |
| | 11 | Parallel Port E bit 5 alternate output 3 RCLKE). |
| 1:0 | 00 | Parallel Port E bit 4 alternate output 0 (I4). |
| | 01 | Parallel Port E bit 4 alternate output 1 (/A0). |
| | 10 | Parallel Port E bit 4 alternate output 2 (PWM0). |
| | 11 | Parallel Port E bit 4 alternate output 3 (TCLKE). |

| Parallel Port E Control Register (PECR) (Address = 0x0074) | | |
|---|--------------|--|
| Bit(s) | Value | Description |
| 7:6 | | These bits are ignored and should be written with zero. |
| 5:4 | 00 | The upper nibble peripheral clock is CLK/2. |
| | 01 | The upper nibble peripheral clock is the output of Timer A1. |
| | 10 | The upper nibble peripheral clock is the output of Timer B1. |
| | 11 | The upper nibble peripheral clock is the output of Timer B2. |
| 3:2 | | These bits are ignored and should be written with zero. |
| 1:0 | 00 | The lower nibble peripheral clock is CLK/2. |
| | 01 | The lower nibble peripheral clock is the output of Timer A1. |
| | 10 | The lower nibble peripheral clock is the output of Timer B1. |
| | 11 | The lower nibble peripheral clock is the output of Timer B2. |

| Parallel Port E Function Register (PEFR) (Address = 0x0075) | | |
|--|--------------|---|
| Bit(s) | Value | Description |
| 7:0 | 0 | The corresponding port bit functions normally. |
| | 1 | The corresponding port bit carries its alternate signal as an output. See Table 12-1. |

| Parallel Port E Drive Control Register (PEDCR) (Address = 0x0076) | | |
|--|--------------|---|
| Bit(s) | Value | Description |
| 7:0 | 0 | The corresponding port bit, as an output, is driven high and low. |
| | 1 | The corresponding port bit, as an output, is open-drain. |

| Parallel Port E Data Direction Register (PEDDR) (Address = 0x0077) | | |
|---|--------------|--|
| Bit(s) | Value | Description |
| 7:0 | 0 | The corresponding port bit is input. |
| | 1 | The corresponding port bit is an output. |

| Parallel Port E Bit 0 Register (PEB0R) (Address = 0x0078) | | |
|--|--------------|--|
| Bit(s) | Value | Description |
| 7:1 | | These bits are ignored. |
| 0 | Write | The port buffer (bit 0) is written with the value of this bit. The port buffer will be transferred to the port output register on the next rising edge of the peripheral clock |

| Parallel Port E Bit 1 Register (PEB1R) (Address = 0x0079) | | |
|--|--------------|--|
| Bit(s) | Value | Description |
| 7:2,0 | | These bits are ignored. |
| 1 | Write | The port buffer (bit 1) is written with the value of this bit. The port buffer will be transferred to the port output register on the next rising edge of the peripheral clock |

| Parallel Port E Bit 2 Register (PEB2R) (Address = 0x007A) | | |
|--|--------------|--|
| Bit(s) | Value | Description |
| 7:3,1:0 | | These bits are ignored. |
| 2 | Write | The port buffer (bit 2) is written with the value of this bit. The port buffer will be transferred to the port output register on the next rising edge of the peripheral clock |

| Parallel Port E Bit 3 Register (PEB3R) (Address = 0x007B) | | |
|--|--------------|--|
| Bit(s) | Value | Description |
| 7:4,2:0 | | These bits are ignored. |
| 3 | Write | The port buffer (bit 3) is written with the value of this bit. The port buffer will be transferred to the port output register on the next rising edge of the peripheral clock |

| Parallel Port E Bit 4 Register (PEB4R) (Address = 0x007C) | | |
|--|--------------|--|
| Bit(s) | Value | Description |
| 7:5,3:0 | | These bits are ignored. |
| 4 | Write | The port buffer (bit 4) is written with the value of this bit. The port buffer will be transferred to the port output register on the next rising edge of the peripheral clock |

| Parallel Port E Bit 5 Register (PEB5R) (Address = 0x007D) | | |
|--|--------------|--|
| Bit(s) | Value | Description |
| 7:6,4:0 | | These bits are ignored. |
| 5 | Write | The port buffer (bit 5) is written with the value of this bit. The port buffer will be transferred to the port output register on the next rising edge of the peripheral clock |

| Parallel Port E Bit 6 Register (PEB6R) (Address = 0x007E) | | |
|--|--------------|--|
| Bit(s) | Value | Description |
| 7,5:0 | | These bits are ignored. |
| 6 | Write | The port buffer (bit 6) is written with the value of this bit. The port buffer will be transferred to the port output register on the next rising edge of the peripheral clock |

| Parallel Port E Bit 7 Register (PEB7R) (Address = 0x007F) | | |
|--|--------------|--|
| Bit(s) | Value | Description |
| 6:0 | | These bits are ignored. |
| 7 | Write | The port buffer (bit 7) is written with the value of this bit. The port buffer will be transferred to the port output register on the next rising edge of the peripheral clock |

13. TIMER A

13.1 Overview

The Timer A peripheral consists of ten separate eight-bit countdown timers, A1–A10. Each counter counts down from a programmed time constant, which is automatically reloaded into the respective counter when the count reaches zero. For example, if the reload register contains 127, then 128 pulses enter on the left before a pulse exits on the right (see Figure 13-1). If the reload register contains zero, then each pulse on the left results in a pulse on the right, that is, there is division by one. The reload register can contain any number in the range from 0 to 255. The counter divides by $(n + 1)$.

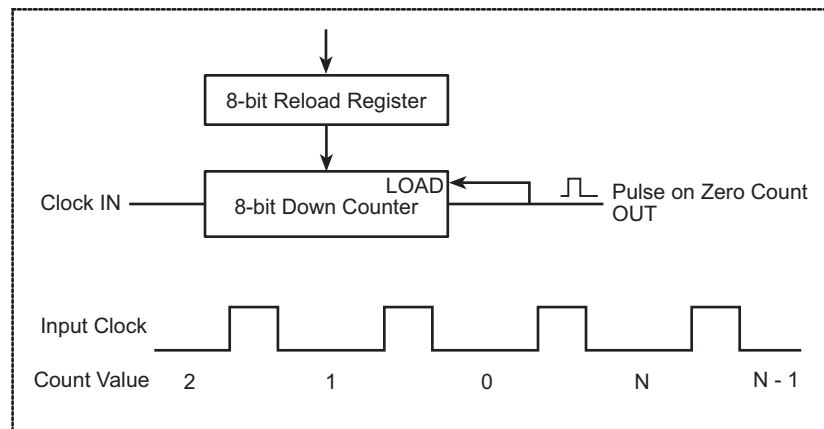


Figure 13-1. Reload Register Operation

For Timers A1–A7 the terminal count condition is reported in a status register and can be programmed to generate an interrupt. Six of these seven timers (A2–A7) have the option of being cascaded from Timer A1, but the primary clock for all of the timers is the peripheral clock either directly or divided by 2 (the default). The output pulses are always one clock wide. Clocking of the timers takes place on the negative edge of this pulse. When the counter reaches zero, the reload register is loaded into the counter on the next input pulse instead of a count being performed.

Timers A2–A7 can be used to generate baud rates for Serial Ports A–F, or they can be used as general-purpose timers if the dedicated timers on the Rabbit 4000 serial ports are used. The three remaining timers (A8–A10) serve as prescalers for the input capture, PWM, and quadrature decoder peripherals respectively. The peripherals clocked by these timers can

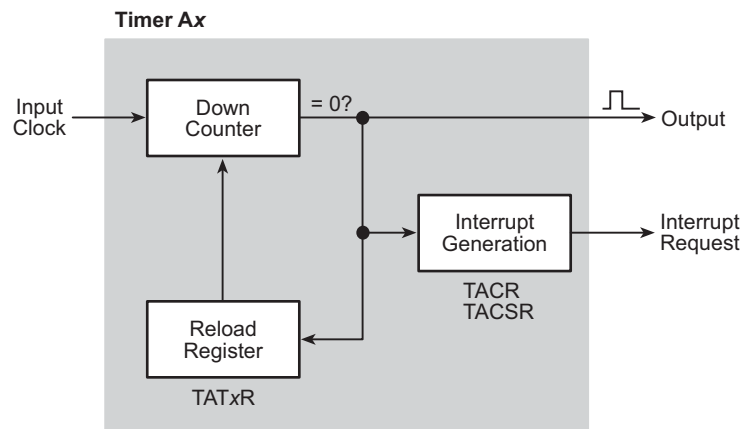
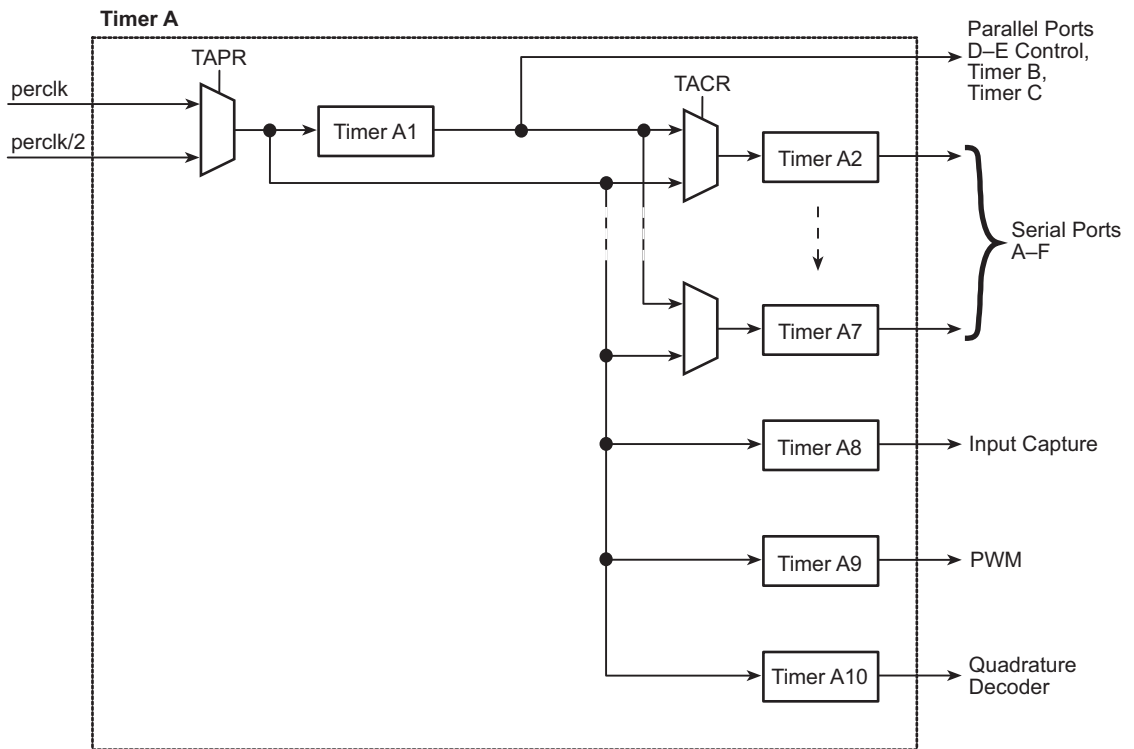
generate interrupts but the timers themselves cannot. Furthermore, these timers cannot be cascaded with Timer A1.

The individual Timer A capabilities are summarized in the table below. There is a bit in the control/status register to disable all ten timers globally.

| Timer | Cascade from A1 | Interrupt | Associated Peripheral |
|-------|-----------------|-----------|-----------------------------|
| A1 | No | Yes | Parallel Ports D–E, Timer B |
| A2 | Yes | Yes | Serial Port E |
| A3 | Yes | Yes | Serial Port F |
| A4 | Yes | Yes | Serial Port A |
| A5 | Yes | Yes | Serial Port B |
| A6 | Yes | Yes | Serial Port C |
| A7 | Yes | Yes | Serial Port D |
| A8 | No | No | Input Capture |
| A9 | No | No | Pulse-Width Modulator |
| A10 | No | No | Quadrature Decoder |

There is one interrupt vector for Timer A and a common interrupt priority. A common status register (TACSR) has bits for timers A1–A7 that indicate if the output pulse for that timer has taken place since the last read of the status register. These bits are cleared when the status register is read. No bit will be lost. Either it will be read by the status register read or it will be set after the status register read is complete. If a bit is on and the corresponding interrupt is enabled, an interrupt will occur when priorities allow. However, a separate interrupt is not guaranteed for each bit with an enabled interrupt. If the bit is read in the status register, it is cleared and no further interrupt corresponding to that bit will be requested. It is possible that one bit will cause an interrupt, and then one or more additional bits will be set before the status register is read. After these bits are cleared, they cannot cause an interrupt. The proper rule to follow is for the interrupt routine to handle all bits that it sees set.

13.1.1 Block Diagram



13.1.2 Registers

| Register Name | Mnemonic | I/O Address | R/W | Reset |
|-----------------------------------|----------|-------------|-----|----------|
| Timer A Control/Status Register | TACSR | 0x00A0 | R/W | 00000000 |
| Timer A Prescale Register | TAPR | 0x00A1 | R/W | xxxxxxx1 |
| Timer A Time Constant 1 Register | TAT1R | 0x00A3 | R/W | xxxxxxx |
| Timer A Control Register | TACR | 0x00A4 | R/W | 00000000 |
| Timer A Time Constant 2 Register | TAT2R | 0x00A5 | R/W | xxxxxxx |
| Timer A Time Constant 8 Register | TAT8R | 0x00A6 | R/W | xxxxxxx |
| Timer A Time Constant 3 Register | TAT3R | 0x00A7 | R/W | xxxxxxx |
| Timer A Time Constant 9 Register | TAT9R | 0x00A8 | R/W | xxxxxxx |
| Timer A Time Constant 4 Register | TAT4R | 0x00A9 | R/W | xxxxxxx |
| Timer A Time Constant 10 Register | TAT10R | 0x00AA | R/W | xxxxxxx |
| Timer A Time Constant 5 Register | TAT5R | 0x00AB | R/W | xxxxxxx |
| Timer A Time Constant 6 Register | TAT6R | 0x00AD | R/W | xxxxxxx |
| Timer A Time Constant 7 Register | TAT7R | 0x00AF | R/W | xxxxxxx |

13.2 Dependencies

13.2.1 I/O Pins

The output of Timer A does not come out directly on any of the I/O pins. It can be used to control when the output occurs on Parallel Ports D–E, and can affect the output times of Serial Ports A–F and the PWM.

13.2.2 Clocks

The timers in Timer A can be clocked by either `perclk` or `perclk/2`, as selected in `TAPR`. In addition, timers A2–A7 can be clocked by the output of timer A1 by selecting that option in `TACSR`.

13.2.3 Other Registers

| Register | Function |
|----------|-------------------------------|
| GCSR | Select peripheral clock mode. |

13.2.4 Interrupts

A Timer A interrupt can be generated whenever timers A1–A7 decrement to zero by enabling the appropriate bit in TACSR. The interrupt request is cleared when TACSR is read.

The Timer A interrupt vector is in the IIR at offset 0x0A0. It can be set as priority 1, 2, or 3 in TACR.

13.3 Operation

The following steps explain how to set up a Timer A timer.

1. Select perclk as the Timer A input clock in TAPR (default is perclk/2).
2. Select the source clocks for timers A2–A7 in TACR.
3. Write the desired divider value to TATxR for all timers that will be used.
4. Enable Timer A by writing a 1 to bit 0 of TACSR.

13.3.1 Handling Interrupts

The following steps explain how an interrupt is set up and used. Remember to set up the interrupt vector *before* you enable the interrupts.

1. Write the vector of the interrupt service routine to the internal interrupt table.
2. Configure TACSR to select which timers will generate an interrupt.
3. Configure TACR to select the interrupt priority (note that interrupts will be enabled once this value is set). This should be done last.

The interrupt request is cleared by reading from TACSR.

13.3.2 Example ISR

A sample interrupt handler is shown below.

```
timerA_isr::
    push af                ; save used registers
    ioi ld a, (TACSR)     ; clear the interrupt request and get status

    ; handle all interrupts flagged in TACSR here

    pop af                ; restore registers
    ipres
    ret
```

13.4 Register Descriptions

| Timer A Control/Status Register (TACSR) (Address = 0x00A0) | | |
|--|-------|--|
| Bit(s) | Value | Description |
| 7:1 (Read-only) | 0 | The corresponding Timer A counter has not reached its terminal count. |
| | 1 | The corresponding Timer A counter has reached its terminal count. These status bits (not the interrupt enable bits) are cleared by the read of this register, as is the Timer A interrupt. |
| 7:1 (Write-only) | 0 | The corresponding Timer A interrupt is disabled. |
| | 1 | The corresponding Timer A interrupt is enabled. |
| 0 | 0 | The main clock for Timer A is disabled. |
| | 1 | The main clock for Timer A (perclk) is enabled. |

| Timer A Prescale Register (TAPR) (Address = 0x00A1) | | |
|---|-------|---|
| Bit(s) | Value | Description |
| 7:1 | | These bits are reserved and should be written with zero. |
| 0 | 0 | The main clock for Timer A is the peripheral clock (perclk). |
| | 1 | The main clock for Timer A is the peripheral clock divided by two (perclk/2). |

| Timer A Control Register (TACR) (Address = 0x00A4) | | |
|---|--------------|---|
| Bit(s) | Value | Description |
| 7 | 0 | Timer A7 clocked by the main Timer A clock. |
| | 1 | Timer A7 clocked by the output of Timer A1. |
| 6 | 0 | Timer A6 clocked by the main Timer A clock. |
| | 1 | Timer A6 clocked by the output of Timer A1. |
| 5 | 0 | Timer A5 clocked by the main Timer A clock. |
| | 1 | Timer A5 clocked by the output of Timer A1. |
| 4 | 0 | Timer A4 clocked by the main Timer A clock. |
| | 1 | Timer A4 clocked by the output of Timer A1. |
| 3 | 0 | Timer A3 clocked by the main Timer A clock. |
| | 1 | Timer A3 clocked by the output of Timer A1. |
| 2 | 0 | Timer A2 clocked by the main Timer A clock. |
| | 1 | Timer A2 clocked by the output of Timer A1. |
| 1:0 | 00 | Timer A interrupts are disabled. |
| | 01 | Timer A interrupt use Interrupt Priority 1. |
| | 10 | Timer A interrupt use Interrupt Priority 2. |
| | 11 | Timer A interrupt use Interrupt Priority 3. |

| Timer A Time Constant x Register (TAT1R) (Address = 0x00A3) | | |
|--|--------------|---|
| (TAT2R) (Address = 0x00A5) | | |
| (TAT3R) (Address = 0x00A7) | | |
| (TAT4R) (Address = 0x00A9) | | |
| (TAT5R) (Address = 0x00AB) | | |
| (TAT6R) (Address = 0x00AD) | | |
| (TAT7R) (Address = 0x00AF) | | |
| (TAT8R) (Address = 0x00A6) | | |
| (TAT9R) (Address = 0x00A8) | | |
| (TAT10R) (Address = 0x00AA) | | |
| Bit(s) | Value | Description |
| 7:0 | | Time constant for the Timer A counter. This time constant will take effect the next time that the Timer A counter counts down to zero. The timer counts modulo $n + 1$, where n is the programmed time constant. |

| Global Control/Status Register (GCSR) (Address = 0x0000) | | |
|---|--------------|--|
| Bit(s) | Value | Description |
| 4:2 | 000 | Processor clock from the main clock, divided by eight. Peripheral clock from the main clock, divided by eight. |
| | 001 | Processor clock from the main clock, divided by eight. Peripheral clock from the main clock. |
| | 010 | Processor clock from the main clock. Peripheral clock from the main clock. |
| | 011 | Processor clock from the main clock, divided by two. Peripheral clock from the main clock, divided by two. |
| | 100 | Processor clock from the 32 kHz clock, optionally divided via GPSCR. Peripheral clock from the 32 kHz clock, optionally divided via GPSCR. |
| | 101 | Processor clock from the 32 kHz clock, optionally divided via GPSCR. Peripheral clock from the 32 kHz clock, optionally divided via GPSCR. The fast clock is disabled. |
| | 110 | Processor clock from the main clock, divided by four. Peripheral clock from the main clock, divided by four. |
| | 111 | Processor clock from the main clock, divided by six. Peripheral clock from the main clock, divided by six. |

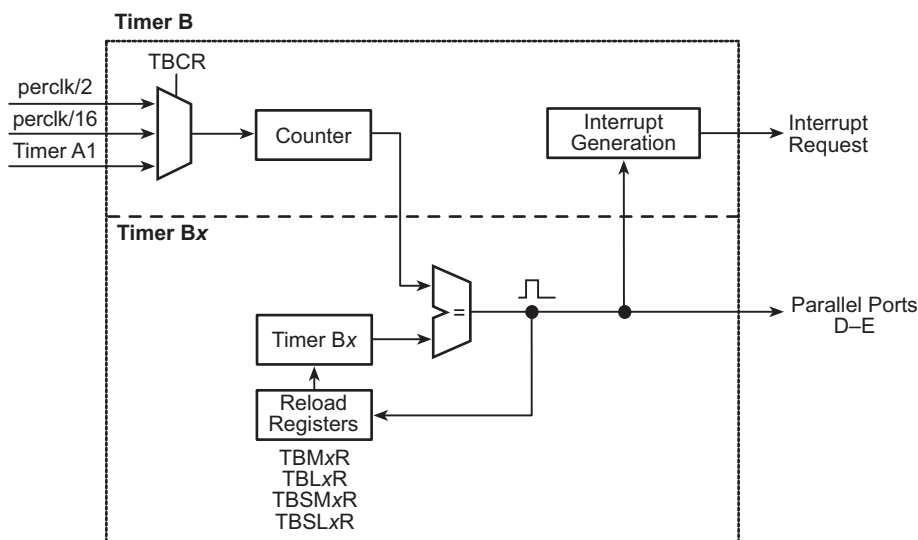
14. TIMER B

14.1 Overview

The Timer B peripheral consists of a ten-bit free running up-counter, two match registers, and two step registers. Timer B is driven by $\text{perclk}/2$, by $\text{perclk}/16$, or by the output of timer A1. Timer B generates an output pulse whenever the counter reaches the match value. This output pulse can generate an interrupt and will set a status bit in the status register. The processor may then write a new value to the match register. This allows Timer B to be used for pulse-width or pulse-position modulation because the outputs of Timer B can clock the outputs on Parallel Ports D and E.

The compare value comes from either the match register or the value internally generated via the step register. When using the match register, a new match value must be written to the match register after each match condition, LSB first. When using the step register, the hardware automatically calculates the next match value by adding the contents of the step register to the current match value. This allows Timer B matches to be generated at regular periods without calculating the new match value during the interrupt service routine.

14.1.1 Block Diagram



14.1.2 Registers

| Register Name | Mnemonic | I/O Address | R/W | Reset |
|---------------------------------|----------|-------------|-----|----------|
| Timer B Control/Status Register | TBCSR | 0x00B0 | R/W | xxxx0000 |
| Timer B Control Register | TBCR | 0x00B1 | R/W | xx000000 |
| Timer B MSB 1 Register | TBM1R | 0x00B2 | R/W | xxxxxxxx |
| Timer B LSB 1 Register | TBL1R | 0x00B3 | R/W | xxxxxxxx |
| Timer B MSB 2 Register | TBM2R | 0x00B4 | R/W | xxxxxxxx |
| Timer B LSB 2 Register | TBL2R | 0x00B5 | R/W | xxxxxxxx |
| Timer B Step LSB 1 Register | TBSL1R | 0x00BA | R/W | xxxxxxxx |
| Timer B Step MSB 1 Register | TBSM1R | 0x00BB | R/W | xxxxxxxx |
| Timer B Step LSB 2 Register | TBSL2R | 0x00BC | R/W | xxxxxxxx |
| Timer B Step MSB 2 Register | TBSM2R | 0x00BD | R/W | xxxxxxxx |
| Timer B Count MSB Register | TBCMR | 0x00BE | R | xxxxxxxx |
| Timer B Count LSB Register | TBCLR | 0x00BF | R | xxxxxxxx |

14.2 Dependencies

14.2.1 I/O Pins

The output of Timer B does not come out directly on any of the I/O pins. It can be used to control when the output occurs on Parallel Ports D–E.

14.2.2 Clocks

The timer in Timer B can be clocked by $\text{perclk}/2$, $\text{perclk}/16$, or by countdown timer A1 as selected in TBCR.

14.2.3 Other Registers

| Register | Function |
|----------|-------------------------------|
| GCSR | Select peripheral clock mode. |

14.2.4 Interrupts

A Timer B interrupt can be generated whenever the counter equals one of the match registers by enabling the appropriate bit in TBCSR. The interrupt request is cleared when TBCSR is read.

14.3 Operation

The following steps explain how to set up a Timer B countdown timer.

1. Select $\text{perclk}/2$, $\text{perclk}/16$, or countdown timer A1 in TBCR.
2. Use TBCR to select whether countdown timers B1–B2 operate normally with the match registers or whether they use the step registers to calculate match values.
3. Enable Timer B by writing a 1 to bit 0 of TBCSR.

14.3.1 Handling Interrupts

The following steps explain how an interrupt is set up and used.

1. Write the vector to the interrupt service routine to the internal interrupt table.
2. Configure TBCSR to select which match registers will generate an interrupt.
3. Configure TBCR to select the interrupt priority (note that interrupts will be enabled once this value is set; this step should be done last).

The interrupt request is cleared by reading from TBCSR.

14.3.2 Example ISR

A sample interrupt handler is shown below.

```
timerB_isr::
    push af                ; save used registers
    iorl a, (TBCSR)       ; clear the interrupt request and get status

    ; handle all interrupts flagged in TBCSR here
    ; reload match register(s) if necessary

    pop af                ; restore used registers
    ipres
    ret
```

14.4 Register Descriptions

| Timer B Control/Status Register (TBCSR) (Address = 0x00B0) | | |
|--|-------|--|
| Bit(s) | Value | Description |
| 7:3 | | These bits always read as zero. |
| 2:1 (Read-only) | 0 | The corresponding Timer B comparator has not encountered a match condition. |
| | 1 | The corresponding Timer B comparator has encountered a match condition. These status bits (but not the interrupt enable bits) are cleared by the read of this register, as is the Timer B interrupt. |
| 2:1 (Write-only) | 0 | The corresponding Timer B interrupt is disabled. |
| | 1 | The corresponding Timer B interrupt is enabled. |
| 0 | 0 | The main clock for Timer B (the peripheral clock divided by 2) is disabled. |
| | 1 | The main clock for Timer B (the peripheral clock divided by 2) is enabled. |

| Timer B Control Register (TBCR) (Address = 0x00B1) | | |
|--|-------|--|
| Bit(s) | Value | Description |
| 7:6 | | These bits are reserved and should be written with zero. |
| 5 | 0 | Normal Timer B2 operation using the match registers. |
| | 1 | Enable Timer B2 to use the step registers to calculate match values. |
| 4 | 0 | Normal Timer B1 operation, using the match registers. |
| | 1 | Enable Timer B1 to use the step registers to calculate match values. |
| 3:2 | 00 | Timer B clocked by main Timer B clock (perclk/2). |
| | 01 | Timer B clocked by the output of Timer A1. |
| | 10 | Timer B clocked by main Timer B clock divided by 8 (perclk/16). |
| | 11 | Timer B clocked by main Timer B clock divided by 8 (perclk/16). |
| 1:0 | 00 | Timer B interrupts are disabled. |
| | 01 | Timer B interrupt use Interrupt Priority 1. |
| | 10 | Timer B interrupt use Interrupt Priority 2. |
| | 11 | Timer B interrupt use Interrupt Priority 3. |

| Timer B Count MSB x Register | | | (TBM1R) | (Address = 0x00B2) |
|-------------------------------------|--------------|--|----------------|---------------------------|
| | | | (TBM2R) | (Address = 0x00B4) |
| Bit(s) | Value | Description | | |
| 7:6 | | Two MSBs of the compare value for the Timer B comparator. This compare value will be loaded into the actual comparator when the current compare detects a match. | | |
| 5:0 | | These bits are reserved and should be written with zero. | | |

| Timer B Count LSB x Register | | | (TBL1R) | (Address = 0x00B3) |
|-------------------------------------|--------------|--|----------------|---------------------------|
| | | | (TBL2R) | (Address = 0x00B5) |
| Bit(s) | Value | Description | | |
| 7:0 | | Eight LSBs of the compare value for the Timer B comparator. This compare value will be loaded into the actual comparator when the current compare detects a match. | | |

| Timer B Step LSB x Register | | | (TBSL1R) | (Address = 0x00BA) |
|------------------------------------|--------------|---|-----------------|---------------------------|
| | | | (TBSL2R) | (Address = 0x00BC) |
| Bit(s) | Value | Description | | |
| 7:0 | | Eight LSBs of the step size for the Timer B comparator. The new compare value will be loaded into the actual comparator when the current compare detects a match. | | |

| Timer B Step MSB x Register | | | (TBSM1R) | (Address = 0x00BB) |
|------------------------------------|--------------|---|-----------------|---------------------------|
| | | | (TBSM2R) | (Address = 0x00BD) |
| Bit(s) | Value | Description | | |
| 7:2 | | These bits are ignored but should be written with zeros. | | |
| 1:0 | | Two MSBs of the step size for the Timer B comparator. The new compare value will be loaded into the actual comparator when the current compare detects a match. | | |

| Timer B Count MSB Register | | | (TBCMR) | (Address = 0x00BE) |
|-----------------------------------|--------------|--|----------------|---------------------------|
| Bit(s) | Value | Description | | |
| 7:6 | read | The current value of the two MSBs of the Timer B counter are reported. | | |
| 5:0 | | These bits are always read as zeros. | | |

| Timer B Count LSB Register (TBCLR) (Address = 0x00BF) | | |
|--|--------------|--|
| Bit(s) | Value | Description |
| 7:0 | read | The current value of the eight LSBs of the Timer B counter are reported. |

| Global Control/Status Register (GCSR) (Address = 0x0000) | | |
|---|--------------|--|
| Bit(s) | Value | Description |
| 4:2 | 000 | Processor clock from the main clock, divided by eight. Peripheral clock from the main clock, divided by eight. |
| | 001 | Processor clock from the main clock, divided by eight. Peripheral clock from the main clock. |
| | 010 | Processor clock from the main clock. Peripheral clock from the main clock. |
| | 011 | Processor clock from the main clock, divided by two. Peripheral clock from the main clock, divided by two. |
| | 100 | Processor clock from the 32 kHz clock, optionally divided via GPSCR. Peripheral clock from the 32 kHz clock, optionally divided via GPSCR. |
| | 101 | Processor clock from the 32 kHz clock, optionally divided via GPSCR. Peripheral clock from the 32 kHz clock, optionally divided via GPSCR. The fast clock is disabled. |
| | 110 | Processor clock from the main clock, divided by four. Peripheral clock from the main clock, divided by four. |
| | 111 | Processor clock from the main clock, divided by six. Peripheral clock from the main clock, divided by six. |

15. TIMER C

15.1 Overview

The Timer C peripheral is a 16-bit up-counter clocked by the peripheral clock divided by 2, by the peripheral clock divided by 16, or by the output of countdown timer A1. The counter counts from zero to the limit programmed into the Timer C divider registers and then restarts at zero, so the overall cycle count is the value in the divider registers plus one. There are four Timer C outputs that are called Timers C0–C3. Each output is controlled by a 16-bit set value and a 16-bit reset value. Each output is set to one when the count matches the value in the corresponding set register and is cleared when the count matches the value programmed in the corresponding reset register. This allows the creation of quadrature signals or three-phase signals with a variable frequency for motor-control applications. The values in all of the Timer C registers are transferred to holding registers for use during the count cycle when the counter is reloaded with zeros, allowing the control registers to be reloaded at any time during the count cycle.

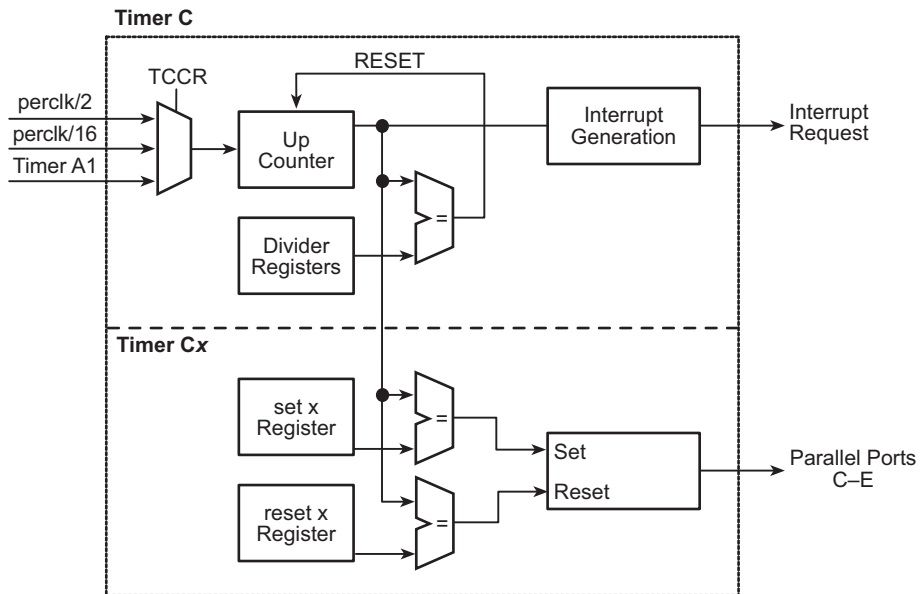
Timer C can generate an interrupt when the count limit value is reached.

A separate Timer C Block Access Register (TCBAR) and Timer C Block Pointer Register (TCBPR) are available to allow DMA control of Timer C. The pointer register contains the address of the Timer C register to be accessed via the access register. Each read or write of the access register automatically increments the pointer register through the sequence shown below. Note that only the lower five bits of the pointer actually change. This allows the DMA to write to a fixed internal I/O location but still program all of the relevant Timer registers. The pointer register can be written and read if necessary. Normally the pointer register is initialized to 0x02 (the Timer C Divider Low Register), and the DMA then transfers blocks of 18 bytes to completely reprogram Timer C.

```
0x502 -> 0x503 -> 0x508 -> 0x509 -> 0x50A -> 0x50B ->  
0x50C -> 0x50D -> 0x50E -> 0x50F -> 0x518 -> 0x519 ->  
0x51A -> 0x51B -> 0x51C -> 0x51D -> 0x51E -> 0x51F ->
```

When the DMA destination address is the TCBAR, the DMA request from Timer C is connected automatically to the DMA.

15.1.1 Block Diagram



15.1.2 Registers

| Register Name | Mnemonic | I/O Address | R/W | Reset |
|---------------------------------|----------|-------------|-----|----------|
| Timer C Control/Status Register | TCCSR | 0x0500 | R/W | xxxx0000 |
| Timer C Control Register | TCCR | 0x0501 | R/W | xx000000 |
| Timer C Divider Low Register | TCDLR | 0x0502 | R/W | 00000000 |
| Timer C Divider High Register | TCDHR | 0x0503 | R/W | 00000000 |
| Timer C Set 0 Low Register | TCS0LR | 0x0508 | R/W | xxxxxxxx |
| Timer C Set 0 High Register | TCS0HR | 0x0509 | R/W | xxxxxxxx |
| Timer C Reset 0 Low Register | TCR0LR | 0x050A | R/W | xxxxxxxx |
| Timer C Reset 0 High Register | TCR0HR | 0x050B | R/W | xxxxxxxx |
| Timer C Set 1 Low Register | TCS1LR | 0x050C | R/W | xxxxxxxx |
| Timer C Set 1 High Register | TCS1HR | 0x050D | R/W | xxxxxxxx |
| Timer C Reset 1 Low Register | TCR1LR | 0x050E | R/W | xxxxxxxx |
| Timer C Reset 1 High Register | TCR1HR | 0x050F | R/W | xxxxxxxx |
| Timer C Set 2 Low Register | TCS2LR | 0x0518 | R/W | xxxxxxxx |
| Timer C Set 2 High Register | TCS2HR | 0x0519 | R/W | xxxxxxxx |
| Timer C Reset 2 Low Register | TCR2LR | 0x051A | R/W | xxxxxxxx |
| Timer C Reset 2 High Register | TCR2HR | 0x051B | R/W | xxxxxxxx |
| Timer C Set 3 Low Register | TCS3LR | 0x051C | R/W | xxxxxxxx |
| Timer C Set 3 High Register | TCS3HR | 0x051D | R/W | xxxxxxxx |
| Timer C Reset 3 Low Register | TCR3LR | 0x051E | R/W | xxxxxxxx |
| Timer C Reset 3 High Register | TCR3HR | 0x051F | R/W | xxxxxxxx |
| Timer C Block Access Register | TCBAR | 0x00F8 | W | xxxxxxxx |
| Timer C Block Pointer Register | TCBPR | 0x00F9 | W | 00000010 |

15.2 Dependencies

15.2.1 I/O Pins

The four Timer C outputs can be directed to PC0-PC3, PD0-PD3, or PE0-PE3.

15.2.2 Clocks

The timer in Timer C is a 16-bit up-counter clocked by the peripheral clock divided by 2, by the peripheral clock divided by 16, or by the output of timer A1 as selected in TCCR.

15.2.3 Other Registers

| Register | Function |
|---|---------------------------------|
| GCSR | Select peripheral clock mode. |
| PCFR, PCALR PDFR, PDALR PEFR, PEALR | Alternate port output selection |

15.2.4 Interrupts

A Timer C interrupt is enabled in TCCR, and will occur whenever the count limit value is reached. The interrupt request is cleared when TCCSR is read.

15.3 Operation

The following steps explain how to set up a Timer C timer.

1. Select `perclk/2`, `perclk/16`, or countdown timer A1 in TCCR.
2. Load the desired upper limit for the counter into TCDLR and TCDHR. The overall clock count per Timer C cycle will be the value loaded into the divider registers plus one.
3. Load the desired set and reset values for the Timer C outputs into the set and reset registers (TCSxLR, TCSxHR, TCRxLR, and TCRxHR).
4. If you intend to use DMA control of Timer C, use TCBAR to access the Timer C register pointed to by TCBPR.
5. Enable the desired output pins for Timer C by writing to the appropriate parallel port function and alternate output registers.
6. Enable Timer C by writing a 1 to bit 0 of TCCSR.

15.3.1 Handling Interrupts

The following steps explain how an interrupt is used.

1. Write the vector to the interrupt service routine to the internal interrupt table.
2. Configure TCCR to select the interrupt priority (note that interrupts will be enabled once this value is set).

The interrupt request is cleared by reading from TCCSR.

15.3.2 Example ISR

A sample interrupt handler is shown below.

```
timerC_isr::
    push af                ; save used registers
    ioi ld a, (TCCSR)     ; clear the interrupt request and get status

    ; handle all interrupts flagged in TCCSR here

    pop af                ; restore used registers
    ipres
    ret
```

15.4 Register Descriptions

| Timer C Control/Status Register | | (TCCSR) | (Address = 0x0500) |
|---------------------------------|-------|--|--------------------|
| Bit(s) | Value | Description | |
| 7:2 | | These bits are always read as zero. | |
| 1 (Read-only) | 0 | Timer C divider has not reached its maximum value. | |
| | 1 | Timer C divider has reached its maximum value. This status bit is cleared by the read of this register, as is the Timer C interrupt. | |
| 0 | 0 | The main clock for Timer C (the peripheral clock divided by 2) is disabled. | |
| | 1 | The main clock for Timer C (the peripheral clock divided by 2) is enabled. | |

| Timer C Control Register | | (TCCR) | (Address = 0x0501) |
|--------------------------|-------|--|--------------------|
| Bit(s) | Value | Description | |
| 7:4 | | These bits are reserved and should be written with zero. | |
| 3:2 | 00 | Timer C clocked by the peripheral clock divided by 2. | |
| | 01 | Timer C clocked by the output of Timer A1. | |
| | 10 | Timer C clocked by the peripheral clock divided by 16. | |
| | 11 | Timer C clocked by the peripheral clock divided by 16. | |
| 1:0 | 00 | Timer C interrupts are disabled. | |
| | 01 | Timer C interrupt uses Interrupt Priority 1. | |
| | 10 | Timer C interrupt uses Interrupt Priority 2. | |
| | 11 | Timer C interrupt uses Interrupt Priority 3. | |

| Timer C Divider Low Register | | (TCDLR) | (Address = 0x0502) |
|------------------------------|-------|---|--------------------|
| Bit(s) | Value | Description | |
| 7:0 | | The eight LSBs of the divider limit value for Timer C are stored. | |

| Timer C Divider High Register | | (TCDHR) | (Address = 0x0503) |
|-------------------------------|-------|---|--------------------|
| Bit(s) | Value | Description | |
| 7:0 | | The eight MSBs of the divider limit value for Timer C are stored. | |

| Timer C Set x Low Register | | |
|----------------------------|-------|--|
| | | (TCS0LR) (Address = 0x0508) |
| | | (TCS1LR) (Address = 0x050C) |
| | | (TCS2LR) (Address = 0x0518) |
| | | (TCS3LR) (Address = 0x051C) |
| Bit(s) | Value | Description |
| 7:0 | | Eight LSBs of the match value to set Timer C Output x. |

| Timer C Set x High Register | | |
|-----------------------------|-------|--|
| | | (TCS0HR) (Address = 0x0509) |
| | | (TCS1HR) (Address = 0x050D) |
| | | (TCS2HR) (Address = 0x0519) |
| | | (TCS3HR) (Address = 0x051D) |
| Bit(s) | Value | Description |
| 7:0 | | Eight MSBs of the match value to set Timer C Output x. |

| Timer C Reset x Low Register | | |
|------------------------------|-------|--|
| | | (TCR0LR) (Address = 0x050A) |
| | | (TCR1LR) (Address = 0x050E) |
| | | (TCR2LR) (Address = 0x051A) |
| | | (TCR3LR) (Address = 0x051E) |
| Bit(s) | Value | Description |
| 7:0 | | Eight LSBs of the match value to reset Timer C Output x. |

| Timer C Reset x High Register | | |
|-------------------------------|-------|--|
| | | (TCR0HR) (Address = 0x050B) |
| | | (TCR1HR) (Address = 0x050F) |
| | | (TCR2HR) (Address = 0x051B) |
| | | (TCR3HR) (Address = 0x051F) |
| Bit(s) | Value | Description |
| 7:0 | | Eight MSBs of the match value to reset Timer C Output x. |

| Timer C Block Access Register | | |
|-------------------------------|-------|---|
| | | (TCBAR) (Address = 0x00F8) |
| Bit(s) | Value | Description |
| 7:0 | | Access the Timer C register pointed to by TCBPR. TCBPR is automatically updated to the next Timer C register address in the sequence. |

| Timer C Block Pointer Register (TCBPR) (Address = 0x00F9) | | |
|--|--------------|--|
| Bit(s) | Value | Description |
| 7:5 | | These bits always read as 0x0. |
| 4:0 | | Five least significant bits of the Timer C register address for indirect access. |

| Global Control/Status Register (GCSR) (Address = 0x0000) | | |
|---|--------------|--|
| Bit(s) | Value | Description |
| 4:2 | 000 | Processor clock from the main clock, divided by eight. Peripheral clock from the main clock, divided by eight. |
| | 001 | Processor clock from the main clock, divided by eight. Peripheral clock from the main clock. |
| | 010 | Processor clock from the main clock. Peripheral clock from the main clock. |
| | 011 | Processor clock from the main clock, divided by two. Peripheral clock from the main clock, divided by two. |
| | 100 | Processor clock from the 32 kHz clock, optionally divided via GPSCR. Peripheral clock from the 32 kHz clock, optionally divided via GPSCR. |
| | 101 | Processor clock from the 32 kHz clock, optionally divided via GPSCR. Peripheral clock from the 32 kHz clock, optionally divided via GPSCR. The fast clock is disabled. |
| | 110 | Processor clock from the main clock, divided by four. Peripheral clock from the main clock, divided by four. |
| | 111 | Processor clock from the main clock, divided by six. Peripheral clock from the main clock, divided by six. |

16. SERIAL PORTS A – D

16.1 Overview

Serial Ports A, B, C, and D are identical, except for the source of the data clock and the transmit, receive, and clock pins. Serial Port A is special because it can be used to bootstrap the processor. Each serial port can be used in the asynchronous or the clocked serial mode with an internal or external clock.

In the asynchronous mode, either 7 or 8 data bits can be transferred, and a parity bit and/or an additional address (0) or long stop (1) bit can be appended as well. Parity and the address/long stop bits are also detected when they are received. The asynchronous mode is full-duplex, while the clocked mode can be half or full-duplex.

Both transmit and receive have one byte of buffering — a byte may be read while another byte is being received, or the next byte to be transmitted can be loaded while the current byte is still being transferred out. The byte is available in the buffer after the final bit is sampled.

The status of each serial port is available in the Serial Port Status Registers (SxSR), and contains information on whether a received byte is available, the receive buffer was overrun, a parity error was received, and the transmit buffer is empty or busy sending a byte. The status is updated when the final bit of a received byte is sampled, or when the final bit of a transmitted byte is sent out. Each serial port has a separate interrupt vector that will be requested whenever the transmit buffer is emptied or the receive buffer contains a full byte.

All four common SPI clock modes are supported, and the bit order of the data may be either MSB or LSB first. The transmit and receive operations are under program control as well.

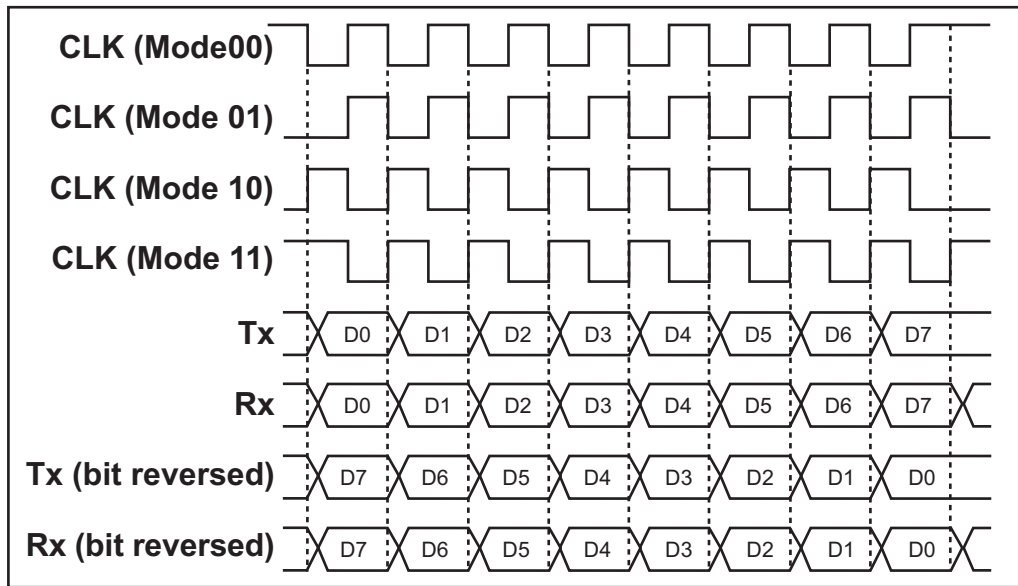


Figure 16-1. Serial Ports A – D Operation in Clocked Serial Mode

In the asynchronous mode, IrDA-compliant RZI encoding can be enabled to reduce the bit widths to 3/16 the normal width (1/8 the normal width if the serial data clock is 8× instead of 16×), which allows the serial port signal to be connected directly to an IrDA transceiver.

It is possible to select the same pin on Parallel Port C for both transmit and receive operation. This allows glueless support for bidirectional serial protocols.

It is possible to synchronize a clocked serial transfer to the match registers of Timer B to generate precisely timed transmissions.

Table 16-1. Timer A Data Clocks

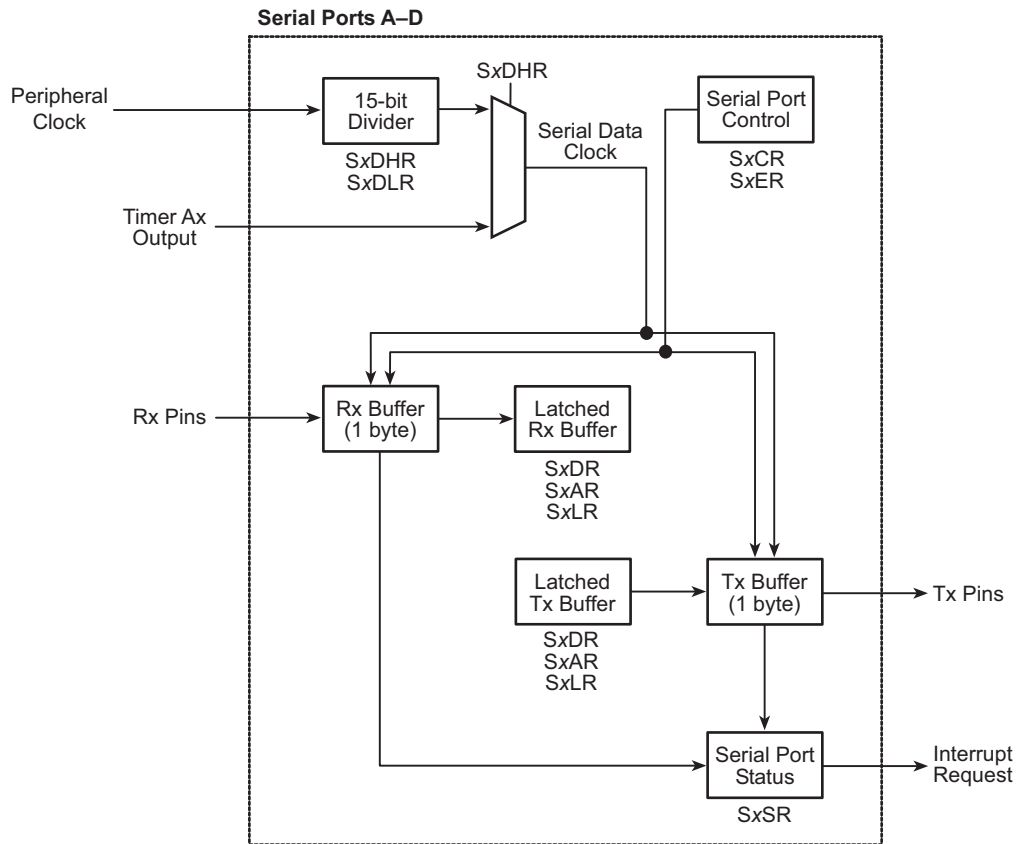
| Serial Port | Data Clock |
|-------------|------------|
| A | Timer A4 |
| B | Timer A5 |
| C | Timer A6 |
| D | Timer A7 |

The serial port data clocks can be generated from the appropriate 8-bit timer from Timer A shown in Table 16-1 or from a dedicated n+1 15-bit divider. In either case, the resulting byte data rate in the asynchronous mode is 1/8 or 1/16 the data clock rate (selectable). However, in the clocked serial mode the byte data rate is equal to the data clock rate as generated from the appropriate Timer A timer or from the dedicated 15-bit divider.

When Serial Port A is used in the asynchronous bootstrap mode, the 32 kHz clock is used to generate the expected 2400 bps data rate. An external clock must be supplied for the clocked serial bootstrap mode.

The behavior of the serial port during a break (line held low) is configurable; character assembly can continue during the break condition to allow for timing the break, or character assembly can be inhibited to reduce the interrupt overhead.

16.1.1 Block Diagram



16.1.2 Registers

| Register Name | Mnemonic | I/O Address | R/W | Reset |
|-------------------------------------|----------|-------------|-----|----------|
| Serial Port A Data Register | SADR | 0x00C0 | R/W | xxxxxxx |
| Serial Port A Address Register | SAAR | 0x00C1 | W | xxxxxxx |
| Serial Port A Long Stop Register | SALR | 0x00C2 | W | xxxxxxx |
| Serial Port A Status Register | SASR | 0x00C3 | R | 0xx00000 |
| Serial Port A Control Register | SACR | 0x00C4 | R/W | xx000000 |
| Serial Port A Extended Register | SAER | 0x00C5 | R/W | 00000000 |
| Serial Port A Divider Low Register | SADLR | 0x00C6 | R/W | xxxxxxx |
| Serial Port A Divider High Register | SADHR | 0x00C7 | R/W | 0xxxxxxx |
| Serial Port B Data Register | SBDR | 0x00D0 | R/W | xxxxxxx |
| Serial Port B Address Register | SBAR | 0x00D1 | W | xxxxxxx |
| Serial Port B Long Stop Register | SBLR | 0x00D2 | W | xxxxxxx |
| Serial Port B Status Register | SBSR | 0x00D3 | R | 0xx00000 |
| Serial Port B Control Register | SBCR | 0x00D4 | R/W | xx000000 |
| Serial Port B Extended Register | SBER | 0x00D5 | R/W | 00000000 |
| Serial Port B Divider Low Register | SBDLR | 0x00D6 | R/W | xxxxxxx |
| Serial Port B Divider High Register | SBDHR | 0x00D7 | R/W | 0xxxxxxx |
| Serial Port C Data Register | SCDR | 0x00E0 | R/W | xxxxxxx |
| Serial Port C Address Register | SCAR | 0x00E1 | W | xxxxxxx |
| Serial Port C Long Stop Register | SCLR | 0x00E2 | W | xxxxxxx |
| Serial Port C Status Register | SCSR | 0x00E3 | R | 0xx00000 |
| Serial Port C Control Register | SCCR | 0x00E4 | R/W | xx000000 |
| Serial Port C Extended Register | SCER | 0x00E5 | R/W | 00000000 |
| Serial Port C Divider Low Register | SCDLR | 0x00E6 | R/W | xxxxxxx |
| Serial Port C Divider High Register | SCDHR | 0x00E7 | R/W | 0xxxxxxx |
| Serial Port D Data Register | SDDR | 0x00F0 | R/W | xxxxxxx |
| Serial Port D Address Register | SDAR | 0x00F1 | W | xxxxxxx |
| Serial Port D Long Stop Register | SDLR | 0x00F2 | W | xxxxxxx |
| Serial Port D Status Register | SDSR | 0x00F3 | R | 0xx00000 |
| Serial Port D Control Register | SDCR | 0x00F4 | R/W | xx000000 |
| Serial Port D Extended Register | SDER | 0x00F5 | R/W | 00000000 |
| Serial Port D Divider Low Register | SDDLRL | 0x00F6 | R/W | xxxxxxx |
| Serial Port D Divider High Register | SDDHR | 0x00F7 | R/W | 0xxxxxxx |

16.2 Dependencies

16.2.1 I/O Pins

Serial Port A can transmit on parallel port pins PC7, PC6, or PD6, and can receive on pins PC7, PD7, or PE7. If the clocked serial mode is enabled, the serial clock is either transmitted or received on PB1. When an internal clock is selected in the clocked serial mode, PB1 is automatically enabled as a clock output.

Serial Port B can transmit on parallel port pins PC5, PC4, or PD4, and can receive on pins PC5, PD5, or PE5. If the clocked serial mode is enabled, the serial clock is either transmitted or received on PB0. When an internal clock is selected in the clocked serial mode, PB0 is automatically enabled as a clock output.

Serial Port C can transmit on parallel port pins PC3 or PC2, and can receive on pins PC3, PD3, or PE3. If the clocked serial mode is enabled and 8-bit memories are used, the serial clock will be transmitted on PD2, and can be received on either PD2 or PE2. The serial clock may also be transmitted on PC7, PD7, or PE7. When 16-bit memories are used, the serial clock can be transmitted on PC7 or PE7, and can be received on PD2 or PE2.

NOTE: When Serial Port C is used as a clocked serial port and 8-bit memories are used, the serial clock is transmitted on PD2, and so PD2 will not be available for other use.

Serial Port D can transmit on parallel port pins PC1 or PC0, and can receive on pins PC1, PD1, or PE1. If the clocked serial mode is enabled and 8-bit memories are used, the serial clock will be transmitted on PD0, and can be received on either PD0 or PE0. The serial clock may also be transmitted on PC3, PD3, or PE3. When 16-bit memories are used, the serial clock can be transmitted on PC3 or PE3, and can be received on PD0 or PE0.

NOTE: When Serial Port D is used as a clocked serial port and 8-bit memories are used, the serial clock is transmitted on PD0, and so PD0 will not be available for other use.

Table 16-2. Pin Usage Serial Ports A – D

| Function | Serial Port A | Serial Port B | Serial Port C | Serial Port D |
|----------------|---------------|---------------|-------------------------|-------------------------|
| Transmit | PC7, PC6, PD6 | PC5, PC4, PD4 | PC3, PC2 | PC1, PC0 |
| Receive | PC7, PD7, PE7 | PC5, PD5, PE5 | PC3, PD3, PE3 | PC1, PD1, PE1 |
| Transmit Clock | PB1 | PB0 | PD2 (PC7, PD7, PE7)* | PD0 (PC3, PD3, PE3)* |
| Receive Clock | PB1 | PB0 | PD2, PE2 | PD0, PE0 |

* The options in parentheses may be used in addition to PD2 or PD0 for the corresponding serial port. One of the highlighted pins *not* on Parallel Port D must be used for the clocked output when you are using the serial port in the clocked serial mode and you are using 16-bit memories.

16.2.2 Clocks

The data clocks for Serial Ports A – D are based on the peripheral clock and are divided by either a Timer A divider or a dedicated 15-bit divider. In either case, the overall clock divider will be the value in the appropriate register plus one.

16.2.3 Other Registers

| Register | Function |
|--|---------------------------------|
| TAT4R | Time constant for Serial Port A |
| TAT5R | Time constant for Serial Port B |
| TAT6R | Time constant for Serial Port C |
| TAT7R | Time constant for Serial Port D |
| PCFR, PCAHR, PCALR PDFR, PDAHR, PDALR PEFR, PEAHR, PEALR | Alternate port output selection |

16.2.4 Interrupts

A serial port interrupt can be generated whenever a byte is available in the receive buffer or when a byte is finished being transmitted out of the transmit buffer.

The serial port interrupt vectors are located in the IIR as follows.

- Serial Port A at offset 0x0C0
- Serial Port B at offset 0x0D0
- Serial Port C at offset 0x0E0
- Serial Port D at offset 0x0F0

Each of them can be set as Priority 1, 2, or 3 in SxCR, where x is A – D for the four serial ports.

16.3 Operation

16.3.1 Asynchronous Mode

The following steps explain how to set up Serial Ports A – D for asynchronous operation. The serial ports can be used by polling the status byte, but their performance will be better with an interrupt. These instructions also apply to the asynchronous operation of Serial Ports E – F.

1. Write the interrupt vector for the interrupt service routine to the internal interrupt table.
2. Set up the desired transmit pin by writing to the appropriate parallel port function register (PxFR) and alternate output register (PxALR or PxAHR).
3. Select the appropriate mode by writing to SxCR (receive input port and 7 or 8 bits). Also select the interrupt priority.
4. Select additional options by writing to SxER (parity, RZI encoding, clock polarity, and behavior during break).
5. Write the desired divider value to TATxR for the appropriate serial port, or else write a divider value to the dedicated 15-bit divider in SxDLR and SxDHR. If the dedicated divider is to be used, write a 1 to the most-significant bit of SxDHR to enable it.

A sample asynchronous serial interrupt handler is shown below for Serial Port A.

```
async_sera_isr::
    push af                ; save used registers
    ioi ld a, (SASR)      ; get status
    bit a,7                ; check if byte ready in RX buffer
    push af                ; save status for next check
    jr z, check_for_tx
rx_ready:
    ioi ld a, (SADR)      ; read byte and clear interrupt

    ; do something with byte here

check_for_tx:
    pop af
    bit a,3                ; check if TX buffer was emptied
    jr nz, done

    ; get next byte to be transmitted into A here

    ioi ld (SADR), a      ; load next byte into TX buffer and clear interrupt
done:
    pop af                ; restore used registers
    ipres
    ret
```

To transmit with an address (1) bit appended, write the data to SxAR instead of SxDR; to append a long stop (0) bit write to SxLR instead.

16.3.2 Clocked Serial Mode

The following steps explain how to set up Serial Ports A – D for the clocked serial mode. When the internal clock is selected, the Rabbit 4000 is in control of all transmit and receive operations. When an external clock is selected the other device controls all transmit and receive operation. For both situations the decision between polling and interrupt-driven methods is application dependent.

1. Write the interrupt vector for the interrupt service routine to the internal interrupt table.
2. Set up the desired data transmit and clock pins by writing to the appropriate parallel port function register (PxFR) and alternate output register (PxALR or PxAHR).
3. Select the appropriate mode by writing to SxCR (receive input port and clock source). Also select the interrupt priority.
4. Select additional options by writing to SxER (clock polarity, bit order, and clock source if external).
5. Write the desired divider value to TATxR for the appropriate serial port, or else write a divider to the dedicated 15-bit divider in SxDLR and SxDHR. If the dedicated divider is to be used, write a 1 to the most-significant bit of SxDHR to enable it.
6. There are two methods to transfer a byte:
 - write the byte to SxDR and then write 10 (or 11) to bits 6-7 of SxCR to enable the transfer;
 - write the byte to SxAR which will automatically start the transfer.If the internal clock is selected, the transmission will begin immediately; if an external clock is selected, the transmission will begin when the clock is detected.
7. To receive a byte, write 01 to bits 6-7 of SxCR to start the receive operation. If the internal clock is selected, the clock will begin immediately and the data will be read; if an external clock is selected, the receive will occur when the clock is detected.

A sample clocked serial interrupt handler is shown below for Serial Port B.

```
clocked_serb_isr:
    push af                ; save used registers
    ioi ld a, (SASR)      ; get status
    bit a,7               ; check if byte ready in RX buffer
    push af               ; save status for next check
    jr z, check_for_tx
rx_ready:
    ioi ld a, (SADR)      ; read byte and clear interrupt

    ; do something with received byte here

    ld a, 0x41            ; set bits 6-7 to 01, the other bits should
                          ; represent the desired SACR setup

    ioi ld (SACR), a     ; start a new receive operation

check_for_tx:
    pop af
    bit a,3               ; check if TX buffer was emptied
    jr nz, done

    ; get next byte to be transmitted into A here

    ioi ld (SADR), a     ; load TX buffer with next byte and clear interrupt
done:
    pop af                ; restore used registers
    ipres
    ret
```

16.4 Register Descriptions

| Serial Port x Data Register | | |
|-----------------------------|-------|--|
| | | (SADR) (Address = 0x00C0) |
| | | (SBDR) (Address = 0x00D0) |
| | | (SCDR) (Address = 0x00E0) |
| | | (SDDR) (Address = 0x00F0) |
| Bit(s) | Value | Description |
| 7:0 | Read | Returns the contents of the receive buffer. |
| | Write | Loads the transmit buffer with a data byte for transmission. |

| Serial Port x Address Register | | |
|--------------------------------|-------|--|
| | | (SAAR) (Address = 0x00C1) |
| | | (SBAR) (Address = 0x00D0) |
| | | (SCAR) (Address = 0x00E0) |
| | | (SDAR) (Address = 0x00F0) |
| Bit(s) | Value | Description |
| 7:0 | Read | Returns the contents of the receive buffer. Reading the data from this register in the clocked serial mode automatically causes the receiver to start a byte-receive operation, eliminating the need for software to issue the start-receive command. |
| | Write | Loads the transmit buffer with an address byte, marked with a “zero” address bit, for transmission. Writing the data to this register in the clocked serial mode causes the transmitter to start a byte-transmit operation, eliminating the need for the software to issue the start-transmit command. |

| Serial Port x Long Stop Register | | |
|----------------------------------|-------|--|
| | | (SALR) (Address = 0x00C2) |
| | | (SBLR) (Address = 0x00D0) |
| | | (SCLR) (Address = 0x00E0) |
| | | (SDLR) (Address = 0x00F0) |
| Bit(s) | Value | Description |
| 7:0 | Read | Returns the contents of the receive buffer. |
| | Write | Loads the transmit buffer with an address byte, marked with a “one” address bit, for transmission. |

| Serial Port x Status Register (Asynchronous Mode Only) | | | (SASR) (SBSR) (SCSR) (SDSR) | (Address = 0x00C3) (Address = 0x00D3) (Address = 0x00E3) (Address = 0x00F3) |
|---|--------------|--|--|--|
| Bit(s) | Value | Description | | |
| 7 | 0 | The receive data register is empty | | |
| | 1 | There is a byte in the receive buffer. The serial port will request an interrupt while this bit is set. The interrupt is cleared when the receive buffer is empty. | | |
| 6 | 0 | The byte in the receive buffer is data, received with a valid stop bit. | | |
| | 1 | The byte in the receive buffer is an address, or a byte with a framing error. If an address bit is not expected, and the data in the buffer is all zeros, this is a break. | | |
| 5 | 0 | The receive buffer was not overrun. | | |
| | 1 | The receive buffer was overrun. This bit is cleared by reading the receive buffer. | | |
| 4 | 0 | The byte in the receive buffer has no parity error (or was not checked for parity). | | |
| | 1 | The byte in the receive buffer had a parity error. | | |
| 3 | 0 | The transmit buffer is empty. | | |
| | 1 | The transmit buffer is not empty. The serial port will request an interrupt when the transmitter takes a byte from the transmit buffer. Transmit interrupts are cleared when the transmit buffer is written, or any value (which will be ignored) is written to this register. | | |
| 2 | 0 | The transmitter is idle. | | |
| | 1 | The transmitter is sending a byte. An interrupt is generated when the transmitter clears this bit, which occurs only if the transmitter is ready to start sending another byte and the transmit buffer is empty. | | |
| 1:0 | 00 | These bits are always zero in async mode. | | |

| Serial Port x Status Register (Clocked Serial Mode Only) | | | (SASR) (SBSR) (SCSR) (SDSR) | (Address = 0x00C3) (Address = 0x00D3) (Address = 0x00E3) (Address = 0x00F3) |
|---|--------------|--|--|--|
| Bit(s) | Value | Description | | |
| 7 | 0 | The receive data register is empty. | | |
| | 1 | There is a byte in the receive buffer. The serial port will request an interrupt while this bit is set. The interrupt is cleared when the receive buffer is empty. | | |
| 6 | 0 | This bit is always zero in the clocked serial mode. | | |
| 5 | 0 | The receive buffer was not overrun. | | |
| | 1 | The receive buffer was overrun. This bit is cleared by reading the receive buffer. | | |
| 4 | 0 | This bit is always zero in the clocked serial mode. | | |
| 3 | 0 | The transmit buffer is empty. | | |
| | 1 | The transmit buffer is not empty. The serial port will request an interrupt when the transmitter takes a byte from the transmit buffer. Transmit interrupts are cleared when the transmit buffer is written, or any value (which will be ignored) is written to this register. | | |
| 2 | 0 | The transmitter is idle. | | |
| | 1 | The transmitter is sending a byte. An interrupt is generated when the transmitter clears this bit, which occurs only if the transmitter is ready to start sending another byte and the transmit buffer is empty. | | |
| 1:0 | 00 | These bits are always zero in the clocked serial mode. | | |

| Serial Port x Control Register | | |
|---------------------------------------|--------------|--|
| | | (SACR) (Address = 0x00C4) (SBCR) (Address = 0x00D4) (SCCR) (Address = 0x00E4) (SDCR) (Address = 0x00F4) |
| Bit(s) | Value | Description |
| 7:6 | 00 | No operation. These bits are ignored in the asynchronous mode. |
| | 01 | In the clocked serial mode, start a byte-receive operation. |
| | 10 | In the clocked serial mode, start a byte-transmit operation. |
| | 11 | In the clocked serial mode, start a byte-transmit operation and a byte-receive operation simultaneously. |
| 5:4 | 00 | Parallel Port C is used for input. |
| | 01 | Parallel Port D is used for input. |
| | 10 | Parallel Port E is used for input. |
| | 11 | Disable the receiver input. |
| 3:2 | 00 | Asynchronous mode with 8 bits per character. |
| | 01 | Asynchronous mode with 7 bits per character. In this mode the most significant bit of a byte is ignored for transmit, and is always zero in receive data. |
| | 10 | Clocked serial mode with external clock. |
| | 11 | Clocked serial mode with internal clock. |
| 1:0 | 00 | The serial port interrupt is disabled. |
| | 01 | The serial port uses Interrupt Priority 1. |
| | 10 | The serial port uses Interrupt Priority 2. |
| | 11 | The serial port uses Interrupt Priority 3. |

| Serial Port x Extended Register (Asynchronous Mode Only) | | |
|---|-------|--|
| | | (SAER) (SBER) (SCER) (SDER) |
| | | (Address = 0x00C5) (Address = 0x00D5) (Address = 0x00E5) (Address = 0x00F5) |
| Bit(s) | Value | Description |
| 7:5 | 000 | Disable parity generation and checking. |
| | 001 | This bit combination is reserved and should not be used. |
| | 010 | This bit combination is reserved and should not be used. |
| | 011 | This bit combination is reserved and should not be used. |
| | 100 | Enable parity generation and checking with even parity. |
| | 101 | Enable parity generation and checking with odd parity. |
| | 110 | Enable parity generation and checking with space (always zero) parity. |
| | 111 | Enable parity generation and checking with mark (always one) parity. |
| 4 | 0 | Normal asynchronous data encoding. |
| | 1 | Enable RZI coding (3/16 bit cell IrDA-compliant). |
| 3 | 0 | Normal break operation. This option should be selected when address bits are expected. |
| | 1 | Fast break termination. At the end of break, a dummy character is written to the buffer, and the receiver can start character assembly after one bit time. |
| 2 | 0 | Asynchronous clock is 16× data rate. |
| | 1 | Asynchronous clock is 8× data rate. |
| 1 | 0 | Continue character assembly during break to allow timing the break condition. |
| | 1 | Inhibit character assembly during break. One character (all zeros, with framing error) at start and one character (garbage) at completion. |
| 0 | | This bit is ignored in the asynchronous mode. |

| Serial Port x Extended Register (Clocked Serial Mode Only) | | | (SAER) (SBER) (SCER) (SDER) | (Address = 0x00C5) (Address = 0x00D5) (Address = 0x00E5) (Address = 0x00F5) |
|---|-------|---|--------------------------------------|--|
| Bit(s) | Value | Description | | |
| 7 | 0 | Normal clocked serial operation. | | |
| | 1 | Timer-synchronized clocked serial operation. | | |
| 6 | 0 | Timer-synchronized clocked serial uses Timer B1. | | |
| | 1 | Timer-synchronized clocked serial uses Timer B2. | | |
| 5:4 | 00 | Normal clocked serial clock polarity, inactive high. Internal or external clock. | | |
| | 01 | Normal clocked serial clock polarity, inactive low. Internal clock only. | | |
| | 10 | Inverted clocked serial clock polarity, inactive low. Internal or external clock. | | |
| | 11 | Inverted clocked serial clock polarity, inactive high. Internal clock only. | | |
| 3 | 0 | Normal bit order (LSB first) for transmit and receive. | | |
| | 1 | Reverse bit order (MSB first) for transmit and receive. | | |
| 2 | 0 | Serial clock (input mode only) from Parallel Port D (SCER and SDER only). | | |
| | 1 | Serial clock (input mode only) from Parallel Port E (SCER and SDER only). | | |
| 1 | 0 | No effect on transmitter. | | |
| | 1 | Terminate current clocked serial transmission. No effect on buffer. | | |
| 0 | 0 | No effect on receiver. | | |
| | 1 | Terminate current clocked serial reception. | | |

| Serial Port x Divider Low Register | | | (SADLR) (SBDLR) (SCDLR) (SDDLRL) | (Address = 0x00C6) (Address = 0x00D6) (Address = 0x00E6) (Address = 0x00F6) |
|------------------------------------|-------|---|---|--|
| Bit(s) | Value | Description | | |
| 7:0 | | Eight LSBs of the divider that generates the serial clock for this channel. This divider is not used unless the MSB of the corresponding SxDHR is set to one. | | |

| Serial Port x Divider High Register | | |
|-------------------------------------|-------|--|
| | | (SADHR) (Address = 0x00C7) |
| | | (SBDHR) (Address = 0x00D7) |
| | | (SCDHR) (Address = 0x00E7) |
| | | (SDDHR) (Address = 0x00F7) |
| Bit(s) | Value | Description |
| 7 | 0 | Disable the serial port divider and use the output of Timer A to clock the serial port. |
| | 1 | Enable the serial port divider, and use its output to clock the serial port. The serial port divider counts modulo $n + 1$ and is clocked by the peripheral clock. |
| 6:0 | | Seven MSBs of the divider that generates the serial clock for this channel. |

17. SERIAL PORTS E – F

17.1 Overview

Serial Ports E and F are identical to each other, and their asynchronous operation is identical to that of Serial Ports A – D except for the source of the data clock, the buffer sizes, and the transmit, receive, and clock pins. Each serial port can be used in the asynchronous or the HDLC mode with an internal or external clock.

In the asynchronous mode, either 7 or 8 data bits can be transferred, and both a parity bit and/or an additional address (0) or long stop (1) bit can be appended as well. Parity and the address/long stop bits are also detected when they are received. The asynchronous mode is full-duplex.

The transmit and receive buffers of Serial Ports E and F have 4 bytes each; this reduces the interrupt overhead requirements. A serial port interrupt is generated whenever at least one byte is available in the receive buffer or whenever a byte is shifted out of the transmit buffer. The byte is available in the buffer after the final bit is sampled.

The status of each serial port is available in the Serial Port Status Registers (SxSR), and contains information on whether a received byte is available, the receive buffer was over-run, a parity error was received, and the transmit buffer is empty or busy sending a byte. The status is updated when the final bit of a received byte is sampled, or when the final bit of a transmitted byte is sent out.

Serial Ports E and F support the HDLC mode with either an internal or an external clock; separate pins may be used for the transmit and receive clocks, or the transmit and receive clocks may be combined onto a single pin. The HDLC packet flag encapsulation, flag escapes, and CRC calculation and check are handled automatically by the processor. The serial port can detect end-of-frame, short-frame, and CRC errors. Interrupts are generated by the reception of an end-of-frame, at the end of a transmission of a CRC, by an abort sequence, or by a closing flag. Transmit and receive operations are essentially automatic.

The standard CRC-CCITT polynomial ($x^{16} + x^{12} + x^5 + 1$) is implemented for the CRC, with the generator and checker preset to all ones.

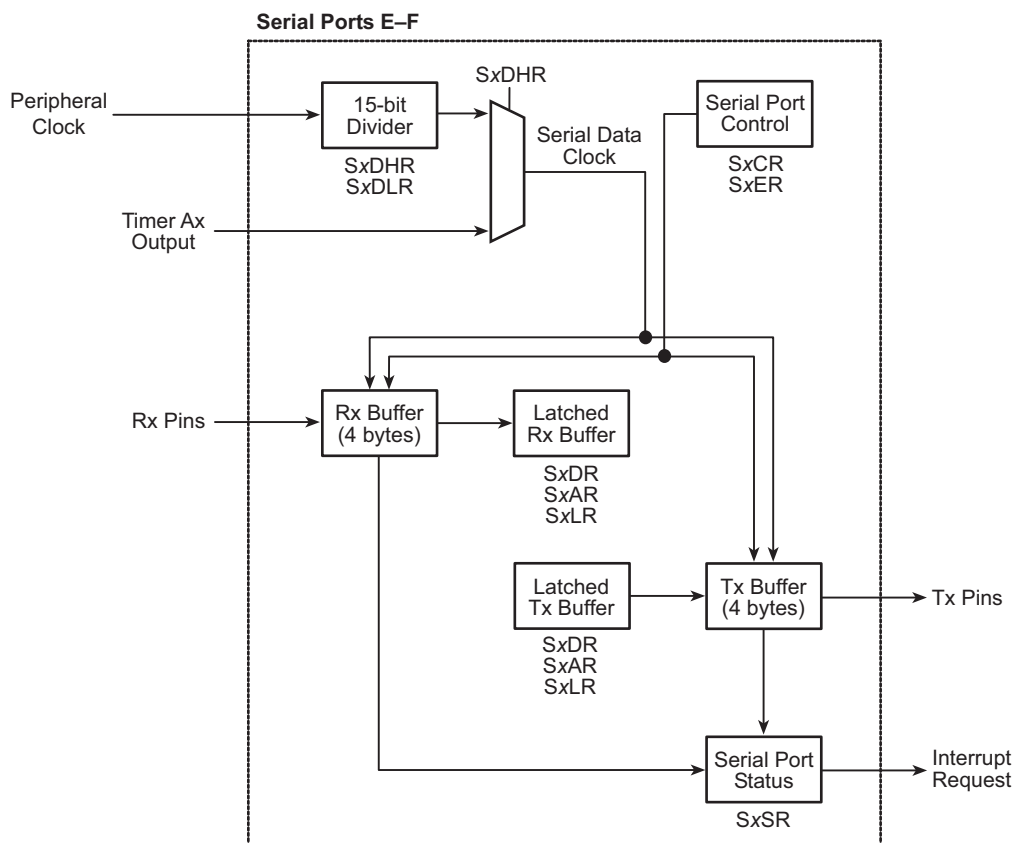
It is possible to send packets with or without a CRC appended. It is also possible to select whether an abort or flag will be transmitted if the transmitter underflows. A packet under transition can be aborted and the abort pattern sent. The idle condition of the line can be flags or all ones.

Several types of data encoding are available in HDLC mode: NRZ, NRZI, biphas-level (Manchester), biphas-space (FM0), and biphas-mark (FM1). IrDA-compliant RZI encoding is also available in HDLC mode; it reduces the bit widths to ¼ the normal width, which allows the serial-port signal to be connected directly to an IrDA transceiver.

If an internal clock is selected, the serial port data clocks can be generated from the appropriate 8-bit timer (Timer A2 for Serial Port E and Timer A3 for Serial Port F) or from a dedicated 15-bit divider. In HDLC mode, the byte data rate is equal to the data clock rate divided by 16.

When using an external clock, a 1× (same speed as the data rate) clock is supported. In this case, the maximum data rate is 1/6 of the peripheral clock rate. The receive clock is generated from the transitions in the data stream via a digital phase-locked loop (DPLL). The timing of this synchronization is adjusted with each incoming transition, allowing for tracking if the two external clocks differ slightly in frequency. For more on the clock synchronization and data encoding, see Section 17.3.3.

17.1.1 Block Diagram



17.1.2 Registers

| Register Name | Mnemonic | I/O Address | R/W | Reset |
|-------------------------------------|----------|-------------|-----|----------|
| Serial Port E Data Register | SEDR | 0x00C8 | R/W | xxxxxxx |
| Serial Port E Address Register | SEAR | 0x00C9 | W | xxxxxxx |
| Serial Port E Long Stop Register | SELR | 0x00CA | W | xxxxxxx |
| Serial Port E Status Register | SESR | 0x00CB | R | 0xx00000 |
| Serial Port E Control Register | SECR | 0x00CC | R/W | xx000000 |
| Serial Port E Extended Register | SEER | 0x00CD | R/W | 00000000 |
| Serial Port E Divider Low Register | SEDLR | 0x00CE | R/W | xxxxxxx |
| Serial Port E Divider High Register | SEDHR | 0x00CF | R/W | 0xxxxxxx |
| Serial Port F Data Register | SFDR | 0x00D8 | R/W | xxxxxxx |
| Serial Port F Address Register | SFAR | 0x00D9 | W | xxxxxxx |
| Serial Port F Long Stop Register | SFLR | 0x00DA | W | xxxxxxx |
| Serial Port F Status Register | SFSR | 0x00DB | R | 0xx00000 |
| Serial Port F Control Register | SFCR | 0x00DC | R/W | xx000000 |
| Serial Port F Extended Register | SFER | 0x00DD | R/W | 00000000 |
| Serial Port F Divider Low Register | SFDLR | 0x00DE | R/W | xxxxxxx |
| Serial Port F Divider High Register | SFDHR | 0x00DF | R/W | 0xxxxxxx |

17.2 Dependencies

17.2.1 I/O Pins

Serial Port E can transmit on parallel port pins PC6, PD6, or PE6, and can receive on pins PC7, PD7, or PE7. If the HDLC mode is enabled, the transmit serial clock is either transmitted or received on PC4, PD4, or PE4, while the receive serial clock is either transmitted or received on PC5, PD5, or PE5.

Serial Port F can transmit on parallel port pins PC2, PD2, or PE2, and can receive on pins PC3, PD3, or PE3. If the HDLC mode is enabled, the transmit serial clock is either transmitted or received on PC0, PD0, or PE0, while the receive serial clock is either transmitted or received on PC1, PD1, or PE1.

Table 17-1. Serial Ports E and F Pin Usage

| Function | Serial Port E | Serial Port F |
|----------------|---------------|---------------|
| Transmit | PC6, PD6, PE6 | PC2, PD2, PE2 |
| Receive | PC7, PD7, PE7 | PC3, PD3, PE3 |
| Transmit Clock | PC4, PD4, PE4 | PC0, PD0, PE0 |
| Receive Clock | PC5, PD5, PE5 | PC1, PD1, PE1 |

17.2.2 Clocks

The data clocks for Serial Ports E – F are based on the peripheral clock and divided by either a Timer A divider or a dedicated 15-bit divider. In either case, the overall clock divider will be the value in the appropriate register plus one.

17.2.3 Other Registers

| Register | Function |
|--|---------------------------------|
| TAT2R | Time constant for Serial Port E |
| TAT3R | Time constant for Serial Port F |
| PCFR, PCAHR, PCALR PDFR, PDAHR, PDALR PEFR, PEAHR, PEALR | Alternate port output selection |

17.2.4 Interrupts

In the asynchronous mode, a serial port interrupt can be generated whenever a byte is available in the receive buffer or when a byte is finished being transmitted out of the transmit buffer. In the HDLC mode, interrupts are also generated by the reception of an end-of-frame (with abort, valid CRC, or CRC error), at the end of a transmission of a CRC, by an abort sequence, or by a closing flag.

The serial port interrupt vectors are located in the IIR as follows.

- Serial Port E at offset 0x1C0
- Serial Port F at offset 0x1D0

Each of them can be set as Priority 1, 2, or 3 in SxCR, where x is E – F for the two serial ports.

17.3 Operation

17.3.1 Asynchronous Mode

The steps to set up Serial Ports E – F for asynchronous operation are identical to those described in Section 16.3.1 to set up Serial Ports A – D.

17.3.2 HDLC Mode

The following steps explain how to set up Serial Ports E – F for the HDLC mode. When the internal clock is selected, the Rabbit 4000 is in control of all transmit and receive operations, so an interrupt is not required. When an external clock is selected, operations can be handled by either polling the status byte or by a serial port interrupt; the performance will be better with an interrupt.

1. Write the interrupt vector for the interrupt service routine to the internal interrupt table.
2. Set up the desired data transmit and clock pins by writing to the appropriate parallel port function register (PxFR) and alternate output register (PxALR or PxAHR).
3. Select the appropriate mode by writing to SxCR (receive input port and clock source). Also select the interrupt priority.
4. Select additional options by writing to SxER (data encoding, idle line condition, under-run behavior, and combined or separate clocks).
5. Write the desired divider value to TATxR for the appropriate serial port, or else write a divider to the dedicated 15-bit divider in SxDLR and SxDHR. If the dedicated divider is to be used, write a 1 to the most-significant bit of SxDHR to enable it. In either case, the overall clock divider will be the value in the appropriate register plus one.
6. To start transmission of a packet, write the first byte to SxDR. If internal clock is selected, the transmission will begin immediately; if an external clock is selected the transmission will begin when the clock is detected.
7. Continue writing bytes when space is available in the transmit buffer until the final byte of the packet. If a CRC is to be appended to the packet, write the final byte to SxAR. If no CRC is required, write the final byte to SxLR and just a closing flag will be appended. If it is desirable to abort the current packet, write 11 to bits 6–7 of SxCR, and an abort pattern will be transmitted.
8. The receiver will be synchronized on flag bytes and will reset the CRC. By monitoring the received bytes, decisions can be made about the incoming packet; if it is not desired (i.e., it is not addressed to this device), writing a 01 to bits 6–7 of SxCR will force the receiver back into the flag search mode.

A sample HDLC interrupt handler is shown below for Serial Port E.

```

hdlc_sere_isr::
    push af
    ioi ld a, (SESR)    ; get status
    bit a,7            ; check if byte ready in RX buffer
    push af           ; save status for next check
    jr z, check_for_tx
rx_ready:

    ; check status byte in A for abort or invalid CRC flags

    ioi ld a, (SADR)    ; read byte and clear interrupt

    ; store byte in A here

check_for_tx:
    pop af
    bit a,3            ; check if TX buffer was emptied
    jr nz, done

    ; check status byte in A for transmit finish reason (CRC, abort, etc.)

    ; get next byte to be transmitted into A here; if it is the last
    ; byte of the packet, load it into SEAR or SELR instead

    ioi ld (SEDR), a    ; load next byte into buffer and clear interrupt
done:
    pop af
    ipres
    ret

```

17.3.3 More on Clock Synchronization and Data Encoding

The transmitter is not capable of sending an arbitrary number of bits, but only a multiple of bytes. However, the receiver can receive frames of any bit length. If the last “byte” in the frame is not eight bits, the receiver sets a status flag that is buffered along with this last byte. Software can then use the table below to determine the number of valid data bits in this last “byte.” Note that the receiver transfers all bits between the opening and closing flags, except for the inserted zeros, to the receiver data buffer.

| Last Byte Bit Pattern | Valid Data Bits |
|-----------------------|-----------------|
| bbbbbbb0 | 7 |
| bbbbbb01 | 6 |
| bbbb011 | 5 |
| bbb0111 | 4 |
| bb01111 | 3 |
| b011111 | 2 |
| 0111111 | 1 |

Several types of data encoding are available in the HDLC mode. In addition to the normal NRZ, they are NRZI, biphas-level (Manchester), biphas-space (FM0), and biphas-mark (FM1). Examples of these encodings are shown below. Note that the signal level does not convey information in NRZI, biphas-space, and biphas-mark. Instead it is the placement of the transitions that determine the data. In biphas-level it is the polarity of the transition that determines the data.

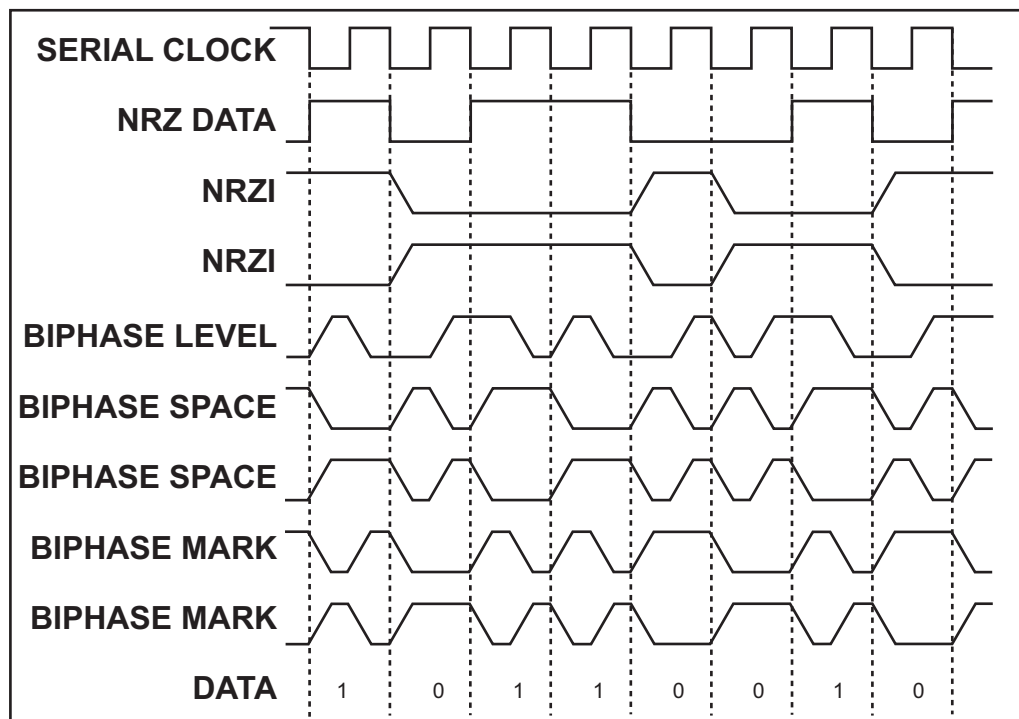


Figure 17-1. Examples of Data Encoding In the HDLC Mode

In the HDLC mode the internal clock comes from the output of Timer A2/Timer A3 or the dedicated divider. The timer/divider output is divided by 16 to form the transmit clock, and is fed to the digital phase-locked loop (DPLL) to form the receive clock. The DPLL is basically just a divide-by-16 counter that uses the timing of the transitions on the receive data stream to adjust its count. The DPLL adjusts the count so that the DPLL output will be properly placed in the bit cells to sample the receive data. To work properly, then, transitions are required in the receive data stream. NRZ data encoding does not guarantee transitions in all cases (a long string of zeros, for example), but the other data encodings do. NRZI guarantees transitions because of the inserted zeros, and the biphas encodings all have at least one transition per bit cell.

The DPLL counter normally counts by 16, but if a transition occurs earlier or later than expected, the count will be modified during the next count cycle. If the transition occurs earlier than expected, it means that the bit cell boundaries are early with respect to the DPLL-tracked bit-cell boundaries, so the count is shortened by either one or two counts. If the transition occurs later than expected, it means that the bit-cell boundaries are late with

respect to the DPLL-tracked bit-cell boundaries, so the count is lengthened by either one or two counts. The decision to adjust by one or by two depends on how far off the DPLL-tracked bit cell boundaries are. This tracking allows for minor differences in the transmit and receive clock frequencies.

With NRZ and NRZI data encoding, the DPLL counter runs continuously, and adjusts after every receive data transition. Since NRZ encoding does not guarantee a minimum density of transitions, the difference between the sending data rate and the DPLL output clock rate must be very small, and depends on the longest possible run of zeros in the received frame. NRZI encoding guarantees at least one transition every six bits (with the inserted zeros). Since the DPLL can adjust by two counts every bit cell, the maximum difference between the sending data rate and the DPLL output clock rate is $1/48$ (~2%).

With biphasic data encoding (either biphasic-level, biphasic-mark, or biphasic-space), the DPLL runs only as long as transitions are present in the receive data stream. Two consecutive missed transitions causes the DPLL to halt operation and wait for the next available transition. This mode of operation is necessary because it is possible for the DPLL to lock onto the optional transitions in the receive data stream. Since they are optional, they will eventually not be present, and the DPLL can attempt to lock onto the required transitions. Since the DPLL can adjust by one count every bit cell, the maximum difference between the sending data rate and the DPLL output clock rate is $1/16$ (~6%).

With biphasic data encoding, the DPLL is designed to work in multiple-access conditions where there might not be flags on an idle line. The DPLL will generate an output clock correctly based on the first transition in the leading zero of an opening flag. Similarly, only the completion of the closing flag is necessary for the DPLL to provide the extra two clocks to the receiver to assemble the data correctly. The transition is specified as follows.

- In the biphasic-level mode this means the transition that defines the last zero of the closing flag.
- In the biphasic-mark and the biphasic-space modes this means the transition that defines the end of the last zero of the closing flag.

Figure 17-2 shows the adjustment ranges and output clock for the different modes of operation of the DPLL. Each mode of operation will be described in turn.

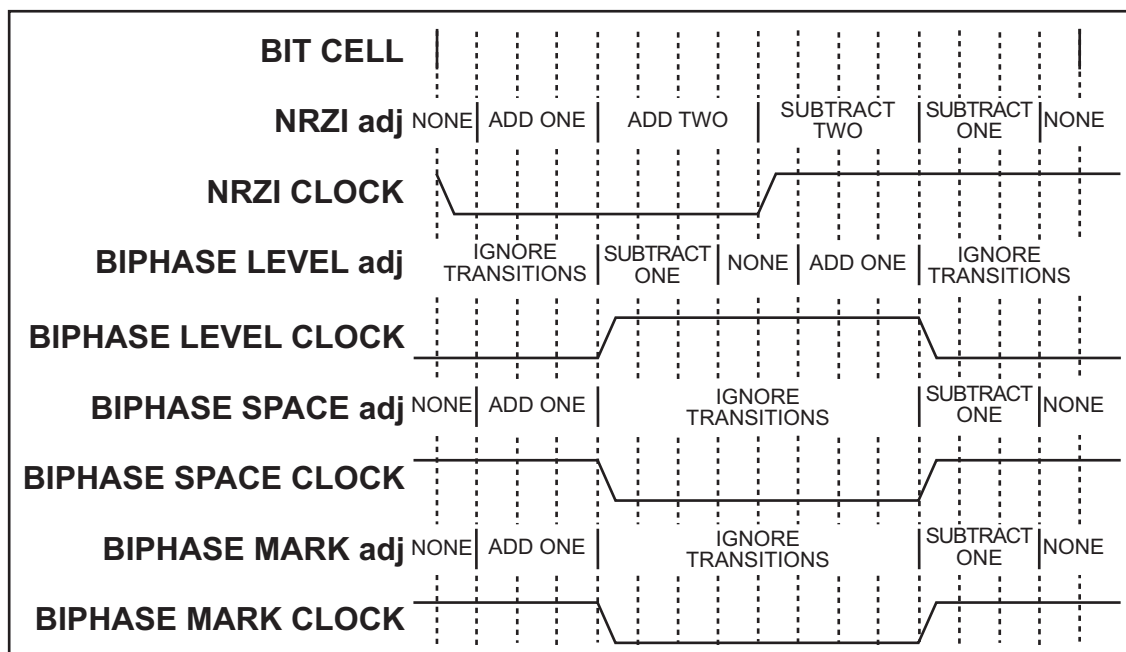


Figure 17-2. Adjustment Ranges and Output Clock for Different DPLL Modes

With NRZ and NRZI encoding, all transitions occur on bit-cell boundaries and the data should be sampled in the middle of the bit cell. If a transition occurs after the expected bit-cell boundary (but before the midpoint), the DPLL needs to lengthen the count to line up the bit-cell boundaries. This corresponds to the “add one” and “add two” regions shown. If a transition occurs before the bit-cell boundary (but after the midpoint), the DPLL needs to shorten the count to line up the bit-cell boundaries. This corresponds to the “subtract one” and “subtract two” regions shown. The DPLL makes no adjustment if the bit-cell boundaries are lined up within one count of the divide-by-16 counter. The regions that adjust the count by two allow the DPLL to synchronize faster to the data stream when starting up.

With biphase-level encoding, there is a guaranteed “clock” transition at the center of every bit cell and optional “data” transitions occur at the bit cell boundaries. The DPLL only uses the clock transitions to track the bit-cell boundaries by ignoring all transitions occurring outside a window around the center of the bit cell. This window is half a bit cell wide. Additionally, because the clock transitions are guaranteed, the DPLL requires that they always be present. If no transition is found in the window around the center of the bit cell for two successive bit cells, the DPLL is not in lock and immediately enters the search mode. The search mode assumes that the next transition seen is a clock transition and immediately synchronizes to this transition. No clock output is provided to the receiver during the search operation. Decoding biphase-level data requires that the data be sampled at either the quarter or three-quarter point in the bit cell. The DPLL here uses the quarter point to sample the data.

Biphase-mark encoding and biphase-space encoding are identical as far as the DPLL is concerned, and are similar to biphase-level encoding. The primary difference is the placement of the clock and data transitions. With these encodings the clock transitions are at the bit-cell boundary, the data transitions are at the center of the bit cell, and the DPLL operation is adjusted accordingly. Decoding biphase-mark or biphase-space encoding requires that the data be sampled by both edges of the recovered receive clock.

17.4 Register Descriptions

| Serial Port x Data Register | | (SEDR) (SFDR) | (Address = 0x00C8) (Address = 0x00D8) |
|------------------------------------|--------------|--|--|
| Bit(s) | Value | Description | |
| 7:0 | Read | Returns the contents of the receive buffer. | |
| | Write | Loads the transmit buffer with a data byte for transmission. | |

| Serial Port x Address Register | | (SEAR) (SFAR) | (Address = 0x00C8) (Address = 0x00D8) |
|---------------------------------------|--------------|---|--|
| Bit(s) | Value | Description | |
| 7:0 | Read | Returns the contents of the receive buffer. | |
| | Write | Loads the transmit buffer with an address byte, marked with a “zero” address bit, for transmission. In the HDLC mode, the last byte of a frame must be written to this register to enable subsequent CRC and closing flag transmission. | |

| Serial Port x Long Stop Register | | (SELR) (SFLR) | (Address = 0x00C8) (Address = 0x00D8) |
|---|--------------|--|--|
| Bit(s) | Value | Description | |
| 7:0 | Read | Returns the contents of the receive buffer. | |
| | Write | Loads the transmit buffer with an address byte, marked with a “one” address bit, for transmission. | |

| Serial Port x Status Register (Asynchronous Mode Only) | | (SESR) (SFSR) | (Address = 0x00CB) (Address = 0x00DB) |
|---|--------------|--|--|
| Bit(s) | Value | Description | |
| 7 | 0 | The receive data register is empty | |
| | 1 | There is a byte in the receive buffer. The serial port will request an interrupt while this bit is set. The interrupt is cleared when the receive buffer is empty. | |
| 6 | 0 | The byte in the receive buffer is data, received with a valid stop bit. | |
| | 1 | The byte in the receive buffer is an address, or a byte with a framing error. If an address bit is not expected, and the data in the buffer is all zeros, this is a break. | |
| 5 | 0 | The receive buffer was not overrun. | |
| | 1 | The receive buffer was overrun. This bit is cleared by reading the receive buffer. | |
| 4 | 0 | The byte in the receive buffer has no parity error (or was not checked for parity). | |
| | 1 | The byte in the receive buffer had a parity error. | |
| 3 | 0 | The transmit buffer is empty. | |
| | 1 | The transmit buffer is not empty. The serial port will request an interrupt when the transmitter takes a byte from the transmit buffer. Transmit interrupts are cleared when the transmit buffer is written, or any value (which will be ignored) is written to this register. | |
| 2 | 0 | The transmitter is idle. | |
| | 1 | The transmitter is sending a byte. An interrupt is generated when the transmitter clears this bit, which occurs only if the transmitter is ready to start sending another byte and the transmit buffer is empty. | |
| 1:0 | 00 | These bits are always zero in async mode. | |

| Serial Port x Status Register (HDLC Mode Only) | | (SESR) (SFSR) | (Address = 0x00CB) (Address = 0x00DB) |
|---|--------------|---|--|
| Bit(s) | Value | Description | |
| 7 | 0 | The receive data register is empty | |
| | 1 | There is a byte in the receive buffer. The serial port will request an interrupt while this bit is set. The interrupt is cleared when the receive buffer is empty. | |
| 6,4 | 00 | The byte in the receive buffer is data. | |
| | 01 | The byte in the receive buffer was followed by an abort. | |
| | 10 | The byte in the receive buffer is the last in the frame, with valid CRC. | |
| | 11 | The byte in the receive buffer is the last in the frame, with a CRC error. | |
| 5 | 0 | The receive buffer was not overrun. | |
| | 1 | The receive buffer was overrun. This bit is cleared by reading the receive buffer. | |
| 3 | 0 | The transmit buffer is empty. | |
| | 1 | The transmit buffer is not empty. The serial port will request an interrupt when the transmitter takes a byte from the transmit buffer, unless the byte is marked as the last in the frame. Transmit interrupts are cleared when the transmit buffer is written, or when any value (which will be ignored) is written to this register. | |
| 2:1 | 00 | Transmit interrupt due to buffer empty condition. | |
| | 01 | Transmitter finished sending CRC. An interrupt is generated at the end of the CRC transmission. Data written in response to this interrupt will cause only one flag to be transmitted between frames, and no interrupt will be generated by this flag. | |
| | 10 | Transmitter finished sending an abort. An interrupt is generated at the end of an abort transmission. | |
| | 11 | The transmitter finished sending a closing flag. Data written in response to this interrupt will cause at least two flags to be transmitted between frames. | |
| 0 | 0 | The byte in the receiver buffer is 8 bits. | |
| | 1 | The byte in the receiver buffer is less than 8 bits. | |

| Serial Port x Control Register | | | (SECR) | (Address = 0x00CC) |
|---------------------------------------|--------------|---|---------------|---------------------------|
| | | | (SFCR) | (Address = 0x00DC) |
| Bit(s) | Value | Description | | |
| 7:6 | 00 | No operation. These bits are ignored in the asynchronous mode. | | |
| | 01 | In HDLC mode, force receiver in flag search mode. | | |
| | 10 | No operation. | | |
| | 11 | In HDLC mode, transmit an abort pattern. | | |
| 5:4 | 00 | Parallel Port C is used for data (and optional clock) input. | | |
| | 01 | Parallel Port D is used for data (and optional clock) input. | | |
| | 10 | Parallel Port E is used for data (and optional clock) input. | | |
| | 11 | Disable the receiver data input. Clocks from Parallel Port E. | | |
| 3:2 | 00 | Asynchronous mode with 8 bits per character. | | |
| | 01 | Asynchronous mode with 7 bits per character. In this mode the most significant bit of a byte is ignored for transmit, and is always zero in receive data. | | |
| | 10 | HDLC mode with external clock. The external clocks are supplied via parallel port pins. | | |
| | 11 | HDLC mode with internal clock. The clock is 16× the data rate, and the DPLL is used to recover the receive clock. If necessary, the receiver and transmitter clocks can be output via parallel port pins. | | |
| 1:0 | 00 | The serial port interrupt is disabled. | | |
| | 01 | The serial port uses Interrupt Priority 1. | | |
| | 10 | The serial port uses Interrupt Priority 2. | | |
| | 11 | The serial port uses Interrupt Priority 3. | | |

| Serial Port x Extended Register (Asynchronous Mode Only) | | (SEER) (SFER) | (Address = 0x00CD) (Address = 0x00DD) |
|---|--------------|--|--|
| Bit(s) | Value | Description | |
| 7:5 | 000 | Disable parity generation and checking. | |
| | 001 | This bit combination is reserved and should not be used. | |
| | 010 | This bit combination is reserved and should not be used. | |
| | 011 | This bit combination is reserved and should not be used. | |
| | 100 | Enable parity generation and checking with even parity. | |
| | 101 | Enable parity generation and checking with odd parity. | |
| | 110 | Enable parity generation and checking with space (always zero) parity. | |
| | 111 | Enable parity generation and checking with mark (always one) parity. | |
| 4 | 0 | Normal asynchronous data encoding. | |
| | 1 | Enable RZI coding (3/16 bit cell IrDA-compliant). | |
| 3 | 0 | Normal break operation. This option should be selected when address bits are expected. | |
| | 1 | Fast break termination. At the end of break, a dummy character is written to the buffer, and the receiver can start character assembly after one bit time. | |
| 2 | 0 | Asynchronous clock is 16× data rate. | |
| | 1 | Asynchronous clock is 8× data rate. | |
| 1 | 0 | Continue character assembly during break to allow timing the break condition. | |
| | 1 | Inhibit character assembly during break. One character (all zeros, with framing error) at start and one character (garbage) at completion. | |
| 0 | | This bit is ignored in the asynchronous mode. | |

| Serial Port x Extended Register (HDLC Mode Only) | | (SEER) (SFER) | (Address = 0x00CD) (Address = 0x00DD) |
|---|--------------|---|--|
| Bit(s) | Value | Description | |
| 7:5 | 000 | NRZ data encoding for HDLC receiver and transmitter. | |
| | 010 | NRZI data encoding for HDLC receiver and transmitter. | |
| | 100 | Biphase-level (Manchester) data encoding for HDLC receiver and transmitter. | |
| | 110 | Biphase-space data encoding for HDLC receiver and transmitter. | |
| | 111 | Biphase-mark data encoding for HDLC receiver and transmitter. | |
| 4 | 0 | Normal HDLC data encoding. | |
| | 1 | Enable RZI coding (¼ bit cell IrDA-compliant). This mode can only be used with an internal clock and NRZ data encoding. | |
| 3 | 0 | Idle line condition is flags. | |
| | 1 | Idle line condition is all ones. | |
| 2 | 0 | Transmit flag on underrun. | |
| | 1 | Transmit abort on underrun. | |
| 1 | 0 | Separate HDLC external receive and transmit clocks. | |
| | 1 | Combined HDLC external and transmit clock, from transmit clock pin. | |
| 0 | | This bit is ignored in HDLC mode. | |

| Serial Port x Divider Low Register | | (SEDLR) (SFDLR) | (Address = 0x00CE) (Address = 0x00DE) |
|---|--------------|---|--|
| Bit(s) | Value | Description | |
| 7:0 | | Eight LSBs of the divider that generates the serial clock for this channel. This divider is not used unless the MSB of the corresponding SxDHR is set to one. | |

| Serial Port x Divider High Register | | (SEDHR) (SFDHR) | (Address = 0x00CF) (Address = 0x00DF) |
|--|--------------|--|--|
| Bit(s) | Value | Description | |
| 7 | 0 | Disable the serial port divider and use the output of Timer A to clock the serial port. | |
| | 1 | Enable the serial port divider, and use its output to clock the serial port. The serial port divider counts modulo $n + 1$ and is clocked by the peripheral clock. | |
| 6:0 | | Seven MSBs of the divider that generates the serial clock for this channel. | |

18. SLAVE PORT

18.1 Overview

The slave port is a parallel communication port that can be used to communicate with an external master device. The slave port consists of three data input and data output registers, and a status register.

The data input registers are written by the master (the external device) and are read by the processor. The data output registers are written by the processor and are read by the master. Note that the data registers are named from the point of view of the processor. The slave device can only read the data input registers and write to the data output registers. Similarly, the master device can only read the data input registers and write the data output registers. Both devices can read and write to the status register.

The status register contains the interrupt status bits and a status flag corresponding to each data input or data output register to indicate the empty or full status of the data register. Data registers are marked full when written by the source side of the interface, and are marked empty when read by the destination side of the interface.

The hardware interface to the external master consists of an 8-bit bidirectional data bus with a read strobe, write strobe, and chip select. There are two address lines that select one of the three data registers or the status register.

Table 18-1. Slave Port Addresses

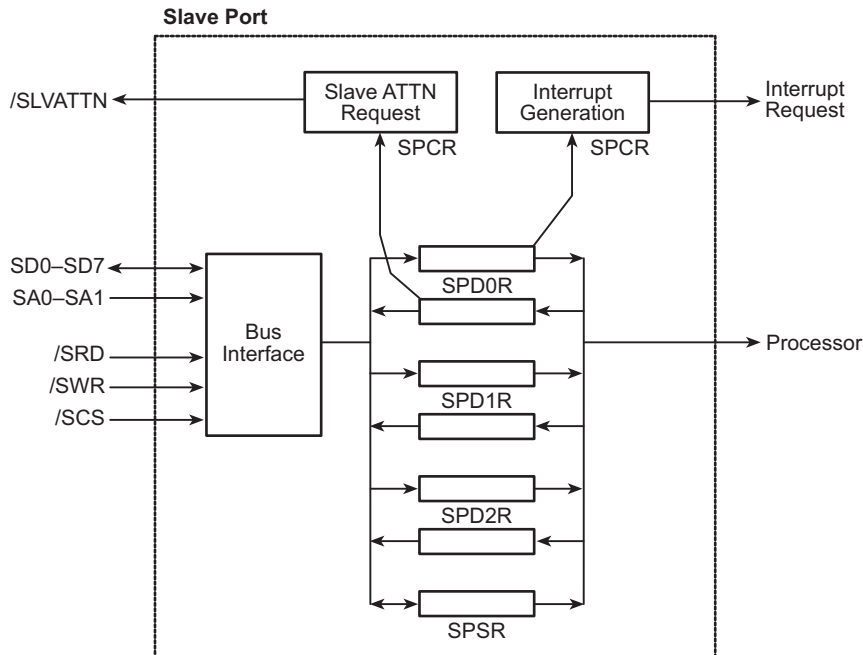
| Slave Port Address | Slave Port Register |
|--------------------|---------------------|
| 00 | Data Register 0 |
| 01 | Data Register 1 |
| 10 | Data Register 2 |
| 11 | Status Register |

A slave attention signal is asserted when the processor writes to one of the slave port data registers (SPDOR), and can be deasserted by the master by performing a dummy write to the status register. This signal can be used to interrupt the master to indicate that the master needs to read data from the slave.

The slave port interrupt is asserted when the master writes to SPDOR. The processor clears this interrupt condition by writing to the status register.

The slave port can be used to bootstrap the processor by setting the SMODE pins appropriately. See Chapter 3 for more information on this mode.

18.1.1 Block Diagram



18.1.2 Registers

| Register Name | Mnemonic | I/O Address | R/W | Reset |
|-----------------------------|----------|-------------|-----|---------|
| Slave Port Data 0 Register | SPD0R | 0x0020 | R/W | xxxxxxx |
| Slave Port Data 1 Register | SPD1R | 0x0021 | R/W | xxxxxxx |
| Slave Port Data 2 Register | SPD2R | 0x0022 | R/W | xxxxxxx |
| Slave Port Status Register | SPSR | 0x0023 | R | 0000000 |
| Slave Port Control Register | SPCR | 0x0024 | R/W | 0xx0000 |

18.2 Dependencies

18.2.1 I/O Pins

When the slave port is enabled by writing to SPCR, the following pins are enabled for slave port mode. Note that enabling the slave port mode will override any general-purpose I/O or auxiliary I/O bus settings for these pins; when the slave port is enabled they will perform slave port functionality.

Table 18-2. Slave Port Pin Functionality

| Pin(s) | Slave Port Signal | Direction | Functionality |
|---------|-------------------|---------------|----------------------------------|
| PA0–PA7 | SD0–SD7 | Bidirectional | Slave data bus |
| PB7 | /SLVATTN | Output | Slave interrupt request (output) |
| PB6 | /SCS | Input | Slave chip select |
| PB4–PB5 | SA0–SA1 | Input | Slave address bus |
| PB3 | /SRD | Input | Slave port read strobe |
| PB2 | /SWR | Input | Slave port write strobe |
| PE7 | /SCS | Input | Alternate slave chip select |

18.2.2 Clocks

All slave port operations are based on the processor clock.

18.2.3 Interrupts

A slave port interrupt occurs on the slave device whenever the master writes to SPDOR. The /SLVATTN pin is asserted whenever the slave device writes to SPDOR. Either if these conditions is cleared when either the master or slave reads or writes any of the slave port registers.

The slave port interrupt vector is in the IIR at offset 0x080. It can be set as Priority 1, 2, or 3 by writing to SPCR.

18.3 Operation

Figure 18-1 shows a typical slave port connection between a Rabbit processor as the master and two slaves.

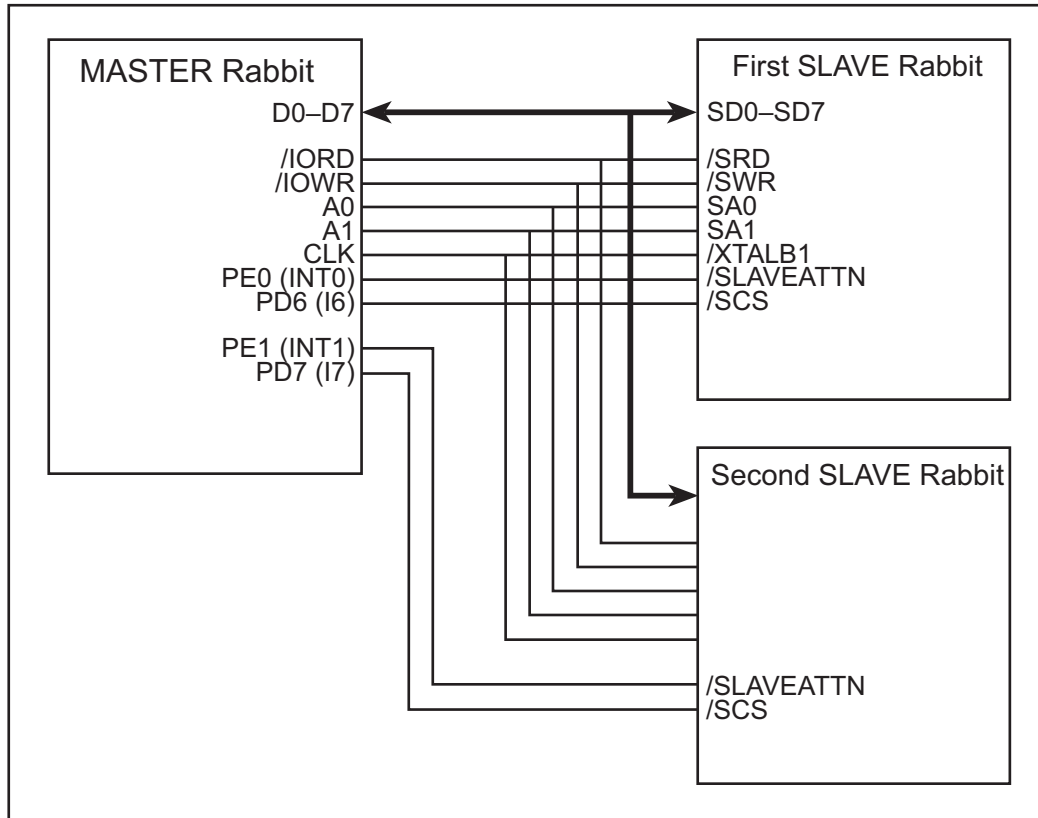


Figure 18-1. Master/Slave Port Connections

These connections are summarized in Table 18-3.

Table 18-3. Typical Slave Port Connections

| Master | | Slave #1 | | Slave #2 | |
|---|-------|----------|---------|----------|---------|
| Data Bus | D0–D7 | SD0–SD7 | PA0–PA7 | SD0–SD7 | PA0–PA7 |
| Address Bus | A0–A1 | SA0–SA1 | PB4–PB5 | SA0–SA1 | PB4–PB5 |
| I/O Read Strobe | /IORD | /SRD | PB3 | /SRD | PB3 |
| I/O Write Strobe | /IOWR | /SWR | PB2 | /SWR | PB2 |
| Slave #1 Chip Select (I/O strobe I6) | PD6 | /SCS | PB6 | — | — |
| Slave #2 Chip Select (I/O strobe I7) | PD7 | — | — | /SCS | PB6 |
| External Interrupt 0 (from Slave #1) | PE0 | /SLVATTN | PB7 | — | — |
| External Interrupt 1 (from Slave #2) | PE1 | — | — | /SLVATTN | PB7 |

Note that the slave port on the master Rabbit processor is *not* used; the master uses the data bus to send and receive data to the slave port data registers on the slave devices.

In this setup, pins PD6 and PD7 are set up as I/O strobe chip selects for the two slave devices, and PE0 and PE1 are used as external interrupt inputs to monitor the /SLVATTN signals from the slaves.

In this setup, the slave port is used as follows:

- The slave responds to the interrupt and reads the slave port data registers.
- When the slave wishes to send data to the master, it writes the slave port data registers, writing SPD0R last, which enables the /SLVATTN signal.
- When the master detects the change on /SLVATTN, it reads the slave port data registers.

18.3.1 Master Setup

1. Enable the I/O strobes on PD6 and PD7 by writing to the appropriate Parallel Port D pin and external I/O registers.
2. Enable the external interrupts on PE0 and PE1 by writing to the appropriate external interrupt registers.

18.3.2 Slave Setup

1. Write the vector to the interrupt service routine to the internal interrupt table.
2. Configure SPCR to select the interrupt priority (note that interrupts will be enabled once this value is set).

18.3.3 Master/Slave Communication

1. The master writes data to the appropriate external I/O address on the data bus for the slave device and register desired. For example, in the setup described here, the master would write to register SPD2R on the first slave by writing to the address 0xC002 (0xC000 for the I6 strobe, and 0x0002 for SPD2R on that slave).
2. If the master is writing multiple bytes, it should write to SPD0R last since that will trigger an interrupt on the slave device. If only one byte is being sent, it should be written to SPD0R.
3. The slave responds to the interrupt, reading the data from the slave port data registers.

18.3.4 Slave/Master Communication

1. The slave writes data to the appropriate slave port data register. If it is writing multiple bytes, SPD0R should be written last, which enables the /SLVATTN line.
2. The master receives an external interrupt from the /SLVATTN line, and reads the data out of the slave port data registers via external I/O reads on the data bus.

18.3.5 Handling Interrupts

The interrupt request on the slave is cleared by either the master or the slave accessing one of the slave port registers. To clear the interrupt without affecting the register values, a dummy write can be made to SPSR.

18.3.6 Example ISR

A sample interrupt handler is shown below.

```
slave_isr::
    push af                ; save used registers

    ; read the data sent by the master
    ioi ld a, (SPD2R)
    ld (to_slv_d2), a
    ioi ld a, (SPD1R)
    ld (to_slv_d1), a
    ioi ld a, (SPD0R)
    ld (to_slv_d0), a

    ; if a response is required, perform it here
    ld a, (to_mas_d2)
    ioi ld (SPD2R), a
    ld a, (to_mas_d1)
    ioi ld (SPD1R), a
    ld a, (to_mas_d0)
    ioi ld (SPD0R), a    ; this write asserts /SLVATTN

    ; the interrupt request is cleared by any read/write of the registers

    pop af                ; restore used registers
    ipres
    ret
```


18.3.7 Other Configurations

There are other slave port configurations possible:

- The master could use the auxiliary I/O bus instead of the memory bus.
- All devices could poll the slave port status register to determine when data is present instead of relying on interrupts.
- The master could write to SPD0R, triggering an interrupt on the slave. The slave could then simply write a response into SPD0R, which the master detects by polling SPSR. This configuration is useful when fewer signals are desired, or the master device has no external interrupts available.

If polling is to be used, it is important to note that not all bits in the status register may be updated at once; it is possible to read a transitional value as the register updates. To guarantee a proper polling read, the status register should be read twice; when the same value is read both times the value is correct.

Similarly, it is possible to receive a scrambled value from a data register if it is read while being written. The protocol used should take account of this and prevent it from occurring (the protocol described above guarantees this will not occur).

18.3.8 Timing Diagrams

Figure 18-2 shows the sequence of events when the master reads/writes the slave port registers.

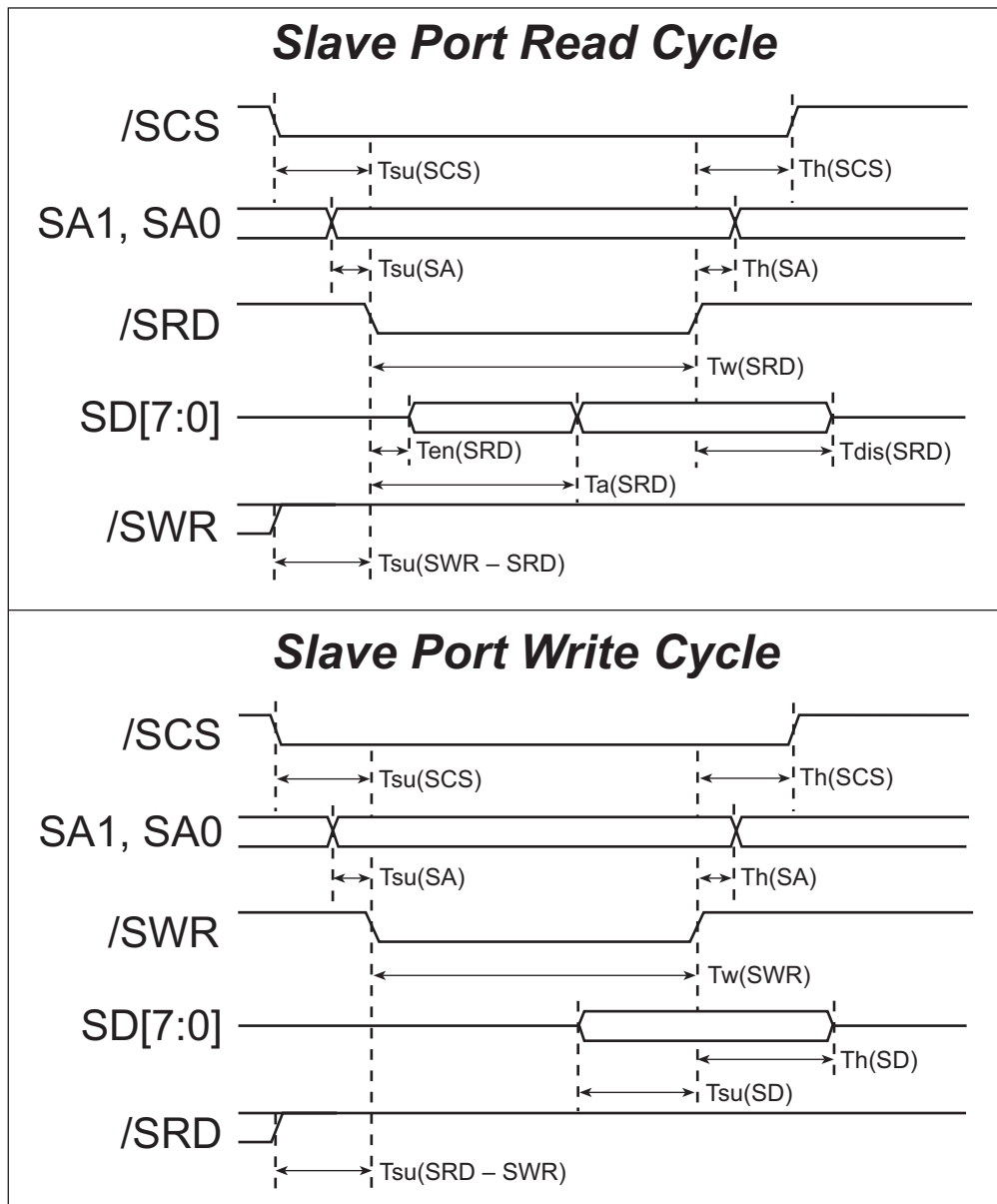


Figure 18-2. Slave Port R/W Timing Diagram

The following table explains the parameters used in Figure 18-2.

| Symbol | Parameter | Minimum (ns) | Maximum (ns) |
|----------------|----------------------------------|---------------------|---------------------|
| Tsu(SCS) | /SCS Setup Time | 5 | — |
| Th(SCS) | /SCS Hold Time | 0 | — |
| Tsu(SA) | SA Setup Time | 5 | — |
| Th(SA) | SA Hold Time | 0 | — |
| Tw(SRD) | /SRD Low Pulse Width | 40 | — |
| Ten(SRD) | /SRD to SD Enable Time | 0 | — |
| Ta(SRD) | /SRD to SD Access Time | — | 30 |
| Tdis(SRD) | /SRD to SD Disable Time | — | 15 |
| Tsu(SRW – SRD) | /SWR High to /SRD Low Setup Time | 40 | — |
| Tw(SWR) | /SWR Low Pulse Width | 40 | — |
| Tsu(SD) | SD Setup Time | 10 | — |
| Th(SD) | SD Hold Time | 5 | — |
| Tsu(SRD – SWR) | /SRD High to /SWR Low Setup Time | 40 | — |

18.4 Register Descriptions

| Slave Port Data x Registers | | (SPD0R) (SPD1R) (SPD2R) | (Address = 0x0020) (Address = 0x0021) (Address = 0x0022) |
|------------------------------------|--------------|--|---|
| Bit(s) | Value | Description | |
| 7:0 | Read | The corresponding byte of the slave port is read. | |
| | Write | The corresponding byte of the slave port is written. | |

| Slave Port Status Register | | (SPSR) | (Address = 0x0023) |
|-----------------------------------|--------------|-----------------------------------|---------------------------|
| Bit(s) | Value | Description | |
| 7 | 0 | Processor wrote to SPSR. | |
| | 1 | Master wrote to Data Register 0. | |
| 6 | 0 | Slave port read byte 2 is empty. | |
| | 1 | Slave port read byte 2 is full. | |
| 5 | 0 | Slave port read byte 1 is empty. | |
| | 1 | Slave port read byte 1 is full. | |
| 4 | 0 | Slave port read byte 0 is empty. | |
| | 1 | Slave port read byte 0 is full. | |
| 3 | 0 | Master wrote to SPSR. | |
| | 1 | Processor wrote to SPD0R. | |
| 2 | 0 | Slave port write byte 2 is empty. | |
| | 1 | Slave port write byte 2 is full. | |
| 1 | 0 | Slave port write byte 1 is empty. | |
| | 1 | Slave port write byte 1 is full. | |
| 0 | 0 | Slave port write byte 0 is empty. | |
| | 1 | Slave port write byte 0 is full. | |

| Slave Port Control Register (SPCR) (Address = 0x0024) | | |
|--|--------------|--|
| Bit(s) | Value | Description |
| 7 | 0 | Program fetch as a function of the SMODE pins. |
| | 1 | Ignore the SMODE pins program fetch function. |
| 6:5 | Read | These bits report the state of the SMODE pins. |
| | Write | These bits are ignored and should be written with zero. |
| 4:2 | 000 | Disable the slave port. Parallel Port A is a byte-wide input port. |
| | 001 | Disable the slave port. Parallel Port A is a byte-wide output port. |
| | 010 | Enable the slave port, with /SCS from Parallel Port E bit 7. |
| | 011 | Enable the auxiliary I/O bus. Parallel Port A is used for the data bus and Parallel Port B[7:2] is used for the address bus. |
| | 100 | This bit combination is reserved and should not be used. |
| | 101 | This bit combination is reserved and should not be used. |
| | 110 | Enable the slave port, with /SCS from Parallel Port B bit 6. |
| | 111 | Enable the auxiliary I/O bus. Parallel Port A is used for the data bus and Parallel Port B[7:0] is used for the address bus. |
| 1:0 | 00 | Slave port interrupts are disabled. |
| | 01 | Slave port interrupts use Interrupt Priority 1. |
| | 10 | Slave port interrupts use Interrupt Priority 2. |
| | 11 | Slave port interrupts use Interrupt Priority 3. |

19. DMA CHANNELS

19.1 Overview

There are eight independent DMA channels on the Rabbit 4000. All eight channels are identical, and are capable of transferring data to or from memory, external I/O, or internal I/O. The priority between the channels can be either fixed or rotating, and the DMA use of the bus can be limited to guarantee interrupt latency or CPU throughput. The DMA channels are capable of special handling for the last byte of data when sending data to selected internal I/O addresses (such as the HDLC serial ports or to the Ethernet peripheral), and can also transfer end-of-frame status after transferring data from selected internal I/O addresses.

The DMA channels can watch the data being transferred and can terminate a transfer when a particular byte is matched. A mask is available for the byte match to allow termination only on particular bit settings in the data instead of an exact byte match.

Memory-to-memory transfers proceed at the maximum transfer rate unless they are gated by an external request signal or the internal timed request. Transfers to or from a number of internal I/O addresses are controlled by transfer request signals. These transfer request signals are connected automatically as a function of the internal I/O address loaded into the DMA channel. Note that if both the source and the destination are internal I/O, the source transfer request is used by the DMA channel.

The DMA channels are inherently byte-oriented, so while DMA transfers can be done from a 16-bit memory, DMA transfers to a 16-bit memory can only be done if the 16-bit memory is set up to allow byte writes. See Chapter 5 for more information.

There are two inputs available for requests linked to external I/O devices. These two external requests may be assigned to any DMA channel. These requests may also be used by a channel that has an internal I/O as a destination. In this case, the external request acts as a “flow control” signal for the DMA transfers because the external request is “ANDed” with the automatically connected internal request.

To facilitate periodic DMA transfers, there is also an internal *timed request*. This request is generated from a programmable 16-bit counter and may be assigned to any DMA channel. As in the case of the external requests, this request is “ANDed” with any internal or external request that is also assigned to that DMA channel. This periodic request can be programmed to transfer one byte or an entire buffer. The single-byte option is useful for driving an output port to create a sampled waveform, while the entire-buffer option can be used, for example, to send precisely timed serial messages over a serial port.

The DMA operation is controlled by memory structures called buffer descriptors. The current buffer descriptor resides in the registers of the DMA channel, but may have been placed there either by the processor or loaded directly by the DMA channel itself. Buffer descriptors may be used singly, to transfer one block of data, or they may be linked together for “scatter-gather” operation. Each DMA channel also contains an “initial address” that points to the first buffer descriptor in memory and allows the DMA channel to rewind itself automatically in the case of a transmit retry by the network port. Each buffer descriptor contains a control byte, a byte count for the data, a source address, a destination address, and an optional link address. In addition, each DMA channel retains a count of the number of bytes remaining in the buffer to allow software to determine the amount of valid data in a buffer that are terminated early by the source of the data.

A buffer descriptor in memory consists of either 12 or 16 consecutive bytes organized as shown in Table 19-1. The DMA channel uses the information in the control byte to determine the length of the buffer descriptor as well as which information to fetch from the buffer descriptor. If no link address field is present, the buffer descriptor is only 12 bytes long. A memory address for either source or destination causes the DMA channel to fetch three bytes from the corresponding field in the buffer descriptor. An internal I/O or external I/O address for either source or destination causes the DMA channel to fetch two bytes from the corresponding field in the buffer descriptor.

DMA memory addresses are always physical addresses, and are never translated by the MMU. All DMA memory addresses use the memory control signals, wait states, and flipped bits as selected in the Master Memory Bank Control registers. All DMA external I/O addresses use the I/O control signals and wait states as selected in the external I/O registers.

The first byte in the first buffer descriptor (the byte pointed to by the initial address) is reserved for status information when transferring data from an internal serial or network device. This automatic status transfer means that the processor does not need to service any interrupts from a serial or network receiver except in the case of an error condition.

When transferring data to an internal HDLC serial or network transmitter, the last byte of the last buffer will automatically be written to a special destination address to tag the data as the last in the frame, without processor intervention. However, this function is not available in the case where the buffer contains only one byte of data. If this case should occur, the buffer descriptor must contain the special destination address.

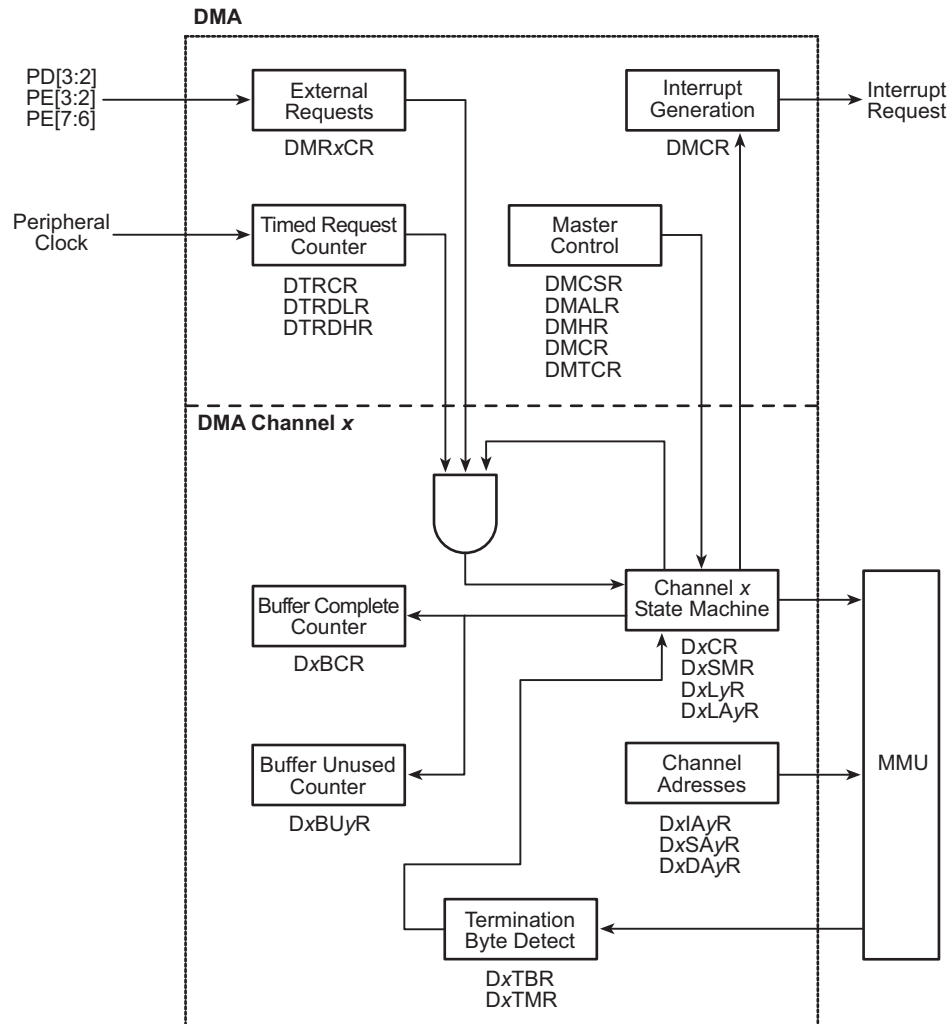
All the DMA channels request interrupts at the same priority level, which is set by a field in the DMA Master Control Register, but each DMA channel has its own interrupt vector location. This speeds up interrupt processing for the DMA interrupts by eliminating the need to resolve which DMA channel is actually requesting an interrupt.

DMA transfers may be programmed to occur at any priority level. If the programmed level is greater than or equal to the current CPU operating level, DMA transfers will occur on demand. When the CPU operating level is greater than the programmed DMA operating level, no DMA transfers can occur. This allows interrupt services routines, or other critical

code, to run with a guarantee that there will be no DMA activity during execution. Note that a simultaneous interrupt request and DMA transfer request will be resolved in favor of the DMA transfer request.

The DMA and Ethernet peripherals were optimized to work together; if the Rabbit 4000's built-in Ethernet peripheral is used it is expected that two DMA channels will be dedicated for that purpose.

19.1.1 Block Diagram



19.1.2 Registers

| Register Name | Mnemonic | I/O Address | R/W | Reset |
|--|----------|--------------------|-----|----------|
| DMA Master Control/Status Register | DMCSR | 0x0100 | R/W | 00000000 |
| DMA Master Auto-load Register | DMALR | 0x0101 | W | 00000000 |
| DMA Master Halt Register | DMHR | 0x0102 | W | 00000000 |
| DMA y Buffer Complete Register | DyBCR | 0x01y3 | R | 00000000 |
| DMA Master Control Register | DMCR | 0x0104 | R/W | 00000000 |
| DMA Master Timing Control Register | DMTCR | 0x0105 | R/W | 00000000 |
| DMA Master Request 0 Control Register | DMR0CR | 0x0106 | R/W | 00000000 |
| DMA Master Request 0 Control Register | DMR1CR | 0x0107 | R/W | 00000000 |
| DMA Timed Request Control Register | DTRCR | 0x0115 | R/W | 00000000 |
| DMA Timed Request Divider Low Register | DTRDLR | 0x0116 | R/W | xxxxxxx |
| DMA Timed Request Divider High Register | DTRDHR | 0x0117 | R/W | xxxxxxx |
| DMA y Termination Byte Register | DyTBR | 0x01y8 | R/W | xxxxxxx |
| DMA y Termination Mask Register | DyTMR | 0x01y9 | R/W | 00000000 |
| DMA y Buffer Unused [7:0] Register | DyBU0R | 0x01yA | R | 00000000 |
| DMA y Buffer Unused [15:8] Register | DyBU1R | 0x01yB | R | 00000000 |
| DMA y Initial Address [7:0] Register | DyIA0R | 0x01yC | R/W | xxxxxxx |
| DMA y Initial Address [15:8] Register | DyIA1R | 0x01yD | R/W | xxxxxxx |
| DMA y Initial Address [23:16] Register | DyIA2R | 0x01yE | R/W | xxxxxxx |
| DMA y State Machine Register | DySMR | 0x01z0 (z = y + 8) | R | 11111111 |
| DMA y Control Register | DyCR | 0x01z1 (z = y + 8) | R/W | 00000000 |
| DMA y Buffer Length [7:0] Register | DyL0R | 0x01z2 (z = y + 8) | R/W | xxxxxxx |
| DMA y Buffer Length [15:8] Register | DyL1R | 0x01z3 (z = y + 8) | R/W | xxxxxxx |
| DMA y Source Address [7:0] Register | DySA0R | 0x01z4 (z = y + 8) | W | xxxxxxx |
| DMA y Source Address [15:8] Register | DySA1R | 0x01z5 (z = y + 8) | W | xxxxxxx |
| DMA y Source Address [23:16] Register | DySA2R | 0x01z6 (z = y + 8) | W | xxxxxxx |
| DMA y Destination Address [7:0] Register | DyDA0R | 0x01z8 (z = y + 8) | W | xxxxxxx |
| DMA y Destination Address [15:8] Register | DyDA1R | 0x01z9 (z = y + 8) | W | xxxxxxx |
| DMA y Destination Address [23:16] Register | DyDA2R | 0x01zA (z = y + 8) | W | xxxxxxx |
| DMA y Link Address [7:0] Register | DyLA0R | 0x01zC (z = y + 8) | R/W | xxxxxxx |
| DMA y Link Address [15:8] Register | DyLA1R | 0x01zD (z = y + 8) | R/W | xxxxxxx |
| DMA y Link Address [23:16] Register | DyLA2R | 0x01zE (z = y + 8) | R/W | xxxxxxx |

NOTE: The y in “DMA y ...” expresses the DMA channel number (0–7).

19.2 Dependencies

19.2.1 I/O Pins

External DMA Request 0 can be enabled from pins PD2, PE2, or PE6. External DMA Request 1 can be enabled from pins PD3, PE3, or PE7.

The DMA can use either the memory management unit or the auxiliary I/O bus to perform its transfers, and so will use the appropriate pins for each operation.

19.2.2 Clocks

The DMA peripheral uses the peripheral clock for all operations. If the timed request option is enabled, then the 16-bit timed request counter will be clocked by the peripheral clock and will provide a DMA request each time it counts down to zero.

19.2.3 Interrupts

Each DMA channel has its own dedicated interrupt that can occur at the end of any DMA transfer, as specified in DyCR (normally loaded from the buffer descriptor). The interrupt request is automatically cleared when the interrupt is handled.

The DMA interrupt vectors are in the EIR starting at offset 0x080 for DMA Channel 0 and ending at offset 0x0F0 for DMA Channel 7. They can be set as Priority 1, 2, or 3.

19.3 Operation

It is possible to set up and start a DMA operation by writing directly to all the relevant address, length, and control registers, but it is expected that the typical operation would be to create a buffer descriptor in memory, write the address of that descriptor to the initial address registers (DyIAnR), and use a write to DMALR to auto-load the values from memory into the registers and start the transfer. The DMA transfer will then continue reading buffer descriptors until a buffer-marked halt is completed.

The descriptor can be either 12 or 16 bytes in length; a bit in the channel control byte (which corresponds to DyCR) selects whether the link address is present or not. The processor skips the read of those bytes if a 12-byte descriptor is selected, and always skips the reads of the bytes marked “not used.”

Table 19-1. DMA Buffer Descriptor

| | Byte 0 | Byte 1 | Byte 2 | Byte 3 |
|-------------|----------------------------|-----------------|----------------------|----------|
| Bytes 0–3 | Frame Status | Channel Control | Buffer Length [15:0] | |
| Bytes 4–7 | Source Address [23:0] | | | Not Used |
| Bytes 8–11 | Destination Address [23:0] | | | Not Used |
| Bytes 12–15 | Link Address [23:0] | | | Not Used |

It is possible to abort a DMA transfer by writing the appropriate bit to the halt register, DMHR. It is also possible to restart a DMA transfer using the already-loaded register values by writing to DMCSR.

The following steps explain how to set up a DMA channel.

1. Select the DMA transfer and interrupt priorities by writing to DMCR.
2. Select the DMA channel priority, maximum bytes per burst, and minimum clocks between bursts by writing to DMTCR.
3. Write the interrupt vector for the interrupt service routine to the external interrupt table.
4. Enable an external request line by writing to DMR0CR or DMR1CR. Make sure that the pin selected is set up as an input. Note that this enable will be logical-ANDed to any internal DMA enables if the DMA transfer is to/from an internal peripheral.
5. Enable the internal-timed transfer request by writing to DTRCR. Select the divider value by writing to DTRDLR and DTRDHR. Note that this enable will be logical-ANDed to any internal DMA enables if the DMA transfer is to/from an internal peripheral.
6. Select a byte to terminate the transfer on by writing to the appropriate DyTBR and DyTMR registers.
7. The desired control, length, and address registers should be written to a buffer descriptor (or descriptors) in memory if not done already.

8. The initial address registers (DyIAnR) should be loaded with the physical address of the first buffer descriptor.
9. The buffer descriptor can be loaded and the DMA transfer started by writing to the appropriate bit of DMALR.

19.3.1 Handling Interrupts

The DMA interrupt request is cleared automatically when the interrupt is handled. A DMA interrupt will occur at the end of a transfer for any buffer descriptor that has bit 4 of DyCR set.

19.3.2 Example ISR

A sample interrupt handler is shown below.

```

dma_isr::
    push af

    ; do something with the data in the current buffer
    ; the interrupt request is automatically cleared

    pop af
    ipres
    ret

```

19.3.3 DMA Priority with the Processor

Since the Rabbit 4000 DMA uses the memory management unit to perform transfers, normal code execution cannot occur while the DMA is active. This includes handling interrupts, so it is important to limit the amount of time that the DMA can operate.

This is handled in several ways. First of all, the DMA transfers can be set to take place whenever the processor is operating at one of the four priority levels, 0–3 (note that there is a single priority level for all DMA transfers). Setting an interrupt priority to something greater than the DMA transfer priority will ensure that no DMA activity occurs during that interrupt handler. Note that when both an interrupt and a DMA transfer are pending, the DMA transfer will be selected for execution first (provided its priority is equal or greater than the current processor priority level).

Table 19-2. DMA Transfer Priority

| DMA Transfers at | Operation |
|------------------|--|
| Priority 0 | DMA transfers only allowed when processor priority at 0 |
| Priority 1 | DMA transfers only allowed when processor priority at 0 or 1 |
| Priority 2 | DMA transfers only allowed when processor priority at 0, 1, or 2 |
| Priority 3 | DMA transfers allowed at any time |

When a DMA transfer is occurring, normal code execution will not occur until the transfer is completed. To prevent DMA transfers from excessively blocking interrupts or otherwise interfering with normal code execution, two options can be set in DMTCR. First, the maximum limit of a DMA transfer can be set from 1 to 64 bytes, which sets an upper limit on interrupt latency arising from a DMA transfer. Second, the minimum number of clocks before the DMA can be active again can be set from 12 to 512 clocks, guaranteeing processing time for the application.

The values providing roughly equal access to the memory bus for both the processor and the DMA is eight bytes per burst and 64 clocks between bursts.

When starting up, the DMA requires several cycles of overhead. This overhead comes about because the DMA actually uses part of the processor to perform the data transfers, and consists of one instruction fetch time plus three clock cycles. The byte fetched during the instruction fetch time is discarded, and will be refetched at the completion of the DMA burst. At the end of the DMA burst, two clock cycles are required before this first instruction fetch starts. An individual DMA channel transfers data without any overhead between bytes, but there is always one clock cycle of dead time when switching between DMA channels. Table 19-3 shows the number of clock cycles required per burst, assuming a single DMA channel transfer and no wait states.

Table 19-3. Maximum DMA Transfer Rates

| Setting | Total Clocks | Clocks per Byte Transferred |
|--------------------|--------------|-----------------------------|
| 1 byte per burst | 11 clocks | 11 |
| 2 bytes per burst | 15 clocks | 7.5 |
| 3 bytes per burst | 19 clocks | 6.3 |
| 4 bytes per burst | 23 clocks | 5.8 |
| 8 bytes per burst | 39 clocks | 4.9 |
| 16 bytes per burst | 71 clocks | 4.4 |
| 32 bytes per burst | 135 clocks | 4.2 |
| 64 bytes per burst | 263 clocks | 4.1 |

The total number of clocks listed in Table 19-3 is related to the number of bytes per burst by the following formula.

$$\text{Total Clocks} = 4 \times \text{Number of Bytes per Burst} + 7 \text{ (for overhead)}$$

19.3.4 DMA Channel Priority

It is possible to control the priority between separate DMA channels. There are three channel-priority options in the Rabbit 4000. The first is fixed priority after every byte where the priority of each channel is equal to its number, i.e., if both DMA Channels 3 and 4 have a pending transfer request, DMA Channel 4 will always be enabled first. If at any point a channel with higher priority than the one currently transferring has a DMA request pending, the current transfer will be terminated and the new channel's transfer will start. With this setting, DMA Channel 7 will always have priority over all other channels, and DMA Channel 0 will transfer only if no other channels have pending requests.

The other two settings rotate the priority between channels as shown in Table 19-4; after the seventh rotation, the priority sequence restarts at the top of the table. One option is to rotate priority after every byte analogous to the fixed-priority setting. The priority list is updated after each byte transferred, and if a higher priority channel has a pending request the current transfer will be terminated and the new channel transfer will start. The other option is to rotate after every burst; this will guarantee that reasonable amounts of data are transferred by each channel before a switchover occurs.

Table 19-4. Rotating DMA Channel Priority

| Rotation | Channel Priority, High to Low |
|----------------------|-------------------------------|
| Initial (and eighth) | 7, 6, 5, 4, 3, 2, 1, 0 |
| First | 6, 5, 4, 3, 2, 1, 0, 7 |
| Second | 5, 4, 3, 2, 1, 0, 7, 6 |
| Third | 4, 3, 2, 1, 0, 7, 6, 5 |
| Fourth | 3, 2, 1, 0, 7, 6, 5, 4 |
| Fifth | 2, 1, 0, 7, 6, 5, 4, 3 |
| Sixth | 1, 0, 7, 6, 5, 4, 3, 2 |
| Seventh | 0, 7, 6, 5, 4, 3, 2, 1 |

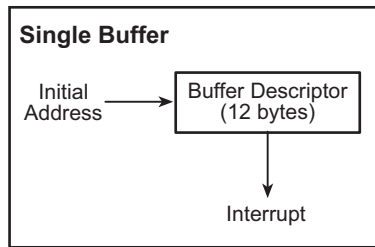
19.3.5 Buffer Descriptor Modes

Flags in the control byte of a buffer descriptor (which gets loaded into DyCR) describe whether to halt on completion of the transfer (or load another descriptor) and whether the next descriptor is adjacent in memory (which implies that the current descriptor is only 12 bytes long) or located at the link address. Each descriptor can also be set to generate an interrupt on completion of the transfer. By using these options in various ways, the Rabbit 4000 DMA can be operated in a number of conventional DMA modes.

The most common options are described here; others are certainly possible by different use of the available linking methods.

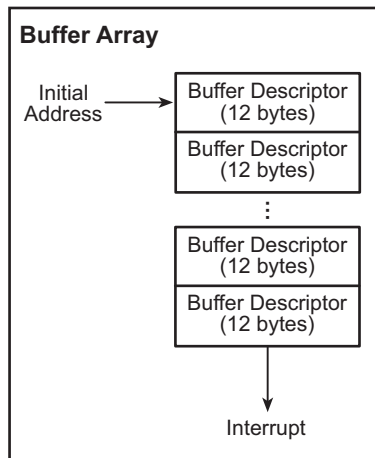
19.3.5.1 Single Buffer

In the simplest mode, a single descriptor is set to halt and interrupt on completion.



19.3.5.2 Buffer Array

In this mode, an array of 12-byte descriptors is set up adjacent in memory; only the last buffer is set to halt on completion. The last buffer is also typically set to interrupt on completion, but other buffer descriptors in the array can also generate interrupts.

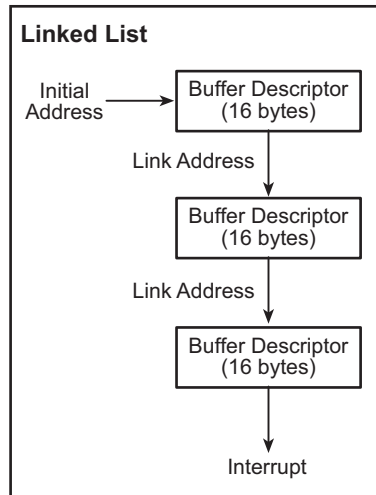


The advantage of the buffer array is that its descriptors require less memory than a full 16-byte descriptor.

The simplest version of the buffer array is a double buffer, which is frequently used to provide a reserve buffer in case the application is slow in handling the first buffer once received (in this case, both buffers are enabled to interrupt on completion).

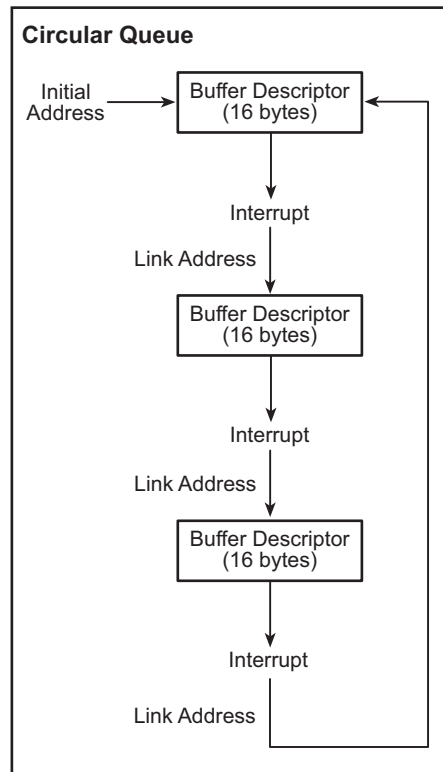
19.3.5.3 Linked List

A linked list is similar to a buffer array, except that 16-byte descriptors are used and the descriptors are not necessarily adjacent in memory. The advantage of this mode is the ability to spread descriptors.



19.3.5.4 Circular Queue

A circular queue is a buffer array or linked list where the final buffer is linked back to the first buffer in the sequence. This method allows for continuous reception of transfers without having to reload the initial address for the DMA buffer descriptor sequence.



The “ping-pong buffer,” where there are only two buffers, is the simplest version of a circular queue. The application can operate on one buffer while the other buffer is being loaded.

19.3.5.5 Linked Array

The linked array is simply a linked list of buffer arrays, where the last buffer in each array is linked to the first buffer in the next array (which can be located anywhere in memory). This method could be useful where a message is broken down into separate transfers, but entire messages could be scattered/gathered from anywhere in memory.

19.3.6 DMA with Peripherals

When the DMA is directed towards an internal I/O address, the DMA transfer request signals will be connected as appropriate for that peripheral. For example, when a DMA transfer is performed to Serial Port D's data register, the transfer request will be enabled whenever the serial port transmit buffer is empty, and will be disabled whenever it is not.

19.3.6.1 DMA with HDLC Serial Ports

The HDLC serial ports receive special handling by the DMA. When the DMA destination is Serial Port E's or Serial Port F's data register (SxDR), the final byte of the transfer will be written to the appropriate last data register (SxLDR) as required to complete an HDLC packet and append the CRC value. In addition, the value in the appropriate status register (SxSR) will be written to the status byte in the buffer descriptor pointed to by the initial address registers (not necessarily the buffer descriptor that is currently being used). These features allow an application to automatically send and receive packets via DMA, only requiring direct handling of a packet when an error occurs.

19.3.6.2 DMA with Ethernet

The Ethernet network peripheral also receives special handling by the DMA. When the DMA destination is the network data register (NADR), the final byte of the transfer will be written to the last data register (NALDR) as required to complete an Ethernet packet and append the CRC value. In addition, the value in the network status register (NASR) will be written to the status byte in the buffer descriptor pointed to by the initial address registers (not necessarily the buffer descriptor that is currently being used). These features allow the processor to only handle interrupts when an error occurs.

19.3.6.3 DMA with PWM and Timer C

The PWM and Timer C peripherals have special support for DMA; the block access and pointer registers in each of these peripherals provide a means for the DMA to update the settings of these peripherals at some desired rate. This allows complex PWM waveforms to be generated by using the DMA timed request to update the PWM duty cycles at regular intervals.

19.3.7 DMA Bug Workarounds (Appendix B.2)

19.3.7.1 DMA/HDLC/Ethernet Interaction

A specific bug can manifest itself when the following conditions are present.

- The HDLC or Ethernet peripherals are being fed bytes for transmit via DMA.
- The current DMA buffer has been marked with "special treatment for last byte."
- The buffer has not been marked as "final buffer."
- The DMA fills the transmit FIFO with the next-to-last byte of the buffer and then either switches to another channel or releases the bus.
- The DMA then returns to the channel before the transmitter has had a chance to transmit a single byte, freeing space in the transmit FIFO.

When all these conditions occur, the DMA will overwrite the next-to-last byte in the transmit FIFO, and that particular byte will never be transmitted.

There are several ways to avoid this bug.

- Always mark the buffer that contains the end-of-frame byte as the final buffer, and restart the DMA once that buffer has been transmitted.
- Make sure that the DMA will not return to this channel before the transmitter has sent one byte from the transmit FIFO.
- Place the end-of-frame byte in a separate DMA buffer.

The Ethernet driver provided by Rabbit Semiconductor in Dynamic C is written so that this bug never occurs.

19.3.8 DMA/Block Copy Interaction

When a DMA transfer occurs during a block copy instruction (LDIR, LDDR, COPY, COPYR, UMA, or UMS) while executing code out of 16-bit memory with the “advanced 16-bit mode” enabled, the code prefetch queue and program counter will become out-of-synch. This means that one or two incorrect bytes (depending on the 16-bit alignment of the instruction) are reloaded and presented to the processor as instructions when execution is “rewound” after the DMA transfer. The result of this mismatch is that the block copy instruction does not complete.

The only way to prevent this from occurring is to prevent DMA transfers during block copy instructions, either by disabling the DMA or by increasing the processor priority above the priority of the DMA transfer.

There is a workaround. The processor’s BC register is used as a program counter by the block copy instructions, and will be nonzero if the block copy instruction did not complete. By checking the value of BC and jumping back to the block copy instruction if it is nonzero, the block copy instruction is restarted with all the current register values (source and destination pointers) and will continue where it left off. Rabbit Semiconductor’s Dynamic C compiler automatically includes this wrapper code whenever it identifies a block copy instruction.

19.3.9 Single-Byte DMA Requests to internal I/O Registers

When timed or external DMA requests are enabled and set to transfer a single byte at a time to an internal I/O register, two bytes will actually be transferred. The simplest workaround is to double each data byte in the buffer; two bytes will be transmitted, but they will be identical, so the actual I/O register setting will not change.

19.4 Register Descriptions

| DMA Master Control/Status Register (DMCSR) (Address = 0x0100) | | |
|--|--------------|--|
| Bit(s) | Value | Description |
| 7:0 (Write-only) | 0 | No effect on the corresponding DMA channel. |
| | 1 | Start (or restart) the corresponding DMA channel using the contents of the DMA channel registers. This command should only be issued after all the DMA channel registers (source, destination, length, and link if applicable) have been loaded. |
| 7:0 (Read-only) | 0 | The corresponding DMA channel is either disabled or has completed the last buffer descriptor. |
| | 1 | The corresponding DMA channel is enabled and active. These bits are set by the start command and remain set until the completion of the last buffer. |

| DMA Master Auto-Load Register (DMALR) (Address = 0x0101) | | |
|---|--------------|---|
| Bit(s) | Value | Description |
| 7:0 | 0 | No effect of the corresponding DMA channel. |
| | 1 | Start (using auto-load) the corresponding DMA channel, using the buffer descriptor in memory addressed by the channel initial address register. This command should only be issued after the initial address has been loaded. |

| DMA Master Halt Register (DMHR) (Address = 0x0102) | | |
|---|--------------|---|
| Bit(s) | Value | Description |
| 7:0 | 0 | No effect of the corresponding DMA channel. |
| | 1 | Halt the corresponding DMA channel. The DMA registers retain the current state, and the DMA can be restarted using the DMCSR. |

| DMA y Buffer Complete Register | | |
|--------------------------------|-------|---|
| | | (D0BCR) (Address = 0x0103) |
| | | (D1BCR) (Address = 0x0113) |
| | | (D2BCR) (Address = 0x0123) |
| | | (D3BCR) (Address = 0x0133) |
| | | (D4BCR) (Address = 0x0143) |
| | | (D5BCR) (Address = 0x0153) |
| | | (D6BCR) (Address = 0x0163) |
| | | (D7BCR) (Address = 0x0173) |
| Bit(s) | Value | Description |
| 7:0 | Read | The DMA increments a counter at the start of the next buffer. This count is latched in this register and can be used, along with the <i>buffer unused</i> count, to determine the actual amount of data transferred by the DMA. This counter is initialized by a start command or when the DMA is automatically rewound to the initial address. |
| | Write | Writing to this register loads the counter. This feature is intended only for testing, because the DMA automatically resets the counter to all ones when fetching from the initial address. The counter is incremented whenever the DMA fetches a new buffer length value from a descriptor. |

| DMA Master Control Register (DMCR) (Address = 0x0104) | | |
|---|-------|--|
| Bit(s) | Value | Description |
| 7:4 | | These bits are reserved and should be written with zeros. |
| 3:2 | 00 | DMA transfers at Priority 0. No DMA transfers while CPU operates at Priority 3, 2, or 1. |
| | 01 | DMA transfers at Priority 1. No DMA transfers while CPU operates at Priority 3 or 2. |
| | 10 | DMA transfers at Priority 2. No DMA transfers while CPU operates at Priority 3. |
| | 11 | DMA transfers at Priority 3. DMA transfers at any time. |
| 1:0 | 00 | DMA interrupts are disabled. |
| | 01 | DMA interrupts use Interrupt Priority 1. |
| | 10 | DMA interrupts use Interrupt Priority 2. |
| | 11 | DMA interrupts use Interrupt Priority 3. |

| DMA Master Timing Control Register (DMTCR) (Address = 0x0105) | | |
|--|--------------|--|
| Bit(s) | Value | Description |
| 7:6 | 0x | Fixed DMA channel priority. Higher channel number has higher priority. |
| | 10 | Rotating DMA channel priority. Priority rotates highest channel number to lowest channel number after every byte is transferred. |
| | 11 | Rotating DMA channel priority. Priority rotates highest channel number to lowest channel number after the current channel request is serviced. |
| 5:3 | 000 | Maximum one byte per burst. |
| | 001 | Maximum two bytes per burst. |
| | 010 | Maximum three bytes per burst. |
| | 011 | Maximum four bytes per burst. |
| | 100 | Maximum eight bytes per burst. |
| | 101 | Maximum 16 bytes per burst. |
| | 110 | Maximum 32 bytes per burst. |
| | 111 | Maximum 64 bytes per burst. |
| 2:0 | 000 | Minimum 12 clocks between bursts. |
| | 001 | Minimum 16 clocks between bursts. |
| | 010 | Minimum 24 clocks between bursts. |
| | 011 | Minimum 32 clocks between bursts. |
| | 100 | Minimum 64 clocks between bursts. |
| | 101 | Minimum 128 clocks between bursts. |
| | 110 | Minimum 256 clocks between bursts. |
| | 111 | Minimum 512 clocks between bursts. |

| DMA Master Request 0 Control Register (DMR0CR) (Address = 0x0106) | | |
|--|--------------|--|
| Bit(s) | Value | Description |
| 7:6 | 00 | External DMA Request 0 disabled. |
| | 01 | External DMA Request 0 enabled from Parallel Port D2. |
| | 10 | External DMA Request 0 enabled from Parallel Port E2. |
| | 11 | External DMA Request 0 enabled from Parallel Port E6. |
| 5 | | This bit is reserved and should be written with zero. |
| 4:3 | 00 | External DMA Request 0 falling-edge triggered. One transfer per request. |
| | 01 | External DMA Request 0 rising-edge triggered. One transfer per request. |
| | 10 | External DMA Request 0 active low. Transfers continue while low. |
| | 11 | External DMA Request 0 active high. Transfers continue while high. |
| 2:0 | 000 | External DMA Request 0 supplied to DMA Channel 0. |
| | 001 | External DMA Request 0 supplied to DMA Channel 1. |
| | 010 | External DMA Request 0 supplied to DMA Channel 2. |
| | 011 | External DMA Request 0 supplied to DMA Channel 3. |
| | 100 | External DMA Request 0 supplied to DMA Channel 4. |
| | 101 | External DMA Request 0 supplied to DMA Channel 5. |
| | 110 | External DMA Request 0 supplied to DMA Channel 6. |
| | 111 | External DMA Request 0 supplied to DMA Channel 7. |

| DMA Master Request 1 Control Register (DMR1CR) (Address = 0x0107) | | |
|--|--------------|---|
| Bit(s) | Value | Description |
| 7:6 | 00 | External DMA Request 1 disabled. |
| | 01 | External DMA Request 1 enabled from Parallel Port D3. |
| | 10 | External DMA Request 1 enabled from Parallel Port E3. |
| | 11 | External DMA Request 1 enabled from Parallel Port E7. |
| 5 | | This bit is reserved and should be written with zero. |
| 4:3 | 00 | External DMA Request 1 falling edge triggered. One byte per request. |
| | 01 | External DMA Request 1 rising edge triggered. One transfer per request. |
| | 10 | External DMA Request 1 active low. Transfers continue while low. |
| | 11 | External DMA Request 1 active high. Transfers continue while high. |
| 2:0 | 000 | External DMA Request 1 supplied to DMA Channel 0. |
| | 001 | External DMA Request 1 supplied to DMA Channel 1. |
| | 010 | External DMA Request 1 supplied to DMA Channel 2. |
| | 011 | External DMA Request 1 supplied to DMA Channel 3. |
| | 100 | External DMA Request 1 supplied to DMA Channel 4. |
| | 101 | External DMA Request 1 supplied to DMA Channel 5. |
| | 110 | External DMA Request 1 supplied to DMA Channel 6. |
| | 111 | External DMA Request 1 supplied to DMA Channel 7. |

| DMA Timed Request Control Register (DTRCR) (Address = 0x0115) | | |
|--|--------------|--|
| Bit(s) | Value | Description |
| 7 | 0 | Timed DMA request disabled. |
| | 1 | Timed DMA request enabled. |
| 6:5 | | These bits are reserved and should be written with zeros. |
| 4:3 | 00 | Timed DMA request transfers one byte per request. |
| | 01 | This bit combination is reserved and should not be used. |
| | 10 | Timed DMA request triggers transfers until current descriptor is complete. DMA channel fetches the next descriptor if appropriate. |
| | 11 | This bit combination is reserved and should not be used. |
| 2:0 | 000 | Timed DMA request supplied to DMA Channel 0. |
| | 001 | Timed DMA request supplied to DMA Channel 1. |
| | 010 | Timed DMA request supplied to DMA Channel 2. |
| | 011 | Timed DMA request supplied to DMA Channel 3. |
| | 100 | Timed DMA request supplied to DMA Channel 4. |
| | 101 | Timed DMA request supplied to DMA Channel 5. |
| | 110 | Timed DMA request supplied to DMA Channel 6. |
| | 111 | Timed DMA request supplied to DMA Channel 7. |

| DMA Timed Request Divider Low Register (DTRDLR) (Address = 0x0116) | | |
|---|--------------|---|
| Bit(s) | Value | Description |
| 7:0 | Write | The eight LSBs of the limit value for the DMA timed request timer are stored. |

| DMA Timed Request Divider High Register (DTRDHR) (Address = 0x0117) | | |
|--|--------------|---|
| Bit(s) | Value | Description |
| 7:0 | Write | The eight MSBs of the limit value for the DMA timed request timer are stored. |

| DMA y Termination Byte Register | | |
|--|-------|---|
| | | (D0TBR) (Address = 0x0108) |
| | | (D1TBR) (Address = 0x0118) |
| | | (D2TBR) (Address = 0x0128) |
| | | (D3TBR) (Address = 0x0138) |
| | | (D4TBR) (Address = 0x0148) |
| | | (D5TBR) (Address = 0x0158) |
| | | (D6TBR) (Address = 0x0168) |
| | | (D7TBR) (Address = 0x0178) |
| Bit(s) | Value | Description |
| 7:0 | | Byte value that, if matched, will terminate a buffer. |

| DMA y Termination Mask Register | | |
|--|-------|--|
| | | (D0TMR) (Address = 0x0109) |
| | | (D1TMR) (Address = 0x0119) |
| | | (D2TMR) (Address = 0x0129) |
| | | (D3TMR) (Address = 0x0139) |
| | | (D4TMR) (Address = 0x0149) |
| | | (D5TMR) (Address = 0x0159) |
| | | (D6TMR) (Address = 0x0169) |
| | | (D7TMR) (Address = 0x0179) |
| Bit(s) | Value | Description |
| 7:0 | | Mask for termination byte. A one in a bit position enables the corresponding bit of the termination byte to be used in the compare to generate the termination condition. A zero in a bit position disables the corresponding bit from contributing to the termination condition. A value of all zeros in this register disables the termination-byte match feature. |

| DMA y Buffer Unused[7:0] Register | | |
|--|-------|--|
| | | (D0BU0R) (Address = 0x010A) |
| | | (D1BU0R) (Address = 0x011A) |
| | | (D2BU0R) (Address = 0x012A) |
| | | (D3BU0R) (Address = 0x013A) |
| | | (D4BU0R) (Address = 0x014A) |
| | | (D5BU0R) (Address = 0x015A) |
| | | (D6BU0R) (Address = 0x016A) |
| | | (D7BU0R) (Address = 0x017A) |
| Bit(s) | Value | Description |
| 7:0 | | Bits 7:0 of the buffer unused length value are stored in this register. The DMA copies the buffer remaining length to this register at the completion of the transfer. Normally the buffer remaining length is zero, but if the transfer terminates early, under source control or because of a termination-byte match, the number of unused bytes in the buffer is written. |

| DMA y Buffer Unused[15:8] Register | | |
|---|----------|--|
| | (D0BU1R) | (Address = 0x010B) |
| | (D1BU1R) | (Address = 0x011B) |
| | (D2BU1R) | (Address = 0x012B) |
| | (D3BU1R) | (Address = 0x013B) |
| | (D4BU1R) | (Address = 0x014B) |
| | (D5BU1R) | (Address = 0x015B) |
| | (D6BU1R) | (Address = 0x016B) |
| | (D7BU1R) | (Address = 0x017B) |
| Bit(s) | Value | Description |
| 7:0 | | Bits 15:8 of the buffer unused-length value are stored in this register. |

| DMA y Initial Addr[7:0] Register | | |
|---|----------|--|
| | (D0IA0R) | (Address = 0x010C) |
| | (D1IA0R) | (Address = 0x011C) |
| | (D2IA0R) | (Address = 0x012C) |
| | (D3IA0R) | (Address = 0x013C) |
| | (D4IA0R) | (Address = 0x014C) |
| | (D5IA0R) | (Address = 0x015C) |
| | (D6IA0R) | (Address = 0x016C) |
| | (D7IA0R) | (Address = 0x017C) |
| Bit(s) | Value | Description |
| 7:0 | | Bits 7:0 of the initial address are stored in this register. |

| DMA y Initial Addr[15:8] Register | | |
|--|----------|---|
| | (D0IA1R) | (Address = 0x010D) |
| | (D1IA1R) | (Address = 0x011D) |
| | (D2IA1R) | (Address = 0x012D) |
| | (D3IA1R) | (Address = 0x013D) |
| | (D4IA1R) | (Address = 0x014D) |
| | (D5IA1R) | (Address = 0x015D) |
| | (D6IA1R) | (Address = 0x016D) |
| | (D7IA1R) | (Address = 0x017D) |
| Bit(s) | Value | Description |
| 7:0 | | Bits 15:8 of the initial address are stored in this register. |

| DMA y Initial Addr[23:16] Register | | |
|---|----------|--|
| | (D0IA2R) | (Address = 0x010E) |
| | (D1IA2R) | (Address = 0x011E) |
| | (D2IA2R) | (Address = 0x012E) |
| | (D3IA2R) | (Address = 0x013E) |
| | (D4IA2R) | (Address = 0x014E) |
| | (D5IA2R) | (Address = 0x015E) |
| | (D6IA2R) | (Address = 0x016E) |
| | (D7IA2R) | (Address = 0x017E) |
| Bit(s) | Value | Description |
| 7:0 | | Bits 23:16 of the initial address are stored in this register. |

| DMA y State Machine Register | | |
|------------------------------|--|---|
| | | (D0SMR) (Address = 0x0180) |
| | | (D1SMR) (Address = 0x0190) |
| | | (D2SMR) (Address = 0x01A0) |
| | | (D3SMR) (Address = 0x01B0) |
| | | (D4SMR) (Address = 0x01C0) |
| | | (D5SMR) (Address = 0x01D0) |
| | | (D6SMR) (Address = 0x01E0) |
| | | (D7SMR) (Address = 0x01F0) |
| Bit(s) | Value | Description |
| 7:0 | 11111110 | Idle (disabled). |
| | 11111100 | Fetching control byte next (during start-up). |
| | 11111010 | Fetching control byte next (during chaining). |
| | 11110100 | Fetching Byte Count 0 next. |
| | 11110010 | Fetching Byte Count 1 next. |
| | 11101110 | Fetching Source Address 0 next. |
| | 11101100 | Fetching Source Address 1 next. |
| | 11101010 | Fetching Source Address 2 next. |
| | 11011110 | Fetching Destination Address 0 next. |
| | 11011100 | Fetching Destination Address 1 next. |
| | 11011010 | Fetching Destination Address 2 next. |
| | 10111110 | Fetching Link Address 0 next. |
| | 10111100 | Fetching Link Address 1 next. |
| | 10111010 | Fetching Link Address 2 next. |
| | 01111110 | Transferring data next. |
| | 01111100 | Transferring receive status next. |
| | 01111010 | Transferring last received byte next. |
| 01111000 | Transferring last transmitted byte next. | |

| DMA y Control Register | | |
|------------------------|-------|---|
| | | (D0CR) (Address = 0x0181) |
| | | (D1CR) (Address = 0x0191) |
| | | (D2CR) (Address = 0x01A1) |
| | | (D3CR) (Address = 0x01B1) |
| | | (D4CR) (Address = 0x01C1) |
| | | (D5CR) (Address = 0x01D1) |
| | | (D6CR) (Address = 0x01E1) |
| | | (D7CR) (Address = 0x01F1) |
| Bit(s) | Value | Description |
| 7 | 0 | Continue to next buffer descriptor. |
| | 1 | Final buffer descriptor. Stop DMA operation upon completion of this transfer. |
| 6 | 0 | Use sequential address for next buffer descriptor. The link address field is not present in this buffer descriptor, which is now 12 bytes long. |
| | 1 | Use the link address field as a pointer to the next buffer descriptor. This buffer descriptor is 16 bytes long. |
| 5 | 0 | No special treatment for last byte. |
| | 1 | Internal Source: status byte written to initial buffer descriptor before last data. Internal Destination: Last byte written to offset address for frame termination. All others: No effect. |
| 4 | 0 | No interrupt on completing this transfer. |
| | 1 | Interrupt on completing this transfer. |
| 3:2 | 00 | Source address is fixed internal I/O (two-byte) address. |
| | 01 | Source address is fixed external I/O (two-byte) address. |
| | 10 | Source address is memory (three-byte) address, auto-decrement. |
| | 11 | Source address is memory (three-byte) address, auto-increment. |
| 1:0 | 00 | Destination address is fixed internal I/O (two-byte) address. |
| | 01 | Destination address is fixed external I/O (two-byte) address. |
| | 10 | Destination address is memory (three-byte) address, auto-decrement. |
| | 11 | Destination address is memory (three-byte) address, auto-increment. |

| DMA y Length[7:0] Register | | |
|----------------------------|-------|--|
| | | (D0L0R) (Address = 0x0182) |
| | | (D1L0R) (Address = 0x0192) |
| | | (D2L0R) (Address = 0x01A2) |
| | | (D3L0R) (Address = 0x01B2) |
| | | (D4L0R) (Address = 0x01C2) |
| | | (D5L0R) (Address = 0x01D2) |
| | | (D6L0R) (Address = 0x01E2) |
| | | (D7L0R) (Address = 0x01F2) |
| Bit(s) | Value | Description |
| 7:0 | | Bits 7:0 of the buffer length value are stored in this register. The DMA does a transfer followed by a decrement of this register, so an initial value of 0x0000 will result in a 65536-byte transfer. |

| DMA y Length[15:8] Register | | |
|-----------------------------|-------|---|
| | | (D0L1R) (Address = 0x0183) |
| | | (D1L1R) (Address = 0x0193) |
| | | (D2L1R) (Address = 0x01A3) |
| | | (D3L1R) (Address = 0x01B3) |
| | | (D4L1R) (Address = 0x01C3) |
| | | (D5L1R) (Address = 0x01D3) |
| | | (D6L1R) (Address = 0x01E3) |
| | | (D7L1R) (Address = 0x01F3) |
| Bit(s) | Value | Description |
| 7:0 | | Bits 15:8 of the buffer length value are stored in this register. |

| DMA Source Addr[7:0] Register | | |
|--------------------------------------|----------|---|
| | (D0SA0R) | (Address = 0x0184) |
| | (D1SA0R) | (Address = 0x0194) |
| | (D2SA0R) | (Address = 0x01A4) |
| | (D3SA0R) | (Address = 0x01B4) |
| | (D4SA0R) | (Address = 0x01C4) |
| | (D5SA0R) | (Address = 0x01D4) |
| | (D6SA0R) | (Address = 0x01E4) |
| | (D7SA0R) | (Address = 0x01F4) |
| Bit(s) | Value | Description |
| 7:0 | | Bits 7:0 of the source address are stored in this register. |

| DMA y Source Addr[15:8] Register | | |
|---|----------|--|
| | (D0SA1R) | (Address = 0x0185) |
| | (D1SA1R) | (Address = 0x0195) |
| | (D2SA1R) | (Address = 0x01A5) |
| | (D3SA1R) | (Address = 0x01B5) |
| | (D4SA1R) | (Address = 0x01C5) |
| | (D5SA1R) | (Address = 0x01D5) |
| | (D6SA1R) | (Address = 0x01E5) |
| | (D7SA1R) | (Address = 0x01F5) |
| Bit(s) | Value | Description |
| 7:0 | | Bits 15:8 of the source address are stored in this register. |

| DMA y Source Addr[23:16] Register | | |
|--|----------|---|
| | (D0SA2R) | (Address = 0x0186) |
| | (D1SA2R) | (Address = 0x0196) |
| | (D2SA2R) | (Address = 0x01A6) |
| | (D3SA2R) | (Address = 0x01B6) |
| | (D4SA2R) | (Address = 0x01C6) |
| | (D5SA2R) | (Address = 0x01D6) |
| | (D6SA2R) | (Address = 0x01E6) |
| | (D7SA2R) | (Address = 0x01F6) |
| Bit(s) | Value | Description |
| 7:0 | | Bits 23:16 of the source address are stored in this register. |

| DMA y Destination Addr[7:0] Register | | |
|---|----------|--|
| | (D0DA0R) | (Address = 0x0188) |
| | (D1DA0R) | (Address = 0x0198) |
| | (D2DA0R) | (Address = 0x01A8) |
| | (D3DA0R) | (Address = 0x01B8) |
| | (D4DA0R) | (Address = 0x01C8) |
| | (D5DA0R) | (Address = 0x01D8) |
| | (D6DA0R) | (Address = 0x01E8) |
| | (D7DA0R) | (Address = 0x01F8) |
| Bit(s) | Value | Description |
| 7:0 | | Bits 7:0 of the destination address are stored in this register. |

| DMA y Destination Addr[15:8] Register | | |
|--|----------|---|
| | (D0DA1R) | (Address = 0x0189) |
| | (D1DA1R) | (Address = 0x0199) |
| | (D2DA1R) | (Address = 0x01A9) |
| | (D3DA1R) | (Address = 0x01B9) |
| | (D4DA1R) | (Address = 0x01C9) |
| | (D5DA1R) | (Address = 0x01D9) |
| | (D6DA1R) | (Address = 0x01E9) |
| | (D7DA1R) | (Address = 0x01F9) |
| Bit(s) | Value | Description |
| 7:0 | | Bits 15:8 of the destination address are stored in this register. |

| DMA y Destination Addr[23:16] Register | | |
|---|----------|--|
| | (D0DA2R) | (Address = 0x018A) |
| | (D1DA2R) | (Address = 0x019A) |
| | (D2DA2R) | (Address = 0x01AA) |
| | (D3DA2R) | (Address = 0x01BA) |
| | (D4DA2R) | (Address = 0x01CA) |
| | (D5DA2R) | (Address = 0x01DA) |
| | (D6DA2R) | (Address = 0x01EA) |
| | (D7DA2R) | (Address = 0x01FA) |
| Bit(s) | Value | Description |
| 7:0 | | Bits 23:16 of the destination address are stored in this register. |

| DMA y Link Addr[7:0] Register | | |
|--------------------------------------|----------|---|
| | (D0LA0R) | (Address = 0x018C) |
| | (D1LA0R) | (Address = 0x019C) |
| | (D2LA0R) | (Address = 0x01AC) |
| | (D3LA0R) | (Address = 0x01BC) |
| | (D4LA0R) | (Address = 0x01CC) |
| | (D5LA0R) | (Address = 0x01DC) |
| | (D6LA0R) | (Address = 0x01EC) |
| | (D7LA0R) | (Address = 0x01FC) |
| Bit(s) | Value | Description |
| 7:0 | | Bits 7:0 of the link address are stored in this register. |

| DMA y Link Addr[15:8] Register | | |
|---------------------------------------|----------|--|
| | (D0LA1R) | (Address = 0x018D) |
| | (D1LA1R) | (Address = 0x019D) |
| | (D2LA1R) | (Address = 0x01AD) |
| | (D3LA1R) | (Address = 0x01BD) |
| | (D4LA1R) | (Address = 0x01CD) |
| | (D5LA1R) | (Address = 0x01DD) |
| | (D6LA1R) | (Address = 0x01ED) |
| | (D7LA1R) | (Address = 0x01FD) |
| Bit(s) | Value | Description |
| 7:0 | | Bits 15:8 of the link address are stored in this register. |

| DMA y Link Addr[23:16] Register | | |
|--|----------|---|
| | (D0LA2R) | (Address = 0x018E) |
| | (D1LA2R) | (Address = 0x019E) |
| | (D2LA2R) | (Address = 0x01AE) |
| | (D3LA2R) | (Address = 0x01BE) |
| | (D4LA2R) | (Address = 0x01CE) |
| | (D5LA2R) | (Address = 0x01DE) |
| | (D6LA2R) | (Address = 0x01EE) |
| | (D7LA2R) | (Address = 0x01FE) |
| Bit(s) | Value | Description |
| 7:0 | | Bits 23:16 of the link address are stored in this register. |

20. 10BASE-T ETHERNET

20.1 Overview

Network Port A implements all of the required digital elements of the 10Base-T standard, and is normally used with two channels of the DMA controller. The receiver provides 32 bytes of buffering, and the transmitter has 16 bytes of buffering. Network Port A connects externally through six dedicated pins. The network port can operate in either half-duplex or full-duplex mode, selected via auto-negotiation.

The network port requires an accurate 20 MHz clock to generate the 10 Mbits/s serial rate of 10Base-T. This clock can come from the main system clock or a dedicated 20 MHz input under program control. The clock for the network port may also be disabled to conserve power. The network port contains synchronization circuitry to allow operation from the 20 MHz reference clock while the main system clock runs independently.

The network port transmitter precedes the transmit data automatically with a preamble and start-frame-delimiter, and appends CRC and the end-frame-delimiter after the last byte. Frame transmission starts automatically once the transmit FIFO is full and any interframe gap time or back-off time has expired. Transmission is aborted if a collision is detected, and is retried up to 16 times using the standard random back-off time algorithm. Detection of a collision causes the transmitter to send a 32-bit “jam” pattern of all ones to guarantee that all receivers in the network recognize the collision. The transmitter uses the 10 most-significant bits of the CRC checker, starting with bit 22 and increasing, to generate the initial seed for the back-off algorithm. Collisions that occur later than one slot time (512 bit times) are reported as late collisions, but are otherwise treated identically to “normal” collisions. If a transmission is not successful after 16 attempts, the transmitter halts and reports the failure via an interrupt. The transmitter guarantees the 9.6 μ s inter-frame gap and implements the fair-access algorithm within the inter-frame gap. The transmitter automatically sends link test pulses, even while otherwise disabled, every 16.0 ms. The transmitter contains a jabber timer, which automatically disables the transmitter after 26.2 ms of continuous transmission. This error condition generates an interrupt and must be answered by resetting the network port. The corresponding DMA channel is automatically halted by this error condition and must be restarted after the network port has been reset.

The Rabbit 4000 does not implement the 10Base-T physical layer on-chip, but provides differential transmit data to simplify the external circuitry required to drive the 10Base-T cabling with the required waveform.

The network port receiver uses the received preamble to synchronize to the phase of the incoming frame, and then waits for the start-frame-delimiter. Character assembly begins at this point and each byte is transferred to the receive FIFO. However, no interrupt or DMA request will occur until after the first six bytes of the frame have been received and checked for an address match. The receiver can receive frames independent of the address (promiscuous mode), or it can receive frames with a physical address match, a broadcast address match, or a multicast address match.

Normal DMA transfers of data begin once an address match occurs, and continue until the end-frame-delimiter is recognized or the line goes idle because of a collision. The network receiver calculates the CRC across the entire frame in parallel with character assembly and reports the result when the end-frame-delimiter is recognized. Normally frames with bad CRC are discarded. The receiver also reports misaligned end-frame-delimiters (those that do not occur on byte boundaries).

To help with handling high-level protocols such as TCP/IP, the network port receiver accumulates a 16-bit checksum across the entire received frame except for the first 14 bytes. The first 14 bytes are the destination address field (six bytes), source address field (six bytes), and the frame length field (two bytes), which are not part of the TCP/IP payload. This checksum is initialized to all zeros during the address compare time, and then each pair of bytes is added to the checksum, with the carry from the previous add carried to the following add. The first-received byte adds to the lower byte of the checksum and the second-received byte adds to the upper byte of the checksum. In the case of a frame with an odd length, the second-received byte value is filled with zeros for the 16-bit add. The checksum at the end of the frame is transferred to a holding register so that it can be read by software.

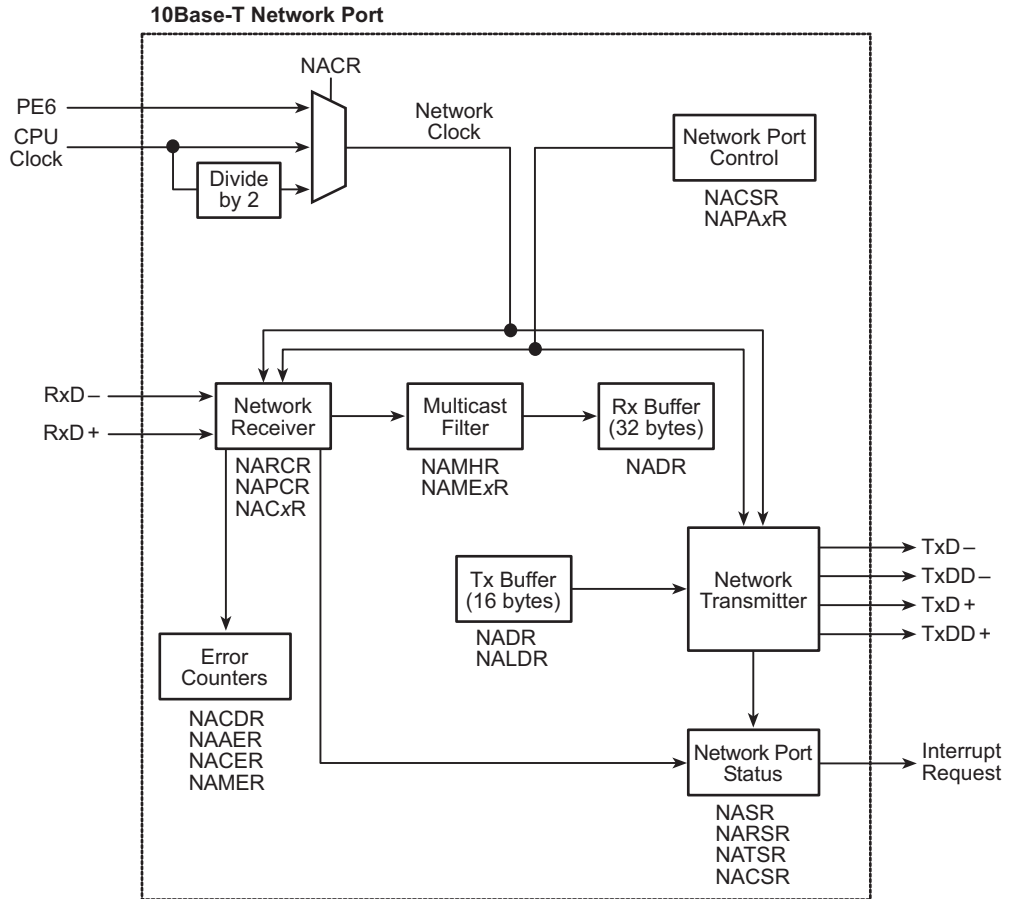
The network port implements the NLP receive link integrity test state machine, which requires link integrity pulses to be detected at certain intervals in the absence of other network activity. For this state machine, the `link_test_min` value is 4.2 ms, and the `link_test_max` value is 52.5 ms. The `link_loss_time` constant is 78.7 ms. If the network receiver enters the NLP Link Test Fail state because of missing link-test pulses, this state machine requires seven successive properly timed link test pulses (or an equal number of FLP bursts) before reporting that the link is again active. The reset state of this state machine is link-inactive. Note that this is a subtle difference relative to the normal 10Base-T receive link-integrity state machine, which requires either link test pulses or carrier sense to make the link active.

The network port implements the auto-negotiation algorithm to determine half-duplex or full-duplex operation. In addition to its normal automatic operation, this feature can be disabled or commanded to execute under software control.

The clock for the network port is initially disabled to conserve power, but may be sourced from either a port pin, the system clock (actually the internal peripheral clock), or the system clock divided by two. Since the network port requires a 20.000 MHz clock, the clock should normally be supplied from the port pin. Using the system clock or a derivative to drive the network port precludes the use of the clock modulator.

The network port receiver uses two pins with various options for the behavior. The network port transmitter uses four pins to provide differential signals with wave-shaping capability. See Section 20.4 for more details.

20.1.1 Block Diagram



20.1.2 Registers

| Register Name | Mnemonic | I/O Address | R/W | Reset |
|---|----------|-------------|-----|----------|
| Network Port A Data Register | NADR | 0x0200 | R/W | xxxxxxxx |
| Network Port A Last Data Register | NALDR | 0x0201 | W | xxxxxxxx |
| Network Port A Transmit Status Register | NATSR | 0x0202 | R | 00000000 |
| Network Port A Receive Status Register | NARSR | 0x0203 | R | 00000000 |
| Network Port A Control/Status Register | NACSR | 0x0204 | R/W | 00000000 |
| Network Port A Status Register | NASR | 0x0205 | R | 00000000 |
| Network Port A Reset Register | NARR | 0x0206 | W | 00000000 |
| Network Port A Control Register | NACR | 0x0207 | R/W | 00000000 |
| Network Port A Pin Control Register | NAPCR | 0x0208 | R/W | 000000xx |
| Network Port A Transmit Control Register | NATCR | 0x020A | R/W | 00000000 |
| Network Port A Receive Control Register | NARCR | 0x020B | R/W | 00000000 |
| Network Port A Phys. Addr. [7:0] Register | NAPA0R | 0x0210 | W | xxxxxxxx |
| Network Port A Phys. Addr. [15:8] Register | NAPA1R | 0x0211 | W | xxxxxxxx |
| Network Port A Phys. Addr. [23:16] Register | NAPA2R | 0x0212 | W | xxxxxxxx |
| Network Port A Phys. Addr. [31:24] Register | NAPA3R | 0x0213 | W | xxxxxxxx |
| Network Port A Phys. Addr. [39:32] Register | NAPA4R | 0x0214 | W | xxxxxxxx |
| Network Port A Phys. Addr. [47:40] Register | NAPA5R | 0x0215 | W | xxxxxxxx |
| Network Port A Multi. Filter [7:0] Register | NAMF0R | 0x0218 | R/W | xxxxxxxx |
| Network Port A Multi. Filter [15:8] Register | NAMF1R | 0x0219 | R/W | xxxxxxxx |
| Network Port A Multi. Filter [23:16] Register | NAMF2R | 0x021A | R/W | xxxxxxxx |
| Network Port A Multi. Filter [31:24] Register | NAMF3R | 0x021B | R/W | xxxxxxxx |
| Network Port A Multi. Filter [39:32] Register | NAMF4R | 0x021C | R/W | xxxxxxxx |
| Network Port A Multi. Filter [47:40] Register | NAMF5R | 0x021D | R/W | xxxxxxxx |
| Network Port A Multi. Filter [55:48] Register | NAMF6R | 0x021E | R/W | xxxxxxxx |
| Network Port A Multi. Filter [63:56] Register | NAMF7R | 0x021F | R/W | xxxxxxxx |
| Network Port A Multicast Hash Register | NAMHR | 0x0220 | R | 00000000 |
| Network Port A Collision Detect Register | NACDR | 0x0221 | R | 00000000 |
| Network Port A Alignment Error Register | NAAER | 0x0222 | R | 00000000 |
| Network Port A CRC Error Register | NACER | 0x0223 | R | 00000000 |
| Network Port A Checksum 0 Register | NAC0R | 0x0224 | R | 00000000 |
| Network Port A Checksum 1 Register | NAC1R | 0x0225 | R | 00000000 |
| Network Port A Missed Frame Register | NAMFR | 0x0226 | R | 00000000 |

20.2 Dependencies

20.2.1 I/O Pins

The network port has six dedicated pins: two input pins (RxD+ and RxD-) and four output pins (TxD+, TxD-, TxDD+, TxDD-). These pins can be used as general-purpose inputs and outputs if the network port is not being used via NAPCR.

The 20 MHz clock will typically be input from PE6.

Pin PE7 can be enabled as a /LNK signal that will be active low whenever the device has an active link, and inactive high at all other times.

Pin PE5 can be enabled as a /ACT signal that will be active low for 0.1 seconds following each packet transmission, and inactive high at all other times.

20.2.2 Clocks

The network port requires a 20 MHz clock input for proper 10Base-T operation. It is expected that this clock is input from pin PE6, but it is also possible to source this clock from the processor clock or the processor clock divided by two, assuming a 20 MHz or a 40 MHz clock is installed.

If the processor clock is used, the clock doubler and dither should be disabled.

NOTE: Unlike the other clock inputs on the Rabbit 4000, the PE6 network clock input does not have a Schmitt trigger inside the device. It is strongly recommended that you place an external Schmitt trigger on the input to PE6 if PE6 is to be used as the network clock input.

20.2.3 Other Registers

| Register | Function |
|-------------|-------------------------------------|
| PEFR, PEAHR | Selection of /LNK and /ACT signals. |

20.2.4 Interrupts

The network interrupt can be generated by an Ethernet frame received correctly, a frame received with error, a frame transmitted correctly, a frame transmitted with error, error counter overflow, jabber detection, or link status change. The events that generate an interrupt can be selected in NACSR.

The network port interrupt vector is in the IIR at offset 0x1E0. It can be set as Priority 1, 2, or 3 by writing to NACSR.

20.3 Operation

High-level support for TCP/IP and other protocols is beyond the scope of this manual, but this section will describe the low-level operation of the 10Base-T Ethernet peripheral.

20.3.1 Setup

The following steps explain how to set up the network port.

1. Write the interrupt vector for the interrupt service routine to the external interrupt table.
2. Select the desired interrupts and interrupt priority by writing to NACSR.
3. Select the desired network port pin configuration by writing to NAPCR.
4. Write the device's physical MAC address to the physical address registers (NAPAxR).
5. Write to the multicast filter registers (NAMFxR) to generate a multicast filter.
6. Enable the network port transmitter by writing to NATCR.
7. Enable the network port receiver by writing to NARCR.

20.3.2 Transmit

The following steps explain how to transmit an Ethernet packet.

1. Set up a DMA buffer descriptor that will read the packet data from memory and write it to NADR. Write the buffer descriptor's address to the DMA's initial address registers (see Chapter 19 for more information).
2. Enable the DMA transfer by auto-loading the buffer.
3. The packet transmission will proceed automatically. If any interrupts were enabled for any transmitted packet events, they will occur upon completion (or error).

Note that network interrupts will occur when the data appears in the network peripheral, but DMA interrupts will occur when the DMA transfer is complete.

20.3.3 Receive

The following steps explain how to receive an Ethernet packet.

1. Set up a DMA buffer descriptor that will read the packet data from NADR and write it to memory. Write the buffer descriptor's address to the DMA's initial address registers (see Chapter 19 for more information).
2. Enable the DMA transfer by auto-loading the buffer.
3. The packet transmission will proceed automatically when data comes in. If any interrupts were enabled for any received packet events, they will occur upon completion (or error).

Note that network interrupts will occur when the data appear in the Ethernet peripheral, but DMA interrupts will occur when the DMA transfer is complete.

20.3.4 Handling Interrupts

The network port interrupt is automatically cleared by reading NACSR.

A sample interrupt handler is shown below.

```
network_isr::
    push af
    ioi ld a, (NACSR)      ; read the interrupt status
    push af               ; save status byte for later
    bit 6,a               ; did receive error occur?
    jp nz, handle_rx_err

    pop af                ; recover network status byte
    bit 4,a               ; did transmit error occur?
    jp nz, handle_tx_err

    pop af
    bit 2,a               ; did link change or jabber occur?
    ioi ld a, (NASR)      ; get current status to check which one
    bit 0,a
    jp nz, handle_jabber ; did jabber condition occur?

done:
    pop af
    ipres
    ret

handle_rx_err:
    ioi ld a, (NARSR)     ; get receiver status
    ; check why error occurred and respond accordingly
    ret

handle_tx_err:
    ioi ld a, (NATSR)     ; get transmitter status
    ; check why error occurred and respond accordingly
    ret

handle_jabber:
    ld a, 0x00
    ioi ld (NATCR), a     ; disable transmitter
    ld a, 0x80
    ioi ld (NARR), a     ; reset transmitter
    ld a, 0x80
    ioi ld (NATCR), a     ; enable transmitter
    ret
```

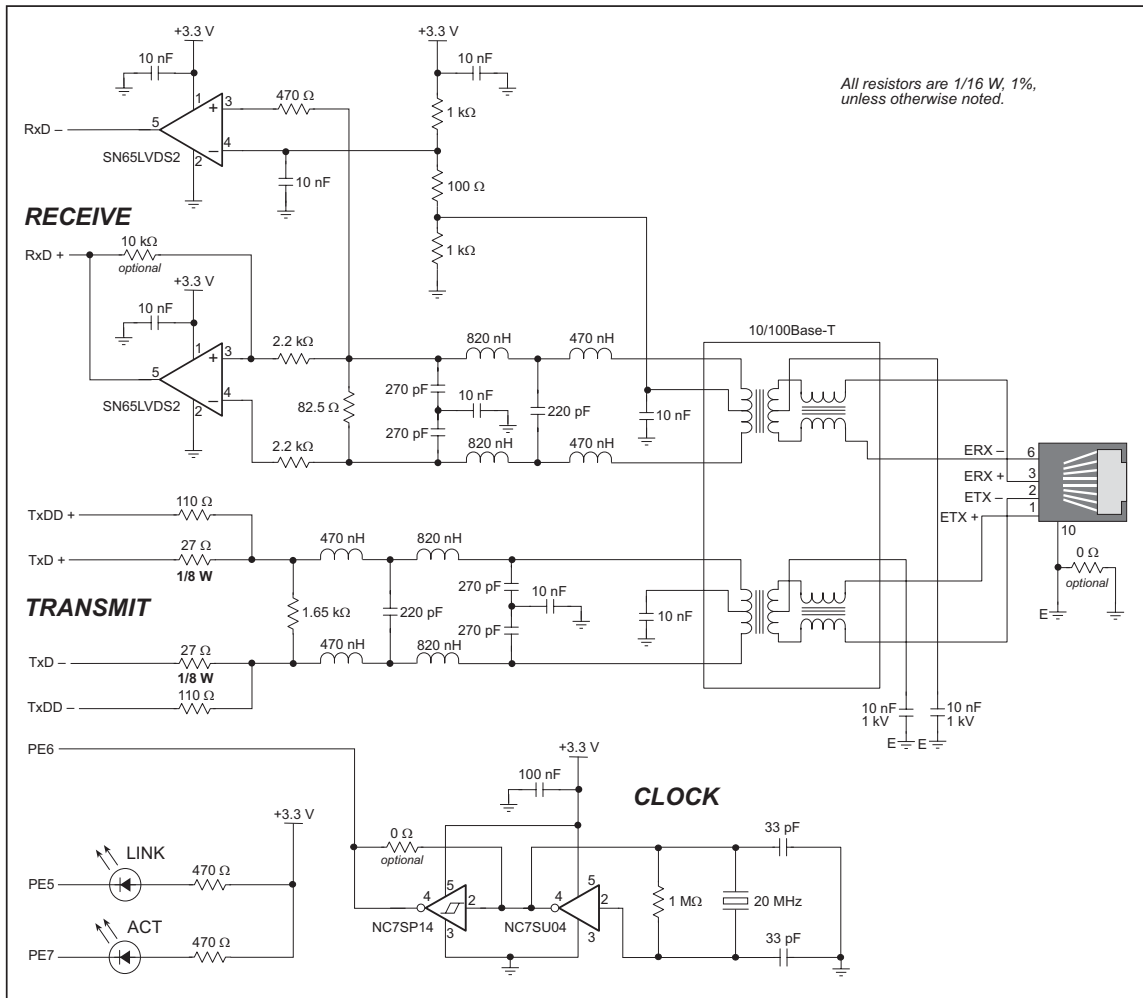
20.3.5 Multicast Addressing

A physical address match requires that the received frame address is a physical address that matches every bit of the programmed receive address. A broadcast address match requires that all 48 bits of the received frame address be “ones.” A multicast address match requires the received frame address to be a multicast address (LSB of the address is one) and a match in the multicast address filter. The multicast address filter uses the six most significant bits of the CRC calculated on the receive address as an index into a 64-by-1 bit table written under program control. A one in the corresponding table entry constitutes a multicast address match as far as the network port is concerned. A table of one set of unique multicast addresses corresponding to each filter bit is shown below. The table shows the least significant byte of the multicast address; the remaining five bytes of the address are all zeros for this set of multicast addresses.

| Register | Bit 7 | Bit 6 | Bit 5 | Bit 4 | Bit 3 | Bit 2 | Bit 1 | Bit 0 |
|----------|-------|-------|-------|-------|-------|-------|-------|-------|
| NAMF7R | 0x17 | 0x0B | 0x05 | 0x19 | 0x85 | 0x99 | 0x97 | 0x8B |
| NAMF6R | 0xD9 | 0xC5 | 0xCB | 0xD7 | 0x4B | 0x57 | 0x59 | 0x45 |
| NAMF5R | 0xCF | 0xD3 | 0xDD | 0xC1 | 0x5D | 0x41 | 0x4F | 0x53 |
| NAMF4R | 0x01 | 0x1D | 0x13 | 0x0F | 0x93 | 0x8F | 0x81 | 0x9D |
| NAMF3R | 0x5F | 0x43 | 0x4D | 0x51 | 0xCD | 0xD1 | 0xDF | 0xC3 |
| NAMF2R | 0x91 | 0x8D | 0x83 | 0x9F | 0x03 | 0x1F | 0x11 | 0x0D |
| NAMF1R | 0x87 | 0x9B | 0x95 | 0x89 | 0x15 | 0x09 | 0x07 | 0x1B |
| NAMF0R | 0x49 | 0x55 | 0x5B | 0x47 | 0xDB | 0xC7 | 0xC9 | 0xD5 |

20.4 Ethernet Interface Circuit

This is the recommended circuit for the Rabbit 4000 10Base-T Ethernet interface.



The transmit data output pins consist of two pins for each side of the differential signal. The two pins on each side should be connected through a resistor network as shown to provide proper wave shaping of the outgoing signal.

The receive data input for the network port uses two pins, with the exact definition of the two pins under program control (via NAPCR) according to the table below.

| NAPCR[7:5] | RXD+ | RXD- | Comment |
|------------|------|--------|--|
| 000 | RXD+ | RXD- | Normal differential input |
| 010 | RXD+ | RXVAL | True input with valid-data qualifier |
| 100 | RXD+ | unused | Single-ended true input data |
| 110 | RXD- | unused | Single-ended negative input data |
| xx1 | RXD+ | RXVAL | True input with valid-data qualifier; RXD+ is XORd with NAPCR[7] and RXD- is XORd with NAPCR[6] to provide level inversion |

20.5 Register Descriptions

| Network Port A Data Register (NADR) (Address = 0x0200) | | |
|--|-------|---|
| Bit(s) | Value | Description |
| 7:0 | Read | Returns the contents of the receive buffer. This register is not normally accessed by the processor, but is accessed by the DMA channels. |
| | Write | Loads the transmit buffer with a data byte for transmission. |

| Network Port A Last Data Register (NALDR) (Address = 0x0201) | | |
|--|-------|---|
| Bit(s) | Value | Description |
| 7:0 | Read | Returns the contents of the receive buffer. This register is not normally accessed by the processor, but is accessed by the DMA. |
| | Write | Loads the transmit buffer with the last data byte of a frame to enable the subsequent transmission of the CRC. The DMA automatically writes the last byte of the frame to this address. |

| Network Port A Transmit Status Register (NATSR) (Address = 0x0202) | | |
|---|--------------|---|
| Bit(s) | Value | Description |
| 7:4 | 0000 | Transmitter is disabled or has not yet sent a frame after being enabled. |
| | 0xx1 | Frame transmission aborted because of a FIFO underrun. |
| | 0x1x | Frame transmission aborted because of excessive collisions (16). |
| | 01xx | Transmitter is deferring frame transmission. |
| | 1000 | Frame transmitted without error. |
| | other | All other bit combinations not listed are illegal and will never occur. |
| 3:2 | 00 | These bits are reserved and will always return zeros. |
| 1 | 0 | Frame transmission encountered no collisions. |
| | 1 | Frame transmission encountered at least one collision. |
| 0 | 0 | Frame transmission encountered no late collisions (later than one slot time). |
| | 1 | Frame transmission encountered a late collision (later than one slot time). |

| Network Port A Receive Status Register (NARSR) (Address = 0x0203) | | |
|--|--------------|--|
| Bit(s) | Value | Description |
| 7:4 | 0000 | Receiver is disabled or has not yet received a frame after being enabled. |
| | 0xx1 | Frame discarded because of FIFO overrun during reception. The missed-frame counter is incremented by each frame discarded because of a FIFO overrun. |
| | 0x1x | Frame discarded because of alignment error. The alignment-error counter is incremented by each frame discarded because of an alignment error. |
| | 01xx | Frame discarded because of CRC error. The CRC error counter is incremented by each frame discarded because of a CRC error. |
| | 1000 | Frame received without error. If the receiver is in monitor mode the missed-frame counter is incremented with each frame received without error. |
| | other | All other bit combinations not listed are illegal and will never occur. |
| 3:2 | 00 | These bits are reserved and will always return zeros. |
| 1:0 | 00 | Received frame had a physical address match. |
| | 01 | Received frame did not have an address match (promiscuous mode). |
| | 10 | Received frame had a multicast address match. |
| | 11 | Received frame had a broadcast address match |

| Network Port A Control/Status Register (NACSR) (Address = 0x0204) | | |
|--|--------------|--|
| Bit(s) | Value | Description |
| 7:2 (Write-only) | 0 | The corresponding interrupt is disabled. |
| | 1 | The corresponding interrupt is enabled. |
| 7:2 | read | These bits, and the network port interrupt, are automatically cleared by a read of this register. The individual interrupt enables are not affected. |
| 7 (Read-only) | 0 | No frame received. |
| | 1 | Frame received error-free. |
| 6 (Read-only) | 0 | No error on received frame. |
| | 1 | Frame received with error (either CRC error, alignment error or FIFO overflow). Frames received with error are discarded and memory buffer space is reclaimed. |
| 5 (Read-only) | 0 | Frame transmission not complete. |
| | 1 | Frame transmitted without error. |
| 4 (Read-only) | 0 | No error on frame transmission. |
| | 1 | Frame transmission aborted because of error (either excessive collisions, FIFO underrun, or jabber condition). The memory buffer space is not reclaimed. |
| 3 (Read-only) | 0 | None of the error counters have overflowed. |
| | 1 | One or more of the error counters have overflowed. The overflow condition is flagged when one or more of the error counters reaches 080h. |
| 2 (Read-only) | 0 | No link failure or jabber condition. |
| | 1 | Either a link status change or jabber condition has been detected. |
| 1:0 | 00 | The Network Port interrupt is disabled. |
| | 01 | The Network Port uses Interrupt Priority 1. |
| | 10 | The Network Port uses Interrupt Priority 2. |
| | 11 | The Network Port uses Interrupt Priority 3. |

| Network Port A Status Register | | (NASR) | (Address = 0x0205) |
|---------------------------------------|--------------|--|---------------------------|
| Bit(s) | Value | Description | |
| 7 | | This bit is unused. | |
| 6 | 0 | Link operating half-duplex. | |
| | 1 | Link operating full-duplex. | |
| 5 | | This bit is unused. | |
| 4 | 0 | Auto-negotiation process not completed. | |
| | 1 | Auto-negotiation process completed. | |
| 3:2 | | These bits are unused. | |
| 1 | 0 | Link is down. | |
| | 1 | Link is up. | |
| 0 | 0 | No jabber condition detected. | |
| | 1 | Jabber condition detected. A jabber condition automatically halts the DMA channel sourcing the data for the transmitter and disables the transmit DMA request. The network port transmitter must be reset to clear this condition. | |

| Network Port A Reset Register | | (NARR) | (Address = 0x0206) |
|--------------------------------------|--------------|---|---------------------------|
| Bit(s) | Value | Description | |
| 7 | 0 | No operation. | |
| | 1 | Reset the network port transmitter. This command clears the jabber condition and purges the transmit FIFO. It does not affect a transmit operation in progress and should only be written when the transmitter are disabled and in an idle state. | |
| 6 | 0 | No operation. | |
| | 1 | Reset the network port receiver. This command clears all of the error counters and purges the receive FIFO. It does not affect a receive operation in progress and should only be written when the receiver is disabled and in an idle state. | |
| 5 | 0 | No operation. | |
| | 1 | Purge the network port transmit FIFO. | |
| 4 | 0 | No operation. | |
| | 1 | Purge the network port receive FIFO. | |
| 3:0 | | These bits are ignored and should always be written as zeros. | |

| Network Port A Control Register (NACR) (Address = 0x0207) | | |
|--|--------------|---|
| Bit(s) | Value | Description |
| 7:6 | 00 | Disable the network port clock. |
| | 01 | Network port clock from Parallel Port E6. |
| | 10 | Network port clock from system clock. |
| | 11 | Network port clock from system clock divided by 2. |
| 5:4 | | These bits are unused and should be written with zero. |
| 3 | 0 | Normal operation. |
| | 1 | Restart auto-negotiation process. |
| 2 | 0 | Disable auto-negotiation function. |
| | 1 | Enable auto-negotiation function. |
| 1 | 0 | Force half-duplex operation. If auto-negotiation is enabled, only half-duplex operation will be advertised. |
| | 1 | Enable full-duplex operation. If auto-negotiation is disabled, this forces full-duplex operation. If auto-negotiation is enabled, this allows advertising full-duplex capability. |
| 0 | | This bit is unused and should be written with zero. |

| Network Port A Pin Control Register (NAPCR) (Address = 0x0208) (network port clock enabled in NACR) | | |
|--|-------|--|
| Bit(s) | Value | Description |
| 7:5 | 000 | RXD+ and RXD- normal operation (differential inputs). |
| | 010 | RXD+ singled-ended true input. RXD- is the valid-signal qualifier (active high). |
| | 100 | RXD+ single-ended true input. RXD- not used by receiver. |
| | 110 | RXD+ single-ended negative input. RXD- not used by receiver. |
| | xx1 | RXD+ singled-ended true input. RXD- is the valid-signal qualifier; RXD+ is XORd with NAPCR[7] and RXD- is XORd with NAPCR[6] to provide level inversion. |
| 4:0 | | These bits are unused and should be written with zeros. |

| Network Port A Pin Control Register (NAPCR) (Address = 0x0208) (network port clock disabled in NACR) | | |
|---|-------|--|
| Bit(s) | Value | Description |
| 7:6 | | These bits are unused and should be written with zero. |
| 5 | Read | Current state of TXDD+. |
| | Write | Drive TXDD+ with value. |
| 4 | Read | Current state of TXD+. |
| | Write | Drive TXD+ with value. |
| 3 | Read | Current state of TXDD-. |
| | Write | Drive TXDD- with value. |
| 2 | Read | Current state of TXD-. |
| | Write | Drive TXD- with value. |
| 1 | Read | Current state of RXD+. |
| | Write | Ignored. |
| 0 | Read | Current state of RXD-. |
| | Write | Ignored. |

| Network Port A Transmit Control Register (NATCR) (Address = 0x020A) | | |
|--|--------------|---|
| Bit(s) | Value | Description |
| 7 | 0 | Disable transmitter. |
| | 1 | Enable transmitter. |
| 6 | 0 | DMA request when FIFO is half empty. |
| | 1 | DMA request when FIFO is one-fourth empty. |
| 5:0 | | These bits are reserved and should be written with zeros. |

| Network Port A Receive Control Register (NARCR) (Address = 0x020B) | | |
|---|--------------|---|
| Bit(s) | Value | Description |
| 7 | 0 | Disable receiver. |
| | 1 | Enable receiver. |
| 6 | 0 | DMA request when FIFO is half full. |
| | 1 | DMA request when FIFO is one-fourth full. |
| 5 | 0 | Normal receiver operation. |
| | 1 | Place receiver in Monitor mode. Receiver operates normally, but does not buffer frames to memory. |
| 4 | 0 | Receive frames less than 64 bytes in length discarded. |
| | 1 | Receive frames as short as 8 bytes accepted. |
| 3 | 0 | Receive frames with errors discarded. Reclaim buffer space. |
| | 1 | Receive frames with errors accepted. Do not reclaim buffer space. |
| 2 | 0 | Receive frames with broadcast address ignored. |
| | 1 | Receive frames with broadcast address accepted |
| 1 | 0 | Receive frames with multicast addresses ignored. |
| | 1 | Receive frames with multicast addresses accepted if passing hashing filter. |
| 0 | 0 | Receive frames with mismatched physical addresses are ignored. |
| | 1 | Receive frames with any physical address accepted. Promiscuous mode. |

| Network Port A Physical Address x Register | | |
|---|----------|---|
| | (NAPA0R) | (Address = 0x0210) |
| | (NAPA1R) | (Address = 0x0211) |
| | (NAPA2R) | (Address = 0x0212) |
| | (NAPA3R) | (Address = 0x0213) |
| | (NAPA4R) | (Address = 0x0214) |
| | (NAPA5R) | (Address = 0x0215) |
| Bit(s) | Value | Description |
| 7:0 | Write | Byte of physical address for receive address filtering. |

| Network Port A Multicast Filter x Register | | |
|---|----------|--|
| | (NAMF0R) | (Address = 0x0218) |
| | (NAMF1R) | (Address = 0x0219) |
| | (NAMF2R) | (Address = 0x021A) |
| | (NAMF3R) | (Address = 0x021B) |
| | (NAMF4R) | (Address = 0x021C) |
| | (NAMF5R) | (Address = 0x021D) |
| | (NAMF6R) | (Address = 0x021E) |
| | (NAMF7R) | (Address = 0x021F) |
| Bit(s) | Value | Description |
| 7:0 | Write | Eight bits of the multicast filter. At the end of a received multicast address, the upper six bits of CRC are used as an index into this 64-bit table. If the corresponding bit is zero, the frame is discarded. If the corresponding bit is one, the frame is accepted. |

| Network Port A Multicast Hash Register | | |
|---|---------|--|
| | (NAMHR) | (Address = 0x0220) |
| Bit(s) | Value | Description |
| 7:2 | read | The latest hash value (the upper six bits of the CRC calculation latched at the end of the destination address field) is returned. |
| 1:0 | | These bits are unused and will always read as zero. |

| Network Port A Collision Detect Register | | |
|---|---------|--|
| | (NACDR) | (Address = 0x0221) |
| Bit(s) | Value | Description |
| 7:0 | read | The current value of the collision-detect counter is returned. This counter is cleared by a read of this register. |

| Network Port A Alignment Error Register (NAAER) (Address = 0x0222) | | |
|---|--------------|---|
| Bit(s) | Value | Description |
| 7:0 | read | The current value of the alignment-error counter is returned. This counter is cleared by a read of this register. |

| Network Port A CRC Error Register (NACER) (Address = 0x0223) | | |
|---|--------------|---|
| Bit(s) | Value | Description |
| 7:0 | read | The current value of the CRC error counter is returned. This counter is cleared by a read of this register. |

| Network Port A Checksum 0 Register (NAC0R) (Address = 0x0224) | | |
|--|--------------|---|
| Bit(s) | Value | Description |
| 7:0 | read | The LSB of the checksum for the completed frame is returned in this register. |

| Network Port A Checksum 1 Register (NAC1R) (Address = 0x0225) | | |
|--|--------------|---|
| Bit(s) | Value | Description |
| 7:0 | read | The MSB of the checksum for the completed frame is returned in this register. |

| Network Port A Missed Frame Register (NAMFR) (Address = 0x0226) | | |
|--|--------------|--|
| Bit(s) | Value | Description |
| 7:0 | read | The current value of the missed-frame counter is returned. This counter is cleared by a read of this register. |

21. INPUT CAPTURE

21.1 Overview

The input capture peripheral consists of two channels, each of which contains a 16-bit counter and edge-detection circuitry. The input capture channels are usually used to determine the time between events. An event is signaled by a rising or falling edge (or optionally by either edge) on one of 12 input pins that can be selected as the input for either of the two channels. The input-capture channels synchronize their inputs to the input-capture clock (from Timer A8), providing a low-pass filter functionality on the inputs, as shown in Section 21.2.4.

Each channel can be used in one of two modes—input capture or input count.

21.1.1 Input-Capture Mode

In the input-capture mode, the channel starts/stops the counter (clocked by Timer A8) according to the signal edges on various parallel port pins, providing the ability to measure pulse widths and time intervals between external events, time-stamp signal changes on a pin, and measure time intervals between a software start and an external event. An interrupt can also be generated when an edge is detected or when a counter rolls over

A 16 bit counter is used to record the time at which the event takes place. The counter is driven by the output of Timer A8 and can be set to count at a rate ranging from the full clock speed ($\text{perclk}/2$) down to $1/256$ the clock speed ($\text{perclk}/512$).

Two events are recognized: a *start condition* and a *stop condition*. The start condition may be used to start counting and the stop condition to stop counting. However, the counter may also run continuously or run until a stop condition is encountered. The start and stop conditions may also be used to latch the current count at the instant the condition occurs rather than actually start or stop the counter. The same pin may be used to detect the start and stop condition—for example a rising edge could be the start condition and a falling edge could be the stop condition. The start and stop condition can also be input on separate pins.

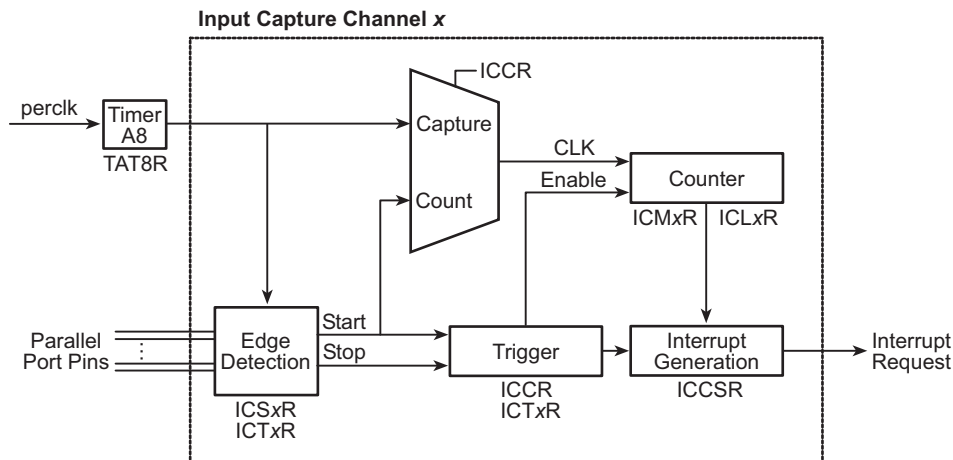
The input capture channels can be used to measure the width of fast pulses. This is done by starting the counter on the first edge of the pulse and capturing the counter value on the second edge of the pulse. In this case the maximum error in the measurement is approximately 2 periods of the clock used to count the counter. If there is sufficient time between events for an interrupt to take place the unit can be set up to capture the counter value on either start or stop conditions (or both) and cause an interrupt each time the count is captured. The counter can also be cleared and started under software control and then have its value captured in response to an input.

The capture counter can be synchronized with Timer B outputs to load parallel port output registers. This makes it possible to generate an output signal precisely synchronized with an input signal. Usually it will be desired to synchronize one of the input capture counters with the Timer B counter. The count offset can be measured by outputting a pulse at a precise time using Timer B to set the output time and capturing the output pulse with an input capture channel. Once the phase relationship is known between the counters it is then possible to output pulses a precise time delay after an input pulse is captured, provided that the time delay is great enough for the interrupt routine to process the capture event and set up the output pulse synchronized by Timer B. The minimum time delay needed is probably less than 10 μ s if the software is done carefully and the clock speed is reasonably high.

21.1.2 Input-Count Mode

In the input-count mode the channel simply increments the counter each time the start condition occurs. The count is enabled by the first Timer A8 clock after the mode is selected, and the stop condition is generated when the count matches the value written into the counter MSB and LSB registers. This allows an interrupt to be generated and the counter halted when a particular count is reached. The stop condition will never occur if no value is written into the registers.

21.1.3 Block Diagram



21.1.4 Registers

| Register Name | Mnemonic | I/O Address | R/W | Reset |
|------------------------------------|----------|-------------|-----|----------|
| Input Capture Ctrl/Status Register | ICCSR | 0x0056 | R/W | 00000000 |
| Input Capture Control Register | ICCR | 0x0057 | W | 00000000 |
| Input Capture Trigger 1 Register | ICT1R | 0x0058 | R/W | 00000000 |
| Input Capture Source 1 Register | ICS1R | 0x0059 | R/W | xxxxxxxx |
| Input Capture LSB 1 Register | ICL1R | 0x005A | R | xxxxxxxx |
| Input Capture MSB 1 Register | ICM1R | 0x005B | R | xxxxxxxx |
| Input Capture Trigger 2 Register | ICT2R | 0x005C | R/W | 00000000 |
| Input Capture Source 2 Register | ICS2R | 0x005D | R/W | xxxxxxxx |
| Input Capture LSB 2 Register | ICL2R | 0x005E | R | xxxxxxxx |
| Input Capture MSB 2 Register | ICM2R | 0x005F | R | xxxxxxxx |

21.2 Dependencies

21.2.1 I/O Pins

Each input-capture channel can accept input from one of the following parallel port pins: PC1, PC3, PC5, PC7, PD1, PD3, PD5, PD7, PE1, PE3, PE5, PE7. Use ICTxR to select which input pin to trigger on.

Note that these pins can be used for other peripherals at the same time as the input-capture peripheral. For example, you can use input capture to use measure the pulse width on a serial port input to measure the baud rate.

21.2.2 Clocks

The 16-bit input-capture counters are clocked from the output of Timer A8, and can run at rates from $\text{perclk}/2$ down to $\text{perclk}/512$ by writing the appropriate value to TAT8R.

21.2.3 Other Registers

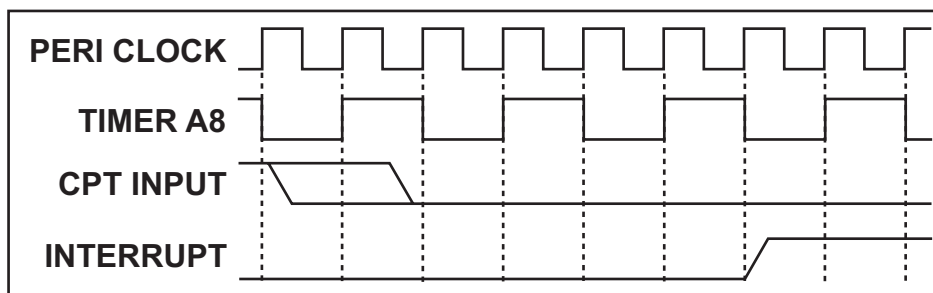
| Register | Function |
|----------|--|
| TAT8R | Time constant for input-capture clock. |

21.2.4 Interrupts

Each input capture channel can generate an interrupt whenever a start/stop condition occurs, or when the counter rolls over to zero. The interrupt request is cleared when ICCSR is read.

The input capture interrupt vector is in the IIR at offset 0x1A0. It can be set as Priority 1, 2, or 3.

The input-capture channels synchronize their inputs to the peripheral clock (further divided by Timer A8). Since the inputs are only sampled in synch with the peripheral clock, any faster state faster changes cannot be detected, which is akin to a digital low-pass filter functionality on the inputs. Because of this, there is some delay between the input transition and when an interrupt is requested, as shown below. The status bits in ICSxR are set coincident with the interrupt request and are reset when read from the ICSxR.



21.3 Operation

21.3.1 Input-Capture Channel

The following steps explain how to set up an input-capture channel.

1. Configure Timer A8 via TAT8R to provide the desired input-capture clock.
2. Configure ICTxR to provide the desired start/stop operation and conditions.
3. Configure ICSxR to select the input pins for the start and stop conditions.
4. Configure ICCR to select either the count or the capture mode.
5. Reset the counter by writing to ICCSR.

21.3.2 Handling Interrupts

The following steps explain how an interrupt is used.

1. Write the vector to the interrupt service routine to the internal interrupt table
2. Configure the Input Capture Control/Status Register (ICCSR) to select events that will generate an interrupt.
3. Configure the Input Capture Control Register (ICCR) to select the interrupt priority (note that interrupts will be enabled once this value is set; this step should be done last).

The following actions occur within the interrupt service routine.

- If needed, the current counter value can be read from ICLxR and LCMxR (reading from ICLxR latches the value of ICLxR, so ICLxR should always be read first)
- If the counter is expected to roll over, determine if that is why the interrupt occurred by reading the status bits in ICCSR and adjusting any software counters accordingly
- The interrupt request should be cleared by reading from ICCSR

21.3.3 Example ISR

A sample interrupt handler is shown below.

```
ic_isr:
    push af
    ioi ld a, (ICCSR)    ; clear the interrupt request and get status
                        ; determine which interrupts have occurred
                        ; if rollover, perform any necessary software counter adjustments here
                        ; read counter values
    pop af
    ipres
    ret
```

21.3.4 Capture Mode

Pulse Width or Time Between Events

The following steps explain how to measure the pulse width or time between events.

1. Select the same input pin to perform a pulse-width measurement between the start and stop conditions, or select two different input pins to measure time between events on those pins.
2. Set the counter to start on the start condition and stop on the stop condition, latch on the stop condition, and generate an interrupt on the stop condition.
3. In the interrupt handler, read out the counter to determine the pulse width or time interval between the two events.

Time-Stamp External Events

The following steps explain how to time-stamp external events.

1. Set the trigger for the desired event type.
2. Set the counter to run continuously, latch on the start (and/or stop) condition, and generate an interrupt on the start (and/or stop) condition
3. In the interrupt handler, read out the counter as an event timestamp.

Measure Time Interval from a Software Start to an External Event

The following steps explain how to measure the time interval between a software start and the occurrence of an external event.

1. Set up the counter to run continuously, latch on the stop condition, and generate an interrupt on the stop condition.
2. Set up the stop condition for the event of interest.
3. Reset the counter via ICCSR at the software start.
4. In the interrupt handler, read the counter as a time duration.

21.3.5 Count Mode

The following steps explain how to count pulses.

1. Enable the input-count mode by writing to ICCR and setting the counter to run continuously until the stop condition occurs and to latch on the start condition in ICTxR.
2. If an interrupt is desired at a particular count, write that value into the LSB and MSB registers, and enable the stop condition interrupt in ICCSR.
3. Set the start condition to match the signal type to be counted.
4. Reset the counter by writing to ICCSR.
5. Read the counter at any time to get the current count.
6. If a match value is enabled and generates an interrupt, you can re-enable the count mode by clearing the counter via ICCSR and re-enable the mode in ICTxR back to running continuously until the stop condition occurs.

21.4 Register Descriptions

| Input Capture Control/Status Register | | (ICCSR) | (Address = 0x0056) |
|---------------------------------------|-------|--|--------------------|
| Bit(s) | Value | Description | |
| 7 (Read) | 0 | The Input Capture 2 Start condition has not occurred. | |
| | 1 | The Input Capture 2 Start condition has occurred. | |
| 6 (Read) | 0 | The Input Capture 2 Stop condition has not occurred. | |
| | 1 | The Input Capture 2 Stop condition has occurred. | |
| 5 (Read) | 0 | The Input Capture 1 Start condition has not occurred. | |
| | 1 | The Input Capture 1 Start condition has occurred. | |
| 4 (Read) | 0 | The Input Capture 1 Stop condition has not occurred. | |
| | 1 | The Input Capture 1 Stop condition has occurred. | |
| 3 (Read) | 0 | The Input Capture 2 counter has not rolled over to all zeros. | |
| | 1 | The Input Capture 2 counter has rolled over to all zeros. | |
| 2 (Read) | 0 | The Input Capture 1 counter has not rolled over to all zeros. | |
| | 1 | The Input Capture 1 counter has rolled over to all zeros. | |
| 7:2 (Read) | | These status bits (but not the interrupt enable bits) are cleared by the read of this register, as is the Input Capture Interrupt. | |
| 7:4 (Write) | 0 | The corresponding Input Capture interrupt is disabled. | |
| | 1 | The corresponding Input Capture interrupt is enabled. | |
| 3 (Write) | 0 | No effect on Input Capture 2 counter. This bit always reads as zero. | |
| | 1 | Reset Input Capture 2 counter to all zeros and clears the rollover latch. | |
| 2 (Write) | 0 | No effect on Input Capture 1 counter. This bit always reads as zero. | |
| | 1 | Reset Input Capture 1 counter to all zeros and clears the rollover latch. | |
| 1:0 | | These bits are reserved and should be written with zeros. These bits will always be read as zeros. | |

| Input Capture Control Register (ICCR) (Address = 0x0057) | | |
|---|--------------|--|
| Bit(s) | Value | Description |
| 7 | 0 | Input Capture operation for Input Capture 2. |
| | 1 | Input Count operation for Input Capture 2. |
| 6 | 0 | Input Capture operation for Input Capture 1. |
| | 1 | Input Count operation for Input Capture 1. |
| 5:2 | | These bits are reserved and should be written with zero. |
| 1:0 | 00 | Input Capture interrupts are disabled. |
| | 01 | Input Capture interrupt use Interrupt Priority 1. |
| | 10 | Input Capture interrupt use Interrupt Priority 2. |
| | 11 | Input Capture interrupt use Interrupt Priority 3. |

| Input Capture Trigger x Register | | |
|---|--------------|--|
| | | (ICT1R) (ICT2R) |
| | | (Address = 0x0058) (Address = 0x005C) |
| Bit(s) | Value | Description |
| 7:6 | 00 | Disable the counter. Applies even in Counter operation. |
| | 01 | The counter runs from the Start condition until the Stop condition. |
| | 10 | The counter runs continuously. |
| | 11 | The counter runs continuously, until the Stop condition. |
| 5:4 | 00 | Disable the count latching function. In this case, and with Counter operation only, the ICLxR and ICMxR return the programmed match value. |
| | 01 | Latch the count on the Stop condition only. |
| | 10 | Latch the count on the Start condition only. |
| | 11 | Latch the count on either the Start or Stop condition. |
| 3:2 | 00 | Ignore the starting input. |
| | 01 | The Start condition is the rising edge of the starting input. |
| | 10 | The Start condition is the falling edge of the starting input. |
| | 11 | The Start condition is either edge of the starting input. |
| 1:0 | 00 | Ignore the ending input. These two bits are ignored in Counter operation. |
| | 01 | The Stop condition is the rising edge of the ending input. |
| | 10 | The Stop condition is the falling edge of the ending input. |
| | 11 | The Stop condition is either edge of the ending input. |

| Input Capture Source x Register | | (ICS1R) (ICS2R) | (Address = 0x0059) (Address = 0x005D) |
|--|--------------|--|--|
| Bit(s) | Value | Description | |
| 7:6 | 00 | Parallel Port C used for Start condition input. | |
| | 01 | Parallel Port D used for Start condition input. | |
| | 10 | Parallel Port E used for Start condition input. | |
| | 11 | This bit combination is reserved and should not be used. | |
| 5:4 | 00 | Use port bit 1 for Start condition input. | |
| | 01 | Use port bit 3 for Start condition input. | |
| | 10 | Use port bit 5 for Start condition input. | |
| | 11 | Use port bit 7 for Start condition input. | |
| 3:2 | 00 | Parallel Port C used for Stop condition input. | |
| | 01 | Parallel Port D used for Stop condition input. | |
| | 10 | Parallel Port E used for Stop condition input. | |
| | 11 | This bit combination is reserved and should not be used. | |
| 1:0 | 00 | Use port bit 1 for Stop condition input. | |
| | 01 | Use port bit 3 for Stop condition input. | |
| | 10 | Use port bit 5 for Stop condition input. | |
| | 11 | Use port bit 7 for Stop condition input. | |

| Input Capture LSB x Register | | (ICL1R) (ICL2R) | (Address = 0x005A) (Address = 0x005E) |
|-------------------------------------|--------------|--|--|
| Bit(s) | Value | Description | |
| 7:0 | Read | The least significant eight bits of the latched Input Capture count are returned. Reading the LSB of the count latches the MSB of the count to avoid reading stale data. Reading the MSB of the count opens these latches on the MSB of the count. In Counter operation, if no latching condition is specified the value written to this register is returned. | |
| | Write | The eight LSBs of the match value for counter mode are stored. | |

| Input Capture MSB x Register | | |
|-------------------------------------|--------------|--|
| | | (ICM1R) (ICM2R) |
| | | (Address = 0x005B) (Address = 0x005F) |
| Bit(s) | Value | Description |
| 7:0 | Read | The most significant eight bits of the latched Input capture count are returned. In Counter operation, if no latching condition is specified the value written to this register is returned. |
| | Write | The eight MSBs of the match value for counter mode are stored. |

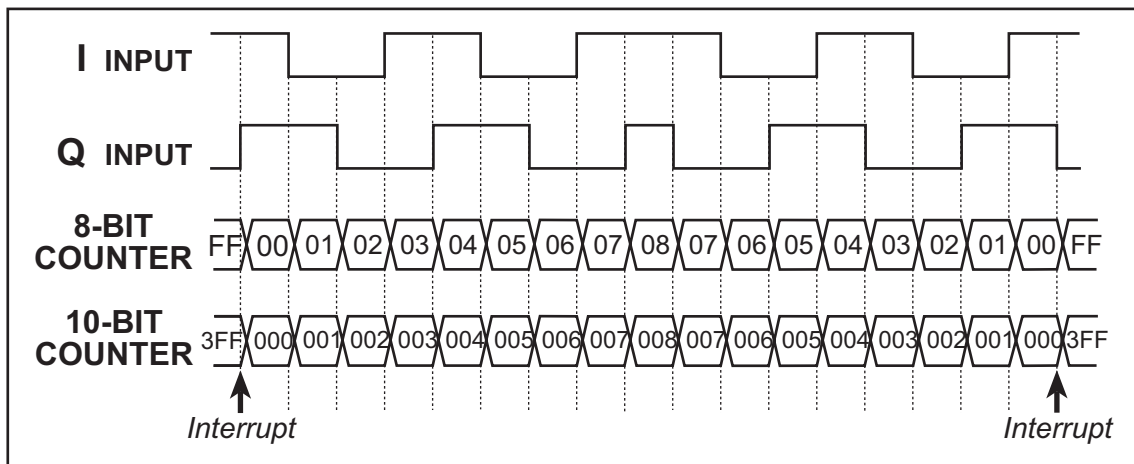
22. QUADRATURE DECODER

22.1 Overview

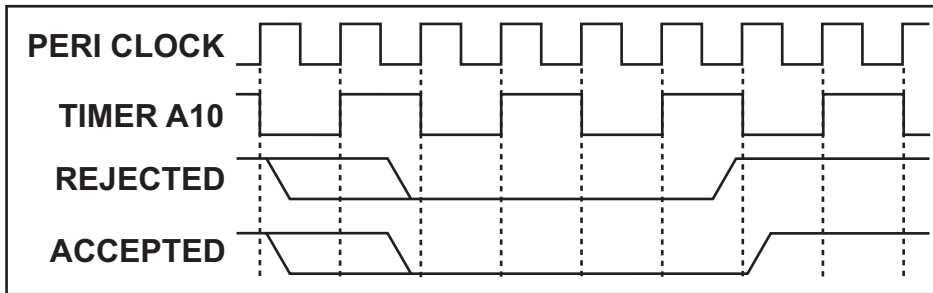
The Rabbit 4000 has a two-channel Quadrature Decoder that accepts inputs via specific pins on Parallel Ports D and E. Each channel has two inputs, the in-phase (I) input and the 90 degree or quadrature-phase (Q) input. An 8 or 10-bit up/down counter counts encoder steps in the forward and backward directions, and provides interrupts when the count goes from 0x00 to 0xFF or from 0xFF to 0x00. An interrupt can occur each time the count overflows or underflows. The Quadrature Decoder contains digital filters on the inputs to prevent false counts. The external signals are synchronized with an internal clock provided by the output of Timer A10.

Each Quadrature Decoder channel accepts inputs from either the upper nibble or lower nibble of Parallel Ports D and E. The I signal is input on an odd-numbered port bit, while the Q signal is input on an even-numbered port bit. There is also a disable selection, which is guaranteed not to generate a count increment or decrement on either entering or exiting the disabled state.

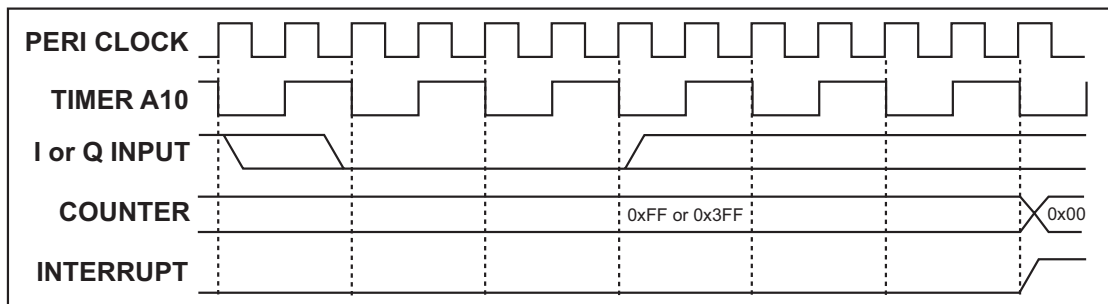
The operation of the counter as a function of the I and Q inputs is shown below.



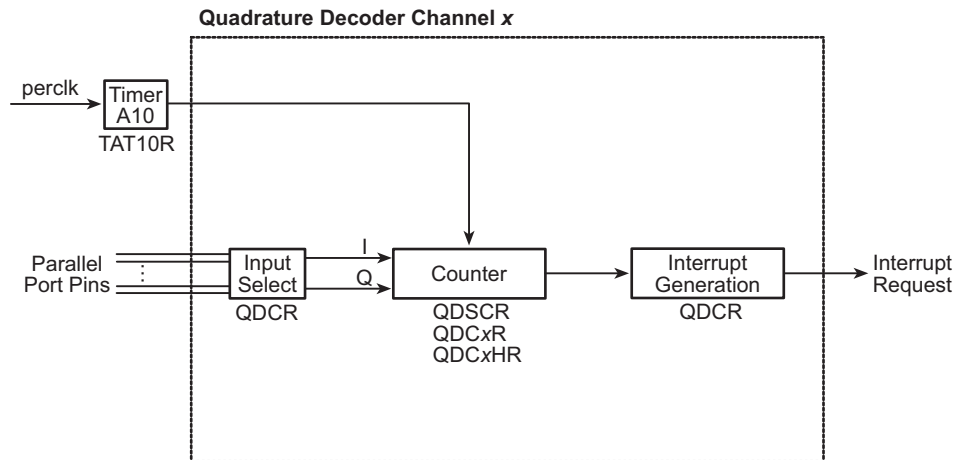
The Quadrature Decoders are clocked by the output of Timer A10, giving a maximum clock rate from $\text{perclk}/2$ down to $\text{perclk}/512$. The time constant of Timer A10 must be fast enough to sample the inputs properly. Both the I and Q inputs go through a digital filter that rejects pulses shorter than two clock period wide. In addition, the clock rate must be high enough that transitions on the I and Q inputs are sampled in different clock cycles. Input capture may be used to measure the pulse width on the I inputs because they come from the odd-numbered port bits. The operation of the digital filter is shown below.



The Quadrature Decoder generates an interrupt when the counter increments from 0xFF (0x3FF in 10-bit mode) to 0x00, or when the counter decrements from 0x00 to 0xFF (0x3FF in 10-bit mode). The timing for the interrupt is shown below. Note that the status bits in the QDCSR are set coincident with the interrupt, and the interrupt and status bits are cleared by reading the QDCSR.



22.1.1 Block Diagram



22.1.2 Registers

| Register Name | Mnemonic | I/O Address | R/W | Reset |
|-----------------------------------|----------|-------------|-----|----------|
| Quad Decode Ctrl/Status Register | QDCSR | 0x0090 | R/W | xxxxxxxx |
| Quad Decode Control Register | QDCR | 0x0091 | R/W | 00000000 |
| Quad Decode Count 1 Register | QDC1R | 0x0094 | R | xxxxxxxx |
| Quad Decode Count 1 High Register | QDC1HR | 0x0095 | R | xxxxxxxx |
| Quad Decode Count 2 Register | QDC2R | 0x0096 | R | xxxxxxxx |
| Quad Decode Count 2 High Register | QDC2HR | 0x0097 | R | xxxxxxxx |

22.2 Dependencies

22.2.1 I/O Pins

Each Quadrature Decoder channel can accept the two encoder inputs from one of three different locations, as shown in the table below. Each channel can select a different input option. Note that these pins can be used for other peripherals at the same time as the Quadrature Decoder peripheral; one example of this use is to use measure pulse width on the I channels with the input capture peripheral.

| Inputs | Channel 1 | | Channel 2 | |
|----------|-----------|-----|-----------|-----|
| | I | Q | I | Q |
| Option 1 | PD1 | PD0 | PD3 | PD2 |
| Option 2 | PE1 | PE0 | PE3 | PE2 |
| Option 3 | PE5 | PE4 | PE7 | PE6 |

22.2.2 Clocks

The 8/10-bit Quadrature Decoder counters are clocked from the output of Timer A10, and can run at rates from the peripheral clock divided by 2 down to the peripheral clock divided by 512 by writing the appropriate value to TAT10R. The clock rate must be high enough that transitions on the inputs are sampled in different clock cycles. In addition, both the I and Q inputs go through a digital filter that rejects pulses shorter than two clock periods wide.

22.2.3 Other Registers

| Register | Function |
|----------|--|
| TAT10R | Time constant for Quadrature Decoder clock |

22.2.4 Interrupts

Each Quadrature Decoder channel can generate an interrupt whenever the counter increments from 0x0FF (0x3FF in 10-bit mode) to 0x00 or when the counter decrements from 0x000 to 0x0FF (0x3FF for 10-bit mode). The interrupt request is cleared when QDCSR is read.

The Quadrature Decoder interrupt vector is in the IIR at offset 0x190. It can be set as Priority 1, 2, or 3.

The status bits in the QDCSR are set coincident with the interrupt request and are reset when QDCSR is read.

22.3 Operation

The following steps explain how to set up a Quadrature Decoder channel.

1. Configure Timer A10 via TAT10R to provide the desired Quadrature Decoder clock speed.
2. Configure QDCR to select the input pins for the two channels.
3. Reset the counters by writing to QDCSR.

22.3.1 Handling Interrupts

The following steps explain how an interrupt is set up and used.

1. Write the vector to the interrupt service routine to the internal interrupt table.
2. Configure QDCR to select the interrupt priority (note that interrupts will be enabled once this value is set).

The following actions occur within the interrupt service routine.

- Since a Quadrature Decoder interrupt occurs when the counter rolls over, determine exactly why the interrupt occurred by reading the status bits in QDCSR and adjust any software counters accordingly. This will also clear the interrupt request.
- The current counter value can be read from QDCxR (and QDCxHR if the 10-bit counter is enabled).

22.3.2 Example ISR

A sample interrupt handler is shown below.

```
qd_isr:
    push af                ; save used registers
    iorl a, (QDCSR)       ; clear the interrupt request and get status

    ; perform any necessary software counter adjustments here
    ; read current counter value(s)

    pop af                ; restore used registers
    ipres
    ret
```

22.4 Register Descriptions

| Quad Decode Control/Status Register (QDCSR) (Address = 0x0090) | | |
|--|-------|--|
| Bit(s) | Value | Description |
| 7 (Read-only) | 0 | Quadrature Decoder 2 did not increment from the maximum count. |
| | 1 | Quadrature Decoder 2 incremented from the maximum count to 0x000. This bit is cleared by a read of his register. |
| 6 (Read-only) | 0 | Quadrature Decoder 2 did not decrement from zero. |
| | 1 | Quadrature Decoder 2 decremented from zero to the maximum count. This bit is cleared by a read of this register. |
| 5 | | This bit always reads as zero. |
| 4 (Write-only) | 0 | No effect on the Quadrature Decoder 2. |
| | 1 | Reset Quadrature Decoder 2 to all zeros, without causing an interrupt. |
| 3 (Read-only) | 0 | Quadrature Decoder 1 did not increment from the maximum count. |
| | 1 | Quadrature Decoder 1 incremented from the maximum count to zero. This bit is cleared by a read of this register. |
| 2 (Read-only) | 0 | Quadrature Decoder 1 did not decrement from zero. |
| | 1 | Quadrature Decoder 1 decremented from zero to the maximum count. This bit is cleared by a read of this register. |
| 1 | | This bit always reads as zero. |
| 0 (Write-only) | 0 | No effect on the Quadrature Decoder 1. |
| | 1 | Reset Quadrature Decoder 1 to all zeros, without causing an interrupt. |

| Quad Decode Control Register (QDCR) (Address = 0x0091) | | |
|---|--------------|---|
| Bit(s) | Value | Description |
| 7:6 | 00 | Disable Quadrature Decoder 2 inputs. Writing a new value to these bits will not cause Quadrature Decoder 2 to increment or decrement. |
| | 01 | Quadrature Decoder 2 inputs from Parallel Port D bits 3 and 2. |
| | 10 | Quadrature Decoder 2 inputs from Parallel Port E bits 3 and 2. |
| | 11 | Quadrature Decoder 2 inputs from Parallel Port E bits 7 and 6. |
| 5 | 0 | Eight bit quadrature decoder counters (both channels). |
| | 1 | Ten bit quadrature decoder counters (both channels). |
| 4 | | This bit is reserved and should be written as zero. |
| 3:2 | 00 | Disable Quadrature Decoder 1 inputs. Writing a new value to these bits will not cause Quadrature Decoder 1 to increment or decrement. |
| | 01 | Quadrature Decoder 1 inputs from Parallel Port D bits 1 and 0. |
| | 10 | Quadrature Decoder 1 inputs from Parallel Port E bits 1 and 0. |
| | 11 | Quadrature Decoder 1 inputs from Parallel Port E bits 5 and 4. |
| 1:0 | 00 | Quadrature Decoder interrupts are disabled. |
| | 01 | Quadrature Decoder interrupt use Interrupt Priority 1. |
| | 10 | Quadrature Decoder interrupt use Interrupt Priority 2. |
| | 11 | Quadrature Decoder interrupt use Interrupt Priority 3. |

| Quad Decode Count Register (QDC1R) (Address = 0x0094) (QDC2R) (Address = 0x0096) | | |
|---|--------------|--|
| Bit(s) | Value | Description |
| 7:0 | read | The current value of bits 7-0 of the Quadrature Decoder counter is reported. |

| Quad Decode Count High Register (QDC1HR) (Address = 0x0095) (QDC2HR) (Address = 0x0097) | | |
|--|--------------|--|
| Bit(s) | Value | Description |
| 7:2 | read | These bits are reserved and will always read as zeros. |
| 1:0 | read | The current value of bits 9-8 of the Quadrature Decoder counter is reported. |

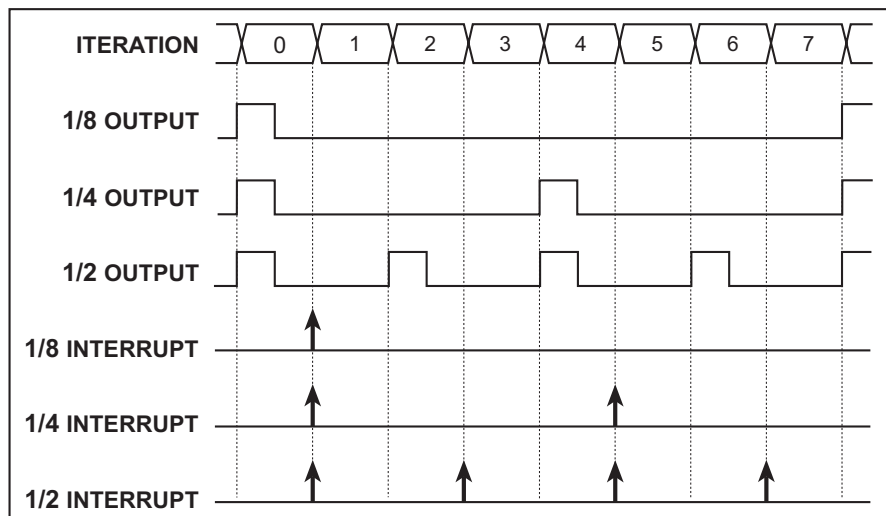
23. PULSE WIDTH MODULATOR

23.1 Overview

The Pulse Width Modulator (PWM) consists of a 10-bit free running counter and four width registers. A PWM output consists of a train of periodic pulses within a 1024-count frame with a duty cycle that varies from 1/1024 to 1024/1024. Each PWM output is high for $n + 1$ counts out of the 1024-clock count cycle, where n is the value held in the width register. The PWM is clocked by the output of Timer A9 which is used to set the period.

Each PWM output high time can optionally be spread throughout the cycle to reduce ripple on the externally filtered PWM output. The PWM outputs can be passed through a filter and used as a 10-bit D/A converter. The outputs can also be used to directly drive devices such as motors or solenoids that have intrinsic filtering.

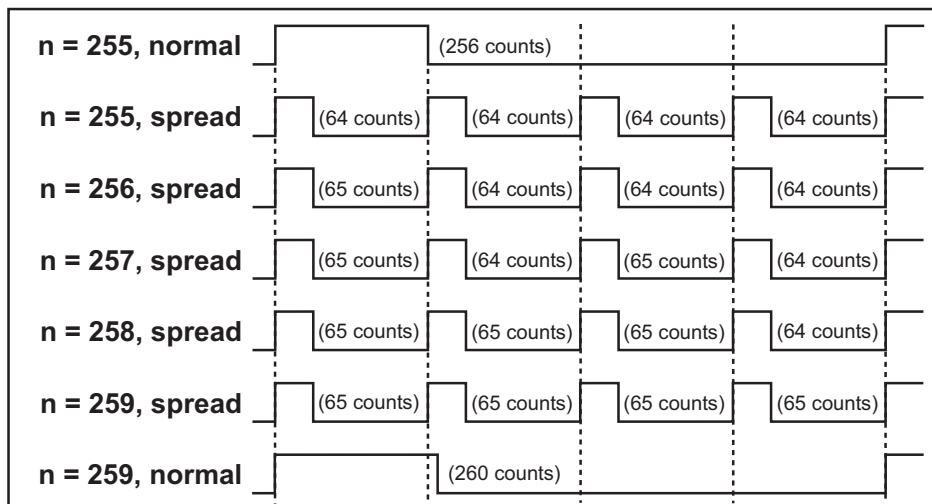
The PWM outputs can trigger a PWM interrupt on every PWM cycle, every other cycle, every fourth cycle, or every eighth cycle. In addition, the PWM output can be suppressed every other cycle, three out of every four cycles, or seven out of every eight cycles. These options provide support for driving servos and to generate audio signals. The setup for this interrupt is done in the PWL0R and PWL1R registers. The timing is shown below.



The spreading function is implemented by dividing each 1024-clock cycle into four quadrants of 256 clocks each. Within each quadrant, the Pulse-Width Modulator uses the eight MSBs of each pulse-width register to select the base width in each of the quadrants. This is the equivalent to dividing the contents of the pulse-width register by four and using this value in each quadrant. To get the exact high time, the Pulse-Width Modulator uses the two LSBs of the pulse-width register to modify the high time in each quadrant according to the table below. The “ $n/4$ ” term is the base count, formed from the eight MSBs of the pulse-width register.

| Pulse-Width LSBs | 1st | 2nd | 3rd | 4th |
|------------------|-----------|-----------|-----------|-----------|
| 00 | $n/4 + 1$ | $n/4$ | $n/4$ | $n/4$ |
| 01 | $n/4 + 1$ | $n/4$ | $n/4 + 1$ | $n/4$ |
| 10 | $n/4 + 1$ | $n/4 + 1$ | $n/4 + 1$ | $n/4$ |
| 11 | $n/4 + 1$ | $n/4 + 1$ | $n/4 + 1$ | $n/4 + 1$ |

The diagram below shows a PWM output for several different width values, for both modes of operation. Operation in the spread mode reduces the filtering requirements on the PWM output in most cases.



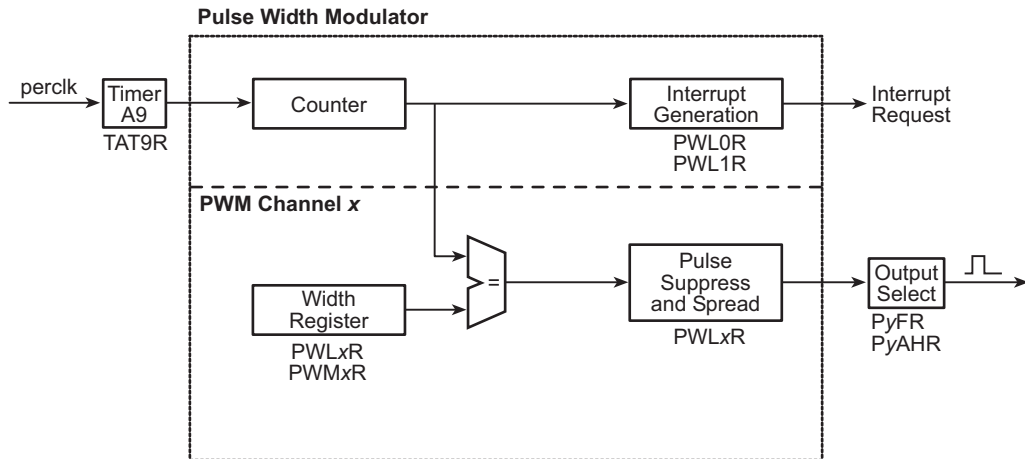
The DMA channels on the Rabbit 4000 are designed to work with fixed I/O addresses. To allow DMA control of the PWM, a separate PWM Block Access Register (PWBAR) and PWM Block Pointer Register (PWBPR) are available. The pointer register contains the address of the PWM register to be accessed via the access register. Each read or write of the access register automatically increments the pointer register through the sequence shown below. Note that only the lower three bits of the pointer register actually change. This allows the DMA to write to a fixed internal I/O location but still program all of the PWM registers. The pointer register can be written and read if necessary. Normally the

pointer register is initialized to 0x88 (the first PWM register) and the DMA then transfers blocks of eight bytes to completely reprogram the PWM.

0x88 -> 0x89 -> 0x8A -> 0x8B -> 0x8C -> 0x8D -> 0x8E -> 0x8F ->

When the DMA destination address is the PWBAR, the DMA request from the PWM is automatically connected to the DMA.

23.1.1 Block Diagram



23.1.2 Registers

| Register Name | Mnemonic | I/O Address | R/W | Reset |
|----------------------------|----------|-------------|-----|----------|
| PWM LSB 0 Register | PWL0R | 0x0088 | R/W | xxxxx00x |
| PWM MSB 0 Register | PWM0R | 0x0089 | R/W | xxxxxxxx |
| PWM LSB 1 Register | PWL1R | 0x008A | R/W | xxxxx00x |
| PWM MSB 1 Register | PWM1R | 0x008B | R/W | xxxxxxxx |
| PWM LSB 2 Register | PWL2R | 0x008C | R/W | xxxxx00x |
| PWM MSB 2 Register | PWM2R | 0x008D | R/W | xxxxxxxx |
| PWM LSB 3 Register | PWL3R | 0x008E | R/W | xxxxx00x |
| PWM MSB 3 Register | PWM3R | 0x008F | R/W | xxxxxxxx |
| PWM Block Access Register | PWBAR | 0x00E8 | W | xxxxxxxx |
| PWM Block Pointer Register | PWBPR | 0x00E9 | W | 10001000 |

23.2 Dependencies

23.2.1 I/O Pins

Each PWM channel can be output on up one of three pins, which can be selected via the parallel port alternate output registers.

| PWM | Output Pins |
|-----------|---------------|
| Channel 0 | PC4, PD4, PE4 |
| Channel 1 | PC5, PD5, PE5 |
| Channel 2 | PC6, PD6, PE6 |
| Channel 3 | PC7, PD7, PE7 |

23.2.2 Clocks

The PWM counter is clocked from the output of Timer A9, and can run at rates from $\text{perclk}/2$ down to $\text{perclk}/512$ by writing the appropriate value to TAT9R.

23.2.3 Other Registers

| Register | Function |
|---|---------------------------------|
| TAT9R | Time constant for PWM clock |
| PCFR, PCAHR PDFR, PDAHR PEFR, PEAHR | Alternate port output selection |

23.2.4 Interrupts

The PWM can generate an interrupt for every PWM counter rollover, every second rollover, every fourth rollover, or every eighth rollover. This option is selected in PWL1R. The interrupt request is cleared by a write to any PWM register.

The PWM interrupt vector is in the IIR at offset 0x170. It can be set as Priority 1, 2, or 3 by writing to PWL0R.

23.3 Operation

The following steps explain how to set up a PWM channel.

1. Configure Timer A9 via TAT9R to provide the desired PWM clock frequency.
2. Configure PWLxR to select whether to spread the PWM output throughout the cycle.
3. Configure PWLxR to select whether to suppress the PWM output.
4. Configure the duty cycle by writing to PWLxR and PWMxR.

23.3.1 Handling Interrupts

The following steps explain how an interrupt is set up and used.

1. Write the vector to the interrupt service routine to the internal interrupt table.
2. Configure PWL0R to select the PWM interrupt priority and PWL1R to select PWM interrupt suppression (if an interrupt is desired).

The following actions occur within the interrupt service routine.

- Any PWM values may be updated.
- The interrupt request should be cleared by writing to any PWM register.

23.3.2 Example ISR

A sample interrupt handler is shown below.

```
pwm_isr::
    push af                ; save used registers
    ld a, 0x55
    ioi ld (PWM0R), a     ; update a PWM value
    ; note that interrupt request is also cleared by register write above
    pop af                ; restore used registers
    ipres
    ret
```

23.4 Register Descriptions

| PWM LSB 0 Register | | (PWL0R) | (Address = 0x0088) |
|--------------------|-------|---|--------------------|
| Bit(s) | Value | Description | |
| 7:6 | | Least significant two bits for the Pulse Width Modulator count. | |
| 5:4 | 00 | Normal PWM operation. | |
| | 01 | Suppress PWM output seven out of eight iterations of PWM counter. | |
| | 10 | Suppress PWM output three out of four iterations of PWM counter. | |
| | 11 | Suppress PWM output one out of two iterations of PWM counter. | |
| 3 | | This bit is ignored and should be written with zero. | |
| 2:1 | 00 | Pulse Width Modulator interrupts are disabled. | |
| | 01 | Pulse Width Modulator interrupts use Interrupt Priority 1. | |
| | 10 | Pulse Width Modulator interrupts use Interrupt Priority 2. | |
| | 11 | Pulse Width Modulator interrupts use Interrupt Priority 3. | |
| 0 | 0 | PWM output High for single block. | |
| | 1 | Spread PWM output throughout the cycle. | |

| PWM LSB 1 Register | | (PWL1R) | (Address = 0x008A) |
|--------------------|-------|---|--------------------|
| Bit(s) | Value | Description | |
| 7:6 | | Least significant two bits for the Pulse Width Modulator count. | |
| 5:4 | 00 | Normal PWM operation. | |
| | 01 | Suppress PWM output seven out of eight iterations of PWM counter. | |
| | 10 | Suppress PWM output three out of four iterations of PWM counter. | |
| | 11 | Suppress PWM output one out of two iterations of PWM counter. | |
| 3 | | This bit is ignored and should be written with zero. | |
| 2:1 | 00 | Normal PWM interrupt operation. | |
| | 01 | Suppress PWM interrupts seven out of eight iterations of PWM counter. | |
| | 10 | Suppress PWM interrupts three out of four iterations of PWM counter. | |
| | 11 | Suppress PWM interrupts one out of two iterations of PWM counter. | |
| 0 | 0 | PWM output High for single block. | |
| | 1 | Spread PWM output throughout the cycle. | |

| PWM LSB x Register | | | (PWL2R) (PWL3R) | (Address = 0x008C) (Address = 0x008E) |
|---------------------------|--------------|---|----------------------------------|--|
| Bit(s) | Value | Description | | |
| 7:6 | | Least significant two bits for the Pulse Width Modulator count. | | |
| 5:4 | 00 | Normal PWM operation. | | |
| | 01 | Suppress PWM output seven out of eight iterations of PWM counter. | | |
| | 10 | Suppress PWM output three out of four iterations of PWM counter. | | |
| | 11 | Suppress PWM output one out of two iterations of PWM counter. | | |
| 3:1 | | These bits are ignored and should be written with zero. | | |
| 0 | 0 | PWM output High for single block. | | |
| | 1 | Spread PWM output throughout the cycle. | | |

| PWM MSB x Register | | | (PWM0R) (PWM1R) (PWM2R) (PWM3R) | (Address = 0x0089) (Address = 0x008B) (Address = 0x008D) (Address = 0x008F) |
|---------------------------|--------------|---|--|--|
| Bit(s) | Value | Description | | |
| 7:0 | | Most significant eight bits for the Pulse Width Modulator count. With a count of “n”, the PWM output will be High for “n + 1” clocks out of the 1024 clocks of the PWM counter. | | |

| PWM Block Access Register | | | (PWBAR) | (Address = 0x00E8) |
|----------------------------------|--------------|---|----------------|---------------------------|
| Bit(s) | Value | Description | | |
| 7:0 | | Access the PWM register pointed to by the PWBPR. The PWBPR is automatically updated to the next PWM register address in the sequence. | | |

| PWM Block Pointer Register | | | (PWBPR) | (Address = 0x00E9) |
|-----------------------------------|--------------|---|----------------|---------------------------|
| Bit(s) | Value | Description | | |
| 7:3 | | These bits are ignored and should be written with zero. | | |
| 2:0 | | Three least significant bits of the PWM register address for indirect access. | | |



24. EXTERNAL I/O CONTROL

24.1 Overview

The Rabbit 4000's external I/O space consists of 64KB that is accessed by prefixing a read or write instruction with the IOE instruction. These accesses can go onto the memory bus or onto the external I/O bus (described below). There are three dedicated signal pins (/IORD, /IOWR, /BUFEN) that toggle for all external I/O accesses, and eight I/O strobes that can be associated with this external I/O space and directed out of Parallel Ports C, D, or E.

In addition, a handshaking signal input can be enabled on a Parallel Port E pin, and used to pause an external I/O transaction until the external device is ready to complete the transaction. A timeout period can be defined to ensure that the processor is not held indefinitely by a misbehaving external device.

24.1.1 Auxiliary I/O Bus

The Rabbit 4000 can enable a separate auxiliary I/O bus for external devices to keep bus loading on the memory bus at an acceptable level. This bus consists of eight data lines on Parallel Port A and up to eight address lines on Parallel Port B. This functionality is mutually exclusive with the slave port and regular parallel I/O on Parallel Ports A and B.

When enabled, the address lines of the auxiliary I/O bus hold their value until a new value is written to them. The data lines return to a tristate mode after each transaction.

See Section 24.1.2 for memory timing for external I/O accesses.

24.1.2 I/O Strobes

There are eight I/O strobes available in the Rabbit 4000. Each has a separate 8KB address range that can be enabled as a chip select, read strobe, write strobe, or a read/write strobe. The number of wait states can be set to 1, 3, 7, or 15, and the signal can be active high or low.

Table 24-1. External I/O Strobes

| Register | External I/O Address Range |
|----------|----------------------------|
| IB0CR | 0x0000–0x1FFF |
| IB1CR | 0x2000–0x3FFF |
| IB2CR | 0x4000–0x5FFF |
| IB3CR | 0x6000–0x7FFF |
| IB4CR | 0x8000–0x9FFF |
| IB5CR | 0xA000–0xBFFF |
| IB6CR | 0xC000–0xDFFF |
| IB7CR | 0xE000–0xFFFF |

The I/O strobes can be used for devices on the memory bus or the auxiliary I/O bus, and can be enabled to go out on the memory bus alone or both buses. It is also possible to shorten the read strobe by one clock cycle and the write strobe by one-half a clock cycle by pulling in the trailing edge, which guarantees one clock cycle of hold time for transactions.

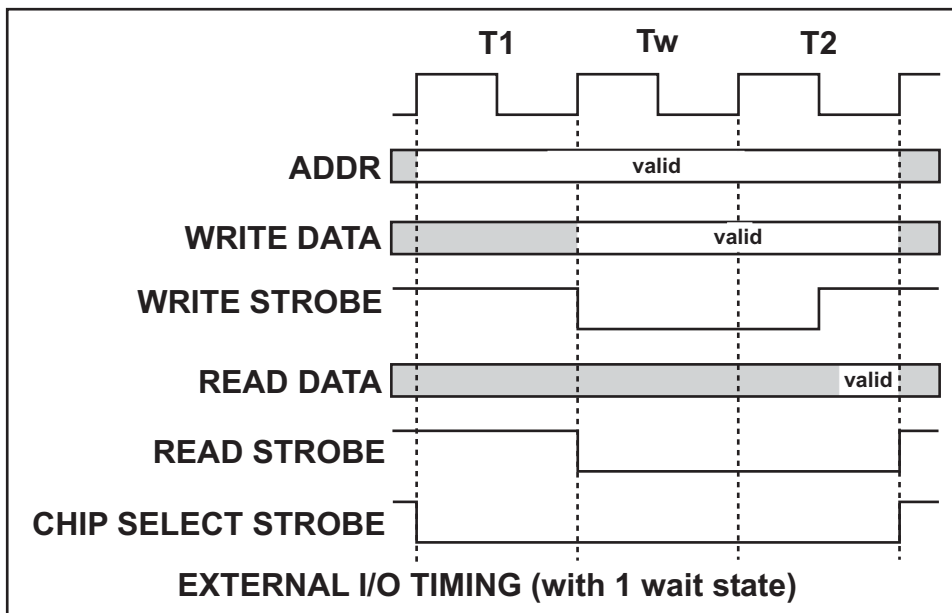


Figure 24-1. Auxiliary I/O Bus Cycles

The strobes can be enabled to come out on Parallel Ports C, D, or E.

By default the I/O strobes are configured as read-only chip selects with 15 wait states and normal timing. These settings will affect the /IORD, /IOWR, and /BUFEN signals for external I/O writes even if no other strobe outputs are enabled in the parallel port registers.

24.1.3 I/O Handshake

An external I/O handshake input can be enabled on one of the Parallel Port E pins for any combination of the I/O banks. The external device holds this signal (active high or low) when it is busy and cannot accept a transaction. The Rabbit 4000 will then hold midway through the transaction until either the handshake signal goes inactive or a timeout occurs. The timeout can be defined anywhere from 32 to 2048 clocks. When the timeout occurs, the transaction ends and a status bit is set. This bit must be checked by the program attempting the write; no interrupt is generated.

The I/O handshake signal is sampled at the end of the first wait state (T_w). When the handshake signal is disabled, the transition will start at the beginning of the T_w phase and continue to completion.

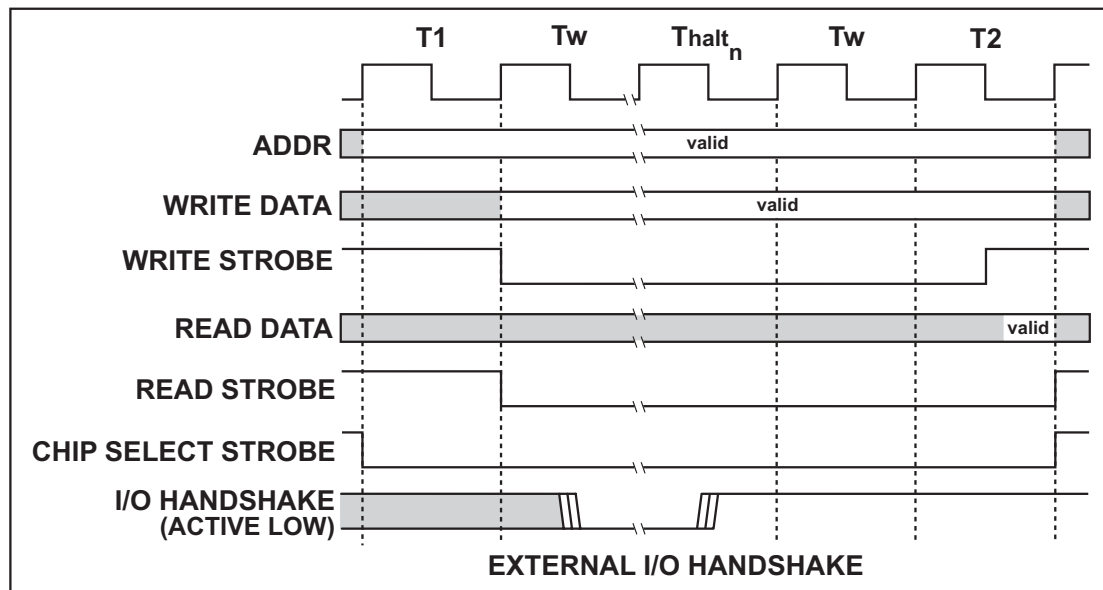
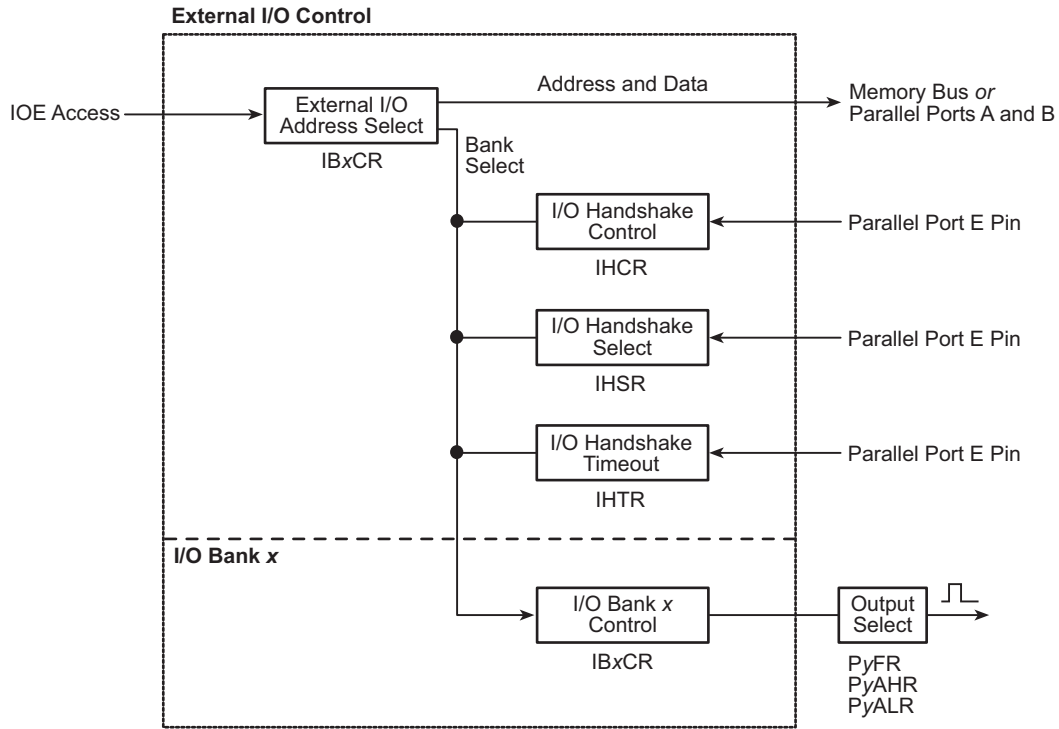


Figure 24-2. External I/O Handshake Timing Diagram

24.1.4 Block Diagram



24.1.5 Registers

| Register Name | Mnemonic | I/O Address | R/W | Reset |
|--------------------------------|----------|-------------|-----|----------|
| I/O Handshake Control Register | IHCR | 0x0028 | R/W | 00000000 |
| I/O Handshake Select Register | IHSR | 0x0029 | R/W | 00000000 |
| I/O Handshake Timeout Register | IHTR | 0x002A | R/W | 00000000 |
| I/O Bank 0 Control Register | IB0CR | 0x0080 | W | 00000000 |
| I/O Bank 1 Control Register | IB1CR | 0x0081 | W | 00000000 |
| I/O Bank 2 Control Register | IB2CR | 0x0082 | W | 00000000 |
| I/O Bank 3 Control Register | IB3CR | 0x0083 | W | 00000000 |
| I/O Bank 4 Control Register | IB4CR | 0x0084 | W | 00000000 |
| I/O Bank 5 Control Register | IB5CR | 0x0085 | W | 00000000 |
| I/O Bank 6 Control Register | IB6CR | 0x0086 | W | 00000000 |
| I/O Bank 7 Control Register | IB7CR | 0x0087 | W | 00000000 |

24.2 Dependencies

24.2.1 I/O Pins

The auxiliary I/O bus uses PA0–PA7 for data, and either PB2–PB7 or PB0–PB7 for address lines, depending on the setting in SPCR. Address bits 6 and 7 can also be enabled on pins PD1, PD3, PD5, or PD7, which allows PB0 and PB1 to be used as clocked serial I/O instead of as external I/O..

The /IOWR, /IORD, and /BUFEN pins are dedicated strobes for external I/O accesses.

The I/O strobes can be directed out to pins on Parallel Ports C, D, or E; each bank can be directed to the appropriate pin (bank zero on PC0, PD0, or PE0; bank one on PC1, PD1, or PE1; etc.). The strobes will affect outputs on /IOWR, /IORD, and /BUFEN at all times.

The I/O handshake can be input on any one of the Parallel Port E pins (PE0–PE7).

24.2.2 Clocks

All external I/O accesses, strobes, and handshake timeouts are based on the processor clock.

24.2.3 Other Registers

| Register | Function |
|---|--|
| SPCR | Enable the auxiliary I/O bus. |
| PCFR, PCALR, PCAHR PDFR, PDALR, PDAHR, PEFR, PEALR, PEAHR | Select Parallel Port C, D, or E pins as I/O strobe outputs. Select PD1, PD3, PD5, or PD7 as address bits 6-7. |

24.2.4 Interrupts

There are no interrupts associated with external I/O.

24.3 Operation

24.3.1 Auxiliary I/O Bus

The following steps must be taken before using auxiliary I/O bus:

1. Enable the auxiliary I/O bus by writing to SPCR. Select whether 6 or 8 address bits are desired.
2. If PB0 and PB1 are needed for clocked serial use and eight address bits are required, enable the alternate outputs of address bits 6 and 7 on Parallel Port D by writing to PDALR, PDAHR, and PDFR.
3. Set the I/O timing for a particular device by writing to the appropriate IBxCR register for the I/O bank desired.
4. If a strobe other than /IORD, /IOWR, or /BUFEN is required, enable the output of the IBxCR register by writing to the appropriate PxALR, PxAHR, and PxFR registers.

Once the auxiliary I/O bus is enabled, all memory read/write instructions prefixed with an IOE will go to either the memory bus or auxiliary I/O bus, depending on the setup in that bank's IBxCR register.

24.3.2 I/O Strobes

The following steps must be taken before using an I/O strobe:

1. Set the strobe type and timing for a particular device by writing to the appropriate IBxCR register for the I/O bank desired.
2. If signals other than /IORD, /IOWR, and /BUFEN are required, enable the output of the IBxCR register by writing to the appropriate PxALR, PxAHR, and PxFR registers.

On startup, the I/O strobes are set as chip selects with 15 wait states, read-only, active-low signaling, and will use the auxiliary I/O bus. These settings will be used for the dedicated I/O strobe pins /IORD, /IOWR, and /BUFEN whenever an external I/O write occurs even if not I/O strobe signals are being output on parallel port pins.

24.3.3 I/O Handshake

The following steps must be taken before using the I/O handshake:

1. Select the active level and desired port E bit to use as input by writing to IHCR.
2. Select which I/O banks the handshake is active for by writing to IHSR.
3. Select the handshake timeout value by writing to IHTR.

Once enabled, the handshake will be checked for every external I/O transaction in a bank that was enabled in IHSR. After these transactions, the program should check for a timeout by reading IHTR.

24.4 Register Descriptions

| I/O Handshake Control Register (IHCR) (Address = 0x0028) | | |
|---|--------------|--|
| Bit(s) | Value | Description |
| 7:5 | | These bits are reserved and should be written with zeros. |
| 4 | 0 | I/O handshake is active low (I/O transaction held until signal goes high). |
| | 1 | I/O handshake is active high (I/O transaction held until signal goes low). |
| 3 | | This bit is reserved and should be written with zero. |
| 2:0 | 000 | Use Parallel Port E bit 0 for I/O handshake. |
| | 001 | Use Parallel Port E bit 1 for I/O handshake. |
| | 010 | Use Parallel Port E bit 2 for I/O handshake. |
| | 011 | Use Parallel Port E bit 3 for I/O handshake. |
| | 100 | Use Parallel Port E bit 4 for I/O handshake. |
| | 101 | Use Parallel Port E bit 5 for I/O handshake. |
| | 110 | Use Parallel Port E bit 6 for I/O handshake. |
| | 111 | Use Parallel Port E bit 7 for I/O handshake. |

| I/O Handshake Select Register (IHSR) (Address = 0x0029) | | |
|--|--------------|---------------------------------------|
| Bit(s) | Value | Description |
| 7 | 0 | Disable I/O handshake for I/O Bank 7. |
| | 1 | Enable I/O handshake for I/O Bank 7. |
| 6 | 0 | Disable I/O handshake for I/O Bank 6. |
| | 1 | Enable I/O handshake for I/O Bank 6. |
| 5 | 0 | Disable I/O handshake for I/O Bank 5. |
| | 1 | Enable I/O handshake for I/O Bank 5. |
| 4 | 0 | Disable I/O handshake for I/O Bank 4. |
| | 1 | Enable I/O handshake for I/O Bank 4. |
| 3 | 0 | Disable I/O handshake for I/O Bank 3. |
| | 1 | Enable I/O handshake for I/O Bank 3. |
| 2 | 0 | Disable I/O handshake for I/O Bank 2. |
| | 1 | Enable I/O handshake for I/O Bank 2. |
| 1 | 0 | Disable I/O handshake for I/O Bank 1. |
| | 1 | Enable I/O handshake for I/O Bank 1. |
| 0 | 0 | Disable I/O handshake for I/O Bank 0. |
| | 1 | Enable I/O handshake for I/O Bank 0. |

| I/O Handshake Timeout Register (IHTR) (Address = 0x002A) | | |
|---|--------------|---|
| Bit(s) | Value | Description |
| 7 | 0 | No I/O handshake timeout has occurred since the last read of this register. |
| | 1 | An I/O handshake timeout has occurred since the last read of this register. This bit is cleared by a read of this register. |
| 6 | | This bit is reserved and should be written with zero. |
| 5:0 | | Time constant for the I/O handshake timeout counter. This time constant (times 32) selects the number of clocks that the I/O handshake input may delay completion of an I/O transaction before the I/O transaction will complete automatically. |

| I/O Bank x Control Register | | |
|------------------------------------|--------------|---|
| | | (IB0CR) (Address = 0x0080) |
| | | (IB1CR) (Address = 0x0081) |
| | | (IB2CR) (Address = 0x0082) |
| | | (IB3CR) (Address = 0x0083) |
| | | (IB4CR) (Address = 0x0084) |
| | | (IB5CR) (Address = 0x0085) |
| | | (IB6CR) (Address = 0x0086) |
| | | (IB7CR) (Address = 0x0087) |
| Bit(s) | Value | Description |
| 7:6 | 00 | Fifteen wait states for accesses in this bank. |
| | 01 | Seven wait states for accesses in this bank. |
| | 10 | Three wait states for accesses in this bank. |
| | 11 | One wait state for accesses in this bank. |
| 5:4 | 00 | The I signal is an I/O chip select. |
| | 01 | The I signal is an I/O read strobe. |
| | 10 | The I signal is an I/O write strobe. |
| | 11 | The I signal is an I/O data (read or write) strobe. |
| 3 | 0 | Writes are not allowed to this bank. Transactions are normal in every other way; only the write strobe is inhibited. |
| | 1 | Writes are allowed to this bank. |
| 2 | 0 | Active-low I signal. |
| | 1 | Inverted (active-high) I signal. |
| 1 | 0 | Normal I/O transaction timing. |
| | 1 | Shorten read strobe by one clock cycle and write strobe by one-half clock cycle. Transaction length remains the same. This guarantees one clock cycle hold time for both address and data for I/O transactions. |
| 0 | 0 | Use I/O bus if enabled. |
| | 1 | Always use memory data bus. |

| Slave Port Control Register (SPCR) (Address = 0x0024) | | |
|--|--------------|--|
| Bit(s) | Value | Description |
| 7 | 0 | Program fetch as a function of the SMODE pins. |
| | 1 | Ignore the SMODE pins program fetch function. |
| 6:5 | Read | These bits report the state of the SMODE pins. |
| | Write | These bits are ignored and should be written with zero. |
| 4:2 | 000 | Disable the slave port. Parallel Port A is a byte-wide input port. |
| | 001 | Disable the slave port. Parallel Port A is a byte-wide output port. |
| | 010 | Enable the slave port, with /SCS from Parallel Port E bit 7. |
| | 011 | Enable the auxiliary I/O bus. Parallel Port A is used for the data bus and Parallel Port B[7:2] is used for the address bus. |
| | 100 | This bit combination is reserved and should not be used. |
| | 101 | This bit combination is reserved and should not be used. |
| | 110 | Enable the slave port, with /SCS from Parallel Port B bit 6. |
| | 111 | Enable the auxiliary I/O bus. Parallel Port A is used for the data bus and Parallel Port B[7:0] is used for the address bus. |
| 1:0 | 00 | Slave port interrupts are disabled. |
| | 01 | Slave port interrupts use Interrupt Priority 1. |
| | 10 | Slave port interrupts use Interrupt Priority 2. |
| | 11 | Slave port interrupts use Interrupt Priority 3. |

| Parallel Port C Alternate Low Register (PCALR) (Address = 0x0052) | | |
|--|--------------|--|
| Bit(s) | Value | Description |
| 7:6 | 00 | Parallel Port C bit 3 alternate output 0 (TXC). |
| | 01 | Parallel Port C bit 3 alternate output 1 (I3). |
| | 10 | Parallel Port C bit 3 alternate output 2 (TIMER C3). |
| | 11 | Parallel Port C bit 3 alternate output 3 (SCLKD). |
| 5:4 | 00 | Parallel Port C bit 2 alternate output 0 (TXC). |
| | 01 | Parallel Port C bit 2 alternate output 1 (I2). |
| | 10 | Parallel Port C bit 2 alternate output 2 (TIMER C2). |
| | 11 | Parallel Port C bit 2 alternate output 3 (TXF). |
| 3:2 | 00 | Parallel Port C bit 1 alternate output 0 (TXD). |
| | 01 | Parallel Port C bit 1 alternate output 1 (I1). |
| | 10 | Parallel Port C bit 1 alternate output 2 (TIMER C1). |
| | 11 | Parallel Port C bit 1 alternate output 3 (RCLKF). |
| 1:0 | 00 | Parallel Port C bit 0 alternate output 0 (TXD). |
| | 01 | Parallel Port C bit 0 alternate output 1 (I0). |
| | 10 | Parallel Port C bit 0 alternate output 2 (TIMER C0). |
| | 11 | Parallel Port C bit 0 alternate output 3 (TCLKF). |

| Parallel Port C Alternate High Register (PCAHR) (Address = 0x0053) | | |
|---|--------------|---|
| Bit(s) | Value | Description |
| 7:6 | 00 | Parallel Port C bit 7 alternate output 0 (TXA). |
| | 01 | Parallel Port C bit 7 alternate output 1 (I7). |
| | 10 | Parallel Port C bit 7 alternate output 2 (PWM3). |
| | 11 | Parallel Port C bit 7 alternate output 3 (SCLKC). |
| 5:4 | 00 | Parallel Port C bit 6 alternate output 0 (TXA). |
| | 01 | Parallel Port C bit 6 alternate output 1 (I6). |
| | 10 | Parallel Port C bit 6 alternate output 2 (PWM2). |
| | 11 | Parallel Port C bit 6 alternate output 3 (TXE). |
| 3:2 | 00 | Parallel Port C bit 5 alternate output 0 (TXB). |
| | 01 | Parallel Port C bit 5 alternate output 1 (I5). |
| | 10 | Parallel Port C bit 5 alternate output 2 (PWM1). |
| | 11 | Parallel Port C bit 5 alternate output 3 (RCLKE). |
| 1:0 | 00 | Parallel Port C bit 4 alternate output 0 (TXB). |
| | 01 | Parallel Port C bit 4 alternate output 1 (I4). |
| | 10 | Parallel Port C bit 4 alternate output 2 (PWM0). |
| | 11 | Parallel Port C bit 4 alternate output 3 (TCLKE). |

| Parallel Port C Function Register (PCFR) (Address = 0x0055) | | |
|--|--------------|---|
| Bit(s) | Value | Description |
| 7:0 | 0 | The corresponding port bit functions normally. |
| | 1 | The corresponding port bit carries its alternate signal as an output. See Table 10-1. |

| Parallel Port D Alternate Low Register (PDALR) (Address = 0x0062) | | |
|--|--------------|--|
| Bit(s) | Value | Description |
| 7:6 | 00 | Parallel Port D bit 3 alternate output 0 (IA7). |
| | 01 | Parallel Port D bit 3 alternate output 1 (I3). |
| | 10 | Parallel Port D bit 3 alternate output 2 (TIMER C3). |
| | 11 | Parallel Port D bit 3 alternate output 3 (SCLKD). |
| 5:4 | 00 | Parallel Port D bit 2 alternate output 0 (SCLKC). |
| | 01 | Parallel Port D bit 2 alternate output 1 (I2). |
| | 10 | Parallel Port D bit 2 alternate output 2 (TIMER C2). |
| | 11 | Parallel Port D bit 2 alternate output 3 (TXF). |
| 3:2 | 00 | Parallel Port D bit 1 alternate output 0 (IA6). |
| | 01 | Parallel Port D bit 1 alternate output 1 (I1). |
| | 10 | Parallel Port D bit 1 alternate output 2 (TIMER C1). |
| | 11 | Parallel Port D bit 1 alternate output 3 (RCLKF). |
| 1:0 | 00 | Parallel Port D bit 0 alternate output 0 (SCLKD). |
| | 01 | Parallel Port D bit 0 alternate output 1 (I0). |
| | 10 | Parallel Port D bit 0 alternate output 2 (TIMER C0). |
| | 11 | Parallel Port D bit 0 alternate output 3 (TCLKF). |

| Parallel Port D Alternate High Register (PDAHR) (Address = 0x0063) | | |
|---|--------------|---|
| Bit(s) | Value | Description |
| 7:6 | 00 | Parallel Port D bit 7 alternate output 0 (IA7). |
| | 01 | Parallel Port D bit 7 alternate output 1 (I7). |
| | 10 | Parallel Port D bit 7 alternate output 2 (PWM3). |
| | 11 | Parallel Port D bit 7 alternate output 3 (SCLKC). |
| 5:4 | 00 | Parallel Port D bit 6 alternate output 0 (TXA). |
| | 01 | Parallel Port D bit 6 alternate output 1 (I6). |
| | 10 | Parallel Port D bit 6 alternate output 2 (PWM2). |
| | 11 | Parallel Port D bit 6 alternate output 3 (TXE). |
| 3:2 | 00 | Parallel Port D bit 5 alternate output 0 (IA6). |
| | 01 | Parallel Port D bit 5 alternate output 1 (I5). |
| | 10 | Parallel Port D bit 5 alternate output 2 (PWM1). |
| | 11 | Parallel Port D bit 5 alternate output 3 (RCLKE). |
| 1:0 | 00 | Parallel Port D bit 4 alternate output 0 (TXB). |
| | 01 | Parallel Port D bit 4 alternate output 1 (I4). |
| | 10 | Parallel Port D bit 4 alternate output 2 (PWM0). |
| | 11 | Parallel Port D bit 4 alternate output 3 (TCLKE). |

| Parallel Port D Function Register (PDFR) (Address = 0x0065) | | |
|--|--------------|---|
| Bit(s) | Value | Description |
| 7:0 | 0 | The corresponding port bit functions normally. |
| | 1 | The corresponding port bit carries its alternate signal as an output. See Table 11-1. |

| Parallel Port E Alternate Low Register (PEALR) (Address = 0x0072) | | |
|--|--------------|--|
| Bit(s) | Value | Description |
| 7:6 | 00 | Parallel Port E bit 3 alternate output 0 (I3). |
| | 01 | Parallel Port E bit 3 alternate output 1 (A23). |
| | 10 | Parallel Port E bit 3 alternate output 2 (TIMER C3). |
| | 11 | Parallel Port E bit 3 alternate output 3 (SCLKD). |
| 5:4 | 00 | Parallel Port E bit 2 alternate output 0 (I2). |
| | 01 | Parallel Port E bit 2 alternate output 1 (A22). |
| | 10 | Parallel Port E bit 2 alternate output 2 (TIMER C2). |
| | 11 | Parallel Port E bit 2 alternate output 3 (TXF). |
| 3:2 | 00 | Parallel Port E bit 1 alternate output 0 (I1). |
| | 01 | Parallel Port E bit 1 alternate output 1 (A21). |
| | 10 | Parallel Port E bit 1 alternate output 2 (TIMER C1). |
| | 11 | Parallel Port E bit 1 alternate output 3 (RCLKF). |
| 1:0 | 00 | Parallel Port E bit 0 alternate output 0 (I0). |
| | 01 | Parallel Port E bit 0 alternate output 1 (A20). |
| | 10 | Parallel Port E bit 0 alternate output 2 (TIMER C0). |
| | 11 | Parallel Port E bit 0 alternate output 3 (TCLKF). |

| Parallel Port E Alternate High Register (PEAHR) (Address = 0x0073) | | |
|---|--------------|---|
| Bit(s) | Value | Description |
| 7:6 | 00 | Parallel Port E bit 7 alternate output 0 (I7). |
| | 01 | Parallel Port E bit 7 alternate output 1 (/ACT). |
| | 10 | Parallel Port E bit 7 alternate output 2 (PWM3). |
| | 11 | Parallel Port E bit 7 alternate output 3 (SCLKC). |
| 5:4 | 00 | Parallel Port E bit 6 alternate output 0 (I6). |
| | 01 | Parallel Port E bit 6 alternate output 1 (—). |
| | 10 | Parallel Port E bit 6 alternate output 2 (PWM2). |
| | 11 | Parallel Port E bit 6 alternate output 3 (TXE). |
| 3:2 | 00 | Parallel Port E bit 5 alternate output 0 (I5). |
| | 01 | Parallel Port E bit 5 alternate output 1 (/LINK). |
| | 10 | Parallel Port E bit 5 alternate output 2 (PWM1). |
| | 11 | Parallel Port E bit 5 alternate output 3 RCLKE). |
| 1:0 | 00 | Parallel Port E bit 4 alternate output 0 (I4). |
| | 01 | Parallel Port E bit 4 alternate output 1 (/A0). |
| | 10 | Parallel Port E bit 4 alternate output 2 (PWM0). |
| | 11 | Parallel Port E bit 4 alternate output 3 (TCLKE). |

| Parallel Port E Function Register (PEFR) (Address = 0x0075) | | |
|--|--------------|---|
| Bit(s) | Value | Description |
| 7:0 | 0 | The corresponding port bit functions normally. |
| | 1 | The corresponding port bit carries its alternate signal as an output. See Table 12-1. |

25. BREAKPOINTS

25.1 Overview

The Rabbit 4000 contains seven hardware breakpoints to support debugging. Each hardware breakpoint consists of a 24-bit address match register and a 24-bit mask register. A breakpoint can be generated on an address match for address execution, data read, data write, or any combination thereof. The mask register serves to mask off selected address bits from the address compare. A “one” in a particular bit position in the mask register inhibits the corresponding bit in the address match register from contributing to the address match condition.

When a match occurs, a Level 3 breakpoint interrupt is generated. Note that this means that breakpoints behave differently when the processor is running at Interrupt Priority 3 — the interrupt is generated but will not be handled until the processor drops to a lower priority.

In most cases, a code execution interrupt will be handled at the end of the instruction in which the match occurred. However, because of the time required to perform a 24-bit address match in the processor, a code execution breakpoint that is set on a single-byte, 2-clock instruction will not yet be enabled at the end of that instruction, and the interrupt will instead occur at the end of the next instruction.

Note that a breakpoint may be forced to be pending by setting the corresponding bit in BDCR. This feature allows a breakpoint request to be used as a virtual single-step request by always setting the appropriate bit in the interrupt handler. There is a particular sequence of instructions required to exit properly when the interrupt is left pending.

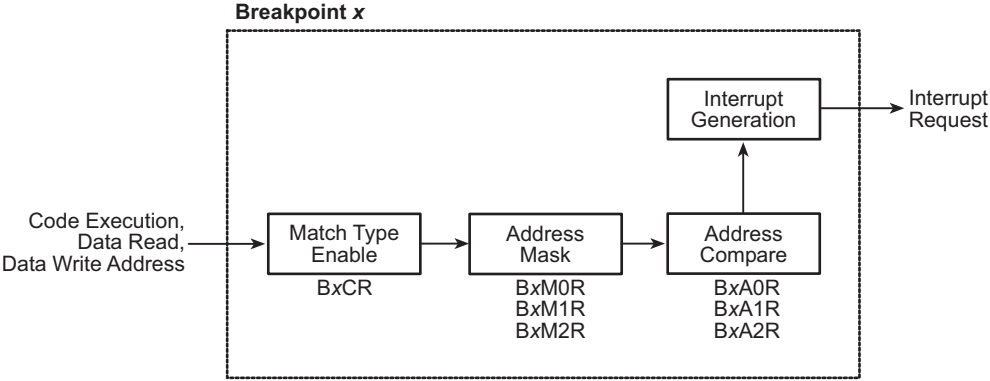
DMA transfers are treated as normal data reads and writes, although the DMA transfer will complete before the interrupt is taken.

Breakpoints can be enabled for the User Mode, the System Mode, or both.

Another breakpoint feature is the ability to disable the RST 28h instruction. The RST 28h vector was often used as a breakpoint feature by adding that instruction to code; by enabling a bit in BDCR, the RST 28h instruction will execute as a NOP instead, providing an easy way to disable that type of breakpoint.

Note that hardware breakpoints do not differentiate between memory and I/O accesses. Hardware breakpoints are triggered by both memory and by internal I/O reads and writes. This behavior could potentially make it hard to detect a low-memory situation when using breakpoints if internal I/O reads/writes are occurring, but it allows inadvertent I/O accesses to be identified.

25.1.1 Block Diagram



25.1.2 Registers

| Register Name | Mnemonic | I/O Address | R/W | Reset |
|-------------------------------------|----------|-------------|-----|----------|
| Breakpoint Debug/Control Register | BDCR | 0x001C | R/W | 00000000 |
| Breakpoint 0 Control Register | B0CR | 0x030B | R/W | 00000000 |
| Breakpoint 1 Control Register | B1CR | 0x031B | R/W | 00000000 |
| Breakpoint 2 Control Register | B2CR | 0x032B | R/W | 00000000 |
| Breakpoint 3 Control Register | B3CR | 0x033B | R/W | 00000000 |
| Breakpoint 4 Control Register | B4CR | 0x034B | R/W | 00000000 |
| Breakpoint 5 Control Register | B5CR | 0x035B | R/W | 00000000 |
| Breakpoint 6 Control Register | B6CR | 0x036B | R/W | 00000000 |
| Breakpoint 0 Address [0–2] Register | B0AxR | 0x030C + x | R/W | 00000000 |
| Breakpoint 1 Address [0–2] Register | B1AxR | 0x031C + x | R/W | 00000000 |
| Breakpoint 2 Address [0–2] Register | B2AxR | 0x032C + x | R/W | 00000000 |
| Breakpoint 3 Address [0–2] Register | B3AxR | 0x033C + x | R/W | 00000000 |
| Breakpoint 4 Address [0–2] Register | B4AxR | 0x034C + x | R/W | 00000000 |
| Breakpoint 5 Address [0–2] Register | B5AxR | 0x035C + x | R/W | 00000000 |
| Breakpoint 6 Address [0–2] Register | B6AxR | 0x036C + x | R/W | 00000000 |
| Breakpoint 0 Mask [0–2] Register | B0MxR | 0x0308 + x | R/W | 00000000 |
| Breakpoint 1 Mask [0–2] Register | B1MxR | 0x0318 + x | R/W | 00000000 |
| Breakpoint 2 Mask [0–2] Register | B2MxR | 0x0328 + x | R/W | 00000000 |
| Breakpoint 3 Mask [0–2] Register | B3MxR | 0x0338 + x | R/W | 00000000 |
| Breakpoint 4 Mask [0–2] Register | B4MxR | 0x0348 + x | R/W | 00000000 |
| Breakpoint 5 Mask [0–2] Register | B5MxR | 0x0358 + x | R/W | 00000000 |
| Breakpoint 6 Mask [0–2] Register | B6MxR | 0x0368 + x | R/W | 00000000 |

25.2 Dependencies

25.2.1 I/O Pins

There are no I/O pins associated with breakpoints.

25.2.2 Clocks

There are no clocks associated with breakpoints.

25.2.3 Other Registers

There are no other registers associated with breakpoints.

25.2.4 Interrupts

When an enabled address match occurs for a given breakpoint, a breakpoint interrupt occurs. The breakpoint that caused the interrupt must be determined by reading BDCR, which also clears the interrupt. Any of the breakpoint interrupts can be enabled by writing to BDCR.

The breakpoint interrupt vector is in the EIR at offset 0x040. It is always set to Interrupt Priority 3, and is the highest priority interrupt; if two Interrupt Priority 3 vectors are pending, the breakpoint interrupt will always be handled first.

25.3 Operation

The following steps must be taken to enable breakpoints:

1. Write the vector to the interrupt service routine to the external interrupt table.
2. Write the desired breakpoint addresses to the appropriate breakpoint address registers (BxAyR, where x is the breakpoint and y is the byte of the address, 0-2).
3. Write an address mask for the given breakpoints (BxMyR).
4. Select the breakpoint address match type (execute, data read, data write) by writing to the appropriate BxCR.
5. Enable the desired breakpoints by writing to BDCR.

25.3.1 Handling Interrupts

The following actions occur within the interrupt service routine.

- Which breakpoints are pending should be determined by reading BDCR. This also clears the pending breakpoints.
- The desired breakpoint action should be taken.
- If single-step functionality is desired, the breakpoint interrupt should be re-enabled by writing the appropriate bit to BDCR. If this is done, the interrupt handler needs to be exited in a particular manner (see below).

25.3.2 Example ISR

A sample interrupt handler is shown below.

```
breakpoint_isr::
  push af
  ioi ld a, (BDCR) ; determine which interrupts are pending and
                  ; clear the interrupt request

  ; handle all breakpoints here

  ; reenale any breakpoints by writing to BDCR

  pop af
  ipres          ; you must exit the handler with these two
  ret            ; instructions if you reenaled breakpoints
```

25.4 Register Descriptions

| Breakpoint/Debug Control Register (BDCR) (Address = 0x001C) | | |
|--|--------------|--|
| Bit(s) | Value | Description |
| 7 | 0 | Normal RST 28h operation. |
| | 1 | RST 28h is NOP. |
| 6:0 | 0 | The corresponding Breakpoint request is not pending. |
| | 1 | The corresponding Breakpoint request is pending. Reading this register automatically clears all pending breakpoint requests. |
| 6:0 | 0 | No effect on the corresponding Breakpoint request. |
| | 1 | Make the corresponding Breakpoint request pending. |

| Breakpoint x Control Register (B0CR) (Address = 0x030B) | | |
|--|--------------|--|
| (B1CR) (Address = 0x031B) | | |
| (B2CR) (Address = 0x032B) | | |
| (B3CR) (Address = 0x033B) | | |
| (B4CR) (Address = 0x034B) | | |
| (B5CR) (Address = 0x036B) | | |
| (B6CR) (Address = 0x037B) | | |
| Bit(s) | Value | Description |
| 7:6 | 00 | No Breakpoint x on execute address match. |
| | 01 | Breakpoint x on User Mode execute address match. |
| | 10 | Breakpoint x on System Mode execute address match. |
| | 11 | Breakpoint x on System or User Mode execute address match. |
| 5:4 | 00 | No breakpoint x on data read address match. |
| | 01 | Breakpoint x on User Mode data read address match. |
| | 10 | Breakpoint x on System Mode data read address match. |
| | 11 | Breakpoint x on System or User Mode data read address match. |
| 3:2 | 00 | No breakpoint x on write address match. |
| | 01 | Breakpoint x on User Mode write address match. |
| | 10 | Breakpoint x on System Mode write address match. |
| | 11 | Breakpoint x on System or User Mode write address match. |
| 1:0 | | These bits are reserved and should be written with zeros. |

| Breakpoint x Address 0 Register | | |
|--|---------|-----------------------------|
| | (B0A0R) | (Address = 0x030C) |
| | (B1A0R) | (Address = 0x031C) |
| | (B2A0R) | (Address = 0x032C) |
| | (B3A0R) | (Address = 0x033C) |
| | (B4A0R) | (Address = 0x034C) |
| | (B5A0R) | (Address = 0x036C) |
| | (B6A0R) | (Address = 0x037C) |
| Bit(s) | Value | Description |
| 7:0 | | Breakpoint x Address [7:0]. |

| Breakpoint x Address 1 Register | | |
|--|---------|------------------------------|
| | (B0A1R) | (Address = 0x030D) |
| | (B1A1R) | (Address = 0x031D) |
| | (B2A1R) | (Address = 0x032D) |
| | (B3A1R) | (Address = 0x033D) |
| | (B4A1R) | (Address = 0x034D) |
| | (B5A1R) | (Address = 0x036D) |
| | (B6A1R) | (Address = 0x037D) |
| Bit(s) | Value | Description |
| 7:0 | | Breakpoint x Address [15:8]. |

| Breakpoint x Address 2 Register | | |
|--|---------|-------------------------------|
| | (B0A2R) | (Address = 0x030E) |
| | (B1A2R) | (Address = 0x031E) |
| | (B2A2R) | (Address = 0x032E) |
| | (B3A2R) | (Address = 0x033E) |
| | (B4A2R) | (Address = 0x034E) |
| | (B5A2R) | (Address = 0x036E) |
| | (B6A2R) | (Address = 0x037E) |
| Bit(s) | Value | Description |
| 7:0 | | Breakpoint x Address [23:16]. |

| Breakpoint x Mask 0 Register | | |
|-------------------------------------|----------------|--|
| | (B0M0R) | (Address = 0x0308) |
| | (B1M0R) | (Address = 0x0318) |
| | (B2M0R) | (Address = 0x0328) |
| | (B3M0R) | (Address = 0x0338) |
| | (B4M0R) | (Address = 0x0348) |
| | (B5M0R) | (Address = 0x0368) |
| | (B6M0R) | (Address = 0x0378) |
| Bit(s) | Value | Description |
| 7:0 | | Breakpoint x Mask [7:0]. (A one in a bit position inhibits the address compare for that bit position.) |

| Breakpoint x Mask 1 Register | | |
|-------------------------------------|----------------|---|
| | (B0M1R) | (Address = 0x0309) |
| | (B1M1R) | (Address = 0x0319) |
| | (B2M1R) | (Address = 0x0329) |
| | (B3M1R) | (Address = 0x0339) |
| | (B4M1R) | (Address = 0x0349) |
| | (B5M1R) | (Address = 0x0369) |
| | (B6M1R) | (Address = 0x0379) |
| Bit(s) | Value | Description |
| 7:0 | | Breakpoint x Mask [15:8]. (A one in a bit position inhibits the address compare for that bit position.) |

| Breakpoint x Mask 2 Register | | |
|-------------------------------------|----------------|--|
| | (B0M2R) | (Address = 0x030A) |
| | (B1M2R) | (Address = 0x031A) |
| | (B2M2R) | (Address = 0x032A) |
| | (B3M2R) | (Address = 0x033A) |
| | (B4M2R) | (Address = 0x034A) |
| | (B5M2R) | (Address = 0x036A) |
| | (B6M2R) | (Address = 0x037A) |
| Bit(s) | Value | Description |
| 7:0 | | Breakpoint x Mask [23:16]. (A one in a bit position inhibits the address compare for that bit position.) |

26. LOW-POWER OPERATION

26.1 Overview

The Rabbit 4000 contains several power-saving features. Since the power consumed by the processor is proportional to the clock speed, the Rabbit 4000 provides 12 clock modes that can go as low as 2 kHz. To further reduce power consumption in those ultra-sleepy modes, various shortened chip select strobes are available to reduce current draw by the attached memory devices.

Figure 26-1 shows a typical current draw as a function of the main clock frequency. The values shown do not include any current consumed by external oscillators or memory. It is assumed that approximately 30 pF is connected to each address line.

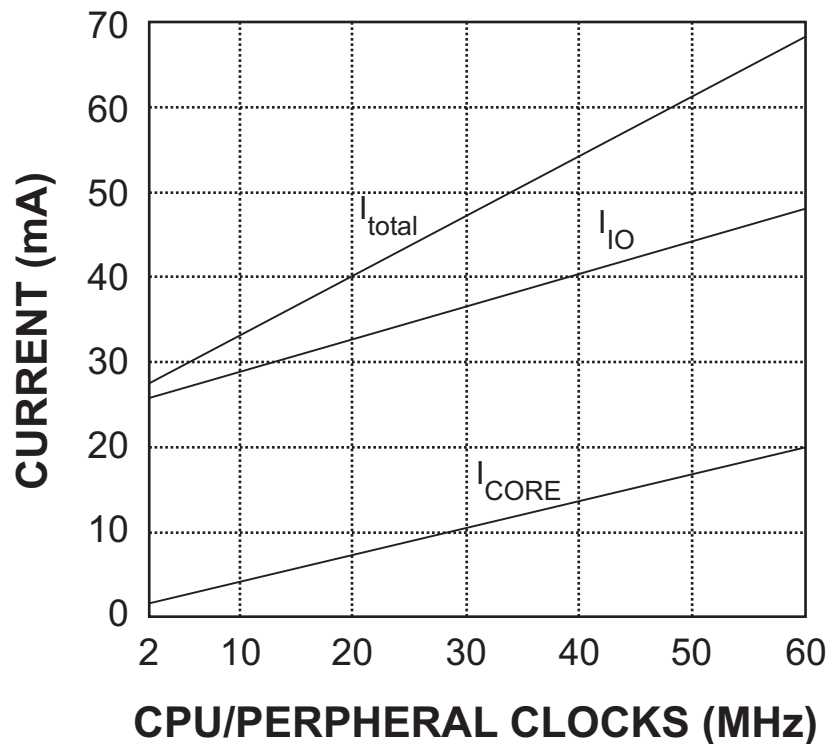


Figure 26-1. Typical Current Draw as a Function of the Main Clock Frequency

Figure 26-2 shows a typical current draw for the ultra sleepy modes.

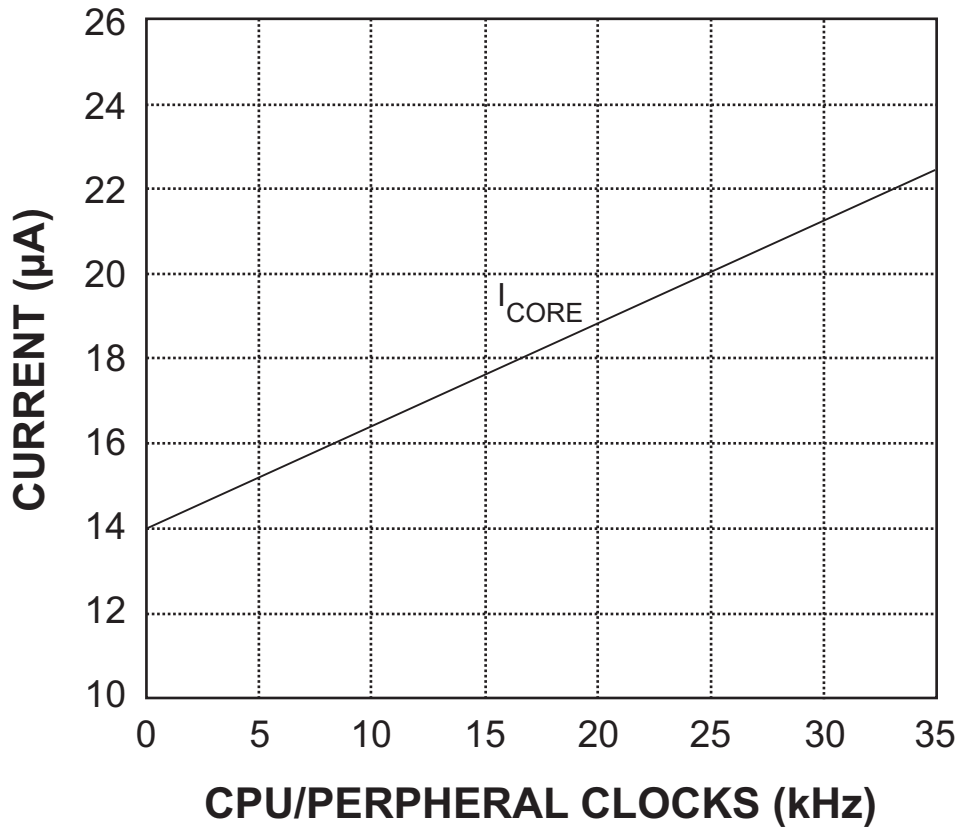


Figure 26-2. Typical Current Draw for the Ultra Sleepy Modes

26.1.1 Registers

| Register Name | Mnemonic | I/O Address | R/W | Reset |
|------------------------------------|----------|-------------|-----|----------|
| Global Control/Status Register | GCSR | 0x0000 | R/W | 11000000 |
| Global Power Save Control Register | GPSCR | 0x000D | R/W | 00000000 |
| Global Clock Double Register | GCDR | 0x000F | R/W | 00000000 |

26.2 Operation

26.2.1 Unused Pins

Input (or bidirectional) pins that are unused in a design can pick up noise that may cause the transistors in the input buffer to switch states quickly, causing unnecessary current draw. To avoid this, all unused pins should be connected to a weak pullup or pulldown resistor (approximately 100 kΩ) and left as inputs. This provides protection from noise when the pin is an input, but also limits the current draw if the pin gets inadvertently enabled as an output.

26.2.2 Clock Rates

The processor and peripheral clocks in the Rabbit 4000 can be run in six different modes using the main oscillator: full speed; divided by 2, 4, 6, or 8; and the processor clock divided by 8 with the peripheral clock at full speed. If the clock doubler is enabled, the options also include twice the main oscillator frequency and the main oscillator divided by 3.

In addition, the 32 kHz clock can be used for the processor and peripheral clocks; the 32 kHz clock can also be divided by 2, 4, 8, or 16, which provides dramatically lower power consumption.

Table 26-1 lists the options for the clock modes and the processor clock frequency.

Table 26-1. Clock Modes

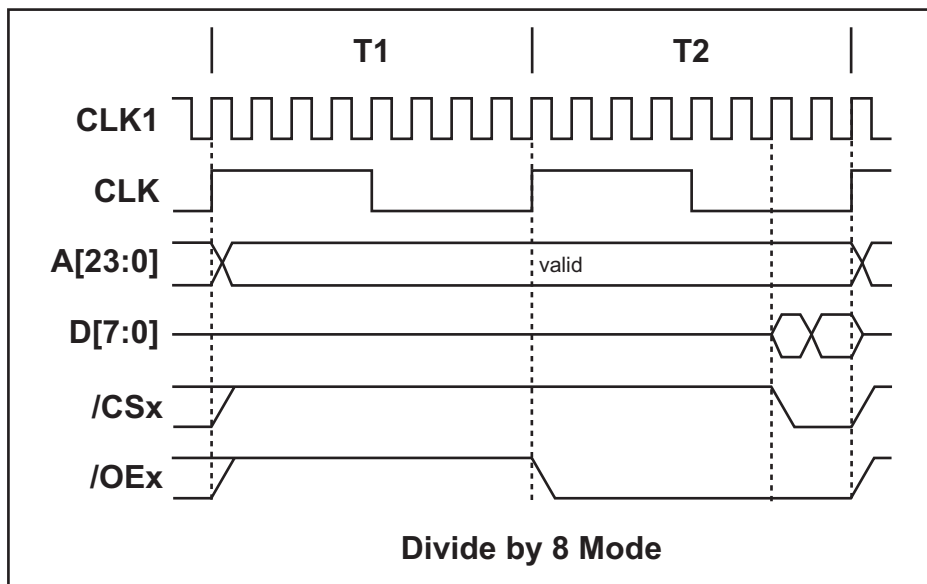
| Main Oscillator GCSR Setting | Clock Doubler | 32 kHz Divider | Processor Clock Frequency |
|------------------------------|---------------|----------------|---------------------------|
| Full | On | N/A | 2 × Main Oscillator |
| Full | Off | | Main Oscillator |
| Divided by 2 | On | | Main Oscillator / 2 |
| Divided by 2 | Off | | Main Oscillator / 3 |
| Divided by 4 | On | | Main Oscillator / 4 |
| Divided by 6 | On | | Main Oscillator / 6 |
| Divided by 4 | Off | | Main Oscillator / 8 |
| Divided by 8 | On | | |
| Divided by 6 | Off | | |
| Divided by 8 | Off | | |
| Off (32 kHz divider used) | N/A | Disabled | 32.768 kHz |
| | | / 2 | 16.384 kHz |
| | | / 4 | 8.192 kHz |
| | | / 8 | 4.096 kHz |
| | | / 16 | 2.048 kHz |

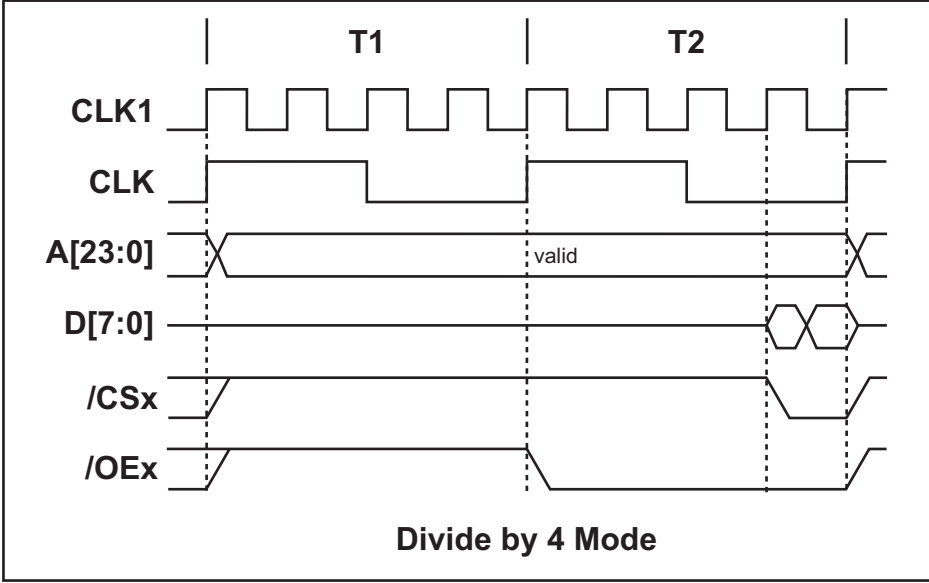
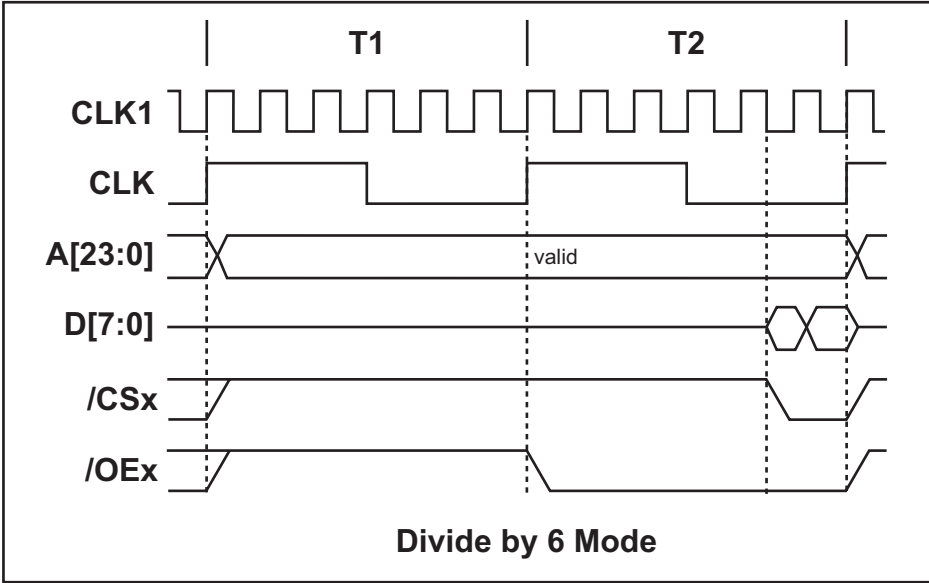
Depending on the application, the processor can continue executing code normally when the main oscillator is divided down to a lower value. However, when the processor clock is running off of the 32 kHz clock, it is recommended that the Rabbit 4000 be performing a tight polling loop, waiting for a wakeup event.

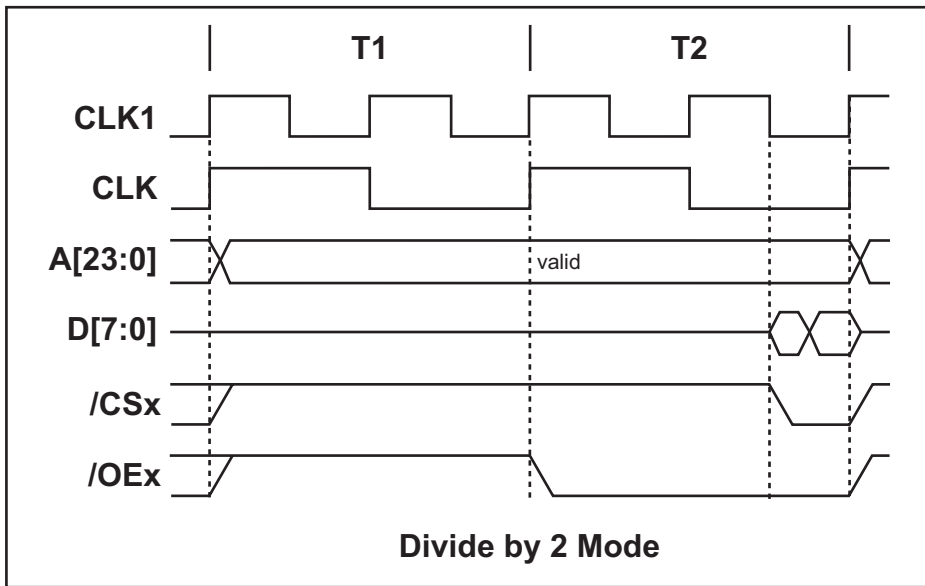
26.2.3 Short Chip Selects

When running at a reduced clock speed, it is likely that the chip selects for external devices will not need to be active for an entire clock cycle. By reducing the width of the chip select, the power consumption of the memory chip can be reduced without having any affect on the processor itself.

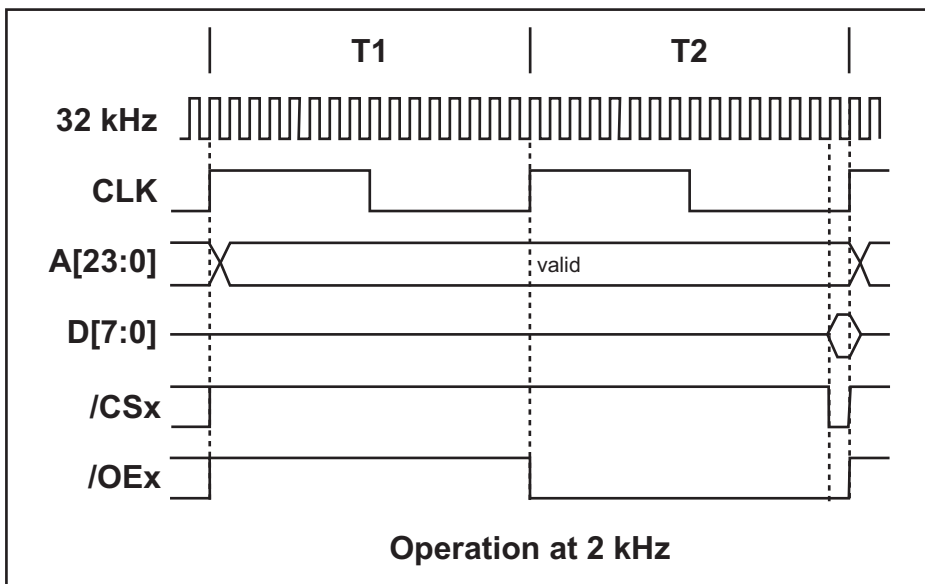
For reduced processor speeds based on the main oscillator, a short chip select can be enabled in GPSCR (this feature is not available when the processor is running at full speed). This feature can be enabled separately for both reads and writes. When enabled, the chip select signals will be the width of two undivided clocks and located at the end of the transaction. The read data in the figures below is sampled by the rising edge of CLKI that terminated the T2 cycle. Wait states are inserted between T1 and T2 so they do not affect the width of the strobe.

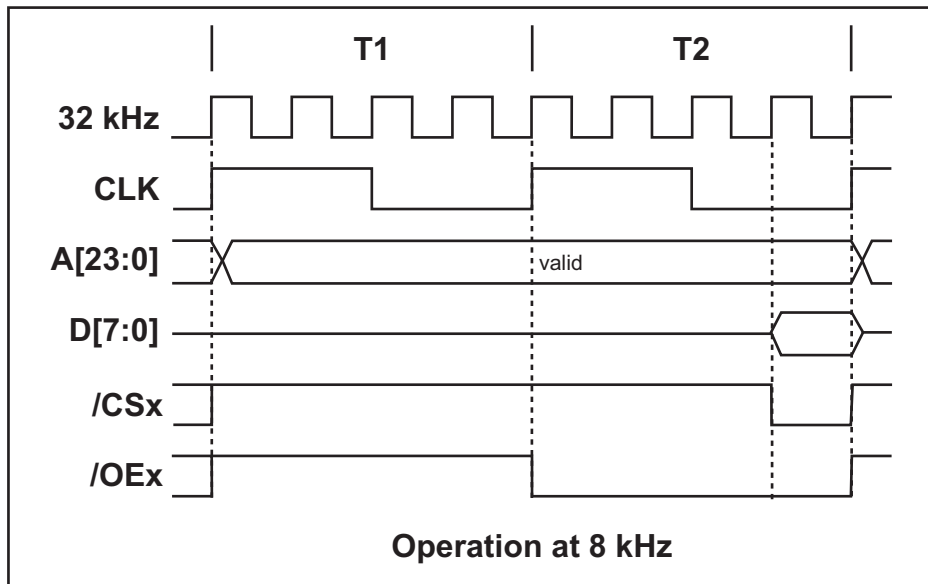
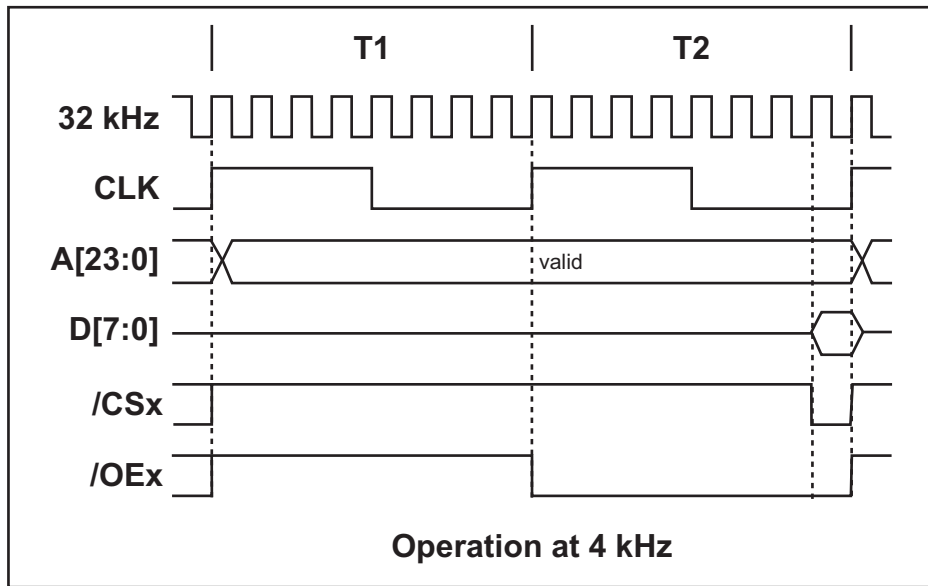


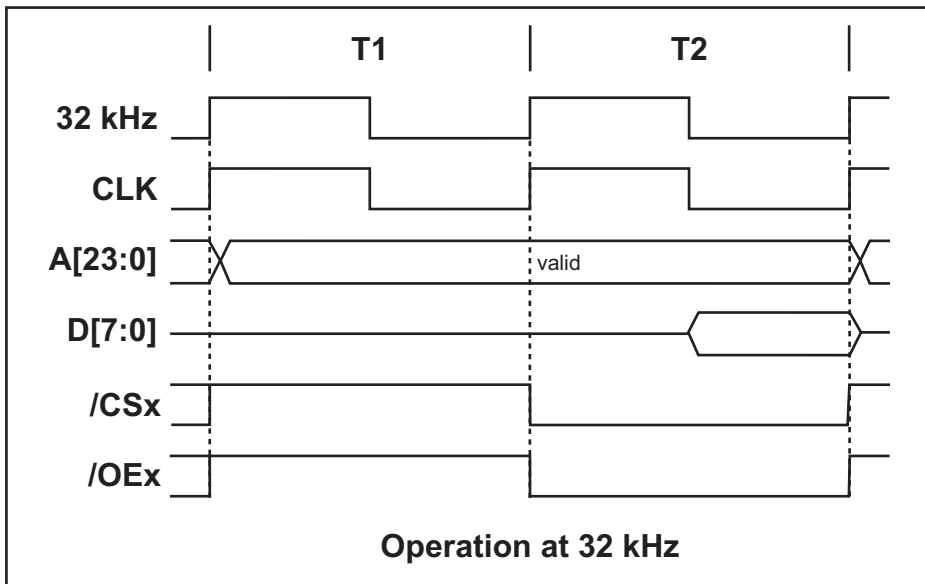
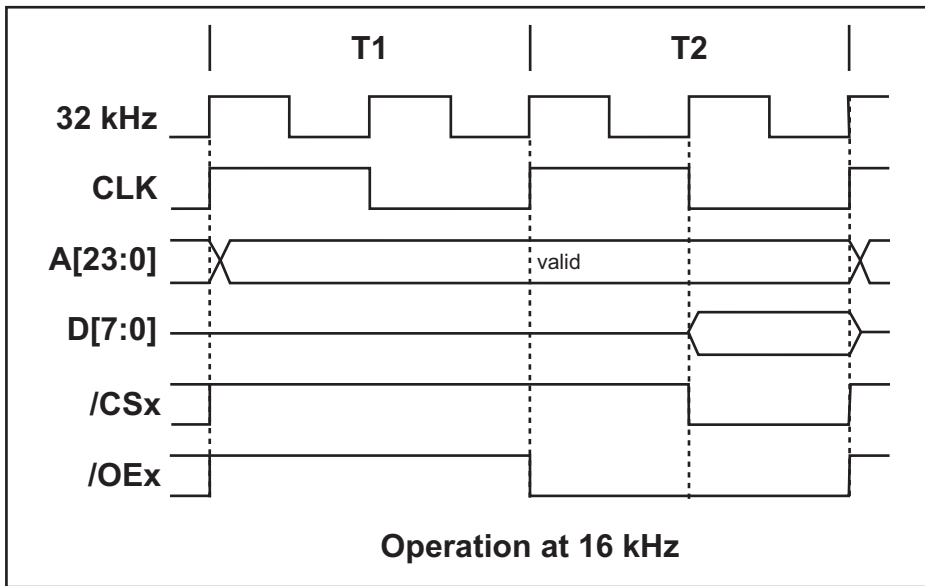




When the processor is running off the 32 kHz clock, the short chip select option will produce chip select signal that is the width of a single 32 kHz clock (30.5 microseconds); otherwise the timing is identical to the short chip select options based off the main oscillator. Read strobe figures are shown below.

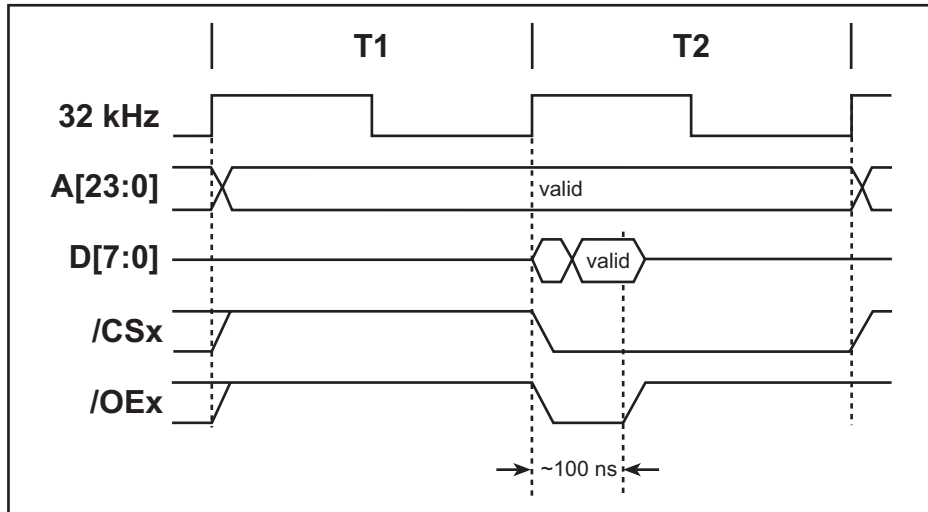






26.2.4 Self-Timed Chip Selects

Self-timed chip selects can be enabled via GPSCR to reduce power consumption even more when running off the 32kHz oscillator. When self-timed chip selects are enabled, the chip select is only active for a short (selectable) period of time. A sample read and write timing diagram is shown below.



26.3 Register Descriptions

| Global Control/Status Register (GCSR) (Address = 0x0000) | | |
|--|-------|--|
| Bit(s) | Value | Description |
| 7:6 (rd-only) | 00 | No reset or watchdog timer timeout since the last read. |
| | 01 | The watchdog timer timed out. These bits are cleared by a read of this register. |
| | 10 | This bit combination is not possible. |
| | 11 | Reset occurred. These bits are cleared by a read of this register. |
| 5 | 0 | No effect on the periodic interrupt. This bit will always be read as zero. |
| | 1 | Force a periodic interrupt to be pending. |
| 4:2 | 000 | Processor clock from the fast clock, divided by 8. Peripheral clock from the fast clock, divided by 8. |
| | 001 | Processor clock from the fast clock, divided by 8. Peripheral clock from the fast clock. |
| | 010 | Processor clock from the fast clock. Peripheral clock from the fast clock. |
| | 011 | Processor clock from the fast clock, divided by 2. Peripheral clock from the fast clock, divided by 2. |
| | 100 | Processor clock from the 32 kHz clock, optionally divided via GPSCR. Peripheral clock from the 32 kHz clock, optionally divided via GPSCR. |
| | 101 | Processor clock from the 32 kHz clock, optionally divided via GPSCR. Peripheral clock from the 32 kHz clock, optionally divided via GPSCR. The fast clock is disabled. |
| | 110 | Processor clock from the fast clock, divided by 4. Peripheral clock from the fast clock, divided by 4. |
| | 111 | Processor clock from the fast clock, divided by 6. Peripheral clock from the fast clock, divided by 6. |
| 1:0 | 00 | Periodic interrupts are disabled. |
| | 01 | Periodic interrupts use Interrupt Priority 1. |
| | 10 | Periodic interrupts use Interrupt Priority 2. |
| | 11 | Periodic interrupts use Interrupt Priority 3. |

| Global Power Save Control Register (GPSCR) (Address = 0x000D) | | |
|--|--------------|--|
| Bit(s) | Value | Description |
| 7:5 | 000 | Self-timed chip selects are disabled. |
| | 001 | 230 ns self-timed chip selects for read and write. |
| | 010 | 170 ns self-timed chip selects for read and write. |
| | 011 | 110 ns self-timed chip selects for read and write. |
| | 100 | 290 ns self-timed chip selects for read only. |
| | 101 | 230 ns self-timed chip selects for read only. |
| | 110 | 170 ns self-timed chip selects for read only. |
| | 111 | 110 ns self-timed chip selects for read only. |
| 4 | 0 | Normal chip select timing for read cycles. |
| | 1 | Short chip select timing for read cycles (not available in full speed). |
| 3 | 0 | Normal chip select timing for write cycles |
| | 1 | Short chip select timing for write cycles (not available in full speed). |
| 2:0 | 000 | The 32 kHz clock divider is disabled. |
| | 001 | This bit combination is reserved and should not be used. |
| | 010 | This bit combination is reserved and should not be used. |
| | 011 | This bit combination is reserved and should not be used. |
| | 100 | 32 kHz clock divided by 2 (16.384 kHz). |
| | 101 | 32 kHz clock divided by 4 (8.192 kHz). |
| | 110 | 32 kHz clock divided by 8 (4.096 kHz). |
| | 111 | 32 kHz clock divided by 16 (2.048 kHz). |

| Global Clock Double Register (GCDR) (Address = 0x000F) | | |
|---|------------------------|--|
| Bit(s) | Value | Description |
| 7:5 | | These bits are reserved and should be written with zeros. |
| 4:0 | 00000 | The clock doubler circuit is disabled. |
| | 00001 | 6 ns nominal low time. |
| | 00010 | 7 ns nominal low time. |
| | 00011 | 8 ns nominal low time. |
| | 00100 | 9 ns nominal low time. |
| | 00101 | 10 ns nominal low time. |
| | 00110 | 11 ns nominal low time. |
| | 00111 | 12 ns nominal low time. |
| | 01000 | 13 ns nominal low time. |
| | 01001 | 14 ns nominal low time. |
| | 01010 | 15 ns nominal low time. |
| | 01011 | 16 ns nominal low time. |
| | 01100 | 17 ns nominal low time. |
| | 01101 | 18 ns nominal low time. |
| | 01110 | 19 ns nominal low time. |
| | 01111 | 20 ns nominal low time. |
| | 10001 | 3 ns nominal low time. |
| 10010 | 4 ns nominal low time. | |
| 10011 | 5 ns nominal low time. | |
| other | | Any bit combination not listed is reserved and must not be used. |

27. SYSTEM/USER MODE

27.1 Overview

The Rabbit 4000 provides support for two tiers of control in the processor: *System Mode*, which provides full access to all processor resources; and *User Mode*, a more restricted mode. Table 27-1 describes the essential differences between the System Mode and the User Mode. The System Mode is essentially the same as the normal operation when the System/User Mode is disabled.

Table 27-1. Differences Between System Mode and User Mode

| System Mode | User Mode |
|---|--|
| All peripherals accessible. | No peripherals accessible by default. |
| All processor control registers available. | No processor control registers available. |
| All interrupt priorities available. | Interrupt Priority 3 not allowed. |
| IDET instruction has no effect. | IDET instruction causes Priority 3 “System mode violation” interrupt. |
| No write protection when 0x00 is written to WPCR (write protection in User mode only) | Write to protected segment causes Priority 3 “write protection violation” interrupt. |
| Easy to enter user mode (SETUSR instruction). | Difficult to enter system mode (requires interrupt, SYSCALL, or RST instruction). |

The main intent of the System/User Mode is to protect critical code (for example, code that performs remote firmware updates), data, and the current processor state (memory setup, peripheral control, etc.) from inadvertent changes by the user’s standard code. By removing access to the processor’s I/O registers and preventing memory writes to critical regions, the user’s code can run without the danger of locking up the processor to the point where it cannot be restarted remotely and/or new code uploaded.

27.1.1 Registers

| Register Name | Mnemonic | I/O Address | R/W | Reset |
|---|----------|-------------|-----|----------|
| Enable Dual-Mode Register | EDMR | 0x0420 | W | 00000000 |
| Real-Time Clock User Enable Register | RTUER | 0x0300 | W | 00000000 |
| Slave Port User Enable Register | SPUER | 0x0320 | W | 00000000 |
| Parallel Port A User Enable Register | PAUER | 0x0330 | W | 00000000 |
| Parallel Port B User Enable Register | PBUER | 0x0340 | W | 00000000 |
| Parallel Port C User Enable Register | PCUER | 0x0350 | W | 00000000 |
| Parallel Port D User Enable Register | PDUER | 0x0360 | W | 00000000 |
| Parallel Port E User Enable Register | PEUER | 0x0370 | W | 00000000 |
| Input Capture User Enable Register | ICUER | 0x0358 | W | 00000000 |
| I/O Bank User Enable Register | IBUER | 0x0380 | W | 00000000 |
| PWM User Enable Register | PWUER | 0x0388 | W | 00000000 |
| Quad Decode User Enable Register | QDUER | 0x0390 | W | 00000000 |
| External Interrupt User Enable Register | IUER | 0x0398 | W | 00000000 |
| Timer A User Enable Register | TAUER | 0x03A0 | W | 00000000 |
| Timer B User Enable Register | TBUER | 0x03B0 | W | 00000000 |
| Timer C User Enable Register | TCUER | 0x3F8 | W | 00000000 |
| Serial Port A User Enable Register | SAUER | 0x03C0 | W | 00000000 |
| Serial Port B User Enable Register | SBUER | 0x3D0 | W | 00000000 |
| Serial Port C User Enable Register | SCUER | 0x3E0 | W | 00000000 |
| Serial Port D User Enable Register | SDUER | 0x3F0 | W | 00000000 |
| Serial Port E User Enable Register | SEUER | 0x03C8 | W | 00000000 |
| Serial Port F User Enable Register | SFUER | 0x3D8 | W | 00000000 |
| Enable Dual-Mode Register | EDMR | 0x0420 | R/W | 00000000 |

27.2 Dependencies

27.2.1 I/O Pins

There are no pin dependencies for the System/User Mode.

27.2.2 Clocks

There are no clock dependencies for the System/User Mode.

27.2.3 Other Registers

Any writes to the internal I/O registers listed in Table 27-2 are ignored when the System/User Mode is enabled and the processor is in the User Mode.

Table 27-2. I/O Addresses Inaccessible in User Mode

| Register Name | Mnemonic | I/O Address |
|------------------------------------|----------|-------------|
| Global Control/Status Register | GCSR | 0x0000 |
| Watchdog Timer Control Register | WDTCR | 0x0008 |
| Watchdog Timer Test Register | WDTTR | 0x0009 |
| Global Clock Modulator 0 Register | GCM0R | 0x000A |
| Global Clock Modulator 1 Register | GCM1R | 0x000B |
| Secondary Watchdog Timer Register | SWDTR | 0x000C |
| Global Power Save Control Register | GPSCR | 0x000D |
| Global Output Control Register | GOCR | 0x000E |
| Global Clock Double Register | GCDR | 0x000F |
| MMU Instruction/Data Register | MMIDR | 0x0010 |
| Stack Segment Register | STACKSEG | 0x0011 |
| Data Segment Register | DATASEG | 0x0012 |
| Segment Size Register | SEGSIZE | 0x0013 |
| Memory Bank 0 Control Register | MB0CR | 0x0014 |
| Memory Bank 1 Control Register | MB1CR | 0x0015 |
| Memory Bank 2 Control Register | MB2CR | 0x0016 |
| Memory Bank 3 Control Register | MB3CR | 0x0017 |
| MMU Expanded Code Register | MECR | 0x0018 |
| Memory Timing Control Register | MTCR | 0x0019 |
| Stack Segment Low Register | STKSEGL | 0x001A |
| Stack Segment High Register | STKSEGH | 0x001B |
| Breakpoint/Debug Control Register | BDCR | 0x001C |
| Memory Alternate Control Register | MACR | 0x001D |
| Data Segment Low Register | DATSEGL | 0x001E |

Table 27-2. I/O Addresses Inaccessible in User Mode (continued)

| Register Name | Mnemonic | I/O Address |
|--------------------------------------|----------|-----------------|
| Data Segment High Register | DATSEGH | 0x001F |
| DMA registers | | 0x0100 – 0x01FF |
| Network Port A registers | | 0x0200 – 0x02FF |
| User Enable and Breakpoint registers | | 0x0300 – 0x03FF |
| Memory Protection registers | | 0x0400 – 0x04FF |

27.2.4 Interrupts

The System Mode Violation interrupt occurs whenever the **IDET** instruction is executed while the System/User mode is enabled and the processor is in the User Mode. Its purpose is to trap when system code is being executed while the processor is in the User Mode.

The System Mode Violation interrupt vector is in the IIR at offset 0x180. It always occurs at Priority 3.

Note that Priority 3 is not available while the System/User Mode is enabled and the processor is in the User Mode. If the processor is placed into Priority 3 either by an instruction or an interrupt, it will respond as if it was set to Priority 2.

When the System/User Mode is enabled, it is critical to handle the **SU** stack in interrupts as well as the **IP** stack; always perform a **SURES** before the **IPRES** at the end of the interrupt.

27.3 Operation

The System/User Mode is designed to work with the memory and stack protection features of the Rabbit 4000 processor to provide a seamless framework for protection of critical code. However, there are many levels at which the System/User Mode can be used — some examples are described here.

27.3.1 Memory Protection Only

At the beginning of the user program, all necessary peripherals are enabled, all peripheral interrupts to be used are set up for the User Mode, critical memory regions are protected, stack limits are set, and the various system/memory/stack violation interrupts are enabled. The processor then enters the User Mode and remains in the User Mode for all operations (interrupts can be handled however the user desires). Obviously the critical interrupts can be handled in the System Mode, but at that point the device is typically reset and the error is logged. Figure 27-1 shows an overview of this level of operation.

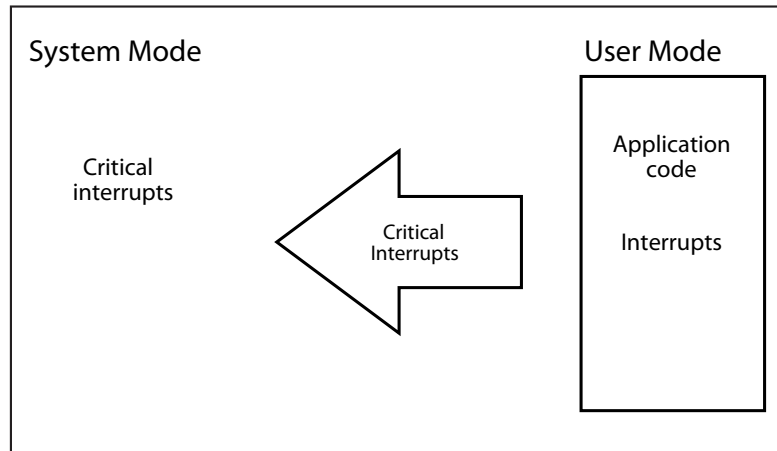


Figure 27-1. System/User Mode Setup for Memory Protection Only

27.3.2 Mixed System/User Mode Operation

This mode is similar to the previous mode, but with some portions of the program written for System Mode — for example, peripheral interrupts where latency is critical. By keeping the System Mode code sections small, potential system crashes are still minimized. Figure 27-2 shows an overview of this level of operation.

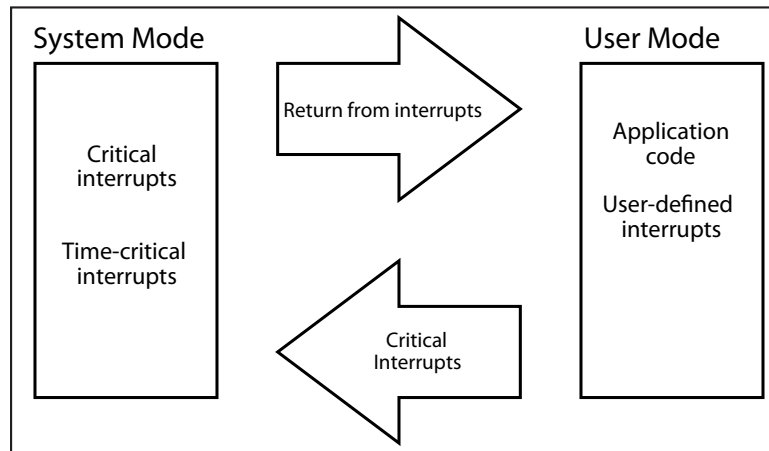


Figure 27-2. System/User Mode Setup for Mixed Operation

27.3.3 Complete Operating System

This section describes a “full” use of the System/User Mode — separating all common functions into a System Mode “operating system” while letting the application-specific code run in the User Mode. By default, the System Mode handles all peripherals and interrupts, as well as high-level interfaces such as a flash file system. However, the processor will be running the application code in the User Mode most of the time.

The application code can request direct access to a peripheral and/or interrupt from the System Mode. If allowed, the System Mode can create an interrupt vector as described in Section 27.3.7 that will execute the user code interrupt handler.

When the application code wants to perform an action that is controlled by the System Mode, it can request the particular action by loading the appropriate value into HL and executing SYSCALL. This requires generating a list of all the actions that the application code would want to do, assigning values to each action, and implementing a SYSCALL handler in the System Mode that parses the value passed to it and calls the appropriate function.

Write protection should be enabled (User Mode only) for all blocks containing system code and data as well as any critical memory regions.

If any critical interrupts occur (stack limit violation, system mode violation, write protection violation), System Mode handlers can perform any of a number of operations: restart the application code, signal another device, halt operation, and so on.

Figure 27-3 shows an overview of this level of operation.

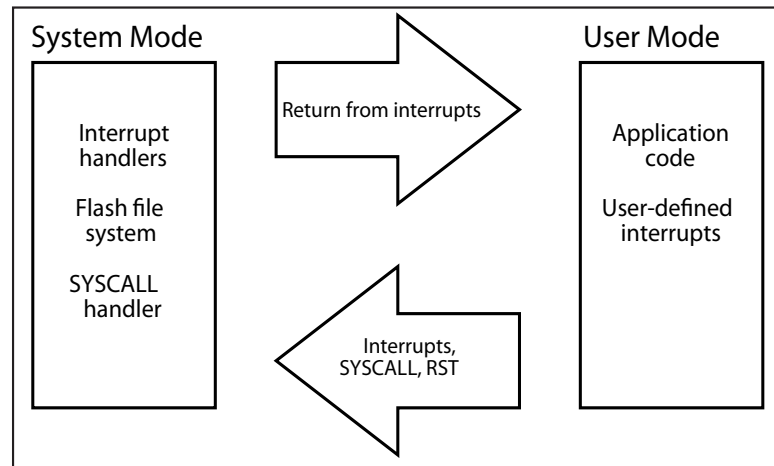


Figure 27-3. System/User Mode Setup for Operating System

27.3.4 Enabling the System/User Mode

The following steps describe how to enable the System/User Mode.

1. If a peripheral needs to be accessed while in User Mode, write to the appropriate user enable register to allow that access.
2. Write a 1 to bit 0 of EDMR to enable System/User Mode.
3. Execute the SETUSR instruction to enter User Mode.

After the User Mode is entered, the limitations described earlier are in effect — writes to protected registers will be ignored, Priority 3 is not available, and executing an IDET will cause a System Mode Violation interrupt. Other features such as write protection may be effect for user mode as well.

27.3.5 System/User Mode Instructions

Seven instructions exist primarily to support the System/User Mode, and are listed in Table 27-3. Note that **IDET** shares the value of **LD E, E** in the opcode table, and will always perform that operation (but will have special behavior when the System/User Mode is enabled and the processor is in System Mode). In addition, if the ALTD prefix appears before the instruction, **LD E', E** is always executed and the special behavior does not occur.

Table 27-3. System/User Mode Instructions

| Instruction | Bytes | clk | A | I | S | Z | V | C | Operation | Priv |
|-------------------------------|-------|-----|---|---|---|---|---|---|---|------|
| SETUSR | 2 | 4 | | - | - | - | - | - | SU = {SU[5:0], 0x01} | Yes |
| PUSH SU | 2 | 9 | | - | - | - | - | - | (SP-1) = SU; SP = SP - 1 | Yes |
| POP SU | 2 | 7 | | - | - | - | - | - | SU = (SP); SP = SP + 1 | Yes |
| SURES | 2 | 4 | | - | - | - | - | - | SU = {SU[1:0], SU[7:2]} | Yes |
| IDET | 1 | 2 | | - | - | - | - | - | Performs LD E, E , but if (EDMF && SU[0]) then the System Violation interrupt flag is set; if ALTD appears before it always does LD E', E | No |
| RDMODE | 2 | 4 | | - | - | - | - | * | CF = SU[0] | Yes |
| SYSCALL | 2 | 10 | | - | - | - | - | - | SP = SP - 2; PC = {R,v} where v = SYSCALL offset | No |
| SCALL | 2 | 15 | | - | - | - | - | - | (SP-1) = PCH; (SP-2) = PCL; (SP-3) = SU; SP = SP - 3; PC = {IIR, 01100000}; SU = {SU[5:0], 00} | No |
| SRET | 2 | 12 | | - | - | - | - | - | SU = (SP); PCL = (SP+1); PCH = (SP+2); SP = SP+3 | No |
| SETUSR_P mn | 4 | 15 | | - | - | - | - | - | SU = {SU[7:2], 01}, (SP-1) = m; (SP-2) = n; SP = SP-2 | No |
| SETSUSP_P mn | 4 | 12 | | - | - | - | - | - | SU = {SU[1:0], SU[7:2]}; tmp1 = (SP); tmp2 = (SP+1); SP = SP+2; if {tmp1 != mn} System Violation | No |

The processor keeps a one-byte stack (called the SU register) that is analogous to the IP register that keeps track of the interrupt priority. Every time **SETUSR** is executed (to enter the User Mode), or an interrupt occurs, or **SYSCALL** or **RST** is executed (to enter System Mode), the current mode is pushed onto the SU register. When a **SURES** is executed, the previous mode is popped off the SU register.

The effects of each instruction are:

- The **SETUSR** instruction puts the processor into the User Mode by pushing the correct value into the SU register.
- **PUSH SU** and **POP SU** push and pop the single-byte SU register on/off the SP stack.
- **SURES** pops the current processor mode off the SU register, returning it to the previous mode.
- **IDET** causes an interrupt if executed in the User Mode, and does nothing in System Mode. It is intended to be placed in system-level code and trap any execution of that code while in the User Mode.
- **RDMODE** returns the current mode in the carry flag (0 for System Mode, 1 for User Mode).
- **SYSCALL** is essentially a new **RST** instruction, and was added to allow User Mode access to the System Mode without using one of the existing **RST** instructions. It will put the processor into the System Mode and execute code in the corresponding interrupt-vector table entry.
- **SCALL** is another **RST** instruction that vectors to the same address as **SYSCALL**. The difference is that it also pushes the value of the SU register as well as the return address onto the stack.
- **SRET** is the companion instruction to **SCALL**; it expects both SU and the return address to be on the stack.
- **SETSYSP** and **SETUSRP** are support functions for handing user mode interrupts. **SETSYSP** pushes a 16-bit compare value onto the stack and enters user mode. **SETSYSP** pops a 16-bit value off the stack and compares it to the provided value; a system mode violation interrupt occurs if they do not match. These two instructions provide protection for User Mode interrupts by checking for both main stack and SU stack mismatches when the User Mode handler returns.

27.3.6 System Mode Violation Interrupt

The following steps describe how to set up the System Mode Violation interrupt.

1. Write the vector to the interrupt service routine to the internal interrupt table.
2. Enable the system/user mode by writing to EDMR.
3. The interrupt request is cleared automatically when handled.

A sample interrupt handler is shown below.

```
sysmode_isr::
    push af
    ; handle the system mode violation here
    pop af
    sures
    ipres
    ret
```

27.3.7 Handling Interrupts in the System/User Mode

Interrupts, **RSTs**, **SYSCALL**, and **SCALL** all enter the System Mode automatically. There will be times, however, that an interrupt should be handled in the User Mode. The solution to this is for System Mode interrupt vector to reenter the User Mode before calling the User Mode interrupt handler. An example of both system and user interrupt handling is shown in Figure 27-4.

When enabled for User Mode access, a peripheral interrupt (if it is capable of generating an interrupt) can only be requested at Priority 2 or 1.

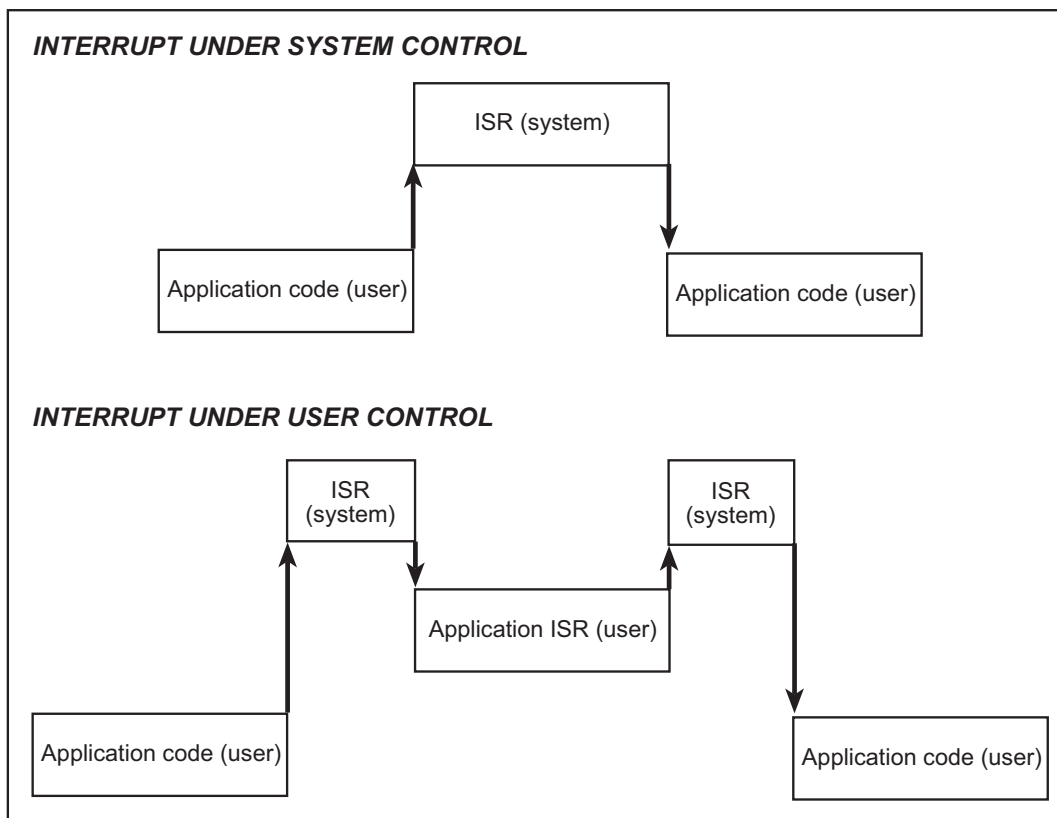


Figure 27-4. Interrupt Handling in the System/User Mode

Some sample code for both System Mode interrupts and User Mode interrupts is shown below. The use of **SETUSRP** and **SETSISP** provides checks against stack mismatches and incorrect System/User Modes coming out of the User Mode handler.

```
systemmode_isr:                ; jumped to from interrupt vector table
    ... handle interrupt ...
    sures                       ; reenter previous mode
    ipres                       ; restore previous interrupt priority
    ret

usermode_isr:                  ; jumped to from interrupt vector table
                                ;   (still in system mode at this point)
    push su                     ; preserve current SU stack
    setusrp 0x1234              ; enter user mode with stack compare value
    call user_handler          ; handle interrupt at user level
    setsisp 0x1234             ; return to system mode
    sures                       ; reenter previous mode
    ipres                       ; restore previous interrupt priority
    ret
```

27.4 Register Descriptions

| Real-Time Clock User Enable Register (RTUER) (Address = 0x0300) | | |
|--|--------------|--|
| Bit(s) | Value | Description |
| 7 | 0 | Disable User Mode access to the RTC (I/O addresses 0x0002–0x0007). |
| | 1 | Enable User Mode access to the RTC (I/O addresses 0x0002–0x0007). |
| 6:0 | | These bits are reserved and should be written with zeros. |

| Slave Port User Enable Register (SPUER) (Address = 0x0320) | | |
|---|--------------|---|
| Bit(s) | Value | Description |
| 7 | 0 | Disable User Mode access to the slave port (I/O addresses 0x0020–0x0027). |
| | 1 | Enable User Mode access to the slave port (I/O addresses 0x0020–0x0027). |
| 6:0 | | These bits are reserved and should be written with zeros. |

| Parallel Port A User Enable Register (PAUER) (Address = 0x0330) | | |
|--|--------------|--|
| Bit(s) | Value | Description |
| 7 | 0 | Disable User Mode access to Parallel Port A (I/O addresses 0x0030–0x0037). |
| | 1 | Enable User Mode access to Parallel Port A (I/O addresses 0x0030–0x0037). |
| 6:0 | | These bits are reserved and should be written with zeros. |

| Parallel Port B User Enable Register (PBUER) (Address = 0x0340) | | |
|--|--------------|--|
| Bit(s) | Value | Description |
| 7 | 0 | Disable User Mode access to Parallel Port B (I/O addresses 0x0040–0x0047). |
| | 1 | Enable User Mode access to Parallel Port B (I/O addresses 0x0040–0x0047). |
| 6:0 | | These bits are reserved and should be written with zeros. |

| Parallel Port C User Enable Register (PCUER) (Address = 0x0350) | | |
|--|--------------|--|
| Bit(s) | Value | Description |
| 7 | 0 | Disable User Mode access to Parallel Port C (I/O addresses 0x0050–0x0055). |
| | 1 | Enable User Mode access to Parallel Port C (I/O addresses 0x0050–0x0055). |
| 6:0 | | These bits are reserved and should be written with zeros. |

| Parallel Port D User Enable Register (PDUER) (Address = 0x0360) | | |
|--|--------------|--|
| Bit(s) | Value | Description |
| 7 | 0 | Disable User Mode access to Parallel Port D (I/O addresses 0x0060–0x006F). |
| | 1 | Enable User Mode access to Parallel Port D (I/O addresses 0x0060–0x006F). |
| 6:0 | | These bits are reserved and should be written with zeros. |

| Parallel Port E User Enable Register (PEUER) (Address = 0x0370) | | |
|--|--------------|--|
| Bit(s) | Value | Description |
| 7 | 0 | Disable User Mode access to Parallel Port E (I/O addresses 0x0070–0x007F). |
| | 1 | Enable User Mode access to Parallel Port E (I/O addresses 0x0070–0x007F). |
| 6:0 | | These bits are reserved and should be written with zeros. |

| Input Capture User Enable Register (ICUER) (Address = 0x0358) | | |
|--|--------------|--|
| Bit(s) | Value | Description |
| 7 | 0 | Disable User Mode access to input capture (I/O addresses 0x0056–0x005F). |
| | 1 | Enable User Mode access to input capture (I/O addresses 0x0056–0x005F). |
| 6:0 | | These bits are reserved and should be written with zeros. |

| I/O Bank User Enable Register (IBUER) (Address = 0x0380) | | |
|---|--------------|--|
| Bit(s) | Value | Description |
| 7 | 0 | Disable User Mode access to I/O Bank 7 (and internal I/O address 0x0087). |
| | 1 | Enable User Mode access to I/O Bank 7 (and internal I/O addresses 0x0087). |
| 6 | 0 | Disable User Mode access to I/O Bank 6 (and internal I/O address 0x0086). |
| | 1 | Enable User Mode access to I/O Bank 6 (and internal I/O addresses 0x0086). |
| 5 | 0 | Disable User Mode access to I/O Bank 5 (and internal I/O address 0x0085). |
| | 1 | Enable User Mode access to I/O Bank 5 (and internal I/O addresses 0x0085). |
| 4 | 0 | Disable User Mode access to I/O Bank 4 (and internal I/O address 0x0084). |
| | 1 | Enable User Mode access to I/O Bank 4 (and internal I/O addresses 0x0084). |
| 3 | 0 | Disable User Mode access to I/O Bank 3 (and internal I/O address 0x0083). |
| | 1 | Enable User Mode access to I/O Bank 3 (and internal I/O addresses 0x0083). |
| 2 | 0 | Disable User Mode access to I/O Bank 2 (and internal I/O address 0x0082). |
| | 1 | Enable User Mode access to I/O Bank 2 (and internal I/O addresses 0x0082). |
| 1 | 0 | Disable User Mode access to I/O Bank 1 (and internal I/O address 0x0081). |
| | 1 | Enable User Mode access to I/O Bank 1 (and internal I/O addresses 0x0081). |
| 0 | 0 | Disable User Mode access to I/O Bank 0 (and internal I/O address 0x0080). |
| | 1 | Enable User Mode access to I/O Bank 0 (and internal I/O addresses 0x0080). |

| PWM User Enable Register (PWUER) (Address = 0x0388) | | |
|--|--------------|--|
| Bit(s) | Value | Description |
| 7 | 0 | Disable User Mode access to the PWM (I/O addresses 0x0088–0x008F and 0x00E8–0x00E9). |
| | 1 | Enable User Mode access to the PWM (I/O addresses 0x0088–0x008F and 0x00E8–0x00E9). |
| 6:0 | | These bits are reserved and should be written with zeros. |

| Quad Decode User Enable Register (QDUER) (Address = 0x0390) | | |
|--|--------------|---|
| Bit(s) | Value | Description |
| 7 | 0 | Disable User Mode access to the Quadrature Decoder (I/O addresses 0x0090–0x0097). |
| | 1 | Enable User Mode access to the Quadrature Decoder (I/O addresses 0x0090–0x0097). |
| 6:0 | | These bits are reserved and should be written with zeros. |

| External Interrupt User Enable Register (IUER) (Address = 0x0398) | | |
|--|--------------|---|
| Bit(s) | Value | Description |
| 7:2 | | These bits are reserved and should be written with zeros. |
| 1 | 0 | Disable User Mode access to External Interrupt 1 (I/O address 0x0099). |
| | 1 | Enable User Mode access to External Interrupt 1 (I/O addresses 0x0099). |
| 0 | 0 | Disable User Mode access to External Interrupt 0 (I/O address 0x0098). |
| | 1 | Enable User Mode access to External Interrupt 0 (I/O addresses 0x0098). |

| Timer A User Enable Register (TAUER) (Address = 0x03A0) | | |
|--|--------------|--|
| Bit(s) | Value | Description |
| 7 | 0 | Disable User Mode access to Timer A (I/O addresses 0x00A0–0x00AF). |
| | 1 | Enable User Mode access to Timer A (I/O addresses 0x00A0–0x00AF). |
| 6:0 | | These bits are reserved and should be written with zeros. |

| Timer B User Enable Register (TBUER) (Address = 0x03B0) | | |
|--|--------------|--|
| Bit(s) | Value | Description |
| 7 | 0 | Disable User Mode access to Timer B (I/O addresses 0x00B0–0x00BF). |
| | 1 | Enable User Mode access to Timer B (I/O addresses 0x00B0–0x00BF). |
| 6:0 | | These bits are reserved and should be written with zeros. |

| Timer C User Enable Register (TCUER) (Address = 0x03F8) | | |
|--|--------------|--|
| Bit(s) | Value | Description |
| 7 | 0 | Disable User Mode access to Timer C (I/O addresses 0x0500–0x050F and 0x00F8–0x00F9). |
| | 1 | Enable User Mode access to Timer C (I/O addresses 0x0500–0x050F and 0x00F8–0x00F9). |
| 6:0 | | These bits are reserved and should be written with zeros. |

| Serial Port A User Enable Register (SAUER) (Address = 0x03C0) | | |
|--|--------------|--|
| Bit(s) | Value | Description |
| 7 | 0 | Disable User Mode access to Serial Port A (I/O addresses 0x00C0–0x00C7). |
| | 1 | Enable User Mode access to Serial Port A (I/O addresses 0x00C0–0x00C7). |
| 6:0 | | These bits are reserved and should be written with zeros. |

| Serial Port B User Enable Register (SBUER) (Address = 0x03D0) | | |
|--|--------------|--|
| Bit(s) | Value | Description |
| 7 | 0 | Disable User Mode access to Serial Port B (I/O addresses 0x00D0–0x00D7). |
| | 1 | Enable User Mode access to Serial Port B (I/O addresses 0x00D0–0x00D7). |
| 6:0 | | These bits are reserved and should be written with zeros. |

| Serial Port C User Enable Register (SCUER) (Address = 0x03E0) | | |
|--|--------------|--|
| Bit(s) | Value | Description |
| 7 | 0 | Disable User Mode access to Serial Port C (I/O addresses 0x00E0–0x00E7). |
| | 1 | Enable User Mode access to Serial Port C (I/O addresses 0x00E0–0x00E7). |
| 6:0 | | These bits are reserved and should be written with zeros. |

| Serial Port D User Enable Register (SDUER) (Address = 0x03F0) | | |
|--|--------------|--|
| Bit(s) | Value | Description |
| 7 | 0 | Disable User Mode access to Serial Port D (I/O addresses 0x00F0–0x00F7). |
| | 1 | Enable User Mode access to Serial Port D (I/O addresses 0x00F0–0x00F7). |
| 6:0 | | These bits are reserved and should be written with zeros. |

| Serial Port E User Enable Register (SEUER) (Address = 0x03C8) | | |
|--|--------------|--|
| Bit(s) | Value | Description |
| 7 | 0 | Disable User Mode access to Serial Port E (I/O addresses 0x00C8–0x00CF). |
| | 1 | Enable User Mode access to Serial Port E (I/O addresses 0x00C8–0x00CF). |
| 6:0 | | These bits are reserved and should be written with zeros. |

| Serial Port F User Enable Register (SFUER) (Address = 0x03D8) | | |
|--|--------------|--|
| Bit(s) | Value | Description |
| 7 | 0 | Disable User Mode access to Serial Port F (I/O addresses 0x00D8–0x00DF). |
| | 1 | Enable User Mode access to Serial Port F (I/O addresses 0x00D8–0x00DF). |
| 6:0 | | These bits are reserved and should be written with zeros. |

| Enable Dual-Mode Register (EDMR) (Address = 0x0420) | | |
|--|--------------|---|
| Bit(s) | Value | Description |
| 7:6 | 00 | Default (Rabbit 2000/3000) instruction set. |
| | 01 | This bit combination is reserved and must not be used. |
| | 10 | This bit combination is reserved and must not be used. |
| | 11 | Enhanced (Rabbit 4000) instruction set. |
| 5:1 | | These bits are reserved and should be written with zeros. |
| 0 | 0 | Normal (System Mode only) operation. |
| | 1 | Enable System/Normal operation. |

28. SPECIFICATIONS

28.1 DC Characteristics

Table 28-1. Preliminary DC Electrical Characteristics

| Parameter | | Symbol | Min | Typ | Max |
|-----------------------|---|-----------------|--------|------------|---------------|
| Operating Temperature | | T_A | -40°C | | 85°C |
| Storage Temperature | | | -55°C | | 125°C |
| Core | Core Supply Voltage | $V_{DD_{CORE}}$ | 1.65 V | 1.8 V | 1.90 V |
| | Core Current @ 29.4912 MHz, 25°C | I_{CORE} | | 6.0 mA | |
| | Core current @ 7.3728 MHz, 25°C | | | 3.7 mA | |
| | Core current @ 32.768 kHz, 25°C | | | 22 μ A | |
| I/O Ring | I/O Ring Supply Voltage, 3.3 V | $V_{DD_{IO}}$ | 3.0 V | 3.3 V | 3.6 V |
| | I/O Ring Supply Voltage, 1.8 V | | 1.65 V | 1.8 V | 1.90 V |
| | I/O Ring Current @ 29.4912 MHz, 3.3 V, 25°C | I_{IO} | | 12.2 mA | |
| | I/O Ring Current @ 7.3728 MHz, 3.3 V, 25°C | | | 10.5 mA | |
| | I/O Ring Current @ 32.768 kHz, 3.3 V, 25°C | | | 1.1 mA | |
| | Input Low Voltage ($V_{DD_{IO}} = 3.3$ V) | V_{IL} | | 0.8 V | |
| | Input High Voltage ($V_{DD_{IO}} = 3.3$ V) | V_{IH} | | 2.0 V | |
| | Output Low Voltage ($V_{DD_{IO}} = 3.3$ V) | V_{OL} | | 0.4 V | |
| | Output High Voltage ($V_{DD_{IO}} = 3.3$ V) | V_{OH} | | 2.4 V | |
| | Output drive (TXD+, TXDD+, TXD-, TXDD-) All other I/O | I_{DRIVE} | | | 24 mA 8 mA |

Table 28-2. Preliminary Battery-Backed DC Electrical Characteristics
($VDD_{CORE} = 1.8V \pm 10\%$, $VDD_{IO} = 3.3V \pm 10\%$, $T_A = -40^\circ C$ to $85^\circ C$)

| Parameter | | Symbol | Min | Typ | Max |
|-----------|---|--------------|--------|-------------|-------------|
| VBAT | VBAT Supply Voltage | VBAT | 1.65 V | 1.8 V | 1.90 V |
| | VBAT Current (device powered down) | I_{VBAT} | | 1.7 μA | 2.7 μA |
| VBATIO | VBATIO Supply Voltage (device powered) | VBATIO | 1.65 V | 3.3 V | 3.6 V |
| | (device powered down) | | 1.65 V | 1.8 V | 3.6 V |
| | VBATIO Current (device powered down) | I_{VBATIO} | | 0.1 μA | 0.2 μA |

28.2 AC Characteristics

Table 28-3. Preliminary AC Electrical Characteristics
($VDD_{CORE} = 1.8\text{ V} \pm 10\%$, $VDD_{IO} = 3.3\text{ V} \pm 10\%$, $T_A = -40^\circ\text{C to } 85^\circ\text{C}$)

| Parameter | Symbol | Min | Typ | Max |
|-------------------------------------|-------------------|-----|------------|--------|
| Main Clock Frequency on CLKI | f_{main} | | | 60 MHz |
| Real-Time Clock Frequency on CLK32K | f_{RTC} | | 32.768 kHz | |
| Ethernet Clock Frequency on PE6 | f_{Eth} | | 20 MHz | |

28.3 Memory Access Times

All access time measurements are taken at 50% of signal height.

28.3.1 Memory Reads

Table 28-4. Preliminary Memory Read Time Delays
($VDD_{CORE} = 1.8\text{ V} \pm 10\%$, $VDD_{IO} = 3.3\text{ V} \pm 10\%$, $T_A = -40^\circ\text{C}$ to 85°C)

| Parameter | Symbol | Loading | Min | Typ | Max |
|-----------------------------------|--------------------|---------|-----|-------|-----|
| Clock to Address Delay | T_{adr} | 30 pF | | 6 ns | |
| | | 60 pF | | 8 ns | |
| | | 90 pF | | 11 ns | |
| Clock to Memory Chip Select Delay | T_{CSx} | 30 pF | | 6 ns | |
| | | 60 pF | | 8 ns | |
| | | 90 pF | | 11 ns | |
| Clock to Memory Read Strobe Delay | T_{OEx} | 30 pF | | 6 ns | |
| | | 60 pF | | 8 ns | |
| | | 90 pF | | 11 ns | |
| Data Setup Time | T_{setup} | - | | 1 ns | |
| Data Hold Time | T_{hold} | - | | 0 ns | |

28.3.2 Memory Writes

Table 28-5. Preliminary Memory Write-Time Delays
($VDD_{CORE} = 1.8\text{ V} \pm 10\%$, $VDD_{IO} = 3.3\text{ V} \pm 10\%$, $T_A = -40^\circ\text{C}$ to 85°C)

| Parameter | Symbol | Loading | Min | Typ | Max |
|--|------------|---------|-----|-------|-----|
| Clock to Address Delay | T_{adr} | 30 pF | | 6 ns | |
| | | 60 pF | | 8 ns | |
| | | 90 pF | | 11 ns | |
| Clock to Memory Chip Select Delay | T_{CSx} | 30 pF | | 6 ns | |
| | | 60 pF | | 8 ns | |
| | | 90 pF | | 11 ns | |
| Clock to Memory Write Strobe Delay | T_{WEx} | 30 pF | | 6 ns | |
| | | 60 pF | | 8 ns | |
| | | 90 pF | | 11 ns | |
| High Z to Data Valid Relative to Clock | T_{DHzV} | 30 pF | | 10 ns | |
| | | 60 pF | | 12 ns | |
| | | 90 pF | | 15 ns | |
| Data Valid to High Z Relative to Clock | T_{DVHz} | 30 pF | | 10 ns | |
| | | 60 pF | | 12 ns | |
| | | 90 pF | | 15 ns | |

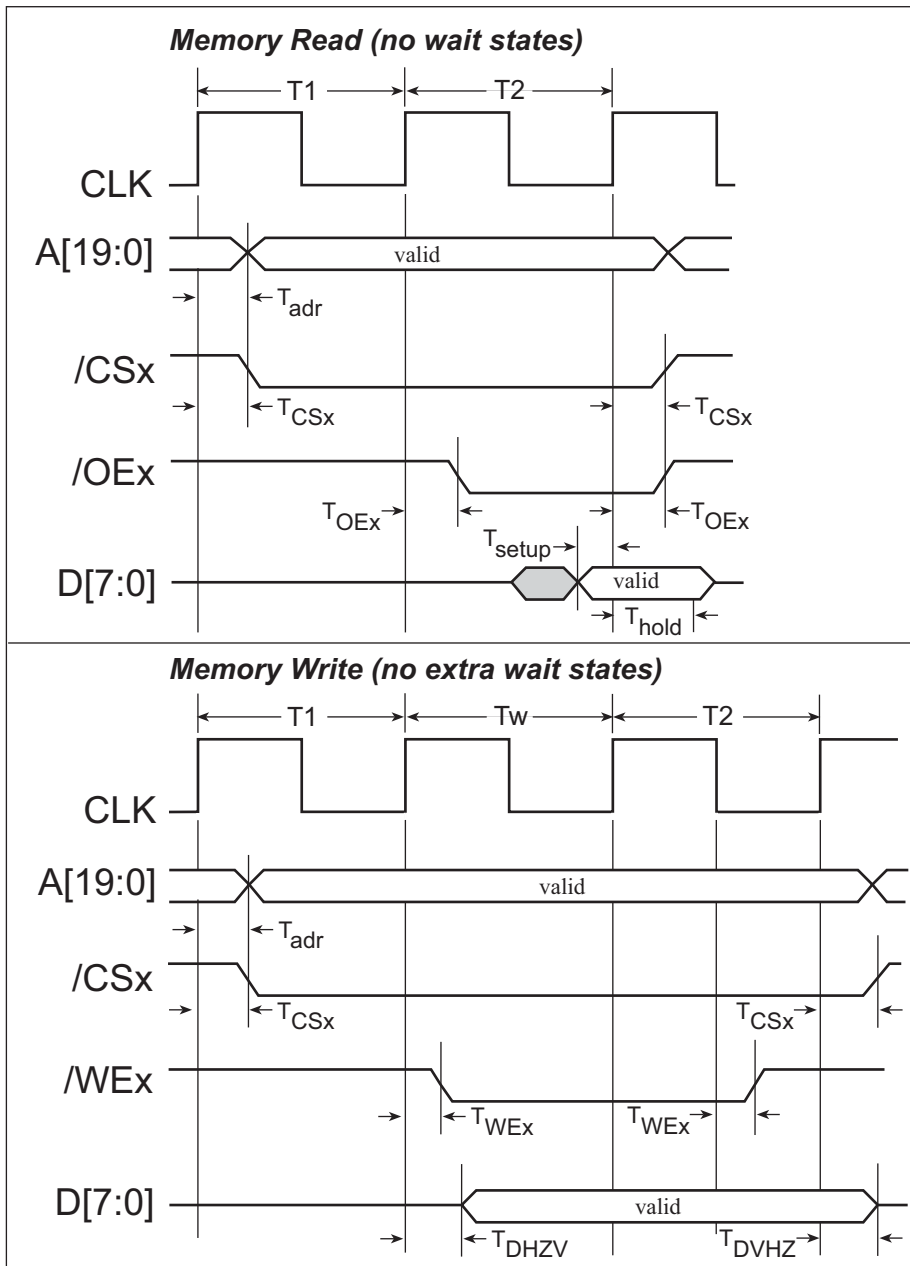


Figure 28-1. Memory Read and Write Cycles

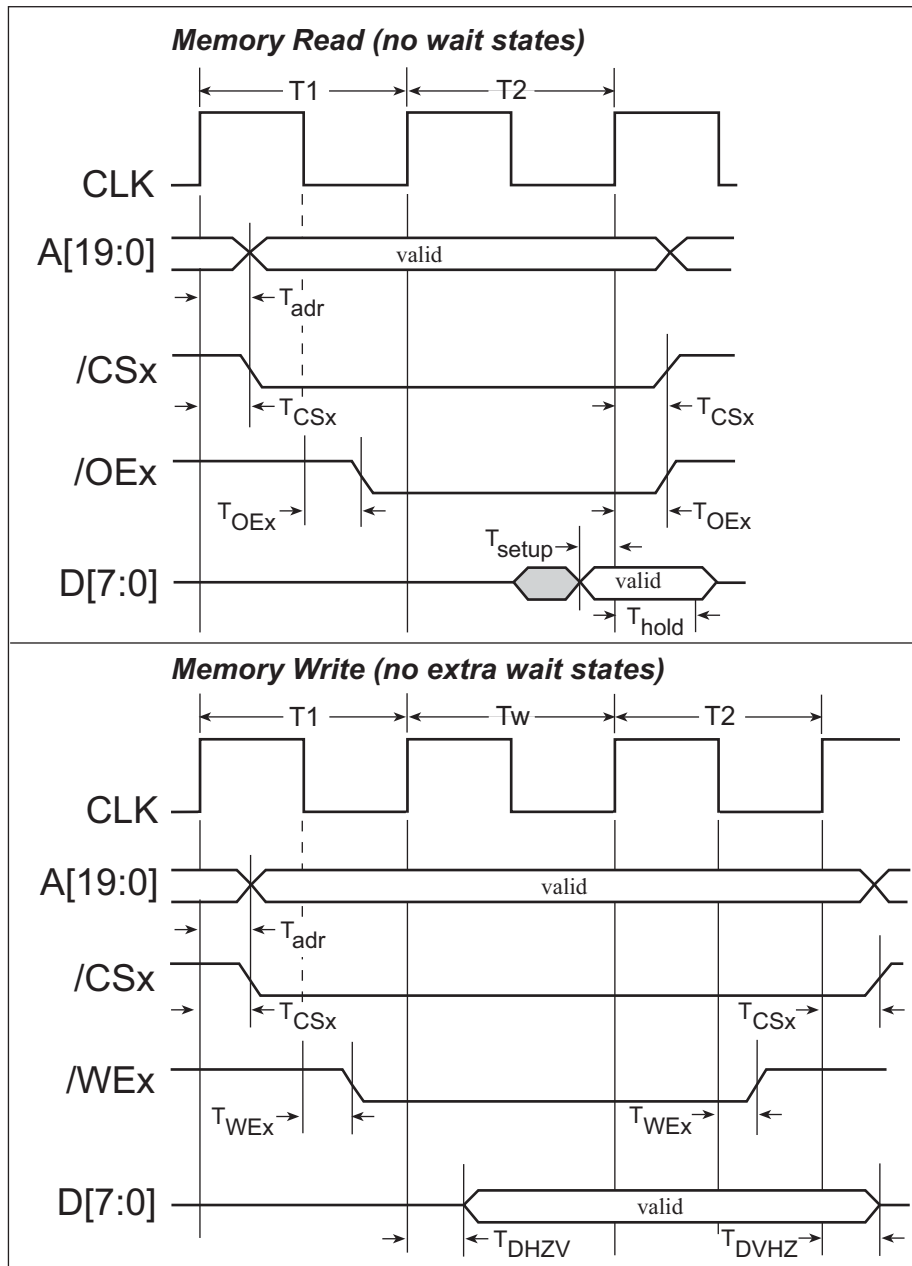


Figure 28-2. Memory Read and Write Cycles—Early Output Enable and Write Enable Timing

28.3.3 External I/O Reads

Table 28-6. Preliminary External I/O Read Time Delays
($VDD_{CORE} = 1.8\text{ V} \pm 10\%$, $VDD_{IO} = 3.3\text{ V} \pm 10\%$, $T_A = -40^\circ\text{C}$ to 85°C)

| Parameter | Symbol | Loading | Min | Typ | Max |
|-----------------------------------|-------------|---------|-----|-------|-----|
| Clock to Address Delay | T_{adr} | 30 pF | | 6 ns | |
| | | 60 pF | | 8 ns | |
| | | 90 pF | | 11 ns | |
| Clock to Memory Chip Select Delay | T_{CSx} | 30 pF | | 6 ns | |
| | | 60 pF | | 8 ns | |
| | | 90 pF | | 11 ns | |
| Clock to I/O Chip Select Delay | T_{IOCSx} | 30 pF | | 6 ns | |
| | | 60 pF | | 8 ns | |
| | | 90 pF | | 11 ns | |
| Clock to I/O Read Strobe Delay | T_{IORD} | 30 pF | | 6 ns | |
| | | 60 pF | | 8 ns | |
| | | 90 pF | | 11 ns | |
| Clock to I/O Buffer Enable Delay | T_{BUFEN} | 30 pF | | 6 ns | |
| | | 60 pF | | 8 ns | |
| | | 90 pF | | 11 ns | |
| Data Setup Time | T_{setup} | - | | 1 ns | |
| Data Hold Time | T_{hold} | - | | 1 ns | |

28.3.4 External I/O Writes

Table 28-7. Preliminary External I/O Write Time Delays
($VDD_{CORE} = 1.8\text{ V} \pm 10\%$, $VDD_{IO} = 3.3\text{ V} \pm 10\%$, $T_A = -40^\circ\text{C}$ to 85°C)

| Parameter | Symbol | Loading | Min | Typ | Max |
|--|--------------------|---------|-----|-------|-----|
| Clock to Address Delay | T_{adr} | 30 pF | | 6 ns | |
| | | 60 pF | | 8 ns | |
| | | 90 pF | | 11 ns | |
| Clock to Memory Chip Select Delay | T_{CSx} | 30 pF | | 6 ns | |
| | | 60 pF | | 8 ns | |
| | | 90 pF | | 11 ns | |
| Clock to I/O Chip Select Delay | T_{IOCSx} | 30 pF | | 6 ns | |
| | | 60 pF | | 8 ns | |
| | | 90 pF | | 11 ns | |
| Clock to I/O Write Strobe Delay | T_{IOWR} | 30 pF | | 6 ns | |
| | | 60 pF | | 8 ns | |
| | | 90 pF | | 11 ns | |
| Clock to I/O Buffer Enable Delay | T_{BUFEN} | 30 pF | | 6 ns | |
| | | 60 pF | | 8 ns | |
| | | 90 pF | | 11 ns | |
| High Z to Data Valid Relative to Clock | T_{DVHZ} | 30 pF | | 10 ns | |
| | | 60 pF | | 12 ns | |
| | | 90 pF | | 15 ns | |
| Data Valid to High Z Relative to Clock | T_{DVHZ} | 30 pF | | 10 ns | |
| | | 60 pF | | 12 ns | |
| | | 90 pF | | 15 ns | |

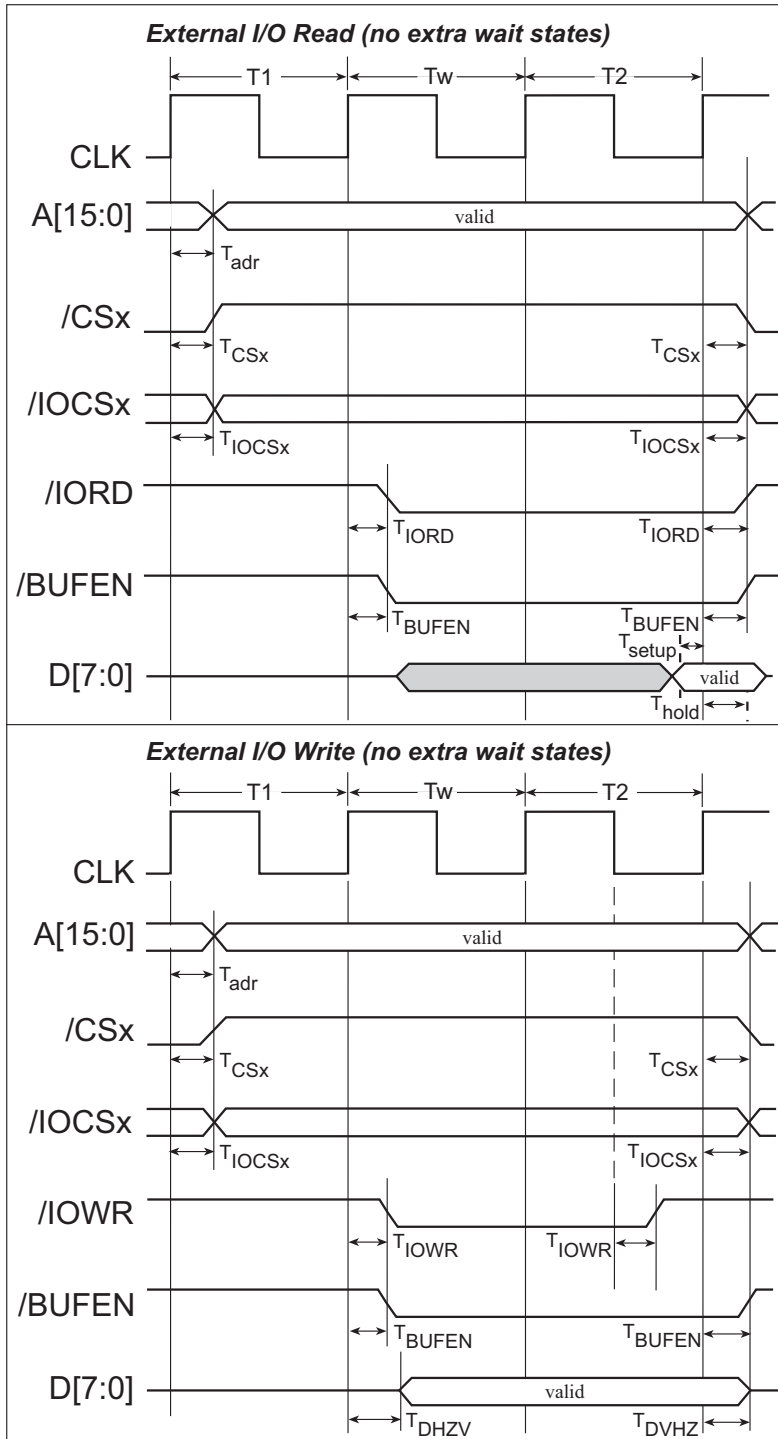


Figure 28-3. I/O Read and Write Cycles—No Extra Wait States

NOTE: **/IOCSx** can be programmed to be active low (default) or active high.

28.3.5 Memory Access Times

In computing memory requirements, the important considerations are the address access time, output-enable access time, and minimum write-pulse required. Increasing the clock doubler delay increases the output-enable time, but decreases the memory write-pulse width. The early write-pulse option can be used to ensure a long-enough write pulse, but then it must be ensured that the write pulse does not begin before the address lines have stabilized.

The clock doubler has an affect on the memory access times. It works by ORing the clock with a delayed version of itself. The nominal delay varies from 3 to 20 ns, and is set under program control. Any asymmetry in the main clock input before it is doubled will result in alternate clocks having slightly different periods. Using the suggested oscillator circuit, the asymmetry is no worse than 52%–48%. This results in a given clock being shortened by the ratio 50/52, or 4% worst-case. The memory access time is not normally affected because the memory bus cycle is two clocks long and includes both a long and a short clock, resulting in no net change arising from asymmetry. However, if an odd number of wait states is used, then the memory access time will be affected slightly.

When the clock spectrum spreader is enabled, clock periods are shortened by a small amount, depending on whether the “normal” or the “strong” spreader setting is used, and depending on the operating voltage. If the clock doubler is used, the spectrum spreader affects every other cycle and reduces the clock high time. If the doubler is not used, then the spreader affects every clock cycle, and the clock low time is reduced. Of course, the spectrum spreader also lengthens clock cycles, but only the worst-case shortening is relevant for calculating worst-case access times. The numbers given for clock shortening with the doubler disabled are the combined shortening for two consecutive clock cycles, worst case.

The required memory address and output-enable access time for some typical clock speeds are given in Table 28-8 below. It is assumed that the clock doubler is used, that the clock spreader is enabled in the normal mode, that the memory early output-enable is on, and that the address bus has a load of 60 pF.

Table 28-8. Preliminary Memory Requirements
*(VDD_{CORE} = 1.8 V ± 10%, VDD_{IO} = 3.3 V ± 10%, T_A = -40° C to 85° C,
 address bus loading = 60 pF)*

| Clock Frequency (MHz) | Period (ns) | Clock Doubler Nominal Delay (ns) | Memory Address Access (ns) | Memory Output-Enable Access (ns) |
|-----------------------|-------------|----------------------------------|----------------------------|----------------------------------|
| 22.11 | 45 | 20 | 78 | 51 |
| 29.49 | 34 | 16 | 56 | 36 |
| 44.24 | 22.5 | 10 | 33.5 | 22 |
| 58.98 | 17 | 6 | 22 | 19 |

All important signals on the Rabbit 4000 are output-synchronized with the internal clock. The internal clock is closely synchronized with the external clock, which is available on the CLK pin. The delay in signal output depends on the capacitive load on the output lines. In the case of the address lines, which are critically important for establishing memory access time requirements, the capacitive loading is usually in the range of 25–100 pF, and the load is due to the input capacitance of the memory devices and PC trace capacitance.

Delays are expressed from the waveform midpoint in keeping with the convention used by memory manufacturers.

Table 28-9 lists the delays in gross memory access time for several values of V_{DDIO} .

Table 28-9. Preliminary Data and Clock Delays
($V_{DD} \pm 10\%$, Temp. $-40^{\circ}C$ to $85^{\circ}C$)

| VDD _{IO} (V) | Clock to Address Output Delay (ns) | | | Data Setup Time Delay (ns) | Worst-Case Spectrum Spreader Delay (ns) | | |
|--------------------------|--|-------|-------|----------------------------------|---|------------------------------|------------------------------|
| | 30 pF | 60 pF | 90 pF | | 0.5 ns setting no dbl / dbl | 1 ns setting no dbl / dbl | 2 ns setting no dbl / dbl |
| 3.3 | 6 | 8 | 11 | 1 | 2.3 / 2.3 | 3 / 4.5 | 4.5 / 9 |
| 1.8 | 18 | 24 | 33 | 3 | 7 / 6.5 | 8 / 12 | 11 / 22 |

When the spectrum spreader is enabled with the clock doubler, every other clock cycle is shortened or lengthened by a maximum amount given in the table above. The shortening takes place by shortening the high part of the clock. If the doubler is not enabled, then every clock is shortened during the low part of the clock period. The maximum shortening for a pair of clocks combined is shown in the table.

The gross memory access time is $2T$, where T is the clock period. To calculate the actual memory access time, subtract the clock to address output time, the data in setup time, and the clock period shortening due to the clock spectrum spreader from $2T$.

Example Memory Access Time Calculation

- clock = 29.49 MHz, so $T = 34$ ns
- operating voltage is 3.3 V
- bus loading is 60 pF
- clock to address output delay = 8 ns (see Table 28-9)
- data setup time = 1 ns
- spectrum spreader is on in 1 ns mode, resulting in a loss of 3 ns worst-case (see Table 28-9)

The access time is given by

$$\begin{aligned}
 \text{access time} &= 2T - (\text{clock to address}) - (\text{data setup}) - (\text{spreader delay}) \\
 &= 68 \text{ ns} - 8 \text{ ns} - 1 \text{ ns} - 3 \text{ ns} \\
 &= 56 \text{ ns}
 \end{aligned}$$

Similarly, the gross output-enable access time is $T +$ minimum clock low time (it is assumed that the early output enable option is enabled). This is reduced by the spectrum spreader loss, the time from clock to output for the output enable signal, the data setup time, and a correction for the asymmetry of the original oscillator clock.

Example Output-Enable Access Time Calculation

NOTE: There is some process and temperature variation in the clock doubler settings. As a rule of thumb, a 20% variation should be considered. When the doubler is enabled, 80% of the nominal value should be used for the memory access time calculation.

- clock = 29.49 MHz, so $T = 34$ ns
- operating voltage is 3.3 V
- the clock doubler has a nominal delay of 16 ns (see Table 28-8), resulting in a minimum clock low time of $80\% \times 16$ ns = 12.8 ns
- clock to output enable is 5 ns (assuming 20 pF load)
- spectrum spreader is on in 1 ns mode, resulting in a loss of 4.5 ns worst-case (see Table 28-9)
- main clock asymmetry is 52% / 48%, resulting in a loss of 4% of the clock period, or 1.4 ns

The output enable access time is given by

$$\begin{aligned} \text{access time} &= T + (\text{min. clock low}) - (\text{clock to output enable}) - \\ &\quad (\text{spreader delay}) - (\text{asymmetry delay}) - (\text{data setup time}) \\ &= 34 \text{ ns} + 12.8 \text{ ns} - 5 \text{ ns} - 4.5 \text{ ns} - 1.4 \text{ ns} \\ &= 36 \text{ ns} \end{aligned}$$

28.4 Clock Speeds

28.4.1 Recommended Clock/Memory Configurations

The preferred configuration for a Rabbit-based system is to use an external crystal or resonator that has a frequency one-half of the maximum internal clock frequency. The oscillator frequency can be doubled or divided by 2, 4, 6, or 8, giving a variety of operating speeds from the same crystal frequency. In addition, the 32.768 kHz oscillator that drives the battery-backable clock can be used as the main processor clock and, to save the substantial power consumed by the fast oscillator, the fast oscillator can be turned off. This scenario is called the *sleepy mode*, where the clock speed is from 2 kHz to 32 kHz, and the operating system current consumption of 10 to 120 μ A depends on frequency and voltage.

Table 28-10 describes some recommended clock and memory configurations for both 8-bit and 16-bit memory devices. Optimal configurations for using 15 ns, 45–55 ns, and 70 ns memories are shown. Note that there is always at least one wait state in the 16-bit mode.

Table 28-10. Recommended Clock/Memory Configurations

| Input Frequency (MHz) | Internal Frequency (MHz) | Recommended Memory Setup | | Use |
|-----------------------|--------------------------|---------------------------------|---------------------------------|---|
| | | SRAM | Flash | |
| 29.4912 | 58.9824 | 8 bits, 15 ns, 0 wait states | 8 bits, 45–55 ns, 2 wait states | Fastest 8-bit configuration without wait states (run code from SRAM) |
| 22.1184 | 44.2368 | 16 bits, 45–55 ns, 1 wait state | 16 bits, 45–55 ns, 1 wait state | Fastest 16-bit, 55 ns configuration without additional wait states |
| | | 8 bits, 15 ns, 0 wait states | 8 bits, 45–55 ns, 1 wait state | Fastest 8-bit, 55 ns configuration with 1 wait state (run code in SRAM) |
| 18.4320 | 36.8640 | 16 bits, 70 ns, 1 wait state | 16 bits, 70 ns, 1 wait state | Fastest 16-bit, 70 ns configuration without additional wait states |
| 14.7456 | 29.4912 | 8 bits, 45–55 ns, 0 wait states | 8 bits, 45–55 ns, 0 wait states | Fastest 8-bit, 55 ns configuration without wait states |
| 11.0592 | 22.1184 | 8 bits, 70 ns, 0 wait states | 8 bits, 70 ns, 0 wait states | Fastest 8-bit, 70 ns configuration without wait states |

The Rabbit 4000 is rated for a minimum clock period of 16 ns for both commercial and industrial specifications (preliminary). The commercial rating calls for a $\pm 5\%$ voltage variation from 3.3 V, and a temperature range from -40 to + 70°C. The industrial ratings stretch the voltage variation to $\pm 10\%$ over a temperature range from -40 to + 85°C. This corresponds to maximum clock frequencies of about 60 MHz (commercial or industrial). If the clock doubler or spectrum spreader is used, these maximum ratings must be reduced as shown in Table 28-11.

Table 28-11. Preliminary Maximum Clock Speeds
($V_{DD} \pm 10\%$, Temp. -40°C to $+85^{\circ}\text{C}$)

| Conditions | Industrial Ratings | | Duty Cycle Requirements (ns) |
|---|---------------------|-------------------------|---|
| | Minimum Period (ns) | Maximum Frequency (MHz) | |
| No Doubler or Spreader | 17 | 58.8 | |
| Spreader Only Normal | 20 | 50.0 | |
| Spreader Only Strong | 21 | 47.6 | |
| Doubler Only (8 ns delay) | 19 | 52.6 | $1 > (\text{clock low} - \text{clock high}) > 0$ |
| Doubler Only (internal 50% clock) | 20 | 50 | $1 > (\text{clock low} - \text{clock high}) > -1$ |
| Spreader Normal with Doubler (8 ns delay) | 21 | 47.6 | $4 > (\text{clock low} - \text{clock high}) > 2$ |
| Spreader Normal with Doubler (8 ns delay), Internal 50% Clock | 24 | 41.6 | $1 > (\text{clock low} - \text{clock high}) > -1$ |
| Spreader Only Strong | 21.5 | 46.5 | |
| Spreader Strong with Doubler (8 ns delay) | 23 | 43.5 | $8 > (\text{clock low} - \text{clock high}) > 6$ |

When the doubler is used, the duty cycle of the clock becomes a critical parameter. The duty cycle should be measured at the separate clock output pin (pin 2). The minimum period must be increased by any amount that the clock high time is greater or less than specified in the duty-cycle requirement.

For example, consider a design where the spreader and doubler are enabled, with 8 ns nominal delay in the doubler. The high and low clock are equal to within 1 ns. This violates the duty cycle requirement by 3 ns since $(\text{clock low} - \text{clock high})$ can be as small as -1 ns, but the requirement is that it not be less than 2 ns. Thus, 3 ns must be added to the minimum period of 21 ns, giving a minimum period of 24 ns and a maximum frequency of 41.6 MHz (commercial).

Since the built-in high-speed oscillator buffer generates a clock that is very close to having a 50% duty cycle, to obtain the highest clock speeds using the clock doubler you must use an external oscillator buffer that will allow for duty-cycle adjustment by changing the resistance of the power and ground connections as shown below.

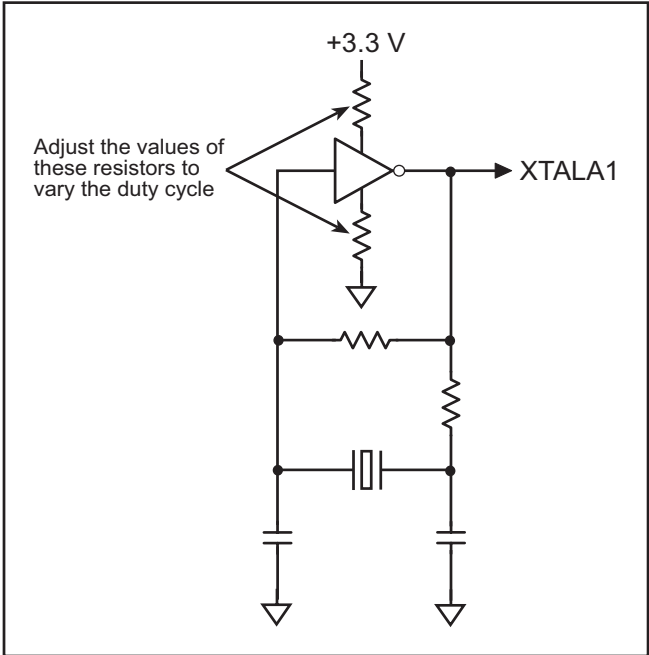


Figure 28-4. External Oscillator Buffer

28.5 Power and Current Consumption

Various mechanisms contribute to the current consumption of the Rabbit 4000 processor while it is operating, including current that is proportional to the voltage alone (leakage current) and dependent on both voltage and frequency (switching and crossover current). To reduce current consumption, the clock can be divided down in one of the sleepy modes; see Table 26-1 for more details.

Figure 28-5 shows a typical current draw as a function of the main clock frequency. The values shown do not include any current consumed by external oscillators or memory. It is assumed that approximately 30 pF is connected to each address line.

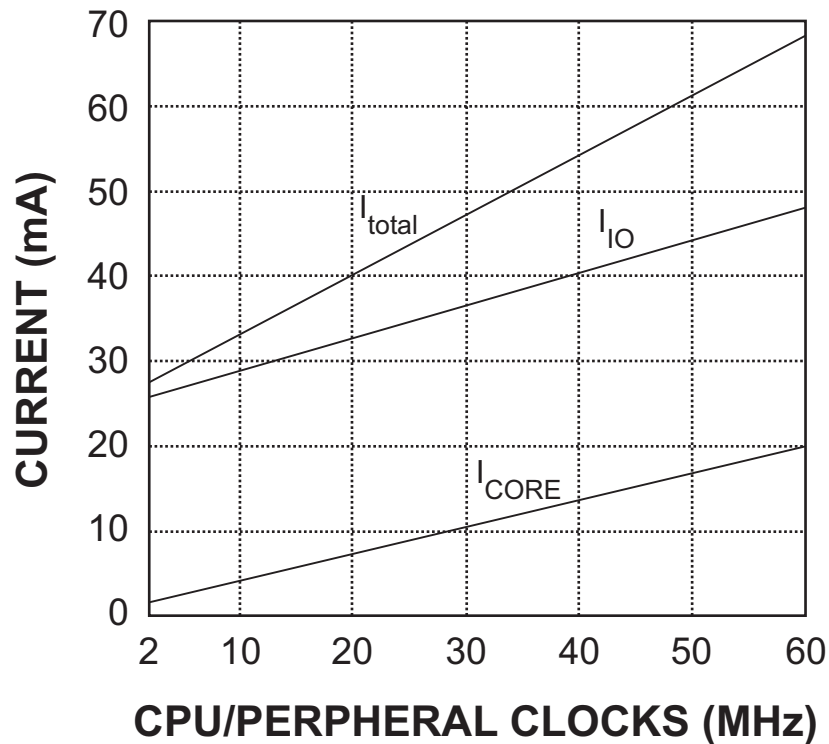


Figure 28-5. Typical Current Draw as a Function of the Main Clock Frequency

28.5.1 Sleepy Mode Current Consumption

The Rabbit 4000 supports designs with very low power consumption by using features such as the ultra-sleepy modes and self-timed chip selects. At the low frequencies possible in the ultra-sleepy modes (as low as 2 kHz), the external memory devices become significant factors in the current consumption unless one of the short or self-timed chip selects are used.

Figure 28-6 shows a typical current draw for the ultra sleepy modes.

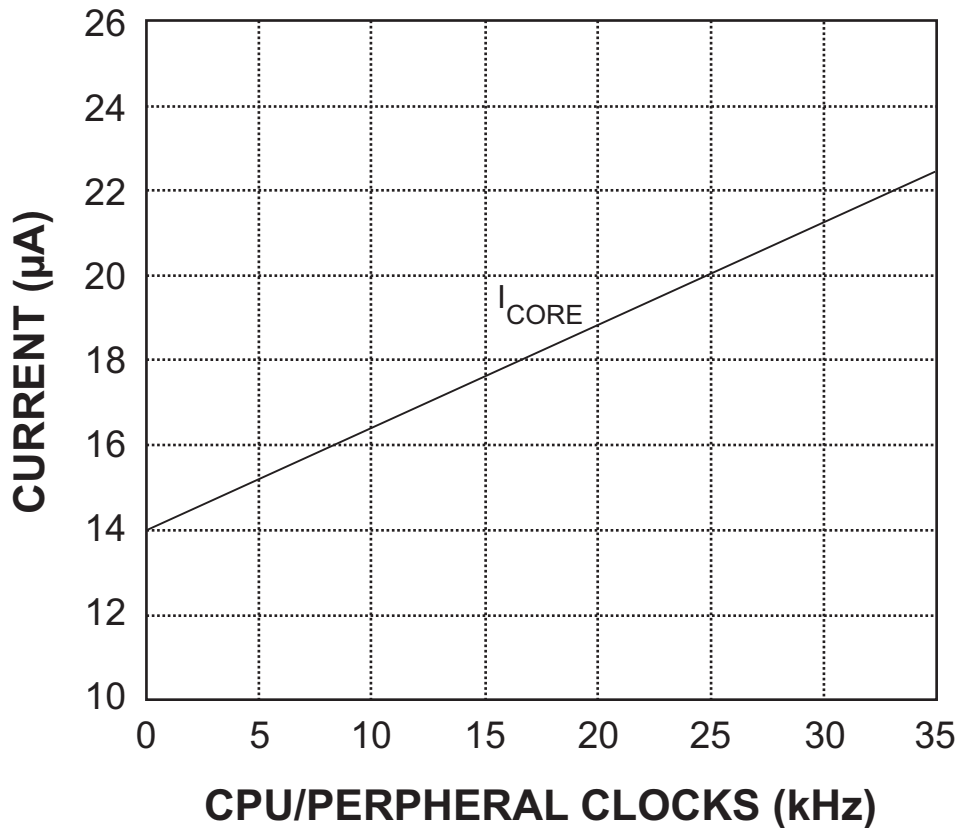


Figure 28-6. Typical Current Draw for the Ultra Sleepy Modes

28.5.2 Battery-Backed Clock Current Consumption

For the battery-backed features of the Rabbit 4000 to perform while the processor is powered down, both the VBAT and VBATIO pins need to be supplied properly. The VBAT pin powers the internal real-time clock and the battery-backed SRAM, while VBATIO powers the /RESET, /CS1, CLK32K, and RESOUT pins.

Note that the VBATIO pin can be powered at 1.8 V during powerdown even if the processor is running at 3.3 V normally. A circuit to switch between a 1.8–2.0 V battery and the main power can use the RESOUT pin to switch the power source for the VBATIO pin. R is a current-limiting resistor that should be adjusted for the battery voltage; a good value to use for a 3.0 V battery is 150 k Ω .

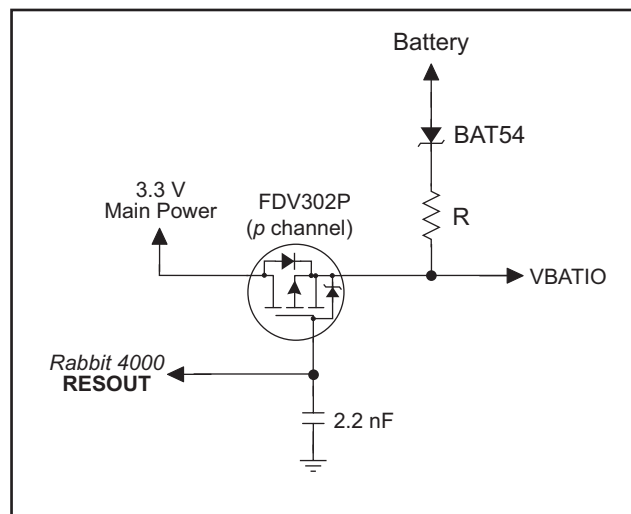


Figure 28-7. Switching Circuit for VATIO Pin

Table 28-12 shows the typical current consumption for these pins while the remainder of the Rabbit 4000 is powered down.

Table 28-12. Typical Battery-Backed Current Consumption (-40°C to +85°C)

| Pin | Voltage | Current |
|--------|---------|-------------|
| VBAT | 1.8 V | 1.7 μ A |
| VBATIO | 1.8 V | 0.1 μ A |

29. PACKAGE SPECIFICATIONS AND PINOUT

29.1 LQFP Package

29.1.1 Pinout

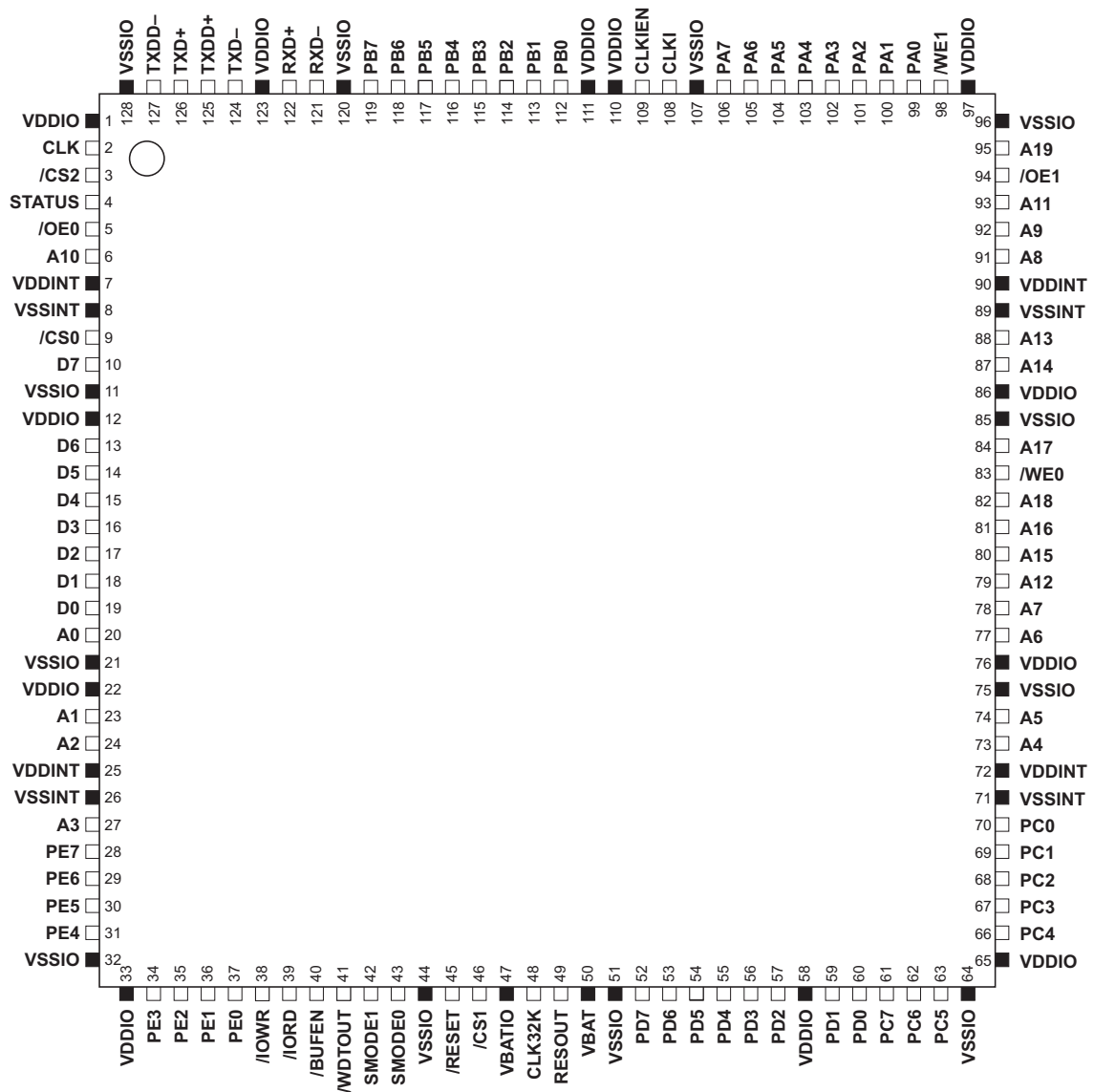


Figure 29-1. Package Outline and Pin Assignments

29.1.2 Mechanical Dimensions and Land Pattern

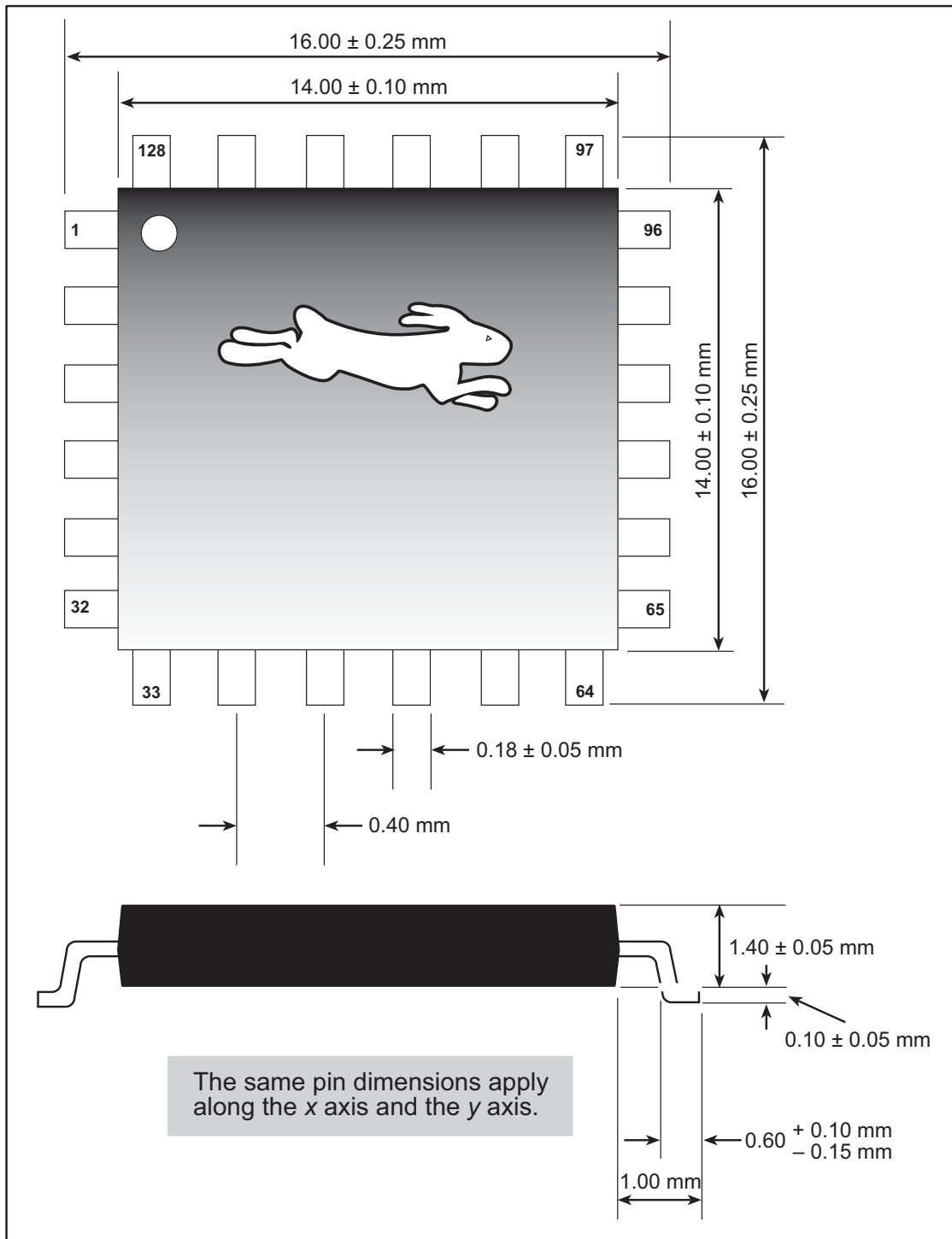


Figure 29-2. Mechanical Dimensions Rabbit LQFP Package

Figure 29-3 shows the PC board land pattern for the Rabbit 4000 chip in a 128-pin LQFP package. This land pattern is based on the IPC-SM-782 standard developed by the Surface Mount Land Patterns Committee and specified in *Surface Mount Design and Land Pattern Standard*, IPC, Northbrook, IL, 1999.

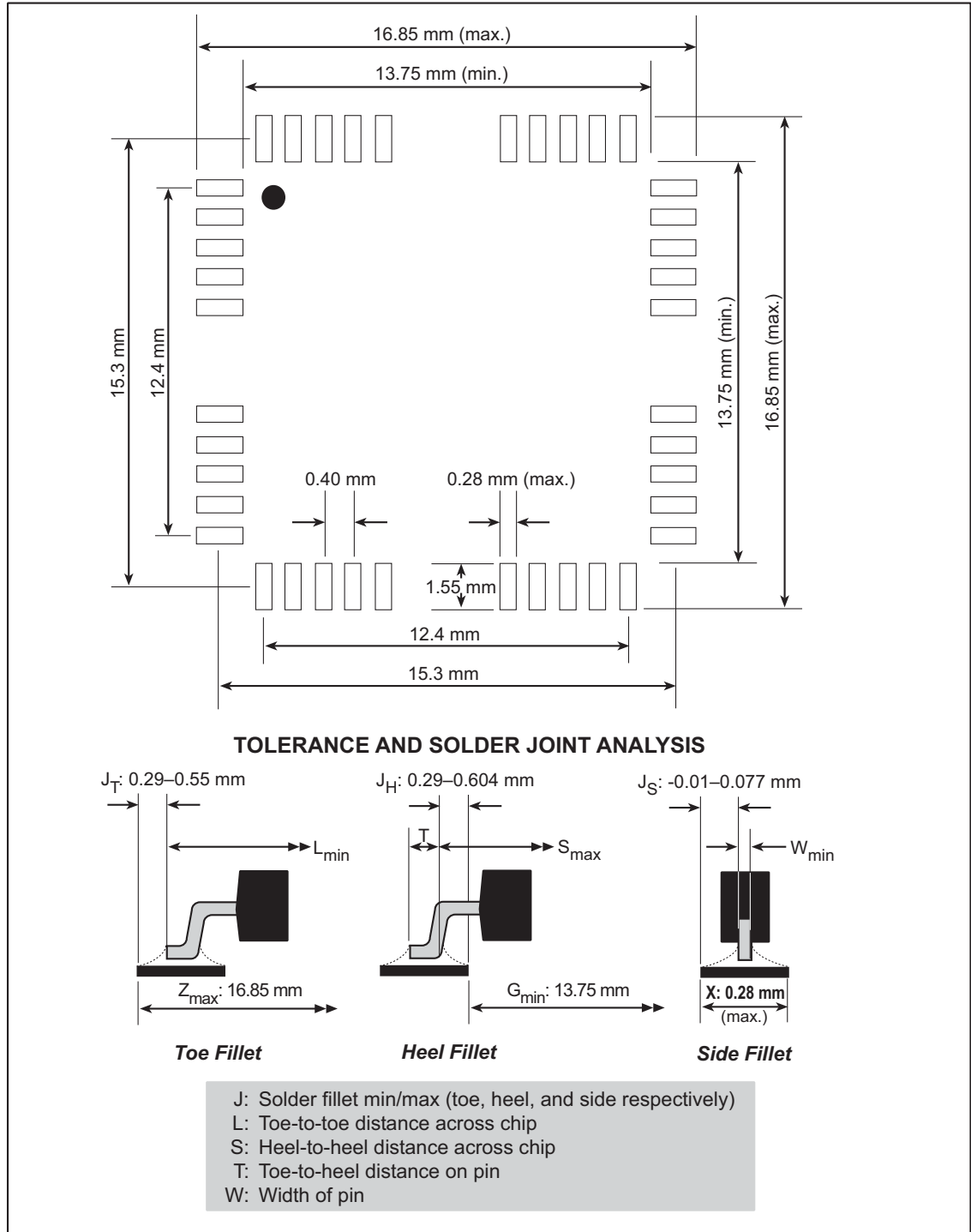


Figure 29-3. PC Board Land Pattern for Rabbit 4000 128-pin LQFP

29.2 Ball Grid Array Package

29.2.1 Pinout

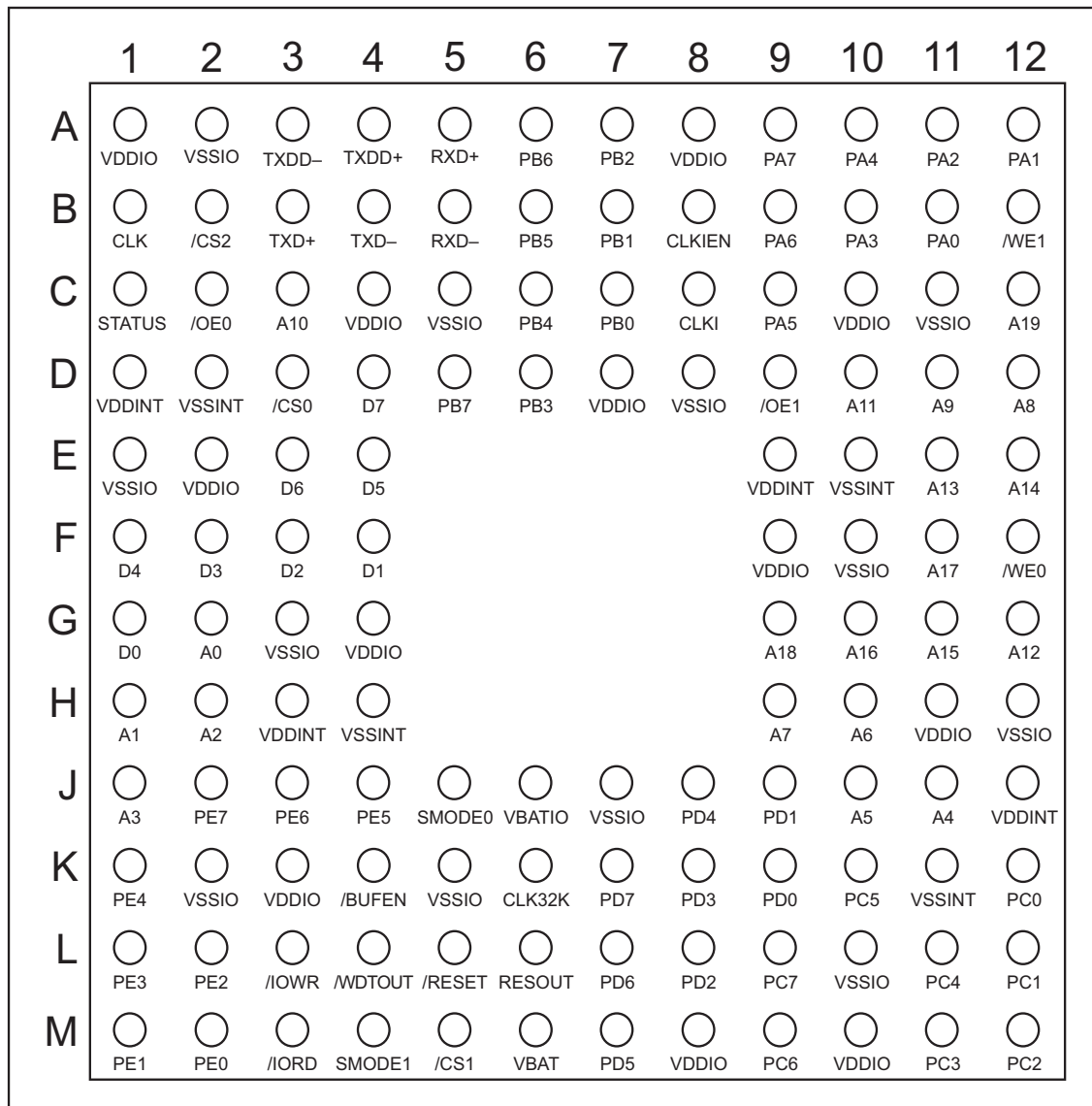


Figure 29-4. Ball Grid Array Pinout Looking Through the Top of Package

29.2.2 Mechanical Dimensions and Land Pattern

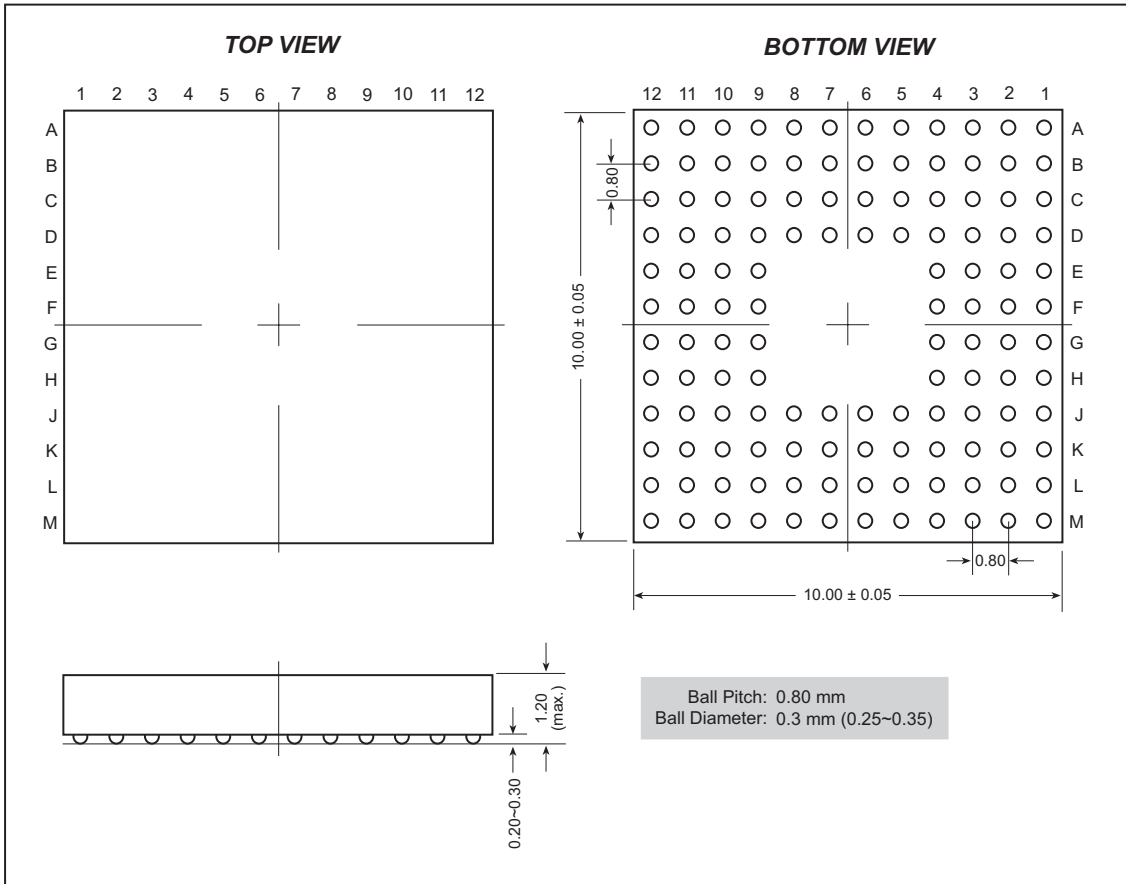


Figure 29-5. BGA Package Outline

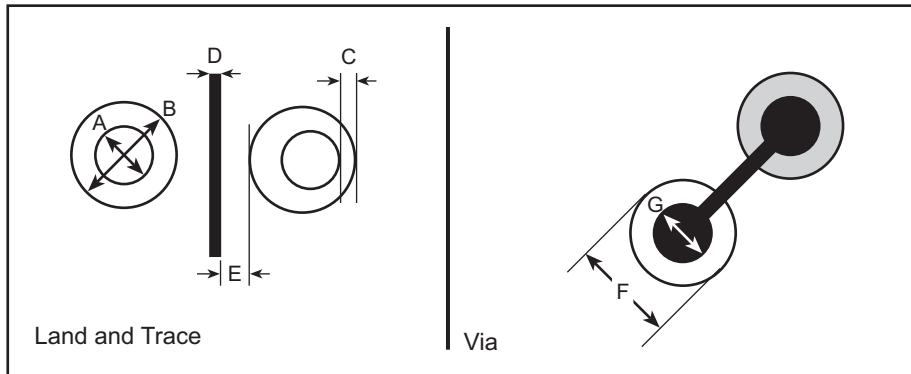
Table 29-1. Ball and Land Size Dimensions

| Nominal Ball Diameter (mm) | Tolerance Variation (mm) | Ball Pitch (mm) | Nominal Land Diameter (mm) | Land Variation (mm) |
|----------------------------|--------------------------|-----------------|----------------------------|---------------------|
| 0.3 | 0.35–0.25 | 0.8 | 0.25 | 0.25–0.20 |

The design considerations in Table 29-2 are based on 5 mil design rules and assume a single conductor between solder lands.

**Table 29-2. Design Considerations
(all dimensions in mm)**

| Key | Feature | Recommendation |
|-----|-------------------------------|----------------|
| A | Solder Land Diameter | 0.254 (0.010) |
| B | NSMD Defined Land Diameter | 0.406 (0.016) |
| C | Land to Mask Clearance (min.) | 0.050 (0.002) |
| D | Conductor Width (max.) | 0.127 (0.005) |
| E | Conductor Spacing (typ.) | 0.127 (0.005) |
| F | Via Capture Pad (max.) | 0.406 (0.016) |
| G | Via Drill Size (max.) | 0.254 (0.010) |



29.3 Rabbit Pin Descriptions

Table 29-3 lists all the pins on the Rabbit 4000 along with the data direction of the pin, its function, and the pin number on the die.

Table 29-3. Rabbit 4000 Pin Descriptions

| Pin Group | Pin Name | Direction | Function | LQFP Pin | TFBGA Ball |
|------------------|------------------|---------------|--------------------------------|--------------|------------|
| Hardware | CLK | Output | Internal Clock Output | 2 | B1 |
| | CLK32K | Input | 32 kHz Clock In | 48 | K6 |
| | /RESET | Input | Master Reset | 45 | L5 |
| | RESOUT | Output | Reset Output | 49 | L6 |
| | CLKI | Input | Main Clock In | 108 | C8 |
| | CLKIEN | Output | Main Clock Enable | 109 | B8 |
| CPU Buses | A[19:0] | Output | Address Bus | various | various |
| | D[7:0] | Bidirectional | Data Bus | various | various |
| Status & Control | /WDTOUT | Output | Watchdog Timer Timeout | 41 | L4 |
| | STATUS | Output | Instruction Fetch First Byte | 4 | C1 |
| | SMODE1 SMODE0 | Input | Bootstrap Mode & Tamper Detect | 42, 43 | M4, J5 |
| Chip Selects | /CS0 | Output | Memory Chip Select 0 | 9 | D3 |
| | /CS1 | Output | Memory Chip Select 1 | 46 | M5 |
| | /CS2 | Output | Memory Chip Select 2 | 3 | B2 |
| Output Enables | /OE0 | Output | Memory Output Enable 0 | 5 | C2 |
| | /OE1 | Output | Memory Output Enable 1 | 94 | D9 |
| Write Enables | /WE0 | Output | Memory Write Enable | 83 | F12 |
| | /WE1 | Output | Memory Write Enable | 98 | B12 |
| I/O Control | /BUFEN | Output | I/O Buffer Enable | 40 | K4 |
| | /IORD | Output | I/O Read Enable | 39 | M3 |
| | /IOWR | Output | I/O Write Enable | 38 | L3 |
| I/O Ports | PA[7:0] | Input/Output | I/O Parallel Port A | 99–106 | various |
| | PB[7:0] | Input/Output | I/O Parallel Port B | 112–119 | various |
| | PC[7:0] | Input/Output | I/O Parallel Port C | 61–73, 66–70 | various |
| | PD[7:0] | Input/Output | I/O Parallel Port D | 52–57, 59–60 | various |
| | PE[7:0] | Input/Output | I/O Parallel Port E | 28–31, 34–37 | various |

Table 29-3. Rabbit 4000 Pin Descriptions

| Pin Group | Pin Name | Direction | Function | LQFP Pin | TFBGA Ball |
|-----------|--------------------------------|-----------|------------------|----------|----------------------|
| Network | TXD+ TXD- TXDD+ TXDD- | Output | Network Transmit | 124–127 | B3 B4 A4 A3 |
| | RXD+ RXD- | Input | Network Receive | 121–122 | A5 A5 |

APPENDIX A. PARALLEL PORT PINS WITH ALTERNATE FUNCTIONS

A.1 Alternate Parallel Port Pin Outputs

Table A-1. Alternate Parallel Port A and B Pin Outputs

| Pin | Alternate Output Options | | |
|---------|--------------------------|----------|------------|
| | Serial Clock | I/O Mode | Slave Mode |
| PA[7:0] | — | Data | — |
| PB7 | — | IA5 | /SLVATN |
| PB6 | — | IA4 | — |
| PB5 | — | IA3 | — |
| PB4 | — | IA2 | — |
| PB3 | — | IA1 | — |
| PB2 | — | IA0 | — |
| PB1 | SCLKA | IA7 | — |
| PB0 | SCLKB | IA6 | — |

Table A-2. Alternate Parallel Port C, D, and E Pin Outputs

| Pin | Alternate Output Option | | | | |
|-----|-------------------------|-------|----------|-------|-------------|
| | 0 | 1 | 2 | 3 | 16-bit Data |
| PC7 | TXA | I7 | PWM3 | SCLKC | — |
| PC6 | TXA | I6 | PWM2 | TXE | — |
| PC5 | TXB | I5 | PWM1 | RCLKE | — |
| PC4 | TXB | I4 | PWM0 | TCLKE | — |
| PC3 | TXC | I3 | TIMER C3 | SCLKD | — |
| PC2 | TXC | I2 | TIMER C2 | TXF | — |
| PC1 | TXD | I1 | TIMER C1 | RCLKF | — |
| PC0 | TXD | I0 | TIMER C0 | TCLKF | — |
| PD7 | IA7 | I7 | PWM3 | SCLKC | D15 |
| PD6 | TXA | I6 | PWM2 | TXE | D14 |
| PD5 | IA6 | I5 | PWM1 | RCLKE | D13 |
| PD4 | TXB | I4 | PWM0 | TCLKE | D12 |
| PD3 | IA7 | I3 | TIMER C3 | SCLKD | D11 |
| PD2 | SCLKC* | I2 | TIMER C2 | TXF | D10 |
| PD1 | IA6 | I1 | TIMER C1 | RCLKF | D9 |
| PD0 | SCLKD† | I0 | TIMER C0 | TCLKF | D8 |
| PE7 | I7 | /ACT | PWM3 | SCLKC | — |
| PE6 | I6 | — | PWM2 | TXE | — |
| PE5 | I5 | /LINK | PWM1 | RCLKE | — |
| PE4 | I4 | /A0 | PWM0 | TCLKE | — |
| PE3 | I3 | A23 | TIMER C3 | SCLKD | — |
| PE2 | I2 | A22 | TIMER C2 | TXF | — |
| PE1 | I1 | A21 | TIMER C1 | RCLKF | — |
| PE0 | I0 | A20 | TIMER C0 | TCLKF | — |

* When Serial Port C is enabled in the clocked serial mode with an internal clock, PD2 becomes SCLKC and is not available for other use. However, all the Parallel Port D pins are used for the 16-bit data bus, and so a pin on another parallel port then has to be selected for the clock output.

† When Serial Port D is enabled in the clocked serial mode with an internal clock, PD0 becomes SCLKD and is not available for other use. However, all the Parallel Port D pins are used for the 16-bit data bus, and so a pin on another parallel port then has to be selected for the clock output.

A.2 Alternate Parallel Port Pin Inputs

Table A-3. Alternate Parallel Port Pin Inputs

| Pin | Input Capture | DMA | External Interrupt | I/O Handshake | Network | Quadrature Decoder | Slave Port | Serial Ports A–D | Serial Ports E–F |
|---------|---------------|-------|--------------------|---------------|---------|--------------------|------------|------------------|------------------|
| PA[7:0] | — | — | — | — | — | | Data | — | — |
| PB7 | — | — | — | — | — | — | | — | — |
| PB6 | — | — | — | — | — | — | /SCS | — | — |
| PB5 | — | — | — | — | — | — | SA1 | — | — |
| PB4 | — | — | — | — | — | — | SA0 | — | — |
| PB3 | — | — | — | — | — | — | /SRD | — | — |
| PB2 | — | — | — | — | — | — | /SWR | — | — |
| PB1 | — | — | — | — | — | — | — | SCLKA | — |
| PB0 | — | — | — | — | — | — | — | SCLKB | — |
| PC7 | Yes | — | — | — | — | — | — | RXA | RXE |
| PC6 | — | — | — | — | — | — | — | — | — |
| PC5 | Yes | — | — | — | — | — | — | RXB | RCLKE |
| PC4 | — | — | — | — | — | — | — | — | TCLKE |
| PC3 | Yes | — | — | — | — | — | — | RXC | RXF |
| PC2 | — | — | — | — | — | — | — | — | — |
| PC1 | Yes | — | — | — | — | — | — | RXD | RCLKF |
| PC0 | — | — | — | — | — | — | — | — | TCLKF |
| PD7 | Yes | — | — | — | — | — | — | RXA | RXE |
| PD6 | — | — | — | — | — | — | — | — | — |
| PD5 | Yes | — | — | — | — | — | — | RXB | RCLKE |
| PD4 | — | — | — | — | — | — | — | — | TCLKE |
| PD3 | Yes | DREQ1 | — | — | — | QRD2A | — | RXC | RXF |
| PD2 | — | DREQ0 | — | — | — | QRD2B | — | SCLKC | — |
| PD1 | Yes | — | INT1 | — | — | QRD1A | — | RXD | RCLKF |
| PD0 | — | — | INT0 | — | — | QRD1B | — | SCLKD | TCLKF |
| PE7 | Yes | DREQ1 | — | Yes | — | QRD2A | /SCS | RXA | RXE |
| PE6 | — | DREQ0 | — | Yes | ECLK | QRD2B | — | — | — |
| PE5 | Yes | — | INT1 | Yes | — | QRD1A | — | RXB | RCLKE |

Table A-3. Alternate Parallel Port Pin Inputs (continued)

| Pin | Input Capture | DMA | External Interrupt | I/O Handshake | Network | Quadrature Decoder | Slave Port | Serial Ports A-D | Serial Ports E-F |
|------------|----------------------|------------|---------------------------|----------------------|----------------|---------------------------|-------------------|-------------------------|-------------------------|
| PE4 | — | — | INT0 | Yes | — | QRD1B | — | — | TCLKE |
| PE3 | Yes | DREQ1 | — | Yes | — | QRD2A | — | RXC | RXF |
| PE2 | — | DREQ0 | — | Yes | — | QRD2B | — | SCLKC | — |
| PE1 | Yes | | INT1 | Yes | — | QRD1A | — | RXD | RCLKF |
| PE0 | — | | INT0 | Yes | — | QRD1B | — | SCLKD | TCLKF |



APPENDIX B. RABBIT 4000 ESD DESIGN GUIDELINES AND BUG WORKAROUNDS

The Rabbit 4000 began shipping in 2006, and has undergone one minor respin since that time. Several bugs were found in the design after the chip was produced, and are discussed in this appendix.

B.1 ESD Sensitivity

A small number of the original Rabbit 4000 LQFP processors had somewhat greater ESD sensitivity between the VBAT pin and VSS_{CORE}, making the VBAT pin more sensitive to ESD events than any of the other pins. Devices with the following markings have this sensitivity.

- AT58206-0L1T (LQFP)
- DAT58206-UL1T (LQFP)

There is no danger to the chip as long as normal ESD precautions are taken, and there is no greater ESD sensitivity on the VBAT pin once the chip is installed in a design as long as the design guidelines recommended below are followed.

The design was respun to improve the ESD protection on the VBAT pin. Rabbit 4000 processors with the following markings have this additional protection:

- AT58206-UL2T (LQFP)
- AT58206-JCT2T (TFBGA)

NOTE: All Rabbit processors are sensitive to ESD, and should be handled appropriately.

B.1.1 ESD Design Guidelines

The following design guidelines are recommended for designs incorporating a Rabbit 4000 processor with ESD sensitivity on VBAT. Note that these guidelines should be considered standard for all Rabbit Semiconductor products, and are good design recommendations for all Rabbit processors.

1. The 1.8 V supply for VBAT should be provided by a regulator with at least 2 kV ESD protection (human body model).
2. The 3.3 V supply should have smaller 0.1 μF , 0.01 μF , and 2.2 nF bypass capacitors throughout the layout. In addition, the 3.3 V supply should also have a large value bulk capacitor (10 μF).
3. The power going to VBAT should also be protected by a diode and two resistors. See a Rabbit Semiconductor schematic for a RabbitCore module based on the Rabbit 4000 for more details.

B.2 Bugs

The following bugs have been identified in the Rabbit 4000 design, and are present in all devices currently available.

1. **Primary/secondary watchdog timer interaction** — if the secondary watchdog timer is enabled when a primary watchdog timeout occurs (resetting the processor), the secondary watchdog timer is still enabled when the device comes out of reset, which is not the documented behavior (the secondary watchdog should be disabled on reset).

The BIOS provided by Rabbit Semiconductor in Dynamic C avoids this bug by disabling the secondary watchdog on startup or reset by writing 0x5F to WDTCR. The secondary watchdog timer is then enabled if needed with the `#define USE_SECONDARY_WD` macro.

2. **Stack protection/DMA interaction** — when stack protection is enabled and a DMA transfer is occurring, the stack protection interrupt will occur if the lower 16 bits of a DMA transfer's *physical* write address match the 16 bits of the stack protection's *logical* address limits.
3. **DMA/HDLC/Ethernet interaction** — a specific bug can manifest itself when the following conditions are present.

- The HDLC or Ethernet peripherals are being fed bytes for transmit via DMA.
- The current DMA buffer has been marked with “special treatment for last byte.”
- The buffer has not been marked as “final buffer.”
- The DMA fills the transmit FIFO with the next-to-last byte of the buffer and then either switches to another channel or releases the bus.
- The DMA then returns to the channel before the transmitter has had a chance to transmit a single byte, freeing space in the transmit FIFO.

When all these conditions occur, the DMA will overwrite the next-to-last byte in the transmit FIFO, and that particular byte will never be transmitted.

There are several ways to avoid this bug.

- Always mark the buffer that contains the end-of-frame byte as the final buffer, and restart the DMA once that buffer has been transmitted.
- Make sure that the DMA will not return to this channel before the transmitter has sent one byte from the transmit FIFO.
- Place the end-of-frame byte in a separate DMA buffer.

The Ethernet driver provided by Rabbit Semiconductor in Dynamic C is written so that this bug never occurs.

4. **DMA/block copy interaction** — when a DMA transfer occurs during a block copy instruction (LDIR, LDDR, COPY, COPYR, UMA, or UMS) while executing code out of 16-bit memory with the “advanced 16-bit mode” enabled, the code prefetch queue and program counter will become out-of-synch. This means that one or two incorrect bytes (depending on the 16-bit alignment of the instruction) are reloaded and presented to the processor as instructions when execution is “rewound” after the DMA transfer. The result of this mismatch is that the block copy instruction does not complete.

The only way to prevent this from occurring is to prevent DMA transfers during block copy instructions, either by disabling the DMA or by increasing the processor priority above the priority of the DMA transfer.

There is a workaround. The processor’s BC register is used as a program counter by the block copy instructions, and will be nonzero if the block copy instruction did not complete. By checking the value of BC and jumping back to the block copy instruction if it is nonzero, the block copy instruction is restarted with all the current register values (source and destination pointers) and will continue where it left off. Rabbit Semiconductor’s Dynamic C compiler automatically includes this wrapper code whenever it identifies a block copy instruction.

5. **Single-byte timed and external DMA requests to internal I/O registers** — when timed or external DMA requests are enabled and set to transfer a single byte at a time to an internal I/O register, two bytes will actually be transferred.

The simplest workaround is to double each data byte in the buffer; two bytes will be transmitted, but they will be identical, so the actual I/O register setting will not change.

6. **Wait states when moving from advanced 16-bit mode to basic modes** — a wait state may be missed when certain instructions transfer execution from a device operating in the advanced 16-bit mode to a device operating in a different memory interface mode. Depending on the characteristics of the memory being accessed, this can lead to a missed or incorrect instruction byte being read.

The exact circumstances that cause the missed wait state are complicated to predict because they involve the advanced 16-bit operating mode. In this mode a semi-autonomous prefetch mechanism fetches words from a 16-bit memory to feed to the instruction decoder. The fetched instruction bytes are presented to the instruction decoder on an as-needed basis, which is only loosely coupled to the operation of the external memory bus.

The bug can *only* occur if the following conditions are met.

1. One of these three instructions is used — JP (HL), JP (IX), or JP (IY).
2. The jump is from a memory using the advanced 16-bit mode into a memory that is not using the advanced 16-bit mode.
3. The destination memory requires wait states.

Whether the bug occurs is a function of when the instruction decoder accepts the JP instruction relative to the fetch of the next instruction on the bus. This in turn depends on both the instructions immediately prior to the JP instruction and the number of wait states used by the prefetch mechanism.

The simplest workaround is to not use the instructions listed above. The same operation can be handled by the following code sequence.

```
PUSH HL    ; or IX or IY
RET
```

This code sequence will take more clocks to execute.

Another way to avoid the bug is to increase the number of wait states, if possible, on the device operating in the basic mode. Using this option will produce a loss of performance.

Finally, this bug is best avoided by not using the basic 16-bit mode unless absolutely necessary. It is highly likely that any SRAM device that you are executing code in will support the advanced 16-bit mode with byte-writes enabled, which will also improve the overall performance as a result of the 16-bit data fetches.

INDEX

Numerics

- 32 kHz clock 18
- oscillator circuit 18

A

- auxiliary I/O bus 247
- operation 252
- handshake 252
- strobes 252

B

- block diagram
 - bootstrap 25
 - breakpoints 264
 - clocks 10
 - DMA channels 175
 - external I/O control 250
 - external interrupts 69
 - input capture channels 220
 - memory management 43
 - Network Port A 203
 - Parallel Port A 73
 - Parallel Port B 78
 - Parallel Port C 82
 - Parallel Port D 89
 - Parallel Port E 99
 - PWM 241
 - quadrature decoder 233
 - Rabbit 4000 4
 - reset 25
 - Serial Ports A – D 131
 - Serial Ports E – F 146
 - slave port 162
 - system management 32
 - Timer A 109
 - Timer B 115
 - Timer C 122

- bootstrap 25
- block diagram 25
- dependencies 26
- memory fetch 28
- onchip-encryption SRAM 28
- register descriptions 29
- registers 26
- breakpoints 263
- block diagram 264
- dependencies 266
- interrupts 266
- example ISR 267
- memory vs. I/O accesses 263
- operation 266
- overview 263
- register descriptions 268
- registers 265
- bugs
 - workarounds 335
 - advanced 16-bit mode 336
 - DMA requests to internal I/O registers 186, 336
 - DMA/block copy interaction 186, 336
 - DMA/HDLC/Ethernet interaction 185, 335
 - stack protection/DMA interaction 35, 52, 335

C

- clock modes 12
- clocks 9
- 32 kHz clock 18
- oscillator circuit 18
- power consumption 18
- block diagram 10
- clock doubler 15, 16
- clock modes 12
- clock speeds 314
- doubling/dividing 9
- EMI mitigation 9

- Ethernet clock 9
- maximum clock speed 17
- operation 12
- overview 9
- power consumption 17
- register descriptions 20
- registers 10
- sleepy clock modes 19
- spectrum spreader 9, 311
- comparison with other Rabbit microprocessors 6

D

- design considerations
 - BGA package 326
- design guidelines
 - ESD 334
- dimensions
 - BGA package 325
 - LQFP package 322
- DMA channels 173
- block diagram 175
- buffer descriptor 178
- buffer descriptor modes 181
- channel priorities 181
- clocks 177
- control 174
- dependencies 177
- DMA/block copy interaction 186, 336
- external requests 173
- interrupts 174, 177, 179
- example ISR 179
- memory addresses 174
- operation 178
- overview 173
- priorities 179
- register descriptions 187
- registers 176
- setup 178

DMA channels (continued)
 single-byte DMA requests
 to internal I/O registers
 186, 336
 timed requests 173
 transfer 186, 336
 transfer priorities 179
 transfer priority 179
 transfer rates 180
 transfers 174
 use with peripherals 185
 DMA/HDLC/Ethernet
 interaction 185, 335
 Ethernet 185
 HDLC serial ports 185
 PWM and Timer C 185
 DMA control 173

E

ESD
 design guidelines 334
 ESD sensitivity 2, 334
 Ethernet interface circuit 209
 Ethernet.
See Network Port A
 external I/O control 247
 auxiliary I/O bus 247
 block diagram 250
 clocks 251
 dependencies 251
 handshake 249
 operation 252
 auxiliary I/O bus 252
 handshake 252
 strobes 252
 overview 247
 register descriptions 253
 registers 250
 strobes 248

H

hardware debugging.
See breakpoints

I

input capture channels 219
 block diagram 220
 clocks 222
 dependencies 222
 interrupts 222, 223
 example ISR 223
 load parallel port output regis-
 ters 220
 measure pulse widths 219

modes 219
 input-capture mode 219
 input-count mode 219
 operation 223
 input-capture mode 224
 input-count mode 220
 overview 219
 register descriptions 225
 registers 221
 start and stop events 219
 interrupt priorities 68
 interrupts 65
 breakpoints 266
 example ISR 267
 DMA channels 174, 177, 179
 example ISR 179
 external interrupt vector table
 67
 external interrupts 69, 70
 block diagram 69
 clocks 70
 dependencies 70
 example ISR 70
 interrupt vectors 70
 operation 70
 register descriptions 71
 registers 70
 input capture channels 222, 223
 example ISR 223
 internal interrupt vector table
 66
 interrupt priorities 68
 memory management 45
 Network Port A 205, 207
 operation 66
 Parallel Port D 91
 Parallel Port E 101
 priority levels 65
 PWM 239, 242, 243
 example ISR 243
 quadrature decoder ..232, 234
 example ISR 235
 Serial Ports A – D 134
 Serial Ports E – F 149
 slave port 161, 163, 166
 example ISR 166
 system management 31, 33, 34
 System/User mode ..286, 292
 Timer A 108, 111
 example ISR 111
 Timer B 116, 117
 example ISR 117
 Timer C 124, 125
 example ISR 125

L

land pattern
 BGA package 325
 LQFP package 322
 low-power operation 271
 clock rates 273
 clock modes 273
 current draw for ultra sleepy
 modes 272
 current draw vs. clock
 frequency 271
 handling unused pins 273
 operation 273
 overview 271
 register descriptions 280
 registers 272
 self-timed chip selects 279
 short chip selects 274
 LQFP package
 mechanical dimensions ...322

M

memory
 read and write cycles (no wait
 states) 307
 memory management 41
 block diagram 43
 clocks 45
 dependencies 45
 interrupts 45
 logical memory space 42
 mapping physical memory
 space 41
 MMU operation 47
 operation 46
 16-bit and page modes ...49
 8-bit operation 47
 advanced memory modes
 49
 instruction and data space
 52
 memory protection 52
 MMU 46
 read and write transactions
 50
 stack protection 52
 stack protection/DMA
 interaction 52, 335
 overview 41
 physical and logical memory
 mapping 42
 register descriptions 53
 registers 44, 45, 46
 memory protection 52

N

| | |
|-------------------------------|----------|
| Network Port A | 201 |
| block diagram | 203 |
| clock | 201 |
| clocks | 205 |
| dependencies | 205 |
| DMA transfers | 202 |
| Ethernet interface circuit .. | 209 |
| high-level protocols | 202 |
| interrupts | 205, 207 |
| operation | 206 |
| multicast addressing | 208 |
| receive | 206 |
| transmit | 206 |
| overview | 201 |
| receiver | 202 |
| register descriptions | 210 |
| registers | 204 |
| setup | 206 |
| transmitter | 201 |

O

| | |
|---------------------------|-----|
| onchip Ethernet. | |
| <i>See</i> Network Port A | |
| opcodes | |
| System/User mode | 290 |

P

| | |
|-------------------------------|----|
| Parallel Port A | 73 |
| alternate output functions .. | 73 |
| block diagram | 73 |
| clocks | 74 |
| external I/O data bus | 73 |
| operation | 74 |
| overview | 73 |
| register description | 79 |
| register descriptions | 75 |
| registers | 73 |
| slave port data bus | 73 |
| Parallel Port B | 77 |
| alternate output functions .. | 77 |
| auxiliary I/O bus | 77 |
| block diagram | 78 |
| clocks | 78 |
| dependencies | 78 |
| operation | 79 |
| overview | 77 |
| register descriptions | 79 |
| registers | 78 |
| slave port enabled | 77 |
| SPCR setup | 77 |

| | |
|-------------------------------|-----|
| Parallel Port C | 81 |
| alternate input functions ... | 81 |
| alternate output functions .. | 81 |
| block diagram | 82 |
| clocks | 83 |
| dependencies | 83 |
| operation | 83 |
| overview | 81 |
| PCDR setup | 81 |
| default | 82 |
| register descriptions | 84 |
| registers | 82 |
| Parallel Port D | 87 |
| alternate input functions ... | 88 |
| alternate output functions .. | 87 |
| block diagram | 89 |
| clocks | 90 |
| dependencies | 90 |
| interrupts | 91 |
| operation | 91 |
| overview | 87 |
| PDDR setup | 87 |
| register descriptions | 92 |
| registers | 90 |
| Parallel Port E | 97 |
| alternate input functions ... | 98 |
| alternate output functions .. | 97 |
| block diagram | 99 |
| clocks | 100 |
| dependencies | 100 |
| interrupts | 101 |
| operation | 101 |
| overview | 97 |
| PEDR setup | 97 |
| register descriptions | 102 |
| registers | 100 |
| peripherals | |
| system management | 31 |
| pin descriptions | 327 |
| alternate pin functions | |
| Parallel Port A and B | |
| outputs | 329 |
| Parallel Port C, D, and E | |
| outputs | 330 |
| parallel port inputs | 331 |
| pin functions | 327 |
| alternate pin functions | |
| Parallel Port A and B out- | |
| puts | 329 |
| Parallel Port C, D, and E | |
| outputs | 330 |
| parallel port inputs | 331 |

| | |
|-----------------------------|---------------|
| pinout | 327 |
| BGA package | 324 |
| LQFP package | 321 |
| power consumption | 17 |
| pulse width modulator. | |
| <i>See</i> PWM | |
| PWM | 239 |
| block diagram | 241 |
| channels | 242 |
| clocks | 242 |
| dependencies | 242 |
| DMA channels | 240 |
| interrupts | 239, 242, 243 |
| example ISR | 243 |
| operation | 243 |
| outputs | 239, 240 |
| overview | 239 |
| register descriptions | 244 |
| registers | 241 |
| spreading function | 240 |

Q

| | |
|-----------------------------|---------------|
| quadrature decoder | 231 |
| block diagram | 233 |
| clocks | 232, 234 |
| counter operation | 231 |
| dependencies | 234 |
| inputs | 231 |
| interrupts | 232, 234, 235 |
| example ISR | 235 |
| operation | 235 |
| overview | 231 |
| register descriptions | 236 |
| registers | 233 |

R

| | |
|------------------------------|---|
| Rabbit 2000 | 6 |
| Rabbit 3000 | 6 |
| Rabbit 4000 | 1 |
| block diagram | 4 |
| comparison with other Rabbit | |
| microprocessors | 6 |
| feature summary | 1 |
| features | 1 |
| 10Base-T Ethernet | 3 |
| DMA access | 3 |
| EMI mitigation | 1 |
| input-capture channels | 2 |
| instruction set | 2 |
| memory access | 2 |
| onchip-encryption RAM .. | 3 |
| parallel ports | 2 |

| | |
|-----------------------------|-----|
| Rabbit 4000 | |
| features (continued) | |
| protected operating systems | 3 |
| PWM outputs | 2 |
| quadrature-decoder | |
| channels | 2 |
| timers | 2 |
| revision history | 333 |
| specifications | 5 |
| Rabbit Semiconductor | |
| history | 1 |
| registers | |
| alphabetic listing | |
| ACSxCR | 58 |
| BDCR | 268 |
| BxA0R | 269 |
| BxA1R | 269 |
| BxA2R | 269 |
| BxCR | 268 |
| BxM0R | 270 |
| BxM1R | 270 |
| BxM2R | 270 |
| DATASEG | 54 |
| DATASEGH | 54 |
| DATASEGL | 54 |
| DMALR | 187 |
| DMCR | 188 |
| DMCSR | 187 |
| DMHR | 187 |
| DMR0CR | 190 |
| DMR1CR | 191 |
| DMTCR | 189 |
| DTRCR | 192 |
| DTRDHR | 192 |
| DTRDLR | 192 |
| DxB0R | 188 |
| DxBU0R | 193 |
| DxBU1R | 194 |
| DxDA0R | 199 |
| DxDA1R | 199 |
| DxDA2R | 199 |
| DxIA0R | 194 |
| DxIA1R | 194 |
| DxIA2R | 194 |
| DxL0R | 197 |
| DxL1R | 197 |
| DxLA0R | 200 |
| DxLA1R | 200 |
| DxLA2R | 200 |
| DxSA0R | 198 |
| DxSA1R | 198 |
| DxSA2R | 198 |
| DxSMR | 195 |

| | |
|--------------------------------|----------------------------|
| registers | |
| alphabetic listing (continued) | |
| DxTBR | 193 |
| DxTMR | 193 |
| DyCR | 196 |
| EDMR | 299 |
| GCDDR | 22, 282 |
| GCM0R | 21 |
| GCM1R | 21 |
| GCPU | 39 |
| GCSR | 20, 36, 114, 120, 128, 280 |
| GOCR | 23, 39 |
| GPSCR | 281 |
| GREV | 39 |
| IBUER | 296 |
| ICCR | 226 |
| ICCSR | 225 |
| ICLxR | 228 |
| ICMxR | 229 |
| ICSxR | 228 |
| ICTxR | 227 |
| ICUER | 295 |
| IHCR | 253 |
| IHSR | 254 |
| IHTR | 254 |
| IOxCR | 255 |
| IUER | 297 |
| IxCR | 71 |
| MACR | 57 |
| MBxCR | 55 |
| MECR | 56 |
| MMIDR | 53 |
| MTCR | 56 |
| NAAER | 218 |
| NAC0R | 218 |
| NAC1R | 218 |
| NACDR | 217 |
| NACER | 218 |
| NACR | 24, 214 |
| NACSR | 212 |
| NADR | 210 |
| NALDR | 210 |
| NAMFR | 218 |
| NAMFxR | 217 |
| NAMHR | 217 |
| NAPAxR | 217 |
| NAPCR (network port disabled) | 215 |
| NAPCR (network port enabled) | 215 |
| NARCR | 216 |
| NARR | 213 |
| NARSR | 211 |

| | |
|--------------------------------|----------|
| registers | |
| alphabetic listing (continued) | |
| NASR | 213 |
| NATCR | 216 |
| NATSR | 211 |
| PADR | 75 |
| PAUER | 294 |
| PBDDR | 79 |
| PBDR | 79 |
| PBUER | 294 |
| PCAHR | 85, 258 |
| PCALR | 84, 257 |
| PCDCR | 85 |
| PCDDR | 84 |
| PCDR | 84 |
| PCFR | 85, 258 |
| PCUER | 294 |
| PDAHR | 93, 260 |
| PDALR | 92, 259 |
| PDB0R | 94 |
| PDB1R | 94 |
| PDB2R | 95 |
| PDB3R | 95 |
| PDB4R | 95 |
| PDB5R | 95 |
| PDB6R | 96 |
| PDB7R | 96 |
| PDCR | 93 |
| PDDCR | 94 |
| PDDDR | 94 |
| PDDR | 92 |
| PDFR | 94, 260 |
| PDUER | 295 |
| PEAHR | 103, 262 |
| PEALR | 102, 261 |
| PEB0R | 104 |
| PEB1R | 104 |
| PEB2R | 105 |
| PEB3R | 105 |
| PEB4R | 105 |
| PEB5R | 105 |
| PEB6R | 106 |
| PEB7R | 106 |
| PECR | 103 |
| PEDCR | 104 |
| PEDDR | 104 |
| PEDR | 102 |
| PEFR | 104, 262 |
| PEUER | 295 |
| PWBAR | 245 |
| PWBPR | 245 |
| PWL0R | 244 |
| PWL1R | 244 |
| PWLxR | 245 |

registers

alphabetic listing (continued)

| | |
|-----------------------------|----------|
| PWMxR | 245 |
| PWUER | 296 |
| QDCR | 237 |
| QDCSR | 236 |
| QDCxHR | 237 |
| QDCxR | 237 |
| QDUER | 296 |
| RAMSR | 58 |
| RTCCR | 37 |
| RTCxR | 37 |
| RTUER | 294 |
| SAUER | 298 |
| SBUER | 298 |
| SCUER | 298 |
| SDUER | 298 |
| SEGSIZ | 55 |
| SEUER | 298 |
| SFUER | 299 |
| SPCR . 29, 75, 80, 171, 256 | |
| SPDxR | 170 |
| SPSR | 170 |
| SPUER | 294 |
| STKCR | 62 |
| STKHLR | 63 |
| STKLLR | 62 |
| STKSEG | 53 |
| STKSEGH | 54 |
| STKSEGL | 54 |
| SWDTR | 38 |
| SxAR | 138, 155 |
| SxCR | 158 |
| SxCr | 141 |
| SxDHR | 144, 160 |
| SxDLR | 143, 160 |
| SxDR | 138, 155 |
| SxER (asynch mode) | |
| | 142, 159 |
| SxER (clocked serial mode) | |
| | 143 |
| SxER (HDLC mode) ... | 160 |
| SxLR | 138, 155 |
| SxSR (asynch mode) | |
| | 139, 156 |
| SxSR (clocked serial mode) | |
| | 140 |
| SxSR (HDLC mode) ... | 157 |
| TACR | 113 |
| TACSR | 112 |
| TAPR | 112 |
| TATxR | 113 |
| TAUER | 297 |
| TBCLR | 120 |

registers

alphabetic listing (continued)

| | |
|--------------------------|-----|
| TBCMR | 119 |
| TBCR | 118 |
| TBCSR | 118 |
| TBLxR | 119 |
| TBMxR | 119 |
| TBSLxR | 119 |
| TBSMxR | 119 |
| TBUER | 297 |
| TCBAR | 127 |
| TCBPR | 128 |
| TCCR | 126 |
| TCCSR | 126 |
| TCDHR | 126 |
| TCDLR | 126 |
| TCRxHR | 127 |
| TCRxLR | 127 |
| TCSxHR | 127 |
| TCSxLR | 127 |
| TCUER | 297 |
| VRAM00–VRAM1F ... | 40 |
| WDTCR | 37 |
| WDTTR | 38 |
| WPCR | 59 |
| WPSxHR | 62 |
| WPSxLR | 61 |
| WPSxR | 61 |
| WPxR | 60 |
| bootstrap | 26 |
| breakpoints | 265 |
| Breakpoint x Address 0 | |
| Register | 269 |
| Breakpoint x Address 1 | |
| Register | 269 |
| Breakpoint x Address 2 | |
| Register | 269 |
| Breakpoint x Control | |
| Register | 268 |
| Breakpoint x Mask 0 | |
| Register | 270 |
| Breakpoint x Mask 1 | |
| Register | 270 |
| Breakpoint x Mask 2 | |
| Register | 270 |
| Breakpoint/Debug Control | |
| Register | 268 |
| clocks | 10 |
| Global Clock Double | |
| Register | 22 |
| Global Clock Modulator 0 | |
| Register | 21 |
| Global Clock Modulator 1 | |
| Register | 21 |

registers

clocks (continued)

| | |
|---------------------------|-----|
| Global Control/Status | |
| Register | 20 |
| Global Output Control | |
| Register | 23 |
| Network Port A Control | |
| Register | 24 |
| DMA channels | 176 |
| DMA Master Auto-Load | |
| Register | 187 |
| DMA Master Control | |
| Register | 188 |
| DMA Master Control/Status | |
| Register | 187 |
| DMA Master Halt Register | |
| | 187 |
| DMA Master Request 0 | |
| Control Register | 190 |
| DMA Master Request 1 | |
| Control Register | 191 |
| DMA Master Timing | |
| Control Register | 189 |
| DMA Source Addr[7:0] | |
| Register | 198 |
| DMA Timed Request | |
| Control Register | 192 |
| DMA Timed Request Di- | |
| vider High Register .. | 192 |
| DMA Timed Request Di- | |
| vider Low Register ... | 192 |
| DMA x Buffer Complete | |
| Register | 188 |
| DMA x Buffer Unused[15:8] | |
| Register | 194 |
| DMA x Buffer Unused[7:0] | |
| Register | 193 |
| DMA x Control Register | 196 |
| DMA x Destination | |
| Addr[15:8] Register . | 199 |
| DMA x Destination | |
| Addr[23:16] Register | 199 |
| DMA x Destination | |
| Addr[7:0] Register ... | 199 |
| DMA x Initial Addr[15:8] | |
| Register | 194 |
| DMA x Initial Addr[23:16] | |
| Register | 194 |
| DMA x Initial Addr[7:0] | |
| Register | 194 |
| DMA x Length[15:8] | |
| Register | 197 |
| DMA x Length[7:0] | |
| Register | 197 |

registers

DMA channels (continued)
 DMA x Link Addr[15:8]
 Register200
 DMA x Link Addr[23:16]
 Register200
 DMA x Link Addr[7:0]
 Register200
 DMA x Source Addr[15:8]
 Register198
 DMA x Source Addr[23:16]
 Register198
 DMA x State Machine
 Register195
 DMA x Termination Byte
 Register193
 DMA x Termination Mask
 Register193
 external I/O control250
 I/O Bank x Control Register
255
 I/O Handshake Control
 Register253
 I/O Handshake Select
 Register254
 I/O Handshake Timeout
 Register254
 Parallel Port C Alternate
 High Register258
 Parallel Port C Alternate
 Low Register257
 Parallel Port C Function
 Register258
 Parallel Port D Alternate
 High Register260
 Parallel Port D Alternate
 Low Register259
 Parallel Port D Function
 Register260
 Parallel Port E Alternate
 High Register262
 Parallel Port E Alternate
 Low Register261
 Parallel Port E Function
 Register262
 Slave Port Control Register
256
 external interrupts70
 Interrupt x Control Register
71

registers (continued)

input capture channels221
 Input Capture Control
 Register226
 Input Capture Control/
 Status Register225
 Input Capture LSB x
 Register228
 Input Capture MSB x
 Register229
 Input Capture Source x
 Register228
 Input Capture Trigger x
 Register227
 low-power operation272
 Global Clock Double
 Register282
 Global Control/Status
 Register280
 Global Power Save Control
 Register281
 memory management ..44, 46
 Advanced Chip Select x
 Control Register58
 Data Segment High Register
54
 Data Segment Low Register
54
 Data Segment Register ..54
 Memory Alternate Control
 Register57
 Memory Bank x Control
 Register55
 Memory Timing Control
 Register56
 MMU Expanded Code
 Register56
 MMU Instruction/Data
 Register53
 RAM Segment Register .58
 Segment Size Register ...55
 Stack High Limit Register .
 63
 Stack Limit Control
 Register62
 Stack Low Limit Register ..
 62
 Stack Segment High
 Register54
 Stack Segment Low
 Register54
 Stack Segment Register .53
 Write Protect Segment x
 High Register62

registers

memory management (cont'd)
 Write Protect Segment x
 Low Register61
 Write Protect Segment x
 Register61
 Write Protect x Register 60
 Write Protection Control
 Register59
 Network Port A204
 Network Port A Alignment
 Error Register218
 Network Port A Checksum
 0 Register218
 Network Port A Checksum
 1 Register218
 Network Port A Collision
 Detect Register217
 Network Port A Control
 Register214
 Network Port A Control/
 Status Register212
 Network Port A CRC Error
 Register218
 Network Port A Data
 Register210
 Network Port A Last Data
 Register210
 Network Port A Missed
 Frame Register218
 Network Port A Multicast
 Filter x Register217
 Network Port A Multicast
 Hash Register217
 Network Port A Physical
 Address x Register217
 Network Port A Pin Control
 Register (network port
 disabled)215
 Network Port A Pin Control
 Register (network port
 enabled)215
 Network Port A Receive
 Control Register216
 Network Port A Receive
 Status Register211
 Network Port A Reset Reg-
 ister213
 Network Port A Status Reg-
 ister213
 Network Port A Transmit
 Control Register216
 Network Port A Transmit
 Status Register211

| | |
|-----------------------------|----|
| registers (continued) | |
| Parallel Port A | 73 |
| Parallel Port A Data | |
| Register | 75 |
| Slave Port Control Register | |
| | 75 |
| Parallel Port B | 78 |
| Parallel Port B Data | |
| Direction Register | 79 |
| Parallel Port B Data | |
| Register | 79 |
| Slave Port Control Register | |
| | 80 |
| Parallel Port C | 82 |
| Parallel Port C Alternate | |
| High Register | 85 |
| Parallel Port C Alternate | |
| Low Register | 84 |
| Parallel Port C Data | |
| Direction Register | 84 |
| Parallel Port C Data | |
| Register | 84 |
| Parallel Port C Drive | |
| Control Register | 85 |
| Parallel Port C Function | |
| Register | 85 |
| Parallel Port D | 90 |
| Parallel Port D Alternate | |
| High Register | 93 |
| Parallel Port D Alternate | |
| Low Register | 92 |
| Parallel Port D Bit 0 | |
| Register | 94 |
| Parallel Port D Bit 1 | |
| Register | 94 |
| Parallel Port D Bit 2 | |
| Register | 95 |
| Parallel Port D Bit 3 | |
| Register | 95 |
| Parallel Port D Bit 4 | |
| Register | 95 |
| Parallel Port D Bit 5 | |
| Register | 95 |
| Parallel Port D Bit 6 | |
| Register | 96 |
| Parallel Port D Bit 7 | |
| Register | 96 |
| Parallel Port D Control | |
| Register | 93 |
| Parallel Port D Data | |
| Direction Register | 94 |
| Parallel Port D Data | |
| Register | 92 |

| | |
|-----------------------------|-----|
| registers | |
| Parallel Port D (continued) | |
| Parallel Port D Drive | |
| Control Register | 94 |
| Parallel Port D Function | |
| Register | 94 |
| Parallel Port E | 100 |
| Parallel Port E Alternate | |
| High Register | 103 |
| Parallel Port E Alternate | |
| Low Register | 102 |
| Parallel Port E Bit 0 | |
| Register | 104 |
| Parallel Port E Bit 1 | |
| Register | 104 |
| Parallel Port E Bit 2 | |
| Register | 105 |
| Parallel Port E Bit 3 | |
| Register | 105 |
| Parallel Port E Bit 4 | |
| Register | 105 |
| Parallel Port E Bit 5 | |
| Register | 105 |
| Parallel Port E Bit 6 | |
| Register | 106 |
| Parallel Port E Bit 7 | |
| Register | 106 |
| Parallel Port E Control | |
| Register | 103 |
| Parallel Port E Data | |
| Direction Register | 104 |
| Parallel Port E Data | |
| Register | 102 |
| Parallel Port E Drive | |
| Control Register | 104 |
| Parallel Port E Function | |
| Register | 104 |
| PWM | 241 |
| PWM Block Access | |
| Register | 245 |
| PWM Block Pointer | |
| Register | 245 |
| PWM LSB 0 Register . | 244 |
| PWM LSB 1 Register . | 244 |
| PWM LSB x Register . | 245 |
| PWM MSB x Register | 245 |
| quadrature decoder | 233 |
| Quad Decode Control | |
| Register | 237 |
| Quad Decode Control/ | |
| Status Register | 236 |
| Quad Decode Count High | |
| Register | 237 |
| Quad Decode Count | |
| Register | 237 |

| | |
|-------------------------------|-----|
| registers (continued) | |
| reset | 26 |
| reset/bootstrap | |
| Slave Port Control Register | |
| | 29 |
| Serial Ports A – D | 132 |
| Serial Port x Address | |
| Register | 138 |
| Serial Port x Control | |
| Register | 141 |
| Serial Port x Data | |
| Register | 138 |
| Serial Port x Divider High | |
| Register | 144 |
| Serial Port x Divider Low | |
| Register | 143 |
| Serial Port x Extended Reg- | |
| ister (asynch mode) .. | 142 |
| Serial Port x Extended Reg- | |
| ister (clocked serial mode) | |
| | 143 |
| Serial Port x Long Stop | |
| Register | 138 |
| Serial Port x Status Register | |
| (asynch mode) | 139 |
| Serial Port x Status Register | |
| (clocked serial mode) | 140 |
| Serial Ports E – F | 147 |
| Serial Port x Address | |
| Register | 155 |
| Serial Port x Control | |
| Register | 158 |
| Serial Port x Data | |
| Register | 155 |
| Serial Port x Divider High | |
| Register | 160 |
| Serial Port x Divider Low | |
| Register | 160 |
| Serial Port x Extended Reg- | |
| ister (asynch mode) .. | 159 |
| Serial Port x Extended Reg- | |
| ister (HDLC mode) .. | 160 |
| Serial Port x Long Stop | |
| Register | 155 |
| Serial Port x Status Register | |
| (asynch mode) | 156 |
| Serial Port x Status Register | |
| (HDLC mode) | 157 |
| slave port | 162 |
| Slave Port Control Register | |
| | 171 |
| Slave Port Data x Registers | |
| | 170 |

| | |
|---|-----|
| registers | |
| slave port (continued) | |
| Slave Port Status Register | 170 |
| system management | 32 |
| Battery-Backed Onchip-Encryption RAM | 40 |
| Global Control/Status Register | 36 |
| Global CPU Register | 39 |
| Global Output Control Register | 39 |
| Global Revision Register | 39 |
| Real-Time Clock Control Register | 37 |
| Real-Time Clock x Register | 37 |
| Secondary Watchdog Timer Register | 38 |
| Watchdog Timer Control Register | 37 |
| Watchdog Timer Test Register | 38 |
| System/User mode | 284 |
| Enable Dual-Mode Register | 299 |
| External Interrupt User Enable Register | 297 |
| I/O Bank User Enable Register | 296 |
| Input Capture User Enable Register | 295 |
| Parallel Port A User Enable Register | 294 |
| Parallel Port B User Enable Register | 294 |
| Parallel Port C User Enable Register | 294 |
| Parallel Port D User Enable Register | 295 |
| Parallel Port E User Enable Register | 295 |
| PWM User Enable Register | 296 |
| Quad Decode User Enable Register | 296 |
| Real-Time Clock User Enable Register | 294 |
| Serial Port A User Enable Register | 298 |
| Serial Port B User Enable Register | 298 |
| Serial Port C User Enable Register | 298 |

| | |
|------------------------------------|-----|
| registers | |
| System/User mode (cont'd) | |
| Serial Port D User Enable Register | 298 |
| Serial Port E User Enable Register | 298 |
| Serial Port F User Enable Register | 299 |
| Slave Port User Enable Register | 294 |
| Timer A User Enable Register | 297 |
| Timer B User Enable Register | 297 |
| Timer C User Enable Register | 297 |
| Timer A | 110 |
| Global Control/Status Register | 114 |
| Timer A Control Register | 113 |
| Timer A Control/Status Register | 112 |
| Timer A Prescale Register | 112 |
| Timer A Time Constant x Register | 113 |
| Timer B | 116 |
| Global Control/Status Register | 120 |
| Timer B Control Register | 118 |
| Timer B Control/Status Register | 118 |
| Timer B Count LSB Register | 120 |
| Timer B Count LSB x Register | 119 |
| Timer B Count MSB Register | 119 |
| Timer B Count MSB x Register | 119 |
| Timer B Step LSB x Register | 119 |
| Timer B Step MSB x Register | 119 |
| Timer C | 123 |
| Global Control/Status Register | 128 |
| Timer C Block Access Register | 127 |
| Timer C Block Pointer Register | 128 |

| | |
|---------------------------------|-----|
| registers | |
| Timer C (continued) | |
| Timer C Control Register | 126 |
| Timer C Control/Status Register | 126 |
| Timer C Divider High Register | 126 |
| Timer C Divider Low Register | 126 |
| Timer C Reset x High Register | 127 |
| Timer C Reset x Low Register | 127 |
| Timer C Set x High Register | 127 |
| Timer C Set x Low Register | 127 |
| reset | 25 |
| block diagram | 25 |
| dependencies | 26 |
| operation | 27 |
| register descriptions | 29 |
| registers | 26 |
| SMODE pin settings | 28 |
| revision history | 333 |

S

| | |
|---|----------|
| serial ports | |
| clock synchronization and data encoding | 151 |
| Serial Ports A – D | 129 |
| block diagram | 131 |
| clocks | 134 |
| data clocks | 130 |
| dependencies | 133 |
| interrupts | 134 |
| operation | 135 |
| asynchronous mode | 135 |
| clocked serial mode | 130, 136 |
| overview | 129 |
| pin use | 133 |
| register descriptions | 138 |
| registers | 132 |
| SPI clock modes | 129 |
| SxSR | 129 |
| use of clocked Serial Port C | 133 |
| use of clocked Serial Port D | 133 |

| | | |
|---|---|--|
| serial ports (continued) | specifications (continued) | System/User mode (continued) |
| Serial Ports E – F 145 | clock speeds 314 | overview 283 |
| asynchronous mode 145 | recommended clock/mem- ory configurations 314 | register descriptions 294 |
| block diagram 146 | DC characteristics 301 | registers 284 |
| clocks 148 | LQFP package 321 | use |
| dependencies 148 | dimensions 322 | memory protection 287 |
| HDLC data encoding .. 152 | land pattern 322 | |
| HDLC mode 145 | PC board layout 323 | |
| DPLL counter 152 | pinout 321 | |
| interrupts 149 | pinout 321 | |
| operation 150 | memory access times 304, 311 | |
| asynchronous mode . 150 | external I/O reads 308 | |
| HDLC mode 150 | external I/O writes 309 | |
| overview 145 | memory reads 304 | |
| pin use 148 | memory writes 305 | |
| register descriptions 155 | package 321 | |
| registers 147 | power and current consump- tion 317 | |
| SxSR 145 | battery-backed clock ... 319 | |
| slave port 77, 161 | sleep modes 318 | |
| addresses 161 | spectrum spreader 9, 13 | |
| block diagram 162 | stack protection 52 | |
| bootstrap processor 162 | system management 31 | |
| clocks 163 | block diagram 32 | |
| dependencies 163 | clocks 33 | |
| interrupts 161, 163, 166 | dependencies 33 | |
| example ISR 166 | interrupts 33 | |
| operation 164 | onchip-encryption RAM ... 31 | |
| configurations 167 | operation | |
| connections 165 | periodic interrupt 34 | |
| master 165 | real-time clock 34 | |
| master/slave communica- tion 166 | watchdog timer 35 | |
| slave 165 | other registers 31 | |
| slave/master communica- tion 166 | GCPU register 31 | |
| overview 161 | GOCR register 31 | |
| pin use 163 | GREV register 31 | |
| R/W timing 168 | periodic interrupt 31 | |
| register descriptions 170 | real-time clock 31 | |
| registers 162 | register descriptions 36 | |
| slave attention 161 | registers 32 | |
| timing diagrams 168 | watchdog timers 31 | |
| sleepy clock modes 19 | System/User mode 283 | |
| SMODE pin settings 28 | dependencies 285 | |
| SPCR | differences between System mode and User mode .. 283 | |
| Parallel Port A setup 73 | inaccessible addresses in User mode 285 | |
| specifications 5, 301 | interrupts 286, 292 | |
| AC characteristics 303 | opcodes 290 | |
| BGA package 324 | operation 287 | |
| dimensions 325 | complete operating system 288 | |
| land pattern 325 | enabling 289 | |
| pinout 324 | memory protection 287 | |
| | mixed operation 288 | |
| | | T |
| | | timers |
| | | Timer A 107 |
| | | block diagram 109 |
| | | capabilities 108 |
| | | clocks 110 |
| | | dependencies 110 |
| | | interrupts 108, 111 |
| | | example ISR 111 |
| | | operation 111 |
| | | overview 107 |
| | | register descriptions 112 |
| | | registers 110 |
| | | reload register operation 107 |
| | | Timer B 115 |
| | | block diagram 115 |
| | | clocks 116 |
| | | dependencies 116 |
| | | interrupts 116, 117 |
| | | example ISR 117 |
| | | operation 117 |
| | | overview 115 |
| | | PWM operation 115 |
| | | register descriptions 118 |
| | | registers 116 |
| | | Timer C 121 |
| | | block diagram 122 |
| | | clocks 124 |
| | | dependencies 124 |
| | | DMA control 121 |
| | | interrupts 124, 125 |
| | | example ISR 125 |
| | | operation 125 |
| | | overview 121 |
| | | register descriptions 126 |
| | | registers 123 |
| | | timing diagrams |
| | | I/O R/W cycles 310 |
| | | memory R/W cycles 306 |
| | | memory R/W cycles (early output enable and write enable) 307 |
| | | slave port R/W cycles 168, 169 |

W

| | |
|---|---------|
| watchdog timer | |
| primary watchdog timer | 35 |
| primary/secondary watchdog timer bug | 35, 335 |
| secondary watchdog timer . | 35 |
| settings | 35 |

Компания «Океан Электроники» предлагает заключение долгосрочных отношений при поставках импортных электронных компонентов на взаимовыгодных условиях!

Наши преимущества:

- Поставка оригинальных импортных электронных компонентов напрямую с производств Америки, Европы и Азии, а так же с крупнейших складов мира;
- Широкая линейка поставок активных и пассивных импортных электронных компонентов (более 30 млн. наименований);
- Поставка сложных, дефицитных, либо снятых с производства позиций;
- Оперативные сроки поставки под заказ (от 5 рабочих дней);
- Экспресс доставка в любую точку России;
- Помощь Конструкторского Отдела и консультации квалифицированных инженеров;
- Техническая поддержка проекта, помощь в подборе аналогов, поставка прототипов;
- Поставка электронных компонентов под контролем ВП;
- Система менеджмента качества сертифицирована по Международному стандарту ISO 9001;
- При необходимости вся продукция военного и аэрокосмического назначения проходит испытания и сертификацию в лаборатории (по согласованию с заказчиком);
- Поставка специализированных компонентов военного и аэрокосмического уровня качества (Xilinx, Altera, Analog Devices, Intersil, Interpoint, Microsemi, Actel, Aeroflex, Peregrine, VPT, Syfer, Eurofarad, Texas Instruments, MS Kennedy, Miteq, Cobham, E2V, MA-COM, Hittite, Mini-Circuits, General Dynamics и др.);

Компания «Океан Электроники» является официальным дистрибьютором и эксклюзивным представителем в России одного из крупнейших производителей разъемов военного и аэрокосмического назначения «JONHON», а так же официальным дистрибьютором и эксклюзивным представителем в России производителя высокотехнологичных и надежных решений для передачи СВЧ сигналов «FORSTAR».



JONHON

«JONHON» (основан в 1970 г.)

Разъемы специального, военного и аэрокосмического назначения:

(Применяются в военной, авиационной, аэрокосмической, морской, железнодорожной, горно- и нефтедобывающей отраслях промышленности)

«FORSTAR» (основан в 1998 г.)

ВЧ соединители, коаксиальные кабели,
кабельные сборки и микроволновые компоненты:

(Применяются в телекоммуникациях гражданского и специального назначения, в средствах связи, РЛС, а так же военной, авиационной и аэрокосмической отраслях промышленности).



Телефон: 8 (812) 309-75-97 (многоканальный)

Факс: 8 (812) 320-03-32

Электронная почта: ocean@oceanchips.ru

Web: <http://oceanchips.ru/>

Адрес: 198099, г. Санкт-Петербург, ул. Калинина, д. 2, корп. 4, лит. А