

FEATURES

- 28-/56-bit, 50 MIPS digital audio processor**
- 2 ADCs: SNR of 100 dB, THD + N of -83 dB**
- 4 DACs: SNR of 104 dB, THD + N of -90 dB**
- Complete standalone operation**
 - Self-boot from serial EEPROM**
 - Auxiliary ADC with 4-input mux for analog control**
 - GPIOs for digital controls and outputs**
- Fully programmable with SigmaStudio graphical tool**
- 28-bit × 28-bit multiplier with 56-bit accumulator for full double-precision processing**
- Clock oscillator for generating master clock from crystal**
- PLL for generating master clock from 64 × f_s, 256 × f_s, 384 × f_s, or 512 × f_s clocks**
- Flexible serial data input/output ports with I²S-compatible, left-justified, right-justified, and TDM modes**
- Sampling rates of up to 192 kHz supported**
- On-chip voltage regulator for compatibility with 3.3 V systems**
- 48-lead, plastic LQFP**
- Qualified for automotive applications**

APPLICATIONS

- Multimedia speaker systems**
- MP3 player speaker docks**
- Automotive head units**
- Minicomponent stereos**
- Digital televisions**
- Studio monitors**
- Speaker crossovers**
- Musical instrument effects processors**
- In-seat sound systems (aircraft/motor coaches)**

GENERAL DESCRIPTION

The ADAU1401A is a complete, single-chip audio system with 28-/56-bit audio DSP, ADCs, DACs, and microcontroller-like control interfaces. Signal processing includes equalization, crossover, bass enhancement, multiband dynamics processing, delay compensation, speaker compensation, and stereo image widening. This processing can be used to compensate for real-world limitations of speakers, amplifiers, and listening environments, providing dramatic improvements in perceived audio quality.

The signal processing of the ADAU1401A is comparable to that found in high end studio equipment. Most processing is done in full 56-bit, double-precision mode, resulting in very good low level signal performance. The ADAU1401A is a fully programmable DSP. The easy to use SigmaStudio™ software allows the user to graphically configure a custom signal processing flow using blocks such as biquad filters, dynamics processors, level controls, and GPIO interface controls.

The ADAU1401A programs can be loaded on power-up either from a serial EEPROM through its own self-boot mechanism or from an external microcontroller. On power-down, the current state of the parameters can be written back to the EEPROM from the ADAU1401A to be recalled the next time the program is run.

Two Σ - Δ ADCs and four Σ - Δ DACs provide a 98.5 dB analog input to analog output dynamic. Each ADC has a THD + N of -83 dB, and each DAC has a THD + N of -90 dB. Digital input and output ports allow a glueless connection to additional ADCs and DACs. The ADAU1401A communicates through an I²C® bus or a 4-wire SPI port.

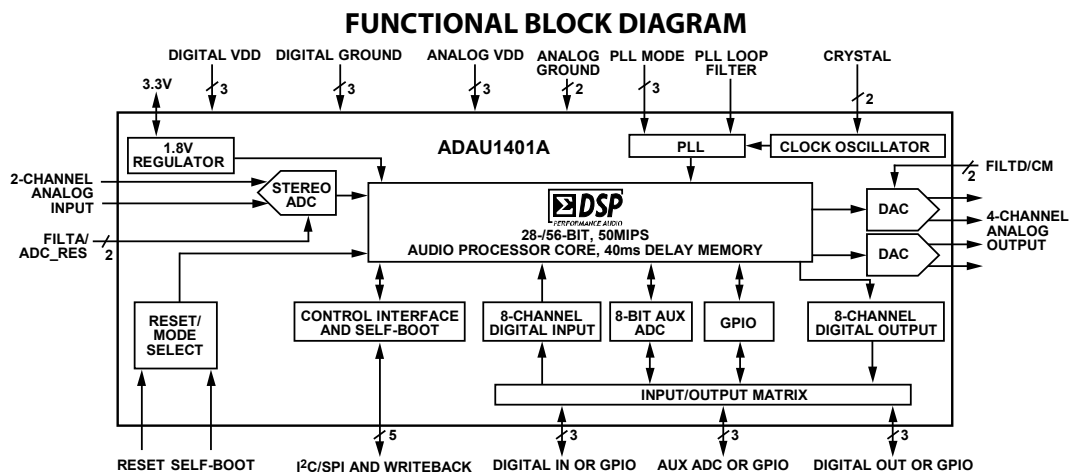


Figure 1.

Rev. A

Information furnished by Analog Devices is believed to be accurate and reliable. However, no responsibility is assumed by Analog Devices for its use, nor for any infringements of patents or other rights of third parties that may result from its use. Specifications subject to change without notice. No license is granted by implication or otherwise under any patent or patent rights of Analog Devices. Trademarks and registered trademarks are the property of their respective owners.

TABLE OF CONTENTS

Features	1	Address Maps.....	30
Applications.....	1	Parameter RAM.....	30
General Description.....	1	Data RAM	30
Functional Block Diagram	1	Read/Write Data Formats	30
Revision History	3	Control Register Map.....	32
Specifications.....	4	Control Register Details	34
Analog Performance	4	Address 2048 to Address 2055 (0x0800 to 0x0807)—Interface Registers.....	34
Digital Input/Output.....	5	Address 2056 (0x0808)—GPIO Pin Setting Register	35
Power.....	6	Address 2057 to Address 2060 (0x0809 to 0x080C)—Auxiliary ADC Data Registers.....	36
Temperature Range	6	Address 2064 to Address 2068 (0x0810 to 0x0814)—Safeload Data Registers	37
PLL and Oscillator.....	6	Address 2069 to Address 2073 (0x0815 to 0x0819)—Safeload Address Registers	37
Regulator.....	6	Address 2074 and Address 2075 (0x081A and 0x081B)—Data Capture Registers.....	38
Digital Timing Specifications	7	Address 2076 (0x081C)—DSP Core Control Register	39
Absolute Maximum Ratings.....	10	Address 2078 (0x081E)—Serial Output Control Register	40
Thermal Resistance	10	Address 2079 (0x081F)—Serial Input Control Register	41
ESD Caution.....	10	Address 2080 and Address 2081 (0x0820 and 0x0821)—Multipurpose Pin Configuration Registers.....	42
Pin Configuration and Function Descriptions.....	11	Address 2082 (0x0822)—Auxiliary ADC and Power Control Register	43
Typical Performance Characteristics	14	Address 2084 (0x0824)—Auxiliary ADC Enable Register ...	43
System Block Diagram	15	Address 2086 (0x0826)—Oscillator Power-Down Register .	43
Theory of Operation	16	Address 2087 (0x0827)—DAC Setup Register	43
Initialization	17	Multipurpose Pins	44
Power-Up Sequence	17	Auxiliary ADC.....	44
Control Registers Setup	17	General-Purpose Input/Output Pins.....	44
Recommended Program/Parameter Loading Procedure	17	Serial Data Input/Output Ports	44
Power Reduction Modes.....	17	Layout Recommendations.....	47
Using the Oscillator.....	18	Parts Placement	47
Setting Master Clock/PLL Mode.....	18	Grounding.....	47
Voltage Regulator	19	Typical Application Schematics.....	48
Audio ADCs	20	Self-Boot Mode.....	48
Audio DACs	21	I ² C Control	49
Control Ports.....	22	SPI Control.....	50
I ² C Port	23	Outline Dimensions	51
SPI Port	26	Ordering Guide	51
Self-Boot	27		
Signal Processing	29		
Numeric Formats.....	29		
Programming	29		
RAMs and Registers	30		

REVISION HISTORY

11/10—Rev. 0 to Rev. A

Changes to Figure 7 and Table 1111
Changes to Figure 3748
Changes to Figure 3849
Changes to Figure 3950

4/10—Revision 0: Initial Version

ADAU1401A

SPECIFICATIONS

AVDD = 3.3 V, DVDD = 1.8 V, PVDD = 3.3 V, IOVDD = 3.3 V, master clock input = 12.288 MHz, unless otherwise noted.

ANALOG PERFORMANCE

Specifications are guaranteed at 25°C (ambient).

Table 1.

Parameter	Min	Typ	Max	Unit	Test Conditions/Comments
ADC INPUTS					
Number of Channels		2			Stereo input
Resolution		24		Bits	
Full-Scale Input		100 (283)		μA rms (μA p-p)	2 V rms input with 20 kΩ (18 kΩ external + 2 kΩ internal) series resistor
Signal-to-Noise Ratio					
A-Weighted		100		dB	
Dynamic Range					–60 dB with respect to full-scale analog input
A-Weighted	95	100		dB	
Total Harmonic Distortion + Noise		–83		dB	–3 dB with respect to full-scale analog input
Interchannel Gain Mismatch		25	300	mdB	
Crosstalk		–82		dB	Analog channel-to-channel crosstalk
DC Bias	1.4	1.5	1.6	V	
Gain Error	–11		+11	%	
DAC OUTPUTS					
Number of Channels		4			Two stereo output channels
Resolution		24		Bits	
Full-Scale Analog Output		0.9 (2.5)		V rms (V p-p)	Sine wave
Signal-to-Noise Ratio					
A-Weighted		104		dB	
Dynamic Range					–60 dB with respect to full-scale analog output
A-Weighted	99	104		dB	
Total Harmonic Distortion + Noise		–90		dB	–1 dB with respect to full-scale analog output
Crosstalk		–100		dB	Analog channel-to-channel crosstalk
Interchannel Gain Mismatch		25	250	mdB	
Gain Error	–10		+10	%	
DC Bias	1.4	1.5	1.6	V	
VOLTAGE REFERENCE					
Absolute Voltage, CM Pin	1.4	1.5	1.6	V	
AUXILIARY ADC					
Full-Scale Analog Input	2.8	2.95	3.1	V	
INL		0.5		LSB	
DNL		0.5		LSB	
Offset		15		mV	
Input Impedance	17.8	30	42	kΩ	

Specifications are guaranteed at 130°C (ambient).

Table 2.

Parameter	Min	Typ	Max	Unit	Test Conditions/Comments
ADC INPUTS					
Number of Channels		2			Stereo input
Resolution		24		Bits	
Full-Scale Input		100 (283)		μA rms (μA p-p)	2 V rms input with 20 kΩ (18 kΩ external + 2 kΩ internal) series resistor

Parameter	Min	Typ	Max	Unit	Test Conditions/Comments
Signal-to-Noise Ratio A-Weighted		100		dB	–60 dB with respect to full-scale analog input –3 dB with respect to full-scale analog input Analog channel-to-channel crosstalk
Dynamic Range A-Weighted	92	100		dB	
Total Harmonic Distortion + Noise		–83		dB	
Interchannel Gain Mismatch		25	250	mdB	
Crosstalk		–82		dB	
DC Bias	1.4	1.5	1.6	V	
Gain Error	–11		+11	%	
DAC OUTPUTS					
Number of Channels		4			Two stereo output channels
Resolution		24		Bits	Sine wave –60 dB with respect to full-scale analog output –1 dB with respect to full-scale analog output Analog channel-to-channel crosstalk
Full-Scale Analog Output		0.85 (2.4)		V rms (V p-p)	
Signal-to-Noise Ratio A-Weighted		104		dB	
Dynamic Range A-Weighted	98	104		dB	
Total Harmonic Distortion + Noise		–90		dB	
Crosstalk		–100		dB	
Interchannel Gain Mismatch		25	250	mdB	
Gain Error	–10		+10	%	
DC Bias	1.4	1.5	1.6	V	
VOLTAGE REFERENCE					
Absolute Voltage, CM Pin	1.4	1.5	1.6	V	
AUXILIARY ADC					
Full-Scale Analog Input	2.8	2.95	3.1	V	
INL		0.5		LSB	
DNL		0.5		LSB	
Offset		15		mV	
Input Impedance	17.8	30	42	k Ω	

DIGITAL INPUT/OUTPUT

Table 3.

Parameter	Min	Typ	Max ¹	Unit	Test Conditions/Comments
Input Voltage, High (V _{IH})	2.0		IOVDD	V	Excluding MCLKI Excluding MCLKI and bidirectional pins
Input Voltage, Low (V _{IL})			0.8	V	
Input Leakage, High (I _{IH})			1	μ A	
Input Leakage, Low (I _{IL})			1	μ A	
Bidirectional Pin Pull-Up Current, Low			150	μ A	
MCLKI Input Leakage, High (I _{IH})			3	μ A	
MCLKI Input Leakage, Low (I _{IL})			3	μ A	
Output Voltage, High (V _{OH})	2.0			V	
Output Voltage, Low (V _{OL})			0.8	V	
Input Capacitance			5	pF	
GPIO Output Drive		2		mA	

¹ Maximum specifications are measured across a temperature range of –40°C to +130°C (case), a DVDD range of 1.62 V to 1.98 V, and an AVDD range of 2.97 V to 3.63 V.

ADAU1401A

POWER

Table 4.

Parameter	Min	Typ	Max ¹	Unit
SUPPLY VOLTAGE				
Analog Voltage		3.3		V
Digital Voltage		1.8		V
PLL Voltage		3.3		V
IOVDD Voltage		3.3		V
SUPPLY CURRENT				
Analog Current (AVDD and PVDD)		50	85	mA
Digital Current (DVDD)		25	40	mA
Analog Current, Reset		35	55	mA
Digital Current, Reset		1.5	4.5	mA
DISSIPATION				
Operation (AVDD, DVDD, PVDD) ²		259.5		mW
Reset, All Supplies		118		mW
POWER SUPPLY REJECTION RATIO (PSRR)				
1 kHz, 200 mV p-p Signal at AVDD		50		dB

¹ Maximum specifications are measured across a temperature range of -40°C to +130°C (case), a DVDD range of 1.62 V to 1.98 V, and an AVDD range of 2.97 V to 3.63 V.

² Power dissipation does not include IOVDD power because the current drawn from this supply is dependent on the loads at the digital output pins.

TEMPERATURE RANGE

Table 5.

Parameter	Min	Typ	Max	Unit
Functionality Guaranteed	-40		+105	°C ambient

PLL AND OSCILLATOR

Table 6.

Parameter ¹	Min	Typ	Max	Unit
PLL Operating Range	MCLK_Nom - 20%		MCLK_Nom + 20%	MHz
PLL Lock Time			20	ms
Crystal Oscillator Transconductance (g _m)		78		mmho

¹ Maximum specifications are measured across a temperature range of -40°C to +130°C (case), a DVDD range of 1.62 V to 1.98 V, and an AVDD range of 2.97 V to 3.63 V.

REGULATOR

Table 7.

Parameter ¹	Min	Typ	Max	Unit
DVDD Voltage	1.7	1.8	1.84	V

¹ Regulator specifications are calculated using a Zetex Semiconductors FZT953 transistor in the circuit.

DIGITAL TIMING SPECIFICATIONS

Table 8.

Parameter ¹	Limit		Unit	Description
	t _{MIN}	t _{MAX}		
MASTER CLOCK				
t _{MP}	36	244	ns	MCLKI period, 512 × f _S mode.
t _{MP}	48	366	ns	MCLKI period, 384 × f _S mode.
t _{MP}	73	488	ns	MCLKI period, 256 × f _S mode.
t _{MP}	291	1953	ns	MCLKI period, 64 × f _S mode.
SERIAL PORT				
t _{BIL}	40		ns	INPUT_BCLK low pulse width.
t _{BIH}	40		ns	INPUT_BCLK high pulse width.
t _{LIS}	10		ns	INPUT_LRCLK setup; time to INPUT_BCLK rising.
t _{LIH}	10		ns	INPUT_LRCLK hold; time from INPUT_BCLK rising.
t _{SIS}	10		ns	SDATA_INx setup; time to INPUT_BCLK rising.
t _{SIH}	10		ns	SDATA_INx hold; time from INPUT_BCLK rising.
t _{LOS}	10		ns	OUTPUT_LRCLK setup in slave mode.
t _{LOH}	10		ns	OUTPUT_LRCLK hold in slave mode.
t _{TS}		5	ns	OUTPUT_BCLK falling to OUTPUT_LRCLK timing skew.
t _{SODS}		40	ns	SDATA_OUTx delay in slave mode; time from OUTPUT_BCLK falling.
t _{SODM}		40	ns	SDATA_OUTx delay in master mode; time from OUTPUT_BCLK falling.
SPI PORT				
f _{CCLK}		6.25	MHz	CCLK frequency.
t _{CCPL}	80		ns	CCLK pulse width low.
t _{CCPH}	80		ns	CCLK pulse width high.
t _{CLS}	0		ns	CLATCH setup; time to CCLK rising.
t _{CLH}	100		ns	CLATCH hold; time from CCLK rising.
t _{CLPH}	80		ns	CLATCH pulse width high.
t _{CDS}	0		ns	CDATA setup; time to CCLK rising.
t _{CDH}	80		ns	CDATA hold; time from CCLK rising.
t _{COD}		101	ns	COUT delay; time from CCLK falling.
I²C PORT				
f _{SCL}		400	kHz	SCL frequency.
t _{SCLH}	0.6		μs	SCL high.
t _{SCLL}	1.3		μs	SCL low.
t _{SCS}	0.6		μs	SCL setup time, relevant for repeated start condition.
t _{SCH}	0.6		μs	SCL hold time. After this period, the first clock is generated.
t _{DS}	100		ns	Data setup time.
t _{SCR}		300	ns	SCL rise time.
t _{SCF}		300	ns	SCL fall time.
t _{SDR}		300	ns	SDA rise time.
t _{SDF}		300	ns	SDA fall time.
t _{BFT}	0.6			Bus-free time; time between stop and start.
MULTIPURPOSE PINS AND RESET				
t _{GRT}		50	ns	GPIO rise time.
t _{GFT}		50	ns	GPIO fall time.
t _{GIL}		1.5 × 1/f _S	μs	GPIO input latency; time until high/low value is read by core.
t _{RLPW}	20		ns	RESET low pulse width.

¹ All timing specifications are given for the default (I²S) states of the serial input port and the serial output port (see Table 66).

Digital Timing Diagrams

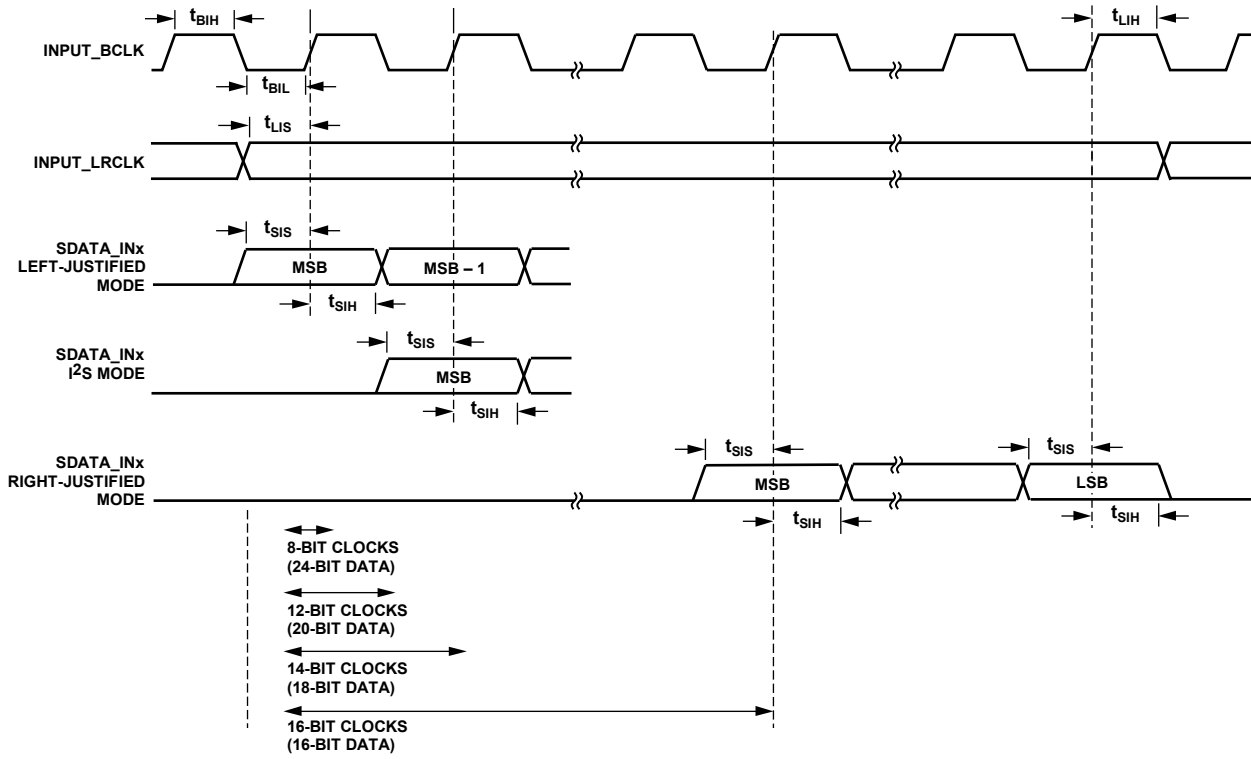


Figure 2. Serial Input Port Timing

08506-002

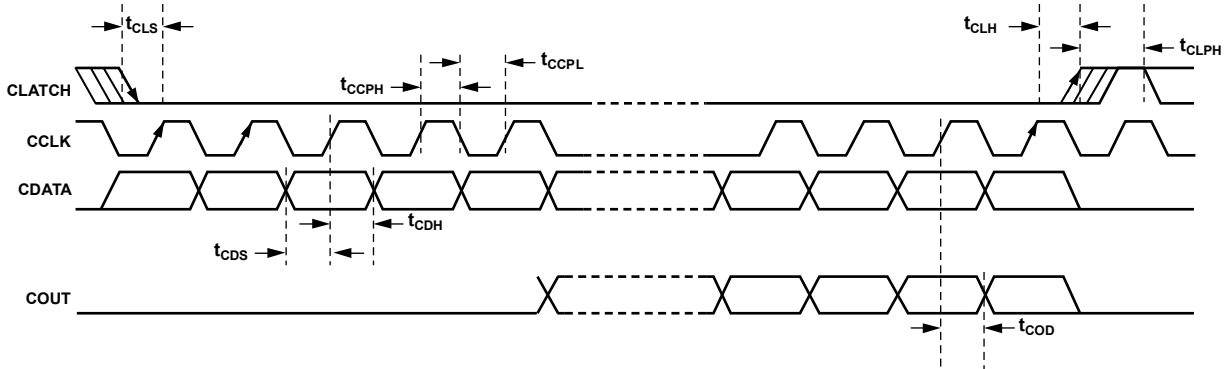


Figure 3. SPI Port Timing

08506-004

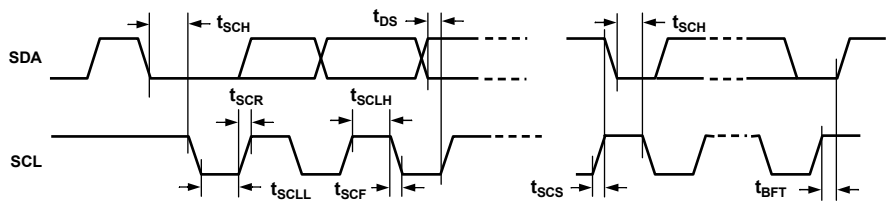


Figure 4. I²C Port Timing

08506-005

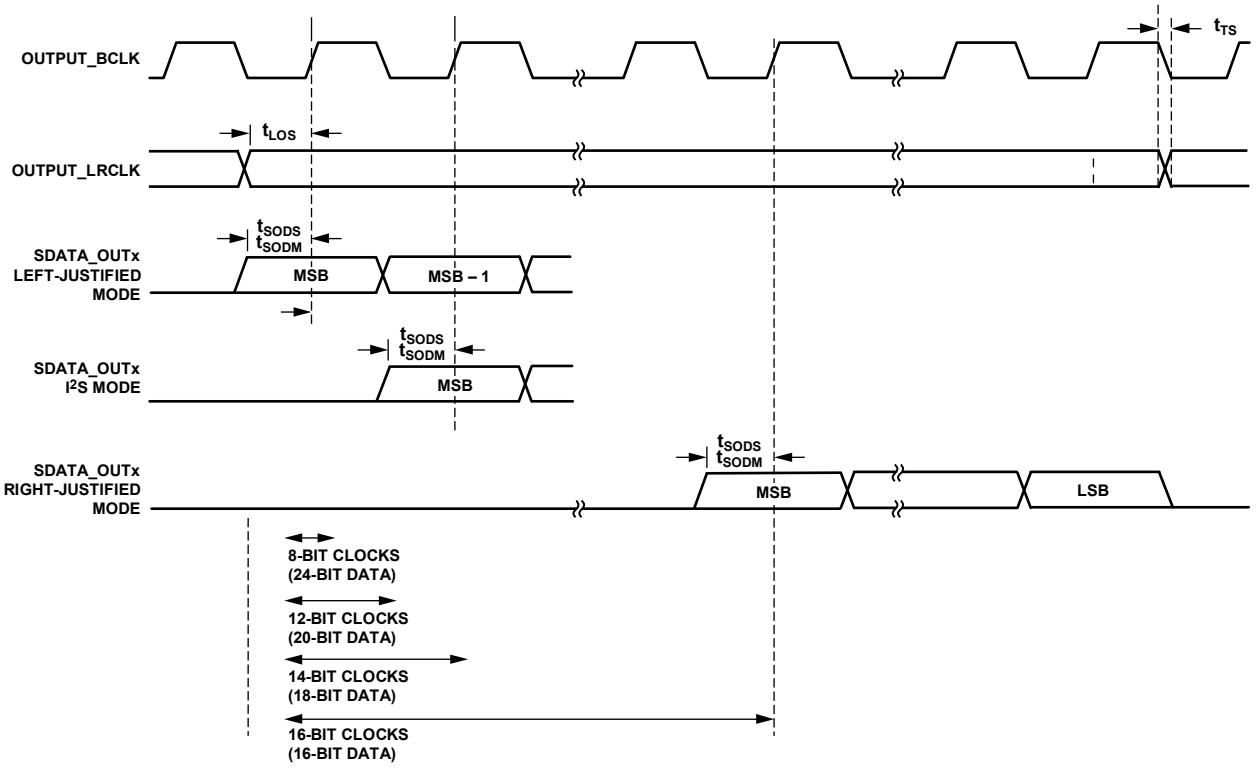


Figure 5. Serial Output Port Timing

085506-003

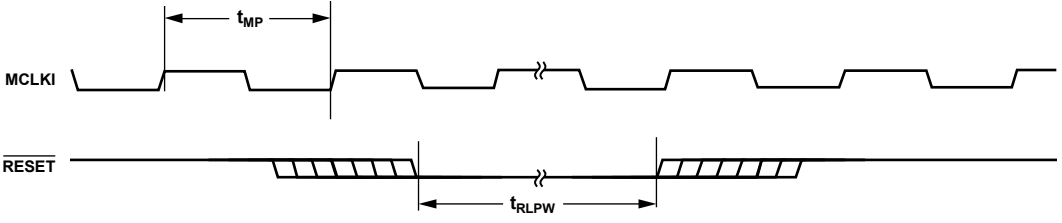


Figure 6. Master Clock and \overline{RESET} Timing

085506-006

ABSOLUTE MAXIMUM RATINGS

Table 9.

Parameter	Rating
DVDD to Ground	0 V to 2.2 V
AVDD to Ground	0 V to 4.0 V
IOVDD to Ground	0 V to 4.0 V
Digital Inputs	DGND – 0.3 V, IOVDD + 0.3 V
Maximum Junction Temperature	135°C
Storage Temperature Range	–65°C to +150°C
Soldering (10 sec)	300°C

Stresses above those listed under Absolute Maximum Ratings may cause permanent damage to the device. This is a stress rating only; functional operation of the device at these or any other conditions above those indicated in the operational section of this specification is not implied. Exposure to absolute maximum rating conditions for extended periods may affect device reliability.

THERMAL RESISTANCE

θ_{JA} is specified for the worst-case conditions, that is, a device soldered in a circuit board for surface-mount packages.

Table 10. Thermal Resistance

Package Type	θ_{JA}	θ_{JC}	Unit
48-Lead LQFP	72	19.5	°C/W

ESD CAUTION



ESD (electrostatic discharge) sensitive device. Charged devices and circuit boards can discharge without detection. Although this product features patented or proprietary protection circuitry, damage may occur on devices subjected to high energy ESD. Therefore, proper ESD precautions should be taken to avoid performance degradation or loss of functionality.

PIN CONFIGURATION AND FUNCTION DESCRIPTIONS

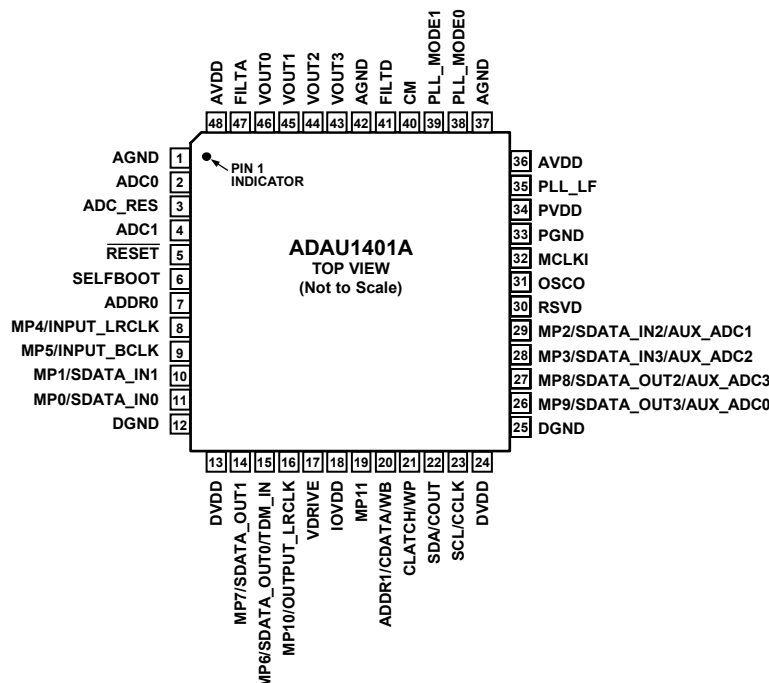


Figure 7. 48-Lead LQFP Pin Configuration

Table 11. Pin Function Descriptions

Pin No.	Mnemonic	Type ¹	Description
1, 37, 42	AGND	PWR	Analog Ground Pin. The AGND, DGND, and PGND pins can be tied directly together in a common ground plane. AGND should be decoupled to an AVDD pin with a 100 nF capacitor.
2	ADC0	A_IN	Analog Audio Input 0. Full-scale 100 μ A rms input. The current input allows the input voltage level to be scaled with an external resistor. An 18 k Ω resistor results in a 2 V rms full-scale input. See the Audio ADCS section for details.
3	ADC_RES	A_IN	ADC Reference Current. The full-scale current of the ADCs can be set with an external 18 k Ω resistor connected between this pin and ground. See the Audio ADCS section for details.
4	ADC1	A_IN	Analog Audio Input 1. Full-scale 100 μ A rms input. The current input allows the input voltage level to be scaled with an external resistor. An 18 k Ω resistor results in a 2 V rms full-scale input.
5	$\overline{\text{RESET}}$	D_IN	Active Low Reset Input. Reset is triggered on a high-to-low edge, and the ADAU1401A exits reset on a low-to-high edge. For more information about initialization, see the Power-Up Sequence section for details.
6	SELFBOOT	D_IN	Enable/Disable Self-Boot. SELFBOOT selects control port (low) or self-boot (high). Setting this pin high initiates a self-boot operation when the ADAU1401A is brought out of a reset. This pin can be tied directly to the control voltage or pulled up/down with a resistor. See the Self-Boot section.
7	ADDR0	D_IN	I ² C and SPI Address 0. In combination with ADDR1, this pin allows up to four ADAU1401A devices to be used on the same I ² C bus or up to two ICs to be used with a common SPI CLATCH signal. See the I ² C Port section for details.
8	MP4/INPUT_LRCLK	D_IO	Multipurpose GPIO/Serial Input Port LRCLK. See the Multipurpose Pins section for more details.
9	MP5/INPUT_BCLK	D_IO	Multipurpose GPIO/Serial Input Port BCLK. See the Multipurpose Pins section for more details.
10	MP1/SDATA_IN1	D_IO	Multipurpose GPIO/Serial Input Port Data 1. See the Multipurpose Pins section for more details.
11	MP0/SDATA_IN0	D_IO	Multipurpose GPIO/Serial Input Port Data 0. See the Multipurpose Pins section for more details.
12, 25	DGND	PWR	Digital Ground Pin. The AGND, DGND, and PGND pins can be tied directly together in a common ground plane. DGND should be decoupled to a DVDD pin with a 100 nF capacitor.
13, 24	DVDD	PWR	1.8 V Digital Supply. The input for this pin can be supplied either externally or generated

ADAU1401A

Pin No.	Mnemonic	Type ¹	Description
14	MP7/SDATA_OUT1	D_IO	from a 3.3 V supply with the on-board 1.8 V regulator. DVDD should be decoupled to DGND with a 100 nF capacitor. Multipurpose GPIO/Serial Output Port Data 1. See the Multipurpose Pins section for more details.
15	MP6/SDATA_OUT0/ TDM_IN	D_IO	Multipurpose GPIO/Serial Output Port Data 0/TDM Data Input. See the Multipurpose Pins section for more details.
16	MP10/OUTPUT_LRCLK	D_IO	Multipurpose GPIO/Serial Output Port LRCLK. See the Multipurpose Pins section for more details.
17	VDRIVE	A_OUT	Drive for 1.8 V Regulator. The base of the voltage regulator external PNP transistor is driven from VDRIVE. See the Voltage Regulator section for details.
18	IOVDD	PWR	Supply for Input and Output Pins. The voltage on this pin sets the highest input voltage that should be seen on the digital input pins. This pin is also the supply for the digital output signals on the control port and MPx pins. IOVDD should always be set to 3.3 V. The current draw of this pin is variable because it is dependent on the loads of the digital outputs.
19	MP11	D_IO	Multipurpose GPIO or Serial Output Port BCLK (OUTPUT_BCLK). See the Multipurpose Pins section for more details.
20	ADDR1/CDATA/WB	D_IN	I ² C Address 1/SPI Data Input/EEPROM Writeback Trigger. ADDR1 in combination with ADDR0 sets the I ² C address of the IC so that four ADAU1401A devices can be used on the same I ² C bus (see the I ² C Port section for details). For more information about the CDATA function of this pin, see the SPI Port section. A rising (default) or falling (if set by EEPROM messages) edge on the WB pin triggers a writeback of the interface registers to the external EEPROM. This function can be used to save parameter data on power-down (see the Self-Boot section for details).
21	CLATCH/WP	D_IO	SPI Latch Signal/Self-Boot EEPROM Write Protect. CLATCH must go low at the beginning of an SPI transaction and high at the end of a transaction. Each SPI transaction can take a different number of cycles on the CCLK pin to complete, depending on the address and read/write bit that are sent at the beginning of the SPI transaction (see the SPI Port section for details). The WP pin is an open-collector output when the device is in self-boot mode. The ADAU1401A pulls WP low to enable writes to an external EEPROM. This pin should be pulled high to 3.3 V (see the Self-Boot section for details).
22	SDA/COUT	D_IO	I ² C Data/SPI Data Output. SDA is a bidirectional open collector. The line connected to SDA should have a 2.2 k Ω pull-up resistor (see the I ² C Port section for details). COUT is used for reading back registers and memory locations. It is three-stated when an SPI read is not active (see the SPI Port section for details).
23	SCL/CCLK	D_IO	I ² C Clock/SPI Clock. SCL is always an open-collector input when in I ² C control mode. In self-boot mode, SCL is an open-collector output (I ² C master). The line connected to SCL should have a 2.2 k Ω pull-up resistor (see the I ² C Port section for details). CCLK can either run continuously or be gated off between SPI transactions (see the SPI Port section for details).
26	MP9/SDATA_OUT3/ AUX_ADC0	D_IO/A_IO	Multipurpose GPIO/Serial Output Port Data 3/Auxiliary ADC Input 0. See the Multipurpose Pins section for more details.
27	MP8/SDATA_OUT2/ AUX_ADC3	D_IO/A_IO	Multipurpose GPIO/Serial Output Port Data 2/Auxiliary ADC Input 3. See the Multipurpose Pins section for more details.
28	MP3/SDATA_IN3/ AUX_ADC2	D_IO/A_IO	Multipurpose GPIO/Serial Input Port Data 3/Auxiliary ADC Input 2. See the Multipurpose Pins section for more details.
29	MP2/SDATA_IN2/ AUX_ADC1	D_IO/A_IO	Multipurpose GPIO/Serial Input Port Data 2/Auxiliary ADC Input 1. See the Multipurpose Pins section for more details.
30	RSVD		Reserved. Tie this pin to ground, either directly or through a pull-down resistor.
31	OSCO	D_OUT	Crystal Oscillator Circuit Output. A 100 Ω damping resistor should be connected between this pin and the crystal. This output should not be used to directly drive a clock to another IC. If the crystal oscillator is not used, this pin can be left unconnected. See the Using the Oscillator section for details.
32	MCLKI	D_IN	Master Clock Input. This pin can either be connected to a 3.3 V clock signal or be the input from the crystal oscillator circuit. See the Setting Master Clock/PLL Mode section for details.
33	PGND	PWR	PLL Ground Pin. The AGND, DGND, and PGND pins can be tied directly together in a common ground plane. PGND should be decoupled to PVDD with a 100 nF capacitor.
34	PVDD	PWR	3.3 V Power Supply for the PLL and the Auxiliary ADC Analog Section. This pin should be decoupled to PGND with a 100 nF capacitor.
35	PLL_LF	A_OUT	PLL Loop Filter Connection. Two capacitors and a resistor must be connected to this pin, as shown in Figure 15. See the Setting Master Clock/PLL Mode section for more details.
36, 48	AVDD	PWR	3.3 V Analog Supply. This pin should be decoupled to AGND with a 100 nF capacitor.

Pin No.	Mnemonic	Type ¹	Description
38, 39	PLL_MODE0, PLL_MODE1	D_IN	PLL Mode Setting. These pins set the output frequency of the master clock PLL. See the Setting Master Clock/PLL Mode section for more details.
40	CM	A_OUT	1.5 V Common-Mode Reference. A 47 μ F decoupling capacitor should be connected between this pin and ground to reduce crosstalk between the ADCs and DACs. The material of the capacitors is not critical. This pin can be used to bias external analog circuits, as long as those circuits are not drawing current from the pin (such as when the CM pin is connected to the noninverting input of an op amp).
41	FILTD	A_OUT	DAC Filter Decoupling Pin. A 10 μ F capacitor should be connected between this pin and ground. The capacitor material is not critical. The voltage on this pin is 1.5 V.
43	VOUT3	A_OUT	VOUT3 DAC Output. The full-scale output voltage is 0.9 V rms. This output can be used with an active or passive output reconstruction filter. See the Audio DACS section for details.
44	VOUT2	A_OUT	VOUT2 DAC Output. The full-scale output voltage is 0.9 V rms. This output can be used with an active or passive output reconstruction filter. See the Audio DACS section for details.
45	VOUT1	A_OUT	VOUT1 DAC Output. The full-scale output voltage is 0.9 V rms. This output can be used with an active or passive output reconstruction filter. See the Audio DACS section for details.
46	VOUT0	A_OUT	VOUT0 DAC Output. The full-scale output voltage is 0.9 V rms. This output can be used with an active or passive output reconstruction filter. See the Audio DACS section for details.
47	FILTA	A_OUT	ADC Filter Decoupling Pin. A 10 μ F capacitor should be connected between this pin and ground. The capacitor material is not critical. The voltage on this pin is 1.5 V.

¹ PWR = power/ground, A_IN = analog input, D_IN = digital input, A_OUT = analog output, D_IO = digital input/output, D_IO/A_IO = digital input/output or analog input/output.

TYPICAL PERFORMANCE CHARACTERISTICS

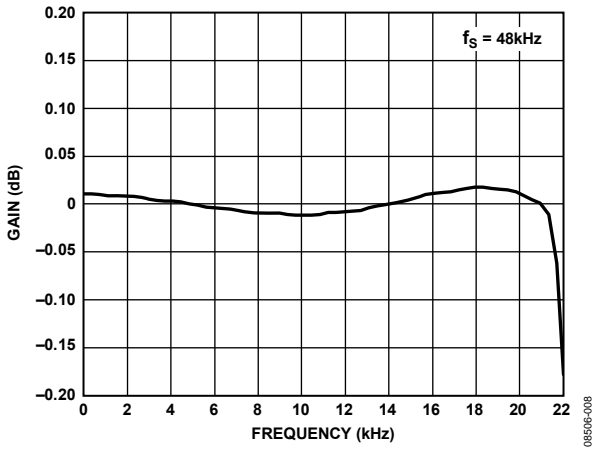


Figure 8. ADC Pass-Band Filter Response

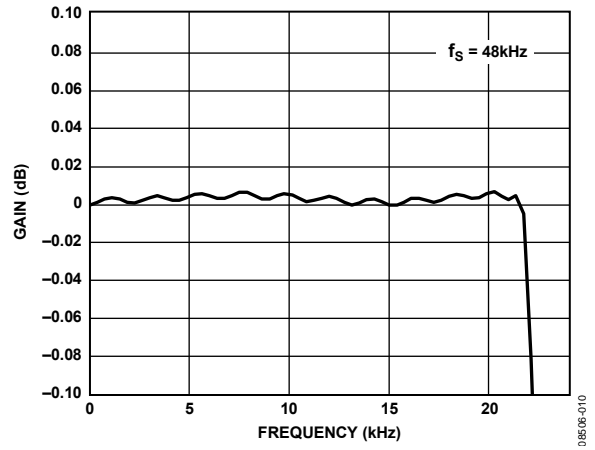


Figure 10. DAC Pass-Band Filter Response

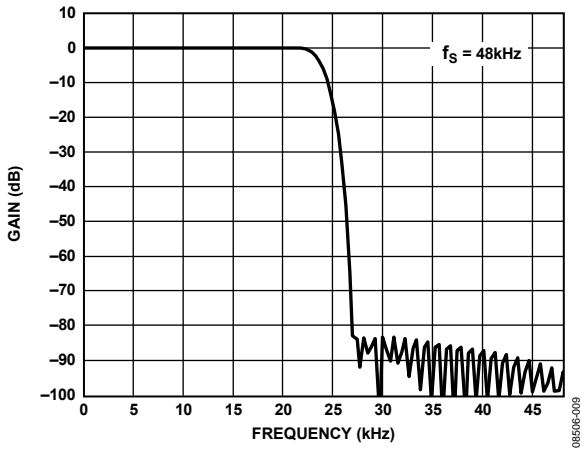


Figure 9. ADC Stop-Band Filter Response

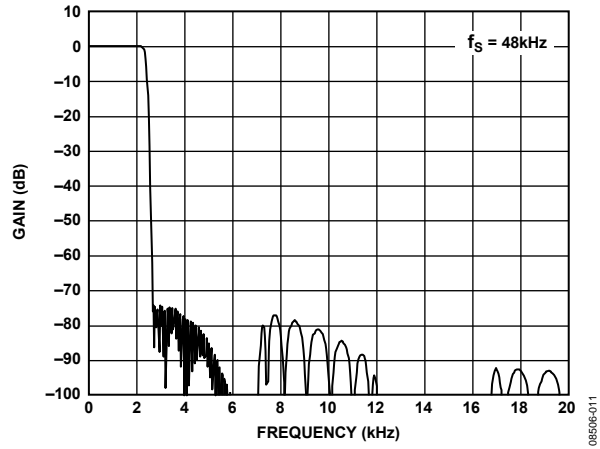


Figure 11. DAC Stop-Band Filter Response

SYSTEM BLOCK DIAGRAM

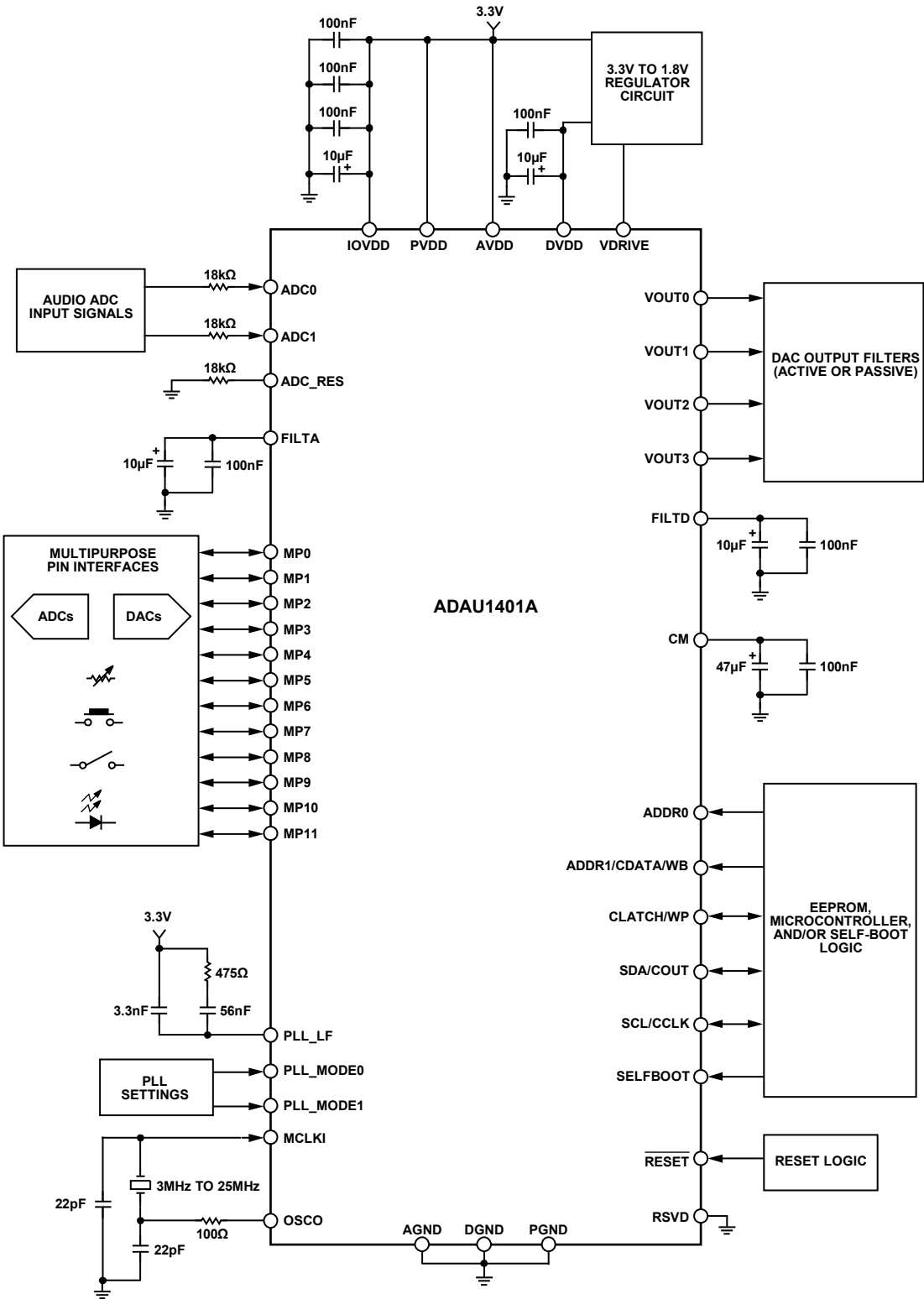


Figure 12. System Block Diagram

08506-012

THEORY OF OPERATION

The core of the ADAU1401A is a 28-bit DSP (56-bit with double-precision processing) optimized for audio processing. The program and parameter RAMs can be loaded with a custom audio processing signal flow built using the SigmaStudio graphical programming software from Analog Devices, Inc. The values stored in the parameter RAM control individual signal processing blocks, such as equalization filters, dynamics processors, audio delays, and mixer levels. A safeload feature allows transparent parameter updates and prevents clicks in the output signals.

The program RAM, parameter RAM, and register contents can be saved in an external EEPROM, from which the ADAU1401A can self-boot on startup. In this standalone mode, parameters can be controlled through the on-board multipurpose pins. The ADAU1401A can accept controls from switches, potentiometers, rotary encoders, and IR receivers. Parameters such as volume and tone settings can be saved to the EEPROM on power-down and recalled again on power-up.

The ADAU1401A can operate with digital or analog inputs and outputs, or a mix of both. The stereo ADC and four DACs each have an SNR of at least +100 dB and a THD + N of at least -83 dB. The 8-channel, flexible serial data input/output ports allow glueless interconnection to a variety of ADCs, DACs, general-purpose DSPs, S/PDIF receivers and transmitters, and sample rate converters. The serial ports of the ADAU1401A can be configured in I²S, left-justified, right-justified, or TDM serial port compatible modes.

Twelve multipurpose pins (MP0 to MP11) allow the ADAU1401A to receive external control signals as input and to output flags or controls to other devices in the system. The MPx pins can be configured as digital I/Os, inputs to the 4-channel auxiliary ADC, or serial data I/O ports. As inputs, these pins can be connected to buttons, switches, rotary encoders, potentiometers, IR receivers, or other external circuitry to control the internal signal processing program. When configured as outputs, these pins can be used to drive LEDs, control other ICs, or connect to other external circuitry in an application.

The ADAU1401A has a sophisticated control port that supports complete read/write capability of all memory locations. Control registers are provided to offer complete control of the configuration and serial modes of the chip. The ADAU1401A can be configured for either SPI or I²C control, or it can self-boot from an external EEPROM.

An on-board oscillator can be connected to an external crystal to generate the master clock. In addition, a master clock phase-

locked loop (PLL) allows the ADAU1401A to be clocked from various clock speeds. The PLL can accept inputs of $64 \times f_s$, $256 \times f_s$, $384 \times f_s$, or $512 \times f_s$ to generate the internal master clock of the core.

The SigmaStudio software is used to program and control the SigmaDSP® through the control port. Along with designing and tuning a signal flow, SigmaStudio tools can be used to configure all of the DSP registers and burn a new program into the external EEPROM. The SigmaStudio graphical interface allows anyone with digital or analog audio processing knowledge to easily design a DSP signal flow and port it to a target application. In addition, the interface provides enough flexibility and programmability for an experienced DSP programmer to have in-depth control of the design. In SigmaStudio, the user can connect graphical blocks (such as biquad filters, dynamics processors, mixers, and delays), compile the design, and load the program and parameter files into the ADAU1401A memory through the control port. Signal processing blocks available in the provided libraries include

- Single- and double-precision biquad filters
- Processors with peak or rms detection for monochannel and multichannel dynamics
- Mixers and splitters
- Tone and noise generators
- Fixed and variable gain
- Loudness
- Delay
- Stereo enhancement
- Dynamic bass boost
- Noise and tone sources
- FIR filters
- Level detectors
- GPIO control and conditioning

Additional processing blocks are always being developed. Analog Devices also provides proprietary and third-party algorithms for applications such as matrix decoding, bass enhancement, and surround virtualizers. Contact Analog Devices for information about licensing these algorithms.

The ADAU1401A operates from a 1.8 V digital power supply and a 3.3 V analog supply. An on-board voltage regulator can be used to operate the chip from a single 3.3 V supply. The ADAU1401A is fabricated on a single monolithic, integrated circuit and is packaged in a 48-lead LQFP for operation over the -40°C to +105°C temperature range.

INITIALIZATION

This section describes the procedure for properly setting up the ADAU1401A. The following five-step sequence provides an overview of how to initialize the IC:

1. Apply power to the ADAU1401A.
2. Wait for the PLL to lock.
3. Load the SigmaDSP program and parameters.
4. Set up registers (including multipurpose pins and digital interfaces).
5. Turn off the default muting of the converters, clear the data registers, and initialize the DAC setup register (see the Control Registers Setup section for specific settings).

To only test analog audio pass-through (ADCs to DACs), skip Step 3 and Step 4 and use the default internal program.

POWER-UP SEQUENCE

The ADAU1401A has a built-in power-up sequence that initializes the contents of all internal RAMs on power-up or when the device is brought out of a reset. On the rising edge of RESET, the contents of the internal program boot ROM are copied to the internal program RAM memory, the parameter RAM is filled with values (all 0s) from its associated boot ROM, and all registers are initialized to 0s. The default boot ROM program copies audio from the inputs to the outputs without processing it (see Figure 13). In this program, SDATA_IN0 and SDATA_IN1 are output on DAC0 and DAC1 and on SDATA_OUT0 and SDATA_OUT1. ADC0 and ADC1 are output on DAC2 and DAC3. The data memories are also zeroed at power-up. New values should not be written to the control port until the initialization is complete.

Table 12. Power-Up Time

MCLKI Input Frequency	Init. Time	Maximum Program/Parameter/Register Boot Time (I ² C)	Total Time
3.072 MHz (64 × f _s)	85 ms	175 ms	260 ms
11.2896 MHz (256 × f _s)	23 ms	175 ms	198 ms
12.288 MHz (256 × f _s)	21 ms	175 ms	196 ms
18.432 MHz (384 × f _s)	16 ms	175 ms	191 ms
24.576 MHz (512 × f _s)	11 ms	175 ms	186 ms

The PLL start-up time lasts for 2¹⁸ cycles of the clock on the MCLKI pin. This time ranges from 10.7 ms for a 24.576 MHz (512 × f_s) input clock to 85.3 ms for a 3.072 MHz (64 × f_s) input clock and is measured from the rising edge of RESET. Following the PLL startup, the duration of the ADAU1401A boot cycle is about 42 μs for a f_s of 48 kHz. The user should avoid writing to or reading from the ADAU1401A during this start-up time. For an MCLKI input signal of 12.288 MHz, the full initialization sequence (PLL startup plus boot cycle) is approximately 21 ms. As the device comes out of a reset, the clock mode is immediately set by the PLL_MODE0 and PLL_MODE1 pins. The reset is synchronized to the falling edge of the internal clock.

Table 12 lists typical times to boot the ADAU1401A into an operational state for an application, assuming a 400 kHz I²C clock loading a full program, parameter set, and all registers (about 8.5 kB). In reality, most applications do not fill the RAMs and, therefore, boot time is less than the value listed in Column 3 of Table 12.

CONTROL REGISTERS SETUP

The following registers must be set as described in this section to initialize the ADAU1401A. These settings are the basic minimum settings needed to operate the IC with an analog input/output of 48 kHz. More registers may need to be set, depending on the application. See the RAMs and Registers section for additional settings.

DSP Core Control Register (Address 2076)

Set Bits[4:2] (ADM, DAM, and CR) each to 111.

DAC Setup Register (Address 2087)

Set Bits[1:0] (DS[1:0]) to 01.

RECOMMENDED PROGRAM/PARAMETER LOADING PROCEDURE

When writing large amounts of data to the program or parameter RAM in direct write mode, the processor core should be disabled to prevent unpleasant noises from appearing in the audio output. To disable the processor core,

1. Set Bits[4:3] (active low) of the DSP core control register (Address 2076) to 1 to mute the ADCs and DACs. This begins a volume ramp-down.
2. Set Bit 2 (active low) of the DSP core control register to 1. This zeroes the SigmaDSP accumulators, the data output registers, and the data input registers.
3. Fill the program RAM using burst mode writes.
4. Fill the parameter RAM using burst mode writes.
5. Set Bits[4:2] of the DSP core control register to 111.

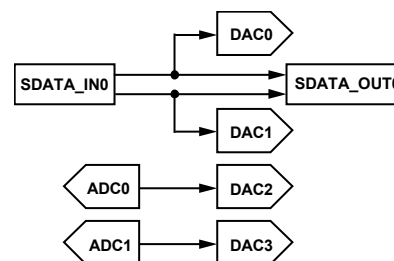


Figure 13. Default Program Signal Flow

POWER REDUCTION MODES

Sections of the ADAU1401A chip can be turned on and off as needed to reduce power consumption. These include the ADCs, DACs, and voltage reference.

The individual analog sections can be turned off by writing to the auxiliary ADC and power control register (Address 2082). By default, the ADCs, DACs, and reference are enabled (all bits

ADAU1401A

set to 0). Each of these can be turned off by writing a 1 to the appropriate bits in this register. The ADC power-down mode powers down both ADCs, and each DAC can be powered down individually. The current savings is about 15 mA when the ADCs are powered down and about 4 mA for each DAC that is powered down. The voltage reference, which is supplied to both the ADCs and DACs, should only be powered down if all ADCs and DACs are powered down. The voltage reference is powered down by setting both Bit 6 and Bit 7 of the auxiliary ADC and power control register.

USING THE OSCILLATOR

The ADAU1401A can use an on-board oscillator to generate its master clock. The oscillator is designed to work with a $256 \times f_s$ master clock, which is 12.288 MHz for a f_s of 48 kHz and 11.2896 MHz for a f_s of 44.1 kHz. The crystal in the oscillator circuit should be an AT-cut, parallel resonator operating at its fundamental frequency. Figure 14 shows the external circuit recommended for proper operation.

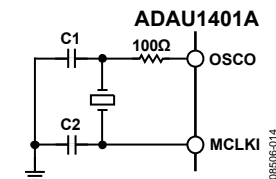


Figure 14. Crystal Oscillator Circuit

The 100 Ω damping resistor on OSCO gives the oscillator a voltage swing of approximately 2.2 V. The crystal shunt capacitance should be 7 pF. Its load capacitance should be about 18 pF, although the circuit supports values of up to 25 pF. The necessary values of the C1 and C2 load capacitors can be calculated from the crystal load capacitance as follows:

$$C_L = \frac{C1 \times C2}{C1 + C2} + C_{STRAY}$$

where C_{STRAY} is the stray capacitance in the circuit and is usually assumed to be approximately 2 pF to 5 pF.

OSCO should not be used to drive the crystal signal directly to another IC. This signal is an analog sine wave, and it is not appropriate to use it to drive a digital input. There are two options for using the ADAU1401A to provide a master clock to other ICs in the system. The first, and less recommended, method is to use a high impedance input digital buffer on the OSCO signal. If this approach is used, minimize the trace length to the buffer input. The second method is to use a clock from the serial output port. Pin 19 (MP11) can be set as an output (master) clock divided down from the internal core clock. If this pin is set to serial output port (OUTPUT_BCLK) mode in the multipurpose pin configuration register (Address 2081) and the port is set to master in the serial output control register (Address 2078), the desired output frequency can also be set in the serial output control register with the OBF[1:0] bits (see Table 49).

If the oscillator is not used in the design and a system master clock is already available in the system, the oscillator can be powered down to save power. By default, the oscillator is powered on. The oscillator powers down when a 1 is written to the OPD bit of the oscillator power-down register (Address 2086; see Table 60).

SETTING MASTER CLOCK/PLL MODE

The MCLKI input of the ADAU1401A feeds a PLL, which generates the 50 MIPS SigmaDSP core clock. In normal operation, the input to MCLKI must be one of the following: $64 \times f_s$, $256 \times f_s$, $384 \times f_s$, or $512 \times f_s$, where f_s is the input sampling rate. The mode is set by configuring PLL_MODE0 and PLL_MODE1 as described in Table 13. If the ADAU1401A is set to receive double-rate signals (by reducing the number of program steps per sample by a factor of 2 using the core control register), the master clock frequency must be $32 \times f_s$, $128 \times f_s$, $192 \times f_s$, or $256 \times f_s$. If the ADAU1401A is set to receive quad-rate signals (by reducing the number of program steps per sample by a factor of 4 using the DSP core control register), the master clock frequency must be $16 \times f_s$, $64 \times f_s$, $96 \times f_s$, or $128 \times f_s$. On power-up, a clock signal must be present on the MCLKI pin so that the ADAU1401A can complete its initialization routine.

Table 13. PLL Modes

MCLKI Input Frequency	PLL_MODE0	PLL_MODE1
$64 \times f_s$	0	0
$256 \times f_s$	0	1
$384 \times f_s$	1	0
$512 \times f_s$	1	1

The clock mode should not be changed without also resetting the ADAU1401A. If the mode is changed during operation, a click or pop may result in the output signals. The state of the PLL_MODEx pins should be changed while RESET is held low.

The PLL loop filter should be connected to the PLL_LF pin. This filter, shown in Figure 15, includes three passive components—two capacitors and a resistor. The values of these components do not need to be exact; the tolerance can be up to 10% for the resistor and up to 20% for the capacitors. The 3.3 V signal shown in Figure 15 can be connected to the AVDD supply of the chip.

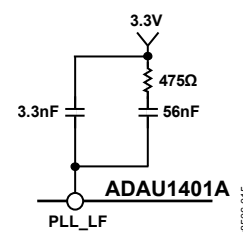


Figure 15. PLL Loop Filter

VOLTAGE REGULATOR

The digital voltage of the ADAU1401A must be set to 1.8 V. The chip includes an on-board voltage regulator that allows the device to be used in systems without an available 1.8 V supply but with an available 3.3 V supply. The only external components needed in such instances are a PNP transistor, a resistor, and a few bypass capacitors. Only one pin, VDRIVE, is necessary to support the regulator.

The recommended design for the voltage regulator is shown in Figure 16. The 10 μF and 100 nF capacitors shown in this configuration are recommended for bypassing, but are not necessary for operation. Each DVDD pin should have its own 100 nF bypass capacitor, but only one bulk capacitor (10 μF to 47 μF) is needed for both DVDD pins. With this configuration, 3.3 V is the main system voltage; 1.8 V is generated at the transistor's collector, which is connected to the DVDD pins. VDRIVE is connected to the base of the PNP transistor. If the regulator is not used in the design, VDRIVE can be tied to ground.

Two specifications must be considered when choosing a regulator transistor: the transistor's current amplification factor (h_{FE} or beta) should be at least 100, and the transistor's collector must be able to dissipate the heat generated when regulating from 3.3 V to 1.8 V. The maximum digital current drawn from the ADAU1401A is 40 mA. The equation to determine the minimum power dissipation of the transistor is as follows:

$$(3.3 \text{ V} - 1.8 \text{ V}) \times 60 \text{ mA} = 90 \text{ mW}$$

There are many transistors with these specifications available in small SOT-23 or SOT-223 packages.

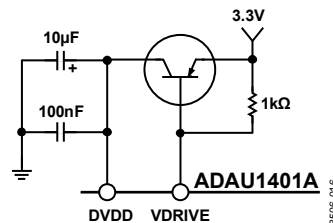


Figure 16. Voltage Regulator Configuration

ADAU1401A

AUDIO ADCs

The ADAU1401A has two Σ - Δ ADCs. The signal-to-noise ratio (SNR) of the ADCs is 100 dB, and the THD + N is -83 dB.

The stereo audio ADCs are current input; therefore, a voltage-to-current resistor is required on the inputs. This means that the voltage level of the input signals to the system can be set to any level; only the input resistors need to be scaled to provide the proper full-scale current input. The ADC0 and ADC1 input pins, as well as the ADC_RES pin, have an internal 2 k Ω resistor for ESD protection. The voltage seen directly on the ADC input pins is the 1.5 V common-mode voltage.

The external resistor connected to ADC_RES sets the full-scale current input of the ADCs. The full range of the ADC inputs is 100 μ A rms with an external 18 k Ω resistor on ADC_RES (20 k Ω total, because it is in series with the internal 2 k Ω). The only reason to change the ADC_RES resistor is if a sampling rate other than 48 kHz is used.

The voltage-to-current resistors connected to ADC0 and ADC1 set the full-scale voltage input of the ADCs. With a full-scale current input of 100 μ A rms, a 2.0 V rms signal with an external 18 k Ω resistor (in series with the 2 k Ω internal resistor) results in an input using the full range of the ADC. The matching of these resistors to the ADC_RES resistor is important to the operation of the ADCs. For these three resistors, a 1% tolerance is recommended.

The ADC0 input pin and/or the ADC1 input pin can be left unconnected if the corresponding channel of the ADC is unused.

The calculations of resistor values assume a 48 kHz sample rate. The recommended input and current setting resistors scale linearly with the sample rate because the ADCs have a switched-capacitor input. The total value (2 k Ω internal plus external resistor) of the ADC_RES resistor with sample rate f_{S_NEW} can be calculated as follows:

$$R_{TOTAL} = 20 \text{ k}\Omega \times \frac{48,000}{f_{S_NEW}}$$

The values of the resistors (internal plus external) in series with the ADC0 and ADC1 pins can be calculated as follows:

$$R_{INPUT\ TOTAL} = (rms\ Input\ Voltage) \times 10 \text{ k}\Omega \times \frac{48,000}{f_{S_NEW}}$$

Table 14 lists the external and total resistor values for common signal input levels at a 48 kHz sampling rate. A full-scale rms input voltage of 0.9 V is shown in the table because a full-scale signal at this input level is equal to a full-scale output on the DACs.

Table 14. ADC Input Resistor Values

Full-Scale RMS Input Voltage (V)	ADC_RES Value (k Ω)	ADC0/ADC1 Resistor Value (k Ω)	Total ADC0/ADC1 Input Resistance (External + Internal) (k Ω)
0.9	18	7	9
1.0	18	8	10
2.0	18	18	20

Figure 17 shows a typical configuration of the ADC inputs for a 2.0 V rms input signal for a f_s of 48 kHz. The 47 μ F capacitors are used to ac-couple the signals so that the inputs are biased at 1.5 V.

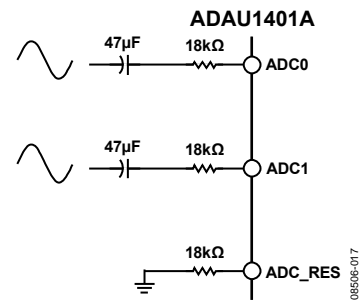


Figure 17. Audio ADC Input Configuration

AUDIO DACs

The ADAU1401A includes four Σ - Δ DACs. The SNR of the DACs is 104 dB, and the THD + N is -90 dB. A full-scale output on the DACs is 0.9 V rms (2.5 V p-p).

The DACs are in an inverting configuration. If a signal inversion from input to output is undesirable, it can be reversed either by using an inverting configuration for the output filter or by simply inverting the signal in the SigmaDSP program flow.

The DAC outputs can be filtered with either an active or passive reconstruction filter. A single-pole, passive, low-pass filter with a 50 kHz corner frequency, as shown in Figure 18, is sufficient to filter the DAC out-of-band noise, although an active filter may provide better audio performance. Figure 19 shows a triple-pole,

active, low-pass filter that provides a steeper roll-off and better stop-band attenuation than the passive filter. In this configuration, the V+ and V- pins of the AD8606 op amp are set to VDD and ground, respectively.

To properly initialize the DACs, the DS[1:0] bits in the DAC setup register (Address 2087) should be set to 01.

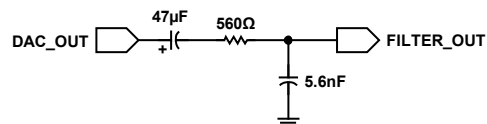


Figure 18. Passive DAC Output Filter

08506-018

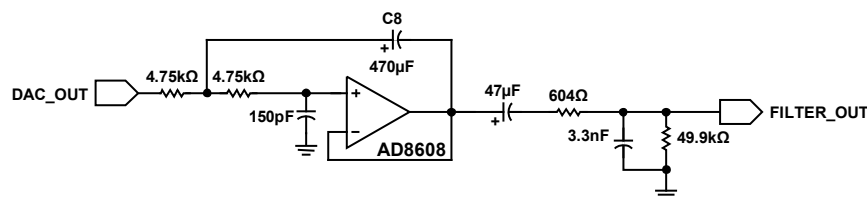


Figure 19. Active DAC Output Filter

08506-019

ADAU1401A

CONTROL PORTS

The ADAU1401A can operate in one of three control modes: I²C control, SPI control, or self-boot (no external controller).

The ADAU1401A has both a 4-wire SPI control port and a 2-wire I²C bus control port. Either port can be used to set the RAMs and registers. When the SELFB_{OOT} pin is low at power-up, the part defaults to I²C mode but can be put into SPI control mode by pulling the CLATCH/WP pin low three times. When the SELFB_{OOT} pin is set high at power-up, the ADAU1401A loads its program, parameters, and register settings from an external EEPROM on startup.

The control port is capable of full read/write operation for all addressable memory locations and registers. Most signal processing parameters are controlled by writing new values to the parameter RAM using the control port. Other functions, such as mute and input/output mode control, are programmed by writing to the registers.

All addresses can be accessed in a single-address mode or a burst mode. The first byte (Byte 0) of a control port write contains the 7-bit chip address plus the R/W bit. The next two bytes (Byte 1 and Byte 2) together form the subaddress of the memory or register location within the ADAU1401A. This subaddress must be two bytes because the memory locations within the ADAU1401A are directly addressable and their sizes

exceed the range of single-byte addressing. All subsequent bytes (starting with Byte 3) contain the data, such as control port data, program data, or parameter data. The number of bytes per word depends on the type of data that is being written. The exact formats for specific types of writes are shown in Table 22 to Table 31.

The ADAU1401A has several mechanisms for updating signal processing parameters in real time without causing pops or clicks. If large blocks of data need to be downloaded, the output of the DSP core can be halted (using the CR bit in the DSP core control register (Address 2076)), new data can be loaded, and then the device can be restarted. This is typically done during the booting sequence at startup or when loading a new program into RAM. In cases where only a few parameters need to be changed, they can be loaded without halting the program. To avoid unwanted side effects while loading parameters on-the-fly, the SigmaDSP provides the safeload registers. The safeload registers can be used to buffer a full set of parameters (for example, the five coefficients of a biquad) and then transfer these parameters into the active program within one audio frame. The safeload mode uses internal logic to prevent contention between the DSP core and the control port.

The control port pins are multifunctional, depending on the mode in which the part is operating. Table 15 details these multiple functions.

Table 15. Control Port Pins and SELFB_{OOT} Pin Functions

Pin	I ² C Mode	SPI Mode	Self-Boot
SCL/CCLK	SCL—input	CCLK—input	SCL—output
SDA/COUT	SDA—open-collector output and input	COUT—output	SDA—open-collector output and input
ADDR1/CDATA/WB	ADDR1—input	CDATA—input	WB—writeback trigger
CLATCH/WP	Unused input—tie to ground or IOVDD	CLATCH—input	WP—EEPROM write protect, open-collector output
ADDR0	ADDR0—input	ADDR0—input	Unused input—tie to ground or IOVDD

I²C PORT

The ADAU1401A supports a 2-wire serial (I²C-compatible) microprocessor bus driving multiple peripherals. Two pins—serial data (SDA) and serial clock (SCL)—carry information between the ADAU1401A and the system I²C master controller. In I²C mode, the ADAU1401A is always a slave on the bus, meaning it cannot initiate a data transfer. Each slave device is recognized by a unique address. The address byte format is shown in Table 16. The ADAU1401A slave addresses are set with the ADDR0 and ADDR1 pins. The address resides in the first seven bits of the I²C write. The LSB of this byte sets either a read or write operation. Logic Level 1 corresponds to a read operation, and Logic Level 0 corresponds to a write operation. Bit 5 and Bit 6 of the address are set by tying the ADDR_x pins of the ADAU1401A to Logic Level 0 or Logic Level 1. The full byte addresses, including the pin settings and read/write (R/W) bit, are shown in Table 17.

Burst mode addressing, where the subaddresses are automatically incremented at word boundaries, can be used for writing large amounts of data to contiguous memory locations. This increment happens automatically after a single-word write unless a stop condition is encountered. The registers and RAMs in the ADAU1401A range in width from one to five bytes; therefore, the auto-increment feature knows the mapping between subaddresses and the word length of the destination register (or memory location). A data transfer is always terminated by a stop condition.

Both SDA and SCL should have 2.2 kΩ pull-up resistors on the lines connected to them. The voltage on these signal lines should not be more than IOVDD (3.3 V).

Table 16. ADAU1401A I²C Address Byte Format

Bit 0	Bit 1	Bit 2	Bit 3	Bit 4	Bit 5	Bit 6	Bit 7
0	1	1	0	1	ADDR1	ADDR0	R/W

Table 17. ADAU1401A I²C Addresses

ADDR1	ADDR0	R/W	Slave Address
0	0	0	0x68
0	0	1	0x69
0	1	0	0x6A
0	1	1	0x6B
1	0	0	0x6C
1	0	1	0x6D
1	1	0	0x6E
1	1	1	0x6F

Addressing

Initially, each device on the I²C bus is in an idle state monitoring the SDA and SCL lines for a start condition and the proper address. The I²C master initiates a data transfer by establishing a start condition, defined by a high-to-low transition on SDA while SCL remains high. This indicates that an address or an address and a data stream follow. All devices on the bus respond to the start condition and shift the next eight bits (the 7-bit address plus the R/W bit) MSB first. The device that recognizes the transmitted address responds by pulling the data line low during the ninth clock pulse. This ninth bit is known as an acknowledge bit. All other devices withdraw from the bus at this point and return to the idle condition. The R/W bit determines the direction of the data. A Logic 0 on the LSB of the first byte means that the master writes information to the peripheral, whereas a Logic 1 means that the master reads information from the peripheral after writing the subaddress and repeating the start address. A data transfer takes place until a stop condition is encountered. A stop condition occurs when SDA transitions from low to high while SCL is held high. Figure 20 shows the timing of an I²C write, and Figure 21 shows the timing of an I²C read.

Stop and start conditions can be detected at any stage during the data transfer. If these conditions are asserted out of sequence with normal read and write operations, the ADAU1401A immediately jumps to the idle condition. During a given SCL high period, the user should only issue one start condition, one stop condition, or a single stop condition followed by a single start condition. If an invalid subaddress is issued by the user, the ADAU1401A does not issue an acknowledge and returns to the idle condition. If the user exceeds the highest subaddress while in auto-increment mode, one of two actions is taken. In read mode, the ADAU1401A outputs the highest subaddress register contents until the master device issues a no acknowledge, indicating the end of a read. A no-acknowledge condition is where the SDA line is not pulled low on the ninth clock pulse on SCL. On the other hand, if the highest subaddress location is reached while in write mode, the data for the invalid byte is not loaded into any subaddress register, a no acknowledge is issued by the ADAU1401A, and the part returns to the idle condition.

ADAU1401A

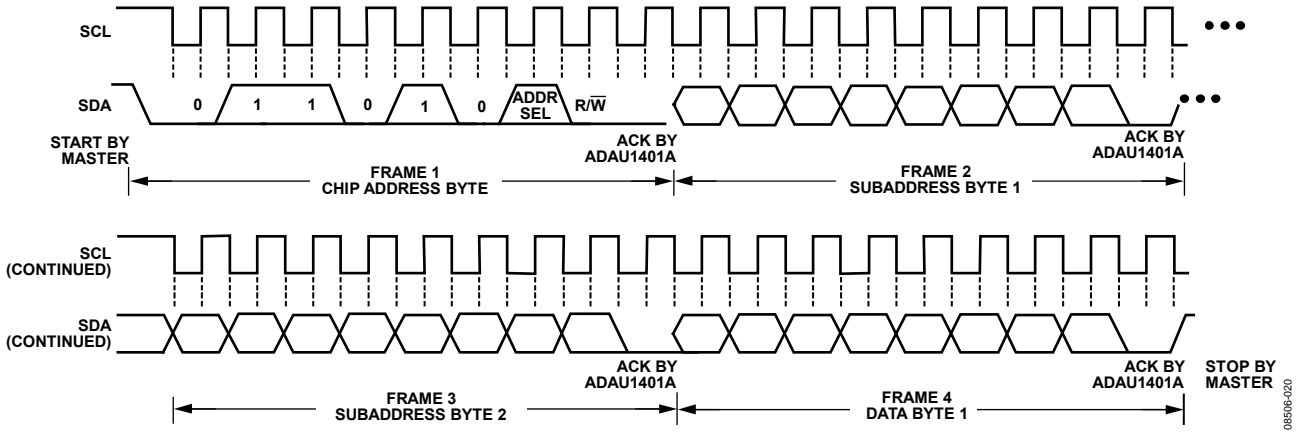


Figure 20. PC Write to ADAU1401A Clcking

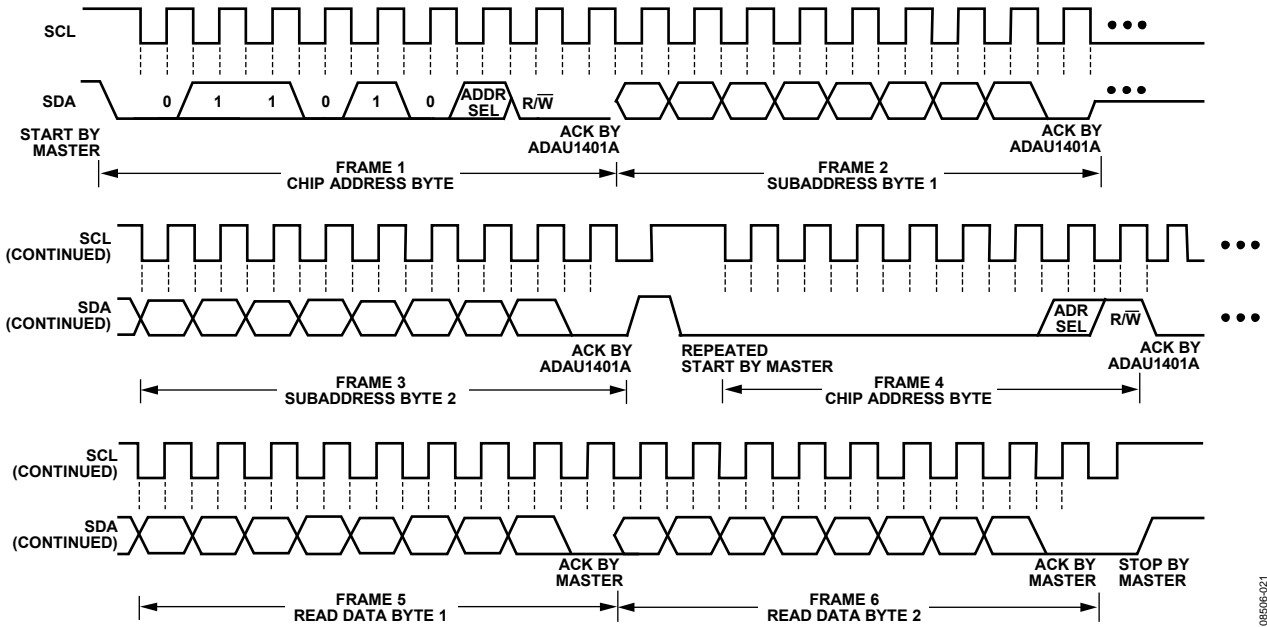


Figure 21. PC Read from ADAU1401A Clcking

I²C Read and Write Operations

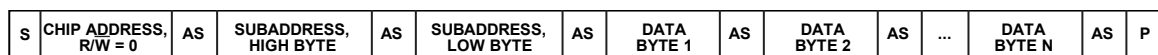
Figure 22 shows the timing of a single-word write operation. On every ninth clock, the ADAU1401A issues an acknowledge by pulling SDA low.

Figure 23 shows the timing of a burst mode write sequence. This figure shows an example where the target destination registers are two bytes. The ADAU1401A knows to increment its subaddress register every two bytes because the requested subaddress corresponds to a register or memory area with a word length of two bytes.

The timing of a single-word read operation is shown in Figure 24. Note that the first R/W bit is 0, indicating a write operation. This is because the subaddress still needs to be written to set up the internal address. After the ADAU1401A acknowledges the receipt of the subaddress, the master must

issue a repeated start command followed by the chip address byte with the R/W bit set to 1 (read). This causes the ADAU1401A SDA to reverse and begin driving data back to the master. The master then responds every ninth pulse with an acknowledge pulse to the ADAU1401A.

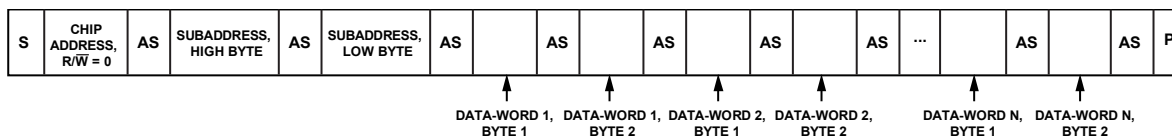
Figure 25 shows the timing of a burst mode read sequence. This figure shows an example where the target read registers are two bytes. The ADAU1401A increments its subaddress register every two bytes because the requested subaddress corresponds to a register or memory area with word lengths of two bytes. Other addresses may have word lengths ranging from one to five bytes. The ADAU1401A always decodes the subaddress and sets the auto-increment circuit so that the address increments after the appropriate number of bytes.



S = START BIT, P = STOP BIT, AS = ACKNOWLEDGE BY SLAVE. SHOWS A ONE-WORD WRITE, WHERE EACH WORD HAS N BYTES.

Figure 22. Single-Word I²C Write Format

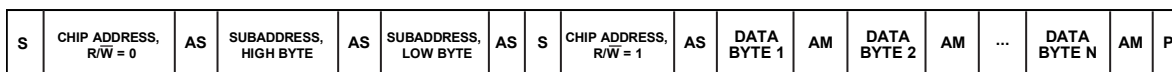
08506-022



S = START BIT, P = STOP BIT, AS = ACKNOWLEDGE BY SLAVE. SHOWS AN N-WORD WRITE, WHERE EACH WORD HAS TWO BYTES. (OTHER WORD LENGTHS ARE POSSIBLE, RANGING FROM ONE TO FIVE BYTES.)

Figure 23. Burst Mode I²C Write Format

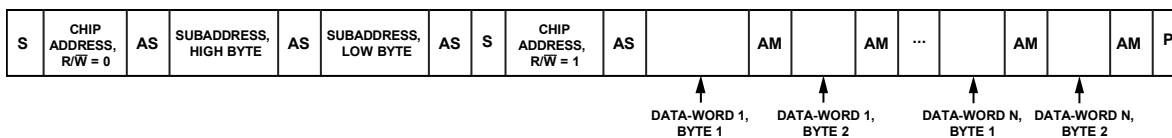
08506-023



S = START BIT, P = STOP BIT, AM = ACKNOWLEDGE BY MASTER, AS = ACKNOWLEDGE BY SLAVE. SHOWS A ONE-WORD READ, WHERE EACH WORD HAS N BYTES.

Figure 24. Single-Word I²C Read Format

08506-024



S = START BIT, P = STOP BIT, AM = ACKNOWLEDGE BY MASTER, AS = ACKNOWLEDGE BY SLAVE. SHOWS AN N-WORD READ, WHERE EACH WORD HAS TWO BYTES. (OTHER WORD LENGTHS ARE POSSIBLE, RANGING FROM ONE TO FIVE BYTES.)

Figure 25. Burst Mode I²C Read Format

08506-025

ADAU1401A

SPI PORT

By default, the ADAU1401A is in I²C mode, but it can be put into SPI control mode by pulling CLATCH/WP low three times. The SPI port uses a 4-wire interface, consisting of the CLATCH, CCLK, CDATA, and COUT signals, and is always a slave port. The CLATCH signal should go low at the beginning of a transaction and high at the end of a transaction. The CCLK signal latches CDATA during a low-to-high transition. COUT data is shifted out of the ADAU1401A on the falling edge of CCLK and should be clocked into a receiving device, such as a microcontroller, on the CCLK rising edge. The CDATA signal carries the serial input data, and the COUT signal is the serial output data. The COUT signal remains three-stated until a read operation is requested. This allows other SPI-compatible peripherals to share the same readback line. All SPI transactions have the same basic format shown in Table 19. A timing diagram is shown in Figure 3. All data should be written MSB first. The ADAU1401A cannot be taken out of SPI mode without a full reset.

Chip Address, R/W

The first byte of an SPI transaction includes the 7-bit chip address and an R/W bit. The chip address is set by the ADDR0 pin. This allows two ADAU1401A devices to share a CLATCH signal, yet still operate independently. When ADDR0 is low, the chip address is 0000000; when ADDR0 is high, the address is 0000001 (see Table 18). The LSB of this first byte determines whether the SPI transaction is a read (Logic Level 1) or a write (Logic Level 0).

Table 18. ADAU1401A SPI Address Byte Format

Bit 0	Bit 1	Bit 2	Bit 3	Bit 4	Bit 5	Bit 6	Bit 7
0	0	0	0	0	0	ADDR0	R/W

Subaddress

The 12-bit subaddress word is decoded into a location in one of the memory areas or registers. This subaddress is the location of the appropriate RAM location or register. The MSBs of the subaddress are zero-padded to bring the word to a full 2-byte length.

Data Bytes

The number of data bytes varies according to the register or memory location being accessed. During a burst mode write, an initial subaddress is written followed by a continuous sequence of data for consecutive memory/register locations. The detailed data format for continuous mode operation is shown in Table 23 and Table 25 in the Read/Write Data Formats section.

A sample timing diagram of a single-write SPI operation to the parameter RAM is shown in Figure 26. A sample timing diagram of a single-read SPI operation is shown in Figure 27. In Figure 27, the COUT pin goes from three-state to being driven at the beginning of Byte 3. In this example, Byte 0 to Byte 2 contain the addresses and the R/W bit, and subsequent bytes carry the data.

Table 19. Generic Control Word Format

Byte 0	Byte 1	Byte 2	Byte 3	Byte 4 ¹
CHIP_ADR[6:0], R/W	0000, SUBADR[11:8]	SUBADR[7:0]	Data	Data

¹ Continues to end of data.

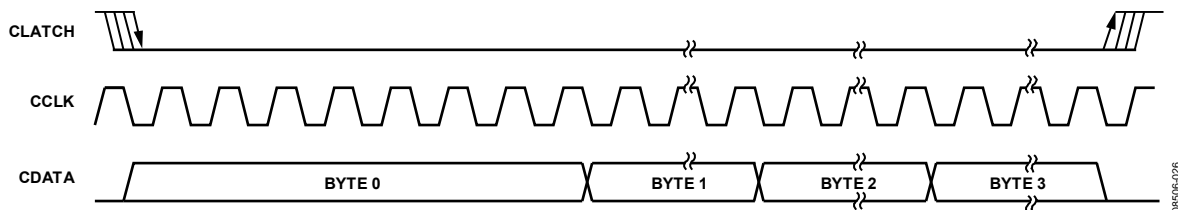


Figure 26. SPI Write to ADAU1401A Clocking (Single-Write Mode)

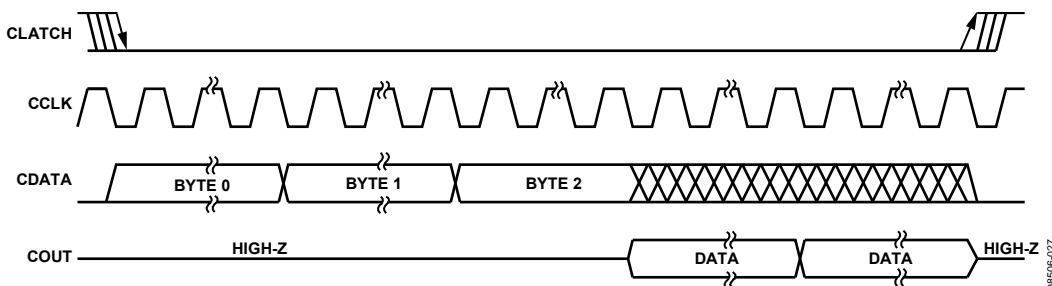


Figure 27. SPI Read from ADAU1401A Clocking (Single-Read Mode)

SELF-BOOT

On power-up, the ADAU1401A can load a program and a set of parameters that have been saved in an external EEPROM. Combined with the auxiliary ADC and the multipurpose pins, this eliminates the need for a microcontroller in the system. The self-boot is accomplished by the ADAU1401A acting as a master on the I²C bus on startup, which occurs when the SELFBOOT pin is set high. The ADAU1401A cannot self-boot in SPI mode.

The maximum necessary EEPROM size for program and parameters is 9248 bytes, or just over 8.5 kB. This does not include register settings or overhead bytes, but such factors do not add a significant number of bytes. This much memory is needed only if the program RAM (1024 × five bytes), parameter RAM (1024 × four bytes), and interface registers (8 × four bytes) are completely full. Most applications do not use the full program and parameter RAMs, thus an 8 kB EEPROM should be sufficient.

A self-boot operation is triggered on the rising edge of $\overline{\text{RESET}}$ when the SELFBOOT and WP pins are set high. The ADAU1401A reads the program, parameters, and register settings from the EEPROM. After the ADAU1401A finishes self-booting, additional messages can be sent to the ADAU1401A on the I²C bus, although this typically is not necessary in a self-booting application. The I²C device address is 0x68 for a write and 0x69 for a read in this mode. The ADDR_x pins have different functions when the chip is in this mode, so the settings on them can be ignored.

The ADAU1401A does not self-boot if WP is set low. Holding this pin low allows the EEPROM to be programmed in-circuit. The WP pin is pulled low (it typically has a resistor pull-up) to enable writes to the EEPROM, but this, in turn, disables the self-boot function until the WP pin is returned high.

The ADAU1401A is a master on the I²C bus during self-boot and writeback. Although it is uncommon for an application using self-boot to also have a microcontroller connected to the control lines, care should be taken that no other device tries to write to the I²C bus during self-boot or writeback. The ADAU1401A generates SCL at $8 \times f_s$; therefore, for a f_s of 48 kHz, SCL is 384 kHz. SCL has a duty cycle of 3/8 in accordance with the I²C specification.

The ADAU1401A reads from EEPROM Chip Address 0xA1. The LSBs of the addresses of some EEPROMs are pin configurable; in most cases, these pins should be tied low to set this address.

EEPROM Format

The EEPROM data contains a sequence of messages. Each discrete message is one of the seven types defined in Table 20 and consists of a sequence of one or more bytes. The first byte identifies the message type. Bytes are written MSB first. Most messages are block write (0x01) types, which are used for writing to the ADAU1401A program RAM, parameter RAM, and control registers.

The body of the message following the message type should start with a 0x00 byte; this is the chip address. As with all other control port transactions, following the chip address is a 2-byte register/memory address field.

Figure 28 shows an example of what should be stored in the EEPROM, starting with EEPROM Address 0x00. In this example, the interface registers are first set to control port write mode (see Line 1 of Figure 28), which is followed by 18 no-operation (no-op) bytes (see Line 2 to Line 4 of Figure 28) so that the interface register data appears on Page 2 of the EEPROM. Next follows the write header, which comprises a write, length and device address (see Line 4 of Figure 28), and then 32 bytes of interface register data (see Line 5 to Line 8 of Figure 28). Finally, the program RAM data, starting at ADAU1401A Address 0x04 0x00 is written (see Line 9 to Line 11 of Figure 28). In this example, the program length is 70 words, or 350 bytes, so 332 more bytes are included in the EEPROM but are not shown in Figure 28.

Writeback

A writeback occurs when the WB pin is triggered and data is written to the EEPROM from the ADAU1401A. This function is typically used to save the volume setting and other parameter settings to the EEPROM just before power is removed from the system. A rising edge on the WB pin triggers a writeback when the device is in self-boot mode, unless a message to set the WB pin to be falling-edge sensitive (0x05) is contained in the self-boot message sequence. Only one writeback takes place unless a message to set multiple writebacks (0x04) is contained in the self-boot message sequence. The WP pin is pulled low when a writeback is triggered to allow writing to the EEPROM.

The ADAU1401A can only write back the contents of the interface registers to the EEPROM. These registers are usually set by the DSP program, but can also be written to directly after setting Bit 6 of the DSP core control register. The parameter settings that should be saved are configured in SigmaStudio.

ADAU1401A

The writeback function writes data from the ADAU1401A interface registers to the second page of the self-boot EEPROM, EEPROM Address 0x20 to EEPROM Address 0x3F. Starting at EEPROM Address 0x1A (so that the interface register data begins at EEPROM Address 0x20), the EEPROM should be programmed with six bytes—the message byte (0x01), two length bytes, the chip address (0x00), and the 2-byte subaddress for the interface registers (0x08, 0x00). There must be a message to the DSP core control register to enable writing to the interface registers prior to the interface register data in the EEPROM. This should be stored in EEPROM Address 0x00. No-op messages (0x03) can be used between messages to ensure that these conditions are met.

The ADAU1401A writes to EEPROM Chip Address 0xA0. The LSBs of the addresses of some EEPROMs are pin configurable; in most cases, these pins should be tied low to set the address to 0xA0.

The maximum number of bytes that is written back from the ADAU1401A is 35 (eight 4-byte interface registers plus three bytes of EEPROM-addressing overhead). With SCL at 384 kHz, the writeback operation takes approximately 73 μs to complete after being triggered. Ensure that sufficient power is available to the system to allow enough time for a writeback to complete, especially if the WB signal is triggered from a decreasing power supply voltage.

Table 20. EEPROM Message Types

Message ID	Message Type	Following Bytes
0x00	End	None
0x01	Write	Two bytes indicating the message length followed by an appropriate number of data bytes
0x02	Delay	Two bytes for delay
0x03	No operation executed	None
0x04	Set multiple writebacks	None
0x05	Set WB to be falling-edge sensitive	None
0x06	End and wait for writeback	None



Figure 28. EEPROM Data Example

SIGNAL PROCESSING

The ADAU1401A is designed to provide all audio signal processing functions commonly used in stereo or multichannel playback systems. The signal processing flow is designed using the SigmaStudio software, which allows graphical entry and real-time control of all signal processing functions.

Many of the signal processing functions are coded using full, 56-bit, double-precision arithmetic data. The input and output word lengths of the DSP core are 24 bits. Four extra headroom bits are used in the processor to allow internal gains of up to 24 dB without clipping. Additional gains can be achieved by initially scaling down the input signal in the DSP signal flow.

NUMERIC FORMATS

DSP systems commonly use a standard numeric format. Fractional number systems are specified by an A.B format, where A is the number of bits to the left of the decimal point and B is the number of bits to the right of the decimal point.

The ADAU1401A uses the same numeric format for both the parameter and data values. The format is as described in the Numerical Format: 5.23 section.

Numerical Format: 5.23

Linear range: -16.0 to $(+16.0 - 1 \text{ LSB})$

Examples:

- 1000 0000 0000 0000 0000 0000 = -16.0
- 1110 0000 0000 0000 0000 0000 = -4.0
- 1111 1000 0000 0000 0000 0000 = -1.0
- 1111 1110 0000 0000 0000 0000 = -0.25
- 1111 1111 0011 0011 0011 0011 = -0.1
- 1111 1111 1111 1111 1111 1111 = (1 LSB below 0.0)
- 0000 0000 0000 0000 0000 0000 = 0.0
- 0000 0000 1100 1100 1100 1101 = 0.1
- 0000 0010 0000 0000 0000 0000 = 0.25
- 0000 1000 0000 0000 0000 0000 = 1.0
- 0010 0000 0000 0000 0000 0000 = 4.0
- 0111 1111 1111 1111 1111 1111 = $(16.0 - 1 \text{ LSB})$.

The serial port accepts up to 24 bits on the input and is sign-extended to the full 28 bits of the DSP core. This allows internal gains of up to 24 dB without internal clipping.

A digital clipper circuit is used between the output of the DSP core and the DACs or serial port outputs (see Figure 29). This

clips the top four bits of the signal to produce a 24-bit output with a range of 1.0 (minus 1 LSB) to -1.0 . Figure 29 indicates the maximum signal levels at each point in the data flow in both binary and decibel levels.

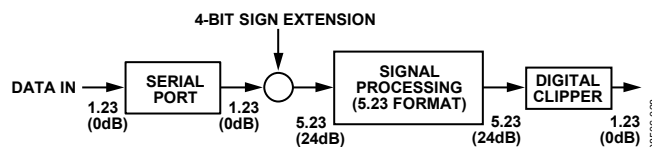


Figure 29. Numeric Precision and Clipping Structure

PROGRAMMING

On power-up, the ADAU1401A default program passes the unprocessed input signals to the outputs (shown in Figure 13), but the outputs are muted by default (see the Power-Up Sequence section). There are 1024 instruction cycles per audio sample, resulting in about 50 MIPS being available. The SigmaDSP runs in a stream-oriented manner, meaning that all 1024 instructions are executed each sample period. The ADAU1401A can also be set to accept double- or quad-speed inputs by reducing the number of instructions per sample that are set in the DSP core control register.

The part can be easily programmed using SigmaStudio (see Figure 30), a graphical tool provided by Analog Devices. No knowledge of writing line-level DSP code is required. More information about SigmaStudio can be found at www.analog.com.

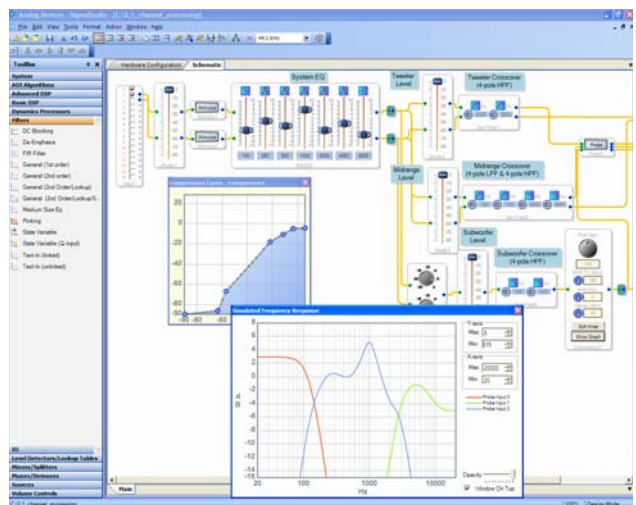


Figure 30. SigmaStudio Screen Shot

ADAU1401A

RAMS AND REGISTERS

Table 21. RAM Map and Read/Write Modes

Memory	Size	Address Range	Read	Write	Write Modes
Parameter RAM	1024 × 32	0 to 1023 (0x0000 to 0x03FF)	Yes	Yes	Direct write, ¹ safeload write
Program RAM	1024 × 40	1024 to 2047 (0x0400 to 0x07FF)	Yes	Yes	Direct write ¹

¹ Internal registers should be cleared first to prevent clicks and pops.

ADDRESS MAPS

Table 21 shows the RAM map, whereas Table 32 shows the ADAU1401A register map. The address space encompasses a set of registers and two RAMs: one RAM holds the signal processing parameters and the other RAM holds the program instructions. The program RAM and parameter RAM are initialized on power-up from on-board boot ROMs (see the Power-Up Sequence section).

All RAMs and registers have a default value of all 0s, except for the program RAM, which is loaded with the default program (see the Initialization section).

PARAMETER RAM

The parameter RAM is 32 bits wide and occupies Address 0 to Address 1023. Each parameter is padded with four 0s before the MSB to extend the 28-bit word to a full 4-byte width. The parameter RAM is initialized to all 0s on power-up. The data of the parameter RAM is in twos complement, 5.23 format. This means that the coefficients can range from +16.0 (minus 1 LSB) to -16.0, with 1.0 represented by the binary word 0000 1000 0000 0000 0000 0000 or by the hexadecimal word 0x00 0x80 0x00 0x00.

The parameter RAM can be written using one of the two following methods: a direct read/write or a safeload write.

Direct Read/Write

The direct read/write method allows direct access to the program RAM and parameter RAM. This mode of operation is typically used when loading a new RAM using burst mode addressing. The clear registers bit in the DSP core control register should be set to 0 when this mode is used to prevent clicks and pops in the outputs. Note that this mode can be used during live program execution, but because there is no handshaking between the core and the control port, the parameter RAM is unavailable to the DSP core during control writes, resulting in clicks and pops in the audio stream.

Safeload Write

Up to five safeload registers can be loaded with the parameter RAM address and data. The data is then transferred to the requested address when the RAM is not busy. This method can be used for dynamic updates while live program material is playing through the ADAU1401A. For example, a complete update of one biquad section can occur in one audio frame while the RAM is not busy. This method is not available for writing to the program RAM or control registers.

DATA RAM

The ADAU1401A data RAM is used to store audio data-words for processing. For the most part, this process is transparent to the user. The user cannot address the RAM space, which has a size of 2k words, directly from the control port.

Data RAM utilization should be considered when implementing blocks that require large amounts of data RAM space, such as delays. The SigmaDSP core processes delay times in one-sample increments; therefore, the total pool of delay available to the user equals 2048 multiplied by the sample period. For a f_s of 48 kHz, the pool of available delay is a maximum of about 43 ms. In practice, this much data memory is not available to the user because every block in a design uses a few data memory locations for its processing. In most DSP programs, this does not significantly impact the total delay time. The SigmaStudio compiler manages the data RAM and indicates if the number of addresses needed in the design exceeds the maximum number available.

READ/WRITE DATA FORMATS

The read/write formats of the control port are designed to be byte oriented. This allows easy programming of common micro-controller chips. To fit into a byte-oriented format, 0s are appended to the data fields before the MSB to extend the data-word to eight bits. For example, 28-bit words written to the parameter RAM are appended with four leading 0s to equal 32 bits (four bytes), whereas 40-bit words written to the program RAM are not appended with 0s because they are already a full five bytes. These zero-padded data fields are appended to a 3-byte field consisting of a 7-bit chip address, a read/write bit, and an 11-bit RAM/register address. The control port knows how many data bytes to expect based on the address given in the first three bytes.

The total number of bytes for a single-location write command can vary from four bytes (for a control register write) to eight bytes (for a program RAM write). Burst mode can be used to fill contiguous register or RAM locations. A burst mode write begins by writing the address and data of the first RAM or register location to be written. Rather than ending the control port transaction (by issuing a stop command in I²C mode or by bringing the CLATCH signal high in SPI mode after the data-word), as would be done in a single-address write, the next data-word can be immediately written without specifying its address. The ADAU1401A control port auto-increments the address of each write, even across the boundaries of different RAMs and registers. Table 23 and Table 25 show examples of burst mode writes.

Table 22. Parameter RAM Read/Write Format (Single Address)

Byte 0	Byte 1	Byte 2	Byte 3	Bytes[4:6]
CHIP_ADR[6:0], \overline{W}/R	000000, PARAM_ADR[9:8]	PARAM_ADR[7:0]	0000, PARAM[27:24]	PARAM[23:0]

Table 23. Parameter RAM Block Read/Write Format (Burst Mode)

Byte 0	Byte 1	Byte 2	Byte 3	Bytes[4:6]	Bytes[7:10]	Bytes[11:14]
CHIP_ADR[6:0], \overline{W}/R	000000, PARAM_ADR[9:8]	PARAM_ADR[7:0]	0000, PARAM[27:24]	PARAM[23:0]
<—PARAM_ADR—>				PARAM_ADR + 1	PARAM_ADR + 2	

Table 24. Program RAM Read/Write Format (Single Address)

Byte 0	Byte 1	Byte 2	Bytes[3:7]
CHIP_ADR[6:0], \overline{W}/R	000000, PROG_ADR[10:8]	PROG_ADR[7:0]	PROG[39:0]

Table 25. Program RAM Block Read/Write Format (Burst Mode)

Byte 0	Byte 1	Byte 2	Bytes[3:7]	Bytes[8:12]	Bytes[13:17]
CHIP_ADR[6:0], \overline{W}/R	000000, PROG_ADR[10:8]	PROG_ADR[7:0]	PROG[39:0]
<—PROG_ADR—>				PROG_ADR + 1	PROG_ADR + 2

Table 26. Control Register Read/Write Format (Core, Serial Out 0, Serial Out 1)

Byte 0	Byte 1	Byte 2	Byte 3	Byte 4
CHIP_ADR[6:0], \overline{W}/R	0000, REG_ADR[11:8]	REG_ADR[7:0]	Data[15:8]	Data[7:0]

Table 27. Control Register Read/Write Format (RAM Configuration, Serial Input)

Byte 0	Byte 1	Byte 2	Byte 3
CHIP_ADR[6:0], \overline{W}/R	0000, REG_ADR[11:8]	REG_ADR[7:0]	Data[7:0]

Table 28. Data Capture Register Write Format

Byte 0	Byte 1	Byte 2	Byte 3	Byte 4
CHIP_ADR[6:0], \overline{W}/R	0000, DATA_CAPTURE_ADR[11:8]	DATA_CAPTURE_ADR[7:0]	000, PROGCOUNT[10:6] ¹	PROGCOUNT[5:0], ¹ REGSEL[1:0] ²

¹ PROGCOUNT[10:0] is the value of the program counter when the data capture occurs (the table of values is generated by the SigmaStudio compiler).

² REGSEL[1:0] selects one of four registers (see the Address 2074 and Address 2075 (0X081A and 0X081B)—Data Capture Registers section).

Table 29. Data Capture (Control Port Readback) Register Read Format

Byte 0	Byte 1	Byte 2	Bytes[3:5]
CHIP_ADR[6:0], \overline{W}/R	0000, DATA_CAPTURE_ADR[11:8]	DATA_CAPTURE_ADR[7:0]	Data[23:0]

Table 30. Safeload Address Register Write Format

Byte 0	Byte 1	Byte 2	Byte 3	Byte 4
CHIP_ADR[6:0], \overline{W}/R	0000, SAFELOAD_ADR[11:8]	SAFEOLOAD_ADR[7:0]	000000, PARAM_ADR[9:8]	PARAM_ADR[7:0]

Table 31. Safeload Data Register Write Format

Byte 0	Byte 1	Byte 2	Byte 3	Byte 4	Bytes[5:7]
CHIP_ADR[6:0], \overline{W}/R	0000, SAFELOAD_ADR[11:8]	SAFEOLOAD_ADR[7:0]	00000000	0000, Data[27:24]	Data[23:0]

ADAU1401A

CONTROL REGISTER MAP

Blank cells within Table 32 indicate that control bits do not exist in the corresponding locations.

Table 32. Register Map

Register Address	No. of Bytes	Name	MSB																LSB		Default															
			D31	D30	D29	D28	D27	D26	D25	D24	D39	D38	D37	D36	D35	D34	D33	D32																		
Hex	Dec		D15	D14	D13	D12	D11	D10	D9	D8	D7	D6	D5	D4	D3	D2	D1	D0																		
0x0800	2048	4	Interface 0[31:16] Interface 0[15:0]	0	0	0	0	IF27	IF26	IF25	IF24	IF23	IF22	IF21	IF20	IF19	IF18	IF17	IF16	0x0000 0x0000																
0x0801	2049	4	Interface 1[31:16] Interface 1[15:0]	0	0	0	0	IF27	IF26	IF25	IF24	IF23	IF22	IF21	IF20	IF19	IF18	IF17	IF16	0x0000 0x0000																
0x0802	2050	4	Interface 2[31:16] Interface 2[15:0]	0	0	0	0	IF27	IF26	IF25	IF24	IF23	IF22	IF21	IF20	IF19	IF18	IF17	IF16	0x0000 0x0000																
0x0803	2051	4	Interface 3[31:16] Interface 3[15:0]	0	0	0	0	IF27	IF26	IF25	IF24	IF23	IF22	IF21	IF20	IF19	IF18	IF17	IF16	0x0000 0x0000																
0x0804	2052	4	Interface 4[31:16] Interface 4[15:0]	0	0	0	0	IF27	IF26	IF25	IF24	IF23	IF22	IF21	IF20	IF19	IF18	IF17	IF16	0x0000 0x0000																
0x0805	2053	4	Interface 5[31:16] Interface 5[15:0]	0	0	0	0	IF27	IF26	IF25	IF24	IF23	IF22	IF21	IF20	IF19	IF18	IF17	IF16	0x0000 0x0000																
0x0806	2054	4	Interface 6[31:16] Interface 6[15:0]	0	0	0	0	IF27	IF26	IF25	IF24	IF23	IF22	IF21	IF20	IF19	IF18	IF17	IF16	0x0000 0x0000																
0x0807	2055	4	Interface 7[31:16] Interface 7[15:0]	0	0	0	0	IF27	IF26	IF25	IF24	IF23	IF22	IF21	IF20	IF19	IF18	IF17	IF16	0x0000 0x0000																
0x0808	2056	2	GPIO pin setting	0	0	0	0	MP11	MP10	MP09	MP08	MP07	MP06	MP05	MP04	MP03	MP02	MP01	MP00	0x0000																
0x0809	2057	2	Auxiliary ADC Data 0	0	0	0	0	AA11	AA10	AA09	AA08	AA07	AA06	AA05	AA04	AA03	AA02	AA01	AA00	0x0000																
0x080A	2058	2	Auxiliary ADC Data 1	0	0	0	0	AA11	AA10	AA09	AA08	AA07	AA06	AA05	AA04	AA03	AA02	AA01	AA00	0x0000																
0x080B	2059	2	Auxiliary ADC Data 2	0	0	0	0	AA11	AA10	AA09	AA08	AA07	AA06	AA05	AA04	AA03	AA02	AA01	AA00	0x0000																
0x080C	2060	2	Auxiliary ADC Data 3	0	0	0	0	AA11	AA10	AA09	AA08	AA07	AA06	AA05	AA04	AA03	AA02	AA01	AA00	0x0000																
0x080D	2061	5	Reserved[39:32] Reserved[31:16] Reserved[15:0]	RSVD	RSVD	RSVD	RSVD	RSVD	RSVD	RSVD	RSVD	RSVD	RSVD	RSVD	RSVD	RSVD	RSVD	RSVD	RSVD	RSVD	0x00 0x0000 0x0000															
0x080E	2062	5	Reserved[39:32] Reserved[31:16] Reserved[15:0]	RSVD	RSVD	RSVD	RSVD	RSVD	RSVD	RSVD	RSVD	RSVD	RSVD	RSVD	RSVD	RSVD	RSVD	RSVD	RSVD	RSVD	0x00 0x0000 0x0000															
0x080F	2063	5	Reserved[39:32] Reserved[31:16] Reserved[15:0]	RSVD	RSVD	RSVD	RSVD	RSVD	RSVD	RSVD	RSVD	RSVD	RSVD	RSVD	RSVD	RSVD	RSVD	RSVD	RSVD	RSVD	0x00 0x0000 0x0000															
0x0810	2064	5	Safeload Data 0[39:32] Safeload Data 0[31:16] Safeload Data 0[15:0]	SD31	SD30	SD29	SD28	SD27	SD26	SD25	SD24	SD23	SD22	SD21	SD20	SD19	SD18	SD17	SD16	SD15	SD14	SD13	SD12	SD11	SD10	SD09	SD08	SD07	SD06	SD05	SD04	SD03	SD02	SD01	SD00	0x00 0x0000 0x0000
0x0811	2065	5	Safeload Data 1[39:32] Safeload Data 1[31:16] Safeload Data 1[15:0]	SD31	SD30	SD29	SD28	SD27	SD26	SD25	SD24	SD23	SD22	SD21	SD20	SD19	SD18	SD17	SD16	SD15	SD14	SD13	SD12	SD11	SD10	SD09	SD08	SD07	SD06	SD05	SD04	SD03	SD02	SD01	SD00	0x00 0x0000 0x0000
0x0812	2066	5	Safeload Data 2[39:32] Safeload Data 2[31:16] Safeload Data 2[15:0]	SD31	SD30	SD29	SD28	SD27	SD26	SD25	SD24	SD23	SD22	SD21	SD20	SD19	SD18	SD17	SD16	SD15	SD14	SD13	SD12	SD11	SD10	SD09	SD08	SD07	SD06	SD05	SD04	SD03	SD02	SD01	SD00	0x00 0x0000 0x0000
0x0813	2067	5	Safeload Data 3[39:32] Safeload Data 3[31:16] Safeload Data 3[15:0]	SD31	SD30	SD29	SD28	SD27	SD26	SD25	SD24	SD23	SD22	SD21	SD20	SD19	SD18	SD17	SD16	SD15	SD14	SD13	SD12	SD11	SD10	SD09	SD08	SD07	SD06	SD05	SD04	SD03	SD02	SD01	SD00	0x00 0x0000 0x0000
0x0814	2068	5	Safeload Data 4[39:32] Safeload Data 4[31:16] Safeload Data 4[15:0]	SD31	SD30	SD29	SD28	SD27	SD26	SD25	SD24	SD23	SD22	SD21	SD20	SD19	SD18	SD17	SD16	SD15	SD14	SD13	SD12	SD11	SD10	SD09	SD08	SD07	SD06	SD05	SD04	SD03	SD02	SD01	SD00	0x00 0x0000 0x0000
0x0815	2069	2	Safeload Address 0	0	0	0	0	SA11	SA10	SA09	SA08	SA07	SA06	SA05	SA04	SA03	SA02	SA01	SA00																	0x0000
0x0816	2070	2	Safeload Address 1	0	0	0	0	SA11	SA10	SA09	SA08	SA07	SA06	SA05	SA04	SA03	SA02	SA01	SA00																	0x0000
0x0817	2071	2	Safeload Address 2	0	0	0	0	SA11	SA10	SA09	SA08	SA07	SA06	SA05	SA04	SA03	SA02	SA01	SA00																	0x0000
0x0818	2072	2	Safeload Address 3	0	0	0	0	SA11	SA10	SA09	SA08	SA07	SA06	SA05	SA04	SA03	SA02	SA01	SA00																	0x0000
0x0819	2073	2	Safeload Address 4	0	0	0	0	SA11	SA10	SA09	SA08	SA07	SA06	SA05	SA04	SA03	SA02	SA01	SA00																	0x0000
0x081A	2074	2	Data Capture 0	0	0	0	0	PC09	PC08	PC07	PC06	PC05	PC04	PC03	PC02	PC01	PC00	RS01	RS00																0x0000	
0x081B	2075	2	Data Capture 1	0	0	0	0	PC09	PC08	PC07	PC06	PC05	PC04	PC03	PC02	PC01	PC00	RS01	RS00																0x0000	

Register Address		No. of Bytes	Name	MSB															LSB		Default															
Hex	Dec			D31	D30	D29	D28	D27	D26	D25	D24	D23	D22	D21	D20	D19	D18	D17	D16	D15		D14	D13	D12	D11	D10	D9	D8	D7	D6	D5	D4	D3	D2	D1	D0
0x081C	2076	2	DSP core control	RSVD	RSVD	GD1	GD0	RSVD	RSVD	RSVD	AACW	GPCW	IFCW	IST	ADM	DAM	CR	SR1	SR0																	0x0000
0x081D	2077	1	Reserved									RSVD	RSVD	RSVD	RSVD	RSVD	RSVD	RSVD	RSVD	RSVD															0x00	
0x081E	2078	2	Serial output control	0	0	OLRP	OBP	M/S	OBF1	OBF0	OLF1	OLF0	FST	TDM	MSB2	MSB1	MSB0	OWL1	OWL0																0x0000	
0x081F	2079	1	Serial input control									0	0	0	ILP	IBP	M2	M1	M0															0x00		
0x0820	2080	3	MP Pin Config. 0[23:16]									MP53	MP52	MP51	MP50	MP43	MP42	MP41	MP40															0x00		
			MP Pin Config. 0[15:0]	MP33	MP32	MP31	MP30	MP23	MP22	MP21	MP20	MP13	MP12	MP11	MP10	MP03	MP02	MP01	MP00															0x0000		
0x0821	2081	3	MP Pin Config. 1[23:16]									MP113	MP112	MP111	MP110	MP103	MP102	MP101	MP100																0x00	
			MP Pin Config. 1[15:0]	MP93	MP92	MP91	MP90	MP83	MP82	MP81	MP80	MP73	MP72	MP71	MP70	MP63	MP62	MP61	MP60															0x0000		
0x0822	2082	2	Auxiliary ADC and power control	RSVD	RSVD	RSVD	RSVD	RSVD	RSVD	FIL1	FIL0	AAPD	VBPD	VRPD	RSVD	DOPD	D1PD	D2PD	D3PD															0x0000		
0x0823	2083	2	Reserved	RSVD	RSVD	RSVD	RSVD	RSVD	RSVD	RSVD	RSVD	RSVD	RSVD	RSVD	RSVD	RSVD	RSVD	RSVD	RSVD															0x0000		
0x0824	2084	2	Auxiliary ADC enable	AAEN	RSVD	RSVD	RSVD	RSVD	RSVD	RSVD	RSVD	RSVD	RSVD	RSVD	RSVD	RSVD	RSVD	RSVD	RSVD															0x0000		
0x0825	2085	2	Reserved	RSVD	RSVD	RSVD	RSVD	RSVD	RSVD	RSVD	RSVD	RSVD	RSVD	RSVD	RSVD	RSVD	RSVD	RSVD	RSVD															0x0000		
0x0826	2086	2	Oscillator power-down	RSVD	RSVD	RSVD	RSVD	RSVD	RSVD	RSVD	RSVD	RSVD	RSVD	RSVD	RSVD	RSVD	RSVD	RSVD	RSVD	OPD														0x0000		
0x0827	2087	2	DAC setup	RSVD	RSVD	RSVD	RSVD	RSVD	RSVD	RSVD	RSVD	RSVD	RSVD	RSVD	RSVD	RSVD	RSVD	RSVD	RSVD	DS1	DS0													0x0000		

CONTROL REGISTER DETAILS

ADDRESS 2048 TO ADDRESS 2055 (0x0800 TO 0x0807)—INTERFACE REGISTERS

The interface registers are used in self-boot mode to save parameters that need to be written to the external EEPROM. The ADAU1401A then recalls these parameters from the EEPROM after the next reset or power-up. Therefore, system parameters such as volume and EQ settings can be saved during power-down and recalled the next time the system is turned on.

There are eight 32-bit interface registers, which allow eight 28-bit (plus zero-padding) parameters to be saved. The parameters to

be saved in these registers are selected in the graphical programming tools. These registers are updated with their corresponding parameter RAM data once per sample period.

An edge, which can be set to be either rising or falling, triggers the ADAU1401A to write the current contents of the interface registers to the EEPROM. See the Self-Boot section for details.

The user can write directly to the interface registers after the interface registers control port write mode bit (IFCW) in the DSP core control register has been set. In this mode, the data in the registers is written from the control port, not from the DSP core.

Table 33. Interface Registers Bit Map

D31	D30	D29	D28	D27	D26	D25	D24	D23	D22	D21	D20	D19	D18	D17	D16	
D15	D14	D13	D12	D11	D10	D9	D8	D7	D6	D5	D4	D3	D2	D1	D0	Default
0	0	0	0	IF27	IF26	IF25	IF24	IF23	IF22	IF21	IF20	IF19	IF18	IF17	IF16	0x0000
IF15	IF14	IF13	IF12	IF11	IF10	IF09	IF08	IF07	IF06	IF05	IF04	IF03	IF02	IF01	IF00	0x0000

Table 34. Interface Registers Bit Descriptions

Bit Name	Description
IF[27:0]	Interface register 28-bit parameter

ADDRESS 2056 (0x0808)—GPIO PIN SETTING REGISTER

This register allows the user to set the GPIO pins through the control port. High or low settings can be directly written to or

read from this register after setting the GPIO pin setting register control port write mode bit (GPCW) in the DSP core control register. This register is updated once every LRCLK frame (1/f_s).

Table 35. GPIO Pin Setting Register Bit Map

D15	D14	D13	D12	D11	D10	D9	D8	D7	D6	D5	D4	D3	D2	D1	D0	Default
0	0	0	0	MP11	MP10	MP09	MP08	MP07	MP06	MP05	MP04	MP03	MP02	MP01	MP00	0x0000

Table 36. GPIO Pin Setting Register Bit Descriptions

Bit Name	Description
MP[11:0]	Setting of the corresponding multipurpose pin when controlled through SPI or I ² C

ADAU1401A

ADDRESS 2057 TO ADDRESS 2060 (0x0809 TO 0x080C)—AUXILIARY ADC DATA REGISTERS

These registers hold the data generated by the 4-channel auxiliary ADC. The ADCs have eight bits of precision and can be extended to 12 bits if filtering is selected via Bits FIL[1:0] of the auxiliary ADC and power control register. The SigmaDSP program reads this data as a 1.11 format data-word with a range

of 0 to 1.0. This data-word is mapped to the 5.23 format parameter word with the four MSBs and 12 LSBs set to 0. A full-scale code of 255 results in a value of 1.0. These registers can be written to directly if the auxiliary ADC data registers control port write mode bit (AACW) is set in the DSP core control register.

Table 37. Auxiliary ADC Data Registers Bit Map

D15	D14	D13	D12	D11	D10	D9	D8	D7	D6	D5	D4	D3	D2	D1	D0	Default
0	0	0	0	AA11	AA10	AA09	AA08	AA07	AA06	AA05	AA04	AA03	AA02	AA01	AA00	0x0000

Table 38. Auxiliary ADC Data Registers Bit Descriptions

Bit Name	Description
AA[11:0]	Auxiliary ADC output data, MSB first

ADDRESS 2064 TO ADDRESS 2068 (0x0810 TO 0x0814)—SAFELOAD DATA REGISTERS

Many applications require real-time microcontroller control of signal processing parameters, such as filter coefficients, mixer gains, multichannel virtualizing parameters, or dynamics processing curves. When controlling a biquad filter, for example, all of the parameters must be updated at the same time. Doing so prevents the filter from executing with a mix of old and new coefficients for one or two audio frames, thus avoiding temporary instability and transients that may take a long time to decay. To accomplish this, the ADAU1401A uses safeload data registers to simultaneously load a set of five 28-bit values to the desired parameter RAM address. Five registers are used because a biquad filter uses five coefficients and, as previously mentioned, it is desirable to do a complete update in one transaction.

The first step in performing a safeload operation is writing the parameter address to one of the safeload address registers (Address 2069 to Address 2073). The 10-bit data-word to be written is the address in parameter RAM to which the safeload is being performed. After this address is written, the 28-bit data-word can be written to the corresponding safeload data register (Address 2064 to Address 2068).

The data formats for these writes are detailed in Table 30 and Table 31. Table 39 outlines how each of the five address registers maps to its corresponding data register.

After the address and data registers are loaded, set the initiate safeload transfer bit in the DSP core control register to initiate the loading into RAM. Each of the five safeload registers takes one of the 1024 core instructions to load into the parameter RAM. The total program lengths should, therefore, be limited to 1019 cycles (1024 minus 5) to ensure that the SigmaDSP core always has at least five cycles available. The safeload is guaranteed to occur within one LRCLK period (21 μs for a fs of 48 kHz) of the initiate safeload transfer bit being set.

The safeload logic automatically sends data to be loaded into RAM from only those safeload registers that have been written to since the last safeload operation. For example, if two parameters are to be updated in the RAM, only two of the five safeload registers must be written. When the initiate safeload transfer bit is asserted, only data from those two registers are sent to the RAM; the other three registers are not sent to the RAM and may hold old or invalid data.

Table 39. Safeload Address and Data Register Mapping

Safeload Register	Safeload Address Register	Safeload Data Register
Safeload Data 0	2069	2064
Safeload Data 1	2070	2065
Safeload Data 2	2071	2066
Safeload Data 3	2072	2067
Safeload Data 4	2073	2068

Table 40. Safeload Data Registers Bit Map

D31	D30	D29	D28	D27	D26	D25	D24	D39	D38	D37	D36	D35	D34	D33	D32	
D15	D14	D13	D12	D11	D10	D9	D8	D23	D22	D21	D20	D19	D18	D17	D16	Default
SD31	SD30	SD29	SD28	SD27	SD26	SD25	SD24	SD39	SD38	SD37	SD36	SD35	SD34	SD33	SD32	0x00
SD15	SD14	SD13	SD12	SD11	SD10	SD09	SD08	SD23	SD22	SD21	SD20	SD19	SD18	SD17	SD16	0x0000
								SD07	SD06	SD05	SD04	SD03	SD02	SD01	SD00	0x0000

Table 41. Safeload Data Registers Bit Descriptions

Bit Name	Description
SD[39:0]	Safeload data. Data (program, parameters, register contents) to be loaded into the RAMs or registers.

ADDRESS 2069 TO ADDRESS 2073 (0x0815 TO 0x0819)—SAFELOAD ADDRESS REGISTERS

Table 42. Safeload Address Registers Bit Map

D15	D14	D13	D12	D11	D10	D9	D8	D7	D6	D5	D4	D3	D2	D1	D0	Default
0	0	0	0	SA11	SA10	SA09	SA08	SA07	SA06	SA05	SA04	SA03	SA02	SA01	SA00	0x0000

Table 43. Safeload Address Registers Bit Descriptions

Bit Name	Description
SA[11:0]	Safeload address. Address of the data that is to be loaded into the RAMs or registers.

ADAU1401A

ADDRESS 2074 AND ADDRESS 2075 (0x081A AND 0x081B)—DATA CAPTURE REGISTERS

The ADAU1401A data capture feature allows the data at any node in the signal processing flow to be sent to one of two readable registers. This feature is useful for monitoring and displaying information about internal signal levels or compressor/limiter activity.

For each of the data capture registers, a capture count and a register select must be set. The capture count is an integer between 0 and 1023 that corresponds to the program step number where the capture is to occur. The register select field programs one of four registers in the DSP core, which transfers this information to the data capture register when the program counter reaches this step.

The captured data is in 5.19, twos complement data format, which comes from the internal 5.23 data-word with the four LSBs truncated.

The data that must be written to set up the data capture is a concatenation of the 10-bit program count index with the 2-bit register select field. The capture count and register select values that correspond to the desired point to be monitored in the signal processing flow can be found in a file output from the program compiler. The capture registers can be accessed by reading from Location 2074 and Location 2075. The format for writing and reading to the data capture registers is shown in Table 28 and Table 29.

Table 44. Data Capture Registers Bit Map

D15	D14	D13	D12	D11	D10	D9	D8	D7	D6	D5	D4	D3	D2	D1	D0	Default
0	0	0	0	PC09	PC08	PC07	PC06	PC05	PC04	PC03	PC02	PC01	PC00	RS01	RS00	0x0000

Table 45. Data Capture Registers Bit Descriptions

Bit Name	Description	
PC[9:0]	10-bit program counter address	
RS[1:0]	Select the register to be transferred to the data capture output	
	Settings	Function
	00	Select the Multiplier X input (MULT_X_INPUT) register
	01	Select the Multiplier Y input (MULT_Y_INPUT) register
	10	Select the multiplier-accumulator output (MAC_OUT) register
11	Select the accumulator feedback (ACCUM_FBACK) register	

ADDRESS 2076 (0x081C)—DSP CORE CONTROL REGISTER

Table 46. DSP Core Control Register Bit Map

D15	D14	D13	D12	D11	D10	D9	D8	D7	D6	D5	D4	D3	D2	D1	D0	Default
RSVD	RSVD	GD1	GD0	RSVD	RSVD	RSVD	AACW	GPCW	IFCW	IST	ADM	DAM	CR	SR1	SR0	0x0000

Table 47. DSP Core Control Register Bit Descriptions

Bit Name	Description
GD[1:0]	GPIO debounce control. Sets debounce time of multipurpose pins that are set as GPIO inputs.
	Settings
	Time (ms)
	00
	01
AACW	20
	40
	10
	11
AACW	Auxiliary ADC data registers control port write mode. Setting this bit allows data to be written directly to the auxiliary ADC data registers (Address 2057 to Address 2060) from the control port. When this bit is set, the auxiliary ADC data registers ignore the settings on the multipurpose pins.
GPCW	GPIO pin setting register control port write mode. When this bit is set, the GPIO pin setting register (Address 2056) can be written to directly from the control port and this register ignores the input settings on the multipurpose pins.
IFCW	Interface registers control port write mode. When this bit is set, data can be written directly to the interface registers (Address 2048 to Address 2055) from the control port. In this state, the interface registers are not written from the SigmaDSP program.
IST	Initiate safeload transfer. Setting this bit to 1 initiates a safeload transfer to the parameter RAM. This bit is automatically cleared when the operation is complete. There are five safeload register pairs (address/data); only those registers that have been written since the last safeload event are transferred to the parameter RAM.
ADM	Mute ADCs. This bit mutes the output of the ADCs. The bit defaults to 0 and is active low; therefore, it must be set to 1 to transmit audio signals from the ADCs.
DAM	Mute DACs. This bit mutes the output of the DACs. The bit defaults to 0 and is active low; therefore, it must be set to 1 to transmit audio signals from the DACs.
CR	Clear internal registers to 0. This bit defaults to 0 and is active low. It must be set to 1 for a signal to pass through the SigmaDSP core.
SR[1:0]	Sample rate. These bits set the number of DSP instructions for every sample and the sample rate at which the ADAU1401A operates. At the default setting of 1x, there are 1024 instructions per audio sample. This setting should be used with sample rates such as 48 kHz and 44.1 kHz.
	At the 2x setting, the number of instructions per frame is halved to 512 and the ADCs and DACs nominally run at a 96 kHz sample rate.
	At the 4x setting, there are 256 instructions per cycle and the converters run at a 192 kHz sample rate.
	Settings
	Function
00	1x (1024 instructions)
01	2x (512 instructions)
10	4x (256 instructions)
11	Reserved

ADAU1401A

ADDRESS 2078 (0x081E)—SERIAL OUTPUT CONTROL REGISTER

Table 48. Serial Output Control Register Bit Map

D15	D14	D13	D12	D11	D10	D9	D8	D7	D6	D5	D4	D3	D2	D1	D0	Default
0	0	OLRP	OBP	M/S	OBF1	OBF0	OLF1	OLF0	FST	TDM	MSB2	MSB1	MSB0	OWL1	OWL0	0x0000

Table 49. Serial Output Control Register Bit Descriptions

Bit Name	Description	
OLRP	OUTPUT_LRCLK polarity. When this bit is set to 0, the left-channel data is clocked when OUTPUT_LRCLK is low and the right-channel data is clocked when OUTPUT_LRCLK is high. When this bit is set to 1, the right-channel data is clocked when OUTPUT_LRCLK is low and the left-channel data is clocked when OUTPUT_LRCLK is high.	
OBP	OUTPUT_BCLK polarity. This bit controls on which bit clock edge the output data is clocked. Data changes on the falling edge of OUTPUT_BCLK when this bit is set to 0 and on the rising edge when this bit is set to 1.	
M/S	Master/slave. This bit sets whether the output port is a clock master or slave. The default setting is slave; on power-up, the OUTPUT_BCLK and OUTPUT_LRCLK pins are set as inputs until this bit is set to 1, at which time they become clock outputs.	
OBF[1:0]	OUTPUT_BCLK frequency (master mode only). When the output port is being used as a clock master, these bits set the frequency of the output bit clock, which is divided down from an internal $1024 \times f_s$ clock (49.152 MHz for a f_s of 48 kHz).	
	Settings	Function
	00	Internal clock/16
	01	Internal clock/8
	10	Internal clock/4
OLF[1:0]	OUTPUT_LRCLK frequency (master mode only). When the output port is used as a clock master, these bits set the frequency of the output word clock on the OUTPUT_LRCLK pin, which is divided down from an internal $1024 \times f_s$ clock (49.152 MHz for a f_s of 48 kHz).	
	Settings	Function
	00	Internal clock/1024
	01	Internal clock/512
	10	Internal clock/256
11	Reserved	
FST	Frame sync type. This bit sets the type of signal on the OUTPUT_LRCLK pin. When this bit is set to 0, the signal is a word clock with a 50% duty cycle; when this bit is set to 1, the signal is a pulse with a duration of one bit clock at the beginning of the data frame.	
TDM	TDM enable. Setting this bit to 1 changes the output port from four serial stereo outputs to a single 8-channel TDM output stream on the SDATA_OUT0 pin (MP6).	
MSB[2:0]	MSB position. These three bits set the position of the data's MSB with respect to the LRCLK edge. The data output of the ADAU1401A is always MSB first.	
	Settings	Function
	000	Delay by 1
	001	Delay by 0
	010	Delay by 8
	011	Delay by 12
	100	Delay by 16
	101	Reserved
	111	Reserved
OWL[1:0]	Output word length. These bits set the word length of the output data-word. All bits following the LSB are set to 0.	
	Settings	Function
	00	24 bits
	01	20 bits
	10	16 bits
11	Reserved	

ADDRESS 2079 (0x081F)—SERIAL INPUT CONTROL REGISTER

Table 50. Serial Input Control Register Bit Map

D7	D6	D5	D4	D3	D2	D1	D0	Default
0	0	0	ILP	IBP	M2	M1	M0	0x00

Table 51. Serial Input Control Register Bit Descriptions

Bit Name	Description																		
ILP	INPUT_LRCLK polarity. When this bit is set to 0, the left-channel data on the SDATA_INx pins is clocked when INPUT_LRCLK is low and the right-channel data is clocked when INPUT_LRCLK is high. When this bit is set to 1, the clocking of these channels is reversed. In TDM mode when this bit is set to 0, data is clocked in, starting with the next appropriate BCLK edge (set in Bit 3 of this register) after a falling edge on the INPUT_LRCLK pin. When this bit is set to 1 and the device is running in TDM mode, the input data is valid on the BCLK edge after a rising edge on the word clock (INPUT_LRCLK). INPUT_LRCLK can also operate with a pulse input, rather than a clock. In this case, the first edge of the pulse is used by the ADAU1401A to start the data frame. When this polarity bit is set to 0, a low pulse should be used; when the bit is set to 1, a high pulse should be used.																		
IBP	INPUT_BCLK polarity. This bit controls on which bit clock edge the input data changes and on which edge it is clocked. Data changes on the falling edge of INPUT_BCLK when this bit is set to 0 and on the rising edge when this bit is set to 1.																		
M[2:0]	<p>Serial input mode. These three bits control the data format that the input port expects to receive. Bit 3 and Bit 4 of this control register override the settings of Bits[2:0]; therefore, all five bits must be changed together for proper operation in some modes. The clock diagrams for these modes are shown in Figure 32, Figure 33, and Figure 34. Note that for left-justified and right-justified modes, the LRCLK polarity is high and then low, which is the opposite of the default setting for the ILP bit.</p> <p>When these bits are set to accept a TDM input, the ADAU1401A data starts after the edge defined by ILP. The ADAU1401A TDM data stream should be input on Pin SDATA_IN0. Figure 35 shows a TDM stream with a high-to-low triggered LRCLK and data changing on the falling edge of the BCLK. The ADAU1401A expects the MSB of each data slot to be delayed by one BCLK from the beginning of the slot, as it would in stereo I²S format. In TDM mode, Channel 0 to Channel 3 are in the first half of the frame, and Channel 4 to Channel 7 are in the second half. Figure 36 shows an example of a TDM stream running with a pulse word clock, which is used to interface to Analog Devices codecs in auxiliary mode. To work in this mode with either the input or output serial ports, set the ADAU1401A to begin the frame on the rising edge of LRCLK, to change data on the falling edge of BCLK, and to delay the MSB position from the start of the word clock by one BCLK.</p> <table border="1"> <thead> <tr> <th>Settings</th> <th>Function</th> </tr> </thead> <tbody> <tr> <td>000</td> <td>I²S</td> </tr> <tr> <td>001</td> <td>Left-justified</td> </tr> <tr> <td>010</td> <td>TDM</td> </tr> <tr> <td>011</td> <td>Right-justified, 24 bits</td> </tr> <tr> <td>100</td> <td>Right-justified, 20 bits</td> </tr> <tr> <td>101</td> <td>Right-justified, 18 bits</td> </tr> <tr> <td>110</td> <td>Right-justified, 16 bits</td> </tr> <tr> <td>111</td> <td>Reserved</td> </tr> </tbody> </table>	Settings	Function	000	I ² S	001	Left-justified	010	TDM	011	Right-justified, 24 bits	100	Right-justified, 20 bits	101	Right-justified, 18 bits	110	Right-justified, 16 bits	111	Reserved
Settings	Function																		
000	I ² S																		
001	Left-justified																		
010	TDM																		
011	Right-justified, 24 bits																		
100	Right-justified, 20 bits																		
101	Right-justified, 18 bits																		
110	Right-justified, 16 bits																		
111	Reserved																		

ADAU1401A

ADDRESS 2080 AND ADDRESS 2081 (0x0820 AND 0x0821)—MULTIPURPOSE PIN CONFIGURATION REGISTERS

Each multipurpose pin can be set to different functions from these registers (Address 2080 and Address 2081). The two 3-byte registers are broken up into 12 4-bit (nibble) sections that each

control a different MP pin. Table 54 lists the function of each nibble setting within the MP_x pin configuration registers. The MSB of each pin's 4-bit configuration inverts the input to or output from the pin. The internal pull-up resistor (approximately 15 kΩ) of each MP_x pin is enabled when it is set as a digital input (either a GPIO input or a serial data port input).

Table 52. Register 2080 Bit Map

D15	D14	D13	D12	D11	D10	D9	D8	D23 D7	D22 D6	D21 D5	D20 D4	D19 D3	D18 D2	D17 D1	D16 D0	Default
MP33	MP32	MP31	MP30	MP23	MP22	MP21	MP20	MP53 MP13	MP52 MP12	MP51 MP11	MP50 MP10	MP43 MP03	MP42 MP02	MP41 MP01	MP40 MP00	0x00 0x0000

Table 53. Register 2081 Bit Map

D15	D14	D13	D12	D11	D10	D9	D8	D23 D7	D22 D6	D21 D5	D20 D4	D19 D3	D18 D2	D17 D1	D16 D0	Default
MP93	MP92	MP91	MP90	MP83	MP82	MP81	MP80	MP113 MP73	MP112 MP72	MP111 MP71	MP110 MP70	MP103 MP63	MP102 MP62	MP101 MP61	MP100 MP60	0x00 0x0000

Table 54. Multipurpose Pin Configuration Registers Bit Descriptions

Bit Name	Description																																		
MP _x [3:0]	Set the function of each multipurpose pin.																																		
	<table border="1"> <thead> <tr> <th>Settings</th><th>Function</th></tr> </thead> <tbody> <tr><td>1111</td><td>Auxiliary ADC input (see Table 63)</td></tr> <tr><td>1110</td><td>Reserved</td></tr> <tr><td>1101</td><td>Reserved</td></tr> <tr><td>1100</td><td>Serial data port—inverted (see Table 65)</td></tr> <tr><td>1011</td><td>Open-collector output—inverted</td></tr> <tr><td>1010</td><td>GPIO output—inverted</td></tr> <tr><td>1001</td><td>GPIO input, no debounce—inverted</td></tr> <tr><td>1000</td><td>GPIO input, debounce—inverted</td></tr> <tr><td>0111</td><td>N/A</td></tr> <tr><td>0110</td><td>Reserved</td></tr> <tr><td>0101</td><td>Reserved</td></tr> <tr><td>0100</td><td>Serial data port (see Table 65)</td></tr> <tr><td>0011</td><td>Open-collector output</td></tr> <tr><td>0010</td><td>GPIO output</td></tr> <tr><td>0001</td><td>GPIO input, no debounce</td></tr> <tr><td>0000</td><td>GPIO input, debounce</td></tr> </tbody> </table>	Settings	Function	1111	Auxiliary ADC input (see Table 63)	1110	Reserved	1101	Reserved	1100	Serial data port—inverted (see Table 65)	1011	Open-collector output—inverted	1010	GPIO output—inverted	1001	GPIO input, no debounce—inverted	1000	GPIO input, debounce—inverted	0111	N/A	0110	Reserved	0101	Reserved	0100	Serial data port (see Table 65)	0011	Open-collector output	0010	GPIO output	0001	GPIO input, no debounce	0000	GPIO input, debounce
Settings	Function																																		
1111	Auxiliary ADC input (see Table 63)																																		
1110	Reserved																																		
1101	Reserved																																		
1100	Serial data port—inverted (see Table 65)																																		
1011	Open-collector output—inverted																																		
1010	GPIO output—inverted																																		
1001	GPIO input, no debounce—inverted																																		
1000	GPIO input, debounce—inverted																																		
0111	N/A																																		
0110	Reserved																																		
0101	Reserved																																		
0100	Serial data port (see Table 65)																																		
0011	Open-collector output																																		
0010	GPIO output																																		
0001	GPIO input, no debounce																																		
0000	GPIO input, debounce																																		

ADDRESS 2082 (0x0822)—AUXILIARY ADC AND POWER CONTROL REGISTER

Table 55. Auxiliary ADC and Power Control Register Bit Map

D15	D14	D13	D12	D11	D10	D9	D8	D7	D6	D5	D4	D3	D2	D1	D0	Default
RSVD	RSVD	RSVD	RSVD	RSVD	RSVD	FIL1	FIL0	AAPD	VBPD	VRPD	RSVD	D0PD	D1PD	D2PD	D3PD	0x0000

Table 56. Auxiliary ADC and Power Control Register Bit Descriptions

Bit Name	Description	
FIL[1:0]	Auxiliary ADC filtering	
	Settings	Function
	00	4-bit hysteresis (12-bit level)
	01	5-bit hysteresis (12-bit level)
	10	Filter and hysteresis bypassed
	11	Low-pass filter bypassed
AAPD	ADC power-down (both ADCs)	
VBPD	Voltage reference buffer power-down	
VRPD	Voltage reference power-down	
D0PD	DAC0 power-down	
D1PD	DAC1 power-down	
D2PD	DAC2 power-down	
D3PD	DAC3 power-down	

ADDRESS 2084 (0x0824)—AUXILIARY ADC ENABLE REGISTER

Table 57. Auxiliary ADC Enable Register Bit Map

D15	D14	D13	D12	D11	D10	D9	D8	D7	D6	D5	D4	D3	D2	D1	D0	Default
AAEN	RSVD	RSVD	RSVD	RSVD	RSVD	RSVD	RSVD	RSVD	RSVD	RSVD	RSVD	RSVD	RSVD	RSVD	RSVD	0x0000

Table 58. Auxiliary ADC Enable Register Bit Descriptions

Bit Name	Description
AAEN	Enable the auxiliary ADC

ADDRESS 2086 (0x0826)—OSCILLATOR POWER-DOWN REGISTER

Table 59. Oscillator Power-Down Register Bit Map

D15	D14	D13	D12	D11	D10	D9	D8	D7	D6	D5	D4	D3	D2	D1	D0	Default
RSVD	RSVD	RSVD	RSVD	RSVD	RSVD	RSVD	RSVD	RSVD	RSVD	RSVD	RSVD	RSVD	OPD	RSVD	RSVD	0x0000

Table 60. Oscillator Power-Down Register Bit Descriptions

Bit Name	Description
OPD	Oscillator power-down. Powers down the oscillator.

ADDRESS 2087 (0x0827)—DAC SETUP REGISTER

To properly initialize the DACs, Bits DS[1:0] in this register should be set to 01.

Table 61. DAC Setup Register Bit Map

D15	D14	D13	D12	D11	D10	D9	D8	D7	D6	D5	D4	D3	D2	D1	D0	Default
RSVD	RSVD	RSVD	RSVD	RSVD	RSVD	RSVD	RSVD	RSVD	RSVD	RSVD	RSVD	RSVD	RSVD	DS1	DS0	0x0000

Table 62. DAC Setup Register Bit Descriptions

Bit Name	Description	
DS[1:0]	DAC setup.	
	Settings	Function
	00	Reserved
	01	Initialize DACs
	10	Reserved
	11	Reserved

MULTIPURPOSE PINS

The ADAU1401A has 12 multipurpose (MP) pins that can be individually programmed to be used as serial data inputs, serial data outputs, digital control inputs to and outputs from the SigmaDSP core, or inputs to the 4-channel auxiliary ADC. These pins allow the ADAU1401A to be used with external ADCs and DACs. They also use analog or digital inputs to control settings such as volume control or use output digital signals to drive LED indicators. Every MP pin has an internal 15 kΩ pull-up resistor.

AUXILIARY ADC

The ADAU1401A has a 4-channel, 8-bit auxiliary ADC that can be used in conjunction with a potentiometer to control volume, tone, or other parameter settings in the DSP program. Each of the four channels is sampled at the audio sampling frequency (f_s). Full-scale input on this ADC is 3.0 V, thus the step size is approximately 12 mV (3.0 V/256 steps). The input resistance of the ADC is approximately 30 kΩ. Table 63 indicates which four MP pins are mapped to the four channels of the auxiliary ADC. The auxiliary ADC is enabled for those pins by writing 1111 to the appropriate portion of the multipurpose pin configuration registers.

The auxiliary ADC is turned on by setting the AAEN bit of the auxiliary ADC enable register (see Table 58).

Noise on the ADC input can cause the digital output to constantly change by a few LSBs. If the auxiliary ADC is used to control volume, this constant change causes small gain fluctuations. To avoid this, add a low-pass filter or hysteresis to the auxiliary ADC signal path by enabling either function in the auxiliary ADC and power control register (Address 2082), as described in Table 56. The filter is enabled by default when the auxiliary ADC is enabled. When data is read from the auxiliary ADC registers, two bytes (12 bits of data, plus zero-padded LSBs) are available because of this filtering.

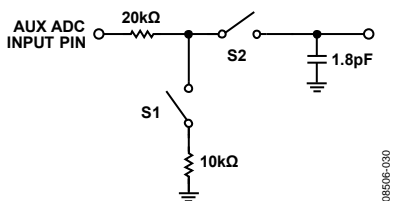


Figure 31. Auxiliary ADC Input Circuit

Figure 31 shows the input circuit for the auxiliary ADC. Switch S1 enables the auxiliary ADC and is set by Bit 15 (AAEN) of the auxiliary ADC enable register. The sampling switch, S2, operates at the audio sampling frequency.

The auxiliary ADC data registers can be written to directly after AACW has been set in the DSP core control register. In this mode, the voltages on the analog inputs are not written into the registers, but rather the data in the registers is written from the control port.

PVDD supplies the 3.3 V power for the auxiliary ADC analog input. The digital core of the auxiliary ADC is powered by the 1.8 V DVDD signal.

Table 63. Multipurpose Pin Auxiliary ADC Mapping

Multipurpose Pin	Function
MP0	N/A
MP1	N/A
MP2	ADC1
MP3	ADC2
MP4	N/A
MP5	N/A
MP6	N/A
MP7	N/A
MP8	ADC3
MP9	ADC0
MP10	N/A
MP11	N/A

GENERAL-PURPOSE INPUT/OUTPUT PINS

The general-purpose input/output (GPIO) pins can be used as inputs or outputs. These pins are readable and can be set either through the control interface or directly by the SigmaDSP core. When set as inputs, these pins can be used with push-button switches or rotary encoders to control DSP program settings. Digital outputs can be used to drive LEDs or external logic to indicate the status of internal signals and control other devices. Examples of this use include indicating signal overload, signal present, and confirmation of pressing a button.

When set as an output, each pin can typically drive 2 mA. This is enough current to directly drive some high efficiency LEDs. Standard LEDs require about 20 mA of current and can be driven from a GPIO output with an external transistor or buffer. Because of issues that may arise from simultaneously driving or sinking a large current on many pins, care should be taken in the application design to avoid connecting high efficiency LEDs directly to many or all of the MPx pins. If many LEDs are required, use an external driver.

When the GPIO pins are set as open-collector outputs, they should be pulled up to a maximum voltage of 3.3 V (the voltage on IOVDD).

SERIAL DATA INPUT/OUTPUT PORTS

The flexible serial data input and output ports of the ADAU1401A can be set to accept or transmit data in 2-channel format or in an 8-channel TDM stream. Data is processed in twos complement, MSB-first format. The left-channel data field always precedes the right-channel data field in the 2-channel streams. In TDM mode, Slot 0 to Slot 3 are in the first half of the audio frame, and Slot 4 to Slot 7 are in the second half of the frame. TDM mode allows fewer multipurpose pins to be used, freeing more pins for other functions. The serial modes are set in the serial output and serial input control registers.

The serial data clocks must be synchronous with the ADAU1401A master clock input. The serial input control register allows control of

clock polarity and data input modes. The valid data formats are I²S, left-justified, right-justified (24-/20-/18-/16-bit), and 8-channel TDM. In all modes except for the right-justified modes, the serial port accepts an arbitrary number of bits up to a limit of 24. Extra bits do not cause an error, but are truncated internally. Proper operation of the right-justified modes requires that there be exactly 64 BCLKs per audio frame. The TDM data is input on SDATA_IN0. The LRCLK in TDM mode can be input to the ADAU1401A either as a 50/50 duty cycle clock or as a bit-wide pulse.

In TDM mode, the ADAU1401A can be a master for 48 kHz and 96 kHz data, but not for 192 kHz data. Table 64 lists the modes in which the serial output port can function.

Table 64. Serial Output Port Master/Slave Mode Capabilities

f_s	2-Channel Modes (I²S, Left Justified, Right Justified)	8-Channel TDM
48 kHz	Master and slave	Master and slave
96 kHz	Master and slave	Master and slave
192 kHz	Master and slave	Slave only

The serial input and output control registers allow the user to control clock polarities, clock frequencies, clock types, and data format. In all modes except for the right-justified modes (MSB delayed by 8, 12, or 16 bits), the serial port accepts an arbitrary number of bits up to a limit of 24. Extra bits do not cause an error, but are truncated internally. Proper operation of the right-justified modes requires the LSB to align with the edge of the LRCLK. The default settings of all serial port control registers correspond to 2-channel I²S mode. All register settings apply to both master and slave modes unless otherwise noted.

The function of each multipurpose pin in serial data port mode is shown in Table 65. Pin MP0 to Pin MP5 support digital data input to the ADAU1401A, and Pin MP6 to Pin MP11 handle digital data output from the DSP. The configuration of the serial data input port is set in the serial input control register (see Table 51), and the configuration of the corresponding output port is controlled with the serial output control register (see Table 49). The

clocks of the input port function only as slaves, whereas the output port clocks can be set to function as either masters or slaves. The MP4 (INPUT_LRCLK) and MP5 (INPUT_BCLK) pins are used to clock the SDATA_INx (MP0 to MP3) signals, and the MP10 (OUTPUT_LRCLK) and MP11 (OUTPUT_BCLK) pins are used to clock the SDATA_OUTx (MP6 to MP9) signals.

If an external ADC is connected as a slave to the ADAU1401A, use both the input and output port clocks. The MP10 (OUTPUT_LRCLK) and MP11 (OUTPUT_BCLK) pins must be set to master mode and be connected externally to the MP4 (INPUT_LRCLK) and MP5 (INPUT_BCLK) pins, as well as to the external ADC clock input pins. The data is output from the external ADC into the SigmaDSP on the MP0, MP1, MP2, or MP3 (SDATA_INx) pin.

Connections to an external DAC are handled exclusively by the output port pins. The MP10 (OUTPUT_LRCLK) and MP11 (OUTPUT_BCLK) pins can be set to function as either masters or slaves, and the MP6 to MP9 (SDATA_OUTx) pins are used to output data from the SigmaDSP to the external DAC.

Table 66 describes the proper configurations for standard audio data formats.

Table 65. Multipurpose Pin Serial Data Port Functions

Multipurpose Pin	Function
MP0	SDATA_IN0/TDM_IN
MP1	SDATA_IN1
MP2	SDATA_IN2
MP3	SDATA_IN3
MP4	INPUT_LRCLK (slave only)
MP5	INPUT_BCLK (slave only)
MP6	SDATA_OUT0/TDM_OUT
MP7	SDATA_OUT1
MP8	SDATA_OUT2
MP9	SDATA_OUT3
MP10	OUTPUT_LRCLK (master or slave)
MP11	OUTPUT_BCLK (master or slave)

Table 66. Data Format Configurations

Format	LRCLK Polarity	LRCLK Type	BCLK Polarity	MSB Position
I ² S (see Figure 32)	Frame begins on falling edge	Clock	Data changes on falling edge	Delayed from LRCLK edge by 1 BCLK
Left-Justified (see Figure 33)	Frame begins on rising edge	Clock	Data changes on falling edge	Aligned with LRCLK edge
Right-Justified (see Figure 34)	Frame begins on rising edge	Clock	Data changes on falling edge	Delayed from LRCLK edge by 8, 12, or 16 BCLKs
TDM with Clock (see Figure 35)	Frame begins on falling edge	Clock	Data changes on falling edge	Delayed from start of word clock by 1 BCLK
TDM with Pulse (see Figure 36)	Frame begins on rising edge	Pulse	Data changes on falling edge	Delayed from start of word clock by 1 BCLK

ADAU1401A

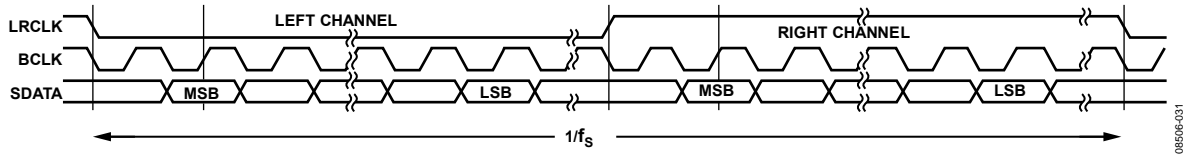


Figure 32. I²S Mode—16 Bits to 24 Bits per Channel

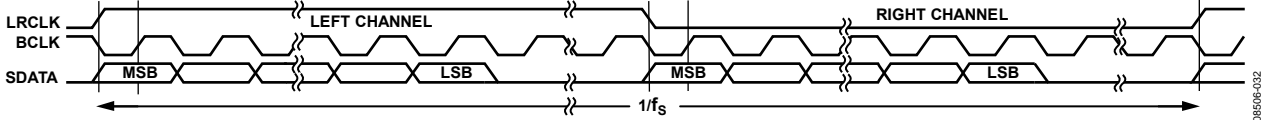


Figure 33. Left-Justified Mode—16 Bits to 24 Bits per Channel

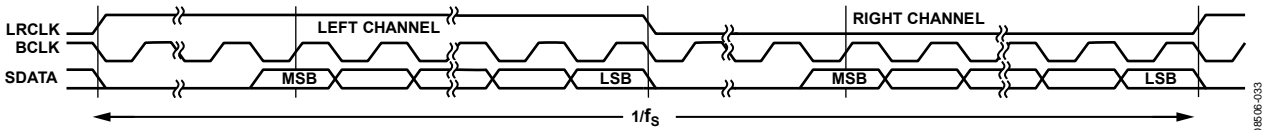


Figure 34. Right-Justified Mode—16 Bits to 24 Bits per Channel

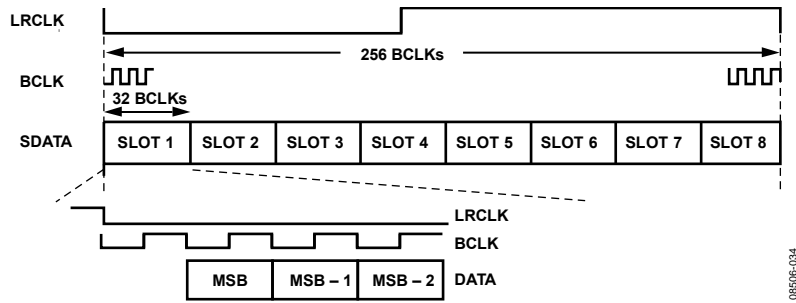


Figure 35. TDM Mode

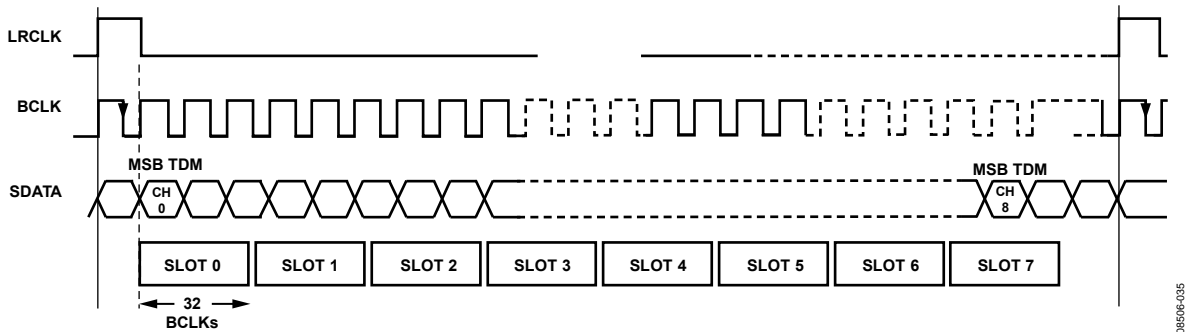


Figure 36. TDM Mode with Pulse Word Clock

LAYOUT RECOMMENDATIONS

PARTS PLACEMENT

The ADC input voltage-to-current resistors and the ADC current set resistor should be placed as close as possible to the 2, 3, and 4 input pins.

All 100 nF bypass capacitors, which are recommended for every analog, digital, and PLL power/ground pair, should be placed as close as possible to the ADAU1401A. The 3.3 V and 1.8 V signals on the board should also each be bypassed with a single bulk capacitor (10 μ F to 47 μ F).

All traces in the crystal oscillator circuit (see Figure 14) should be kept as short as possible to minimize stray capacitance. In addition, avoid long board traces connected to any of these components because such traces may affect crystal startup and operation.

GROUNDING

A single ground plane should be used in the application layout. Components in an analog signal path should be placed away from digital signals.

ADAU1401A

TYPICAL APPLICATION SCHEMATICS

SELF-BOOT MODE

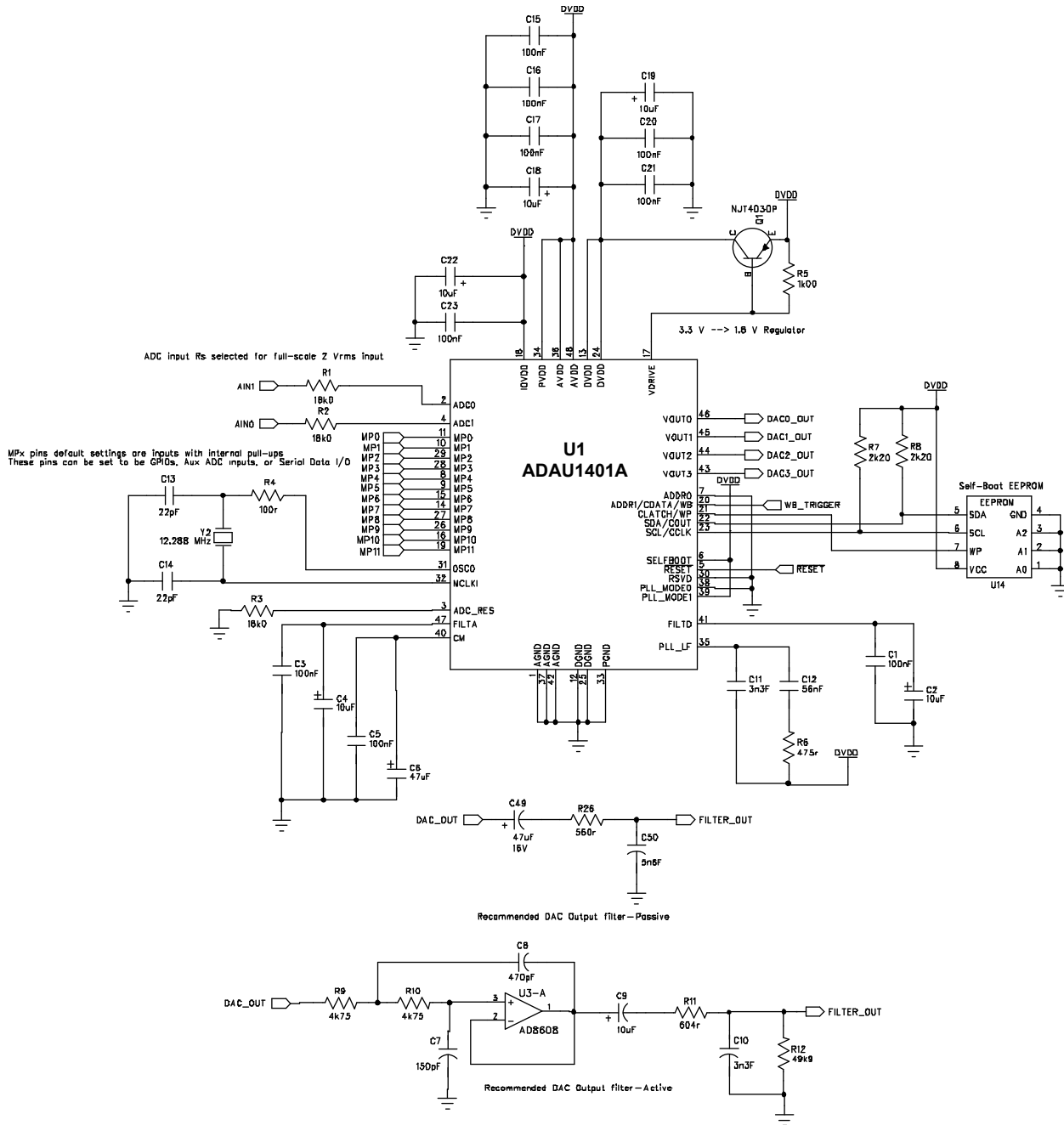


Figure 37. Self-Boot Mode Schematic

085506-036

I²C CONTROL

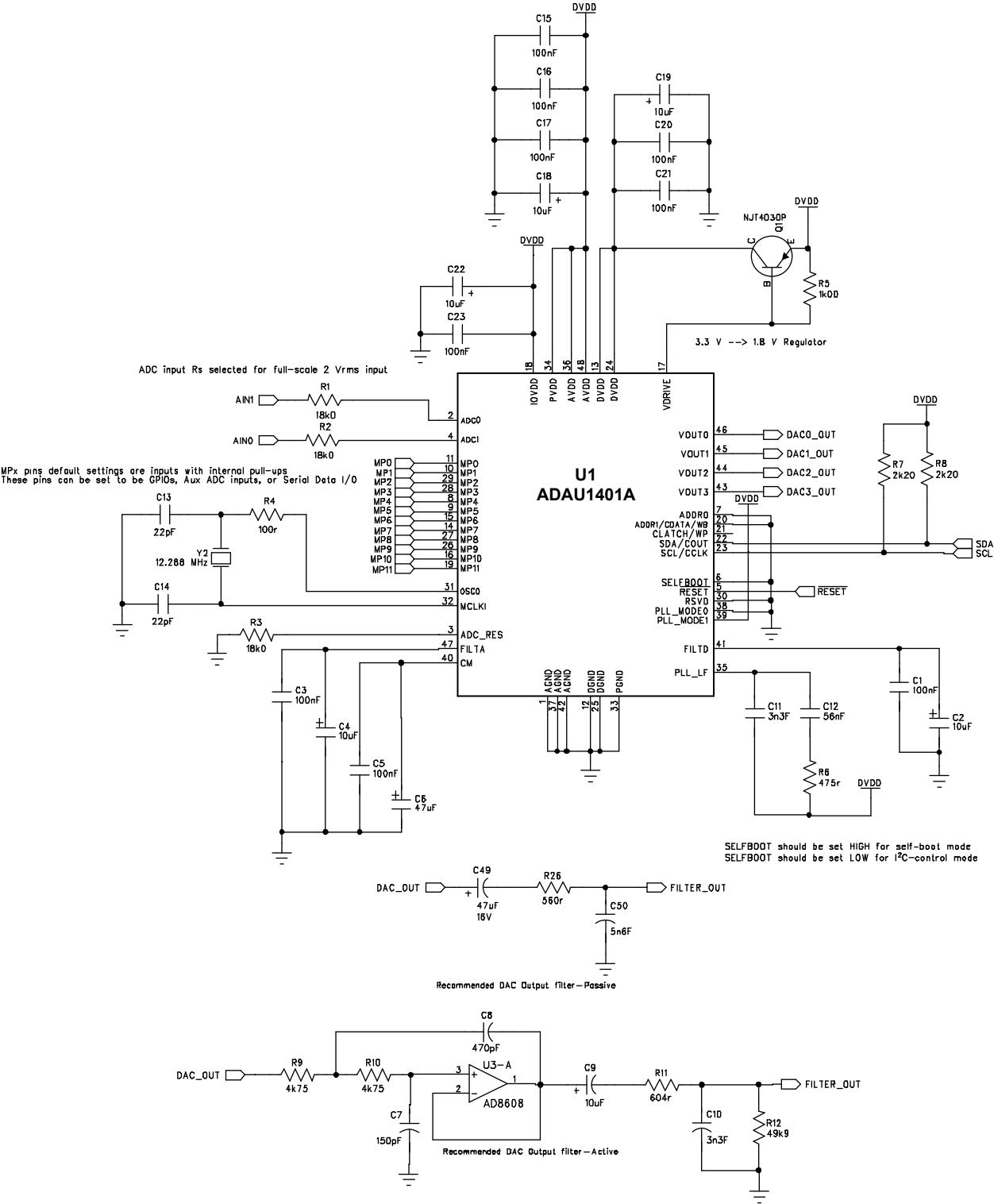


Figure 38. I²C Control Schematic

08606-037

ADAU1401A

SPI CONTROL

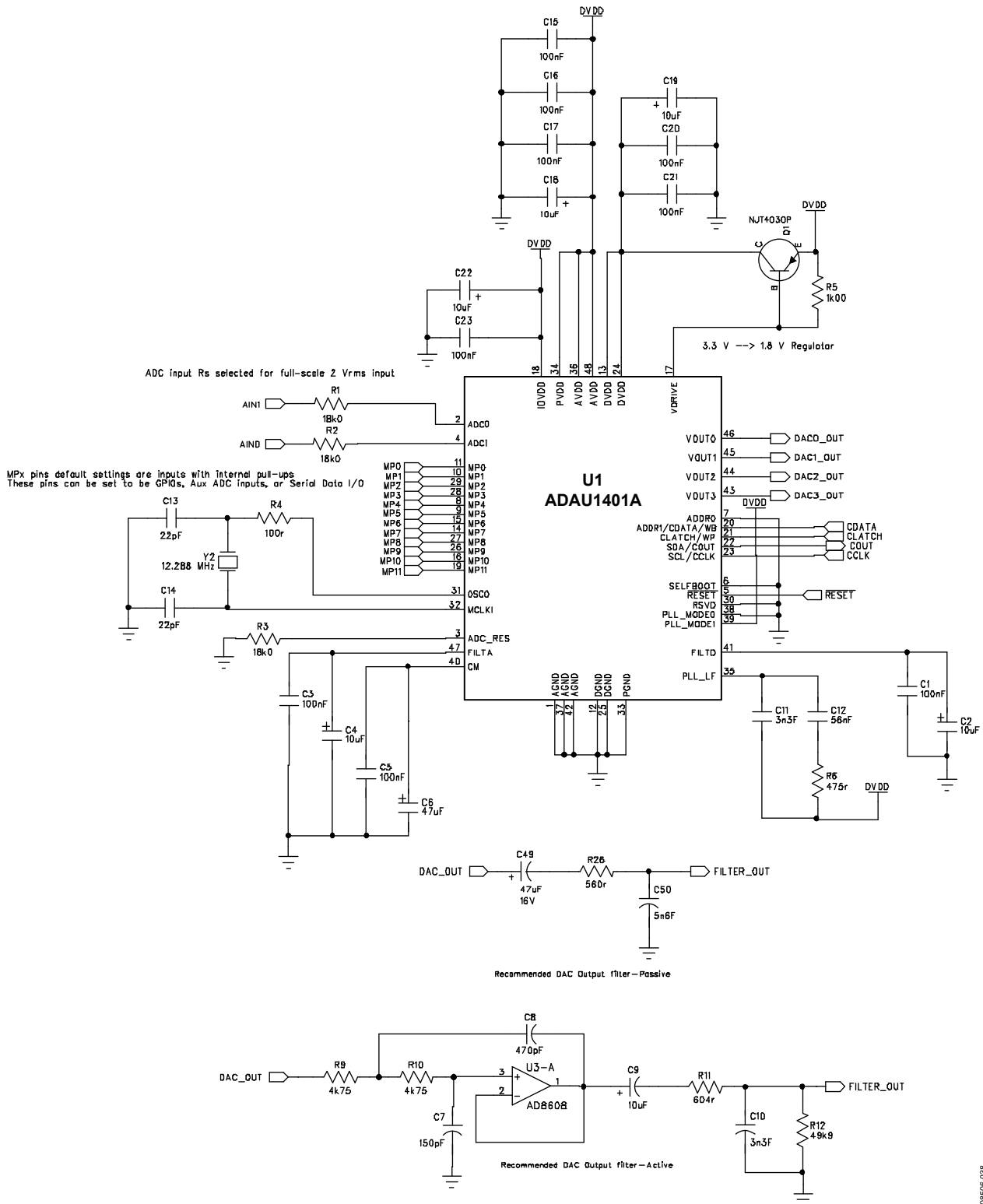
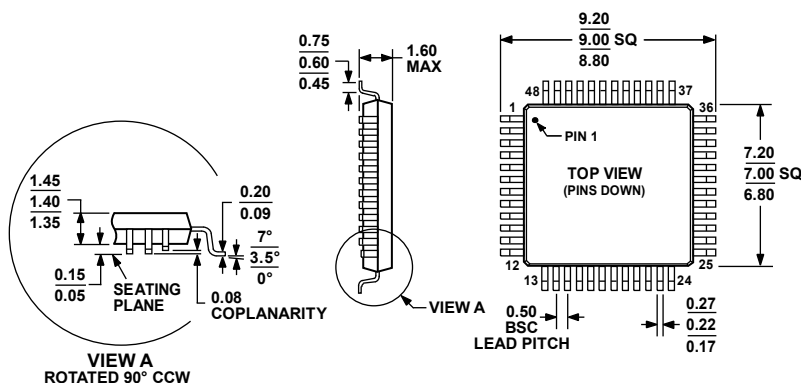


Figure 39. SPI Control Schematic

08506-038

OUTLINE DIMENSIONS



COMPLIANT TO JEDEC STANDARDS MS-026-BBC

Figure 40. 48-Lead Low Profile Quad Flat Package [LQFP] (ST-48)

Dimensions shown in millimeters

061706-A

ORDERING GUIDE

Model ^{1, 2}	Temperature Range	Package Description	Package Option
ADAU1401AWBSTZ	-40°C to +105°C	48-Lead LQFP	ST-48
ADAU1401AWBSTZ-RL	-40°C to +105°C	48-Lead LQFP in 13" Tape and Reel	ST-48
EVAL-ADAU1401EBZ		Evaluation Board	

¹ Z = RoHS Compliant Part.

² W = Qualified for Automotive Applications.

AUTOMOTIVE PRODUCTS

The ADAU1401AWBSTZ and ADAU1401AWBSTZ-RL models are available with controlled manufacturing to support the quality and reliability requirements of automotive applications. Note that these automotive models may have specifications that differ from the commercial models; therefore, designers should review the Specifications section of this data sheet carefully. Only the automotive grade products shown are available for use in automotive applications. Contact your Analog Devices account representative for specific product ordering information and to obtain the specific Automotive Reliability reports for these models.

NOTES

I²C refers to a communications protocol originally developed by Philips Semiconductors (now NXP Semiconductors).

Компания «Океан Электроники» предлагает заключение долгосрочных отношений при поставках импортных электронных компонентов на взаимовыгодных условиях!

Наши преимущества:

- Поставка оригинальных импортных электронных компонентов напрямую с производств Америки, Европы и Азии, а так же с крупнейших складов мира;
- Широкая линейка поставок активных и пассивных импортных электронных компонентов (более 30 млн. наименований);
- Поставка сложных, дефицитных, либо снятых с производства позиций;
- Оперативные сроки поставки под заказ (от 5 рабочих дней);
- Экспресс доставка в любую точку России;
- Помощь Конструкторского Отдела и консультации квалифицированных инженеров;
- Техническая поддержка проекта, помощь в подборе аналогов, поставка прототипов;
- Поставка электронных компонентов под контролем ВП;
- Система менеджмента качества сертифицирована по Международному стандарту ISO 9001;
- При необходимости вся продукция военного и аэрокосмического назначения проходит испытания и сертификацию в лаборатории (по согласованию с заказчиком);
- Поставка специализированных компонентов военного и аэрокосмического уровня качества (Xilinx, Altera, Analog Devices, Intersil, Interpoint, Microsemi, Actel, Aeroflex, Peregrine, VPT, Syfer, Eurofarad, Texas Instruments, MS Kennedy, Miteq, Cobham, E2V, MA-COM, Hittite, Mini-Circuits, General Dynamics и др.);

Компания «Океан Электроники» является официальным дистрибьютором и эксклюзивным представителем в России одного из крупнейших производителей разъемов военного и аэрокосмического назначения «JONHON», а так же официальным дистрибьютором и эксклюзивным представителем в России производителя высокотехнологичных и надежных решений для передачи СВЧ сигналов «FORSTAR».



JONHON

«JONHON» (основан в 1970 г.)

Разъемы специального, военного и аэрокосмического назначения:

(Применяются в военной, авиационной, аэрокосмической, морской, железнодорожной, горно- и нефтедобывающей отраслях промышленности)

«FORSTAR» (основан в 1998 г.)

ВЧ соединители, коаксиальные кабели, кабельные сборки и микроволновые компоненты:

(Применяются в телекоммуникациях гражданского и специального назначения, в средствах связи, РЛС, а так же военной, авиационной и аэрокосмической отраслях промышленности).



Телефон: 8 (812) 309-75-97 (многоканальный)

Факс: 8 (812) 320-03-32

Электронная почта: ocean@oceanchips.ru

Web: <http://oceanchips.ru/>

Адрес: 198099, г. Санкт-Петербург, ул. Калинина, д. 2, корп. 4, лит. А