

DESCRIPTION

Demonstration circuit 671 provides a complete IEEE 802.3af interface and isolated 3.3V power supply solution for use in PD Phone applications. The LTC[®]4257 performs signature, classification, and power interface functions to switch power to a 48V to 3.3V isolated Flyback converter featuring the LT1737.

The LTC4257-1 simplifies Powered Device (PD) design by incorporating the 25k Ω signature resistor, classification current source, inrush current limit, under-voltage lockout, thermal current limit, and power good signaling, all in a single 8-pin package. The LT1737 provides efficient conversion from 48V to 3.3V.

Design files for this circuit board are available. Call the LTC factory.

LTC is a trademark of Linear Technology Corporation

Table 1. Typical Performance Summary

PARAMETER	CONDITION	VALUE
Maximum Turn On Voltage	PD Power Up	42V
Minimum Turn Off Voltage	PD Power Down	30V
Minimum Operating Input Voltage	In from PSE	36V
Maximum Operating Input Voltage	In from PSE	57V
Maximum Input Power	In from PSE	12.95W
Maximum Input Current	In from PSE, $V_{in} = 37V$	350mA
	In from PSE, $V_{in} = 57V$	230mA
Maximum Output Current	$V_{in} = 37V$	3.3A
Output Voltage V_{OUT}		3.3V \pm 2%

QUICK START PROCEDURE

Demonstration circuit 671 connects to a PSE for quick evaluation of the LTC4257-1 with the LT1737. Refer to Figure 1 for proper measurement equipment setup and follow the procedure below:

1. Set JP1 to a selected PD Class of 0 through 4.
2. Set JP2 to Enable to enable the LTC4257-1.
3. Connect a 0 to 3.3A load and meters to the VOUT pins.
4. Connect with an Ethernet cable from an IEEE802.3af compliant PSE to J2.

OPERATION

Demonstration circuit 671 interfaces with a customer's Power-Over-Ethernet test setup per Figure 1. The front end of the demo circuit implements required Ethernet transformer coupling via transformer T2. Common-mode termination (R1, R2, R30, R31) is provided along with a 2KV capacitor (C2). The demo circuit is setup to allow data to pass in and back out of the demo circuit while the DC671 performs IEEE 802.3af interface functions. The Power Sourcing Equipment (PSE) is connected to J2 and the PHY is optionally connected to J1.

Schottky diodes used in a diode bridge configuration on the input signal lines and the spare lines on the front end allows the PD to meet the auto-polarity requirements of IEEE802.3af. Because of the smaller voltage drop than standard diodes, they also provide higher efficiency than typical diode bridges.

The PD is required to have 0.1uF of capacitance during detection and this is provided by C11. It is also required to have at least 5uF of capacitance after the in-rush circuit, provided by capacitors C7, C8 and C15.

This demo circuit allows detection and power classification of the PD per the IEEE 802.3af specification. During the detection process of a PD, the LTC4257-1 displays the proper 25kΩ signature resistor. A current source is implemented within the LTC4257-1 and is programmed by the selection of a single external resistor. The class 0-4 current sources can easily be set in this demo circuit with the placement of a single jumper on JP1.

After detection and classification, the PD is powered up. When the voltage exceeds the LTC4257-1 turn-on UVLO, power is switched over to the switching regulator. The Power Good output pulls active low to signal to the LT1737 to begin operation. This allows for the capacitors to be charged first before the regulator starts to avoid exceeding the limited inrush current.

For the PD to remain powered on, it must present to the PSE both AC and DC components of the Maintain

Power Signature (MPS). The LTC4257-1 holds its 25k signature resistance to satisfy the AC MPS. However, the PD must hold the DC MPS by drawing at least 10mA or the PSE may disconnect power. This demonstration circuit draws more than 10mA when on. Therefore an IEEE compliant PSE would maintain power after detection due to the DC load current.

JP2 enables or disables the LTC4257-1 functions and 25kΩ signature resistance.

The synchronous Flyback converter operates at a nominal switching frequency of 200kHz, controlled by the LT1737. Galvanic isolation is met with transformers T1 and T3. C23 is used as a local bypass to reduce common-mode currents.

The primary side power path is comprised of T1, Q3, R15, and C8. These components should be as close as possible when laying out the printed circuit board. Power is transferred during the off time of Q3. Q6 is the secondary synchronous rectifier. C4 to C6 form the secondary output filter. L1, C7, and C8 form the primary input filter. An auxiliary winding on T1 performs two functions: it provides output feedback information and supplies bias voltage to the LT1737. A driver, comprised of Q7 and Q8, synchronizes with the LT1737 via T3 to provide gate drive to the secondary switching MOSFET. The output voltage can be modified with the selection of R13 and R23.

The maximum input power of a PD is 12.95W. IEEE802.3af specifies that at 37V, the steady-state input current to a PD is limited to a maximum of 350mA and the designer must insure their PD does not draw more than this amount while in the highest power mode. To avoid an over-current situation (350 to 400mA for over 50ms, or above 400mA) during startup, this demo circuit also implements a soft-start function. The output voltage of LTC4257-1 ramps up to the final value over several milliseconds while the input current stays below the 350mA limit.

SAFETY AND ISOLATION

The demo board is designed to meet the requirements of UL 60950, 3rd Edition for basic insulation in secondary circuits. The input is considered a TNV-2 circuit, and the output is SELV. The transformer is designed to meet the basic insulation requirement with an isolation voltage of 1500VDC. The core is considered part of the secondary circuit.

ADDITIONAL INFORMATION

Refer to the LTC4257-1 and LT1737 datasheets for detailed information about the operation of each chip. The demo circuit schematic and parts list are available as well as the circuit board layout to assist in implementing this circuit in customer applications. Contact Linear Technology for a complete range of solutions for Power-Over-Ethernet applications along with a full line of power conversion products.

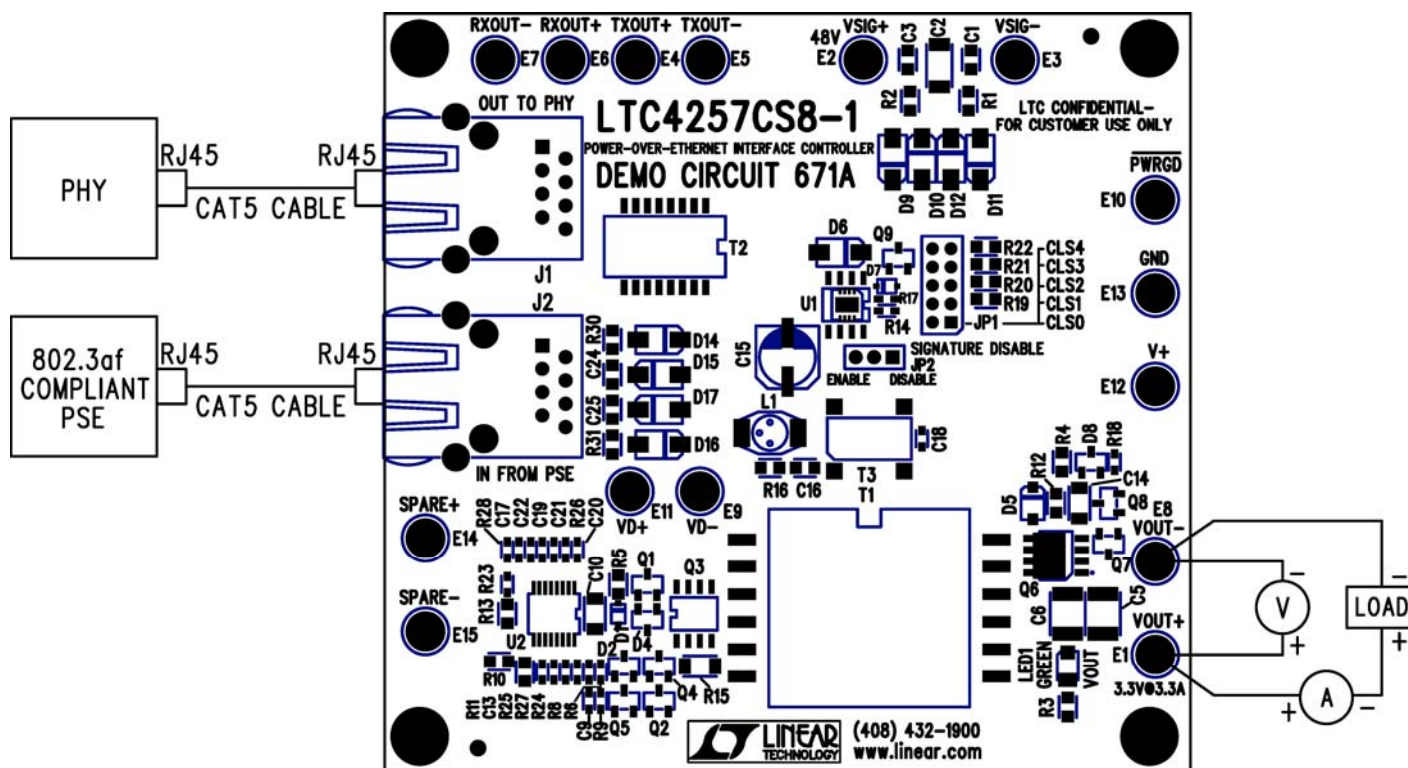
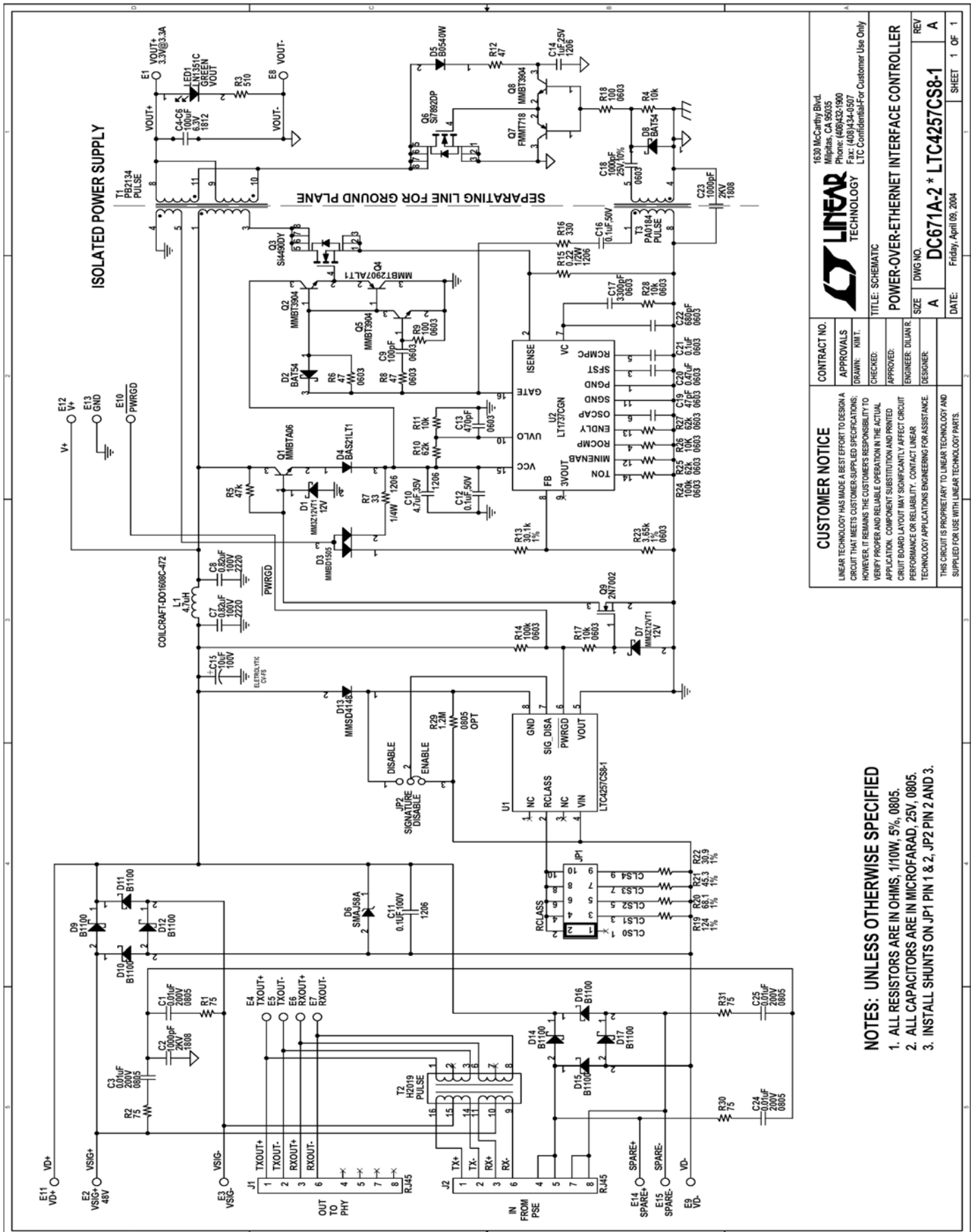


Figure 1. Proper Measurement Equipment Setup

QUICK START GUIDE FOR DEMONSTRATION CIRCUIT 671 POWER-OVER-ETHERNET INTERFACE CONTROLLER



1630 McCarthy Blvd.
Milpitas, CA 95035
Phone: (408)432-1800
Fax: (408)434-0507
LTC Confidential/For Customer Use Only

Компания «Океан Электроники» предлагает заключение долгосрочных отношений при поставках импортных электронных компонентов на взаимовыгодных условиях!

Наши преимущества:

- Поставка оригинальных импортных электронных компонентов напрямую с производств Америки, Европы и Азии, а так же с крупнейших складов мира;
- Широкая линейка поставок активных и пассивных импортных электронных компонентов (более 30 млн. наименований);
- Поставка сложных, дефицитных, либо снятых с производства позиций;
- Оперативные сроки поставки под заказ (от 5 рабочих дней);
- Экспресс доставка в любую точку России;
- Помощь Конструкторского Отдела и консультации квалифицированных инженеров;
- Техническая поддержка проекта, помощь в подборе аналогов, поставка прототипов;
- Поставка электронных компонентов под контролем ВП;
- Система менеджмента качества сертифицирована по Международному стандарту ISO 9001;
- При необходимости вся продукция военного и аэрокосмического назначения проходит испытания и сертификацию в лаборатории (по согласованию с заказчиком);
- Поставка специализированных компонентов военного и аэрокосмического уровня качества (Xilinx, Altera, Analog Devices, Intersil, Interpoint, Microsemi, Actel, Aeroflex, Peregrine, VPT, Syfer, Eurofarad, Texas Instruments, MS Kennedy, Miteq, Cobham, E2V, MA-COM, Hittite, Mini-Circuits, General Dynamics и др.);

Компания «Океан Электроники» является официальным дистрибьютором и эксклюзивным представителем в России одного из крупнейших производителей разъемов военного и аэрокосмического назначения «JONHON», а так же официальным дистрибьютором и эксклюзивным представителем в России производителя высокотехнологичных и надежных решений для передачи СВЧ сигналов «FORSTAR».



JONHON

«JONHON» (основан в 1970 г.)

Разъемы специального, военного и аэрокосмического назначения:

(Применяются в военной, авиационной, аэрокосмической, морской, железнодорожной, горно- и нефтедобывающей отраслях промышленности)

«FORSTAR» (основан в 1998 г.)

ВЧ соединители, коаксиальные кабели, кабельные сборки и микроволновые компоненты:

(Применяются в телекоммуникациях гражданского и специального назначения, в средствах связи, РЛС, а так же военной, авиационной и аэрокосмической отраслях промышленности).



Телефон: 8 (812) 309-75-97 (многоканальный)

Факс: 8 (812) 320-03-32

Электронная почта: ocean@oceanchips.ru

Web: <http://oceanchips.ru/>

Адрес: 198099, г. Санкт-Петербург, ул. Калинина, д. 2, корп. 4, лит. А