



The following document contains information on Cypress products. The document has the series name, product name, and ordering part numbering with the prefix “MB”. However, Cypress will offer these products to new and existing customers with the series name, product name, and ordering part number with the prefix “CY”.

#### **How to Check the Ordering Part Number**

1. Go to [www.cypress.com/pcn](http://www.cypress.com/pcn).
2. Enter the keyword (for example, ordering part number) in the **SEARCH PCNS** field and click **Apply**.
3. Click the corresponding title from the search results.
4. Download the Affected Parts List file, which has details of all changes

#### **For More Information**

Please contact your local sales office for additional information about Cypress products and solutions.

#### **About Cypress**

Cypress is the leader in advanced embedded system solutions for the world's most innovative automotive, industrial, smart home appliances, consumer electronics and medical products. Cypress' microcontrollers, analog ICs, wireless and USB-based connectivity solutions and reliable, high-performance memories help engineers design differentiated products and get them to market first. Cypress is committed to providing customers with the best support and development resources on the planet enabling them to disrupt markets by creating new product categories in record time. To learn more, go to [www.cypress.com](http://www.cypress.com).

The MB95710M/770M Series is a series of general-purpose, single-chip microcontrollers. In addition to a compact instruction set, the microcontrollers of this series contain a variety of peripheral resources.

## Features

- F<sup>2</sup>MC-8FX CPU core
  - Instruction set optimized for controllers
    - Multiplication and division instructions
    - 16-bit arithmetic operations
    - Bit test branch instructions
    - Bit manipulation instructions, etc.
- Clock
  - Selectable main clock source
    - Main oscillation clock (up to 16.25 MHz, maximum machine clock frequency: 8.125 MHz)
    - External clock (up to 32.5 MHz, maximum machine clock frequency: 16.25 MHz)
    - Main CR clock (4 MHz ±2%)
    - Main CR PLL clock
      - The main CR PLL clock frequency becomes 8 MHz ±2% when the PLL multiplication rate is 2.
      - The main CR PLL clock frequency becomes 10 MHz ±2% when the PLL multiplication rate is 2.5.
      - The main CR PLL clock frequency becomes 12 MHz ±2% when the PLL multiplication rate is 3.
      - The main CR PLL clock frequency becomes 16 MHz ±2% when the PLL multiplication rate is 4.
    - Main PLL clock (up to 16.25 MHz, maximum machine clock frequency: 16.25 MHz)
  - Selectable subclock source
    - Suboscillation clock (32.768 kHz)
    - External clock (32.768 kHz)
    - Sub-CR clock (Typ: 100 kHz, Min: 50 kHz, Max: 150 kHz)
- Timer
  - 8/16-bit composite timer × 2 channels
  - 8/16-bit PPG × 2 channels
  - 16-bit reload timer × 1 channel
  - Event counter × 1 channel
  - Time-base timer × 1 channel
  - Watch counter × 1 channel
  - Watch prescaler × 1 channel
- UART/SIO × 3 channels
  - Full duplex double buffer
  - Capable of clock asynchronous (UART) serial data transfer and clock synchronous (SIO) serial data transfer
- I<sup>2</sup>C bus interface × 1 channel
  - Built-in wake-up function
- External interrupt × 8 channels
  - Interrupt by edge detection (rising edge, falling edge, and both edges can be selected)
  - Can be used to wake up the device from different low power consumption (standby) modes
- 8/12-bit A/D converter × 8 channels
  - 8-bit or 12-bit resolution can be selected.
- LCD controller (LCDC)
  - On MB95F714J/F714M/F716J/F716M/F718J/F718M, LCD output can be selected from 40 SEG × 4 COM and 36 SEG × 8 COM.
  - On MB95F774J/F774M/F776J/F776M/F778J/F778M, LCD output can be selected from 32 SEG × 4 COM and 28 SEG × 8 COM.
  - Internal divider resistor whose resistance value can be selected from 10 kΩ or 100 kΩ through software
  - Interrupt in sync with the LCD module frame frequency
  - Blinking function
  - Inverted display function
- Low power consumption (standby) modes
  - There are four standby modes as follows:
    - Stop mode
    - Sleep mode
    - Watch mode
    - Time-base timer mode
- I/O port
  - MB95F714J/F716J/F718J (number of I/O ports: 75)
    - General-purpose I/O ports (CMOS I/O): 71
    - General-purpose I/O ports (N-ch open drain): 4
  - MB95F714M/F716M/F718M (number of I/O ports: 74)
    - General-purpose I/O ports (CMOS I/O): 71
    - General-purpose I/O ports (N-ch open drain): 3
  - MB95F774J/F776J/F778J (number of I/O ports: 59)
    - General-purpose I/O ports (CMOS I/O): 55
    - General-purpose I/O ports (N-ch open drain): 4
  - MB95F774M/F776M/F778M (number of I/O ports: 58)
    - General-purpose I/O ports (CMOS I/O): 55
    - General-purpose I/O ports (N-ch open drain): 3
- On-chip debug
  - 1-wire serial control
  - Serial writing supported (asynchronous mode)
- Hardware/software watchdog timer
  - Built-in hardware watchdog timer
  - Built-in software watchdog timer
- Power-on reset
  - A power-on reset is generated when the power is switched on.

- Low-voltage detection (LVD) circuit (only available on MB95F714J/F716J/F718J/F774J/F776J/F778J)
  - Built-in low-voltage detection function
- Comparator × 1 channel
- Clock supervisor counter
  - Built-in clock supervisor counter
- Dual operation Flash memory
  - The program/erase operation and the read operation can be executed in different banks (upper bank/lower bank) simultaneously.
- Flash memory security function
  - Protects the content of the Flash memory.

**Contents**

<b>Features</b> .....	<b>1</b>	18.7 Port 9.....	72
<b>1. Product Line-up</b> .....	<b>4</b>	18.8 Port A .....	74
1.1 MB95710M Series.....	4	18.9 Port B .....	77
1.2 MB95770M Series.....	7	18.10 Port C .....	79
<b>2. Packages And Corresponding Products</b> .....	<b>9</b>	18.11 Port E .....	82
<b>3. Differences Among Products And Notes On Product Selection</b> .....	<b>10</b>	18.12 Port F.....	85
<b>4. Pin Assignment</b> .....	<b>11</b>	18.13 Port G.....	87
<b>5. Pin Functions (MB95710M Series)</b> .....	<b>13</b>	<b>19. I/O Ports (MB95770M Series)</b> .....	<b>90</b>
<b>6. Pin Functions (MB95770M Series)</b> .....	<b>19</b>	19.1 Port 0.....	91
<b>7. I/O Circuit Type</b> .....	<b>24</b>	19.2 Port 1.....	95
<b>8. Handling Precautions</b> .....	<b>28</b>	19.3 Port 2.....	100
8.1 Precautions for Product Design.....	28	19.4 Port 6.....	103
8.2 Precautions for Package Mounting .....	29	19.5 Port 9.....	106
8.3 Precautions for Use Environment.....	30	19.6 Port A .....	108
<b>9. Notes On Device Handling</b> .....	<b>31</b>	19.7 Port B .....	111
<b>10. Pin Connection</b> .....	<b>31</b>	19.8 Port C .....	113
<b>11. Block Diagram (MB95710M Series)</b> .....	<b>33</b>	19.9 Port E .....	116
<b>12. Block Diagram (MB95770M Series)</b> .....	<b>34</b>	19.10 Port F.....	119
<b>13. CPU Core</b> .....	<b>35</b>	19.11 Port G.....	121
<b>14. Memory Space</b> .....	<b>36</b>	<b>20. Interrupt Source Table</b> .....	<b>124</b>
<b>15. Areas For Specific Applications</b> .....	<b>38</b>	<b>21. Pin States In Each Mode</b> .....	<b>125</b>
<b>16. I/O Map (MB95710M Series)</b> .....	<b>39</b>	<b>22. Electrical Characteristics</b> .....	<b>131</b>
<b>17. I/O Map (MB95770M Series)</b> .....	<b>45</b>	22.1 Absolute Maximum Ratings.....	131
<b>18. I/O Ports (MB95710M Series)</b> .....	<b>51</b>	22.2 Recommended Operating Conditions .....	133
18.1 Port 0.....	52	22.3 DC Characteristics .....	134
18.2 Port 1 .....	56	22.4 AC Characteristics.....	139
18.3 Port 2.....	61	22.5 A/D Converter.....	155
18.4 Port 4.....	64	22.6 Flash Memory Program/Erase Characteristics	159
18.5 Port 5.....	66	<b>23. Sample Characteristics</b> .....	<b>160</b>
18.6 Port 6.....	69	<b>24. Mask Options</b> .....	<b>166</b>
		<b>25. Ordering Information</b> .....	<b>167</b>
		<b>26. Package Dimension</b> .....	<b>168</b>
		<b>Document History Page</b> .....	<b>171</b>
		<b>Sales, Solutions, and Legal Information</b> .....	<b>172</b>

## 1. Product Line-up

### 1.1 MB95710M Series

Part number	MB95F714J	MB95F716J	MB95F718J	MB95F714M	MB95F716M	MB95F718M
<b>Parameter</b>						
Type	Flash memory product					
Clock supervisor counter	It supervises the main clock oscillation and the subclock oscillation.					
Flash memory capacity	20 Kbyte	36 Kbyte	60 Kbyte	20 Kbyte	36 Kbyte	60 Kbyte
RAM capacity	512 bytes	1 Kbyte	2 Kbyte	512 bytes	1 Kbyte	2 Kbyte
Power-on reset	Yes					
Low-voltage detection reset	Yes			No		
Reset input	Selected through software			With dedicated reset input		
CPU functions	<ul style="list-style-type: none"> <li>• Number of basic instructions : 136</li> <li>• Instruction bit length : 8 bits</li> <li>• Instruction length : 1 to 3 bytes</li> <li>• Data bit length : 1, 8 and 16 bits</li> <li>• Minimum instruction execution time : 61.5 ns (machine clock frequency = 16.25 MHz)</li> <li>• Interrupt processing time : 0.6 μs (machine clock frequency = 16.25 MHz)</li> </ul>					
General-purpose I/O	<ul style="list-style-type: none"> <li>• I/O port : 75</li> <li>• CMOS I/O : 71</li> <li>• N-ch open drain : 4</li> </ul>			<ul style="list-style-type: none"> <li>• I/O port : 74</li> <li>• CMOS I/O : 71</li> <li>• N-ch open drain : 3</li> </ul>		
Time-base timer	Interval time: 0.256 ms to 8.3 s (external clock frequency = 4 MHz)					
Hardware/software watchdog timer	<ul style="list-style-type: none"> <li>• Reset generation cycle Main oscillation clock at 10 MHz: 105 ms (min)</li> <li>• The sub-CR clock can be used as the source clock of the software watchdog timer.</li> </ul>					
Wild register	It can be used to replace 3 bytes of data.					
8/12-bit A/D converter	8 channels					
	8-bit or 12-bit resolution can be selected.					
8/16-bit composite timer	2 channels					
	<ul style="list-style-type: none"> <li>• The timer can be configured as an “8-bit timer × 2 channels” or a “16-bit timer × 1 channel”.</li> <li>• It has the following functions: interval timer function, PWC function, PWM function and input capture function.</li> <li>• Count clock: it can be selected from internal clocks (seven types) and external clocks.</li> <li>• It can output square wave.</li> </ul>					
External interrupt	8 channels					
	<ul style="list-style-type: none"> <li>• Interrupt by edge detection (The rising edge, falling edge, and both edges can be selected.)</li> <li>• It can be used to wake up the device from different standby modes.</li> </ul>					
On-chip debug	<ul style="list-style-type: none"> <li>• 1-wire serial control</li> <li>• It supports serial writing (asynchronous mode).</li> </ul>					

Part number	MB95F714J	MB95F716J	MB95F718J	MB95F714M	MB95F716M	MB95F718M
Parameter						
UART/SIO	3 channels <ul style="list-style-type: none"> <li>Data transfer with UART/SIO is enabled.</li> <li>It has a full duplex double buffer, variable data length (5/6/7/8 bits), an internal baud rate generator and an error detection function.</li> <li>It uses the NRZ type transfer format.</li> <li>LSB-first data transfer and MSB-first data transfer are available to use.</li> <li>Both clock asynchronous (UART) serial data transfer and clock synchronous (SIO) serial data transfer are enabled.</li> </ul>					
I <sup>2</sup> C bus interface	1 channel <ul style="list-style-type: none"> <li>Master/slave transmission and reception</li> <li>It has the following functions: bus error function, arbitration function, transmission direction detection function, wake-up function, and functions of generating and detecting repeated START conditions.</li> </ul>					
8/16-bit PPG	2 channels <ul style="list-style-type: none"> <li>Each channel can be used as an "8-bit timer × 2 channels" or a "16-bit timer × 1 channel".</li> <li>The counter operating clock can be selected from eight clock sources.</li> </ul>					
16-bit reload timer	1 channel <ul style="list-style-type: none"> <li>Two clock modes and two counter operating modes are available to use.</li> <li>It can output square wave.</li> <li>Count clock: it can be selected from internal clocks (seven types) and external clocks.</li> <li>Two counter operating modes: reload mode and one-shot mode</li> </ul>					
Event counter	<ul style="list-style-type: none"> <li>The event counter function is implemented by configuring the 16-bit reload timer and 8/16-bit composite timer ch. 1.</li> <li>When the event counter function is used, the 16-bit reload timer and 8/16-bit composite timer ch. 1 become unavailable.</li> </ul>					
LCD controller (LCDC)	<ul style="list-style-type: none"> <li>COM output: 4 or 8 (max) (selectable)</li> <li>SEG output: 36 or 40 (max) (selectable)               <ul style="list-style-type: none"> <li>If the number of COM outputs is 4, the maximum number of SEG outputs is 40, and the maximum number of pixels that can be displayed 160 (4 × 40).</li> <li>If the number of COM outputs is 8, the maximum number of SEG outputs is 36, and the maximum number of pixels that can be displayed 288 (8 × 36).</li> </ul> </li> <li>LCD drive power supply (bias) pins: 5 (max)</li> <li>Duty LCD mode</li> <li>LCD standby mode</li> <li>Blinking function</li> <li>Internal divider resistor whose resistance value can be selected from 10 kΩ or 100 kΩ through software</li> <li>Interrupt in sync with the LCD module frame frequency</li> <li>Inverted display function</li> </ul>					
Watch counter	<ul style="list-style-type: none"> <li>Count clock: four selectable clock sources (125 ms, 250 ms, 500 ms or 1 s)</li> <li>The counter value can be selected from 0 to 63. (The watch counter can count for one minute when the clock source is one second and the counter value is set to 60.)</li> </ul>					
Watch prescaler	Eight different time intervals can be selected.					
Comparator	1 channel					

Part number	MB95F714J	MB95F716J	MB95F718J	MB95F714M	MB95F716M	MB95F718M
Parameter						
Flash memory	<ul style="list-style-type: none"> <li>It supports automatic programming (Embedded Algorithm), and program/erase/erase-suspend/erase-resume commands.</li> <li>It has a flag indicating the completion of the operation of Embedded Algorithm.</li> <li>Flash security feature for protecting the content of the Flash memory</li> </ul>					
	Number of program/erase cycles		1000	10000	100000	
	Data retention time		20 years	10 years	5 years	
Standby mode	There are four standby modes as follows: <ul style="list-style-type: none"> <li>Stop mode</li> <li>Sleep mode</li> <li>Watch mode</li> <li>Time-base timer mode</li> </ul>					
Package	LQH080					

**1.2 MB95770M Series**

Part number	MB95F774J	MB95F776J	MB95F778J	MB95F774M	MB95F776M	MB95F778M
<b>Parameter</b>						
Type	Flash memory product					
Clock supervisor counter	It supervises the main clock oscillation and the subclock oscillation.					
Flash memory capacity	20 Kbyte	36 Kbyte	60 Kbyte	20 Kbyte	36 Kbyte	60 Kbyte
RAM capacity	512 bytes	1 Kbyte	2 Kbyte	512 bytes	1 Kbyte	2 Kbyte
Power-on reset	Yes					
Low-voltage detection reset	Yes			No		
Reset input	Selected through software			Dedicated		
CPU functions	<ul style="list-style-type: none"> <li>• Number of basic instructions : 136</li> <li>• Instruction bit length : 8 bits</li> <li>• Instruction length : 1 to 3 bytes</li> <li>• Data bit length : 1, 8 and 16 bits</li> <li>• Minimum instruction execution time : 61.5 ns (machine clock frequency = 16.25 MHz)</li> <li>• Interrupt processing time : 0.6 μs (machine clock frequency = 16.25 MHz)</li> </ul>					
General-purpose I/O	<ul style="list-style-type: none"> <li>• I/O port : 59</li> <li>• CMOS I/O : 55</li> <li>• N-ch open drain : 4</li> </ul>			<ul style="list-style-type: none"> <li>• I/O port : 58</li> <li>• CMOS I/O : 55</li> <li>• N-ch open drain : 3</li> </ul>		
Time-base timer	Interval time: 0.256 ms to 8.3 s (external clock frequency = 4 MHz)					
Hardware/software watchdog timer	<ul style="list-style-type: none"> <li>• Reset generation cycle Main oscillation clock at 10 MHz: 105 ms (min)</li> <li>• The sub-CR clock can be used as the source clock of the software watchdog timer.</li> </ul>					
Wild register	It can be used to replace 3 bytes of data.					
8/12-bit A/D converter	8 channels					
	8-bit or 12-bit resolution can be selected.					
8/16-bit composite timer	2 channels					
	<ul style="list-style-type: none"> <li>• The timer can be configured as an “8-bit timer × 2 channels” or a “16-bit timer × 1 channel”.</li> <li>• It has the following functions: interval timer function, PWC function, PWM function and input capture function.</li> <li>• Count clock: it can be selected from internal clocks (seven types) and external clocks.</li> <li>• It can output square wave.</li> </ul>					
External interrupt	8 channels					
	<ul style="list-style-type: none"> <li>• Interrupt by edge detection (The rising edge, falling edge, and both edges can be selected.)</li> <li>• It can be used to wake up the device from different standby modes.</li> </ul>					
On-chip debug	<ul style="list-style-type: none"> <li>• 1-wire serial control</li> <li>• It supports serial writing (asynchronous mode).</li> </ul>					



Part number	MB95F774J	MB95F776J	MB95F778J	MB95F774M	MB95F776M	MB95F778M
Parameter						
UART/SIO	3 channels <ul style="list-style-type: none"> <li>Data transfer with UART/SIO is enabled.</li> <li>It has a full duplex double buffer, variable data length (5/6/7/8 bits), an internal baud rate generator and an error detection function.</li> <li>It uses the NRZ type transfer format.</li> <li>LSB-first data transfer and MSB-first data transfer are available to use.</li> <li>Both clock asynchronous (UART) serial data transfer and clock synchronous (SIO) serial data transfer are enabled.</li> </ul>					
I <sup>2</sup> C bus interface	1 channel <ul style="list-style-type: none"> <li>Master/slave transmission and reception</li> <li>It has the following functions: bus error function, arbitration function, transmission direction detection function, wake-up function, and functions of generating and detecting repeated START conditions.</li> </ul>					
8/16-bit PPG	2 channels <ul style="list-style-type: none"> <li>Each channel can be used as an "8-bit timer × 2 channels" or a "16-bit timer × 1 channel".</li> <li>The counter operating clock can be selected from eight clock sources.</li> </ul>					
16-bit reload timer	1 channel <ul style="list-style-type: none"> <li>Two clock modes and two counter operating modes are available to use.</li> <li>It can output square wave.</li> <li>Count clock: it can be selected from internal clocks (seven types) and external clocks.</li> <li>Two counter operating modes: reload mode and one-shot mode</li> </ul>					
Event counter	<ul style="list-style-type: none"> <li>The event counter function is implemented by configuring the 16-bit reload timer and 8/16-bit composite timer ch. 1.</li> <li>When the event counter function is used, the 16-bit reload timer and 8/16-bit composite timer ch. 1 become unavailable.</li> </ul>					
LCD controller (LCDC)	<ul style="list-style-type: none"> <li>COM output: 4 or 8 (max) (selectable)</li> <li>SEG output: 28 or 32 (max) (selectable)               <ul style="list-style-type: none"> <li>If the number of COM outputs is 4, the maximum number of SEG outputs is 32, and the maximum number of pixels that can be displayed 128 (4 × 32).</li> <li>If the number of COM outputs is 8, the maximum number of SEG outputs is 28, and the maximum number of pixels that can be displayed 224 (8 × 28).</li> </ul> </li> <li>LCD drive power supply (bias) pins: 4 (max)</li> <li>Duty LCD mode</li> <li>LCD standby mode</li> <li>Blinking function</li> <li>Internal divider resistor whose resistance value can be selected from 10 kΩ or 100 kΩ through software</li> <li>Interrupt in sync with the LCD module frame frequency</li> <li>Inverted display function</li> </ul>					
Watch counter	<ul style="list-style-type: none"> <li>Count clock: four selectable clock sources (125 ms, 250 ms, 500 ms or 1 s)</li> <li>The counter value can be selected from 0 to 63. (The watch counter can count for one minute when the clock source is one second and the counter value is set to 60.)</li> </ul>					
Watch prescaler	Eight different time intervals can be selected.					
Comparator	1 channel					

Part number	MB95F774J	MB95F776J	MB95F778J	MB95F774M	MB95F776M	MB95F778M								
Parameter														
Flash memory	<ul style="list-style-type: none"> <li>It supports automatic programming (Embedded Algorithm), and program/erase/erase-suspend/erase-resume commands.</li> <li>It has a flag indicating the completion of the operation of Embedded Algorithm.</li> <li>Flash security feature for protecting the content of the Flash memory</li> </ul> <table border="1"> <tr> <td>Number of program/erase cycles</td> <td>1000</td> <td>10000</td> <td>100000</td> </tr> <tr> <td>Data retention time</td> <td>20 years</td> <td>10 years</td> <td>5 years</td> </tr> </table>						Number of program/erase cycles	1000	10000	100000	Data retention time	20 years	10 years	5 years
Number of program/erase cycles	1000	10000	100000											
Data retention time	20 years	10 years	5 years											
Standby mode	<p>There are four standby modes as follows:</p> <ul style="list-style-type: none"> <li>Stop mode</li> <li>Sleep mode</li> <li>Watch mode</li> <li>Time-base timer mode</li> </ul>													
Package	<p>LQD064 LQG064</p>													

## 2. Packages And Corresponding Products

Part number	MB95F714J	MB95F716J	MB95F718J	MB95F714M	MB95F716M	MB95F718M
Package						
LQH080	O	O	O	O	O	O

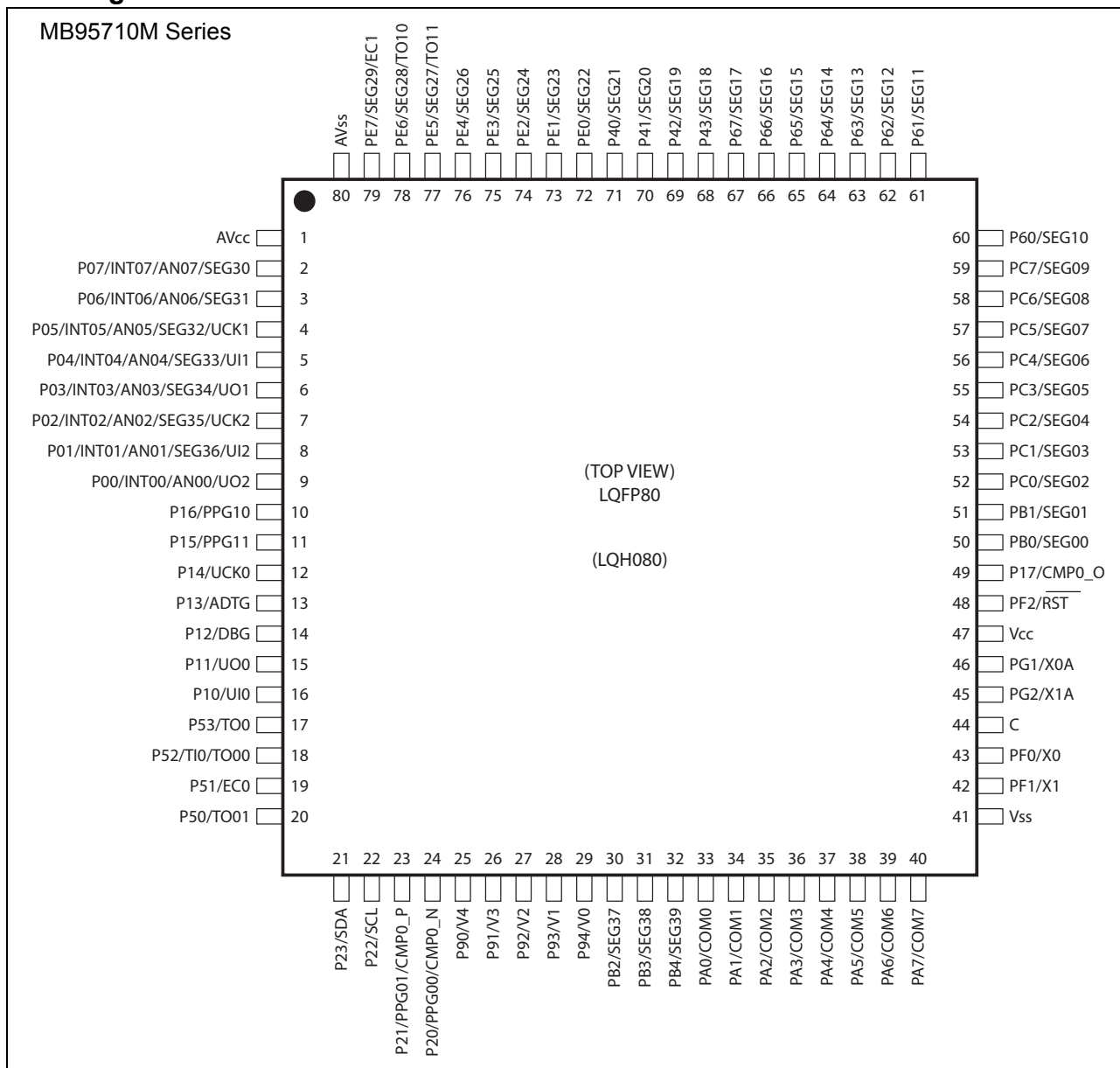
Part number	MB95F774J	MB95F776J	MB95F778J	MB95F774M	MB95F776M	MB95F778M
Package						
LQD064	O	O	O	O	O	O
LQG064	O	O	O	O	O	O

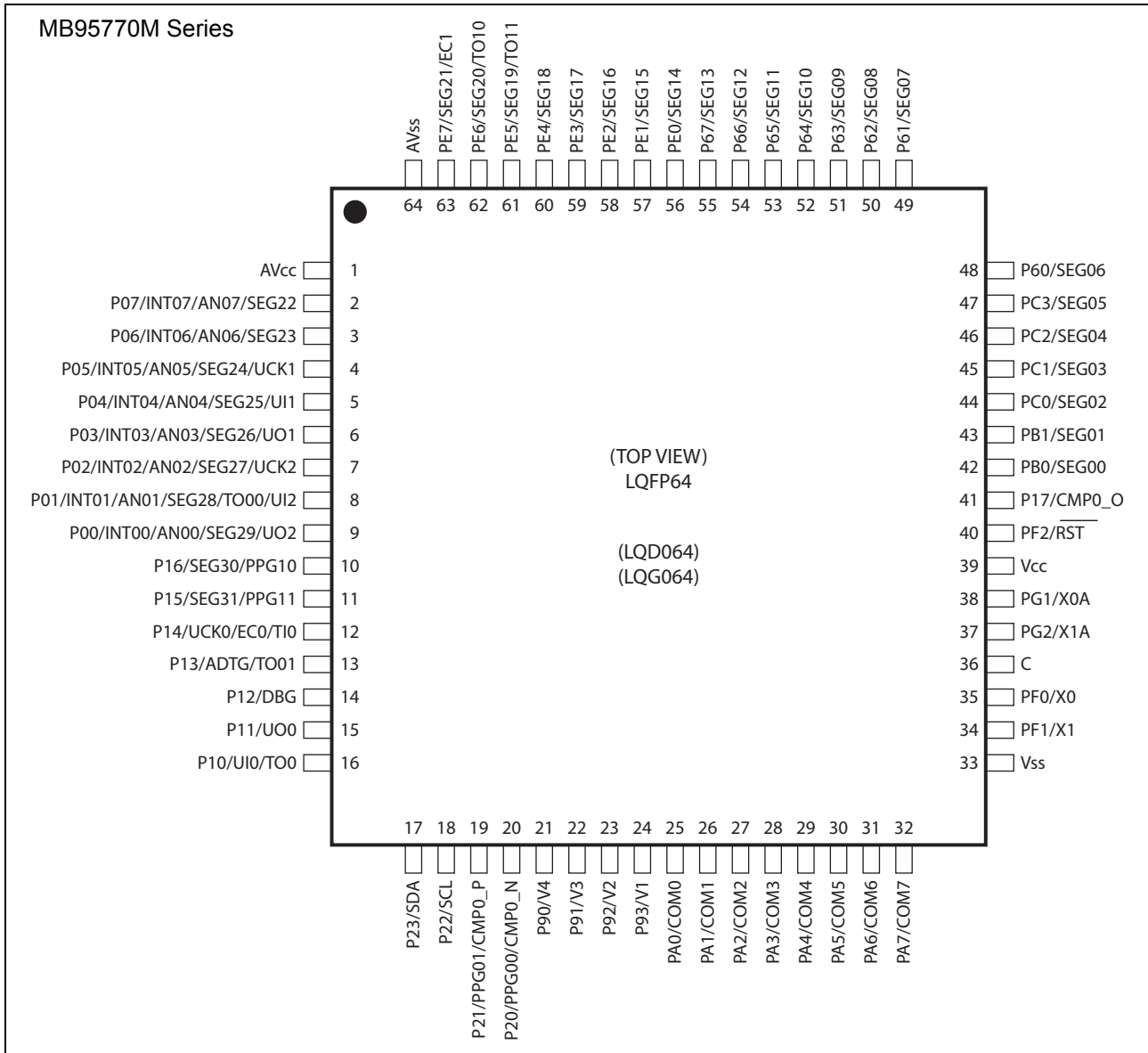
O: Available

### 3. Differences Among Products And Notes On Product Selection

- Current consumption  
When using the on-chip debug function, take account of the current consumption of Flash memory program/erase.  
For details of current consumption, see “Electrical Characteristics”.
- Package  
For details of information on each package, see “Packages And Corresponding Products” and “Package Dimension”.
- Operating voltage  
The operating voltage varies, depending on whether the on-chip debug function is used or not.  
For details of operating voltage, see “Electrical Characteristics”.
- On-chip debug function  
The on-chip debug function requires that  $V_{CC}$ ,  $V_{SS}$  and one serial wire be connected to an evaluation tool. For details of the connection method, refer to “CHAPTER 26 EXAMPLE OF SERIAL PROGRAMMING CONNECTION” in “New 8FX MB95710M/770M Series Hardware Manual”.

### 4. Pin Assignment





**5. Pin Functions (MB95710M Series)**

Pin no.	Pin name	I/O circuit type*1	Function	I/O type			
				Input	Output	OD*2	PU*3
1	AV <sub>CC</sub>	—	Power supply pin for 8/12-bit A/D converter and comparator	—	—	—	—
2	P07	S	General-purpose I/O port	Hysteresis/ analog	CMOS/ LCD	—	—
	INT07		External interrupt input pin				
	AN07		8/12-bit A/D converter analog input pin				
	SEG30		LCDC SEG30 output pin				
3	P06	S	General-purpose I/O port	Hysteresis/ analog	CMOS/ LCD	—	—
	INT06		External interrupt input pin				
	AN06		8/12-bit A/D converter analog input pin				
	SEG31		LCDC SEG31 output pin				
4	P05	S	General-purpose I/O port	Hysteresis/ analog	CMOS/ LCD	—	—
	INT05		External interrupt input pin				
	AN05		8/12-bit A/D converter analog input pin				
	SEG32		LCDC SEG32 output pin				
	UCK1		UART/SIO ch. 1 clock I/O pin				
5	P04	V	General-purpose I/O port	CMOS/ analog	CMOS/ LCD	—	—
	INT04		External interrupt input pin				
	AN04		8/12-bit A/D converter analog input pin				
	SEG33		LCDC SEG33 output pin				
	UI1		UART/SIO ch. 1 data input pin				
6	P03	S	General-purpose I/O port	Hysteresis/ analog	CMOS/ LCD	—	—
	INT03		External interrupt input pin				
	AN03		8/12-bit A/D converter analog input pin				
	SEG34		LCDC SEG34 output pin				
	UO1		UART/SIO ch. 1 data output pin				
7	P02	S	General-purpose I/O port	Hysteresis/ analog	CMOS/ LCD	—	—
	INT02		External interrupt input pin				
	AN02		8/12-bit A/D converter analog input pin				
	SEG35		LCDC SEG35 output pin				
	UCK2		UART/SIO ch. 2 clock I/O pin				
8	P01	V	General-purpose I/O port	CMOS/ analog	CMOS/ LCD	—	—
	INT01		External interrupt input pin				
	AN01		8/12-bit A/D converter analog input pin				
	SEG36		LCDC SEG36 output pin				
	UI2		UART/SIO ch. 2 data input pin				

Pin no.	Pin name	I/O circuit type*1	Function	I/O type			
				Input	Output	OD*2	PU*3
9	P00	W	General-purpose I/O port	Hysteresis/ analog	CMOS/ LCD	—	—
	INT00		External interrupt input pin				
	AN00		8/12-bit A/D converter analog input pin				
	UO2		UART/SIO ch. 2 data output pin				
10	P16	Y	General-purpose I/O port	Hysteresis	CMOS	—	—
	PPG10		8/16-bit PPG ch. 1 output pin				
11	P15	Y	General-purpose I/O port	Hysteresis	CMOS	—	—
	PPG11		8/16-bit PPG ch. 1 output pin				
12	P14	H	General-purpose I/O port	Hysteresis	CMOS	—	O
	UCK0		UART/SIO ch. 0 clock I/O pin				
13	P13	H	General-purpose I/O port	Hysteresis	CMOS	—	O
	ADTG		8/12-bit A/D converter trigger input pin				
14	P12	D	General-purpose I/O port	Hysteresis	CMOS	O	—
	DBG		DBG input pin				
15	P11	H	General-purpose I/O port	Hysteresis	CMOS	—	O
	UO0		UART/SIO ch. 0 data output pin				
16	P10	G	General-purpose I/O port	CMOS	CMOS	—	O
	UI0		UART/SIO ch. 0 data input pin				
17	P53	H	General-purpose I/O port	Hysteresis	CMOS	—	O
	TO0		16-bit reload timer ch. 0 output pin				
18	P52	H	General-purpose I/O port	Hysteresis	CMOS	—	O
	TI0		16-bit reload timer ch. 0 input pin				
	TO00		8/16-bit composite timer ch. 0 output pin				
19	P51	H	General-purpose I/O port	Hysteresis	CMOS	—	O
	EC0		8/16-bit composite timer ch. 0 clock input pin				
20	P50	H	General-purpose I/O port	Hysteresis	CMOS	—	O
	TO01		8/16-bit composite timer ch. 0 output pin				
21	P23	I	General-purpose I/O port	CMOS	CMOS	O	—
	SDA		I <sup>2</sup> C bus interface ch. 0 data I/O pin				
22	P22	I	General-purpose I/O port	CMOS	CMOS	O	—
	SCL		I <sup>2</sup> C bus interface ch. 0 clock I/O pin				
23	P21	T	General-purpose I/O port	Hysteresis/ analog	CMOS	—	O
	PPG01		8/16-bit PPG ch. 0 output pin				
	CMP0_P		Comparator ch. 0 non-inverting analog input (positive input) pin				

Pin no.	Pin name	I/O circuit type*1	Function	I/O type			
				Input	Output	OD*2	PU*3
24	P20	T	General-purpose I/O port	Hysteresis/ analog	CMOS	—	O
	PPG00		8/16-bit PPG ch. 0 output pin				
	CMP0_N		Comparator ch. 0 inverting analog input (negative input) pin				
25	P90	R	General-purpose I/O port	Hysteresis/ LCD power supply	CMOS/ LCD power supply	—	—
	V4		LCD drive power supply pin				
26	P91	R	General-purpose I/O port	Hysteresis/ LCD power supply	CMOS/ LCD power supply	—	—
	V3		LCD drive power supply pin				
27	P92	R	General-purpose I/O port	Hysteresis/ LCD power supply	CMOS/ LCD power supply	—	—
	V2		LCD drive power supply pin				
28	P93	R	General-purpose I/O port	Hysteresis/ LCD power supply	CMOS/ LCD power supply	—	—
	V1		LCD drive power supply pin				
29	P94	R	General-purpose I/O port	Hysteresis/ LCD power supply	CMOS/ LCD power supply	—	—
	V0		LCD drive power supply pin				
30	PB2	M	General-purpose I/O port	Hysteresis	CMOS/ LCD	—	—
	SEG37		LCDC SEG37 output pin				
31	PB3	M	General-purpose I/O port	Hysteresis	CMOS/ LCD	—	—
	SEG38		LCDC SEG38 output pin				
32	PB4	M	General-purpose I/O port	Hysteresis	CMOS/ LCD	—	—
	SEG39		LCDC SEG39 output pin				
33	PA0	M	General-purpose I/O port	Hysteresis	CMOS/ LCD	—	—
	COM0		LCDC COM0 output pin				
34	PA1	M	General-purpose I/O port	Hysteresis	CMOS/ LCD	—	—
	COM1		LCDC COM1 output pin				
35	PA2	M	General-purpose I/O port	Hysteresis	CMOS/ LCD	—	—
	COM2		LCDC COM2 output pin				
36	PA3	M	General-purpose I/O port	Hysteresis	CMOS/ LCD	—	—
	COM3		LCDC COM3 output pin				
37	PA4	M	General-purpose I/O port	Hysteresis	CMOS/ LCD	—	—
	COM4		LCDC COM4 output pin				



Pin no.	Pin name	I/O circuit type*1	Function	I/O type			
				Input	Output	OD*2	PU*3
38	PA5	M	General-purpose I/O port	Hysteresis	CMOS/ LCD	—	—
	COM5		LCDC COM5 output pin				
39	PA6	M	General-purpose I/O port	Hysteresis	CMOS/ LCD	—	—
	COM6		LCDC COM6 output pin				
40	PA7	M	General-purpose I/O port	Hysteresis	CMOS/ LCD	—	—
	COM7		LCDC COM7 output pin				
41	V <sub>SS</sub>	—	Power supply pin (GND)	—	—	—	—
42	PF1	B	General-purpose I/O port	Hysteresis	CMOS	—	—
	X1		Main clock I/O oscillation pin				
43	PF0	B	General-purpose I/O port	Hysteresis	CMOS	—	—
	X0		Main clock input oscillation pin				
44	C	—	Decoupling capacitor connection pin	—	—	—	—
45	PG2	C	General-purpose I/O port	Hysteresis	CMOS	—	0
	X1A		Subclock I/O oscillation pin				
46	PG1	C	General-purpose I/O port	Hysteresis	CMOS	—	0
	X0A		Subclock input oscillation pin				
47	V <sub>CC</sub>	—	Power supply pin	—	—	—	—
48	PF2	A	General-purpose I/O port	Hysteresis	CMOS	0	—
	$\overline{\text{RST}}$		Reset pin Dedicated reset pin on MB95F714M/F716M/F718M				
49	P17	H	General-purpose I/O port	Hysteresis	CMOS	—	0
	CMP0_O		Comparator ch. 0 digital output pin				
50	PB0	M	General-purpose I/O port	Hysteresis	CMOS/ LCD	—	—
	SEG00		LCDC SEG00 output pin				
51	PB1	M	General-purpose I/O port	Hysteresis	CMOS/ LCD	—	—
	SEG01		LCDC SEG01 output pin				
52	PC0	M	General-purpose I/O port	Hysteresis	CMOS/ LCD	—	—
	SEG02		LCDC SEG02 output pin				
53	PC1	M	General-purpose I/O port	Hysteresis	CMOS/ LCD	—	—
	SEG03		LCDC SEG03 output pin				
54	PC2	M	General-purpose I/O port	Hysteresis	CMOS/ LCD	—	—
	SEG04		LCDC SEG04 output pin				
55	PC3	M	General-purpose I/O port	Hysteresis	CMOS/ LCD	—	—
	SEG05		LCDC SEG05 output pin				
56	PC4	M	General-purpose I/O port	Hysteresis	CMOS/ LCD	—	—
	SEG06		LCDC SEG06 output pin				

Pin no.	Pin name	I/O circuit type*1	Function	I/O type			
				Input	Output	OD*2	PU*3
57	PC5	M	General-purpose I/O port	Hysteresis	CMOS/ LCD	—	—
	SEG07		LCDC SEG07 output pin				
58	PC6	M	General-purpose I/O port	Hysteresis	CMOS/ LCD	—	—
	SEG08		LCDC SEG08 output pin				
59	PC7	M	General-purpose I/O port	Hysteresis	CMOS/ LCD	—	—
	SEG09		LCDC SEG09 output pin				
60	P60	M	General-purpose I/O port	Hysteresis	CMOS/ LCD	—	—
	SEG10		LCDC SEG10 output pin				
61	P61	M	General-purpose I/O port	Hysteresis	CMOS/ LCD	—	—
	SEG11		LCDC SEG11 output pin				
62	P62	M	General-purpose I/O port	Hysteresis	CMOS/ LCD	—	—
	SEG12		LCDC SEG12 output pin				
63	P63	M	General-purpose I/O port	Hysteresis	CMOS/ LCD	—	—
	SEG13		LCDC SEG13 output pin				
64	P64	M	General-purpose I/O port	Hysteresis	CMOS/ LCD	—	—
	SEG14		LCDC SEG14 output pin				
65	P65	M	General-purpose I/O port	Hysteresis	CMOS/ LCD	—	—
	SEG15		LCDC SEG15 output pin				
66	P66	M	General-purpose I/O port	Hysteresis	CMOS/ LCD	—	—
	SEG16		LCDC SEG16 output pin				
67	P67	M	General-purpose I/O port	Hysteresis	CMOS/ LCD	—	—
	SEG17		LCDC SEG17 output pin				
68	P43	M	General-purpose I/O port	Hysteresis	CMOS/ LCD	—	—
	SEG18		LCDC SEG18 output pin				
69	P42	M	General-purpose I/O port	Hysteresis	CMOS/ LCD	—	—
	SEG19		LCDC SEG19 output pin				
70	P41	M	General-purpose I/O port	Hysteresis	CMOS/ LCD	—	—
	SEG20		LCDC SEG20 output pin				
71	P40	M	General-purpose I/O port	Hysteresis	CMOS/ LCD	—	—
	SEG21		LCDC SEG21 output pin				
72	PE0	M	General-purpose I/O port	Hysteresis	CMOS/ LCD	—	—
	SEG22		LCDC SEG22 output pin				
73	PE1	M	General-purpose I/O port	Hysteresis	CMOS/ LCD	—	—
	SEG23		LCDC SEG23 output pin				
74	PE2	M	General-purpose I/O port	Hysteresis	CMOS/ LCD	—	—
	SEG24		LCDC SEG24 output pin				

Pin no.	Pin name	I/O circuit type*1	Function	I/O type			
				Input	Output	OD*2	PU*3
75	PE3	M	General-purpose I/O port	Hysteresis	CMOS/ LCD	—	—
	SEG25		LCDC SEG25 output pin				
76	PE4	M	General-purpose I/O port	Hysteresis	CMOS/ LCD	—	—
	SEG26		LCDC SEG26 output pin				
77	PE5	M	General-purpose I/O port	Hysteresis	CMOS/ LCD	—	—
	SEG27		LCDC SEG27 output pin				
	TO11		8/16-bit composite timer ch. 1 output pin				
78	PE6	M	General-purpose I/O port	Hysteresis	CMOS/ LCD	—	—
	SEG28		LCDC SEG28 output pin				
	TO10		8/16-bit composite timer ch. 1 output pin				
79	PE7	M	General-purpose I/O port	Hysteresis	CMOS/ LCD	—	—
	SEG29		LCDC SEG27 output pin				
	EC1		8/16-bit composite timer ch. 1 clock input pin				
80	AV <sub>ss</sub>	—	Power supply pin (GND) for 8/12-bit A/D converter and comparator	—	—	—	—

O: Available

\*1: For the I/O circuit types, see “I/O Circuit Type”.

\*2: N-ch open drain

\*3: Pull-up

**6. Pin Functions (MB95770M Series)**

Pin no.	Pin name	I/O circuit type*1	Function	I/O type			
				Input	Output	OD*2	PU*3
1	AV <sub>CC</sub>	—	Power supply pin for 8/12-bit A/D converter and comparator	—	—	—	—
2	P07	S	General-purpose I/O port	Hysteresis/ analog	CMOS/ LCD	—	—
	INT07		External interrupt input pin				
	AN07		8/12-bit A/D converter analog input pin				
	SEG22		LCDC SEG22 output pin				
3	P06	S	General-purpose I/O port	Hysteresis/ analog	CMOS/ LCD	—	—
	INT06		External interrupt input pin				
	AN06		8/12-bit A/D converter analog input pin				
	SEG23		LCDC SEG23 output pin				
4	P05	S	General-purpose I/O port	Hysteresis/ analog	CMOS/ LCD	—	—
	INT05		External interrupt input pin				
	AN05		8/12-bit A/D converter analog input pin				
	SEG24		LCDC SEG24 output pin				
	UCK1		UART/SIO ch. 1 clock I/O pin				
5	P04	V	General-purpose I/O port	CMOS/ analog	CMOS/ LCD	—	—
	INT04		External interrupt input pin				
	AN04		8/12-bit A/D converter analog input pin				
	SEG25		LCDC SEG25 output pin				
	UI1		UART/SIO ch. 1 data input pin				
6	P03	S	General-purpose I/O port	Hysteresis/ analog	CMOS/ LCD	—	—
	INT03		External interrupt input pin				
	AN03		8/12-bit A/D converter analog input pin				
	SEG26		LCDC SEG26 output pin				
	UO1		UART/SIO ch. 1 data output pin				
7	P02	S	General-purpose I/O port	Hysteresis/ analog	CMOS/ LCD	—	—
	INT02		External interrupt input pin				
	AN02		8/12-bit A/D converter analog input pin				
	SEG27		LCDC SEG27 output pin				
	UCK2		UART/SIO ch. 2 clock I/O pin				
8	P01	V	General-purpose I/O port	CMOS/ analog	CMOS/ LCD	—	—
	INT01		External interrupt input pin				
	AN01		8/12-bit A/D converter analog input pin				
	SEG28		LCDC SEG28 output pin				
	TO00		8/16-bit composite timer ch. 0 output pin				
	UI2		UART/SIO ch. 2 data input pin				

Pin no.	Pin name	I/O circuit type*1	Function	I/O type			
				Input	Output	OD*2	PU*3
9	P00	S	General-purpose I/O port	Hysteresis/ analog	CMOS/ LCD	—	—
	INT00		External interrupt input pin				
	AN00		8/12-bit A/D converter analog input pin				
	SEG29		LCDC SEG29 output pin				
	UO2		UART/SIO ch. 2 data output pin				
10	P16	M	General-purpose I/O port	Hysteresis	CMOS/ LCD	—	—
	SEG30		LCDC SEG30 output pin				
	PPG10		8/16-bit PPG ch. 1 output pin				
11	P15	M	General-purpose I/O port	Hysteresis	CMOS/ LCD	—	—
	SEG31		LCDC SEG31 output pin				
	PPG11		8/16-bit PPG ch. 1 output pin				
12	P14	H	General-purpose I/O port	Hysteresis	CMOS	—	O
	UCK0		UART/SIO ch. 0 clock I/O pin				
	EC0		8/16-bit composite timer ch. 0 clock input pin				
	TI0		16-bit reload timer ch. 0 input pin				
13	P13	H	General-purpose I/O port	Hysteresis	CMOS	—	O
	ADTG		8/12-bit A/D converter trigger input pin				
	TO01		8/16-bit composite timer ch. 0 output pin				
14	P12	D	General-purpose I/O port	Hysteresis	CMOS	O	—
	DBG		DBG input pin				
15	P11	H	General-purpose I/O port	Hysteresis	CMOS	—	O
	UO0		UART/SIO ch. 0 data output pin				
16	P10	G	General-purpose I/O port	CMOS	CMOS	—	O
	UI0		UART/SIO ch. 0 data input pin				
	TO0		16-bit reload timer ch. 0 output pin				
17	P23	I	General-purpose I/O port	CMOS	CMOS	O	—
	SDA		I <sup>2</sup> C bus interface ch. 0 data I/O pin				
18	P22	I	General-purpose I/O port	CMOS	CMOS	O	—
	SCL		I <sup>2</sup> C bus interface ch. 0 clock I/O pin				
19	P21	T	General-purpose I/O port	Hysteresis/ analog	CMOS	—	O
	PPG01		8/16-bit PPG ch. 0 output pin				
	CMP0_P		Comparator ch. 0 non-inverting analog input (positive input) pin				
20	P20	T	General-purpose I/O port	Hysteresis/ analog	CMOS	—	O
	PPG00		8/16-bit PPG ch. 0 output pin				
	CMP0_N		Comparator ch. 0 inverting analog input (negative input) pin				

Pin no.	Pin name	I/O circuit type*1	Function	I/O type			
				Input	Output	OD*2	PU*3
21	P90	R	General-purpose I/O port	Hysteresis/ LCD power supply	CMOS/ LCD power supply	—	—
	V4		LCD drive power supply pin				
22	P91	R	General-purpose I/O port	Hysteresis/ LCD power supply	CMOS/ LCD power supply	—	—
	V3		LCD drive power supply pin				
23	P92	R	General-purpose I/O port	Hysteresis/ LCD power supply	CMOS/ LCD power supply	—	—
	V2		LCD drive power supply pin				
24	P93	R	General-purpose I/O port	Hysteresis/ LCD power supply	CMOS/ LCD power supply	—	—
	V1		LCD drive power supply pin				
25	PA0	M	General-purpose I/O port	Hysteresis	CMOS/ LCD	—	—
	COM0		LCDC COM0 output pin				
26	PA1	M	General-purpose I/O port	Hysteresis	CMOS/ LCD	—	—
	COM1		LCDC COM1 output pin				
27	PA2	M	General-purpose I/O port	Hysteresis	CMOS/ LCD	—	—
	COM2		LCDC COM2 output pin				
28	PA3	M	General-purpose I/O port	Hysteresis	CMOS/ LCD	—	—
	COM3		LCDC COM3 output pin				
29	PA4	M	General-purpose I/O port	Hysteresis	CMOS/ LCD	—	—
	COM4		LCDC COM4 output pin				
30	PA5	M	General-purpose I/O port	Hysteresis	CMOS/ LCD	—	—
	COM5		LCDC COM5 output pin				
31	PA6	M	General-purpose I/O port	Hysteresis	CMOS/ LCD	—	—
	COM6		LCDC COM6 output pin				
32	PA7	M	General-purpose I/O port	Hysteresis	CMOS/ LCD	—	—
	COM7		LCDC COM7 output pin				
33	V <sub>ss</sub>	—	Power supply pin (GND)	—	—	—	—
34	PF1	B	General-purpose I/O port	Hysteresis	CMOS	—	—
	X1		Main clock I/O oscillation pin				
35	PF0	B	General-purpose I/O port	Hysteresis	CMOS	—	—
	X0		Main clock input oscillation pin				
36	C	—	Decoupling capacitor connection pin	—	—	—	—
37	PG2	C	General-purpose I/O port	Hysteresis	CMOS	—	O
	X1A		Subclock I/O oscillation pin				

Pin no.	Pin name	I/O circuit type*1	Function	I/O type			
				Input	Output	OD*2	PU*3
38	PG1	C	General-purpose I/O port	Hysteresis	CMOS	—	O
	X0A		Subclock input oscillation pin				
39	V <sub>CC</sub>	—	Power supply pin	—	—	—	—
40	PF2	A	General-purpose I/O port	Hysteresis	CMOS	O	—
	$\overline{\text{RST}}$		Reset pin Dedicated reset pin on MB95F774M/F776M/F778M				
41	P17	H	General-purpose I/O port	Hysteresis	CMOS	—	O
	CMP0_O		Comparator ch. 0 digital output pin				
42	PB0	M	General-purpose I/O port	Hysteresis	CMOS/ LCD	—	—
	SEG00		LCDC SEG00 output pin				
43	PB1	M	General-purpose I/O port	Hysteresis	CMOS/ LCD	—	—
	SEG01		LCDC SEG01 output pin				
44	PC0	M	General-purpose I/O port	Hysteresis	CMOS/ LCD	—	—
	SEG02		LCDC SEG02 output pin				
45	PC1	M	General-purpose I/O port	Hysteresis	CMOS/ LCD	—	—
	SEG03		LCDC SEG03 output pin				
46	PC2	M	General-purpose I/O port	Hysteresis	CMOS/ LCD	—	—
	SEG04		LCDC SEG04 output pin				
47	PC3	M	General-purpose I/O port	Hysteresis	CMOS/ LCD	—	—
	SEG05		LCDC SEG05 output pin				
48	P60	M	General-purpose I/O port	Hysteresis	CMOS/ LCD	—	—
	SEG06		LCDC SEG06 output pin				
49	P61	M	General-purpose I/O port	Hysteresis	CMOS/ LCD	—	—
	SEG07		LCDC SEG07 output pin				
50	P62	M	General-purpose I/O port	Hysteresis	CMOS/ LCD	—	—
	SEG08		LCDC SEG08 output pin				
51	P63	M	General-purpose I/O port	Hysteresis	CMOS/ LCD	—	—
	SEG09		LCDC SEG09 output pin				
52	P64	M	General-purpose I/O port	Hysteresis	CMOS/ LCD	—	—
	SEG10		LCDC SEG10 output pin				
53	P65	M	General-purpose I/O port	Hysteresis	CMOS/ LCD	—	—
	SEG11		LCDC SEG11 output pin				
54	P66	M	General-purpose I/O port	Hysteresis	CMOS/ LCD	—	—
	SEG12		LCDC SEG12 output pin				
55	P67	M	General-purpose I/O port	Hysteresis	CMOS/ LCD	—	—
	SEG13		LCDC SEG13 output pin				

Pin no.	Pin name	I/O circuit type*1	Function	I/O type			
				Input	Output	OD*2	PU*3
56	PE0	M	General-purpose I/O port	Hysteresis	CMOS/ LCD	—	—
	SEG14		LCDC SEG14 output pin				
57	PE1	M	General-purpose I/O port	Hysteresis	CMOS/ LCD	—	—
	SEG15		LCDC SEG15 output pin				
58	PE2	M	General-purpose I/O port	Hysteresis	CMOS/ LCD	—	—
	SEG16		LCDC SEG16 output pin				
59	PE3	M	General-purpose I/O port	Hysteresis	CMOS/ LCD	—	—
	SEG17		LCDC SEG17 output pin				
60	PE4	M	General-purpose I/O port	Hysteresis	CMOS/ LCD	—	—
	SEG18		LCDC SEG18 output pin				
61	PE5	M	General-purpose I/O port	Hysteresis	CMOS/ LCD	—	—
	SEG19		LCDC SEG19 output pin				
	TO11		8/16-bit composite timer ch. 1 output pin				
62	PE6	M	General-purpose I/O port	Hysteresis	CMOS/ LCD	—	—
	SEG20		LCDC SEG20 output pin				
	TO10		8/16-bit composite timer ch. 1 output pin				
63	PE7	M	General-purpose I/O port	Hysteresis	CMOS/ LCD	—	—
	SEG21		LCDC SEG21 output pin				
	EC1		8/16-bit composite timer ch. 1 clock input pin				
64	AV <sub>SS</sub>	—	Power supply pin (GND) for 8/12-bit A/D converter and comparator	—	—	—	—

O: Available

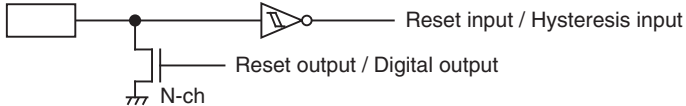
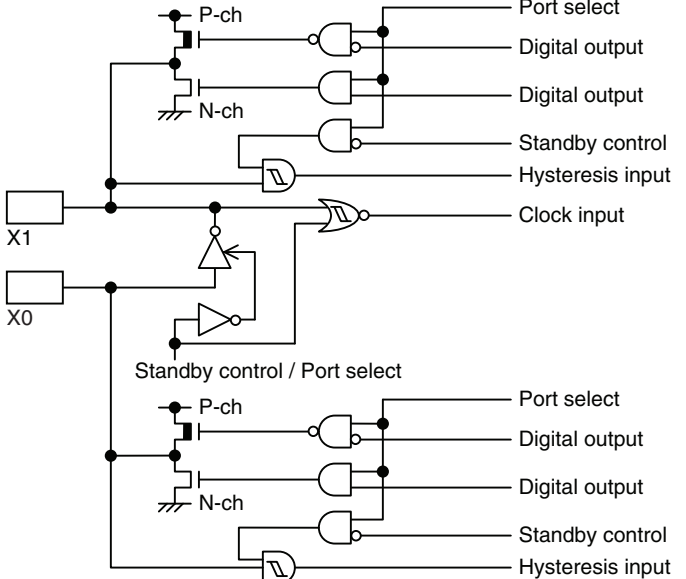
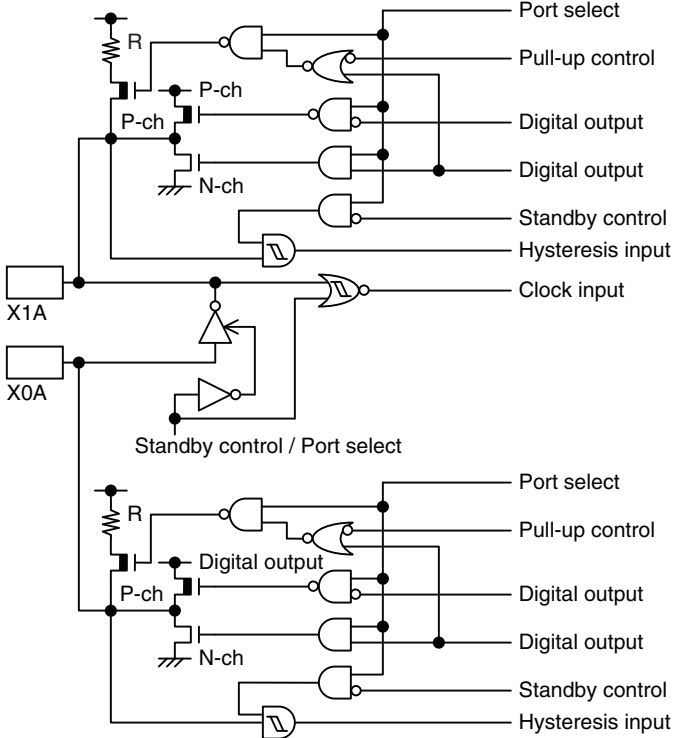
\*1: For the I/O circuit types, see “I/O Circuit Type”.

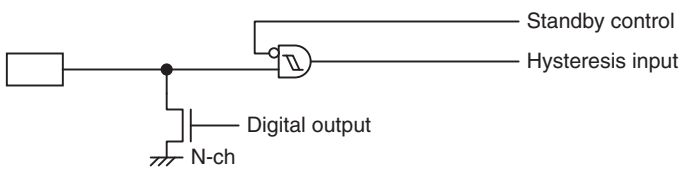
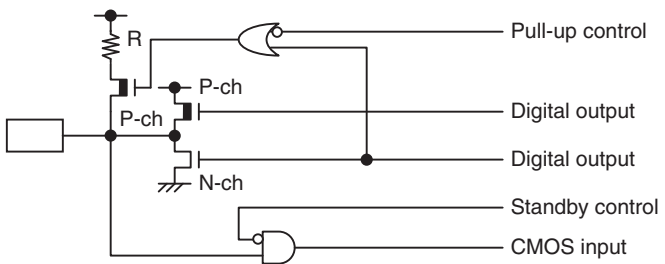
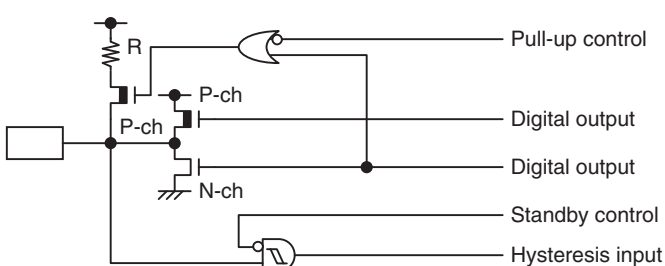
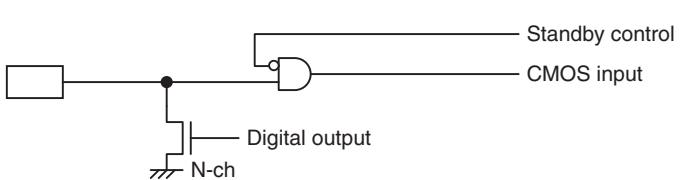
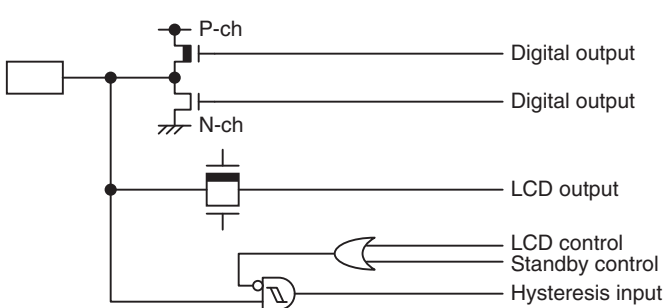
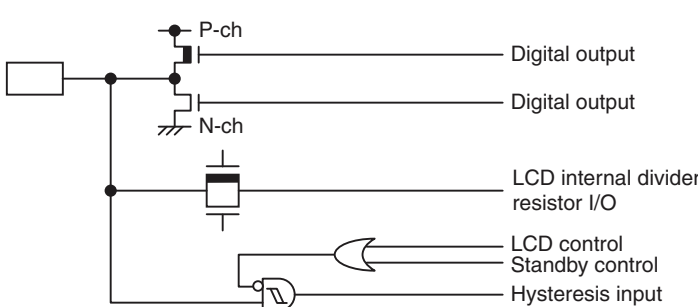
\*2: N-ch open drain

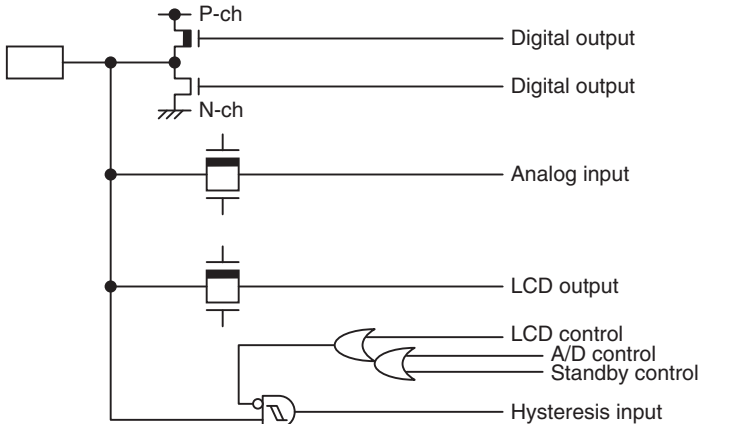
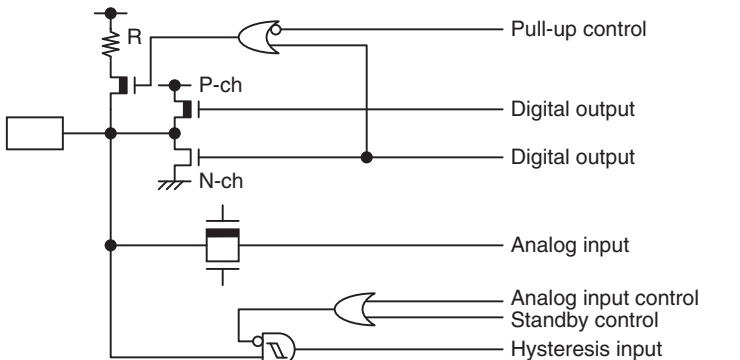
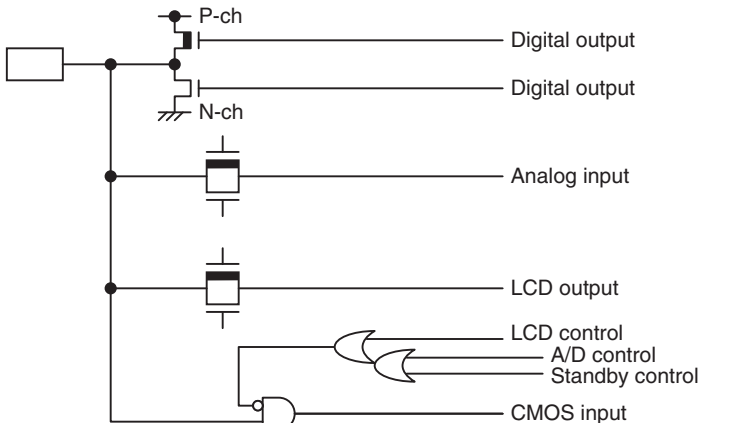
\*3: Pull-up

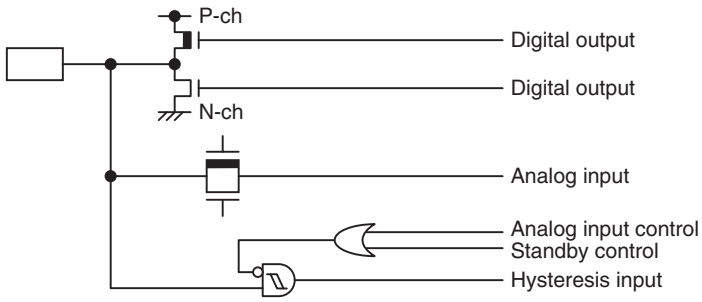
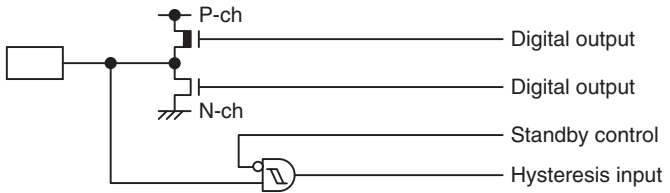


## 7. I/O Circuit Type

Type	Circuit	Remarks
A		<ul style="list-style-type: none"> <li>• N-ch open drain output</li> <li>• Hysteresis input</li> <li>• Reset output</li> </ul>
B		<ul style="list-style-type: none"> <li>• Oscillation circuit</li> <li>• High-speed side</li> <li>Feedback resistance: approx. 1 MΩ</li> <li>• CMOS output</li> <li>• Hysteresis input</li> </ul>
C		<ul style="list-style-type: none"> <li>• Oscillation circuit</li> <li>• Low-speed side</li> <li>Feedback resistance: approx. 10 MΩ</li> <li>• CMOS output</li> <li>• Hysteresis input</li> <li>• Pull-up control</li> </ul>

Type	Circuit	Remarks
D		<ul style="list-style-type: none"> <li>• N-ch open drain output</li> <li>• Hysteresis input</li> </ul>
G		<ul style="list-style-type: none"> <li>• CMOS output</li> <li>• CMOS input</li> <li>• Pull-up control</li> </ul>
H		<ul style="list-style-type: none"> <li>• CMOS output</li> <li>• Hysteresis input</li> <li>• Pull-up control</li> </ul>
I		<ul style="list-style-type: none"> <li>• N-ch open drain output</li> <li>• CMOS input</li> </ul>
M		<ul style="list-style-type: none"> <li>• CMOS output</li> <li>• LCD output</li> <li>• Hysteresis input</li> </ul>
R		<ul style="list-style-type: none"> <li>• CMOS output</li> <li>• LCD power supply</li> <li>• Hysteresis input</li> </ul>

Type	Circuit	Remarks
S		<ul style="list-style-type: none"> <li>• CMOS output</li> <li>• LCD output</li> <li>• Hysteresis input</li> <li>• Analog input</li> </ul>
T		<ul style="list-style-type: none"> <li>• CMOS output</li> <li>• Hysteresis input</li> <li>• Analog input</li> <li>• Pull-up control</li> </ul>
V		<ul style="list-style-type: none"> <li>• CMOS output</li> <li>• CMOS input</li> <li>• LCD output</li> <li>• Analog input</li> </ul>

Type	Circuit	Remarks
W	 <p>The diagram for Type W shows a CMOS output stage with a P-channel MOSFET and an N-channel MOSFET. The output node is connected to a digital output terminal. An analog input terminal is connected to the gates of both MOSFETs. A standby control terminal is connected to the gates through an AND gate. A hysteresis input terminal is connected to the gates through an AND gate. The gates are also connected to a common node that is connected to ground through a resistor.</p>	<ul style="list-style-type: none"> <li>• CMOS output</li> <li>• Hysteresis input</li> <li>• Analog input</li> </ul>
Y	 <p>The diagram for Type Y shows a CMOS output stage with a P-channel MOSFET and an N-channel MOSFET. The output node is connected to a digital output terminal. A standby control terminal is connected to the gates of both MOSFETs. A hysteresis input terminal is connected to the gates through an AND gate. The gates are also connected to a common node that is connected to ground through a resistor.</p>	<ul style="list-style-type: none"> <li>• CMOS output</li> <li>• Hysteresis input</li> </ul>

## 8. Handling Precautions

Any semiconductor devices have inherently a certain rate of failure. The possibility of failure is greatly affected by the conditions in which they are used (circuit conditions, environmental conditions, etc.). This page describes precautions that must be observed to minimize the chance of failure and to obtain higher reliability from your Cypress semiconductor devices.

### 8.1 Precautions for Product Design

This section describes precautions when designing electronic equipment using semiconductor devices.

- **Absolute Maximum Ratings**

Semiconductor devices can be permanently damaged by application of stress (voltage, current, temperature, etc.) in excess of certain established limits, called absolute maximum ratings. Do not exceed these ratings.

- **Recommended Operating Conditions**

Recommended operating conditions are normal operating ranges for the semiconductor device. All the device's electrical characteristics are warranted when operated within these ranges.

Always use semiconductor devices within the recommended operating conditions. Operation outside these ranges may adversely affect reliability and could result in device failure.

No warranty is made with respect to uses, operating conditions, or combinations not represented on the data sheet. Users considering application outside the listed conditions are advised to contact their sales representative beforehand.

- **Processing and Protection of Pins**

These precautions must be followed when handling the pins which connect semiconductor devices to power supply and input/output functions.

- (1) Preventing Over-Voltage and Over-Current Conditions

Exposure to voltage or current levels in excess of maximum ratings at any pin is likely to cause deterioration within the device, and in extreme cases leads to permanent damage of the device. Try to prevent such overvoltage or over-current conditions at the design stage.

- (2) Protection of Output Pins

Shorting of output pins to supply pins or other output pins, or connection to large capacitance can cause large current flows. Such conditions if present for extended periods of time can damage the device.

Therefore, avoid this type of connection.

- (3) Handling of Unused Input Pins

Unconnected input pins with very high impedance levels can adversely affect stability of operation. Such pins should be connected through an appropriate resistance to a power supply pin or ground pin.

- **Latch-up**

Semiconductor devices are constructed by the formation of P-type and N-type areas on a substrate. When subjected to abnormally high voltages, internal parasitic PNPN junctions (called thyristor structures) may be formed, causing large current levels in excess of several hundred mA to flow continuously at the power supply pin. This condition is called latch-up.

**CAUTION:** The occurrence of latch-up not only causes loss of reliability in the semiconductor device, but can cause injury or damage from high heat, smoke or flame. To prevent this from happening, do the following:

- (1) Be sure that voltages applied to pins do not exceed the absolute maximum ratings. This should include attention to abnormal noise, surge levels, etc.

(2) Be sure that abnormal current flows do not occur during the power-on sequence.

- **Observance of Safety Regulations and Standards**

Most countries in the world have established standards and regulations regarding safety, protection from electromagnetic interference, etc. Customers are requested to observe applicable regulations and standards in the design of products.

- **Fail-Safe Design**

Any semiconductor devices have inherently a certain rate of failure. You must protect against injury, damage or loss from such failures by incorporating safety design measures into your facility and equipment such as redundancy, fire protection, and prevention of over-current levels and other abnormal operating conditions.

- **Precautions Related to Usage of Devices**

Cypress semiconductor devices are intended for use in standard applications (computers, office automation and other office equipment, industrial, communications, and measurement equipment, personal or household devices, etc.).

CAUTION: Customers considering the use of our products in special applications where failure or abnormal operation may directly affect human lives or cause physical injury or property damage, or where extremely high levels of reliability are demanded (such as aerospace systems, atomic energy controls, sea floor repeaters, vehicle operating controls, medical devices for life support, etc.) are requested to consult with sales representatives before such use. The company will not be responsible for damages arising from such use without prior approval.

## 8.2 Precautions for Package Mounting

Package mounting may be either lead insertion type or surface mount type. In either case, for heat resistance during soldering, you should only mount under Cypress's recommended conditions. For detailed information about mount conditions, contact your sales representative.

- **Lead Insertion Type**

Mounting of lead insertion type packages onto printed circuit boards may be done by two methods: direct soldering on the board, or mounting by using a socket.

Direct mounting onto boards normally involves processes for inserting leads into through-holes on the board and using the flow soldering (wave soldering) method of applying liquid solder. In this case, the soldering process usually causes leads to be subjected to thermal stress in excess of the absolute ratings for storage temperature. Mounting processes should conform to Cypress recommended mounting conditions.

If socket mounting is used, differences in surface treatment of the socket contacts and IC lead surfaces can lead to contact deterioration after long periods. For this reason it is recommended that the surface treatment of socket contacts and IC leads be verified before mounting.

- **Surface Mount Type**

Surface mount packaging has longer and thinner leads than lead-insertion packaging, and therefore leads are more easily deformed or bent. The use of packages with higher pin counts and narrower pin pitch results in increased susceptibility to open connections caused by deformed pins, or shorting due to solder bridges.

You must use appropriate mounting techniques. Cypress recommends the solder reflow method, and has established a ranking of mounting conditions for each product. Users are advised to mount packages in accordance with Cypress ranking of recommended conditions.

- **Lead-Free Packaging**

CAUTION: When ball grid array (BGA) packages with Sn-Ag-Cu balls are mounted using Sn-Pb eutectic soldering, junction strength may be reduced under some conditions of use.

#### • Storage of Semiconductor Devices

Because plastic chip packages are formed from plastic resins, exposure to natural environmental conditions will cause absorption of moisture. During mounting, the application of heat to a package that has absorbed moisture can cause surfaces to peel, reducing moisture resistance and causing packages to crack. To prevent, do the following:

- (1) Avoid exposure to rapid temperature changes, which cause moisture to condense inside the product. Store products in locations where temperature changes are slight.
- (2) Use dry boxes for product storage. Products should be stored below 70% relative humidity, and at temperatures between 5°C and 30°C.  
When you open Dry Package that recommends humidity 40% to 70% relative humidity.
- (3) When necessary, Cypress packages semiconductor devices in highly moisture-resistant aluminum laminate bags, with a silica gel desiccant. Devices should be sealed in their aluminum laminate bags for storage.
- (4) Avoid storing packages where they are exposed to corrosive gases or high levels of dust.

#### • Baking

Packages that have absorbed moisture may be de-moisturized by baking (heat drying). Follow the Cypress recommended conditions for baking.

Condition: 125°C/24 h

#### • Static Electricity

Because semiconductor devices are particularly susceptible to damage by static electricity, you must take the following precautions:

- (1) Maintain relative humidity in the working environment between 40% and 70%.  
Use of an apparatus for ion generation may be needed to remove electricity.
- (2) Electrically ground all conveyors, solder vessels, soldering irons and peripheral equipment.
- (3) Eliminate static body electricity by the use of rings or bracelets connected to ground through high resistance (on the level of 1 MΩ).  
Wearing of conductive clothing and shoes, use of conductive floor mats and other measures to minimize shock loads is recommended.
- (4) Ground all fixtures and instruments, or protect with anti-static measures.
- (5) Avoid the use of styrofoam or other highly static-prone materials for storage of completed board assemblies.

### 8.3 Precautions for Use Environment

Reliability of semiconductor devices depends on ambient temperature and other conditions as described above.

For reliable performance, do the following:

#### (1) Humidity

Prolonged use in high humidity can lead to leakage in devices as well as printed circuit boards. If high humidity levels are anticipated, consider anti-humidity processing.

#### (2) Discharge of Static Electricity

When high-voltage charges exist close to semiconductor devices, discharges can cause abnormal operation. In such cases, use anti-static measures or processing to prevent discharges.

#### (3) Corrosive Gases, Dust, or Oil

Exposure to corrosive gases or contact with dust or oil may lead to chemical reactions that will adversely affect the device. If you use devices in such conditions, consider ways to prevent such exposure or to protect the devices.

#### (4) Radiation, Including Cosmic Radiation

Most devices are not designed for environments involving exposure to radiation or cosmic radiation. Users should provide shielding as appropriate.

#### (5) Smoke, Flame

CAUTION: Plastic molded devices are flammable, and therefore should not be used near combustible substances. If devices begin to smoke or burn, there is danger of the release of toxic gases.

Customers considering the use of Cypress products in other special environmental conditions should consult with sales representatives.

## 9. Notes On Device Handling

- Preventing latch-ups

When using the device, ensure that the voltage applied does not exceed the maximum voltage rating.

In a CMOS IC, if a voltage higher than  $V_{CC}$  or a voltage lower than  $V_{SS}$  is applied to an input/output pin that is neither a medium-withstand voltage pin nor a high-withstand voltage pin, or if a voltage out of the rating range of power supply voltage mentioned in “22.1 Absolute Maximum Ratings” of “Electrical Characteristics” is applied to the  $V_{CC}$  pin or the  $V_{SS}$  pin, a latch-up may occur.

When a latch-up occurs, power supply current increases significantly, which may cause a component to be thermally destroyed.

- Stabilizing supply voltage

Supply voltage must be stabilized.

A malfunction may occur when power supply voltage fluctuates rapidly even though the fluctuation is within the guaranteed operating range of the  $V_{CC}$  power supply voltage.

As a rule of voltage stabilization, suppress voltage fluctuation so that the fluctuation in  $V_{CC}$  ripple (p-p value) at the commercial frequency (50 Hz/60 Hz) does not exceed 10% of the standard  $V_{CC}$  value, and the transient fluctuation rate does not exceed 0.1 V/ms at a momentary fluctuation such as switching the power supply.

- Notes on using the external clock

When an external clock is used, oscillation stabilization wait time is required for power-on reset, wake-up from sub-clock mode or stop mode.

## 10. Pin Connection

- Treatment of unused pins

If an unused input pin is left unconnected, a component may be permanently damaged due to malfunctions or latch-ups. Always pull up or pull down an unused input pin through a resistor of at least 2 k $\Omega$ . Set an unused input/output pin to the output state and leave it unconnected, or set it to the input state and treat it the same as an unused input pin. If there is an unused output pin, leave it unconnected.

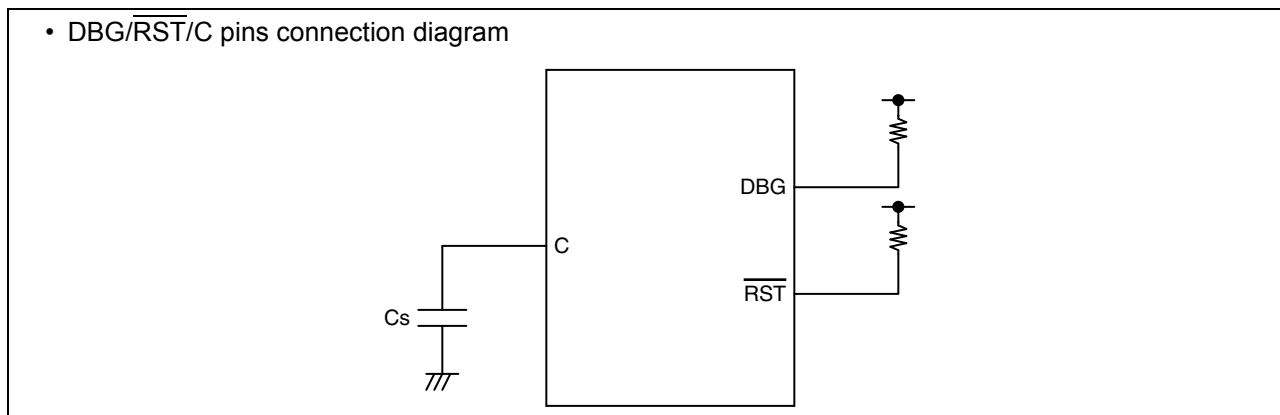
- Power supply pins

To reduce unnecessary electro-magnetic emission, prevent malfunctions of strobe signals due to an increase in the ground level, and conform to the total output current standard, always connect the  $V_{CC}$  pin and the  $V_{SS}$  pin to the power supply and ground outside the device. In addition, connect the current supply source to the  $V_{CC}$  pin and the  $V_{SS}$  pin with low impedance.

It is also advisable to connect a ceramic capacitor of approximately 1.0  $\mu$ F as a bypass capacitor between the  $V_{CC}$  pin and the  $V_{SS}$  pin at a location close to this device.

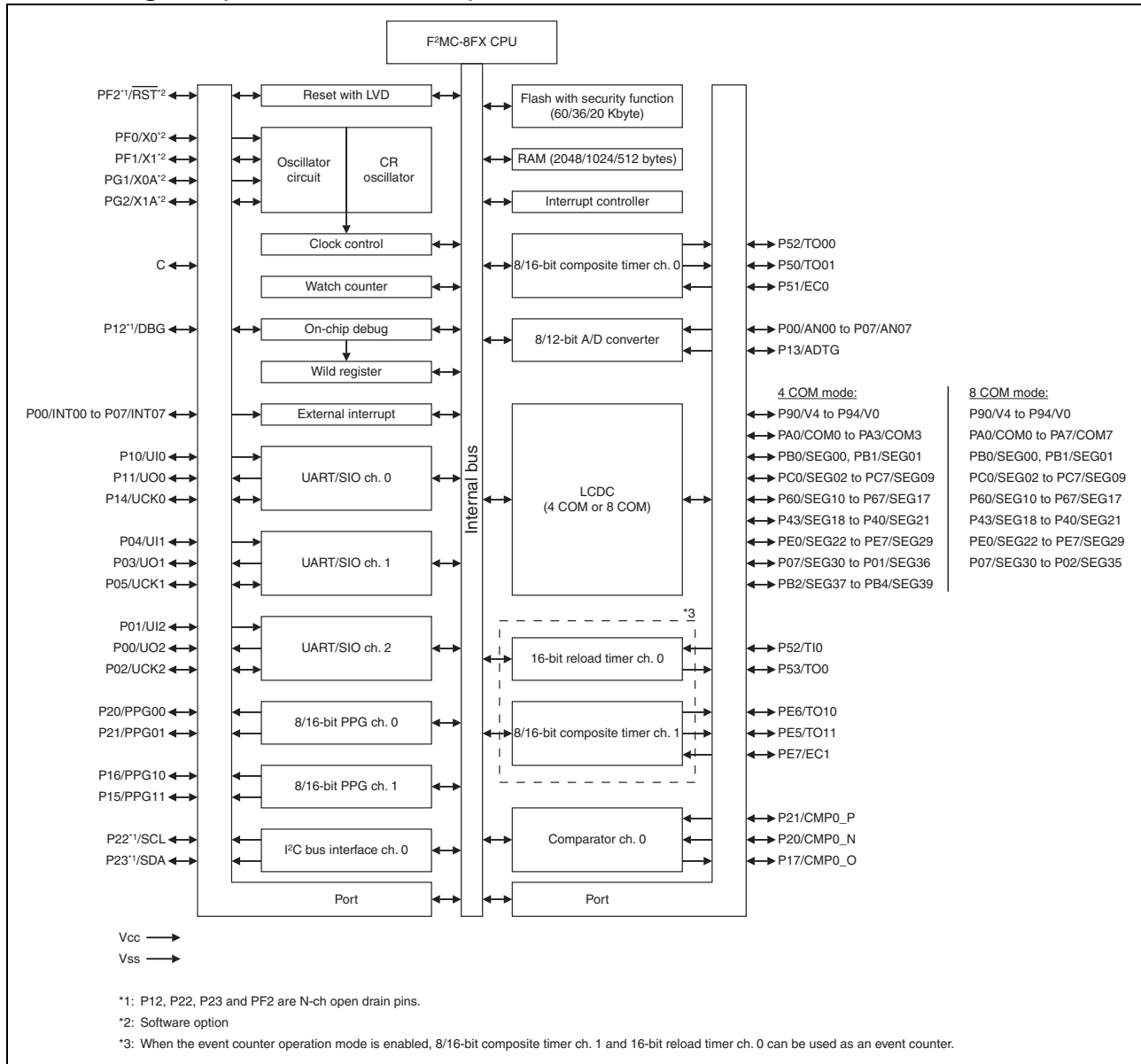


- **DBG pin**  
 Connect the DBG pin to an external pull-up resistor of 2 kΩ or above.  
 After power-on, ensure that the DBG pin does not stay at “L” level until the reset output is released.  
 The DBG pin becomes a communication pin in debug mode. Since the actual pull-up resistance depends on the tool used and the interconnection length, refer to the tool document when selecting a pull-up resistor.
- **$\overline{\text{RST}}$  pin**  
 Connect the  $\overline{\text{RST}}$  pin to an external pull-up resistor of 2 kΩ or above.  
 To prevent the device from unintentionally entering the reset mode due to noise, minimize the interconnection length between a pull-up resistor and the  $\overline{\text{RST}}$  pin and that between a pull-up resistor and the V<sub>CC</sub> pin when designing the layout of the printed circuit board.  
 The PF2/ $\overline{\text{RST}}$  pin functions as the reset input/output pin after power-on. In addition, the reset output of the PF2/ $\overline{\text{RST}}$  pin can be enabled by the RSTOE bit in the SYSC register, and the reset input function and the general-purpose I/O function can be selected by the RSTEN bit in the SYSC register.
- **Analog power supply**  
 Always set the same potential to the AV<sub>CC</sub> pin and the V<sub>CC</sub> pin. When V<sub>CC</sub> is larger than AV<sub>CC</sub>, the current may flow through the AN00 to AN07 pins.
- **Treatment of power supply pins on the 8/12-bit A/D converter**  
 Ensure that AV<sub>CC</sub> is equal to V<sub>CC</sub> and AV<sub>SS</sub> equal to V<sub>SS</sub> even when the 8/12-bit A/D converter is not in use.  
 Noise riding on the AV<sub>CC</sub> pin may cause accuracy degradation. Therefore, connect a ceramic capacitor of 0.1 μF (approx.) as a bypass capacitor between the AV<sub>CC</sub> pin and the AV<sub>SS</sub> pin in the vicinity of this device.
- **C pin**  
 Use a ceramic capacitor or a capacitor with equivalent frequency characteristics. The decoupling capacitor for the V<sub>CC</sub> pin must have a capacitance equal to or larger than the capacitance of C<sub>s</sub>. For the connection to a decoupling capacitor C<sub>s</sub>, see the diagram below. To prevent the device from unintentionally entering a mode to which the device is not set to transit due to noise, minimize the distance between the C pin and C<sub>s</sub> and the distance between C<sub>s</sub> and the V<sub>SS</sub> pin when designing the layout of a printed circuit board.

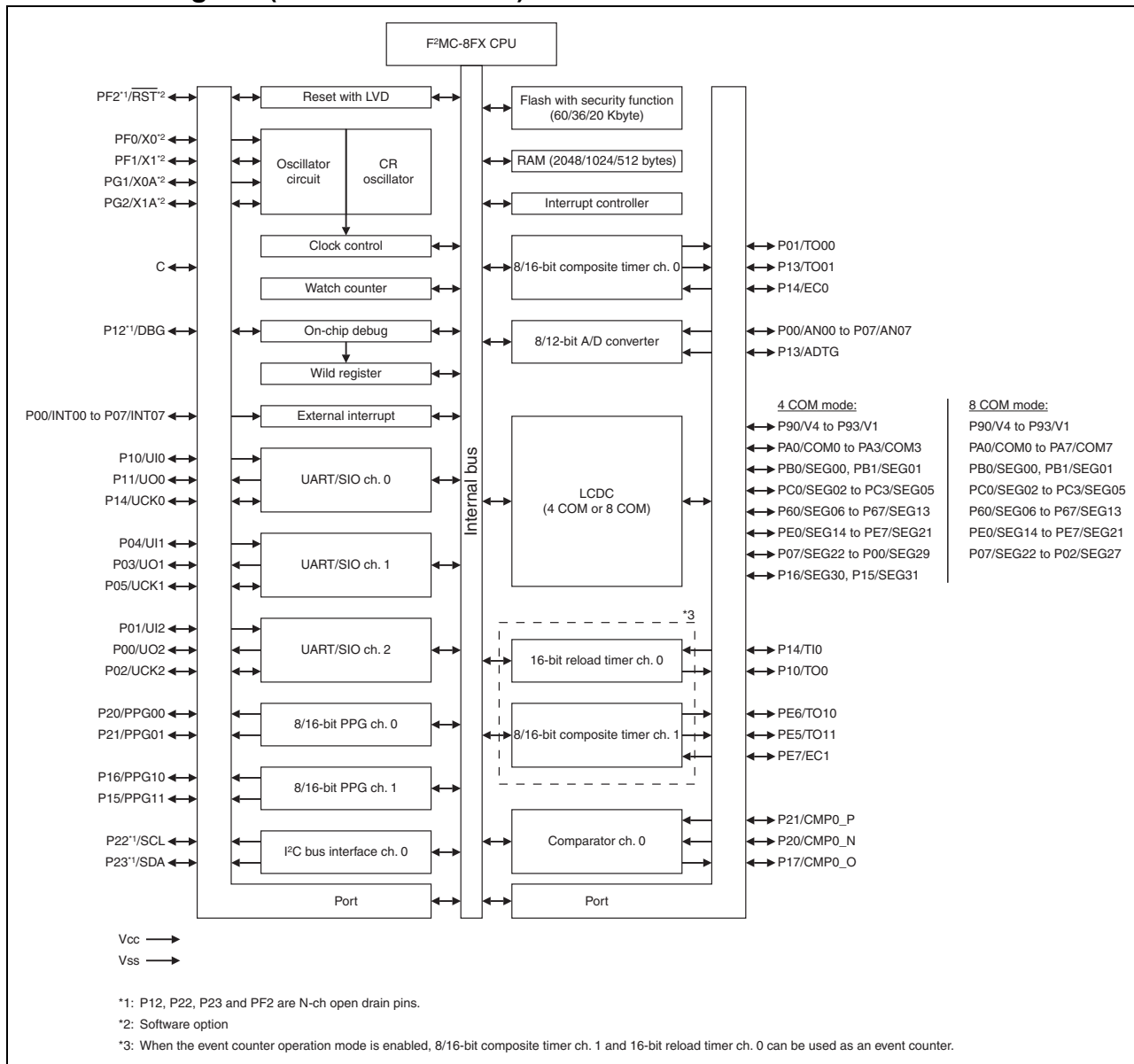


- **Note on serial communication**  
 In serial communication, reception of wrong data may occur due to noise or other causes. Therefore, design a printed circuit board to prevent noise from occurring. Taking account of the reception of wrong data, take measures such as adding a checksum to the end of data in order to detect errors. If an error is detected, retransmit the data.

### 11. Block Diagram (MB95710M Series)



## 12. Block Diagram (MB95770M Series)

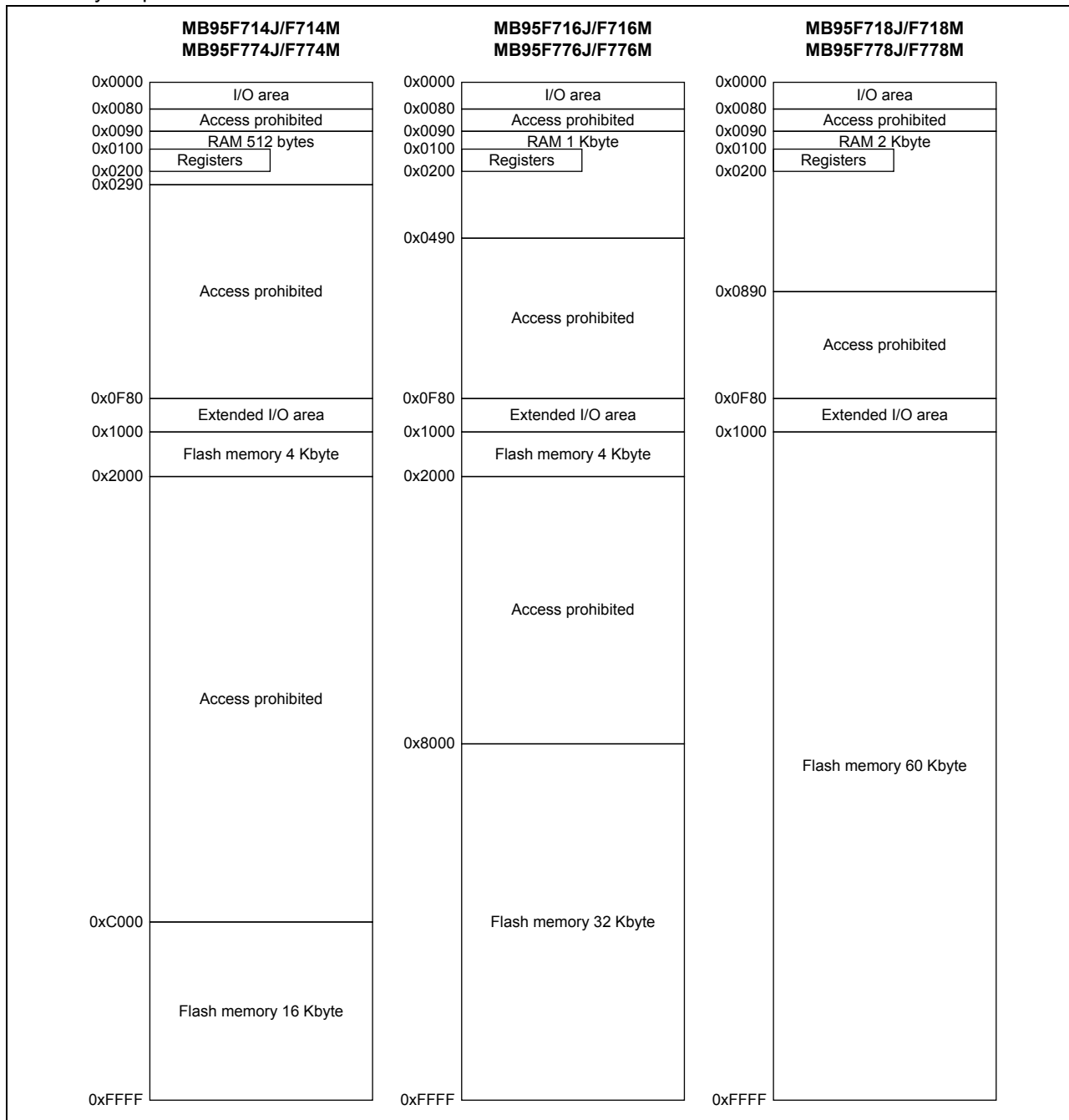


### 13. CPU Core

- Memory space

The memory space of the MB95710M/770M Series is 64 Kbyte in size, and consists of an I/O area, an extended I/O area, a data area, and a program area. The memory space includes areas intended for specific purposes such as general-purpose registers and a vector table. The memory maps of the MB95710M/770M Series are shown below.

- Memory maps

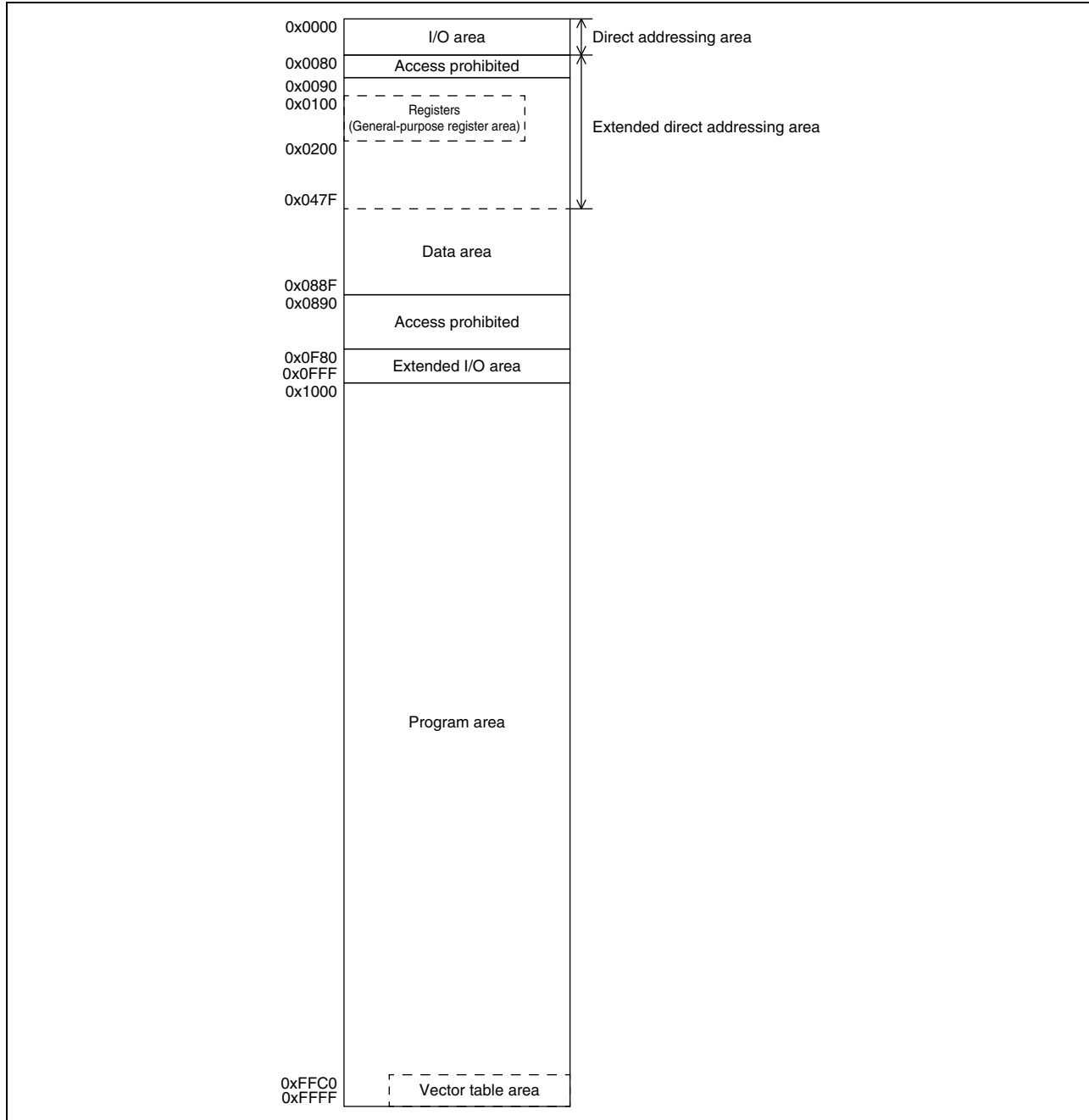


## 14. Memory Space

The memory space of the MB95710M/770M Series is 64 Kbyte in size, and consists of an I/O area, an extended I/O area, a data area, and a program area. The memory space includes areas for specific applications such as general-purpose registers and a vector table.

- I/O area (addresses: 0x0000 to 0x007F)
  - This area contains the control registers and data registers for built-in peripheral functions.
  - As the I/O area forms part of the memory space, it can be accessed in the same way as the memory. It can also be accessed at high-speed by using direct addressing instructions.
- Extended I/O area (addresses: 0x0F80 to 0x0FFF)
  - This area contains the control registers and data registers for built-in peripheral functions.
  - As the extended I/O area forms part of the memory space, it can be accessed in the same way as the memory.
- Data area
  - Static RAM is incorporated in the data area as the internal data area.
  - The internal RAM size varies according to product.
  - The RAM area from 0x0090 to 0x00FF can be accessed at high-speed by using direct addressing instructions.
  - In MB95F716J/F716M/F718J/F718M/F776J/F776M/F778J/F778M, the area from 0x0090 to 0x047F is an extended direct addressing area. It can be accessed at high-speed by direct addressing instructions with a direct bank pointer set.
  - In MB95F714J/F714M/F774J/F774M, the area from 0x0090 to 0x028F is an extended direct addressing area. It can be accessed at high-speed by direct addressing instructions with a direct bank pointer set.
  - The area from 0x0100 to 0x01FF can be used as a general-purpose register area.
- Program area
  - The Flash memory is incorporated in the program area as the internal program area.
  - The Flash memory size varies according to product.
  - The area from 0xFFC0 to 0xFFFF is used as the vector table.
  - The area from 0xFFBB to 0xFFBF is used to store data of the non-volatile register.

• Memory space map



## 15. Areas For Specific Applications

The general-purpose register area and vector table area are used for the specific applications.

- General-purpose register area (Addresses: 0x0100 to 0x01FF)
  - This area contains the auxiliary registers used for 8-bit arithmetic operations, transfer, etc.
  - As this area forms part of the RAM area, it can also be used as conventional RAM.
  - When the area is used as general-purpose registers, general-purpose register addressing enables high-speed access with short instructions.
- Non-volatile register data area (Addresses: 0xFFBB to 0xFFBF)
  - The area from 0xFFBB to 0xFFBF is used to store data of the non-volatile register. For details, refer to “CHAPTER 28 NON-VOLATILE REGISTER (NVR) INTERFACE” in “New 8FX MB95710M/770M Series Hardware Manual”
- Vector table area (Addresses: 0xFFC0 to 0xFFFF)
  - This area is used as the vector table for vector call instructions (CALLV), interrupts, and resets.
  - The top of the Flash memory area is allocated to the vector table area. The start address of a service routine is set to an address in the vector table in the form of data.

“Interrupt Source Table” lists the vector table addresses corresponding to vector call instructions, interrupts, and resets.

For details, refer to “CHAPTER 4 RESET”, “CHAPTER 5 INTERRUPTS”, and “A.2 Special Instruction ■ Special Instruction ● CALLV #vct” in “APPENDIX” in “New 8FX MB95710M/770M Series Hardware Manual”.

- Direct bank pointer and access area

Direct bank pointer (DP[2:0])	Operand-specified dir	Access area
0bXXX (It does not affect mapping.)	0x0000 to 0x007F	0x0000 to 0x007F
0b000 (Initial value)	0x0090 to 0x00FF	0x0090 to 0x00FF
0b001	0x0080 to 0x00FF	0x0100 to 0x017F
0b010		0x0180 to 0x01FF
0b011		0x0200 to 0x027F
0b100		0x0280 to 0x02FF*
0b101		0x0300 to 0x037F
0b110		0x0380 to 0x03FF
0b111		0x0400 to 0x047F

\*: Due to the memory size limit, the available access area is up to “0x028F” in MB95F714J/F714M/F774J/F774M.

**16. I/O Map (MB95710M Series)**

Address	Register abbreviation	Register name	R/W	Initial value
0x0000	PDR0	Port 0 data register	R/W	0b00000000
0x0001	DDR0	Port 0 direction register	R/W	0b00000000
0x0002	PDR1	Port 1 data register	R/W	0b00000000
0x0003	DDR1	Port 1 direction register	R/W	0b00000000
0x0004	—	(Disabled)	—	—
0x0005	WATR	Oscillation stabilization wait time setting register	R/W	0b11111111
0x0006	PLL	PLL control register	R/W	0b000X0000
0x0007	SYCC	System clock control register	R/W	0bXXX11011
0x0008	STBC	Standby control register	R/W	0b00000000
0x0009	RSRR	Reset source register	R/W	0b000XXXXX
0x000A	TBTC	Time-base timer control register	R/W	0b00000000
0x000B	WPCR	Watch prescaler control register	R/W	0b00000000
0x000C	WDTC	Watchdog timer control register	R/W	0b00XX0000
0x000D	SYCC2	System clock control register 2	R/W	0bXXXX0011
0x000E	PDR2	Port 2 data register	R/W	0b00000000
0x000F	DDR2	Port 2 direction register	R/W	0b00000000
0x0010, 0x0011	—	(Disabled)	—	—
0x0012	PDR4	Port 4 data register	R/W	0b00000000
0x0013	DDR4	Port 4 direction register	R/W	0b00000000
0x0014	PDR5	Port 5 data register	R/W	0b00000000
0x0015	DDR5	Port 5 direction register	R/W	0b00000000
0x0016	PDR6	Port 6 data register	R/W	0b00000000
0x0017	DDR6	Port 6 direction register	R/W	0b00000000
0x0018 to 0x001B	—	(Disabled)	—	—
0x001C	PDR9	Port 9 data register	R/W	0b00000000
0x001D	DDR9	Port 9 direction register	R/W	0b00000000
0x001E	PDRA	Port A data register	R/W	0b00000000
0x001F	DDRA	Port A direction register	R/W	0b00000000
0x0020	PDRB	Port B data register	R/W	0b00000000
0x0021	DDRB	Port B direction register	R/W	0b00000000
0x0022	PDRC	Port C data register	R/W	0b00000000
0x0023	DDRC	Port C direction register	R/W	0b00000000
0x0024, 0x0025	—	(Disabled)	—	—



Address	Register abbreviation	Register name	R/W	Initial value
0x0026	PDRE	Port E data register	R/W	0b00000000
0x0027	DDRE	Port E direction register	R/W	0b00000000
0x0028	PDRF	Port F data register	R/W	0b00000000
0x0029	DDRF	Port F direction register	R/W	0b00000000
0x002A	PDRG	Port G data register	R/W	0b00000000
0x002B	DDRG	Port G direction register	R/W	0b00000000
0x002C	—	(Disabled)	—	—
0x002D	PUL1	Port 1 pull-up register	R/W	0b00000000
0x002E	PUL2	Port 2 pull-up register	R/W	0b00000000
0x002F, 0x0030	—	(Disabled)	—	—
0x0031	PUL5	Port 5 pull-up register	R/W	0b00000000
0x0032 to 0x0034	—	(Disabled)	—	—
0x0035	PULG	Port G pull-up register	R/W	0b00000000
0x0036	T01CR1	8/16-bit composite timer 01 status control register 1	R/W	0b00000000
0x0037	T00CR1	8/16-bit composite timer 00 status control register 1	R/W	0b00000000
0x0038	T11CR1	8/16-bit composite timer 11 status control register 1	R/W	0b00000000
0x0039	T10CR1	8/16-bit composite timer 10 status control register 1	R/W	0b00000000
0x003A	PC01	8/16-bit PPG timer 01 control register	R/W	0b00000000
0x003B	PC00	8/16-bit PPG timer 00 control register	R/W	0b00000000
0x003C	PC11	8/16-bit PPG timer 11 control register	R/W	0b00000000
0x003D	PC10	8/16-bit PPG timer 10 control register	R/W	0b00000000
0x003E	TMCSRH0	16-bit reload timer control status register (upper) ch. 0	R/W	0b00000000
0x003F	TMCSRL0	16-bit reload timer control status register (lower) ch. 0	R/W	0b00000000
0x0040 to 0x0047	—	(Disabled)	—	—
0x0048	EIC00	External interrupt circuit control register ch. 0/ch. 1	R/W	0b00000000
0x0049	EIC10	External interrupt circuit control register ch. 2/ch. 3	R/W	0b00000000
0x004A	EIC20	External interrupt circuit control register ch. 4/ch. 5	R/W	0b00000000
0x004B	EIC30	External interrupt circuit control register ch. 6/ch. 7	R/W	0b00000000
0x004C, 0x004D	—	(Disabled)	—	—
0x004E	LVDC	LVD control register	R/W	0b00000100
0x004F	LCDC2	LCDC control register 2	R/W	0b00010100
0x0050	CMR0	Comparator control register ch. 0	R/W	0b00000001

Address	Register abbreviation	Register name	R/W	Initial value
0x0051 to 0x0055	—	(Disabled)	—	—
0x0056	SMC10	UART/SIO serial mode control register 1 ch. 0	R/W	0b00000000
0x0057	SMC20	UART/SIO serial mode control register 2 ch. 0	R/W	0b00100000
0x0058	SSR0	UART/SIO serial status and data register ch. 0	R/W	0b00000001
0x0059	TDR0	UART/SIO serial output data register ch. 0	R/W	0b00000000
0x005A	RDR0	UART/SIO serial input data register ch. 0	R	0b00000000
0x005B	SMC11	UART/SIO serial mode control register 1 ch. 1	R/W	0b00000000
0x005C	SMC21	UART/SIO serial mode control register 2 ch. 1	R/W	0b00100000
0x005D	SSR1	UART/SIO serial status and data register ch. 1	R/W	0b00000001
0x005E	TDR1	UART/SIO serial output data register ch. 1	R/W	0b00000000
0x005F	RDR1	UART/SIO serial input data register ch. 1	R	0b00000000
0x0060	IBCR00	I <sup>2</sup> C bus control register 0 ch. 0	R/W	0b00000000
0x0061	IBCR10	I <sup>2</sup> C bus control register 1 ch. 0	R/W	0b00000000
0x0062	IBSR0	I <sup>2</sup> C bus status register ch. 0	R/W	0b00000000
0x0063	IDDR0	I <sup>2</sup> C data register ch. 0	R/W	0b00000000
0x0064	IAAR0	I <sup>2</sup> C address register ch. 0	R/W	0b00000000
0x0065	ICCR0	I <sup>2</sup> C clock control register ch. 0	R/W	0b00000000
0x0066	SMC12	UART/SIO serial mode control register 1 ch. 2	R/W	0b00000000
0x0067	SMC22	UART/SIO serial mode control register 2 ch. 2	R/W	0b00100000
0x0068	SSR2	UART/SIO serial status and data register ch. 2	R/W	0b00000001
0x0069	TDR2	UART/SIO serial output data register ch. 2	R/W	0b00000000
0x006A	RDR2	UART/SIO serial input data register ch. 2	R	0b00000000
0x006B	ADC3	8/12-bit A/D converter control register 3	R/W	0b01111100
0x006C	ADC1	8/12-bit A/D converter control register 1	R/W	0b00000000
0x006D	ADC2	8/12-bit A/D converter control register 2	R/W	0b00000000
0x006E	ADDH	8/12-bit A/D converter data register (upper)	R/W	0b00000000
0x006F	ADDL	8/12-bit A/D converter data register (lower)	R/W	0b00000000
0x0070	WCSR	Watch counter control register	R/W	0b00000000
0x0071	FSR2	Flash memory status register 2	R/W	0b00000000
0x0072	FSR	Flash memory status register	R/W	0b000X0000
0x0073	SWRE0	Flash memory sector write control register 0	R/W	0b00000000
0x0074	FSR3	Flash memory status register 3	R	0b000XXXXX
0x0075	FSR4	Flash memory status register 4	R/W	0b00000000
0x0076	WREN	Wild register address compare enable register	R/W	0b00000000
0x0077	WROR	Wild register data test setting register	R/W	0b00000000

Address	Register abbreviation	Register name	R/W	Initial value
0x0078	—	Mirror of register bank pointer (RP) and direct bank pointer (DP)	—	—
0x0079	ILR0	Interrupt level setting register 0	R/W	0b11111111
0x007A	ILR1	Interrupt level setting register 1	R/W	0b11111111
0x007B	ILR2	Interrupt level setting register 2	R/W	0b11111111
0x007C	ILR3	Interrupt level setting register 3	R/W	0b11111111
0x007D	ILR4	Interrupt level setting register 4	R/W	0b11111111
0x007E	ILR5	Interrupt level setting register 5	R/W	0b11111111
0x007F	—	(Disabled)	—	—
0x0F80	WRARH0	Wild register address setting register (upper) ch. 0	R/W	0b00000000
0x0F81	WRARL0	Wild register address setting register (lower) ch. 0	R/W	0b00000000
0x0F82	WRDR0	Wild register data setting register ch. 0	R/W	0b00000000
0x0F83	WRARH1	Wild register address setting register (upper) ch. 1	R/W	0b00000000
0x0F84	WRARL1	Wild register address setting register (lower) ch. 1	R/W	0b00000000
0x0F85	WRDR1	Wild register data setting register ch. 1	R/W	0b00000000
0x0F86	WRARH2	Wild register address setting register (upper) ch. 2	R/W	0b00000000
0x0F87	WRARL2	Wild register address setting register (lower) ch. 2	R/W	0b00000000
0x0F88	WRDR2	Wild register data setting register ch. 2	R/W	0b00000000
0x0F89 to 0x0F91	—	(Disabled)	—	—
0x0F92	T01CR0	8/16-bit composite timer 01 status control register 0	R/W	0b00000000
0x0F93	T00CR0	8/16-bit composite timer 00 status control register 0	R/W	0b00000000
0x0F94	T01DR	8/16-bit composite timer 01 data register	R/W	0b00000000
0x0F95	T00DR	8/16-bit composite timer 00 data register	R/W	0b00000000
0x0F96	TMCR0	8/16-bit composite timer 00/01 timer mode control register	R/W	0b00000000
0x0F97	T11CR0	8/16-bit composite timer 11 status control register 0	R/W	0b00000000
0x0F98	T10CR0	8/16-bit composite timer 10 status control register 0	R/W	0b00000000
0x0F99	T11DR	8/16-bit composite timer 11 data register	R/W	0b00000000
0x0F9A	T10DR	8/16-bit composite timer 10 data register	R/W	0b00000000
0x0F9B	TMCR1	8/16-bit composite timer 10/11 timer mode control register	R/W	0b00000000
0x0F9C	PPS01	8/16-bit PPG01 cycle setting buffer register	R/W	0b11111111
0x0F9D	PPS00	8/16-bit PPG00 cycle setting buffer register	R/W	0b11111111
0x0F9E	PDS01	8/16-bit PPG01 duty setting buffer register	R/W	0b11111111
0x0F9F	PDS00	8/16-bit PPG00 duty setting buffer register	R/W	0b11111111
0x0FA0	PPS11	8/16-bit PPG11 cycle setting buffer register	R/W	0b11111111

Address	Register abbreviation	Register name	R/W	Initial value
0x0FA1	PPS10	8/16-bit PPG10 cycle setting buffer register	R/W	0b11111111
0x0FA2	PDS11	8/16-bit PPG11 duty setting buffer register	R/W	0b11111111
0x0FA3	PDS10	8/16-bit PPG10 duty setting buffer register	R/W	0b11111111
0x0FA4	PPGS	8/16-bit PPG start register	R/W	0b00000000
0x0FA5	REVC	8/16-bit PPG output inversion register	R/W	0b00000000
0x0FA6	TMRH0	16-bit reload timer timer register (upper) ch. 0	R/W	0b00000000
	TMRLRH0	16-bit reload timer reload register (upper) ch. 0		
0x0FA7	TMRL0	16-bit reload timer timer register (lower) ch. 0	R/W	0b00000000
	TMRLRL0	16-bit reload timer reload register (lower) ch. 0		
0x0FA8	PSSR0	UART/SIO dedicated baud rate generator prescaler select register ch. 0	R/W	0b00000000
0x0FA9	BRSR0	UART/SIO dedicated baud rate generator baud rate setting register ch. 0	R/W	0b00000000
0x0FAA	PSSR1	UART/SIO dedicated baud rate generator prescaler select register ch. 1	R/W	0b00000000
0x0FAB	BRSR1	UART/SIO dedicated baud rate generator baud rate setting register ch. 1	R/W	0b00000000
0x0FAC	PSSR2	UART/SIO dedicated baud rate generator prescaler select register ch. 2	R/W	0b00000000
0x0FAD	BRSR2	UART/SIO dedicated baud rate generator baud rate setting register ch. 2	R/W	0b00000000
0x0FAE	—	(Disabled)	—	—
0x0FAF	AIDRL	A/D input disable register (lower)	R/W	0b00000000
0x0FB0	LCDC1	LCDC control register 1	R/W	0b00000000
0x0FB1	—	(Disabled)	—	—
0x0FB2	LCDCE1	LCDC enable register 1	R/W	0b00111110
0x0FB3	LCDCE2	LCDC enable register 2	R/W	0b00000000
0x0FB4	LCDCE3	LCDC enable register 3	R/W	0b00000000
0x0FB5	LCDCE4	LCDC enable register 4	R/W	0b00000000
0x0FB6	LCDCE5	LCDC enable register 5	R/W	0b00000000
0x0FB7	LCDCE6	LCDC enable register 6	R/W	0b00000000
0x0FB8	LCDCE7	LCDC enable register 7	R/W	0b00000000
0x0FB9	LCDCB1	LCDC blinking setting register 1	R/W	0b00000000
0x0FBA	LCDCB2	LCDC blinking setting register 2	R/W	0b00000000
0x0FBB, 0x0FBC	—	(Disabled)	—	—
0x0FBD to 0x0FE0	LCDRAM	LCDC display RAM (36 bytes)	R/W	0b00000000

Address	Register abbreviation	Register name	R/W	Initial value
0x0FE1	—	(Disabled)	—	—
0x0FE2	EVCR	Event counter control register	R/W	0b00000000
0x0FE3	WCDR	Watch counter data register	R/W	0b00111111
0x0FE4	CRTH	Main CR clock trimming register (upper)	R/W	0b000XXXXX
0x0FE5	CRTL	Main CR clock trimming register (lower)	R/W	0b000XXXXX
0x0FE6	SYSC2	System configuration register 2	R/W	0b00000000
0x0FE7	CRTDA	Main CR clock temperature dependent adjustment register	R/W	0b000XXXXX
0x0FE8	SYSC	System configuration register	R/W	0b00111111
0x0FE9	CMCR	Clock monitoring control register	R/W	0b00000000
0x0FEA	CMDR	Clock monitoring data register	R	0b00000000
0x0FEB	WDTH	Watchdog timer selection ID register (upper)	R	0bXXXXXXXXXX
0x0FEC	WDTL	Watchdog timer selection ID register (lower)	R	0bXXXXXXXXXX
0x0FED, 0x0FEE	—	(Disabled)	—	—
0x0FEF	WICR	Interrupt pin selection circuit control register	R/W	0b01000000
0x0FF0 to 0x0FFF	—	(Disabled)	—	—

- R/W access symbols  
R/W : Readable/Writable  
R : Read only
- Initial value symbols  
0 : The initial value of this bit is “0”.  
1 : The initial value of this bit is “1”.  
X : The initial value of this bit is undefined.

Note: Do not write to an address that is “(Disabled)”. If a “(Disabled)” address is read, an indeterminate value is returned.

**17. I/O Map (MB95770M Series)**

Address	Register abbreviation	Register name	R/W	Initial value
0x0000	PDR0	Port 0 data register	R/W	0b00000000
0x0001	DDR0	Port 0 direction register	R/W	0b00000000
0x0002	PDR1	Port 1 data register	R/W	0b00000000
0x0003	DDR1	Port 1 direction register	R/W	0b00000000
0x0004	—	(Disabled)	—	—
0x0005	WATR	Oscillation stabilization wait time setting register	R/W	0b11111111
0x0006	PLLC	PLL control register	R/W	0b000X0000
0x0007	SYCC	System clock control register	R/W	0bXXX11011
0x0008	STBC	Standby control register	R/W	0b00000000
0x0009	RSRR	Reset source register	R/W	0b000XXXXX
0x000A	TBTC	Time-base timer control register	R/W	0b00000000
0x000B	WPCR	Watch prescaler control register	R/W	0b00000000
0x000C	WDTC	Watchdog timer control register	R/W	0b00XX0000
0x000D	SYCC2	System clock control register 2	R/W	0bXXXX0011
0x000E	PDR2	Port 2 data register	R/W	0b00000000
0x000F	DDR2	Port 2 direction register	R/W	0b00000000
0x0010 to 0x0015	—	(Disabled)	—	—
0x0016	PDR6	Port 6 data register	R/W	0b00000000
0x0017	DDR6	Port 6 direction register	R/W	0b00000000
0x0018 to 0x001B	—	(Disabled)	—	—
0x001C	PDR9	Port 9 data register	R/W	0b00000000
0x001D	DDR9	Port 9 direction register	R/W	0b00000000
0x001E	PDRA	Port A data register	R/W	0b00000000
0x001F	DDRA	Port A direction register	R/W	0b00000000
0x0020	PDRB	Port B data register	R/W	0b00000000
0x0021	DDRB	Port B direction register	R/W	0b00000000
0x0022	PDRC	Port C data register	R/W	0b00000000
0x0023	DDRC	Port C direction register	R/W	0b00000000
0x0024, 0x0025	—	(Disabled)	—	—
0x0026	PDRE	Port E data register	R/W	0b00000000
0x0027	DDRE	Port E direction register	R/W	0b00000000
0x0028	PDRF	Port F data register	R/W	0b00000000

Address	Register abbreviation	Register name	R/W	Initial value
0x0029	DDRF	Port F direction register	R/W	0b00000000
0x002A	PDRG	Port G data register	R/W	0b00000000
0x002B	DDRG	Port G direction register	R/W	0b00000000
0x002C	—	(Disabled)	—	—
0x002D	PUL1	Port 1 pull-up register	R/W	0b00000000
0x002E	PUL2	Port 2 pull-up register	R/W	0b00000000
0x002F to 0x0034	—	(Disabled)	—	—
0x0035	PULG	Port G pull-up register	R/W	0b00000000
0x0036	T01CR1	8/16-bit composite timer 01 status control register 1	R/W	0b00000000
0x0037	T00CR1	8/16-bit composite timer 00 status control register 1	R/W	0b00000000
0x0038	T11CR1	8/16-bit composite timer 11 status control register 1	R/W	0b00000000
0x0039	T10CR1	8/16-bit composite timer 10 status control register 1	R/W	0b00000000
0x003A	PC01	8/16-bit PPG timer 01 control register	R/W	0b00000000
0x003B	PC00	8/16-bit PPG timer 00 control register	R/W	0b00000000
0x003C	PC11	8/16-bit PPG timer 11 control register	R/W	0b00000000
0x003D	PC10	8/16-bit PPG timer 10 control register	R/W	0b00000000
0x003E	TMCSRH0	16-bit reload timer control status register (upper) ch. 0	R/W	0b00000000
0x003F	TMCSRL0	16-bit reload timer control status register (lower) ch. 0	R/W	0b00000000
0x0040 to 0x0047	—	(Disabled)	—	—
0x0048	EIC00	External interrupt circuit control register ch. 0/ch. 1	R/W	0b00000000
0x0049	EIC10	External interrupt circuit control register ch. 2/ch. 3	R/W	0b00000000
0x004A	EIC20	External interrupt circuit control register ch. 4/ch. 5	R/W	0b00000000
0x004B	EIC30	External interrupt circuit control register ch. 6/ch. 7	R/W	0b00000000
0x004C, 0x004D	—	(Disabled)	—	—
0x004E	LVDC	LVD control register	R/W	0b00000100
0x004F	LCDC2	LCDC control register 2	R/W	0b00010100
0x0050	CMR0	Comparator control register ch. 0	R/W	0b00000001
0x0051 to 0x0055	—	(Disabled)	—	—
0x0056	SMC10	UART/SIO serial mode control register 1 ch. 0	R/W	0b00000000
0x0057	SMC20	UART/SIO serial mode control register 2 ch. 0	R/W	0b00100000
0x0058	SSR0	UART/SIO serial status and data register ch. 0	R/W	0b00000001
0x0059	TDR0	UART/SIO serial output data register ch. 0	R/W	0b00000000



Address	Register abbreviation	Register name	R/W	Initial value
0x005A	RDR0	UART/SIO serial input data register ch. 0	R	0b00000000
0x005B	SMC11	UART/SIO serial mode control register 1 ch. 1	R/W	0b00000000
0x005C	SMC21	UART/SIO serial mode control register 2 ch. 1	R/W	0b00100000
0x005D	SSR1	UART/SIO serial status and data register ch. 1	R/W	0b00000001
0x005E	TDR1	UART/SIO serial output data register ch. 1	R/W	0b00000000
0x005F	RDR1	UART/SIO serial input data register ch. 1	R	0b00000000
0x0060	IBCR00	I <sup>2</sup> C bus control register 0 ch. 0	R/W	0b00000000
0x0061	IBCR10	I <sup>2</sup> C bus control register 1 ch. 0	R/W	0b00000000
0x0062	IBSR0	I <sup>2</sup> C bus status register ch. 0	R/W	0b00000000
0x0063	IDDR0	I <sup>2</sup> C data register ch. 0	R/W	0b00000000
0x0064	IAAR0	I <sup>2</sup> C address register ch. 0	R/W	0b00000000
0x0065	ICCR0	I <sup>2</sup> C clock control register ch. 0	R/W	0b00000000
0x0066	SMC12	UART/SIO serial mode control register 1 ch. 2	R/W	0b00000000
0x0067	SMC22	UART/SIO serial mode control register 2 ch. 2	R/W	0b00100000
0x0068	SSR2	UART/SIO serial status and data register ch. 2	R/W	0b00000001
0x0069	TDR2	UART/SIO serial output data register ch. 2	R/W	0b00000000
0x006A	RDR2	UART/SIO serial input data register ch. 2	R	0b00000000
0x006B	ADC3	8/12-bit A/D converter control register 3	R/W	0b01111100
0x006C	ADC1	8/12-bit A/D converter control register 1	R/W	0b00000000
0x006D	ADC2	8/12-bit A/D converter control register 2	R/W	0b00000000
0x006E	ADDH	8/12-bit A/D converter data register (upper)	R/W	0b00000000
0x006F	ADDL	8/12-bit A/D converter data register (lower)	R/W	0b00000000
0x0070	WCSR	Watch counter control register	R/W	0b00000000
0x0071	FSR2	Flash memory status register 2	R/W	0b00000000
0x0072	FSR	Flash memory status register	R/W	0b000X0000
0x0073	SWRE0	Flash memory sector write control register 0	R/W	0b00000000
0x0074	FSR3	Flash memory status register 3	R	0b000XXXXX
0x0075	FSR4	Flash memory status register 4	R/W	0b00000000
0x0076	WREN	Wild register address compare enable register	R/W	0b00000000
0x0077	WROR	Wild register data test setting register	R/W	0b00000000
0x0078	—	Mirror of register bank pointer (RP) and direct bank pointer (DP)	—	—
0x0079	ILR0	Interrupt level setting register 0	R/W	0b11111111
0x007A	ILR1	Interrupt level setting register 1	R/W	0b11111111
0x007B	ILR2	Interrupt level setting register 2	R/W	0b11111111
0x007C	ILR3	Interrupt level setting register 3	R/W	0b11111111
0x007D	ILR4	Interrupt level setting register 4	R/W	0b11111111



Address	Register abbreviation	Register name	R/W	Initial value
0x007E	ILR5	Interrupt level setting register 5	R/W	0b11111111
0x007F	—	(Disabled)	—	—
0x0F80	WRARH0	Wild register address setting register (upper) ch. 0	R/W	0b00000000
0x0F81	WRARL0	Wild register address setting register (lower) ch. 0	R/W	0b00000000
0x0F82	WRDR0	Wild register data setting register ch. 0	R/W	0b00000000
0x0F83	WRARH1	Wild register address setting register (upper) ch. 1	R/W	0b00000000
0x0F84	WRARL1	Wild register address setting register (lower) ch. 1	R/W	0b00000000
0x0F85	WRDR1	Wild register data setting register ch. 1	R/W	0b00000000
0x0F86	WRARH2	Wild register address setting register (upper) ch. 2	R/W	0b00000000
0x0F87	WRARL2	Wild register address setting register (lower) ch. 2	R/W	0b00000000
0x0F88	WRDR2	Wild register data setting register ch. 2	R/W	0b00000000
0x0F89 to 0x0F91	—	(Disabled)	—	—
0x0F92	T01CR0	8/16-bit composite timer 01 status control register 0	R/W	0b00000000
0x0F93	T00CR0	8/16-bit composite timer 00 status control register 0	R/W	0b00000000
0x0F94	T01DR	8/16-bit composite timer 01 data register	R/W	0b00000000
0x0F95	T00DR	8/16-bit composite timer 00 data register	R/W	0b00000000
0x0F96	TMCR0	8/16-bit composite timer 00/01 timer mode control register	R/W	0b00000000
0x0F97	T11CR0	8/16-bit composite timer 11 status control register 0	R/W	0b00000000
0x0F98	T10CR0	8/16-bit composite timer 10 status control register 0	R/W	0b00000000
0x0F99	T11DR	8/16-bit composite timer 11 data register	R/W	0b00000000
0x0F9A	T10DR	8/16-bit composite timer 10 data register	R/W	0b00000000
0x0F9B	TMCR1	8/16-bit composite timer 10/11 timer mode control register	R/W	0b00000000
0x0F9C	PPS01	8/16-bit PPG01 cycle setting buffer register	R/W	0b11111111
0x0F9D	PPS00	8/16-bit PPG00 cycle setting buffer register	R/W	0b11111111
0x0F9E	PDS01	8/16-bit PPG01 duty setting buffer register	R/W	0b11111111
0x0F9F	PDS00	8/16-bit PPG00 duty setting buffer register	R/W	0b11111111
0x0FA0	PPS11	8/16-bit PPG11 cycle setting buffer register	R/W	0b11111111
0x0FA1	PPS10	8/16-bit PPG10 cycle setting buffer register	R/W	0b11111111
0x0FA2	PDS11	8/16-bit PPG11 duty setting buffer register	R/W	0b11111111
0x0FA3	PDS10	8/16-bit PPG10 duty setting buffer register	R/W	0b11111111
0x0FA4	PPGS	8/16-bit PPG start register	R/W	0b00000000
0x0FA5	REVC	8/16-bit PPG output inversion register	R/W	0b00000000
0x0FA6	TMRH0	16-bit reload timer timer register (upper) ch. 0	R/W	0b00000000
	TMRLRH0	16-bit reload timer reload register (upper) ch. 0		

Address	Register abbreviation	Register name	R/W	Initial value
0x0FA7	TMRL0	16-bit reload timer timer register (lower) ch. 0	R/W	0b00000000
	TMRLRL0	16-bit reload timer reload register (lower) ch. 0		
0x0FA8	PSSR0	UART/SIO dedicated baud rate generator prescaler select register ch. 0	R/W	0b00000000
0x0FA9	BRSR0	UART/SIO dedicated baud rate generator baud rate setting register ch. 0	R/W	0b00000000
0x0FAA	PSSR1	UART/SIO dedicated baud rate generator prescaler select register ch. 1	R/W	0b00000000
0x0FAB	BRSR1	UART/SIO dedicated baud rate generator baud rate setting register ch. 1	R/W	0b00000000
0x0FAC	PSSR2	UART/SIO dedicated baud rate generator prescaler select register ch. 2	R/W	0b00000000
0x0FAD	BRSR2	UART/SIO dedicated baud rate generator baud rate setting register ch. 2	R/W	0b00000000
0x0FAE	—	(Disabled)	—	—
0x0FAF	AIDRL	A/D input disable register (lower)	R/W	0b00000000
0x0FB0	LCDC1	LCDC control register 1	R/W	0b00000000
0x0FB1	—	(Disabled)	—	—
0x0FB2	LCDCE1	LCDC enable register 1	R/W	0b00111110
0x0FB3	LCDCE2	LCDC enable register 2	R/W	0b00000000
0x0FB4	LCDCE3	LCDC enable register 3	R/W	0b00000000
0x0FB5	LCDCE4	LCDC enable register 4	R/W	0b00000000
0x0FB6	LCDCE5	LCDC enable register 5	R/W	0b00000000
0x0FB7	LCDCE6	LCDC enable register 6	R/W	0b00000000
0x0FB8	—	(Disabled)	—	—
0x0FB9	LCDCB1	LCDC blinking setting register 1	R/W	0b00000000
0x0FBA	LCDCB2	LCDC blinking setting register 2	R/W	0b00000000
0x0FBB, 0x0FBC	—	(Disabled)	—	—
0x0FBD to 0x0FD8	LCDRAM	LCDC display RAM (28 bytes)	R/W	0b00000000
0x0FD9 to 0x0FE1	—	(Disabled)	—	—
0x0FE2	EVCR	Event counter control register	R/W	0b00000000
0x0FE3	WCDR	Watch counter data register	R/W	0b00111111
0x0FE4	CRTH	Main CR clock trimming register (upper)	R/W	0b000XXXXX
0x0FE5	CRTL	Main CR clock trimming register (lower)	R/W	0b000XXXXX
0x0FE6	SYSC2	System configuration register 2	R/W	0b00000000

Address	Register abbreviation	Register name	R/W	Initial value
0x0FE7	CRTDA	Main CR clock temperature dependent adjustment register	R/W	0b000XXXXX
0x0FE8	SYSC	System configuration register	R/W	0b00111111
0x0FE9	CMCR	Clock monitoring control register	R/W	0b00000000
0x0FEA	CMDR	Clock monitoring data register	R	0b00000000
0x0FEB	WDTH	Watchdog timer selection ID register (upper)	R	0bXXXXXXXXXX
0x0FEC	WDTL	Watchdog timer selection ID register (lower)	R	0bXXXXXXXXXX
0x0FED, 0x0FEE	—	(Disabled)	—	—
0x0FEF	WICR	Interrupt pin selection circuit control register	R/W	0b01000000
0x0FF0 to 0x0FFF	—	(Disabled)	—	—

- R/W access symbols  
 R/W : Readable/Writable  
 R : Read only
- Initial value symbols  
 0 : The initial value of this bit is “0”.  
 1 : The initial value of this bit is “1”.  
 X : The initial value of this bit is undefined.

Note: Do not write to an address that is “(Disabled)”. If a “(Disabled)” address is read, an indeterminate value is returned.

## 18. I/O Ports (MB95710M Series)

- List of port registers

Register name		Read/Write	Initial value
Port 0 data register	PDR0	R, RM/W	0b00000000
Port 0 direction register	DDR0	R/W	0b00000000
Port 1 data register	PDR1	R, RM/W	0b00000000
Port 1 direction register	DDR1	R/W	0b00000000
Port 2 data register	PDR2	R, RM/W	0b00000000
Port 2 direction register	DDR2	R/W	0b00000000
Port 4 data register	PDR4	R, RM/W	0b00000000
Port 4 direction register	DDR4	R/W	0b00000000
Port 5 data register	PDR5	R, RM/W	0b00000000
Port 5 direction register	DDR5	R/W	0b00000000
Port 6 data register	PDR6	R, RM/W	0b00000000
Port 6 direction register	DDR6	R/W	0b00000000
Port 9 data register	PDR9	R, RM/W	0b00000000
Port 9 direction register	DDR9	R/W	0b00000000
Port A data register	PDRA	R, RM/W	0b00000000
Port A direction register	DDRA	R/W	0b00000000
Port B data register	PDRB	R, RM/W	0b00000000
Port B direction register	DDRB	R/W	0b00000000
Port C data register	PDRC	R, RM/W	0b00000000
Port C direction register	DDRC	R/W	0b00000000
Port E data register	PDRE	R, RM/W	0b00000000
Port E direction register	DDRE	R/W	0b00000000
Port F data register	PDRF	R, RM/W	0b00000000
Port F direction register	DDRF	R/W	0b00000000
Port G data register	PDRG	R, RM/W	0b00000000
Port G direction register	DDRG	R/W	0b00000000
Port 1 pull-up register	PUL0	R/W	0b00000000
Port 2 pull-up register	PUL1	R/W	0b00000000
Port 5 pull-up register	PUL5	R/W	0b00000000
Port G pull-up register	PULG	R/W	0b00000000
A/D input disable register (lower)	AIDRL	R/W	0b00000000

R/W : Readable/writable (The read value is the same as the write value.)

R, RM/W : Readable/writable (The read value is different from the write value. The write value is read by the read-modify-write (RMW) type of instruction.)

## 18.1 Port 0

Port 0 is a general-purpose I/O port. This section focuses on its functions as a general-purpose I/O port. For details of peripheral functions, refer to their respective chapters in “New 8FX MB95710M/770M Series Hardware Manual”.

### 18.1.1 Port 0 configuration

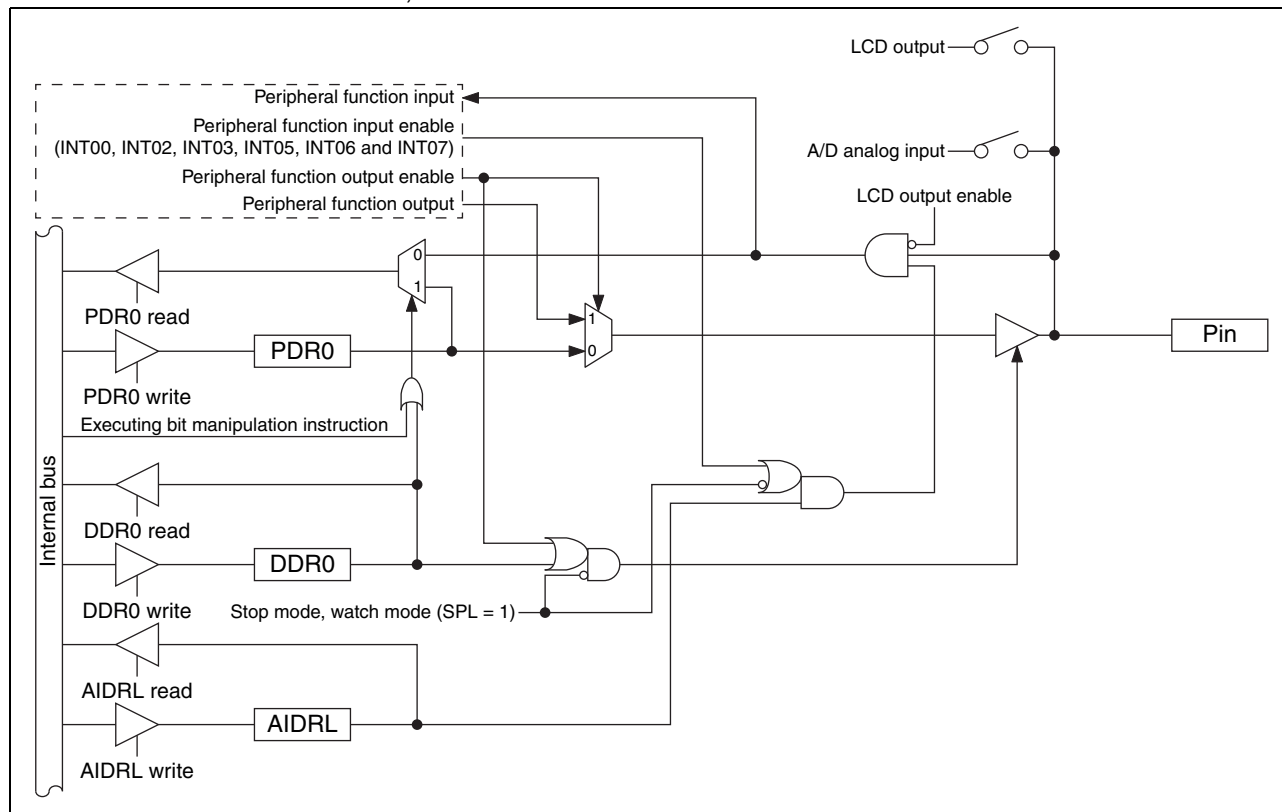
Port 0 is made up of the following elements.

- General-purpose I/O pins/peripheral function I/O pins
- Port 0 data register (PDR0)
- Port 0 direction register (DDR0)
- A/D input disable register (lower) (AIDRL)

### 18.1.2 Block diagrams of port 0

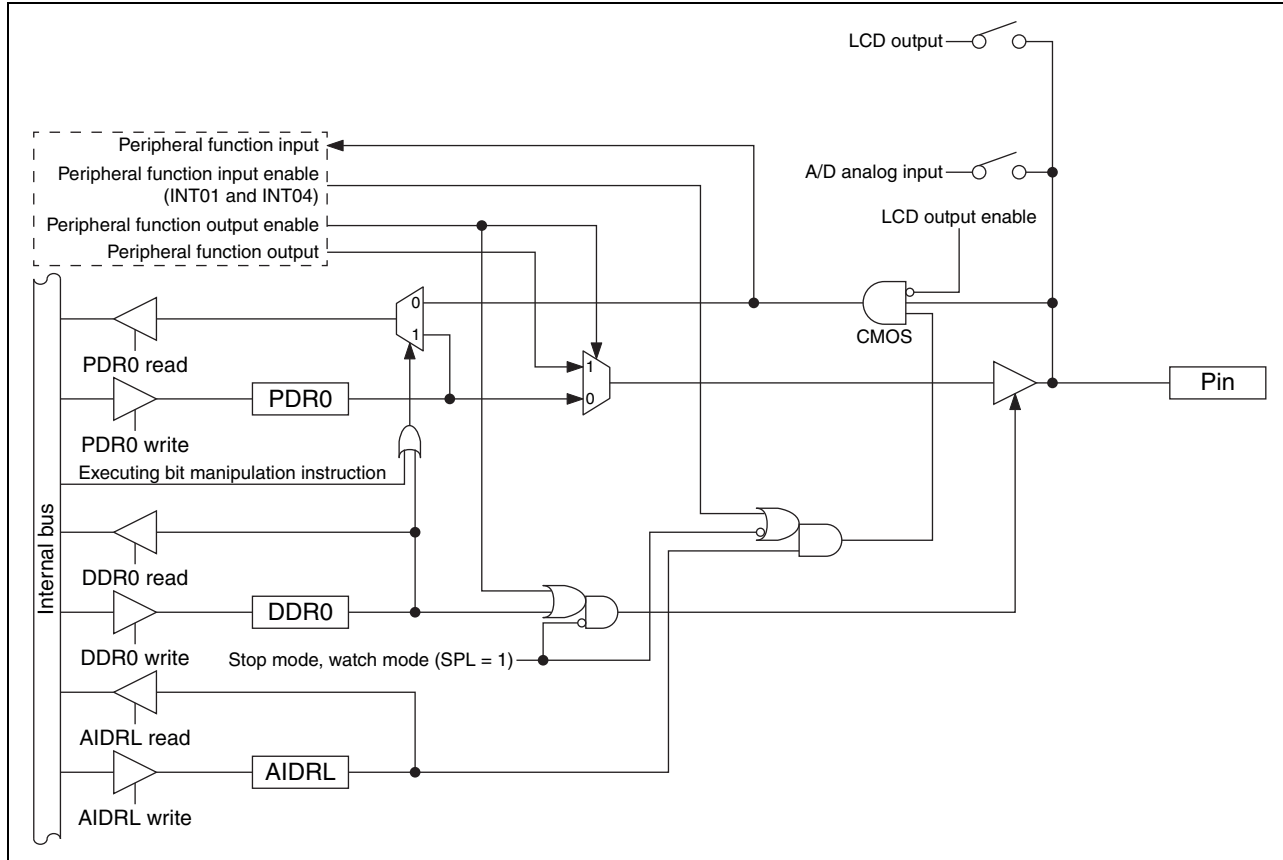
- P00/INT00/AN00/UO2 pin  
This pin has the following peripheral functions:
  - External interrupt input pin (INT00)
  - 8/12-bit A/D converter analog input pin (AN00)
  - UART/SIO ch. 2 data output pin (UO2)
- P02/INT02/AN02/SEG35/UCK2 pin  
This pin has the following peripheral functions:
  - External interrupt input pin (INT02)
  - 8/12-bit A/D converter analog input pin (AN02)
  - LCDC SEG35 output pin (SEG35)
  - UART/SIO ch. 2 clock I/O pin (UCK2)
- P03/INT03/AN03/SEG34/UO1 pin  
This pin has the following peripheral functions:
  - External interrupt input pin (INT03)
  - 8/12-bit A/D converter analog input pin (AN03)
  - LCDC SEG34 output pin (SEG34)
  - UART/SIO ch. 1 data output pin (UO1)
- P05/INT05/AN05/SEG32/UCK1 pin  
This pin has the following peripheral functions:
  - External interrupt input pin (INT05)
  - 8/12-bit A/D converter analog input pin (AN05)
  - LCDC SEG32 output pin (SEG32)
  - UART/SIO ch. 1 clock I/O pin (UCK1)
- P06/INT06/AN06/SEG31 pin  
This pin has the following peripheral functions:
  - External interrupt input pin (INT06)
  - 8/12-bit A/D converter analog input pin (AN06)
  - LCDC SEG31 output pin (SEG31)
- P07/INT07/AN07/SEG30 pin  
This pin has the following peripheral functions:
  - External interrupt input pin (INT07)
  - 8/12-bit A/D converter analog input pin (AN07)
  - LCDC SEG30 output pin (SEG30)

- Block diagram of P00/INT00/AN00/UO2, P02/INT02/AN02/SEG35/UCK2, P03/INT03/AN03/SEG34/UO1, P05/INT05/AN05/SEG32/UCK1, P06/INT06/AN06/SEG31 and P07/INT07/AN07/SEG30



- P01/INT01/AN01/SEG36/UI2 pin  
This pin has the following peripheral functions:
  - External interrupt input pin (INT01)
  - 8/12-bit A/D converter analog input pin (AN01)
  - LCD SEG36 output pin (SEG36)
  - UART/SIO ch. 2 data input pin (UI2)
- P04/INT04/AN04/SEG33/UI1 pin  
This pin has the following peripheral functions:
  - External interrupt input pin (INT04)
  - 8/12-bit A/D converter analog input pin (AN04)
  - LCD SEG33 output pin (SEG33)
  - UART/SIO ch. 1 data input pin (UI1)

- Block diagram of P01/INT01/AN01/SEG36/UI2 and P04/INT04/AN04/SEG33/UI1



### 18.1.3 Port 0 registers

- Port 0 register functions

Register abbreviation	Data	Read	Read by read-modify-write (RMW) instruction	Write
PDR0	0	Pin state is "L" level.	PDR0 value is "0".	As output port, outputs "L" level.
	1	Pin state is "H" level.	PDR0 value is "1".	As output port, outputs "H" level.
DDR0	0	Port input enabled		
	1	Port output enabled		
AIDRL	0	Analog input enabled		
	1	Port input enabled		

- Correspondence between registers and pins for port 0

Pin name	Correspondence between related register bits and pins							
	P07	P06	P05	P04	P03	P02	P01	P00
PDR0								
DDR0	bit7	bit6	bit5	bit4	bit3	bit2	bit1	bit0
AIDRL								

#### 18.1.4 Port 0 operations

- Operation as an output port
  - A pin becomes an output port if the bit in the DDR0 register corresponding to that pin is set to “1”.
  - For a pin shared with other peripheral functions, disable the output of such peripheral functions.
  - When a pin is used as an output port, it outputs the value of the PDR0 register to external pins.
  - If data is written to the PDR0 register, the value is stored in the output latch and is output to the pin set as an output port as it is.
  - Reading the PDR0 register returns the PDR0 register value.
  - To use a pin shared with the LCDC as an output port, set a corresponding function select bit in the LCDC enable register 6 (LCDCE6:SEG[31:30]) or in the LCDC enable register 7 (LCDCE7:SEG[36:32]) to “0” to select the general-purpose I/O port function, and then set the port input control bit in the LCDC enable register 1 (LCDCE1:PICTL) to “1”.
- Operation as an input port
  - A pin becomes an input port if the bit in the DDR0 register corresponding to that pin is set to “0”.
  - For a pin shared with other peripheral functions, disable the output of such peripheral functions.
  - When using an analog input shared pin as an input port, set the corresponding bit in the A/D input disable register (lower) (AIDRL) to “1”.
  - If data is written to the PDR0 register, the value is stored in the output latch but is not output to the pin set as an input port.
  - Reading the PDR0 register returns the pin value. However, if the read-modify-write (RMW) type of instruction is used to read the PDR0 register, the PDR0 register value is returned.
  - To use a pin shared with the LCDC as an input port, set a corresponding function select bit in the LCDC enable register 6 (LCDCE6:SEG[31:30]) or in the LCDC enable register 7 (LCDCE7:SEG[36:32]) to “0” to select the general-purpose I/O port function, and then set the PICTL bit in the LCDCE1 register to “1”.
- Operation as a peripheral function output pin
  - A pin becomes a peripheral function output pin if the peripheral output function is enabled by setting the output enable bit of a peripheral function corresponding to that pin.
  - The pin value can be read from the PDR0 register even if the peripheral function output is enabled. Therefore, the output value of a peripheral function can be read by the read operation on the PDR0 register. However, if the read-modify-write (RMW) type of instruction is used to read the PDR0 register, the PDR0 register value is returned.
- Operation as a peripheral function input pin
  - To set a pin as an input port, set the bit in the DDR0 register corresponding to the input pin of a peripheral function to “0”.
  - When using the analog input shared pin as another peripheral function input pin, configure it as an input port, which is the same as the operation as an input port.
  - Reading the PDR0 register returns the pin value, regardless of whether the peripheral function uses that pin as its input pin. However, if the read-modify-write (RMW) type of instruction is used to read the PDR0 register, the PDR0 register value is returned.
- Operation as an LCDC segment output pin
  - Set the bit in the DDR0 register corresponding to an LCDC segment output pin to “0”.
  - To use a pin shared with a general-purpose I/O port as an LCDC segment output pin, set a corresponding function select bit in the LCDC enable register 6 (LCDCE6:SEG[31:30]) or in the LCDC enable register 7 (LCDCE7:SEG[36:32]) to “1” to select the LCDC segment output function, and then set the PICTL bit in the LCDCE1 register to “1”.
- Operation at reset

If the CPU is reset, all bits in the DDR0 register are initialized to “0” and port input is enabled. As for a pin shared with analog input, its port input is disabled because the AIDRL register is initialized to “0”.



- Operation in stop mode and watch mode
  - If the pin state setting bit in the standby control register (STBC:SPL) is set to “1” and the device transits to stop mode or watch mode, the pin is compulsorily made to enter the high impedance state regardless of the DDR0 register value. The input of that pin is locked to “L” level and blocked in order to prevent leaks due to input open. However, if the interrupt input is enabled for the external interrupt (INT00 to INT07), the input is enabled and not blocked.
  - If the pin state setting bit is “0”, the state of the port I/O or that of the peripheral function I/O remains unchanged and the output level is maintained.
- Operation as an analog input pin
  - Set the bit in the DDR0 register corresponding to the analog input pin to “0” and the bit corresponding to that pin in the AIDRL register to “0”.
  - For a pin shared with other peripheral functions, disable the output of such peripheral functions.
- Operation as an external interrupt input pin
  - Set the bit in the DDR0 register corresponding to the external interrupt input pin to “0”.
  - For a pin shared with other peripheral functions, disable the output of such peripheral functions.
  - The pin value is always input to the external interrupt circuit. When using a pin for a function other than the interrupt, disable the external interrupt function corresponding to that pin.

## 18.2 Port 1

Port 1 is a general-purpose I/O port. This section focuses on its functions as a general-purpose I/O port. For details of peripheral functions, refer to their respective chapters in “New 8FX MB95710M/770M Series Hardware Manual”.

### 18.2.1 Port 1 configuration

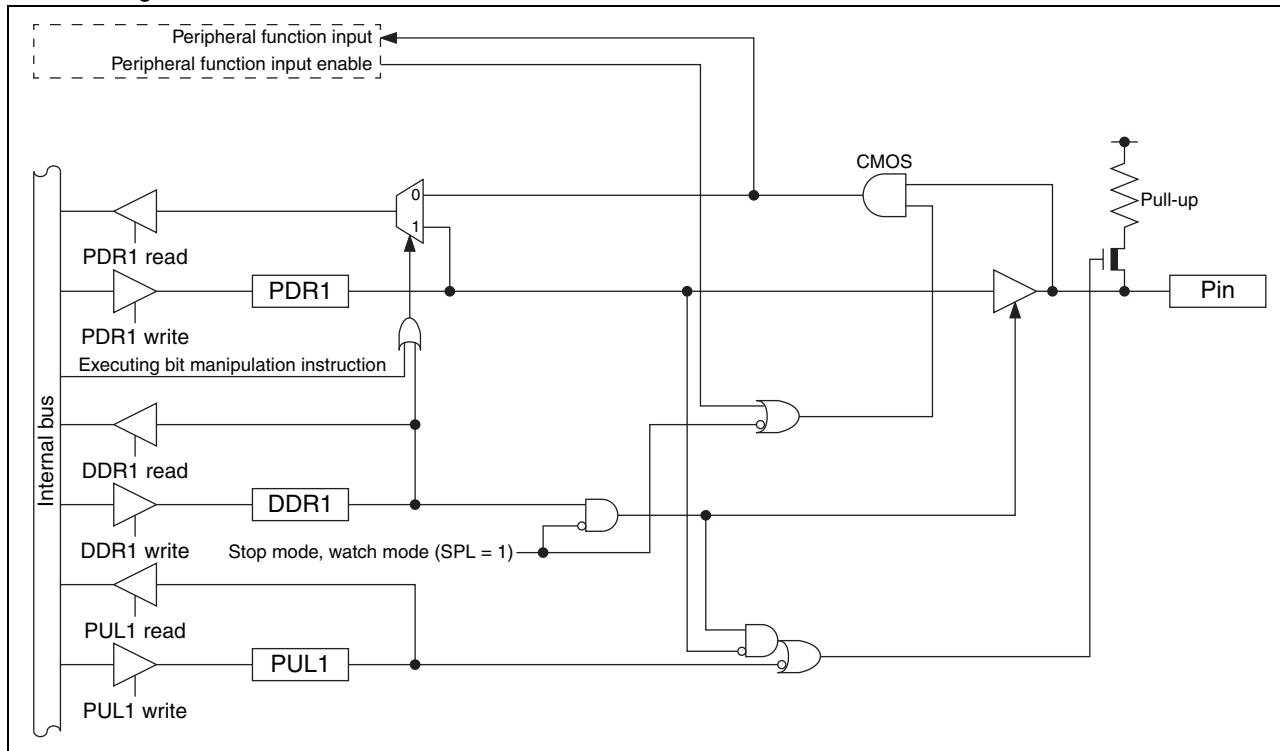
Port 1 is made up of the following elements.

- General-purpose I/O pins/peripheral function I/O pins
- Port 1 data register (PDR1)
- Port 1 direction register (DDR1)
- Port 1 pull-up register (PUL1)

### 18.2.2 Block diagrams of port 1

- P10/UI0 pin
  - This pin has the following peripheral function:
    - UART/SIO ch. 0 data input pin (UI0)

• Block diagram of P10/UI0

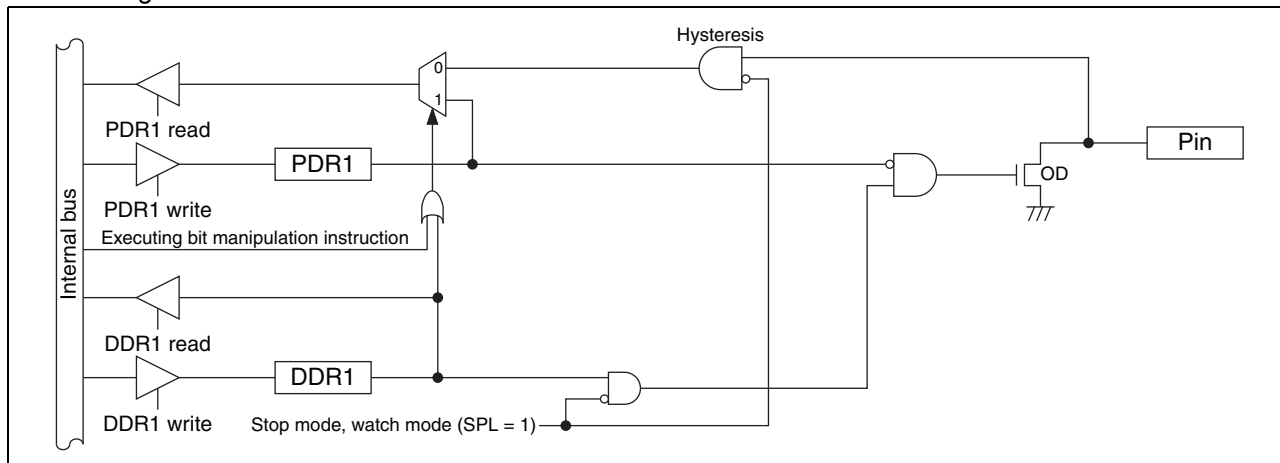


• P12/DBG pin

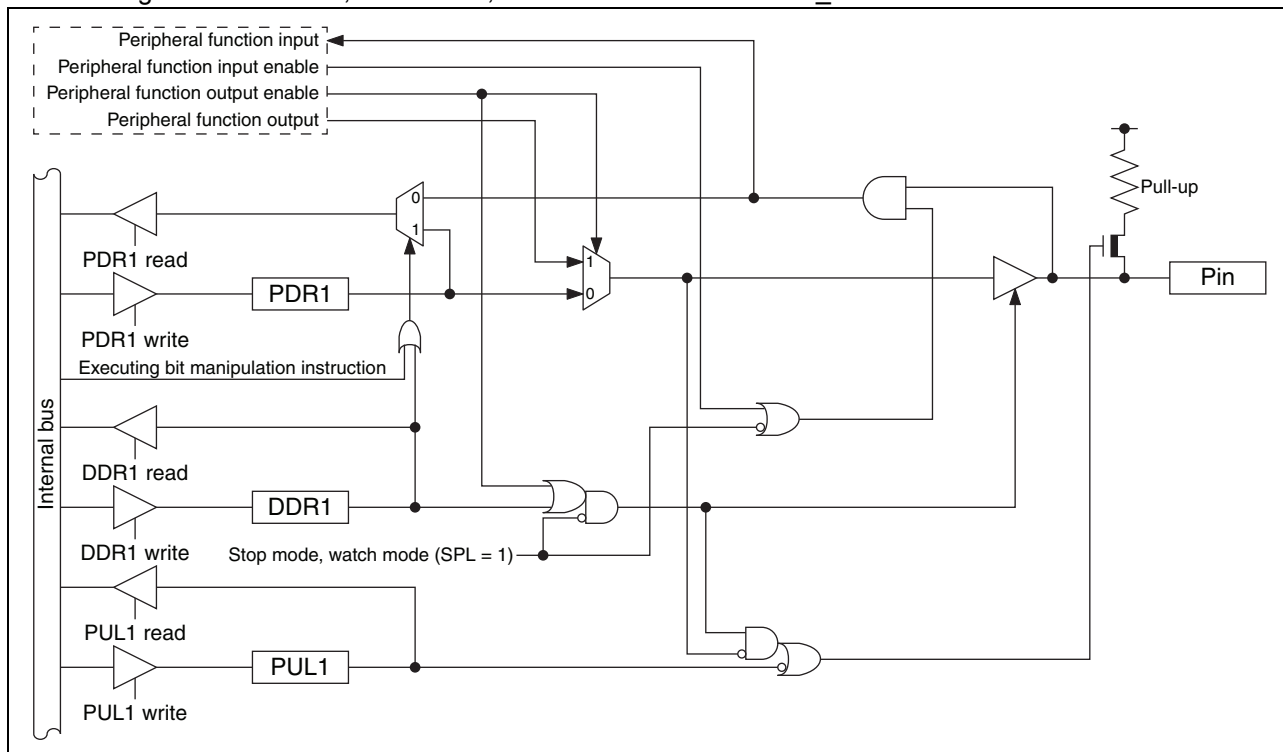
This pin has the following peripheral function:

- DBG input pin (DBG)

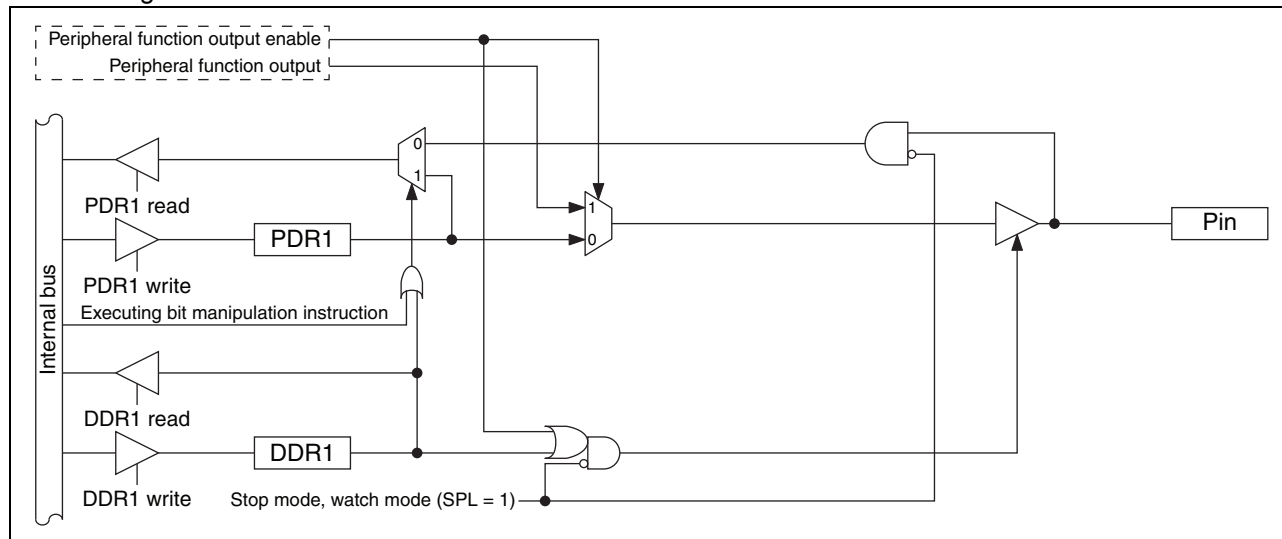
• Block diagram of P12/DBG



- P11/UO0 pin  
 This pin has the following peripheral function:
  - UART/SIO ch. 0 data output pin (UO0)
- P13/ADTG pin  
 This pin has the following peripheral function:
  - 8/12-bit A/D converter trigger input pin (ADTG)
- P14/UCK0 pin  
 This pin has the following peripheral function:
  - UART/SIO ch. 0 clock I/O pin (UCK0)
- P17/CMP0\_O pin  
 This pin has the following peripheral function:
  - Comparator ch. 0 digital output pin (CMP0\_O)
- Block diagram of P11/UO0, P13/ADTG, P14/UCK0 and P17/CMP0\_O



- P15/PPG11 pin  
This pin has the following peripheral function:
  - 8/16-bit PPG ch. 1 output pin (PPG11)
- P16/PPG10 pin  
This pin has the following peripheral function:
  - 8/16-bit PPG ch. 1 output pin (PPG10)
- Block diagram of P15/PPG11 and P16/PPG10



### 18.2.3 Port 1 registers

- Port 1 register functions

Register abbreviation	Data	Read	Read by read-modify-write (RMW) instruction	Write
PDR1	0	Pin state is "L" level.	PDR1 value is "0".	As output port, outputs "L" level.
	1	Pin state is "H" level.	PDR1 value is "1".	As output port, outputs "H" level.*
DDR1	0	Port input enabled		
	1	Port output enabled		
PUL1	0	Pull-up disabled		
	1	Pull-up enabled		

\*: If the pin is an N-ch open drain pin, the pin state becomes Hi-Z.

- Correspondence between registers and pins for port 1

Correspondence between related register bits and pins								
Pin name	P17	P16	P15	P14	P13	P12	P11	P10
PDR1	bit7	bit6	bit5	bit4	bit3	bit2	bit1	bit0
DDR1								
PUL1								

#### 18.2.4 Port 1 operations

- Operation as an output port
  - A pin becomes an output port if the bit in the DDR1 register corresponding to that pin is set to “1”.
  - For a pin shared with other peripheral functions, disable the output of such peripheral functions.
  - When a pin is used as an output port, it outputs the value of the PDR1 register to external pins.
  - If data is written to the PDR1 register, the value is stored in the output latch and is output to the pin set as an output port as it is.
  - Reading the PDR1 register returns the PDR1 register value.
  
- Operation as an input port
  - A pin becomes an input port if the bit in the DDR1 register corresponding to that pin is set to “0”.
  - For a pin shared with other peripheral functions, disable the output of such peripheral functions.
  - If data is written to the PDR1 register, the value is stored in the output latch but is not output to the pin set as an input port.
  - Reading the PDR1 register returns the pin value. However, if the read-modify-write (RMW) type of instruction is used to read the PDR1 register, the PDR1 register value is returned.
  
- Operation as a peripheral function output pin
  - A pin becomes a peripheral function output pin if the peripheral output function is enabled by setting the output enable bit of a peripheral function corresponding to that pin.
  - The pin value can be read from the PDR1 register even if the peripheral function output is enabled. Therefore, the output value of a peripheral function can be read by the read operation on the PDR1 register. However, if the read-modify-write (RMW) type of instruction is used to read the PDR1 register, the PDR1 register value is returned.
  
- Operation as a peripheral function input pin
  - To set a pin as an input port, set the bit in the DDR1 register corresponding to the input pin of a peripheral function to “0”.
  - Reading the PDR1 register returns the pin value, regardless of whether the peripheral function uses that pin as its input pin. However, if the read-modify-write (RMW) type of instruction is used to read the PDR1 register, the PDR1 register value is returned.
  
- Operation at reset

If the CPU is reset, all bits in the DDR1 register are initialized to “0” and port input is enabled.
  
- Operation in stop mode and watch mode
  - If the pin state setting bit in the standby control register (STBC:SPL) is set to “1” and the device transits to stop mode or watch mode, the pin is compulsorily made to enter the high impedance state regardless of the DDR1 register value. The input of that pin is locked to “L” level and blocked in order to prevent leaks due to input open. However, if the interrupt input of P10/UI0 and P14/UCK0 is enabled by the external interrupt control register ch. 0 (EIC00) of the external interrupt circuit and the interrupt pin selection circuit control register (WICR) of the interrupt pin selection circuit, the input is enabled and is not blocked.
  - If the pin state setting bit is “0”, the state of the port I/O or that of the peripheral function I/O remains unchanged and the output level is maintained.
  
- Operation of the pull-up register

Setting the bit in the PUL1 register to “1” makes the pull-up resistor be internally connected to the pin. When the pin output is “L” level, the pull-up resistor is disconnected regardless of the value of the PUL1 register.

### 18.3 Port 2

Port 2 is a general-purpose I/O port. This section focuses on its functions as a general-purpose I/O port. For details of peripheral functions, refer to their respective chapters in “New 8FX MB95710M/770M Series Hardware Manual”.

#### 18.3.1 Port 2 configuration

Port 2 is made up of the following elements.

- General-purpose I/O pins/peripheral function I/O pins
- Port 2 data register (PDR2)
- Port 2 direction register (DDR2)
- Port 2 pull-up register (PUL2)

#### 18.3.2 Block diagrams of port 2

##### • P20/PPG00/CMP0\_N pin

This pin has the following peripheral functions:

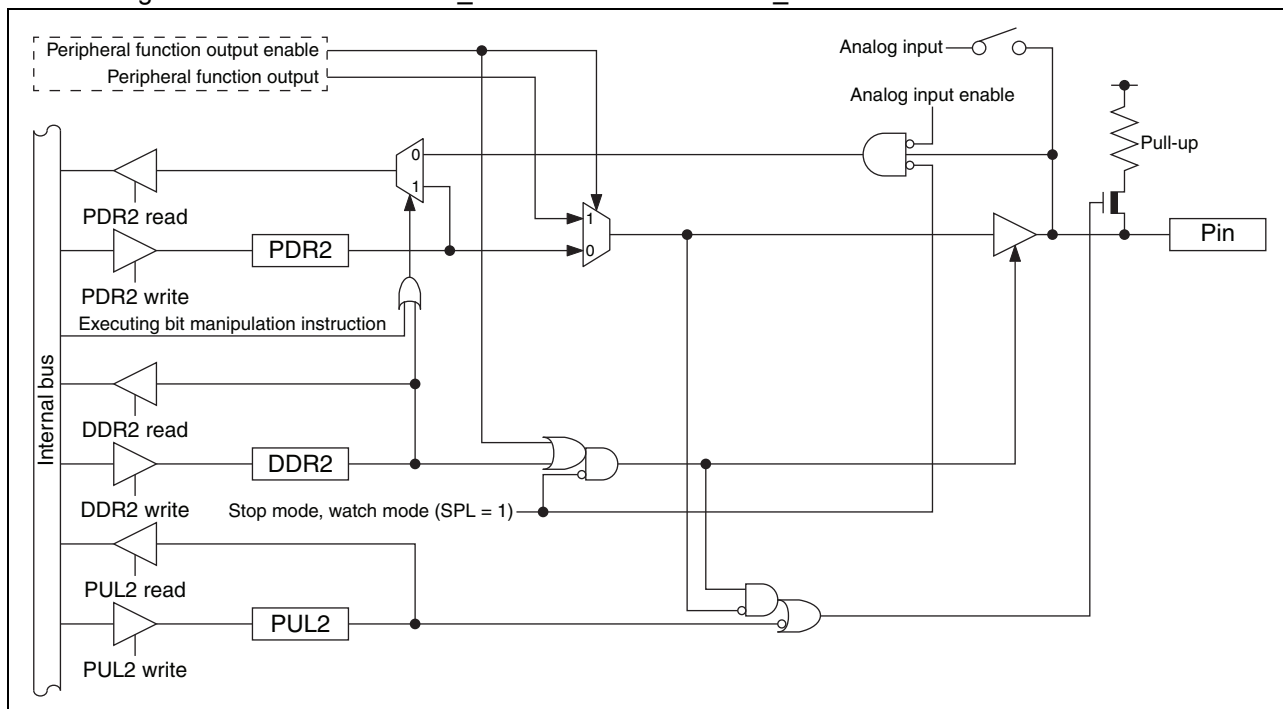
- 8/16-bit PPG ch. 0 output pin (PPG00)
- Comparator ch. 0 inverting analog input (negative input) pin (CMP0\_N)

##### • P21/PPG01/CMP0\_P pin

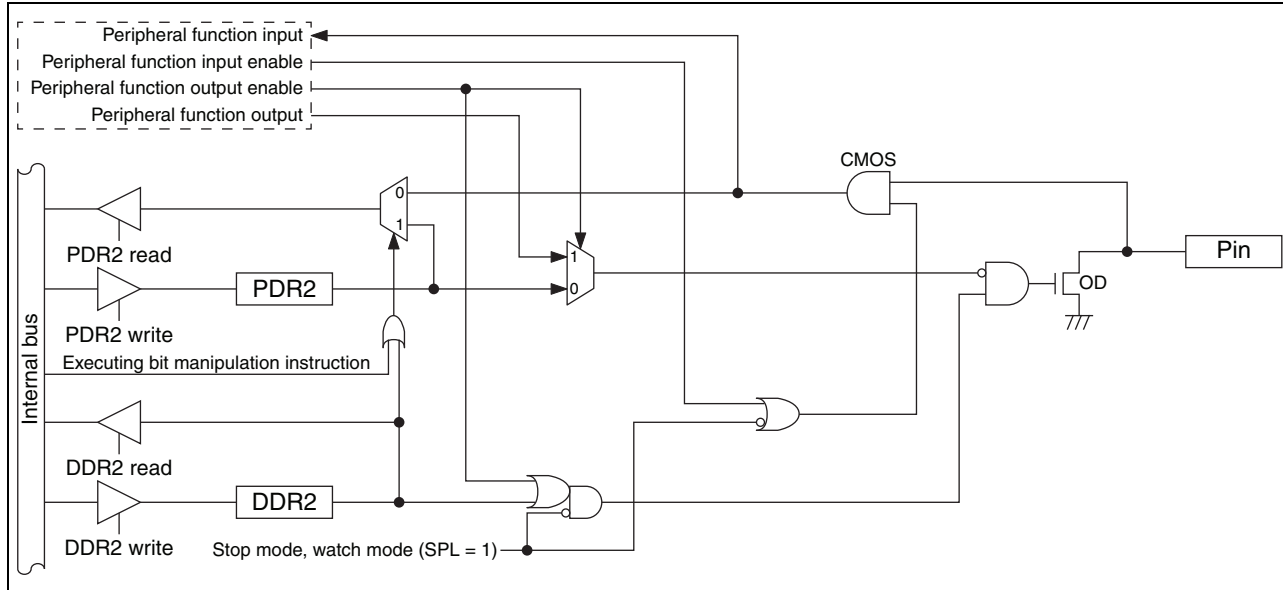
This pin has the following peripheral functions:

- 8/16-bit PPG ch. 0 output pin (PPG01)
- Comparator ch. 0 non-inverting analog input (positive input) pin (CMP0\_P)

##### • Block diagram of P20/PPG00/CMP0\_N and P21/PPG01/CMP0\_P



- P22/SCL pin  
This pin has the following peripheral function:
  - I<sup>2</sup>C bus interface ch. 0 clock I/O pin (SCL)
- P23/SDA pin  
This pin has the following peripheral function:
  - I<sup>2</sup>C bus interface ch. 0 data I/O pin (SDA)
- Block diagram of P22/SCL and P23/SDA



### 18.3.3 Port 2 registers

- Port 2 register functions

Register abbreviation	Data	Read	Read by read-modify-write (RMW) instruction	Write
PDR2	0	Pin state is "L" level.	PDR2 value is "0".	As output port, outputs "L" level.
	1	Pin state is "H" level.	PDR2 value is "1".	As output port, outputs "H" level.*
DDR2	0	Port input enabled		
	1	Port output enabled		
PUL2	0	Pull-up disabled		
	1	Pull-up enabled		

\*: If the pin is an N-ch open drain pin, the pin state becomes Hi-Z.

- Correspondence between registers and pins for port 2

Correspondence between related register bits and pins								
Pin name	-	-	-	-	P23	P22	P21	P20
PDR2	-	-	-	-	bit3	bit2	bit1	bit0
DDR2	-	-	-	-	-	-		
PUL2	-	-	-	-	-	-	-	-

#### 18.3.4 Port 2 operations

- Operation as an output port
  - A pin becomes an output port if the bit in the DDR2 register corresponding to that pin is set to “1”.
  - For a pin shared with other peripheral functions, disable the output of such peripheral functions.
  - When a pin is used as an output port, it outputs the value of the PDR2 register to external pins.
  - If data is written to the PDR2 register, the value is stored in the output latch and is output to the pin set as an output port as it is.
  - Reading the PDR2 register returns the PDR2 register value.
  
- Operation as an input port
  - A pin becomes an input port if the bit in the DDR2 register corresponding to that pin is set to “0”.
  - For a pin shared with other peripheral functions, disable the output of such peripheral functions.
  - If data is written to the PDR2 register, the value is stored in the output latch but is not output to the pin set as an input port.
  - Reading the PDR2 register returns the pin value. However, if the read-modify-write (RMW) type of instruction is used to read the PDR2 register, the PDR2 register value is returned.
  
- Operation as a peripheral function output pin
  - A pin becomes a peripheral function output pin if the peripheral output function is enabled by setting the output enable bit of a peripheral function corresponding to that pin.
  - The pin value can be read from the PDR2 register even if the peripheral function output is enabled. Therefore, the output value of a peripheral function can be read by the read operation on the PDR2 register. However, if the read-modify-write (RMW) type of instruction is used to read the PDR2 register, the PDR2 register value is returned.
  
- Operation as a peripheral function input pin
  - To set a pin as an input port, set the bit in the DDR2 register corresponding to the input pin of a peripheral function to “0”.
  - Reading the PDR2 register returns the pin value, regardless of whether the peripheral function uses that pin as its input pin. However, if the read-modify-write (RMW) type of instruction is used to read the PDR2 register, the PDR2 register value is returned.
  
- Operation at reset

If the CPU is reset, all bits in the DDR2 register are initialized to “0” and port input is enabled.
  
- Operation in stop mode and watch mode
  - If the pin state setting bit in the standby control register (STBC:SPL) is set to “1” and the device transits to stop mode or watch mode, the pin is compulsorily made to enter the high impedance state regardless of the DDR2 register value. The input of that pin is locked to “L” level and blocked in order to prevent leaks due to input open.
  - If the pin state setting bit is “0”, the state of the port I/O or that of the peripheral function I/O remains unchanged and the output level is maintained.
  
- Operation of the pull-up register

Setting the bit in the PUL2 register to “1” makes the pull-up resistor be internally connected to the pin. When the pin output is “L” level, the pull-up resistor is disconnected regardless of the value of the PUL2 register.
  
- Operation as a comparator input pin
  - Regardless of the value of the PDR2 register and that of the DDR2 register, if the comparator analog input enable bit in the comparator control register ch. 0 (CMR0:VCID) is set to “0”, the comparator input function is enabled.
  - To disable the comparator input function, set the VCID bit to “1”.
  - For details of the comparator, refer to “CHAPTER 29 COMPARATOR” in “New 8FX MB95710M/770M Series Hardware Manual”.





#### 18.4.3 Port 4 registers

- Port 4 register functions

Register abbreviation	Data	Read	Read by read-modify-write (RMW) instruction	Write
PDR4	0	Pin state is “L” level.	PDR4 value is “0”.	As output port, outputs “L” level.
	1	Pin state is “H” level.	PDR4 value is “1”.	As output port, outputs “H” level.
DDR4	0	Port input enabled		
	1	Port output enabled		

- Correspondence between registers and pins for port 4

	Correspondence between related register bits and pins							
Pin name	-	-	-	-	P43	P42	P41	P40
PDR4	-	-	-	-	bit3	bit2	bit1	bit0
DDR4	-	-	-	-				

#### 18.4.4 Port 4 operations

- Operation as an output port
  - A pin becomes an output port if the bit in the DDR4 register corresponding to that pin is set to “1”.
  - For a pin shared with other peripheral functions, disable the output of such peripheral functions.
  - When a pin is used as an output port, it outputs the value of the PDR4 register to external pins.
  - If data is written to the PDR4 register, the value is stored in the output latch and is output to the pin set as an output port as it is.
  - Reading the PDR4 register returns the PDR4 register value.
  - To use a pin shared with the LCDC as an output port, set a corresponding function select bit in the LCDC enable register 5 (LCDCE5:SEG[21:18]) to “0” to select the general-purpose I/O port function, and then set the port input control bit in the LCDC enable register 1 (LCDCE1:PICTL) to “1”.
- Operation as an input port
  - A pin becomes an input port if the bit in the DDR4 register corresponding to that pin is set to “0”.
  - For a pin shared with other peripheral functions, disable the output of such peripheral functions.
  - If data is written to the PDR4 register, the value is stored in the output latch but is not output to the pin set as an input port.
  - Reading the PDR4 register returns the pin value. However, if the read-modify-write (RMW) type of instruction is used to read the PDR4 register, the PDR4 register value is returned.
  - To use a pin shared with the LCDC as an input port, set a corresponding function select bit in the LCDC enable register 5 (LCDCE5:SEG[21:18]) to “0” to select the general-purpose I/O port function, and then set the PICTL bit in the LCDCE1 register to “1”.
- Operation as an LCDC segment output pin
  - Set the bit in the DDR4 register corresponding to an LCDC segment output pin to “0”.
  - To use a pin shared with a general-purpose I/O port as an LCDC segment output pin, set a corresponding function select bit in the LCDC enable register 5 (LCDCE5:SEG[21:18]) to “1” to select the LCDC segment output function, and then set the PICTL bit in the LCDCE1 register to “1”.
- Operation at reset
  - If the CPU is reset, all bits in the DDR4 register are initialized to “0” and port input is enabled.

- Operation in stop mode and watch mode
  - If the pin state setting bit in the standby control register (STBC:SPL) is set to “1” and the device transits to stop mode or watch mode, the pin is compulsorily made to enter the high impedance state regardless of the DDR4 register value. The input of that pin is locked to “L” level and blocked in order to prevent leaks due to input open.
  - If the pin state setting bit is “0”, the state of the port I/O or that of the peripheral function I/O remains unchanged and the output level is maintained.

## 18.5 Port 5

Port 5 is a general-purpose I/O port. This section focuses on its functions as a general-purpose I/O port. For details of peripheral functions, refer to their respective chapters in “New 8FX MB95710M/770M Series Hardware Manual”.

### 18.5.1 Port 5 configuration

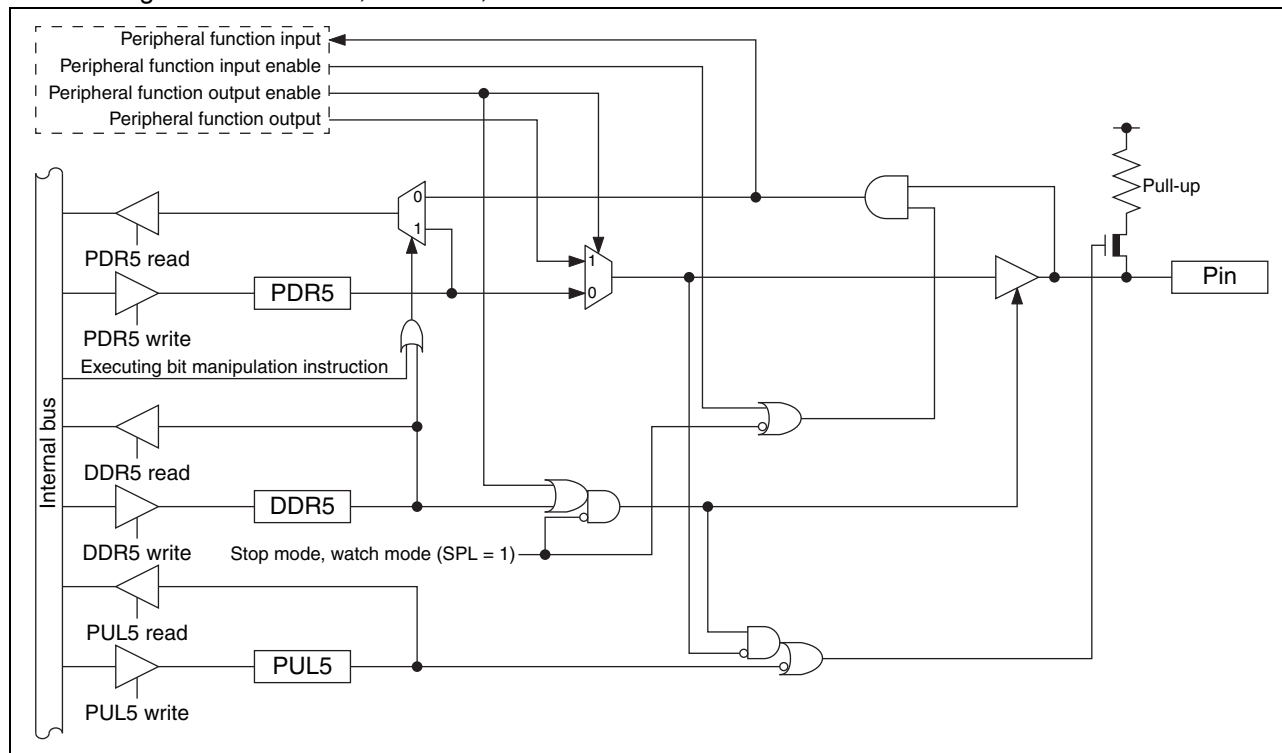
Port 5 is made up of the following elements.

- General-purpose I/O pins/peripheral function I/O pins
- Port 5 data register (PDR5)
- Port 5 direction register (DDR5)
- Port 5 pull-up register (PUL5)

### 18.5.2 Block diagrams of port 5

- P50/TO01 pin
  - This pin has the following peripheral function:
    - 8/16-bit composite timer ch. 0 output pin (TO01)
- P51/EC0 pin
  - This pin has the following peripheral function:
    - 8/16-bit composite timer ch. 0 clock input pin (EC0)
- P52/TI0/TO00 pin
  - This pin has the following peripheral functions:
    - 16-bit reload timer ch. 0 input pin (TI0)
    - 8/16-bit composite timer ch. 0 output pin (TO00)
- P53/TO0 pin
  - This pin has the following peripheral function:
    - 16-bit reload timer ch. 0 output pin (TO0)

- Block diagram of P50/TO01, P51/EC0, P52/TI0/TO00 and P53/TO0



18.5.3 Port 5 registers

- Port 5 register functions

Register abbreviation	Data	Read	Read by read-modify-write (RMW) instruction	Write
PDR5	0	Pin state is "L" level.	PDR5 value is "0".	As output port, outputs "L" level.
	1	Pin state is "H" level.	PDR5 value is "1".	As output port, outputs "H" level.
DDR5	0	Port input enabled		
	1	Port output enabled		
PUL5	0	Pull-up disabled		
	1	Pull-up enabled		

- Correspondence between registers and pins for port 5

Pin name	Correspondence between related register bits and pins							
	-	-	-	-	P53	P52	P51	P50
PDR5								
DDR5	-	-	-	-	bit3	bit2	bit1	bit0
PUL5								

#### 18.5.4 Port 5 operations

- Operation as an output port
  - A pin becomes an output port if the bit in the DDR5 register corresponding to that pin is set to “1”.
  - For a pin shared with other peripheral functions, disable the output of such peripheral functions.
  - When a pin is used as an output port, it outputs the value of the PDR5 register to external pins.
  - If data is written to the PDR5 register, the value is stored in the output latch and is output to the pin set as an output port as it is.
  - Reading the PDR5 register returns the PDR5 register value.
  
- Operation as an input port
  - A pin becomes an input port if the bit in the DDR5 register corresponding to that pin is set to “0”.
  - For a pin shared with other peripheral functions, disable the output of such peripheral functions.
  - If data is written to the PDR5 register, the value is stored in the output latch but is not output to the pin set as an input port.
  - Reading the PDR5 register returns the pin value. However, if the read-modify-write (RMW) type of instruction is used to read the PDR5 register, the PDR5 register value is returned.
  
- Operation as a peripheral function output pin
  - A pin becomes a peripheral function output pin if the peripheral output function is enabled by setting the output enable bit of a peripheral function corresponding to that pin.
  - The pin value can be read from the PDR5 register even if the peripheral function output is enabled. Therefore, the output value of a peripheral function can be read by the read operation on the PDR5 register. However, if the read-modify-write (RMW) type of instruction is used to read the PDR5 register, the PDR5 register value is returned.
  
- Operation as a peripheral function input pin
  - To set a pin as an input port, set the bit in the DDR5 register corresponding to the input pin of a peripheral function to “0”.
  - Reading the PDR5 register returns the pin value, regardless of whether the peripheral function uses that pin as its input pin. However, if the read-modify-write (RMW) type of instruction is used to read the PDR5 register, the PDR5 register value is returned.
  
- Operation at reset

If the CPU is reset, all bits in the DDR5 register are initialized to “0” and port input is enabled.
  
- Operation in stop mode and watch mode
  - If the pin state setting bit in the standby control register (STBC:SPL) is set to “1” and the device transits to stop mode or watch mode, the pin is compulsorily made to enter the high impedance state regardless of the DDR5 register value. The input of that pin is locked to “L” level and blocked in order to prevent leaks due to input open.
  - If the pin state setting bit is “0”, the state of the port I/O or that of the peripheral function I/O remains unchanged and the output level is maintained.
  
- Operation of the pull-up register

Setting the bit in the PUL5 register to “1” makes the pull-up resistor be internally connected to the pin. When the pin output is “L” level, the pull-up resistor is disconnected regardless of the value of the PUL5 register.

## 18.6 Port 6

Port 6 is a general-purpose I/O port. This section focuses on its functions as a general-purpose I/O port. For details of peripheral functions, refer to their respective chapters in “New 8FX MB95710M/770M Series Hardware Manual”.

### 18.6.1 Port 6 configuration

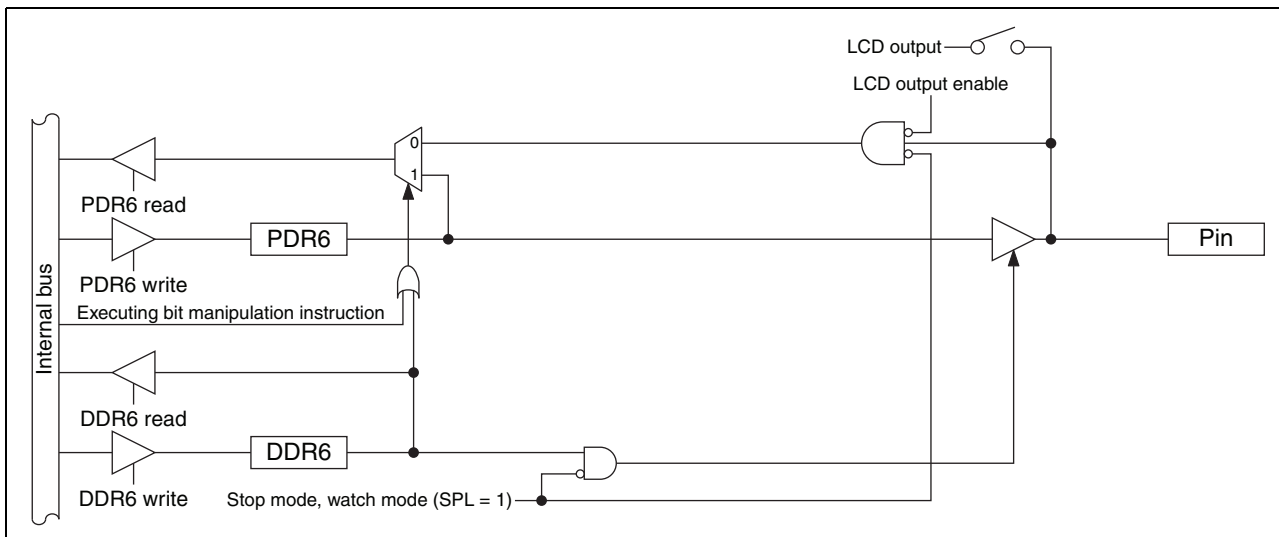
Port 6 is made up of the following elements.

- General-purpose I/O pins/peripheral function I/O pins
- Port 6 data register (PDR6)
- Port 6 direction register (DDR6)

### 18.6.2 Block diagrams of port 6

- P60/SEG10 pin  
This pin has the following peripheral function:
  - LCDC SEG10 output pin (SEG10)
- P61/SEG11 pin  
This pin has the following peripheral function:
  - LCDC SEG11 output pin (SEG11)
- P62/SEG12 pin  
This pin has the following peripheral function:
  - LCDC SEG12 output pin (SEG12)
- P63/SEG13 pin  
This pin has the following peripheral function:
  - LCDC SEG13 output pin (SEG13)
- P64/SEG14 pin  
This pin has the following peripheral function:
  - LCDC SEG14 output pin (SEG14)
- P65/SEG15 pin  
This pin has the following peripheral function:
  - LCDC SEG15 output pin (SEG15)
- P66/SEG16 pin  
This pin has the following peripheral function:
  - LCDC SEG16 output pin (SEG16)
- P67/SEG17 pin  
This pin has the following peripheral function:
  - LCDC SEG17 output pin (SEG17)

- Block diagram of P60/SEG10, P61/SEG11, P62/SEG12, P63/SEG13, P64/SEG14, P65/SEG15, P66/SEG16 and P67/SEG17



18.6.3 Port 6 registers

- Port 6 register functions

Register abbreviation	Data	Read	Read by read-modify-write (RMW) instruction	Write
PDR6	0	Pin state is "L" level.	PDR6 value is "0".	As output port, outputs "L" level.
	1	Pin state is "H" level.	PDR6 value is "1".	As output port, outputs "H" level.
DDR6	0	Port input enabled		
	1	Port output enabled		

- Correspondence between registers and pins for port 6

Correspondence between related register bits and pins								
Pin name	P67	P66	P65	P64	P63	P62	P61	P60
PDR6	bit7	bit6	bit5	bit4	bit3	bit2	bit1	bit0
DDR6								

#### 18.6.4 Port 6 operations

- Operation as an output port
  - A pin becomes an output port if the bit in the DDR6 register corresponding to that pin is set to “1”.
  - For a pin shared with other peripheral functions, disable the output of such peripheral functions.
  - When a pin is used as an output port, it outputs the value of the PDR6 register to external pins.
  - If data is written to the PDR6 register, the value is stored in the output latch and is output to the pin set as an output port as it is.
  - Reading the PDR6 register returns the PDR6 register value.
  - To use a pin shared with the LCDDC as an output port, set a corresponding function select bit in the LCDDC enable register 4 (LCDCE4:SEG[15:10]) or in the LCDDC enable register 5 (LCDCE5:SEG[17:16]) to “0” to select the general-purpose I/O port function, and then set the port input control bit in the LCDDC enable register 1 (LCDCE1:PICTL) to “1”.
  
- Operation as an input port
  - A pin becomes an input port if the bit in the DDR6 register corresponding to that pin is set to “0”.
  - For a pin shared with other peripheral functions, disable the output of such peripheral functions.
  - If data is written to the PDR6 register, the value is stored in the output latch but is not output to the pin set as an input port.
  - Reading the PDR6 register returns the pin value. However, if the read-modify-write (RMW) type of instruction is used to read the PDR6 register, the PDR6 register value is returned.
  - To use a pin shared with the LCDDC as an input port, set a corresponding function select bit in the LCDDC enable register 4 (LCDCE4:SEG[15:10]) or in the LCDDC enable register 5 (LCDCE5:SEG[17:16]) to “0” to select the general-purpose I/O port function, and then set the PICTL bit in the LCDCE1 register to “1”.
  
- Operation as an LCDDC segment output pin
  - Set the bit in the DDR6 register corresponding to an LCDDC segment output pin to “0”.
  - To use a pin shared with a general-purpose I/O port as an LCDDC segment output pin, set a corresponding function select bit in the LCDDC enable register 4 (LCDCE4:SEG[15:10]) or in the LCDDC enable register 5 (LCDCE5:SEG[17:16]) to “1” to select the LCDDC segment output function, and then set the PICTL bit in the LCDCE1 register to “1”.
  
- Operation at reset

If the CPU is reset, all bits in the DDR6 register are initialized to “0” and port input is enabled.
  
- Operation in stop mode and watch mode
  - If the pin state setting bit in the standby control register (STBC:SPL) is set to “1” and the device transits to stop mode or watch mode, the pin is compulsorily made to enter the high impedance state regardless of the DDR6 register value. The input of that pin is locked to “L” level and blocked in order to prevent leaks due to input open.
  - If the pin state setting bit is “0”, the state of the port I/O or that of the peripheral function I/O remains unchanged and the output level is maintained.



### 18.7 Port 9

Port 9 is a general-purpose I/O port. This section focuses on its functions as a general-purpose I/O port. For details of peripheral functions, refer to their respective chapters in “New 8FX MB95710M/770M Series Hardware Manual”.

#### 18.7.1 Port 9 configuration

Port 9 is made up of the following elements.

- General-purpose I/O pins/peripheral function I/O pins
- Port 9 data register (PDR9)
- Port 9 direction register (DDR9)

#### 18.7.2 Block diagrams of port 9

- P90/V4 pin

This pin has the following peripheral function:

- LCD drive power supply pin (V4)

- P91/V3 pin

This pin has the following peripheral function:

- LCD drive power supply pin (V3)

- P92/V2 pin

This pin has the following peripheral function:

- LCD drive power supply pin (V2)

- P93/V1 pin

This pin has the following peripheral function:

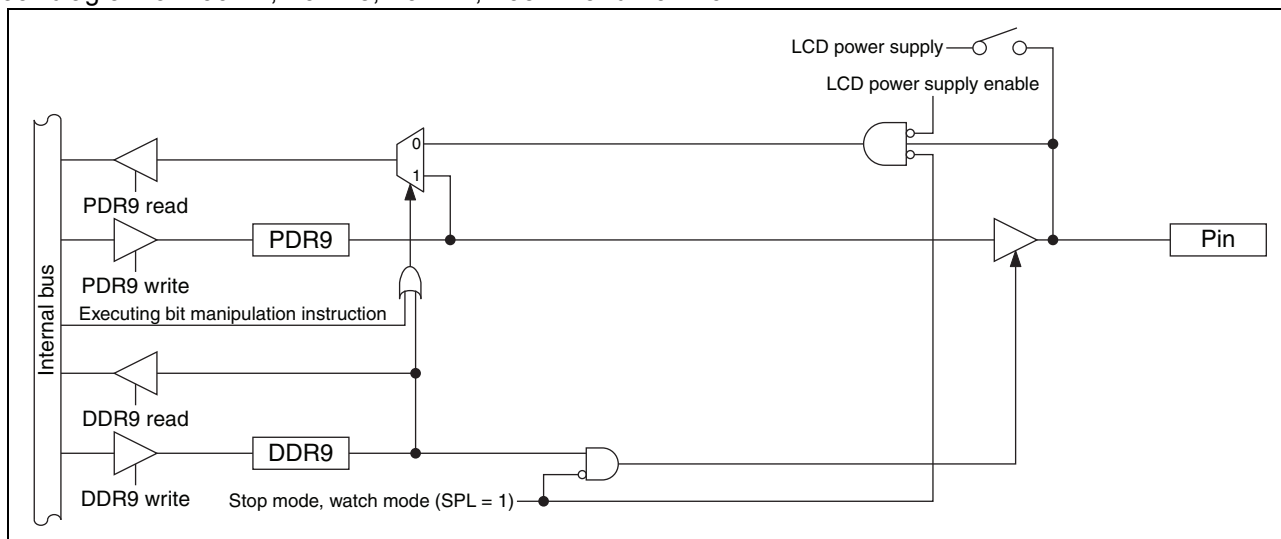
- LCD drive power supply pin (V1)

- P94/V0 pin

This pin has the following peripheral function:

- LCD drive power supply pin (V0)

- Block diagram of P90/V4, P91/V3, P92/V2, P93/V1 and P94/V0



### 18.7.3 Port 9 registers

- Port 9 register functions

Register abbreviation	Data	Read	Read by read-modify-write (RMW) instruction	Write
PDR9	0	Pin state is “L” level.	PDR9 value is “0”.	As output port, outputs “L” level.
	1	Pin state is “H” level.	PDR9 value is “1”.	As output port, outputs “H” level.
DDR9	0	Port input enabled		
	1	Port output enabled		

- Correspondence between registers and pins for port 9

	Correspondence between related register bits and pins							
Pin name	-	-	-	P94	P93	P92	P91	P90
PDR9	-	-	-	bit4	bit3	bit2	bit1	bit0
DDR9	-	-	-					

### 18.7.4 Port 9 operations

- Operation as an output port
  - A pin becomes an output port if the bit in the DDR9 register corresponding to that pin is set to “1”.
  - When a pin is used as an output port, it outputs the value of the PDR9 register to external pins.
  - If data is written to the PDR9 register, the value is stored in the output latch and is output to the pin set as an output port as it is.
  - Reading the PDR9 register returns the PDR9 register value.
  - To use a pin shared with the LCDC as an output port, set the bit corresponding to that pin in the VE[4:0] bits in the LCDC enable register 1 (LCDCE1) to “0” to select the general-purpose I/O port function.
- Operation as an input port
  - A pin becomes an input port if the bit in the DDR9 register corresponding to that pin is set to “0”.
  - If data is written to the PDR9 register, the value is stored in the output latch but is not output to the pin set as an input port.
  - Reading the PDR9 register returns the pin value. However, if the read-modify-write (RMW) type of instruction is used to read the PDR9 register, the PDR9 register value is returned.
  - To use a pin shared with the LCDC as an input port, set the bit corresponding to that pin in the VE[4:0] bits in the LCDCE1 register to “0” to select the general-purpose I/O port function.
- Operation at reset
  - If the CPU is reset, all bits in the DDR9 register are initialized to “0” and port input is enabled.
- Operation in stop mode and watch mode
  - If the pin state setting bit in the standby control register (STBC:SPL) is set to “1” and the device transits to stop mode or watch mode, the pin is compulsorily made to enter the high impedance state regardless of the DDR9 register value. The input of that pin is locked to “L” level and blocked in order to prevent leaks due to input open.
  - If the pin state setting bit is “0”, the state of the port I/O or that of the peripheral function I/O remains unchanged and the output level is maintained.
- Operation as an LCD drive power supply pin
  - Set the bit in the DDR9 register corresponding to an LCD drive power supply pin to “0”.
  - To use a pin shared with a general-purpose I/O port as an LCD drive power supply pin, set the bit corresponding to that pin in the VE[4:0] bits in the LCDCE1 register to “1” to select the LCD drive power supply function.

## 18.8 Port A

Port A is a general-purpose I/O port. This section focuses on its functions as a general-purpose I/O port. For details of peripheral functions, refer to their respective chapters in “New 8FX MB95710M/770M Series Hardware Manual”.

### 18.8.1 Port A configuration

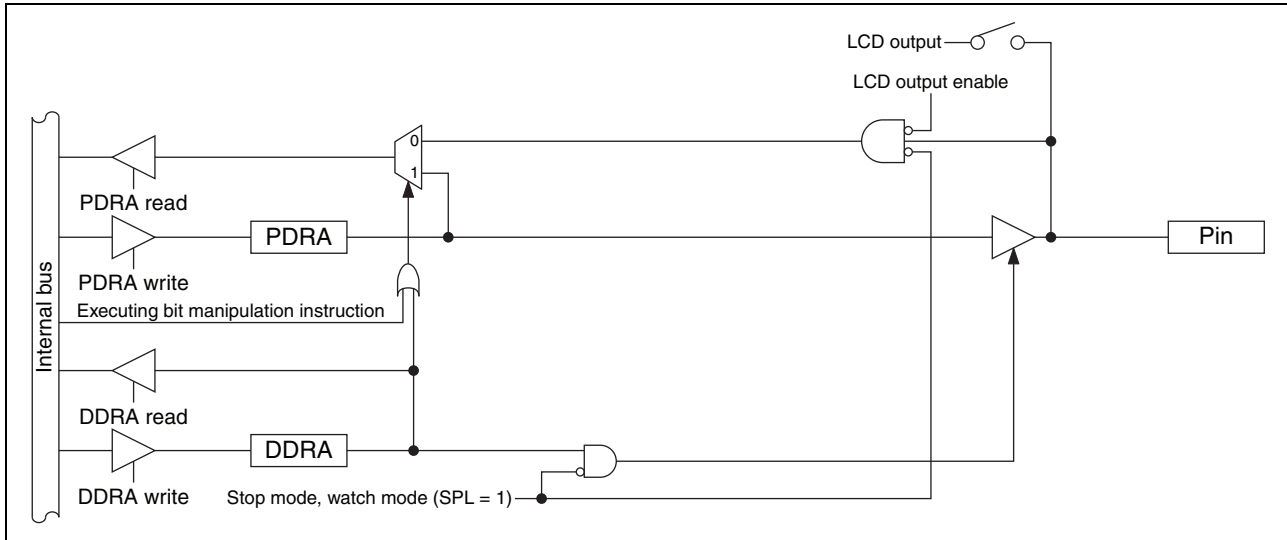
Port A is made up of the following elements.

- General-purpose I/O pins/peripheral function I/O pins
- Port A data register (PDRA)
- Port A direction register (DDRA)

### 18.8.2 Block diagrams of port A

- PA0/COM0 pin  
This pin has the following peripheral function:
  - LCDC COM0 output pin (COM0)
- PA1/COM1 pin  
This pin has the following peripheral function:
  - LCDC COM1 output pin (COM1)
- PA2/COM2 pin  
This pin has the following peripheral function:
  - LCDC COM2 output pin (COM2)
- PA3/COM3 pin  
This pin has the following peripheral function:
  - LCDC COM3 output pin (COM3)
- PA4/COM4 pin  
This pin has the following peripheral function:
  - LCDC COM4 output pin (COM4)
- PA5/COM5 pin  
This pin has the following peripheral function:
  - LCDC COM5 output pin (COM5)
- PA6/COM6 pin  
This pin has the following peripheral function:
  - LCDC COM6 output pin (COM6)
- PA7/COM7 pin  
This pin has the following peripheral function:
  - LCDC COM7 output pin (COM7)

- Block diagram of PA0/COM0, PA1/COM1, PA2/COM2, PA3/COM3, PA4/COM4, PA5/COM5, PA6/COM6 and PA7/COM7



- 18.8.3 Port A registers
- Port A register functions

Register abbreviation	Data	Read	Read by read-modify-write (RMW) instruction	Write
PDRA	0	Pin state is "L" level.	PDRA value is "0".	As output port, outputs "L" level.
	1	Pin state is "H" level.	PDRA value is "1".	As output port, outputs "H" level.
DDRA	0	Port input enabled		
	1	Port output enabled		

- Correspondence between registers and pins for port A

Correspondence between related register bits and pins								
Pin name	PA7	PA6	PA5	PA4	PA3	PA2	PA1	PA0
PDRA	bit7	bit6	bit5	bit4	bit3	bit2	bit1	bit0
DDRA								

#### 18.8.4 Port A operations

- Operation as an output port
  - A pin becomes an output port if the bit in the DDRA register corresponding to that pin is set to “1”.
  - For a pin shared with other peripheral functions, disable the output of such peripheral functions.
  - When a pin is used as an output port, it outputs the value of the PDRA register to external pins.
  - If data is written to the PDRA register, the value is stored in the output latch and is output to the pin set as an output port as it is.
  - Reading the PDRA register returns the PDRA register value.
  - To use a pin shared with the LCDC as an output port, set a corresponding function select bit in the LCDC enable register 2 (LCDCE2:COM[7:0]) to “0” to select the general-purpose I/O port function, and then set the port input control bit in the LCDC enable register 1 (LCDCE1:PICTL) to “1”.
  
- Operation as an input port
  - A pin becomes an input port if the bit in the DDRA register corresponding to that pin is set to “0”.
  - For a pin shared with other peripheral functions, disable the output of such peripheral functions.
  - If data is written to the PDRA register, the value is stored in the output latch but is not output to the pin set as an input port.
  - Reading the PDRA register returns the pin value. However, if the read-modify-write (RMW) type of instruction is used to read the PDRA register, the PDRA register value is returned.
  - To use a pin shared with the LCDC as an input port, set a corresponding function select bit in the LCDC enable register 2 (LCDCE2:COM[7:0]) to “0” to select the general-purpose I/O port function, and then set the PICTL bit in the LCDCE1 register to “1”.
  
- Operation as an LCDC common output pin
  - Set the bit in the DDRA register corresponding to an LCDC common output pin to “0”.
  - To use a pin shared with a general-purpose I/O port as an LCDC common output pin, set a corresponding function select bit in the LCDC enable register 2 (LCDCE2:COM[7:0]) to “1” to select the LCDC common output function, and then set the PICTL bit in the LCDCE1 register to “1”.
  
- Operation at reset

If the CPU is reset, all bits in the DDRA register are initialized to “0” and port input is enabled.
  
- Operation in stop mode and watch mode
  - If the pin state setting bit in the standby control register (STBC:SPL) is set to “1” and the device transits to stop mode or watch mode, the pin is compulsorily made to enter the high impedance state regardless of the DDRA register value. The input of that pin is locked to “L” level and blocked in order to prevent leaks due to input open.
  - If the pin state setting bit is “0”, the state of the port I/O or that of the peripheral function I/O remains unchanged and the output level is maintained.

## 18.9 Port B

Port B is a general-purpose I/O port. This section focuses on its functions as a general-purpose I/O port. For details of peripheral functions, refer to their respective chapters in “New 8FX MB95710M/770M Series Hardware Manual”.

### 18.9.1 Port B configuration

Port B is made up of the following elements.

- General-purpose I/O pins/peripheral function I/O pins
- Port B data register (PDRB)
- Port B direction register (DDRB)

### 18.9.2 Block diagrams of port B

#### • PB0/SEG00 pin

This pin has the following peripheral function:

- LCDDC SEG00 output pin (SEG00)

#### • PB1/SEG01 pin

This pin has the following peripheral function:

- LCDDC SEG01 output pin (SEG01)

#### • PB2/SEG37 pin

This pin has the following peripheral function:

- LCDDC SEG37 output pin (SEG37)

#### • PB3/SEG38 pin

This pin has the following peripheral function:

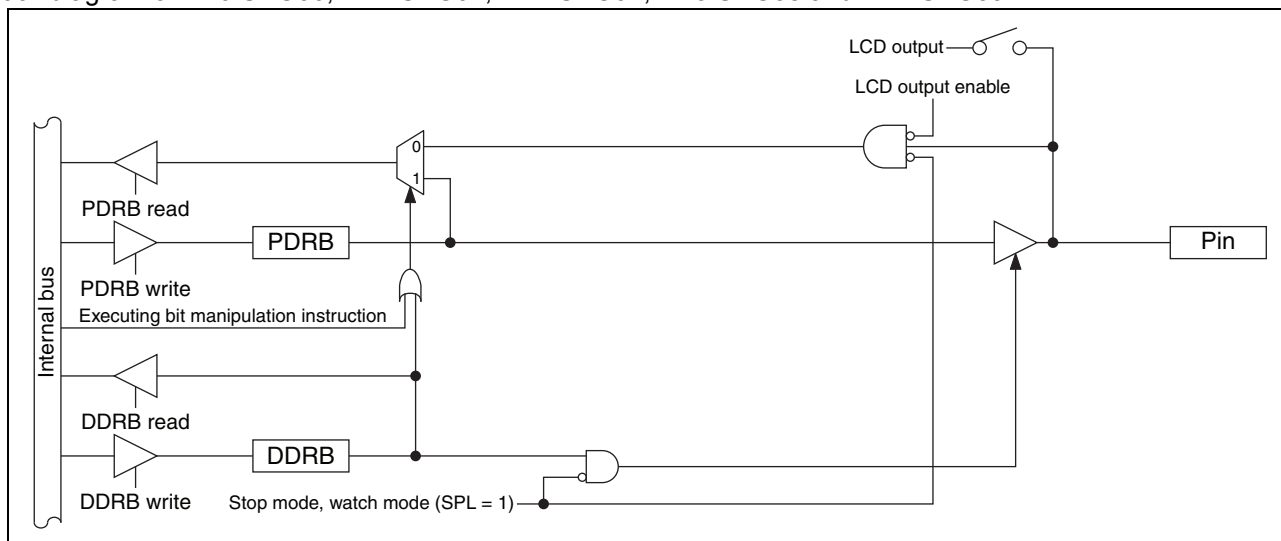
- LCDDC SEG38 output pin (SEG38)

#### • PB4/SEG39 pin

This pin has the following peripheral function:

- LCDDC SEG39 output pin (SEG39)

#### • Block diagram of PB0/SEG00, PB1/SEG01, PB2/SEG37, PB3/SEG38 and PB4/SEG39



### 18.9.3 Port B registers

- Port B register functions

Register abbreviation	Data	Read	Read by read-modify-write (RMW) instruction	Write
PDRB	0	Pin state is “L” level.	PDRB value is “0”.	As output port, outputs “L” level.
	1	Pin state is “H” level.	PDRB value is “1”.	As output port, outputs “H” level.
DDRB	0	Port input enabled		
	1	Port output enabled		

- Correspondence between registers and pins for port B

Pin name	Correspondence between related register bits and pins							
	-	-	-	PB4	PB3	PB2	PB1	PB0
PDRB	-	-	-	bit4	bit3	bit2	bit1	bit0
DDRB	-	-	-					

### 18.9.4 Port B operations

- Operation as an output port
  - A pin becomes an output port if the bit in the DDRB register corresponding to that pin is set to “1”.
  - For a pin shared with other peripheral functions, disable the output of such peripheral functions.
  - When a pin is used as an output port, it outputs the value of the PDRB register to external pins.
  - If data is written to the PDRB register, the value is stored in the output latch and is output to the pin set as an output port as it is.
  - Reading the PDRB register returns the PDRB register value.
  - To use a pin shared with the LCDC as an output port, set a corresponding function select bit in the LCDC enable register 3 (LCDCE3:SEG[01:00]) or in the LCDC enable register 7 (LCDCE7:SEG[39:37]) to “0” to select the general-purpose I/O port function, and then set the port input control bit (PICTL) in the LCDC enable register 1 (LCDCE1) to “1”.
- Operation as an input port
  - A pin becomes an input port if the bit in the DDRB register corresponding to that pin is set to “0”.
  - For a pin shared with other peripheral functions, disable the output of such peripheral functions.
  - If data is written to the PDRB register, the value is stored in the output latch but is not output to the pin set as an input port.
  - Reading the PDRB register returns the pin value. However, if the read-modify-write (RMW) type of instruction is used to read the PDRB register, the PDRB register value is returned.
  - To use a pin shared with the LCDC as an input port, set a corresponding function select bit in the LCDC enable register 3 (LCDCE3:SEG[01:00]) or in the LCDC enable register 7 (LCDCE7:SEG[39:37]) to “0” to select the general-purpose I/O port function, and then set the PICTL bit in the LCDCE1 register to “1”.
- Operation as an LCDC segment output pin
  - Set the bit in the DDRB register corresponding to an LCDC segment output pin to “0”.
  - To use a pin shared with a general-purpose I/O port as an LCDC segment output pin, set a corresponding function select bit in the LCDC enable register 3 (LCDCE3:SEG[01:00]) or in the LCDC enable register 7 (LCDCE7:SEG[39:37]) to “1” to select the LCDC segment output function, and then set the PICTL bit in the LCDCE1 register to “1”.

- Operation at reset  
If the CPU is reset, all bits in the DDRB register are initialized to “0” and port input is enabled.
- Operation in stop mode and watch mode
  - If the pin state setting bit in the standby control register (STBC:SPL) is set to “1” and the device transits to stop mode or watch mode, the pin is compulsorily made to enter the high impedance state regardless of the DDRB register value. The input of that pin is locked to “L” level and blocked in order to prevent leaks due to input open.
  - If the pin state setting bit is “0”, the state of the port I/O or that of the peripheral function I/O remains unchanged and the output level is maintained.

### 18.10 Port C

Port C is a general-purpose I/O port. This section focuses on its functions as a general-purpose I/O port. For details of peripheral functions, refer to their respective chapters in “New 8FX MB95710M/770M Series Hardware Manual”.

#### 18.10.1 Port C configuration

Port C is made up of the following elements.

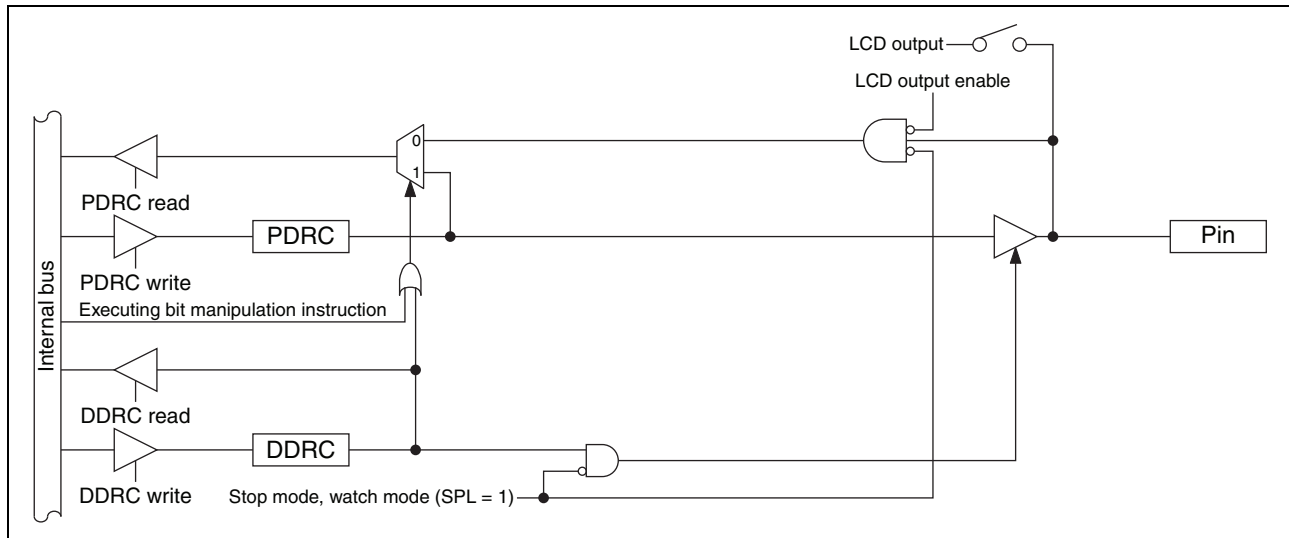
- General-purpose I/O pins/peripheral function I/O pins
- Port C data register (PDRC)
- Port C direction register (DDRC)

#### 18.10.2 Block diagrams of port C

- PC0/SEG02 pin  
This pin has the following peripheral function:
  - LCDC SEG02 output pin (SEG02)
- PC1/SEG03 pin  
This pin has the following peripheral function:
  - LCDC SEG03 output pin (SEG03)
- PC2/SEG04 pin  
This pin has the following peripheral function:
  - LCDC SEG04 output pin (SEG04)
- PC3/SEG05 pin  
This pin has the following peripheral function:
  - LCDC SEG05 output pin (SEG05)
- PC4/SEG06 pin  
This pin has the following peripheral function:
  - LCDC SEG06 output pin (SEG06)
- PC5/SEG07 pin  
This pin has the following peripheral function:
  - LCDC SEG07 output pin (SEG07)
- PC6/SEG08 pin  
This pin has the following peripheral function:
  - LCDC SEG08 output pin (SEG08)
- PC7/SEG09 pin  
This pin has the following peripheral function:
  - LCDC SEG09 output pin (SEG09)



- Block diagram of PC0/SEG02, PC1/SEG03, PC2/SEG04, PC3/SEG05, PC4/SEG06, PC5/SEG07, PC6/SEG08 and PC7/SEG09



18.10.3 Port C registers

- Port C register functions

Register abbreviation	Data	Read	Read by read-modify-write (RMW) instruction	Write
PDRC	0	Pin state is "L" level.	PDRC value is "0".	As output port, outputs "L" level.
	1	Pin state is "H" level.	PDRC value is "1".	As output port, outputs "H" level.
DDRC	0	Port input enabled		
	1	Port output enabled		

- Correspondence between registers and pins for port C

Correspondence between related register bits and pins								
Pin name	PC7	PC6	PC5	PC4	PC3	PC2	PC1	PC0
PDRC	bit7	bit6	bit5	bit4	bit3	bit2	bit1	bit0
DDRC								

#### 18.10.4 Port C operations

- Operation as an output port
  - A pin becomes an output port if the bit in the DDRC register corresponding to that pin is set to “1”.
  - For a pin shared with other peripheral functions, disable the output of such peripheral functions.
  - When a pin is used as an output port, it outputs the value of the PDRC register to external pins.
  - If data is written to the PDRC register, the value is stored in the output latch and is output to the pin set as an output port as it is.
  - Reading the PDRC register returns the PDRC register value.
  - To use a pin shared with the LCDC as an output port, set a corresponding function select bit in the LCDC enable register 3 (LCDCE3:SEG[07:02]) or in the LCDC enable register 4 (LCDCE4:SEG[09:08]) to “0” to select the general-purpose I/O port function, and then set the port input control bit in the LCDC enable register 1 (LCDCE1:PICTL) to “1”.
  
- Operation as an input port
  - A pin becomes an input port if the bit in the DDRC register corresponding to that pin is set to “0”.
  - For a pin shared with other peripheral functions, disable the output of such peripheral functions.
  - If data is written to the PDRC register, the value is stored in the output latch but is not output to the pin set as an input port.
  - Reading the PDRC register returns the pin value. However, if the read-modify-write (RMW) type of instruction is used to read the PDRC register, the PDRC register value is returned.
  - To use a pin shared with the LCDC as an input port, set a corresponding function select bit in the LCDC enable register 3 (LCDCE3:SEG[07:02]) or in the LCDC enable register 4 (LCDCE4:SEG[09:08]) to “0” to select the general-purpose I/O port function, and then set the PICTL bit in the LCDCE1 register to “1”.
  
- Operation as an LCDC segment output pin
  - Set the bit in the DDRC register corresponding to an LCDC segment output pin to “0”.
  - To use a pin shared with a general-purpose I/O port as an LCDC segment output pin, set a corresponding function select bit in the LCDC enable register 3 (LCDCE3:SEG[07:02]) or in the LCDC enable register 4 (LCDCE4:SEG[09:08]) to “1” to select the LCDC segment output function, and then set the PICTL bit in the LCDCE1 register to “1”.
  
- Operation at reset

If the CPU is reset, all bits in the DDRC register are initialized to “0” and port input is enabled.
  
- Operation in stop mode and watch mode
  - If the pin state setting bit in the standby control register (STBC:SPL) is set to “1” and the device transits to stop mode or watch mode, the pin is compulsorily made to enter the high impedance state regardless of the DDRC register value. The input of that pin is locked to “L” level and blocked in order to prevent leaks due to input open.
  - If the pin state setting bit is “0”, the state of the port I/O or that of the peripheral function I/O remains unchanged and the output level is maintained.

### 18.11 Port E

Port E is a general-purpose I/O port. This section focuses on its functions as a general-purpose I/O port. For details of peripheral functions, refer to their respective chapters in “New 8FX MB95710M/770M Series Hardware Manual”.

#### 18.11.1 Port E configuration

Port E is made up of the following elements.

- General-purpose I/O pins/peripheral function I/O pins
- Port E data register (PDRE)
- Port E direction register (DDRE)

#### 18.11.2 Block diagrams of port E

- PE0/SEG22 pin

This pin has the following peripheral function:

- LCDC SEG22 output pin (SEG22)

- PE1/SEG23 pin

This pin has the following peripheral function:

- LCDC SEG23 output pin (SEG23)

- PE2/SEG24 pin

This pin has the following peripheral function:

- LCDC SEG24 output pin (SEG24)

- PE3/SEG25 pin

This pin has the following peripheral function:

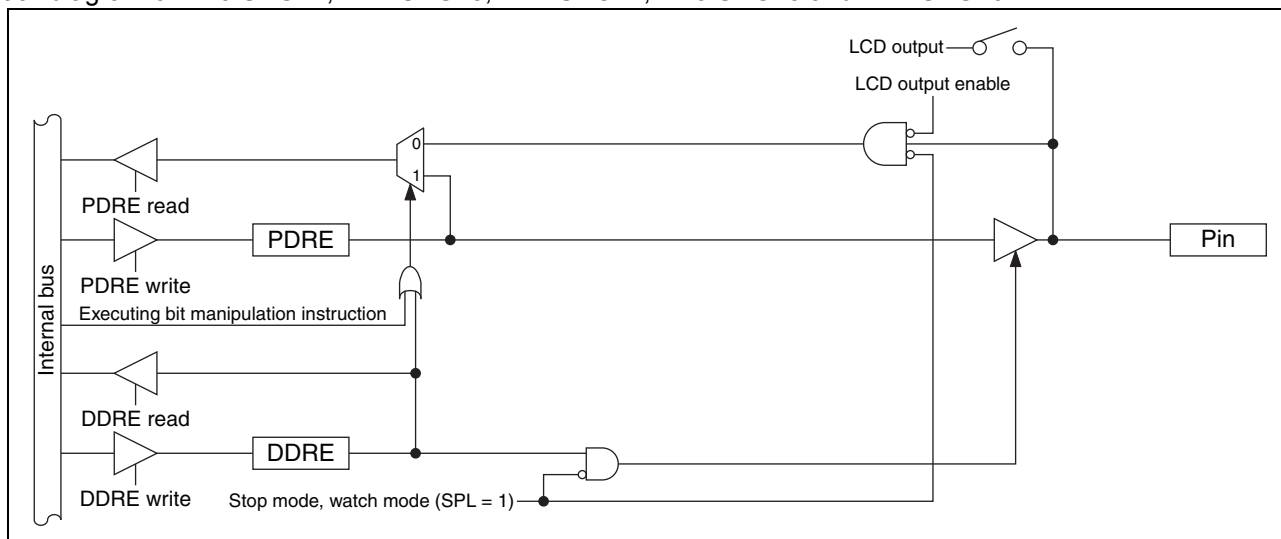
- LCDC SEG25 output pin (SEG25)

- PE4/SEG26 pin

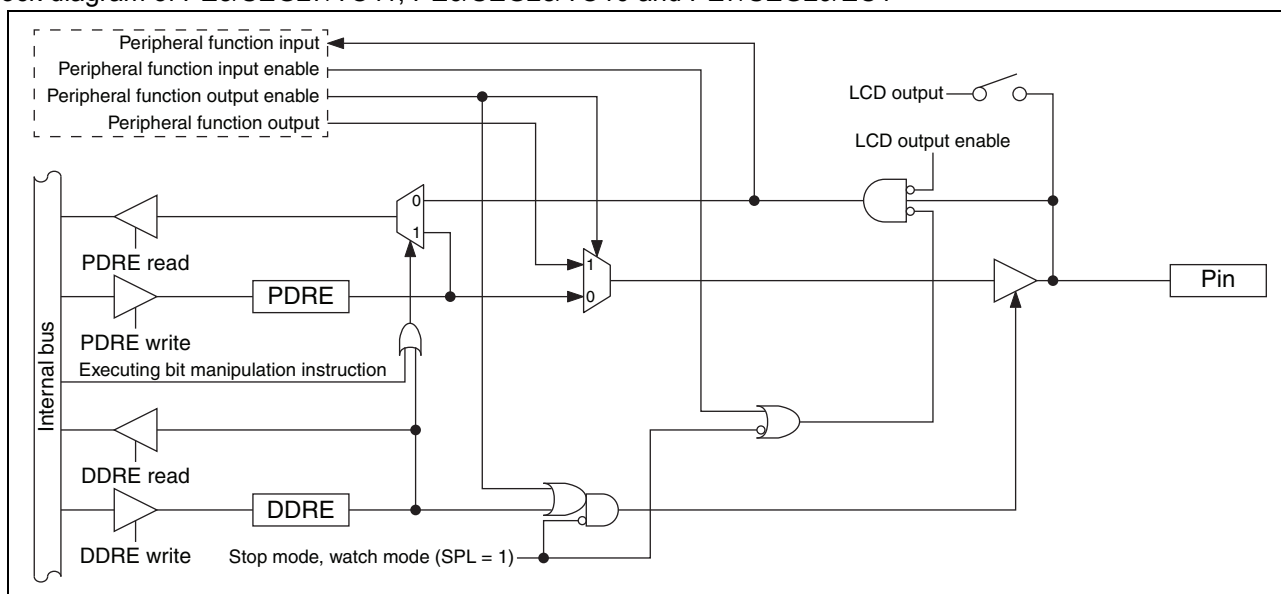
This pin has the following peripheral function:

- LCDC SEG26 output pin (SEG26)

- Block diagram of PE0/SEG22, PE1/SEG23, PE2/SEG24, PE3/SEG25 and PE4/SEG26



- PE5/SEG27/TO11 pin  
This pin has the following peripheral functions:
  - LCDC SEG27 output pin (SEG27)
  - 8/16-bit composite timer ch. 1 output pin (TO11)
- PE6/SEG28/TO10 pin  
This pin has the following peripheral functions:
  - LCDC SEG28 output pin (SEG28)
  - 8/16-bit composite timer ch. 1 output pin (TO10)
- PE7/SEG29/EC1 pin  
This pin has the following peripheral functions:
  - LCDC SEG29 output pin (SEG29)
  - 8/16-bit composite timer ch. 1 clock input pin (EC1)
- Block diagram of PE5/SEG27/TO11, PE6/SEG28/TO10 and PE7/SEG29/EC1



18.11.3 Port E registers

- Port E register functions

Register abbreviation	Data	Read	Read by read-modify-write (RMW) instruction	Write
PDRE	0	Pin state is "L" level.	PDRE value is "0".	As output port, outputs "L" level.
	1	Pin state is "H" level.	PDRE value is "1".	As output port, outputs "H" level.
DDRE	0	Port input enabled		
	1	Port output enabled		

- Correspondence between registers and pins for port E

	Correspondence between related register bits and pins							
Pin name	PE7	PE6	PE5	PE4	PE3	PE2	PE1	PE0
PDRE	bit7	bit6	bit5	bit4	bit3	bit2	bit1	bit0
DDRE								

#### 18.11.4 Port E operations

- Operation as an output port
  - A pin becomes an output port if the bit in the DDRE register corresponding to that pin is set to “1”.
  - For a pin shared with other peripheral functions, disable the output of such peripheral functions.
  - When a pin is used as an output port, it outputs the value of the PDRE register to external pins.
  - If data is written to the PDRE register, the value is stored in the output latch and is output to the pin set as an output port as it is.
  - Reading the PDRE register returns the PDRE register value.
  - To use a pin shared with the LCDC as an output port, set a corresponding function select bit in the LCDC enable register 5 (LCDCE5:SEG[23:22]) or in the LCDC enable register 6 (LCDCE6:SEG[29:24]) to “0” to select the general-purpose I/O port function, and then set the port input control bit in the LCDC enable register 1 (LCDCE1:PICTL) to “1”.
  
- Operation as an input port
  - A pin becomes an input port if the bit in the DDRE register corresponding to that pin is set to “0”.
  - For a pin shared with other peripheral functions, disable the output of such peripheral functions.
  - If data is written to the PDRE register, the value is stored in the output latch but is not output to the pin set as an input port.
  - Reading the PDRE register returns the pin value. However, if the read-modify-write (RMW) type of instruction is used to read the PDRE register, the PDRE register value is returned.
  - To use a pin shared with the LCDC as an input port, set a corresponding function select bit in the LCDC enable register 5 (LCDCE5:SEG[23:22]) or in the LCDC enable register 6 (LCDCE6:SEG[29:24]) to “0” to select the general-purpose I/O port function, and then set the PICTL bit in the LCDCE1 register to “1”.
  
- Operation as a peripheral function output pin
  - A pin becomes a peripheral function output pin if the peripheral output function is enabled by setting the output enable bit of a peripheral function corresponding to that pin.
  - The pin value can be read from the PDRE register even if the peripheral function output is enabled. Therefore, the output value of a peripheral function can be read by the read operation on the PDRE register. However, if the read-modify-write (RMW) type of instruction is used to read the PDRE register, the PDRE register value is returned.
  
- Operation as a peripheral function input pin
  - To set a pin as an input port, set the bit in the DDRE register corresponding to the input pin of a peripheral function to “0”.
  - Reading the PDRE register returns the pin value, regardless of whether the peripheral function uses that pin as its input pin. However, if the read-modify-write (RMW) type of instruction is used to read the PDRE register, the PDRE register value is returned.
  
- Operation as an LCDC segment output pin
  - Set the bit in the DDRE register corresponding to an LCDC segment output pin to “0”.
  - To use a pin shared with a general-purpose I/O port as an LCDC segment output pin, set a corresponding function select bit in the LCDC enable register 5 (LCDCE5:SEG[23:22]) or in the LCDC enable register 6 (LCDCE6:SEG[29:24]) to “1” to select the LCDC segment output function, and then set the PICTL bit in the LCDCE1 register to “1”.
  
- Operation at reset
  - If the CPU is reset, all bits in the DDRE register are initialized to “0” and port input is enabled.
  
- Operation in stop mode and watch mode
  - If the pin state setting bit in the standby control register (STBC:SPL) is set to “1” and the device transits to stop mode or watch mode, the pin is compulsorily made to enter the high impedance state regardless of the DDRE register value. The input of that pin is locked to “L” level and blocked in order to prevent leaks due to input open.

- If the pin state setting bit is “0”, the state of the port I/O or that of the peripheral function I/O remains unchanged and the output level is maintained.

## 18.12 Port F

Port F is a general-purpose I/O port. This section focuses on its functions as a general-purpose I/O port. For details of peripheral functions, refer to their respective chapters in “New 8FX MB95710M/770M Series Hardware Manual”.

### 18.12.1 Port F configuration

Port F is made up of the following elements.

- General-purpose I/O pins/peripheral function I/O pins
- Port F data register (PDRF)
- Port F direction register (DDRF)

### 18.12.2 Block diagrams of port F

- PF0/X0 pin

This pin has the following peripheral function:

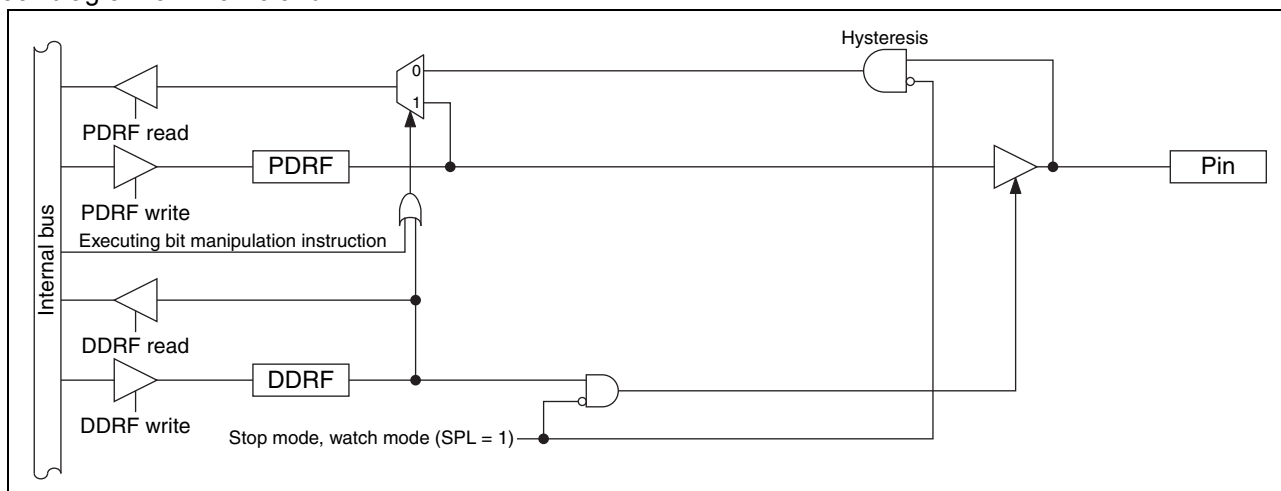
- Main clock input oscillation pin (X0)

- PF1/X1 pin

This pin has the following peripheral function:

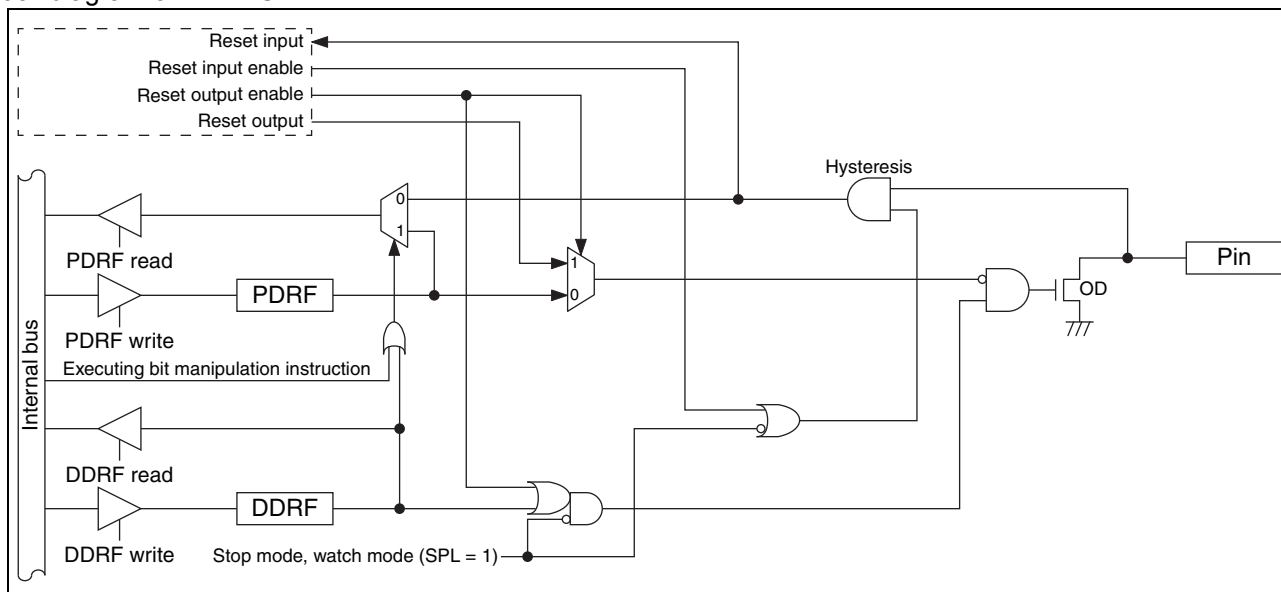
- Main clock I/O oscillation pin (X1)

- Block diagram of PF0/X0 and PF1/X1



- PF2/ $\overline{\text{RST}}$  pin  
This pin has the following peripheral function:
  - Reset pin ( $\overline{\text{RST}}$ )

- Block diagram of PF2/ $\overline{\text{RST}}$



### 18.12.3 Port F registers

- Port F register functions

Register abbreviation	Data	Read	Read by read-modify-write (RMW) instruction	Write
PDRF	0	Pin state is "L" level.	PDRF value is "0".	As output port, outputs "L" level.
	1	Pin state is "H" level.	PDRF value is "1".	As output port, outputs "H" level.*
DDRF	0	Port input enabled		
	1	Port output enabled		

\*: If the pin is an N-ch open drain pin, the pin state becomes Hi-Z.

- Correspondence between registers and pins for port F

	Correspondence between related register bits and pins							
Pin name	-	-	-	-	-	PF2*	PF1	PF0
PDRF	-	-	-	-	-	bit2	bit1	bit0
DDRF	-	-	-	-	-			

\*: PF2/ $\overline{\text{RST}}$  is the dedicated reset pin on MB95F714M/F716M/F718M.

#### 18.12.4 Port F operations

- Operation as an output port
  - A pin becomes an output port if the bit in the DDRF register corresponding to that pin is set to “1”.
  - For a pin shared with other peripheral functions, disable the output of such peripheral functions.
  - When a pin is used as an output port, it outputs the value of the PDRF register to external pins.
  - If data is written to the PDRF register, the value is stored in the output latch and is output to the pin set as an output port as it is.
  - Reading the PDRF register returns the PDRF register value.
- Operation as an input port
  - A pin becomes an input port if the bit in the DDRF register corresponding to that pin is set to “0”.
  - For a pin shared with other peripheral functions, disable the output of such peripheral functions.
  - If data is written to the PDRF register, the value is stored in the output latch but is not output to the pin set as an input port.
  - Reading the PDRF register returns the pin value. However, if the read-modify-write (RMW) type of instruction is used to read the PDRF register, the PDRF register value is returned.
- Operation at reset

If the CPU is reset, all bits in the DDRF register are initialized to “0” and port input is enabled.
- Operation in stop mode and watch mode
  - If the pin state setting bit in the standby control register (STBC:SPL) is set to “1” and the device transits to stop mode or watch mode, the pin is compulsorily made to enter the high impedance state regardless of the DDRF register value. The input of that pin is locked to “L” level and blocked in order to prevent leaks due to input open.
  - If the pin state setting bit is “0”, the state of the port I/O or that of the peripheral function I/O remains unchanged and the output level is maintained.

### 18.13 Port G

Port G is a general-purpose I/O port. This section focuses on its functions as a general-purpose I/O port. For details of peripheral functions, refer to their respective chapters in “New 8FX MB95710M/770M Series Hardware Manual”.

#### 18.13.1 Port G configuration

Port G is made up of the following elements.

- General-purpose I/O pins/peripheral function I/O pins
- Port G data register (PDRG)
- Port G direction register (DDRG)
- Port G pull-up register (PULG)

#### 18.13.2 Block diagram of port G

- PG1/X0A pin

This pin has the following peripheral function:

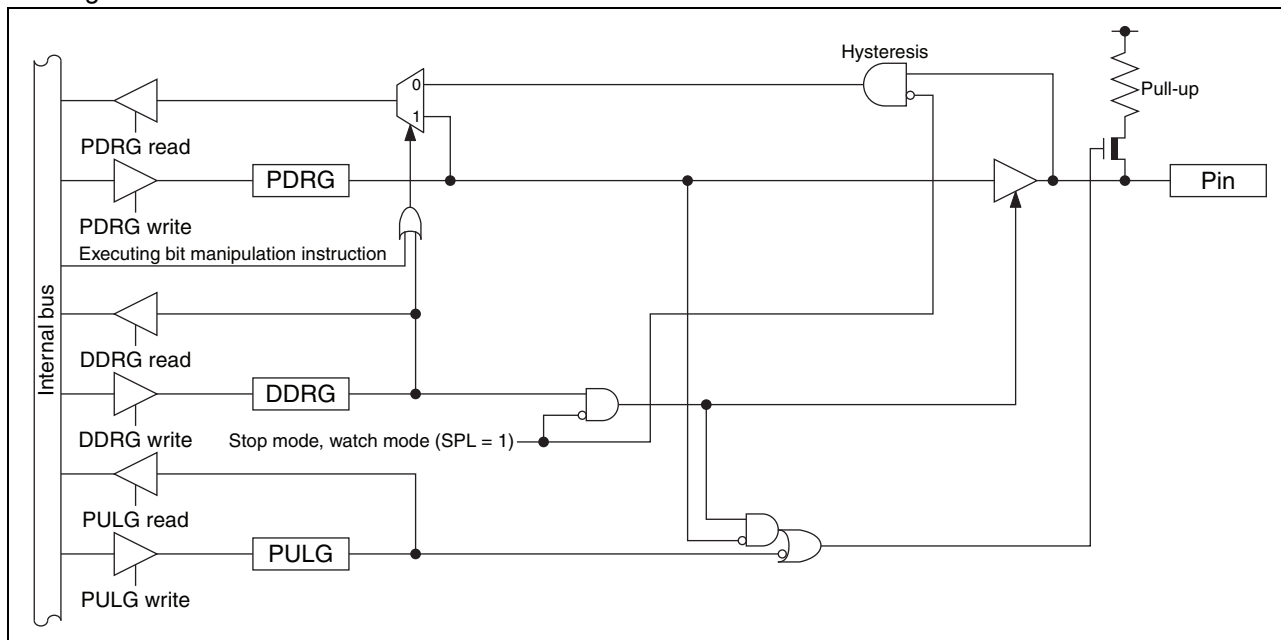
  - Subclock input oscillation pin (X0A)
- PG2/X1A pin

This pin has the following peripheral function:

  - Subclock I/O oscillation pin (X1A)



- Block diagram of PG1/X0A and PG2/X1A



18.13.3 Port G registers

- Port G register functions

Register abbreviation	Data	Read	Read by read-modify-write (RMW) instruction	Write
PDRG	0	Pin state is "L" level.	PDRG value is "0".	As output port, outputs "L" level.
	1	Pin state is "H" level.	PDRG value is "1".	As output port, outputs "H" level.
DDRG	0	Port input enabled		
	1	Port output enabled		
PULG	0	Pull-up disabled		
	1	Pull-up enabled		

- Correspondence between registers and pins for port G

Correspondence between related register bits and pins								
Pin name	-	-	-	-	-	PG2	PG1	-
PDRG	-	-	-	-	-	bit2	bit1	-
DDRG	-	-	-	-	-	-	-	-
PULG	-	-	-	-	-	-	-	-

#### 18.13.4 Port G operations

- Operation as an output port
  - A pin becomes an output port if the bit in the DDRG register corresponding to that pin is set to “1”.
  - For a pin shared with other peripheral functions, disable the output of such peripheral functions.
  - When a pin is used as an output port, it outputs the value of the PDRG register to external pins.
  - If data is written to the PDRG register, the value is stored in the output latch and is output to the pin set as an output port as it is.
  - Reading the PDRG register returns the PDRG register value.
  
- Operation as an input port
  - A pin becomes an input port if the bit in the DDRG register corresponding to that pin is set to “0”.
  - For a pin shared with other peripheral functions, disable the output of such peripheral functions.
  - If data is written to the PDRG register, the value is stored in the output latch but is not output to the pin set as an input port.
  - Reading the PDRG register returns the pin value. However, if the read-modify-write (RMW) type of instruction is used to read the PDRG register, the PDRG register value is returned.
  
- Operation at reset

If the CPU is reset, all bits in the DDRG register are initialized to “0” and port input is enabled.
  
- Operation in stop mode and watch mode
  - If the pin state setting bit in the standby control register (STBC:SPL) is set to “1” and the device transits to stop mode or watch mode, the pin is compulsorily made to enter the high impedance state regardless of the DDRG register value. The input of that pin is locked to “L” level and blocked in order to prevent leaks due to input open.
  - If the pin state setting bit is “0”, the state of the port I/O or that of the peripheral function I/O remains unchanged and the output level is maintained.
  
- Operation of the pull-up register

Setting the bit in the PULG register to “1” makes the pull-up resistor be internally connected to the pin. When the pin output is “L” level, the pull-up resistor is disconnected regardless of the value of the PULG register.

## 19. I/O Ports (MB95770M Series)

- List of port registers

Register name		Read/Write	Initial value
Port 0 data register	PDR0	R, RM/W	0b00000000
Port 0 direction register	DDR0	R/W	0b00000000
Port 1 data register	PDR1	R, RM/W	0b00000000
Port 1 direction register	DDR1	R/W	0b00000000
Port 2 data register	PDR2	R, RM/W	0b00000000
Port 2 direction register	DDR2	R/W	0b00000000
Port 6 data register	PDR6	R, RM/W	0b00000000
Port 6 direction register	DDR6	R/W	0b00000000
Port 9 data register	PDR9	R, RM/W	0b00000000
Port 9 direction register	DDR9	R/W	0b00000000
Port A data register	PDRA	R, RM/W	0b00000000
Port A direction register	DDRA	R/W	0b00000000
Port B data register	PDRB	R, RM/W	0b00000000
Port B direction register	DDRB	R/W	0b00000000
Port C data register	PDRC	R, RM/W	0b00000000
Port C direction register	DDRC	R/W	0b00000000
Port E data register	PDRE	R, RM/W	0b00000000
Port E direction register	DDRE	R/W	0b00000000
Port F data register	PDRF	R, RM/W	0b00000000
Port F direction register	DDRF	R/W	0b00000000
Port G data register	PDRG	R, RM/W	0b00000000
Port G direction register	DDRG	R/W	0b00000000
Port 1 pull-up register	PUL1	R/W	0b00000000
Port 2 pull-up register	PUL2	R/W	0b00000000
Port G pull-up register	PULG	R/W	0b00000000
A/D input disable register (lower)	AIDRL	R/W	0b00000000

R/W : Readable/writable (The read value is the same as the write value.)

R, RM/W : Readable/writable (The read value is different from the write value. The write value is read by the read-modify-write (RMW) type of instruction.)

## 19.1 Port 0

Port 0 is a general-purpose I/O port. This section focuses on its functions as a general-purpose I/O port. For details of peripheral functions, refer to their respective chapters in “New 8FX MB95710M/770M Series Hardware Manual”.

### 19.1.1 Port 0 configuration

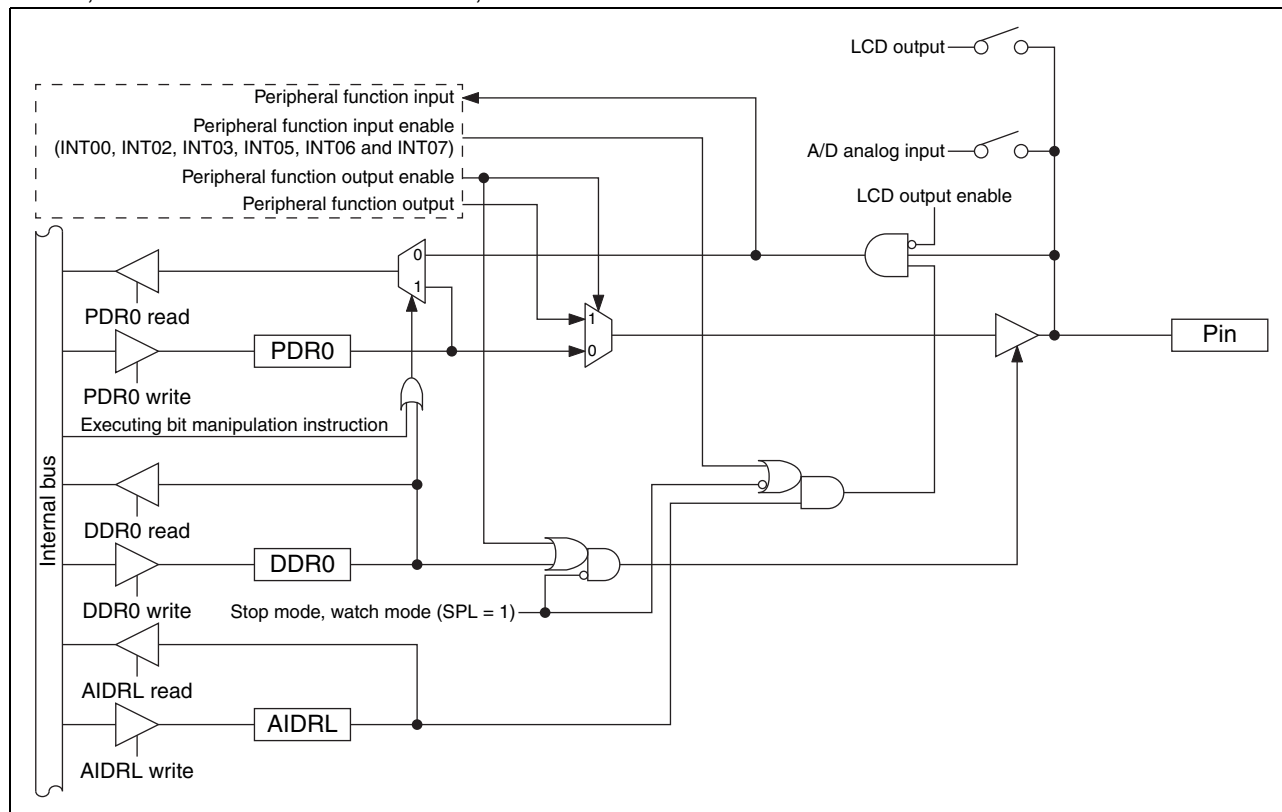
Port 0 is made up of the following elements.

- General-purpose I/O pins/peripheral function I/O pins
- Port 0 data register (PDR0)
- Port 0 direction register (DDR0)
- A/D input disable register (lower) (AIDRL)

### 19.1.2 Block diagrams of port 0

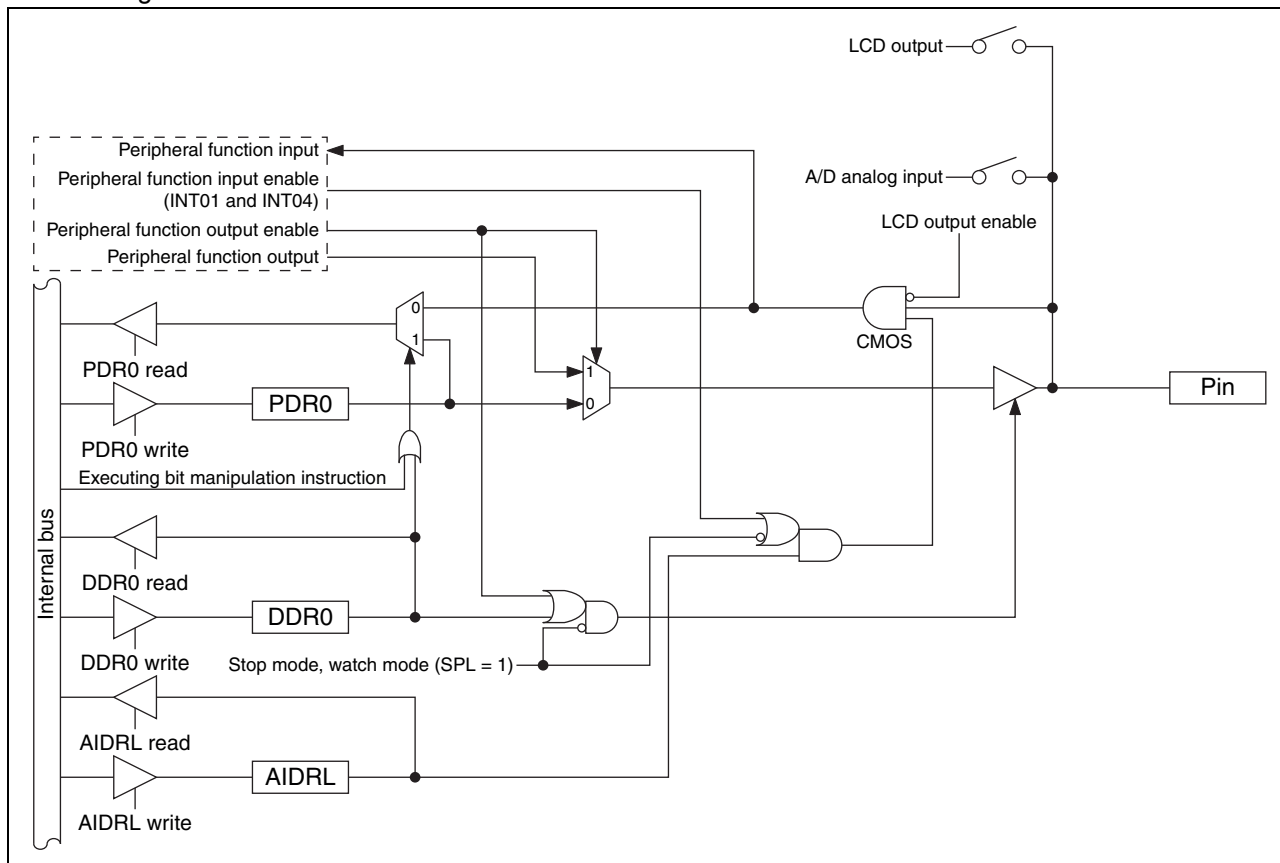
- P00/INT00/AN00/SEG29/UO2 pin  
This pin has the following peripheral functions:
  - External interrupt input pin (INT00)
  - 8/12-bit A/D converter analog input pin (AN00)
  - LCDC SEG29 output pin (SEG29)
  - UART/SIO ch. 2 data output pin (UO2)
- P02/INT02/AN02/SEG27/UCK2 pin  
This pin has the following peripheral functions:
  - External interrupt input pin (INT02)
  - 8/12-bit A/D converter analog input pin (AN02)
  - LCDC SEG27 output pin (SEG27)
  - UART/SIO ch. 2 clock I/O pin (UCK2)
- P03/INT03/AN03/SEG26/UO1 pin  
This pin has the following peripheral functions:
  - External interrupt input pin (INT03)
  - 8/12-bit A/D converter analog input pin (AN03)
  - LCDC SEG26 output pin (SEG26)
  - UART/SIO ch. 1 data output pin (UO1)
- P05/INT05/AN05/SEG24/UCK1 pin  
This pin has the following peripheral functions:
  - External interrupt input pin (INT05)
  - 8/12-bit A/D converter analog input pin (AN05)
  - LCDC SEG24 output pin (SEG24)
  - UART/SIO ch. 1 clock I/O pin (UCK1)
- P06/INT06/AN06/SEG23 pin  
This pin has the following peripheral functions:
  - External interrupt input pin (INT06)
  - 8/12-bit A/D converter analog input pin (AN06)
  - LCDC SEG23 output pin (SEG23)
- P07/INT07/AN07/SEG22 pin  
This pin has the following peripheral functions:
  - External interrupt input pin (INT07)
  - 8/12-bit A/D converter analog input pin (AN07)
  - LCDC SEG22 output pin (SEG22)

- Block diagram of P00/INT00/AN00/SEG29/UO2, P02/INT02/AN02/SEG27/UCK2, P03/INT03/AN03/SEG26/UO1, P05/INT05/AN05/SEG24/UCK1, P06/INT06/AN06/SEG23 and P07/INT07/AN07/SEG22



- P01/INT01/AN01/SEG28/TO00/UI2 pin  
This pin has the following peripheral functions:
  - External interrupt input pin (INT01)
  - 8/12-bit A/D converter analog input pin (AN01)
  - LCDC SEG28 output pin (SEG28)
  - 8/16-bit composite timer ch. 0 output pin (TO00)
  - UART/SIO ch. 2 data input pin (UI2)
- P04/INT04/AN04/SEG25/UI1 pin  
This pin has the following peripheral functions:
  - External interrupt input pin (INT04)
  - 8/12-bit A/D converter analog input pin (AN04)
  - LCDC SEG25 output pin (SEG25)
  - UART/SIO ch. 1 data input pin (UI1)

- Block diagram of P01/INT01/AN01/SEG28/TO00/UI2 and P04/INT04/AN04/SEG25/UI1



19.1.3 Port 0 registers

- Port 0 register functions

Register abbreviation	Data	Read	Read by read-modify-write (RMW) instruction	Write
PDR0	0	Pin state is "L" level.	PDR0 value is "0".	As output port, outputs "L" level.
	1	Pin state is "H" level.	PDR0 value is "1".	As output port, outputs "H" level.
DDR0	0	Port input enabled		
	1	Port output enabled		
AIDRL	0	Analog input enabled		
	1	Port input enabled		

- Correspondence between registers and pins for port 0

	Correspondence between related register bits and pins							
Pin name	P07	P06	P05	P04	P03	P02	P01	P00
PDR0								
DDR0	bit7	bit6	bit5	bit4	bit3	bit2	bit1	bit0
AIDRL								

#### 19.1.4 Port 0 operations

- Operation as an output port
  - A pin becomes an output port if the bit in the DDR0 register corresponding to that pin is set to “1”.
  - For a pin shared with other peripheral functions, disable the output of such peripheral functions.
  - When a pin is used as an output port, it outputs the value of the PDR0 register to external pins.
  - If data is written to the PDR0 register, the value is stored in the output latch and is output to the pin set as an output port as it is.
  - Reading the PDR0 register returns the PDR0 register value.
  - To use a pin shared with the LCDC as an output port, set a corresponding function select bit in the LCDC enable register 5 (LCDCE5:SEG[23:22]) or in the LCDC enable register 6 (LCDCE6:SEG[29:24]) to “0” to select the general-purpose I/O port function, and then set the port input control bit in the LCDC enable register 1 (LCDCE1:PICTL) to “1”.
  
- Operation as an input port
  - A pin becomes an input port if the bit in the DDR0 register corresponding to that pin is set to “0”.
  - For a pin shared with other peripheral functions, disable the output of such peripheral functions.
  - When using an analog input shared pin as an input port, set the corresponding bit in the A/D input disable register (lower) (AIDRL) to “1”.
  - If data is written to the PDR0 register, the value is stored in the output latch but is not output to the pin set as an input port.
  - Reading the PDR0 register returns the pin value. However, if the read-modify-write (RMW) type of instruction is used to read the PDR0 register, the PDR0 register value is returned.
  - To use a pin shared with the LCDC as an input port, set a corresponding function select bit in the LCDC enable register 5 (LCDCE5:SEG[23:22]) or in the LCDC enable register 6 (LCDCE6:SEG[29:24]) to “0” to select the general-purpose I/O port function, and then set the PICTL bit in the LCDCE1 register to “1”.
  
- Operation as a peripheral function output pin
  - A pin becomes a peripheral function output pin if the peripheral output function is enabled by setting the output enable bit of a peripheral function corresponding to that pin.
  - The pin value can be read from the PDR0 register even if the peripheral function output is enabled. Therefore, the output value of a peripheral function can be read by the read operation on the PDR0 register. However, if the read-modify-write (RMW) type of instruction is used to read the PDR0 register, the PDR0 register value is returned.
  
- Operation as a peripheral function input pin
  - To set a pin as an input port, set the bit in the DDR0 register corresponding to the input pin of a peripheral function to “0”.
  - When using the analog input shared pin as another peripheral function input pin, configure it as an input port, which is the same as the operation as an input port.
  - Reading the PDR0 register returns the pin value, regardless of whether the peripheral function uses that pin as its input pin. However, if the read-modify-write (RMW) type of instruction is used to read the PDR0 register, the PDR0 register value is returned.
  
- Operation as an LCDC segment output pin
  - Set the bit in the DDR0 register corresponding to an LCDC segment output pin to “0”.
  - To use a pin shared with a general-purpose I/O port as an LCDC segment output pin, set a corresponding function select bit in the LCDC enable register 5 (LCDCE5:SEG[23:22]) or in the LCDC enable register 6 (LCDCE6:SEG[29:24]) to “1” to select the LCDC segment output function, and then set the PICTL bit in the LCDCE1 register to “1”.
  
- Operation at reset

If the CPU is reset, all bits in the DDR0 register are initialized to “0” and port input is enabled. As for a pin shared with analog input, its port input is disabled because the AIDRL register is initialized to “0”.

- Operation in stop mode and watch mode
  - If the pin state setting bit in the standby control register (STBC:SPL) is set to “1” and the device transits to stop mode or watch mode, the pin is compulsorily made to enter the high impedance state regardless of the DDR0 register value. The input of that pin is locked to “L” level and blocked in order to prevent leaks due to input open. However, if the interrupt input is enabled for the external interrupt (INT00 to INT07), the input is enabled and not blocked.
  - If the pin state setting bit is “0”, the state of the port I/O or that of the peripheral function I/O remains unchanged and the output level is maintained.
- Operation as an analog input pin
  - Set the bit in the DDR0 register corresponding to the analog input pin to “0” and the bit corresponding to that pin in the AIDRL register to “0”.
  - For a pin shared with other peripheral functions, disable the output of such peripheral functions.
- Operation as an external interrupt input pin
  - Set the bit in the DDR0 register corresponding to the external interrupt input pin to “0”.
  - For a pin shared with other peripheral functions, disable the output of such peripheral functions.
  - The pin value is always input to the external interrupt circuit. When using a pin for a function other than the interrupt, disable the external interrupt function corresponding to that pin.

## 19.2 Port 1

Port 1 is a general-purpose I/O port. This section focuses on its functions as a general-purpose I/O port. For details of peripheral functions, refer to their respective chapters in “New 8FX MB95710M/770M Series Hardware Manual”.

### 19.2.1 Port 1 configuration

Port 1 is made up of the following elements.

- General-purpose I/O pins/peripheral function I/O pins
- Port 1 data register (PDR1)
- Port 1 direction register (DDR1)
- Port 1 pull-up register (PUL1)

### 19.2.2 Block diagrams of port 1

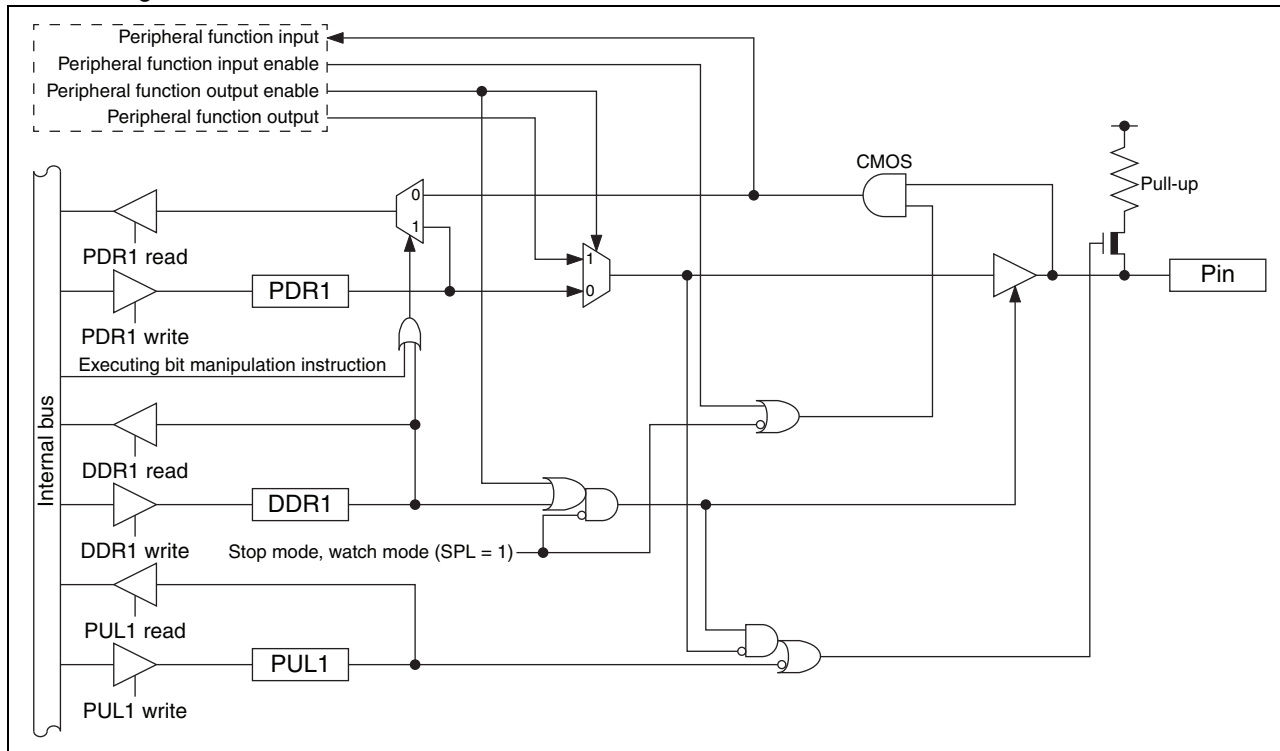
- P10/UI0/TO0 pin

This pin has the following peripheral functions:

  - UART/SIO ch. 0 data input pin (UI0)
  - 16-bit reload timer ch. 0 output pin (TO0)



• Block diagram of P10/UI0/TO0

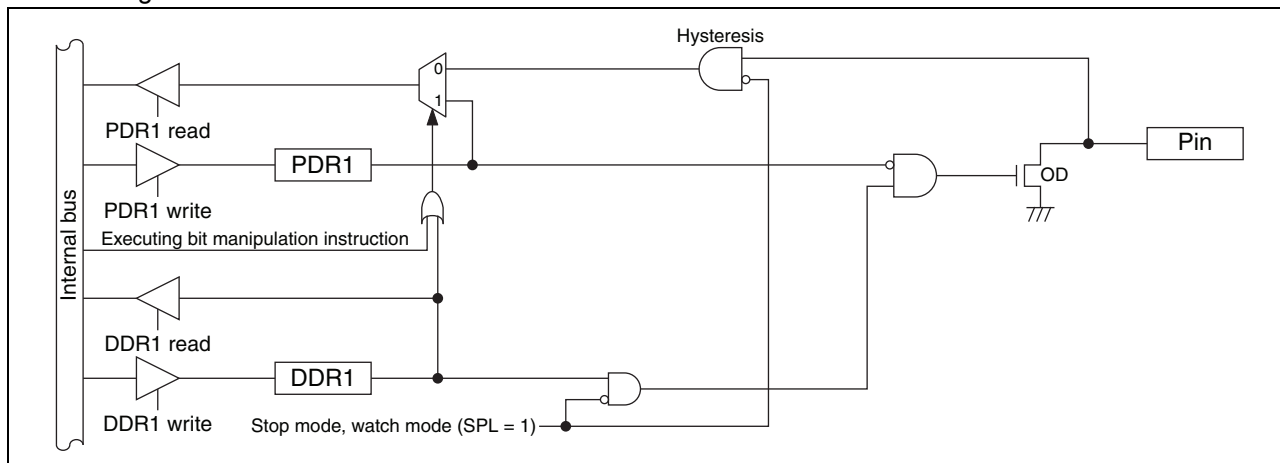


• P12/DBG pin

This pin has the following peripheral function:

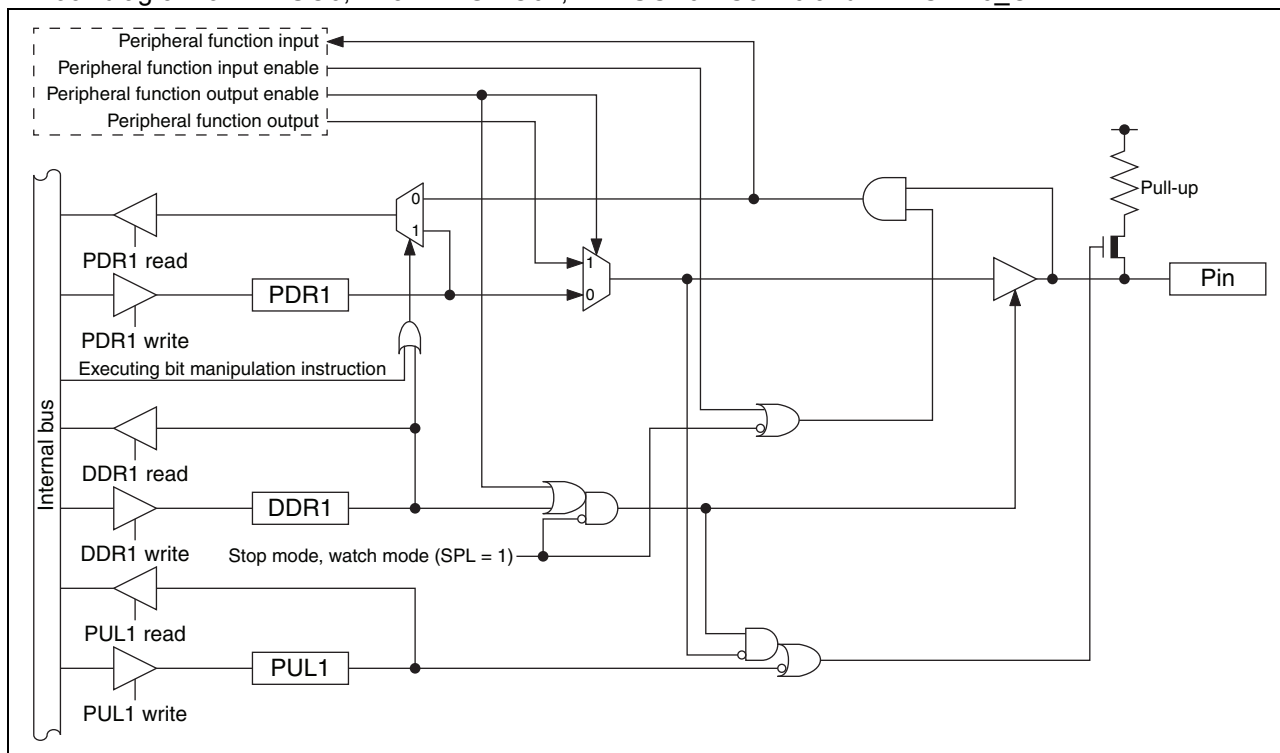
- DBG input pin (DBG)

• Block diagram of P12/DBG



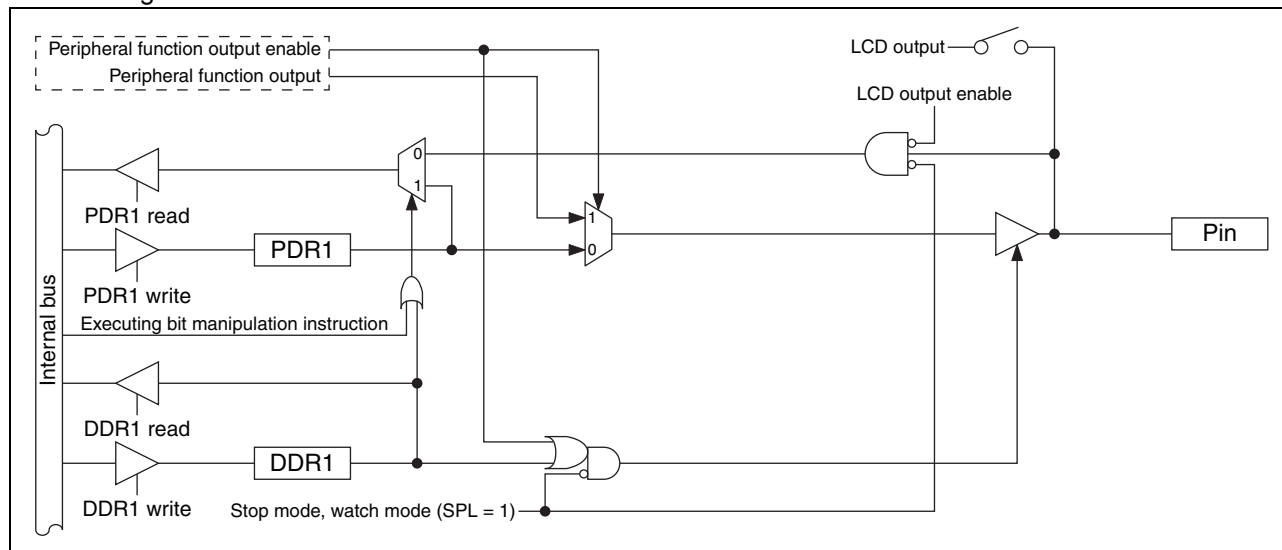
- P11/UO0 pin
  - This pin has the following peripheral function:
    - UART/SIO ch. 0 data output pin (UO0)
- P13/ADTG/TO01 pin
  - This pin has the following peripheral functions:
    - 8/12-bit A/D converter trigger input pin (ADTG)
    - 8/16-bit composite timer ch. 0 output pin (TO01)
- P14/UCK0/EC0/TI0 pin
  - This pin has the following peripheral functions:
    - UART/SIO ch. 0 clock I/O pin (UCK0)
    - 8/16-bit composite timer ch. 0 clock input pin (EC0)
    - 16-bit reload timer ch. 0 input pin (TI0)
- P17/CMP0\_O pin
  - This pin has the following peripheral function:
    - Comparator ch. 0 digital output pin (CMP0\_O)

• Block diagram of P11/UO0, P13/ADTG/TO01, P14/UCK0/EC0/TI0 and P17/CMP0\_O



- P15/SEG31/PPG11 pin  
This pin has the following peripheral functions:
  - LCD SEG31 output pin (SEG31)
  - 8/16-bit PPG ch. 1 output pin (PPG11)
- P16/SEG30/PPG10 pin  
This pin has the following peripheral functions:
  - LCD SEG30 output pin (SEG30)
  - 8/16-bit PPG ch. 1 output pin (PPG10)

• Block diagram of P15/SEG31/PPG11 and P16/SEG30/PPG10



19.2.3 Port 1 registers

- Port 1 register functions

Register abbreviation	Data	Read	Read by read-modify-write (RMW) instruction	Write
PDR1	0	Pin state is "L" level.	PDR1 value is "0".	As output port, outputs "L" level.
	1	Pin state is "H" level.	PDR1 value is "1".	As output port, outputs "H" level.*
DDR1	0	Port input enabled		
	1	Port output enabled		
PUL1	0	Pull-up disabled		
	1	Pull-up enabled		

\*: If the pin is an N-ch open drain pin, the pin state becomes Hi-Z.

- Correspondence between registers and pins for port 1

	Correspondence between related register bits and pins							
Pin name	P17	P16	P15	P14	P13	P12	P11	P10
PDR1	bit7	bit6	bit5	bit4	bit3	bit2	bit1	bit0
DDR1								
PUL1								

#### 19.2.4 Port 1 operations

- Operation as an output port
  - A pin becomes an output port if the bit in the DDR1 register corresponding to that pin is set to “1”.
  - For a pin shared with other peripheral functions, disable the output of such peripheral functions.
  - When a pin is used as an output port, it outputs the value of the PDR1 register to external pins.
  - If data is written to the PDR1 register, the value is stored in the output latch and is output to the pin set as an output port as it is.
  - Reading the PDR1 register returns the PDR1 register value.
  - To use a pin shared with the LCDC as an output port, set a corresponding function select bit in the LCDC enable register 6 (LCDCE6:SEG[31:30]) to “0” to select the general-purpose I/O port function, and then set the port input control bit in the LCDC enable register 1 (LCDCE1:PICTL) to “1”.
  
- Operation as an input port
  - A pin becomes an input port if the bit in the DDR1 register corresponding to that pin is set to “0”.
  - For a pin shared with other peripheral functions, disable the output of such peripheral functions.
  - If data is written to the PDR1 register, the value is stored in the output latch but is not output to the pin set as an input port.
  - Reading the PDR1 register returns the pin value. However, if the read-modify-write (RMW) type of instruction is used to read the PDR1 register, the PDR1 register value is returned.
  - To use a pin shared with the LCDC as an input port, set a corresponding function select bit in the LCDC enable register 6 (LCDCE6:SEG[31:30]) to “0” to select the general-purpose I/O port function, and then set the PICTL bit in the LCDCE1 register to “1”.
  
- Operation as a peripheral function output pin
  - A pin becomes a peripheral function output pin if the peripheral output function is enabled by setting the output enable bit of a peripheral function corresponding to that pin.
  - The pin value can be read from the PDR1 register even if the peripheral function output is enabled. Therefore, the output value of a peripheral function can be read by the read operation on the PDR1 register. However, if the read-modify-write (RMW) type of instruction is used to read the PDR1 register, the PDR1 register value is returned.
  
- Operation as a peripheral function input pin
  - To set a pin as an input port, set the bit in the DDR1 register corresponding to the input pin of a peripheral function to “0”.
  - Reading the PDR1 register returns the pin value, regardless of whether the peripheral function uses that pin as its input pin. However, if the read-modify-write (RMW) type of instruction is used to read the PDR1 register, the PDR1 register value is returned.
  
- Operation as an LCDC segment output pin
  - Set the bit in the DDR1 register corresponding to an LCDC segment output pin to “0”.
  - To use a pin shared with a general-purpose I/O port as an LCDC segment output pin, set a corresponding function select bit in the LCDC enable register 6 (LCDCE6:SEG[31:30]) to “1” to select the LCDC segment output function, and then set the PICTL bit in the LCDCE1 register to “1”.
  
- Operation at reset
  - If the CPU is reset, all bits in the DDR1 register are initialized to “0” and port input is enabled.

- Operation in stop mode and watch mode
  - If the pin state setting bit in the standby control register (STBC:SPL) is set to “1” and the device transits to stop mode or watch mode, the pin is compulsorily made to enter the high impedance state regardless of the DDR1 register value. The input of that pin is locked to “L” level and blocked in order to prevent leaks due to input open. However, if the interrupt input of P10/UI0/TO0 and P14/UCK0/EC0/TI0 is enabled by the external interrupt control register ch. 0 (EIC00) of the external interrupt circuit and the interrupt pin selection circuit control register (WICR) of the interrupt pin selection circuit, the input is enabled and is not blocked.
  - If the pin state setting bit is “0”, the state of the port I/O or that of the peripheral function I/O remains unchanged and the output level is maintained.
- Operation of the pull-up register
  - Setting the bit in the PUL1 register to “1” makes the pull-up resistor be internally connected to the pin. When the pin output is “L” level, the pull-up resistor is disconnected regardless of the value of the PUL1 register.

### 19.3 Port 2

Port 2 is a general-purpose I/O port. This section focuses on its functions as a general-purpose I/O port. For details of peripheral functions, refer to their respective chapters in “New 8FX MB95710M/770M Series Hardware Manual”.

#### 19.3.1 Port 2 configuration

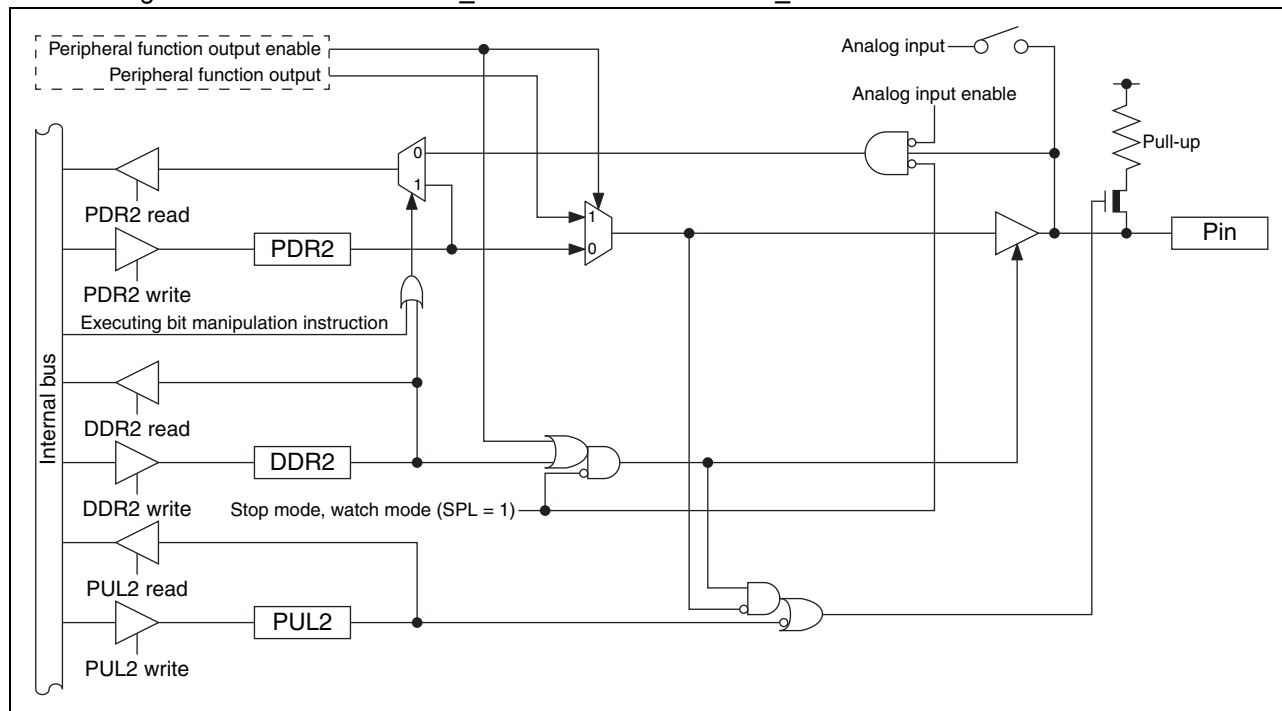
Port 2 is made up of the following elements.

- General-purpose I/O pins/peripheral function I/O pins
- Port 2 data register (PDR2)
- Port 2 direction register (DDR2)
- Port 2 pull-up register (PUL2)

#### 19.3.2 Block diagrams of port 2

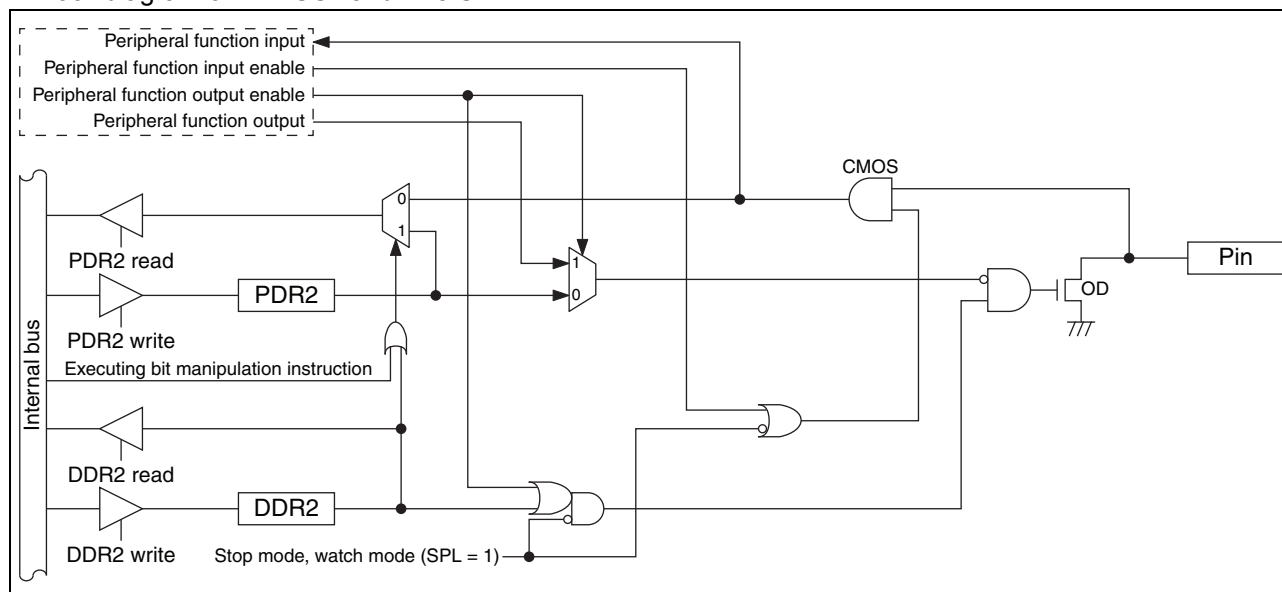
- P20/PPG00/CMP0\_N pin
  - This pin has the following peripheral functions:
    - 8/16-bit PPG ch. 0 output pin (PPG00)
    - Comparator ch. 0 inverting analog input (negative input) pin (CMP0\_N)
- P21/PPG01/CMP0\_P pin
  - This pin has the following peripheral functions:
    - 8/16-bit PPG ch. 0 output pin (PPG01)
    - Comparator ch. 0 non-inverting analog input (positive input) pin (CMP0\_P)

- Block diagram of P20/PPG00/CMP0\_N and P21/PPG01/CMP0\_P



- P22/SCL pin  
This pin has the following peripheral function:
  - I<sup>2</sup>C bus interface ch. 0 clock I/O pin (SCL)
- P23/SDA pin  
This pin has the following peripheral function:
  - I<sup>2</sup>C bus interface ch. 0 data I/O pin (SDA)

- Block diagram of P22/SCL and P23/SDA



### 19.3.3 Port 2 registers

- Port 2 register functions

Register abbreviation	Data	Read	Read by read-modify-write (RMW) instruction	Write
PDR2	0	Pin state is “L” level.	PDR2 value is “0”.	As output port, outputs “L” level.
	1	Pin state is “H” level.	PDR2 value is “1”.	As output port, outputs “H” level.*
DDR2	0	Port input enabled		
	1	Port output enabled		
PUL2	0	Pull-up disabled		
	1	Pull-up enabled		

\*: If the pin is an N-ch open drain pin, the pin state becomes Hi-Z.

- Correspondence between registers and pins for port 2

Pin name	Correspondence between related register bits and pins							
	-	-	-	-	P23	P22	P21	P20
PDR2	-	-	-	-	bit3	bit2	bit1	bit0
DDR2	-	-	-	-	-	-		
PUL2	-	-	-	-	-	-	-	-

### 19.3.4 Port 2 operations

- Operation as an output port
  - A pin becomes an output port if the bit in the DDR2 register corresponding to that pin is set to “1”.
  - For a pin shared with other peripheral functions, disable the output of such peripheral functions.
  - When a pin is used as an output port, it outputs the value of the PDR2 register to external pins.
  - If data is written to the PDR2 register, the value is stored in the output latch and is output to the pin set as an output port as it is.
  - Reading the PDR2 register returns the PDR2 register value.
- Operation as an input port
  - A pin becomes an input port if the bit in the DDR2 register corresponding to that pin is set to “0”.
  - For a pin shared with other peripheral functions, disable the output of such peripheral functions.
  - If data is written to the PDR2 register, the value is stored in the output latch but is not output to the pin set as an input port.
  - Reading the PDR2 register returns the pin value. However, if the read-modify-write (RMW) type of instruction is used to read the PDR2 register, the PDR2 register value is returned.
- Operation as a peripheral function output pin
  - A pin becomes a peripheral function output pin if the peripheral output function is enabled by setting the output enable bit of a peripheral function corresponding to that pin.
  - The pin value can be read from the PDR2 register even if the peripheral function output is enabled. Therefore, the output value of a peripheral function can be read by the read operation on the PDR2 register. However, if the read-modify-write (RMW) type of instruction is used to read the PDR2 register, the PDR2 register value is returned.
- Operation as a peripheral function input pin
  - To set a pin as an input port, set the bit in the DDR2 register corresponding to the input pin of a peripheral function to “0”.

- Reading the PDR2 register returns the pin value, regardless of whether the peripheral function uses that pin as its input pin. However, if the read-modify-write (RMW) type of instruction is used to read the PDR2 register, the PDR2 register value is returned.
- Operation at reset  
If the CPU is reset, all bits in the DDR2 register are initialized to “0” and port input is enabled.
- Operation in stop mode and watch mode
  - If the pin state setting bit in the standby control register (STBC:SPL) is set to “1” and the device transits to stop mode or watch mode, the pin is compulsorily made to enter the high impedance state regardless of the DDR2 register value. The input of that pin is locked to “L” level and blocked in order to prevent leaks due to input open.
  - If the pin state setting bit is “0”, the state of the port I/O or that of the peripheral function I/O remains unchanged and the output level is maintained.
- Operation of the pull-up register  
Setting the bit in the PUL2 register to “1” makes the pull-up resistor be internally connected to the pin. When the pin output is “L” level, the pull-up resistor is disconnected regardless of the value of the PUL2 register.
- Operation as a comparator input pin
  - Regardless of the value of the PDR2 register and that of the DDR2 register, if the comparator analog input enable bit in the comparator control register ch. 0 (CMR0:VCID) is set to “0”, the comparator input function is enabled.
  - To disable the comparator input function, set the VCID bit to “1”.
  - For details of the comparator, refer to “CHAPTER 29 COMPARATOR” in “New 8FX MB95710M/770M Series Hardware Manual”.

## 19.4 Port 6

Port 6 is a general-purpose I/O port. This section focuses on its functions as a general-purpose I/O port. For details of peripheral functions, refer to their respective chapters in “New 8FX MB95710M/770M Series Hardware Manual”.

### 19.4.1 Port 6 configuration

Port 6 is made up of the following elements.

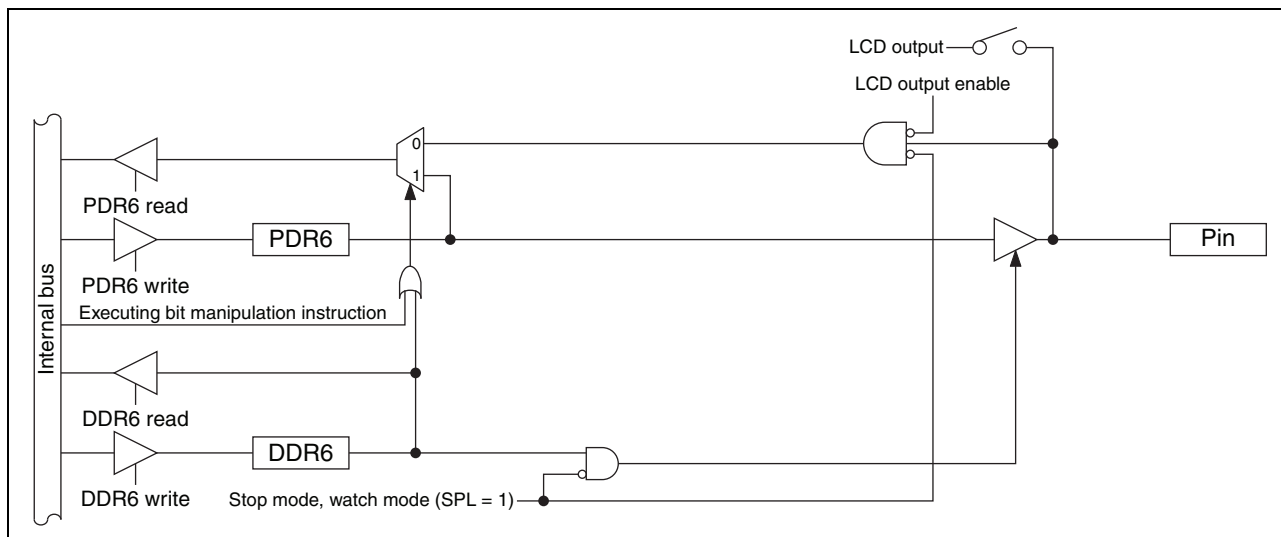
- General-purpose I/O pins/peripheral function I/O pins
- Port 6 data register (PDR6)
- Port 6 direction register (DDR6)

### 19.4.2 Block diagrams of port 6

- P60/SEG06 pin  
This pin has the following peripheral function:
  - LCDDC SEG06 output pin (SEG06)
- P61/SEG07 pin  
This pin has the following peripheral function:
  - LCDDC SEG07 output pin (SEG07)
- P62/SEG08 pin  
This pin has the following peripheral function:
  - LCDDC SEG08 output pin (SEG08)
- P63/SEG09 pin  
This pin has the following peripheral function:
  - LCDDC SEG09 output pin (SEG09)



- P64/SEG10 pin  
This pin has the following peripheral function:
  - LCDC SEG10 output pin (SEG10)
- P65/SEG11 pin  
This pin has the following peripheral function:
  - LCDC SEG11 output pin (SEG11)
- P66/SEG12 pin  
This pin has the following peripheral function:
  - LCDC SEG12 output pin (SEG12)
- P67/SEG13 pin  
This pin has the following peripheral function:
  - LCDC SEG13 output pin (SEG13)
- Block diagram of P60/SEG06, P61/SEG07, P62/SEG08, P63/SEG09, P64/SEG10, P65/SEG11, P66/SEG12 and P67/SEG13



19.4.3 Port 6 registers  
• Port 6 register functions

Register abbreviation	Data	Read	Read by read-modify-write (RMW) instruction	Write
PDR6	0	Pin state is "L" level.	PDR6 value is "0".	As output port, outputs "L" level.
	1	Pin state is "H" level.	PDR6 value is "1".	As output port, outputs "H" level.
DDR6	0	Port input enabled		
	1	Port output enabled		

- Correspondence between registers and pins for port 6

Correspondence between related register bits and pins								
Pin name	P67	P66	P65	P64	P63	P62	P61	P60
PDR6	bit7	bit6	bit5	bit4	bit3	bit2	bit1	bit0
DDR6								

#### 19.4.4 Port 6 operations

- Operation as an output port
  - A pin becomes an output port if the bit in the DDR6 register corresponding to that pin is set to “1”.
  - For a pin shared with other peripheral functions, disable the output of such peripheral functions.
  - When a pin is used as an output port, it outputs the value of the PDR6 register to external pins.
  - If data is written to the PDR6 register, the value is stored in the output latch and is output to the pin set as an output port as it is.
  - Reading the PDR6 register returns the PDR6 register value.
  - To use a pin shared with the LCDDC as an output port, set a corresponding function select bit in the LCDDC enable register 3 (LCDCE3:SEG[07:06]) or in the LCDDC enable register 4 (LCDCE4:SEG[13:08]) to “0” to select the general-purpose I/O port function, and then set the port input control bit in the LCDDC enable register 1 (LCDCE1:PICTL) to “1”.
  
- Operation as an input port
  - A pin becomes an input port if the bit in the DDR6 register corresponding to that pin is set to “0”.
  - For a pin shared with other peripheral functions, disable the output of such peripheral functions.
  - If data is written to the PDR6 register, the value is stored in the output latch but is not output to the pin set as an input port.
  - Reading the PDR6 register returns the pin value. However, if the read-modify-write (RMW) type of instruction is used to read the PDR6 register, the PDR6 register value is returned.
  - To use a pin shared with the LCDDC as an input port, set a corresponding function select bit in the LCDDC enable register 3 (LCDCE3:SEG[07:06]) or in the LCDDC enable register 4 (LCDCE4:SEG[13:08]) to “0” to select the general-purpose I/O port function, and then set the PICTL bit in the LCDCE1 register to “1”.
  
- Operation as an LCDDC segment output pin
  - Set the bit in the DDR6 register corresponding to an LCDDC segment output pin to “0”.
  - To use a pin shared with a general-purpose I/O port as an LCDDC segment output pin, set a corresponding function select bit in the LCDDC enable register 3 (LCDCE3:SEG[07:06]) or in the LCDDC enable register 4 (LCDCE4:SEG[13:08]) to “1” to select the LCDDC segment output function, and then set the PICTL bit in the LCDCE1 register to “1”.
  
- Operation at reset

If the CPU is reset, all bits in the DDR6 register are initialized to “0” and port input is enabled.
  
- Operation in stop mode and watch mode
  - If the pin state setting bit in the standby control register (STBC:SPL) is set to “1” and the device transits to stop mode or watch mode, the pin is compulsorily made to enter the high impedance state regardless of the DDR6 register value. The input of that pin is locked to “L” level and blocked in order to prevent leaks due to input open.
  - If the pin state setting bit is “0”, the state of the port I/O or that of the peripheral function I/O remains unchanged and the output level is maintained.

### 19.5 Port 9

Port 9 is a general-purpose I/O port. This section focuses on its functions as a general-purpose I/O port. For details of peripheral functions, refer to their respective chapters in “New 8FX MB95710M/770M Series Hardware Manual”.

#### 19.5.1 Port 9 configuration

Port 9 is made up of the following elements.

- General-purpose I/O pins/peripheral function I/O pins
- Port 9 data register (PDR9)
- Port 9 direction register (DDR9)

#### 19.5.2 Block diagrams of port 9

- P90/V4 pin

This pin has the following peripheral function:

- LCD drive power supply pin (V4)

- P91/V3 pin

This pin has the following peripheral function:

- LCD drive power supply pin (V3)

- P92/V2 pin

This pin has the following peripheral function:

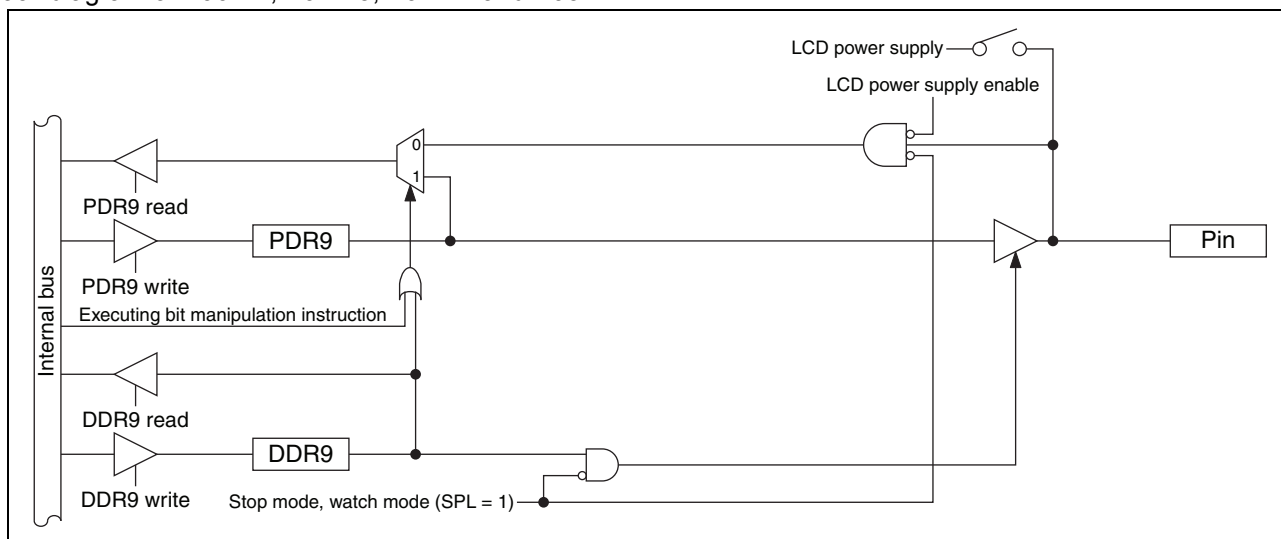
- LCD drive power supply pin (V2)

- P93/V1 pin

This pin has the following peripheral function:

- LCD drive power supply pin (V1)

- Block diagram of P90/V4, P91/V3, P92/V2 and P93/V1



### 19.5.3 Port 9 registers

- Port 9 register functions

Register abbreviation	Data	Read	Read by read-modify-write (RMW) instruction	Write
PDR9	0	Pin state is “L” level.	PDR9 value is “0”.	As output port, outputs “L” level.
	1	Pin state is “H” level.	PDR9 value is “1”.	As output port, outputs “H” level.
DDR9	0	Port input enabled		
	1	Port output enabled		

- Correspondence between registers and pins for port 9

	Correspondence between related register bits and pins							
Pin name	-	-	-	-	P93	P92	P91	P90
PDR9	-	-	-	-	bit3	bit2	bit1	bit0
DDR9	-	-	-	-				

### 19.5.4 Port 9 operations

- Operation as an output port
  - A pin becomes an output port if the bit in the DDR9 register corresponding to that pin is set to “1”.
  - When a pin is used as an output port, it outputs the value of the PDR9 register to external pins.
  - If data is written to the PDR9 register, the value is stored in the output latch and is output to the pin set as an output port as it is.
  - Reading the PDR9 register returns the PDR9 register value.
  - To use a pin shared with the LCDC as an output port, set the bit corresponding to that pin in the VE[4:1] bits in the LCDC enable register 1 (LCDCE1) to “0” to select the general-purpose I/O port function.
- Operation as an input port
  - A pin becomes an input port if the bit in the DDR9 register corresponding to that pin is set to “0”.
  - If data is written to the PDR9 register, the value is stored in the output latch but is not output to the pin set as an input port.
  - Reading the PDR9 register returns the pin value. However, if the read-modify-write (RMW) type of instruction is used to read the PDR9 register, the PDR9 register value is returned.
  - To use a pin shared with the LCDC as an input port, set the bit corresponding to that pin in the VE[4:1] bits in the LCDCE1 register to “0” to select the general-purpose I/O port function.
- Operation at reset
  - If the CPU is reset, all bits in the DDR9 register are initialized to “0” and port input is enabled.
- Operation in stop mode and watch mode
  - If the pin state setting bit in the standby control register (STBC:SPL) is set to “1” and the device transits to stop mode or watch mode, the pin is compulsorily made to enter the high impedance state regardless of the DDR9 register value. The input of that pin is locked to “L” level and blocked in order to prevent leaks due to input open.
  - If the pin state setting bit is “0”, the state of the port I/O or that of the peripheral function I/O remains unchanged and the output level is maintained.
- Operation as an LCD drive power supply pin
  - Set the bit in the DDR9 register corresponding to an LCD drive power supply pin to “0”.
  - To use a pin shared with a general-purpose I/O port as an LCD drive power supply pin, set the bit corresponding to that pin in the VE[4:1] bits in the LCDCE1 register to “1” to select the LCD drive power supply function.

## 19.6 Port A

Port A is a general-purpose I/O port. This section focuses on its functions as a general-purpose I/O port. For details of peripheral functions, refer to their respective chapters in “New 8FX MB95710M/770M Series Hardware Manual”.

### 19.6.1 Port A configuration

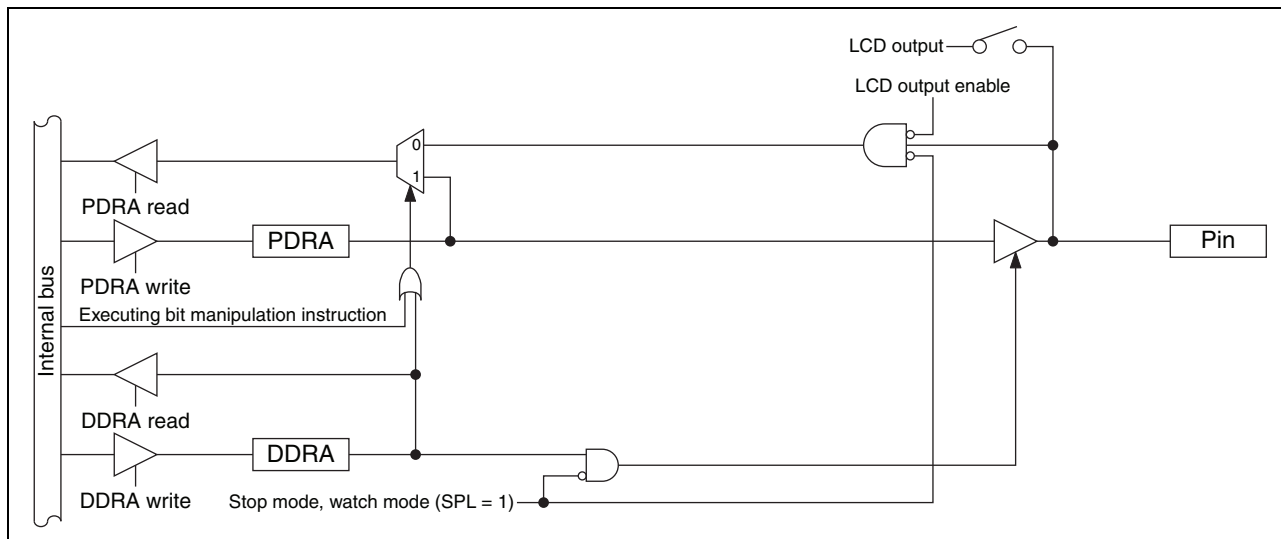
Port A is made up of the following elements.

- General-purpose I/O pins/peripheral function I/O pins
- Port A data register (PDRA)
- Port A direction register (DDRA)

### 19.6.2 Block diagrams of port A

- PA0/COM0 pin  
This pin has the following peripheral function:
  - LCDC COM0 output pin (COM0)
- PA1/COM1 pin  
This pin has the following peripheral function:
  - LCDC COM1 output pin (COM1)
- PA2/COM2 pin  
This pin has the following peripheral function:
  - LCDC COM2 output pin (COM2)
- PA3/COM3 pin  
This pin has the following peripheral function:
  - LCDC COM3 output pin (COM3)
- PA4/COM4 pin  
This pin has the following peripheral function:
  - LCDC COM4 output pin (COM4)
- PA5/COM5 pin  
This pin has the following peripheral function:
  - LCDC COM5 output pin (COM5)
- PA6/COM6 pin  
This pin has the following peripheral function:
  - LCDC COM6 output pin (COM6)
- PA7/COM7 pin  
This pin has the following peripheral function:
  - LCDC COM7 output pin (COM7)

- Block diagram of PA0/COM0, PA1/COM1, PA2/COM2, PA3/COM3, PA4/COM4, PA5/COM5, PA6/COM6 and PA7/COM7



### 19.6.3 Port A registers

- Port A register functions

Register abbreviation	Data	Read	Read by read-modify-write (RMW) instruction	Write
PDRA	0	Pin state is "L" level.	PDRA value is "0".	As output port, outputs "L" level.
	1	Pin state is "H" level.	PDRA value is "1".	As output port, outputs "H" level.
DDRA	0	Port input enabled		
	1	Port output enabled		

- Correspondence between registers and pins for port A

	Correspondence between related register bits and pins							
Pin name	PA7	PA6	PA5	PA4	PA3	PA2	PA1	PA0
PDRA	bit7	bit6	bit5	bit4	bit3	bit2	bit1	bit0
DDRA								

#### 19.6.4 Port A operations

- Operation as an output port
  - A pin becomes an output port if the bit in the DDRA register corresponding to that pin is set to “1”.
  - For a pin shared with other peripheral functions, disable the output of such peripheral functions.
  - When a pin is used as an output port, it outputs the value of the PDRA register to external pins.
  - If data is written to the PDRA register, the value is stored in the output latch and is output to the pin set as an output port as it is.
  - Reading the PDRA register returns the PDRA register value.
  - To use a pin shared with the LCDC as an output port, set a corresponding function select bit in the LCDC enable register 2 (LCDCE2:COM[7:0]) to “0” to select the general-purpose I/O port function, and then set the port input control bit in the LCDC enable register 1 (LCDCE1:PICTL) to “1”.
  
- Operation as an input port
  - A pin becomes an input port if the bit in the DDRA register corresponding to that pin is set to “0”.
  - For a pin shared with other peripheral functions, disable the output of such peripheral functions.
  - If data is written to the PDRA register, the value is stored in the output latch but is not output to the pin set as an input port.
  - Reading the PDRA register returns the pin value. However, if the read-modify-write (RMW) type of instruction is used to read the PDRA register, the PDRA register value is returned.
  - To use a pin shared with the LCDC as an input port, set a corresponding function select bit in the LCDC enable register 2 (LCDCE2:COM[7:0]) to “0” to select the general-purpose I/O port function, and then set the PICTL bit in the LCDCE1 register to “1”.
  
- Operation as an LCDC common output pin
  - Set the bit in the DDRA register corresponding to an LCDC common output pin to “0”.
  - To use a pin shared with a general-purpose I/O port as an LCDC common output pin, set a corresponding function select bit in the LCDC enable register 2 (LCDCE2:COM[7:0]) to “1” to select the LCDC common output function, and then set the PICTL bit in the LCDCE1 register to “1”.
  
- Operation at reset

If the CPU is reset, all bits in the DDRA register are initialized to “0” and port input is enabled.
  
- Operation in stop mode and watch mode
  - If the pin state setting bit in the standby control register (STBC:SPL) is set to “1” and the device transits to stop mode or watch mode, the pin is compulsorily made to enter the high impedance state regardless of the DDRA register value. The input of that pin is locked to “L” level and blocked in order to prevent leaks due to input open.
  - If the pin state setting bit is “0”, the state of the port I/O or that of the peripheral function I/O remains unchanged and the output level is maintained.

### 19.7 Port B

Port B is a general-purpose I/O port. This section focuses on its functions as a general-purpose I/O port. For details of peripheral functions, refer to their respective chapters in “New 8FX MB95710M/770M Series Hardware Manual”.

#### 19.7.1 Port B configuration

Port B is made up of the following elements.

- General-purpose I/O pins/peripheral function I/O pins
- Port B data register (PDRB)
- Port B direction register (DDRB)

#### 19.7.2 Block diagrams of port B

- PB0/SEG00 pin

This pin has the following peripheral function:

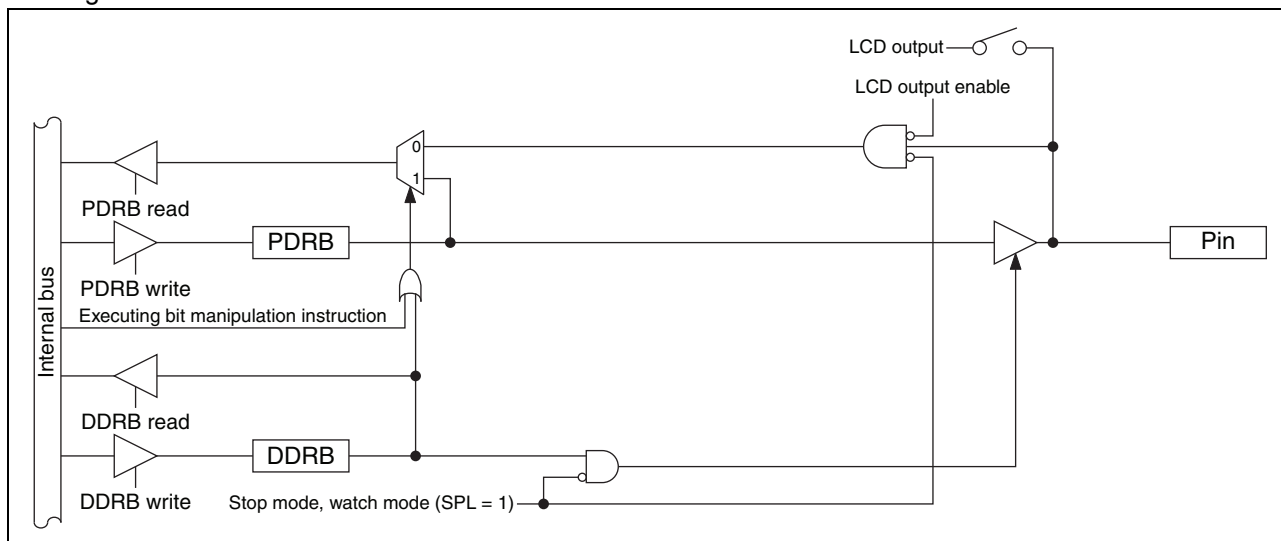
- LCDDC SEG00 output pin (SEG00)

- PB1/SEG01 pin

This pin has the following peripheral function:

- LCDDC SEG01 output pin (SEG01)

- Block diagram of PB0/SEG00 and PB1/SEG01





### 19.7.3 Port B registers

- Port B register functions

Register abbreviation	Data	Read	Read by read-modify-write (RMW) instruction	Write
PDRB	0	Pin state is “L” level.	PDRB value is “0”.	As output port, outputs “L” level.
	1	Pin state is “H” level.	PDRB value is “1”.	As output port, outputs “H” level.
DDRB	0	Port input enabled		
	1	Port output enabled		

- Correspondence between registers and pins for port B

	Correspondence between related register bits and pins								
Pin name	-	-	-	-	-	-	-	PB1	PB0
PDRB	-	-	-	-	-	-	-	bit1	bit0
DDRB	-	-	-	-	-	-	-		

### 19.7.4 Port B operations

- Operation as an output port

- A pin becomes an output port if the bit in the DDRB register corresponding to that pin is set to “1”.
- For a pin shared with other peripheral functions, disable the output of such peripheral functions.
- When a pin is used as an output port, it outputs the value of the PDRB register to external pins.
- If data is written to the PDRB register, the value is stored in the output latch and is output to the pin set as an output port as it is.
- Reading the PDRB register returns the PDRB register value.
- To use a pin shared with the LCDC as an output port, set a corresponding function select bit in the LCDC enable register 3 (LCDCE3:SEG[01:00]) to “0” to select the general-purpose I/O port function, and then set the port input control bit in the LCDC enable register 1 (LCDCE1:PICTL) to “1”.

- Operation as an input port

- A pin becomes an input port if the bit in the DDRB register corresponding to that pin is set to “0”.
- For a pin shared with other peripheral functions, disable the output of such peripheral functions.
- If data is written to the PDRB register, the value is stored in the output latch but is not output to the pin set as an input port.
- Reading the PDRB register returns the pin value. However, if the read-modify-write (RMW) type of instruction is used to read the PDRB register, the PDRB register value is returned.
- To use a pin shared with the LCDC as an input port, set a corresponding function select bit in the LCDC enable register 3 (LCDCE3:SEG[01:00]) to “0” to select the general-purpose I/O port function, and then set the PICTL bit in the LCDCE1 register to “1”.

- Operation as an LCDC segment output pin

- Set the bit in the DDRB register corresponding to an LCDC segment output pin to “0”.
- To use a pin shared with a general-purpose I/O port as an LCDC segment output pin, set a corresponding function select bit in the LCDC enable register 3 (LCDCE3:SEG[01:00]) to “1” to select the LCDC segment output function, and then set the PICTL bit in the LCDCE1 register to “1”.

- Operation at reset

If the CPU is reset, all bits in the DDRB register are initialized to “0” and port input is enabled.

- Operation in stop mode and watch mode
  - If the pin state setting bit in the standby control register (STBC:SPL) is set to “1” and the device transits to stop mode or watch mode, the pin is compulsorily made to enter the high impedance state regardless of the DDRB register value. The input of that pin is locked to “L” level and blocked in order to prevent leaks due to input open.
  - If the pin state setting bit is “0”, the state of the port I/O or that of the peripheral function I/O remains unchanged and the output level is maintained.

## 19.8 Port C

Port C is a general-purpose I/O port. This section focuses on its functions as a general-purpose I/O port. For details of peripheral functions, refer to their respective chapters in “New 8FX MB95710M/770M Series Hardware Manual”.

### 19.8.1 Port C configuration

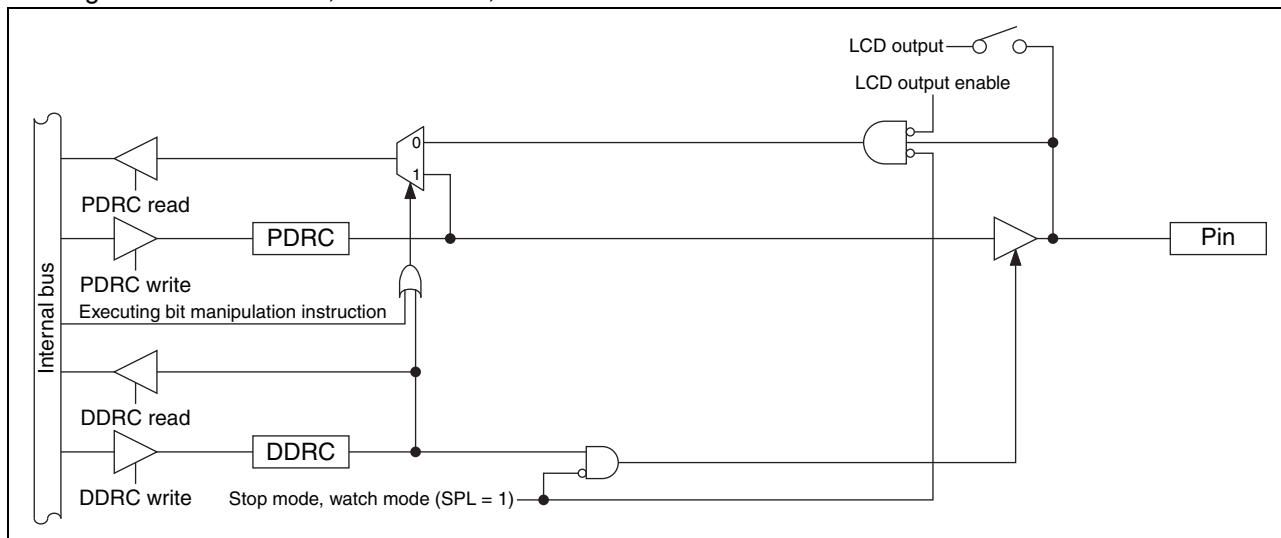
Port C is made up of the following elements.

- General-purpose I/O pins/peripheral function I/O pins
- Port C data register (PDRC)
- Port C direction register (DDRC)

### 19.8.2 Block diagrams of port C

- PC0/SEG02 pin
  - This pin has the following peripheral function:
    - LCDC SEG02 output pin (SEG02)
- PC1/SEG03 pin
  - This pin has the following peripheral function:
    - LCDC SEG03 output pin (SEG03)
- PC2/SEG04 pin
  - This pin has the following peripheral function:
    - LCDC SEG04 output pin (SEG04)
- PC3/SEG05 pin
  - This pin has the following peripheral function:
    - LCDC SEG05 output pin (SEG05)

- Block diagram of PC0/SEG02, PC1/SEG03, PC2/SEG04 and PC3/SEG05



### 19.8.3 Port C registers

- Port C register functions

Register abbreviation	Data	Read	Read by read-modify-write (RMW) instruction	Write
PDRC	0	Pin state is "L" level.	PDRC value is "0".	As output port, outputs "L" level.
	1	Pin state is "H" level.	PDRC value is "1".	As output port, outputs "H" level.
DDRC	0	Port input enabled		
	1	Port output enabled		

- Correspondence between registers and pins for port C

Correspondence between related register bits and pins								
Pin name	-	-	-	-	PC3	PC2	PC1	PC0
PDRC	-	-	-	-	bit3	bit2	bit1	bit0
DDRC	-	-	-	-				

#### 19.8.4 Port C operations

- Operation as an output port
  - A pin becomes an output port if the bit in the DDRC register corresponding to that pin is set to “1”.
  - For a pin shared with other peripheral functions, disable the output of such peripheral functions.
  - When a pin is used as an output port, it outputs the value of the PDRC register to external pins.
  - If data is written to the PDRC register, the value is stored in the output latch and is output to the pin set as an output port as it is.
  - Reading the PDRC register returns the PDRC register value.
  - To use a pin shared with the LCDC as an output port, set a corresponding function select bit in the LCDC enable register 3 (LCDCE3:SEG[05:02]) to “0” to select the general-purpose I/O port function, and then set the port input control bit in the LCDC enable register 1 (LCDCE1:PICTL) to “1”.
  
- Operation as an input port
  - A pin becomes an input port if the bit in the DDRC register corresponding to that pin is set to “0”.
  - For a pin shared with other peripheral functions, disable the output of such peripheral functions.
  - If data is written to the PDRC register, the value is stored in the output latch but is not output to the pin set as an input port.
  - Reading the PDRC register returns the pin value. However, if the read-modify-write (RMW) type of instruction is used to read the PDRC register, the PDRC register value is returned.
  - To use a pin shared with the LCDC as an input port, set a corresponding function select bit in the LCDC enable register 3 (LCDCE3:SEG[05:02]) to “0” to select the general-purpose I/O port function, and then set the PICTL bit in the LCDCE1 register to “1”.
  
- Operation as an LCDC segment output pin
  - Set the bit in the DDRC register corresponding to an LCDC segment output pin to “0”.
  - To use a pin shared with a general-purpose I/O port as an LCDC segment output pin, set a corresponding function select bit in the LCDC enable register 3 (LCDCE3:SEG[05:02]) to “1” to select the LCDC segment output function, and then set the PICTL bit in the LCDCE1 register to “1”.
  
- Operation at reset

If the CPU is reset, all bits in the DDRC register are initialized to “0” and port input is enabled.
  
- Operation in stop mode and watch mode
  - If the pin state setting bit in the standby control register (STBC:SPL) is set to “1” and the device transits to stop mode or watch mode, the pin is compulsorily made to enter the high impedance state regardless of the DDRC register value. The input of that pin is locked to “L” level and blocked in order to prevent leaks due to input open.
  - If the pin state setting bit is “0”, the state of the port I/O or that of the peripheral function I/O remains unchanged and the output level is maintained.

### 19.9 Port E

Port E is a general-purpose I/O port. This section focuses on its functions as a general-purpose I/O port. For details of peripheral functions, refer to their respective chapters in “New 8FX MB95710M/770M Series Hardware Manual”.

#### 19.9.1 Port E configuration

Port E is made up of the following elements.

- General-purpose I/O pins/peripheral function I/O pins
- Port E data register (PDRE)
- Port E direction register (DDRE)

#### 19.9.2 Block diagrams of port E

- PE0/SEG14 pin

This pin has the following peripheral function:

- LCDDC SEG14 output pin (SEG14)

- PE1/SEG15 pin

This pin has the following peripheral function:

- LCDDC SEG15 output pin (SEG15)

- PE2/SEG16 pin

This pin has the following peripheral function:

- LCDDC SEG16 output pin (SEG16)

- PE3/SEG17 pin

This pin has the following peripheral function:

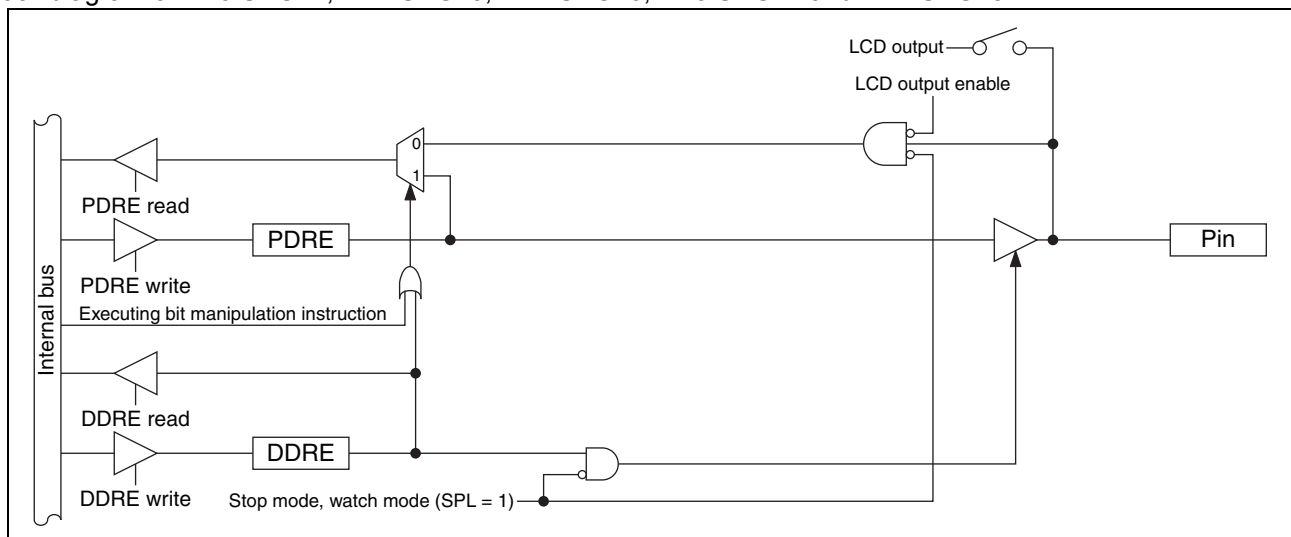
- LCDDC SEG17 output pin (SEG17)

- PE4/SEG18 pin

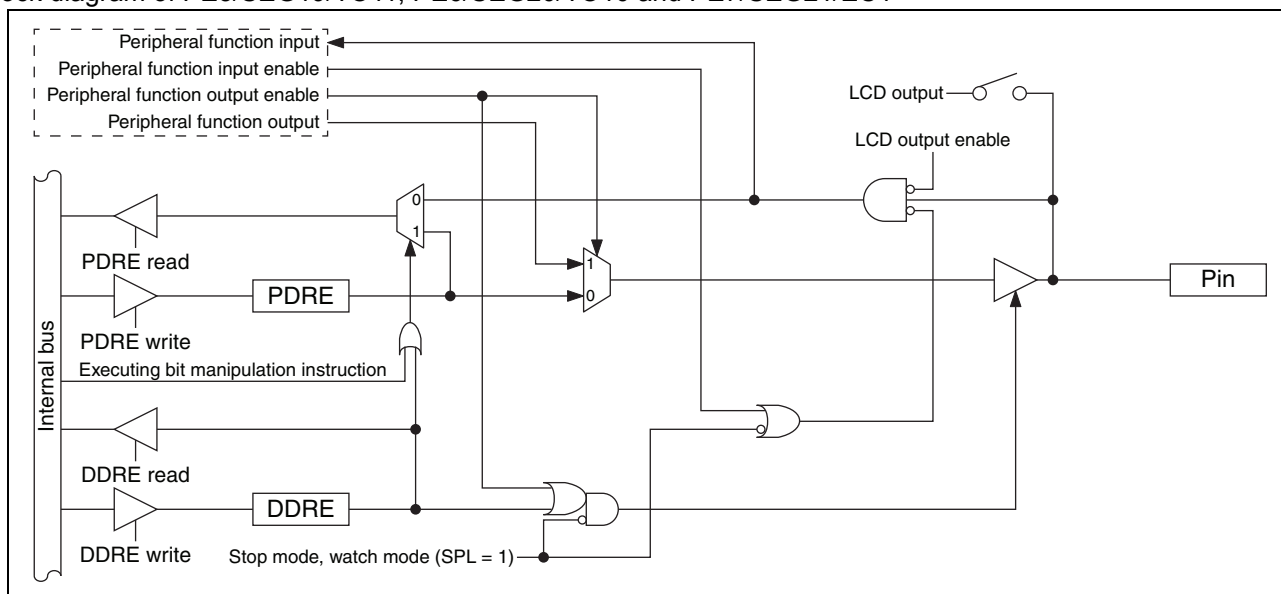
This pin has the following peripheral function:

- LCDDC SEG18 output pin (SEG18)

- Block diagram of PE0/SEG14, PE1/SEG15, PE2/SEG16, PE3/SEG17 and PE4/SEG18



- PE5/SEG19/TO11 pin  
This pin has the following peripheral functions:
  - LCD SEG19 output pin (SEG19)
  - 8/16-bit composite timer ch. 1 output pin (TO11)
- PE6/SEG20/TO10 pin  
This pin has the following peripheral functions:
  - LCD SEG20 output pin (SEG20)
  - 8/16-bit composite timer ch. 1 output pin (TO10)
- PE7/SEG21/EC1 pin  
This pin has the following peripheral functions:
  - LCD SEG21 output pin (SEG21)
  - 8/16-bit composite timer ch. 1 clock input pin (EC1)
- Block diagram of PE5/SEG19/TO11, PE6/SEG20/TO10 and PE7/SEG21/EC1



19.9.3 Port E registers

- Port E register functions

Register abbreviation	Data	Read	Read by read-modify-write (RMW) instruction	Write
PDRE	0	Pin state is "L" level.	PDRE value is "0".	As output port, outputs "L" level.
	1	Pin state is "H" level.	PDRE value is "1".	As output port, outputs "H" level.
DDRE	0	Port input enabled		
	1	Port output enabled		

- Correspondence between registers and pins for port E

	Correspondence between related register bits and pins							
Pin name	PE7	PE6	PE5	PE4	PE3	PE2	PE1	PE0
PDRE	bit7	bit6	bit5	bit4	bit3	bit2	bit1	bit0
DDRE								

#### 19.9.4 Port E operations

- Operation as an output port
  - A pin becomes an output port if the bit in the DDRE register corresponding to that pin is set to “1”.
  - For a pin shared with other peripheral functions, disable the output of such peripheral functions.
  - When a pin is used as an output port, it outputs the value of the PDRE register to external pins.
  - If data is written to the PDRE register, the value is stored in the output latch and is output to the pin set as an output port as it is.
  - Reading the PDRE register returns the PDRE register value.
  - To use a pin shared with the LCDC as an output port, set a corresponding function select bit in the LCDC enable register 4 (LCDCE4:SEG[15:14]) or in the LCDC enable register 5 (LCDCE5:SEG[21:16]) to “0” to select the general-purpose I/O port function, and then set the port input control bit in the LCDC enable register 1 (LCDCE1:PICTL) to “1”.
- Operation as an input port
  - A pin becomes an input port if the bit in the DDRE register corresponding to that pin is set to “0”.
  - For a pin shared with other peripheral functions, disable the output of such peripheral functions.
  - If data is written to the PDRE register, the value is stored in the output latch but is not output to the pin set as an input port.
  - Reading the PDRE register returns the pin value. However, if the read-modify-write (RMW) type of instruction is used to read the PDRE register, the PDRE register value is returned.
  - To use a pin shared with the LCDC as an input port, set a corresponding function select bit in the LCDC enable register 4 (LCDCE4:SEG[15:14]) or in the LCDC enable register 5 (LCDCE5:SEG[21:16]) to “0” to select the general-purpose I/O port function, and then set the PICTL bit in the LCDCE1 register to “1”.
- Operation as a peripheral function output pin
  - A pin becomes a peripheral function output pin if the peripheral output function is enabled by setting the output enable bit of a peripheral function corresponding to that pin.
  - The pin value can be read from the PDRE register even if the peripheral function output is enabled. Therefore, the output value of a peripheral function can be read by the read operation on the PDRE register. However, if the read-modify-write (RMW) type of instruction is used to read the PDRE register, the PDRE register value is returned.
- Operation as a peripheral function input pin
  - To set a pin as an input port, set the bit in the DDRE register corresponding to the input pin of a peripheral function to “0”.
  - Reading the PDRE register returns the pin value, regardless of whether the peripheral function uses that pin as its input pin. However, if the read-modify-write (RMW) type of instruction is used to read the PDRE register, the PDRE register value is returned.
- Operation as an LCDC segment output pin
  - Set the bit in the DDRE register corresponding to an LCDC segment output pin to “0”.
  - To use a pin shared with a general-purpose I/O port as an LCDC segment output pin, set a corresponding function select bit in the LCDC enable register 4 (LCDCE4:SEG[15:14]) or in the LCDC enable register 5 (LCDCE5:SEG[21:16]) to “1” to select the LCDC segment output function, and then set the PICTL bit in the LCDCE1 register to “1”.
- Operation at reset
  - If the CPU is reset, all bits in the DDRE register are initialized to “0” and port input is enabled.
- Operation in stop mode and watch mode
  - If the pin state setting bit in the standby control register (STBC:SPL) is set to “1” and the device transits to stop mode or watch mode, the pin is compulsorily made to enter the high impedance state regardless of the DDRE register value. The input of that pin is locked to “L” level and blocked in order to prevent leaks due to input open.

- If the pin state setting bit is “0”, the state of the port I/O or that of the peripheral function I/O remains unchanged and the output level is maintained.

**19.10 Port F**

Port F is a general-purpose I/O port. This section focuses on its functions as a general-purpose I/O port. For details of peripheral functions, refer to their respective chapters in “New 8FX MB95710M/770M Series Hardware Manual”.

*19.10.1 Port F configuration*

Port F is made up of the following elements.

- General-purpose I/O pins/peripheral function I/O pins
- Port F data register (PDRF)
- Port F direction register (DDRF)

*19.10.2 Block diagrams of port F*

- PF0/X0 pin

This pin has the following peripheral function:

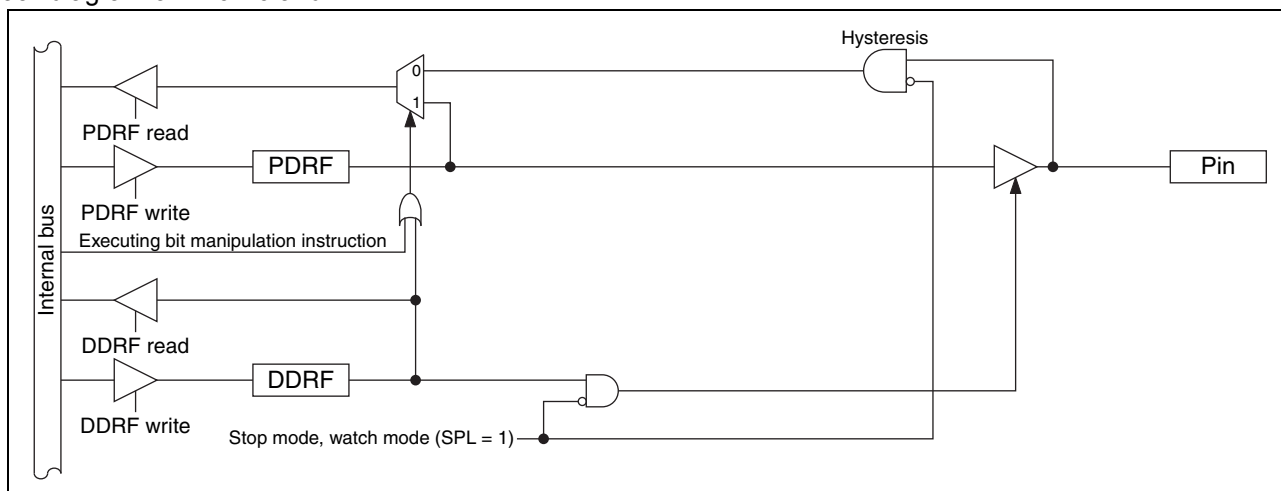
- Main clock input oscillation pin (X0)

- PF1/X1 pin

This pin has the following peripheral function:

- Main clock I/O oscillation pin (X1)

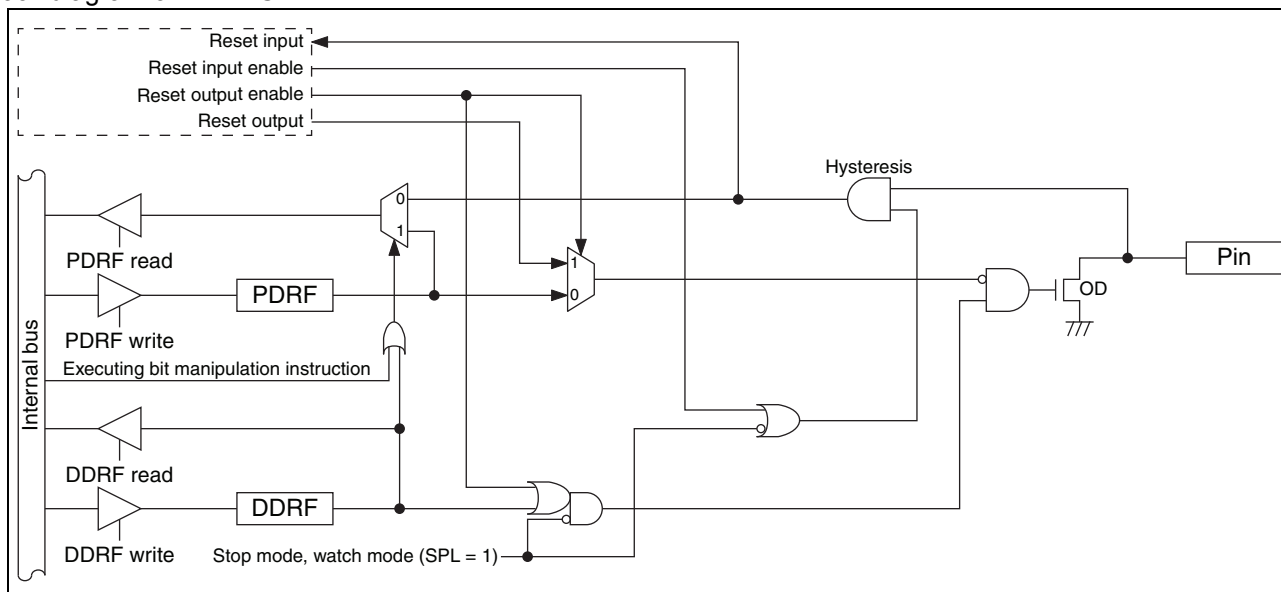
- Block diagram of PF0/X0 and PF1/X1





- PF2/ $\overline{\text{RST}}$  pin  
This pin has the following peripheral function:
  - Reset pin ( $\overline{\text{RST}}$ )

- Block diagram of PF2/ $\overline{\text{RST}}$



### 19.10.3 Port F registers

- Port F register functions

Register abbreviation	Data	Read	Read by read-modify-write (RMW) instruction	Write
PDRF	0	Pin state is "L" level.	PDRF value is "0".	As output port, outputs "L" level.
	1	Pin state is "H" level.	PDRF value is "1".	As output port, outputs "H" level.*
DDRF	0	Port input enabled		
	1	Port output enabled		

\*: If the pin is an N-ch open drain pin, the pin state becomes Hi-Z.

- Correspondence between registers and pins for port F

	Correspondence between related register bits and pins							
Pin name	-	-	-	-	-	PF2*	PF1	PF0
PDRF	-	-	-	-	-	bit2	bit1	bit0
DDRF	-	-	-	-	-			

\*: PF2/ $\overline{\text{RST}}$  is the dedicated reset pin on MB95F774M/F776M/F778M.

#### 19.10.4 Port F operations

- Operation as an output port
  - A pin becomes an output port if the bit in the DDRF register corresponding to that pin is set to “1”.
  - For a pin shared with other peripheral functions, disable the output of such peripheral functions.
  - When a pin is used as an output port, it outputs the value of the PDRF register to external pins.
  - If data is written to the PDRF register, the value is stored in the output latch and is output to the pin set as an output port as it is.
  - Reading the PDRF register returns the PDRF register value.
- Operation as an input port
  - A pin becomes an input port if the bit in the DDRF register corresponding to that pin is set to “0”.
  - For a pin shared with other peripheral functions, disable the output of such peripheral functions.
  - If data is written to the PDRF register, the value is stored in the output latch but is not output to the pin set as an input port.
  - Reading the PDRF register returns the pin value. However, if the read-modify-write (RMW) type of instruction is used to read the PDRF register, the PDRF register value is returned.
- Operation at reset

If the CPU is reset, all bits in the DDRF register are initialized to “0” and port input is enabled.
- Operation in stop mode and watch mode
  - If the pin state setting bit in the standby control register (STBC:SPL) is set to “1” and the device transits to stop mode or watch mode, the pin is compulsorily made to enter the high impedance state regardless of the DDRF register value. The input of that pin is locked to “L” level and blocked in order to prevent leaks due to input open.
  - If the pin state setting bit is “0”, the state of the port I/O or that of the peripheral function I/O remains unchanged and the output level is maintained.

### 19.11 Port G

Port G is a general-purpose I/O port. This section focuses on its functions as a general-purpose I/O port. For details of peripheral functions, refer to their respective chapters in “New 8FX MB95710M/770M Series Hardware Manual”.

#### 19.11.1 Port G configuration

Port G is made up of the following elements.

- General-purpose I/O pins/peripheral function I/O pins
- Port G data register (PDRG)
- Port G direction register (DDRG)
- Port G pull-up register (PULG)

#### 19.11.2 Block diagram of port G

- PG1/X0A pin

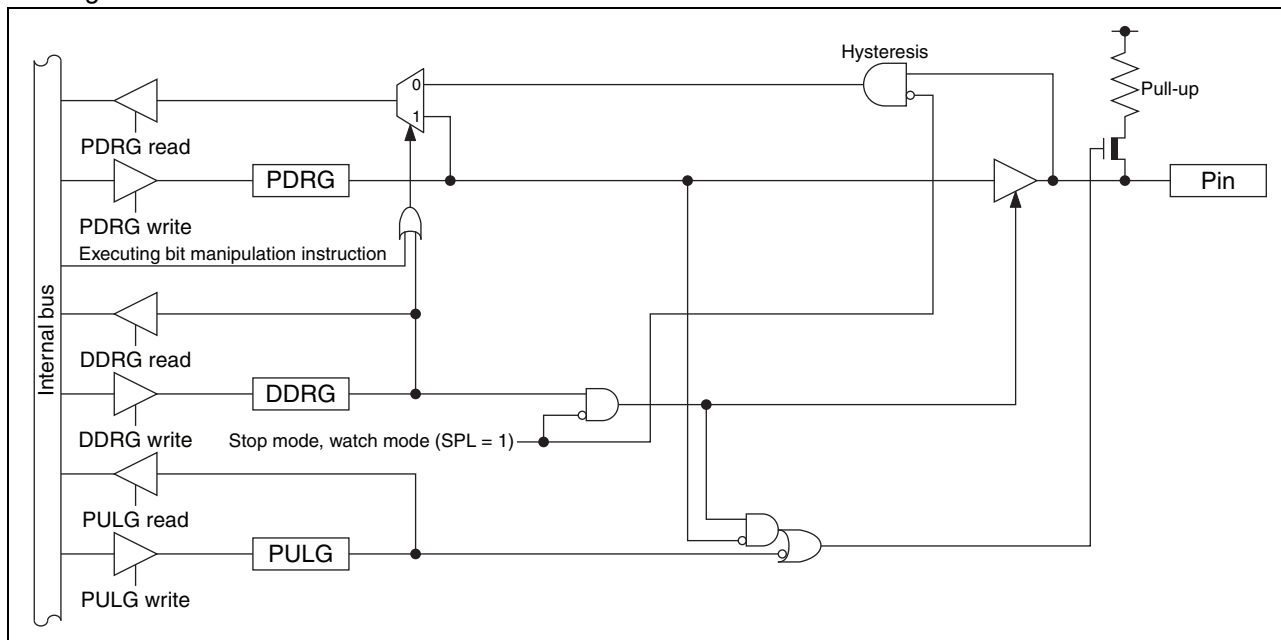
This pin has the following peripheral function:

  - Subclock input oscillation pin (X0A)
- PG2/X1A pin

This pin has the following peripheral function:

  - Subclock I/O oscillation pin (X1A)

- Block diagram of PG1/X0A and PG2/X1A



19.11.3 Port G registers

- Port G register functions

Register abbreviation	Data	Read	Read by read-modify-write (RMW) instruction	Write
PDRG	0	Pin state is "L" level.	PDRG value is "0".	As output port, outputs "L" level.
	1	Pin state is "H" level.	PDRG value is "1".	As output port, outputs "H" level.
DDRG	0	Port input enabled		
	1	Port output enabled		
PULG	0	Pull-up disabled		
	1	Pull-up enabled		

- Correspondence between registers and pins for port G

Correspondence between related register bits and pins								
Pin name	-	-	-	-	-	PG2	PG1	-
PDRG	-	-	-	-	-	bit2	bit1	-
DDRG	-	-	-	-	-	-	-	-
PULG	-	-	-	-	-	-	-	-

#### 19.11.4 Port G operations

- Operation as an output port
  - A pin becomes an output port if the bit in the DDRG register corresponding to that pin is set to “1”.
  - For a pin shared with other peripheral functions, disable the output of such peripheral functions.
  - When a pin is used as an output port, it outputs the value of the PDRG register to external pins.
  - If data is written to the PDRG register, the value is stored in the output latch and is output to the pin set as an output port as it is.
  - Reading the PDRG register returns the PDRG register value.
  
- Operation as an input port
  - A pin becomes an input port if the bit in the DDRG register corresponding to that pin is set to “0”.
  - For a pin shared with other peripheral functions, disable the output of such peripheral functions.
  - If data is written to the PDRG register, the value is stored in the output latch but is not output to the pin set as an input port.
  - Reading the PDRG register returns the pin value. However, if the read-modify-write (RMW) type of instruction is used to read the PDRG register, the PDRG register value is returned.
  
- Operation at reset

If the CPU is reset, all bits in the DDRG register are initialized to “0” and port input is enabled.
  
- Operation in stop mode and watch mode
  - If the pin state setting bit in the standby control register (STBC:SPL) is set to “1” and the device transits to stop mode or watch mode, the pin is compulsorily made to enter the high impedance state regardless of the DDRG register value. The input of that pin is locked to “L” level and blocked in order to prevent leaks due to input open.
  - If the pin state setting bit is “0”, the state of the port I/O or that of the peripheral function I/O remains unchanged and the output level is maintained.
  
- Operation of the pull-up register

Setting the bit in the PULG register to “1” makes the pull-up resistor be internally connected to the pin. When the pin output is “L” level, the pull-up resistor is disconnected regardless of the value of the PULG register.



## 21. Pin States In Each Mode

Pin name	Normal operation	Sleep mode	Stop mode		Watch mode		On reset
			SPL=0	SPL=1	SPL=0	SPL=1	
PF0/X0	Oscillation input	Oscillation input	Hi-Z	Hi-Z	Hi-Z	Hi-Z	Oscillation input*1
	I/O port*2	I/O port*2	- Previous state kept - Input blocked*2, *3	- Hi-Z - Input blocked*2, *3	- Previous state kept - Input blocked*2, *3	- Hi-Z - Input blocked*2, *3	- Hi-Z - Input enabled*4 (However, it does not function.)
PF1/X1	Oscillation input	Oscillation input	Hi-Z	Hi-Z	Hi-Z	Hi-Z	Oscillation input*1
	I/O port*2	I/O port*2	- Previous state kept - Input blocked*2, *3	- Hi-Z - Input blocked*2, *3	- Previous state kept - Input blocked*2, *3	- Hi-Z - Input blocked*2, *3	- Hi-Z - Input enabled*4 (However, it does not function.)
PF2/RST	Reset input	Reset input	Reset input	Reset input	Reset input	Reset input	Reset input*5
	I/O port*2	I/O port*2	- Previous state kept - Input blocked*2, *3	- Hi-Z - Input blocked*2, *3	- Previous state kept - Input blocked*2, *3	- Hi-Z - Input blocked*2, *3	- Hi-Z - Input enabled*4 (However, it does not function.)
PG1/X0A	Oscillation input	Oscillation input	Hi-Z	Hi-Z	Hi-Z	Hi-Z	Oscillation input*6
	I/O port*2	I/O port*2	- Previous state kept - Input blocked*2, *3	- Hi-Z*7 - Input blocked*2, *3	- Previous state kept - Input blocked*2, *3	- Hi-Z*7 - Input blocked*2, *3	- Hi-Z - Input enabled*4 (However, it does not function.)
PG2/X1A	Oscillation input	Oscillation input	Hi-Z	Hi-Z	Hi-Z	Hi-Z	Oscillation input*6
	I/O port*2	I/O port*2	- Previous state kept - Input blocked*2, *3	- Hi-Z*7 - Input blocked*2, *3	- Previous state kept - Input blocked*2, *3	- Hi-Z*7 - Input blocked*2, *3	- Hi-Z - Input enabled*4 (However, it does not function.)
P00/INT00/ AN00/ SEG29*8/ UO2	I/O port/ peripheral function I/O/ analog input	I/O port/ peripheral function I/O/ analog input	- Previous state kept - Input blocked*3, *10	- Hi-Z - Input blocked*3, *10	- Previous state kept - Input blocked*3, *10	- Hi-Z - Input blocked*3, *10	- Hi-Z - Input blocked*3
P01/INT01/ AN01/ SEG28*8/ SEG36*8/ TO00*9/UJ2							
P02/INT02/ AN02/ SEG27*8/ SEG35*8/ UCK2							
P03/INT03/ AN03/ SEG26*8/ SEG34*8/ UO1							

Pin name	Normal operation	Sleep mode	Stop mode		Watch mode		On reset
			SPL=0	SPL=1	SPL=0	SPL=1	
P04/INT04/ AN04/ SEG25*8/ SEG33*8/ UI1	I/O port/ peripheral function I/O/ analog input	I/O port/ peripheral function I/O/ analog input	- Previous state kept - Input blocked*3, *10	- Hi-Z - Input blocked*3, *10	- Previous state kept - Input blocked*3, *10	- Hi-Z - Input blocked*3, *10	- Hi-Z - Input blocked*3
P05/INT05/ AN05/ SEG24*8/ SEG32*8/ UCK1							
P06/INT06/ AN06/ SEG23*8/ SEG31*8							
P07/INT07/ AN07/ SEG22*8/ SEG30*8							
P10/UI0/ TO0*9	I/O port/ peripheral function I/O	I/O port/ peripheral function I/O	- Previous state kept - Input blocked*3	- Hi-Z*7 - Input blocked*3	- Previous state kept - Input blocked*3	- Hi-Z*7 - Input blocked*3	- Hi-Z - Input enabled*4 (However, it does not function.)
P11/UO0							
P12/DBG	I/O port/ peripheral function I/O	I/O port/ peripheral function I/O	- Previous state kept - Input blocked*3	"H"	- Previous state kept - Input blocked*3	"H"	"H"
P13/ADTG/ TO01*9	I/O port/ peripheral function I/O	I/O port/ peripheral function I/O	- Previous state kept - Input blocked*3	- Hi-Z*7 - Input blocked*3	- Previous state kept - Input blocked*3	- Hi-Z*7 - Input blocked*3	- Hi-Z - Input enabled*4 (However, it does not function.)
P14/UCK0/ ECO*9/TIO*9							
P15/ SEG31*8/ PPG11	I/O port/ peripheral function I/O	I/O port/ peripheral function I/O	- Previous state kept - Input blocked*3	- Hi-Z - Input blocked*3	- Previous state kept - Input blocked*3	- Hi-Z - Input blocked*3	- Hi-Z - Input blocked*3
P16/ SEG30*8/ PPG10							
P17/ CMP0_O	I/O port/ peripheral function I/O	I/O port/ peripheral function I/O	- Previous state kept*11 - Input blocked*3	- Hi-Z*7 - Input blocked*3	- Previous state kept*11 - Input blocked*3	- Hi-Z*7 - Input blocked*3	- Hi-Z - Input enabled*4 (However, it does not function.)
P20/ PPG00/ CMP0_N	I/O port/ peripheral function I/O/ analog input	I/O port/ peripheral function I/O/ analog input	- Previous state kept - Input blocked*3, *12	- Hi-Z*7 - Input blocked*3, *12	- Previous state kept - Input blocked*3, *12	- Hi-Z*7 - Input blocked*3, *12	- Hi-Z - Input enabled*4
P21/ PPG01/ CMP0_P							
P22/SCL	I/O port/ peripheral function I/O	I/O port/ peripheral function I/O	- Previous state kept - Input blocked*3, *13	- Hi-Z - Input blocked*3, *13	- Previous state kept - Input blocked*3, *13	- Hi-Z - Input blocked*3, *13	- Hi-Z - Input enabled*4
P23/SDA							

Pin name	Normal operation	Sleep mode	Stop mode		Watch mode		On reset
			SPL=0	SPL=1	SPL=0	SPL=1	
P40/ SEG21*14	I/O port/ peripheral function I/O	I/O port/ peripheral function I/O	- Previous state kept - Input blocked*3	- Hi-Z - Input blocked*3	- Previous state kept - Input blocked*3	- Hi-Z - Input blocked*3	- Hi-Z - Input blocked*3
P41/ SEG20*14							
P42/ SEG19*14							
P43/ SEG18*14							
P50/ TO01*14	I/O port/ peripheral function I/O	I/O port/ peripheral function I/O	- Previous state kept - Input blocked*3	- Hi-Z*7 - Input blocked*3	- Previous state kept - Input blocked*3	- Hi-Z*7 - Input blocked*3	- Hi-Z - Input enabled*4 (However, it does not function.)
P51/EC0*14							
P52/TI0/ TO00*14							
P53/TO0*14							
P60/ SEG06*8/ SEG10*8	I/O port/ peripheral function I/O	I/O port/ peripheral function I/O	- Previous state kept - Input blocked*3	- Hi-Z - Input blocked*3	- Previous state kept - Input blocked*3	- Hi-Z - Input blocked*3	- Hi-Z - Input blocked*3
P61/ SEG07*8/ SEG11*8							
P62/ SEG08*8/ SEG12*8							
P63/ SEG09*8/ SEG13*8							
P64/ SEG10*8/ SEG14*8							
P65/ SEG11*8/ SEG15*8							
P66/ SEG12*8/ SEG16*8							
P67/ SEG13*8/ SEG17*8							
P90/V4	I/O port/ peripheral function I/O	I/O port/ peripheral function I/O	- Previous state kept - Input blocked*3	- Hi-Z - Input blocked*3	- Previous state kept - Input blocked*3	- Hi-Z - Input blocked*3	- Hi-Z - Input blocked*3
P91/V3							
P92/V2							
P93/V1							
P94/V0*14							



Pin name	Normal operation	Sleep mode	Stop mode		Watch mode		On reset
			SPL=0	SPL=1	SPL=0	SPL=1	
PA0/COM0	I/O port/ peripheral function I/O	I/O port/ peripheral function I/O	- Previous state kept - Input blocked*3	- Hi-Z - Input blocked*3	- Previous state kept - Input blocked*3	- Hi-Z - Input blocked*3	- Hi-Z - Input blocked*3
PA1/COM1							
PA2/COM2							
PA3/COM3							
PA4/COM4							
PA5/COM5							
PA6/COM6							
PA7/COM7							
PB0/SEG00	I/O port/ peripheral function I/O	I/O port/ peripheral function I/O	- Previous state kept - Input blocked*3	- Hi-Z - Input blocked*3	- Previous state kept - Input blocked*3	- Hi-Z - Input blocked*3	- Hi-Z - Input blocked*3
PB1/SEG01							
PB2/ SEG37*14							
PB3/ SEG38*14							
PB4/ SEG39*14							
PC0/ SEG02	I/O port/ peripheral function I/O	I/O port/ peripheral function I/O	- Previous state kept - Input blocked*3	- Hi-Z - Input blocked*3	- Previous state kept - Input blocked*3	- Hi-Z - Input blocked*3	- Hi-Z - Input blocked*3
PC1/ SEG03							
PC2/ SEG04							
PC3/ SEG05							
PC4/ SEG06*14							
PC5/ SEG07*14							
PC6/ SEG08*14							
PC7/ SEG09*14							

Pin name	Normal operation	Sleep mode	Stop mode		Watch mode		On reset
			SPL=0	SPL=1	SPL=0	SPL=1	
PE0/ SEG14*8/ SEG22*8	I/O port/ peripheral function I/O	I/O port/ peripheral function I/O	- Previous state kept - Input blocked*3	- Hi-Z - Input blocked*3	- Previous state kept - Input blocked*3	- Hi-Z - Input blocked*3	- Hi-Z - Input blocked*3
PE1/ SEG15*8/ SEG23*8							
PE2/ SEG16*8/ SEG24*8							
PE3/ SEG17*8/ SEG25*8							
PE4/ SEG18*8/ SEG26*8							
PE5/ SEG19*8/ SEG27*8/ TO11							
PE6/ SEG20*8/ SEG28*8/ TO10							
PE7/ SEG21*8/ SEG29*8/ EC1							

SPL: Pin state setting bit in the standby control register (STBC:SPL)

Hi-Z: High impedance

- \*1: PF0/X0 and PF1/X1 transit to this state on a reset when configured as a main clock oscillation pins.
- \*2: The pin stays at the state shown when configured as a general-purpose I/O port.
- \*3: "Input blocked" means direct input gate operation from the pin is disabled.
- \*4: "Input enabled" means that the input function is enabled. While the input function is enabled, execute a pull-up operation or a pull-down operation to prevent leaks due to external input. If a pin is used as an output port, its pin state is the same as that of other ports.
- \*5: The PF2/RST pin stays at the state shown when configured as a reset pin.
- \*6: PG1/X0A and PG2/X1A transit to this state on a reset when configured as subclock oscillation pins.
- \*7: The pull-up control setting is still effective.
- \*8: The MB95710M Series and the MB95770M Series have different SEG output assignment as shown below.

SEG output	Pin on MB95710M Series	Pin on MB95770M Series
SEG06	PC4	P60
SEG07	PC5	P61
SEG08	PC6	P62
SEG09	PC7	P63
SEG10	P60	P64
SEG11	P61	P65
SEG12	P62	P66
SEG13	P63	P67
SEG14	P64	PE0
SEG15	P65	PE1
SEG16	P66	PE2

SEG output	Pin on MB95710M Series	Pin on MB95770M Series
SEG17	P67	PE3
SEG18	P43	PE4
SEG19	P42	PE5
SEG20	P41	PE6
SEG21	P40	PE7
SEG22	PE0	P07
SEG23	PE1	P06
SEG24	PE2	P05
SEG25	PE3	P04
SEG26	PE4	P03
SEG27	PE5	P02
SEG28	PE6	P01
SEG29	PE7	P00
SEG30	P07	P16
SEG31	P06	P15
SEG32	P05	—
SEG33	P04	—
SEG34	P03	—
SEG35	P02	—
SEG36	P01	—

- \*9: On the MB95770M Series, TO00 is assigned to P01, TO0 to P10, TO01 to P13, and EC0 and TI0 to P14.
- \*10: Though input is blocked, an external interrupt can be input when the external interrupt request is enabled.
- \*11: The output function of the comparator is still in operation in stop mode and watch mode.
- \*12: Though input is blocked, an analog signal can also be input to generate a comparator interrupt when the comparator interrupt is enabled.
- \*13: The I<sup>2</sup>C bus interface can wake up the MCU in stop mode or watch mode when its MCU standby mode wakeup function is enabled. For details of the MCU standby mode wakeup function, refer to “CHAPTER 23 I<sup>2</sup>C BUS INTERFACE” in “New 8FX MB95710M/770M Series Hardware Manual”.
- \*14: P40/SEG21, P41/SEG20, P42/SEG19, P43/SEG18, P50/TO01, P51/EC0, P52/TI0/TO00, P53/TO0, P94/V0, PB2/SEG37, PB3/SEG38, PB4/SEG39, PC4/SEG06, PC5/SEG07, PC6/SEG08 and PC7/SEG09 are only available on the MB95710M Series.

## 22. Electrical Characteristics

### 22.1 Absolute Maximum Ratings

Parameter	Symbol	Rating		Unit	Remarks
		Min	Max		
Power supply voltage*1	$V_{CC}$	$V_{SS} - 0.3$	$V_{SS} + 6$	V	
Input voltage*1	$V_I$	$V_{SS} - 0.3$	$V_{SS} + 6$	V	*2
Output voltage*1	$V_O$	$V_{SS} - 0.3$	$V_{SS} + 6$	V	*2
Maximum clamp current	$I_{CLAMP}$	-2	+2	mA	Applicable to specific pins*3
Total maximum clamp current	$\sum  I_{CLAMP} $	—	20	mA	Applicable to specific pins*3
“L” level maximum output current	$I_{OL}$	—	15	mA	
“L” level average current	$I_{OLAV}$	—	4	mA	Average output current = operating current $\times$ operating ratio (1 pin)
“L” level total maximum output current	$\sum I_{OL}$	—	100	mA	
“L” level total average output current	$\sum I_{OLAV}$	—	50	mA	Total average output current = operating current $\times$ operating ratio (Total number of pins)
“H” level maximum output current	$I_{OH}$	—	-15	mA	
“H” level average current	$I_{OHAV}$	—	-4	mA	Average output current = operating current $\times$ operating ratio (1 pin)
“H” level total maximum output current	$\sum I_{OH}$	—	-100	mA	
“H” level total average output current	$\sum I_{OHAV}$	—	-50	mA	Total average output current = operating current $\times$ operating ratio (Total number of pins)
Power consumption	$P_d$	—	320	mW	
Operating temperature	$T_A$	-40	+85	°C	
Storage temperature	$T_{stg}$	-55	+150	°C	

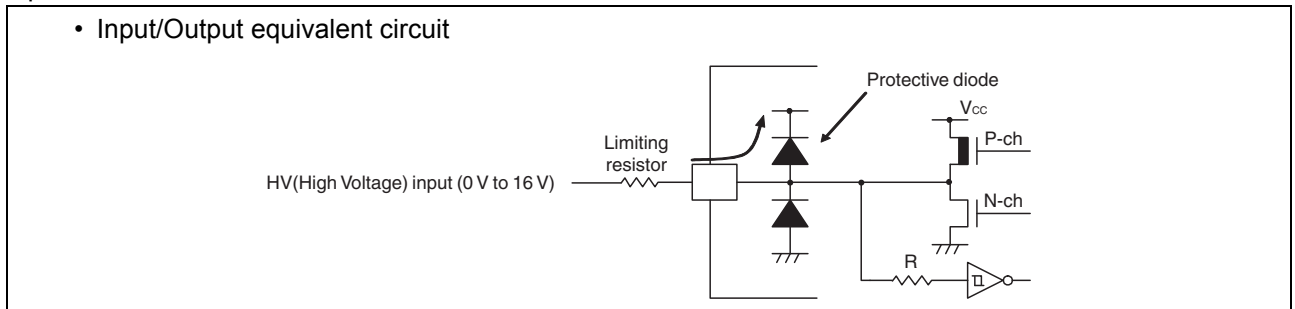
\*1: These parameters are based on the condition that  $V_{SS}$  is 0.0 V.

\*2:  $V_I$  and  $V_O$  must not exceed  $V_{CC} + 0.3$  V.  $V_I$  must not exceed the rated voltage. However, if the maximum current to/from an input is limited by means of an external component, the  $I_{CLAMP}$  rating is used instead of the  $V_I$  rating.

\*3: Specific pins: P00 to P07, P10, P11, P13 to P16, P20 to P22, P40 to P43, P50 to P53, P60 to P67, P90 to P94, PA0 to PA7, PB0 to PB4, PC0 to PC7, PE0 to PE7, PF0, PF1, PG1, PG2 (P40 to P43, P50 to P53, P94, PB2 to PB4 and PC4 to PC7 are only available on the MB95710M Series.)

- Use under recommended operating conditions.
- Use with DC voltage (current).
- The HV (High Voltage) signal is an input signal exceeding the  $V_{CC}$  voltage. Always connect a limiting resistor between the HV (High Voltage) signal and the microcontroller before applying the HV (High Voltage) signal.

- The value of the limiting resistor should be set to a value at which the current to be input to the microcontroller pin when the HV (High Voltage) signal is input is below the standard value, irrespective of whether the current is transient current or stationary current.
- When the microcontroller drive current is low, such as in low power consumption modes, the HV (High Voltage) input potential may pass through the protective diode to increase the potential of the V<sub>CC</sub> pin, affecting other devices.
- If the HV (High Voltage) signal is input when the microcontroller power supply is off (not fixed at 0 V), since power is supplied from the pins, incomplete operations may be executed.
- If the HV (High Voltage) input is input after power-on, since power is supplied from the pins, the voltage of power supply may not be sufficient to enable a power-on reset.
- Do not leave the HV (High Voltage) input pin unconnected.
- Example of a recommended circuit:



**WARNING:** Semiconductor devices may be permanently damaged by application of stress (including, without limitation, voltage, current or temperature) in excess of absolute maximum ratings. Do not exceed any of these ratings.

## 22.2 Recommended Operating Conditions

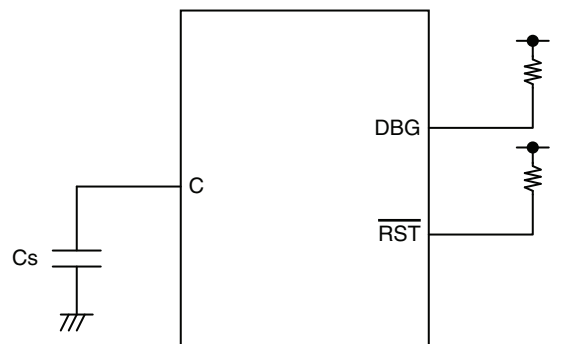
 (V<sub>SS</sub> = 0.0 V)

Parameter	Symbol	Value		Unit	Remarks
		Min	Max		
Power supply voltage	V <sub>CC</sub>	1.8* <sup>1</sup>	5.5	V	In normal operation
Decoupling capacitor	C <sub>s</sub>	0.2	10	μF	A capacitor of about 1.0 μF is recommended. * <sup>2</sup>
Operating temperature	T <sub>A</sub>	-40	+85	°C	Other than on-chip debug mode
		+5	+35		On-chip debug mode

\*1: The minimum power supply voltage becomes 2.18 V when a product with the low-voltage detection reset is used or when the on-chip debug mode is used.

\*2: Use a ceramic capacitor or a capacitor with equivalent frequency characteristics. For the connection to a decoupling capacitor C<sub>s</sub>, see the diagram below. To prevent the device from unintentionally entering an unknown mode due to noise, minimize the distance between the C pin and C<sub>s</sub> and the distance between C<sub>s</sub> and the V<sub>SS</sub> pin when designing the layout of a printed circuit board.

- DBG / RST / C pins connection diagram



- \*: Connect the DBG pin to an external pull-up resistor of 2 kΩ or above. After power-on, ensure that the DBG pin does not stay at “L” level until the reset output is released. The DBG pin becomes a communication pin in debug mode. Since the actual pull-up resistance depends on the tool used and the interconnection length, refer to the tool document when selecting a pull-up resistor.

**WARNING:** The recommended operating conditions are required in order to ensure the normal operation of the semiconductor device. All of the device's electrical characteristics are warranted when the device is operated under these conditions.

Any use of semiconductor devices will be under their recommended operating condition.

Operation under any conditions other than these conditions may adversely affect reliability of device and could result in device failure.

No warranty is made with respect to any use, operating conditions or combinations not represented on this data sheet. If you are considering application under any conditions other than listed herein, please contact sales representatives beforehand.

**22.3 DC Characteristics**
 $(V_{CC} = 3.0 V \pm 10\%, V_{SS} = 0.0 V, T_A = -40\text{ }^\circ\text{C to } +85\text{ }^\circ\text{C})$ 

Parameter	Symbol	Pin name	Condition	Value			Unit	Remarks
				Min	Typ	Max		
"H" level input voltage	$V_{IH1}$	P01, P04, P10, P22, P23	*1	$0.7 V_{CC}$	—	$V_{CC} + 0.3$	V	
	$V_{IH5}$	P00 to P07, P10 to P17, P20 to P23, P40 to P43* <sup>2</sup> , P50 to P53* <sup>2</sup> , P60 to P67, P90 to P93, P94* <sup>2</sup> , PA0 to PA7, PB0, PB1, PB2 to PB4* <sup>2</sup> , PC0 to PC3, PC4 to PC7* <sup>2</sup> , PE0 to PE7, PF0, PF1, PG1, PG2	*1	$0.8 V_{CC}$	—	$V_{CC} + 0.3$	V	Hysteresis input
	$V_{IH6}$	PF2	—	$0.7 V_{CC}$	—	$V_{CC} + 0.3$	V	Hysteresis input
"L" level input voltage	$V_{IL1}$	P01, P04, P10, P22, P23	*1	$V_{SS} - 0.3$	—	$0.3 V_{CC}$	V	
	$V_{IL5}$	P00 to P07, P10 to P17, P20 to P23, P40 to P43* <sup>2</sup> , P50 to P53* <sup>2</sup> , P60 to P67, P90 to P93, P94* <sup>2</sup> , PA0 to PA7, PB0, PB1, PB2 to PB4* <sup>2</sup> , PC0 to PC3, PC4 to PC7* <sup>2</sup> , PE0 to PE7, PF0, PF1, PG1, PG2	*1	$V_{SS} - 0.3$	—	$0.2 V_{CC}$	V	Hysteresis input
	$V_{IL6}$	PF2	—	$V_{SS} - 0.3$	—	$0.3 V_{CC}$	V	Hysteresis input
Open-drain output application voltage	$V_D$	P12, P22, P23, PF2	—	$V_{SS} - 0.3$	—	$V_{SS} + 5.5$	V	
"H" level output voltage	$V_{OH}$	Output pins other than P12, P22, P23, PF2	$I_{OH} = -4\text{ mA}^{*3}$	$V_{CC} - 0.5$	—	—	V	

(V<sub>CC</sub> = 3.0 V±10%, V<sub>SS</sub> = 0.0 V, T<sub>A</sub> = -40 °C to +85 °C)

Parameter	Symbol	Pin name	Condition	Value			Unit	Remarks
				Min	Typ	Max		
"L" level output voltage	V <sub>OL</sub>	All output pins	I <sub>OL</sub> = 4 mA*4	—	—	0.4	V	
Input leak current (Hi-Z output leak current)	I <sub>LI</sub>	All input pins	0.0 V < V <sub>I</sub> < V <sub>CC</sub>	-5	—	+5	μA	When the internal pull-up resistor is disabled
Internal pull-up resistor	R <sub>PULL</sub>	P10, P11, P13, P14, P17, P20, P21, P50 to P53*2, PG1, PG2	V <sub>I</sub> = 0 V	75	100	150	kΩ	When the internal pull-up resistor is enabled
Input capacitance	C <sub>IN</sub>	Other than V <sub>CC</sub> and V <sub>SS</sub>	f = 1 MHz	—	5	15	pF	



(V<sub>CC</sub> = 3.0 V±10%, V<sub>SS</sub> = 0.0 V, T<sub>A</sub> = -40 °C to +85 °C)

Parameter	Symbol	Pin name	Condition	Value			Unit	Remarks
				Min	Typ*1	Max*5		
Power supply current*6	I <sub>CC</sub>	V <sub>CC</sub> (External clock operation)	F <sub>CH</sub> = 32 MHz F <sub>MP</sub> = 16 MHz Main clock mode (divided by 2)	—	4.7	7.3	mA	Except during Flash memory programming and erasing
				—	9.8	15.8	mA	During Flash memory programming and erasing
	I <sub>CCS</sub>		F <sub>CH</sub> = 32 MHz F <sub>MP</sub> = 16 MHz Main sleep mode (divided by 2)	—	2.1	3.4	mA	
	I <sub>CCCL</sub>		F <sub>CL</sub> = 32 kHz F <sub>MPL</sub> = 16 kHz Subclock mode (divided by 2) T <sub>A</sub> = +25 °C	—	35	60	μA	
	I <sub>CCLS</sub>		F <sub>CL</sub> = 32 kHz F <sub>MPL</sub> = 16 kHz Subsleep mode (divided by 2) T <sub>A</sub> = +25 °C	—	2	7	μA	
	I <sub>CCCT</sub>		F <sub>CL</sub> = 32 kHz Watch mode Main stop mode T <sub>A</sub> = +25 °C	—	1.2	6.2	μA	
	I <sub>CCMPLL</sub>		F <sub>MPLL</sub> = 16 MHz F <sub>MP</sub> = 16 MHz Main PLL clock mode (multiplied by 4)	—	5.3	8.5	mA	
	I <sub>CCMCRPLL</sub>		F <sub>MCRPLL</sub> = 16 MHz F <sub>MP</sub> = 16 MHz Main CR PLL clock mode (multiplied by 4)	—	4.9	8.3	mA	
	I <sub>CCMCR</sub>		F <sub>CRH</sub> = 4 MHz F <sub>MP</sub> = 4 MHz Main CR clock mode	—	1.7	3.4	mA	
	I <sub>CCSCR</sub>		Sub-CR clock mode T <sub>A</sub> = +25 °C	—	54	100	μA	

( $V_{CC} = 3.0 V \pm 10\%$ ,  $V_{SS} = 0.0 V$ ,  $T_A = -40\text{ }^\circ\text{C}$  to  $+85\text{ }^\circ\text{C}$ )

Parameter	Symbol	Pin name	Condition	Value			Unit	Remarks
				Min	Typ*1	Max*5		
Power supply current*6	I <sub>CCTS</sub>	V <sub>CC</sub> (External clock operation)	F <sub>CH</sub> = 32 MHz Time-base timer mode T <sub>A</sub> = +25 °C	—	450	500	μA	
	I <sub>CCH</sub>		Substop mode T <sub>A</sub> = +25 °C	—	0.7	5	μA	
	I <sub>A</sub>	AV <sub>CC</sub>	F <sub>CH</sub> = 16 MHz Current consumption of the A/D converter	—	1.8	3.2	mA	
	I <sub>AH</sub>		F <sub>CH</sub> = 16 MHz Current consumption with the A/D converter halted	—	0.1	1.7	μA	
	I <sub>V</sub>		F <sub>CH</sub> = 16 MHz Current consumption of the comparator	—	160	700	μA	
	I <sub>PLVD</sub>	V <sub>CC</sub>	Current consumption of the low-voltage detection reset circuit in operation	—	6	26	μA	
	I <sub>ILVD</sub>		Current consumption of the low-voltage detection interrupt circuit operating in normal mode	—	6	14	μA	
	I <sub>ILVDL</sub>		Current consumption of the low-voltage detection interrupt circuit operating in low power consumption mode	—	3	10	μA	
	I <sub>CRH</sub>		Current consumption of the main CR oscillator	—	270	320	μA	
	I <sub>CRL</sub>		Current consumption of the sub-CR oscillator oscillating at 100 kHz	—	5	20	μA	
	I <sub>SOSC</sub>	Current consumption of the suboscillator	—	0.8	7	μA		

( $V_{CC} = 3.0 V \pm 10\%$ ,  $V_{SS} = 0.0 V$ ,  $T_A = -40\text{ }^\circ\text{C}$  to  $+85\text{ }^\circ\text{C}$ )

Parameter	Symbol	Pin name	Condition	Value			Unit	Remarks
				Min	Typ*1	Max*5		
LCD internal division resistance	$R_{LCD}$	—	Between V4 and $V_{SS}$	—	400	—	$k\Omega$	
				—	40	—	$k\Omega$	
COM0 to COM7 output impedance	$R_{VCOM}$	COM0 to COM7	$V1$ to $V4 = 4.1 V$	—	—	5	$k\Omega$	
SEG00 to SEG39*7 output impedance	$R_{VSEG}$	SEG00 to SEG39*7		—	—	7	$k\Omega$	
LCD leakage current	$I_{LCDL}$	$V0^{*8}$ to V4, COM0 to COM7, SEG00 to SEG39*7	—	-1	—	+1	$\mu A$	

\*1:  $V_{CC} = 3.0 V$ ,  $T_A = +25\text{ }^\circ\text{C}$

\*2: P40 to P43, P50 to P53, P94, PB2 to PB4 are only available on the MB95710M Series.

\*3: When  $V_{CC}$  is smaller than 4.5 V, the condition becomes  $I_{OH} = -2\text{ mA}$ .

\*4: When  $V_{CC}$  is smaller than 4.5 V, the condition becomes  $I_{OL} = 2\text{ mA}$ .

\*5:  $V_{CC} = 3.3 V$ ,  $T_A = +85\text{ }^\circ\text{C}$  (unless otherwise specified)

\*6: • The power supply current is determined by the external clock. When the low-voltage detection reset circuit is selected, the power supply current is the sum of adding the current consumption of the low-voltage detection reset circuit ( $I_{PLVD}$ ) to one of the values from  $I_{CC}$  to  $I_{CCH}$ . In addition, when both the low-voltage detection reset circuit and a CR oscillator are selected, the power supply current is the sum of adding up the current consumption of the low-voltage detection reset circuit ( $I_{PLVD}$ ), the current consumption of the CR oscillator ( $I_{CRH}$  or  $I_{CRL}$ ) and one of the values from  $I_{CC}$  to  $I_{CCH}$ . In on-chip debug mode, the main CR oscillator ( $I_{CRH}$ ) and the low-voltage detection reset circuit are always in operation, and current consumption therefore increases accordingly.

• See "4. AC Characteristics Clock Timing" for  $F_{CH}$ ,  $F_{CL}$ ,  $F_{CRH}$ ,  $F_{MCRPLL}$  and  $F_{MPLL}$ .

• See "4. AC Characteristics Source Clock/Machine Clock" for  $F_{MP}$  and  $F_{MPL}$ .

• The power supply current in subclock mode is determined by the external clock. In subclock mode, current consumption in using the crystal oscillator is higher than that in using the external clock. When the crystal oscillator is used, the power supply current is the sum of adding  $I_{SOSC}$  (current consumption of the suboscillator) to the power supply current in using the external clock. For details of controlling the subclock, refer to "CHAPTER 3 CLOCK CONTROLLER" and "CHAPTER 30 SYSTEM CONFIGURATION REGISTER" in "New 8FX MB95710M/770M Series Hardware Manual".

\*7: SEG32 to SEG39 are only available on the MB95710M Series.

\*8:  $V0$  is only available on the MB95710M Series.

## 22.4 AC Characteristics

### 22.4.1 Clock Timing

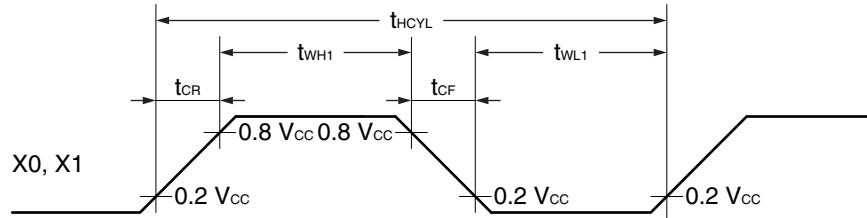
( $V_{CC} = 1.8\text{ V to }5.5\text{ V}$ ,  $V_{SS} = 0.0\text{ V}$ ,  $T_A = -40\text{ }^\circ\text{C to }+85\text{ }^\circ\text{C}$ )

Parameter	Symbol	Pin name	Condition	Value			Unit	Remarks
				Min	Typ	Max		
Clock frequency	F <sub>CH</sub>	X0, X1	—	1	—	16.25	MHz	When the main oscillation circuit is used
		X0	—	1	—	32.5	MHz	When the main external clock is used
		X0, X1	—	4	—	8.13	MHz	Operating conditions • The main clock is used. • PLL multiplication rate: 2
				4	—	6.5	MHz	Operating conditions • The main clock is used. • PLL multiplication rate: 2.5
				4	—	5.41	MHz	Operating conditions • The main clock is used. • PLL multiplication rate: 3
				4	—	4.06	MHz	Operating conditions • The main clock is used. • PLL multiplication rate: 4
	F <sub>CRH</sub>	—	—	3.92	4	4.08	MHz	Operating conditions • The main CR clock is used. • $0\text{ }^\circ\text{C} \leq T_A \leq +70\text{ }^\circ\text{C}$
				3.8	4	4.2	MHz	Operating conditions • The main CR clock is used. • $-40\text{ }^\circ\text{C} \leq T_A < 0\text{ }^\circ\text{C}$ , $+70\text{ }^\circ\text{C} < T_A \leq +85\text{ }^\circ\text{C}$
	F <sub>MCRPLL</sub>	—	—	7.84	8	8.16	MHz	Operating conditions • PLL multiplication rate: 2 • $0\text{ }^\circ\text{C} \leq T_A \leq +70\text{ }^\circ\text{C}$
				7.6	8	8.4	MHz	Operating conditions • PLL multiplication rate: 2 • $-40\text{ }^\circ\text{C} \leq T_A < 0\text{ }^\circ\text{C}$ , $+70\text{ }^\circ\text{C} < T_A \leq +85\text{ }^\circ\text{C}$
				9.8	10	10.2	MHz	Operating conditions • PLL multiplication rate: 2.5 • $0\text{ }^\circ\text{C} \leq T_A \leq +70\text{ }^\circ\text{C}$
				9.5	10	10.5	MHz	Operating conditions • PLL multiplication rate: 2.5 • $-40\text{ }^\circ\text{C} \leq T_A < 0\text{ }^\circ\text{C}$ , $+70\text{ }^\circ\text{C} < T_A \leq +85\text{ }^\circ\text{C}$
				11.76	12	12.24	MHz	Operating conditions • PLL multiplication rate: 3 • $0\text{ }^\circ\text{C} \leq T_A \leq +70\text{ }^\circ\text{C}$
				11.4	12	12.6	MHz	Operating conditions • PLL multiplication rate: 3 • $-40\text{ }^\circ\text{C} \leq T_A < 0\text{ }^\circ\text{C}$ , $+70\text{ }^\circ\text{C} < T_A \leq +85\text{ }^\circ\text{C}$

(V<sub>CC</sub> = 1.8 V to 5.5 V, V<sub>SS</sub> = 0.0 V, T<sub>A</sub> = -40 °C to +85 °C)

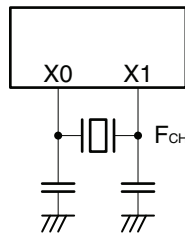
Parameter	Symbol	Pin name	Condition	Value			Unit	Remarks
				Min	Typ	Max		
Clock frequency	F <sub>MCRPLL</sub>	—	—	15.68	16	16.32	MHz	Operating conditions • PLL multiplication rate: 4 • 0 °C ≤ T <sub>A</sub> ≤ +70 °C
				15.2	16	16.8	MHz	Operating conditions • PLL multiplication rate: 4 • -40 °C ≤ T <sub>A</sub> < 0 °C, +70 °C < T <sub>A</sub> ≤ +85 °C
	F <sub>MPLL</sub>	—	—	8	—	16	MHz	When the main PLL clock is used
	F <sub>CL</sub>	X0A, X1A	—	—	32.768	—	kHz	When the sub-oscillation circuit is used
				—	32.768	—	kHz	When the sub-external clock is used
F <sub>CRCL</sub>	—	—	50	100	150	kHz	When the sub-CR clock is used	
Clock cycle time	t <sub>H CYL</sub>	X0, X1	—	61.5	—	1000	ns	When the main oscillation circuit is used
		X0	—	30.8	—	1000	ns	When an external clock is used
		X0, X1	—	—	250	—	ns	When the main PLL clock is used
	t <sub>L CYL</sub>	X0A, X1A	—	—	30.5	—	μs	When the subclock is used
Input clock pulse width	t <sub>WH1</sub> , t <sub>WL1</sub>	X0	—	12.4	—	—	ns	When an external clock is used, the duty ratio should range between 40% and 60%.
		X0, X1	—	—	125	—	ns	When the main PLL clock is used
	t <sub>WH2</sub> , t <sub>WL2</sub>	X0A	—	—	15.2	—	μs	When an external clock is used, the duty ratio should range between 40% and 60%.
Input clock rising time and falling time	t <sub>CR</sub> , t <sub>CF</sub>	X0, X0A	—	—	—	5	ns	When an external clock is used
CR oscillation start time	t <sub>CRHWK</sub>	—	—	—	—	50	μs	When the main CR clock is used
	t <sub>CRLWK</sub>	—	—	—	—	30	μs	When the sub-CR clock is used
PLL oscillation start time	t <sub>MCRPLLWK</sub>	—	—	—	—	100	μs	When the main CR PLL clock is used

- Input waveform generated when an external clock (main clock) is used

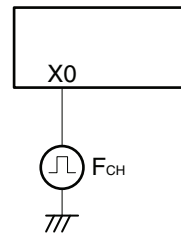


- Figure of main clock input port external connection

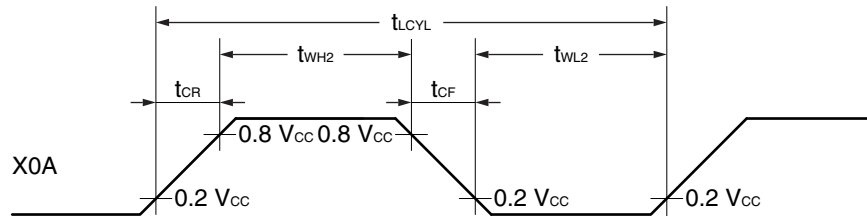
When a crystal oscillator or a ceramic oscillator is used



When an external clock is used

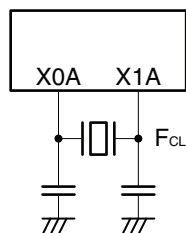


- Input waveform generated when an external clock (subclock) is used

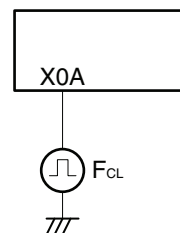


- Figure of subclock input port external connection

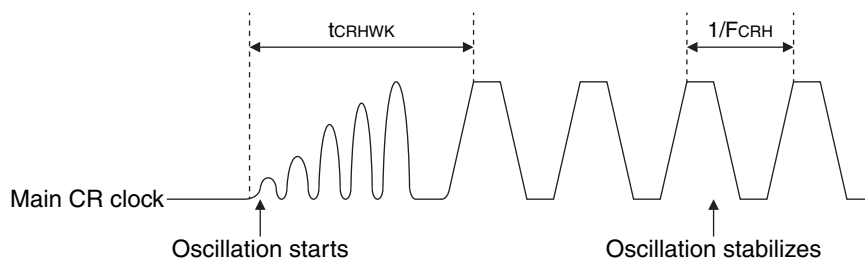
When a crystal oscillator or a ceramic oscillator is used



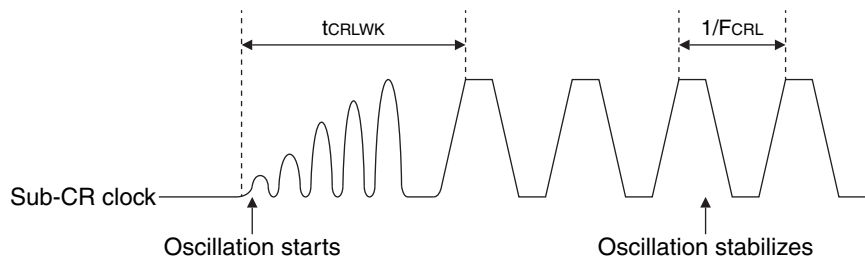
When an external clock is used



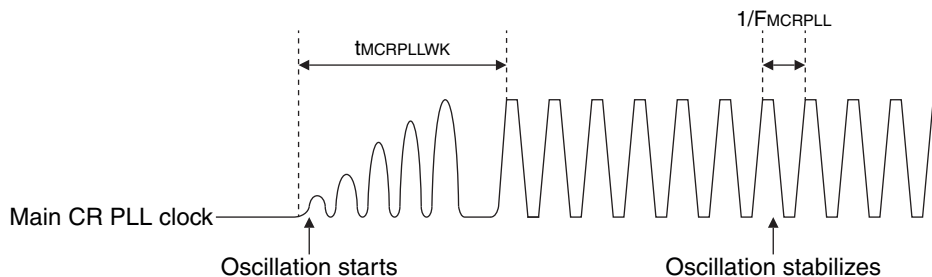
- Input waveform generated when an internal clock (main CR clock) is used



- Input waveform generated when an internal clock (sub-CR clock) is used



- Input waveform generated when an internal clock (main CR PLL clock) is used



22.4.2 Source Clock/Machine Clock

( $V_{CC} = 1.8\text{ V to }5.5\text{ V}$ ,  $V_{SS} = 0.0\text{ V}$ ,  $T_A = -40\text{ }^\circ\text{C to }+85\text{ }^\circ\text{C}$ )

Parameter	Symbol	Pin name	Value			Unit	Remarks
			Min	Typ	Max		
Source clock cycle time*1	t <sub>SCLK</sub>	—	61.5	—	2000	ns	When the main external clock is used Min: F <sub>CH</sub> = 32.5 MHz, divided by 2 Max: F <sub>CH</sub> = 1 MHz, divided by 2
			—	250	—	ns	When the main CR clock is used
			62.5	—	250	ns	When the main PLL clock is used Min: F <sub>CH</sub> = 4 MHz, multiplied by 4 Max: F <sub>CH</sub> = 4 MHz, no division
			62.5	—	250	ns	When the main CR PLL clock is used Min: F <sub>CRH</sub> = 4 MHz, multiplied by 4 Max: F <sub>CRH</sub> = 4 MHz, no division
			—	61	—	μs	When the sub-oscillation clock is used F <sub>CL</sub> = 32.768 kHz, divided by 2
			—	20	—	μs	When the sub-CR clock is used F <sub>CL</sub> = 100 kHz, divided by 2
Source clock frequency	F <sub>SP</sub>	—	0.5	—	16.25	MHz	When the main oscillation clock is used
			—	4	—	MHz	When the main CR clock is used
			8	—	16	MHz	When the main PLL clock is used
			8	—	16	MHz	When the main CR PLL clock is used
	F <sub>SPL</sub>		—	16.384	—	kHz	When the sub-oscillation clock is used
			—	50	—	kHz	When the sub-CR clock is used F <sub>CRL</sub> = 100 kHz, divided by 2
Machine clock cycle time*2 (minimum instruction execution time)	t <sub>MCLK</sub>	—	61.5	—	32000	ns	When the main oscillation clock is used Min: F <sub>SP</sub> = 16.25 MHz, no division Max: F <sub>SP</sub> = 0.5 MHz, divided by 16
			250	—	4000	ns	When the main CR clock is used Min: F <sub>SP</sub> = 4 MHz, no division Max: F <sub>SP</sub> = 4 MHz, divided by 16
			62.5	—	2000	ns	When the main PLL clock is used Min: F <sub>SP</sub> = 4 MHz, multiplied by 4 Max: F <sub>SP</sub> = 4 MHz, divided by 16
			62.5	—	2000	ns	When the main CR PLL clock is used Min: F <sub>SP</sub> = 4 MHz, multiplied by 4 Max: F <sub>SP</sub> = 4 MHz, divided by 16
			61	—	976.5	μs	When the sub-oscillation clock is used Min: F <sub>SPL</sub> = 16.384 kHz, no division Max: F <sub>SPL</sub> = 16.384 kHz, divided by 16
			20	—	320	μs	When the sub-CR clock is used Min: F <sub>SPL</sub> = 50 kHz, no division Max: F <sub>SPL</sub> = 50 kHz, divided by 16



(V<sub>CC</sub> = 1.8 V to 5.5 V, V<sub>SS</sub> = 0.0 V, T<sub>A</sub> = -40 °C to +85 °C)

Parameter	Symbol	Pin name	Value			Unit	Remarks
			Min	Typ	Max		
Machine clock frequency	F <sub>MP</sub>	—	0.031	—	16.25	MHz	When the main oscillation clock is used
			0.25	—	4	MHz	When the main CR clock is used
			0.5	—	16	MHz	When the main PLL clock is used
			0.5	—	16	MHz	When the main CR PLL clock is used
	F <sub>MPL</sub>		1.024	—	16.384	kHz	When the sub-oscillation clock is used
			3.125	—	50	kHz	When the sub-CR clock is used F <sub>CR_L</sub> = 100 kHz

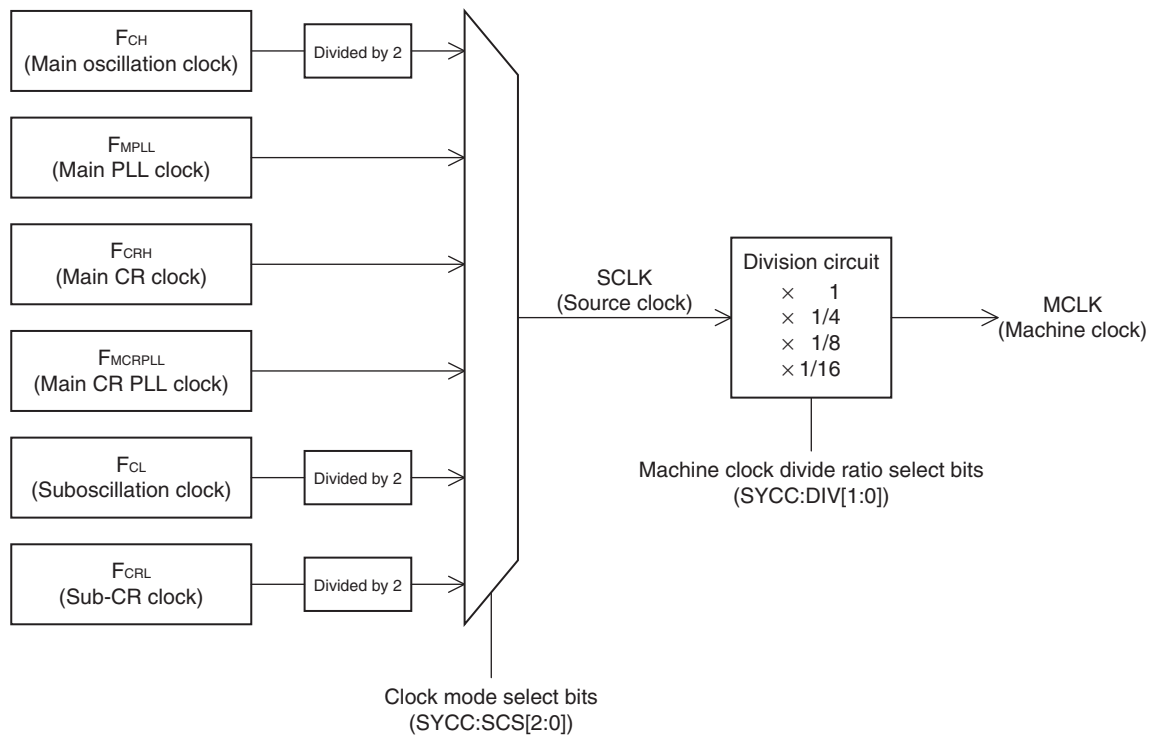
\*1: This is the clock before it is divided according to the division ratio set by the machine clock division ratio select bits (SYCC:DIV[1:0]). This source clock is divided to become a machine clock according to the division ratio set by the machine clock division ratio select bits (SYCC:DIV[1:0]). In addition, a source clock can be selected from the following.

- Main clock divided by 2
- PLL multiplication of main clock (Select a multiplication rate from 2, 2.5, 3 and 4.)
- Main CR clock
- PLL multiplication of main CR clock (Select a multiplication rate from 2, 2.5, 3 and 4.)
- Subclock divided by 2
- Sub-CR clock divided by 2

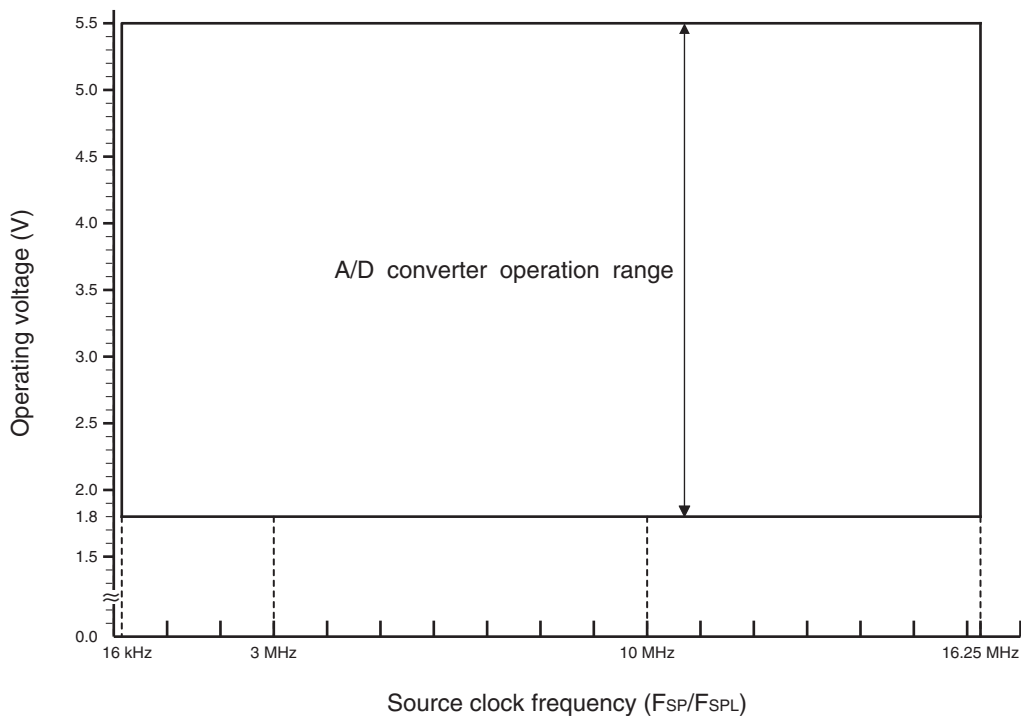
\*2: This is the operating clock of the microcontroller. A machine clock can be selected from the following.

- Source clock (no division)
- Source clock divided by 4
- Source clock divided by 8
- Source clock divided by 16

• Schematic diagram of the clock generation block



• Operating voltage - Operating frequency ( $T_A = -40\text{ }^\circ\text{C}$  to  $+85\text{ }^\circ\text{C}$ )

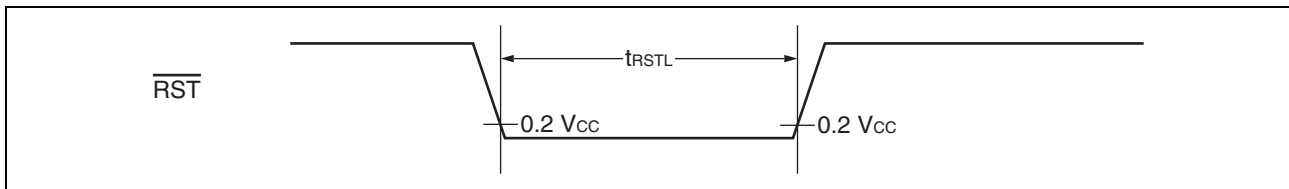


22.4.3 External Reset

( $V_{CC} = 3.0\text{ V to }5.5\text{ V}$ ,  $V_{SS} = 0.0\text{ V}$ ,  $T_A = -40\text{ }^\circ\text{C to }+85\text{ }^\circ\text{C}$ )

Parameter	Symbol	Value		Unit	Remarks
		Min	Max		
RST "L" level pulse width	$t_{RSTL}$	$2 t_{MCLK}^*$	—	ns	

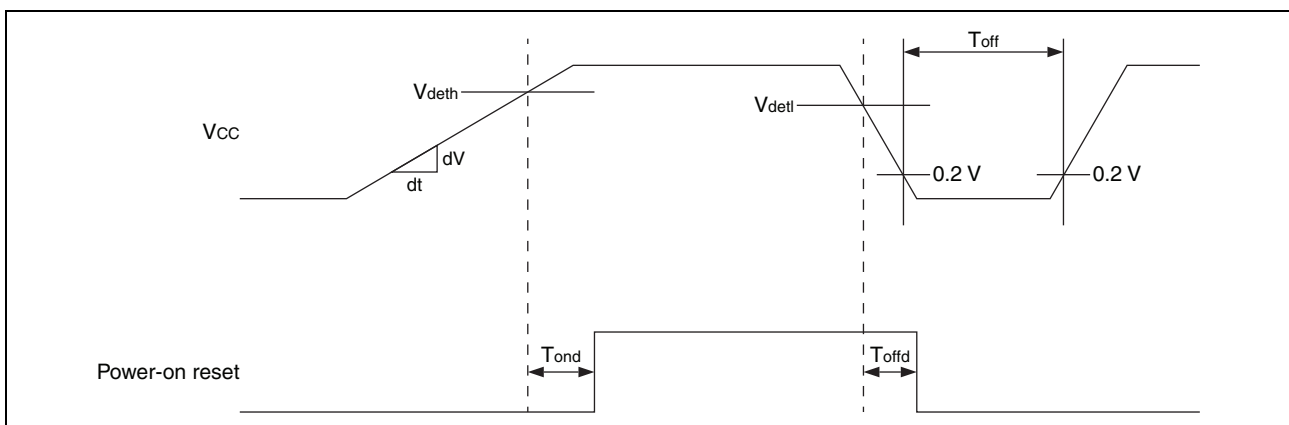
\*: See "Source Clock/Machine Clock" for  $t_{MCLK}$ .



22.4.4 Power-on Reset

( $V_{SS} = 0.0\text{ V}$ ,  $T_A = -40\text{ }^\circ\text{C to }+85\text{ }^\circ\text{C}$ )

Parameter	Symbol	Pin name	Value			Unit	Remarks
			Min	Typ	Max		
Power supply rising time	$dV/dt$	$V_{CC}$	0.1	—	—	V/ms	
Power supply cutoff time	$T_{off}$		1	—	—	ms	
Reset release voltage	$V_{deth}$		1.44	1.60	1.76	V	At voltage rise
Reset detection voltage	$V_{dett}$		1.39	1.55	1.71	V	At voltage fall
Reset release delay time	$T_{ond}$		—	—	10	ms	$dV/dt \geq 0.1\text{ mV}/\mu\text{s}$
Reset detection delay time	$T_{offd}$		—	—	0.4	ms	$dV/dt \geq -0.04\text{ mV}/\mu\text{s}$

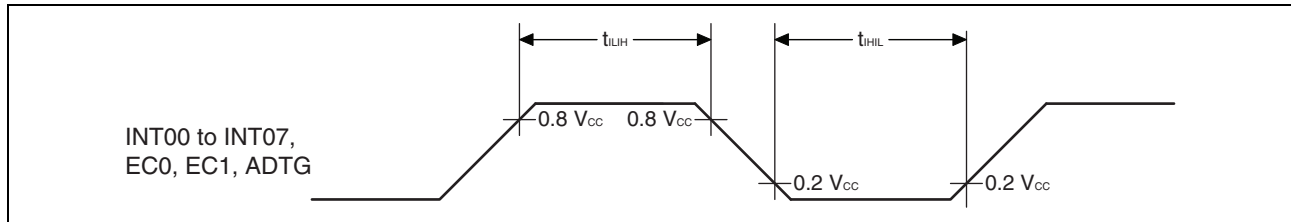


22.4.5 Peripheral Input Timing

( $V_{CC} = 3.0\text{ V to }5.5\text{ V}$ ,  $V_{SS} = 0.0\text{ V}$ ,  $T_A = -40\text{ }^\circ\text{C to }+85\text{ }^\circ\text{C}$ )

Parameter	Symbol	Pin name	Value		Unit
			Min	Max	
Peripheral input "H" pulse width	$t_{LIH}$	INT00 to INT07, EC0, EC1,	2 $t_{MCLK}^*$	—	ns
Peripheral input "L" pulse width	$t_{HIL}$	ADTG	2 $t_{MCLK}^*$	—	ns

\*: See "Source Clock/Machine Clock" for  $t_{MCLK}$ .



22.4.6 Low-voltage Detection

- Normal mode

( $V_{CC} = 1.8\text{ V to }5.5\text{ V}$ ,  $V_{SS} = 0.0\text{ V}$ ,  $T_A = -40\text{ }^\circ\text{C to }+85\text{ }^\circ\text{C}$ )

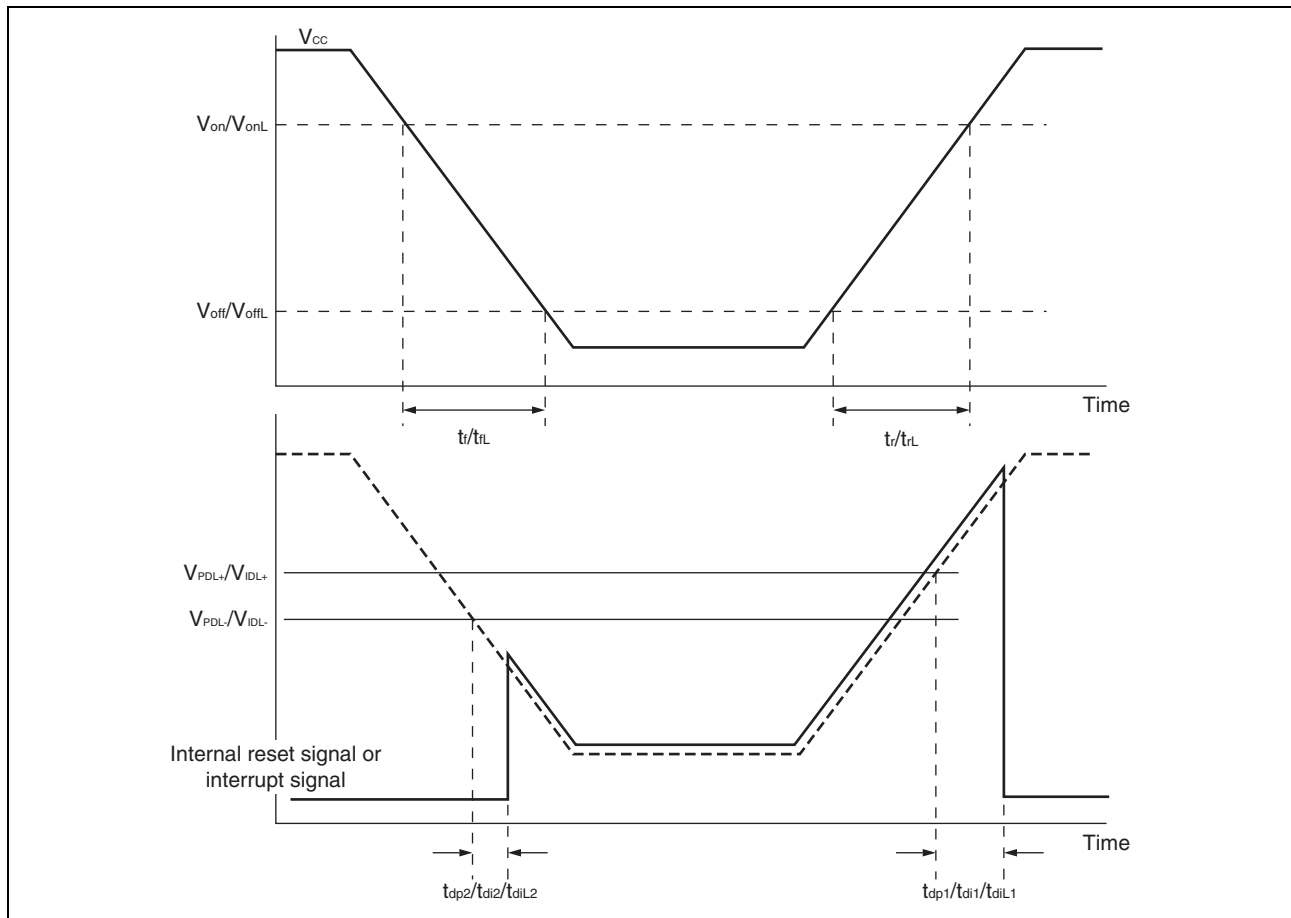
Parameter	Symbol	Value			Unit	Remarks
		Min	Typ	Max		
Reset release voltage	$V_{PDL+}$	1.88	2.03	2.18	V	At power supply rise
Reset detection voltage	$V_{PDL-}$	1.8	1.93	2.06	V	At power supply fall
Interrupt release voltage 0	$V_{IDL0+}$	2.13	2.3	2.47	V	At power supply rise
Interrupt detection voltage 0	$V_{IDL0-}$	2.05	2.2	2.35	V	At power supply fall
Interrupt release voltage 1	$V_{IDL1+}$	2.41	2.6	2.79	V	At power supply rise
Interrupt detection voltage 1	$V_{IDL1-}$	2.33	2.5	2.67	V	At power supply fall
Interrupt release voltage 2	$V_{IDL2+}$	2.69	2.9	3.11	V	At power supply rise
Interrupt detection voltage 2	$V_{IDL2-}$	2.61	2.8	2.99	V	At power supply fall
Interrupt release voltage 3	$V_{IDL3+}$	3.06	3.3	3.54	V	At power supply rise
Interrupt detection voltage 3	$V_{IDL3-}$	2.98	3.2	3.42	V	At power supply fall
Interrupt release voltage 4	$V_{IDL4+}$	3.43	3.7	3.97	V	At power supply rise
Interrupt detection voltage 4	$V_{IDL4-}$	3.35	3.6	3.85	V	At power supply fall
Interrupt release voltage 5	$V_{IDL5+}$	3.81	4.1	4.39	V	At power supply rise
Interrupt detection voltage 5	$V_{IDL5-}$	3.73	4	4.27	V	At power supply fall
Power supply start voltage	$V_{off}$	—	—	1.6	V	
Power supply end voltage	$V_{on}$	4.39	—	—	V	
Power supply voltage change time (at power supply rise)	$t_r$	697.5	—	—	$\mu\text{s}$	Slope of power supply that the reset release signal generates within the rating ( $V_{PDL+}/V_{IDL+}$ )
Power supply voltage change time (at power supply fall)	$t_f$	697.5	—	—	$\mu\text{s}$	Slope of power supply that the reset detection signal generates within the rating ( $V_{PDL-}/V_{IDL-}$ )
Reset release delay time	$t_{dp1}$	—	—	30	$\mu\text{s}$	
Reset detection delay time	$t_{dp2}$	—	—	30	$\mu\text{s}$	
Interrupt release delay time	$t_{di1}$	—	—	30	$\mu\text{s}$	
Interrupt detection delay time	$t_{di2}$	—	—	30	$\mu\text{s}$	
Interrupt threshold voltage transition stabilization time	$t_{stb}$	—	—	30	$\mu\text{s}$	

- Low power consumption mode

( $V_{CC} = 1.8\text{ V to }5.5\text{ V}$ ,  $V_{SS} = 0.0\text{ V}$ ,  $T_A = -40\text{ }^\circ\text{C to }+85\text{ }^\circ\text{C}$ )

Parameter	Symbol	Value			Unit	Remarks
		Min	Typ	Max		
Interrupt release voltage 0	$V_{IDLL0+}$	2.06	2.3	2.54	V	At power supply rise
Interrupt detection voltage 0	$V_{IDLL0-}$	1.98	2.2	2.42	V	At power supply fall
Interrupt release voltage 1	$V_{IDLL1+}$	2.33	2.6	2.87	V	At power supply rise
Interrupt detection voltage 1	$V_{IDLL1-}$	2.25	2.5	2.75	V	At power supply fall
Interrupt release voltage 2	$V_{IDLL2+}$	2.6	2.9	3.2	V	At power supply rise
Interrupt detection voltage 2	$V_{IDLL2-}$	2.52	2.8	3.08	V	At power supply fall
Interrupt release voltage 3	$V_{IDLL3+}$	2.96	3.3	3.64	V	At power supply rise
Interrupt detection voltage 3	$V_{IDLL3-}$	2.88	3.2	3.52	V	At power supply fall
Interrupt release voltage 4	$V_{IDLL4+}$	3.32	3.7	4.08	V	At power supply rise
Interrupt detection voltage 4	$V_{IDLL4-}$	3.24	3.6	3.96	V	At power supply fall
Interrupt release voltage 5	$V_{IDLL5+}$	3.68	4.1	4.52	V	At power supply rise
Interrupt detection voltage 5	$V_{IDLL5-}$	3.6	4	4.4	V	At power supply fall
Power supply start voltage	$V_{offL}$	—	—	1.6	V	
Power supply end voltage	$V_{onL}$	4.52	—	—	V	
Power supply voltage change time (at power supply rise)	$t_{rL}$	7300	—	—	$\mu\text{s}$	Slope of power supply that the interrupt release signal generates within the rating ( $V_{IDLL+}$ )
Power supply voltage change time (at power supply fall)	$t_{rL}$	7300	—	—	$\mu\text{s}$	Slope of power supply that the interrupt detection signal generates within the rating ( $V_{IDLL-}$ )
Interrupt release delay time	$t_{diL1}$	—	—	400	$\mu\text{s}$	
Interrupt detection delay time	$t_{diL2}$	—	—	400	$\mu\text{s}$	
Interrupt threshold voltage transition stabilization time	$t_{stbL}$	—	—	400	$\mu\text{s}$	
Interrupt low-voltage detection mode switch time	$t_{mdsw}$	—	—	400	$\mu\text{s}$	Normal mode $\leftrightarrow$ Low power consumption mode

Note: When being used for interrupt, the low-voltage detection circuit can be switched between normal mode and low power consumption mode. Compared with normal mode, in low power consumption mode, while the detection voltage and release voltage are less accurate, and the detection delay time and the release delay time become longer, there is less power consumption. For the difference in power consumption between normal mode and low power consumption mode, see “22.3 DC Characteristics”. For the method of switching between normal mode and low power consumption mode, refer to “CHAPTER 16 LOW-VOLTAGE DETECTION CIRCUIT” in “New 8FX MB95710M/770M Series Hardware Manual”.



22.4.7 I<sup>2</sup>C Bus Interface Timing

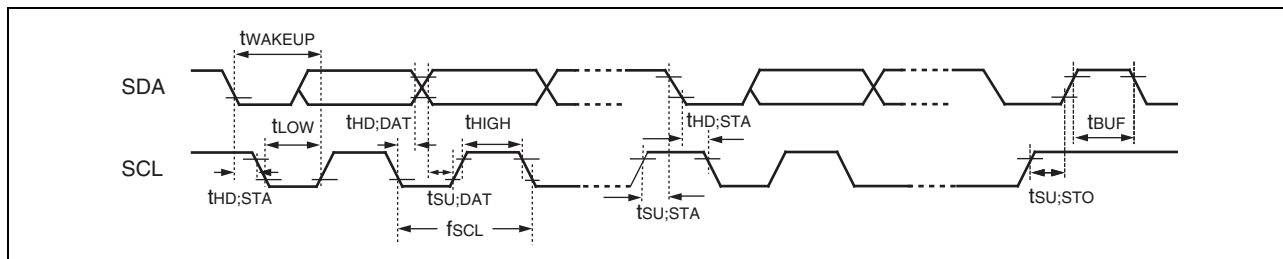
(V<sub>CC</sub> = 3.0 V to 5.5 V, AV<sub>SS</sub> = V<sub>SS</sub> = 0.0 V, T<sub>A</sub> = -40 °C to +85 °C)

Parameter	Symbol	Pin name	Condition	Value				Unit
				Standard-mode		Fast-mode		
				Min	Max	Min	Max	
SCL clock frequency	f <sub>SCL</sub>	SCL		0	100	0	400	kHz
(Repeated) START condition hold time SDA ↓ → SCL ↓	t <sub>HD;STA</sub>	SCL, SDA	R = 1.7 kΩ, C = 50 pF*1	4.0	—	0.6	—	μs
SCL clock "L" width	t <sub>LOW</sub>	SCL		4.7	—	1.3	—	μs
SCL clock "H" width	t <sub>HIGH</sub>	SCL		4.0	—	0.6	—	μs
(Repeated) START condition setup time SCL ↑ → SDA ↓	t <sub>SU;STA</sub>	SCL, SDA		4.7	—	0.6	—	μs
Data hold time SCL ↓ → SDA ↓↑	t <sub>HD;DAT</sub>	SCL, SDA		0	3.45*2	0	0.9*3	μs
Data setup time SDA ↓↑ → SCL ↑	t <sub>SU;DAT</sub>	SCL, SDA		0.25	—	0.1	—	μs
STOP condition setup time SCL ↑ → SDA ↑	t <sub>SU;STO</sub>	SCL, SDA		4	—	0.6	—	μs
Bus free time between STOP condition and START condition	t <sub>BUF</sub>	SCL, SDA		4.7	—	1.3	—	μs

\*1: R represents the pull-up resistor of the SCL and SDA lines, and C the load capacitor of the SCL and SDA lines.

\*2: The maximum t<sub>HD;DAT</sub> in the Standard-mode is applicable only when the time during which the device is holding the SCL signal at "L" (t<sub>LOW</sub>) does not extend.

\*3: A Fast-mode I<sup>2</sup>C-bus device can be used in a Standard-mode I<sup>2</sup>C-bus system, provided that the condition of t<sub>SU;DAT</sub> ≥ 250 ns is fulfilled.



( $V_{CC} = 3.0\text{ V to }5.5\text{ V}$ ,  $AV_{SS} = V_{SS} = 0.0\text{ V}$ ,  $T_A = -40\text{ }^\circ\text{C to }+85\text{ }^\circ\text{C}$ )

Parameter	Symbol	Pin name	Condition	Value*2		Unit	Remarks
				Min	Max		
SCL clock "L" width	t <sub>LOW</sub>	SCL	R = 1.7 kΩ, C = 50 pF*1	$(2 + nm/2)t_{MCLK} - 20$	—	ns	Master mode
SCL clock "H" width	t <sub>HIGH</sub>	SCL		$(nm/2)t_{MCLK} - 20$	$(nm/2)t_{MCLK} + 20$	ns	Master mode
START condition hold time	t <sub>HD;STA</sub>	SCL, SDA		$(-1 + nm/2)t_{MCLK} - 20$	$(-1 + nm)t_{MCLK} + 20$	ns	Master mode Maximum value is applied when m, n = 1, 8. Otherwise, the minimum value is applied.
STOP condition setup time	t <sub>SU;STO</sub>	SCL, SDA		$(1 + nm/2)t_{MCLK} - 20$	$(1 + nm/2)t_{MCLK} + 20$	ns	Master mode
START condition setup time	t <sub>SU;STA</sub>	SCL, SDA		$(1 + nm/2)t_{MCLK} - 20$	$(1 + nm/2)t_{MCLK} + 20$	ns	Master mode
Bus free time between STOP condition and START condition	t <sub>BUF</sub>	SCL, SDA		$(2nm + 4)t_{MCLK} - 20$	—	ns	
Data hold time	t <sub>HD;DAT</sub>	SCL, SDA		$3t_{MCLK} - 20$	—	ns	Master mode
Data setup time	t <sub>SU;DAT</sub>	SCL, SDA		$(-2 + nm/2)t_{MCLK} - 20$	$(-1 + nm/2)t_{MCLK} + 20$	ns	Master mode It is assumed that "L" of SCL is not extended. The minimum value is applied to the first bit of continuous data. Otherwise, the maximum value is applied.
Setup time between clearing interrupt and SCL rising	t <sub>SU;INT</sub>	SCL		$(nm/2)t_{MCLK} - 20$	$(1 + nm/2)t_{MCLK} + 20$	ns	The minimum value is applied to the interrupt at the ninth SCL↓. The maximum value is applied to the interrupt at the eighth SCL↓.
SCL clock "L" width	t <sub>LOW</sub>	SCL		$4t_{MCLK} - 20$	—	ns	At reception
SCL clock "H" width	t <sub>HIGH</sub>	SCL	$4t_{MCLK} - 20$	—	ns	At reception	



(V<sub>CC</sub> = 3.0 V to 5.5 V, AV<sub>SS</sub> = V<sub>SS</sub> = 0.0 V, T<sub>A</sub> = -40 °C to +85 °C)

Parameter	Symbol	Pin name	Condition	Value*2		Unit	Remarks
				Min	Max		
START condition detection	t <sub>HD;STA</sub>	SCL, SDA	R = 1.7 kΩ, C = 50 pF*1	2 t <sub>MCLK</sub> - 20	—	ns	No START condition is detected when 1 t <sub>MCLK</sub> is used at reception.
STOP condition detection	t <sub>SU;STO</sub>	SCL, SDA		2 t <sub>MCLK</sub> - 20	—	ns	No STOP condition is detected when 1 t <sub>MCLK</sub> is used at reception.
RESTART condition detection condition	t <sub>SU;STA</sub>	SCL, SDA		2 t <sub>MCLK</sub> - 20	—	ns	No RESTART condition is detected when 1 t <sub>MCLK</sub> is used at reception.
Bus free time	t <sub>BUF</sub>	SCL, SDA		2 t <sub>MCLK</sub> - 20	—	ns	At reception
Data hold time	t <sub>HD;DAT</sub>	SCL, SDA		2 t <sub>MCLK</sub> - 20	—	ns	At slave transmission mode
Data setup time	t <sub>SU;DAT</sub>	SCL, SDA		t <sub>LOW</sub> - 3 t <sub>MCLK</sub> - 20	—	ns	At slave transmission mode
Data hold time	t <sub>HD;DAT</sub>	SCL, SDA		0	—	ns	At reception
Data setup time	t <sub>SU;DAT</sub>	SCL, SDA		t <sub>MCLK</sub> - 20	—	ns	At reception
SDA↓ → SCL↑ (with wakeup function in use)	t <sub>WAKEUP</sub>	SCL, SDA		Oscillation stabilization wait time +2 t <sub>MCLK</sub> - 20	—	ns	

\*1: R represents the pull-up resistance of the SCL and SDA lines, and C the load capacitance of the SCL and SDA lines.

\*2: • See “Source Clock/Machine Clock” for t<sub>MCLK</sub>.

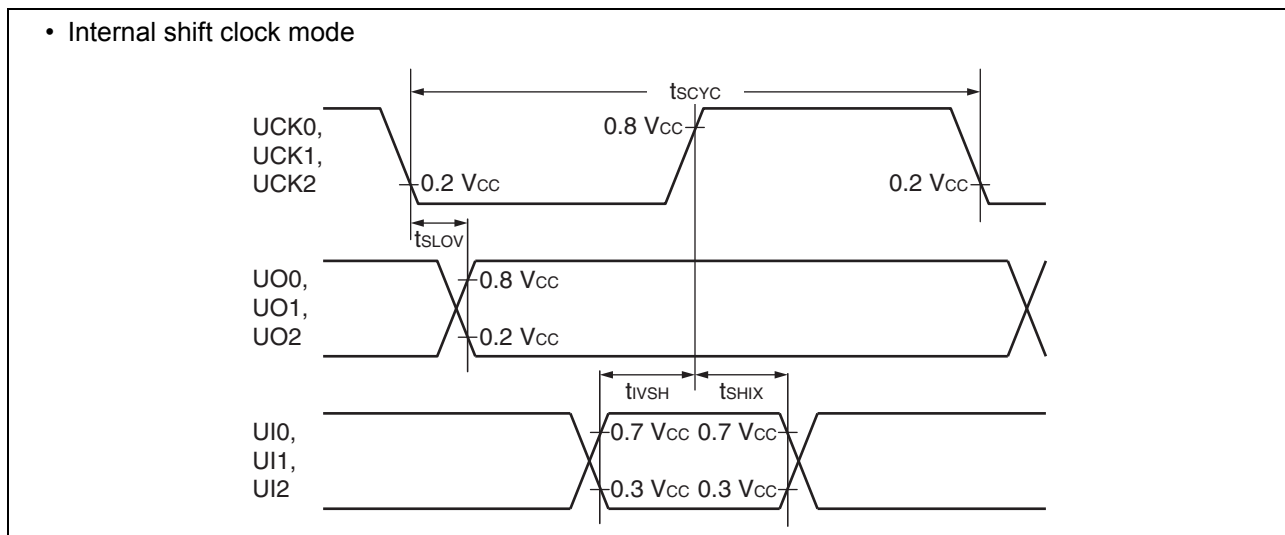
- m represents the CS[4:3] bits in the I<sup>2</sup>C clock control register ch.0 (ICCR0).
- n represents the CS[2:0] bits in the I<sup>2</sup>C clock control register ch.0 (ICCR0).
- The actual timing of the I<sup>2</sup>C bus interface is determined by the values of m and n set by the machine clock (t<sub>MCLK</sub>) and the CS[4:0] bits in the ICCR0 register.
- Standard-mode:  
m and n can be set to values in the following range: 0.9 MHz < t<sub>MCLK</sub> (machine clock) < 16.25 MHz.  
The usable frequencies of the machine clock are determined by the settings of m and n as shown below.  
(m, n) = (1, 8) : 0.9 MHz < t<sub>MCLK</sub> ≤ 1 MHz  
(m, n) = (1, 22), (5, 4), (6, 4), (7, 4), (8, 4) : 0.9 MHz < t<sub>MCLK</sub> ≤ 2 MHz  
(m, n) = (1, 38), (5, 8), (6, 8), (7, 8), (8, 8) : 0.9 MHz < t<sub>MCLK</sub> ≤ 4 MHz  
(m, n) = (1, 98), (5, 22), (6, 22), (7, 22) : 0.9 MHz < t<sub>MCLK</sub> ≤ 10 MHz  
(m, n) = (8, 22) : 0.9 MHz < t<sub>MCLK</sub> ≤ 16.25 MHz
- Fast-mode:  
m and n can be set to values in the following range: 3.3 MHz < t<sub>MCLK</sub> (machine clock) < 16.25 MHz.  
The usable frequencies of the machine clock are determined by the settings of m and n as shown below.  
(m, n) = (1, 8) : 3.3 MHz < t<sub>MCLK</sub> ≤ 4 MHz  
(m, n) = (1, 22), (5, 4) : 3.3 MHz < t<sub>MCLK</sub> ≤ 8 MHz  
(m, n) = (1, 38), (6, 4), (7, 4), (8, 4) : 3.3 MHz < t<sub>MCLK</sub> ≤ 10 MHz  
(m, n) = (5, 8) : 3.3 MHz < t<sub>MCLK</sub> ≤ 16.25 MHz

22.4.8 UART/SIO, Serial I/O Timing

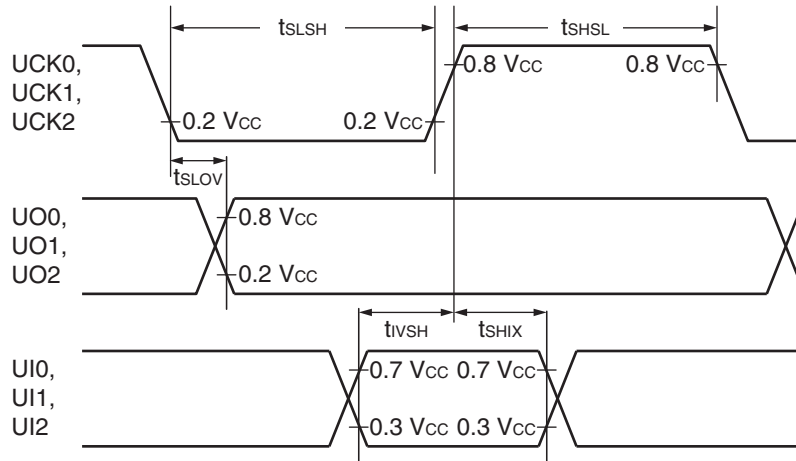
( $V_{CC} = 3.0\text{ V to }5.5\text{ V}$ ,  $AV_{SS} = V_{SS} = 0.0\text{ V}$ ,  $T_A = -40\text{ }^{\circ}\text{C to }+85\text{ }^{\circ}\text{C}$ )

Parameter	Symbol	Pin name	Condition	Value		Unit
				Min	Max	
Serial clock cycle time	$t_{SCYC}$	UCK0, UCK1, UCK2	Internal clock operation output pin: $C_L = 80\text{ pF} + 1\text{ TTL}$	4 $t_{MCLK}^*$	—	ns
UCK ↓ → UO time	$t_{SLOV}$	UCK0, UCK1, UCK2, UO0, UO1, UO2		-190	+190	ns
Valid UI → UCK ↑	$t_{IVSH}$	UCK0, UCK1, UCK2, UI0, UI1, UI2		2 $t_{MCLK}^*$	—	ns
UCK ↑ → valid UI hold time	$t_{SHIX}$	UCK0, UCK1, UCK2, UI0, UI1, UI2		2 $t_{MCLK}^*$	—	ns
Serial clock "H" pulse width	$t_{SHSL}$	UCK0, UCK1, UCK2	External clock operation output pin: $C_L = 80\text{ pF} + 1\text{ TTL}$	4 $t_{MCLK}^*$	—	ns
Serial clock "L" pulse width	$t_{SLSH}$	UCK0, UCK1, UCK2		4 $t_{MCLK}^*$	—	ns
UCK ↓ → UO time	$t_{SLOV}$	UCK0, UCK1, UCK2, UO0, UO1, UO2		—	190	ns
Valid UI → UCK ↑	$t_{IVSH}$	UCK0, UCK1, UCK2, UI0, UI1, UI2		2 $t_{MCLK}^*$	—	ns
UCK ↑ → valid UI hold time	$t_{SHIX}$	UCK0, UCK1, UCK2, UI0, UI1, UI2		2 $t_{MCLK}^*$	—	ns

\*: See "Source Clock/Machine Clock" for  $t_{MCLK}$ .



• External shift clock mode



22.4.9 Comparator Timing

(AV<sub>CC</sub> = 1.8 V to 5.5 V, AV<sub>SS</sub> = 0.0 V, T<sub>A</sub> = -40 °C to +85 °C)

Parameter	Pin name	Value			Unit	Remarks
		Min	Typ	Max		
Voltage range	CMP0_P, CMP0_N	0	—	AV <sub>CC</sub>	V	
Offset voltage	CMP0_P, CMP0_N	-20	—	+20	mV	
Delay time	CMP0_O	—	600	1200	ns	Overdrive 5 mV
		—	120	420	ns	Overdrive 50 mV
Power down delay	CMP0_O	—	—	1200	ns	Power down recovery PD: 1 → 0
		0	—	150	ns	Power down PD: 0 → 1
Power up stabilization time	CMP0_O	—	—	1200	ns	Output stabilization time at power up
Bandgap reference voltage	—	1.15	1.21	1.27	V	

## 22.5 A/D Converter

### 22.5.1 A/D Converter Electrical Characteristics

( $V_{CC} = 1.8\text{ V to }5.5\text{ V}$ ,  $V_{SS} = 0.0\text{ V}$ ,  $T_A = -40\text{ }^\circ\text{C to }+85\text{ }^\circ\text{C}$ )

Parameter	Symbol	Value			Unit	Remarks
		Min	Typ	Max		
Resolution	—	—	—	12	bit	
Total error		-6	—	+6	LSB	$V_{CC} \geq 2.7\text{ V}$
		-10	—	+10	LSB	$V_{CC} < 2.7\text{ V}$
Linearity error		-3	—	+3	LSB	$V_{CC} \geq 2.7\text{ V}$
		-5	—	+5	LSB	$V_{CC} < 2.7\text{ V}$
Differential linearity error		-1.9	—	+1.9	LSB	$V_{CC} \geq 2.7\text{ V}$
	-2.9	—	+2.9	LSB	$V_{CC} < 2.7\text{ V}$	
Zero transition voltage	$V_{0T}$	$V_{SS} - 6\text{ LSB}$	—	$V_{SS} + 8.2\text{ LSB}$	V	
Full-scale transition voltage	$V_{FST}$	$AV_{CC} - 6.2\text{ LSB}$	—	$AV_{CC} + 9.2\text{ LSB}$	V	
Sampling time	$T_S$	*	—	10	$\mu\text{s}$	
Compare time	$T_{CCK}$	0.861	—	14	$\mu\text{s}$	$V_{CC} \geq 2.7\text{ V}$
		2.8	—	14	$\mu\text{s}$	$V_{CC} < 2.7\text{ V}$
Time for transiting to operation enabled state	$T_{STT}$	1	—	—	$\mu\text{s}$	
Analog input current	$I_{AIN}$	-0.3	—	+0.3	$\mu\text{A}$	
Analog input voltage	$V_{AIN}$	$V_{SS}$	—	$AV_{CC}$	V	

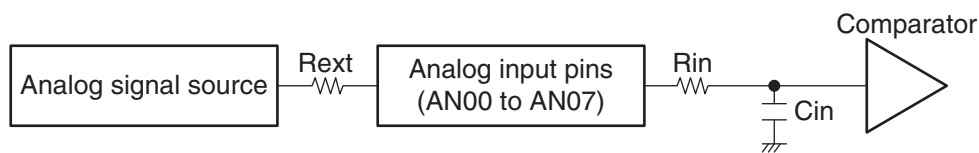
\*: See “Notes on Using A/D Converter” for details of the minimum sampling time.

22.5.2 Notes on Using A/D Converter

• External impedance of analog input and its sampling time

The A/D converter of the MB95710M/770M Series has a sample and hold circuit. If the external impedance is too high to keep sufficient sampling time, the analog voltage charged to the capacitor of the internal sample and hold circuit is insufficient, adversely affecting A/D conversion precision. Therefore, to satisfy the A/D conversion precision standard, considering the relationship between the external impedance and minimum sampling time, either adjust the register value and operating frequency or decrease the external impedance so that the sampling time is longer than the minimum value. In addition, if sufficient sampling time cannot be secured, connect a capacitor of about 0.1  $\mu\text{F}$  to the analog input pin.

• Analog input equivalent circuit



V <sub>CC</sub>	R <sub>in</sub>	C <sub>in</sub>
4.5 V ≤ V <sub>CC</sub> ≤ 5.5 V	0.9 kΩ (max)	13 pF (max)
2.7 V ≤ V <sub>CC</sub> < 4.5 V	1.6 kΩ (max)	13 pF (max)
1.8 V ≤ V <sub>CC</sub> < 2.7 V	4.0 kΩ (max)	13 pF (max)

Note: The values are reference values.

• Relationship between external impedance and minimum sampling time

The necessary sampling time varies according to external impedance. Ensure that the following conditions are fulfilled when setting the sampling time.

$$T_s \geq (R_{in} + R_{ext}) \times C_{in} \times 9$$

T<sub>s</sub> : Sampling time

R<sub>in</sub> : Input resistance of A/D converter

C<sub>in</sub> : Input capacitance of A/D converter

R<sub>ext</sub> : Output impedance of external circuit

• A/D conversion error

As |V<sub>CC</sub> – V<sub>SS</sub>| decreases, the A/D conversion error increases proportionately.

22.5.3 Definitions of A/D Converter Terms

• Resolution

It indicates the level of analog variation that can be distinguished by the A/D converter.

When the number of bits is 12, analog voltage can be divided into  $2^{12} = 4096$ .

• Linearity error (unit: LSB)

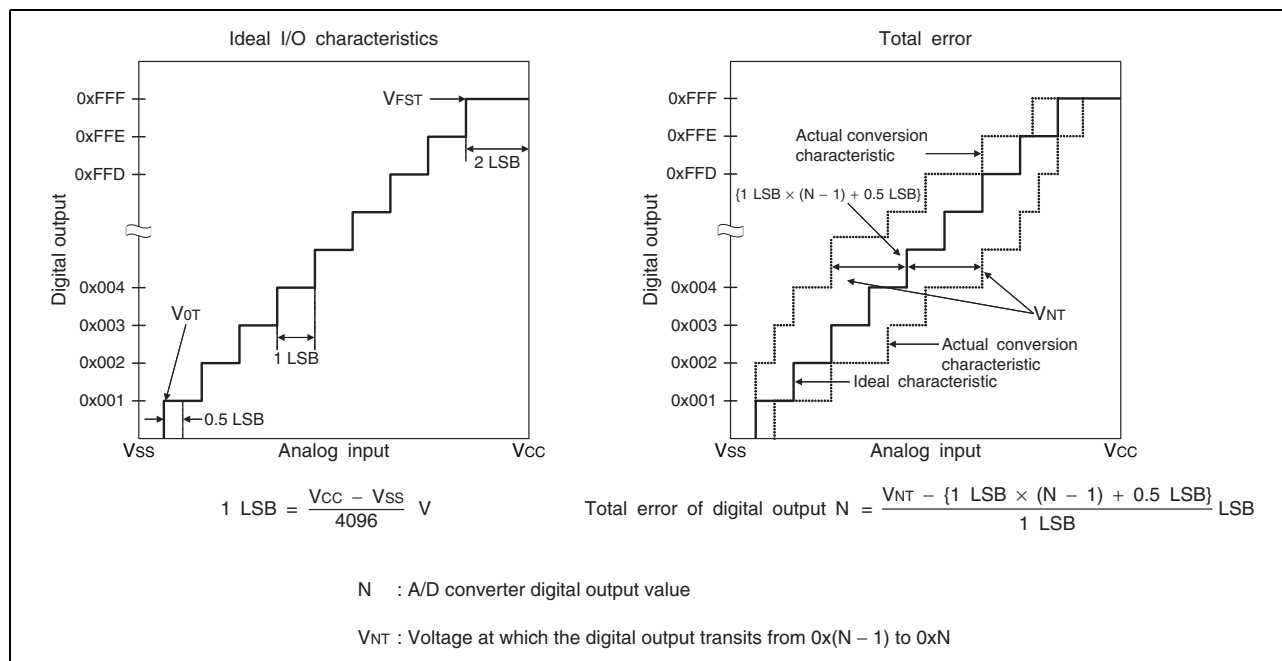
It indicates how much an actual conversion value deviates from the straight line connecting the zero transition point (“000000000000” ← → “000000000001”) of a device to the full-scale transition point (“111111111111” ← → “111111111110”) of the same device.

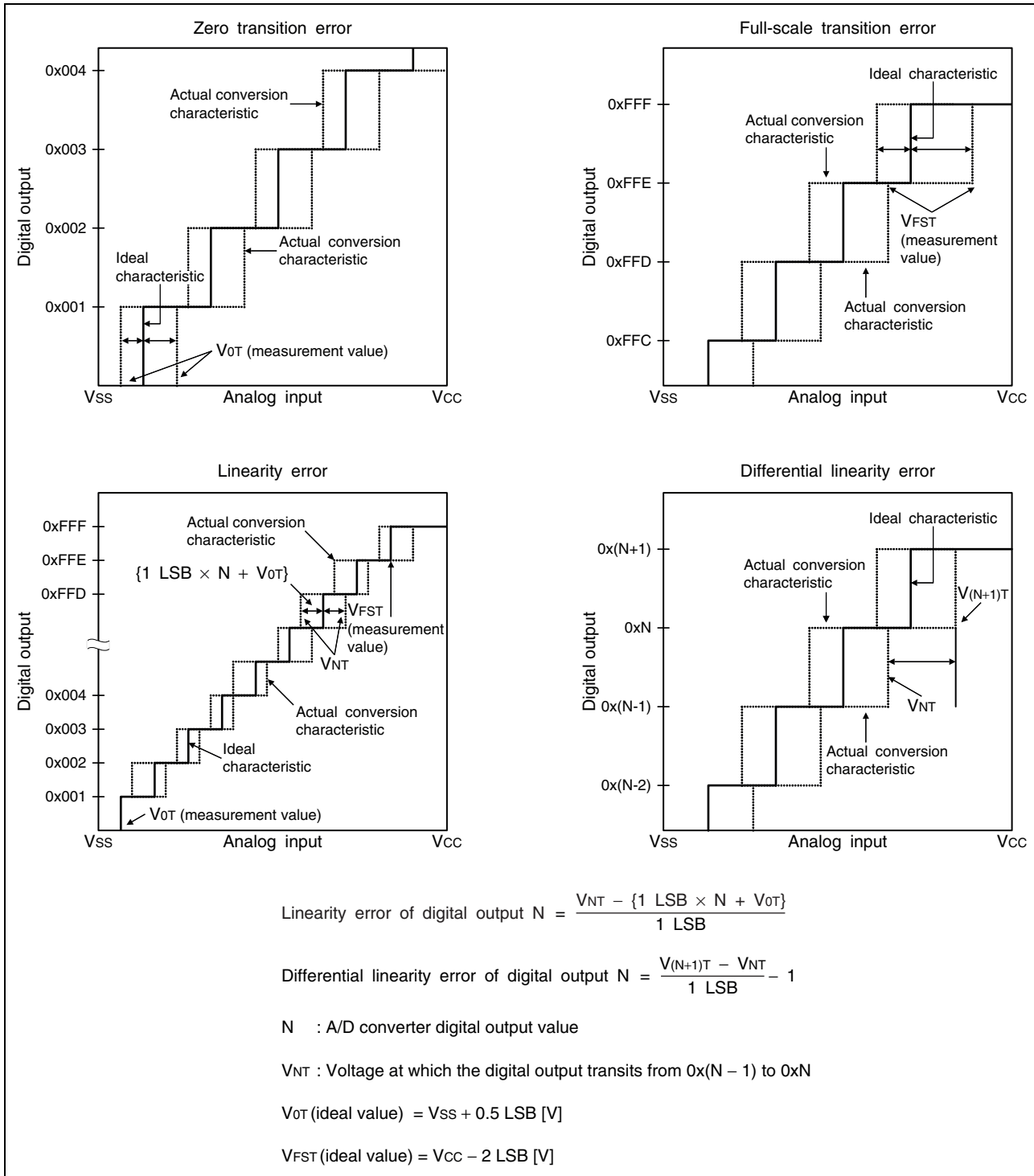
• Differential linear error (unit: LSB)

It indicates how much the input voltage required to change the output code by 1 LSB deviates from an ideal value.

• Total error (unit: LSB)

It indicates the difference between an actual value and a theoretical value. The error can be caused by a zero transition error, a full-scale transition errors, a linearity error, a quantum error, or noise.





**22.6 Flash Memory Program/Erase Characteristics**

Parameter	Value			Unit	Remarks
	Min	Typ	Max		
Sector erase time (2 Kbyte sector)	—	0.3* <sup>1</sup>	1.6* <sup>2</sup>	s	The time of writing “0x00” prior to erasure is excluded.
Sector erase time (24 Kbyte sector and 32 Kbyte sector)	—	0.6* <sup>1</sup>	3.1* <sup>2</sup>	s	The time of writing “0x00” prior to erasure is excluded.
Byte writing time	—	17	272	μs	System-level overhead is excluded.
Program/erase cycle	100000	—	—	cycle	
Power supply voltage at program/erase	1.8	—	5.5	V	
Flash memory data retention time	20* <sup>3</sup>	—	—	year	Average T <sub>A</sub> = +85 °C Number of program/erase cycles: 1000 or below
	10* <sup>3</sup>	—	—		Average T <sub>A</sub> = +85 °C Number of program/erase cycles: 1001 to 10000 inclusive
	5* <sup>3</sup>	—	—		Average T <sub>A</sub> = +85 °C Number of program/erase cycles: 10001 or above

\*1: V<sub>CC</sub> = 5.5 V, T<sub>A</sub> = +25 °C, 0 cycle

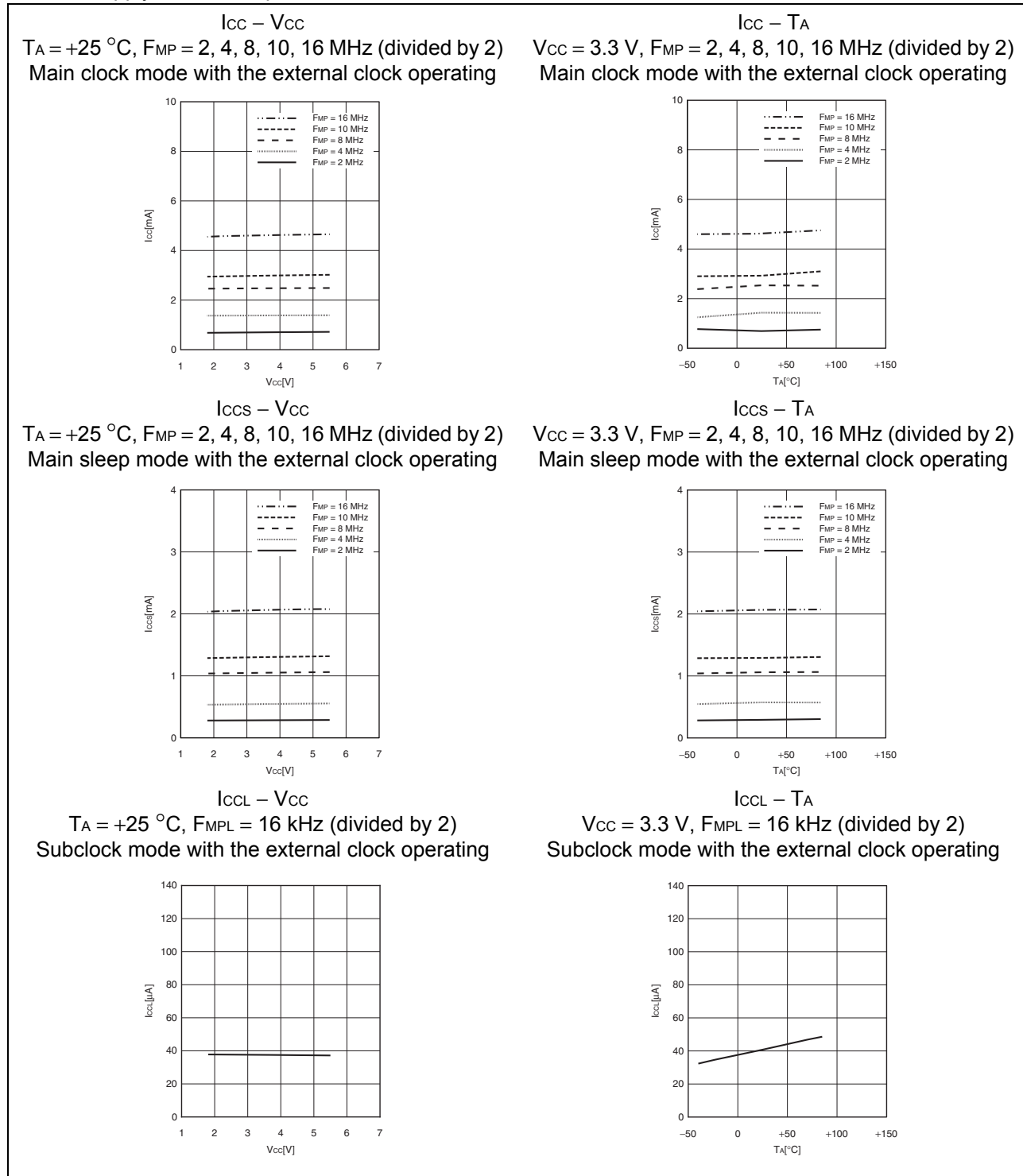
\*2: V<sub>CC</sub> = 1.8 V, T<sub>A</sub> = +85 °C, 100000 cycles

\*3: These values were converted from the result of a technology reliability assessment. (These values were converted from the result of a high temperature accelerated test using the Arrhenius equation with the average temperature being +85 °C.)



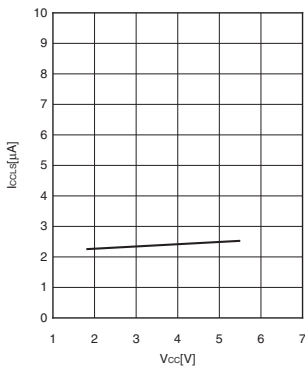
### 23. Sample Characteristics

- Power supply current temperature characteristics



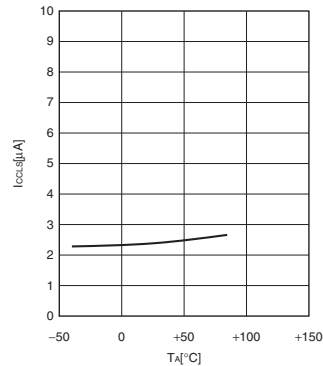
**ICCLS – VCC**

$T_A = +25\text{ }^\circ\text{C}$ ,  $F_{MPL} = 16\text{ kHz}$  (divided by 2)  
Subsleep mode with the external clock operating



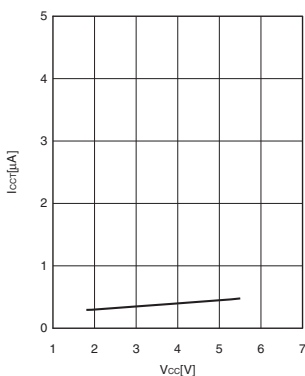
**ICCLS – TA**

$V_{CC} = 3.3\text{ V}$ ,  $F_{MPL} = 16\text{ kHz}$  (divided by 2)  
Subsleep mode with the external clock operating



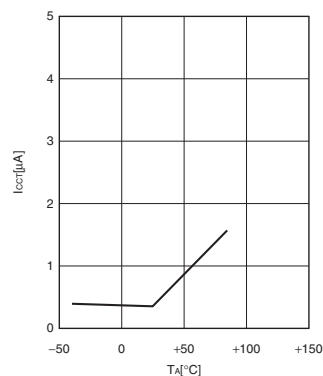
**ICCT – VCC**

$T_A = +25\text{ }^\circ\text{C}$ ,  $F_{MPL} = 16\text{ kHz}$  (divided by 2)  
Watch mode with the external clock operating



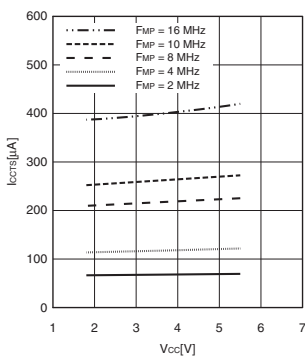
**ICCT – TA**

$V_{CC} = 3.3\text{ V}$ ,  $F_{MPL} = 16\text{ kHz}$  (divided by 2)  
Watch mode with the external clock operating



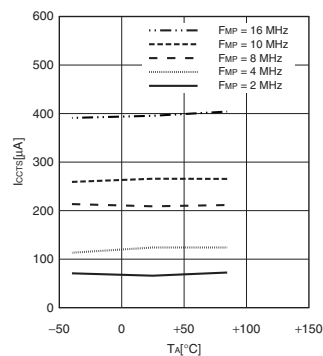
**ICCTS – VCC**

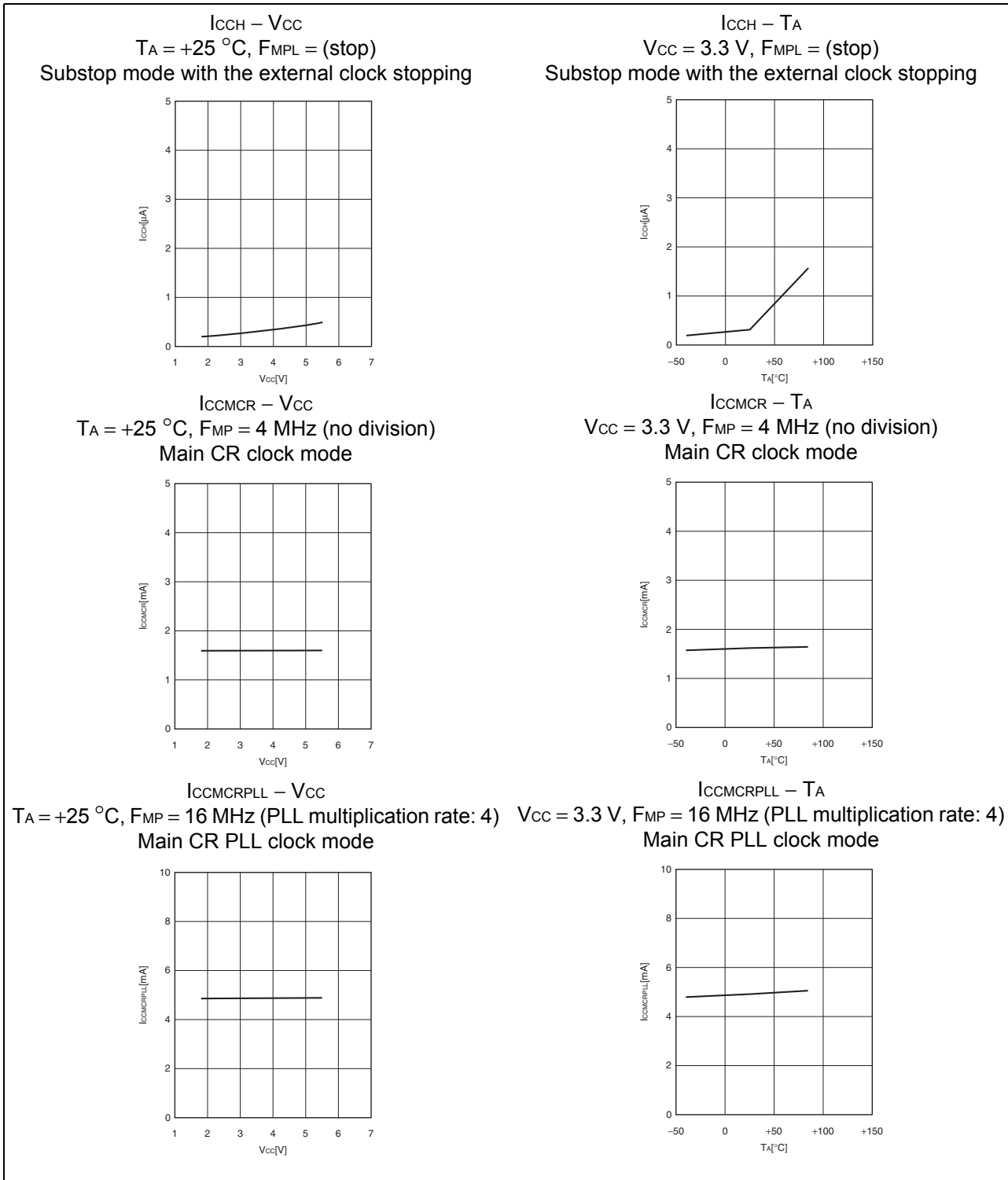
$T_A = +25\text{ }^\circ\text{C}$ ,  $F_{MP} = 2, 4, 8, 10, 16\text{ MHz}$  (divided by 2)  
Time-base timer mode with the external clock operating



**ICCTS – TA**

$V_{CC} = 3.3\text{ V}$ ,  $F_{MP} = 2, 4, 8, 10, 16\text{ MHz}$  (divided by 2)  
Time-base timer mode with the external clock operating



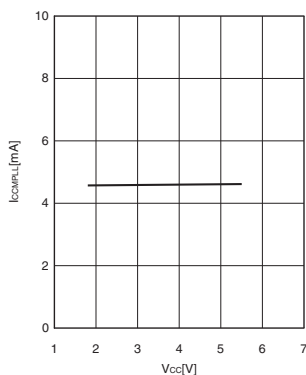


(Continued)

**ICCMPLL – V<sub>CC</sub>**

T<sub>A</sub> = +25 °C, F<sub>MP</sub> = 16 MHz (PLL multiplication rate: 4) V<sub>CC</sub> = 3.3 V, F<sub>MP</sub> = 16 MHz (PLL multiplication rate: 4)

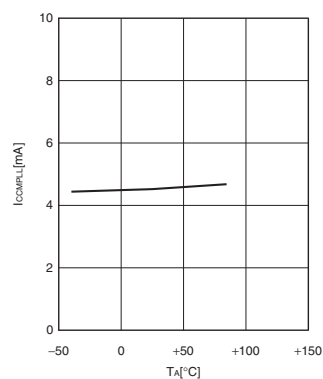
Main PLL clock mode



**ICCMPLL – T<sub>A</sub>**

T<sub>A</sub> = +25 °C, F<sub>MP</sub> = 16 MHz (PLL multiplication rate: 4) V<sub>CC</sub> = 3.3 V, F<sub>MP</sub> = 16 MHz (PLL multiplication rate: 4)

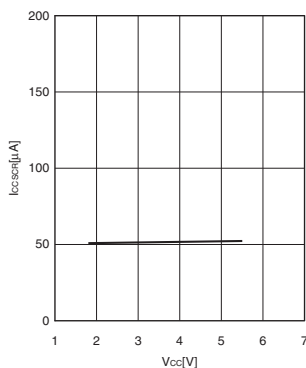
Main PLL clock mode



**ICCSER – V<sub>CC</sub>**

T<sub>A</sub> = +25 °C, F<sub>MPL</sub> = 50 kHz (divided by 2)

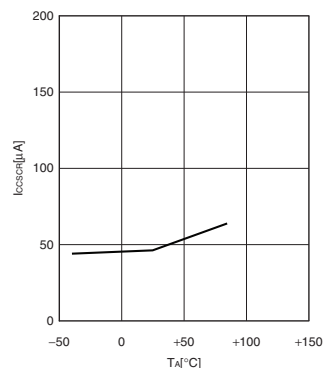
Sub-CR clock mode



**ICCSER – T<sub>A</sub>**

V<sub>CC</sub> = 3.3 V, F<sub>MPL</sub> = 50 kHz (divided by 2)

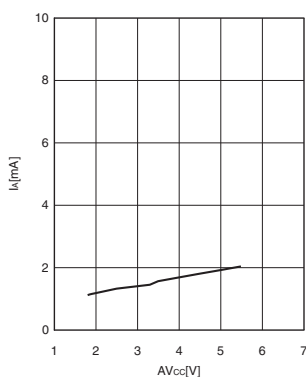
Sub-CR clock mode



**I<sub>A</sub> – AV<sub>CC</sub>**

T<sub>A</sub> = +25 °C, F<sub>MP</sub> = 16 MHz (divided by 2)

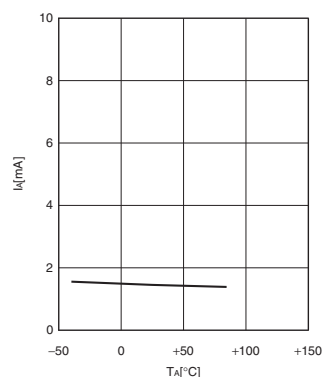
Main clock mode with the external clock operating



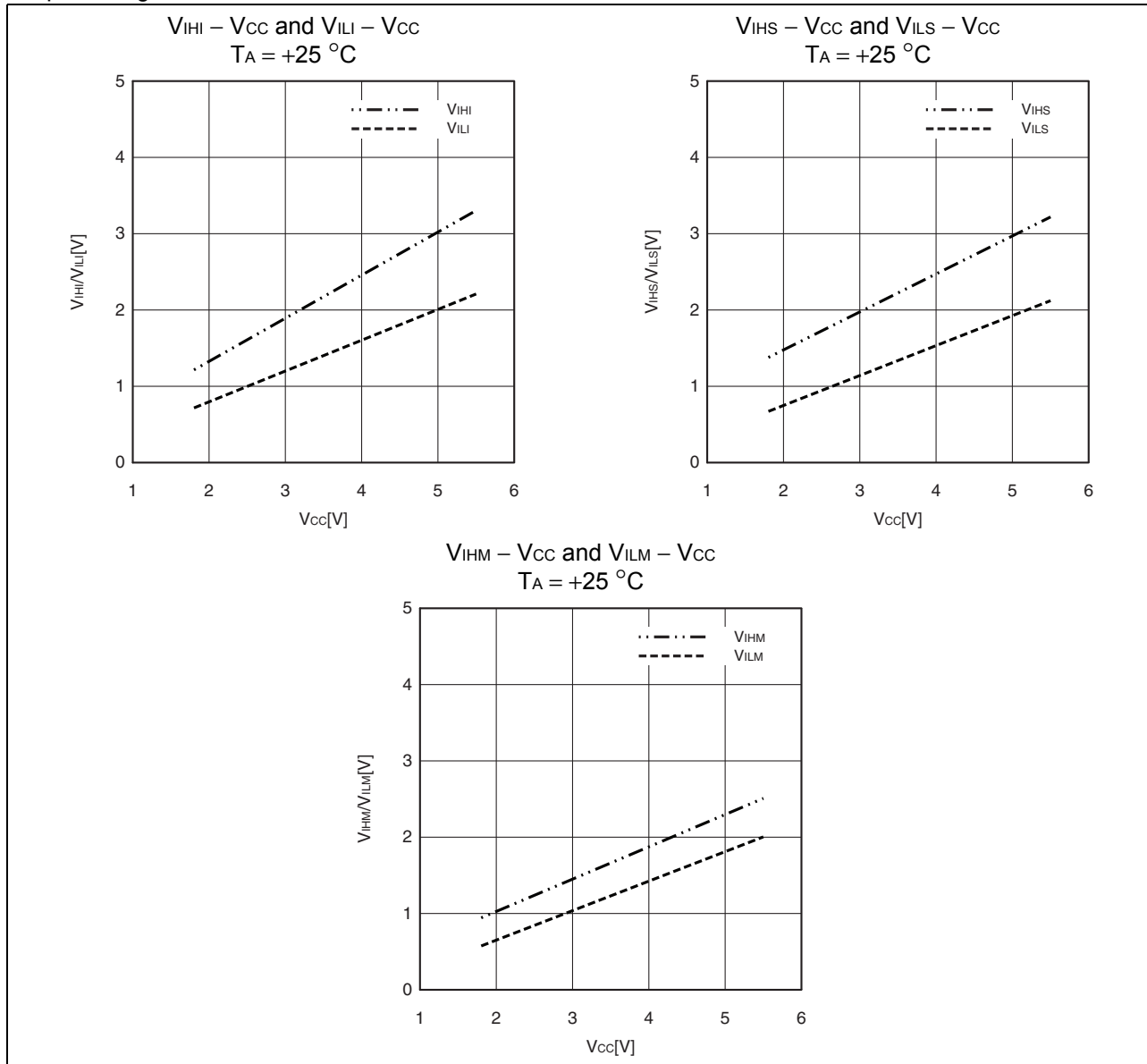
**I<sub>A</sub> – T<sub>A</sub>**

V<sub>CC</sub> = 3.3 V, F<sub>MP</sub> = 16 MHz (divided by 2)

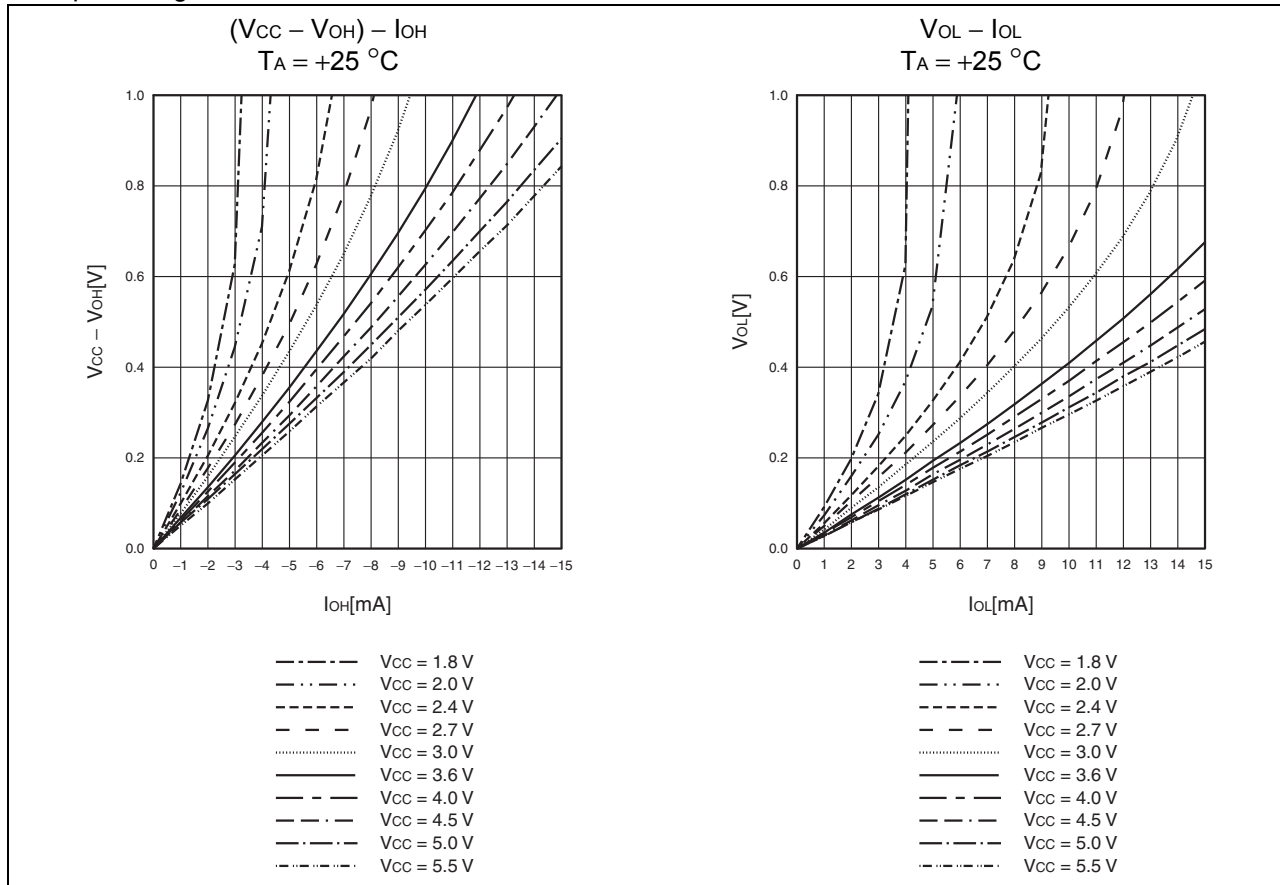
Main clock mode with the external clock operating



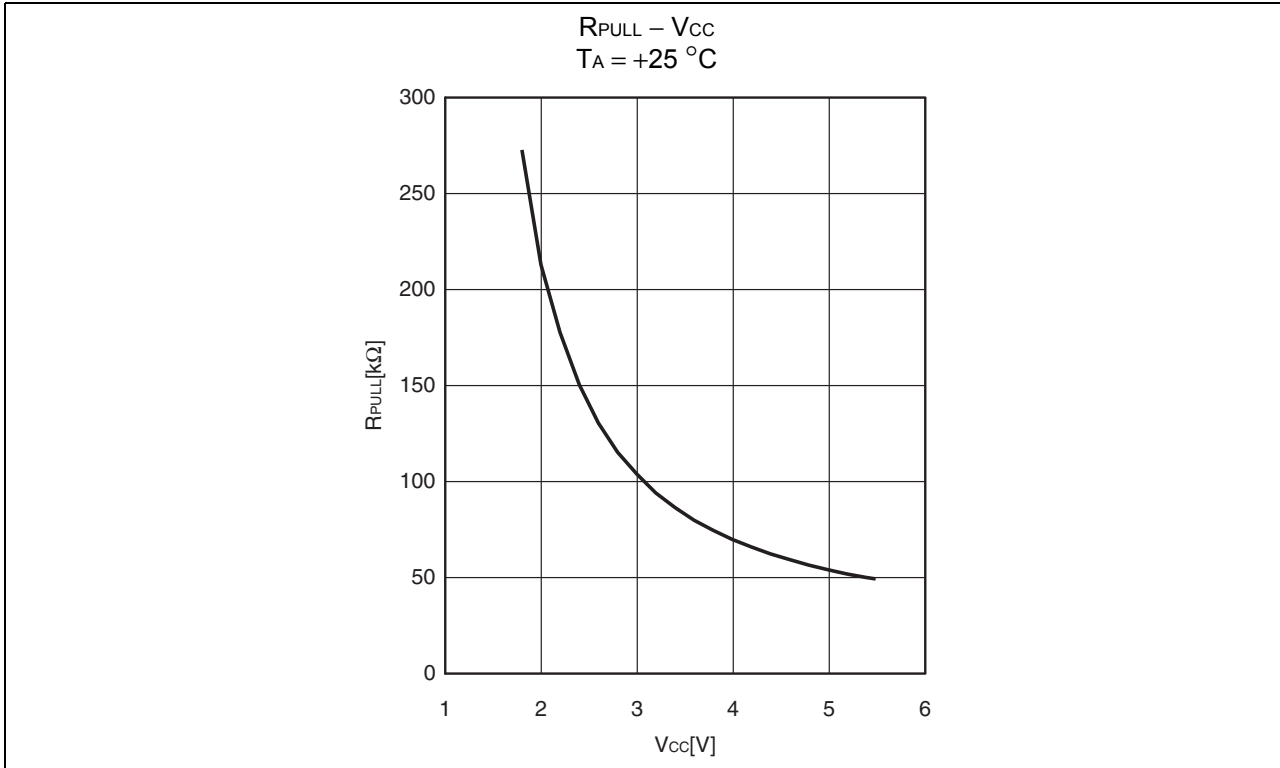
• Input voltage characteristics



• Output voltage characteristics



• Pull-up characteristics



**24. Mask Options**

No.	Part number	MB95F714J MB95F716J MB95F718J MB95F774J MB95F776J MB95F778J	MB95F714M MB95F716M MB95F718M MB95F774M MB95F776M MB95F778M
	Selectable/Fixed	Fixed	
1	Low-voltage detection reset	With low-voltage detection reset	Without low-voltage detection reset
2	Reset	Without dedicated reset input	With dedicated reset input

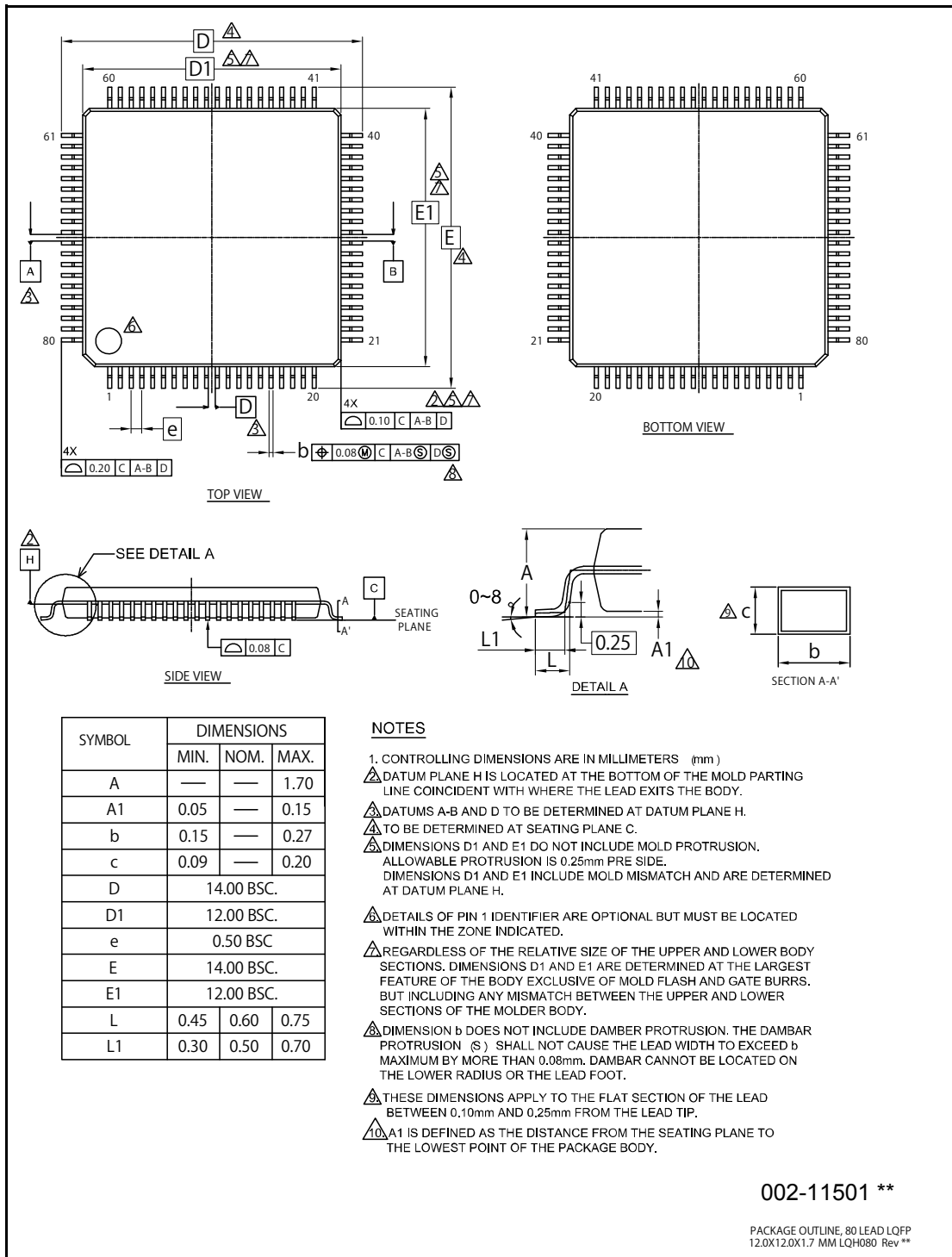
**25. Ordering Information**

Part number	Package
MB95F714JPMC-G-SNE2 MB95F714MPMC-G-SNE2 MB95F716JPMC-G-SNE2 MB95F716MPMC-G-SNE2 MB95F718JPMC-G-UNE2 MB95F718MPMC-G-SNE2	80-pin plastic LQFP (LQH080)
MB95F774JPMC1-G-SNE2 MB95F774MPMC1-G-SNE2 MB95F776JPMC1-G-SNE2 MB95F776MPMC1-G-SNE2 MB95F778JPMC1-G-SNE2 MB95F778MPMC1-G-SNE2	64-pin plastic LQFP (LQD064)
MB95F774JPMC2-G-SNE2 MB95F774MPMC2-G-SNE2 MB95F776JPMC2-G-SNE2 MB95F776MPMC2-G-SNE2 MB95F778JPMC2-G-UNE2 MB95F778MPMC2-G-SNE2	64-pin plastic LQFP (LQG064)

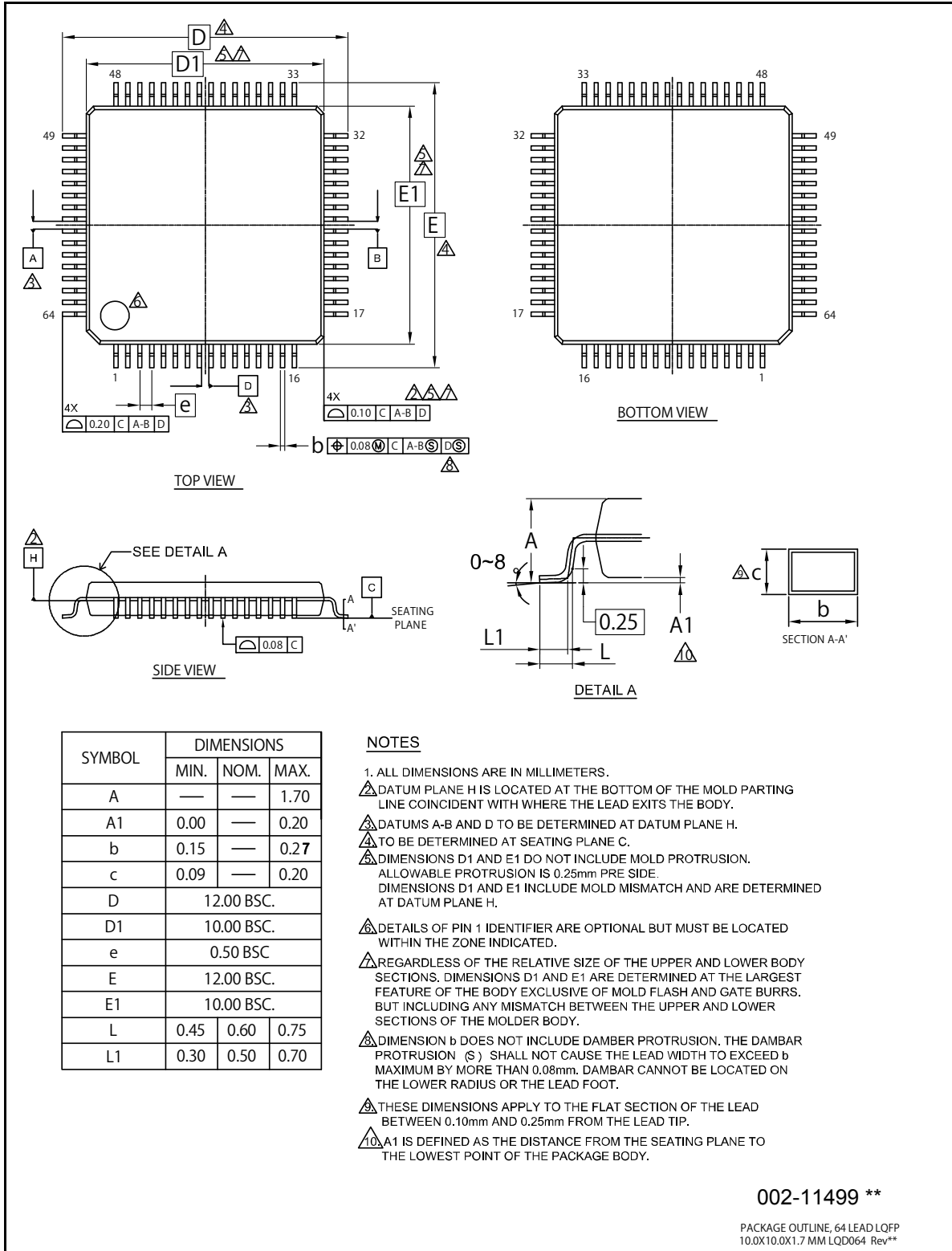


## 26. Package Dimension

Package Type	Package Code
LQFP 80	LQH 080



Package Type	Package Code
LQFP 64	LQD 064

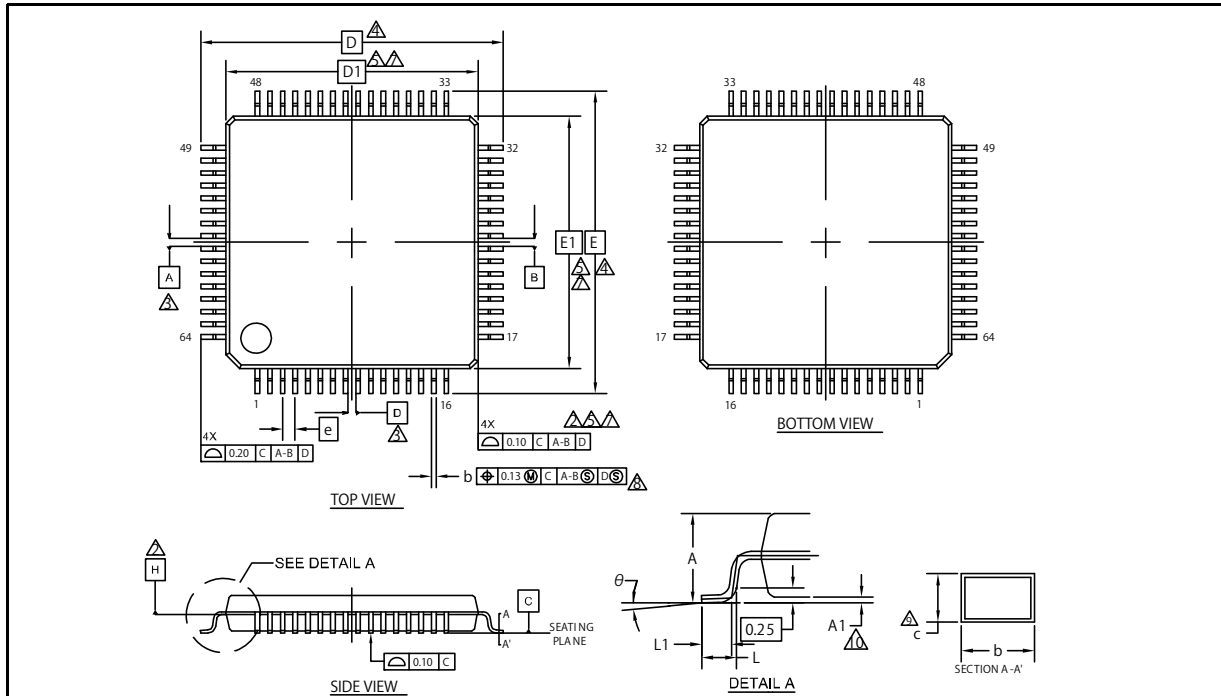


SYMBOL	DIMENSIONS		
	MIN.	NOM.	MAX.
A	—	—	1.70
A1	0.00	—	0.20
b	0.15	—	0.27
c	0.09	—	0.20
D	12.00 BSC.		
D1	10.00 BSC.		
e	0.50 BSC		
E	12.00 BSC.		
E1	10.00 BSC.		
L	0.45	0.60	0.75
L1	0.30	0.50	0.70

002-11499 \*\*

 PACKAGE OUTLINE, 64 LEAD LQFP  
 10.0X10.0X1.7 MM LQD064 Rev\*\*

Package Type	Package Code
LQFP 64	LQG 064



SYMBOL	DIMENSION		
	MIN.	NOM.	MAX.
A	—	—	1.70
A1	0.00	—	0.20
b	0.27	0.32	0.37
c	0.09	—	0.20
D	14.00 BSC		
D1	12.00 BSC		
e	0.65 BSC		
E	14.00 BSC		
E1	12.00 BSC		
L	0.45	0.60	0.75
L1	0.30	0.50	0.70
$\theta$	0°	—	8°

**NOTES**

1. ALL DIMENSIONS ARE IN MILLIMETERS.
1. DATUM PLANE H IS LOCATED AT THE BOTTOM OF THE MOLD PARTING LINE COINCIDENT WITH WHERE THE LEAD EXITS THE BODY.
2. DATUMS A-B AND D TO BE DETERMINED AT DATUM PLANE H.
3. TO BE DETERMINED AT SEATING PLANE C.
4. DIMENSIONS D1 AND E1 DO NOT INCLUDE MOLD PROTRUSION. ALLOWABLE PROTRUSION IS 0.25mm PRE SIDE. DIMENSIONS D1 AND E1 INCLUDE MOLD MISMATCH AND ARE DETERMINED AT DATUM PLANE H.
5. DETAILS OF PIN 1 IDENTIFIER ARE OPTIONAL BUT MUST BE LOCATED WITHIN THE ZONE INDICATED.
6. REGARDLESS OF THE RELATIVE SIZE OF THE UPPER AND LOWER BODY SECTIONS, DIMENSIONS D1 AND E1 ARE DETERMINED AT THE LARGEST FEATURE OF THE BODY EXCLUSIVE OF MOLD FLASH AND GATE BURRS, BUT INCLUDING ANY MISMATCH BETWEEN THE UPPER AND LOWER SECTIONS OF THE MOLDER BODY.
7. DIMENSION b DOES NOT INCLUDE DAMBAR PROTRUSION. THE DAMBAR PROTRUSION (S) SHALL NOT CAUSE THE LEAD WIDTH TO EXCEED b MAXIMUM BY MORE THAN 0.08mm. DAMBAR CANNOT BE LOCATED ON THE LOWER RADIUS OR THE LEAD FOOT.
8. THESE DIMENSIONS APPLY TO THE FLAT SECTION OF THE LEAD BETWEEN 0.10mm AND 0.25mm FROM THE LEAD TIP.
9. A1 IS DEFINED AS THE DISTANCE FROM THE SEATING PLANE TO THE LOWEST POINT OF THE PACKAGE BODY.

002-13881 \*\*

PACKAGE OUTLINE, 64 LEAD LOFP  
12.0X12.0X1.7 MM LQG064 REV\*\*

## Document History Page

Document Title: MB95710M Series, MB95770M Series, New 8FX 8-bit Microcontrollers Document Number: 002-09307				
Revision	ECN	Orig. of Change	Submission Date	Description of Change
**	-	YSKA	07/31/2013	Migrated Spansion DS702-00019-1v0-E to Cypress and assigned document number 002-09307. No change to document contents or format.
*A	5511943	YSKA	11/08/2016	Updated to Cypress template
*B	5633448	HTER	03/07/2017	Changed the package codes as the following from "FPT-80P-M37" to "LQH080" from "FPT-64P-M38" to "LQD064" from "FPT-64P-M39" to "LQG064" in chapter: 1.Product Line-up (Page 6, 9) 2.Packages And Corresponding Products (Page 9) 4.Pin Assignment (Page 11 to 12) 25.Ordering Information (Page 167) 26.Package Dimensions (Page 168 to 170).  Changed the Part numbers from "MB95F778JPMC2-G-SNE2" to "MB95F778JPMC2-G-UNE2" in chapter 25.Ordering Information (Page 167).
*C	5772061	YSAT	06/15/2017	Adapted new Cypress logo
*D	5900838	HUAL	09/29/2017	Modified from "MB95F718JPMC-G-SNE2" to "MB95F718JPMC-G-UNE2" in 25.Ordering Information (Page 167).

## Sales, Solutions, and Legal Information

### Worldwide Sales and Design Support

Cypress maintains a worldwide network of offices, solution centers, manufacturer's representatives, and distributors. To find the office closest to you, visit us at [Cypress Locations](#).

#### Products

ARM® Cortex® Microcontrollers	<a href="http://cypress.com/arm">cypress.com/arm</a>
Automotive	<a href="http://cypress.com/automotive">cypress.com/automotive</a>
Clocks & Buffers	<a href="http://cypress.com/clocks">cypress.com/clocks</a>
Interface	<a href="http://cypress.com/interface">cypress.com/interface</a>
Internet of Things	<a href="http://cypress.com/iot">cypress.com/iot</a>
Memory	<a href="http://cypress.com/memory">cypress.com/memory</a>
Microcontrollers	<a href="http://cypress.com/mcu">cypress.com/mcu</a>
PSoC	<a href="http://cypress.com/psoc">cypress.com/psoc</a>
Power Management ICs	<a href="http://cypress.com/pmic">cypress.com/pmic</a>
Touch Sensing	<a href="http://cypress.com/touch">cypress.com/touch</a>
USB Controllers	<a href="http://cypress.com/usb">cypress.com/usb</a>
Wireless/RF	<a href="http://cypress.com/wireless">cypress.com/wireless</a>

#### PSoC®Solutions

[PSoC 1](#) | [PSoC 3](#) | [PSoC 4](#) | [PSoC 5LP](#) | [PSoC 6](#)

#### Cypress Developer Community

[Forums](#) | [WICED IOT Forums](#) | [Projects](#) | [Video](#) | [Blogs](#) | [Training](#) | [Components](#)

#### Technical Support

[cypress.com/support](http://cypress.com/support)

All other trademarks or registered trademarks referenced herein are the property of their respective owners.

© Cypress Semiconductor Corporation, 2013-2017. This document is the property of Cypress Semiconductor Corporation and its subsidiaries, including Spanion LLC ("Cypress"). This document, including any software or firmware included or referenced in this document ("Software"), is owned by Cypress under the intellectual property laws and treaties of the United States and other countries worldwide. Cypress reserves all rights under such laws and treaties and does not, except as specifically stated in this paragraph, grant any license under its patents, copyrights, trademarks, or other intellectual property rights. If the Software is not accompanied by a license agreement and you do not otherwise have a written agreement with Cypress governing the use of the Software, then Cypress hereby grants you a personal, non-exclusive, nontransferable license (without the right to sublicense) (1) under its copyright rights in the Software (a) for Software provided in source code form, to modify and reproduce the Software solely for use with Cypress hardware products, only internally within your organization, and (b) to distribute the Software in binary code form externally to end users (either directly or indirectly through resellers and distributors), solely for use on Cypress hardware product units, and (2) under those claims of Cypress's patents that are infringed by the Software (as provided by Cypress, unmodified) to make, use, distribute, and import the Software solely for use with Cypress hardware products. Any other use, reproduction, modification, translation, or compilation of the Software is prohibited.

TO THE EXTENT PERMITTED BY APPLICABLE LAW, CYPRESS MAKES NO WARRANTY OF ANY KIND, EXPRESS OR IMPLIED, WITH REGARD TO THIS DOCUMENT OR ANY SOFTWARE OR ACCOMPANYING HARDWARE, INCLUDING, BUT NOT LIMITED TO, THE IMPLIED WARRANTIES OF MERCHANTABILITY AND FITNESS FOR A PARTICULAR PURPOSE. To the extent permitted by applicable law, Cypress reserves the right to make changes to this document without further notice. Cypress does not assume any liability arising out of the application or use of any product or circuit described in this document. Any information provided in this document, including any sample design information or programming code, is provided only for reference purposes. It is the responsibility of the user of this document to properly design, program, and test the functionality and safety of any application made of this information and any resulting product. Cypress products are not designed, intended, or authorized for use as critical components in systems designed or intended for the operation of weapons, weapons systems, nuclear installations, life-support devices or systems, other medical devices or systems (including resuscitation equipment and surgical implants), pollution control or hazardous substances management, or other uses where the failure of the device or system could cause personal injury, death, or property damage ("Unintended Uses"). A critical component is any component of a device or system whose failure to perform can be reasonably expected to cause the failure of the device or system, or to affect its safety or effectiveness. Cypress is not liable, in whole or in part, and you shall and hereby do release Cypress from any claim, damage, or other liability arising from or related to all Unintended Uses of Cypress products. You shall indemnify and hold Cypress harmless from and against all claims, costs, damages, and other liabilities, including claims for personal injury or death, arising from or related to any Unintended Uses of Cypress products.

Cypress, the Cypress logo, Spanion, the Spanion logo, and combinations thereof, WICED, PSoC, CapSense, EZ-USB, F-RAM, and Traveo are trademarks or registered trademarks of Cypress in the United States and other countries. For a more complete list of Cypress trademarks, visit [cypress.com](http://cypress.com). Other names and brands may be claimed as property of their respective owners.

Компания «Океан Электроники» предлагает заключение долгосрочных отношений при поставках импортных электронных компонентов на взаимовыгодных условиях!

Наши преимущества:

- Поставка оригинальных импортных электронных компонентов напрямую с производств Америки, Европы и Азии, а так же с крупнейших складов мира;
- Широкая линейка поставок активных и пассивных импортных электронных компонентов (более 30 млн. наименований);
- Поставка сложных, дефицитных, либо снятых с производства позиций;
- Оперативные сроки поставки под заказ (от 5 рабочих дней);
- Экспресс доставка в любую точку России;
- Помощь Конструкторского Отдела и консультации квалифицированных инженеров;
- Техническая поддержка проекта, помощь в подборе аналогов, поставка прототипов;
- Поставка электронных компонентов под контролем ВП;
- Система менеджмента качества сертифицирована по Международному стандарту ISO 9001;
- При необходимости вся продукция военного и аэрокосмического назначения проходит испытания и сертификацию в лаборатории (по согласованию с заказчиком);
- Поставка специализированных компонентов военного и аэрокосмического уровня качества (Xilinx, Altera, Analog Devices, Intersil, Interpoint, Microsemi, Actel, Aeroflex, Peregrine, VPT, Syfer, Eurofarad, Texas Instruments, MS Kennedy, Miteq, Cobham, E2V, MA-COM, Hittite, Mini-Circuits, General Dynamics и др.);

Компания «Океан Электроники» является официальным дистрибьютором и эксклюзивным представителем в России одного из крупнейших производителей разъемов военного и аэрокосмического назначения «JONHON», а так же официальным дистрибьютором и эксклюзивным представителем в России производителя высокотехнологичных и надежных решений для передачи СВЧ сигналов «FORSTAR».



## JONHON

«JONHON» (основан в 1970 г.)

Разъемы специального, военного и аэрокосмического назначения:

(Применяются в военной, авиационной, аэрокосмической, морской, железнодорожной, горно- и нефтедобывающей отраслях промышленности)

«FORSTAR» (основан в 1998 г.)

ВЧ соединители, коаксиальные кабели, кабельные сборки и микроволновые компоненты:

(Применяются в телекоммуникациях гражданского и специального назначения, в средствах связи, РЛС, а так же военной, авиационной и аэрокосмической отраслях промышленности).



Телефон: 8 (812) 309-75-97 (многоканальный)

Факс: 8 (812) 320-03-32

Электронная почта: [ocean@oceanchips.ru](mailto:ocean@oceanchips.ru)

Web: <http://oceanchips.ru/>

Адрес: 198099, г. Санкт-Петербург, ул. Калинина, д. 2, корп. 4, лит. А