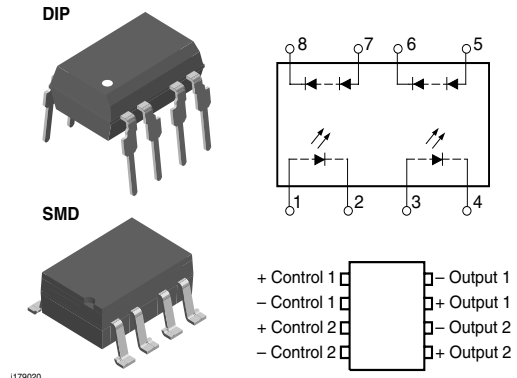


Dual Photovoltaic MOSFET Driver Solid State Relay

Features

- High Open Circuit Voltage
- High Short Circuit Current
- Isolation Test Voltage 5300 V_{RMS}
- Logic Compatible Input
- High Reliability
- Lead-free component
- Component in accordance to RoHS 2002/95/EC and WEEE 2002/96/EC



Agency Approvals

- UL1577, File No. E52744 System Code H or J, Double Protection
- BSI/BABT Cert. No. 7980
- DIN EN 60747-5-2 (VDE0884)
DIN EN 60747-5-5 pending
- FIMKO Approval

Applications

- High-side Driver
- Solid State Relays
- Floating Power Supply
- Power Control
- Data Acquisition
- ATE
- Isolated Switching
- See "Solid State Relays" (Application Note 56)

Description

The LH1262CB/CAC Photovoltaic MOSFET Driver consists of two LEDs optically coupled to two photodiode arrays. The photodiode array provides a floating source with adequate voltage and current to drive high-power MOSFET transistors. Optical coupling provides a high I/O Isolation voltage. In order to turn the MOSFET off, an external resistance (gate-to-source) is required for gate discharge.

Order Information

| Part | Remarks |
|-------------|----------------------|
| LH1262CAC | Tubes, SMD-8 |
| LH1262CACTR | Tape and Reel, SMD-8 |
| LH1262CB | Tubes, DIP-8 |

Absolute Maximum Ratings, $T_{amb} = 25\text{ }^{\circ}\text{C}$

Stresses in excess of the absolute Maximum Ratings can cause permanent damage to the device. Functional operation of the device is not implied at these or any other conditions in excess of those given in the operational sections of this document. Exposure to absolute Maximum Ratings for extended periods of time can adversely affect reliability.

SSR

| Parameter | Test condition | Symbol | Value | Unit |
|--|-----------------------------------|-----------|---------------|--------------------|
| LED input ratings continuous forward current | | I_F | 50 | mA |
| LED input ratings reverse voltage | $I_R \leq 10\text{ }\mu\text{A}$ | V_R | 5.0 | V |
| Photodiode array reverse voltage | $I_R \leq 2.0\text{ }\mu\text{A}$ | V_R | 100 | V |
| Ambient operating temperature range | | T_{amb} | - 40 to + 100 | $^{\circ}\text{C}$ |
| Storage temperature range | | T_{stg} | - 40 to + 150 | $^{\circ}\text{C}$ |
| Pin soldering time | $t = 7.0\text{ s max.}$ | T_S | 270 | $^{\circ}\text{C}$ |
| Input/output isolation voltage | $t = 60\text{ s min.}$ | V_{ISO} | 5300 | V_{RMS} |

Electrical Characteristics, $T_{amb} = 25\text{ }^{\circ}\text{C}$

Minimum and maximum values are testing requirements. Typical values are characteristics of the device and are the result of engineering evaluations. Typical values are for information only and are not part of the testing requirements.

| Parameter | Test condition | Symbol | Min | Typ. | Max | Unit |
|---|--------------------------------|--------------|------|------|------|---------------|
| LED forward voltage | $I_F = 10\text{ mA}$ | V_F | 1.15 | 1.26 | 1.45 | V |
| Detector forward voltage | $I_F = 10\text{ }\mu\text{A}$ | $V_{F(PDA)}$ | | 14 | | V |
| Detector reverse voltage | $I_R = 2.0\text{ }\mu\text{A}$ | $V_{R(PDA)}$ | | 200 | | V |
| Open circuit voltage (pins 5, 6 or 7, 8) | $I_F = 5.0\text{ mA}$ | V_{OC} | 10 | 12 | 15 | V |
| | $I_F = 10\text{ mA}$ | V_{OC} | | 13.1 | | V |
| | $I_F = 20\text{ mA}$ | V_{OC} | | 13.3 | | V |
| Short circuit current (pins 5, 6 or 7, 8) | $I_F = 5.0\text{ mA}$ | I_{SC} | 1.0 | 2.44 | 6.5 | μA |
| | $I_F = 10\text{ mA}$ | I_{SC} | 2.6 | 5.24 | 14 | μA |
| | $I_F = 20\text{ mA}$ | I_{SC} | | 10.8 | | μA |
| Turn-on time | $I_F = 20\text{ mA}^{1)}$ | t_{on} | | 35 | | μs |
| Turn-off time | $I_F = 20\text{ mA}^{1)}$ | t_{off} | | 90 | | μs |

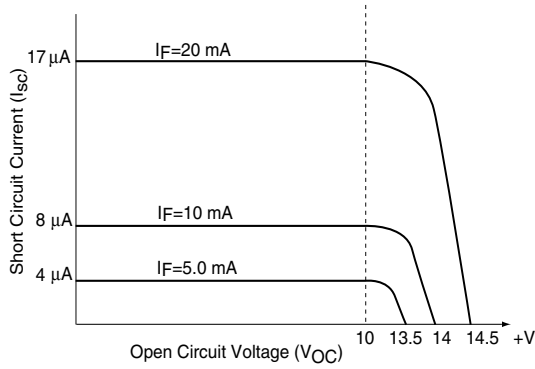
¹⁾ $f = 1.0\text{ kHz}$, pulse width = $100\text{ }\mu\text{s}$, load (R_L) = $1.0\text{ M}\Omega$, 15 pF ; measured at 90 % rated voltage (t_{on}), 10 % rated voltage (t_{off}). Actuation speed depends upon the external t_{on} and t_{off} circuitry and the capacitance of the MOSFET.

Functional Description

Figure 1 outlines the IV characteristics of the illuminated photodiode array (PDA). For operation at voltages below V_{OC} , the PDA acts as a nearly constant current source. The actual region of operation depends upon the load.

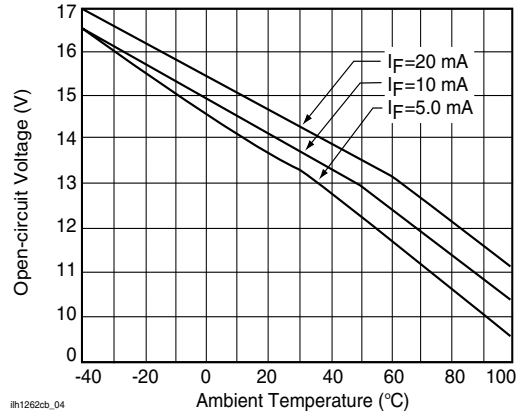
The amount of current applied to the LED (pins 1 and 2 or 3 and 4) determines the amount of light produced for the PDA. For high temperature operation, more LED current may be required.

Typical Characteristics (Tamb = 25 °C unless otherwise specified)



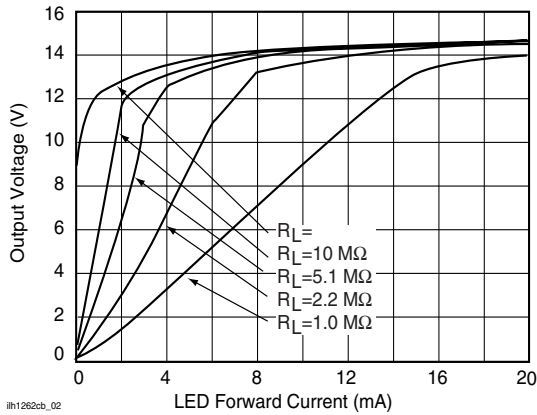
ih1262cb_01

Figure 1. Typical PDA ON Characteristics



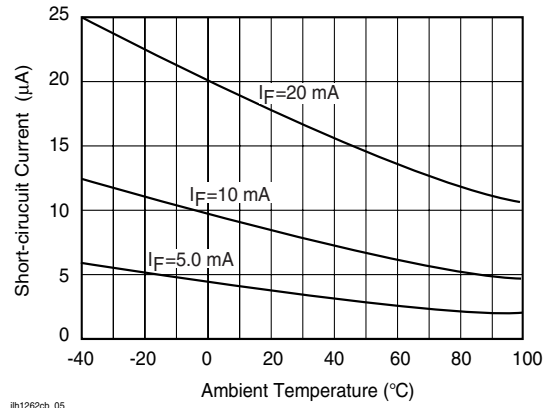
ih1262cb_04

Figure 4. Typical PDA ON Characteristics



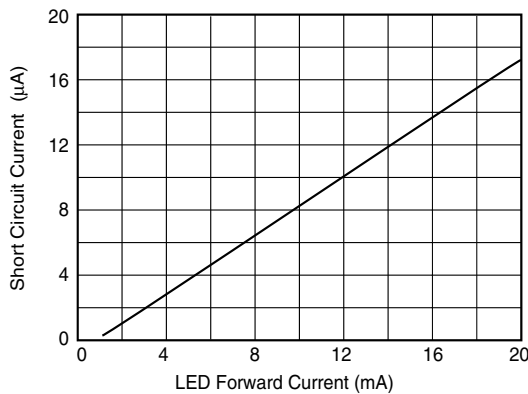
ih1262cb_02

Figure 2. Typical PDA ON Characteristics



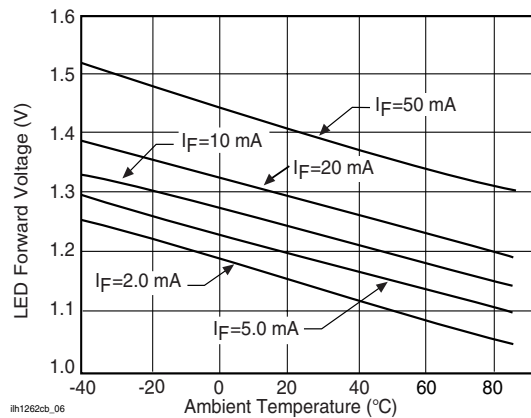
ih1262cb_05

Figure 5. Typical PDA ON Characteristics



ih1262cb_03

Figure 3. Typical PDA ON Characteristics



ih1262cb_06

Figure 6. Typical PDA ON Characteristics

Figure 7. Typical PDA ON Characteristics

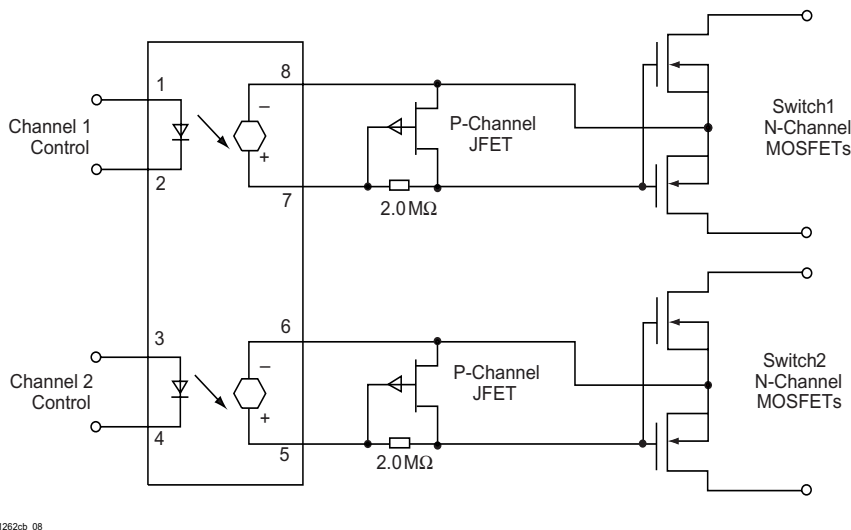
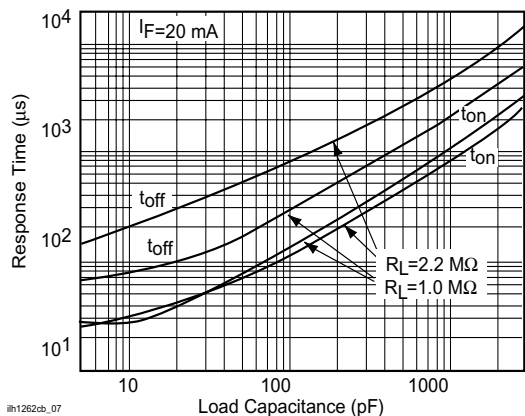
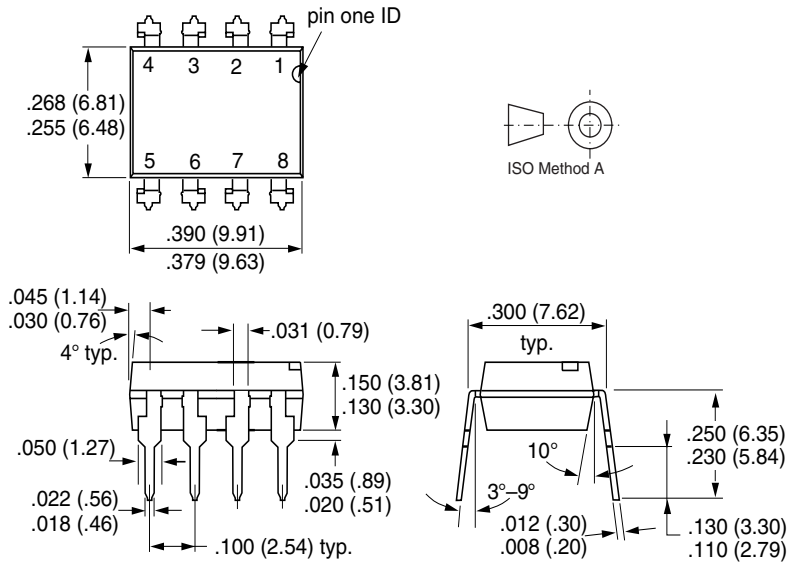


Figure 8. Typical Dual Form A Solid State Relay Application

Package Dimensions in Inches (mm)

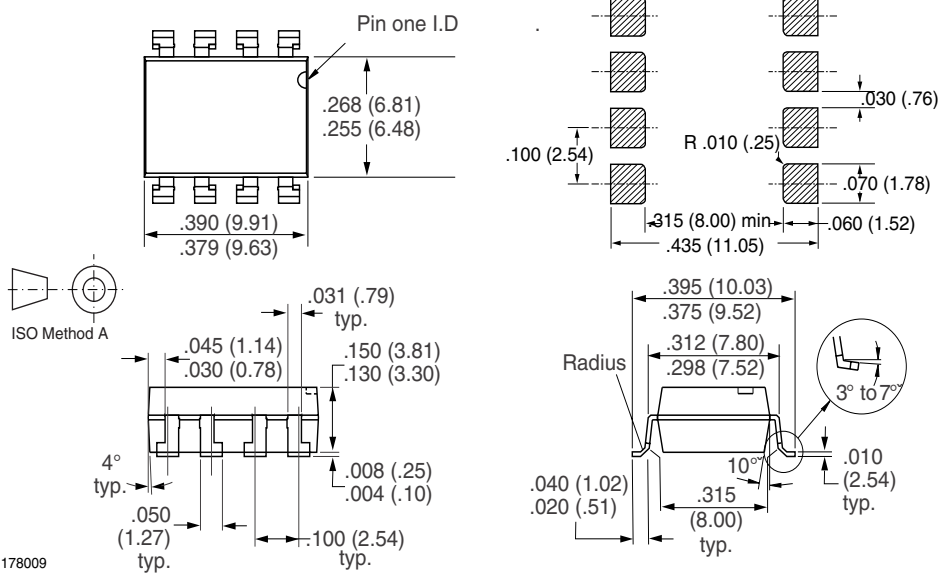
DIP



i178008

Package Dimensions in Inches (mm)

SMD



i178009

Ozone Depleting Substances Policy Statement

It is the policy of Vishay Semiconductor GmbH to

1. Meet all present and future national and international statutory requirements.
2. Regularly and continuously improve the performance of our products, processes, distribution and operating systems with respect to their impact on the health and safety of our employees and the public, as well as their impact on the environment.

It is particular concern to control or eliminate releases of those substances into the atmosphere which are known as ozone depleting substances (ODSs).

The Montreal Protocol (1987) and its London Amendments (1990) intend to severely restrict the use of ODSs and forbid their use within the next ten years. Various national and international initiatives are pressing for an earlier ban on these substances.

Vishay Semiconductor GmbH has been able to use its policy of continuous improvements to eliminate the use of ODSs listed in the following documents.

1. Annex A, B and list of transitional substances of the Montreal Protocol and the London Amendments respectively
2. Class I and II ozone depleting substances in the Clean Air Act Amendments of 1990 by the Environmental Protection Agency (EPA) in the USA
3. Council Decision 88/540/EEC and 91/690/EEC Annex A, B and C (transitional substances) respectively.

Vishay Semiconductor GmbH can certify that our semiconductors are not manufactured with ozone depleting substances and do not contain such substances.

We reserve the right to make changes to improve technical design
and may do so without further notice.

Parameters can vary in different applications. All operating parameters must be validated for each customer application by the customer. Should the buyer use Vishay Semiconductors products for any unintended or unauthorized application, the buyer shall indemnify Vishay Semiconductors against all claims, costs, damages, and expenses, arising out of, directly or indirectly, any claim of personal damage, injury or death associated with such unintended or unauthorized use.

Vishay Semiconductor GmbH, P.O.B. 3535, D-74025 Heilbronn, Germany
Telephone: 49 (0)7131 67 2831, Fax number: 49 (0)7131 67 2423

Компания «Океан Электроники» предлагает заключение долгосрочных отношений при поставках импортных электронных компонентов на взаимовыгодных условиях!

Наши преимущества:

- Поставка оригинальных импортных электронных компонентов напрямую с производств Америки, Европы и Азии, а так же с крупнейших складов мира;
- Широкая линейка поставок активных и пассивных импортных электронных компонентов (более 30 млн. наименований);
- Поставка сложных, дефицитных, либо снятых с производства позиций;
- Оперативные сроки поставки под заказ (от 5 рабочих дней);
- Экспресс доставка в любую точку России;
- Помощь Конструкторского Отдела и консультации квалифицированных инженеров;
- Техническая поддержка проекта, помощь в подборе аналогов, поставка прототипов;
- Поставка электронных компонентов под контролем ВП;
- Система менеджмента качества сертифицирована по Международному стандарту ISO 9001;
- При необходимости вся продукция военного и аэрокосмического назначения проходит испытания и сертификацию в лаборатории (по согласованию с заказчиком);
- Поставка специализированных компонентов военного и аэрокосмического уровня качества (Xilinx, Altera, Analog Devices, Intersil, Interpoint, Microsemi, Actel, Aeroflex, Peregrine, VPT, Syfer, Eurofarad, Texas Instruments, MS Kennedy, Miteq, Cobham, E2V, MA-COM, Hittite, Mini-Circuits, General Dynamics и др.);

Компания «Океан Электроники» является официальным дистрибьютором и эксклюзивным представителем в России одного из крупнейших производителей разъемов военного и аэрокосмического назначения «JONHON», а так же официальным дистрибьютором и эксклюзивным представителем в России производителя высокотехнологичных и надежных решений для передачи СВЧ сигналов «FORSTAR».



JONHON

«JONHON» (основан в 1970 г.)

Разъемы специального, военного и аэрокосмического назначения:

(Применяются в военной, авиационной, аэрокосмической, морской, железнодорожной, горно- и нефтедобывающей отраслях промышленности)

«FORSTAR» (основан в 1998 г.)

ВЧ соединители, коаксиальные кабели,
кабельные сборки и микроволновые компоненты:

(Применяются в телекоммуникациях гражданского и специального назначения, в средствах связи, РЛС, а так же военной, авиационной и аэрокосмической отраслях промышленности).



Телефон: 8 (812) 309-75-97 (многоканальный)

Факс: 8 (812) 320-03-32

Электронная почта: ocean@oceanchips.ru

Web: <http://oceanchips.ru/>

Адрес: 198099, г. Санкт-Петербург, ул. Калинина, д. 2, корп. 4, лит. А