

TLE4929C Crankshaft Sensor

Fully Programmable Crankshaft Sensor



Applications

The TLE4929C is an active Hall sensor ideally suited for crankshaft applications and similar industrial applications, such as speedometer or any speed-sensor with high accuracy and low jitter capabilities.

Features

- Differential Hall speed sensor to measure speed and position of tooth/pole wheels
- Switching point in middle of the tooth enables backward compatibility
- Robustness over magnetic stray-field due to differential sensing principle
- Digital output signal with programmable output-protocol including diagnosis interface
- Direction detection and Stop-Start-Algorithm
- High accuracy and low jitter
- High sensitivity enable large air gap
- End-of-line programmable to adapt engine parameters
- Can be used as a differential Camshaft sensor
- Automotive operating temperature range

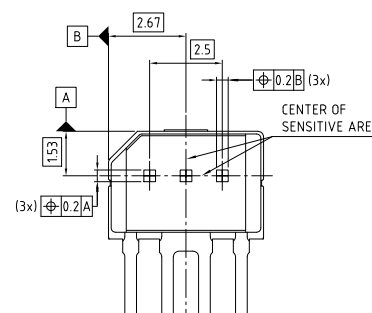
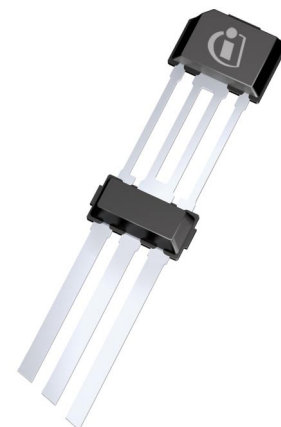


Figure 1 Typical Application Circuit

Description

The TLE4929C comes in a RoHs compliant three-pin package, qualified for automotive usage. It has two integrated capacitors on the lead frame (Figure 1). These capacitors increase the EMC resistivity of the device. A pull-up resistor R_{Load} is mandatory on the output pin and determines the maximum current flowing through the output transistor.

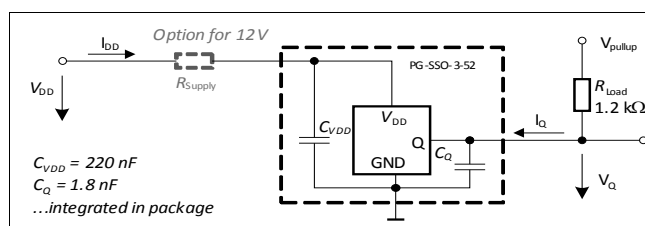


Table 1 Version

Type	Description	Marking	Ordering Code	Package
TLE4929C-XAN-M28	EEPROM preprogrammed and locked	29AIC0	SP001670330	PG-SSO-3-52
TLE4929C-XAF-M28	EEPROM unlocked	29AIC1	SP001671646	PG-SSO-3-52

General Characteristics

1 General Characteristics

1.1 Absolute Maximum Ratings

Table 2 Absolute Maximum Ratings

Parameter	Symbol	Values			Unit	Note or Test Condition
		Min.	Typ.	Max.		
Voltages						
Supply voltage without supply resistor	V_{DD}	-16	-	18	V	continuous, $T_J \leq 175^\circ\text{C}$
		-	-	27	V	max. 60s, $T_J \leq 175^\circ\text{C}$
		-18	-	-	V	max. 60s, $T_J \leq 175^\circ\text{C}$
Output OFF voltage	V_{Q_OFF}	-1.0	-	-	V	max. 1h, $T_{Amb} \leq 40^\circ\text{C}$
		-0.3	-	26.5	V	continuous, $T_J \leq 175^\circ\text{C}$
Output ON voltage	V_{Q_ON}	-	-	16	V	continuous, $T_{Amb} \leq 40^\circ\text{C}$
		-	-	18	V	max. 1 h, $T_{Amb} \leq 40^\circ\text{C}$
		-	-	26.5	V	max. 60 s, $T_{Amb} \leq 40^\circ\text{C}$
Temperatures						
Junction temperature range	T_J	-40	-	185	$^\circ\text{C}$	Exposure time: max. $10 \times 1 \text{ h}$, $V_{DD} = 16\text{V}$
Induction						
Magnetic field induction	$B_Z^{1)}$	-5	-	5	T	Magnetic pulse during magnet magnetization. Valid 10 s with $T_{ambient} \leq 80^\circ\text{C}$
ESD Resistivity						
ESD compliance	ESD_{HBM}	-6	-	6	kV	HBM ²⁾

1) Guaranteed by design

2) ESD susceptibility, HBM according to EIA/JESD 22-A114B

Note: Stresses above the max values listed here may cause permanent damage to the device. Exposure to absolute maximum rating conditions for extended periods may affect device reliability. Maximum ratings are absolute ratings; exceeding only one of these values may cause irreversible damage to the integrated circuit.

General Characteristics

1.2 Operating Range

All parameters specified in the following sections refer to these operating conditions unless otherwise specified.

Table 3 General Operating Conditions

Parameter	Symbol	Values			Unit	Note or Test Condition
		Min.	Typ.	Max.		
Voltages						
Supply voltage without supply resistance R_s	V_{DD}	4.0	-	16	V	
Continuous Output Off voltage	V_{Q_OFF}	-	-	16	V	
Supply voltage power- up/down voltage ramp	dV_{DD}/dt	3.0	-	1e4	V/ms	
Currents						
Supply current	I_{DD}	8.0	-	13.4	mA	
Continuous output On current	I_{Q_ON}		-	15	mA	$V_{Q_LOW} < 0.5 V$
Capacitance						
Capacitance between IC supply & ground pins	C_{VDD}	198	220	242	nF	
Output capacitance between IC output and ground pins	C_Q	1.62	1.8	1.98	nF	
Direction Detection						
Frequency range for direction detection	f_{Dir}	0	-	1800	Hz	For increasing rotational frequency
		0	-	1500	Hz	For decreasing rotational frequency
Programming						
Maximum No. of EEPROM programming cycles	N_{PROG}	-	-	100	n	
Magnetic Signal						
Magnetic signal frequency range	f	0	-	8000	Hz	Full accuracy
		8000	-	10000	Hz	10% degraded jitter
Dynamic range of the magnetic field of the differential speed channel	$DR_{mag_field_s}$	-120	-	120	mT	ADC-range
Dynamic range of the magnetic field of the direction channel	$DR_{mag_field_dir}$	-60	-	60	mT	ADC-range
Static range of the magnetic field of the outer Hall probes in back-bias configuration	$SR_{mag_field_s_bb}$	0	-	550	mT	No wheel in front of module / Offset-DAC-Compensation-range

General Characteristics

Table 3 General Operating Conditions (cont'd)

Parameter	Symbol	Values			Unit	Note or Test Condition
		Min.	Typ.	Max.		
Static range of the magnetic field of the outer Hall probes in magnetic encoder wheel configuration	$SR_{mag_field_s_pw}$	-10	-	10	mT	Static absolute offset for pole wheel / Offset-DAC-Compensation-range / independent from Bit "POLE_WHEEL"
Static range of the magnetic field of the center Hall probe	$SR_{mag_field_dir}$	-100	-	450	mT	No wheel in front of module / Center-Offset-DAC-Compensation-range
Allowed static difference between outer probes	$SR_{mag_field_diff}$	-30	-	30	mT	No wheel in front of module
Magnetic differential field amplitude for full performance on stop-start	$\Delta B_{Speed_Stop,Start}$	9	-	-	mTpk pk	No false pulses if a temperature drift of ≤ 60 K during stop-start state occurs.
		6	-	-	mTpk pk	No false pulses if a temperature drift of ≤ 40 K during stop-start state occurs.
		4	-	-	mTpk pk	No false pulses if a temperature drift of ≤ 20 K during stop-start state occurs.

Temperatures

Normal operating junction temperature	T_J	-40	-	175	°C	Exposure time: max. 2500 h at $T_J = 175^\circ\text{C}$, $V_{DD} = 16\text{ V}$
		-	-	185	°C	Exposure time: max. $10 \times 1\text{ h}$ at $T_J = 185^\circ\text{C}$, $V_{DD} = 16\text{ V}$, additive to other lifetime
Not operational lifetime	T_{no}	-40		150	°C	Without sensor function. Exposure time max 500 h @ 150°C ; increased time for lower temperatures according to Arrhenius-Model, additive to other lifetime
Ambient temperature range for device features reading and programming	T_{RDPROG}	15	25	130	°C	During programming at customer

General Characteristics

Table 3 **General Operating Conditions** (cont'd)

Parameter	Symbol	Values			Unit	Note or Test Condition
		Min.	Typ.	Max.		
Temperature variations between engine stop and restart.	$\Delta T_{\text{Stop,start}}$	–	–	60	°C	Device powered continuously
Temperature compensation range of magnetic material	TC	-1400	–	0	ppm	Internal compensation of magnetic signal amplitude of speed signal

Note: In the operating range the functions given in the functional description are fulfilled.

Electrical and Magnetic Characteristics

2 Electrical and Magnetic Characteristics

All values specified at constant amplitude and offset of input signal, over operating range, unless otherwise specified. Typical values correspond to $V_S = 5\text{ V}$ and $T_{Amb.} = 25^\circ\text{C}$

Table 4 Electrical and Magnetic Parameters

Parameter	Symbol	Values			Unit	Note or Test Condition
		Min.	Typ.	Max.		
Voltage						
Output saturation voltage	V_{Qsat}	-	-	500	mV	$I_Q \leq 15\text{ mA}$
Clamping voltage V_{DD} -Pin	V_{DD_clamp}	42	-	-	V	leakage current through ESD-diode $< 0.5\text{mA}$
Clamping voltage V_Q -Pin	V_{Qclamp}	42	-	-	V	leakage current through ESD-diode $< 0.5\text{mA}$
Reset voltage	V_{DD_reset}	-	-	3.6	V	
Current						
Output leakage current	I_{Qleak}	-	0.1	10	μA	$V_Q = 18\text{ V}$
Output current limit during short-circuit condition	I_{Qshort}	30	-	80	mA	
Temperature						
Junction temperature limit for output protection	T_{prot}	190	-	205	$^\circ\text{C}$	
Time and Frequency						
Power on time	t_{power_on}	0.8	0.9	1	ms	During this time the output is locked to high.
Delay time between magnetic signal switching point and corresponding output signal falling edge switching event	t_{delay}	10	14	19	μs	Falling edge
Output fall time	t_{fall}	2.0	2.5	3.0	μs	$V_{Pullup} = 5\text{ V}$, $R_{Pullup} = 1.2\text{ k}\Omega$ (+/-10%), $C_Q = 1.8\text{ nF}$ (+/-15%), valid between 80% - 20%
		3.2	4.5	5.8	μs	$V_{Pullup} = 5\text{ V}$, $R_{Pullup} = 1.2\text{ k}\Omega$ (+/-10%), $C_Q = 1.8\text{ nF}$ (+/-15%), valid between 90% - 10%
Output rise time	$t_{rise}^{1)2)}$	4	-	11.4	μs	$R_{Pullup} = 1.2\text{ k}\Omega$ (+/-10%), $C_Q = 1.8\text{ nF}$ (+/-15%), valid between 10% - 90%

Minimum Field Change during Start up to generate Output Switching

Electrical and Magnetic Characteristics

Table 4 Electrical and Magnetic Parameters (cont'd)

Parameter	Symbol	Values			Unit	Note or Test Condition
		Min.	Typ.	Max.		
Digital noise constant of speed channel during start up (change in differential field)	DNC_{min}	0.53	0.75	0.97	mTpkpk	EEPROM "DNC_MIN": Option 00 ³⁾
		1.22	1.5	1.78	mTpkpk	EEPROM "DNC_MIN": Option 01
		2.14	2.5	2.86	mTpkpk	EEPROM "DNC_MIN": Option 10
		4.44	5	5.56	mTpkpk	EEPROM "DNC_MIN": Option 11

Hysteresis Of Switching Threshold

Minimum hysteresis threshold of speed channel	HYS_{min}	0.53	0.75	0.97	mTpkpk	EEPROM "HYST": Option 0 ³⁾
		1.22	1.5	1.78	mTpkpk	EEPROM "HYST": Option 1
Adaptive hysteresis threshold of speed channel	$HYS_{adaptive}$	-	25	-	%	EEPROM "HYST_ADAPT": Option 0
		-	31.25	-	%	EEPROM "HYST_ADAPT": Option 1
Switching level offset	SwitchOff set,Error	-350	-	350	μ T	For magnetic speed signal = 10 mTpkpk : resulting in phase error / duty cycle error.

Accuracy and Repeatability

Repeatability (Jitter)	Jitter ⁴⁾	-	-	0.015	$^{\circ}$ Crank	3 sigma, $\Delta B_{pkpk} = 20mTpkpk$
		-	-	0.025	$^{\circ}$ Crank	3 sigma, $\Delta B_{pkpk} = 9mTpkpk$, measured on coil using sinus signal, $T_a=150^{\circ}C$, $f=8kHz$
Number of wrong pulses at start-up	nStart ⁵⁾	-	-	0	n	Engine starts in continuous forward rotational direction
		0	-	1	n	Engine starts in continuous backward rotational direction
Number of wrong pulses after stop-start	nStop, start ⁵⁾	-	-	0	n	Multiple rotational direction changes > 6 $^{\circ}$ Crank allowed
Maximum phase error	Phirunning ⁴⁾	-0.2	-	0.2	$^{\circ}$ Crank	$\Delta B_{Speed} > 9mTpkpk$,signature excluded, accuracy on mentioned wheel in Figure 2
Maximum phase error after stop-start	Phistop, start ⁴⁾	-1.7	-	3.2	$^{\circ}$ Crank	Reduced phase accuracy only for first pulse after stop-start-state

Run Out Capabilities

Global run out (speed and direction channel)	Runoutglobal ⁵⁾	1.0	-	1.67	-	Ratio = Amplitude(max)pkpk / Amplitude(min)pkpk
		1.0	-	2.5	-	Ratio = Amplitude(max)pkpk / Amplitude(min)pkpk . Reduced performance in Stop-Start-behavior.

Electrical and Magnetic Characteristics

Table 4 Electrical and Magnetic Parameters (cont'd)

Parameter	Symbol	Values			Unit	Note or Test Condition
		Min.	Typ.	Max.		
Magnetic overshoot of signature region in speed signal. Magnetic overshoot from tooth to tooth (polepair to polepair)	Runouttooth, tooth ⁵⁾	0.8	1.2	1.6	-	Ratio = Amplitude(signature) / Amplitude(before/after). Valid for toothed target wheel.
		0.7	1.4	2.5	-	Ratio = Amplitude(signature) / Amplitude(before/after). Valid for magnetic target wheel.

Output Protocol Variants

Crankshaft without direction detection: Output follows profile of target wheel	-	-	-	-	-	Output "Q" changes state ("LOW" or "HIGH") in the middle of the tooth / middle of the notch
Standard crankshaft protocol with direction	t_{fwd}	38	45	52	μs	VPullup = 5 V, $R_{pullup} = 1.2 \text{ k}\Omega$ (+/- 10%), $C_Q = 1.8 \text{ nF}$ (+/- 15%), valid between 50% of falling edge to 50% of next rising edge
	t_{bwd}	76	90	104	μs	
Optional crankshaft protocol with direction	t_{fwd}	38	45	52	μs	
	t_{bwd}	113	135	157	μs	

- 1) Value of capacitor: 1.8 nF±10%; ceramic: X8R; maximum voltage: 50 V
- 2) Application parameter, IC does not increase the rise time (max. value), Values are calculated and not tested
- 3) Smallest setting is not recommended for harsh environment: long tooth, long notch, vibration, run-out of target-wheel.
- 4) Parameter not subject to productive test. Verified by characterization in the laboratory based on jitter-measurement > 1000 falling edges.
- 5) Parameter not subject to productive test. Verified by laboratory characterization / design.

Note: The listed Electrical and magnetic characteristics are ensured over the operating range of the integrated circuit. Typical characteristics specify mean values expected over the production spread. If not other specified, typical characteristics apply at $T_{Amb} = 25^\circ\text{C}$ and $V_S = 5 \text{ V}$.

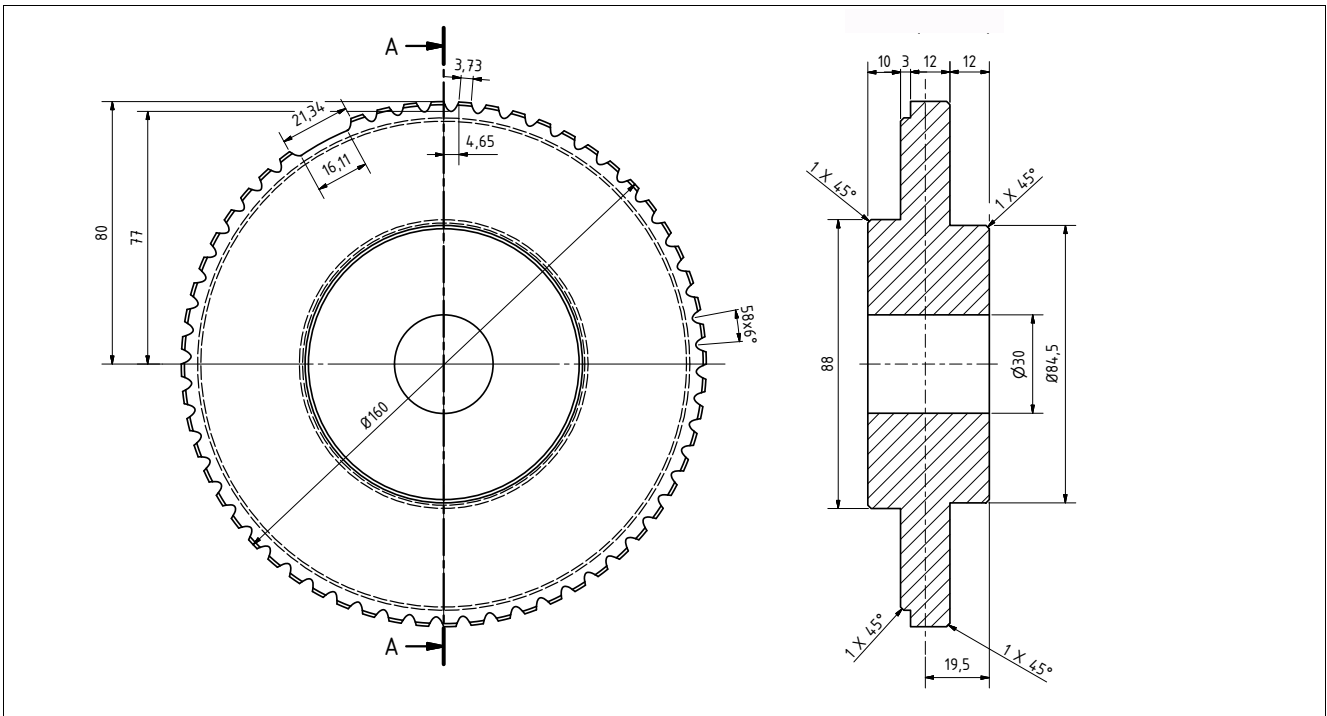


Figure 2 OEM-crankshaft wheel (outer diameter = 160mm)

Functional Description

3 Functional Description

3.1 Definition of the Magnetic Field Direction

The magnetic field of a permanent magnet exits from the north pole and enters the south pole. If a north pole is attached to the backside of the High End Crankshaft Sensor, the field at the sensor position is positive, as shown in **Figure 3**.

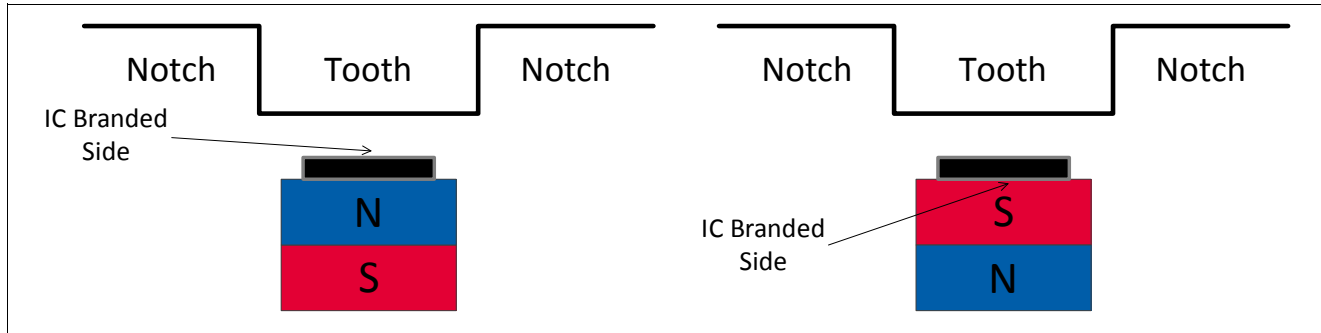


Figure 3 Definition of the Positive Magnetic Field Direction

3.2 Block Diagram

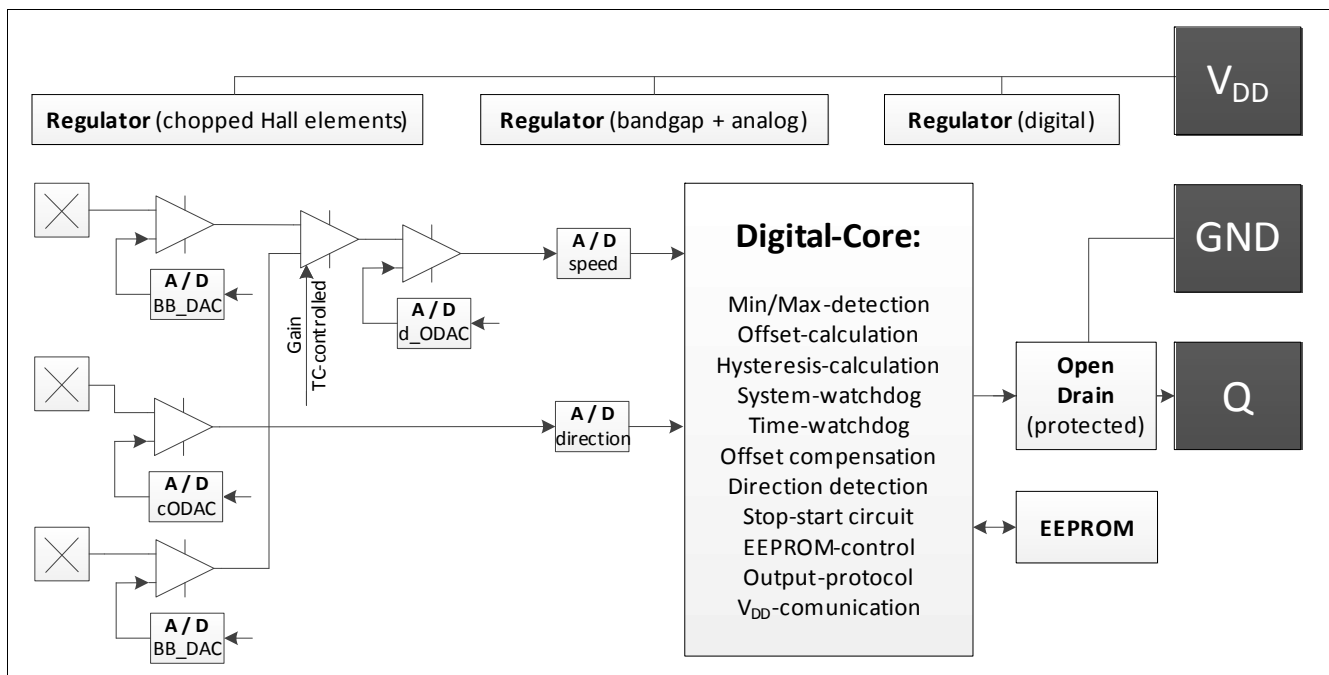


Figure 4 Block Diagram

3.3 Basic Operation

The basic operation of the TLE4929C is to transpose the magnetic field produced by a spinning target wheel into speed pulses with directional information at the output pin. The pulse width indicates forward or backward direction information and can be adjusted in EEPROM-options. It is also possible to parameterize output switching without direction information like it is requested for differential CAM-shaft sensors. The correspondence between field polarity and output polarity can be set according to the application needs as

Functional Description

well. By definition a magnetic field is considered as positive if the magnetic North Pole is placed at the rear side of the sensor, see [Figure 3](#).

For understanding the operation four different phases have to be considered:

- Power-on phase
 - starts after supply release
 - lasts $t_{\text{power-on}}$ (power-on time)
 - IC loads configuration and settings from EEPROM and initializes state machines and signal path
 - output is locked HIGH
- Initial phase ([Figure 5](#) "uncalibrated mode")
 - starts after Power-on phase
 - lasts one clock cycle
 - IC enables output switching, extrema detection and threshold adaption
- Calibration phase 1 ([Figure 5](#) "calibrated mode")
 - starts after Initial phase
 - lasts until the sensor has observed 3 magnetic edges (maximum 4 magnetic edges) and is able to perform the most likely final threshold update needed for transition to "Calibration Phase 2".
 - IC performs fast adaptation of the threshold according to the application magnetic field
 - initial and second switching (uncalibrated mode) of the output is performed according to the detected field change of the differential magnetic field
 - length of the output-pulse is derived from the center Hall probe (direction signal) sampled at the zero-crossing of the differential outer Hall probes (speed signal)
 - length of the very first pulse is "forward-pulse" according to chosen protocol in EEPROM (direction information is not valid at this time)
- Calibration phase 2
 - starts after "Calibration Phase 1"
 - lasts until the sensor has reached final offset-calibration which is minimum 5 teeth / maximum 64 teeth (pole-pairs) according to chosen algorithm in EEPROM
 - IC performs slow and accurate adaptation of the threshold according to the application magnetic field
 - output switching (calibrated mode) is performed according to magnetic zero-crossing of the differential magnetic field
 - length of the output-pulse is derived from the center Hall probe (direction signal) sampled at the zero-crossing of the differential outer Hall probes (speed signal)
- Running phase
 - starts after "Calibration Phase 2"
 - lasts indefinitely if no special condition is triggered (see [Chapter 3.7](#))
 - performs a filter algorithm in order to maintain superior phase accuracy and improved jitter
 - output switches according to the threshold value, according to the hidden hysteresis algorithm and according to the chosen output-protocol

Functional Description

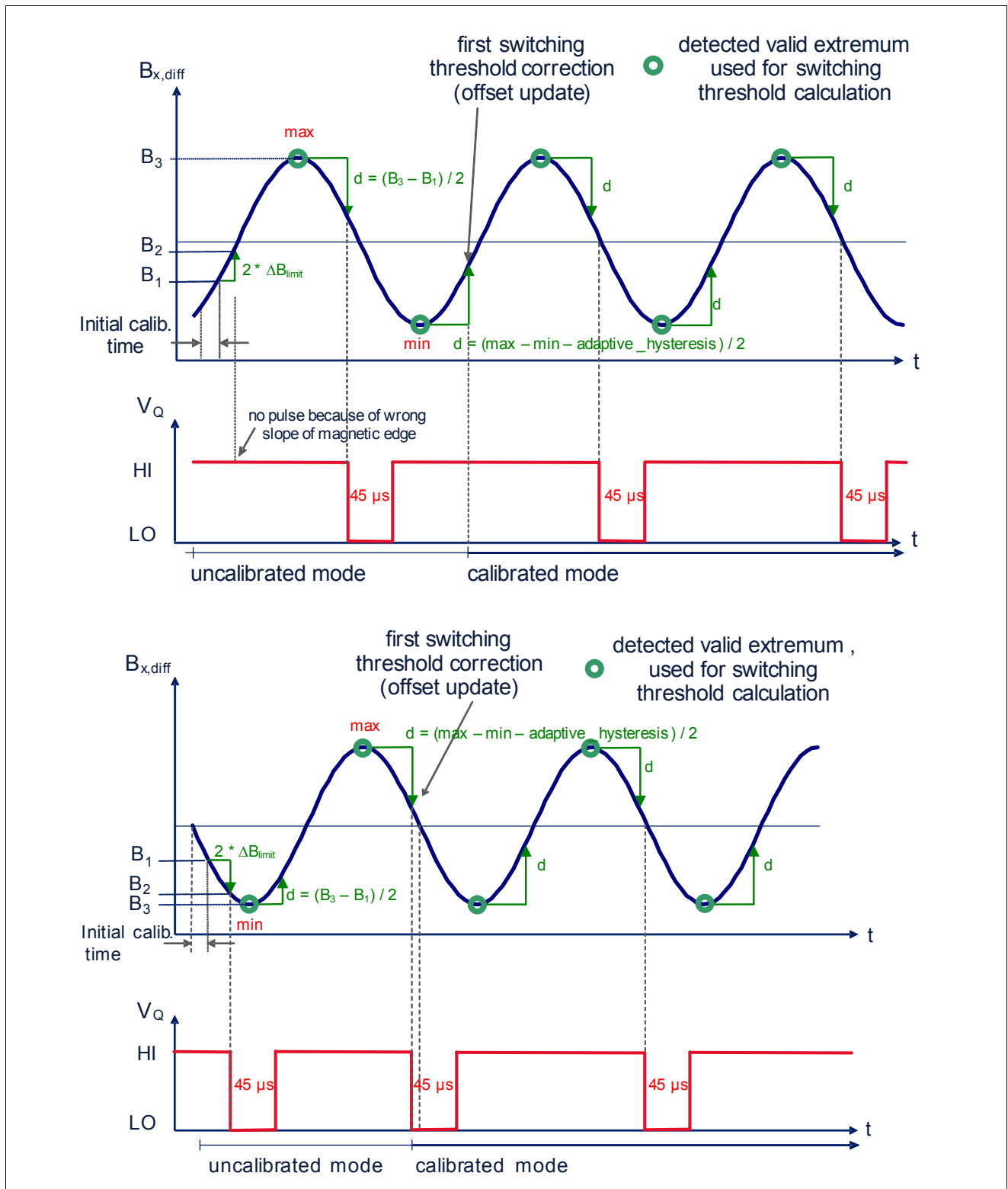


Figure 5 Operating Phases - Power-on to Running Phase

Functional Description

3.3.1 Power-on Phase

The operation in Power-on Phase is to refresh the trimming coefficients and algorithm settings from the EEPROM and to allow the signal path to stabilize.

If an unrecoverable error is found at EEPROM refresh, the output will remain locked HIGH during the entire operation.

3.3.2 Initial Phase

The magnetic field is measured by three chopped Hall probes. From the outer Hall probes located at a distance of 2.5mm a differential magnetic field is measured which is named “speed” in this datasheet. From the center Hall probe the “direction” signal is derived. Both signals are converted to a digital value via an ADC.

3.3.3 Calibration Phase

The adaptation of the threshold to the magnetic field is performed in Calibration Phase. This adaptation is done based on the field values set by teeth and notches (or based on poles on the pole wheel). These variations in the magnetic field are followed by a local extrema detection state machine in the IC. During Calibration Phase the IC permanently monitors the magnetic signal. First and second switching is performed when the speed-path recognized a certain change of magnetic field and the polarity meets the switching criterion derived from the EEPROM. The third and further pulse of the output is performed at “zero-crossing” of the speed path. “Zero crossing” is the 50%-value between detected minimum and detected maximum - also known as “offset”.

3.3.4 Running Phase

According to the chosen algorithm in EEPROM an average of 5 to 58 pulses is used to do an offset-calculation and an offset-update.

The following rules have to be verified before applying a computed update to the threshold register:

- Compatibility between threshold update sign and magnetic edge
- Threshold update has to be large enough in order not to be discarded (minimum_update)
- Threshold update is limited to a maximum value based on field amplitude but also based on comparison with absolute field value (maximum_update)
- Computed threshold update is always halved before being applied
- Threshold update is filtered in order to discourage consecutive updates in opposite direction (consecutive_upd_req)

Typically the offset is updated after one complete revolution of the target wheel which is effectively 58 teeth.

Table 5 Available offset update algorithm to be chosen in EEPROM

Parameter	Symbol	Values			Unit	Note or Test Condition
		Min.	Typ.	Max.		
Offset update algorithm	58 teeth	-	58	-	-	one revolution of a 60-2 target
	32 teeth	-	32	-	-	one revolution of a 32-teeth /pole-pair target
	5 times the same sign for offset-update	5	-	-	-	suggested for wheels with different number of teeth or for large run-out.

Functional Description

3.3.5 Averaging Algorithm

To calculate the threshold within the Running Phase, valid maxima and minima are averaged to reduce possible offset-updates. Each offset-update gives an increased jitter which has to be avoided.

3.3.6 Direction Detection

Direction is calculated from the amplitude-value of direction-signal sampled at zero-crossing of speed-channel. For each pole-pair or pair of tooth and notch two digital values are generated for detecting the direction. Subtracting the second value from the first value the direction is determined by its sign. According to EEPROM-setting a positive sign is direction forward or direction backward. Negative sign of direction-difference the opposite

Table 6 EEPROM-options for polarity and direction

EEPROM EDGE_POLAR	EEPROM FORWARD_DE F	Function
0	0	Forward-pulse is issued when wheel rotates from pin 1 to pin 3. Falling edge of output-pulse occurs at middle of the notch.
0	1	Forward-pulse is issued when wheel rotates from pin 3 to pin 1. Falling edge of output-pulse occurs at middle of the tooth. (as in TLE4929C-XAN-M28)
1	0	Forward-pulse is issued when wheel rotates from pin 1 to pin 3. Falling edge of output-pulse occurs at middle of the tooth.
1	1	Forward-pulse is issued when wheel rotates from pin 3 to pin 1. Falling edge of output-pulse occurs at middle of the notch.

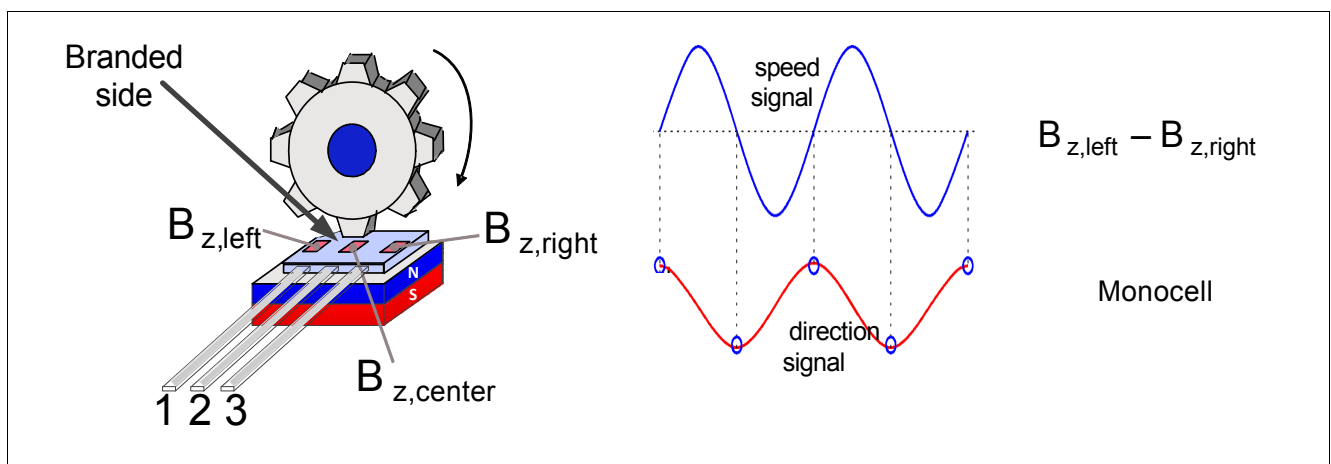


Figure 6 Direction Detection Principle: TLE4929C-XAN-M28 issues forward-pulses at each middle of tooth

Functional Description

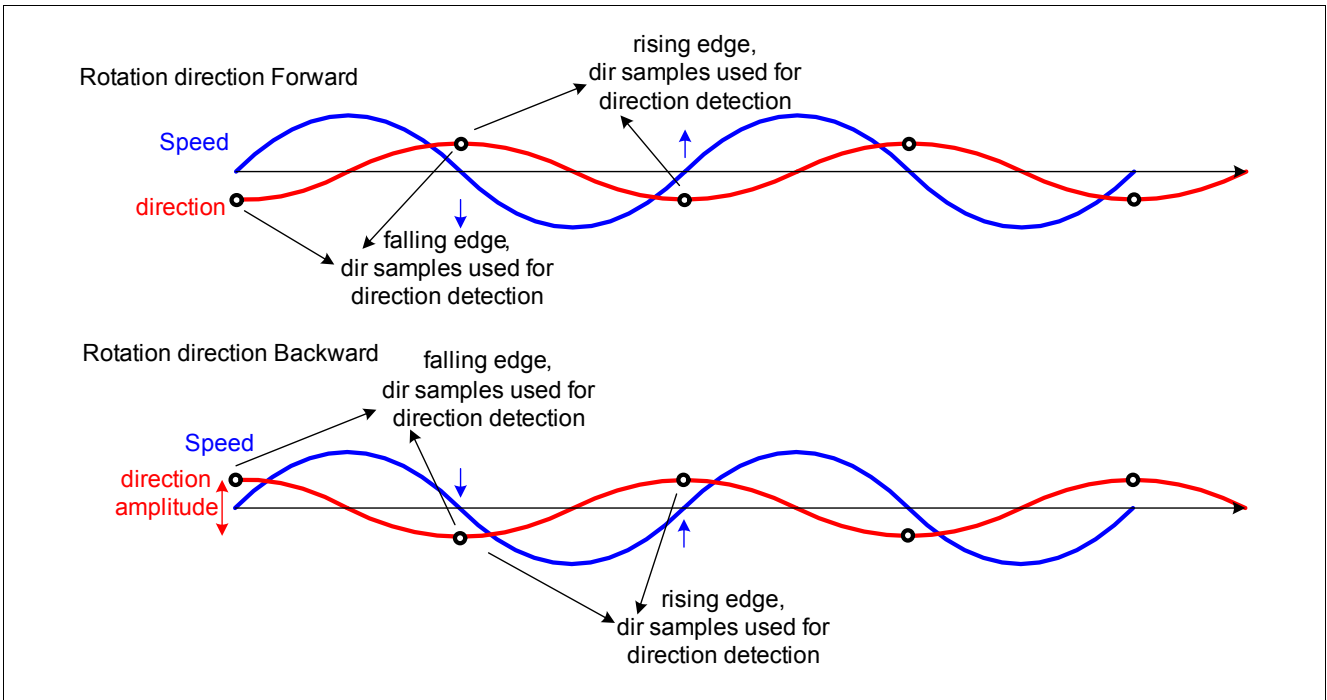


Figure 7 Direction Detection Principle: Rotation Direction Forward And Backward

3.3.7 Direction Detection Threshold

To recognize a change in rotational direction of the target wheel a threshold (**Figure 8**) is used. The peak to peak signal of direction is averaged over the last teeth and is used as 100% value. Whenever a new minimum or a new maximum is measured a threshold of 25% is calculated.

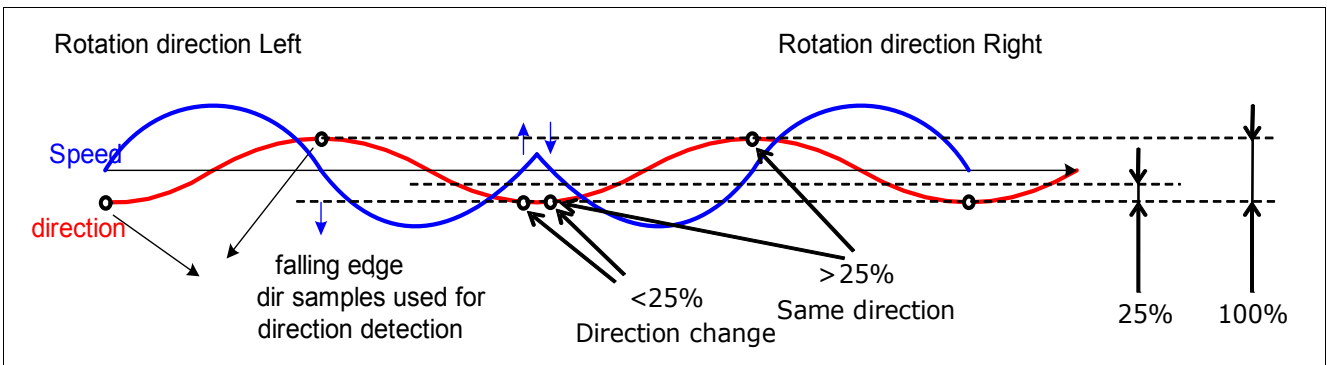


Figure 8 Direction Threshold Level

At a constant direction the next sample-point is expected to have another 100% signal amplitude. In the case of a rotational direction change the same value as before is expected. To distinguish between these two cases a virtual threshold of 25% is taken into account. Using EEPROM these 25% can be programmed to 12.5% (direction change criterion).

Functional Description

3.4 Hysteresis Concept

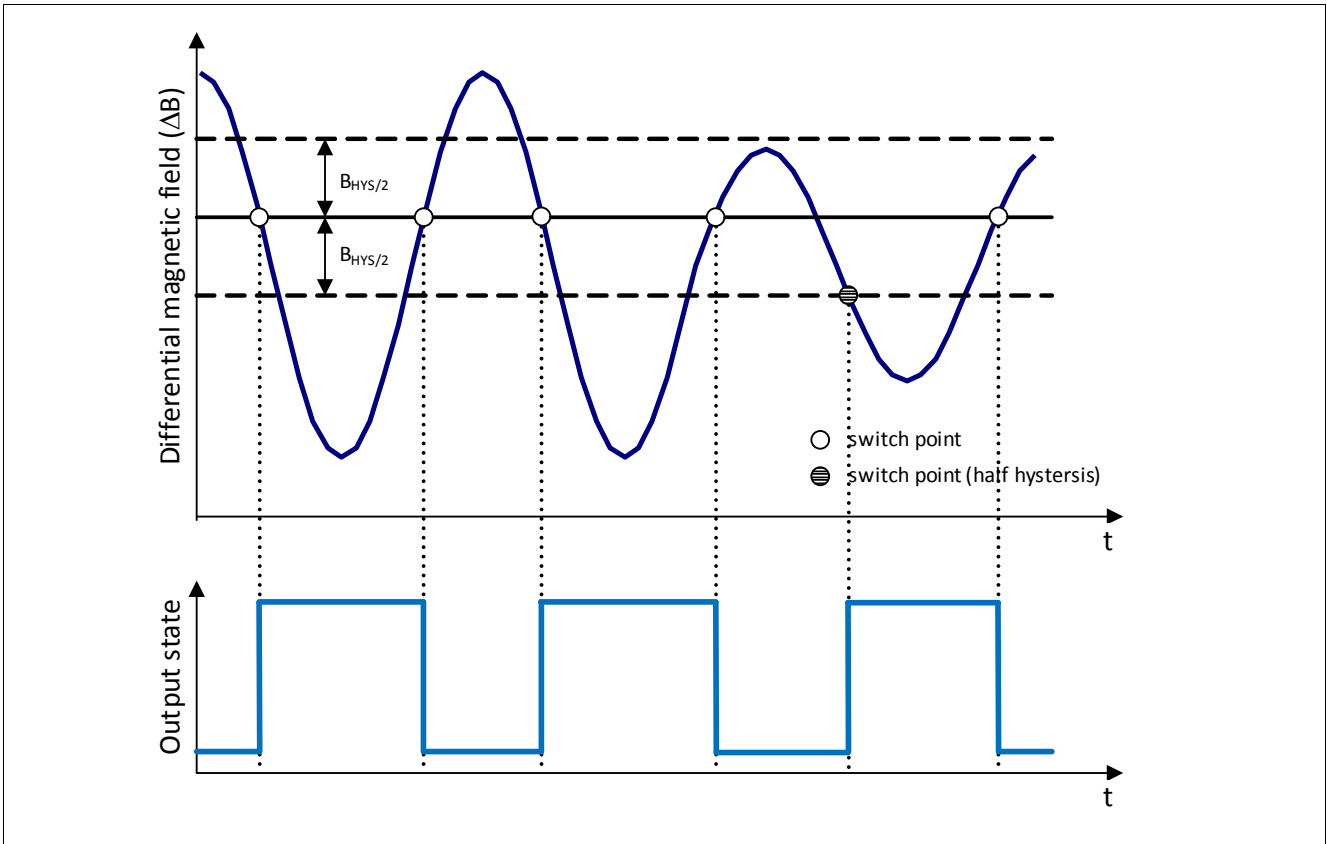


Figure 9 Hidden Hysteresis in protocol-variant without direction detection

The preferred switching behavior for crankshaft application in terms of hysteresis is called hidden adaptive hysteresis. For reason of long notches or long teeth there is the EEPROM possibility to go for visible hysteresis as well. Another EEPROM possibility is fixed hysteresis which allows robustness against metallic flakes attached by the back-bias-magnet.

Hidden adaptive hysteresis means, the output always switches at the same level, centered between upper and lower hysteresis. These hysteresis thresholds needs to be exceeded and are used to enable the output for the next following switching event. For example, if the differential magnetic field crosses the lower hysteresis level, then the output is able to switch at the zero crossing. Next following upper hysteresis needs to be exceeded again in order to enable for the next switching. Furthermore the function of half hysteresis maintains switching whenever the upper hysteresis level is not exceeded, but the lower hysteresis level is crossed again, then the output is allowed to switch, so that no edge is lost. However, this causes additional phase error, see [Figure 9](#).

Doing an adaptive hysteresis gives advantage at small airgap (large signal) to have big hysteresis. Compared with fixed hysteresis a small vibration cannot cause additional switching. According [Figure 10](#) the adaptive hysteresis is calculated as 25% of the differential Speed-signal peak to peak. The minimum hysteresis is derived from EEPROM-setting "HYST_MIN".

Functional Description

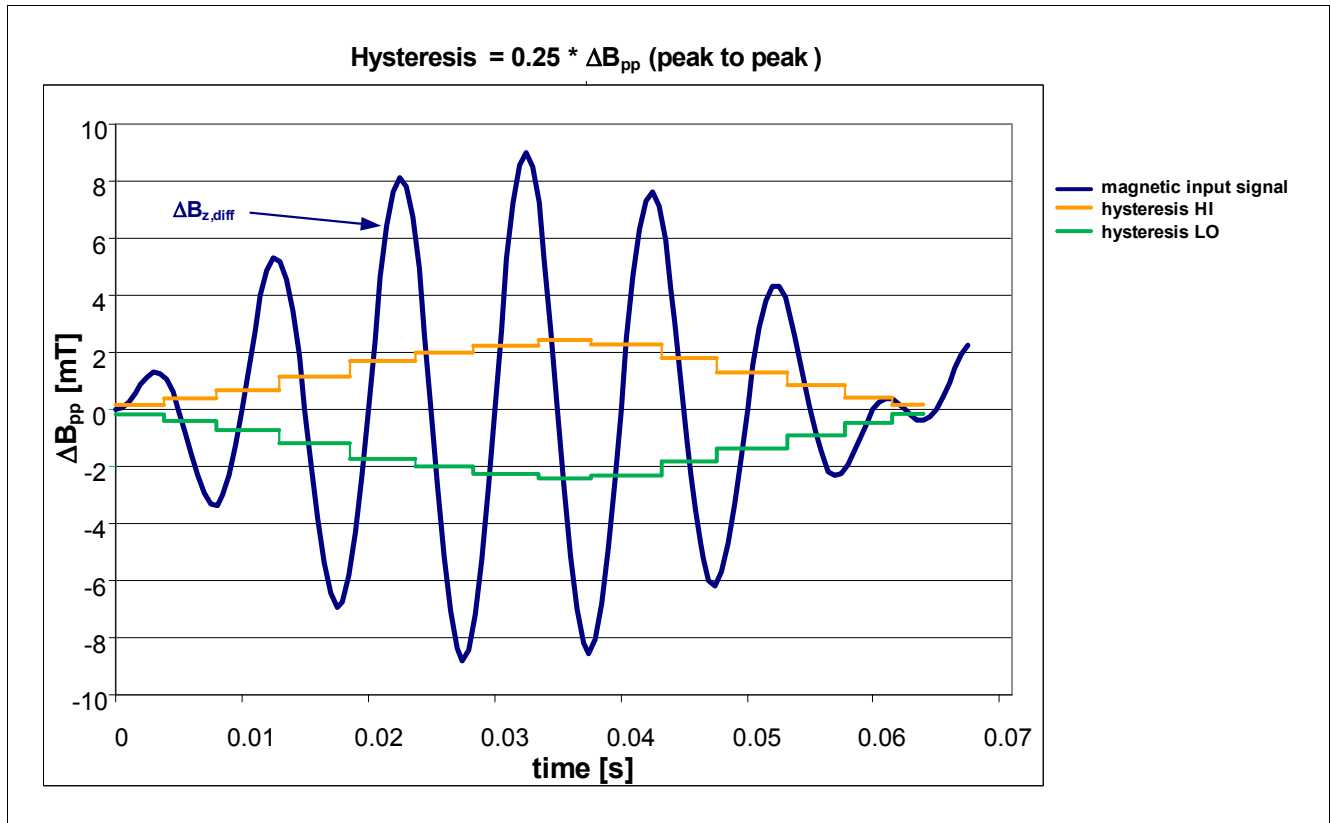


Figure 10 Adaptive Hysteresis

3.5 Rotational Direction Definition and Edge Polarity Definition

TLE4929C has EEPROM-options to change the position of the output-protocol. In the application the switching point is either the middle of the tooth or the middle of the notch (magnetic encoder wheel: middle of north pole or middle of south pole). From magnetic point of view it is zero crossing of the differential speed signal: Either rising edge or falling edge. The EEPROM-Bit “EDGE_POLAR” parametrizes the sensor to one of the edges.

Further there is an option to issue “forward”-pulses either in CW rotational direction or CCW rotational direction: “FORWARD_DEF”.

Both EEPROM-bits are independent from each other.

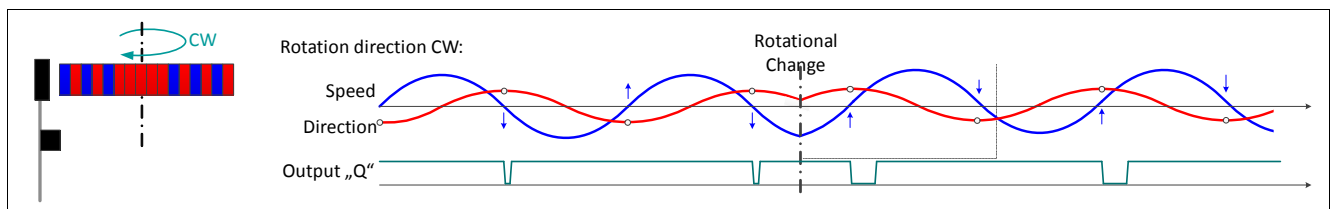


Figure 11 Signal output in setting “EDGE_POLAR = 0” and “FORWARD_DEF” = 0

Functional Description

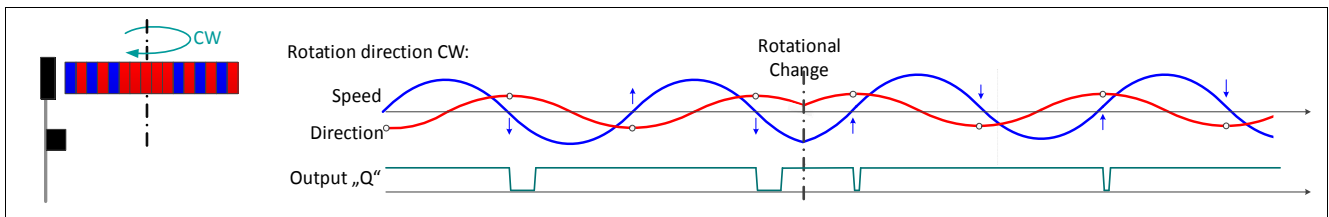


Figure 12 Signal output in setting “EDGE_POLAR = 1” and “FORWARD_DEF” = 1

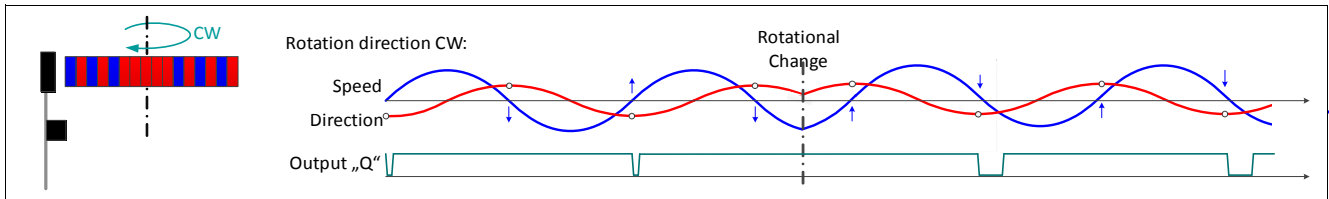


Figure 13 Signal output in setting “EDGE_POLAR = 1” and “FORWARD_DEF” = 0

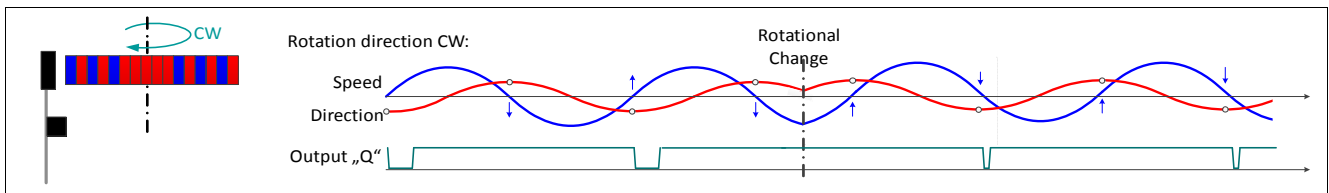


Figure 14 Signal output in setting “EDGE_POLAR = 0” and “FORWARD_DEF” = 1

The TLE4929C-XAN-M28 is preprogrammed and has locked EEPROM. In **Figure 14** the behavior is pictured when following conditions are met:

- Backbias magnet is attached with magnetic north pole to the back of TLE4929C-XAN-M28. (pictured in left part of **Figure 3**).
- Forward-pulses (crank forward pulse-length = 45µsec) are issued when toothed wheel moves from package-pin 3 (“Q”) to package-pin 1 (“VDD”).
- Backard-pulses (crank reverse pulse-length = 90µsec) are issued when toothed wheel moves from package-pin 1(“VDD”) to package-pin 3 (“Q”).
- The pulse is issued in the middle of the tooth of the toothed wheel.

3.6 System Watchdog

The system watchdog is monitoring following parts in the digital core and at the output:

- Finding valid maximum in the speed signal
- Finding valid minimum in the speed signal
- Finding valid zero-crossing of the speed signal
- Monitoring the switching of the output

As long the speedsignal and the corresponding output switching is fine the system watchdog will reset itself automatically at every output-switching. As soon the system watchdog detects valid maximum, valid minimum and valid zero-crossing without a switching event at the output the system watchdog will increase its counter. Switching of the output sets the counter to zero. When the counter reaches its limit the offset will be reset.

Functional Description

The advantage of this system watchdog is to avoid “flat line” behavior at the output. Once there happened a massive event in the sensing system (i.e. hit on the tooth, sudden air gap jump, ...) TLE4929C is able to recover itself.

The system watchdog can be enabled by EEPROM setting.

3.7 Stop Start Watchdog

The Stop Start Watchdog allows TLE4929C to stay calibrated as much as possible during stand-still of the target wheel and a possible temperature-drift of 60K. It can be enabled by EEPROM-option.

Basically the Stop Start Watchdog is a time-out of 1.4 seconds. After 1.4 seconds of less signal-change in the speed channel as actual DNC (crankshaft wheel stopped) the Stop Start Watchdog will enter active state. No output switching is enabled during active watchdog state. After a signal-change in speed channel above DNC within 1.4 seconds (crankshaft wheel rotates) the TLE4929C will use known signal-amplitude and perform output-switching with the new switching threshold at the new temperature.

At standstill of the target wheel the stop start watchdog will enable TLE4929C to not issue any wrong pulse at the output:

- No additional pulses
- No missing pulses
- No false rotational direction information

Combining the System Watchdog and the Stop Start Watchdog an immunity to vibration can be added to the Stop-Start-behavior.

Further details are available on request.

3.8 Serial Interface

The serial interface is used to set parameter and to program the sensor IC, it allows writing and reading of internal registers. Data transmission to the IC is done by supply voltage modulation, by providing the clock timing and data information via only one line. Data from the IC are delivered via the output line, triggered by as well clocking the supply line. In normal application operation the interface is not active, for entering that mode a certain command right after power-on is required.

A detailed interface document (TLE4929C EEPROM Programming Guide) is available on request, containing the description of electrical timing and voltage requirements, but as well the information about the data protocol, available registers and addresses.

3.8.1 Data Transmission

Commands to the sensor are sent by modulating the supply voltage between two levels $V_{DD,high}$ and $V_{DD,low}$. They are sent in series of 17 pulses corresponding to 16 bit words, with MSB transmitted first and LSB last, respectively the stop bit. Each of the 16 pulses is coded by the duty cycle as logical “0” or “1”. Logical “1” is represented by a duty cycle of 2/3 of the period on $V_{DD,high}$, logical “0” is represented by a duty cycle of 1/3 at $V_{DD,high}$. This forms the bit information and acts also as serial interface clock. Data transmission from the device is represented by the state of the output, high for logical “1” and low for logical “0”. Recommended period length is 100µs per bit.

End of word is indicated by a long “low” supply (> 750 ms, first 30 ms should be > $V_{DD,high}$, remaining time < $V_{DD,low}$). Please note, that for transmission of 16 data bits in total 17 pulses on V_{DD} are necessary. If more than 16 input bits are transmitted the output bits are irrelevant (transmission buffer empty), whereas the input bits remain valid and start overwriting the previously transmitted bits. In any case the last 17 transmitted bits are interpreted as transmitted data word (16 bit) + 1 stop bit.

Functional Description

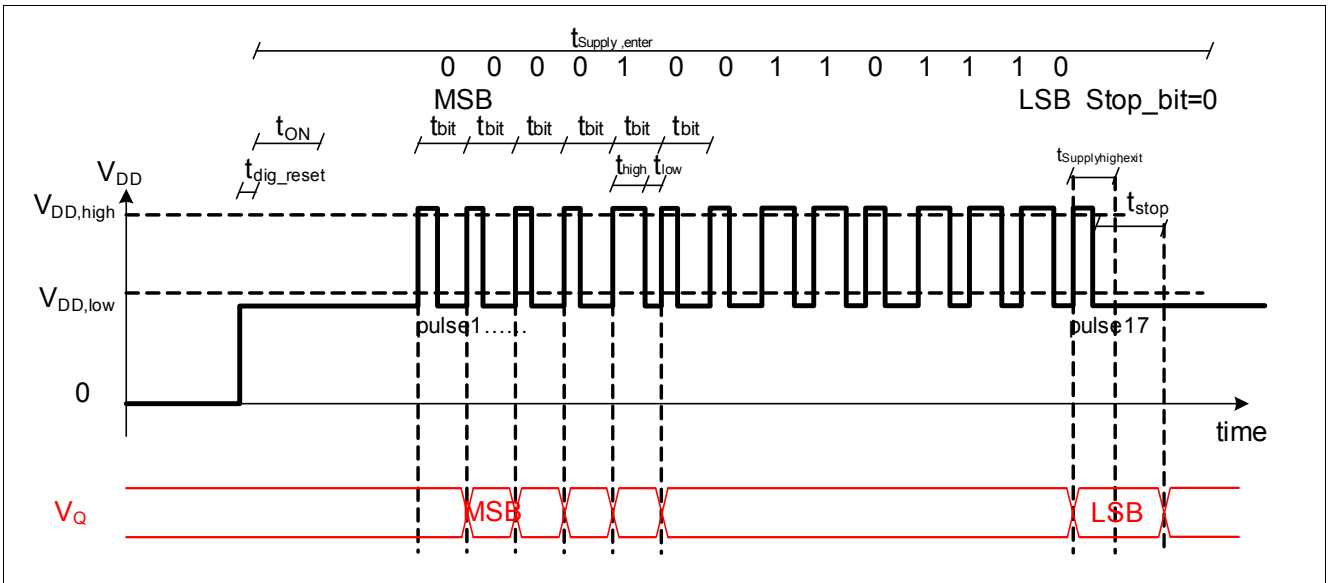


Figure 15 Serial Protocol

EEPROM Description

4 EEPROM Description

Several options of TLE4929C can be programmed via an EEPROM to optimize the sensor algorithm to the individual target wheel and application requirements. The EEPROM memory is organized in 2 customer lines, wherein each line is composed of 16 data bits and additional 6 bits for error detection and correction, based on ECC (Error Correction Code). For more detailed information about EEPROM access and programming an additional document is available on request.

Table 7 Temperature-Compensation for used magnetic material

Type	Description	TC (typical)	fits magnetic material
TLE4929C-XAN-M28	EEPROM pre programmed and locked	-825 ppm	SmCo, NdFeB
TLE4929C-XAF-M28	EEPROM unlocked	-1400 ppm	NdFeB, Fe

Table 8 EEPROM Address 0x0

15	14	13	12	11	10	9	8	7	6	5	4	3	2	1	0
customer line #1															

Table 9 Functional Description Address 0x0

Field	Bit	Type	Description	TLE4929C -XAN-M28	TLE4929C -XAF-M28
not used	15	r	always read as "0"	0	0
STOP_ENABLE	14	rw	0 = Disable stop mode 1 = Enable stop mode	1	1
HIGH_SPEED	13	rw	0 = Enabled motion detection 1 = Same pulse and phase as before when above 1.5kHz	1	1
DIR_CHANGE	12	rw	0 = 1/4 Criteria for direction change 1 = 1/8 Criteria for direction change	0	0
WATCH_DOG_EN	11	rw	0 = Watchdog off 1 = Watchdog on	0	0
not used	10..2	rw	to be set to "000000000"	000000000	000000000
PULSE_WIDTH	1	rw	0 = Default pulse length for all pulses 1 = All pulses shortened by 4µs (GM-pullup)	0	0
POLE_WHEEL	0	rw	0 = Back bias self calibration on startup – back bias applications 1 = Back bias in center and differential path set to ~0mT	0	1

Table 10 EEPROM Address 0x1

15	14	13	12	11	10	9	8	7	6	5	4	3	2	1	0
customer line #2															

EEPROM Description

Table 11 Functional Description Address 0x1

Field	Bit	Type	Description	TLE4929C -XAN-M28	TLE4929C -XAF-M28
not used	15:14	rw	to be set to "00"	00	00
PW_CHOICE	13	rw	Choice of pulse length at direction detection forwards/backwards time, pulse length is 3µs shorter by default and can be shortened by additional 4µs with the PULSE_WIDTH bit. Details please find on Table 4 . 0 = 45 / 90µs 1 = 45 / 135µs	0	0
not used	12	rw	to be set to "0"	0	0
FORWARD_DEF	11	rw	0 = none inversion of forward definition 1 = inversion of forward definition	1	0
EDGE_POLAR	10	rw	0 = non-inverted 1 = inverted	0	1
HYST_ADAPT	9	rw	0 = 25% 1 = 31.25%	0	0
HYST	8	rw	0 = 0.75mTpkpk 1 = 1.5mTpkpk	1	1
HYST_TYPE	7	rw	0 = Hidden adaptive hysteresis 1 = Visible adaptive hysteresis	0	0
DNC_MIN	6:5	rw	Minimal DNC (Digital Noise Constant): 00 = 0.75mTpkpk 01 = 1.5mTpkpk 10 = 2.5mTpkpk 11 = 5mTpkpk	01	01
DNC_ADAPT	4	rw	DNC Adoption: 0 = 25% 1 = 31.25%	0	0
CRANK_TEETH	3	rw	0 = 58 teeth 1 = 32 teeth	0	0
DIR_ENABLE	2	rw	0 = Direction detection off 1 = Direction detection on	1	1
ADAPT_FILTER	1	rw	0 = slow adaptation tracking: average over 32/58 (CRANK_TEETH) edges... 1 = fast adaptation tracking: each valid min/max is considered if the extremes are bigger 5 times, with a full update of the ODAC	0	0
LOCK	0	rw	0 = User area of EEPROM is unlocked 1 = User area of EEPROM is locked (no reprogramming possible)	1	0

Package Information

5 Package Information

Pure tin covering (green lead plating) is used. The product is RoHS (Restriction of Hazardous Substances) compliant and marked with letter G in front of the data code marking and may contain a data matrix code on the rear side of the package (see also information note 136/03). Please refer to your key account team or regional sales if you need further information.

The specification for soldering and welding is defined in the latest revision of application note “Recommendation for Handling and Assembly of Infineon PG-SSO Sensor Packages”.

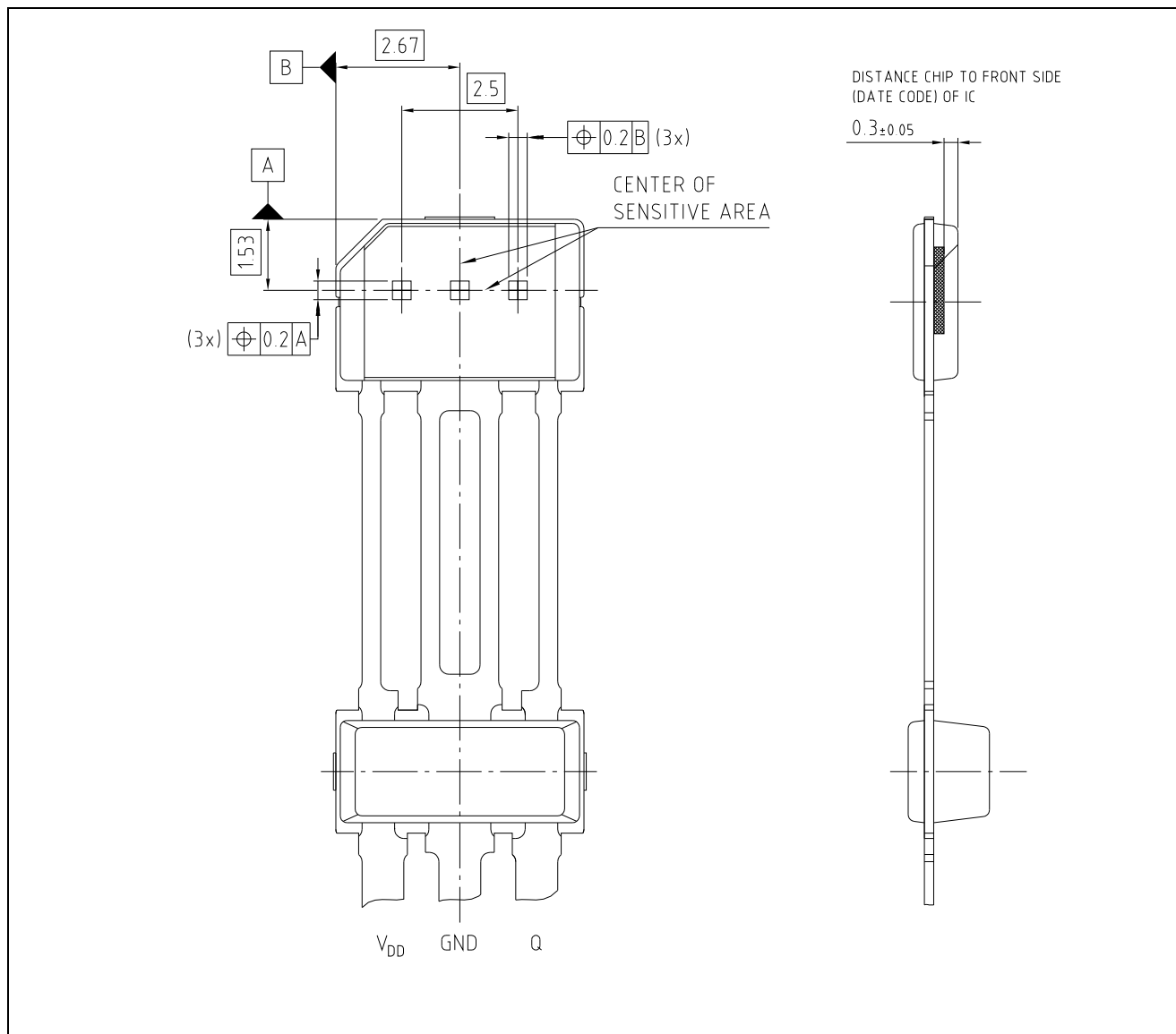


Figure 16 Pin Configuration and Sensitive Area / Position of the Hall Elements in PG-SSO-3-5x and Distance to the Branded Side

Table 12 Pin Description

Pin Number	Symbol	Function
1	V_{DD}	Supply Voltage
2	GND	Ground
3	Q	Open Drain Output

Package Information

5.1 Package Outline

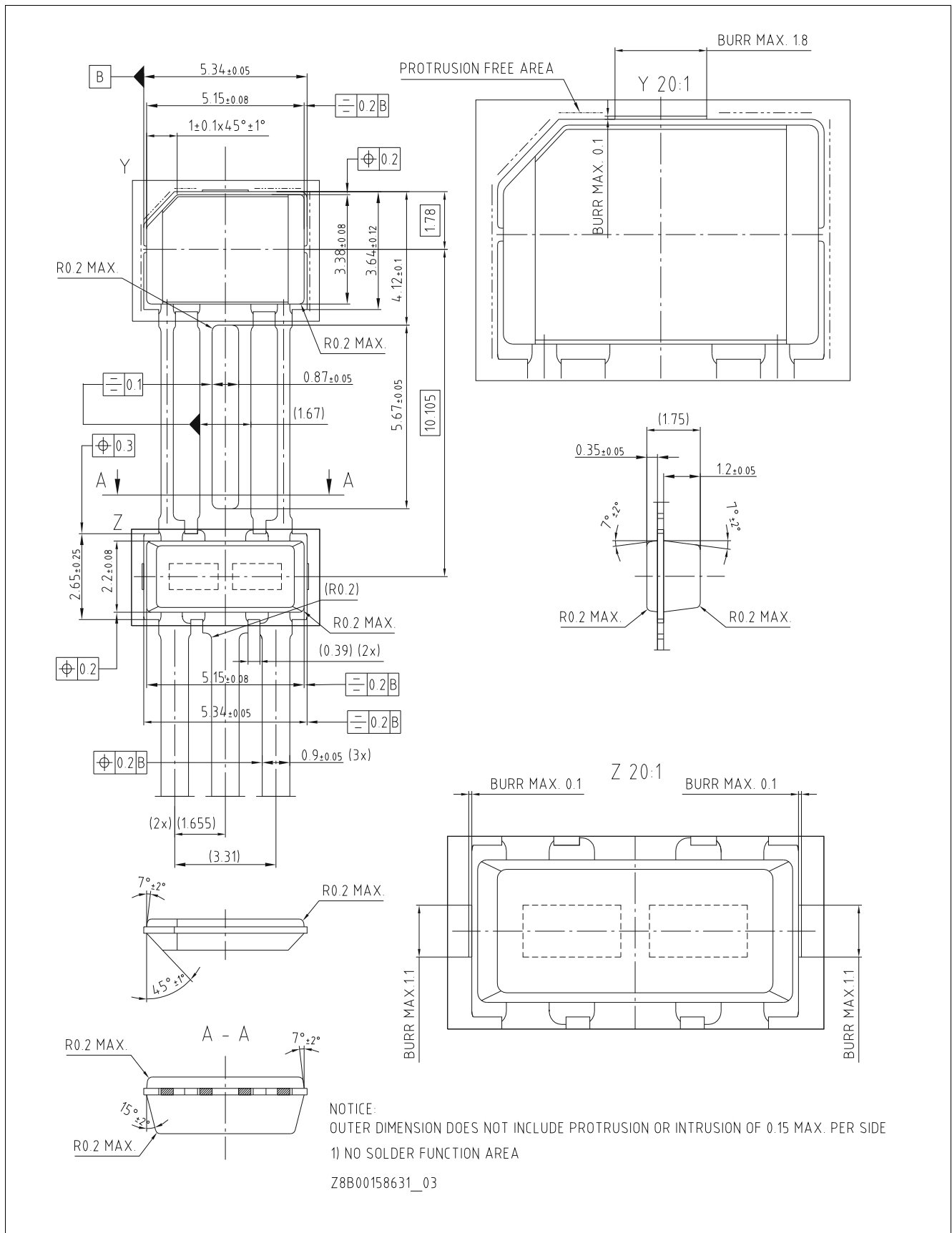


Figure 17 PG-SSO-3-5x (Plastic Green Single Slim Outline), Package Dimensions

Package Information

5.2 Marking and Data Matrix Code

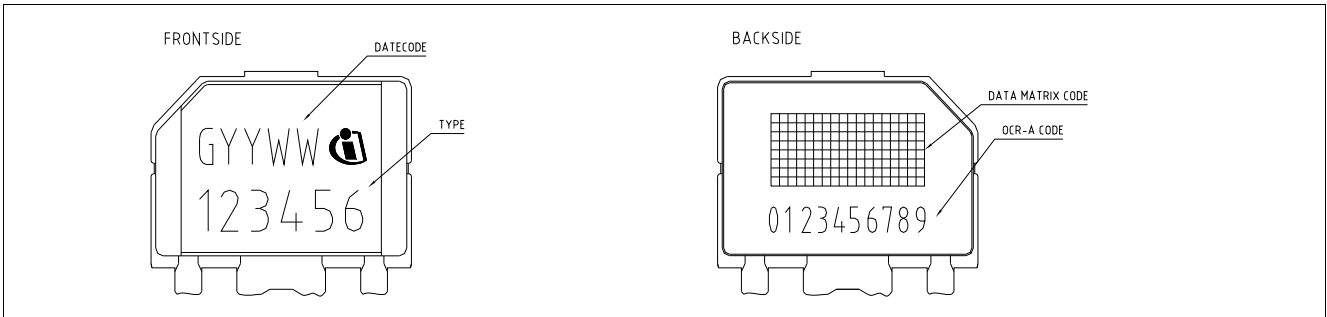


Figure 18 Marking of PG-SSO-3-5x Package

5.3 Packing Information

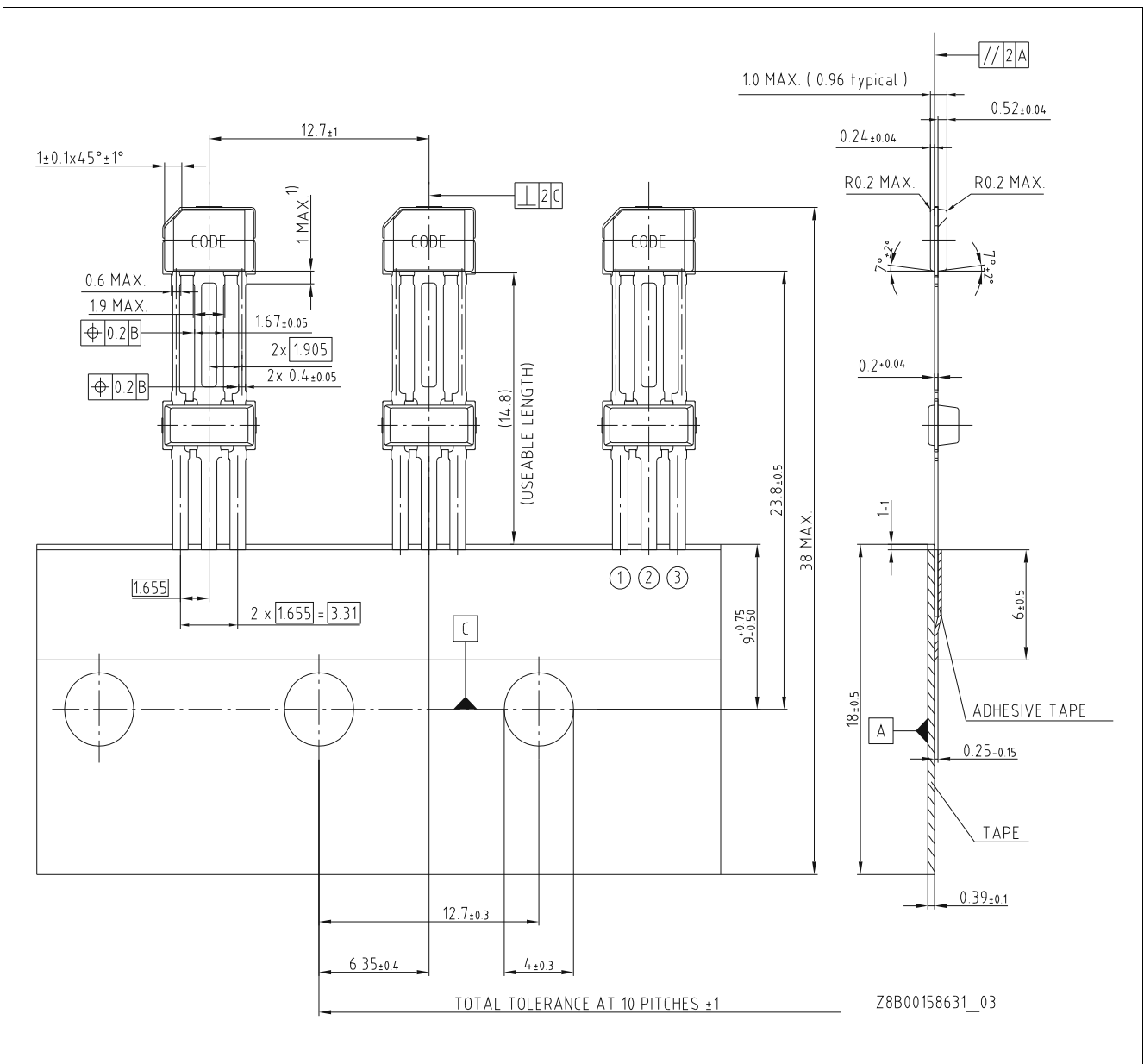


Figure 19 PG-SSO-3-5x Ammpack

Table of Contents

	Applications	1
	Features	1
	Description	1
1	General Characteristics	2
1.1	Absolute Maximum Ratings	2
1.2	Operating Range	3
2	Electrical and Magnetic Characteristics	6
3	Functional Description	10
3.1	Definition of the Magnetic Field Direction	10
3.2	Block Diagram	10
3.3	Basic Operation	10
3.3.1	Power-on Phase	13
3.3.2	Initial Phase	13
3.3.3	Calibration Phase	13
3.3.4	Running Phase	13
3.3.5	Averaging Algorithm	14
3.3.6	Direction Detection	14
3.3.7	Direction Detection Threshold	15
3.4	Hysteresis Concept	16
3.5	Rotational Direction Definition and Edge Polarity Definition	17
3.6	System Watchdog	18
3.7	Stop Start Watchdog	19
3.8	Serial Interface	19
3.8.1	Data Transmission	19
4	EEPROM Description	21
5	Package Information	23
5.1	Package Outline	24
5.2	Marking and Data Matrix Code	25
5.3	Packing Information	25
	Table of Contents	26
	List of Tables	27
	List of Figures	28
6	Revision History	29

List of Tables

Table 1	Version	1
Table 2	Absolute Maximum Ratings	2
Table 3	General Operating Conditions	3
Table 4	Electrical and Magnetic Parameters	6
Table 5	Available offset update algorithm to be chosen in EEPROM	13
Table 6	EEPROM-options for polarity and direction	14
Table 7	Temperature-Compensation for used magnetic material	21
Table 8	EEPROM Address 0x0	21
Table 9	Functional Description Address 0x0	21
Table 10	EEPROM Address 0x1	21
Table 11	Functional Description Address 0x1	22
Table 12	Pin Description	23

List of Figures

Figure 1	Typical Application Circuit	1
Figure 2	OEM-crankshaft wheel (outer diameter = 160mm)	9
Figure 3	Definition of the Positive Magnetic Field Direction	10
Figure 4	Block Diagram	10
Figure 5	Operating Phases - Power-on to Running Phase	12
Figure 6	Direction Detection Principle: TLE4929C-XAN-M28 issues forward-pulses at each middle of tooth 14	
Figure 7	Direction Detection Principle: Rotation Direction Forward And Backward	15
Figure 8	Direction Threshold Level	15
Figure 9	Hidden Hysteresis in protocol-variant without direction detection	16
Figure 10	Adaptive Hysteresis	17
Figure 11	Signal output in setting “EDGE_POLAR = 0” and “FORWARD_DEF” = 0	17
Figure 12	Signal output in setting “EDGE_POLAR = 1” and “FORWARD_DEF” = 1	18
Figure 13	Signal output in setting “EDGE_POLAR = 1” and “FORWARD_DEF” = 0	18
Figure 14	Signal output in setting “EDGE_POLAR = 0” and “FORWARD_DEF” = 1	18
Figure 15	Serial Protocol	20
Figure 16	Pin Configuration and Sensitive Area / Position of the Hall Elements in PG-SSO-3-5x and Distance to the Branded Side 23	
Figure 17	PG-SSO-3-5x (Plastic Green Single Slim Outline), Package Dimensions.	24
Figure 18	Marking of PG-SSO-3-5x Package	25
Figure 19	PG-SSO-3-5x Ammopack	25

Revision History

6 Revision History

Revision	Date	Changes
1.0	2018-02-01	Initial Version of Datasheet

Trademarks of Infineon Technologies AG

μ HVIC™, μ IPM™, μ PFC™, AU-ConvertIR™, AURIX™, C166™, CanPAK™, CIPOS™, CIPURSE™, CoolDP™, CoolGaN™, COOLiR™, CoolMOS™, CoolSET™, CoolSiC™, DAVE™, DI-POL™, DirectFET™, DrBlade™, EasyPIM™, EconoBRIDGE™, EconoDUAL™, EconoPACK™, EconoPIM™, EiceDRIVER™, eupec™, FCOS™, GaNpowIR™, HEXFET™, HITFET™, HybridPACK™, iMOTION™, IRAM™, ISOFACE™, IsoPACK™, LEDriviR™, LITIX™, MIPAQ™, ModSTACK™, my-d™, NovalithIC™, OPTIGA™, OptiMOS™, ORIGA™, PowIRaudio™, PowIRstage™, PrimePACK™, PrimeSTACK™, PROFET™, PRO-SIL™, RASIC™, REAL3™, SmartLEWIS™, SOLID FLASH™, SPOC™, StrongIRFET™, SupIRBuck™, TEMPFET™, TRENCHSTOP™, TriCore™, UHVIC™, XHP™, XMC™.

Trademarks updated November 2015

Other Trademarks

All referenced product or service names and trademarks are the property of their respective owners.

Edition 2018-02-14

Published by

Infineon Technologies AG

81726 Munich, Germany

© 2018 Infineon Technologies AG.

All Rights Reserved.

Do you have a question about any aspect of this document?

Email: erratum@infineon.com

IMPORTANT NOTICE

The information given in this document shall in no event be regarded as a guarantee of conditions or characteristics ("Beschaffheitsgarantie").

With respect to any examples, hints or any typical values stated herein and/or any information regarding the application of the product, Infineon Technologies hereby disclaims any and all warranties and liabilities of any kind, including without limitation warranties of non-infringement of intellectual property rights of any third party.

In addition, any information given in this document is subject to customer's compliance with its obligations stated in this document and any applicable legal requirements, norms and standards concerning customer's products and any use of the product of Infineon Technologies in customer's applications.

The data contained in this document is exclusively intended for technically trained staff. It is the responsibility of customer's technical departments to evaluate the suitability of the product for the intended application and the completeness of the product information given in this document with respect to such application.

For further information on technology, delivery terms and conditions and prices, please contact the nearest Infineon Technologies Office (www.infineon.com).

WARNINGS

Due to technical requirements products may contain dangerous substances. For information on the types in question please contact your nearest Infineon Technologies office.

Except as otherwise explicitly approved by Infineon Technologies in a written document signed by authorized representatives of Infineon Technologies, Infineon Technologies' products may not be used in any applications where a failure of the product or any consequences of the use thereof can reasonably be expected to result in personal injury.

Компания «Океан Электроники» предлагает заключение долгосрочных отношений при поставках импортных электронных компонентов на взаимовыгодных условиях!

Наши преимущества:

- Поставка оригинальных импортных электронных компонентов напрямую с производств Америки, Европы и Азии, а так же с крупнейших складов мира;
- Широкая линейка поставок активных и пассивных импортных электронных компонентов (более 30 млн. наименований);
- Поставка сложных, дефицитных, либо снятых с производства позиций;
- Оперативные сроки поставки под заказ (от 5 рабочих дней);
- Экспресс доставка в любую точку России;
- Помощь Конструкторского Отдела и консультации квалифицированных инженеров;
- Техническая поддержка проекта, помощь в подборе аналогов, поставка прототипов;
- Поставка электронных компонентов под контролем ВП;
- Система менеджмента качества сертифицирована по Международному стандарту ISO 9001;
- При необходимости вся продукция военного и аэрокосмического назначения проходит испытания и сертификацию в лаборатории (по согласованию с заказчиком);
- Поставка специализированных компонентов военного и аэрокосмического уровня качества (Xilinx, Altera, Analog Devices, Intersil, Interpoint, Microsemi, Actel, Aeroflex, Peregrine, VPT, Syfer, Eurofarad, Texas Instruments, MS Kennedy, Miteq, Cobham, E2V, MA-COM, Hittite, Mini-Circuits, General Dynamics и др.);

Компания «Океан Электроники» является официальным дистрибьютором и эксклюзивным представителем в России одного из крупнейших производителей разъемов военного и аэрокосмического назначения «JONHON», а так же официальным дистрибьютором и эксклюзивным представителем в России производителя высокотехнологичных и надежных решений для передачи СВЧ сигналов «FORSTAR».



JONHON

«JONHON» (основан в 1970 г.)

Разъемы специального, военного и аэрокосмического назначения:

(Применяются в военной, авиационной, аэрокосмической, морской, железнодорожной, горно- и нефтедобывающей отраслях промышленности)

«FORSTAR» (основан в 1998 г.)

ВЧ соединители, коаксиальные кабели, кабельные сборки и микроволновые компоненты:

(Применяются в телекоммуникациях гражданского и специального назначения, в средствах связи, РЛС, а так же военной, авиационной и аэрокосмической отраслях промышленности).



Телефон: 8 (812) 309-75-97 (многоканальный)

Факс: 8 (812) 320-03-32

Электронная почта: ocean@oceanchips.ru

Web: <http://oceanchips.ru/>

Адрес: 198099, г. Санкт-Петербург, ул. Калинина, д. 2, корп. 4, лит. А