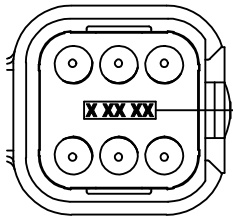
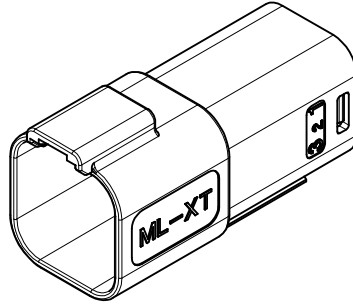
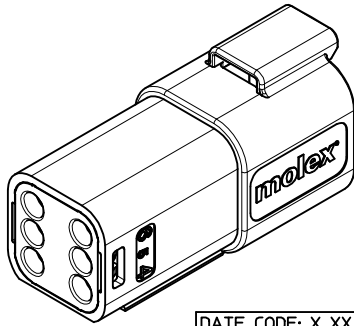


NOTES

- 1. SEE SHEETS 2 TO 7 FOR UNSPECIFIED NOTES, DIMENSIONS AND PART NUMBERS

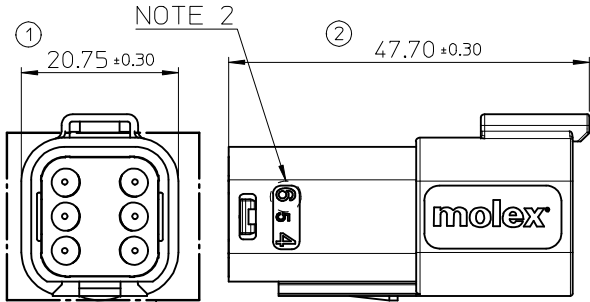
PROPOSED EC NO: IPG2015-1746 DRWN: JFLETCHER 2015/04/07 CHKD: APPR: JWALLACE 2015/07/16 REV DESCRIPTION	QUALITY SYMBOLS	GENERAL TOLERANCES (UNLESS SPECIFIED)	DIMENSION STYLE	SCALE	DESIGN UNITS	THIRD ANGLE PROJECTION
	$\nabla=0$ $\sphericalcap=0$	mm INCH 4 PLACES ± --- ± --- 3 PLACES ± --- ± --- 2 PLACES ± 0.10 ± --- 1 PLACE ± 0.20 ± --- 0 PLACE ± --- ± ---	MM ONLY	1.5:1	METRIC	DRAWN BY: JFLETCHER DATE: 2014/04/23 CHECKED BY: DATE:
	ANGULAR ± 2 ° DRAFT WHERE APPLICABLE MUST REMAIN WITHIN DIMENSIONS	SEE NOTES	APPROVED BY: JWALLACE DATE: 2014/10/01 MATERIAL NO.	TITLE: 6CCT ML-XT CV CONNECTOR		molex DOCUMENT NO. SD-93443-004 SHEET NO. 1 OF 7
	THIS DRAWING CONTAINS INFORMATION THAT IS PROPRIETARY TO MOLEX INCORPORATED AND SHOULD NOT BE USED WITHOUT WRITTEN PERMISSION					

6CCT RECEPTACLE CONNECTOR



DETAIL 1
(ROTATED 90°)

DATE CODE: X XX XX
 X — DAY: 1 - 7
 X — WEEK: 01 - 52
 X — YEAR: 00 - 99
 X —
 EXAMPLE: 11315 = DAY 1 OF WEEK 13 OF YEAR 15
 i.e. 23rd OF MARCH 2015



DETAIL 1

NOTES

- MATERIAL
HOUSING: NYLON 30%GF
SEAL: HIGH CONSISTENCY RUBBER
 - CIRCUIT IDENTIFICATION
 - JACKET RANGE LARGE = $\varnothing 2.7\text{MM}$ TO 3.6MM (SEAL COLOUR: LIGHT BLUE)
JACKET RANGE SMALL = $\varnothing 1.4\text{MM}$ TO 2.7MM (SEAL COLOUR: BURNT ORANGE)
 - SEE SHEET 3 FOR FINAL PART NUMBER DESIGNATION
 - SEE PS-93443-001 FOR PRODUCT SPECIFICATION
 - SEE PK-93443-001 FOR PACKAGING SPECIFICATION
- LAST INSPECTION NUMBER: 5
 INSPECTION NUMBERS 1-50 RESERVED FOR SHEET 2

SEE SHEET 1
 EC NO: IPG2015-1746
 DRWN: JFLETCHER 2015/04/07
 CHKD:
 APPR: JWALLACE 2015/07/16

QUALITY SYMBOLS
 $\nabla = 0$
 $\triangle = 0$

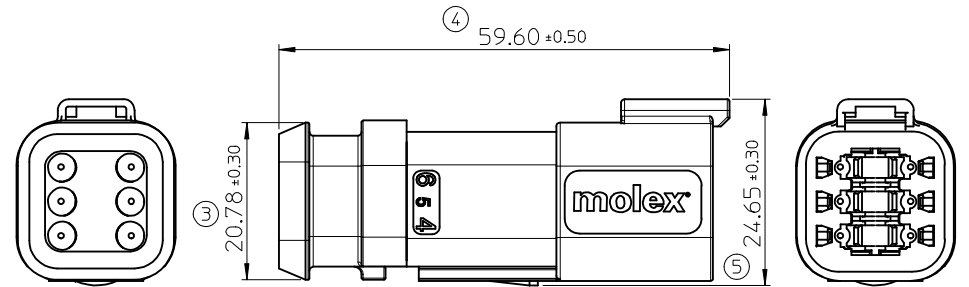
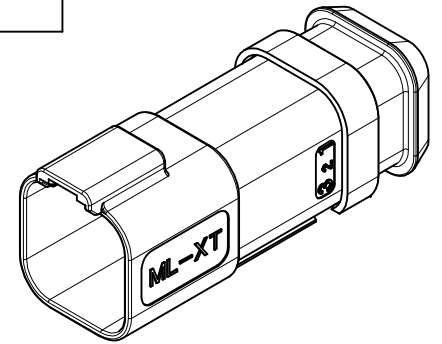
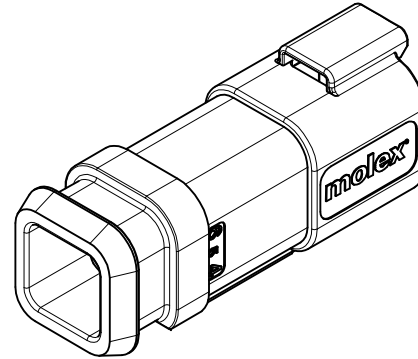
GENERAL TOLERANCES (UNLESS SPECIFIED)	
mm	INCH
4 PLACES	$\pm \text{---}$
3 PLACES	$\pm \text{---}$
2 PLACES	± 0.10
1 PLACE	± 0.20
0 PLACE	$\pm \text{---}$

ANGULAR $\pm 2^\circ$
 DRAFT WHERE APPLICABLE
 MUST REMAIN WITHIN DIMENSIONS

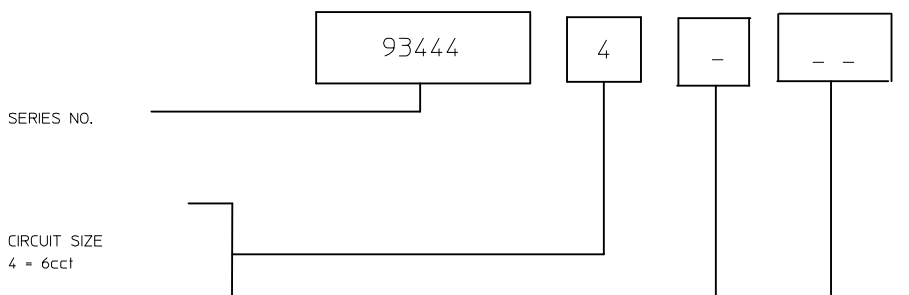
DIMENSION STYLE	
MM ONLY	
DRAWN BY	DATE
JFLETCHER	2014/04/23
CHECKED BY	DATE
APPROVED BY	DATE
JWALLACE	2014/10/01
MATERIAL NO.	

SCALE	DESIGN UNITS	THIRD ANGLE PROJECTION
1.5:1	METRIC	
TITLE 6CCT ML-XT CV CONNECTOR		
DOCUMENT NO. SD-93443-004		SHEET NO. 2 OF 7
THIS DRAWING CONTAINS INFORMATION THAT IS PROPRIETARY TO MOLEX INCORPORATED AND SHOULD NOT BE USED WITHOUT WRITTEN PERMISSION		

6CCT RECEPTACLE CONNECTOR WITH HEATSHRINK HOUSING ULTRASONICALLY WELDED IN PLACE



6CCT RECEPTACLE CONNECTOR



SERIES NO. 93444

CIRCUIT SIZE 4 = 6cct

ASSEMBLY OPTIONS

- 1 = RECEP ASSEMBLY FOR WIRE JACKET RANGE: ϕ 1.4mm-2.7mm (NOTE 2)
- 2 = RECEP ASSEMBLY FOR WIRE JACKET RANGE: ϕ 2.7mm-3.6mm (NOTE 2)
- 5 = RECEP ASSEMBLY & HEATSHR FOR WIRE JACKET RANGE: ϕ 1.4mm-2.7mm (NOTE 3)
- 6 = RECEP ASSEMBLY & HEATSHR FOR WIRE JACKET RANGE: ϕ 2.7mm-3.6mm (NOTE 3)

- COLOUR
- 01=BLACK
 - 02=GREY
 - 03=GREEN
 - 04=BLUE
 - 05=YELLOW
 - 06=WHITE
 - 07=BROWN
 - 08=ORANGE
 - 09=RED

EXAMPLE:
6cct RECEP BLACK WITH LARGE SEAL AND HEATSHRINK 93444-4601

- NOTES
1. SEE SHEET 2 FOR UNSPECIFIED NOTES AND DIMENSIONS
 2. BACK COVER HOUSING COLOUR: BLACK
 3. HEATSHRINK HOUSING COLOUR: BLACK

SEE SHEET 1
EC NO: IPG2015-1746
DRWN: JFLETCHER 2015/04/07
CHKD:
APPR: JWALLACE 2015/07/16

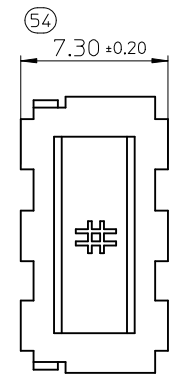
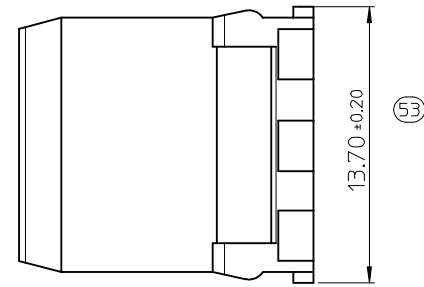
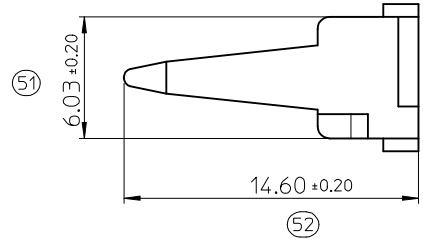
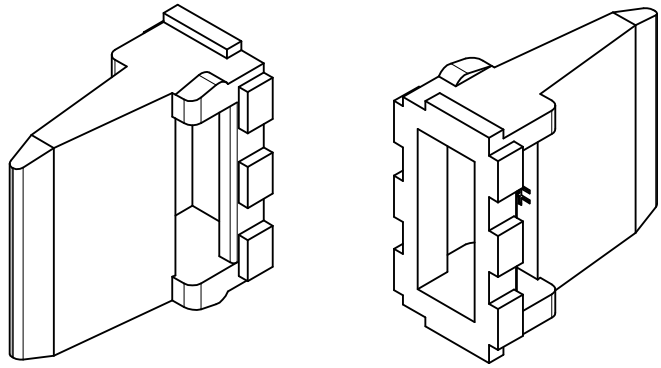
REV	DESCRIPTION
1	QUALITY SYMBOLS
	$\nabla=0$
	$\nabla=0$

GENERAL TOLERANCES (UNLESS SPECIFIED)	
	mm INCH
4 PLACES	\pm --- \pm ---
3 PLACES	\pm --- \pm ---
2 PLACES	\pm 0.10 \pm ---
1 PLACE	\pm 0.20 \pm ---
0 PLACE	\pm --- \pm ---
ANGULAR \pm 2 °	
DRAFT WHERE APPLICABLE MUST REMAIN WITHIN DIMENSIONS	

DIMENSION STYLE	
MM ONLY	
DRAWN BY	DATE
JFLETCHER	2014/04/23
CHECKED BY	DATE
APPROVED BY	DATE
JWALLACE	2014/10/01
MATERIAL NO.	
SEE NOTES	

SCALE	DESIGN UNITS	THIRD ANGLE PROJECTION
1.5:1	METRIC	
TITLE		
6CCT ML-XT CV CONNECTOR		
DOCUMENT NO.		SHEET NO.
SD-93443-004		3 OF 7
THIS DRAWING CONTAINS INFORMATION THAT IS PROPRIETARY TO MOLEX INCORPORATED AND SHOULD NOT BE USED WITHOUT WRITTEN PERMISSION		





6CCT RECEPTACLE WEDGELOCK

SERIES NO. 93447 4 0 --

CIRCUIT SIZE
4 = 6cct

COLOUR/CODING
03=GREEN

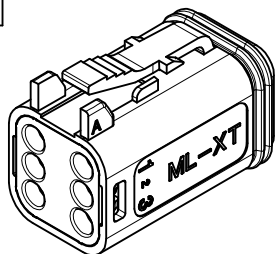
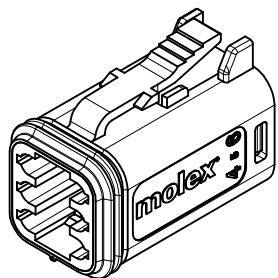
NOTES

1. MATERIAL
HOUSING: NYLON 30% GF
2. INSPECTION NUMBERS 51-100
RESERVED FOR SHEET 4
LAST INSPECTION NUMBER 54

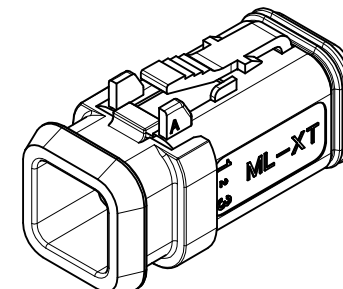
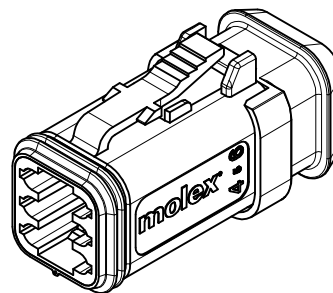
SEE SHEET 1 EC NO: IPG2015-1746 DRWN: JFLETCHER 2015/04/07 CHKD: APPR: JWALLACE 2015/07/16	QUALITY SYMBOLS	GENERAL TOLERANCES (UNLESS SPECIFIED)	DIMENSION STYLE	SCALE	DESIGN UNITS	THIRD ANGLE PROJECTION
	▼=0 □=0	mm INCH 4 PLACES ± --- ± --- 3 PLACES ± --- ± --- 2 PLACES ± 0.10 ± --- 1 PLACE ± 0.20 ± --- 0 PLACE ± --- ± ---	MM ONLY	2:1	METRIC	
	ANGULAR ± 2 ° DRAFT WHERE APPLICABLE MUST REMAIN WITHIN DIMENSIONS	DRAWN BY: JFLETCHER DATE: 2014/04/23 CHECKED BY: DATE: APPROVED BY: JWALLACE DATE: 2014/10/01 MATERIAL NO.:	TITLE: 6CCT ML-XT CV CONNECTOR DOCUMENT NO.: SD-93443-004 SHEET NO.: 4 OF 7			
	SEE NOTES THIS DRAWING CONTAINS INFORMATION THAT IS PROPRIETARY TO MOLEX INCORPORATED AND SHOULD NOT BE USED WITHOUT WRITTEN PERMISSION					

10 9 8 7 6 5 4 3 2 1

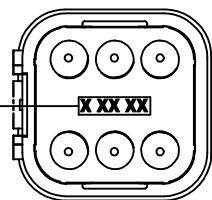
6CCT PLUG CONNECTOR



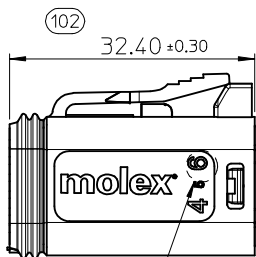
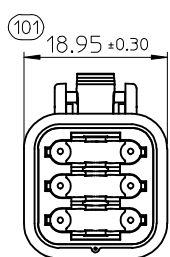
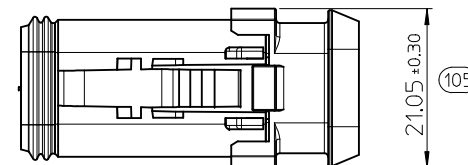
6CCT PLUG CONNECTOR WITH HEATSHRINK HOUSING ULTRASONICALLY WELDED IN PLACE



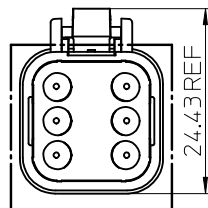
DATE CODE: X XX XX
 X — DAY: 1 - 7
 X — WEEK: 01 - 52
 X — YEAR: 00 - 99
 EXAMPLE: 11315 = DAY 1 OF WEEK 13 OF YEAR 15
 i.e. 23rd OF MARCH 2015



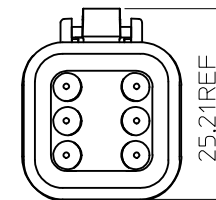
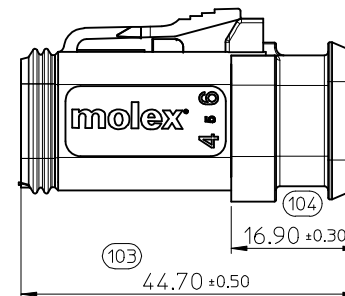
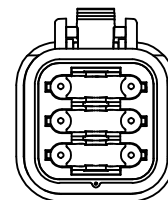
DETAIL 2 (ROTATED 90°)



NOTE 2



DETAIL 2



NOTES

- MATERIAL:
 HOUSING: NYLON 30% GF
 PLUG SEAL: SILICONE RUBBER
 BACK SEAL: HIGH CONSISTENCY RUBBER
- CIRCUIT IDENTIFICATION
- JACKET RANGE LARGE = Ø2.7MM TO 3.6MM (SEAL COLOUR: LIGHT BLUE)
 JACKET RANGE SMALL = Ø1.4MM TO 2.7MM (SEAL COLOUR: BURNT ORANGE)
- SEE SHEET 6 FOR FINAL PART NUMBER DESIGNATION
- INSPECTION NUMBERS 101-150 RESERVED FOR SHEET 5
 LAST INSPECTION NUMBER 105

SEE SHEET 1	DESCRIPTION
EC NO: IPG2015-1746	
DRWN: JFLETCHER 2015/04/07	
CHKD:	
APPR: JWALLACE 2015/07/16	
REV	

QUALITY SYMBOLS
▽=0
◻=0

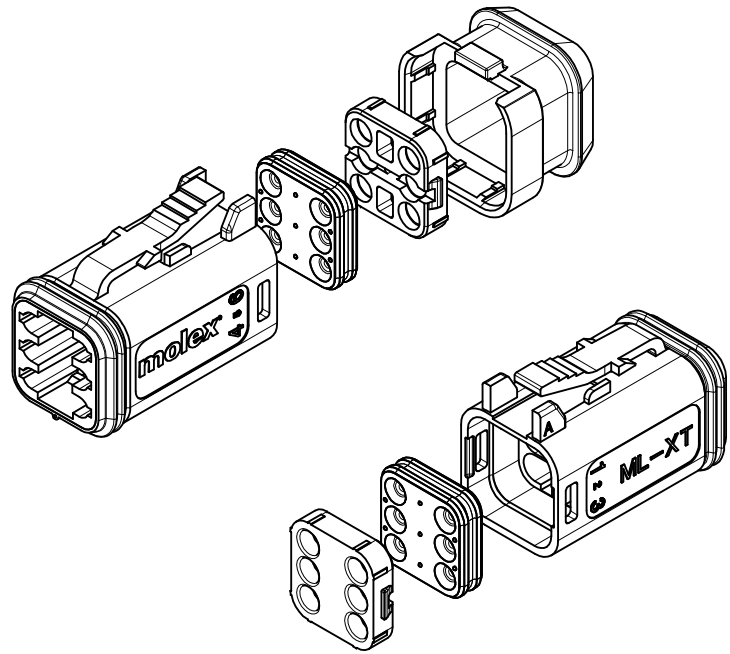
GENERAL TOLERANCES (UNLESS SPECIFIED)	mm	INCH
4 PLACES	± ---	± ---
3 PLACES	± ---	± ---
2 PLACES	± 0.10	± ---
1 PLACE	± 0.20	± ---
0 PLACE	± ---	± ---
ANGULAR ± 2 °		
DRAFT WHERE APPLICABLE MUST REMAIN WITHIN DIMENSIONS		

DIMENSION STYLE	MM ONLY
SCALE	1.5:1
DESIGN UNITS	METRIC
THIRD ANGLE PROJECTION	
DRAWN BY	JFLETCHER
DATE	2014/04/23
CHECKED BY	
DATE	
APPROVED BY	JWALLACE
DATE	2014/10/01
MATERIAL NO.	
SIZE	A3

TITLE	6CCT ML-XT CV CONNECTOR
molex	
DOCUMENT NO.	SD-93443-004
SHEET NO.	5 OF 7
THIS DRAWING CONTAINS INFORMATION THAT IS PROPRIETARY TO MOLEX INCORPORATED AND SHOULD NOT BE USED WITHOUT WRITTEN PERMISSION	

9 8 7 6 5 4 3 2 1

6CCT PLUG CONNECTOR



93445

4

-

--

SERIES NO.

CIRCUIT SIZE
4 = 6cct

ASSEMBLY OPTIONS

- 1 = PLUG ASSEMBLY FOR WIRE JACKET RANGE: ϕ 1.4mm-2.7mm (NOTE 2)
- 2 = PLUG ASSEMBLY FOR WIRE JACKET RANGE: ϕ 2.7mm-3.6mm (NOTE 2)
- 5 = PLUG ASSEMBLY & HEATSHR FOR WIRE JACKET RANGE: ϕ 1.4mm-2.7mm (NOTE 3)
- 6 = PLUG ASSEMBLY & HEATSHR FOR WIRE JACKET RANGE: ϕ 2.7mm-3.6mm (NOTE 3)

COLOUR

- 01=BLACK
- 02=GREY
- 03=GREEN
- 04=BLUE
- 05=YELLOW
- 06=WHITE
- 07=BROWN
- 08=ORANGE
- 09=RED

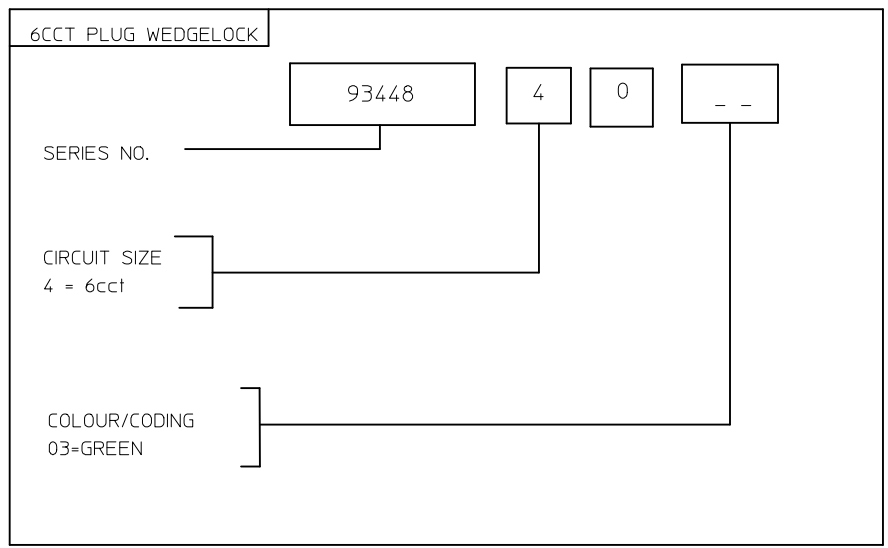
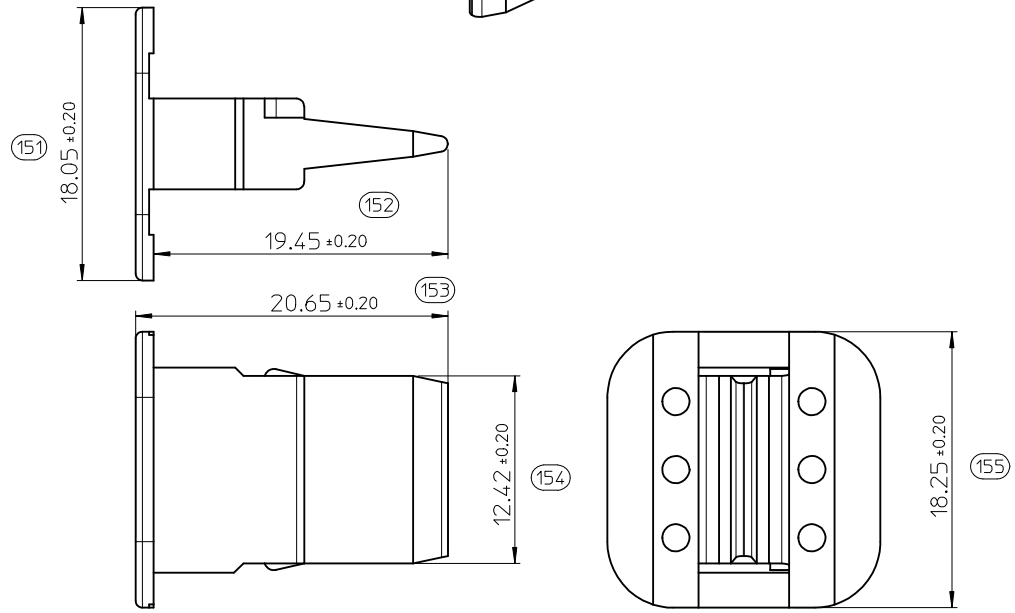
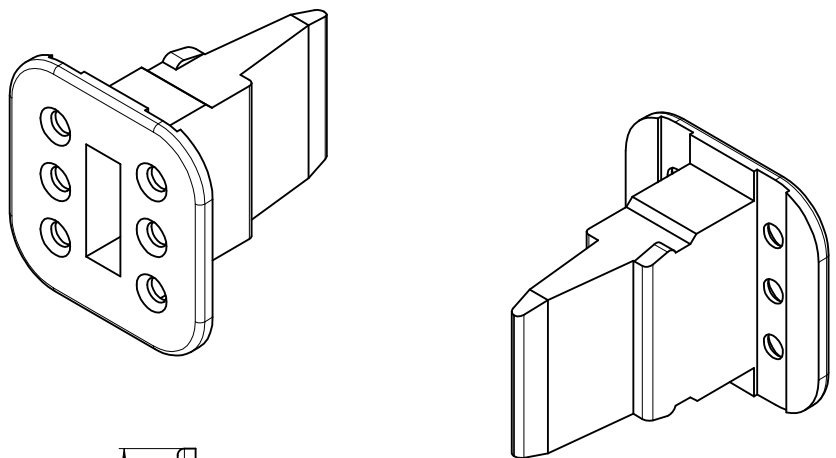
EXAMPLE:

6cct PLUG BLACK WITH LARGE SEAL AND HEATSHRINK = 93445-4601

NOTES

- 1. SEE SHEET 5 FOR UNSPECIFIED NOTES AND DIMENSIONS
- 2. BACK COVER HOUSING COLOUR: BLACK
- 3. HEATSHRINK HOUSING COLOUR: BLACK

SEE SHEET 1 EC NO: IPG2015-1746 DRWN: JFLETCHER 2015/04/07 CHKD: APPR: JWALLACE 2015/07/16 REV	QUALITY SYMBOLS	GENERAL TOLERANCES (UNLESS SPECIFIED)		DIMENSION STYLE MM ONLY		SCALE 1.5:1	DESIGN UNITS METRIC	THIRD ANGLE PROJECTION																																							
	$\nabla=0$ $\square=0$	<table border="1"> <thead> <tr> <th></th> <th>mm</th> <th>INCH</th> </tr> </thead> <tbody> <tr> <td>4 PLACES</td> <td>\pm---</td> <td>\pm---</td> </tr> <tr> <td>3 PLACES</td> <td>\pm---</td> <td>\pm---</td> </tr> <tr> <td>2 PLACES</td> <td>\pm0.10</td> <td>\pm---</td> </tr> <tr> <td>1 PLACE</td> <td>\pm0.20</td> <td>\pm---</td> </tr> <tr> <td>0 PLACE</td> <td>\pm---</td> <td>\pm---</td> </tr> </tbody> </table>		mm	INCH	4 PLACES	\pm ---	\pm ---	3 PLACES	\pm ---	\pm ---	2 PLACES	\pm 0.10	\pm ---	1 PLACE	\pm 0.20	\pm ---	0 PLACE	\pm ---	\pm ---	<table border="1"> <thead> <tr> <th>DRAWN BY</th> <th>DATE</th> <th>TITLE</th> </tr> </thead> <tbody> <tr> <td>JFLETCHER</td> <td>2014/04/23</td> <td>6CCT ML-XT CV CONNECTOR</td> </tr> <tr> <th>CHECKED BY</th> <th>DATE</th> <td></td> </tr> <tr> <td></td> <td></td> <td></td> </tr> </tbody> </table>	DRAWN BY	DATE	TITLE	JFLETCHER	2014/04/23	6CCT ML-XT CV CONNECTOR	CHECKED BY	DATE					<table border="1"> <thead> <tr> <th>APPROVED BY</th> <th>DATE</th> </tr> </thead> <tbody> <tr> <td>JWALLACE</td> <td>2014/10/01</td> </tr> </tbody> </table>		APPROVED BY	DATE	JWALLACE	2014/10/01	<table border="1"> <thead> <tr> <th>MATERIAL NO.</th> <th>DOCUMENT NO.</th> <th>SHEET NO.</th> </tr> </thead> <tbody> <tr> <td>SEE NOTES</td> <td>SD-93443-004</td> <td>6 OF 7</td> </tr> </tbody> </table>		MATERIAL NO.	DOCUMENT NO.	SHEET NO.	SEE NOTES	SD-93443-004	6 OF 7
		mm	INCH																																												
	4 PLACES	\pm ---	\pm ---																																												
	3 PLACES	\pm ---	\pm ---																																												
2 PLACES	\pm 0.10	\pm ---																																													
1 PLACE	\pm 0.20	\pm ---																																													
0 PLACE	\pm ---	\pm ---																																													
DRAWN BY	DATE	TITLE																																													
JFLETCHER	2014/04/23	6CCT ML-XT CV CONNECTOR																																													
CHECKED BY	DATE																																														
APPROVED BY	DATE																																														
JWALLACE	2014/10/01																																														
MATERIAL NO.	DOCUMENT NO.	SHEET NO.																																													
SEE NOTES	SD-93443-004	6 OF 7																																													
DRAFT WHERE APPLICABLE MUST REMAIN WITHIN DIMENSIONS		ANGULAR \pm 2 °		SIZE A3		THIS DRAWING CONTAINS INFORMATION THAT IS PROPRIETARY TO MOLEX INCORPORATED AND SHOULD NOT BE USED WITHOUT WRITTEN PERMISSION																																									



NOTES
 1. MATERIAL
 HOUSING: NYLON 30% GF
 2. INSPECTION NUMBERS 151-200 RESERVED FOR SHEET 7
 LAST INSPECTION NUMBER 155

SEE SHEET 1 EC NO: IPG2015-1746 DRWN: JFLETCHER 2015/04/07 CHKD: APPR: JWALLACE 2015/07/16	DESCRIPTION QUALITY SYMBOLS ▽=0 ◻=0	GENERAL TOLERANCES (UNLESS SPECIFIED)		DIMENSION STYLE MM ONLY		SCALE 3:1	DESIGN UNITS METRIC	THIRD ANGLE PROJECTION			
		4 PLACES ± --- ± ---	3 PLACES ± --- ± ---	DRAWN BY JFLETCHER	DATE 2014/04/23	TITLE 6CCT ML-XT CV CONNECTOR					
		2 PLACES ± 0.10 ± ---	1 PLACE ± 0.20 ± ---	CHECKED BY	DATE						
		0 PLACE ± --- ± ---	ANGULAR ± 2 °	APPROVED BY JWALLACE	DATE 2014/10/01	MATERIAL NO. SEE NOTES					
DRAFT WHERE APPLICABLE MUST REMAIN WITHIN DIMENSIONS		MATERIAL NO.		DOCUMENT NO. SD-93443-004	SHEET NO. 7 OF 7						

Компания «Океан Электроники» предлагает заключение долгосрочных отношений при поставках импортных электронных компонентов на взаимовыгодных условиях!

Наши преимущества:

- Поставка оригинальных импортных электронных компонентов напрямую с производств Америки, Европы и Азии, а так же с крупнейших складов мира;
- Широкая линейка поставок активных и пассивных импортных электронных компонентов (более 30 млн. наименований);
- Поставка сложных, дефицитных, либо снятых с производства позиций;
- Оперативные сроки поставки под заказ (от 5 рабочих дней);
- Экспресс доставка в любую точку России;
- Помощь Конструкторского Отдела и консультации квалифицированных инженеров;
- Техническая поддержка проекта, помощь в подборе аналогов, поставка прототипов;
- Поставка электронных компонентов под контролем ВП;
- Система менеджмента качества сертифицирована по Международному стандарту ISO 9001;
- При необходимости вся продукция военного и аэрокосмического назначения проходит испытания и сертификацию в лаборатории (по согласованию с заказчиком);
- Поставка специализированных компонентов военного и аэрокосмического уровня качества (Xilinx, Altera, Analog Devices, Intersil, Interpoint, Microsemi, Actel, Aeroflex, Peregrine, VPT, Syfer, Eurofarad, Texas Instruments, MS Kennedy, Miteq, Cobham, E2V, MA-COM, Hittite, Mini-Circuits, General Dynamics и др.);

Компания «Океан Электроники» является официальным дистрибьютором и эксклюзивным представителем в России одного из крупнейших производителей разъемов военного и аэрокосмического назначения «JONHON», а так же официальным дистрибьютором и эксклюзивным представителем в России производителя высокотехнологичных и надежных решений для передачи СВЧ сигналов «FORSTAR».



JONHON

«JONHON» (основан в 1970 г.)

Разъемы специального, военного и аэрокосмического назначения:

(Применяются в военной, авиационной, аэрокосмической, морской, железнодорожной, горно- и нефтедобывающей отраслях промышленности)

«FORSTAR» (основан в 1998 г.)

ВЧ соединители, коаксиальные кабели, кабельные сборки и микроволновые компоненты:

(Применяются в телекоммуникациях гражданского и специального назначения, в средствах связи, РЛС, а так же военной, авиационной и аэрокосмической отраслях промышленности).



Телефон: 8 (812) 309-75-97 (многоканальный)

Факс: 8 (812) 320-03-32

Электронная почта: ocean@oceanchips.ru

Web: <http://oceanchips.ru/>

Адрес: 198099, г. Санкт-Петербург, ул. Калинина, д. 2, корп. 4, лит. А