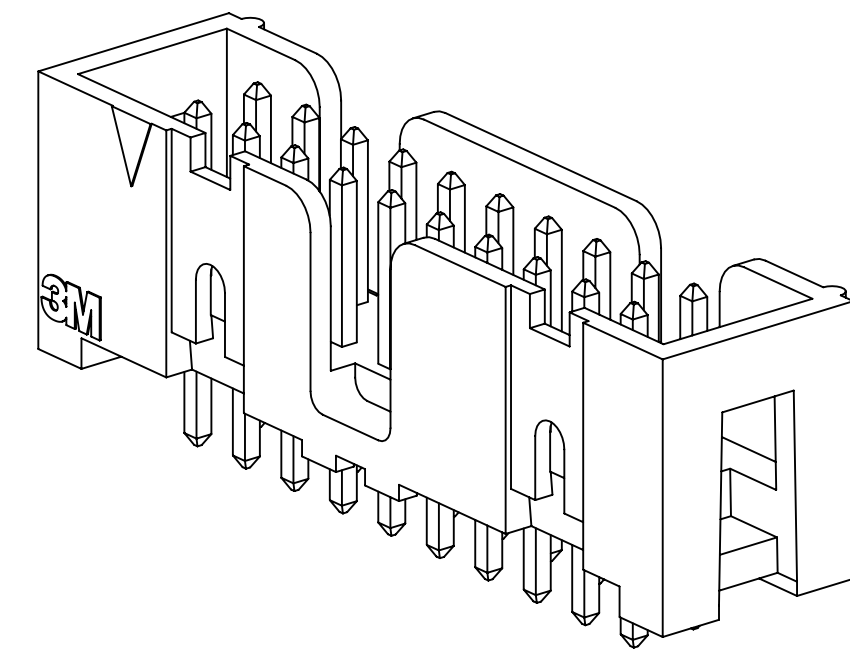
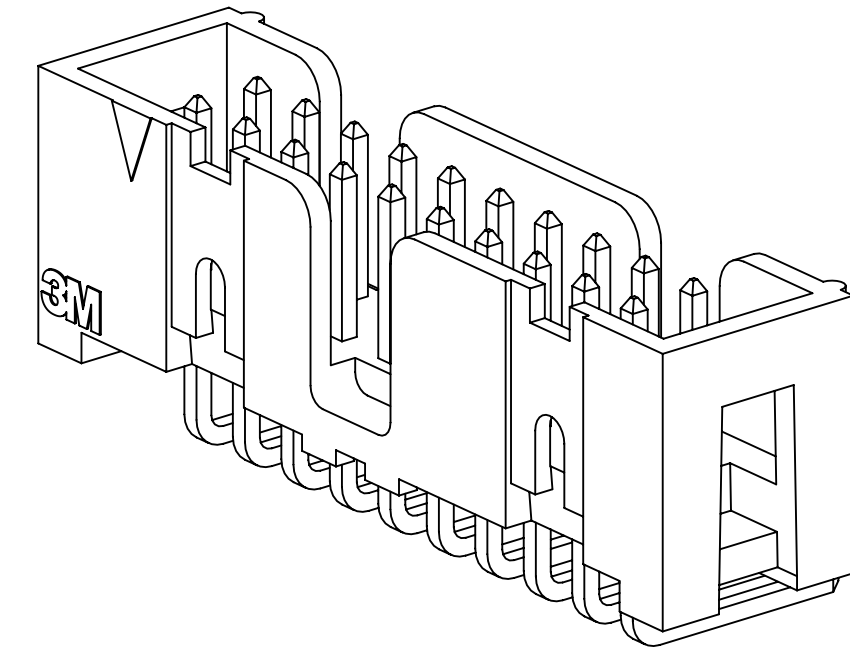


3M™ FOUR-WALL HEADER, 2500 SERIES

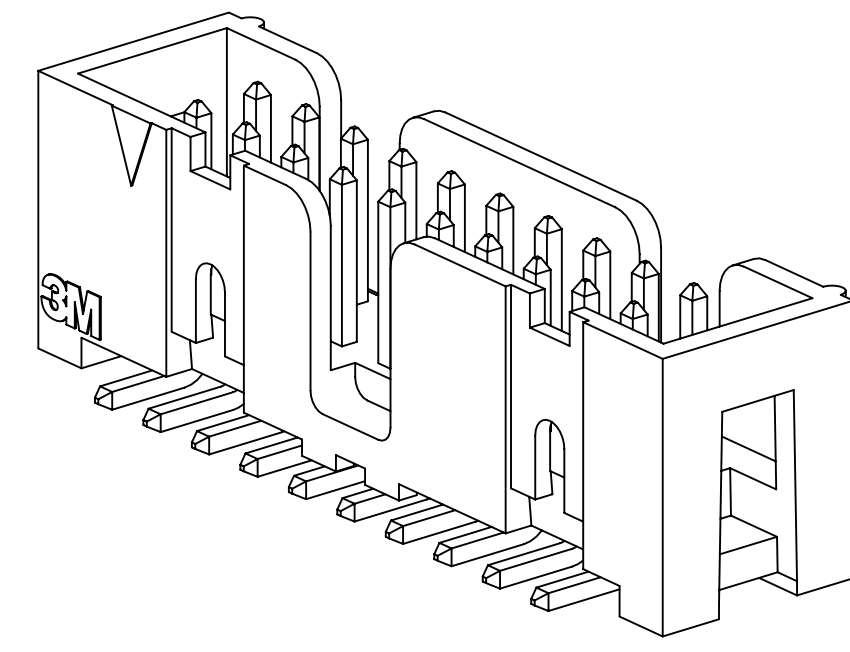
.100" X .100" LOW PROFILE, SURFACE MOUNT, STRAIGHT AND RIGHT ANGLE THROUGH-HOLE



25XX-60XX
STRAIGHT VERSION



25XX-50XX
RIGHT ANGLE VERSION



25XX-6VOC
SURFACE MOUNT VERSION

- * LOW PROFILE, SPACE SAVING DESIGN.
- * CENTER SLOT POLARIZATION PREVENTS MIS-INSERTIONS AND REDUCES INSERTION TIME.
- * DUAL SLOT POLARIZATION MEANS BROADER COMPATIBILITY WITH COMPETITIVE POLARIZATION DESIGNS (NOT AVAILABLE ON 6, 8 OR 10 POSITIONS).
- * OPTIONAL RETAINER CLIP FOR LOCKING SOCKETS IN PLACE AND INCREASING CONNECTION RELIABILITY IN VIBRATION-PRONE ENVIRONMENTS.
- * HIGH TEMPERATURE INSULATOR SUITABLE FOR "NO LEAD" SOLDERING OPERATIONS.
- * THROUGH HOLE VERSION SUITABLE FOR REFLOW SOLDERING USING "PASTE IN HOLE" TECHNIQUES.
- * EXPOSED SOLDER TAILS (ON RIGHT ANGLE VERSION) PROVIDE EASE OF CLEANING AND REDUCED REPAIR COST.
- * STRAIGHT SURFACE MOUNT VERSION AVAILABLE.

2 PHYSICAL :

INSULATOR:
 MATERIAL: GLASS FILLED POLYESTER (PCT)
 FLAMMABILITY: UL94V-0
 COLOR: BLACK
 CONTACT:
 MATERIAL: COPPER ALLOY
 PLATING:
 UNDER PLATING: 100µ" [2.54µm] NICKEL-OVERALL
 WIPING AREA: AVG. GOLD (SEE ORDERING INFORMATION)
 SOLDER TAILS: 200µ" [5.08µm] TIN LEAD OR MATTE TIN (SEE ORDERING INFORMATION)
 MARKINGS: 3M LOGO, PART IDENTIFICATION NUMBER AND ORIENTATION TRIANGLE

2 ELECTRICAL :

CURRENT RATING: 5.00A, 1 CONTACT POWERED
 3.00A, 6 CONTACTS POWERED
 1.75A, ALL CONTACTS POWERED
 RATING CONDITIONS: EIA-364-070 METHOD 2, 30°C MAXIMUM TEMPERATURE RISE, 20% DERATED. REFERENCE APPROPRIATE 3M PRODUCT SPECIFICATION FOR DETAILED CURRENT DERATING CURVES.
 INSULATION RESISTANCE: >1 X 10⁹Ω AT 500 V_{DC}
 WITHSTANDING VOLTAGE: 1,000V_{RMS} AT SEA LEVEL

2 ENVIRONMENTAL :

TEMPERATURE RATING: -55°C TO 105°C
 PROCESS RATING: 260°C, PER J-STD-020C, SINGLE PASS
 MOISTURE SENSITIVITY LEVEL: 1 (PER J-STD-020C)

- NOTES
1. REGULATORY INFORMATION: ROHS COMPLIANT. SEE THE REGULATORY INFORMATION APPENDIX (RIA) IN THE "ROHS COMPLIANCE" SECTION OF WWW.3MCONNECTORS.COM FOR COMPLIANCE INFORMATION.
 2. IN THE EVENT OF CONFLICT BETWEEN THIS DATA AND THAT CONTAINED IN THE PRODUCT SPECIFICATION, THE PRODUCT SPECIFICATION TAKES PRECEDENT.
 3. NOTCHES A & C WILL ACCOMODATE 3M POLARIZING KEY: N3518.
 4. CONTACT TAILS .0245 [.622] WIRE WITH .0075 [.191] CORNER RADIUS AND .028 [.072] DIAGONAL.
 5. SOLDER STANDOFFS FACILITATE .01 [.3] CLEARANCE ABOVE BOARD FOR REFLOW SOLDERING.

3M ELECTRONIC MATERIALS SOLUTIONS DIVISION
INTERCONNECT SOLUTIONS
<http://www.3mconnectors.com>

3M IS A TRADEMARK OF 3M COMPANY.
FOR TECHNICAL, SALES OR ORDERING INFORMATION CALL 800-225-5373

UL FILE NO: E68080

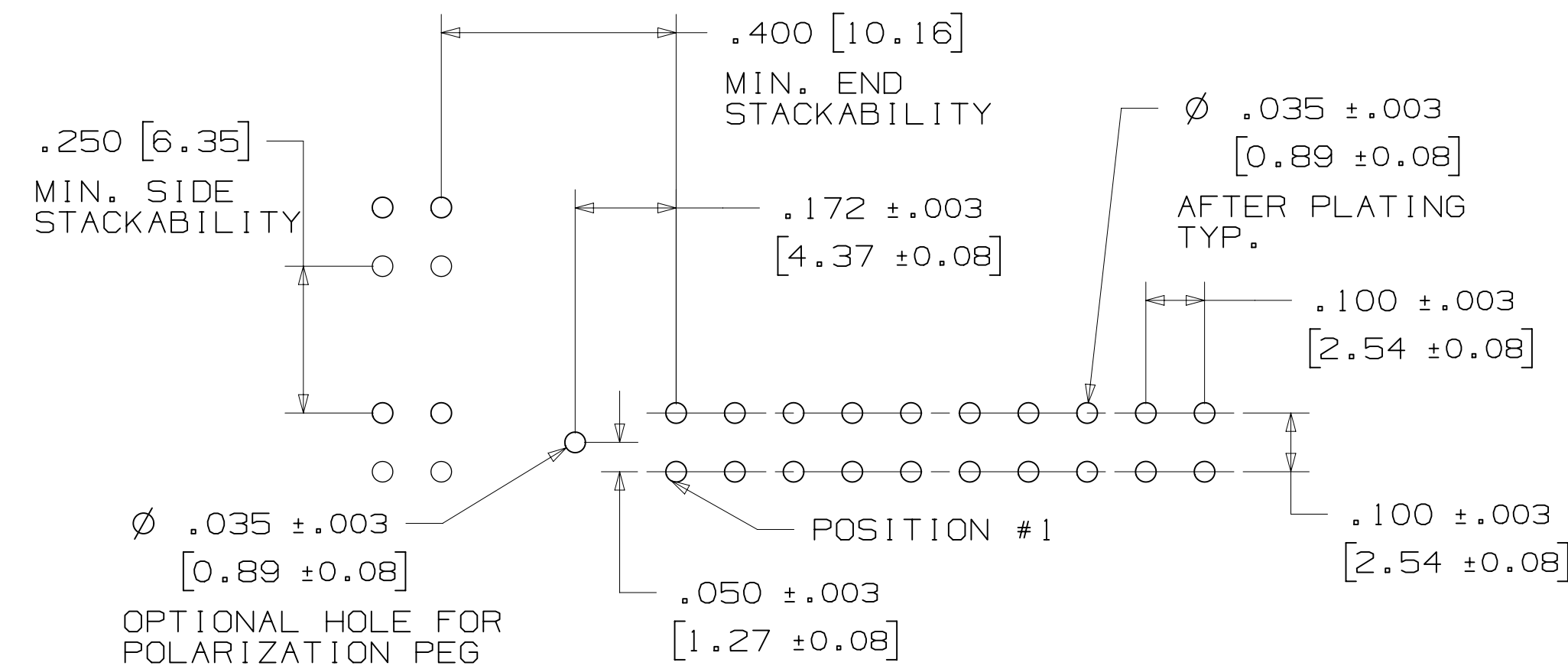
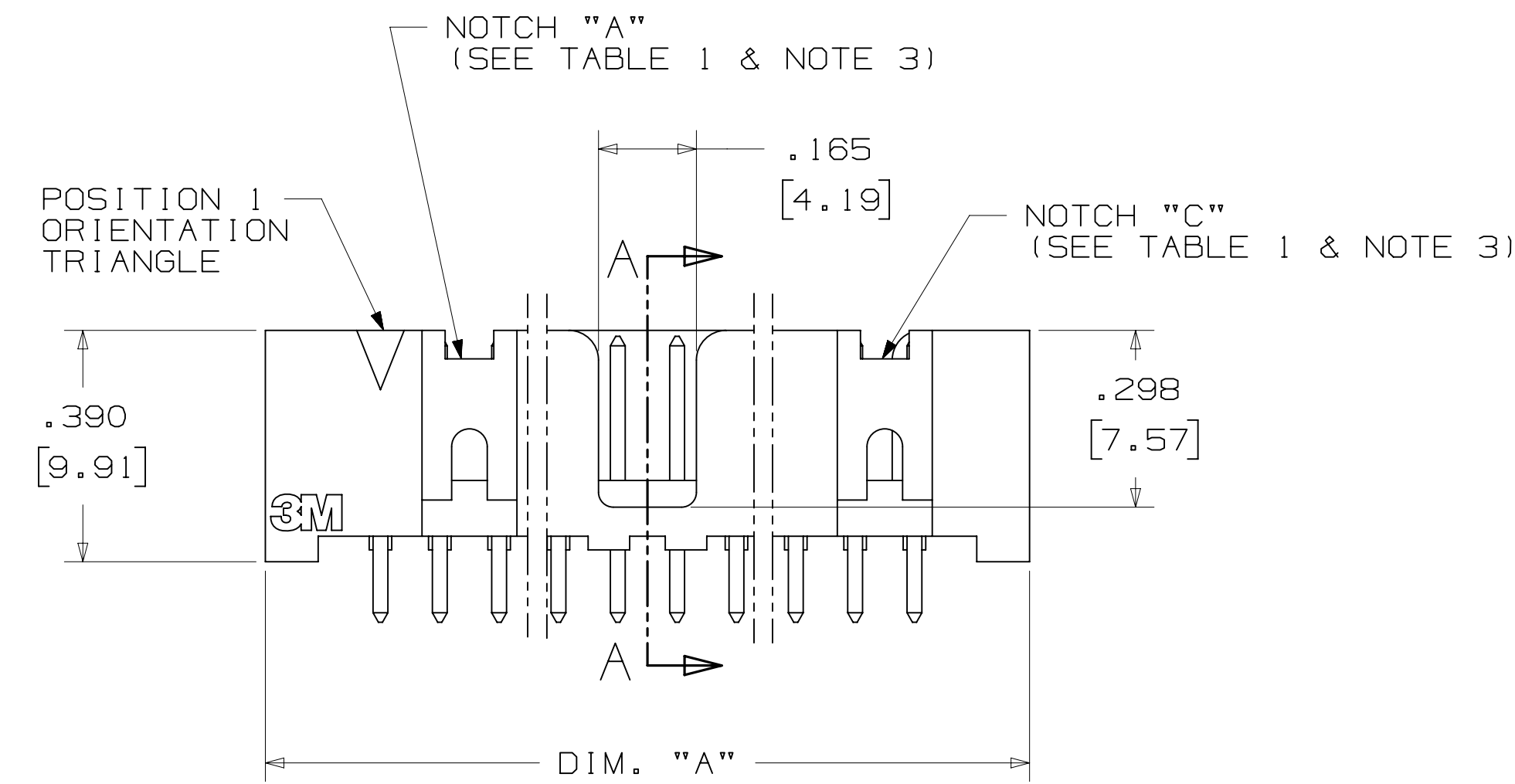
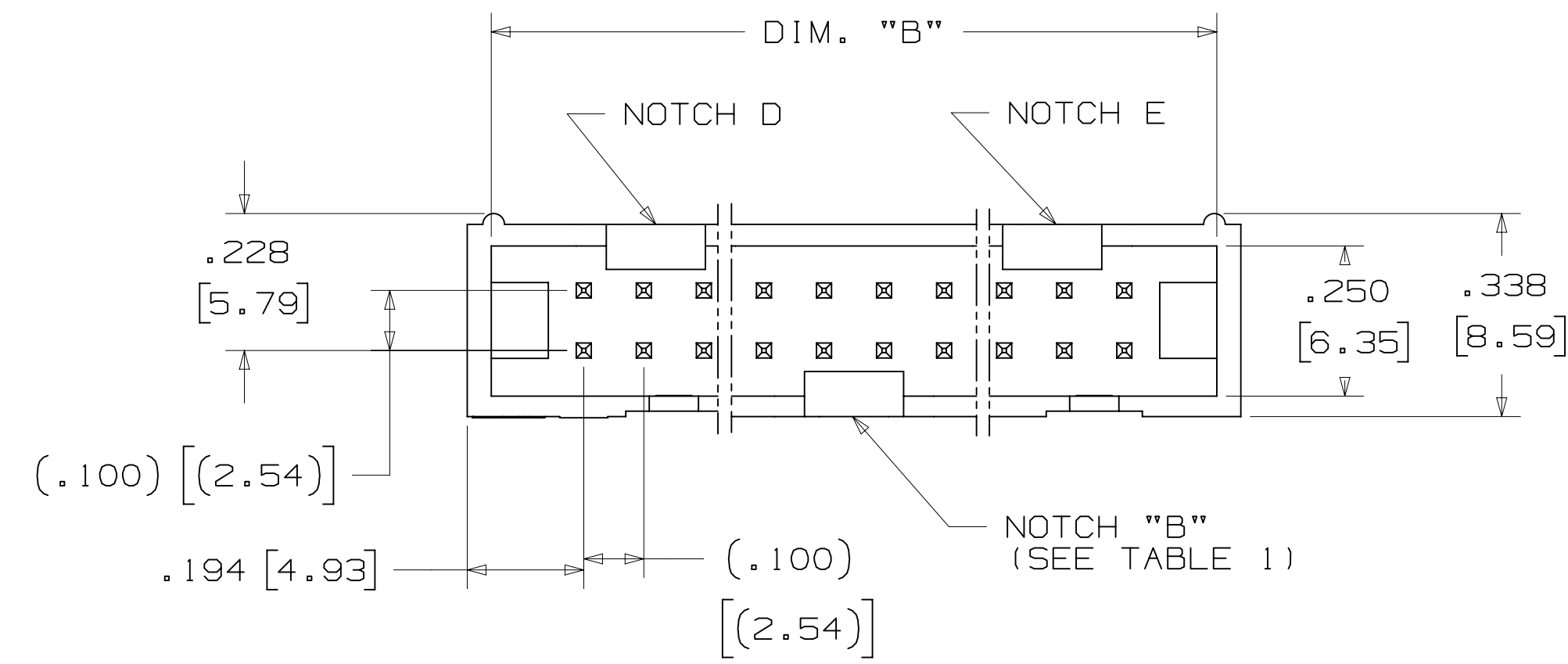
DIMENSIONS: INCHES [MM]
[MM] IS REF. ONLY

DESIGN REFERENCE	NEXT ASSEMBLY	REV	ECO	ISSUE DATE AND DESCRIPTION	DRFT	CHKD
DIVISION	DIVISION CODE	CAGE NUMBER	SIZE	DRAWING NO.	REV.	
Interconnect Solutions	EMSD	3M Center St. Paul, MN 55144	D	78-5100-0770-7	N	
DO NOT SCALE DRAWING	SCALE	TOLERANCES EXCEPT AS NOTED	TITLE			
	4	INCHES .0 ± .01 .000 ± .005 .0000 ±	HEADER, 4-WALL, LO-PRO, .100 X .100, SMT, STRAIGHT & RA			
THIRD ANGLE PROJECTION	INTERPRET PER ASME Y14.5 - 2009	MILLIMETERS 0 ± .0 ± .3 .00 ± .13 .000 ±	CAGE NUMBER	SIZE	DRAWING NO.	REV.
			D	78-5100-0770-7	N	
MAX SURFACE ROUGHNESS SURFACES			MODEL	2500 SERIES	DET	ISTS
					YES	NO
					SHT	1 OF 5

3M™ FOUR-WALL HEADER, 2500 SERIES
 .100" X .100" LOW PROFILE, SURFACE MOUNT, STRAIGHT AND RIGHT ANGLE THROUGH-HOLE



TABLE 1				
PIN QTY.	DIM. "A"	DIM. "B"	POLARIZING NOTCHES	PIN QTY.
06	.588 [14.94]	.508 [12.90]	B	06
08	.688 [17.48]	.608 [15.44]	B	08
10	.788 [20.02]	.708 [17.98]	BC	10
14	.988 [25.10]	.908 [23.06]	BCDE	14
16	1.088 [27.64]	1.008 [25.60]	ABCDE	16
20	1.288 [32.72]	1.208 [30.68]	ABCDE	20
24	1.488 [37.80]	1.408 [35.76]	ABCDE	24
26	1.588 [40.34]	1.508 [38.30]	ABCDE	26
30	1.788 [45.42]	1.708 [43.38]	ABCDE	30
34	1.988 [50.50]	1.908 [48.46]	ABCDE	34
36	2.088 [53.04]	2.008 [51.00]	ABCDE	36
40	2.288 [58.12]	2.208 [56.08]	ABCDE	40
50	2.788 [70.82]	2.708 [68.78]	ABCDE	50
60	3.288 [83.52]	3.208 [81.48]	ABCDE	60
64	3.488 [88.60]	3.408 [86.56]	ABCDE	64



ORDERING INFORMATION
 STRAIGHT VERSION

X25XX-60XX-XX

N = HIGH TEMP BLACK (PCT)
 (RB, UB OR UG PLATING REQ'D)
 BLANK = (UB OR UG PLATING)

PIN QUANTITY:
 (SEE TABLE 1)

SOLDER TAIL:
 02 = FOR .062 [1.57] THICK BOARD
 03 = FOR .094 TO .125 [2.39 TO 3.18]
 THICK BOARD

PLATING:
 RB = 30µ" [0.76µm] AVG. GOLD
 200µ" [5.08µm] MATTE TIN (RIA, E1 & C1 APPLY)
 UG = 15µ" [0.38µm] AVG. GOLD
 200µ" [5.08µm] 60:40 TIN-LEAD SOLDER TAILS
 (RIA E3 & C2 APPLY)
 UB = 30µ" [0.76µm] AVG. GOLD
 200µ" [5.08µm] 60:40 TIN LEAD SOLDER TAILS
 (RIA E3 & C2 APPLY)

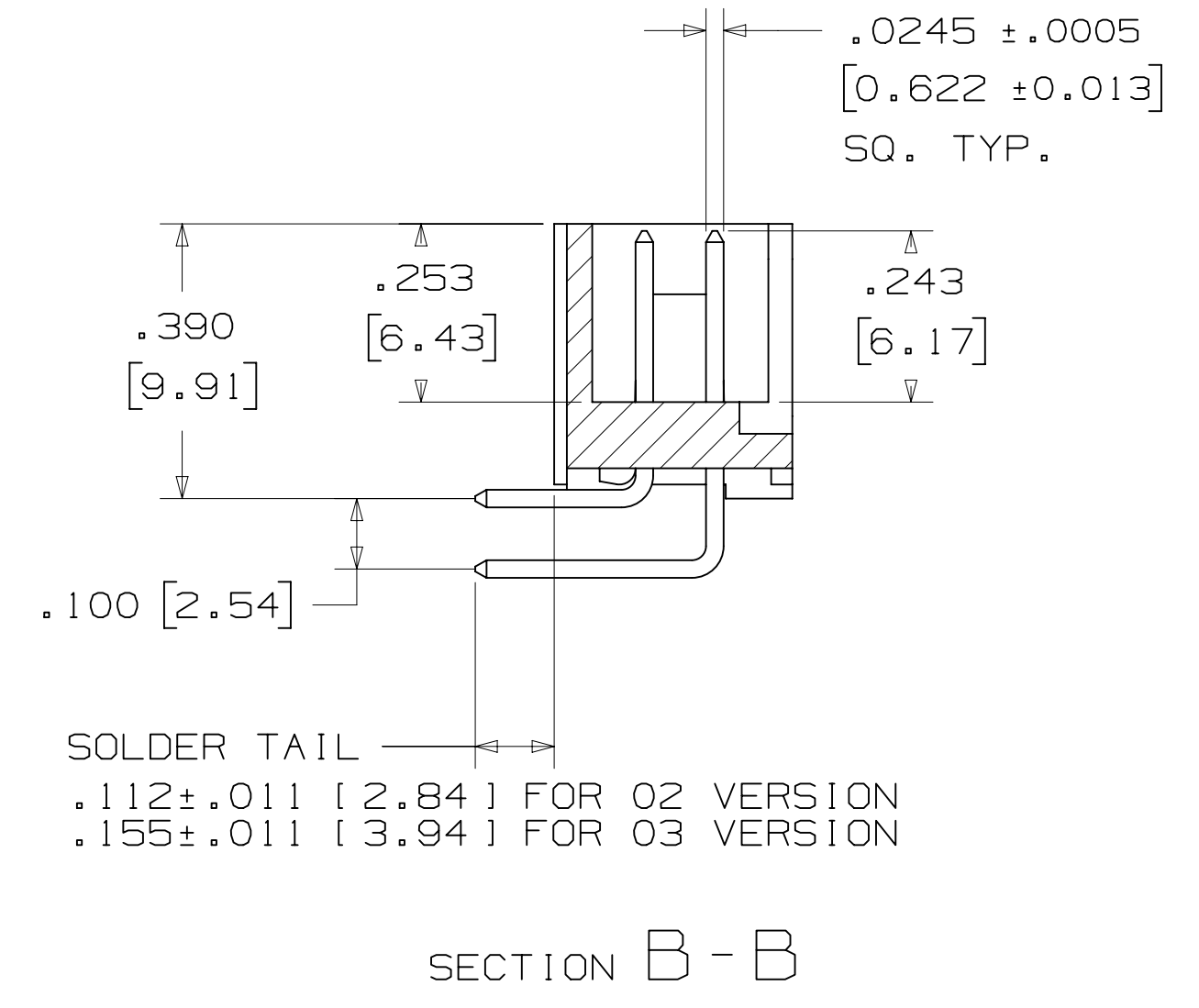
RECOMMENDED HOLE PATTERN
 SHOWN FROM COMPONENT SIDE

DESIGN REFERENCE	NEXT ASSEMBLY	REV	ECO	ISSUE DATE AND DESCRIPTION	DRFT	CHKD
DO NOT SCALE DRAWING	SCALE 4/1	TOLERANCES EXCEPT AS NOTED		INCHES		
THIRD ANGLE PROJECTION		MILLIMETERS		REV.		
INTERPRET PER ASME Y14.5 - 2009		.00 ± .01 .000 ± .005 .0000 ±		CAGE NUMBER		
MAX SURFACE ROUGHNESS		.00 ± .3 .00 ± .13 .000 ±		DRAWING NO.		
MARKED ONLY		ANGLES		NUMBER		
				D 78-5100-0770-7		
				MODEL		
				2500 SERIES		
				REV.		
				N		
				SHT 2 OF 5		

78-5100-0770-7
 N
 DRAWING NUMBER
 REVISION
 11:10 AM UTC-05:00
 Imaged: N.1 B/5/2016

3M™ FOUR-WALL HEADER, 2500 SERIES

.100" X .100" LOW PROFILE, SURFACE MOUNT, STRAIGHT AND RIGHT ANGLE THROUGH-HOLE



SOLDER TAIL
 .112±.011 [2.84] FOR 02 VERSION
 .155±.011 [3.94] FOR 03 VERSION

TABLE 1				
PIN QTY.	DIM. "A"	DIM. "B"	POLARIZING NOTCHES	PIN QTY.
06	.588 [14.94]	.508 [12.90]	B	06
08	.688 [17.48]	.608 [15.44]	B	08
10	.788 [20.02]	.708 [17.98]	BC	10
14	.988 [25.10]	.908 [23.06]	BCDE	14
16	1.088 [27.64]	1.008 [25.60]	ABCDE	16
20	1.288 [32.72]	1.208 [30.68]	ABCDE	20
24	1.488 [37.80]	1.408 [35.76]	ABCDE	24
26	1.588 [40.34]	1.508 [38.30]	ABCDE	26
30	1.788 [45.42]	1.708 [43.38]	ABCDE	30
34	1.988 [50.50]	1.908 [48.46]	ABCDE	34
36	2.088 [53.04]	2.008 [51.00]	ABCDE	36
40	2.288 [58.12]	2.208 [56.08]	ABCDE	40
50	2.788 [70.82]	2.708 [68.78]	ABCDE	50
60	3.288 [83.52]	3.208 [81.48]	ABCDE	60
64	3.488 [88.60]	3.408 [86.56]	ABCDE	64

ORDERING INFORMATION RIGHT ANGLE VERSION

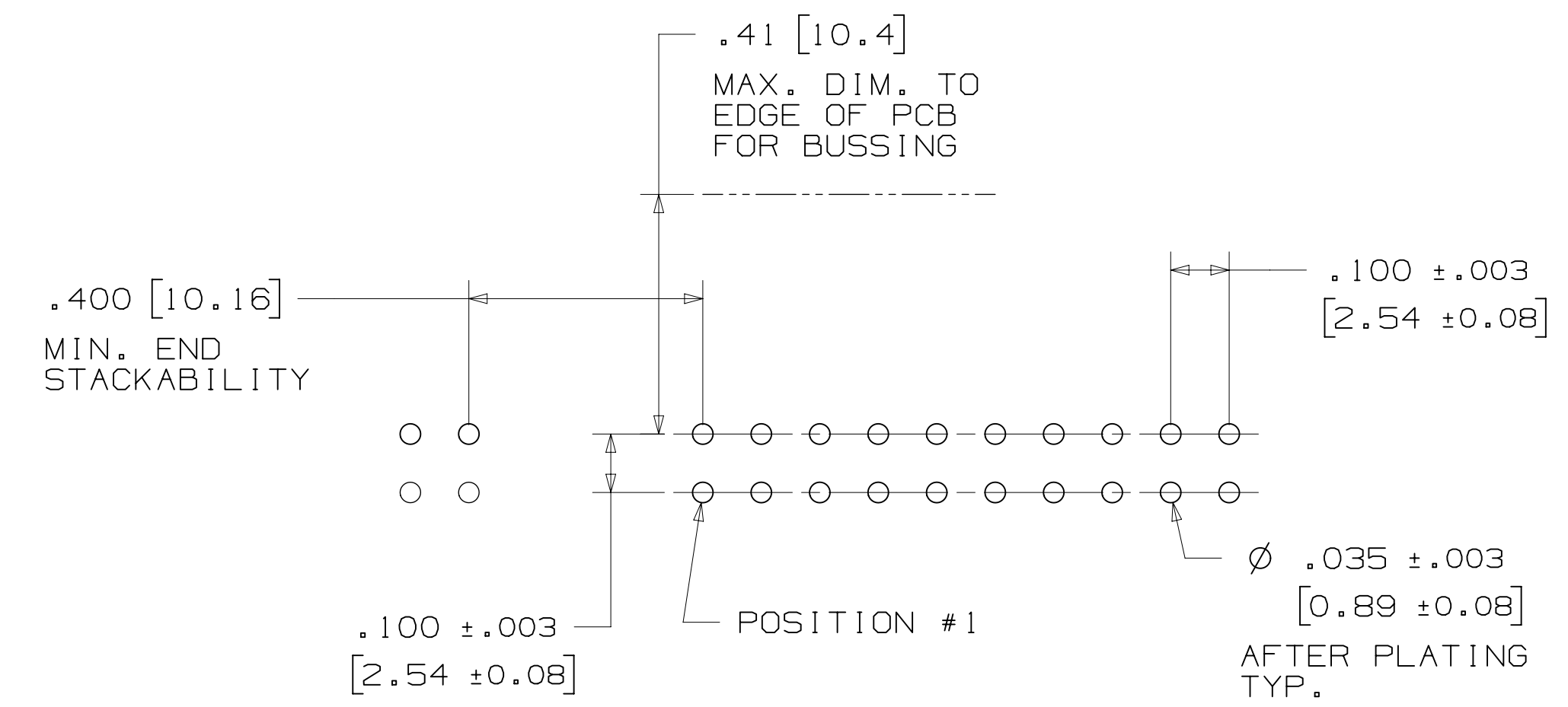
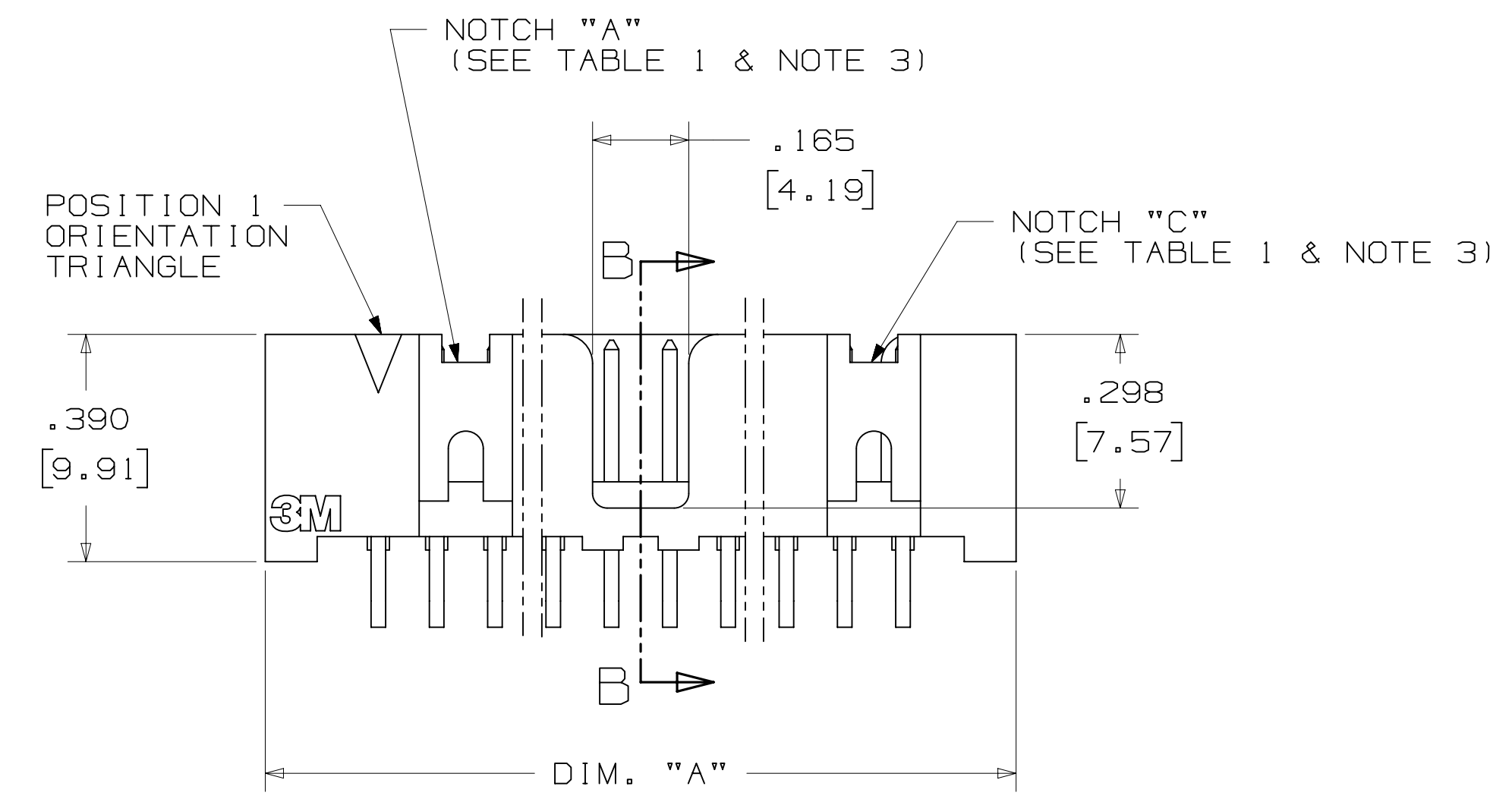
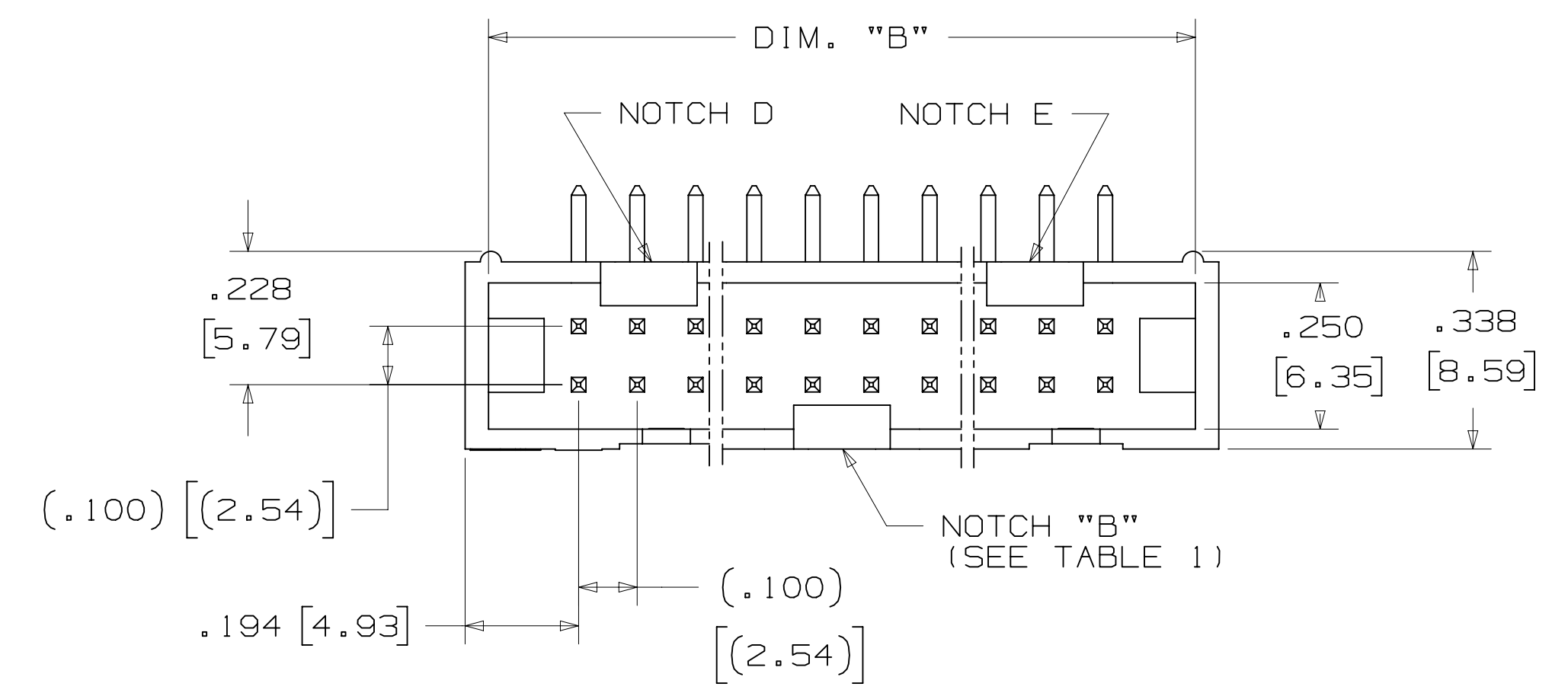
X25XX-50XX-XX

N= HIGH TEMP BLACK (PCT)
 (RB, UB OR UG PLATING REQ'D)
 BLANK= (UB OR UG PLATING)

PIN QUANTITY:
 (SEE TABLE 1)

SOLDER TAIL:
 02 = FOR .062 [1.57] THICK BOARD
 03 = FOR .094 TO .125 [2.39 TO 3.18]
 THICK BOARD

PLATING:
 RB = 30μ" [0.76μm] AVG. GOLD
 200μ" [5.08μm] MATTE TIN (RIA, E1 & C1 APPLY)
 UG = 15μ" [0.38μm] AVG. GOLD
 200μ" [5.08μm] 60:40 TIN-LEAD SOLDER TAILS
 (RIA E3 & C2 APPLY)
 UB = 30μ" [0.76μm] AVG. GOLD
 200μ" [5.08μm] 60:40 TIN LEAD SOLDER TAILS
 (RIA E3 & C2 APPLY)



RECOMMENDED HOLE PATTERN SHOWN FROM COMPONENT SIDE

DESIGN REFERENCE	NEXT ASSEMBLY	REV	ECO	ISSUE DATE AND DESCRIPTION	DRFT	CHKD
DIVISION		DIVISION CODE		DATE		
Interconnect Solutions		EMSD		AUG 11, 2014		
DO NOT SCALE DRAWING	SCALE	TOLERANCES EXCEPT AS NOTED		DATE		
	4	INCHES		AUG 11, 2014		
	1	MILLIMETERS		MFG		
		0 ±		R. SCHERER		
		.00 ± .01		DATE		
		.000 ± .005		SEP 05, 2014		
		.0000 ±		DATE		
		0 ±		MFG		
		.0 ± .3		DATE		
		.00 ± .13		MFG		
		.000 ±		DATE		
		ANGLES		MFG		
INTERPRET PER ASME Y14.5 - 2009		CAGE NUMBER		REV.		
		D 78-5100-0770-7		N		
MAX SURFACE ROUGHNESS		MODEL		SHT 3 OF 5		
SURFACES		2500 SERIES				
MARKED ONLY						

N	68908	AUG 02, 2016	JNC	SC
M	56068	AUG 11, 2014	JNC	RS

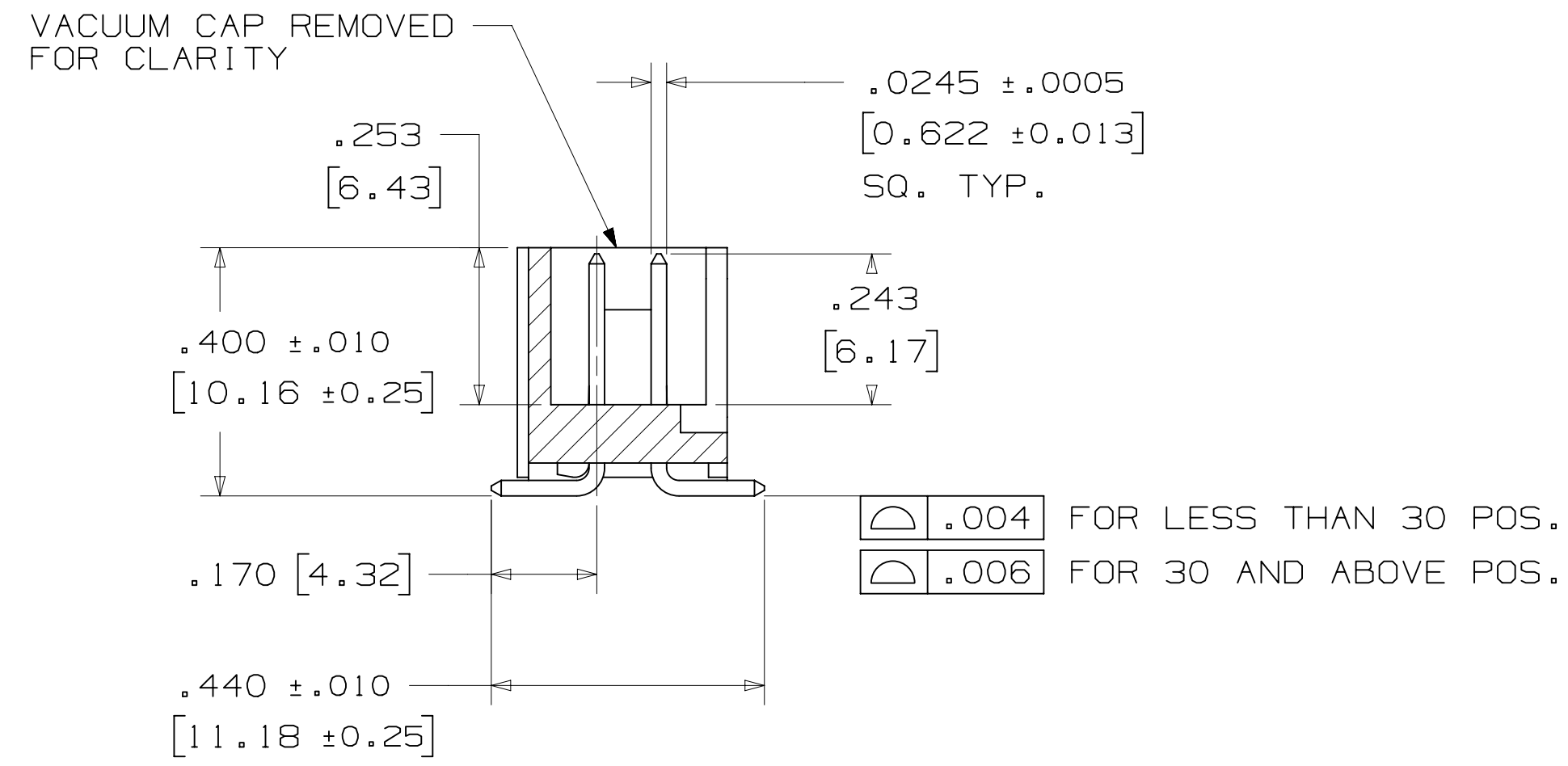
© 3M COPYR [GHT 2016
 3M Center
 St. Paul,
 MN 55144
 This document and the information it contains are
 3M property and may not be reproduced or further
 distributed without 3M permission, or used or
 disclosed other than for 3M authorized purposes.
 All rights reserved.

HEADER, 4-WALL,
 LO-PRO, .100 X .100,
 SMT, STRAIGHT & RA

78-5100-0770-7
 DRAWING NUMBER
 N
 REVISION
 11:10 AM UTC-05:00
 Imaged: N.1 B/5/2016

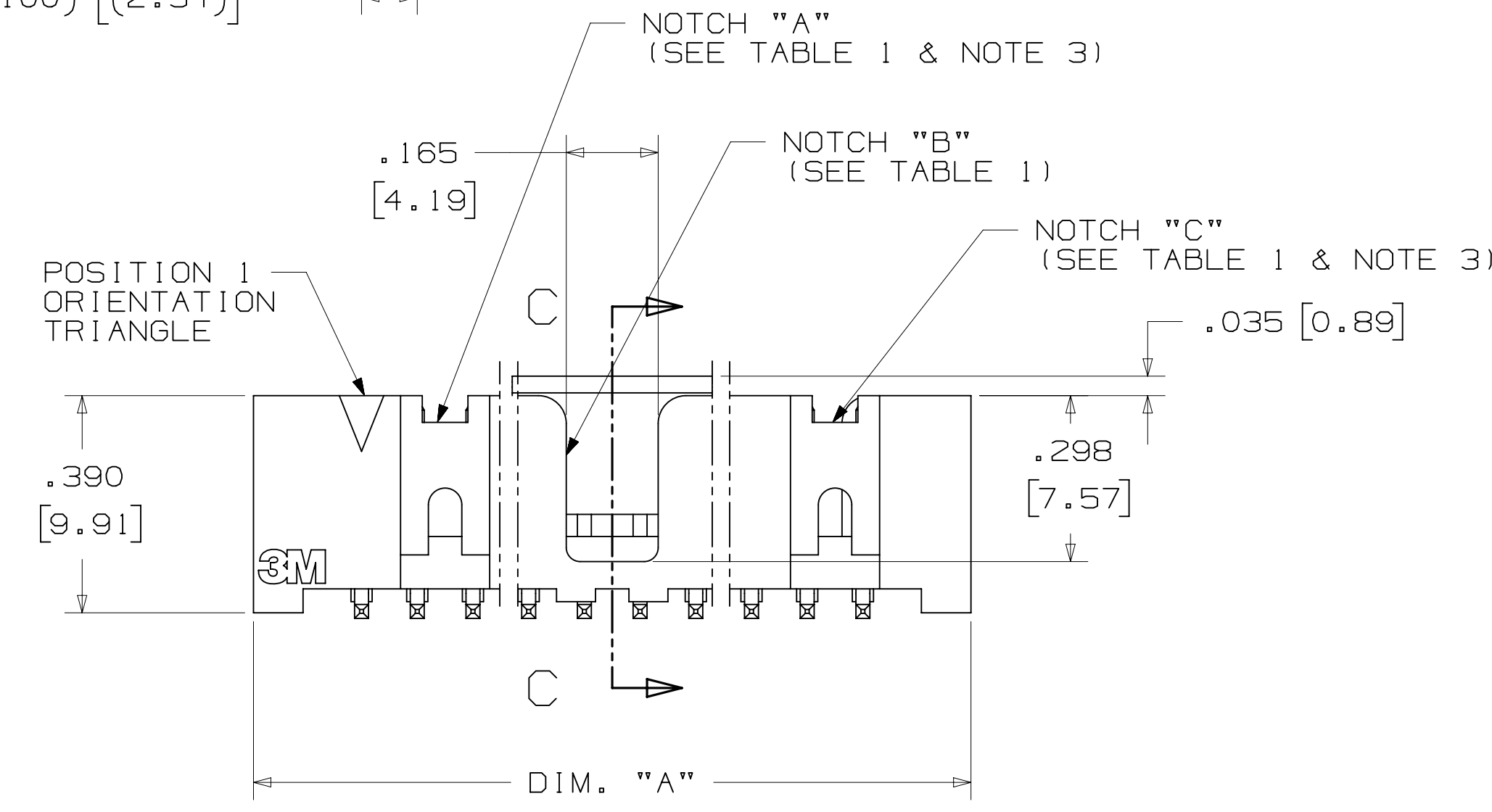
3M™ FOUR-WALL HEADER, 2500 SERIES

.100" X .100" LOW PROFILE, SURFACE MOUNT, STRAIGHT AND RIGHT ANGLE THROUGH-HOLE



SECTION C - C

TABLE 1					
PIN QTY.	DIM. "A"	DIM. "B"	POLARIZING NOTCHES	TAPE AND REEL PKG CODE	PIN QTY.
06	.588 [14.94]	.508 [12.90]	B	WD (44 MM)	06
08	.688 [17.48]	.608 [15.44]	B	WD (44 MM)	08
10	.788 [20.02]	.708 [17.98]	BC	WD (44 MM)	10
14	.988 [25.10]	.908 [23.06]	BCDE	WD (44 MM)	14
16	1.088 [27.64]	1.008 [25.60]	ABCDE	WD (44 MM)	16
20	1.288 [32.72]	1.208 [30.68]	ABCDE	WE (56 MM)	20
24	1.488 [37.80]	1.408 [35.76]	ABCDE	WE (56 MM)	24
26	1.588 [40.34]	1.508 [38.30]	ABCDE	WE (56 MM)	26
30	1.788 [45.42]	1.708 [43.38]	ABCDE	WF (72 MM)	30
34	1.988 [50.50]	1.908 [48.46]	ABCDE	WF (72 MM)	34
36	2.088 [53.04]	2.008 [51.00]	ABCDE	WG (88 MM)	36
40	2.288 [58.12]	2.208 [56.08]	ABCDE	WG (88 MM)	40
50	2.788 [70.82]	2.708 [68.78]	ABCDE	WG (88 MM)	50
60	3.288 [83.52]	3.208 [81.48]	ABCDE	WH (120 MM)	60
64	3.488 [88.60]	3.408 [86.56]	ABCDE	WH (120 MM)	64



RECOMMENDED PAD LAYOUT

ORDERING INFORMATION SURFACE MOUNT VERSION

N25XX-6VOC-XX-XX

N = HIGH TEMP BLACK (PCT) (RB PLATING REQ'D)

PIN QUANTITY: (SEE TABLE 1)

PACKAGING OPTIONS: WX = TAPE & REEL PACKAGING (SEE TABLE 1)

PLATING: RB = 30μ" [0.76μm] AVG. GOLD 200μ" [5.08μm] MATTE TIN (RIA, E1 & C1 APPLY)

DESIGN REFERENCE	NEXT ASSEMBLY	REV	ECO	ISSUE DATE AND DESCRIPTION	DRFT	CHKD
				AUG 11, 2014		
DIVISION	DIVISION CODE	DRFT	DATE	MFG	DATE	
Interconnect Solutions	EMSD	CASTIGLIONE	AUG 11, 2014			
DO NOT SCALE DRAWING	SCALE 4/1	TOLERANCES EXCEPT AS NOTED				
THIRD ANGLE PROJECTION	INTERPRET PER ASME Y14.5 - 2009	TOLERANCES EXCEPT AS NOTED	© 3M COPYRIGHT 2016 This document and the information it contains are 3M property and may not be reproduced or further distributed without 3M permission, or used or disclosed other than for 3M authorized purposes. All rights reserved.			
MAX SURFACE ROUGHNESS	MARKED ONLY	TITLE	HEADER, 4-WALL, LO-PRO, .100 X .100, SMT, STRAIGHT & RA			
		CAGE NUMBER	SIZE	DRAWING NO.	REV.	
		D78-5100		7	N	
		MODEL	2500 SERIES	DET	IS1s	YES X NO
				SHT	4	OF 5

N REVISION
 78-5100-0770-7 DRAWING NUMBER
 B
 A
 Imaged: N.1 B/5/2016 11:10 AM UTC-05:00

3M™ FOUR-WALL HEADER, 2500 SERIES
 .100" X .100" LOW PROFILE, SURFACE MOUNT, STRAIGHT AND RIGHT ANGLE THROUGH-HOLE

PART CUSTOMIZATION

THIS SPEC SHEET DETAILS OUR STANDARD OFFERING.
 3M HAS SEVERAL CAPABILITIES THAT CAN PROVIDE A PART TAILORED TO YOUR SPECIFIC NEEDS. ASK YOUR 3M SALES REPRESENTATIVE OR CUSTOMER SERVICE FOR MORE DETAILS.
 * SELECTIVE PIN REMOVAL (FOR BOARD ASSEMBLY POLARIZATION).
 * DIFFERENT PIN LENGTHS.

LOW PROFILE LATCH



PART NO.	MATERIAL	COLOR
3505-33B	NYLON	BLACK

NOTE:
 LATCHES NOT COMPATIBLE WITH REFLOW SOLDERING.
 ATTACH LATCHES AFTER SOLDERING.

POLARIZING POST



PART NO.	MATERIAL	COLOR
3201-3	PCT	BLACK

POLARIZING KEY



3M PART NO.	MATERIAL	COLOR	DIM. "A"
N3518	LCP	BLACK	.02

NOTE:
 #2216 B/A SCOTCHWELD CAN BE USED TO ADHERE KEYS.

SHORT/LONG SOCKET RETAINER CLIP



PIN QTY.	DIM. "A"
06	N/A
08	N/A
10	.81 [20.6]
14	1.02 [25.9]
16	1.12 [28.4]
20	1.32 [33.5]
24	1.52 [38.7]
26	1.63 [41.4]
30	1.83 [46.4]
34	2.03 [51.6]
36	N/A
40	2.33 [59.2]
50	2.83 [71.9]
60	3.33 [84.6]
64	3.53 [89.7]

NOTE:
 STAINLESS STEEL WITH GRAY POLYURETHANE COATING.

3505-8XXX

CLIP HEIGHT CODE _____ PIN COUNT (SEE TABLE)
 0 = .31 [7.9] FOR SOCKETS WITHOUT STRAIN RELIEF
 1 = .53 [13.5] FOR SOCKETS WITH STRAIN RELIEF

NOTE:
 1) THE FOLLOWING RETAINER CLIPS HAVE BEEN DISCONTINUED:
 3505-8064
 3505-8124
 3505-8150

DESIGN REFERENCE	NEXT ASSEMBLY	REV	ECO	ISSUE DATE AND DESCRIPTION	DRFT	CHKD
				AUG 11, 2014		
DIVISION: Interconnect Solutions SCALE: 4/1 DRAWING: THIRD ANGLE PROJECTION INTERPRET PER ASME Y14.5 - 2009 MAX SURFACE ROUGHNESS: .13 MARKED ONLY		DIVISION CODE: EMSD TOLERANCES EXCEPT AS NOTED INCHES: .00 ± .01, .000 ± .005, .0000 ± MILLIMETERS: 0 ± .3, .00 ± .13 ANGLES:		DATE: AUG 11, 2014 MFG DATE: SEP 05, 2014 APPR: R. SCHERER DATE:		
DO NOT SCALE DRAWING		TOLERANCES EXCEPT AS NOTED		TITLE: HEADER, 4-WALL, LO-PRO, .100 X .100, SMT, STRAIGHT & RA		
CAGE NUMBER: D78-5100-0770-7		DRAWING NO.: 78-5100-0770-7		REV. N		
MODEL: 2500 SERIES		DET:		SHT 5 OF 5		

78-5100-0770-7
 N
 REVISION
 11:10 AM UTC-05:00
 8/5/2016

Компания «Океан Электроники» предлагает заключение долгосрочных отношений при поставках импортных электронных компонентов на взаимовыгодных условиях!

Наши преимущества:

- Поставка оригинальных импортных электронных компонентов напрямую с производств Америки, Европы и Азии, а так же с крупнейших складов мира;
- Широкая линейка поставок активных и пассивных импортных электронных компонентов (более 30 млн. наименований);
- Поставка сложных, дефицитных, либо снятых с производства позиций;
- Оперативные сроки поставки под заказ (от 5 рабочих дней);
- Экспресс доставка в любую точку России;
- Помощь Конструкторского Отдела и консультации квалифицированных инженеров;
- Техническая поддержка проекта, помощь в подборе аналогов, поставка прототипов;
- Поставка электронных компонентов под контролем ВП;
- Система менеджмента качества сертифицирована по Международному стандарту ISO 9001;
- При необходимости вся продукция военного и аэрокосмического назначения проходит испытания и сертификацию в лаборатории (по согласованию с заказчиком);
- Поставка специализированных компонентов военного и аэрокосмического уровня качества (Xilinx, Altera, Analog Devices, Intersil, Interpoint, Microsemi, Actel, Aeroflex, Peregrine, VPT, Syfer, Eurofarad, Texas Instruments, MS Kennedy, Miteq, Cobham, E2V, MA-COM, Hittite, Mini-Circuits, General Dynamics и др.);

Компания «Океан Электроники» является официальным дистрибьютором и эксклюзивным представителем в России одного из крупнейших производителей разъемов военного и аэрокосмического назначения «JONHON», а так же официальным дистрибьютором и эксклюзивным представителем в России производителя высокотехнологичных и надежных решений для передачи СВЧ сигналов «FORSTAR».



JONHON

«JONHON» (основан в 1970 г.)

Разъемы специального, военного и аэрокосмического назначения:

(Применяются в военной, авиационной, аэрокосмической, морской, железнодорожной, горно- и нефтедобывающей отраслях промышленности)

«FORSTAR» (основан в 1998 г.)

ВЧ соединители, коаксиальные кабели, кабельные сборки и микроволновые компоненты:

(Применяются в телекоммуникациях гражданского и специального назначения, в средствах связи, РЛС, а так же военной, авиационной и аэрокосмической отраслях промышленности).



Телефон: 8 (812) 309-75-97 (многоканальный)

Факс: 8 (812) 320-03-32

Электронная почта: ocean@oceanchips.ru

Web: <http://oceanchips.ru/>

Адрес: 198099, г. Санкт-Петербург, ул. Калинина, д. 2, корп. 4, лит. А