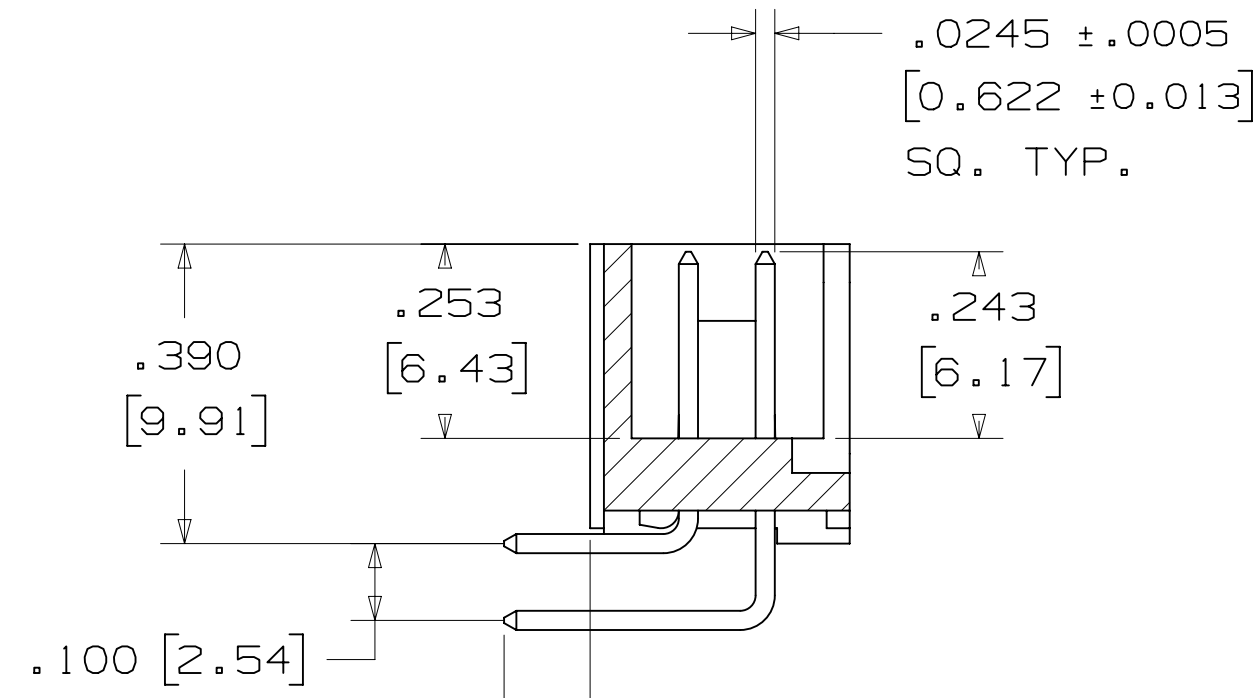






# 3M™ FOUR-WALL HEADER, 2500 SERIES

.100" X .100" LOW PROFILE, SURFACE MOUNT, STRAIGHT AND RIGHT ANGLE THROUGH-HOLE



SOLDER TAIL  
 .112±.011 [2.84] FOR 02 VERSION  
 .155±.011 [3.94] FOR 03 VERSION

SECTION B-B

| TABLE 1  |               |               |                    |          |
|----------|---------------|---------------|--------------------|----------|
| PIN QTY. | DIM. "A"      | DIM. "B"      | POLARIZING NOTCHES | PIN QTY. |
| 06       | .588 [14.94]  | .508 [12.90]  | B                  | 06       |
| 08       | .688 [17.48]  | .608 [15.44]  | B                  | 08       |
| 10       | .788 [20.02]  | .708 [17.98]  | BC                 | 10       |
| 14       | .988 [25.10]  | .908 [23.06]  | BCDE               | 14       |
| 16       | 1.088 [27.64] | 1.008 [25.60] | ABCDE              | 16       |
| 20       | 1.288 [32.72] | 1.208 [30.68] | ABCDE              | 20       |
| 24       | 1.488 [37.80] | 1.408 [35.76] | ABCDE              | 24       |
| 26       | 1.588 [40.34] | 1.508 [38.30] | ABCDE              | 26       |
| 30       | 1.788 [45.42] | 1.708 [43.38] | ABCDE              | 30       |
| 34       | 1.988 [50.50] | 1.908 [48.46] | ABCDE              | 34       |
| 36       | 2.088 [53.04] | 2.008 [51.00] | ABCDE              | 36       |
| 40       | 2.288 [58.12] | 2.208 [56.08] | ABCDE              | 40       |
| 50       | 2.788 [70.82] | 2.708 [68.78] | ABCDE              | 50       |
| 60       | 3.288 [83.52] | 3.208 [81.48] | ABCDE              | 60       |
| 64       | 3.488 [88.60] | 3.408 [86.56] | ABCDE              | 64       |

## ORDERING INFORMATION RIGHT ANGLE VERSION

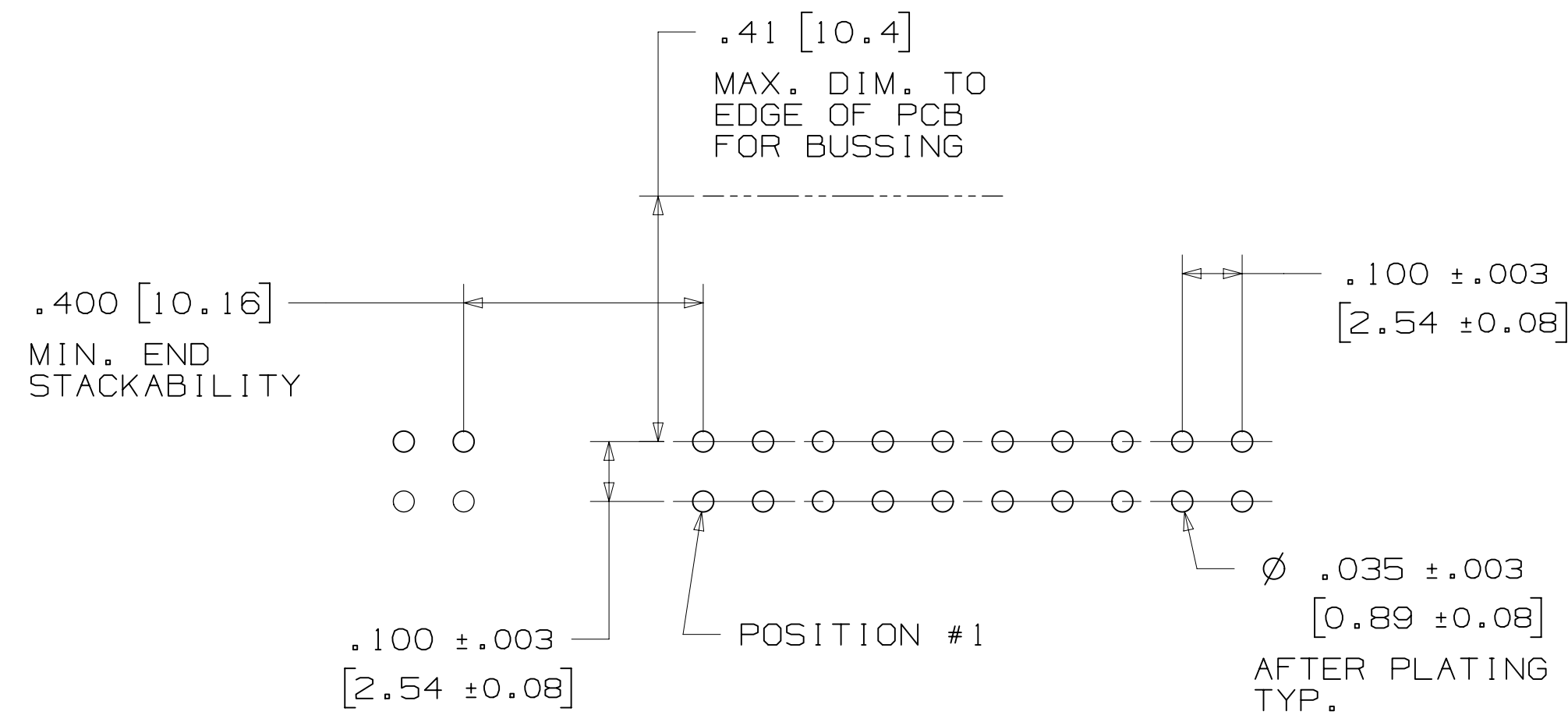
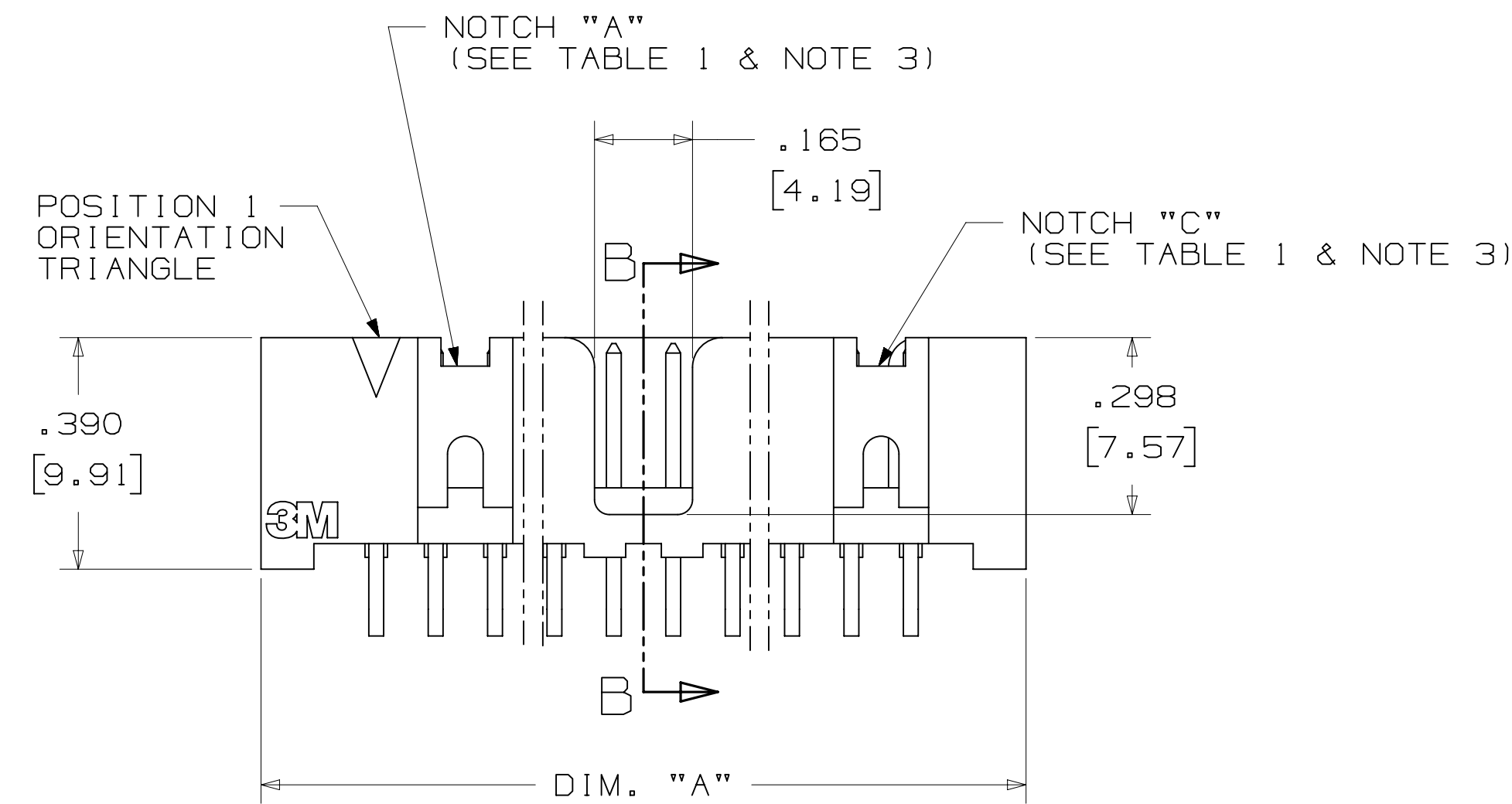
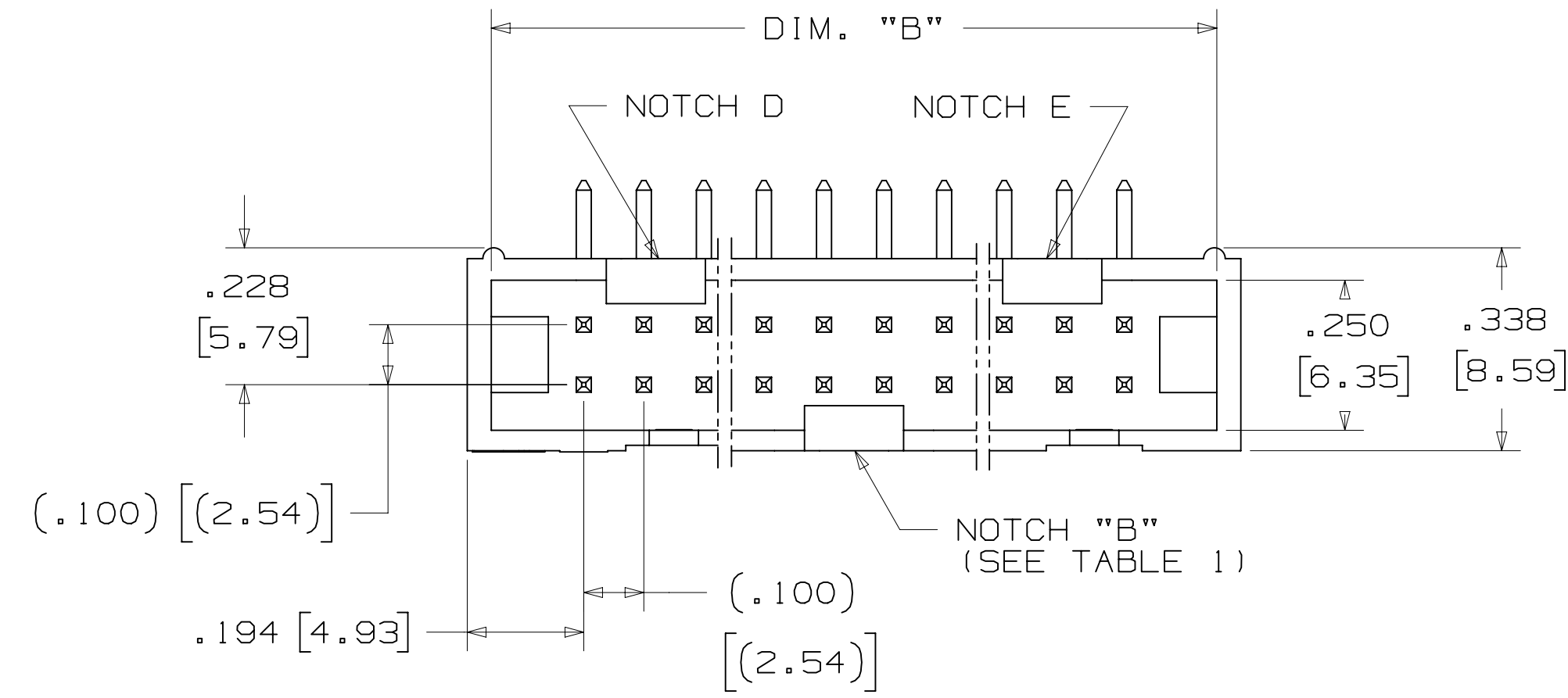
X25XX-50XX-XX

N= HIGH TEMP BLACK (PCT)  
 (RB, UB OR UG PLATING REQ'D)  
 BLANK= (UB OR UG PLATING)

PIN QUANTITY:  
 (SEE TABLE 1)

SOLDER TAIL:  
 02 = FOR .062 [1.57] THICK BOARD  
 03 = FOR .094 TO .125 [2.39 TO 3.18]  
 THICK BOARD

PLATING:  
 RB = 30µ" [0.76µm] AVG. GOLD  
 200µ" [5.08µm] MATTE TIN (RIA, E1 & C1 APPLY)  
 UG = 15µ" [0.38µm] AVG. GOLD  
 200µ" [5.08µm] 60:40 TIN-LEAD SOLDER TAILS  
 (RIA E3 & C2 APPLY)  
 UB = 30µ" [0.76µm] AVG. GOLD  
 200µ" [5.08µm] 60:40 TIN LEAD SOLDER TAILS  
 (RIA E3 & C2 APPLY)



## RECOMMENDED HOLE PATTERN SHOWN FROM COMPONENT SIDE

|                                 |               |   |      |                            |      |      |
|---------------------------------|---------------|---|------|----------------------------|------|------|
| DESIGN REFERENCE                | NEXT ASSEMBLY | REV   | ECO  | ISSUE DATE AND DESCRIPTION | DRFT | CHKD |
|                                 |               |   |      |                            |      |      |
| DATE                            | DATE          | DATE  | DATE | DATE                       | DATE | DATE |
|                                 |               |   |      |                            |      |      |
| DIVISION                        | DIVISION CODE | © 3M COPYR[IGHT] 2016<br>This document and the information it contains are 3M property and may not be reproduced or further distributed without 3M permission, or used or disclosed other than for 3M authorized purposes. All rights reserved. |      |                            |      |      |
| Interconnect Solutions          | EMSD          | <b>3M</b> 3M Center St. Paul, MN 55144  |      |                            |      |      |
| DO NOT SCALE DRAWING            | SCALE 4/1     | TOLERANCES EXCEPT AS NOTED<br>INCHES<br>.00 ± .01<br>.000 ± .005<br>.0000 ±   |      |                            |      |      |
| THIRD ANGLE PROJECTION          |               | MILLIMETERS<br>0 ±<br>.0 ± .3<br>.00 ± .13<br>.000 ±  |      |                            |      |      |
| INTERPRET PER ASME Y14.5 - 2009 |               | CAGE NUMBER<br>D78-5100-0770-7 N  |      |                            |      |      |
| MAX SURFACE ROUGHNESS           |               | MODEL<br>2500 SERIES  |      |                            |      |      |
|                                 |               | DET [ ] YES [X] NO [ ] SHT 3 OF 5   |      |                            |      |      |

DRAWING NUMBER 78-5100-0770-7

REVISION N  
 11:10 AM UTC-05:00  
 8/5/2016

# 3M™ FOUR-WALL HEADER, 2500 SERIES

.100" X .100" LOW PROFILE, SURFACE MOUNT, STRAIGHT AND RIGHT ANGLE THROUGH-HOLE



SECTION C - C

| TABLE 1  |               |               |                    |                        |          |
|----------|---------------|---------------|--------------------|------------------------|----------|
| PIN QTY. | DIM. "A"      | DIM. "B"      | POLARIZING NOTCHES | TAPE AND REEL PKG CODE | PIN QTY. |
| 06       | .588 [14.94]  | .508 [12.90]  | B                  | WD (44 MM)             | 06       |
| 08       | .688 [17.48]  | .608 [15.44]  | B                  | WD (44 MM)             | 08       |
| 10       | .788 [20.02]  | .708 [17.98]  | BC                 | WD (44 MM)             | 10       |
| 14       | .988 [25.10]  | .908 [23.06]  | BCDE               | WD (44 MM)             | 14       |
| 16       | 1.088 [27.64] | 1.008 [25.60] | ABCDE              | WD (44 MM)             | 16       |
| 20       | 1.288 [32.72] | 1.208 [30.68] | ABCDE              | WE (56 MM)             | 20       |
| 24       | 1.488 [37.80] | 1.408 [35.76] | ABCDE              | WE (56 MM)             | 24       |
| 26       | 1.588 [40.34] | 1.508 [38.30] | ABCDE              | WE (56 MM)             | 26       |
| 30       | 1.788 [45.42] | 1.708 [43.38] | ABCDE              | WF (72 MM)             | 30       |
| 34       | 1.988 [50.50] | 1.908 [48.46] | ABCDE              | WF (72 MM)             | 34       |
| 36       | 2.088 [53.04] | 2.008 [51.00] | ABCDE              | WG (88 MM)             | 36       |
| 40       | 2.288 [58.12] | 2.208 [56.08] | ABCDE              | WG (88 MM)             | 40       |
| 50       | 2.788 [70.82] | 2.708 [68.78] | ABCDE              | WG (88 MM)             | 50       |
| 60       | 3.288 [83.52] | 3.208 [81.48] | ABCDE              | WH (120 MM)            | 60       |
| 64       | 3.488 [88.60] | 3.408 [86.56] | ABCDE              | WH (120 MM)            | 64       |



RECOMMENDED PAD LAYOUT

## ORDERING INFORMATION SURFACE MOUNT VERSION

N25XX-6VOC-XX-XX

N = HIGH TEMP BLACK (PCT) (RB PLATING REQ'D)

PIN QUANTITY: (SEE TABLE 1)

PACKAGING OPTIONS:  
WX = TAPE & REEL PACKAGING (SEE TABLE 1)

PLATING:  
RB = 30µ" [0.76µm] AVG. GOLD  
200µ" [5.08µm] MATTE TIN (RIA, E1 & C1 APPLY)

|                                  |               |                       |     |                             |      |      |
|----------------------------------|---------------|-----------------------|-----|-----------------------------|------|------|
| DESIGN REFERENCE                 | NEXT ASSEMBLY | REV                   | ECO | ISSUE DATE AND DESCRIPTION  | DRFT | CHKD |
|                                  |               |                       |     | AUG 11, 2014                |      |      |
| DIVISION: Interconnect Solutions |               | DIVISION CODE: EMSD   |     | DATE: AUG 11, 2014          |      |      |
| DO NOT SCALE DRAWING             |               | SCALE: 4/1            |     | TOLERANCES EXCEPT AS NOTED  |      |      |
| THIRD ANGLE PROJECTION           |               | INCHES: .00 ± .01     |     | MILLIMETERS: 0 ± .005       |      |      |
| INTERPRET PER ASME Y14.5 - 2009  |               | MILLIMETERS: 0 ± .005 |     | MILLIMETERS: 0 ± .005       |      |      |
| MAX SURFACE ROUGHNESS: 1.6       |               | INCHES: 0 ± .005      |     | MILLIMETERS: 0 ± .005       |      |      |
| MARKED ONLY                      |               | ANGLES: 0 ± .005      |     | MILLIMETERS: 0 ± .005       |      |      |
| CAGE NUMBER: D78-5100-0770-7     |               | SIZE: N               |     | DRAWING NO.: 78-5100-0770-7 |      |      |
| MODEL: 2500 SERIES               |               | REV.:                 |     | DATE: SEP 05, 2014          |      |      |

© 3M COPYRIGHT 2016  
This document and the information it contains are 3M property and may not be reproduced or further distributed without 3M permission, or used or disclosed other than for 3M authorized purposes. All rights reserved.

3M Center St. Paul, MN 55144

TITLE: HEADER, 4-WALL, LO-PRO, .100 X .100, SMT, STRAIGHT & RA

CAGE NUMBER: D78-5100-0770-7

MODEL: 2500 SERIES

REV. N

DATE: SEP 05, 2014

SHT 4 OF 5

DRAWING NUMBER: 78-5100-0770-7

REVISION: N

AM UTC-05:00

Imaged: N.1 B/5/2016 11:10

3M™ FOUR-WALL HEADER, 2500 SERIES  
 .100" X .100" LOW PROFILE, SURFACE MOUNT, STRAIGHT AND RIGHT ANGLE THROUGH-HOLE

PART CUSTOMIZATION

THIS SPEC SHEET DETAILS OUR STANDARD OFFERING.  
 3M HAS SEVERAL CAPABILITIES THAT CAN PROVIDE A PART TAILORED TO YOUR SPECIFIC NEEDS. ASK YOUR 3M SALES REPRESENTATIVE OR CUSTOMER SERVICE FOR MORE DETAILS.  
 \* SELECTIVE PIN REMOVAL (FOR BOARD ASSEMBLY POLARIZATION).  
 \* DIFFERENT PIN LENGTHS.

LOW PROFILE LATCH



| PART NO. | MATERIAL | COLOR |
|----------|----------|-------|
| 3505-33B | NYLON    | BLACK |

NOTE:  
 LATCHES NOT COMPATIBLE WITH REFLOW SOLDERING.  
 ATTACH LATCHES AFTER SOLDERING.

POLARIZING POST



| PART NO. | MATERIAL | COLOR |
|----------|----------|-------|
| 3201-3   | PCT      | BLACK |

POLARIZING KEY



| 3M PART NO. | MATERIAL | COLOR | DIM. "A" |
|-------------|----------|-------|----------|
| N3518       | LCP      | BLACK | .02      |

NOTE:  
 #2216 B/A SCOTCHWELD CAN BE USED TO ADHERE KEYS.

SHORT/LONG SOCKET RETAINER CLIP



| PIN QTY. | DIM. "A"    |
|----------|-------------|
| 06       | N/A         |
| 08       | N/A         |
| 10       | .81 [20.6]  |
| 14       | 1.02 [25.9] |
| 16       | 1.12 [28.4] |
| 20       | 1.32 [33.5] |
| 24       | 1.52 [38.7] |
| 26       | 1.63 [41.4] |
| 30       | 1.83 [46.4] |
| 34       | 2.03 [51.6] |
| 36       | N/A         |
| 40       | 2.33 [59.2] |
| 50       | 2.83 [71.9] |
| 60       | 3.33 [84.6] |
| 64       | 3.53 [89.7] |

NOTE:  
 STAINLESS STEEL WITH GRAY POLYURETHANE COATING.

3505-8XXX

CLIP HEIGHT CODE \_\_\_\_\_ PIN COUNT (SEE TABLE)  
 0 = .31 [7.9] FOR SOCKETS WITHOUT STRAIN RELIEF  
 1 = .53 [13.5] FOR SOCKETS WITH STRAIN RELIEF

NOTE:  
 1) THE FOLLOWING RETAINER CLIPS HAVE BEEN DISCONTINUED:  
 3505-8064  
 3505-8124  
 3505-8150

|   |               |  |     |  |      |      |
|---|---------------|--|-----|--|------|------|
| DESIGN REFERENCE  | NEXT ASSEMBLY | REV  | ECO | ISSUE DATE AND DESCRIPTION   | DRFT | CHKD |
|   |               |  |     | AUG 11, 2014   |      |      |
| DIVISION: Interconnect Solutions<br>SCALE: 4/1<br>DRAWING: THIRD ANGLE PROJECTION |               | DIVISION CODE: EMSD<br>TOLERANCES EXCEPT AS NOTED<br>INCHES: .00 ± .01, .000 ± .005, .0000 ±<br>MILLIMETERS: 0 ± .3, .00 ± .13, .000 ± |     | DATE: AUG 11, 2014<br>APPR: R. SCHERER<br>DATE: SEP 05, 2014   |      |      |
| MAX SURFACE ROUGHNESS: SURFACES MARKED ONLY                                       |               | TITLE: HEADER, 4-WALL, LO-PRO, .100 X .100, SMT, STRAIGHT & RA   |     | CAGE NUMBER: D78-5100-0770-7<br>MODEL: 2500 SERIES<br>REV: N   |      |      |
|   |               | INTERPRET PER ASME Y14.5 - 2009  |     | THIS DOCUMENT AND THE INFORMATION IT CONTAINS ARE 3M PROPERTY AND MAY NOT BE REPRODUCED OR FURTHER DISTRIBUTED WITHOUT 3M PERMISSION, OR USED OR DISCLOSED OTHER THAN FOR 3M AUTHORIZED PURPOSES. ALL RIGHTS RESERVED. |      |      |

78-5100-0770-7  
 N  
 REVISION  
 11:10 AM UTC-05:00  
 8/5/2016

Компания «Океан Электроники» предлагает заключение долгосрочных отношений при поставках импортных электронных компонентов на взаимовыгодных условиях!

Наши преимущества:

- Поставка оригинальных импортных электронных компонентов напрямую с производств Америки, Европы и Азии, а так же с крупнейших складов мира;
- Широкая линейка поставок активных и пассивных импортных электронных компонентов (более 30 млн. наименований);
- Поставка сложных, дефицитных, либо снятых с производства позиций;
- Оперативные сроки поставки под заказ (от 5 рабочих дней);
- Экспресс доставка в любую точку России;
- Помощь Конструкторского Отдела и консультации квалифицированных инженеров;
- Техническая поддержка проекта, помощь в подборе аналогов, поставка прототипов;
- Поставка электронных компонентов под контролем ВП;
- Система менеджмента качества сертифицирована по Международному стандарту ISO 9001;
- При необходимости вся продукция военного и аэрокосмического назначения проходит испытания и сертификацию в лаборатории (по согласованию с заказчиком);
- Поставка специализированных компонентов военного и аэрокосмического уровня качества (Xilinx, Altera, Analog Devices, Intersil, Interpoint, Microsemi, Actel, Aeroflex, Peregrine, VPT, Syfer, Eurofarad, Texas Instruments, MS Kennedy, Miteq, Cobham, E2V, MA-COM, Hittite, Mini-Circuits, General Dynamics и др.);

Компания «Океан Электроники» является официальным дистрибьютором и эксклюзивным представителем в России одного из крупнейших производителей разъемов военного и аэрокосмического назначения «JONHON», а так же официальным дистрибьютором и эксклюзивным представителем в России производителя высокотехнологичных и надежных решений для передачи СВЧ сигналов «FORSTAR».



## JONHON

«JONHON» (основан в 1970 г.)

Разъемы специального, военного и аэрокосмического назначения:

(Применяются в военной, авиационной, аэрокосмической, морской, железнодорожной, горно- и нефтедобывающей отраслях промышленности)

«FORSTAR» (основан в 1998 г.)

ВЧ соединители, коаксиальные кабели,  
кабельные сборки и микроволновые компоненты:

(Применяются в телекоммуникациях гражданского и специального назначения, в средствах связи, РЛС, а так же военной, авиационной и аэрокосмической отраслях промышленности).



Телефон: 8 (812) 309-75-97 (многоканальный)

Факс: 8 (812) 320-03-32

Электронная почта: [ocean@oceanchips.ru](mailto:ocean@oceanchips.ru)

Web: <http://oceanchips.ru/>

Адрес: 198099, г. Санкт-Петербург, ул. Калинина, д. 2, корп. 4, лит. А