
Low Voltage Detector with built-in Delay Circuit

R3130NxxxA/C, R3131NxxxA/C

APPLICATION MANUAL

R3130N***A/C, R3131N***A/C

OUTLINE

R3130N/R3131N Series are low voltage detector ICs with built-in delay circuit, high Detector Threshold accuracy and ultra low supply current by CMOS process, which can be operated at low voltage.

These ICs can be used as system reset generator, and each of these ICs consists of a voltage reference, a comparator, resistors for setting voltage detector threshold, an output driver transistor, and an output delay generator.

Detector threshold is fixed internally with high accuracy and requires no adjustment. When Supply Voltage crosses a setting detector threshold voltage from a high value to a lower value, this IC generates reset signal.

R3130N Series output “L” at detection mode, while R3131N Series output “H”.

Further, each of R3130N/R3131N Series embeds an output delay generator, when Supply Voltage crosses a setting detector threshold voltage from a low value to a higher value, during a setting delay time which is fixed in the IC, this IC keeps the reset condition.

Output Delay Time can be selected. (TYP. 240ms is standard.)

Two output types, Nch open drain type and CMOS type, are available.

Since the package for these ICs are SOT23-3 (Mini-mold) package, high density mounting of the ICs on board is possible.

FEATURES

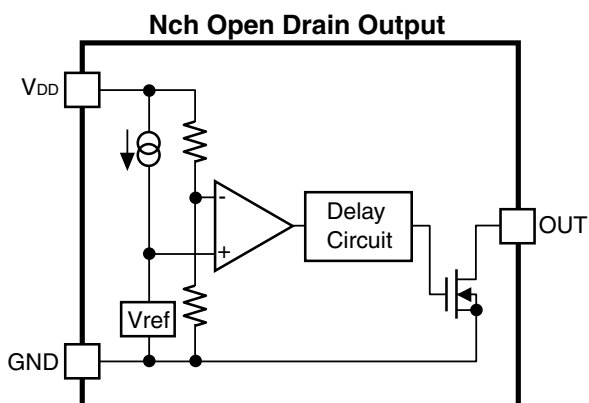
- Pin to Pin compatible with MAX 809/810 (R3130N***: MAX 809, R3131N***: MAX 810)
- Ultra-low supply Current TYP. 1.25 μ A (R313N27*: V_{DD}=3.0V)
- Operating Voltage Range 1.0V to 6.0V (T_{opt}=25°C)
- Detector Threshold Setting with a step of 0.1V in the range of 1.6V to 4.8V is possible.
- Embedded Power on Reset Delay Time Circuit Delay Time can be designated. Refer to Selection Guide.
- High Accuracy Detector Threshold..... \pm 1.5%
- High Accuracy Output Delay Time \pm 10.0%
- Low Temperature-Drift Coefficient of Detector Threshold... TYP. \pm 100ppm/°C
- Two Output Types Nch Open Drain and CMOS
- Small Package SOT-23-3

APPLICATIONS

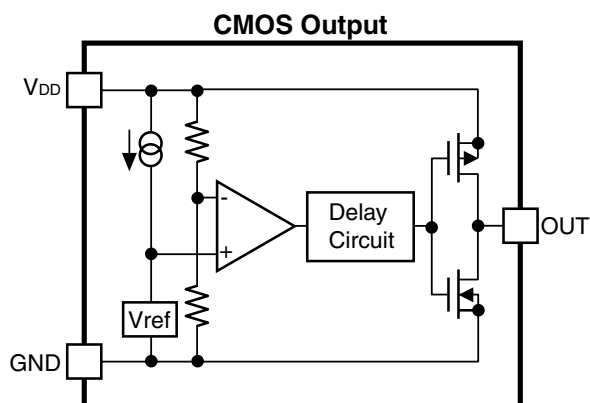
- CPU & Logic Circuit Reset
- Battery Checker
- Window Comparator
- Wave Shaping Circuit
- Battery Back-Up Circuit
- Power Failure Detector

BLOCK DIAGRAMS

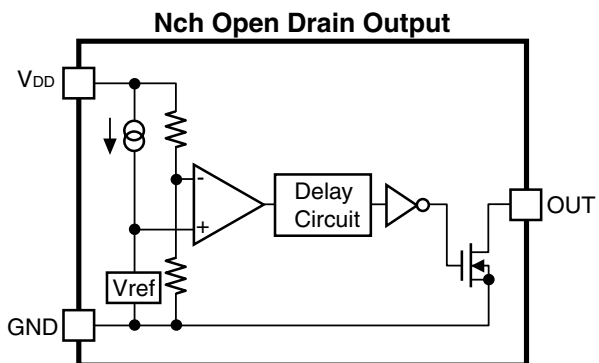
• R3130NxxxA



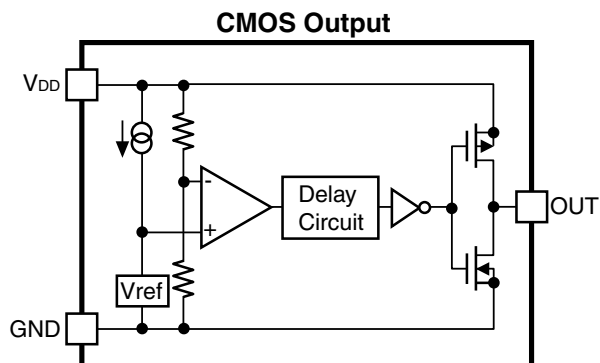
• R3130NxxxC



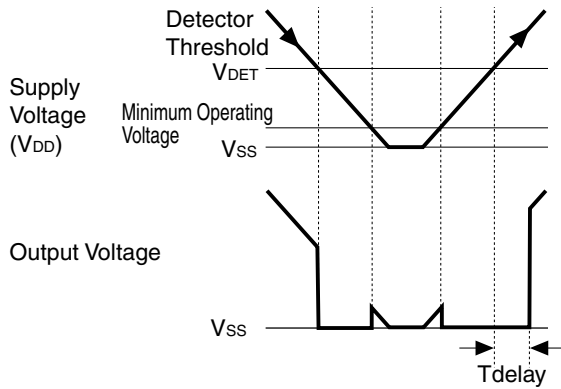
• R3131NxxxA



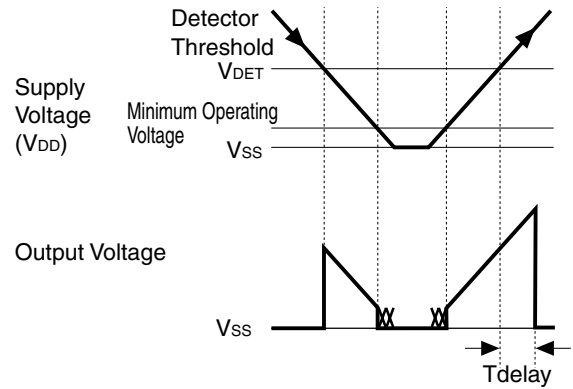
• R3131NxxxC



TIMING CHART



R3130N Operation Diagram



R3131N Operation Diagram

• Output Delay Operation

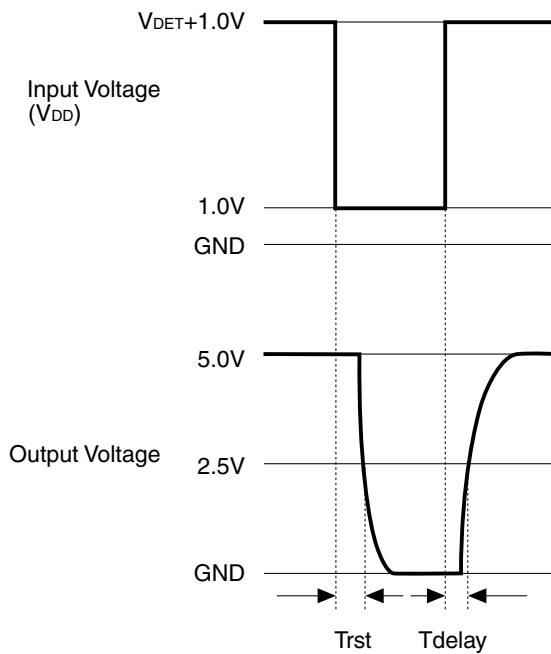
Output Delay Time, or T_{delay} is specified as follows:

1. In the case of Nch Open Drain Output:

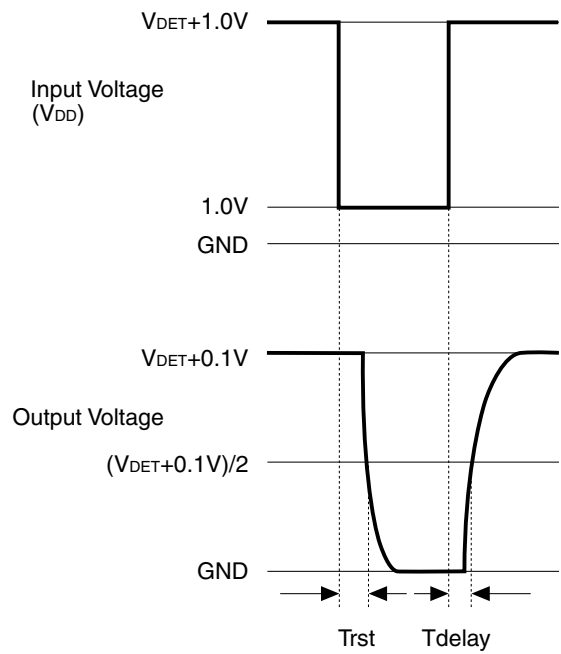
The time interval from rising edge of V_{DD} pulse ($1.0V \rightarrow (V_{DET} + 0.1V)$) to the time at which the output reaches 2.5V under the condition that the output pin (OUT) is pulled up to 5V through a 470k Ω resistor.

2. In the case of CMOS Output

The time interval from rising edge of V_{DD} pulse ($1.0V \rightarrow (V_{DET} + 0.1V)$) to the time at which the output reaches $V_{DD}/2$.



Nch Open Drain Output



CMOS Output

SELECTION GUIDE

The detector threshold, the output type, and Output delay time of R3130N series can be designated at the user's request by specifying the part number as follows:

R3130Nxxxx-TR ←Part Number

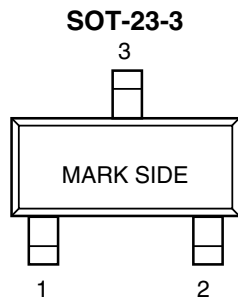
R3131Nxxxx-TR ←Part Number

↑↑↑↑ ↑

a bcd e

| Code | Contents |
|------|---|
| a | Setting Detector Threshold (V_{DET}) Stepwise setting with a step of 0.1V in the range of 1.6V to 4.8V is possible. The following 6 kinds of voltage are also standard. 2.63V, 2.93V, 3.08V, 4.00V, 4.40V, 4.65V |
| b | Selection of Output Delay Time E: 240ms (Standard) A: 50ms B: 100ms D: 200ms H: 400ms *A, B, D, H versions can be produced only for 6 kinds of standard voltage items. |
| c | Designation Output type A: Nch Open Drain C: CMOS |
| d | Description of last one digit of 6 kinds of standard voltage items. |
| e | Designation of Taping Direction (Refer to Taping Specification) |

PIN CONFIGURATION



PIN DESCRIPTION

| Pin No. | Symbol | Description |
|---------|-----------------|--|
| 1 | GND | Ground Pin |
| 2 | OUT | Output Pin R3130N: Output “L” at detection mode, Output “H” at release mode R3131N: Output “H” at detection mode, Output “L” at release mode |
| 3 | V _{DD} | Input Pin |

ABSOLUTE MAXIMUM RATINGS

| Symbol | Item | Rating | Unit | |
|---------------------|-----------------------------|-------------|--|---|
| V _{DD} | Supply Voltage | 6.5 | V | |
| V _{OUT} | Output Voltage | CMOS | V _{SS} -0.3 to V _{DD} +0.3 | V |
| | | Nch | V _{SS} -0.3 to 6.5 | V |
| I _{OUT} | Output Current | 20 | mA | |
| P _D | Power Dissipation | 150 | mW | |
| T _{opt} | Operating Temperature Range | -40 to +85 | °C | |
| T _{stg} | Storage Temperature Range | -55 to +125 | °C | |
| T _{solder} | Soldering Temperature | 260°C, 10s | | |

ABSOLUTE MAXIMUM RATINGS

Absolute Maximum Ratings are threshold limit values that must not be exceeded even for a moment under any conditions.

Moreover, such values for any items must not be reached simultaneously. Operation above these absolute maximum ratings may cause degradation or permanent damage to the device. These are just stress ratings and do not necessarily imply to guarantee operation below these limits.

ELECTRICAL CHARACTERISTICS

• R3130N26xx3-TR

[Topt=25°C]

| Symbol | Item | Conditions | MIN. | TYP. | MAX. | Unit |
|------------------------------|---|--|---------------------|----------------------|-------|------------|
| V _{DDH} | Maximum Operating Voltage | | | | 6.0 | V |
| V _{DDL} (*1) | Minimum Operating Voltage | I _{OL} =50μA | | 0.75 | 1.00 | V |
| V _{DET} | Detector Threshold | | 2.591 | 2.630 | 2.669 | V |
| I _{SS1} | Supply Current1 | V _{DD} =6.00V | | 1.40 | 5.00 | μA |
| I _{SS2} | Supply Current2 | V _{DD} =2.73V | | 1.25 | 4.00 | μA |
| I _{SS3} | Supply Current3 | V _{DD} =2.53V | | 1.10 | 3.50 | μA |
| V _{OH} | “H” Output Voltage | V _{DD} =2.73V, I _{OUT} =-500μA | 0.8×V _{DD} | 0.93×V _{DD} | | V |
| V _{OL} | “L” Output Voltage | V _{DD} =2.53V, I _{OUT} =1.2mA | | 0.16 | 0.30 | V |
| T _{delay} (*2) | Output Delay Time for release | Refer to electrical characteristics by Output Delay Time for release | | | | |
| ΔV _{DET} / ΔTopt | Detector Threshold Temperature Coefficient | -40°C ≤ Topt ≤ 85°C | | ±100 | | ppm/ °C |

• R3130N29xx3-TR

[Topt=25°C]

| Symbol | Item | Conditions | MIN. | TYP. | MAX. | Unit |
|------------------------------|---|--|---------------------|----------------------|-------|------------|
| V _{DDH} | Maximum Operating Voltage | | | | 6.0 | V |
| V _{DDL} (*1) | Minimum Operating Voltage | I _{OL} =50μA | | 0.75 | 1.00 | V |
| V _{DET} | Detector Threshold | | 2.887 | 2.930 | 2.973 | V |
| I _{SS1} | Supply Current1 | V _{DD} =6.00V | | 1.40 | 5.00 | μA |
| I _{SS2} | Supply Current2 | V _{DD} =3.03V | | 1.25 | 4.00 | μA |
| I _{SS3} | Supply Current3 | V _{DD} =2.83V | | 1.10 | 3.50 | μA |
| V _{OH} | “H” Output Voltage | V _{DD} =3.03V, I _{OUT} =-500μA | 0.8×V _{DD} | 0.93×V _{DD} | | V |
| V _{OL} | “L” Output Voltage | V _{DD} =2.83V, I _{OUT} =1.2mA | | 0.16 | 0.30 | V |
| T _{delay} (*2) | Output Delay Time for release | Refer to electrical characteristics by Output Delay Time for release | | | | |
| ΔV _{DET} / ΔTopt | Detector Threshold Temperature Coefficient | -40°C ≤ Topt ≤ 85°C | | ±100 | | ppm/ °C |

• R3130N30xx8-TR

[Topt=25°C]

| Symbol | Item | Conditions | MIN. | TYP. | MAX. | Unit |
|------------------------------|---|--|---------------------|----------------------|-------|------------|
| V _{DDH} | Maximum Operating Voltage | | | | 6.0 | V |
| V _{DDL} (*1) | Minimum Operating Voltage | I _{OL} =50μA | | 0.75 | 1.00 | V |
| V _{DET} | Detector Threshold | | 3.034 | 3.080 | 3.126 | V |
| I _{SS1} | Supply Current1 | V _{DD} =6.00V | | 1.40 | 5.00 | μA |
| I _{SS2} | Supply Current2 | V _{DD} =3.18V | | 1.25 | 4.00 | μA |
| I _{SS3} | Supply Current3 | V _{DD} =2.98V | | 1.10 | 3.50 | μA |
| V _{OH} | “H” Output Voltage | V _{DD} =3.18V, I _{OUT} =-500μA | 0.8×V _{DD} | 0.93×V _{DD} | | V |
| V _{OL} | “L” Output Voltage | V _{DD} =2.98V, I _{OUT} =1.2mA | | 0.16 | 0.30 | V |
| T _{delay} (*2) | Output Delay Time for release | Refer to electrical characteristics by Output Delay Time for release | | | | |
| ΔV _{DET} / ΔTopt | Detector Threshold Temperature Coefficient | -40°C ≤ Topt ≤ 85°C | | ±100 | | ppm/ °C |

• R3130N40xx-TR

[Topt=25°C]

| Symbol | Item | Conditions | MIN. | TYP. | MAX. | Unit |
|------------------------------|---|--|---------------------|----------------------|-------|------------|
| V _{DDH} | Maximum Operating Voltage | | | | 6.0 | V |
| V _{DDL} (*1) | Minimum Operating Voltage | I _{OL} =50μA | | 0.75 | 1.00 | V |
| V _{DET} | Detector Threshold | | 3.940 | 4.000 | 4.060 | V |
| I _{SS1} | Supply Current1 | V _{DD} =6.00V | | 1.40 | 5.00 | μA |
| I _{SS2} | Supply Current2 | V _{DD} =4.10V | | 1.30 | 4.00 | μA |
| I _{SS3} | Supply Current3 | V _{DD} =3.90V | | 1.15 | 3.50 | μA |
| V _{OH} | “H” Output Voltage | V _{DD} =4.10V, I _{OUT} =-800μA | 0.8×V _{DD} | 0.95×V _{DD} | | V |
| V _{OL} | “L” Output Voltage | V _{DD} =3.90V, I _{OUT} =3.2mA | | 0.18 | 0.40 | V |
| T _{delay} (*2) | Output Delay Time for release | Refer to electrical characteristics by Output Delay Time for release | | | | |
| ΔV _{DET} / ΔTopt | Detector Threshold Temperature Coefficient | -40°C ≤ Topt ≤ 85°C | | ±100 | | ppm/ °C |

R3130NxxxA/C, R3131NxxxA/C
• R3130N44xx-TR

[Topt=25°C]

| Symbol | Item | Conditions | MIN. | TYP. | MAX. | Unit |
|------------------------------|---|--|---------------------|----------------------|-------|------------|
| V _{DDH} | Maximum Operating Voltage | | | | 6.0 | V |
| V _{DDL} (*1) | Minimum Operating Voltage | I _{OL} =50μA | | 0.75 | 1.00 | V |
| V _{DET} | Detector Threshold | | 4.334 | 4.400 | 4.466 | V |
| I _{SS1} | Supply Current1 | V _{DD} =6.00V | | 1.40 | 5.00 | μA |
| I _{SS2} | Supply Current2 | V _{DD} =4.50V | | 1.30 | 4.00 | μA |
| I _{SS3} | Supply Current3 | V _{DD} =4.30V | | 1.15 | 3.50 | μA |
| V _{OH} | “H” Output Voltage | V _{DD} =4.50V, I _{OUT} =-800μA | 0.8×V _{DD} | 0.95×V _{DD} | | V |
| V _{OL} | “L” Output Voltage | V _{DD} =4.30V, I _{OUT} =3.2mA | | 0.18 | 0.40 | V |
| T _{delay} (*2) | Output Delay Time for release | Refer to electrical characteristics by Output Delay Time for release | | | | |
| ΔV _{DET} / ΔTopt | Detector Threshold Temperature Coefficient | -40°C ≤ Topt ≤ 85°C | | ±100 | | ppm/ °C |

• R3130N46xx5-TR

[Topt=25°C]

| Symbol | Item | Conditions | MIN. | TYP. | MAX. | Unit |
|------------------------------|---|--|---------------------|----------------------|-------|------------|
| V _{DDH} | Maximum Operating Voltage | | | | 6.0 | V |
| V _{DDL} (*1) | Minimum Operating Voltage | I _{OL} =50μA | | 0.75 | 1.00 | V |
| V _{DET} | Detector Threshold | | 4.581 | 4.650 | 4.719 | V |
| I _{SS1} | Supply Current1 | V _{DD} =6.00V | | 1.40 | 5.00 | μA |
| I _{SS2} | Supply Current2 | V _{DD} =4.75V | | 1.30 | 4.00 | μA |
| I _{SS3} | Supply Current3 | V _{DD} =4.55V | | 1.15 | 3.50 | μA |
| V _{OH} | “H” Output Voltage | V _{DD} =4.75V, I _{OUT} =-800μA | 0.8×V _{DD} | 0.95×V _{DD} | | V |
| V _{OL} | “L” Output Voltage | V _{DD} =4.55V, I _{OUT} =3.2mA | | 0.18 | 0.40 | V |
| T _{delay} (*2) | Output Delay Time for release | Refer to electrical characteristics by Output Delay Time for release | | | | |
| ΔV _{DET} / ΔTopt | Detector Threshold Temperature Coefficient | -40°C ≤ Topt ≤ 85°C | | ±100 | | ppm/ °C |

• R3131N26xx3-TR

[Topt=25°C]

| Symbol | Item | Conditions | | MIN. | TYP. | MAX. | Unit |
|------------------------------|---|--|------------------------|---------------------|----------------------|-------|------------|
| V _{DDH} | Maximum Operating Voltage | | | | | 6.0 | V |
| V _{DDL} (*3) | Minimum Operating Voltage | CMOS Output | I _{OH} =-10μA | | 0.90 | 1.00 | V |
| | | Nch Open Drain Output | V _{DS} =6.5V | | | | |
| V _{DET} | Detector Threshold | | | 2.591 | 2.630 | 2.669 | V |
| I _{SS1} | Supply Current1 | V _{DD} =6.00V | | | 1.40 | 5.00 | μA |
| I _{SS2} | Supply Current2 | V _{DD} =2.73V | | | 1.25 | 4.00 | μA |
| I _{SS3} | Supply Current3 | V _{DD} =2.53V | | | 1.10 | 3.50 | μA |
| V _{OH} | “H” Output Voltage | V _{DD} =2.73V, I _{OUT} =-500μA | | 0.8×V _{DD} | 0.93×V _{DD} | | V |
| V _{OL} | “L” Output Voltage | V _{DD} =2.53V, I _{OUT} =1.2mA | | | 0.16 | 0.30 | V |
| T _{delay} (*2) | Output Delay Time for release | Refer to electrical characteristics by Output Delay Time for release | | | | | |
| ΔV _{DET} / ΔTopt | Detector Threshold Temperature Coefficient | -40°C ≤ Topt ≤ 85°C | | | ±100 | | ppm/ °C |

• R3131N29xx3-TR

[Topt=25°C]

| Symbol | Item | Conditions | | MIN. | TYP. | MAX. | Unit |
|------------------------------|---|--|------------------------|---------------------|----------------------|-------|------------|
| V _{DDH} | Maximum Operating Voltage | | | | | 6.0 | V |
| V _{DDL} (*3) | Minimum Operating Voltage | CMOS Output | I _{OH} =-10μA | | 0.90 | 1.00 | V |
| | | Nch Open Drain Output | V _{DS} =6.5V | | | | |
| V _{DET} | Detector Threshold | | | 2.887 | 2.930 | 2.973 | V |
| I _{SS1} | Supply Current1 | V _{DD} =6.00V | | | 1.40 | 5.00 | μA |
| I _{SS2} | Supply Current2 | V _{DD} =3.03V | | | 1.25 | 4.00 | μA |
| I _{SS3} | Supply Current3 | V _{DD} =2.83V | | | 1.10 | 3.50 | μA |
| V _{OH} | “H” Output Voltage | V _{DD} =2.83V, I _{OUT} =-500μA | | 0.8×V _{DD} | 0.93×V _{DD} | | V |
| V _{OL} | “L” Output Voltage | V _{DD} =3.03V, I _{OUT} =1.2mA | | | 0.16 | 0.30 | V |
| T _{delay} (*2) | Output Delay Time for release | Refer to electrical characteristics by Output Delay Time for release | | | | | |
| ΔV _{DET} / ΔTopt | Detector Threshold Temperature Coefficient | -40°C ≤ Topt ≤ 85°C | | | ±100 | | ppm/ °C |

R3130NxxxA/C, R3131NxxxA/C
• R3131N30xx8-TR

 [T_{opt}=25°C]

| Symbol | Item | Conditions | | MIN. | TYP. | MAX. | Unit |
|--|---|--|------------------------|---------------------|----------------------|-------|------------|
| V _{DDH} | Maximum Operating Voltage | | | | | 6.0 | V |
| V _{DDL} (*3) | Minimum Operating Voltage | CMOS Output | I _{OH} =-10μA | | 0.90 | 1.00 | V |
| | | Nch Open Drain Output | V _{DS} =6.5V | | | | |
| V _{DET} | Detector Threshold | | | 3.034 | 3.080 | 3.126 | V |
| I _{SS1} | Supply Current1 | V _{DD} =6.00V | | | 1.40 | 5.00 | μA |
| I _{SS2} | Supply Current2 | V _{DD} =3.18V | | | 1.25 | 4.00 | μA |
| I _{SS3} | Supply Current3 | V _{DD} =2.98V | | | 1.10 | 3.50 | μA |
| V _{OH} | “H” Output Voltage | V _{DD} =2.98V, I _{OUT} =-500μA | | 0.8×V _{DD} | 0.93×V _{DD} | | V |
| V _{OL} | “L” Output Voltage | V _{DD} =3.18V, I _{OUT} =1.2mA | | | 0.16 | 0.30 | V |
| T _{delay} (*2) | Output Delay Time for release | Refer to electrical characteristics by Output Delay Time for release | | | | | |
| ΔV _{DET} / ΔT _{opt} | Detector Threshold Temperature Coefficient | -40°C ≤ T _{opt} ≤ 85°C | | | ±100 | | ppm/ °C |

• R3131N40xx-TR

 [T_{opt}=25°C]

| Symbol | Item | Conditions | | MIN. | TYP. | MAX. | Unit |
|--|---|--|------------------------|---------------------|----------------------|-------|------------|
| V _{DDH} | Maximum Operating Voltage | | | | | 6.0 | V |
| V _{DDL} (*3) | Minimum Operating Voltage | CMOS Output | I _{OH} =-10μA | | 0.90 | 1.00 | V |
| | | Nch Open Drain Output | V _{DS} =6.5V | | | | |
| V _{DET} | Detector Threshold | | | 3.940 | 4.000 | 4.060 | V |
| I _{SS1} | Supply Current1 | V _{DD} =6.00V | | | 1.40 | 5.00 | μA |
| I _{SS2} | Supply Current2 | V _{DD} =3.90V | | | 1.30 | 4.00 | μA |
| I _{SS3} | Supply Current3 | V _{DD} =4.10V | | | 1.15 | 3.50 | μA |
| V _{OH} | “H” Output Voltage | V _{DD} =3.90V, I _{OUT} =-800μA | | 0.8×V _{DD} | 0.95×V _{DD} | | V |
| V _{OL} | “L” Output Voltage | V _{DD} =4.10V, I _{OUT} =3.2mA | | | 0.18 | 0.40 | V |
| T _{delay} (*2) | Output Delay Time for release | Refer to electrical characteristics by Output Delay Time for release | | | | | |
| ΔV _{DET} / ΔT _{opt} | Detector Threshold Temperature Coefficient | -40°C ≤ T _{opt} ≤ 85°C | | | ±100 | | ppm/ °C |

• R3131N44xx-TR

[T_{opt}=25°C]

| Symbol | Item | Conditions | MIN. | TYP. | MAX. | Unit |
|--|---|--|---------------------|----------------------|-------|------------|
| V _{DDH} | Maximum Operating Voltage | | | | 6.0 | V |
| V _{DDL} (*3) | Minimum Operating Voltage | CMOS Output | | 0.90 | 1.00 | V |
| | | Nch Open Drain Output | | | | |
| V _{DET} | Detector Threshold | | 4.334 | 4.400 | 4.466 | V |
| I _{SS1} | Supply Current1 | V _{DD} =6.00V | | 1.40 | 5.00 | μA |
| I _{SS2} | Supply Current2 | V _{DD} =4.50V | | 1.30 | 4.00 | μA |
| I _{SS3} | Supply Current3 | V _{DD} =4.30V | | 1.15 | 3.50 | μA |
| V _{OH} | “H” Output Voltage | V _{DD} =4.30V, I _{OUT} =-800μA | 0.8×V _{DD} | 0.95×V _{DD} | | V |
| V _{OL} | “L” Output Voltage | V _{DD} =4.50V, I _{OUT} =3.2mA | | 0.18 | 0.40 | V |
| T _{delay} (*2) | Output Delay Time for release | Refer to electrical characteristics by Output Delay Time for release | | | | |
| ΔV _{DET} / ΔT _{opt} | Detector Threshold Temperature Coefficient | -40°C ≤ T _{opt} ≤ 85°C | | ±100 | | ppm/ °C |

• R3131N46xx5-TR

[T_{opt}=25°C]

| Symbol | Item | Conditions | MIN. | TYP. | MAX. | Unit |
|--|---|--|---------------------|----------------------|-------|------------|
| V _{DDH} | Maximum Operating Voltage | | | | 6.0 | V |
| V _{DDL} (*3) | Minimum Operating Voltage | CMOS Output I _{OH} =-10μA | | | | |
| | | Nch Open Drain Output V _{DS} =6.5V | | 0.90 | 1.00 | V |
| V _{DET} | Detector Threshold | | 4.581 | 4.650 | 4.719 | V |
| I _{SS1} | Supply Current1 | V _{DD} =6.00V | | 1.40 | 5.00 | μA |
| I _{SS2} | Supply Current2 | V _{DD} =4.75V | | 1.30 | 4.00 | μA |
| I _{SS3} | Supply Current3 | V _{DD} =4.55V | | 1.15 | 3.50 | μA |
| V _{OH} | “H” Output Voltage | V _{DD} =4.55V, I _{OUT} =-800μA | 0.8×V _{DD} | 0.95×V _{DD} | | V |
| V _{OL} | “L” Output Voltage | V _{DD} =4.75V, I _{OUT} =3.2mA | | 0.18 | 0.40 | V |
| T _{delay} (*2) | Output Delay Time for release | Refer to electrical characteristics by Output Delay Time for release | | | | |
| ΔV _{DET} / ΔT _{opt} | Detector Threshold Temperature Coefficient | -40°C ≤ T _{opt} ≤ 85°C | | ±100 | | ppm/ °C |

- *1) Supply Voltage when Output Voltage becomes equal or less than 0.3V. (As for Nch Open Drain Output type, pull-up resistor is 470kΩ, pull-up voltage is 5.0V.
- *2) Time interval of rising edge of V_{DD} which is set from 1.0V to V_{DET}+1.0V, and the point of which Output voltage reaches to 50% of final voltage.
- *3) CMOS Output type; Supply Voltage when Output Voltage becomes equal or more than 0.8×V_{DD}.
Nch Open Drain type; Supply Voltage when off leakage current becomes equal or less than 0.1μA.

ELECTRICAL CHARACTERISTICS BY OUTPUT DELAY TIME[T_{opt}=25°C]

| Part Number | Test Condition | Output Delay Time (T _{delay}) | | | Unit |
|-------------|---|---|------|------|------|
| | | MIN. | TYP. | MAX. | |
| R313xNxxAx | V _{DD} =1.0V to V _{DET} +1.0V | 45 | 50 | 55 | ms |
| R313xNxxBx | | 90 | 100 | 110 | |
| R313xNxxDx | | 180 | 200 | 220 | |
| R313xNxxEx | | 216 | 240 | 264 | |
| R313xNxxHx | | 360 | 400 | 440 | |

ELECTRICAL CHARACTERISTICS BY DETECTOR THRESHOLD

• R3130N16EA/C to R3130N48EA/C

| Part Number | Detector Threshold | | | Supply Current 1 | | | Supply Current 2 | | | Supply Current 3 | | |
|--------------|----------------------|-------|-------|-----------------------|------|------|--|------|------|--|------|------|
| | V _{DET} (V) | | | I _{SS1} (μA) | | | I _{SS2} (μA) | | | I _{SS3} (μA) | | |
| | MIN. | TYP. | MAX. | Condition | TYP. | MAX. | Condition | TYP. | MAX. | Condition | TYP. | MAX. |
| R3130N16EA/C | 1.576 | 1.600 | 1.624 | V _{DD} =6.0V | 1.40 | 5.00 | V _{DD} =V _{DET} +0.1V | 1.20 | 4.00 | V _{DD} =V _{DET} -0.1V | 1.00 | 3.50 |
| R3130N17EA/C | 1.675 | 1.700 | 1.725 | | | | | | | | | |
| R3130N18EA/C | 1.773 | 1.800 | 1.827 | | | | | | | | | |
| R3130N19EA/C | 1.872 | 1.900 | 1.928 | | | | | | | | | |
| R3130N20EA/C | 1.970 | 2.000 | 2.030 | | | | | | | | | |
| R3130N21EA/C | 2.069 | 2.100 | 2.131 | | | | | | | | | |
| R3130N22EA/C | 2.167 | 2.200 | 2.233 | | | | | | | | | |
| R3130N23EA/C | 2.266 | 2.300 | 2.334 | | | | | | | | | |
| R3130N24EA/C | 2.364 | 2.400 | 2.436 | | | | | | | | | |
| R3130N25EA/C | 2.463 | 2.500 | 2.537 | | | | | | | | | |
| R3130N26EA/C | 2.561 | 2.600 | 2.639 | | | | | | | | | |
| R3130N27EA/C | 2.660 | 2.700 | 2.740 | | | | | | | | | |
| R3130N28EA/C | 2.758 | 2.800 | 2.842 | | | | | | | | | |
| R3130N29EA/C | 2.857 | 2.900 | 2.943 | | | | | | | | | |
| R3130N30EA/C | 2.955 | 3.000 | 3.045 | | | | | | | | | |
| R3130N31EA/C | 3.054 | 3.100 | 3.146 | | | | | | | | | |
| R3130N32EA/C | 3.152 | 3.200 | 3.248 | | | | | | | | | |
| R3130N33EA/C | 3.251 | 3.300 | 3.349 | | | | | | | | | |
| R3130N34EA/C | 3.349 | 3.400 | 3.451 | | | | | | | | | |
| R3130N35EA/C | 3.448 | 3.500 | 3.552 | | | | | | | | | |
| R3130N36EA/C | 3.546 | 3.600 | 3.654 | | | | | | | | | |
| R3130N37EA/C | 3.645 | 3.700 | 3.755 | | | | | | | | | |
| R3130N38EA/C | 3.743 | 3.800 | 3.857 | | | | | | | | | |
| R3130N39EA/C | 3.842 | 3.900 | 3.958 | | | | | | | | | |
| R3130N40EA/C | 3.940 | 4.000 | 4.060 | | | | | | | | | |
| R3130N41EA/C | 4.039 | 4.100 | 4.161 | | | | | | | | | |
| R3130N42EA/C | 4.137 | 4.200 | 4.263 | | | | | | | | | |
| R3130N43EA/C | 4.236 | 4.300 | 4.364 | | | | | | | | | |
| R3130N44EA/C | 4.334 | 4.400 | 4.466 | | | | | | | | | |
| R3130N45EA/C | 4.433 | 4.500 | 4.567 | | | | | | | | | |
| R3130N46EA/C | 4.531 | 4.600 | 4.669 | | | | | | | | | |
| R3130N47EA/C | 4.630 | 4.700 | 4.770 | | | | | | | | | |
| R3130N48EA/C | 4.728 | 4.800 | 4.872 | | | | | | | | | |

T_{opt} = 25°C

| “H” Output Voltage | | | “L” Output Voltage | | | Minimum Operating Voltage | | Output Delay Time | | | Detector Threshold Temperature Coefficient | |
|--|--------------------------|--------------------------|---|------|------|---------------------------|------------|-------------------------|------|------|--|------|
| V _{OH} (V) | | | V _{OL} (V) | | | V _{DDL} (V) | | T _{delay} (ms) | | | ΔV _{DET} /ΔT _{opt} (μm/°C) | |
| Condition | MIN. | TYP. | Condition | TYP. | MAX. | TYP. | MAX. | MIN. | TYP. | MAX. | Condition | TYP. |
| V _{DD} = V _{DET} +0.1V I _{OH} = -150μA | 0.80× V _{DD} | 0.95× V _{DD} | V _{DD} = V _{DET} -0.1V, I _{OL} = 1.2mA | 0.16 | 0.30 | *1 0.75 | *1 1.00 | 216 | 240 | 264 | -40°C ≤ T _{opt} ≤ 85°C | ±100 |
| V _{DD} = V _{DET} +0.1V I _{OH} = -500μA | 0.80× V _{DD} | 0.93× V _{DD} | | | | | | | | | | |
| V _{DD} = V _{DET} +0.1V I _{OH} = -800μA | 0.80× V _{DD} | 0.95× V _{DD} | V _{DD} = V _{DET} -0.1V, I _{OL} = 3.2mA | 0.18 | 0.40 | | | | | | | |

*1 describes V_{DD} Voltage when Output Voltage becomes equal or less than 0.3V.

R3130NxxxA/C, R3131NxxxA/C
• R3131N16EA/C to R3131N48EA/C

| Part Number | Detector Threshold | | | Supply Current 1 | | | Supply Current 2 | | | Supply Current 3 | | |
|--------------|----------------------|-------|-------|-----------------------|------|------|--|------|------|-----------------------|--|------|
| | V _{DET} (V) | | | I _{SS1} (μA) | | | I _{SS2} (μA) | | | I _{SS3} (μA) | | |
| | MIN. | TYP. | MAX. | Condition | TYP. | MAX. | Condition | TYP. | MAX. | Condition | TYP. | MAX. |
| R3131N16EA/C | 1.576 | 1.600 | 1.624 | V _{DD} =6.0V | 1.40 | 5.00 | V _{DD} =V _{DET} +0.1V | 4.00 | 1.20 | 1.00 | V _{DD} =V _{DET} -0.1V | 3.50 |
| R3131N17EA/C | 1.675 | 1.700 | 1.725 | | | | | | | | | |
| R3131N18EA/C | 1.773 | 1.800 | 1.827 | | | | | | | | | |
| R3131N19EA/C | 1.872 | 1.900 | 1.928 | | | | | | | | | |
| R3131N20EA/C | 1.970 | 2.000 | 2.030 | | | | | | | | | |
| R3131N21EA/C | 2.069 | 2.100 | 2.131 | | | | | | | | | |
| R3131N22EA/C | 2.167 | 2.200 | 2.233 | | | | | | | | | |
| R3131N23EA/C | 2.266 | 2.300 | 2.334 | | | | | | | | | |
| R3131N24EA/C | 2.364 | 2.400 | 2.436 | | | | | | | | | |
| R3131N25EA/C | 2.463 | 2.500 | 2.537 | | | | | | | | | |
| R3131N26EA/C | 2.561 | 2.600 | 2.639 | | | | | | | | | |
| R3131N27EA/C | 2.660 | 2.700 | 2.740 | | | | | | | | | |
| R3131N28EA/C | 2.758 | 2.800 | 2.842 | | | | | | | | | |
| R3131N29EA/C | 2.857 | 2.900 | 2.943 | | | | | | | | | |
| R3131N30EA/C | 2.955 | 3.000 | 3.045 | | | | | | | | | |
| R3131N31EA/C | 3.054 | 3.100 | 3.146 | | | | | | | | | |
| R3131N32EA/C | 3.152 | 3.200 | 3.248 | | | | | | | | | |
| R3131N33EA/C | 3.251 | 3.300 | 3.349 | | | | | | | | | |
| R3131N34EA/C | 3.349 | 3.400 | 3.451 | | | | | | | | | |
| R3131N35EA/C | 3.448 | 3.500 | 3.552 | | | | | | | | | |
| R3131N36EA/C | 3.546 | 3.600 | 3.654 | | | | | | | | | |
| R3131N37EA/C | 3.645 | 3.700 | 3.755 | | | | | | | | | |
| R3131N38EA/C | 3.743 | 3.800 | 3.857 | | | | | | | | | |
| R3131N39EA/C | 3.842 | 3.900 | 3.958 | | | | | | | | | |
| R3131N40EA/C | 3.940 | 4.000 | 4.060 | | | | | | | | | |
| R3131N41EA/C | 4.039 | 4.100 | 4.161 | | | | | | | | | |
| R3131N42EA/C | 4.137 | 4.200 | 4.263 | | | | | | | | | |
| R3131N43EA/C | 4.236 | 4.300 | 4.364 | | | | | | | | | |
| R3131N44EA/C | 4.334 | 4.400 | 4.466 | | | | | | | | | |
| R3131N45EA/C | 4.433 | 4.500 | 4.567 | | | | | | | | | |
| R3131N46EA/C | 4.531 | 4.600 | 4.669 | | | | | | | | | |
| R3131N47EA/C | 4.630 | 4.700 | 4.770 | | | | | | | | | |
| R3131N48EA/C | 4.728 | 4.800 | 4.872 | | | | | | | | | |
| | | | | | | | | | 1.25 | 1.10 | | |
| | | | | | | | | | 1.30 | 1.15 | | |

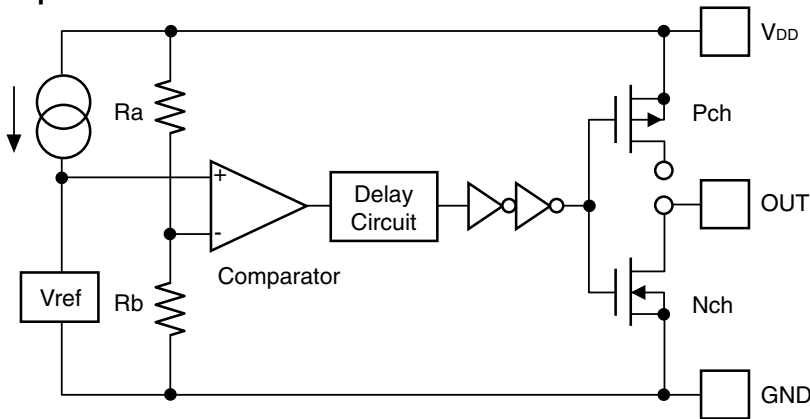
T_{opt} = 25°C

| “H” Output Voltage | | | “L” Output Voltage | | | Minimum Operating Voltage | | Output Delay Time | | | Detector Threshold Temperature Coefficient | |
|--|--------------------------|--------------------------|---|------|------|---------------------------|------------|-------------------------|------|------|---|------|
| V _{OH} (V) | | | V _{OL} (V) | | | V _{DDL} (V) | | T _{delay} (ms) | | | ΔV _{DET} /ΔT _{opt} (ppm/°C) | |
| Condition | MIN. | TYP. | Condition | TYP. | MAX. | TYP. | MAX. | MIN. | TYP. | MAX. | Condition | TYP. |
| V _{DD} = V _{DET} -0.1V I _{OH} = -150μA | 0.80× V _{DD} | 0.95× V _{DD} | V _{DD} = V _{DET} +0.1V, I _{OL} = 1.2mA | 0.16 | 0.30 | *2 0.90 | *2 1.00 | 216 | 240 | 264 | -40°C ≤ T _{opt} ≤ 85°C | ±100 |
| V _{DD} = V _{DET} -0.1V I _{OH} = -500μA | 0.80× V _{DD} | 0.93× V _{DD} | | | | | | | | | | |
| V _{DD} = V _{DET} -0.1V I _{OH} = -800μA | 0.80× V _{DD} | 0.95× V _{DD} | V _{DD} = V _{DET} +0.1V, I _{OL} = 3.2mA | 0.18 | 0.40 | | | | | | | |

*2 CMOS Output Type; describes V_{DD} voltage when Output Voltage becomes equal or more than V_{DD}×0.8V
Nch Open Drain Output Type; describes V_{DD} voltage when Off-leakage Current becomes equal or less than 0.1μA.

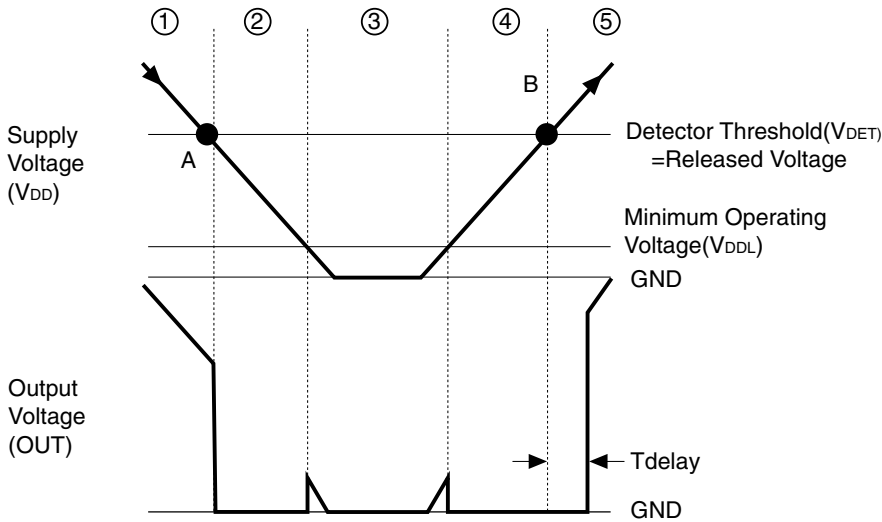
OPERATION

• Operation of R3130N Series



- CMOS Output Type
OUT pin is connected to the drain of Nch Tr. and Pch Tr. in this IC.
- Nch Open Drain Output Type
OUT pin is connected to the drain of Nch Tr. in this IC. (OUT pin should be pulled up to VDD or an external voltage level.)

Block Diagram



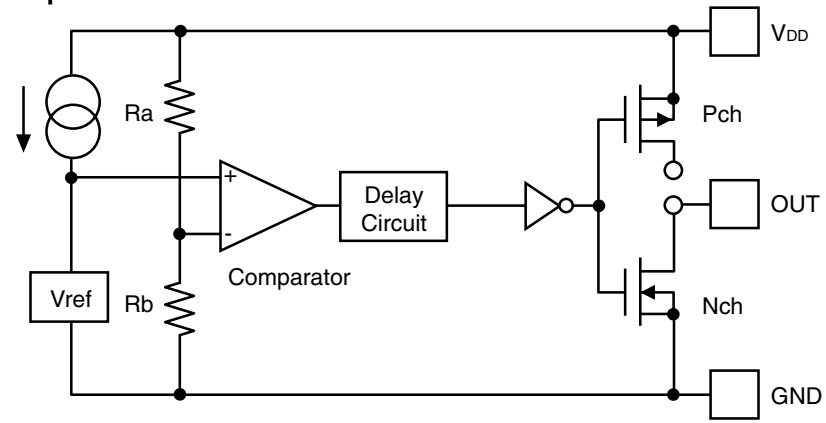
Operating Diagram

In the above diagram,

- ① Output Voltage becomes equal to supply voltage (Nch Open Drain Output Type; equal to pull-up Voltage).
- ② When Supply Voltage is down to the detector threshold level (Point A), $V_{ref} \geq V_{DD} \times R_b / (R_a + R_b)$ is true. Then, Output of the comparator is reversed, thus output voltage becomes equal to GND level.
- ③ When Supply Voltage is lower than minimum operating voltage, Output of transistor is indefinite, therefore Output is also indefinite.
- ④ Output Voltage is equal to GND level.
- ⑤ When Supply voltage is higher than Released Voltage (Point B), $V_{ref} \leq V_{DD} \times R_b / (R_a + R_b)$ is true. Then Output of the comparator is reversed, thus Output Voltage becomes equal to Supply Voltage (Nch Open Drain Output Type; equal to pull-up voltage).

* There is no hysteresis range between Detector threshold and Released Voltage.

• Operation of R3131N Series



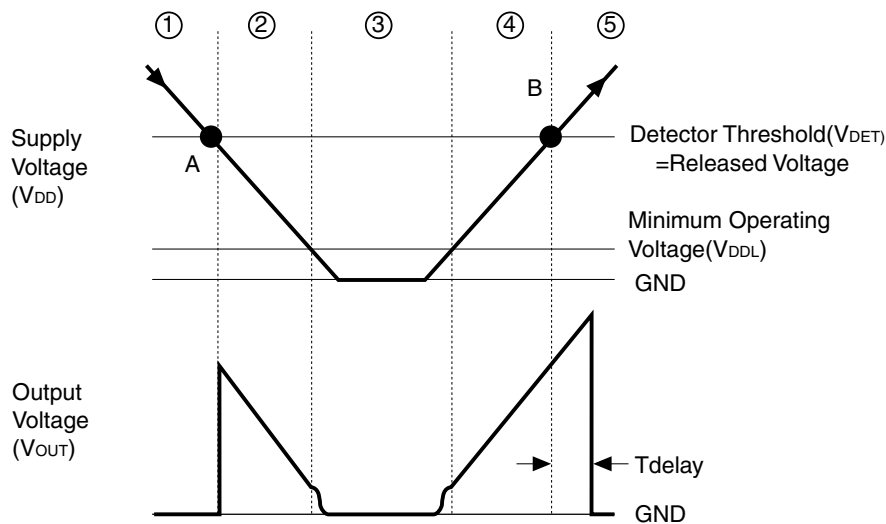
- CMOS Output Type

OUT pin is connected to the drain of Nch Tr. and Pch Tr. in this IC.

- Nch Open Drain Output Type: I

OUT pin is connected to the drain of Nch Tr. in this IC. (OUT pin should be pulled up to V_{DD} or an external voltage level.)

Block Diagram



Operation Diagram

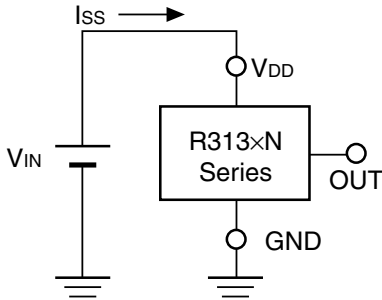
In the above diagram,

- ① Output Voltage becomes equal to GND level.
- ② When Supply Voltage is down to the detector threshold level (Point A), $V_{ref} \geq V_{DD} \times R_b / (R_a + R_b)$ is true. Then, Output of the comparator is reversed, thus output voltage becomes equal to Supply Voltage (Nch Open Drain Output type; equal to pull-up Voltage).
- ③ When Supply Voltage is lower than minimum operating voltage, Output of transistor is indefinite, therefore Output is also indefinite. (Nch Open Drain Output type; Output voltage level is equal to pull-up voltage.)
- ④ Output Voltage is equal to Supply Voltage. (Nch Open Drain Output type; equal to pull-up Voltage.)
- ⑤ When Supply voltage is higher than Released Voltage (Point B), $V_{ref} \leq V_{DD} \times R_b / (R_a + R_b)$ is true. Then Output of the comparator is reversed, thus Output Voltage becomes equal to GND level after the output delay time.

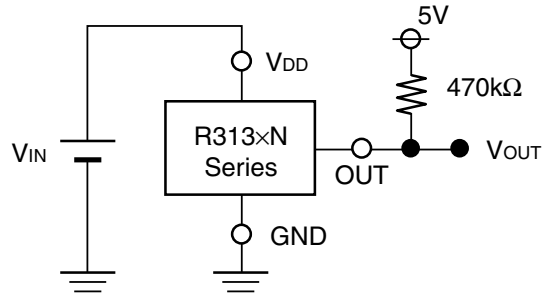
* There is no hysteresis range between Detector threshold and Released Voltage.

TEST CIRCUITS

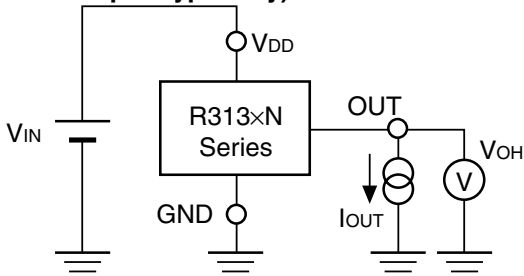
- Test Circuit for Supply Current



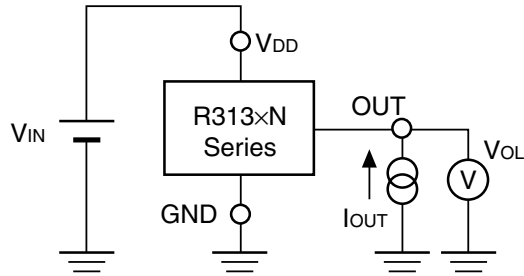
- Test Circuit for Detector Threshold (CMOS Output type; pull-up part is not necessary.)



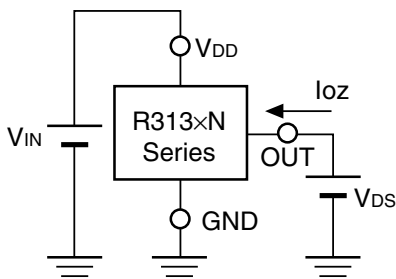
- Test Circuit for “H” Output Voltage (CMOS Output Type only)



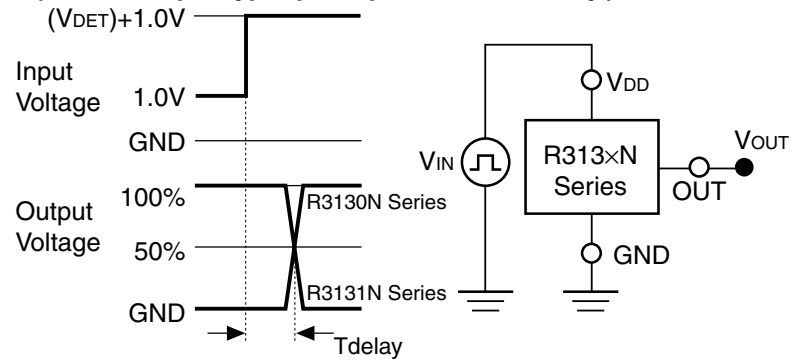
- Test Circuit for “L” Output Voltage



- Test Circuit for Off Leakage Current

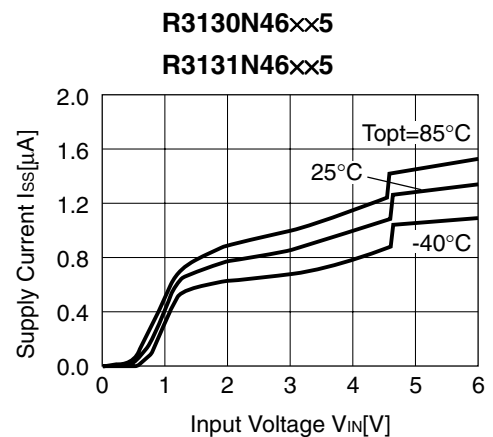
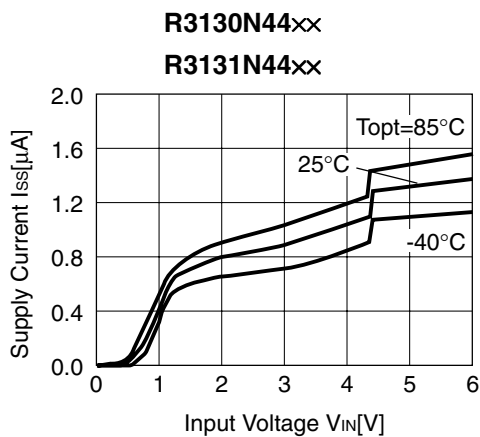
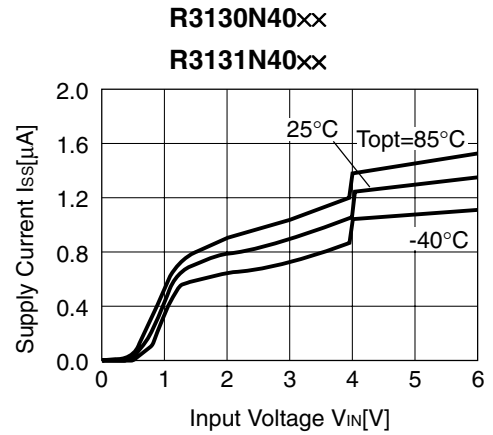
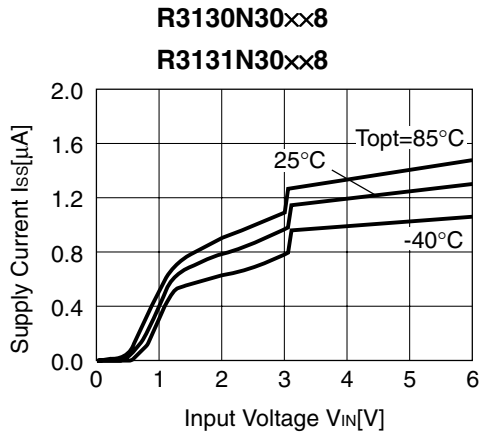
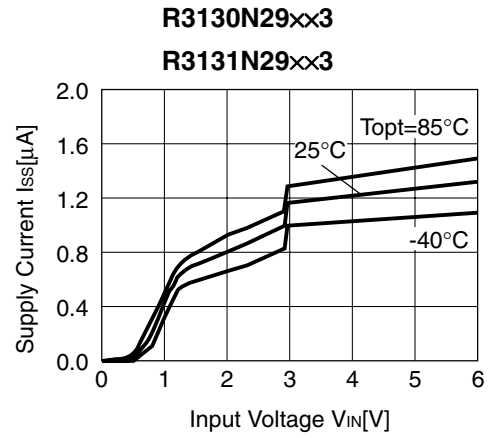
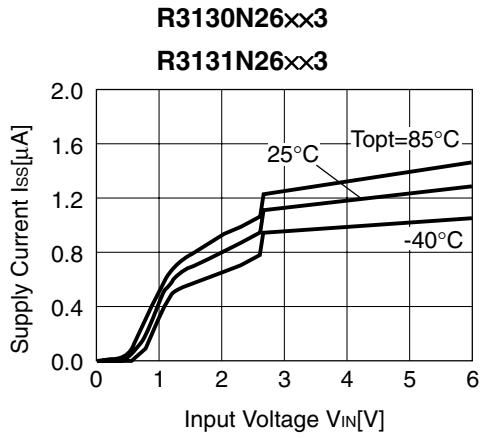


- Test Circuit for Output Delay Time (CMOS Output type; pull-up is not necessary.)

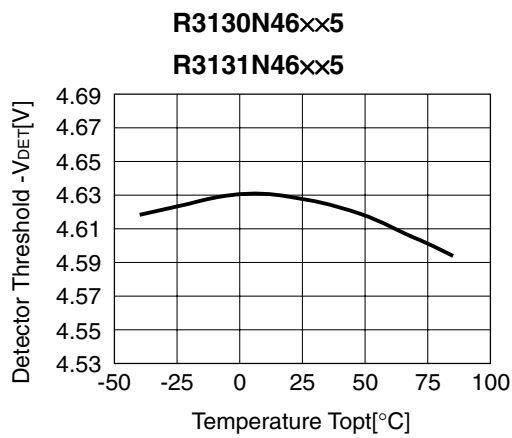
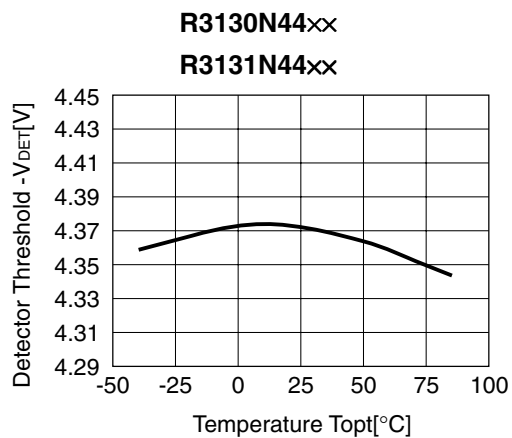
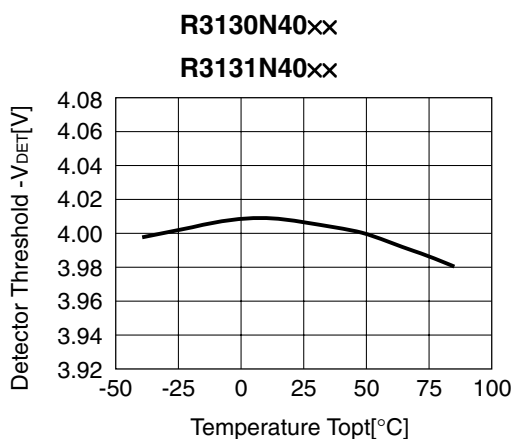
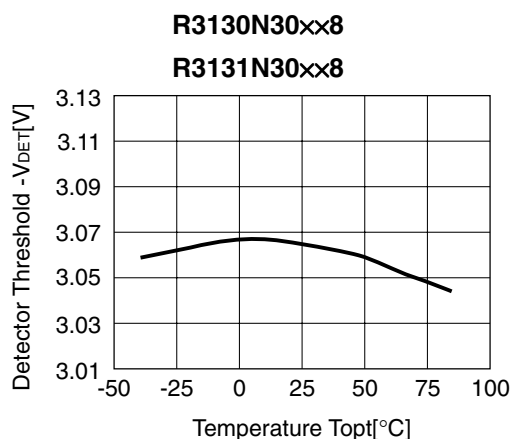
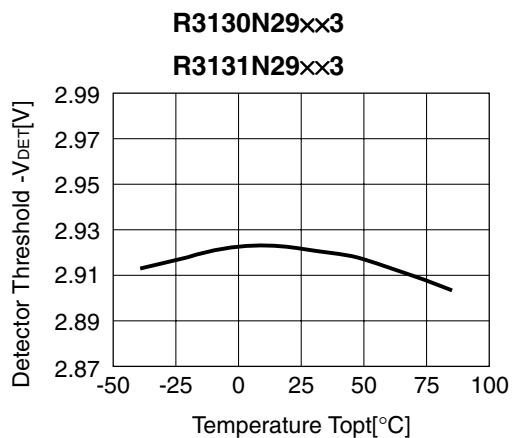
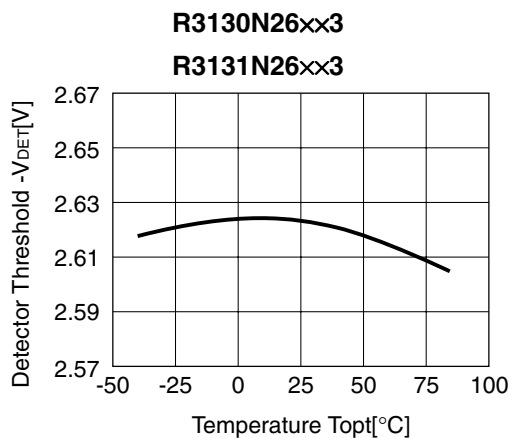


TYPICAL CHARACTERISTICS

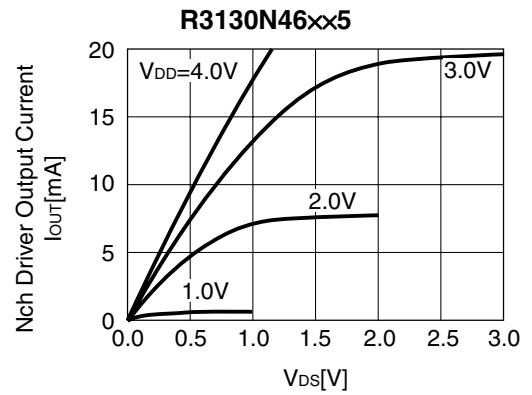
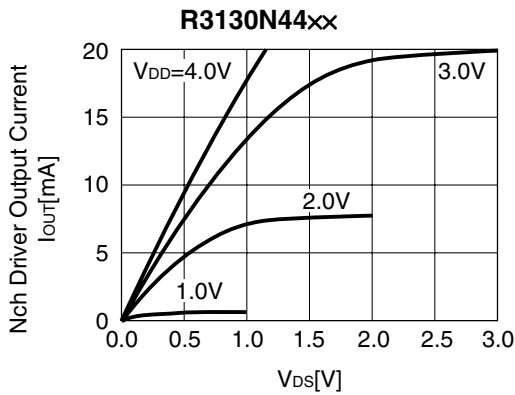
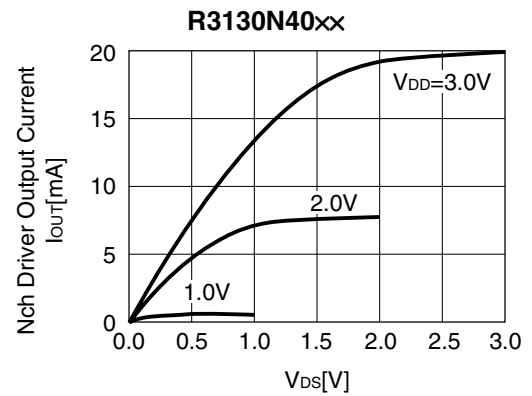
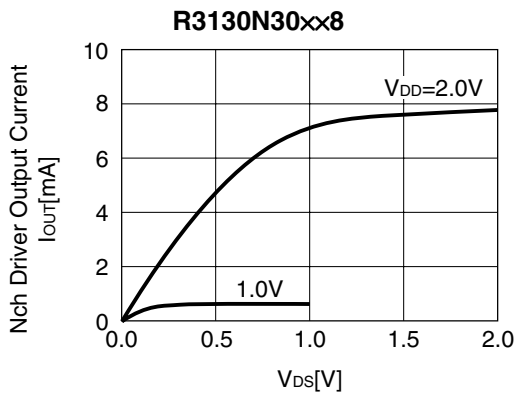
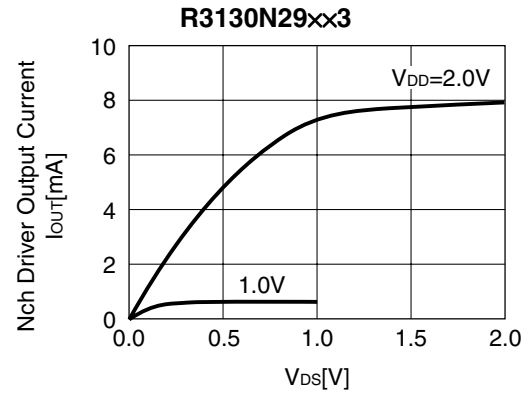
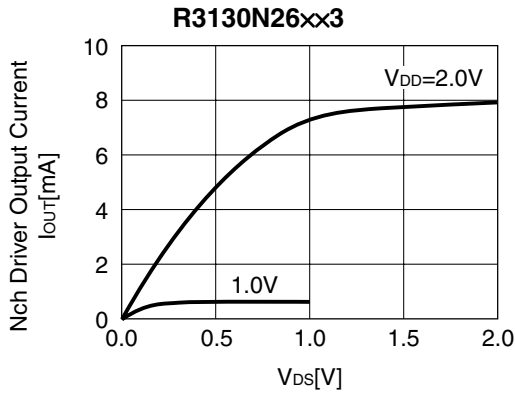
1) Supply Current vs. Input Voltage

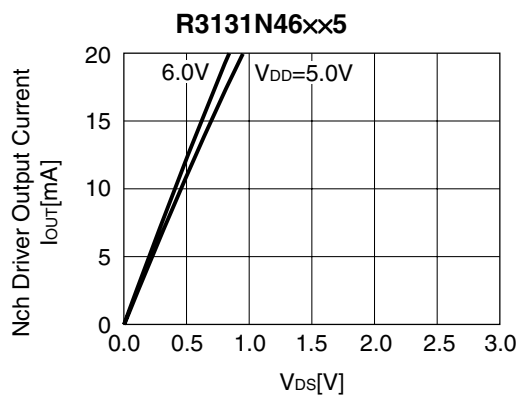
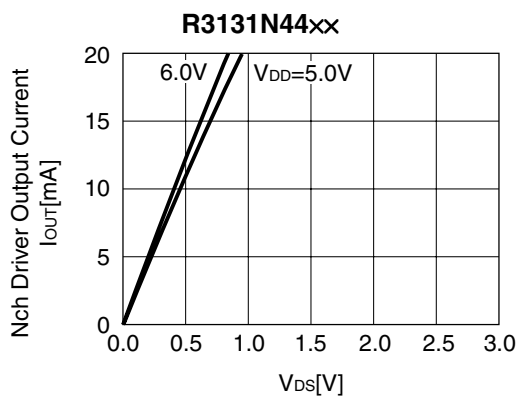
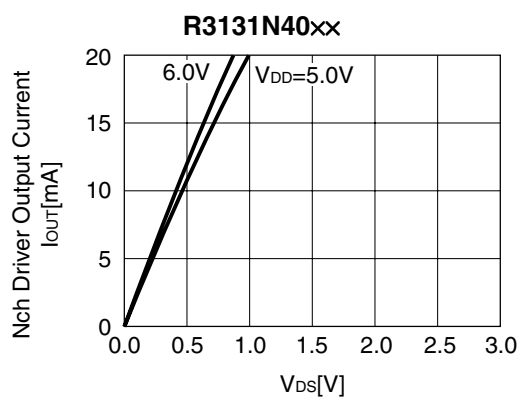
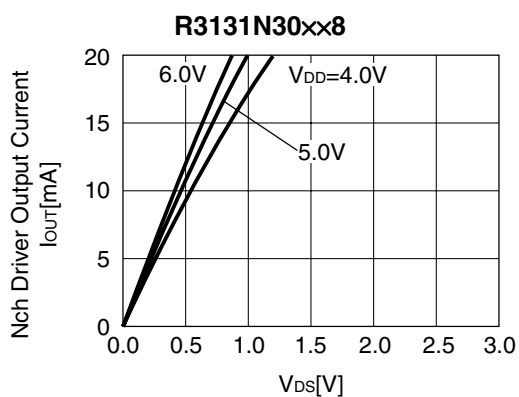
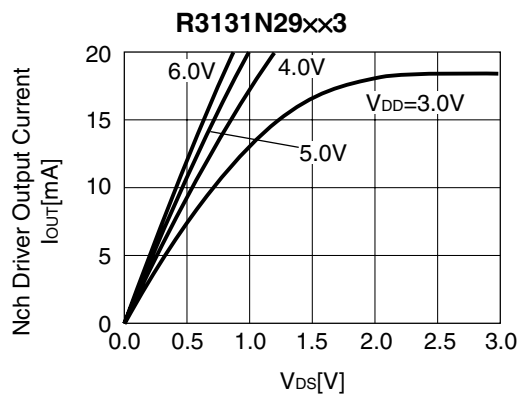
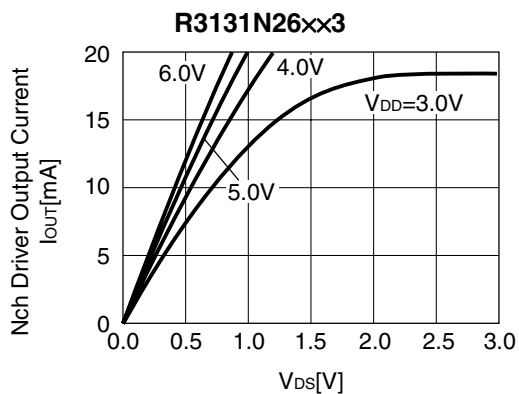


2) Detector Threshold vs. Temperature

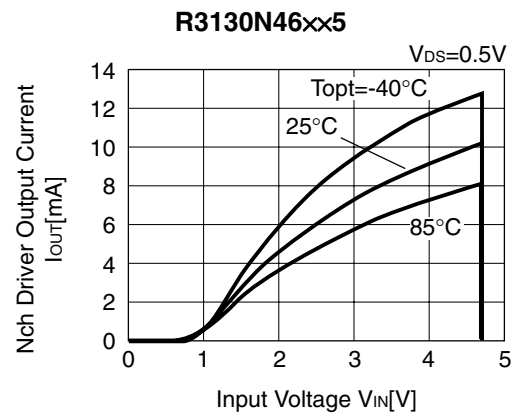
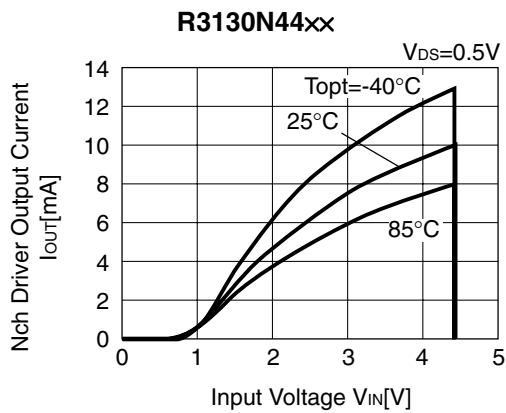
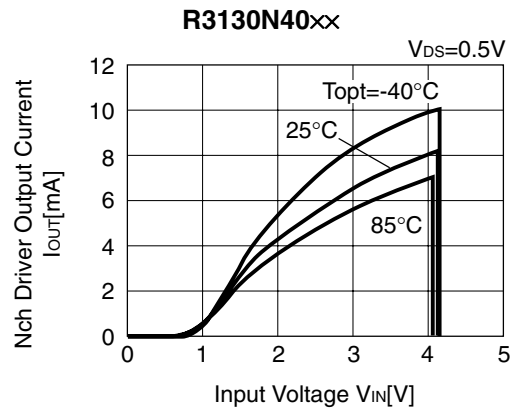
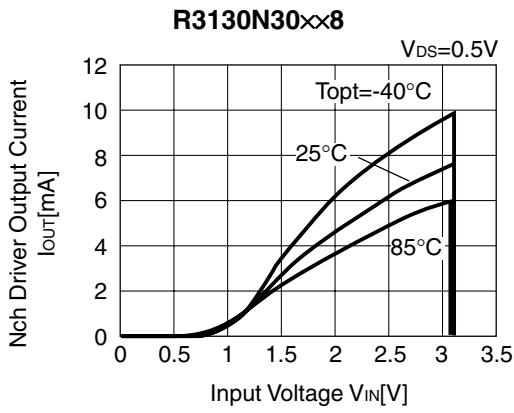
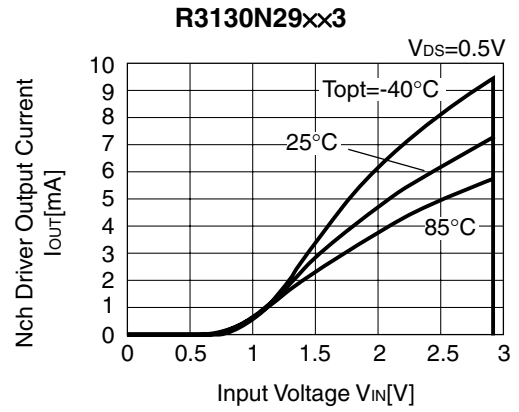
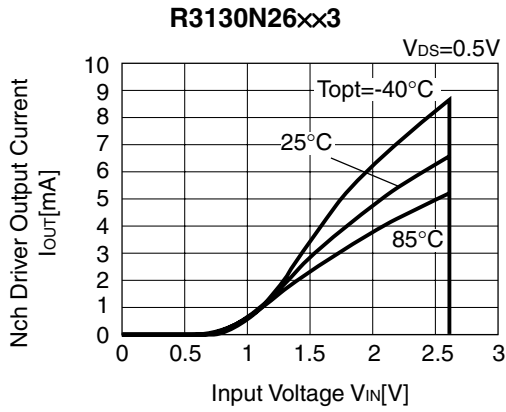


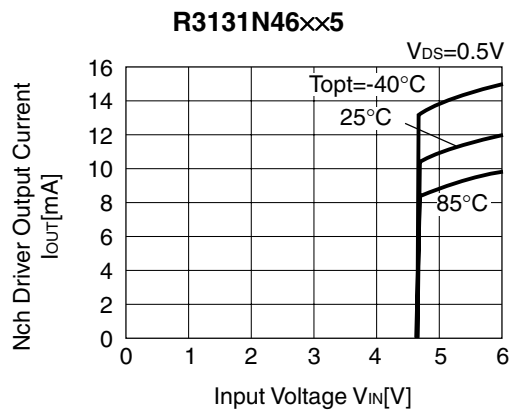
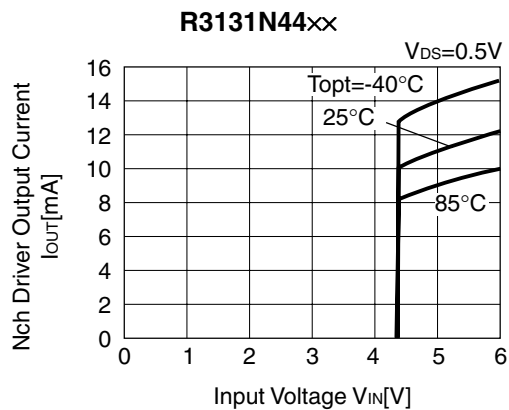
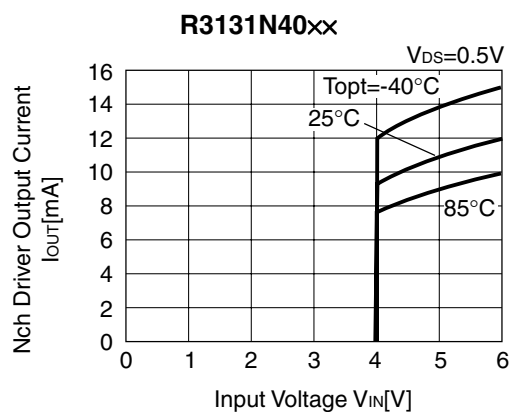
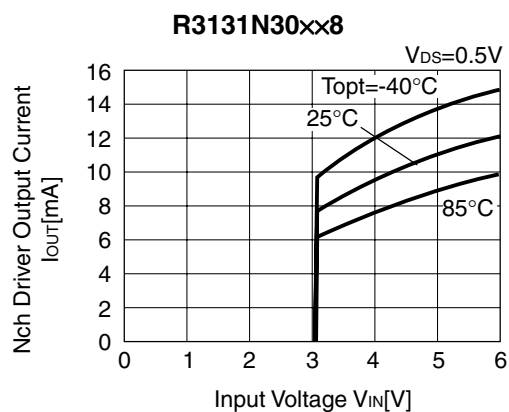
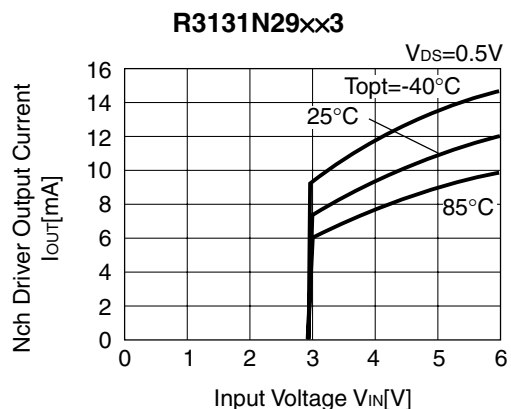
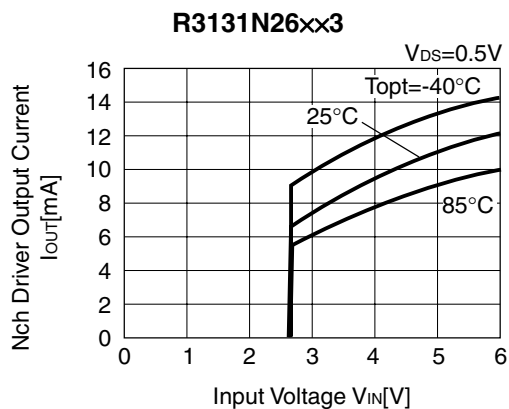
3) Nch Driver Output Current vs. V_{DS}



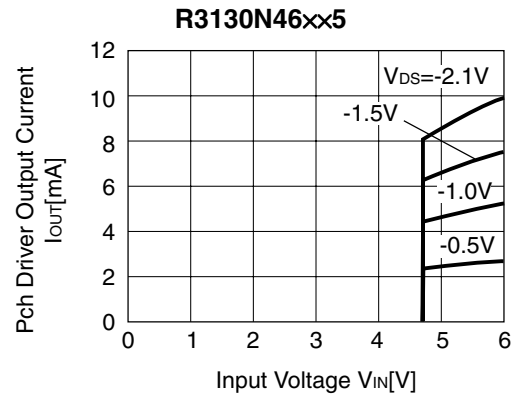
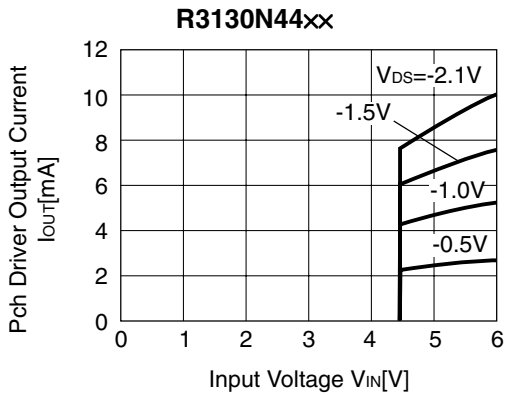
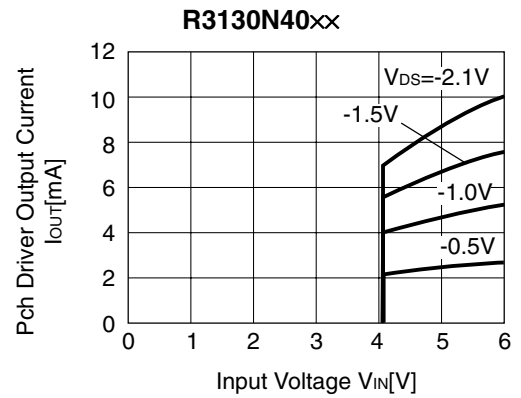
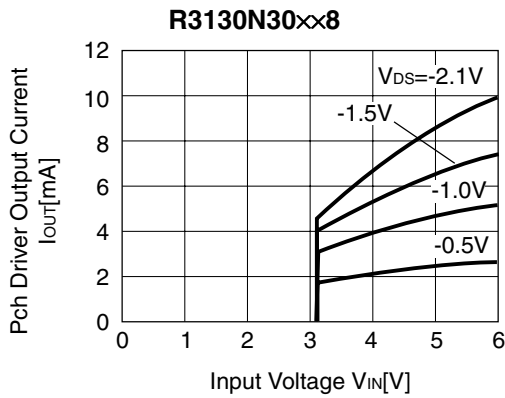
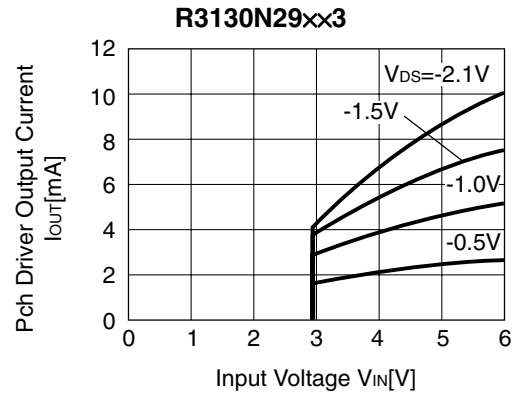
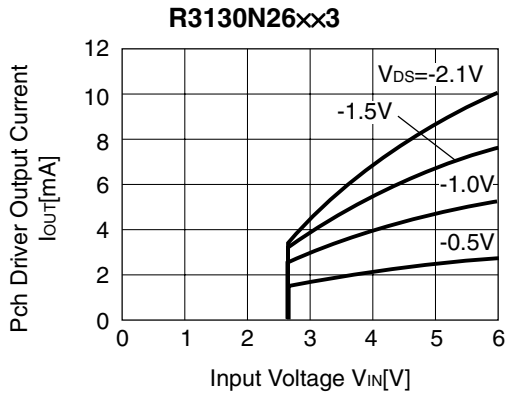


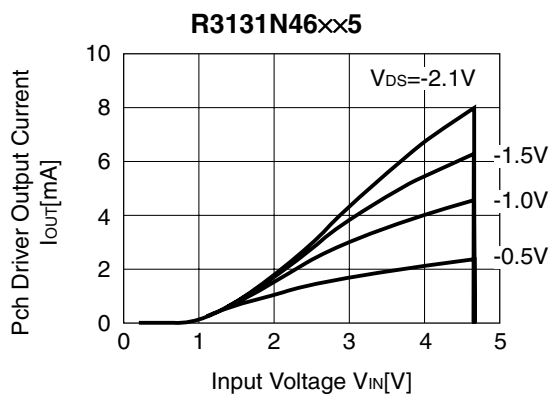
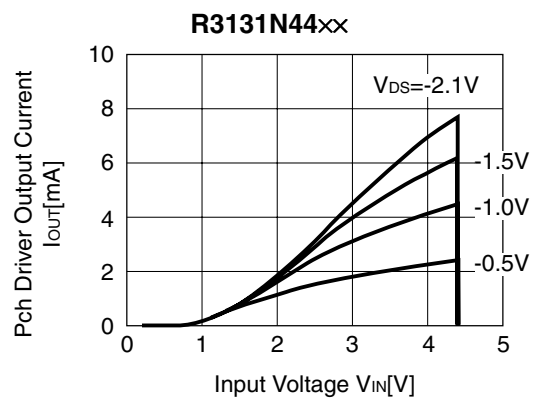
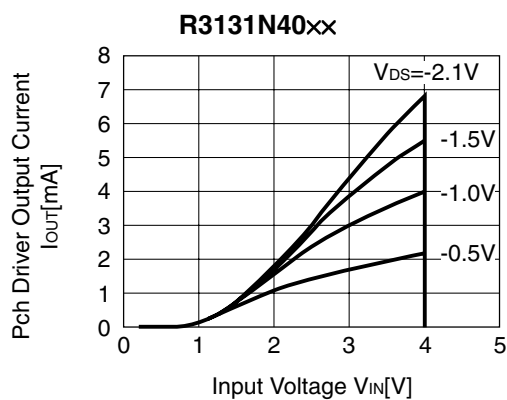
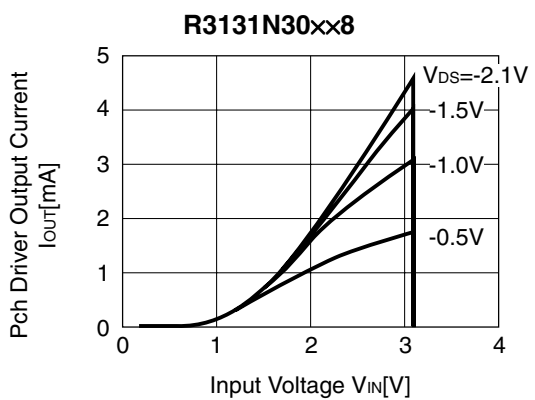
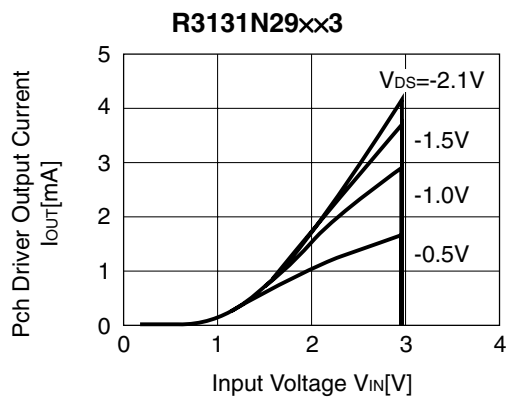
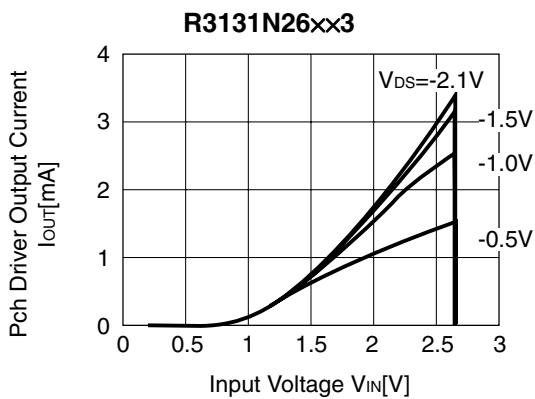
4) Nch Driver Output Current vs. Input Voltage



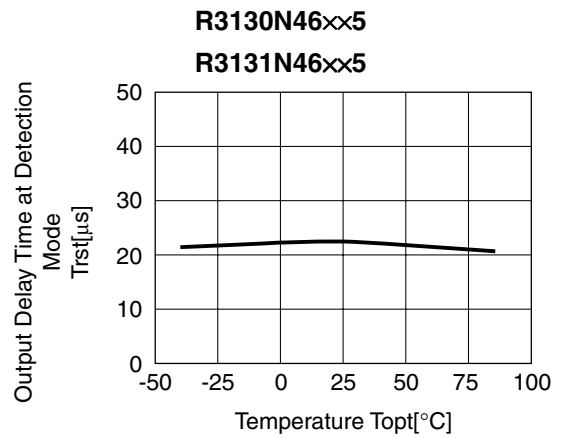
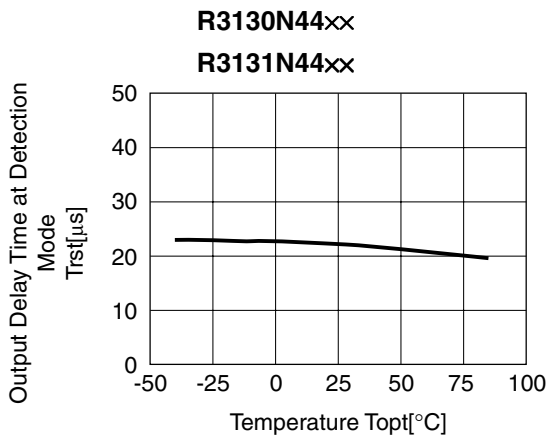
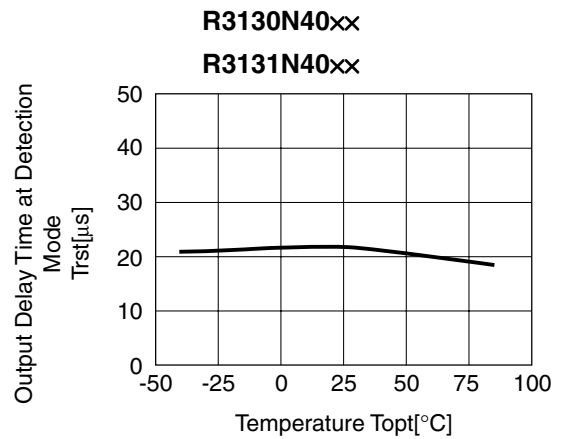
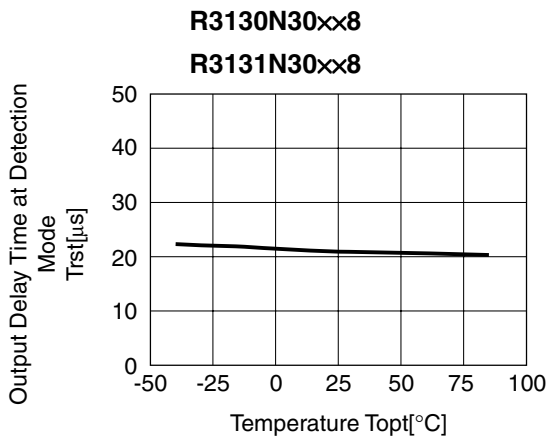
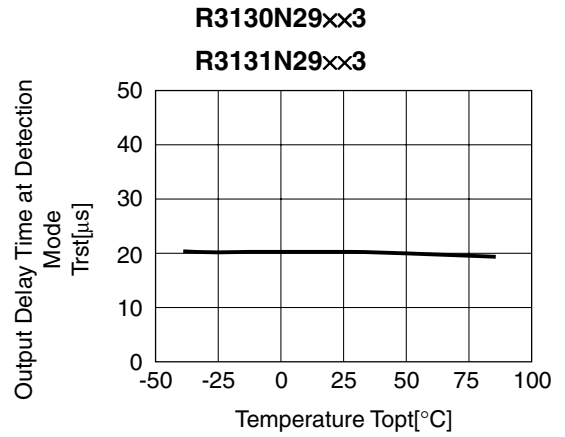
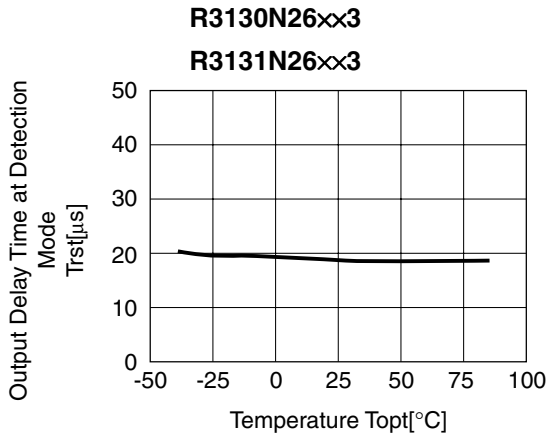


5) Pch Driver Output Current vs. Input Voltage

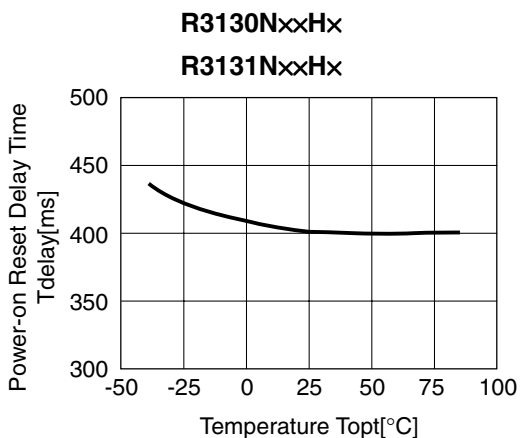
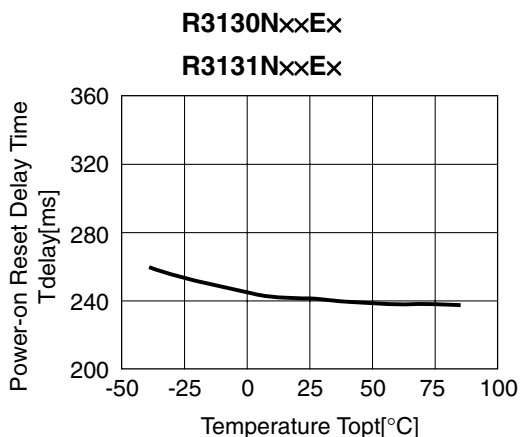
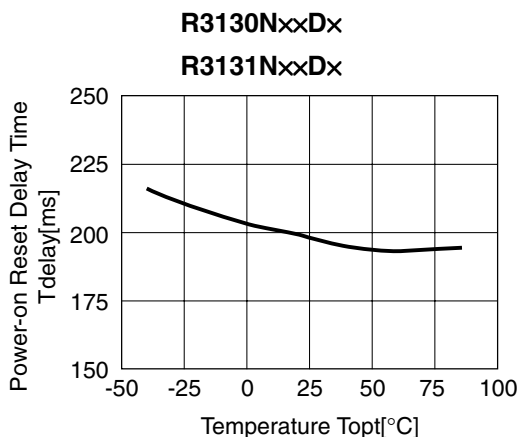
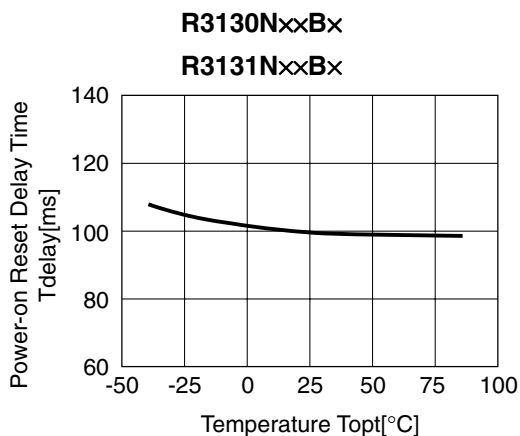
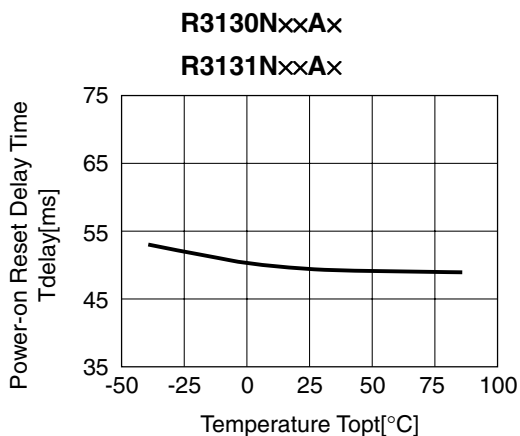




6) Output Delay Time at Detection Mode vs. Temperature



7) Power-on Reset Delay Time vs. Temperature



TECHNICAL NOTES

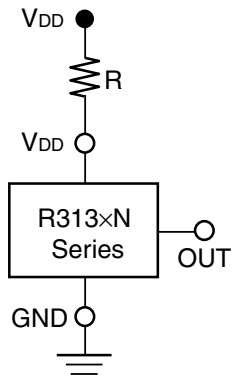


Figure A

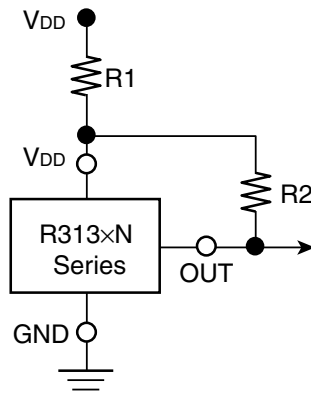
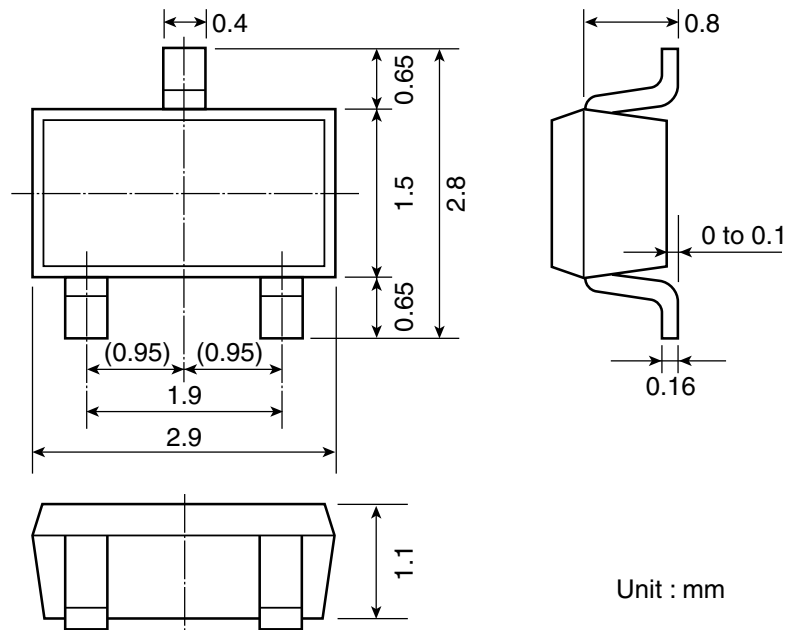


Figure B

As shown wiring in Figure A and Figure B may cause unstable operation by through-type current at detection of all types of R313xN Series. And Detector Threshold may shift because of voltage drop by consumption current of this IC itself.

PACKAGE DIMENSIONS



Unit : mm

Компания «Океан Электроники» предлагает заключение долгосрочных отношений при поставках импортных электронных компонентов на взаимовыгодных условиях!

Наши преимущества:

- Поставка оригинальных импортных электронных компонентов напрямую с производств Америки, Европы и Азии, а так же с крупнейших складов мира;
- Широкая линейка поставок активных и пассивных импортных электронных компонентов (более 30 млн. наименований);
- Поставка сложных, дефицитных, либо снятых с производства позиций;
- Оперативные сроки поставки под заказ (от 5 рабочих дней);
- Экспресс доставка в любую точку России;
- Помощь Конструкторского Отдела и консультации квалифицированных инженеров;
- Техническая поддержка проекта, помощь в подборе аналогов, поставка прототипов;
- Поставка электронных компонентов под контролем ВП;
- Система менеджмента качества сертифицирована по Международному стандарту ISO 9001;
- При необходимости вся продукция военного и аэрокосмического назначения проходит испытания и сертификацию в лаборатории (по согласованию с заказчиком);
- Поставка специализированных компонентов военного и аэрокосмического уровня качества (Xilinx, Altera, Analog Devices, Intersil, Interpoint, Microsemi, Actel, Aeroflex, Peregrine, VPT, Syfer, Eurofarad, Texas Instruments, MS Kennedy, Miteq, Cobham, E2V, MA-COM, Hittite, Mini-Circuits, General Dynamics и др.);

Компания «Океан Электроники» является официальным дистрибьютором и эксклюзивным представителем в России одного из крупнейших производителей разъемов военного и аэрокосмического назначения «JONHON», а так же официальным дистрибьютором и эксклюзивным представителем в России производителя высокотехнологичных и надежных решений для передачи СВЧ сигналов «FORSTAR».



JONHON

«JONHON» (основан в 1970 г.)

Разъемы специального, военного и аэрокосмического назначения:

(Применяются в военной, авиационной, аэрокосмической, морской, железнодорожной, горно- и нефтедобывающей отраслях промышленности)

«FORSTAR» (основан в 1998 г.)

ВЧ соединители, коаксиальные кабели, кабельные сборки и микроволновые компоненты:

(Применяются в телекоммуникациях гражданского и специального назначения, в средствах связи, РЛС, а так же военной, авиационной и аэрокосмической отраслях промышленности).



Телефон: 8 (812) 309-75-97 (многоканальный)

Факс: 8 (812) 320-03-32

Электронная почта: ocean@oceanchips.ru

Web: <http://oceanchips.ru/>

Адрес: 198099, г. Санкт-Петербург, ул. Калинина, д. 2, корп. 4, лит. А