



Is Now Part of



**ON Semiconductor®**

To learn more about ON Semiconductor, please visit our website at  
[www.onsemi.com](http://www.onsemi.com)

Please note: As part of the Fairchild Semiconductor integration, some of the Fairchild orderable part numbers will need to change in order to meet ON Semiconductor's system requirements. Since the ON Semiconductor product management systems do not have the ability to manage part nomenclature that utilizes an underscore (\_), the underscore (\_) in the Fairchild part numbers will be changed to a dash (-). This document may contain device numbers with an underscore (\_). Please check the ON Semiconductor website to verify the updated device numbers. The most current and up-to-date ordering information can be found at [www.onsemi.com](http://www.onsemi.com). Please email any questions regarding the system integration to [Fairchild\\_questions@onsemi.com](mailto:Fairchild_questions@onsemi.com).

ON Semiconductor and the ON Semiconductor logo are trademarks of Semiconductor Components Industries, LLC dba ON Semiconductor or its subsidiaries in the United States and/or other countries. ON Semiconductor owns the rights to a number of patents, trademarks, copyrights, trade secrets, and other intellectual property. A listing of ON Semiconductor's product/patent coverage may be accessed at [www.onsemi.com/site/pdf/Patent-Marking.pdf](http://www.onsemi.com/site/pdf/Patent-Marking.pdf). ON Semiconductor reserves the right to make changes without further notice to any products herein. ON Semiconductor makes no warranty, representation or guarantee regarding the suitability of its products for any particular purpose, nor does ON Semiconductor assume any liability arising out of the application or use of any product or circuit, and specifically disclaims any and all liability, including without limitation special, consequential or incidental damages. Buyer is responsible for its products and applications using ON Semiconductor products, including compliance with all laws, regulations and safety requirements or standards, regardless of any support or applications information provided by ON Semiconductor. "Typical" parameters which may be provided in ON Semiconductor data sheets and/or specifications can and do vary in different applications and actual performance may vary over time. All operating parameters, including "Typicals" must be validated for each customer application by customer's technical experts. ON Semiconductor does not convey any license under its patent rights nor the rights of others. ON Semiconductor products are not designed, intended, or authorized for use as a critical component in life support systems or any FDA Class 3 medical devices or medical devices with a same or similar classification in a foreign jurisdiction or any devices intended for implantation in the human body. Should Buyer purchase or use ON Semiconductor products for any such unintended or unauthorized application, Buyer shall indemnify and hold ON Semiconductor and its officers, employees, subsidiaries, affiliates, and distributors harmless against all claims, costs, damages, and expenses, and reasonable attorney fees arising out of, directly or indirectly, any claim of personal injury or death associated with such unintended or unauthorized use, even if such claim alleges that ON Semiconductor was negligent regarding the design or manufacture of the part. ON Semiconductor is an Equal Opportunity/Affirmative Action Employer. This literature is subject to all applicable copyright laws and is not for resale in any manner.

# 74LCX112

## Low Voltage Dual J-K Negative Edge-Triggered Flip-Flop with 5V Tolerant Inputs

### General Description

The LCX112 is a dual J-K flip-flop. Each flip-flop has independent J, K, PRESET, CLEAR, and CLOCK inputs with Q, Q outputs. These devices are edge sensitive and change state on the negative going transition of the clock pulse. Clear and preset are independent of the clock and accomplished by a low logic level on the corresponding input. LCX devices are designed for low voltage (3.3V or 2.5) operation with the added capability of interfacing to a 5V signal environment.

The 74LCX112 is fabricated with advanced CMOS technology to achieve high speed operation while maintaining CMOS low power dissipation.

### Features

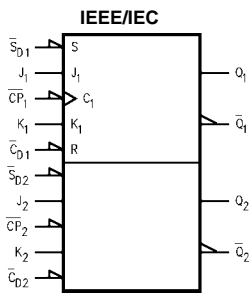
- 5V tolerant inputs
- 2.3V–3.6V  $V_{CC}$  specifications provided
- 7.5 ns  $t_{PD}$  max ( $V_{CC} = 3.3V$ ), 10  $\mu A$   $I_{CC}$  max
- Power down high impedance inputs and outputs
- $\pm 24$  mA output drive ( $V_{CC} = 3.0V$ )
- Implements patented noise/EMI reduction circuitry
- Latch-up performance exceeds 500 mA
- ESD performance:
  - Human body model > 2000V
  - Machine model > 2000V

### Ordering Code:

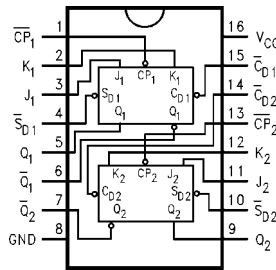
| Order Number | Package Number | Package Description   |
|--------------|----------------|---|
| 74LCX112M    | M16A           | 16-Lead Small Outline Integrated Circuit (SOIC), JEDEC MS-012, 0.150 Narrow |
| 74LCX112SJ   | M16D           | 16-Lead Small Outline Package (SOP), EIAJ TYPE II, 5.3mm Wide               |
| 74LCX112MTC  | MTC16          | 16-Lead Thin Shrink Small Outline Package (TSSOP), JEDEC MO-153, 4.4mm Wide |

Devices also available in Tape and Reel. Specify by appending suffix letter "X" to the ordering code.

### Logic Symbol



### Connection Diagram



### Pin Descriptions

| Pin Names                                  | Description                              |
|--|--|
| $J_1, J_2, K_1, K_2$                       | Data Inputs                              |
| $\overline{CP}_1, \overline{CP}_2$         | Clock Pulse Inputs (Active Falling Edge) |
| $\overline{CD}_1, \overline{CD}_2$         | Direct Clear Inputs (Active LOW)         |
| $\overline{SD}_1, \overline{SD}_2$         | Direct Set Inputs (Active LOW)           |
| $Q_1, Q_2, \overline{Q}_1, \overline{Q}_2$ | Outputs                                  |

74LCX112 Low Voltage Dual J-K Negative Edge-Triggered Flip-Flop with 5V Tolerant Inputs

### Truth Table

(Each half)

| Inputs           |                  |                  |   |   | Outputs          |                  |
|------------------|------------------|------------------|---|---|------------------|------------------|
| $\overline{S_D}$ | $\overline{C_D}$ | $\overline{C_P}$ | J | K | Q                | $\overline{Q}$   |
| L                | H                | X                | X | X | H                | L                |
| H                | L                | X                | X | X | L                | H                |
| L                | L                | X                | X | X | H                | H                |
| H                | H                | ~                | h | h | $\overline{Q_0}$ | $Q_0$            |
| H                | H                | ~                | l | h | L                | H                |
| H                | H                | ~                | h | l | H                | L                |
| H                | H                | ~                | l | l | $Q_0$            | $\overline{Q_0}$ |
| H                | H                | H                | X | X | $Q_0$            | $\overline{Q_0}$ |

H(h) = HIGH Voltage Level

L(l) = LOW Voltage Level

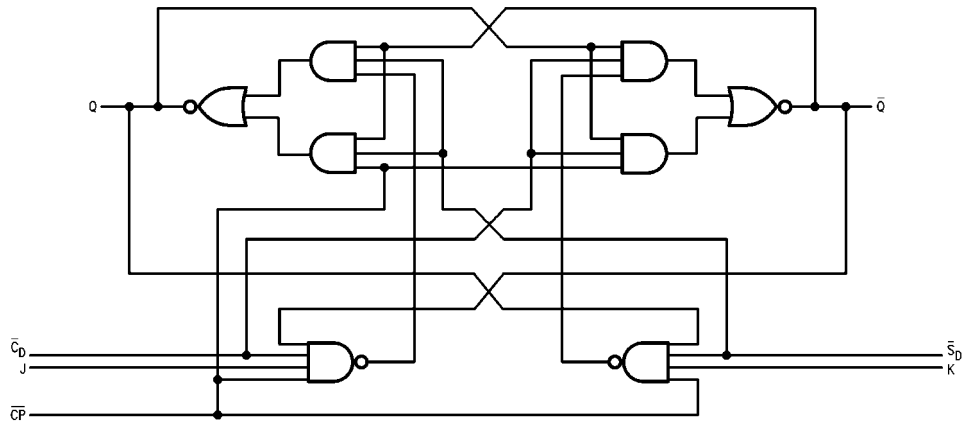
X = Immaterial

~ = HIGH-to-LOW Clock Transition

$Q_0(\overline{Q_0})$  = Before HIGH-to-LOW Transition of Clock

Lower case letters indicate the state of the referenced input or output one setup time prior to the HIGH-to-LOW clock transition.

### Logic Diagram



| Absolute Maximum Ratings <sup>(Note 1)</sup> |                                  |                               |                                      |       |  |
|--|----------------------------------|-------------------------------|--------------------------------------|-------|--|
| Symbol                                       | Parameter                        | Value                         | Conditions                           | Units |  |
| V <sub>CC</sub>                              | Supply Voltage                   | -0.5 to +7.0                  |                                      | V     |  |
| V <sub>I</sub>                               | DC Input Voltage                 | -0.5 to +7.0                  |                                      | V     |  |
| V <sub>O</sub>                               | DC Output Voltage                | -0.5 to V <sub>CC</sub> + 0.5 | Output in HIGH or LOW State (Note 2) | V     |  |
| I <sub>IK</sub>                              | DC Input Diode Current           | -50                           | V <sub>I</sub> < GND                 | mA    |  |
| I <sub>OK</sub>                              | DC Output Diode Current          | -50                           | V <sub>O</sub> < GND                 | mA    |  |
|  |                                  | +50                           | V <sub>O</sub> > V <sub>CC</sub>     |       |  |
| I <sub>O</sub>                               | DC Output Source/Sink Current    | ±50                           |                                      | mA    |  |
| I <sub>CC</sub>                              | DC Supply Current per Supply Pin | ±100                          |                                      | mA    |  |
| I <sub>GND</sub>                             | DC Ground Current per Ground Pin | ±100                          |                                      | mA    |  |
| T <sub>STG</sub>                             | Storage Temperature              | -65 to 150                    |                                      | °C    |  |

| Recommended Operating Conditions (Note 3) |  |                               |                 |       |    |
|---|--|-------------------------------|-----------------|-------|----|
| Symbol                                    | Parameter  | Min                           | Max             | Units |    |
| V <sub>CC</sub>                           | Supply Voltage   | Operating                     | 2.0             | 3.6   | V  |
|   |  | Data Retention                | 1.5             | 3.6   |    |
| V <sub>I</sub>                            | Input Voltage  | 0                             | 5.5             | V     |    |
| V <sub>O</sub>                            | Output Voltage   | 0                             | V <sub>CC</sub> | V     |    |
| I <sub>OH</sub> /I <sub>OL</sub>          | Output Current   | V <sub>CC</sub> = 3.0V – 3.6V |                 | ±24   | mA |
|   |  | V <sub>CC</sub> = 2.7V – 3.0V |                 | ±12   |    |
|   |  | V <sub>CC</sub> = 2.3V – 2.7V |                 | ±8    |    |
| T <sub>A</sub>                            | Free-Air Operating Temperature                                       | -40                           | 85              | °C    |    |
| Δt/ΔV                                     | Input Edge Rate, V <sub>IN</sub> = 0.8V–2.0V, V <sub>CC</sub> = 3.0V | 0                             | 10              | ns/V  |    |

**Note 1:** The Absolute Maximum Ratings are those values beyond which the safety of the device cannot be guaranteed. The device should not be operated at these limits. The parametric values defined in the Electrical Characteristics tables are not guaranteed at the Absolute Maximum Ratings. The "Recommended Operating Conditions" table will define the conditions for actual device operation.

**Note 2:** I<sub>O</sub> Absolute Maximum rating must be observed.

**Note 3:** Unused Inputs must be held HIGH or LOW. They may not float.

### DC Electrical Characteristics

| Symbol           | Parameter                             | Conditions                               | V <sub>CC</sub><br>(V) | T <sub>A</sub> = 40°C to +85°C |            | Units |
|------------------|---------------------------------------|--|------------------------|--------------------------------|------------|-------|
|                  |                                       |  |                        | Min                            | Max        |       |
| V <sub>IH</sub>  | HIGH Level Input Voltage              |  | 2.3 – 2.7<br>2.7 – 3.6 | 1.7<br>2.0                     |            | V     |
| V <sub>IL</sub>  | LOW Level Input Voltage               |  | 2.3 – 2.7<br>2.7 – 3.6 |                                | 0.7<br>0.8 | V     |
| V <sub>OH</sub>  | HIGH Level Output Voltage             | I <sub>OH</sub> = -100μA                 | 2.3 – 3.6              | V <sub>CC</sub> - 0.2          | 0.7        | V     |
|                  |                                       | I <sub>OH</sub> = -8 mA                  | 2.3                    |                                | 1.8        |       |
|                  |                                       | I <sub>OH</sub> = -12 mA                 | 2.7                    |                                | 2.2        |       |
|                  |                                       | I <sub>OH</sub> = -18 mA                 | 3.0                    |                                | 2.4        |       |
|                  |                                       | I <sub>OH</sub> = -24 mA                 | 3.0                    |                                | 2.2        |       |
| V <sub>OL</sub>  | LOW Level Output Voltage              | I <sub>OL</sub> = 100μA                  | 2.3 – 3.6              |                                | 0.6        | V     |
|                  |                                       | I <sub>OL</sub> = 8mA                    | 2.3                    |                                | 0.2        |       |
|                  |                                       | I <sub>OL</sub> = 12 mA                  | 2.7                    |                                | 0.4        |       |
|                  |                                       | I <sub>OL</sub> = 16 mA                  | 3.0                    |                                | 0.4        |       |
|                  |                                       | I <sub>OL</sub> = 24 mA                  | 3.0                    |                                | 0.55       |       |
| I <sub>I</sub>   | Input Leakage Current                 | 0 ≤ I <sub>I</sub> ≤ 5.5V                | 2.3 – 3.6              |                                | ±5.0       | μA    |
| I <sub>OFF</sub> | Power-Off Leakage Current             | V <sub>I</sub> or V <sub>O</sub> = 5.5V  | 0                      |                                | 10         | μA    |
| I <sub>CC</sub>  | Quiescent Supply Current              | V <sub>I</sub> = V <sub>CC</sub> or GND  | 2.3 – 3.6              |                                | 10         | μA    |
|                  |                                       | 3.6V ≤ V <sub>I</sub> ≤ 5.5V             | 2.3 – 3.6              |                                | ±10        | μA    |
| ΔI <sub>CC</sub> | Increase in I <sub>CC</sub> per Input | V <sub>IH</sub> = V <sub>CC</sub> - 0.6V | 2.3 – 3.6              |                                | 500        | μA    |

## AC Electrical Characteristics

| Symbol     | Parameters  | $T_A = 40^\circ\text{C to } 85^\circ\text{C}, R_L = 500\Omega$ |     |                      |     |                          |     | Units |
|------------|---|--|-----|----------------------|-----|--------------------------|-----|-------|
|            |   | $V_{CC} = 3.3V \pm 0.3V$                                       |     | $V_{CC} = 2.7V$      |     | $V_{CC} = 2.5V \pm 0.2V$ |     |       |
|            |   | $C_L = 50\text{ pF}$   |     | $C_L = 50\text{ pF}$ |     | $C_L = 30\text{ pF}$     |     |       |
|            |   | Min  | Max | Min                  | Max | Min                      | Max |       |
| $f_{MAX}$  | Maximum Clock Frequency   | 150  |     | 150                  |     | 150                      |     | MHz   |
| $t_{PHL}$  | Propagation Delay   | 1.5  | 7.5 | 1.5                  | 8.0 | 1.5                      | 9.0 | ns    |
| $t_{PLH}$  | $\overline{CP}_n$ to $Q_n$ or $\overline{Q}_n$                      | 1.5  | 7.5 | 1.5                  | 8.0 | 1.5                      | 9.0 |       |
| $t_{PHL}$  | Propagation Delay   | 1.5  | 7.0 | 1.5                  | 8.0 | 1.5                      | 8.4 | ns    |
| $t_{PLH}$  | $\overline{CD}_n$ or $\overline{SD}_n$ to $Q_n$ or $\overline{Q}_n$ | 1.5  | 7.0 | 1.7                  | 8.0 | 1.5                      | 8.4 |       |
| $t_S$      | Setup Time  | 2.5  |     | 2.5                  |     | 4.0                      |     | ns    |
| $t_H$      | Hold Time   | 1.5  |     | 1.5                  |     | 2.0                      |     | ns    |
| $t_W$      | Pulse Width $\overline{CP}$   | 3.3  |     | 3.3                  |     | 4.0                      |     | ns    |
| $t_W$      | Pulse Width ( $\overline{CD}$ , $\overline{SD}$ )                   | 3.3  |     | 3.3                  |     | 4.0                      |     | ns    |
| $t_{REC}$  | Recovery Time   | 2.0  |     | 2.5                  |     | 4.5                      |     | ns    |
| $t_{OSHL}$ | Output to Output Skew   |  | 1.0 |                      |     |                          |     | ns    |
| $t_{OSLH}$ | (Note 4)  |  | 1.0 |                      |     |                          |     |       |

**Note 4:** Skew is defined as the absolute value of the difference between the actual propagation delay for any two separate outputs of the same device. The specification applies to any outputs switching in the same direction, either HIGH-to-LOW ( $t_{OSHL}$ ), or LOW-to-HIGH ( $t_{OSLH}$ ).

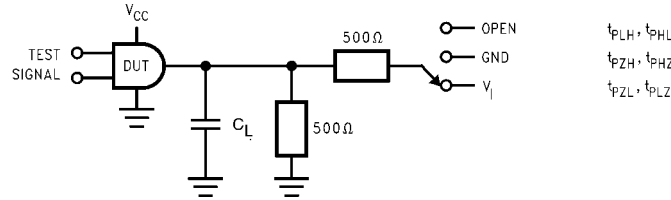
## Dynamic Switching Characteristics

| Symbol    | Parameter                            | Conditions   | $V_{CC}$<br>(V) | $T_A = 25^\circ\text{C}$ | Units |
|-----------|--------------------------------------|--|-----------------|--------------------------|-------|
|           |                                      |  |                 | Typical                  |       |
| $V_{OLP}$ | Quiet Output Dynamic Peak $V_{OL}$   | $C_L = 50\text{ pF}, V_{IH} = 3.3V, V_{IL} = 0V$<br>$C_L = 30\text{ pF}, V_{IH} = 2.5V, V_{IL} = 0V$ | 3.3<br>2.5      | 0.8<br>0.6               | V     |
| $V_{OLV}$ | Quiet Output Dynamic Valley $V_{OL}$ | $C_L = 50\text{ pF}, V_{IH} = 3.3V, V_{IL} = 0V$<br>$C_L = 30\text{ pF}, V_{IH} = 2.5V, V_{IL} = 0V$ | 3.3<br>2.5      | -0.8<br>-0.6             | V     |

## Capacitance

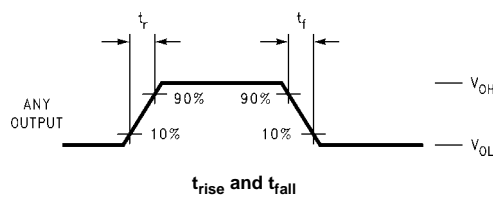
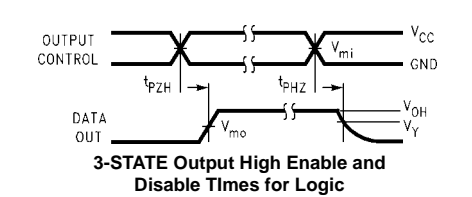
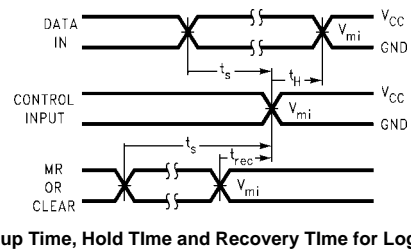
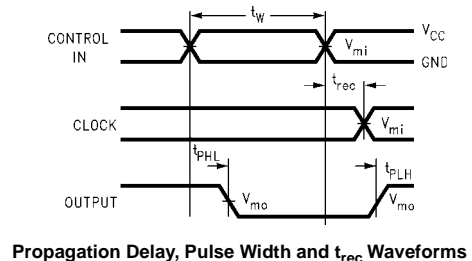
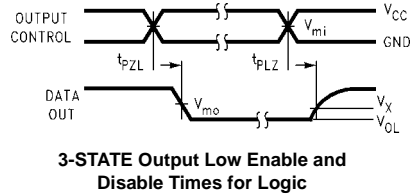
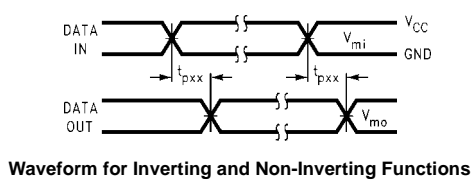
| Symbol    | Parameter                     | Conditions  | Typical | Units |
|-----------|-------------------------------|---|---------|-------|
| $C_{IN}$  | Input Capacitance             | $V_{CC} = \text{Open}, V_I = 0V \text{ or } V_{CC}$             | 7       | pF    |
| $C_{OUT}$ | Output Capacitance            | $V_{CC} = 3.3V, V_I = 0V \text{ or } V_{CC}$                    | 8       | pF    |
| $C_{PD}$  | Power Dissipation Capacitance | $V_{CC} = 3.3V, V_I = 0V \text{ or } V_{CC}, f = 10\text{ MHz}$ | 25      | pF    |

**AC Loading and Waveforms** Generic for LCX Family



**FIGURE 1. AC Test Circuit**  
( $C_L$  includes probe and jig capacitance)

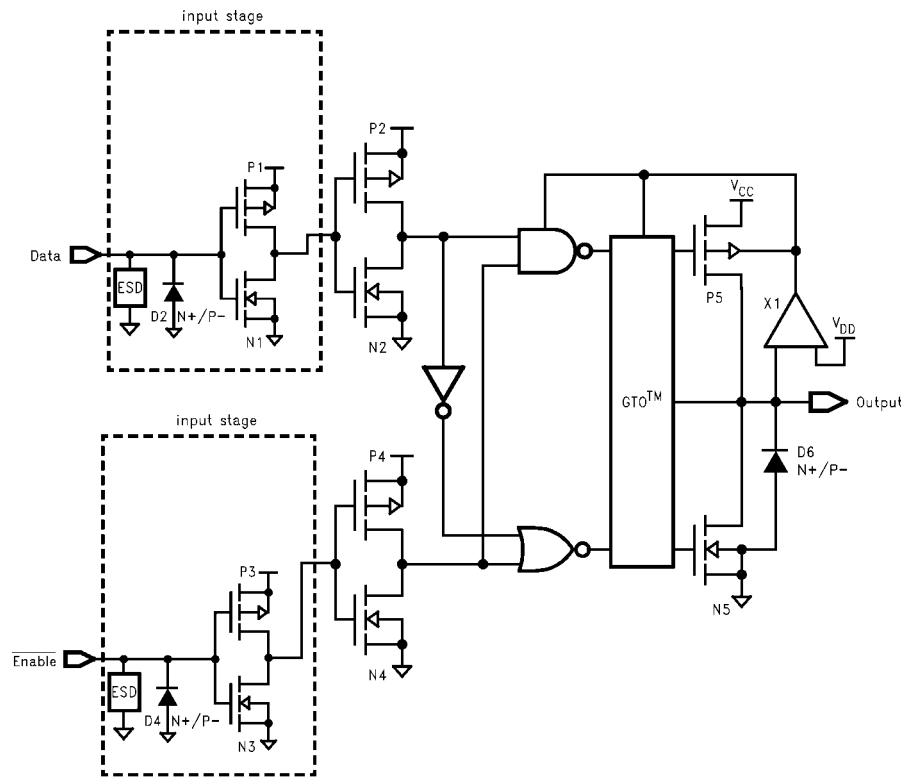
| Test               | Switch  |
|--------------------|---|
| $t_{PLH}, t_{PHL}$ | Open  |
| $t_{PZL}, t_{PLZ}$ | 6V at $V_{CC} = 3.3 \pm 0.3V$<br>$V_{CC} \times 2$ at $V_{CC} = 2.5 \pm 0.2V$ |
| $t_{PZH}, t_{PHZ}$ | GND   |



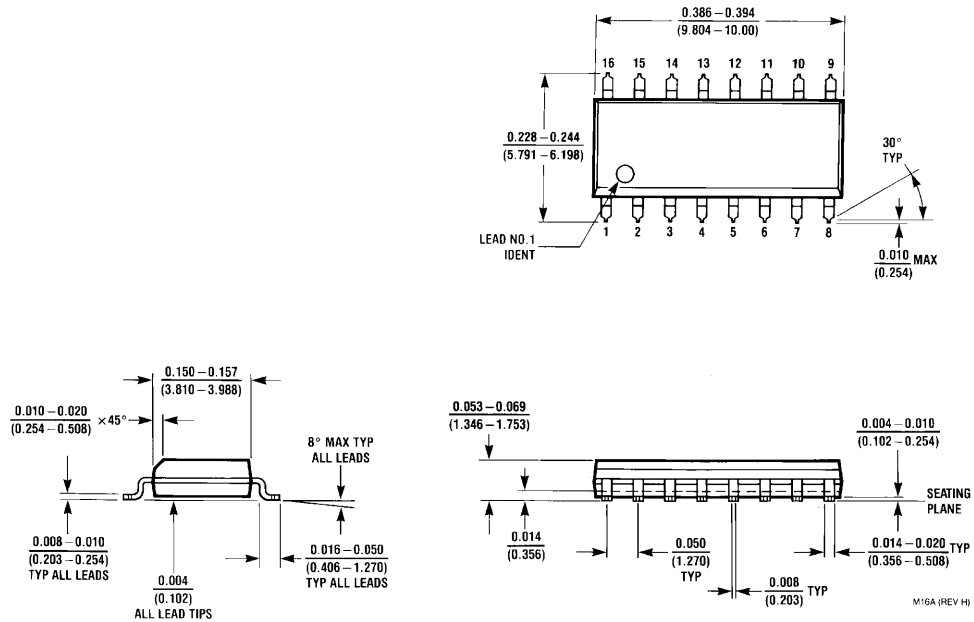
**FIGURE 2. Waveforms**  
(Input Pulse Characteristics;  $f=1MHz, t_r=t_f=3ns$ )

| Symbol   | $V_{CC}$        |                 |                  |
|----------|-----------------|-----------------|------------------|
|          | $3.3V \pm 0.3V$ | $2.7V$          | $2.5V \pm 0.2V$  |
| $V_{mi}$ | 1.5V            | 1.5V            | $V_{CC}/2$       |
| $V_{mo}$ | 1.5V            | 1.5V            | $V_{CC}/2$       |
| $V_X$    | $V_{OL} + 0.3V$ | $V_{OL} + 0.3V$ | $V_{OL} + 0.15V$ |
| $V_Y$    | $V_{OH} - 0.3V$ | $V_{OH} - 0.3V$ | $V_{OH} - 0.15V$ |

**Schematic Diagram** Generic for LCX Family



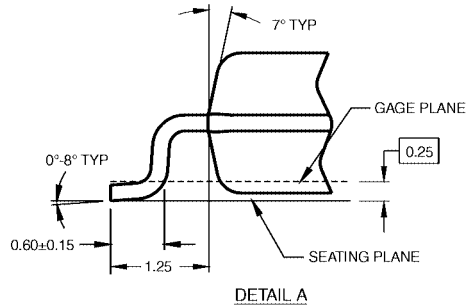
**Physical Dimensions** inches (millimeters) unless otherwise noted



**16-Lead Small Outline Integrated Circuit (SOIC), JEDEC MS-012, 0.150 Narrow Package Number M16A**



**Physical Dimensions** inches (millimeters) unless otherwise noted (Continued)

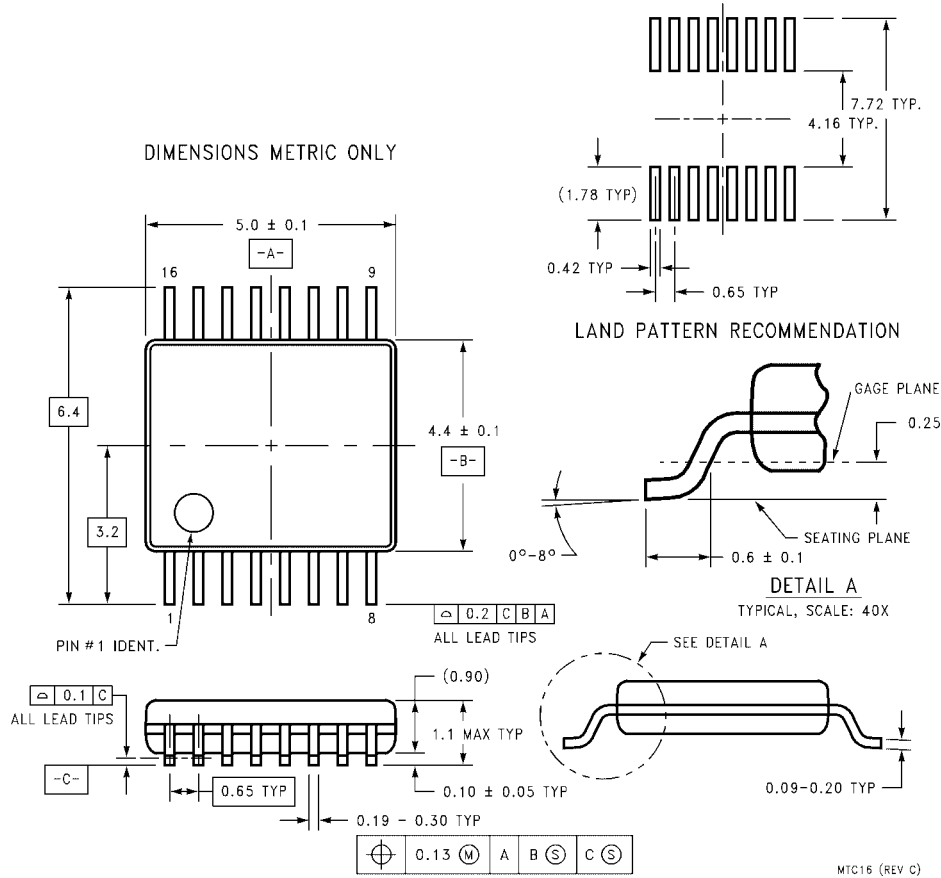


- NOTES:
- A. CONFORMS TO EIAJ EDR-7320 REGISTRATION, ESTABLISHED IN DECEMBER, 1998.
  - B. DIMENSIONS ARE IN MILLIMETERS.
  - C. DIMENSIONS ARE EXCLUSIVE OF BURRS, MOLD FLASH, AND TIE BAR EXTRUSIONS.

M16DRevB1

**16-Lead Small Outline Package (SOP), EIAJ TYPE II, 5.3mm Wide Package Number M16D**

**Physical Dimensions** inches (millimeters) unless otherwise noted (Continued)



**16-Lead Thin Shrink Small Outline Package (TSSOP), JEDEC MO-153, 4.4mm Wide  
Package Number MTC16**

Fairchild does not assume any responsibility for use of any circuitry described, no circuit patent licenses are implied and Fairchild reserves the right at any time without notice to change said circuitry and specifications.

**LIFE SUPPORT POLICY**

FAIRCHILD'S PRODUCTS ARE NOT AUTHORIZED FOR USE AS CRITICAL COMPONENTS IN LIFE SUPPORT DEVICES OR SYSTEMS WITHOUT THE EXPRESS WRITTEN APPROVAL OF THE PRESIDENT OF FAIRCHILD SEMICONDUCTOR CORPORATION. As used herein:

1. Life support devices or systems are devices or systems which, (a) are intended for surgical implant into the body, or (b) support or sustain life, and (c) whose failure to perform when properly used in accordance with instructions for use provided in the labeling, can be reasonably expected to result in a significant injury to the user.
2. A critical component in any component of a life support device or system whose failure to perform can be reasonably expected to cause the failure of the life support device or system, or to affect its safety or effectiveness.

[www.fairchildsemi.com](http://www.fairchildsemi.com)

ON Semiconductor and  are trademarks of Semiconductor Components Industries, LLC dba ON Semiconductor or its subsidiaries in the United States and/or other countries. ON Semiconductor owns the rights to a number of patents, trademarks, copyrights, trade secrets, and other intellectual property. A listing of ON Semiconductor's product/patent coverage may be accessed at [www.onsemi.com/site/pdf/Patent-Marking.pdf](http://www.onsemi.com/site/pdf/Patent-Marking.pdf). ON Semiconductor reserves the right to make changes without further notice to any products herein. ON Semiconductor makes no warranty, representation or guarantee regarding the suitability of its products for any particular purpose, nor does ON Semiconductor assume any liability arising out of the application or use of any product or circuit, and specifically disclaims any and all liability, including without limitation special, consequential or incidental damages. Buyer is responsible for its products and applications using ON Semiconductor products, including compliance with all laws, regulations and safety requirements or standards, regardless of any support or applications information provided by ON Semiconductor. "Typical" parameters which may be provided in ON Semiconductor data sheets and/or specifications can and do vary in different applications and actual performance may vary over time. All operating parameters, including "Typicals" must be validated for each customer application by customer's technical experts. ON Semiconductor does not convey any license under its patent rights nor the rights of others. ON Semiconductor products are not designed, intended, or authorized for use as a critical component in life support systems or any FDA Class 3 medical devices or medical devices with a same or similar classification in a foreign jurisdiction or any devices intended for implantation in the human body. Should Buyer purchase or use ON Semiconductor products for any such unintended or unauthorized application, Buyer shall indemnify and hold ON Semiconductor and its officers, employees, subsidiaries, affiliates, and distributors harmless against all claims, costs, damages, and expenses, and reasonable attorney fees arising out of, directly or indirectly, any claim of personal injury or death associated with such unintended or unauthorized use, even if such claim alleges that ON Semiconductor was negligent regarding the design or manufacture of the part. ON Semiconductor is an Equal Opportunity/Affirmative Action Employer. This literature is subject to all applicable copyright laws and is not for resale in any manner.

## PUBLICATION ORDERING INFORMATION

### LITERATURE FULFILLMENT:

Literature Distribution Center for ON Semiconductor  
19521 E. 32nd Pkwy, Aurora, Colorado 80011 USA  
**Phone:** 303-675-2175 or 800-344-3860 Toll Free USA/Canada  
**Fax:** 303-675-2176 or 800-344-3867 Toll Free USA/Canada  
**Email:** [orderlit@onsemi.com](mailto:orderlit@onsemi.com)

**N. American Technical Support:** 800-282-9855 Toll Free  
USA/Canada  
**Europe, Middle East and Africa Technical Support:**  
Phone: 421 33 790 2910  
**Japan Customer Focus Center**  
Phone: 81-3-5817-1050

**ON Semiconductor Website:** [www.onsemi.com](http://www.onsemi.com)  
**Order Literature:** <http://www.onsemi.com/orderlit>  
For additional information, please contact your local  
Sales Representative

# Mouser Electronics

Authorized Distributor

Click to View Pricing, Inventory, Delivery & Lifecycle Information:

[ON Semiconductor:](#)

[74LCX112MTC](#) [74LCX112MTCX](#) [74LCX112SJ](#) [74LCX112MX](#) [74LCX112M](#)

Компания «Океан Электроники» предлагает заключение долгосрочных отношений при поставках импортных электронных компонентов на взаимовыгодных условиях!

Наши преимущества:

- Поставка оригинальных импортных электронных компонентов напрямую с производств Америки, Европы и Азии, а так же с крупнейших складов мира;
- Широкая линейка поставок активных и пассивных импортных электронных компонентов (более 30 млн. наименований);
- Поставка сложных, дефицитных, либо снятых с производства позиций;
- Оперативные сроки поставки под заказ (от 5 рабочих дней);
- Экспресс доставка в любую точку России;
- Помощь Конструкторского Отдела и консультации квалифицированных инженеров;
- Техническая поддержка проекта, помощь в подборе аналогов, поставка прототипов;
- Поставка электронных компонентов под контролем ВП;
- Система менеджмента качества сертифицирована по Международному стандарту ISO 9001;
- При необходимости вся продукция военного и аэрокосмического назначения проходит испытания и сертификацию в лаборатории (по согласованию с заказчиком);
- Поставка специализированных компонентов военного и аэрокосмического уровня качества (Xilinx, Altera, Analog Devices, Intersil, Interpoint, Microsemi, Actel, Aeroflex, Peregrine, VPT, Syfer, Eurofarad, Texas Instruments, MS Kennedy, Miteq, Cobham, E2V, MA-COM, Hittite, Mini-Circuits, General Dynamics и др.);

Компания «Океан Электроники» является официальным дистрибьютором и эксклюзивным представителем в России одного из крупнейших производителей разъемов военного и аэрокосмического назначения «JONHON», а так же официальным дистрибьютором и эксклюзивным представителем в России производителя высокотехнологичных и надежных решений для передачи СВЧ сигналов «FORSTAR».



## JONHON

«JONHON» (основан в 1970 г.)

Разъемы специального, военного и аэрокосмического назначения:

(Применяются в военной, авиационной, аэрокосмической, морской, железнодорожной, горно- и нефтедобывающей отраслях промышленности)

«FORSTAR» (основан в 1998 г.)

ВЧ соединители, коаксиальные кабели, кабельные сборки и микроволновые компоненты:

(Применяются в телекоммуникациях гражданского и специального назначения, в средствах связи, РЛС, а так же военной, авиационной и аэрокосмической отраслях промышленности).



Телефон: 8 (812) 309-75-97 (многоканальный)

Факс: 8 (812) 320-03-32

Электронная почта: [ocean@oceanchips.ru](mailto:ocean@oceanchips.ru)

Web: <http://oceanchips.ru/>

Адрес: 198099, г. Санкт-Петербург, ул. Калинина, д. 2, корп. 4, лит. А