

# TLE7259-2GE

LIN Transceiver

## Data Sheet

Rev. 1.5, 2013-07-26

Automotive Power

## Table of Contents

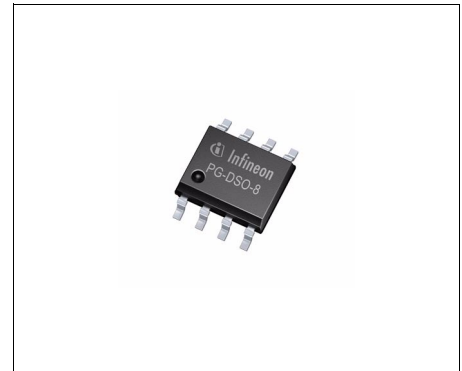
<b>1</b>	<b>Overview</b> .....	<b>3</b>
<b>2</b>	<b>Block Diagram</b> .....	<b>4</b>
<b>3</b>	<b>Pin Configuration</b> .....	<b>5</b>
3.1	Pin Assignment .....	5
3.2	Pin Definitions and Functions .....	5
<b>4</b>	<b>Functional Description</b> .....	<b>6</b>
4.1	Operating Modes .....	7
4.2	Normal Operation Mode .....	8
4.2.1	Normal Slope Mode .....	9
4.2.2	Flash Mode .....	9
4.3	Stand-By Mode .....	10
4.4	Sleep Mode .....	11
4.5	Wake-Up Events .....	11
4.6	Bus Wake-Up via LIN bus .....	11
4.7	Local Wake-Up .....	12
4.8	Mode Transition via EN pin .....	13
4.9	TxD Time Out function .....	14
4.10	Over Temperature protection .....	14
4.11	3.3 V and 5 V Logic Capability .....	14
4.12	LIN Specifications 1.2, 1.3, 2.0, 2.1, 2.2, and 2.2A .....	15
<b>5</b>	<b>General Product Characteristics</b> .....	<b>16</b>
5.1	Absolute Maximum Ratings .....	16
5.2	Functional Range .....	17
5.3	Thermal Characteristics .....	17
<b>6</b>	<b>Electrical Characteristics</b> .....	<b>18</b>
6.1	Functional Device Characteristics .....	18
6.2	Diagrams .....	22
<b>7</b>	<b>Application Information</b> .....	<b>24</b>
7.1	ESD Robustness according to IEC61000-4-2 .....	24
7.2	Pin Compatibility to other LIN Transceivers .....	24
7.3	Master Termination .....	25
7.4	External Capacitors .....	25
7.5	Application Example .....	26
<b>8</b>	<b>Package Outlines</b> .....	<b>28</b>
<b>9</b>	<b>Revision History</b> .....	<b>29</b>



## 1 Overview

### Features

- Single-wire transceiver, pin compatible to the TLE7259-2GU
- Transmission rate up to 20 kBaud
- Compliant to LIN specification 1.3, 2.0, 2.1, 2.2 and 2.2A
- Very high ESD robustness, +/- 11 kV according to IEC61000-4-2
- Optimized for low electromagnetic emission (EME)
- Optimized for high immunity against electromagnetic interference (EMI)
- Very low current consumption in sleep mode with Wake-Up functions
- Wake-Up source detection
- Very low leakage current on the BUS output
- Digital I/O levels compatible for 3.3 V and 5 V microcontrollers
- Suitable for 12 V and 24 V board net
- Bus short to  $V_{BAT}$  protection and Bus short to GND handling
- Over temperature protection and Under voltage detection
- Flash mode
- Green Product (RoHS compliant)
- AEC Qualified



**PG-DSO-8**

### Description

The TLE7259-2GE is a transceiver for the Local Interconnect Network (LIN) with integrated Wake-Up and protection features. It is designed for in-vehicle networks using data transmission rates from 2.4 kBaud to 20 kBaud. The TLE7259-2GE functions as a bus driver between the protocol controller and the physical bus inside the LIN network. Compliant to all LIN standards and with a wide operational supply range the TLE7259-2GE can be used in all automotive applications.

Different operation modes and the INH output allow the TLE7259-2GE to control external components, like voltage regulators. In Sleep-mode the TLE7259-2GE draws less than 8  $\mu$ A of quiescent current while still being able to wake up off of LIN bus traffic and a local Wake-Up input. The very low leakage current on the BUS pin makes the TLE7259-2GE especially suitable for partially supplied networks and supports the low quiescent current requirements of the LIN network.

Based on the Infineon Smart Power Technology SPT<sup>®</sup>, the TLE7259-2GE provides excellent ESD Robustness together with a very high electromagnetic immunity (EMI). The TLE7259-2GE reaches a very low level of electromagnetic emission (EME) within a broad frequency range and independent from the battery voltage.

The Infineon Smart Power Technology SPT<sup>®</sup> allows bipolar and CMOS control circuitry in accordance with DMOS power devices existing on the same monolithic circuit. The TLE7259-2GE and the Infineon SPT<sup>®</sup> technology are AEC qualified and tailored to withstand the harsh condition of the Automotive Environment.

Type	Package	Marking
TLE7259-2GE	PG-DSO-8	7259-2GE

## 2 Block Diagram

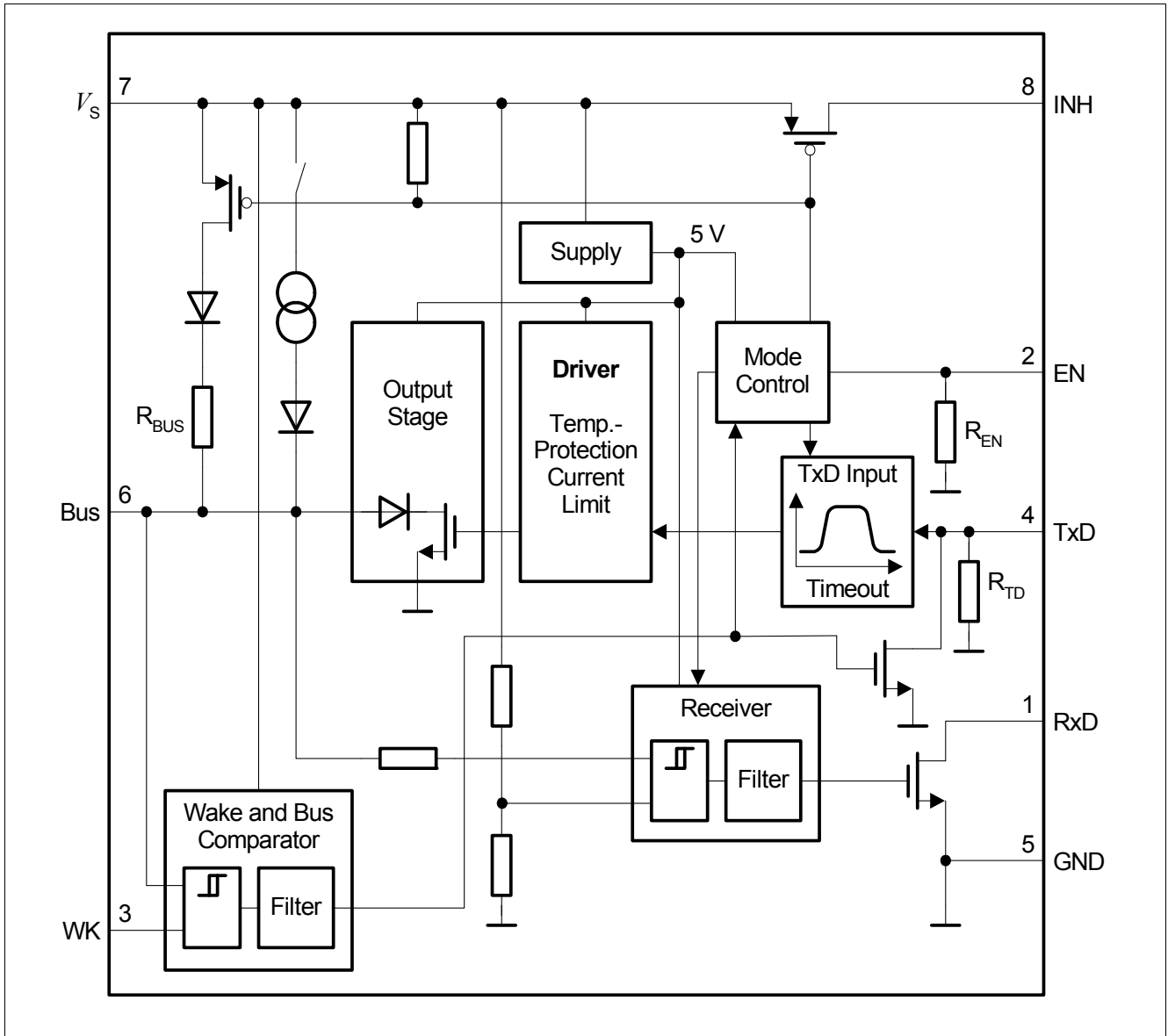
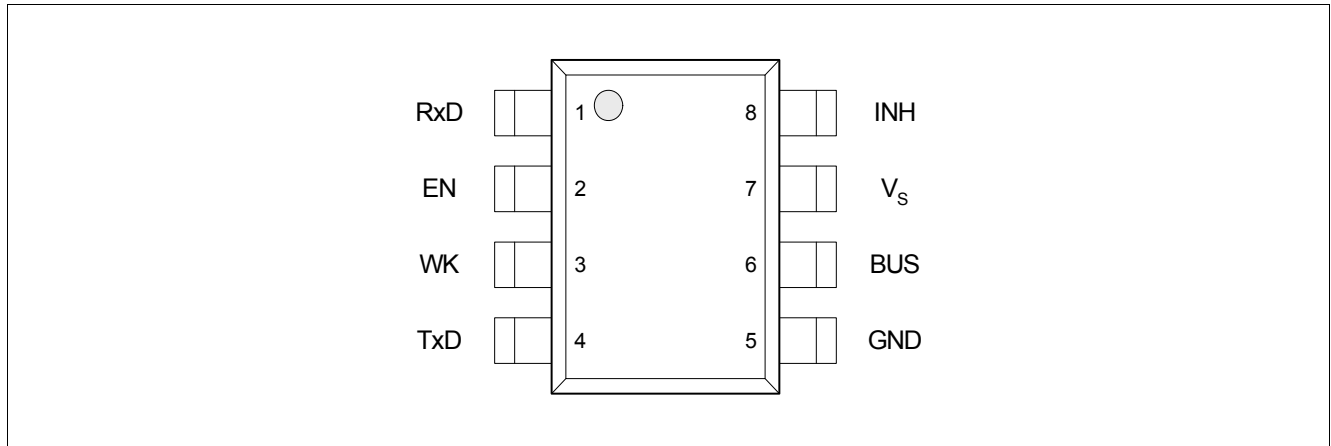


Figure 1 Block Diagram

### 3 Pin Configuration

#### 3.1 Pin Assignment



**Figure 2 Pin Configuration**

Note: The pin configuration of the TLE7259-2GE is pin compatible to the devices TLE7259G, TLE7259-2GU and the Twin LIN Transceiver TLE7269G. In comparison to the TLE7269G, the TLE 7259-2GE has no separate  $V_{IO}$  power supply and needs a pull up resistor at the RxD pin. Details can be found in the chapter [“Pin Compatibility to other LIN Transceivers” on Page 24](#).

#### 3.2 Pin Definitions and Functions

Pin	Symbol	Function
1	RxD	<b>Receive data output;</b> External Pull Up necessary LOW in dominant state, active LOW after a Wake-Up event at BUS or WK pin
2	EN	<b>Enable input;</b> integrated pull-down, device set to normal operation mode when HIGH
3	WK	<b>Wake input;</b> active LOW, negative edge triggered, internal pull-up
4	TxD	<b>Transmit data input;</b> integrated pull-down, LOW in dominant state; active LOW after Wake-Up via WK pin
5	GND	<b>Ground</b>
6	BUS	<b>Bus input / output;</b> LIN bus line input / output LOW in dominant state Internal termination and pull-up current source
7	$V_S$	<b>Battery supply input</b>
8	INH	<b>Inhibit output;</b> battery supply related output HIGH ( $V_S$ ) in Normal and Stand-By operation mode can be used to control an external voltage regulator can be used to control external bus termination resistor when the device will be used as Master node

## 4 Functional Description

The LIN Bus is a single wire, bi-directional bus, used for in-vehicle networks. The LIN Transceiver TLE7259-2GE is the interface between the microcontroller and the physical LIN Bus (see [Figure 15](#) and [Figure 16](#)). The logical values of the microcontroller are driven to the LIN bus via the TxD input of the TLE7259-2GE. The transmit data stream on the TxD input is converted to a LIN bus signal with optimized slew rate to minimize the EME level of the LIN network. The RxD output reads back the information from the LIN bus to the microcontroller. The receiver has an integrated filter network to suppress noise on the LIN Bus and to increase the EMI (Electro Magnetic Immunity) level of the transceiver.

Two logical states are possible on the LIN bus according to the LIN Specification 2.2A (see [Figure 3](#)):

In dominant state, the voltage on the LIN bus is set to the GND level. In recessive state, the voltage on the LIN bus is set to the supply voltage  $V_S$ . By setting the TxD input of the TLE7259-2GE to “Low” the transceiver generates a dominant level on the BUS interface pin. The RxD output reads back the signal on the LIN bus and indicates a dominant LIN bus signal with a logical “Low” to the microcontroller. Setting the TxD pin to “High” the transceiver TLE7259-2GE sets the LIN interface pin BUS to the recessive level, at the same time the recessive level on the LIN bus is indicated by a logical “High” on the RxD output.

Every LIN network consists of a master node and one or more slave nodes. To configure the TLE7259-2GE for master node applications, a resistor in the range of 1 k $\Omega$  and a reverse diode must be connected between the LIN bus and the power supply  $V_S$  or the INH pin of the TLE7259-2GE (see [Figure 15](#) and [Figure 16](#)).

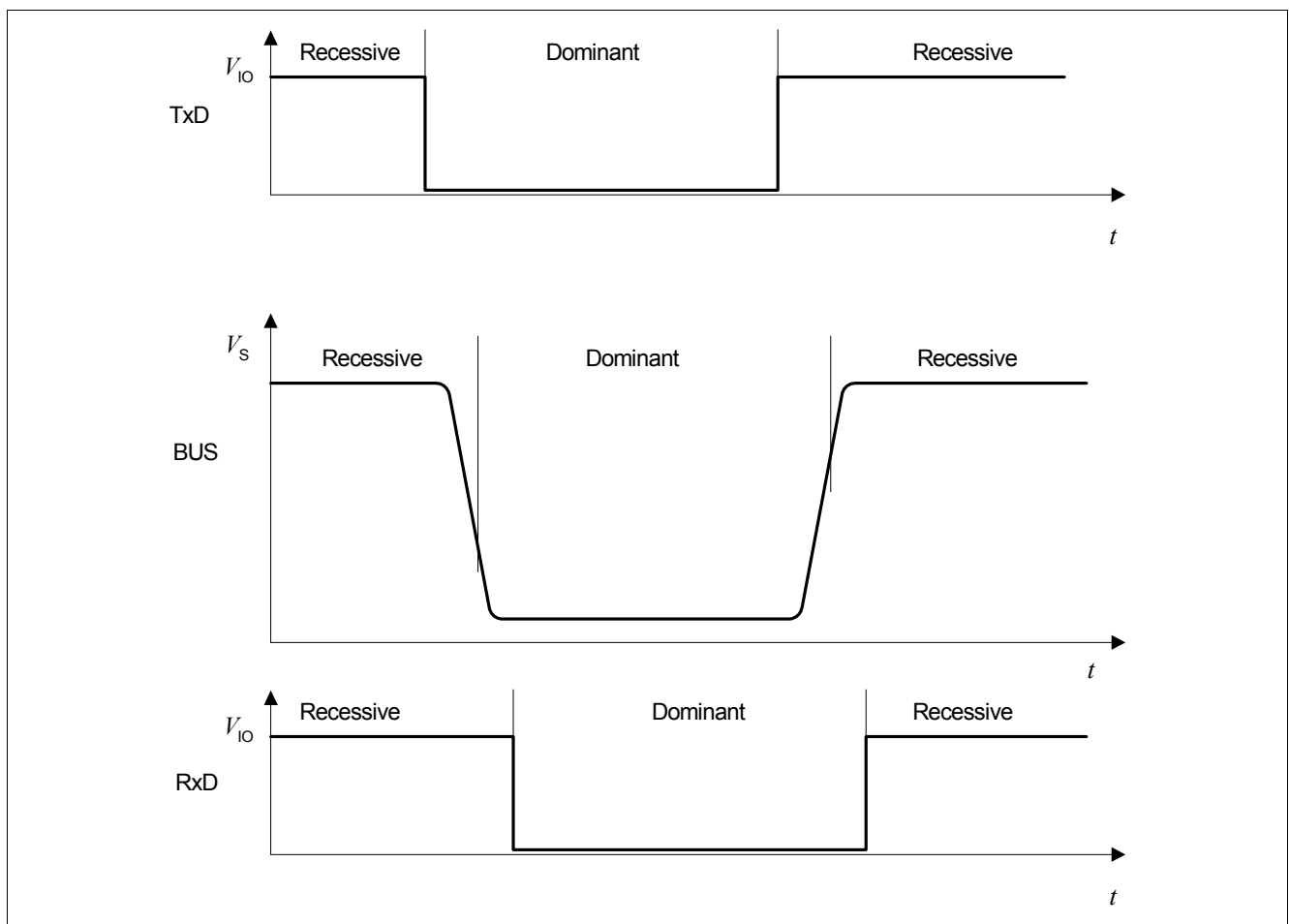


Figure 3 LIN bus signals

### 4.1 Operating Modes

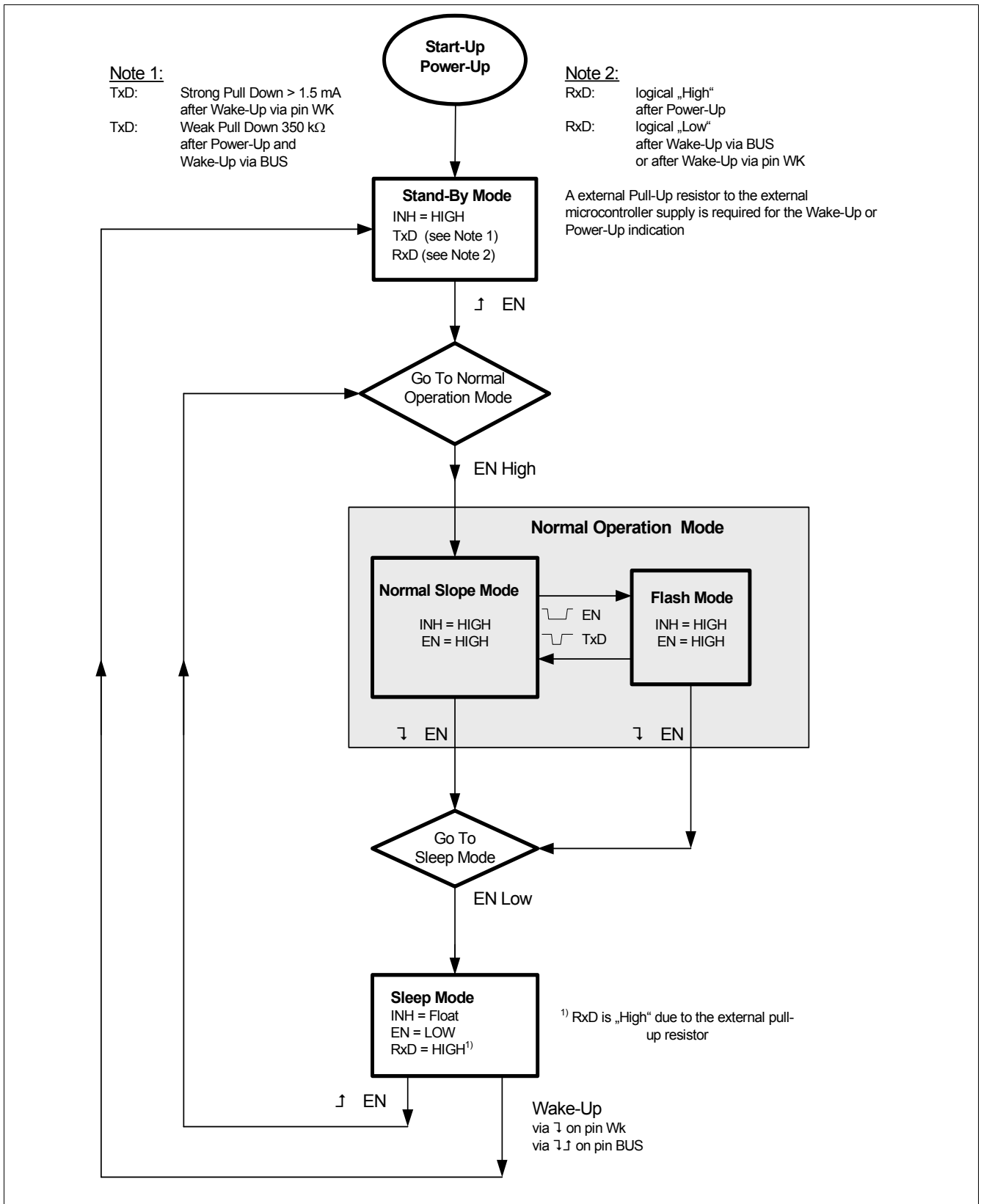


Figure 4 Operation Mode State Diagram

The TLE7259-2GE has 3 major operation modes:

- Stand-By mode
- Normal Operation mode
- Sleep mode

The Normal Operation mode contains 2 sub-operation modes, which differentiate by the slew rate control of the LIN Bus signal (see [Figure 4](#)).

Sub-operation modes with different slew rates on the BUS pin:

- Normal Slope mode, for data transmission rates up to 20 kBaud
- Flash mode, for programming of the external microcontroller

The operation mode of the TLE7259-2GE is selected by the EN pin. (see [Figure 4](#)).

**Table 1 Operating modes**

Mode	EN	INH	TxD	RxD	LIN Bus Termination	Comments
Sleep	Low	Floating	Low	High <sup>1)</sup>	High Impedance	No wake-up request detected
Stand-By	Low	High	Low High <sup>2)</sup>	Low High <sup>1)</sup>	30 kΩ (typical)	RxD "Low" after local Wake-Up (pin WK) or bus Wake-Up (pin BUS) RxD "High" after Power-Up TxD strong pull down after local Wake-Up (WK pin) <sup>2)</sup> TxD weak pull down after bus Wake-Up (pin BUS) or Power-Up <sup>2)</sup>
Normal Operation	High	High	Low High	Low High	30 kΩ (typical)	RxD reflects the signal on the BUS TxD driven by the microcontroller

1) A pull-up resistor to the external microcontroller supply is required.

2) The TxD input needs an external termination to indicate a "High" or a "Low" signal. The external termination could be a pull-up resistor or an active microcontroller output.

## 4.2 Normal Operation Mode

The TLE7259-2GE enters the Normal Operation mode after the microcontroller sets EN to "High" (see [Figure 4](#)). In Normal Operation mode the LIN bus receiver and the LIN bus transmitter are active. Data from the microcontroller is transmitted to the LIN bus via the TxD pin, the receiver detects the data stream on the LIN bus and forwards it to the RxD output pin. In Normal Operation mode, the INH pin is "High" (set to  $V_S$ ) and the bus termination is set to 30 kΩ.

Normal Slope mode and the Flash mode are Normal Operation modes and in these sub-modes the behavior of the INH pin and the bus termination is the same. Per default the TLE7259-2GE always enters into Normal Slope mode, either from Sleep mode or from Stand-By mode. The Flash mode can only be entered from Normal Slope mode.

In order to avoid any bus disturbance during a mode change, the output stage of the TLE7259-2GE is disabled and set to recessive state during the mode change procedure. To release the TLE7259-2GE for data communication on the LIN bus, the TxD pin needs to be set to "High" for the time  $t_{to,rec}$ .



### 4.2.1 Normal Slope Mode

In Normal Slope mode data transmission rates up to 20 kBauds are possible. Setting the EN pin to “High” starts the transition to Normal Slope mode. (see [Figure 5](#)).

The mode change to Normal Slope mode is defined by the time  $t_{MODE}$ . The time  $t_{MODE}$  specifies the delay time between the threshold, where the EN pin detects a “High” input signal, and the actual mode change of TLE7259-2GE into Normal Slope mode. Entering in Normal Operation mode, the TLE7259-2GE always enters per default into Normal Slope mode. The signal on the TxD pin is not relevant for entering into Normal Slope mode.

Finally to release the data communication it is required to set the TxD pin to “High” for the time  $t_{to,rec}$ .

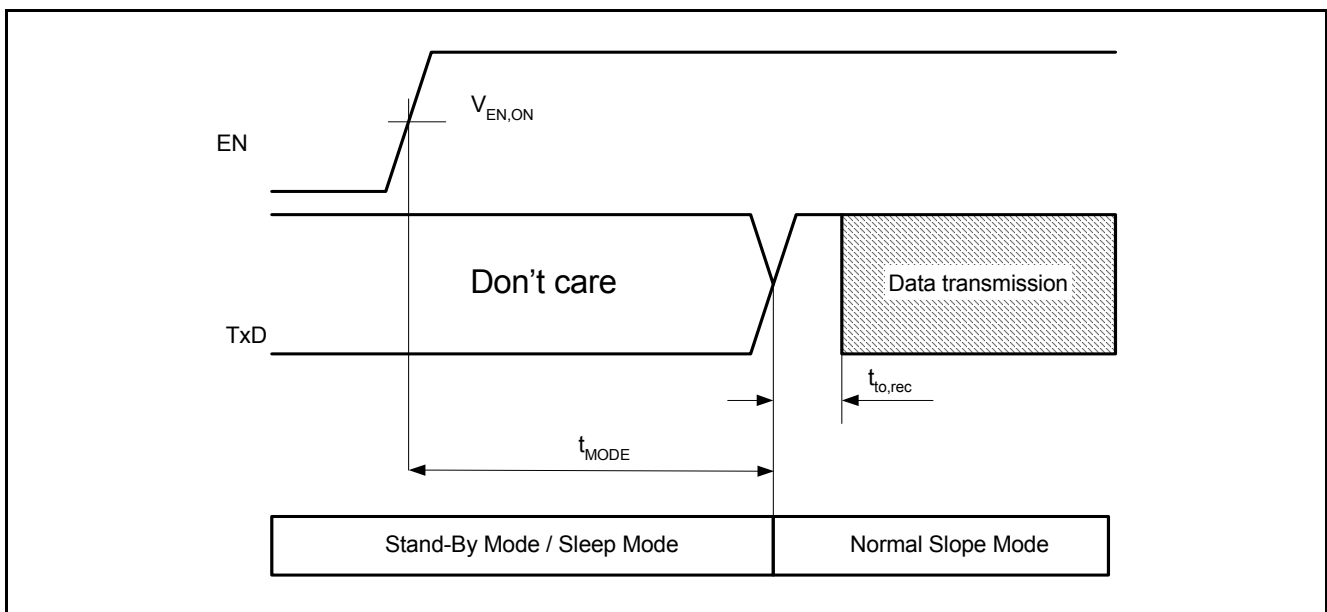


Figure 5 Timing to enter Normal Slope Mode

### 4.2.2 Flash Mode

In Flash mode it is possible to transmit and receive LIN messages on the LIN bus. The slew rate control mechanism of the LIN bus signal is disabled. This allows higher data transmission rates, disregarding the EMC limitations of the LIN network. The Flash mode is intended to be used during the ECU production for programming the microcontroller via the LIN bus interface.

The TLE7259-2GE can be set to Flash mode only from Normal Slope mode (see [Figure 4](#)). Flash mode is entered by setting the EN pin to “Low” for the time  $t_{fl1}$  and generating a falling and a rising edge at the TxD pin with the timing  $t_{fl2}$ ,  $t_{fl3}$  and  $t_{fl4}$  (see [Figure 6](#)). Leaving the Flash mode by the same sequence, sets the TLE7259-2GE back to Normal Slope mode. Finally to release the data transmission it is required to set the TxD pin to “High” for the time  $t_{to,rec}$ .

Additionally the TLE7259-2GE can leave the Flash mode as well by switching only the EN pin to “Low”. By applying this “Low” signal to the EN pin the TLE7259-2GE is put into Sleep mode.

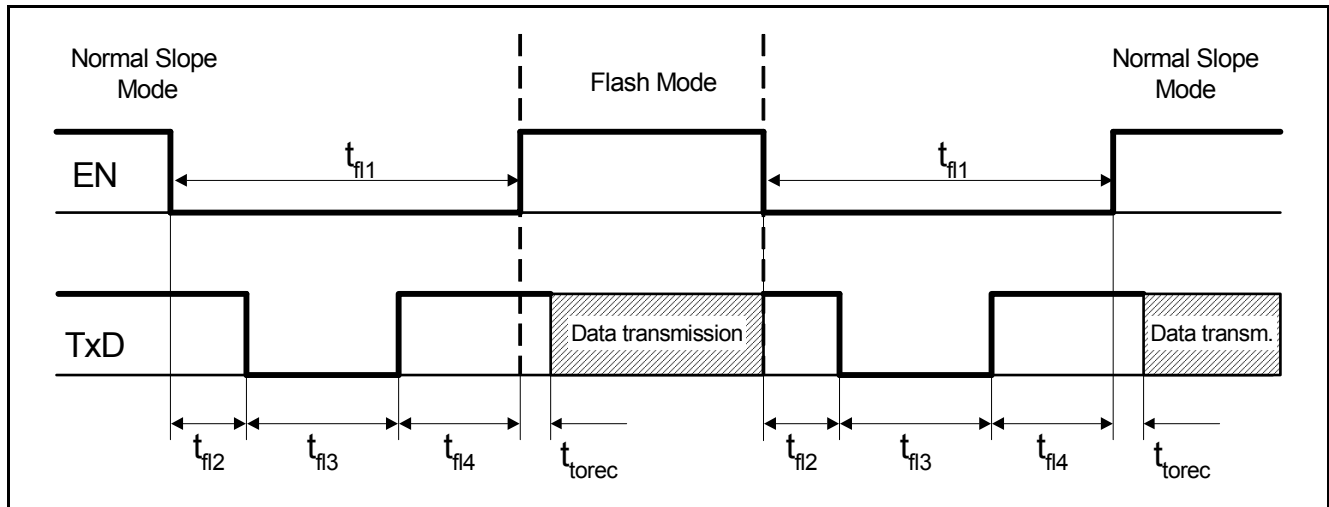


Figure 6 Timing to enter and leave Flash Mode

### 4.3 Stand-By Mode

The Stand-By mode is entered automatically after:

- A Power-Up event at the supply  $V_S$ .
- A bus Wake-Up event at the pin BUS.
- A local Wake-Up event at the pin WK.
- A power on reset caused by power supply  $V_S$ .
- In Stand-By mode the Wake-Up sources are monitored by the TxD and RxD pins.

In Stand-By mode no communication on the LIN Bus is possible. The output stage is disabled and the LIN Bus termination remains activated. The RxD and the TxD pin are used to indicate the Wake-Up source or a Power-Up event. The RxD pin remains “Low” after a local Wake-Up event on the pin WK and a bus Wake-Up event on the LIN bus. A Power-Up event is indicated by a logical “High” on the RxD pin. The signal on the TxD pin indicates the Wake-Up source, a weak pull-down signals a bus Wake-Up event on the LIN bus and a strong pull-down signals a local Wake-Up event caused by the WK pin (see [Table 1](#) and [Table 2](#)). In order to detect a Wake-Up event via the TxD pin, the external microcontroller output needs to provide a logical “High” signal. The Wake-Up flags indicating the Wake-Up source on the pins TxD and RxD are reset by changing the operation mode to Normal Operation mode.

The signal on the EN pin remains “Low” due to an internal pull-down resistor. Setting the EN pin to “High”, by the microcontroller returns the TLE7259-2GE to Normal Operation mode. In Stand-By mode the INH output is switching to  $V_S$ . The INH output can be used to control external devices like a voltage regulator.

Table 2 Logic table for wake up monitoring

Power up	WK	BUS	RxD <sup>1)</sup>	TxD <sup>2)</sup>	Remarks
Yes	1	1	1	1	No Wake-Up, Power-Up event
No	Wake-Up <sup>3)</sup>	1	0	0	Wake via wake pin
No	1	Wake-Up <sup>4)</sup>	0	1	Wake via BUS

- 1) To indicate the Wake-Up sources via the RxD pin, a pull-up resistor to the external microcontroller supply is required.
- 2) The TxD input needs an external termination to indicate a “High” or a “Low” signal. The external termination could be a pull-up resistor or an active microcontroller output.
- 3) A local Wake-Up event is considered after a low signal on the pin WK (see [Chapter 4.7](#)).
- 4) A bus Wake-Up event is considered after a low to high transition on the LIN bus (see [Chapter 4.6](#))

#### 4.4 Sleep Mode

In order to reduce the current consumption the TLE7259-2GE offers a Sleep mode. In Sleep mode the quiescent current on  $V_S$  and the leakage current on the pin BUS are cut back to a minimum.

To switch the TLE7259-2GE from Normal Operation mode to Sleep mode, the EN pin has to be set to “Low”. Conversely a logical “High” on the EN pin sets the device directly back to Normal Operation mode (see [Figure 4](#)).

While the TLE7259-2GE is in Sleep mode the following functions are available:

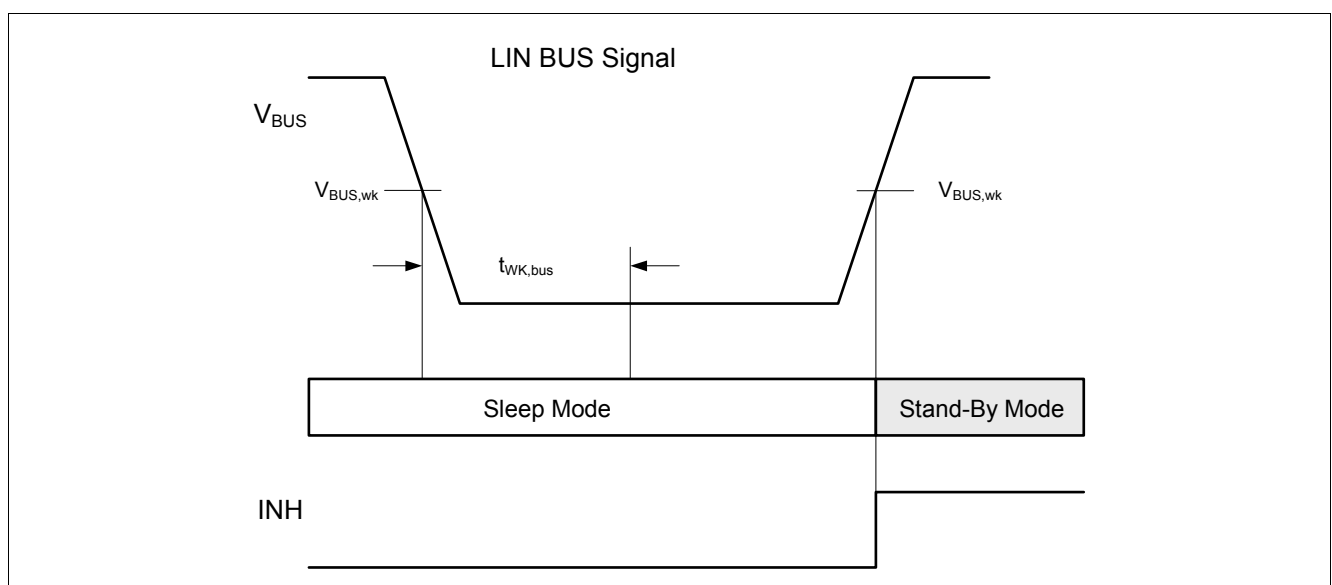
- The output stage is disabled and the internal bus terminations are switched off (High Impedance on the pin BUS). The internal current source on the bus pin ensures that the level on the pin BUS remains recessive and protects the LIN network against accidental bus Wake-Up events.
- The receiver stage is turned off.
- RxD output pin is “High” if a pull-up resistor is connected to the external microcontroller supply. The TxD pin is disabled. The logical state on the TxD pin is “Low”, due to the internal pull-down resistor.
- The INH output is switched off and floating.
- The bus Wake-Up comparator is active and turns the TLE7259-2GE to Stand-By mode in case of a bus Wake-Up event.
- The WK pin is active and turns the TLE7259-2GE to Stand-By mode in case of a local Wake-Up.
- The EN pin remains active, switching the EN pin to “High” changes the operation mode to Normal Slope mode.

#### 4.5 Wake-Up Events

A Wake-Up event changes the operation mode of the TLE7259-2GE from Sleep mode to Stand-By mode. There are 3 different ways to wake-up the TLE7259-2GE from Sleep mode.

- Bus Wake-Up via a minimum dominant signal ( $t_{WK,bus}$ ) on the pin BUS.
- Local Wake-Up via a minimum dominant time ( $t_{WK}$ ) on the WK pin.
- Mode change from Sleep mode to Normal Operation mode, by setting the EN pin to logical “High”.

#### 4.6 Bus Wake-Up via LIN bus



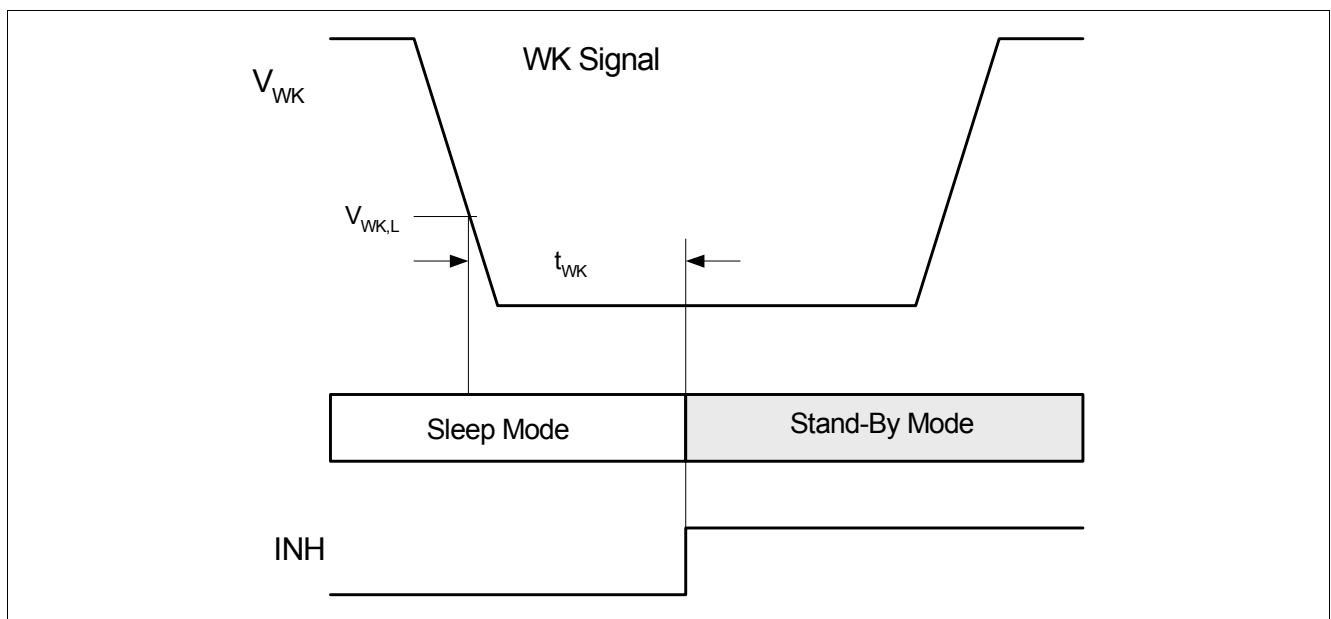
**Figure 7 Bus Wake-Up behavior**

The bus Wake-Up event, often called remote Wake-Up, changes the operation mode from Sleep mode to Stand-By mode. A falling edge on the LIN bus, followed by a dominant bus signal  $t > t_{WK,bus}$  results in a bus Wake-Up event. The mode change to Stand-By mode becomes active with the following rising edge on the LIN bus. The

TLE7259-2GE remains in Sleep mode until it detects a change from dominant to recessive on the LIN bus (see [Figure 7](#)).

In Stand-By mode the TxD pin indicates the source of the Wake-Up event. A weak pull-down on the pin TxD indicates a bus Wake-Up event (see [Figure 4](#)). The RxD pin signals if a Wake-Up event occurred or the power-up event. A “Low” signal on the RxD pin reports a local or bus Wake-Up event, a logical “High” signal on RxD indicates a power-up event.

#### 4.7 Local Wake-Up

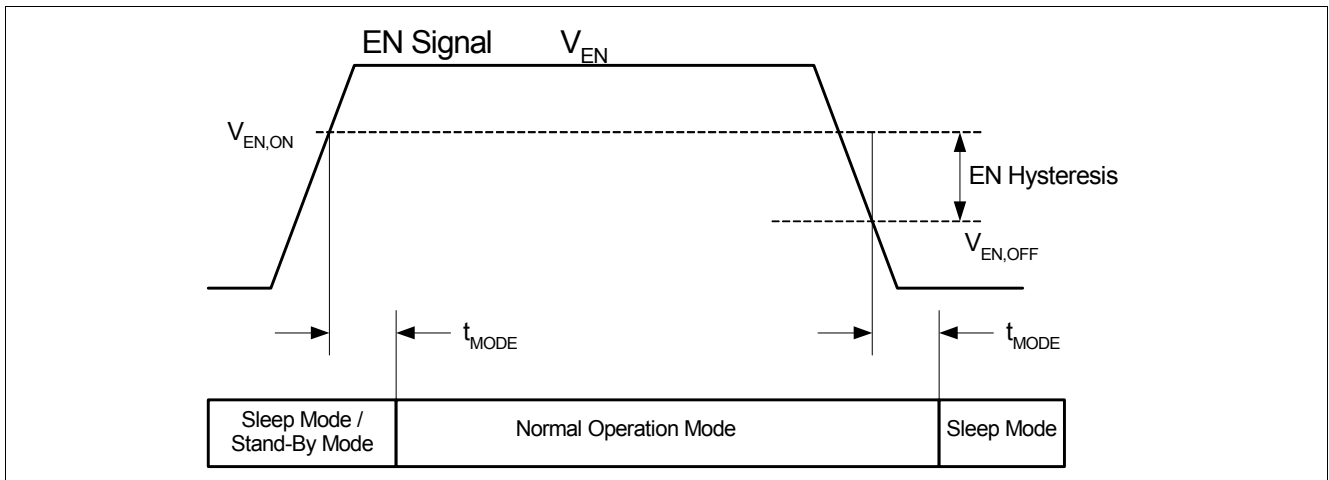


**Figure 8 Local Wake-Up behavior**

Beside the remote Wake-Up, a Wake-Up of the TLE7259-2GE via the WK pin is possible. This type of wake-up event is called “Local Wake Up”. A falling edge on the WK pin followed by a “Low” signal for  $t > t_{WK}$  results in a local Wake-Up (see [Figure 8](#)) and changes the operation mode to Stand-By mode.

In Stand-By mode the TxD pin indicates the source of the Wake-Up event. A strong pull-down on the pin TxD indicates a bus Wake-Up event (see [Figure 4](#)). The RxD pin signals if a Wake-Up event or the Power-Up event occurred. A “Low” signal on the RxD pin reports a local or bus Wake-Up event, a logical “High” signal on RxD indicates a Power-Up event.

### 4.8 Mode Transition via EN pin



**Figure 9 Mode Transition via EN pin**

It is also possible to change from Sleep mode to Normal Operation mode by setting the EN pin to logical “High”. This feature is useful if the external microcontroller is continuously powered, the microcontroller power-supply is not controlled by the INH pin. The EN pin has an integrated pull-down resistor to ensure the device remains in Sleep or Stand-By mode even if the voltage on the EN pin is floating. The EN pin has an integrated hysteresis (see [Figure 9](#)).

A transition from logical “High” to logical “Low” on the EN pin changes the operation mode from Normal Operation mode to Sleep mode. If the TLE7259-2GE is already in Sleep mode, changing the EN from “Low” to “High” results into a mode change from Sleep mode to Normal Operation mode. If the device is in Stand-By mode a change from “Low” to “High” on the EN pin changes the mode to Normal Operation mode, as well (see [Figure 4](#)).

### 4.9 TxD Time Out function

If the TxD signal is dominant for a time  $t > t_{\text{timeout}}$  the TxD time-out function deactivates the transmission of the LIN signal to the bus and disables the output stage. This is realized to prevent the bus from being blocked by a permanent “Low” signal on the TxD pin, caused by an error on the external microcontroller (see [Figure 10](#)).

The transmission is released again, after a rising edge at the pin TxD has been detected.

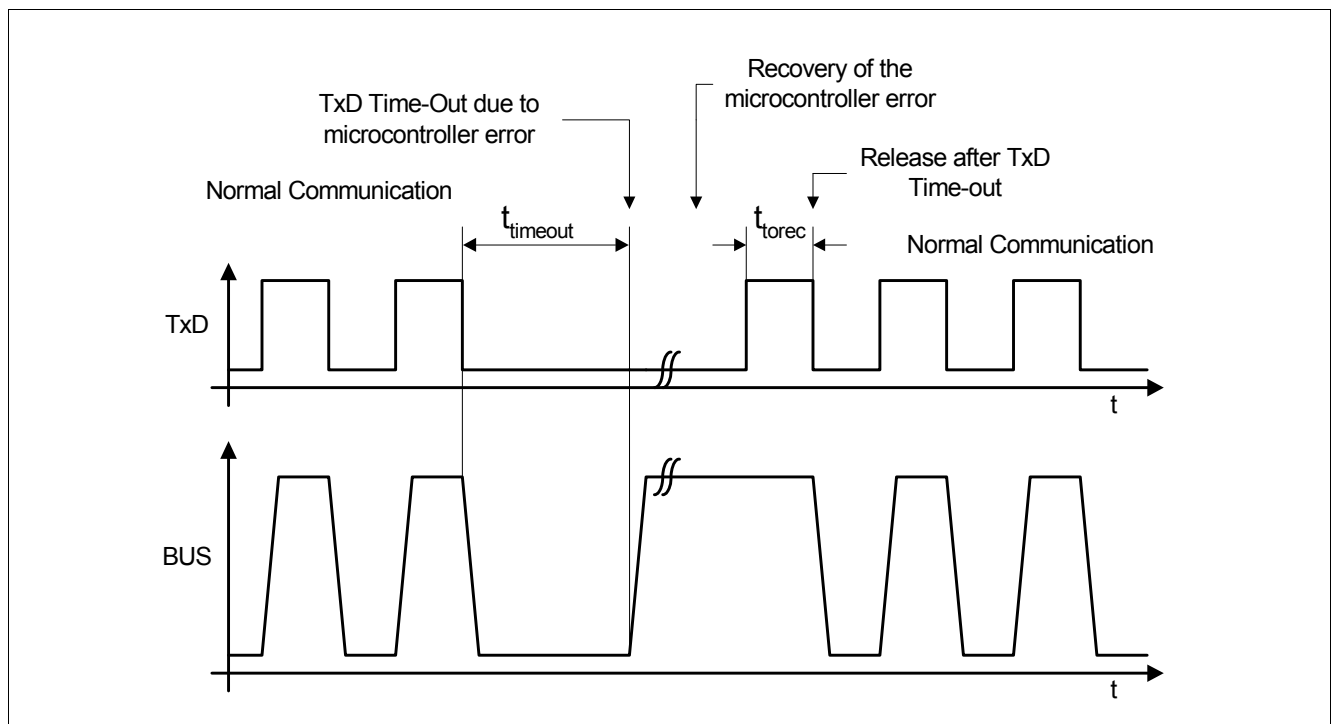


Figure 10 TxD Time-Out function

### 4.10 Over Temperature protection

The TLE7259-2GE has an integrated over temperature sensor to protect the device against thermal overstress on the output stage. In case of an over temperature event, the temperature sensor will disable the output stage (see [Figure 1](#)). An over temperature event will not cause any mode change and won't be indicated by the RxD pin or the TxD pin. When the junction temperature falls below the thermal shut down level  $T_J < T_{\text{jSD}}$ , the output stage is re-enabled and data communication can start again on the LIN bus. A 10°C hysteresis avoids toggling during the temperature shut down.

### 4.11 3.3 V and 5 V Logic Capability

The TLE7259-2GE can be used for 3.3 V and 5 V microcontrollers. The inputs and the outputs are capable to operate with both voltage levels. The RxD output must have an external pull-up resistor to the microcontroller supply to define the output voltage level.

#### BUS Short to GND Feature

The TLE7259-2GE has a feature implemented to protect the battery from running out of charge in case the LIN bus is shorted to GND.

In this failure case a normal master termination, a 1 kΩ resistor and diode between the LIN bus and the power supply  $V_S$ , would cause a constantly drawn current even in Sleep mode. The resulting resistance of this short to GND is lower than 1 kΩ. To avoid this current during a generator off state, like in a parked car, the TLE7259-2GE has a bus short to GND feature implemented, which is activated in Sleep mode.

This feature is only applicable, if the master termination of the LIN bus is connected to the INH pin, instead of being connected to the power supply  $V_S$  (see [Figure 15](#) and [Figure 16](#)). Internally, the 30 k $\Omega$  path is also switched off from the power supply  $V_S$  (see [Figure 1](#)).

A separate Master Termination Switch is implemented at the pin BUS, to avoid a voltage drop on the recessive level of LIN bus, in case of a dominant level or a short to ground on at the LIN bus.

#### 4.12 LIN Specifications 1.2, 1.3, 2.0, 2.1, 2.2, and 2.2A

The device fulfills the Physical Layer Specification of LIN 1.2, 1.3, 2.0, 2.1, 2.2 and 2.2A.

The differences between LIN specification 1.2 and 1.3 is mainly the physical layer specification. The reason was to improve the compatibility between the nodes.

The LIN specification 2.0 is a super set of the 1.3 version. The 2.0 version offers new features. However, it is possible to use the LIN 1.3 slave node in a 2.0 node cluster, as long as the new features are not used. Vice versa it is possible to use a LIN 2.0 node in the 1.3 cluster without using the new features.

In terms of the physical layer the LIN 2.1, LIN 2.2 and LIN 2.2A Specification doesn't include any changes and is fully compliant to the LIN Specification 2.0.

LIN 2.2A is the latest version of the LIN specification, released in December 2010.

## 5 General Product Characteristics

### 5.1 Absolute Maximum Ratings

**Table 3 Absolute Maximum Ratings Voltages, Currents and Temperatures<sup>1)</sup>**

All voltages with respect to ground; positive current flowing into pin;  
(unless otherwise specified)

Pos.	Parameter	Symbol	Limit Values		Unit	Remarks
			Min.	Max.		
<b>Voltages</b>						
5.1.1	Battery supply voltage	$V_S$	-0.3	40	V	LIN Spec 2.2A (Par. 11)
5.1.2	Bus and WK input voltage versus GND versus $V_S$	$V_{BUS,G}$	-40	40	V	-
		$V_{BUS,V_S}$	-40	40	V	
5.1.3	Logic voltages at EN, TxD, RxD	$V_{logic}$	-0.3	5.5	V	-
5.1.4	INH Voltage versus GND versus $V_S$	$V_{INH,G}$	-0.3	40	V	-
		$V_{INH,V_S}$	-40	0.3	V	
<b>Currents</b>						
5.1.5	Output current at INH	$I_{INH}$	-150	80	mA	<sup>2)</sup>
<b>Temperatures</b>						
5.1.6	Junction temperature	$T_j$	-40	150	°C	-
5.1.7	Storage temperature	$T_s$	-55	150	°C	-
<b>ESD Resistivity</b>						
5.1.8	Electrostatic discharge voltage at $V_S$ , Bus, WK versus GND	$V_{ESD}$	-6	6	kV	Human Body Model (100pF via 1.5 k $\Omega$ ) <sup>3)</sup>
5.1.9	Electrostatic discharge voltage all pins	$V_{ESD}$	-2	2	kV	Human Body Model (100pF via 1.5 k $\Omega$ ) <sup>3)</sup>

1) Not subject to production test, specified by design

2) Output current is internally limited to -150 mA

3) ESD susceptibility HBM according to EIA / JESD 22-A 114

*Note: Stresses above the ones listed here may cause permanent damage to the device. Exposure to absolute maximum rating conditions for extended periods may affect device reliability.*

*Note: Integrated protection functions are designed to prevent IC destruction under fault conditions described in the data sheet. Fault conditions are considered as "outside" normal operating range. Protection functions are not designed for continuous repetitive operation.*



## 5.2 Functional Range

**Table 4 Operating Range**

Pos.	Parameter	Symbol	Limit Values			Unit	Remarks
			Min.	Typ.	Max.		
<b>Supply voltages</b>							
5.2.1	Extended Supply Voltage Range for Operation	$V_{S(ext)}$	5	–	40	V	Parameter deviations possible
5.2.1	Supply Voltage range for Normal Operation	$V_{S(nor)}$	5.5	–	27	V	LIN Spec 2.2A (Par. 10)
<b>Thermal parameters</b>							
5.2.2	Junction temperature	$T_j$	-40	–	150	°C	<sup>1)</sup>

1) Not subject to production test, specified by design

*Note: Within the functional range the IC operates as described in the circuit description. The electrical characteristics are specified within the conditions given in the related electrical characteristics table.*

## 5.3 Thermal Characteristics

**Table 5 Thermal Resistance<sup>1)</sup>**

Pos.	Parameter	Symbol	Limit Values			Unit	Remarks
			Min.	Typ.	Max.		
<b>Thermal Resistance</b>							
5.3.1	Junction to Soldering Point	$R_{thJSP}$	–	–	25	K/W	measured on pin 5
5.3.2	Junction ambient	$R_{thJA}$	–	130	–	K/W	<sup>2)</sup>
<b>Thermal Shutdown Junction Temperature</b>							
5.3.3	Thermal shutdown temp.	$T_{jSD}$	150	175	190	°C	–
5.3.4	Thermal shutdown hyst.	$\Delta T$	–	10	–	K	–

1) Not subject to production test, specified by design

2) JESD 51-2, 51-3, FR4 76,2 mm x 114,3 mm x 1,5 mm, 70 μm Cu, minimal footprint, Ta = 27°C

## 6 Electrical Characteristics

### 6.1 Functional Device Characteristics

**Table 6 Electrical Characteristics**

5.5 V <  $V_S$  < 27 V;  $R_L = 500 \Omega$ ;  $-40 \text{ }^\circ\text{C} < T_j < 150 \text{ }^\circ\text{C}$ ; all voltages with respect to ground; positive current flowing into pin; unless otherwise specified.

Pos.	Parameter	Symbol	Limit Values			Unit	Remarks
			Min.	Typ.	Max.		
<b>Current Consumption</b>							
6.1.1	Current consumption at $V_S$	$I_{S,rec}$	0.5	1.1	3.0	mA	Recessive state, without $R_L$ ; $V_S = 13.5 \text{ V}$ ; $V_{TxD} = \text{"High"}$
6.1.2	Current consumption at $V_S$ Dominate State	$I_{S,dom}$	–	1.5	5.0	mA	Dominant state, without $R_L$ ; $V_S = 13.5 \text{ V}$ ; $V_{TxD} = 0 \text{ V}$
6.1.3	Current consumption at $V_S$ in sleep mode	$I_{S,sleep}$	–	5	12	$\mu\text{A}$	Sleep mode. $V_S = 18 \text{ V}$ ; $V_{WK} = V_S = V_{BUS}$
6.1.4	Current consumption at $V_S$ in sleep mode	$I_{S,sleep,typ}$	–	–	10	$\mu\text{A}$	Sleep mode, $T_j < 85 \text{ }^\circ\text{C}$ $V_S = 13.5 \text{ V}$ ; $V_{WK} = V_S = V_{BUS}$
6.1.5	Current consumption in sleep mode bus shorted to GND	$I_{S,kg,SC\_GND}$	–	45	100	$\mu\text{A}$	Sleep mode, $V_S = 13.5 \text{ V}$ ; $V_{BUS} = 0 \text{ V}$
<b>Receiver Output: RxD</b>							
6.1.6	HIGH level leakage current	$I_{RD,H,leak}$	-5	–	5	$\mu\text{A}$	$V_{RxD} = 5 \text{ V}$ ; $V_{BUS} = V_S$
6.1.7	LOW level output current	$I_{RD,L}$	1.7	–	10	mA	$V_{RxD} = 0.9 \text{ V}$ ; $V_{BUS} = 0 \text{ V}$
<b>Transmission Input: TxD</b>							
6.1.8	HIGH level input voltage range	$V_{TD,H}$	2	–	5.5	V	Recessive state
6.1.9	Input hysteresis	$V_{TD,hys}$	150	300	450	mV	<sup>1)</sup>
6.1.10	LOW level input voltage range	$V_{TD,L}$	-0.3	–	0.8	V	Dominant state
6.1.11	Pull-down resistance	$R_{TD}$	100	350	800	k $\Omega$	$V_{TxD} = \text{High}$
6.1.12	Dominant current standby mode after Wake-Up	$I_{TD,L}$	1.5	3	10	mA	$V_{TxD} = 0.9 \text{ V}$ ; $V_{WK} = 0 \text{ V}$ ; $V_S = 13.5 \text{ V}$
6.1.13	Input capacitance	$C_i$	–	5	–	pF	<sup>1)</sup>

**Electrical Characteristics**
**Table 6 Electrical Characteristics (cont'd)**

5.5 V <  $V_S$  < 27 V;  $R_L = 500 \Omega$ ;  $-40 \text{ }^\circ\text{C} < T_j < 150 \text{ }^\circ\text{C}$ ; all voltages with respect to ground; positive current flowing into pin; unless otherwise specified.

Pos.	Parameter	Symbol	Limit Values			Unit	Remarks
			Min.	Typ.	Max.		
<b>Enable Input: EN</b>							
6.1.14	HIGH level input voltage range	$V_{EN,ON}$	2	–	5.5	V	Normal Operation mode
6.1.15	LOW level input voltage range	$V_{EN,OFF}$	-0.3	–	0.8	V	Sleep mode or Stand-By mode
6.1.16	Input hysteresis	$V_{EN,hys}$	150	300	450	mV	<sup>1)</sup>
6.1.17	Pull-down resistance	$R_{EN}$	15	30	60	k $\Omega$	–
6.1.18	Input capacitance	$C_{i,EN}$	–	5	–	pF	<sup>1)</sup>
<b>Inhibit, Master Termination Output: INH</b>							
6.1.19	Inhibit $R_{on}$ resistance	$R_{INH,on}$	22	36	50	$\Omega$	$I_{INH} = -15 \text{ mA}$
6.1.20	Maximum INH output current	$I_{INH}$	-150	-110	-40	mA	$V_{INH} = 0 \text{ V}$
6.1.21	Leakage current	$I_{INH,Ik}$	-5.0	–	5.0	$\mu\text{A}$	Sleep mode; $V_{INH} = 0 \text{ V}$
<b>Wake Input: WK</b>							
6.1.22	High level input voltage	$V_{WK,H}$	$V_S - 1 \text{ V}$	–	$V_S + 3 \text{ V}$	V	tested $V_S = 13.5 \text{ V}$ ;
6.1.23	Low level input voltage	$V_{WK,L}$	-0.3	–	$V_S - 4 \text{ V}$	V	tested $V_S = 13.5 \text{ V}$ ;
6.1.24	Pull-up current	$I_{WK,PU}$	-60	-20	-3	$\mu\text{A}$	–
6.1.25	High level leakage current	$I_{WK,H,leak}$	-5	–	5	$\mu\text{A}$	$V_S = 0 \text{ V}$ ; $V_{WK} = 40 \text{ V}$
6.1.26	Dominant time for Wake-Up	$t_{WK}$	30	–	150	$\mu\text{s}$	–
6.1.27	Input Capacitance	$C_{i,WK}$	–	15	–	pF	<sup>1)</sup>
<b>Bus Receiver: BUS</b>							
6.1.28	Receiver threshold voltage, recessive to dominant edge	$V_{th,dom}$	$0.4 \times V_S$	$0.45 \times V_S$	–	V	–
6.1.29	Receiver dominant state	$V_{BUSdom}$	$V_S - 40 \text{ V}$	–	$0.4 \times V_S$	V	LIN Spec 2.2A (Par. 17) <sup>2)</sup>
6.1.30	Receiver threshold voltage, dominant to recessive edge	$V_{th,rec}$	–	$0.55 \times V_S$	$0.6 \times V_S$	V	–
6.1.31	Receiver recessive state	$V_{BUSrec}$	$0.6 \times V_S$	–	$1.15 \times V_S$	V	LIN Spec 2.2A (Par. 18) <sup>3)</sup>
6.1.32	Receiver center voltage	$V_{BUS\_CNT}$	$0.475 \times V_S$	$0.5 \times V_S$	$0.525 \times V_S$	V	$7.0\text{V} < V_S < 27\text{V}$ LIN Spec 2.2A (Par. 19) <sup>4)</sup>
6.1.33	Receiver hysteresis	$V_{HYS}$	$0.07 \times V_S$	$0.12 \times V_S$	$0.175 \times V_S$	V	LIN Spec 2.2A (Par. 20) <sup>5)</sup>
6.1.34	Wake-Up threshold voltage	$V_{BUS,wk}$	$0.40 \times V_S$	$0.5 \times V_S$	$0.6 \times V_S$	V	–
6.1.35	Dominant time for bus Wake-Up	$t_{WK,bus}$	30	–	150	$\mu\text{s}$	–

**Electrical Characteristics**
**Table 6 Electrical Characteristics (cont'd)**

5.5 V < V<sub>S</sub> < 27 V; R<sub>L</sub> = 500 Ω; -40 °C < T<sub>j</sub> < 150 °C; all voltages with respect to ground; positive current flowing into pin; unless otherwise specified.

Pos.	Parameter	Symbol	Limit Values			Unit	Remarks
			Min.	Typ.	Max.		
<b>Bus Transmitter BUS</b>							
6.1.36	Bus recessive output voltage	V <sub>BUS,ro</sub>	0.8 × V <sub>S</sub>	–	V <sub>S</sub>	V	V <sub>TxD</sub> = high Level
6.1.37	Bus dominant output voltage maximum load	V <sub>BUS,do</sub>	–	–	1.2	V	V <sub>TxD</sub> = 0 V; R <sub>L</sub> = 500 Ω
			–	–	0.2 × V <sub>S</sub>	V	6.0 ≤ V <sub>S</sub> ≤ 7.3 V;
			–	–	2.0	V	7.3 < V <sub>S</sub> ≤ 10 V; 10 < V <sub>S</sub> ≤ 18 V; (see <a href="#">Figure 12</a> )
6.1.38	Bus short circuit current	I <sub>BUS_LIM</sub>	70	100	150	mA	V <sub>BUS</sub> = 13.5 V; LIN Spec 2.2A (Par. 12);
6.1.39	Leakage current	I <sub>BUS_NO_GND</sub>	-1	-0.5	–	mA	V <sub>S</sub> = 0 V; V <sub>BUS</sub> = -12 V; LIN Spec 2.2A (Par. 15)
6.1.40	Leakage current	I <sub>BUS_NO_BAT</sub>	–	1	8	μA	V <sub>S</sub> = 0 V; V <sub>BUS</sub> = 18 V; LIN Spec 2.2A (Par. 16)
6.1.41	Leakage current	I <sub>BUS_PAS_dom</sub>	-1	-0.5	–	mA	V <sub>S</sub> = 18 V; V <sub>BUS</sub> = 0 V; LIN Spec 2.2A (Par. 13)
6.1.42	Leakage current	I <sub>BUS_PAS_rec</sub>	–	1	8	μA	V <sub>S</sub> = 8 V; V <sub>BUS</sub> = 18 V; LIN Spec 2.2A (Par. 14)
6.1.43	Bus pull-up resistance	R <sub>slave</sub>	20	30	47	kΩ	Normal mode LIN Spec 2.2A (Par. 26)
6.1.44	LIN output current	I <sub>BUS</sub>	-60	-30	-5	μA	Sleep mode V <sub>S</sub> = 13.5V V <sub>EN</sub> = 0V
6.1.45	Input Capacitance	Ci <sub>BUS</sub>		15	–	pF	<sup>1)</sup>
<b>Dynamic Transceiver Characteristics: BUS</b>							
6.1.46	Propagation delay LIN bus to RxD Dominant to RxD Low Recessive to RxD High	t <sub>rx_pdf</sub> t <sub>rx_pdr</sub>	–	1	6	μs	LIN Spec 2.2A (Par. 31) R <sub>RxD</sub> = 2.4 kΩ; C <sub>RxD</sub> = 20 pF
			–	1	6	μs	
6.1.47	Receiver delay symmetry	t <sub>rx_sym</sub>	-2	–	2	μs	LIN Spec 2.2A (Par. 32) t <sub>rx_sym</sub> = t <sub>rx_pdf</sub> - t <sub>rx_pdr</sub> ; R <sub>RxD</sub> = 2.4 kΩ; C <sub>RxD</sub> = 20 pF
6.1.48	Delay time for mode change	t <sub>MODE</sub>	–	–	150	μs	<sup>1)</sup> See <a href="#">Figure 5</a>
6.1.49	TxD dominant time out	t <sub>timeout</sub>	8	13	20	ms	V <sub>TxD</sub> = 0 V
6.1.50	TxD dominant time out recovery time	t <sub>torec</sub>	–	–	15	μs	<sup>1)</sup>
6.1.51	EN toggling to enter the flash mode	t <sub>fl1</sub>	25	35	50	μs	<sup>1)</sup> See <a href="#">Figure 6</a>
6.1.52	TxD time for flash activation	t <sub>fl2</sub>	5	–	–	μs	<sup>1)</sup> See <a href="#">Figure 6</a>
		t <sub>fl3</sub>	10	–	–		
		t <sub>fl4</sub>	10	–	–		

**Electrical Characteristics**
**Table 6 Electrical Characteristics (cont'd)**

5.5 V < V<sub>S</sub> < 27 V; R<sub>L</sub> = 500 Ω; -40 °C < T<sub>j</sub> < 150 °C; all voltages with respect to ground; positive current flowing into pin; unless otherwise specified.

Pos.	Parameter	Symbol	Limit Values			Unit	Remarks
			Min.	Typ.	Max.		
6.153	Duty cycle D1 (for worst case at 20 kBit/s)	D1	0.396	–	–		duty cycle 1 <sup>6)</sup> TH <sub>Rec</sub> (max) = 0.744 × V <sub>S</sub> ; TH <sub>Dom</sub> (max) = 0.581 × V <sub>S</sub> ; V <sub>S</sub> = 7.0 ... 18 V; t <sub>bit</sub> = 50 μs; D1 = t <sub>bus_rec(min)}/2 t<sub>bit</sub>;            LIN Spec 2.2A (Par. 27)</sub>
6.154	Duty cycle D1 for V <sub>S</sub> supply 5.5 V to 7.0 V (for worst case at 20 kBit/s)	D1	0.396	–	–		duty cycle 1 <sup>6)</sup> TH <sub>Rec</sub> (max) = 0.760 × V <sub>S</sub> ; TH <sub>Dom</sub> (max) = 0.593 × V <sub>S</sub> ; 5.5 V < V <sub>S</sub> < 7.0 V; t <sub>bit</sub> = 50 μs; D1 = t <sub>bus_rec(min)}/2 t<sub>bit</sub>;</sub>
6.155	Duty cycle D2 (for worst case at 20 kBit/s)	D2	–	–	0.581		duty cycle 2 <sup>6)</sup> TH <sub>Rec</sub> (min) = 0.422 × V <sub>S</sub> ; TH <sub>Dom</sub> (min) = 0.284 × V <sub>S</sub> ; V <sub>S</sub> = 7.6 ... 18 V; t <sub>bit</sub> = 50 μs; D2 = t <sub>bus_rec(max)}/2 t<sub>bit</sub>;            LIN Spec 2.2A (Par. 28)</sub>
6.156	Duty cycle D2 for V <sub>S</sub> supply 6.1 V to 7.6 V (for worst case at 20 kBit/s)	D2	–	–	0.581		duty cycle 2 <sup>6)</sup> TH <sub>Rec</sub> (min) = 0.410 × V <sub>S</sub> ; TH <sub>Dom</sub> (min) = 0.275 × V <sub>S</sub> ; 6.1 V < V <sub>S</sub> < 7.6 V; t <sub>bit</sub> = 50 μs; D2 = t <sub>bus_rec(max)}/2 t<sub>bit</sub>;</sub>

1) Not subject to production test, specified by design

2) Minimum limit specified by design

3) Maximum limit specified by design

4)  $V_{BUS\_CNT} = (V_{th\_dom} + V_{th\_rec})/2$

5)  $V_{HYS} = V_{th\_rec} - V_{th\_dom}$

6) Bus load concerning LIN Spec 2.2A:

Load 1 = 1 nF / 1 kΩ = C<sub>BUS</sub> / R<sub>BUS</sub>

Load 2 = 6.8 nF / 660 Ω = C<sub>BUS</sub> / R<sub>BUS</sub>

Load 3 = 10 nF / 500 Ω = C<sub>BUS</sub> / R<sub>BUS</sub>

6.2 Diagrams

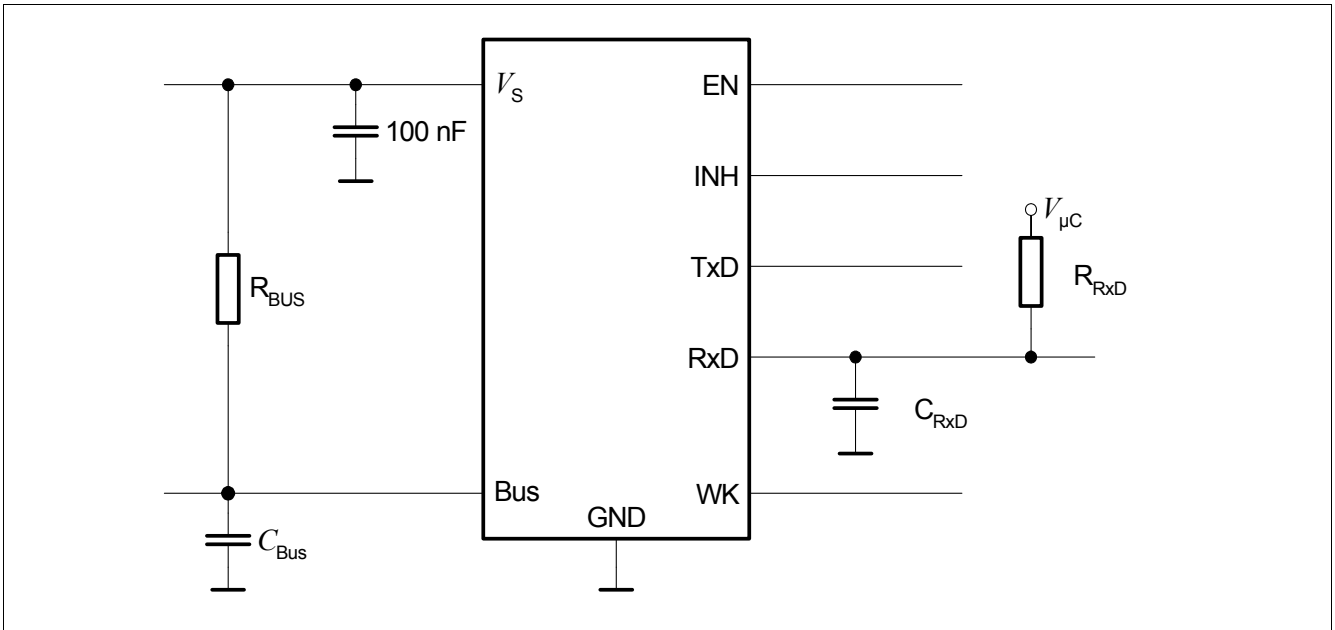


Figure 11 Simplified test circuit for dynamic characteristics

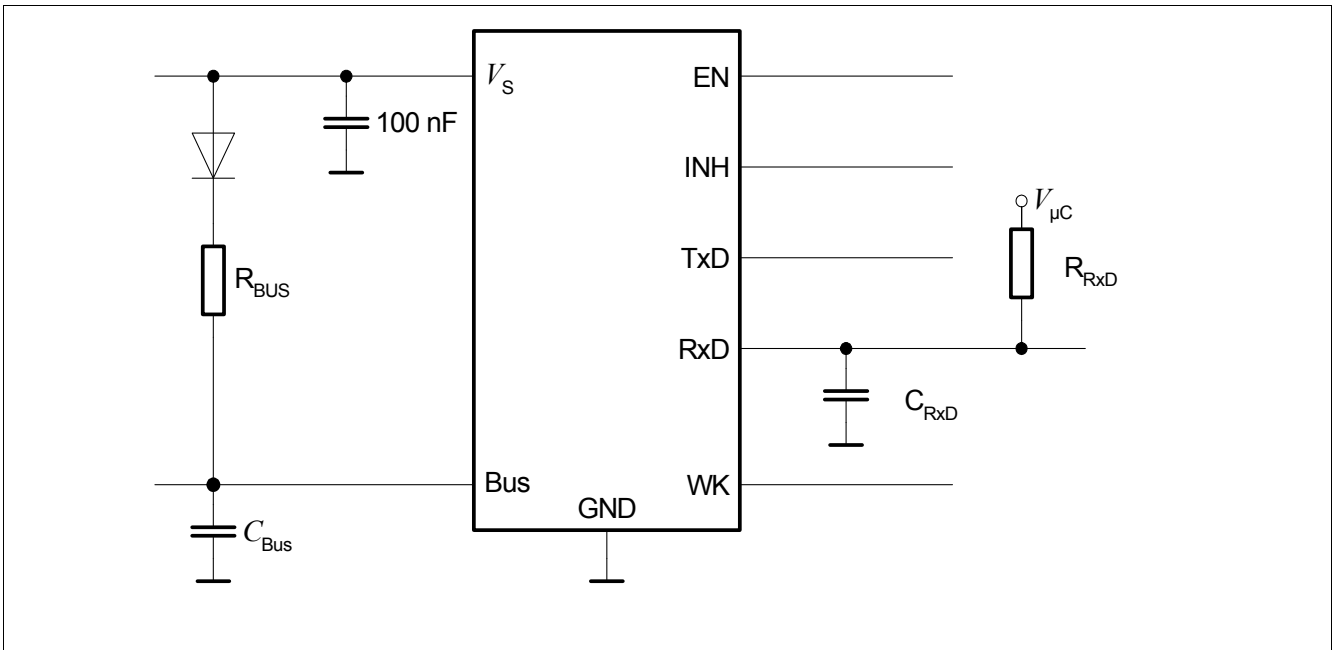


Figure 12 Simplified test circuit for static characteristics

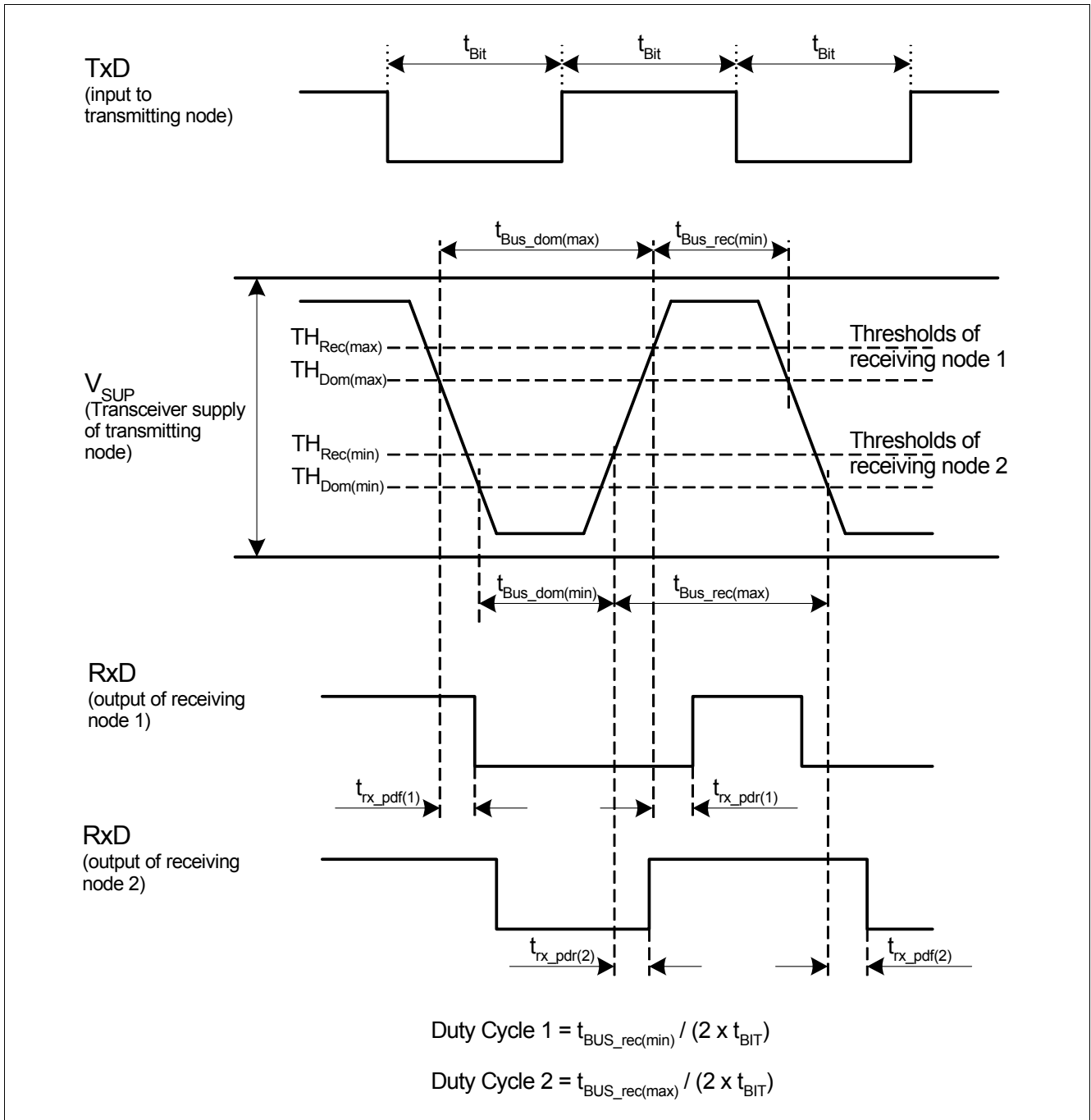


Figure 13 Timing diagram for dynamic characteristics

## 7 Application Information

### 7.1 ESD Robustness according to IEC61000-4-2

Test for ESD robustness according to IEC61000-4-2 “Gun test” (150 pF, 330 Ω) have been performed. The results and test conditions are available in a separate test report.

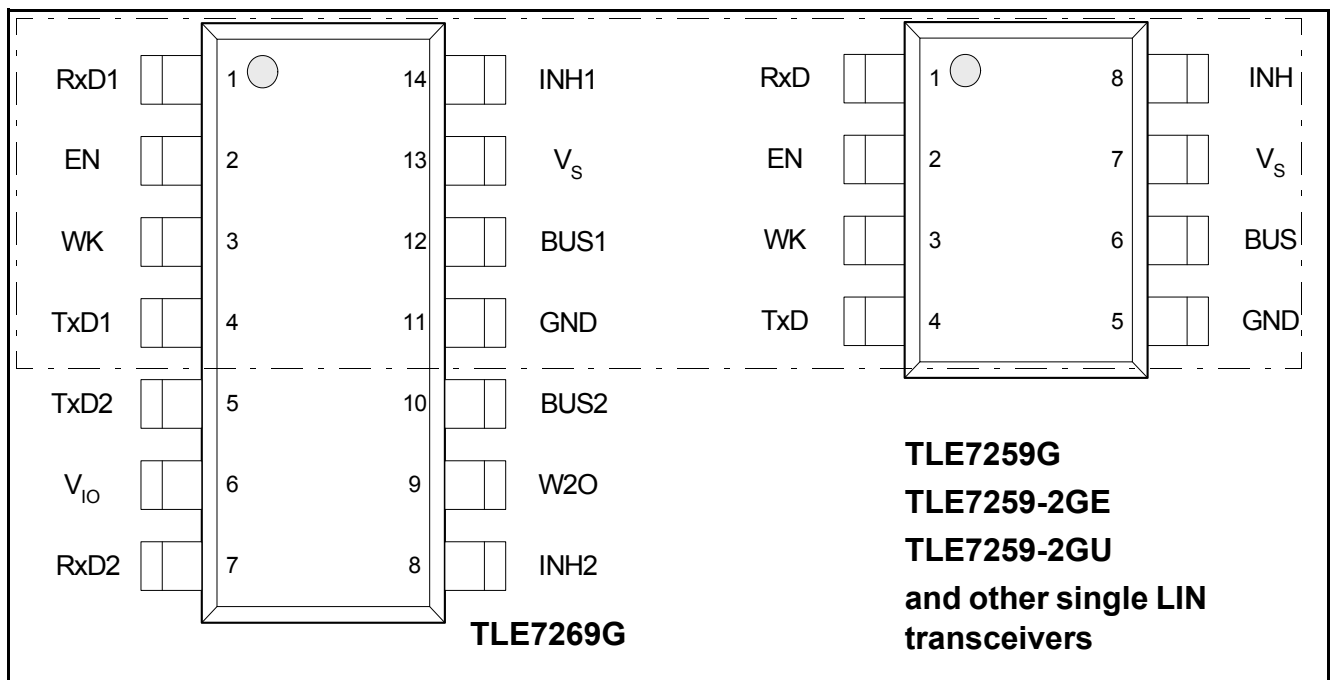
**Table 7 ESD Robustness according to IEC61000-4-2**

Performed Test	Result	Unit	Remarks
Electrostatic discharge voltage at pin $V_S$ BUS versus GND	$\geq 11$	kV	<sup>1)</sup> Positive pulse
Electrostatic discharge voltage at pin $V_S$ BUS versus GND	$\leq -11$	kV	<sup>1)</sup> Negative pulse
Electrostatic discharge voltage at pin WK versus GND	$\geq 9$	kV	<sup>1)</sup> Positive pulse
Electrostatic discharge voltage at pin WK versus GND	$\leq -9$	kV	<sup>1)</sup> Negative pulse

1) ESD susceptibility “ESD GUN” according LIN EMC 1.3 Test Specification, Section 4.3. (IEC 61000-4-2) -Tested by external test house.

### 7.2 Pin Compatibility to other LIN Transceivers

The LIN Transceiver TLE7259-2GE is pin and function compatible to the Single LIN Transceivers like the TLE7259G, the TLE7259-2GU and other single LIN Transceivers on the market. The TLE7259-2GE has no  $V_{IO}$  supply pin. Therefore the TLE7259-2GE needs a pull-up resistor to the external microcontroller supply. The TLE7259-2GE can also be used on a PCB design for the Twin LIN TLE7269G. Since the TLE7269G doesn't need a pull-up resistor on the RxD pin, a pull-up resistor to the external microcontroller needs to be added to get the same functionality.



**Figure 14 Pin configuration TLE7259-2GE, TLE7259-2GU, TLE7259G and TLE7269G**



### 7.3 Master Termination

To achieve the required timings for the dominant to recessive transition of the bus signal an additional external termination resistor of 1 k $\Omega$  is mandatory. It is recommended to place this resistor at the master node. To avoid reverse currents from the bus line into the battery supply line it is recommended to place a diode in series with the external pull-up. For small systems (low bus capacitance) the EMC performance of the system is supported by an additional capacitor of at least 1 nF at the master node (see [Figure 15](#) and [Figure 16](#)). The values for the Master Termination resistor and the bus capacitances influence the performance of the LIN network. They depend on the number of nodes inside the LIN network and on the parasitic cable capacitance of the LIN bus wiring.

### 7.4 External Capacitors

A capacitor of 10  $\mu$ F at the supply voltage input  $V_S$  buffers the input voltage. In combination with the required reverse polarity diode this prevents the device from detecting a power down conditions in case of negative transients on the supply line (see [Figure 15](#) and [Figure 16](#)).

The 100 nF capacitor close to the  $V_S$  pin of the TLE7259-2GE is required to get the best EMC performance.

7.5 Application Example

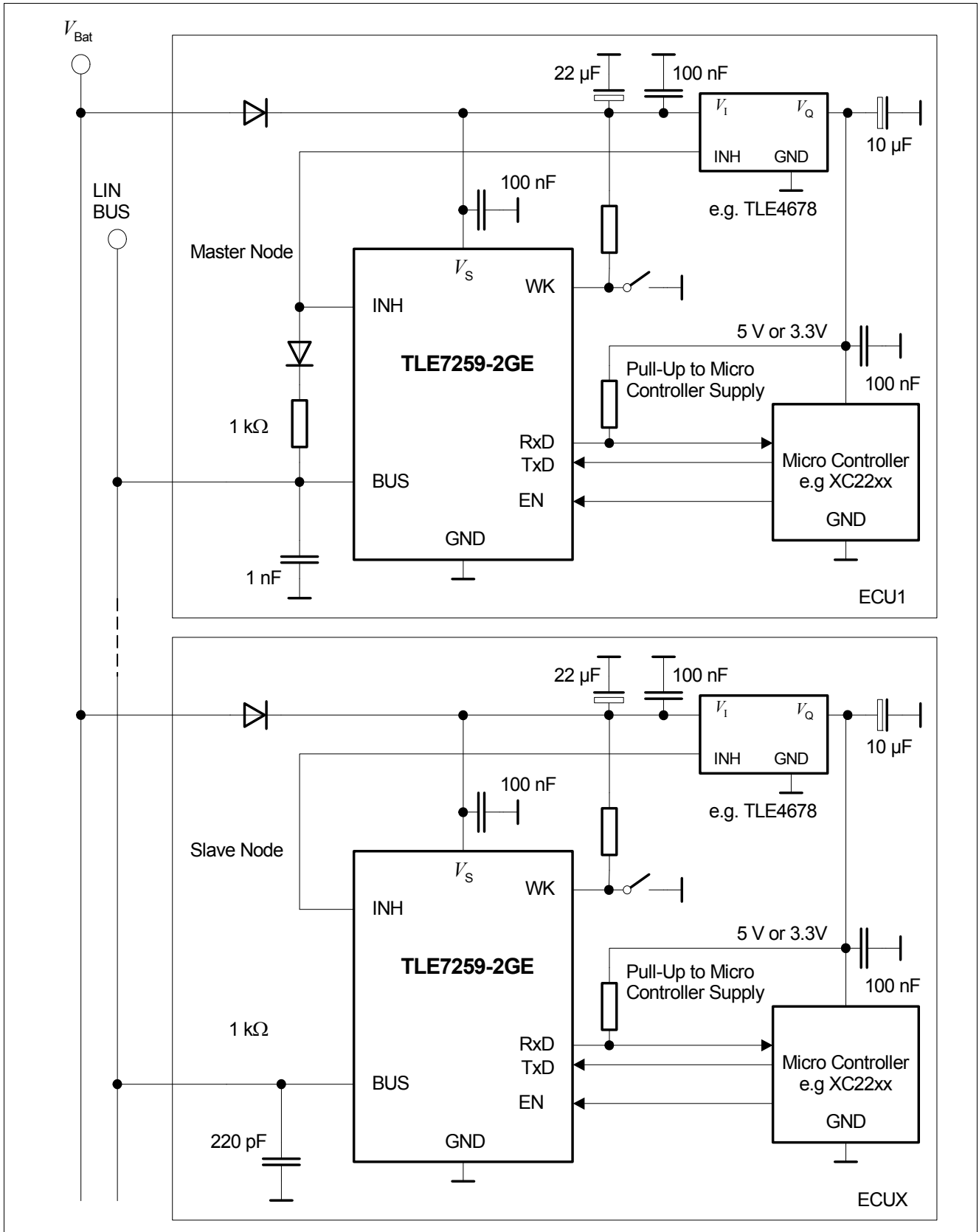


Figure 15 Simplified Application Circuit with Bus Short to GND Feature applied

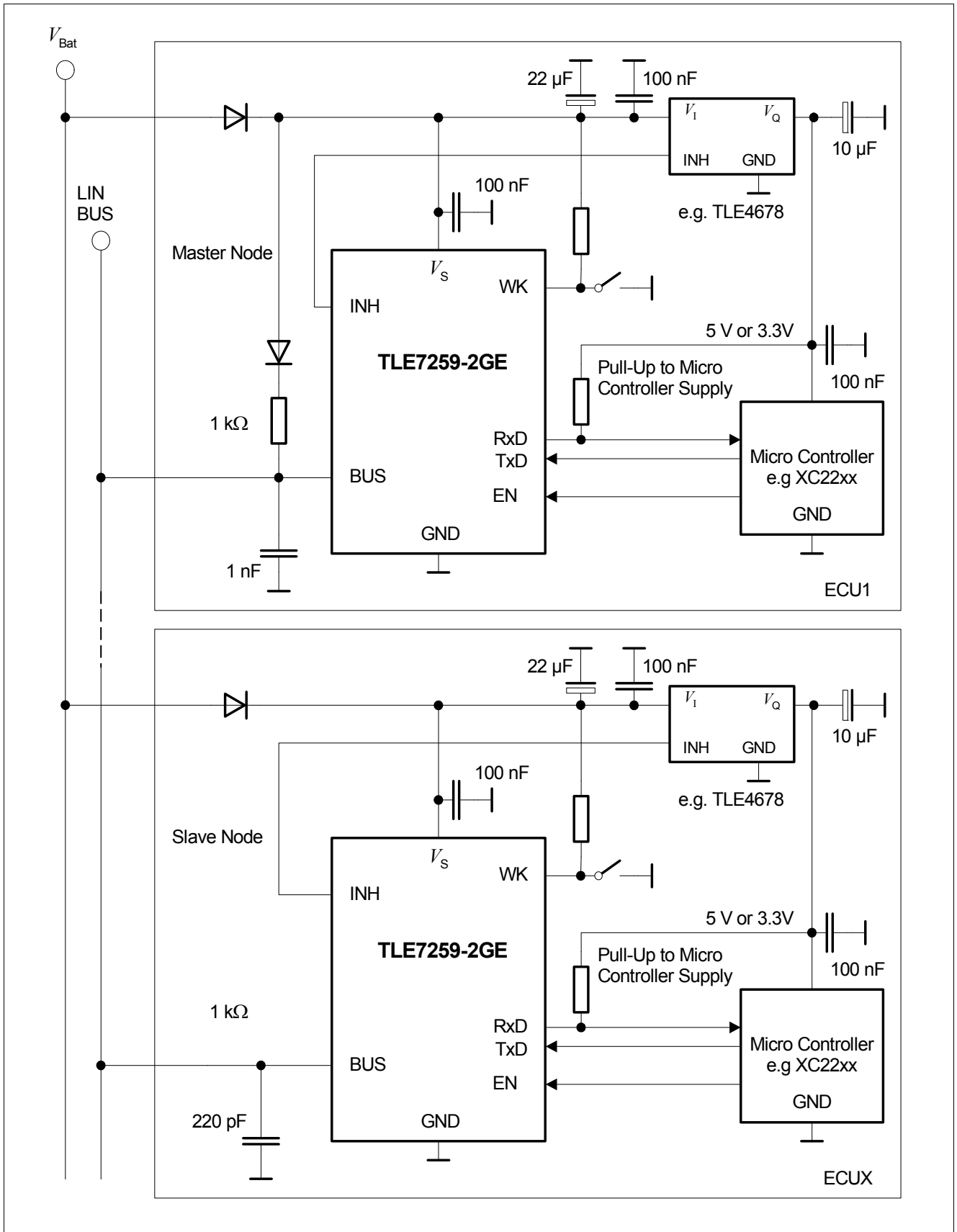
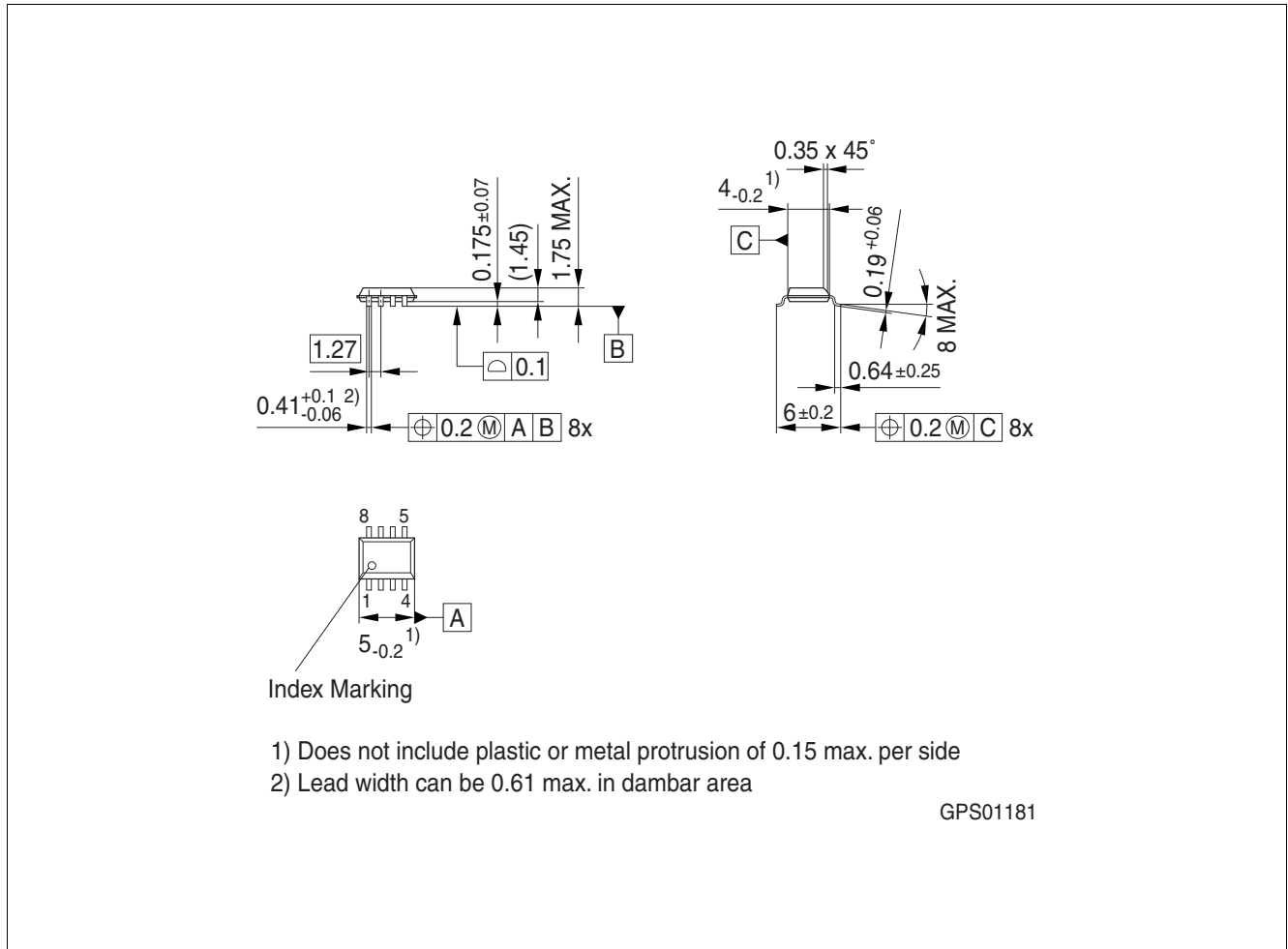


Figure 16 Simplified application Circuit without Bus Short to GND Feature

## 8 Package Outlines



**Figure 17 PG-DSO-8 (Plastic Dual Small Outline PG-DSO-8-16)**

### Green Product (RoHS compliant)

To meet the world-wide customer requirements for environmentally friendly products and to be compliant with government regulations the device is available as a green product. Green products are RoHS-Compliant (i.e. Pb-free finish on leads and suitable for Pb-free soldering according to IPC/JEDEC J-STD-020).

## 9 Revision History

Revision	Date	Changes
1.5	2013-07-26	Editorial changes
1.4	2013-04-25	Data Sheet updated Page: 19, 21: <ul style="list-style-type: none"> <li>Parameter 6.1.32: Updated condition, corrected footnote in accordance with LIN specification</li> <li>Parameter 6.1.33: Corrected footnote in accordance with LIN specification</li> </ul>
1.3	2012-04-27	Data Sheet updated <ul style="list-style-type: none"> <li>Cover page, change format</li> <li>Added references to LIN Specification 2.2A</li> </ul> Page: 17 - 21: <ul style="list-style-type: none"> <li>Extended the device's operating range, Table 4 and Table 6, from <math>7.0\text{ V} &lt; V_S &lt; 27\text{ V}</math> to <math>5.5\text{ V} &lt; V_S &lt; 27\text{ V}</math></li> <li>Parameter 6.1.38 - Tightened parameter range, Min. 40 mA to Min. 70 mA</li> <li>New Parameter 6.1.54 - Duty cycle D1 specified for <math>V_S = 5.5\text{ V}</math> to <math>7.0\text{ V}</math></li> <li>New Parameter 6.1.56 - Duty cycle D2 specified for <math>V_S = 6.1\text{ V}</math> to <math>7.6\text{ V}</math></li> </ul>
1.21	2010-06-21	Editorial changes
1.2	2010-04-12	Data Sheet updated <ul style="list-style-type: none"> <li>Cover page, change format</li> <li>page 21, update table 6, pos 6.1.49 change min. limit from 6 ms to 8 ms change typical value from 12 ms to 13 ms</li> </ul>
1.1	2008-09-05	Data Sheet updated Page: 19 - 22 <ul style="list-style-type: none"> <li>Change the temperature range at table 6, from <math>-40\text{ }^\circ\text{C} &lt; T_j &lt; 125^\circ\text{C}</math> to <math>-40\text{ }^\circ\text{C} &lt; T_j &lt; 150^\circ\text{C}</math></li> </ul> Page 19: <ul style="list-style-type: none"> <li>Parameter 6.1.7 - change Min. Limit from 1.3 mA to 1.7 mA</li> </ul> Page 21: <ul style="list-style-type: none"> <li>Parameter 6.1.42 - change the Max. Limit from 20 <math>\mu\text{A}</math> to 8 <math>\mu\text{A}</math>.</li> </ul>
1.0	2007-11-06	Data Sheet created

**Edition 2013-07-26**

**Published by  
Infineon Technologies AG  
81726 Munich, Germany**

**© 2013 Infineon Technologies AG  
All Rights Reserved.**

### **Legal Disclaimer**

The information given in this document shall in no event be regarded as a guarantee of conditions or characteristics. With respect to any examples or hints given herein, any typical values stated herein and/or any information regarding the application of the device, Infineon Technologies hereby disclaims any and all warranties and liabilities of any kind, including without limitation, warranties of non-infringement of intellectual property rights of any third party.

### **Information**

For further information on technology, delivery terms and conditions and prices, please contact the nearest Infineon Technologies Office ([www.infineon.com](http://www.infineon.com)).

### **Warnings**

Due to technical requirements, components may contain dangerous substances. For information on the types in question, please contact the nearest Infineon Technologies Office.

Infineon Technologies components may be used in life-support devices or systems only with the express written approval of Infineon Technologies, if a failure of such components can reasonably be expected to cause the failure of that life-support device or system or to affect the safety or effectiveness of that device or system. Life support devices or systems are intended to be implanted in the human body or to support and/or maintain and sustain and/or protect human life. If they fail, it is reasonable to assume that the health of the user or other persons may be endangered.

Компания «Океан Электроники» предлагает заключение долгосрочных отношений при поставках импортных электронных компонентов на взаимовыгодных условиях!

Наши преимущества:

- Поставка оригинальных импортных электронных компонентов напрямую с производств Америки, Европы и Азии, а так же с крупнейших складов мира;
- Широкая линейка поставок активных и пассивных импортных электронных компонентов (более 30 млн. наименований);
- Поставка сложных, дефицитных, либо снятых с производства позиций;
- Оперативные сроки поставки под заказ (от 5 рабочих дней);
- Экспресс доставка в любую точку России;
- Помощь Конструкторского Отдела и консультации квалифицированных инженеров;
- Техническая поддержка проекта, помощь в подборе аналогов, поставка прототипов;
- Поставка электронных компонентов под контролем ВП;
- Система менеджмента качества сертифицирована по Международному стандарту ISO 9001;
- При необходимости вся продукция военного и аэрокосмического назначения проходит испытания и сертификацию в лаборатории (по согласованию с заказчиком);
- Поставка специализированных компонентов военного и аэрокосмического уровня качества (Xilinx, Altera, Analog Devices, Intersil, Interpoint, Microsemi, Actel, Aeroflex, Peregrine, VPT, Syfer, Eurofarad, Texas Instruments, MS Kennedy, Miteq, Cobham, E2V, MA-COM, Hittite, Mini-Circuits, General Dynamics и др.);

Компания «Океан Электроники» является официальным дистрибьютором и эксклюзивным представителем в России одного из крупнейших производителей разъемов военного и аэрокосмического назначения «JONHON», а так же официальным дистрибьютором и эксклюзивным представителем в России производителя высокотехнологичных и надежных решений для передачи СВЧ сигналов «FORSTAR».



## JONHON

«JONHON» (основан в 1970 г.)

Разъемы специального, военного и аэрокосмического назначения:

(Применяются в военной, авиационной, аэрокосмической, морской, железнодорожной, горно- и нефтедобывающей отраслях промышленности)

«FORSTAR» (основан в 1998 г.)

ВЧ соединители, коаксиальные кабели, кабельные сборки и микроволновые компоненты:

(Применяются в телекоммуникациях гражданского и специального назначения, в средствах связи, РЛС, а так же военной, авиационной и аэрокосмической отраслях промышленности).



Телефон: 8 (812) 309-75-97 (многоканальный)

Факс: 8 (812) 320-03-32

Электронная почта: [ocean@oceanchips.ru](mailto:ocean@oceanchips.ru)

Web: <http://oceanchips.ru/>

Адрес: 198099, г. Санкт-Петербург, ул. Калинина, д. 2, корп. 4, лит. А