

# CGHV1F006S

**6 W, DC - 18 GHz, 40V, GaN HEMT**

Cree's CGHV1F006S is an unmatched, gallium nitride (GaN) high electron mobility transistor (HEMT) designed specifically for high efficiency, high gain and wide bandwidth capabilities. The device can be deployed for L, S, C, X and Ku-Band amplifier applications. The datasheet specifications are based on a C-Band (5.5 - 6.5 GHz) amplifier. Additional application circuits are available for C-Band at 5.8 GHz - 7.2 GHz and X-Band at 7.9 - 8.4 GHz and 8.5 - 9.6 GHz. The CGHV1F006S operates on a 40 volt rail circuit while housed in a 3mm x 4mm, surface mount, dual-flat-no-lead (DFN) package. Under reduced power, the transistor can operate below 40V to as low as 20V  $V_{DD}$ , maintaining high gain and efficiency.



Package Type: 3x4 DFN  
PN: CGHV1F006S

## Typical Performance 5.5-6.5 GHz ( $T_c = 25^\circ\text{C}$ ), 40 V

Parameter	5.5 GHz	6.0 GHz	6.5 GHz	Units
Small Signal Gain	15.4	16.5	17.8	dB
Output Power @ $P_{IN} = 28$ dBm	38.6	39.3	39.0	dBm
Drain Efficiency @ $P_{IN} = 28$ dBm	55	57	52	%

Note:

Measured in the CGHV1F006S-AMP application circuit. Pulsed 100  $\mu\text{s}$  10% duty.

## Features for 40 V in CGHV1F006S-AMP

- Up to 18 GHz Operation
- 8 W Typical Output Power
- 17 dB Gain at 6.0 GHz
- 15 dB Gain at 9.0 GHz
- Application circuits for 5.8 - 7.2 GHz, 7.9 - 8.4 GHz, and 8.5 - 9.6 GHz.
- High degree of APD and DPD correction can be applied

Large Signal Models Available for ADS and MWO

## Listing of Available Hardware Application Circuits / Demonstration Circuits

Application Circuit	Operating Frequency	Amplifier Class	Operating Voltage
CGHV1F006S-AMP1	2.5 - 2.7 GHz	Class A/B	50 V
CGHV1F006S-AMP2	2.5 - 2.7 GHz	Class A/B	28 V
CGHV1F006S-AMP3	1.8 - 2.2 GHz	Class A/B	28 V
CGHV1F006S-AMP5	1.2 - 1.4 GHz	Class A/B	50 V

## Absolute Maximum Ratings (not simultaneous) at 25°C Case Temperature

Parameter	Symbol	Rating	Units	Notes
Drain-Source Voltage	$V_{DSS}$	100	Volts	25°C
Gate-to-Source Voltage	$V_{GS}$	-10, +2	Volts	25°C
Storage Temperature	$T_{STG}$	-65, +150	°C	
Operating Junction Temperature	$T_J$	225	°C	
Maximum Forward Gate Current	$I_{GMAX}$	1.2	mA	25°C
Maximum Drain Current <sup>1</sup>	$I_{DMAX}$	0.95	A	25°C
Soldering Temperature <sup>2</sup>	$T_S$	245	°C	
Case Operating Temperature <sup>3,4</sup>	$T_C$	-40, +150	°C	
Thermal Resistance, Junction to Case <sup>5</sup>	$R_{\theta JC}$	14.5	°C/W	85°C

Note:

<sup>1</sup> Current limit for long term, reliable operation

<sup>2</sup> Refer to the Application Note on soldering at [www.cree.com/rf/document-library](http://www.cree.com/rf/document-library)

<sup>3</sup> Simulated at  $P_{DISS} = 2.4$  W

<sup>4</sup>  $T_C$  = Case temperature for the device. It refers to the temperature at the ground tab underneath the package. The PCB will add additional thermal resistance.

<sup>5</sup> The  $R_{\theta TH}$  for Cree's application circuit, CGHV1F006S-AMP, with 31 (Ø11 mil) via holes designed on a 20 mil thick Rogers 5880 PCB, is 3.9°C/W. The total  $R_{\theta TH}$  from the heat sink to the junction is 14.5°C/W + 3.9°C/W = 18.4°C/W.

## Electrical Characteristics ( $T_C = 25^\circ\text{C}$ ) - 40 V Typical

Characteristics	Symbol	Min.	Typ.	Max.	Units	Conditions
<b>DC Characteristics<sup>1</sup></b>						
Gate Threshold Voltage	$V_{GS(th)}$	-3.6	-3.0	-2.4	$V_{DC}$	$V_{DS} = 10$ V, $I_D = 1.2$ mA
Gate Quiescent Voltage	$V_{GS(Q)}$	-	-2.7	-	$V_{DC}$	$V_{DS} = 40$ V, $I_D = 60$ mA
Saturated Drain Current <sup>2</sup>	$I_{DS}$	-	-1.0	-	A	$V_{DS} = 6.0$ V, $V_{GS} = 2.0$ V
Drain-Source Breakdown Voltage	$V_{(BR)DSS}$	100	-	-	$V_{DC}$	$V_{GS} = -8$ V, $I_D = 1.2$ mA
<b>RF Characteristics<sup>3</sup> (<math>T_C = 25^\circ\text{C}</math>, <math>F_0 = 6.0</math> GHz unless otherwise noted)</b>						
Gain	G	-	16	-	dB	$V_{DD} = 40$ V, $I_{DQ} = 60$ mA, $P_{IN} = 0$ dBm
Output Power <sup>4</sup>	$P_{OUT}$	-	38.5	-	dBm	$V_{DD} = 40$ V, $I_{DQ} = 60$ mA, $P_{IN} = 28$ dBm
Drain Efficiency <sup>4</sup>	$\eta$	-	55	-	%	$V_{DD} = 40$ V, $I_{DQ} = 60$ mA, $P_{IN} = 28$ dBm
Output Mismatch Stress <sup>4</sup>	VSWR	-	10 : 1	-	$\Psi$	No damage at all phase angles, $V_{DD} = 40$ V, $I_{DQ} = 60$ mA, $P_{IN} = 28$ dBm
<b>Dynamic Characteristics</b>						
Input Capacitance <sup>5</sup>	$C_{GS}$	-	1.3	-	pF	$V_{DS} = 40$ V, $V_{gs} = -8$ V, $f = 1$ MHz
Output Capacitance <sup>5</sup>	$C_{DS}$	-	0.31	-	pF	$V_{DS} = 40$ V, $V_{gs} = -8$ V, $f = 1$ MHz
Feedback Capacitance	$C_{GD}$	-	0.04	-	pF	$V_{DS} = 40$ V, $V_{gs} = -8$ V, $f = 1$ MHz

Notes:

<sup>1</sup> Measured on wafer prior to packaging

<sup>2</sup> Scaled from PCM data

<sup>3</sup> Measured in CGHV1F006S-AMP

<sup>4</sup> Pulsed 100  $\mu$ s, 10% duty cycle

<sup>5</sup> Includes package

## Electrical Characteristics When Tested in CGHV1F006S-AMP1 at C-Band Under OQPSK

Characteristics	Symbol	Min.	Typ.	Max.	Units	Conditions
<b>RF Characteristics<sup>1</sup> (<math>T_c = 25^\circ\text{C}</math>, <math>F_o = 5.8 - 7.2\text{ GHz}</math> unless otherwise noted)</b>						
Gain	G	-	17.5	-	dB	$V_{DD} = 40\text{ V}$ , $I_{DQ} = 60\text{ mA}$ , $P_{IN} = 0\text{ dBm}$
Output Power <sup>2</sup>	$P_{OUT}$	-	39	-	dBm	$V_{DD} = 40\text{ V}$ , $I_{DQ} = 60\text{ mA}$ , $P_{IN} = 27\text{ dBm}$
Drain Efficiency <sup>2</sup>	$\eta$	-	55	-	%	$V_{DD} = 40\text{ V}$ , $I_{DQ} = 60\text{ mA}$ , $P_{IN} = 27\text{ dBm}$
OQPSK <sup>3</sup>	ACLR	-	-36	-	dBc	$V_{DD} = 40\text{ V}$ , $I_{DQ} = 60\text{ mA}$ , $P_{OUT} = 33\text{ dBm}$
Output Mismatch Stress <sup>2</sup>	VSWR	-	10 : 1	-	$\Psi$	No damage at all phase angles, $V_{DS} = 40\text{ V}$ , $V_{gs} = -8\text{ V}$ , $P_{IN} = 27\text{ dBm}$

**Notes:**

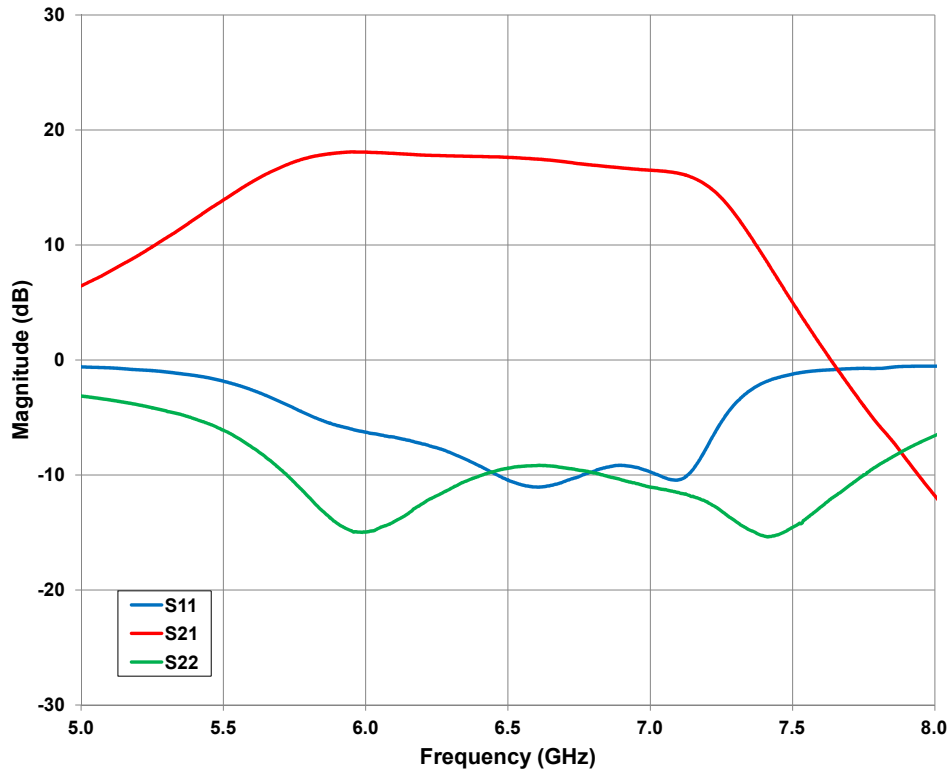
<sup>1</sup> Measured in CGHV1F006S-AMP1 Application Circuit

<sup>2</sup> Pulsed 100  $\mu\text{s}$ , 10% duty cycle

<sup>3</sup> OQPSK modulated signal, 1.6 msp, PN23, Alpha Filter = 0.2 Offset = 1.6 MHz

## Typical Performance - CGHV1F006S-AMP1 at C-Band Under OQPSK

**Figure 1. - Typical Small Signal Response of CGHV1F006S-AMP1 Application Circuit**  
 $V_{DD} = 40\text{ V}$ ,  $I_{DQ} = 60\text{ mA}$



## Typical Performance in Application Circuit CGHV1F006S-AMP1

Figure 2. - Typical Gain, Efficiency and OQPSK Performance vs Frequency

$P_{OUT} = 33 \text{ dBm}$ ,  $V_{DD} = 40 \text{ V}$ ,  $I_{DQ} = 60 \text{ mA}$

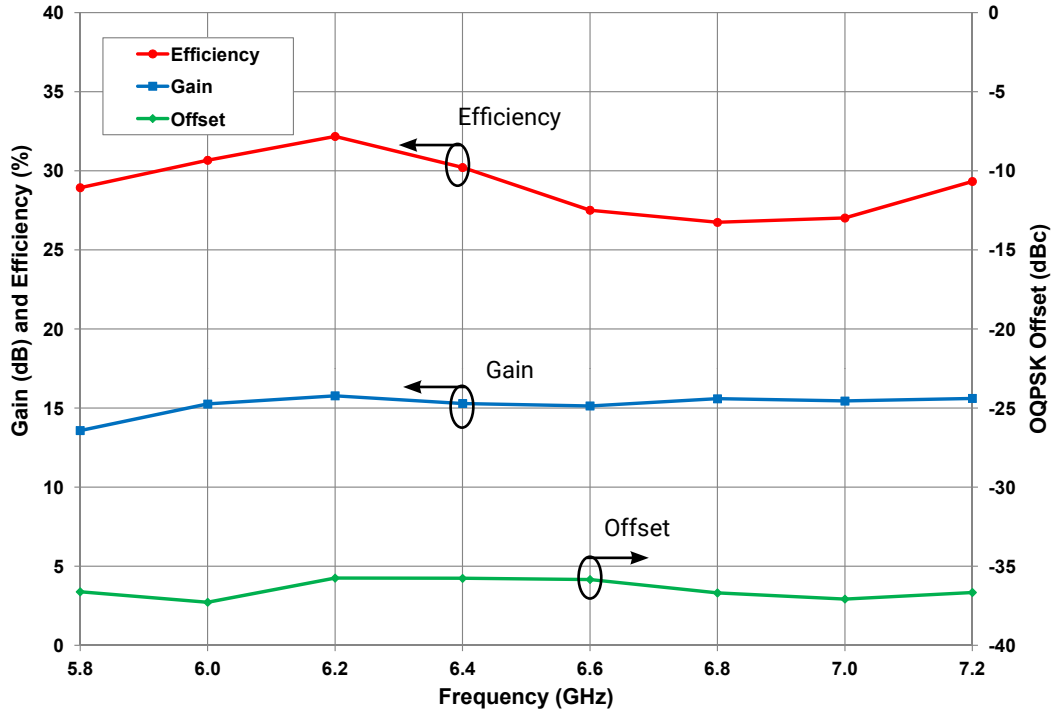
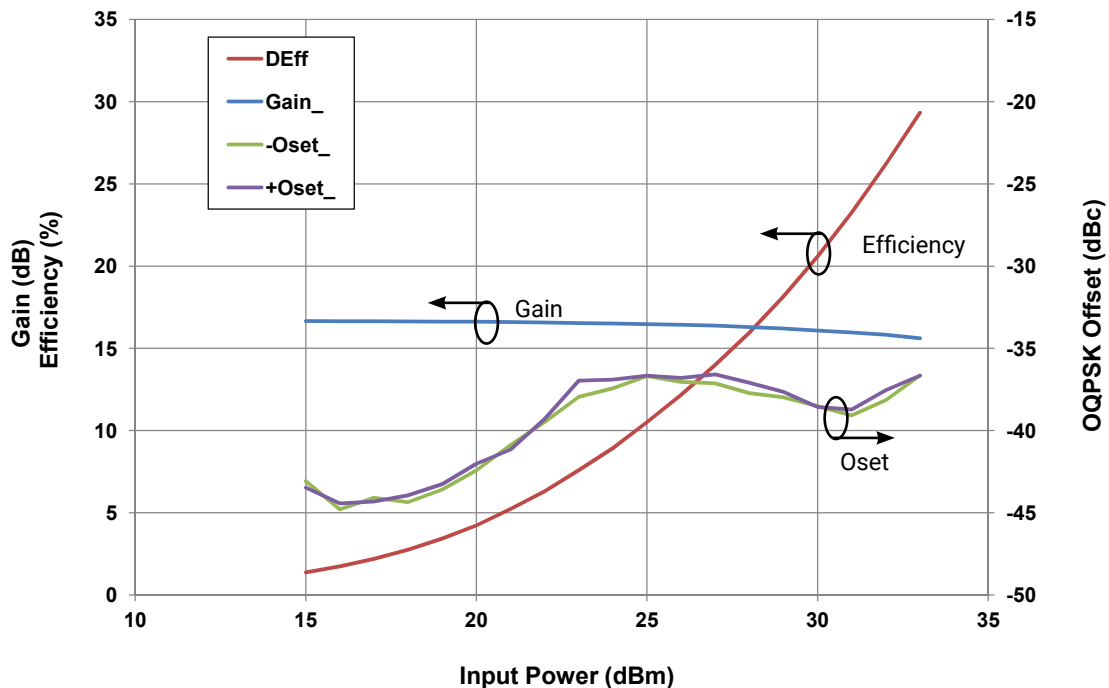


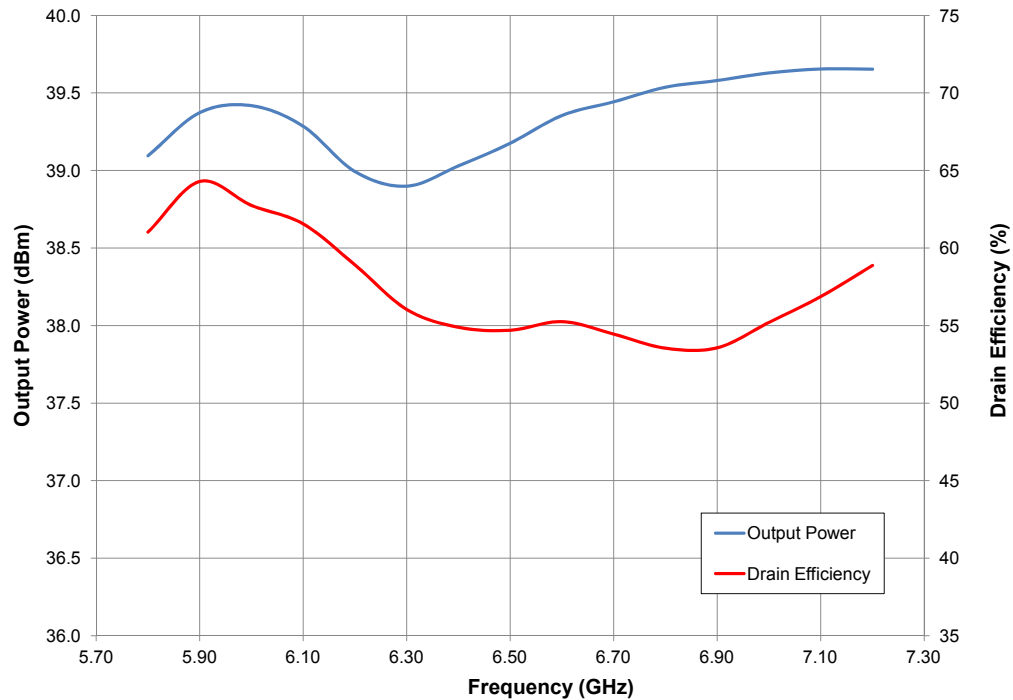
Figure 3. - Typical Gain, Efficiency and OQPSK Performance vs Input Power OQPSK Transfer

Frequency = 7.2 GHz,  $V_{DD} = 40 \text{ V}$ ,  $I_{DQ} = 60 \text{ mA}$



## Typical Performance in Application Circuit CGHV1F006S-AMP1

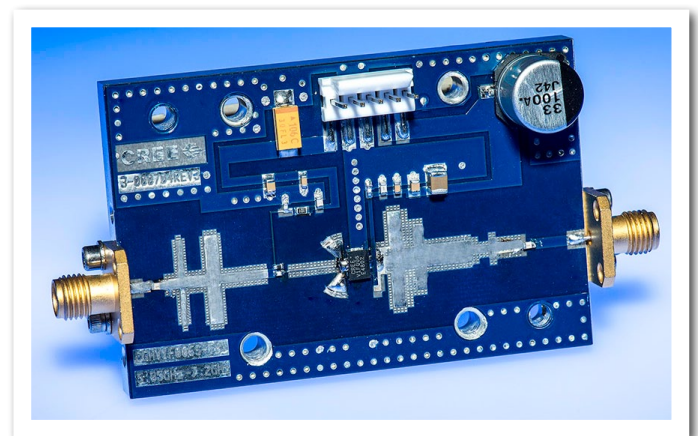
**Figure 4. - Typical Pulsed Power Response**  
 $V_{DD} = 40\text{ V}$ ,  $I_{DQ} = 60\text{ mA}$ ,  $100\ \mu\text{s}$ ,  $10\%$  Duty,  $P_{IN} = 27\text{ dBm}$



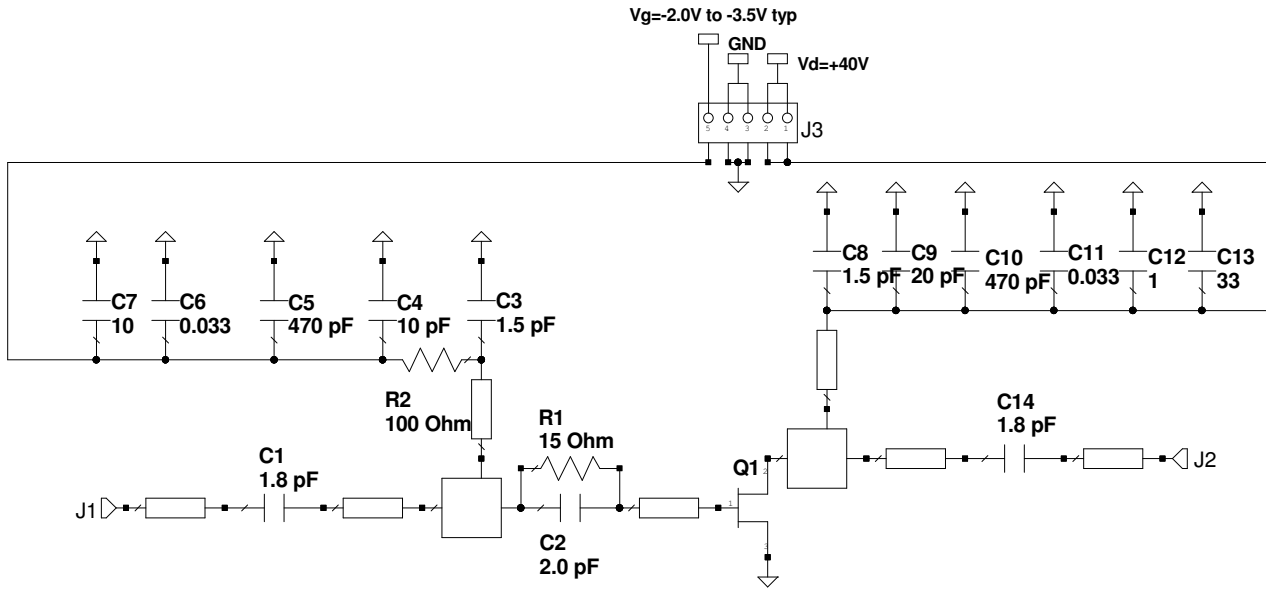
### CGHV1F006S-AMP1 Application Circuit Bill of Materials, QPSK

Designator	Description	Qty
R1	RES, 15, OHM, +1/-1%, 1/16 W, 0402	1
R2	RES, 100, OHM, +1/-1%, 1/16 W, 0603	1
C1, C14	CAP, 1.8 pF, ±0.1 pF, 0402, ATC	2
C2	CAP, 2.0 pF, ±0.1 pF, 0402, ATC	1
C3, C8	CAP, 1.5 pF, ±0.1 pF, 0402, ATC	2
C4	CAP, 10 pF, ±5%, 0603, ATC	1
C5, C10	CAP, 470 pF, 5%, 100 V, 0603, X	2
C6, C11	CAP, 33000 pF, 0805, 100V, X7R	2
C7	CAP, 10 uF, 16 V, TANTALUM	1
C9	CAP, 20 pF, ±5%, 0603, ATC	1
C12	CAP, 1.0 uF, 100V, 10% X7R, 1210	1
C13	CAP, 33 uF, 20%, G CASE	1
J1, J2	CONN, SMA, PANEL MOUNT JACK, FLANGE	2
	PCB, RT5880, 0.020" THK, CGHV1F006S	1
J3	HEADER RT>PLZ .1CEN LK 5POS	1
Q1	QFN TRANSISTOR CGHV1F006S	1

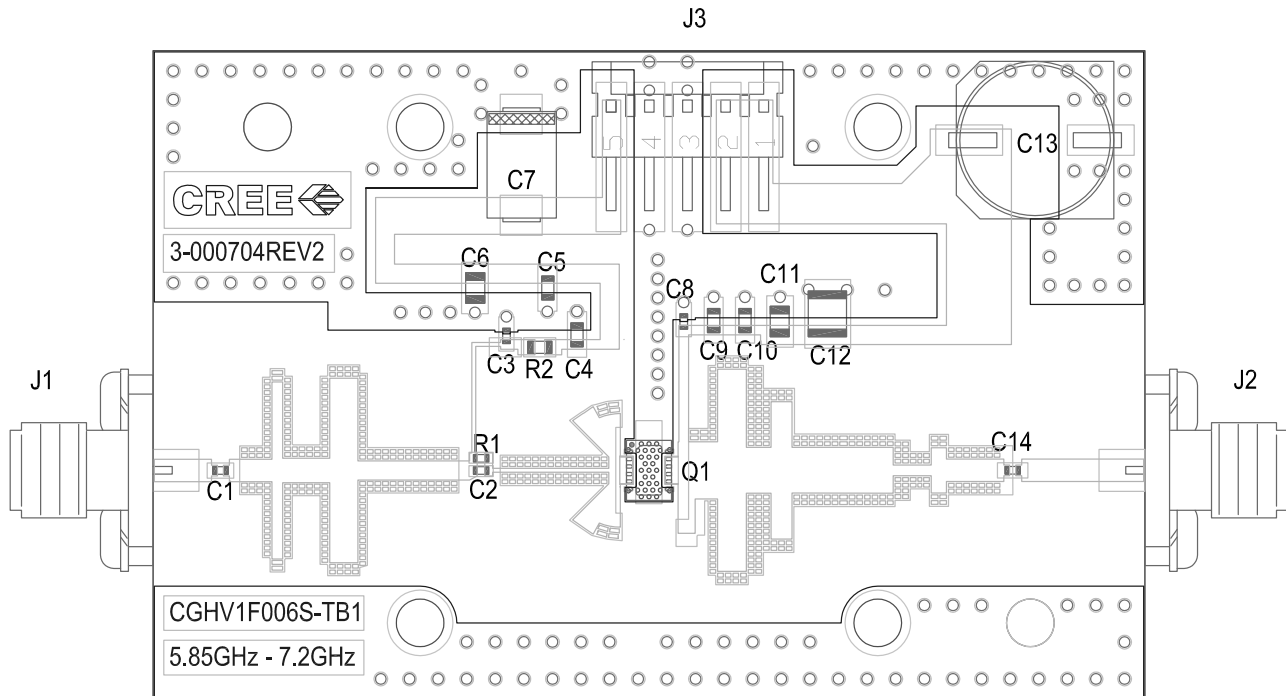
### CGHV1F006S-AMP1 Application Circuit



## CGHV1F006S-AMP1 Application Circuit Schematic, OQPSK



## CGHV1F006S-AMP1 Application Circuit Outline, OQPSK



## Electrical Characteristics When Tested in CGHV1F006S-AMP2 at X-Band, SATCOM

Characteristics	Symbol	Min.	Typ.	Max.	Units	Conditions
RF Characteristics <sup>1</sup> ( $T_c = 25^\circ\text{C}$ , $F_o = 7.9 - 8.4\text{ GHz}$ unless otherwise noted)						
Gain	G	-	15	-	dB	$V_{DD} = 40\text{ V}$ , $I_{DQ} = 60\text{ mA}$ , $P_{IN} = 0\text{ dBm}$
Output Power <sup>2</sup>	$P_{OUT}$	-	39	-	dBm	$V_{DD} = 40\text{ V}$ , $I_{DQ} = 60\text{ mA}$ , $P_{IN} = 28\text{ dBm}$
Drain Efficiency <sup>2</sup>	$\eta$	-	55	-	%	$V_{DD} = 40\text{ V}$ , $I_{DQ} = 60\text{ mA}$ , $P_{IN} = 28\text{ dBm}$
OQPSK <sup>3</sup>	ACLR	-	-37	-	dBc	$V_{DD} = 40\text{ V}$ , $I_{DQ} = 60\text{ mA}$ , $P_{OUT} = 33\text{ dBm}$
Output Mismatch Stress <sup>2</sup>	VSWR	-	10 : 1	-	Y	No damage at all phase angles, $V_{DD} = 40\text{ V}$ , $I_{DQ} = 60\text{ mA}$ , $P_{IN} = 28\text{ dBm}$

**Notes:**

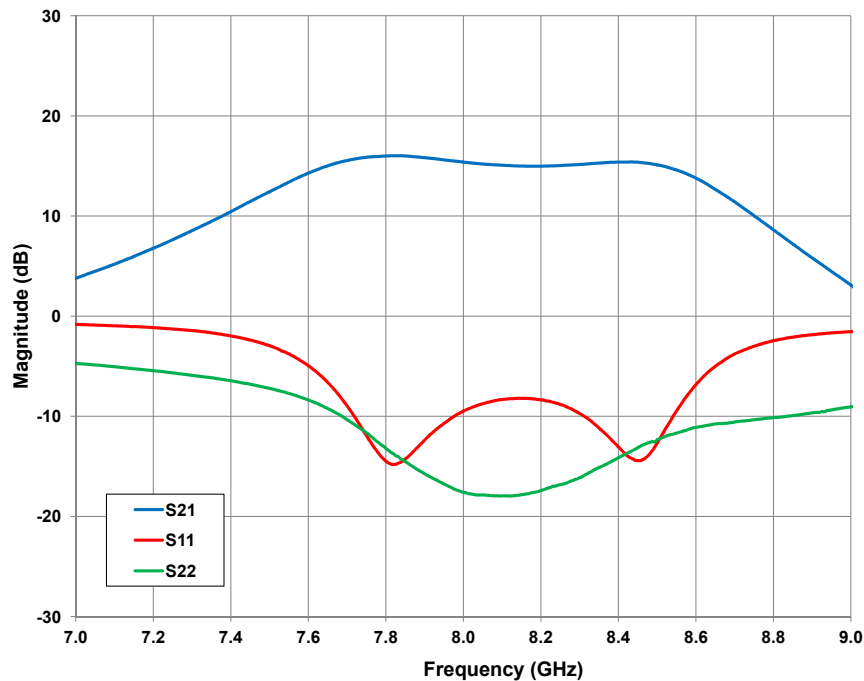
<sup>1</sup> Measured in CGHV1F006S-AMP2 Application Circuit

<sup>2</sup> Pulsed 100  $\mu\text{s}$ , 10% duty cycle

<sup>3</sup> OQPSK modulated signal, 1.6 msp, PN23, Alpha Filter = 0.2 Offset = 1.6 MHz

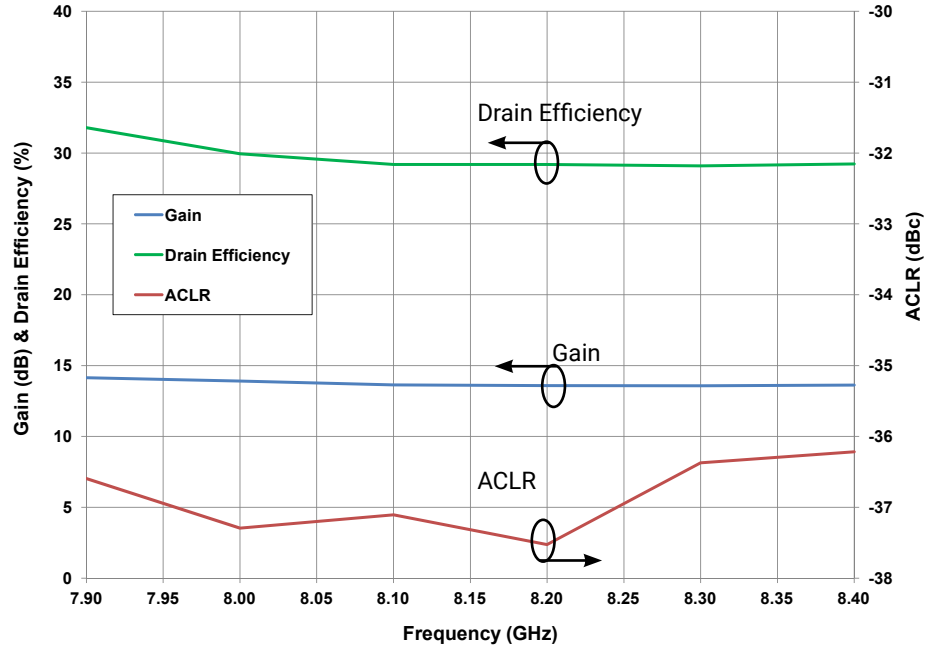
## Typical Performance in Application Circuit CGHV1F006S-AMP2 at X-Band, SATCOM

**Figure 5. - Typical Small Signal Response of CGHV1F006S-AMP2 Application Circuit**  
 $V_{DD} = 40\text{ V}$ ,  $I_{DQ} = 60\text{ mA}$



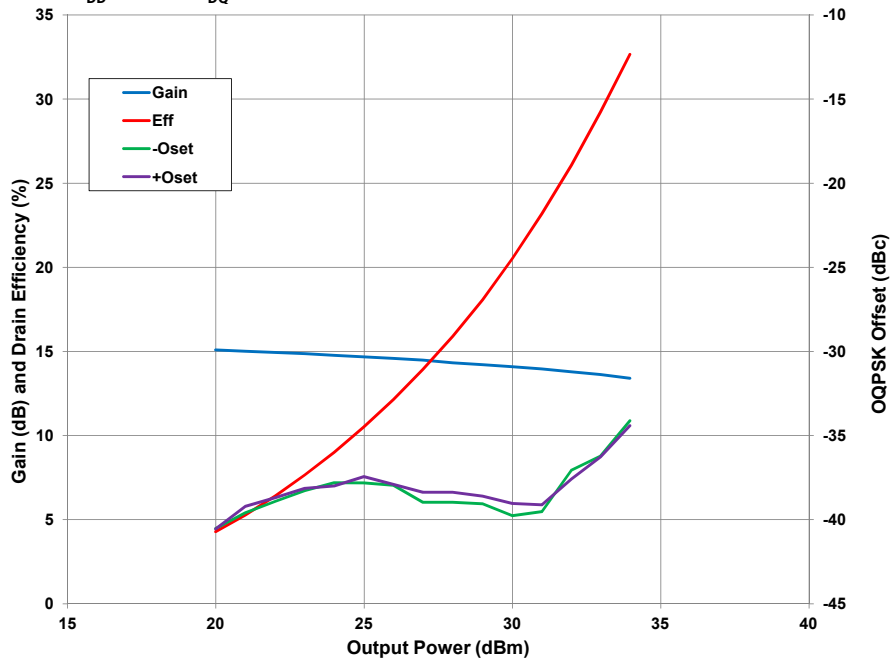
## Typical Performance in Application Circuit CGHV1F006S-AMP2

**Figure 6. - Typical OQPSK Response**  
 $V_{DD} = 40\text{ V}$ ,  $I_{DQ} = 60\text{ mA}$ ,  $1.6\text{ MSPS}$ ,  $P_{OUT} = 33\text{ dBm}$



## Typical Performance in Application Circuit CGHV1F006S-AMP2

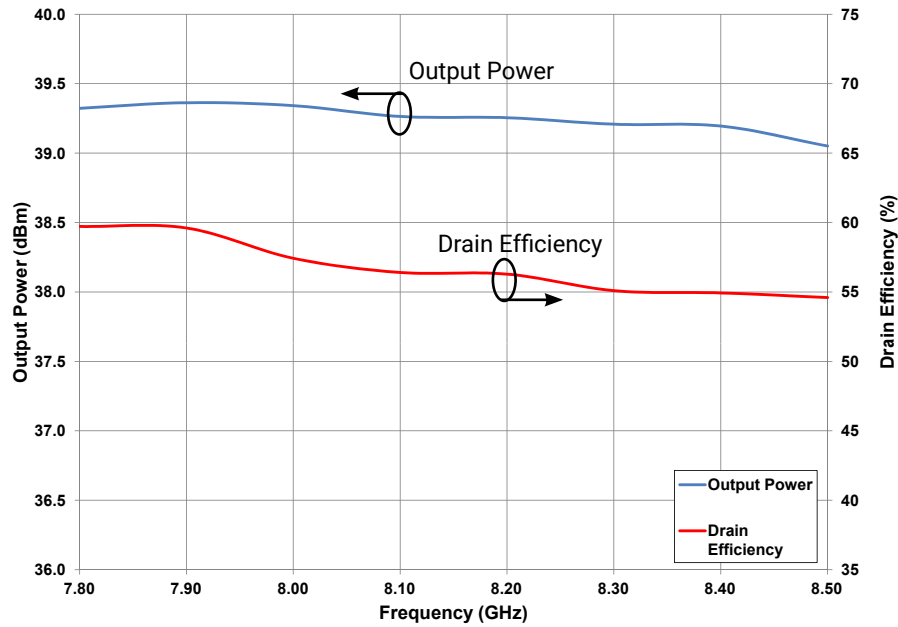
**Figure 7. - OQPSK Transfer Response**  
 $V_{DD} = 40\text{ V}$ ,  $I_{DQ} = 60\text{ mA}$ ,  $1.6\text{ MSPS}$ , Frequency = 8.4 GHz





## Typical Performance in Application Circuit CGHV1F006S-AMP2

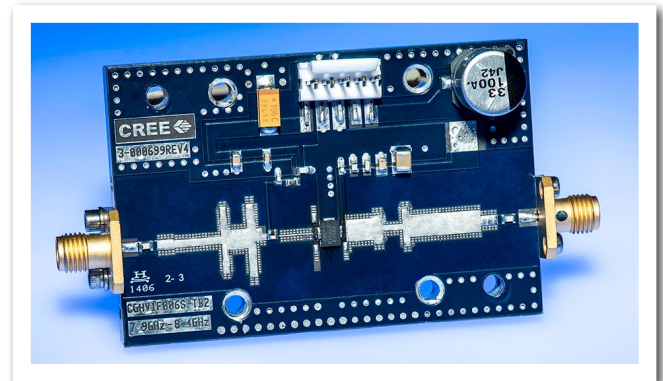
**Figure 8. - Typical Pulsed Power Response**  
 $V_{DD} = 40\text{ V}$ ,  $I_{DQ} = 60\text{ mA}$ ,  $100\ \mu\text{s}$ ,  $10\%$  Duty,  $P_{IN} = 28\text{ dBm}$



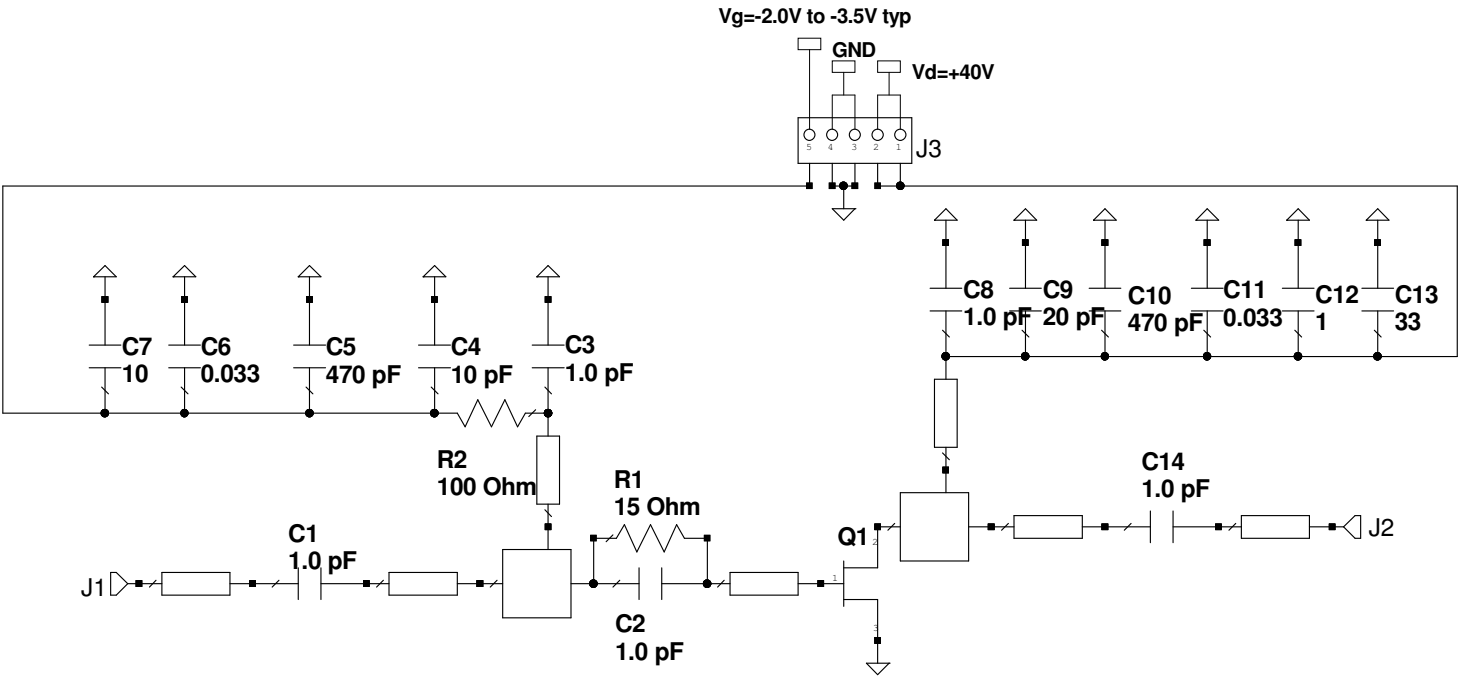
### CGHV1F006S-AMP2 Application Circuit Bill of Materials, SATCOM

Designator	Description	Qty
R1	RES, 15, OHM, +1/-1%, 1/16 W, 0402	1
R2	RES, 100, OHM, +1/-1%, 1/16 W, 0603	1
C2, C3, C8	CAP, 1.0 pF, ±0.05 pF, 0402, ATC	3
C1, C14	CAP, 10 pF, ±5%, 0603, ATC	2
C4	CAP, 10pF, ±5%, 0603, X	1
C5,C10	CAP, 470pF, 5%, 100V, 0603, X	2
C6, C11	CAP, 33000 pF, 0805, 100V, X7R	2
C7	CAP, 10 UF, 16 V, TANTALUM	1
C9	CAP, 20 pF, ±5%, 0603, ATC	1
C12	CAP, 1.0 UF, 100V, 10% X7R, 1210	1
C13	CAP, 33 UF, 20%, G CASE	1
J1, J2	CONN, SMA, PANEL MOUNT JACK, FLANGE	2
J3	HEADER RT>PLZ .1CEN LK 5POS	1
Q1	QFN TRANSISTOR CGHV1F006S	1

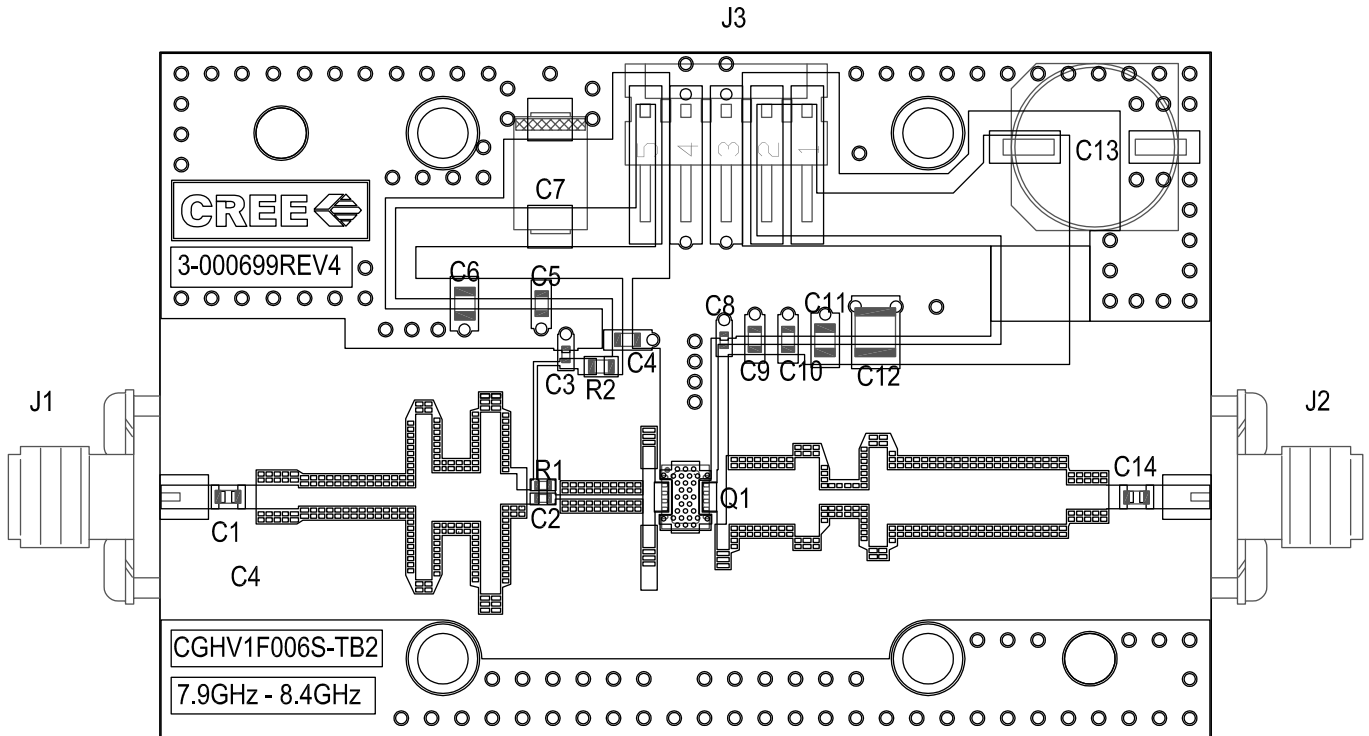
### CGHV1F006S-AMP2 Application Circuit



## CGHV1F006S-AMP2 Application Circuit Schematic, SATCOM



## CGHV1F006S-AMP2 Application Circuit Outline, SATCOM



## Electrical Characteristics When Tested in CGHV1F006S-AMP3 at X-Band, RADAR

Characteristics	Symbol	Min.	Typ.	Max.	Units	Conditions
RF Characteristics <sup>1</sup> ( $T_c = 25^\circ\text{C}$ , $F_0 = 8.5 - 9.6\text{ GHz}$ unless otherwise noted)						
Gain	G	-	14.5	-	dB	$V_{DD} = 40\text{ V}$ , $I_{DQ} = 60\text{ mA}$ , $P_{IN} = 0\text{ dBm}$
Output Power <sup>2</sup>	$P_{OUT}$	-	38.5	-	dBm	$V_{DD} = 40\text{ V}$ , $I_{DQ} = 60\text{ mA}$ , $P_{IN} = 28\text{ dBm}$
Drain Efficiency <sup>2</sup>	$\eta$	-	52	-	%	$V_{DD} = 40\text{ V}$ , $I_{DQ} = 60\text{ mA}$ , $P_{IN} = 28\text{ dBm}$
Output Mismatch Stress <sup>2</sup>	VSWR	-	10 : 1	-	Y	$V_{DD} = 40\text{ V}$ , $I_{DQ} = 60\text{ mA}$ , $P_{IN} = 28\text{ dBm}$

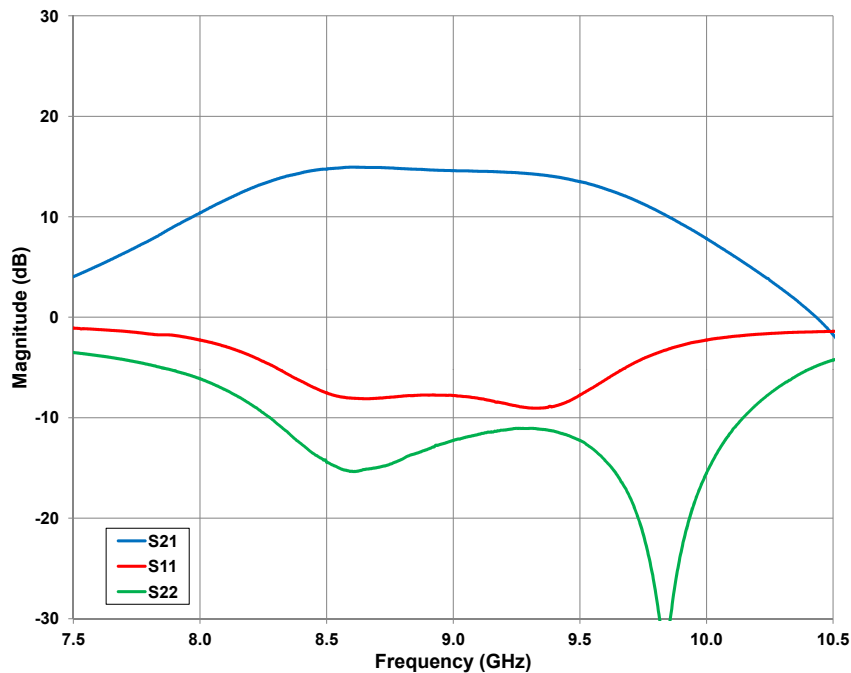
Notes:

<sup>1</sup> Measured in CGHV1F006S-AMP3 Application Circuit

<sup>2</sup> Pulsed 100  $\mu\text{s}$ , 10% duty cycle

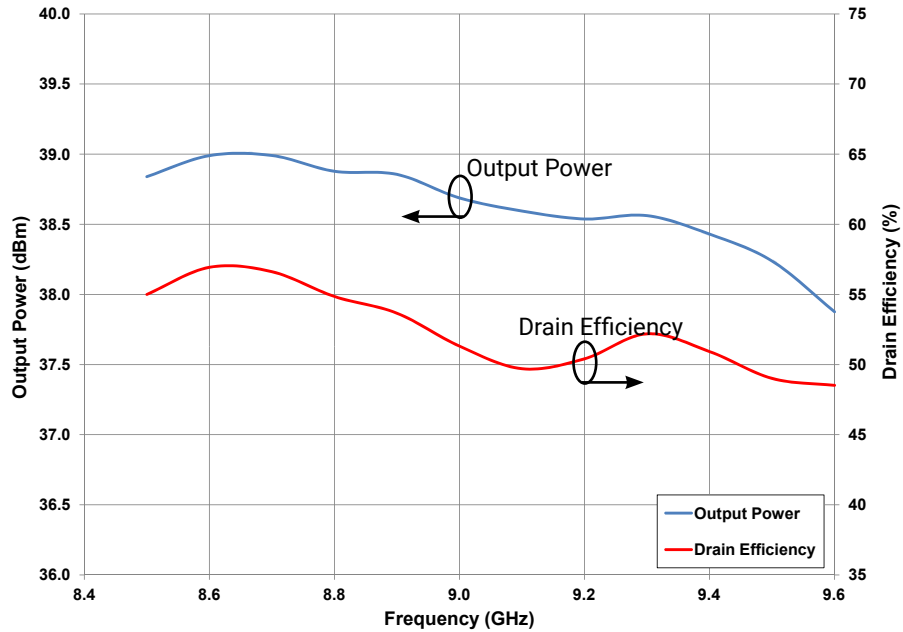
## Typical Performance in Application Circuit CGHV1F006S-AMP3 at X-Band, RADAR

Figure 9. - Typical Small Signal Response  
 $V_{DD} = 40\text{ V}$ ,  $I_{DQ} = 60\text{ mA}$



## Typical Performance in Application Circuit CGHV1F006S-AMP3

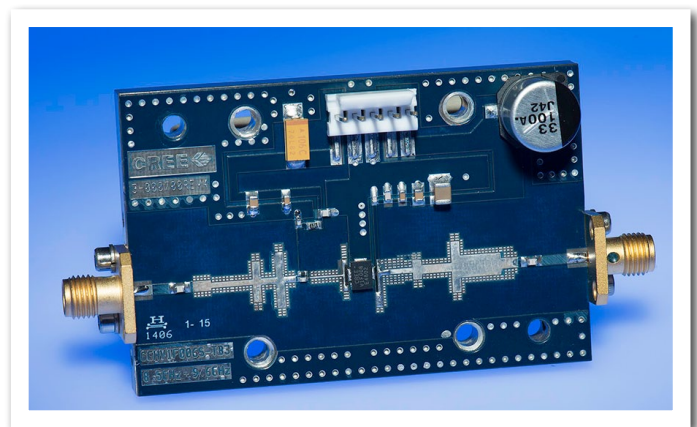
**Figure 10. - Typical Pulsed Power Response**  
 $V_{DD} = 40\text{ V}$ ,  $I_{DQ} = 60\text{ mA}$ ,  $100\ \mu\text{s}$ ,  $10\%$  Duty,  $P_{IN} = 28\text{ dBm}$



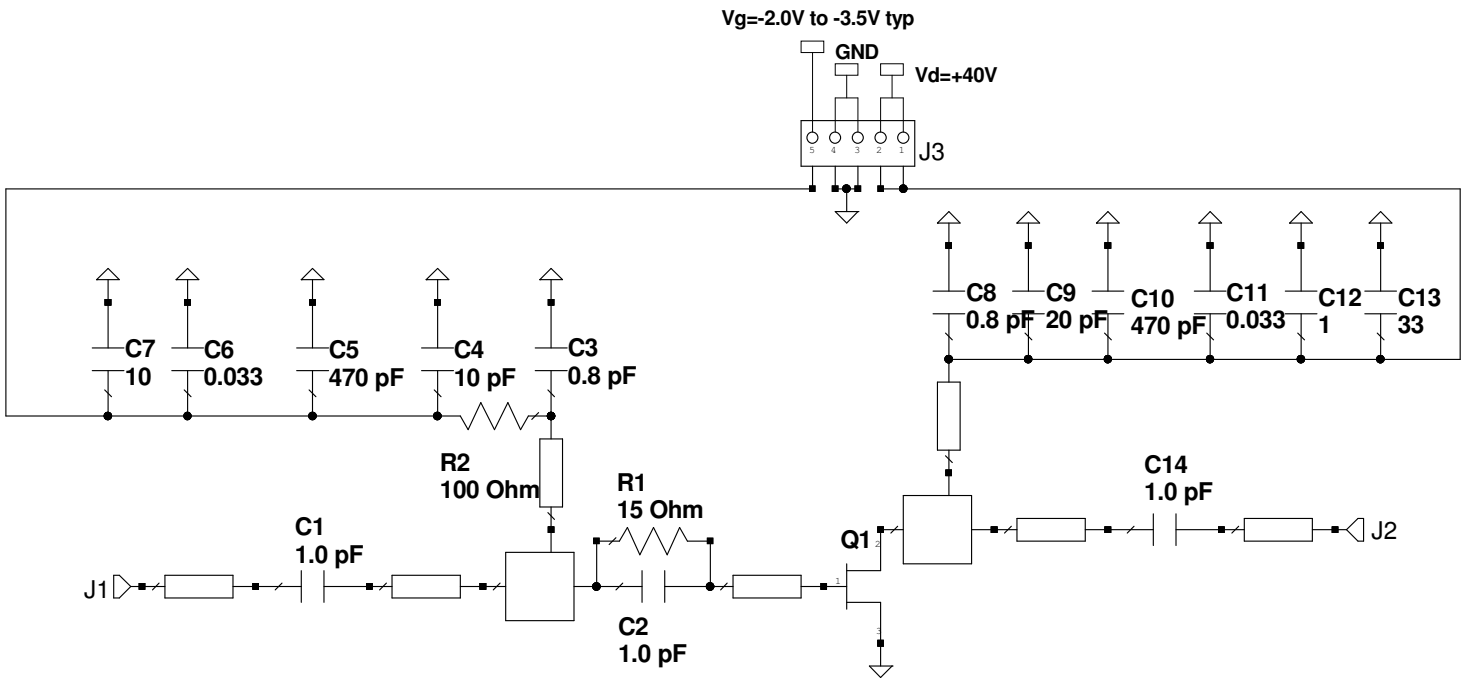
### CGHV1F006S-AMP3 Application Circuit Bill of Materials, RADAR

Designator	Description	Qty
R1	RES, 15, OHM, +1/-1%, 1/16 W, 0402	1
R2	RES, 100, OHM, +1/-1%, 1/16 W, 0603	1
C1, C14	CAP, 1.0 pF, $\pm 0.05$ pF, 0603, ATC	2
C2	CAP, 1.0 pF, $\pm 0.05$ pF, 0402, ATC	1
C3, C8	CAP, 0.8 pF, $\pm 0.05$ pF, 0402, ATC	2
C4	CAP, 10 pF, $\pm 5\%$ , 0603, ATC	1
C5, C10	CAP, 470 pF, 5%, 100 V, 0603, X	2
C6, C11	CAP, 33000 pF, 0805, 100V, X7R	2
C7	CAP, 10 UF, 16 V, TANTALUM	1
C9	CAP, 20 pF, $\pm 5\%$ , 0603, ATC	1
C12	CAP, 1.0 UF, 100V, 10% X7R, 1210	1
C13	CAP, 33 UF, 20%, G CASE	1
J1, J2	CONN, SMA, PANEL MOUNT JACK, FLANGE	2
J3	HEADER RT>PLZ .1CEN LK 5POS	1
Q1	QFN TRANSISTOR CGHV1F006S	1

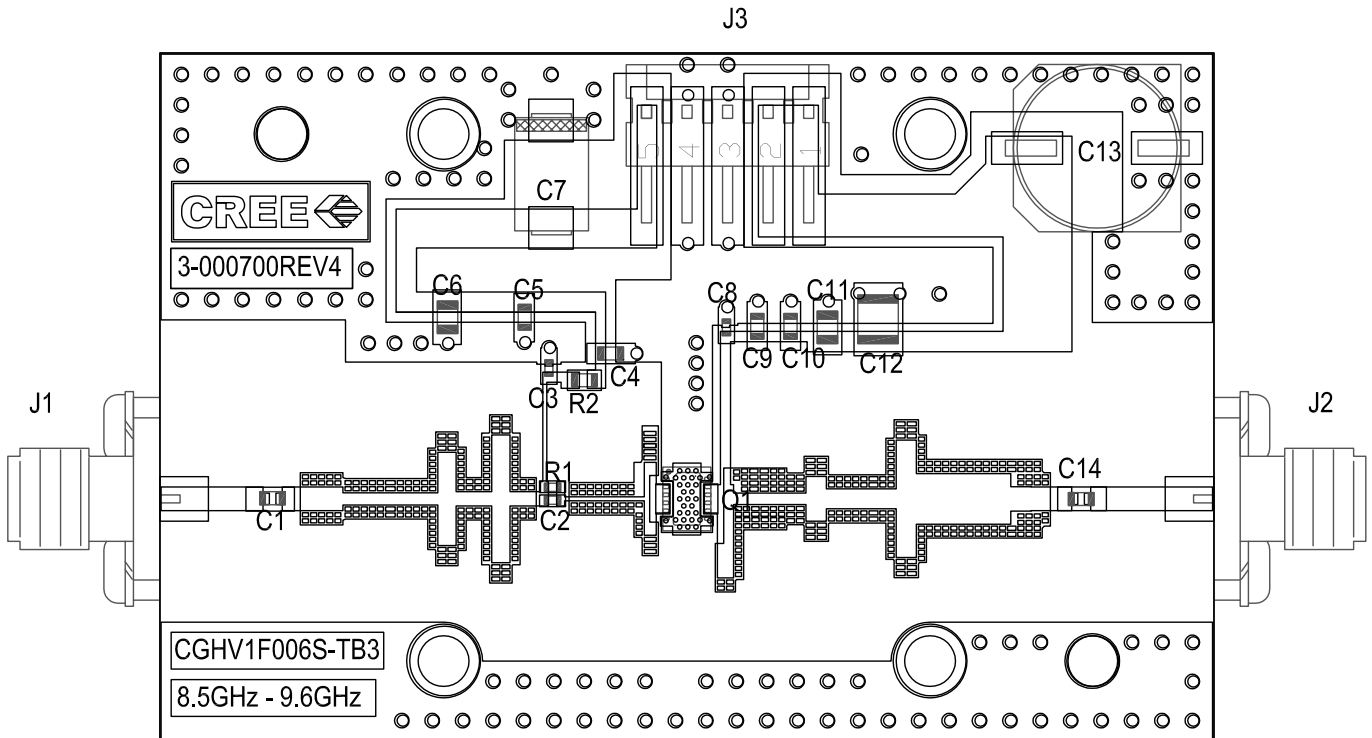
### CGHV1F006S-AMP3 Application Circuit



## CGHV1F006S-AMP3 Application Circuit Schematic, RADAR



## CGHV1F006S-AMP3 Application Circuit Outline, RADAR



## Electrical Characteristics When Tested in CGHV1F006S-AMP4 at 802.11

Characteristics	Symbol	Min.	Typ.	Max.	Units	Conditions
RF Characteristics <sup>1</sup> ( $T_c = 25^\circ\text{C}$ , $F_o = 4.9 - 5.9\text{ GHz}$ unless otherwise noted)						
Gain	G	-	13	-	dB	$V_{DD} = 20\text{ V}$ , $I_{DQ} = 30\text{ mA}$ , $P_{IN} = 27\text{ dBm}$
Drain Efficiency <sup>2</sup>	$\eta$	-	27	-	%	$V_{DD} = 20\text{ V}$ , $I_{DQ} = 30\text{ mA}$ , $P_{IN} = 27\text{ dBm}$
OQPSK <sup>3</sup>	ACLR	-	-43	-	dBc	$V_{DD} = 20\text{ V}$ , $I_{DQ} = 30\text{ mA}$ , $P_{OUT} = 27\text{ dBm}$
Output Mismatch Stress <sup>2</sup>	VSWR	-	10 : 1	-	Y	No damage at all phase angles, $V_{DD} = 20\text{ V}$ , $I_{DQ} = 30\text{ mA}$ , $P_{IN} = 27\text{ dBm}$

**Notes:**

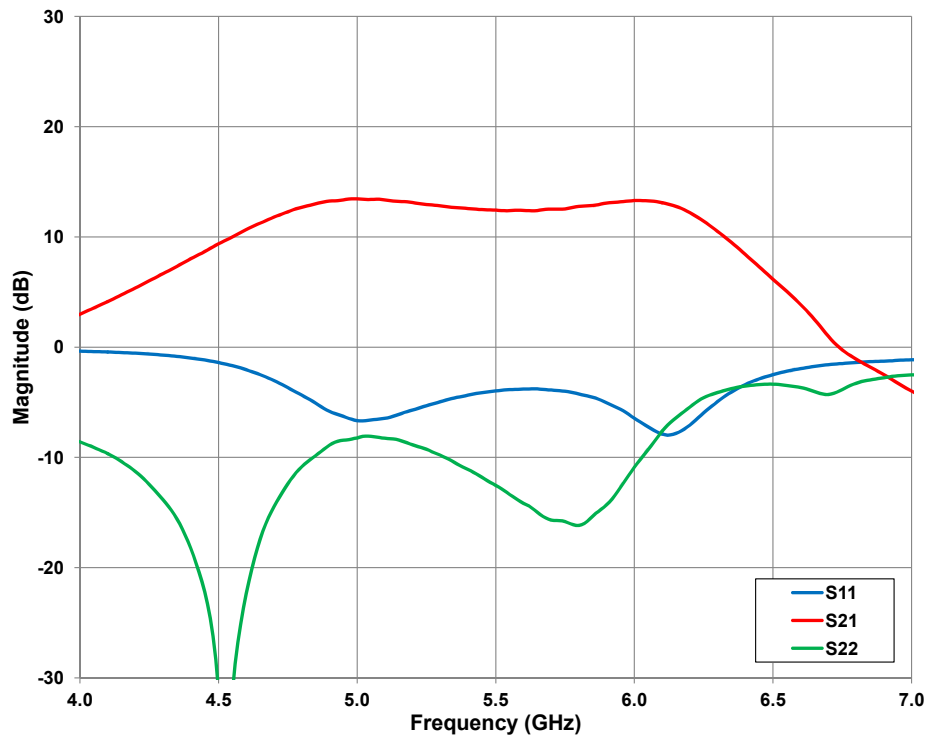
<sup>1</sup> Measured in CGHV1F006S-AMP4 Application Circuit

<sup>2</sup> Single carrier WCDMA, 3GPP Test Model 1, G4 DPCH, 45% clipping, PAR = 7.5 dB @ 0.01% probability on CCDF

## Typical Performance - CGHV1F006S-AMP4 at 802.11

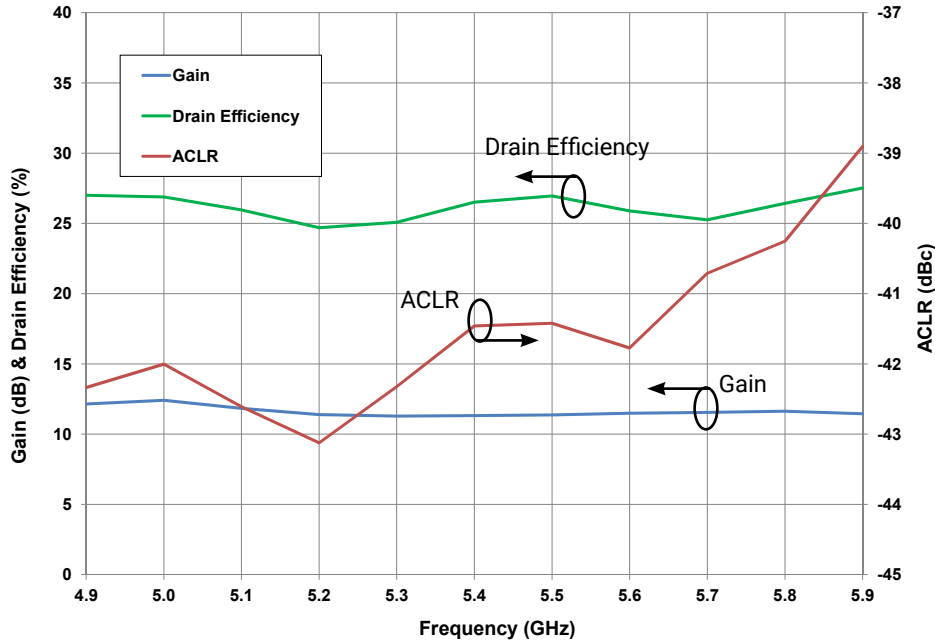
**Figure 11. - Typical Small Signal Response**

$V_{DD} = 20\text{ V}$ ,  $I_{DQ} = 30\text{ mA}$



## Typical Performance in Application Circuit CGHV1F006S-AMP4

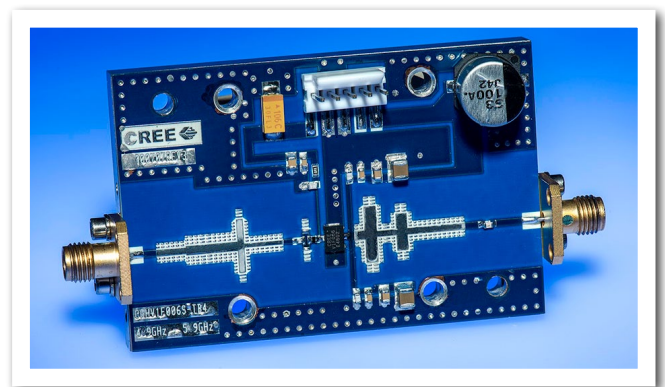
**Figure 12. - Typical Gain, Efficiency and WCDMA Performance vs Frequency**  
 $V_{DD} = 20\text{ V}$ ,  $I_{DQ} = 30\text{ mA}$ ,  $P_{OUT} = 27\text{ dBm}$



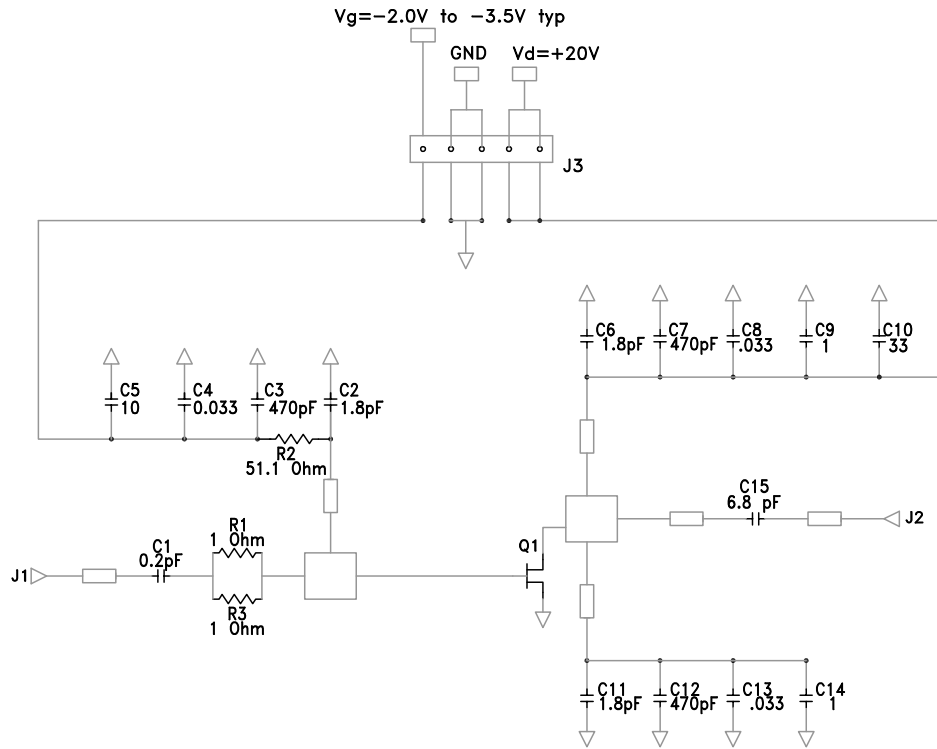
### CGHV1F006S-AMP4 Application Circuit Bill of Materials at 802.11

Designator	Description	Qty
R1, R3	RES, 1, OHM, +/-1%, 1/16 W, 0402	2
R2	RES, 51.1, OHM, +/-1%, 1/16W, 0603	1
C2, C6, C11	CAP, 1.8 pF, +/-0.1 pF, 0603, ATC	3
C1	CAP, 0.2 pF, +/-0.05 pF, 0402, ATC	1
C3, C7, C12	CAP, 470 pF, 5%, 100 V, 0603, X	3
C4, C8, C13	CAP, 33000 pF, 0805, 100 V, X7R	3
C5	CAP, 10 UF, 16 V, TANTALUM	1
C15	CAP, 6.8 pF, ±0.25 pF, 100 V, 0603	1
C9, C14	CAP, 1.0 UF, 100V, 10% X7R, 1210	2
C10	CAP, 33 UF, 20%, G CASE	1
J1, J2	CONN, SMA, PANEL MOUNT JACK, FLANGE	2
	PCB, RT5880, 0.020" THK, CGHV1F006S	1
	BASEPLATE, CGH35015, 2.60 X 1.7	1
J3	HEADER RT>PLZ .1CEN LK 5POS	1
	2-56 SOC HD SCREW 1/4 SS	4
	#2 SPLIT LOCKWASHER SS	4
Q1	QFN TRANSISTOR CGHV1F006S	1

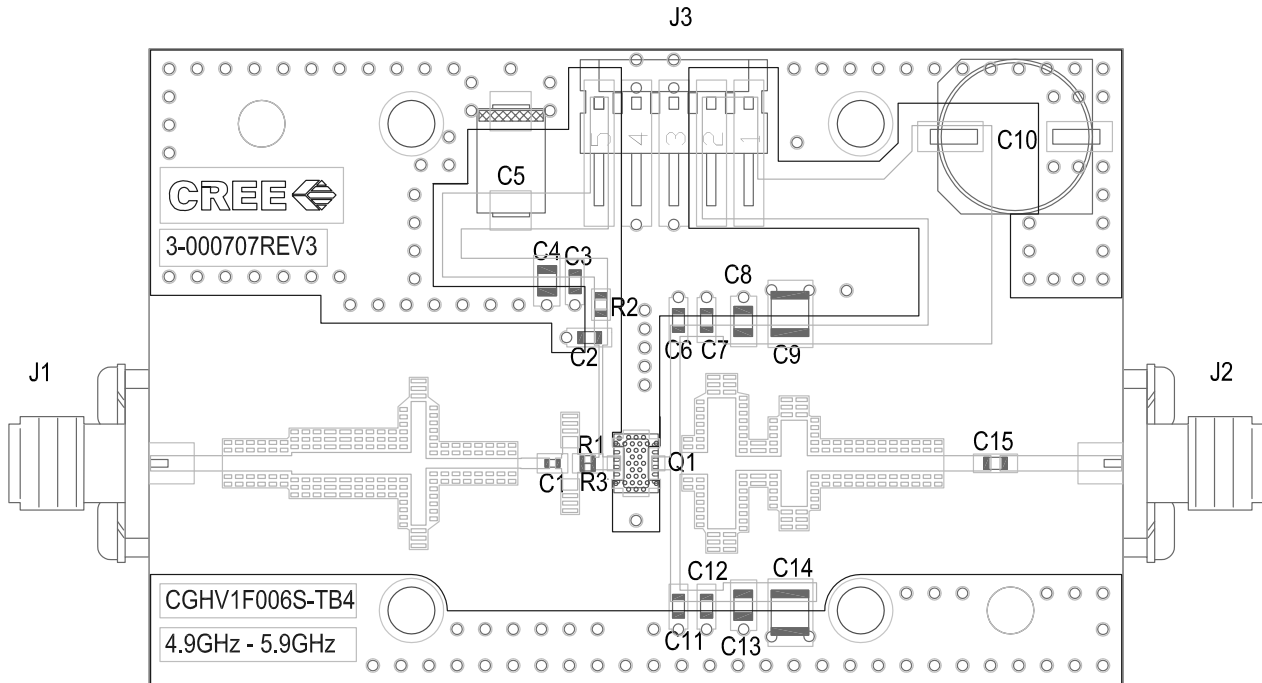
### CGHV1F006S-AMP4 Application Circuit



## CGHV1F006S-AMP4 Application Circuit Schematic



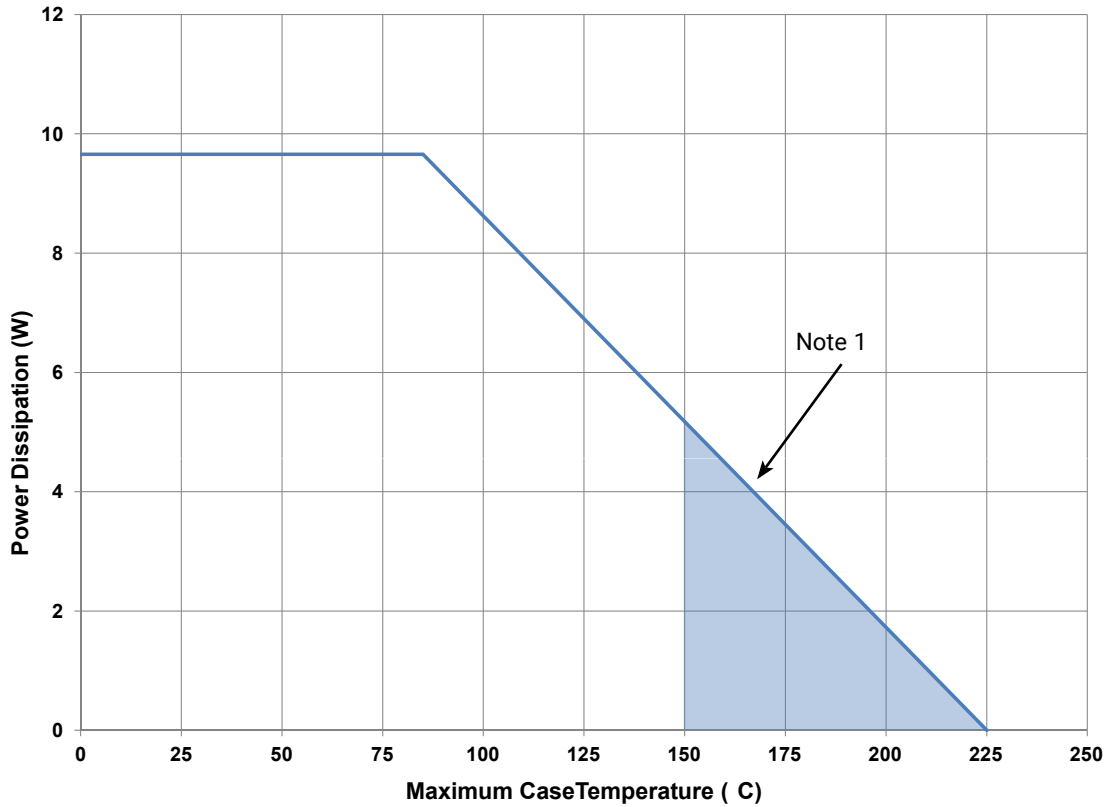
## CGHV1F006S-AMP4 Application Circuit Outline





## CGHV1F006S Power Dissipation De-rating Curve

Figure 13. - CGHV1F006S Transient Power Dissipation De-Rating Curve

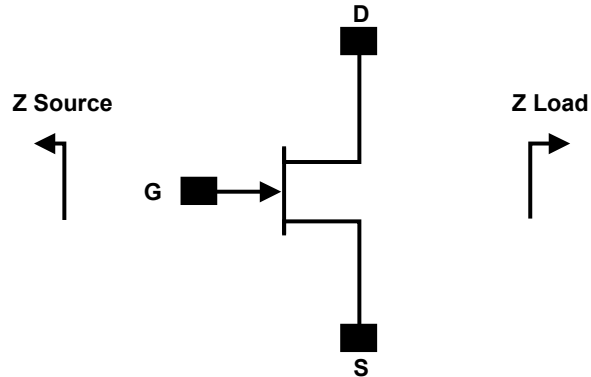


Note 1. Area exceeds Maximum Case Temperature (See Page 2).

## Electrostatic Discharge (ESD) Classifications

Parameter	Symbol	Class	Test Methodology
Human Body Model	HBM	1A (> 250 V)	JEDEC JESD22 A114-D
Charge Device Model	CDM	2 (125 V to 250 V)	JEDEC JESD22 C101-C

## Source and Load Impedances

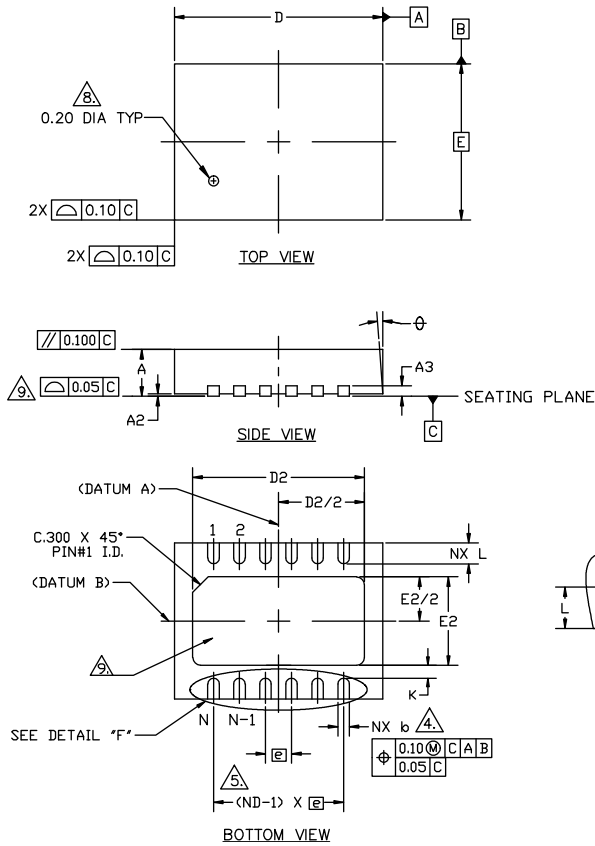


Frequency (GHz)	Z Source	Z Load
1	49.67 + j32.81	184.11 + j6.66
3	11.54 + j3.96	38.83 + j56.37
6	5.94 - j17.97	13.03 + j16.16
10	11.87 - j77.62	11.79 - j17.43
12	47.42 - j205.35	16.39 - j46.22
15	33.78 + j251.03	163.61 - j268.44

Note<sup>1</sup>:  $V_{DD} = 40\text{ V}$ ,  $I_{DQ} = 60\text{ mA}$

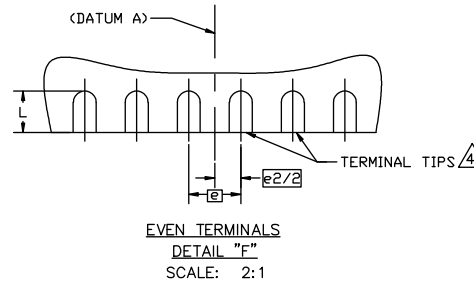
Note<sup>2</sup>: Impedances are extracted from source and load pull data derived from the transistor.

## Product Dimensions CGHV1F006S (Package 3 x 4 DFN)



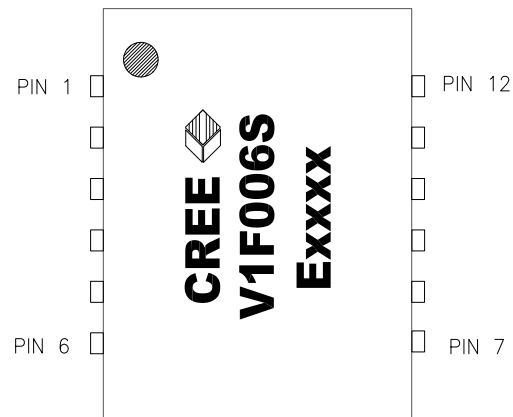
### NOTES :

1. DIMENSIONING AND TOLERANCING CONFORM TO ASME Y14.5M – 1994.
2. ALL DIMENSIONS ARE IN MILLIMETERS,  $\phi$  IS IN DEGREES.
3. N IS THE TOTAL NUMBER OF TERMINALS.
4. DIMENSION b APPLIES TO METALLIZED TERMINAL AND IS MEASURED BETWEEN .15 AND .30mm FROM TERMINAL TIP. IF THE TERMINAL HAS THE OPTIONAL RADIUS ON THE OTHER END OF THE TERMINAL, THE DIMENSION b SHOULD NOT BE MEASURED IN THAT RADIUS AREA.
5. ND REFERS TO THE NUMBER OF TERMINALS ON D SIDE
6. MAXIMUM PACKAGE WARPAGE IS .05 mm.
7. MAXIMUM ALLOWABLE BURRS IS .076 mm IN ALL DIRECTIONS.
8. PIN #1 ID ON TOP WILL BE LASER MARKED.
9. UNILATERAL COPLANARITY ZONE APPLIES TO THE EXPOSED HEAT SINK SLUG AS WELL AS THE TERMINALS.



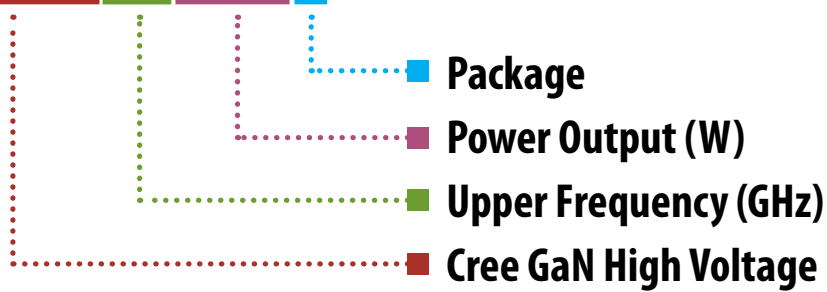
COMMON DIMENSIONS				No. of Terminals
	MIN.	NOM.	MAX.	
A	0.80	0.85	0.90	
A1	0.00	0.02	0.05	
A3	0.203 REF.			
$\phi$	0	—	12	2
D	4.00 BSC			
E	3.00 BSC			
$\square$	0.50 BSC			
N	6			
ND	12			3
L	0.35	0.40	0.45	
b	0.17	0.22	0.27	
D2	3.20	3.30	3.40	
E2	1.60	1.7	1.80	
K	0.20	—	—	

Pin	Input/Output
1	GND
2	NC
3	RF IN
4	RF IN
5	NC
6	GND
7	GND
8	NC
9	RF OUT
10	RF OUT
11	NC
12	GND



Note: Leadframe finish for 3x4 DFN package is Nickel/Palladium/Gold. Gold is the outer layer.

### CGHV1F006S



Parameter	Value	Units
Upper Frequency <sup>1</sup>	15.0	GHz
Power Output	6	W
Package	Surface Mount	-

**Table 1.**

**Note<sup>1</sup>:** Alpha characters used in frequency code indicate a value greater than 9.9 GHz. See Table 2 for value.

Character Code	Code Value
A	0
B	1
C	2
D	3
E	4
F	5
G	6
H	7
J	8
K	9
Examples:	1A = 10.0 GHz 2H = 27.0 GHz

**Table 2.**

## Product Ordering Information

Order Number	Description	Unit of Measure
CGHV1F006S	GaN HEMT	Each
CGHV1F006S-TB	Test board without GaN HEMT	Each
CGHV1F006-AMP1	Test board with GaN HEMT installed	Each



## Disclaimer

Specifications are subject to change without notice. Cree, Inc. believes the information contained within this data sheet to be accurate and reliable. However, no responsibility is assumed by Cree for any infringement of patents or other rights of third parties which may result from its use. No license is granted by implication or otherwise under any patent or patent rights of Cree. Cree makes no warranty, representation or guarantee regarding the suitability of its products for any particular purpose. "Typical" parameters are the average values expected by Cree in large quantities and are provided for information purposes only. These values can and do vary in different applications and actual performance can vary over time. All operating parameters should be validated by customer's technical experts for each application. Cree products are not designed, intended or authorized for use as components in applications intended for surgical implant into the body or to support or sustain life, in applications in which the failure of the Cree product could result in personal injury or death or in applications for planning, construction, maintenance or direct operation of a nuclear facility.

For more information, please contact:

Cree, Inc.  
4600 Silicon Drive  
Durham, North Carolina, USA 27703  
[www.cree.com/rf](http://www.cree.com/rf)

Sarah Miller  
Marketing  
Cree, RF Components  
1.919.407.5302

Ryan Baker  
Marketing & Sales  
Cree, RF Components  
1.919.407.7816

Tom Dekker  
Sales Director  
Cree, RF Components  
1.919.313.5639

Компания «Океан Электроники» предлагает заключение долгосрочных отношений при поставках импортных электронных компонентов на взаимовыгодных условиях!

Наши преимущества:

- Поставка оригинальных импортных электронных компонентов напрямую с производств Америки, Европы и Азии, а так же с крупнейших складов мира;
- Широкая линейка поставок активных и пассивных импортных электронных компонентов (более 30 млн. наименований);
- Поставка сложных, дефицитных, либо снятых с производства позиций;
- Оперативные сроки поставки под заказ (от 5 рабочих дней);
- Экспресс доставка в любую точку России;
- Помощь Конструкторского Отдела и консультации квалифицированных инженеров;
- Техническая поддержка проекта, помощь в подборе аналогов, поставка прототипов;
- Поставка электронных компонентов под контролем ВП;
- Система менеджмента качества сертифицирована по Международному стандарту ISO 9001;
- При необходимости вся продукция военного и аэрокосмического назначения проходит испытания и сертификацию в лаборатории (по согласованию с заказчиком);
- Поставка специализированных компонентов военного и аэрокосмического уровня качества (Xilinx, Altera, Analog Devices, Intersil, Interpoint, Microsemi, Actel, Aeroflex, Peregrine, VPT, Syfer, Eurofarad, Texas Instruments, MS Kennedy, Miteq, Cobham, E2V, MA-COM, Hittite, Mini-Circuits, General Dynamics и др.);

Компания «Океан Электроники» является официальным дистрибьютором и эксклюзивным представителем в России одного из крупнейших производителей разъемов военного и аэрокосмического назначения «JONHON», а так же официальным дистрибьютором и эксклюзивным представителем в России производителя высокотехнологичных и надежных решений для передачи СВЧ сигналов «FORSTAR».



## JONHON

«JONHON» (основан в 1970 г.)

Разъемы специального, военного и аэрокосмического назначения:

(Применяются в военной, авиационной, аэрокосмической, морской, железнодорожной, горно- и нефтедобывающей отраслях промышленности)

«FORSTAR» (основан в 1998 г.)

ВЧ соединители, коаксиальные кабели, кабельные сборки и микроволновые компоненты:

(Применяются в телекоммуникациях гражданского и специального назначения, в средствах связи, РЛС, а так же военной, авиационной и аэрокосмической отраслях промышленности).



Телефон: 8 (812) 309-75-97 (многоканальный)

Факс: 8 (812) 320-03-32

Электронная почта: [ocean@oceanchips.ru](mailto:ocean@oceanchips.ru)

Web: <http://oceanchips.ru/>

Адрес: 198099, г. Санкт-Петербург, ул. Калинина, д. 2, корп. 4, лит. А