

Precision Monolithic Low-Voltage CMOS Analog Switches

DESCRIPTION

The DG417L, DG418L, DG419L are low voltage pin-for-pin compatible companion devices to the industry standard DG417, DG418, DG419 with improved performance. Using BiCMOS wafer fabrication technology allows the DG417L, DG418L, DG419L to operate on single and dual supplies. Single supply voltage ranges from 3 V to 12 V while dual supply operation is recommended with ± 3 V to ± 6 V. Combining high speed (t_{ON} : 28 ns), flat R_{ON} over the analog signal range (6 Ω), minimal insertion loss (up to 100 MHz), and excellent crosstalk and off-isolation performance (-70 dB at 1 MHz), the DG417L, DG418L, DG419L are ideally suited for audio and video signal switching. The DG417L and DG418L respond to opposite control logic as shown in the truth table. The DG419L has an SPDT configuration.

FEATURES

- 2.7 V- thru 12 V single supply or ± 3 - thru ± 6 dual supply
- On-resistance - R_{ON} : 14 Ω
- Fast switching - t_{ON} : 28 ns
- t_{OFF} : 13 ns
- TTL, CMOS compatible
- Low leakage: < 100 pA
- **Compliant to RoHS Directive 2002/95/EC**



RoHS*
COMPLIANT

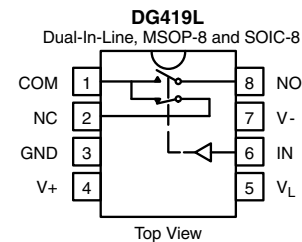
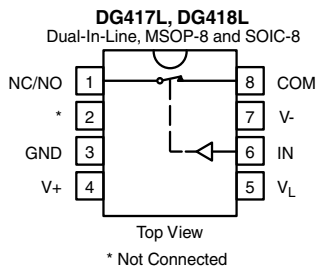
APPLICATIONS

- Precision automatic test equipment
- Precision data acquisition
- Communication systems
- Battery powered systems
- Computer peripherals
- SDSL, DSLAM
- Audio and video signal routing

BENEFITS

- Widest dynamic range
- Low signal errors and distortion
- Break-before-make switching action
- Simple interfacing

FUNCTIONAL BLOCK DIAGRAM AND PIN CONFIGURATION



| TRUTH TABLE | | |
|-------------|--------|--------|
| Logic | DG417L | DG418L |
| 0 | ON | OFF |
| 1 | OFF | ON |

| TRUTH TABLE (DG419L) | | |
|----------------------|-----|-----|
| Logic | NC | NO |
| 0 | ON | OFF |
| 1 | OFF | ON |

| ORDERING INFORMATION (DG417L, DG418L) | | |
|---------------------------------------|-------------------|--|
| Temp. Range | Package | Part Number |
| | 8-Pin Narrow SOIC | DG417LDY DG417LDY-E3 DG417LDY-T1 DG417LDY-T1-E3 |
| | | DG418LDY DG418LDY-E3 DG418LDY-T1 DG418LDY-T1-E3 |
| | 8-Pin MSOP | DG417LDQ-T1-E3 DG418LDQ-T1-E3 |

| ORDERING INFORMATION (DG419L) | | |
|-------------------------------|-------------------|--|
| Temp. Range | Package | Part Number |
| - 40 °C to 85 °C | 8-Pin Narrow SOIC | DG419LDY DG419LDY-E3 DG419LDY-T1 DG419LDY-T1-E3 |
| | 8-Pin MSOP | DG419LDQ-T1-E3 |

* Pb containing terminations are not RoHS compliant, exemptions may apply

| ABSOLUTE MAXIMUM RATINGS | | | |
|---|---|-------------|----|
| Parameter | Limit | Unit | |
| V+ to V- | - 0.3 to 13 | V | |
| GND to V- | 7 | | |
| V _L | (GND - 0.3) to (V+) + 0.3 | | |
| I _N , COM, NC, NO ^a | - 0.3 to (V+ + 0.3) or 30 mA, whichever occurs first | | |
| Continuous Current (Any Terminal) | 30 | mA | |
| Peak Current, S or D (Pulsed 1 ms, 10 % Duty Cycle) | 100 | | |
| Storage Temperature | (AK, DQ, DY Suffix) | - 65 to 150 | °C |
| Power Dissipation (Packages) ^b | 8-Pin MSOP ^c | 320 | mW |
| | 8-Pin SOIC ^c | 400 | |
| | 8-Pin CerDIP ^d | 600 | |

Notes:

a. Signals on NC, NO, COM, or IN exceeding V+ or V- will be clamped by internal diodes. Limit forward diode current to maximum current ratings.

b. All leads welded or soldered to PC board.

c. Derate 6.5 mW/°C above 25 °C.

d. Derate 12 mW/°C above 75 °C.

| SPECIFICATIONS (Single Supply 12 V) | | | | | | | | | |
|---|--|---|--------------------|-------------------|--------------------------------------|-------------------|-------------------------------------|-------------------|------|
| Parameter | Symbol | Test Conditions Unless Otherwise Specified V+ = 12 V, V- = 0 V V _L = 5 V, V _{IN} = 2.4 V, 0.8 V ^f | Temp. ^b | Typ. ^c | A Suffix Limits - 55 °C to 125 °C | | D Suffix Limits - 40 °C to 85 °C | | Unit |
| | | | | | Min. ^d | Max. ^d | Min. ^d | Max. ^d | |
| Analog Switch | | | | | | | | | |
| Analog Signal Range ^e | V _{ANALOG} | | Full | | 0 | 12 | 0 | 12 | V |
| On-Resistance | R _{ON} | V+ = 10.8 V, V- = 0 V I _{NO} , I _{NC} = 5 mA, V _{COM} = 2 V / 9 V | Room Full | 13 | | 20 32 | | 20 23.5 | Ω |
| Switch Off Leakage Current | I _{NO(off)} I _{NC(off)} | V _{COM} = 1 V / 11 V V _{NO} , V _{NC} = 11 V / 1 V | Room Full | | - 1 - 15 | 1 15 | - 1 - 10 | 1 10 | nA |
| | I _{COM(off)} | | Room Full | | - 1 - 15 | 1 15 | - 1 - 10 | 1 10 | |
| Channel On Leakage Current | I _{COM(on)} | V _{NO} , V _{NC} = V _{COM} = 11 V / 1 V | Room Full | | - 1 - 15 | 1 15 | - 1 - 10 | 1 10 | |
| Digital Control | | | | | | | | | |
| Input Current | I _{INL} or I _{INH} | | Full | 0.01 | - 1.5 | 1.5 | - 1 | 1 | μA |
| Dynamic Characteristics | | | | | | | | | |
| Turn-On Time | t _{ON} | R _L = 300 Ω, C _L = 35 pF V _{NO} , V _{NC} = 5 V, see figure 2 | Room Full | 28 | | 43 50 | | 43 46 | ns |
| Turn-Off Time | t _{OFF} | | Room Full | 13 | | 31 35 | | 31 32 | |
| Break-Before-Make Time Delay | t _D | DG419L only, V _{NC} , V _{NO} = 5 V R _L = 300 Ω, C _L = 35 pF | Room | 13 | | | | | |
| Charge Injection ^e | Q _{INJ} | V _g = 0 V, R _g = 0 Ω, C _L = 1 nF | Room | 1 | | | | | pC |
| Off-Isolation ^e | OIRR | R _L = 50 Ω, C _L = 5 pF, f = 1 MHz | Room | - 71 | | | | | dB |
| Channel-to-Channel Crosstalk ^e | X _{TALK} | | Room | - 71 | | | | | |
| Source Off Capacitance ^e | C _{NO(off)} C _{NC(off)} | V _{IN} = 0 or V+, f = 1 MHz | Room | 5 | | | | | pF |
| Channel-On Capacitance ^e | C _{ON} | | Room | 15 | | | | | |
| Power Supplies | | | | | | | | | |
| Positive Supply Current | I+ | V _{IN} = 0 or V _L | Room Full | 0.02 | | 1 7.5 | | 1 5 | μA |
| Negative Supply Current | I- | | Room Full | - 0.002 | - 1 - 7.5 | | - 1 - 5 | | |
| Logic Supply Current | I _L | | Room Full | 0.002 | | 1 7.5 | | 1 5 | |
| Ground Current | I _{GND} | | Room Full | - 0.002 | - 1 - 7.5 | | - 1 - 5 | | |



| SPECIFICATIONS (Dual Supply ± 5 V) | | | | | | | | | |
|--|--------------------------------|---|--------------------|-------------------|--------------------------------------|-------------------|-------------------------------------|-------------------|----------|
| Parameter | Symbol | Test Conditions Unless Otherwise Specified $V_+ = 5$ V, $V_- = -5$ V $V_L = 5$ V, $V_{IN} = 2.4$ V, 0.8 V ^f | Temp. ^b | Typ. ^c | A Suffix Limits - 55 °C to 125 °C | | D Suffix Limits - 40 °C to 85 °C | | Unit |
| | | | | | Min. ^d | Max. ^d | Min. ^d | Max. ^d | |
| Analog Switch | | | | | | | | | |
| Analog Signal Range ^e | V_{ANALOG} | | Full | | - 5 | 5 | - 5 | 5 | V |
| On-Resistance | R_{ON} | $V_+ = 5$ V, $V_- = -5$ V I_{NO} , $I_{NC} = 5$ mA, $V_{COM} = \pm 3.5$ V | Room Full | 14 | | 18.5 30 | | 18.5 21 | Ω |
| Switch Off Leakage Current ^a | $I_{NO(off)}$ $I_{NC(off)}$ | $V_+ = 5.5$ V, $V_- = -5.5$ V $V_{COM} = \pm 4.5$ V | Room Full | | - 1 - 15 | 1 15 | - 1 - 10 | 1 10 | nA |
| | $I_{COM(off)}$ | V_{NO} , $V_{NC} = \pm 4.5$ V | Room Full | | - 1 - 15 | 1 15 | - 1 - 10 | 1 10 | |
| Channel On Leakage Current ^a | $I_{COM(on)}$ | $V_+ = 5.5$ V, $V_- = -5.5$ V V_{NO} , $V_{NC} = V_{COM} = \pm 4.5$ V | Room Full | | - 1 - 15 | 1 15 | - 1 - 10 | 1 10 | |
| Digital Control | | | | | | | | | |
| Input Current ^a | I_{INL} or I_{INH} | | Full | 0.05 | - 1.5 | 1.5 | - 1 | 1 | μ A |
| Dynamic Characteristics | | | | | | | | | |
| Turn-On Time ^e | t_{ON} | $R_L = 300 \Omega$, $C_L = 35$ pF | Room Full | 30 | | 41 50 | | 41 44 | ns |
| Turn-Off Time ^e | t_{OFF} | V_{NO} , $V_{NC} = \pm 3.5$ V, see figure 2 | Room Full | 16 | | 32 36 | | 32 33 | |
| Break-Before-Make Time Delay ^e | t_D | DG419L only, V_{NO} , $V_{NC} = 3.5$ V $R_L = 300 \Omega$, $C_L = 35$ pF | Room | 10 | | | | | |
| Transition Time | t_{TRANS} | $R_L = 300 \Omega$, $C_L = 35$ pF $V_{S1} = \pm 3.5$ V, $V_{S2} = \pm 3.5$ V | Room | 33 | | 47 | | 47 | |
| Charge Injection ^e | Q_{INJ} | $V_g = 0$ V, $R_g = 0 \Omega$, $C_L = 1$ nF | Room | 3 | | | | | pC |
| Off-Isolation ^e | OIRR | $R_L = 50 \Omega$, $C_L = 5$ pF, $f = 1$ MHz | Room | - 71 | | | | | dB |
| Channel-to-Channel Crosstalk ^e | X_{TALK} | | Room | - 76 | | | | | |
| Source Off Capacitance ^e | $C_{NO(off)}$ $C_{NC(off)}$ | $f = 1$ MHz | Room | 5.2 | | | | | pF |
| Channel-On Capacitance ^e | C_{ON} | | Room | 15 | | | | | |
| Power Supplies | | | | | | | | | |
| Positive Supply Current ^e | I_+ | $V_{IN} = 0$ or V_L | Room Full | 0.03 | | 1 7.5 | | 1 5 | μ A |
| Negative Supply Current ^e | I_- | | Room Full | - 0.002 | - 1 - 7.5 | | - 1 - 5 | | |
| Logic Supply Current ^e | I_L | | Room Full | 0.002 | | 1 7.5 | | 1 5 | |
| Ground Current ^e | I_{GND} | | Room Full | - 0.002 | - 1 - 7.5 | | - 1 - 5 | | |

| SPECIFICATIONS (Single Supply 5 V) | | | | | | | | | |
|---|--------------|---|--------------------|-------------------|--------------------------------------|-------------------|-------------------------------------|-------------------|---------------|
| Parameter | Symbol | Test Conditions Unless Otherwise Specified $V_+ = 5\text{ V}$, $V_- = 0\text{ V}$ $V_L = 5\text{ V}$, $V_{IN} = 2.4\text{ V}$, 0.8 V^f | Temp. ^b | Typ. ^c | A Suffix Limits - 55 °C to 125 °C | | D Suffix Limits - 40 °C to 85 °C | | Unit |
| | | | | | Min. ^d | Max. ^d | Min. ^d | Max. ^d | |
| Analog Switch | | | | | | | | | |
| Analog Signal Range ^e | V_{ANALOG} | | Full | | | 5 | | 5 | V |
| On-Resistance ^e | R_{ON} | $V_+ = 4.5\text{ V}$, I_{NO} , $I_{NC} = 5\text{ mA}$ $V_{COM} = 1\text{ V}$, 3.5 V | Room Full | 26 | | 36.5 50 | | 36.5 40.5 | Ω |
| Dynamic Characteristics | | | | | | | | | |
| Turn-On Time ^e | t_{ON} | $R_L = 300\ \Omega$, $C_L = 35\text{ pF}$ | Room Full | 37 | | 49 60 | | 49 54 | ns |
| Turn-Off Time ^e | t_{OFF} | V_{NO} , $V_{NC} = 3.5\text{ V}$, see figure 2 | Room Full | 16 | | 31 35 | | 31 32 | |
| Break-Before-Make Time Delay ^e | t_D | DG419L only, V_{NO} , $V_{NC} = 3.5\text{ V}$ $R_L = 300\ \Omega$, $C_L = 35\text{ pF}$ | Room | 19 | | | | | |
| Charge Injection ^e | Q_{INJ} | $V_g = 0\text{ V}$, $R_g = 0\ \Omega$, $C_L = 1\text{ nF}$ | Room | 0.4 | | | | | pC |
| Power Supplies | | | | | | | | | |
| Positive Supply Current ^e | I_+ | $V_{IN} = 0\text{ or }V_L$ | Room Full | 0.02 | | 1 7.5 | | 1 5 | μA |
| Negative Supply Current ^e | I_- | | Room Full | - 0.002 | - 1 - 7.5 | | - 1 - 5 | | |
| Logic Supply Current ^e | I_L | | Room Full | 0.002 | | 1 7.5 | | 1 5 | |
| Ground Current ^e | I_{GND} | | Room Full | - 0.002 | - 1 - 7.5 | | - 1 - 5 | | |



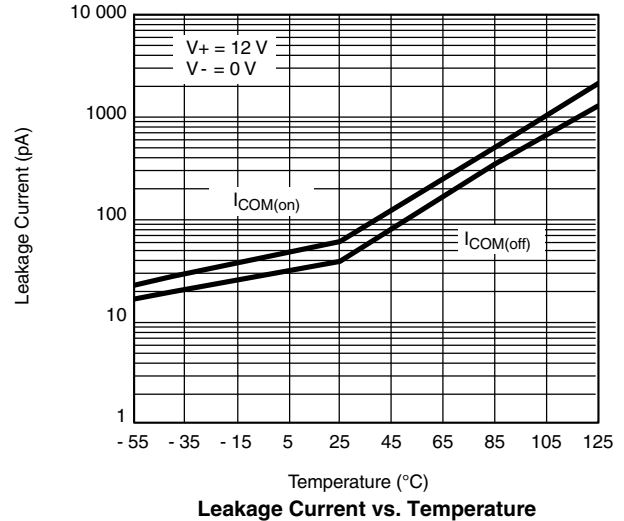
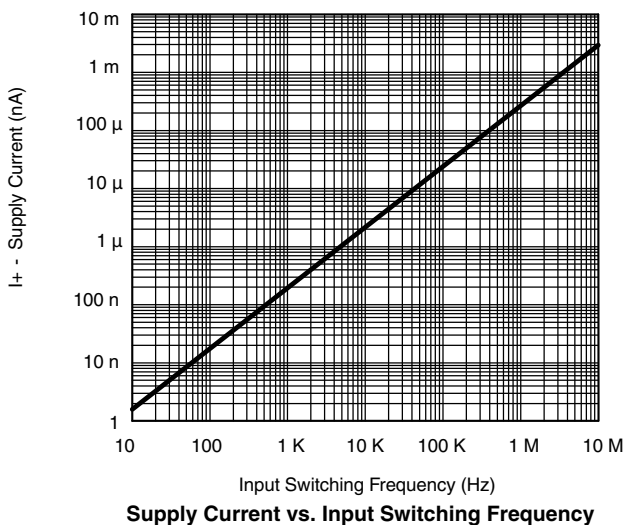
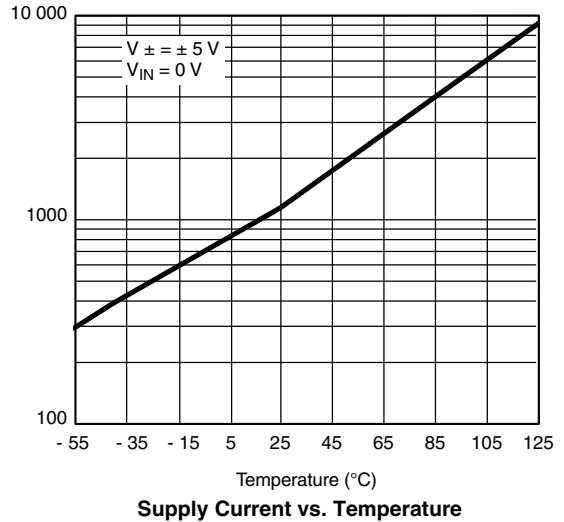
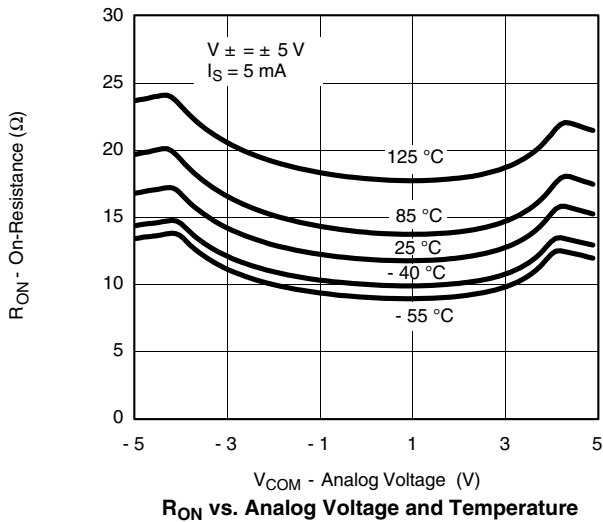
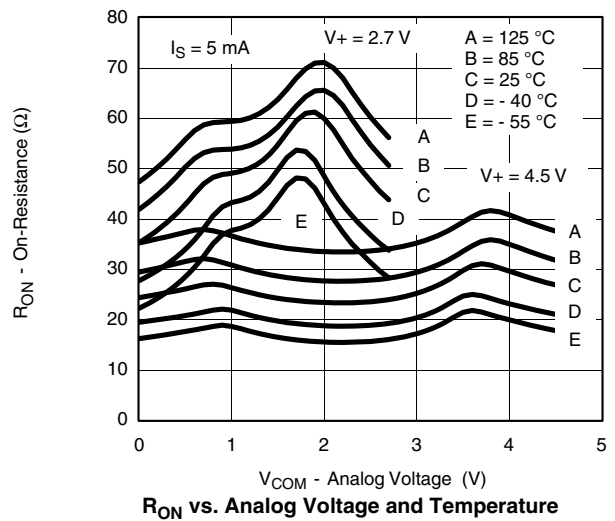
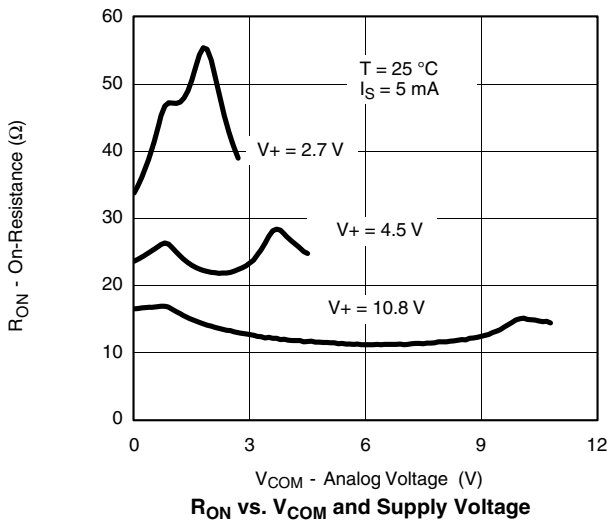
| SPECIFICATIONS (Single Supply 3 V) | | | | | | | | | |
|--|--------------------------------|---|--------------------|-------------------|--------------------------------------|-------------------|-------------------------------------|-------------------|---------------|
| Parameter | Symbol | Test Conditions Unless Otherwise Specified $V_+ = 3\text{ V}$, $V_- = 0\text{ V}$ $V_L = 3\text{ V}$, $V_{IN} = 2\text{ V}$, 0.4 V^f | Temp. ^b | Typ. ^c | A Suffix Limits - 55 °C to 125 °C | | D Suffix Limits - 40 °C to 85 °C | | Unit |
| | | | | | Min. ^d | Max. ^d | Min. ^d | Max. ^d | |
| Analog Switch | | | | | | | | | |
| Analog Signal Range ^e | V_{ANALOG} | | Full | | 0 | 3 | 0 | 3 | V |
| On-Resistance | R_{ON} | $V_+ = 2.7\text{ V}$, $V_- = 0\text{ V}$ I_{NO} , $I_{NC} = 5\text{ mA}$, $V_{COM} = 0.5\text{ V}$, 2.2 V | Room Full | 47 | | 70 80 | | 70 75 | Ω |
| Switch Off Leakage Current ^a | $I_{NO(off)}$ $I_{NC(off)}$ | $V_+ = 3.3\text{ V}$, $V_- = 0\text{ V}$ $V_{COM} = 1, 2\text{ V}$, V_{NO} , $V_{NC} = 2, 1\text{ V}$ | Room Full | | - 1 - 15 | 1 15 | - 1 - 10 | 1 10 | nA |
| | $I_{COM(off)}$ | | Room Full | | - 1 - 15 | 1 15 | - 1 - 10 | 1 10 | |
| Channel On Leakage Current ^a | $I_{COM(on)}$ | $V_+ = 3.3\text{ V}$, $V_- = 0\text{ V}$ V_{NO} , $V_{NC} = V_{COM} = 1\text{ V}$, 2 V | Room Full | | - 1 - 15 | 1 15 | - 1 - 10 | 1 10 | |
| Digital Control | | | | | | | | | |
| Input Current ^a | I_{INL} or I_{INH} | | Full | 0.005 | - 1.5 | 1.5 | - 1 | 1 | μA |
| Dynamic Characteristics | | | | | | | | | |
| Turn-On Time | t_{ON} | $R_L = 300\ \Omega$, $C_L = 35\text{ pF}$ V_{NO} , $V_{NC} = 1.5\text{ V}$, see figure 2 | Room Full | 65 | | 75 95 | | 75 85 | ns |
| Turn-Off Time | t_{OFF} | | Room Full | 26 | | 41 45 | | 41 43 | |
| Break-Before-Make Time Delay | t_D | DG419L only, V_{NO} , $V_{NC} = 1.5\text{ V}$ $R_L = 300\ \Omega$, $C_L = 35\text{ pF}$ | Room | 33 | | | | | |
| Charge Injection ^e | Q_{INJ} | $V_g = 0\text{ V}$, $R_g = 0\ \Omega$, $C_L = 10\text{ nF}$ | Room | 1 | | | | | pC |
| Off-Isolation ^e | OIRR | $R_L = 50\ \Omega$, $C_L = 5\text{ pF}$, $f = 1\text{ MHz}$ | Room | - 71 | | | | | dB |
| Channel-to-Channel Crosstalk ^e | X_{TALK} | | Room | - 77 | | | | | |
| Source Off Capacitance ^e | $C_{NO(off)}$ $C_{NC(off)}$ | $f = 1\text{ MHz}$ | Room | 5.6 | | | | | pF |
| Channel On Capacitance ^e | $C_{D(on)}$ | | Room | 16 | | | | | |

Notes:

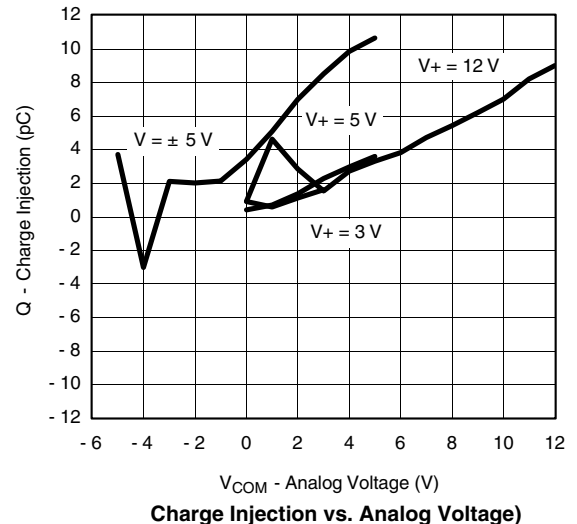
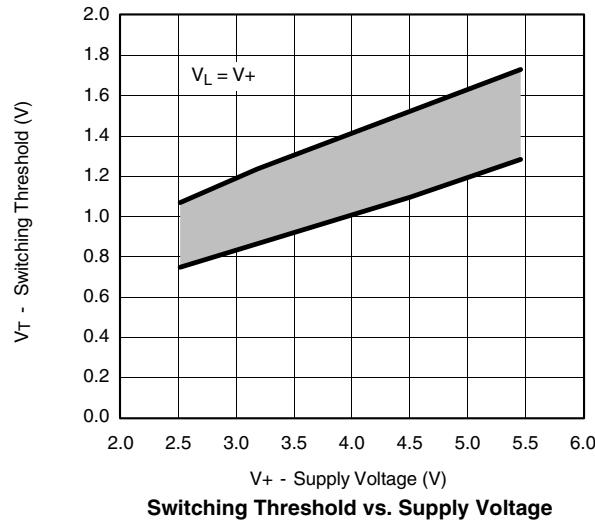
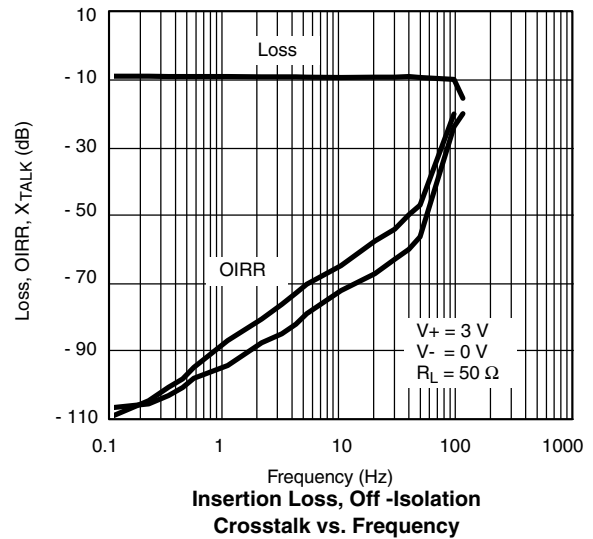
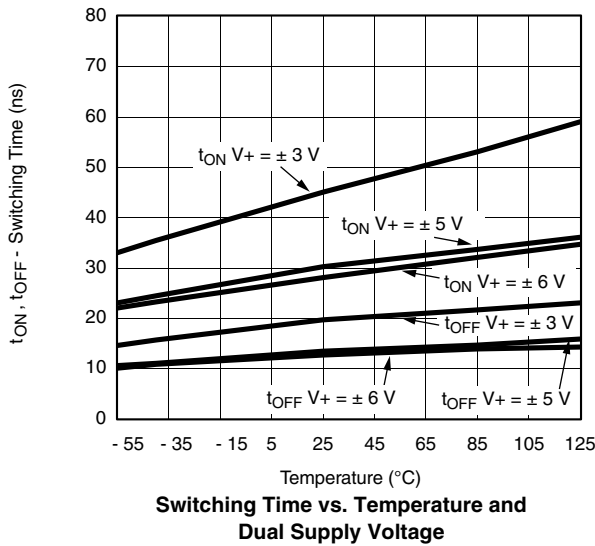
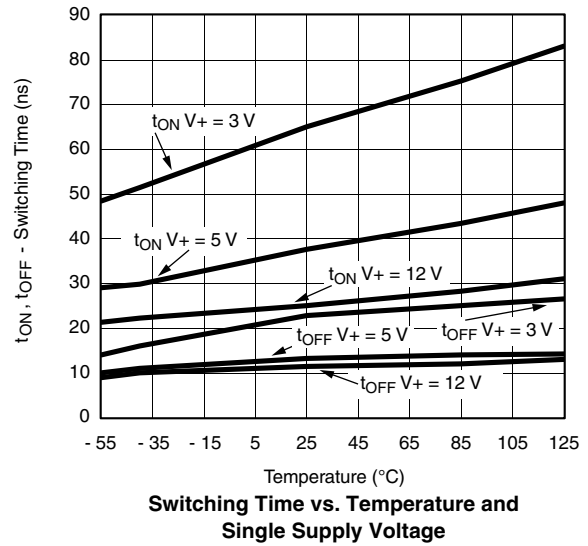
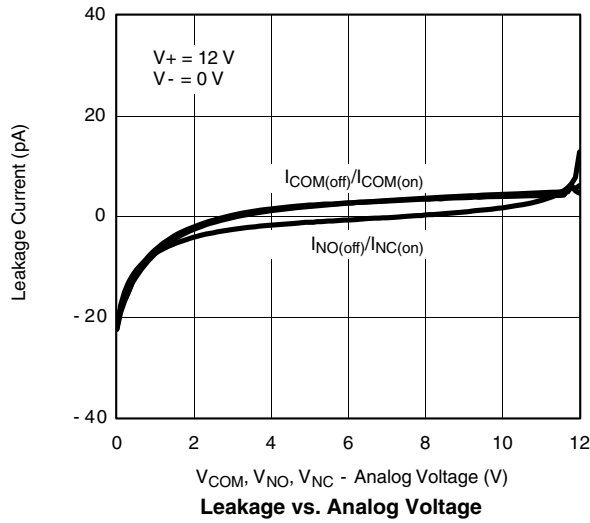
- a. Leakage parameters are guaranteed by worst case test condition and not subject to production test.
- b. Room = 25 °C, Full = as determined by the operating temperature suffix.
- c. Typical values are for DESIGN AID ONLY, not guaranteed nor subject to production testing.
- d. The algebraic convention whereby the most negative value is a minimum and the most positive a maximum, is used in this data sheet.
- e. Guaranteed by design, not subject to production test.
- f. V_{IN} = input voltage to perform proper function.

Stresses beyond those listed under "Absolute Maximum Ratings" may cause permanent damage to the device. These are stress ratings only, and functional operation of the device at these or any other conditions beyond those indicated in the operational sections of the specifications is not implied. Exposure to absolute maximum rating conditions for extended periods may affect device reliability.

TYPICAL CHARACTERISTICS (25 °C, unless otherwise noted)



TYPICAL CHARACTERISTICS (25 °C, unless otherwise noted)



SCHEMATIC DIAGRAM (Typical Channel)

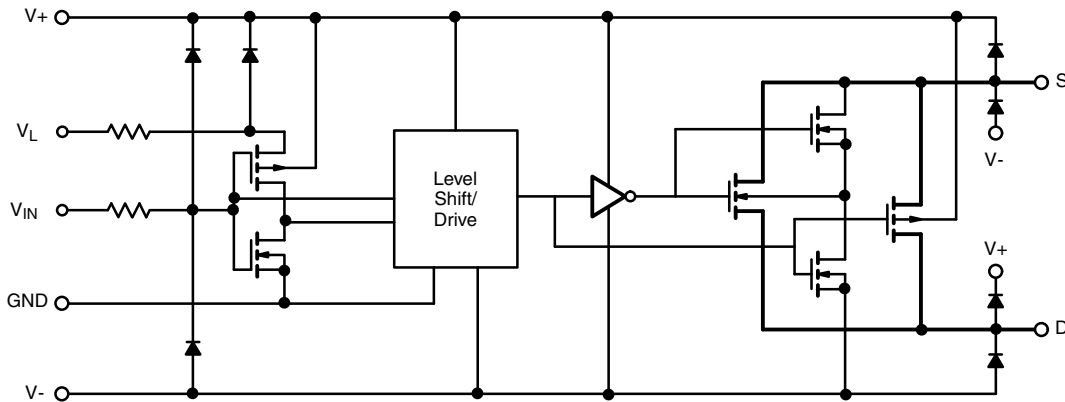
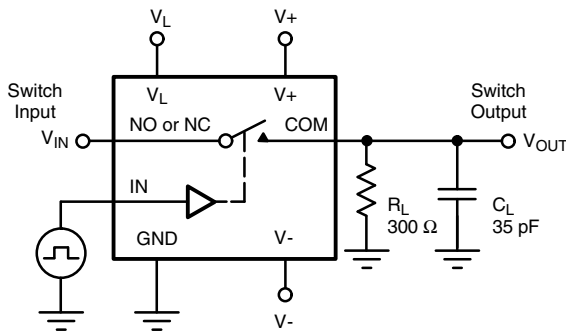


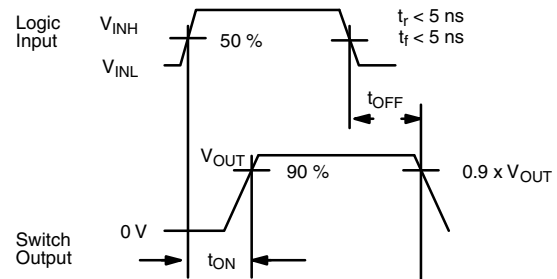
Figure 1.

TEST CIRCUITS



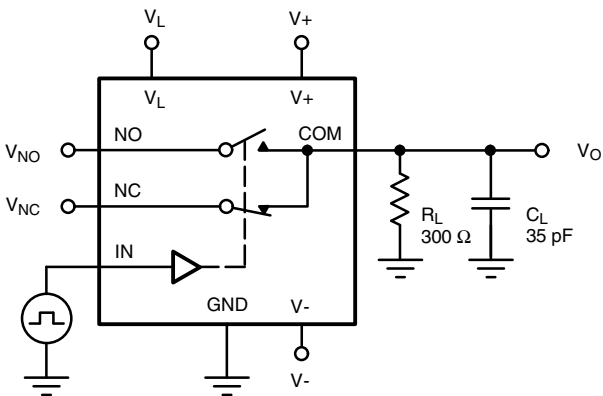
C_L (includes fixture and stray capacitance)

$$V_{OUT} = V_{IN} \frac{R_L}{R_L + R_{ON}}$$



Note: Logic input waveform is inverted for switches that have the opposite logic sense control

Figure 2. Switching Time



C_L (includes fixture and stray capacitance)

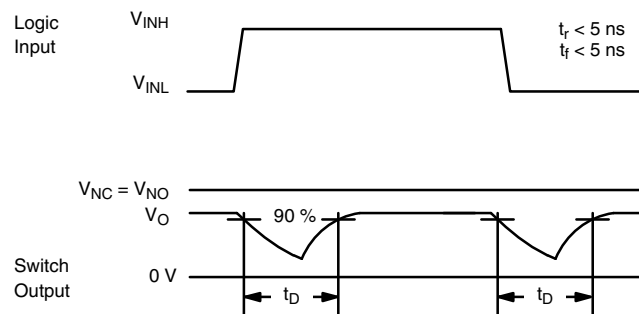
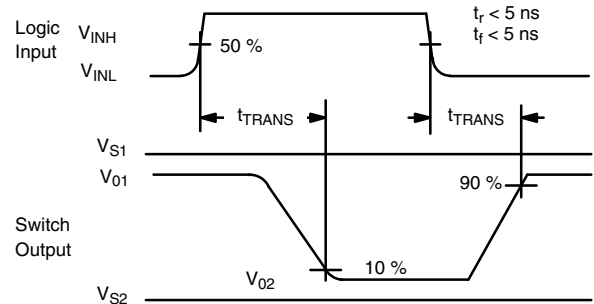
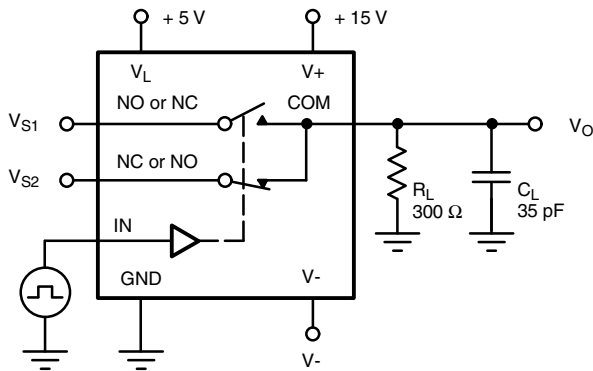


Figure 3. Break-Before-Make (DG419L)

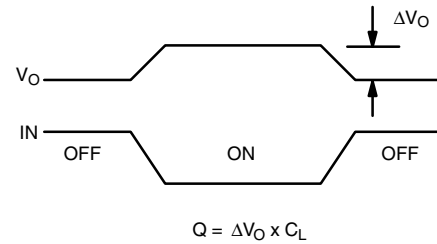
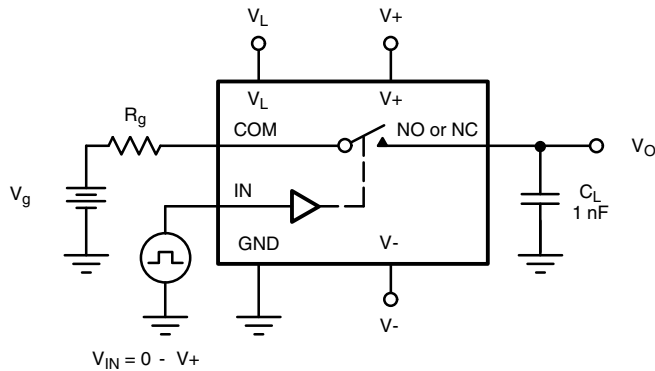
TEST CIRCUITS



C_L (includes fixture and stray capacitance)

$$V_O = V_S \frac{R_L}{R_L + R_{ON}}$$

Figure 4. Transition Time (DG419L)



IN dependent on switch configuration Input polarity determined by sense of switch.

Figure 5. Charge Injection

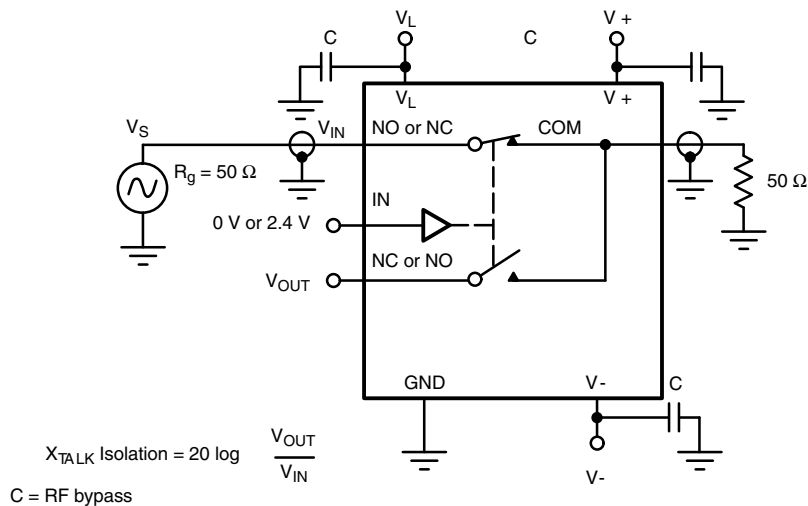


Figure 6. Crosstalk (DG419L)

TEST CIRCUITS

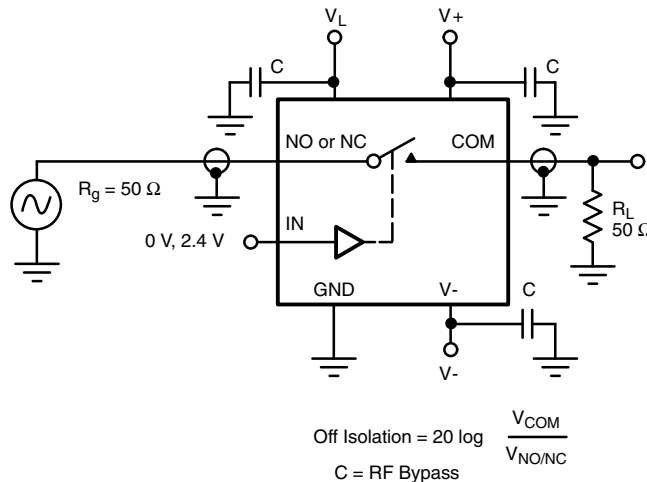


Figure 7. Off Isolation

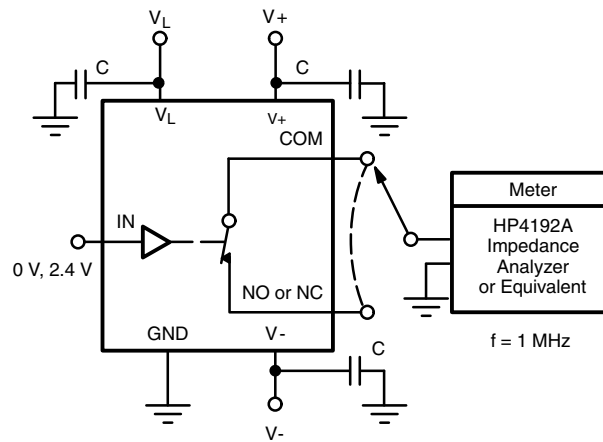


Figure 8. Source/Drain Capacitances

Vishay Siliconix maintains worldwide manufacturing capability. Products may be manufactured at one of several qualified locations. Reliability data for Silicon Technology and Package Reliability represent a composite of all qualified locations. For related documents such as package/tape drawings, part marking, and reliability data, see www.vishay.com/ppg?71763.

SOIC (NARROW): 8-LEAD

JEDEC Part Number: MS-012

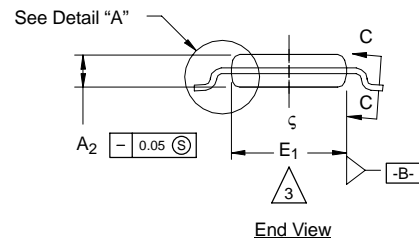
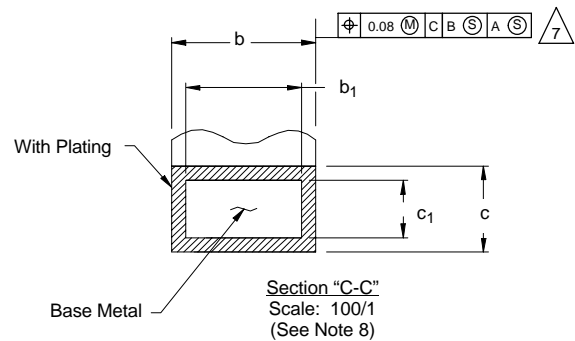
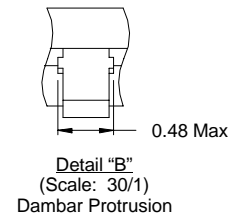
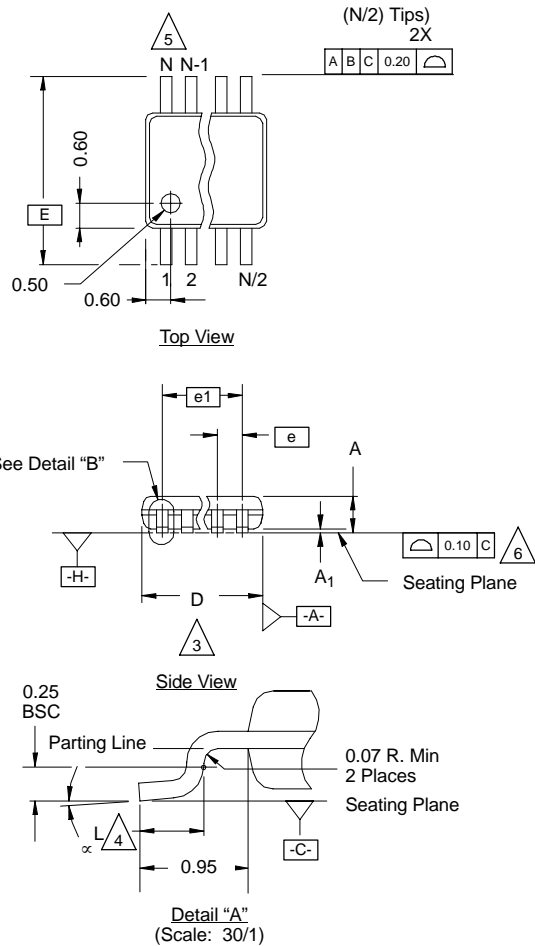


| DIM | MILLIMETERS | | INCHES | |
|---|-------------|------|-----------|-------|
| | Min | Max | Min | Max |
| A | 1.35 | 1.75 | 0.053 | 0.069 |
| A ₁ | 0.10 | 0.20 | 0.004 | 0.008 |
| B | 0.35 | 0.51 | 0.014 | 0.020 |
| C | 0.19 | 0.25 | 0.0075 | 0.010 |
| D | 4.80 | 5.00 | 0.189 | 0.196 |
| E | 3.80 | 4.00 | 0.150 | 0.157 |
| e | 1.27 BSC | | 0.050 BSC | |
| H | 5.80 | 6.20 | 0.228 | 0.244 |
| h | 0.25 | 0.50 | 0.010 | 0.020 |
| L | 0.50 | 0.93 | 0.020 | 0.037 |
| q | 0° | 8° | 0° | 8° |
| S | 0.44 | 0.64 | 0.018 | 0.026 |
| ECN: C-06527-Rev. I, 11-Sep-06 DWG: 5498 | | | | |



MSOP: 8-LEADS

JEDEC Part Number: MO-187, (Variation AA and BA)



NOTES:

- Die thickness allowable is 0.203 ± 0.0127 .
- Dimensioning and tolerances per ANSI.Y14.5M-1994.
- Dimensions "D" and "E₁" do not include mold flash or protrusions, and are measured at Datum plane [-H-], mold flash or protrusions shall not exceed 0.15 mm per side.
- Dimension is the length of terminal for soldering to a substrate.
- Terminal positions are shown for reference only.
- Formed leads shall be planar with respect to one another within 0.10 mm at seating plane.
- The lead width dimension does not include Dambar protrusion. Allowable Dambar protrusion shall be 0.08 mm total in excess of the lead width dimension at maximum material condition. Dambar cannot be located on the lower radius or the lead foot. Minimum space between protrusions and an adjacent lead to be 0.14 mm. See detail "B" and Section "C-C".
- Section "C-C" to be determined at 0.10 mm to 0.25 mm from the lead tip.
- Controlling dimension: millimeters.
- This part is compliant with JEDEC registration MO-187, variation AA and BA.
- Datums [-A-] and [-B-] to be determined Datum plane [-H-].
- Exposed pad area in bottom side is the same as teh leadframe pad size.

N = 8L

| Dim | MILLIMETERS | | | Note |
|----------------------|-------------|------|------|------|
| | Min | Nom | Max | |
| A | - | - | 1.10 | |
| A₁ | 0.05 | 0.10 | 0.15 | |
| A₂ | 0.75 | 0.85 | 0.95 | |
| b | 0.25 | - | 0.38 | 8 |
| b₁ | 0.25 | 0.30 | 0.33 | 8 |
| c | 0.13 | - | 0.23 | |
| c₁ | 0.13 | 0.15 | 0.18 | |
| D | 3.00 BSC | | | 3 |
| E | 4.90 BSC | | | |
| E₁ | 2.90 | 3.00 | 3.10 | 3 |
| e | 0.65 BSC | | | |
| e₁ | 1.95 BSC | | | |
| L | 0.40 | 0.55 | 0.70 | 4 |
| N | 8 | | | 5 |
| α | 0° | 4° | 6° | |

ECN: T-02080—Rev. C, 15-Jul-02
 DWG: 5867



Mounting LITTLE FOOT®, SO-8 Power MOSFETs

Wharton McDaniel

Surface-mounted LITTLE FOOT power MOSFETs use integrated circuit and small-signal packages which have been modified to provide the heat transfer capabilities required by power devices. Leadframe materials and design, molding compounds, and die attach materials have been changed, while the footprint of the packages remains the same.

See Application Note 826, *Recommended Minimum Pad Patterns With Outline Drawing Access for Vishay Siliconix MOSFETs*, (<http://www.vishay.com/ppg?72286>), for the basis of the pad design for a LITTLE FOOT SO-8 power MOSFET. In converting this recommended minimum pad to the pad set for a power MOSFET, designers must make two connections: an electrical connection and a thermal connection, to draw heat away from the package.

In the case of the SO-8 package, the thermal connections are very simple. Pins 5, 6, 7, and 8 are the drain of the MOSFET for a single MOSFET package and are connected together. In a dual package, pins 5 and 6 are one drain, and pins 7 and 8 are the other drain. For a small-signal device or integrated circuit, typical connections would be made with traces that are 0.020 inches wide. Since the drain pins serve the additional function of providing the thermal connection to the package, this level of connection is inadequate. The total cross section of the copper may be adequate to carry the current required for the application, but it presents a large thermal impedance. Also, heat spreads in a circular fashion from the heat source. In this case the drain pins are the heat sources when looking at heat spread on the PC board.



Figure 1. Single MOSFET SO-8 Pad Pattern With Copper Spreading

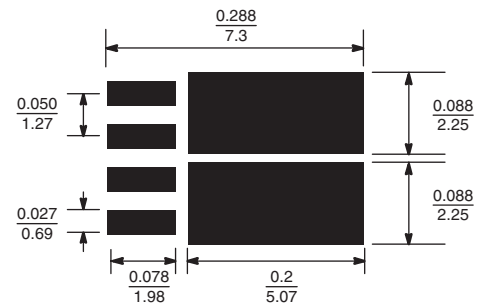


Figure 2. Dual MOSFET SO-8 Pad Pattern With Copper Spreading

The minimum recommended pad patterns for the single-MOSFET SO-8 with copper spreading (Figure 1) and dual-MOSFET SO-8 with copper spreading (Figure 2) show the starting point for utilizing the board area available for the heat-spreading copper. To create this pattern, a plane of copper overlies the drain pins. The copper plane connects the drain pins electrically, but more importantly provides planar copper to draw heat from the drain leads and start the process of spreading the heat so it can be dissipated into the ambient air. These patterns use all the available area underneath the body for this purpose.

Since surface-mounted packages are small, and reflow soldering is the most common way in which these are affixed to the PC board, “thermal” connections from the planar copper to the pads have not been used. Even if additional planar copper area is used, there should be no problems in the soldering process. The actual solder connections are defined by the solder mask openings. By combining the basic footprint with the copper plane on the drain pins, the solder mask generation occurs automatically.

A final item to keep in mind is the width of the power traces. The absolute minimum power trace width must be determined by the amount of current it has to carry. For thermal reasons, this minimum width should be at least 0.020 inches. The use of wide traces connected to the drain plane provides a low impedance path for heat to move away from the device.

RECOMMENDED MINIMUM PADS FOR SO-8



Recommended Minimum Pads
Dimensions in Inches/(mm)

[Return to Index](#)



Disclaimer

ALL PRODUCT, PRODUCT SPECIFICATIONS AND DATA ARE SUBJECT TO CHANGE WITHOUT NOTICE TO IMPROVE RELIABILITY, FUNCTION OR DESIGN OR OTHERWISE.

Vishay Intertechnology, Inc., its affiliates, agents, and employees, and all persons acting on its or their behalf (collectively, "Vishay"), disclaim any and all liability for any errors, inaccuracies or incompleteness contained in any datasheet or in any other disclosure relating to any product.

Vishay makes no warranty, representation or guarantee regarding the suitability of the products for any particular purpose or the continuing production of any product. To the maximum extent permitted by applicable law, Vishay disclaims (i) any and all liability arising out of the application or use of any product, (ii) any and all liability, including without limitation special, consequential or incidental damages, and (iii) any and all implied warranties, including warranties of fitness for particular purpose, non-infringement and merchantability.

Statements regarding the suitability of products for certain types of applications are based on Vishay's knowledge of typical requirements that are often placed on Vishay products in generic applications. Such statements are not binding statements about the suitability of products for a particular application. It is the customer's responsibility to validate that a particular product with the properties described in the product specification is suitable for use in a particular application. Parameters provided in datasheets and/or specifications may vary in different applications and performance may vary over time. All operating parameters, including typical parameters, must be validated for each customer application by the customer's technical experts. Product specifications do not expand or otherwise modify Vishay's terms and conditions of purchase, including but not limited to the warranty expressed therein.

Except as expressly indicated in writing, Vishay products are not designed for use in medical, life-saving, or life-sustaining applications or for any other application in which the failure of the Vishay product could result in personal injury or death. Customers using or selling Vishay products not expressly indicated for use in such applications do so at their own risk. Please contact authorized Vishay personnel to obtain written terms and conditions regarding products designed for such applications.

No license, express or implied, by estoppel or otherwise, to any intellectual property rights is granted by this document or by any conduct of Vishay. Product names and markings noted herein may be trademarks of their respective owners.

Material Category Policy

Vishay Intertechnology, Inc. hereby certifies that all its products that are identified as RoHS-Compliant fulfill the definitions and restrictions defined under Directive 2011/65/EU of The European Parliament and of the Council of June 8, 2011 on the restriction of the use of certain hazardous substances in electrical and electronic equipment (EEE) - recast, unless otherwise specified as non-compliant.

Please note that some Vishay documentation may still make reference to RoHS Directive 2002/95/EC. We confirm that all the products identified as being compliant to Directive 2002/95/EC conform to Directive 2011/65/EU.

Vishay Intertechnology, Inc. hereby certifies that all its products that are identified as Halogen-Free follow Halogen-Free requirements as per JEDEC JS709A standards. Please note that some Vishay documentation may still make reference to the IEC 61249-2-21 definition. We confirm that all the products identified as being compliant to IEC 61249-2-21 conform to JEDEC JS709A standards.

Компания «Океан Электроники» предлагает заключение долгосрочных отношений при поставках импортных электронных компонентов на взаимовыгодных условиях!

Наши преимущества:

- Поставка оригинальных импортных электронных компонентов напрямую с производств Америки, Европы и Азии, а так же с крупнейших складов мира;
- Широкая линейка поставок активных и пассивных импортных электронных компонентов (более 30 млн. наименований);
- Поставка сложных, дефицитных, либо снятых с производства позиций;
- Оперативные сроки поставки под заказ (от 5 рабочих дней);
- Экспресс доставка в любую точку России;
- Помощь Конструкторского Отдела и консультации квалифицированных инженеров;
- Техническая поддержка проекта, помощь в подборе аналогов, поставка прототипов;
- Поставка электронных компонентов под контролем ВП;
- Система менеджмента качества сертифицирована по Международному стандарту ISO 9001;
- При необходимости вся продукция военного и аэрокосмического назначения проходит испытания и сертификацию в лаборатории (по согласованию с заказчиком);
- Поставка специализированных компонентов военного и аэрокосмического уровня качества (Xilinx, Altera, Analog Devices, Intersil, Interpoint, Microsemi, Actel, Aeroflex, Peregrine, VPT, Syfer, Eurofarad, Texas Instruments, MS Kennedy, Miteq, Cobham, E2V, MA-COM, Hittite, Mini-Circuits, General Dynamics и др.);

Компания «Океан Электроники» является официальным дистрибьютором и эксклюзивным представителем в России одного из крупнейших производителей разъемов военного и аэрокосмического назначения «JONHON», а так же официальным дистрибьютором и эксклюзивным представителем в России производителя высокотехнологичных и надежных решений для передачи СВЧ сигналов «FORSTAR».



JONHON

«JONHON» (основан в 1970 г.)

Разъемы специального, военного и аэрокосмического назначения:

(Применяются в военной, авиационной, аэрокосмической, морской, железнодорожной, горно- и нефтедобывающей отраслях промышленности)

«FORSTAR» (основан в 1998 г.)

ВЧ соединители, коаксиальные кабели,
кабельные сборки и микроволновые компоненты:

(Применяются в телекоммуникациях гражданского и специального назначения, в средствах связи, РЛС, а так же военной, авиационной и аэрокосмической отраслях промышленности).



Телефон: 8 (812) 309-75-97 (многоканальный)

Факс: 8 (812) 320-03-32

Электронная почта: ocean@oceanchips.ru

Web: <http://oceanchips.ru/>

Адрес: 198099, г. Санкт-Петербург, ул. Калинина, д. 2, корп. 4, лит. А