

## D2-81412, D2-81431, D2-81433, D2-81434, D2-81435

DAE-1 for Manufacturers of High-Performance Class-D Audio Amplifiers

FN6786  
Rev 2.00  
May 18, 2016

The D2Audio™ D2-814xx is a fully self-contained 4-channel digital amplifier controller System-On-Chip (SOC). The D2-814xx enables rapid system design for manufacturers of home theater receivers, multi-room distributed audio systems, and powered speakers.

The D2-814xx contains a high-performance digital switching controller to play any input source on any output channel.

A configurable audio signal processor provides equalization, volume control, tone control, and compression for each channel, also crossover and power limiting for powered speaker applications.

The D2-814xx includes 4-channels I<sup>2</sup>S/Left-Justified inputs (16-bit to 24-bit, 32kHz to 192kHz), optional S/PDIF receiver (16-bit to 24-bit).

Boot options include: Self-boot from external serial ROM, asynchronous SCI slave boot, and serial slave boot from host uCon.

Please see the part number availability table for additional information on support for D2Audio™ SoundSuite™ firmware, as well as for SRS Labs™ and Dolby Labs™ algorithm support.

### Features

- Powerful Digital Audio Management - Reference Design Dependant SRC, Routing, Mixing, Multiple Digital Audio I/O, Tone Control, Parametric EQ, Compression
- Reduced Audio System Cost for Manufacturers of Class-D Audio Amplifiers
- Audio Processing Features Enable Optimized Speaker Performance and Delivers Dramatically Improved Sound Quality
- Minimum Development Cost/Risk/ Time-to-Market
- Pure Digital Path
- Superior Dynamic Range
- >110dB SNR, <0.1% THD+N
- 20Hz-20kHz ±0.5dB Frequency Response

### Complete Class-D Amplifier Controller SOC

- Digital Switching Controller
- Flexible Audio Input Sources
- Multiple Controller Synchronization
- Bridge and Non-Bridged Output Topologies
- Stand-Alone or Micro-Controller Boot Option
- 4 Channels
- Pb-Free (RoHS Compliant)

### High-Performance Sound

- Unique Performance for Each Part Number
- Superior Dynamic Range
- >110 dB SNR, <0.1% THD+N
- 20Hz-20kHz ±0.5dB Frequency Response

### Graceful Protection and Recovery

- Complete Short-Circuit, Overcurrent, and Overvoltage Fault Protection

### Pure Digital Path

- Digital Audio Inputs which Support I<sup>2</sup>S and Left-Justified Formats with Linear PCM (32kHz to 192kHz, 16 to 24-bit)
- Digital Audio Input which Supports S/PDIF Format with Linear PCM (32kHz to 192kHz, 16 to 24-bit)

### Multiple Part Offerings

- D2-81412-LR: 144 Ld LQFP Supporting D2Audio SoundSuite™
- D2-81431-LR: 128 Ld LQFP Supporting D2Audio SoundSuite™
- D2-81435-LR: 128 Ld LQFP Supporting D2Audio SoundSuite™ and DTS™ (SRS) Technology

## Table of Contents

|  |           |
|--|-----------|
| <b>Ordering Information</b> .....  | <b>3</b>  |
| <b>D2-814xx Architecture</b> .....                                       | <b>4</b>  |
| <b>D2-814xx Signal Flow</b> .....  | <b>4</b>  |
| <b>Absolute Maximum Ratings</b> .....                                    | <b>5</b>  |
| <b>Thermal Information</b> .....   | <b>5</b>  |
| <b>Operating Conditions</b> .....  | <b>5</b>  |
| <b>Electrical Specifications</b> .....                                   | <b>5</b>  |
| <b>Switching Characteristics - Serial Audio Port</b> .....               | <b>6</b>  |
| <b>Switching Characteristics - 2-Wire Interface</b> .....                | <b>7</b>  |
| <b>Pin Configuration</b> .....   | <b>8</b>  |
| <b>Pin Definitions - 128 Ld LQFP Package</b> .....                       | <b>8</b>  |
| Pin Descriptions 128 Ld Package .....                                    | 11        |
| <b>Pin Configuration</b> .....   | <b>14</b> |
| <b>Pin Definitions, 144 Ld LQFP Package</b> .....                        | <b>14</b> |
| Pin Descriptions 144-Pin Package .....                                   | 17        |
| <b>D2-814xx Reset and Boot Modes</b> .....                               | <b>20</b> |
| Reset .....  | 20        |
| Boot Modes .....   | 20        |
| <b>Revision History</b> .....  | <b>21</b> |
| <b>About Intersil</b> .....  | <b>22</b> |
| <b>Trademarks</b> .....  | <b>23</b> |
| <b>Disclaimer for Dolby Technology License Required Notice</b> .....     | <b>23</b> |
| <b>Disclaimer for DTS (SRS) Technology License Required Notice</b> ..... | <b>23</b> |
| <b>Low Plastic Quad Flatpack Package (LQFP)</b> .....                    | <b>24</b> |
| Q144.20x20B .....  | 24        |
| <b>Low Plastic Quad Flatpack Packages (LQFP)</b> .....                   | <b>25</b> |
| Q128.14x14 .....   | 25        |

## Ordering Information

| PART NUMBER<br>(Notes 2, 3, 4, 5)  | PART MARKING | PACKAGE<br>(RoHS Compliant) | PKG.<br>DWG. # |
|--|--------------|-----------------------------|----------------|
| D2-81412-LR  | D2-81412-LR  | 144 Ld LQFP                 | Q144.20x20B    |
| D2-81431-LR  | D2-81431-LR  | 128 Ld LQFP                 | Q128.14x14     |
| D2-81433-LR (No longer available,<br>recommended replacement: D2-81435-LR)             | D2-81433-LR  | 128 Ld LQFP                 | Q128.14x14     |
| D2-81434-LR (Note 1)<br>(No longer available, recommended<br>replacement: D2-81435-LR) | D2-81434-LR  | 128 Ld LQFP                 | Q128.14x14     |
| D2-81435-LR (Note 1)   | D2-81435-LR  | 128 Ld LQFP                 | Q128.14x14     |

### NOTES:

- D2Audio is obliged to confirm that NDAs and/or Evaluation Sample Licenses are in place with all 3rd Party IP Owners and potential D2Audio customers before the sale of product or evaluation kits which contains either a D2-81434-LR or D2-81435-LR. Sale of the D2-81434-LR is only available to Dolby Laboratories licensees in good standing. Sale of the D2-81435-LR is only available to SRS Labs licensees in good standing.
- Delivery of 3rd party Firmware is subject to prior confirmation with the 3rd party IP vendors that the OEM/ODM/Customer is currently in good standing and having the appropriate licenses in place for the respective technology. TruSurround HD and TruSurround HD4 are trademarks of SRS Labs, Inc. Dolby and the Double-D symbol are registered trademarks of Dolby Laboratories.
- Please see separate Application Notes for D2Audio™ SoundSuite, Dolby Labs™, and SRS Labs™ firmware, register tables and signal flow information.
- These Intersil Pb-free plastic packaged products employ special Pb-free material sets, molding compounds/die attach materials, and 100% matte tin plate plus anneal (e3 termination finish, which is RoHS compliant and compatible with both SnPb and Pb-free soldering operations). Intersil Pb-free products are MSL classified at Pb-free peak reflow temperatures that meet or exceed the Pb-free requirements of IPC/JEDEC J STD-020.
- For Moisture Sensitivity Level (MSL), please see device information page for [D2-81412](#), [D2-81431](#), [D2-81433](#), [D2-81434](#), [D2-81435](#). For more information on MSL please see techbrief [TB363](#).

## D2-814xx Architecture

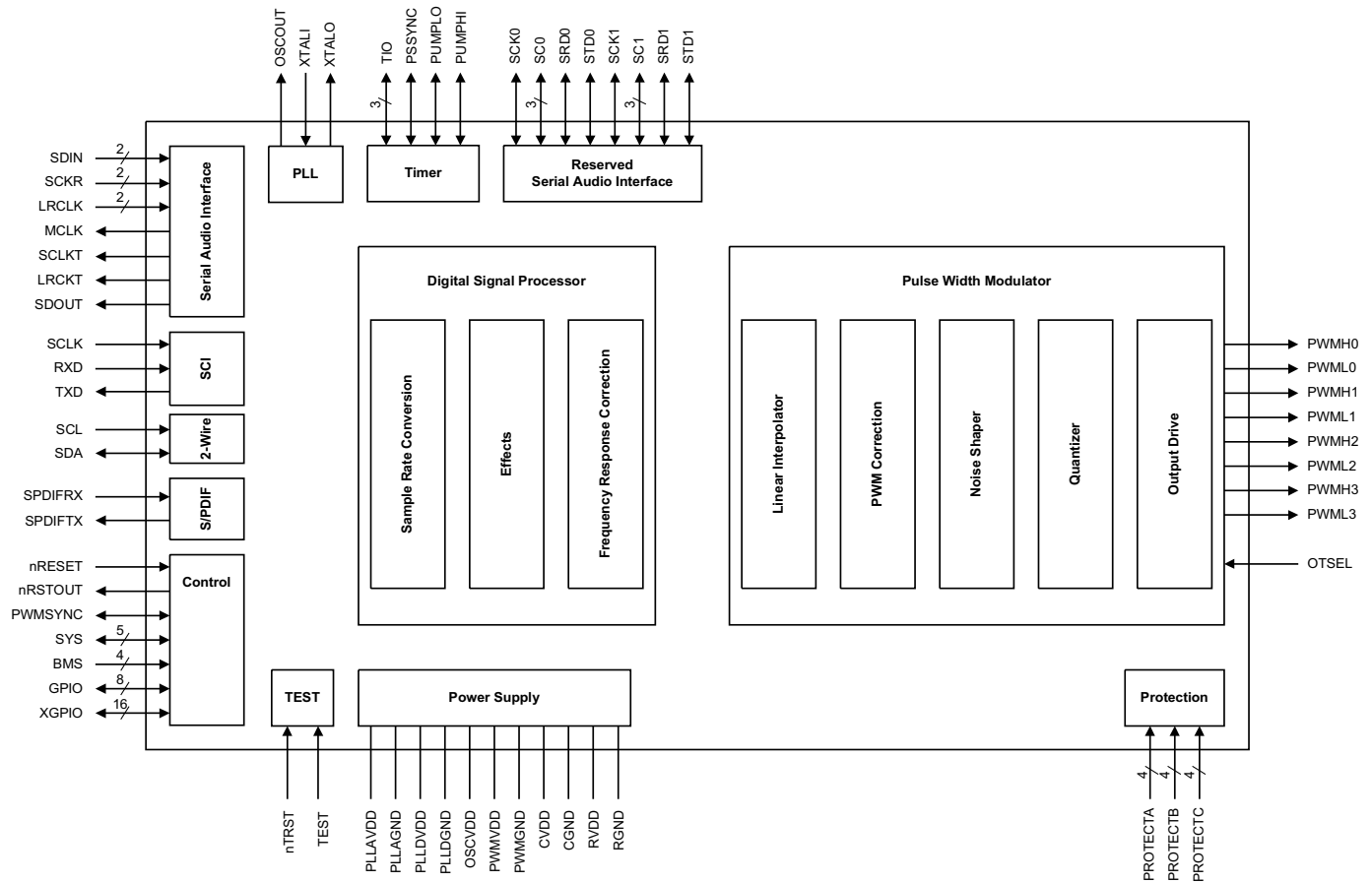


FIGURE 1. D2-814xx BLOCK DIAGRAM (144 LD PACKAGE)

## D2-814xx Signal Flow

The D2-814xx supports a wide variety of signal flows that are fully programmable and are reference design dependent. The D2-814xx IC is to only be used as part of a licensed Reference Design Platform (RDP) package from D2Audio Corporation. The designer should note that each Reference Design Platform (RDP) package has a set signal flow, which is handled by the specified firmware and associated performance level, which is determined primarily by the surrounding components used in the design. Please refer to the specific D2Audio Digital Amplifier Datasheet for the design-specific signal flows and corresponding register set.

## Absolute Maximum Ratings

|   |                        |
|---|------------------------|
| Supply Voltage RVDD, PWMVDD                   | -0.3V to 4.0V          |
| Supply Voltage CVDD, PLLAVDD, PLLDVDD, OSCVDD | -0.3V to 2.4V          |
| Input Voltage, any Input but XTALI            | -0.3V to RVDD + 0.3V   |
| Input Voltage XTALI                           | -0.3V to OSCVDD + 0.3V |
| Input Current, any Pin but Supplies           | ±10mA                  |

## Operating Conditions

|   |                |
|---|----------------|
| Operating Temperature (T <sub>MAX</sub> ) | -10°C to +85°C |
|---|----------------|

## Thermal Information

| Thermal Resistance (Typical)                  | θ <sub>JA</sub> (°C/W)    | θ <sub>JC</sub> (°C/W) |
|---|---------------------------|------------------------|
| <b>128 Ld LQFP (Notes 7, 8)</b>               |                           |                        |
| Airflow at 0                                  | 59.1                      | 17.8                   |
| Airflow at 1m/s                               | 52.8                      | 17.8                   |
| Airflow at 2m/s                               | 50.5                      | 17.8                   |
| <b>144 Ld LQFP (Notes 7, 8)</b>               |                           |                        |
| Airflow at 0                                  | 56.5                      | 17.6                   |
| Airflow at 1m/s                               | 50.9                      | 17.6                   |
| Airflow at 2m/s                               | 48.9                      | 17.6                   |
| Junction Temperature (T <sub>JNC</sub> )      | +125°C                    |                        |
| Storage Temperature Range (T <sub>STG</sub> ) | -55°C to +150°C           |                        |
| Pb-Free Reflow Profile                        | see <a href="#">TB493</a> |                        |

CAUTION: Do not operate at or near the maximum ratings listed for extended periods of time. Exposure to such conditions may adversely impact product reliability and result in failures not covered by warranty.

### NOTES:

- For both 128 Ld LQFP and 144 Ld LQFP.
- θ<sub>JA</sub> is measured with the component mounted on a high effective thermal conductivity test board in free air. See Tech Brief [TB379](#) for details.
- For θ<sub>JC</sub>, the "case temp" location is taken at the package top center.

## Electrical Specifications

| PARAMETER   | SYMBOL           | MIN           | TYP | MAX    | UNIT |
|---|------------------|---------------|-----|--------|------|
| <b>PIN CHARACTERISTICS</b> T <sub>A</sub> = +25°C, CVDD = PLLAVDD = PLLDVDD = OSCVDD = 1.8V ±5%, RVDD = PWMVDD = 3.3V ±10%. All grounds at 0.0V. All voltages referenced to ground  |                  |               |     |        |      |
| High Level Input Drive Voltage (Note 9)   | V <sub>IH</sub>  | 2.0           | -   | -      | V    |
| Low Level Input Drive Voltage (Note 9)  | V <sub>IL</sub>  | -             | -   | 0.8    | V    |
| High Level Output Drive Voltage (Note 10)<br>I <sub>OUT</sub> = -Pad Drive  | V <sub>OH</sub>  | RVDD - 0.3    | -   | -      | V    |
| Low Level Output Drive Voltage (Note 10)<br>I <sub>OUT</sub> = +Pad drive   | V <sub>OL</sub>  | -             | -   | 0.3    | V    |
| High Level Input Drive Voltage (Note 11)  | V <sub>IHX</sub> | 0.7           | -   | OSCVDD | V    |
| Low Level Input Drive Voltage (Note 11)   | V <sub>ILX</sub> | -             | -   | 0.3    | V    |
| High Level Output Drive Voltage OSCOUT pin  | V <sub>OHO</sub> | PLLDVDD - 0.3 | -   | -      | V    |
| Low Level Output Drive Voltage OSCOUT pin   | V <sub>OLO</sub> | -             | -   | 0.3    | V    |
| Input Leakage Current   | I <sub>IN</sub>  | -             | -   | ±10    | uA   |
| Input Capacitance   | C <sub>IN</sub>  | -             | 9   | -      | pF   |
| Output Capacitance  | C <sub>OUT</sub> | -             | 9   | -      | pF   |
| <b>POWER REQUIREMENTS</b> Typical supply currents measured at T <sub>A</sub> = +25°C, PLL at 300MHz, OSC at 27MHz, core running at 150MHz with typical audio data traffic. Minimum supply currents are measured in full power-down configuration. |                  |               |     |        |      |
| Core Supply Pins  | CVDD             | 1.7           | 1.8 | 1.9    | V    |
|   |                  | 0.01          | 325 |        | mA   |
| Digital I/O Pad Ring Supply Pins  | RVDD             | 3.0           | 3.3 | 3.6    | V    |
|   |                  | 0.01          | 10  |        | mA   |
| PWM I/O Pad Ring Supply Pins  | PWMVDD           | 3.0           | 3.3 | 3.6    | V    |
|   |                  | 0.01          | 5   |        | mA   |

**Electrical Specifications (Continued)**

| PARAMETER                | SYMBOL  | MIN  | TYP | MAX | UNIT |
|--------------------------|---------|------|-----|-----|------|
| Analog Supply Pins (PLL) | PLLAVDD | 1.7  | 1.8 | 1.9 | V    |
|                          |         | 0.01 | 10  |     | mA   |
|                          | PLLDVDD | 1.7  | 1.8 | 1.9 | V    |
|                          |         | 0.01 | 2   |     | mA   |
|                          | OSCVDD  | 1.7  | 1.8 | 1.9 | V    |
|                          |         | 0.01 | 4   |     | mA   |

NOTES:

- 9. All input pins except XTALI
- 10. All digital output pins
- 11. For XTALI input overdrive operation only

**Switching Characteristics - Serial Audio Port**  $T_A = +25^\circ\text{C}$ ,  $CVDD = PLLAVDD = PLLDVDD = OSCVDD = 1.8\text{V} \pm 5\%$ ,  $RVDD = PWMVDD = 3.3\text{V} \pm 10\%$ . All grounds at 0.0V. All voltages referenced to ground.

| SYMBOL            | DESCRIPTION                                     | MIN | TYP | MAX  | UNIT |
|-------------------|---|-----|-----|------|------|
| $t_c\text{SCLK}$  | SCKRx frequency - SCKR0, SCKR1                  |     |     | 12.5 | MHz  |
| $t_w\text{SCLK}$  | SCKRx pulse width (high and low) - SCKR0, SCKR1 | 40  |     |      | ns   |
| $t_s\text{LRCLK}$ | LRCKRx set-up to SCLK rising - LRCKR0, LRCKR1   | 20  |     |      | ns   |
| $t_h\text{LRCLK}$ | LRCKRx hold from SCLK rising - LRCKR0, LRCKR1   | 20  |     |      | ns   |
| $t_s\text{SDI}$   | SDINx set-up to SCLK rising - SDINO, SDIN1      | 20  |     |      | ns   |
| $t_h\text{SDI}$   | SDINx hold from SCLK rising - SDINO, SDIN1      | 20  |     |      | ns   |
| $t_d\text{SDO}$   | SDOUTx delay from SCLK falling                  |     |     | 20   | ns   |

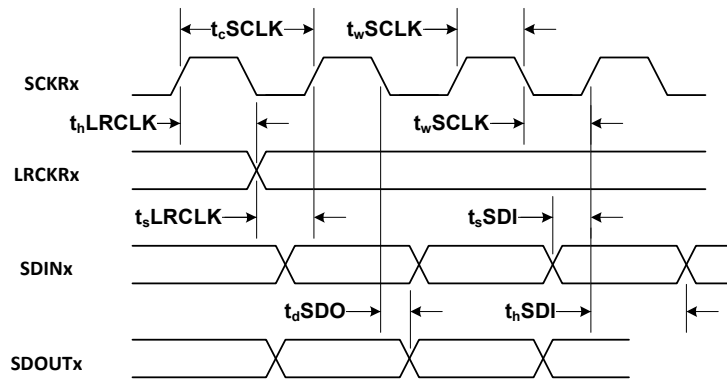


FIGURE 2. SERIAL AUDIO PORT TIMING

**SERIAL AUDIO INTERFACE (SAI PORTS)**

The D2-814xx IC contains one SAI port for each pair of channels. Each input can support an individually selectable sample rate from 32kHz to 192kHz. All digital audio inputs are 3.3V CMOS logic. The SAI port is designed to interface with standard digital audio components and to accept I<sup>2</sup>S or Left-Justified data formats. Note: This port is entirely independent from the Reserved SAI port. The Reserved SAI port may or may not be used in a particular design.

LRCK is high. Either format requires data to be valid on the rising edge of SCLK and sent MSB-first on SDIN with 32 bits of data per channel. Each set of digital inputs runs asynchronously to the others and may accept different sample rates and formats.

For I<sup>2</sup>S format, the left channel data is read when LRCK is low. For the Left-Justified format, the left channel data is read when

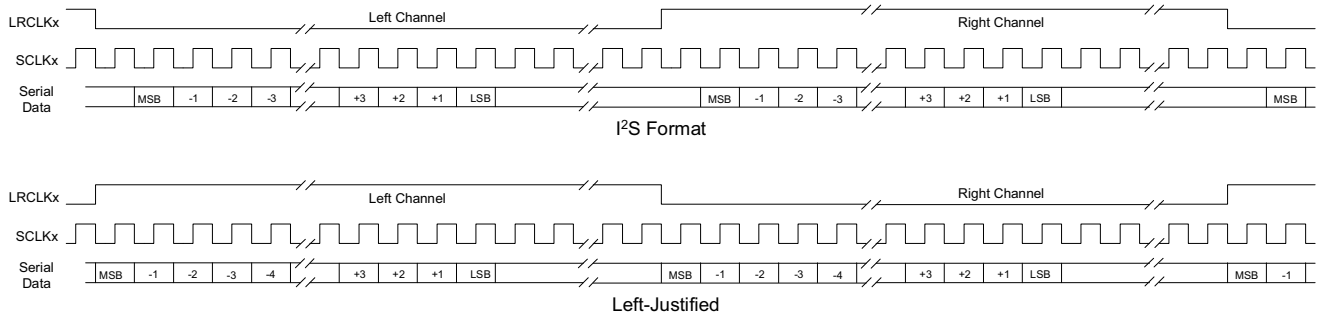


FIGURE 3. SAI PORT DATA FORMATS

**Switching Characteristics - 2-Wire Interface**  $T_A = +25^\circ\text{C}$ ,  $CVDD = PLLAVD = PLLDVDD = OSCVDD = 1.8\text{V} \pm 5\%$ ,  $RVDD = PWMVDD = 3.3\text{V} \pm 10\%$ . All grounds at 0.0V. All voltages referenced to ground.

| SYMBOL                  | DESCRIPTION  | MIN | MAX | UNIT |
|-------------------------|--|-----|-----|------|
| fSCL                    | SCL frequency  |     | 100 | kHz  |
| t <sub>buf</sub>        | Bus free time between transmissions                      | 4.7 |     | μs   |
| t <sub>wlow</sub> SCLx  | SCL clock low  | 4.7 |     | μs   |
| t <sub>whigh</sub> SCLx | SCL clock high   | 4.0 |     | μs   |
| t <sub>s</sub> STA      | Setup time for a (repeated) Start                        | 4.7 |     | μs   |
| t <sub>h</sub> STA      | Start condition Hold time                                | 4.0 |     | μs   |
| t <sub>h</sub> SDAx     | SDA hold from SCL falling (see <a href="#">Note 12</a> ) | 0   |     | μs   |
| t <sub>s</sub> SDAx     | SDA setup time to SCL rising                             | 250 |     | ns   |
| t <sub>d</sub> SDAx     | SDA output delay time from SCL falling                   |     | 3.5 | μs   |
| t <sub>r</sub>          | Rise time of both SDA and SCL                            |     | 1   | μs   |
| t <sub>f</sub>          | Fall time of both SDA and SCL                            |     | 300 | ns   |
| t <sub>s</sub> STO      | Setup time for a Stop condition                          | 4.7 |     | μs   |

NOTE:

12. Data must be held sufficient time to bridge the 300ns transition time of SCL.

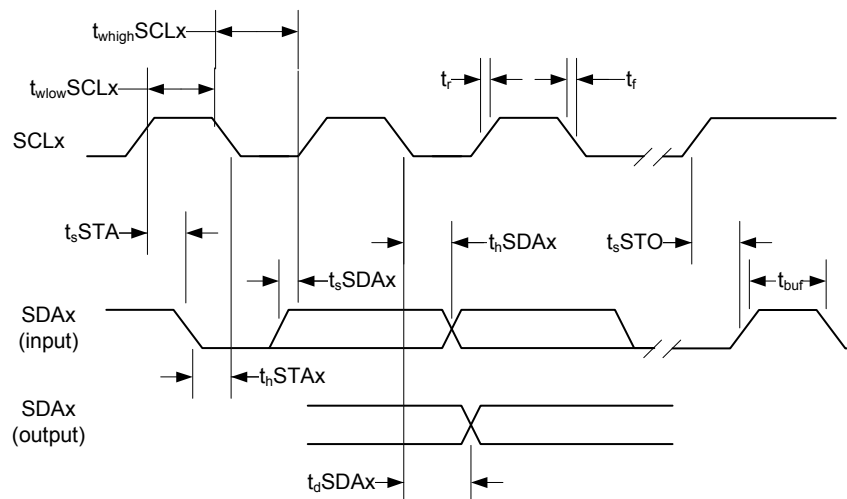
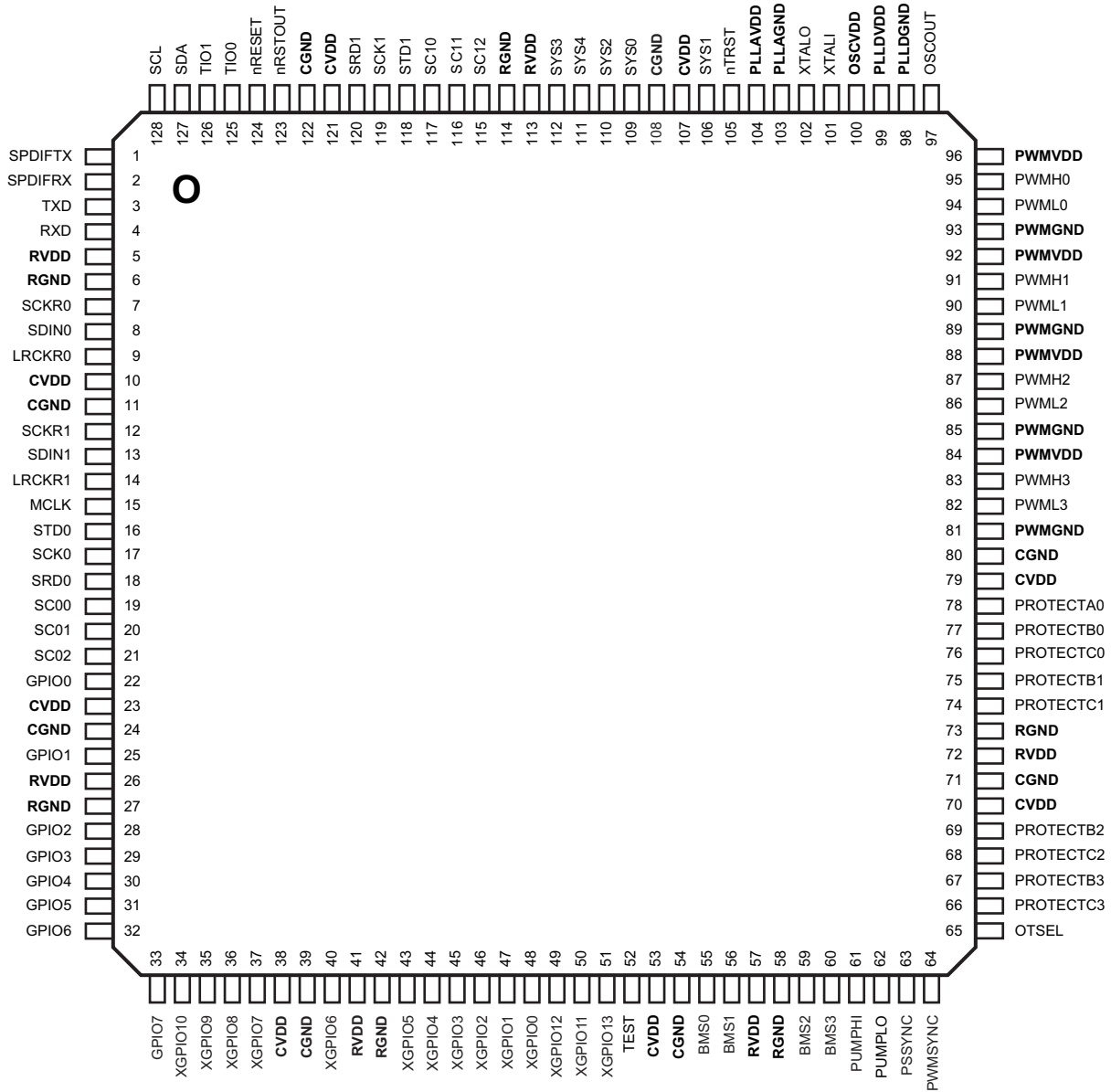


FIGURE 4. 2-WIRE INTERFACE TIMING

# Pin Configuration

D2-814XX  
(128 LD LQFP)  
TOP VIEW



## Pin Definitions - 128 Ld LQFP Package

| PIN NUMBER                               | PORT NAME | TYPE   | DESCRIPTION                              |
|--|-----------|--------|--|
| <b>SERIAL AUDIO INTERFACE (SAI) PINS</b> |           |        |  |
| 15                                       | MCLK      | Output | Master Clock                             |
| 7  | SCKR0     | I/O    | Serial Audio Bit Clock Receiver 0        |
| 9  | LRCKR0    | I/O    | Serial Audio Left/Right Clock Receiver 0 |
| 8  | SDIN0     | Input  | Serial Audio Data In 0                   |
| 12                                       | SCKR1     | I/O    | Serial Audio Bit Clock Receiver 1        |
| 14                                       | LRCKR1    | I/O    | Serial Audio Left/Right Clock Receiver 1 |



## Pin Definitions - 128 Ld LQFP Package (Continued)

| PIN NUMBER                                    | PORT NAME   | TYPE   | DESCRIPTION                       |
|---|-------------|--------|-----------------------------------|
| 13  | SDIN1       | Input  | Serial Audio Data In 1            |
| <b>SPDIF PINS</b>                             |             |        |                                   |
| 1   | SPDIFTX     | Output | S/PDIF data output                |
| 2   | SPDIFRX     | Input  | S/PDIF data input                 |
| <b>PWM PINS</b>                               |             |        |                                   |
| 95  | PWMH0       | Output | Channel 0 PWM high-side output    |
| 94  | PWML0       | Output | Channel 0 PWM low-side output     |
| 91  | PWMH1       | Output | Channel 1 PWM high-side output    |
| 90  | PWML1       | Output | Channel 1 PWM low-side output     |
| 87  | PWMH2       | Output | Channel 2 PWM high-side output    |
| 86  | PWML2       | Output | Channel 2 PWM low-side output     |
| 83  | PWMH3       | Output | Channel 3 PWM high-side output    |
| 82  | PWML3       | Output | Channel 3 PWM low-side output     |
| 65  | OTSEL       | Input  | Output topology select input      |
| 64  | PWMSYNC     | I/O    | PWM Sync                          |
| <b>2-WIRE SERIAL PINS</b>                     |             |        |                                   |
| 128   | SCL         | I/O    | Two-wire serial clock             |
| 127   | SDA         | I/O    | Two-wire serial data              |
| <b>XGPIO PINS</b>                             |             |        |                                   |
| 34, 35, 36, 37, 40, 43,<br>44, 45, 46, 47, 48 | XGPIO[10:0] | I/O    | General purpose I/O               |
| 50  | XGPIO[11]   | I/O    |                                   |
| 49  | XGPIO[12]   | I/O    |                                   |
| 51  | XGPIO[13]   | I/O    |                                   |
| <b>GPIO PINS</b>                              |             |        |                                   |
| 33, 32, 31, 30, 29, 28,<br>25, 22             | GPIO[7:0]   | I/O    | General purpose I/O               |
| <b>RESET AND TEST PINS</b>                    |             |        |                                   |
| 124   | nRESET      | Input  | Reset - active low                |
| 123   | nRSTOUT     | Output | Reset output- active low output   |
| 105   | nTRST       | Input  | Test reset - active low           |
| 52  | TEST        | Input  | Hardware test pin                 |
| <b>CRYSTAL OSCILLATOR AND PLL PINS</b>        |             |        |                                   |
| 97  | OSCOUT      | Output | Oscillator output to slave device |
| 101   | XTALI       | Input  | Crystal Oscillator input          |
| 102   | XTALO       | Output | Crystal Oscillator output         |

## Pin Definitions - 128 Ld LQFP Package (Continued)

| PIN NUMBER  | PORT NAME     | TYPE   | DESCRIPTION   |
|---|---------------|--------|---|
| <b>SYSTEM CONFIGURATION PINS</b>                  |               |        |   |
| 109   | SYS0          | I/O    | Reserved for factory test                           |
| 106   | SYS1          | I/O    |   |
| 110   | SYS2          | I/O    |   |
| 112   | SYS3          | I/O    |   |
| 111   | SYS4          | I/O    |   |
| <b>SERIAL COMMUNICATIONS INTERFACE (SCI) PINS</b> |               |        |   |
| 4   | RXD           | I/O    | SCI receive data                                    |
| 3   | TXD           | I/O    | SCI transmit data                                   |
| <b>RESERVED SERIAL AUDIO INTERFACE PINS</b>       |               |        |   |
| 16  | STD0          | I/O    | Reserved Serial Audio Interface 0 Tx Data or GPIO   |
| 17  | SCK0          | I/O    | Reserved Serial Audio Interface 0 Clock or GPIO     |
| 18  | SRD0          | I/O    | Reserved Serial Audio Interface 0 Rx Data or GPIO   |
| 19  | SC00          | I/O    | Reserved Serial Audio Interface 0 Control 0 or GPIO |
| 20  | SC01          | I/O    | Reserved Serial Audio Interface 0 Control 1 or GPIO |
| 21  | SC02          | I/O    | Reserved Serial Audio Interface 0 Control 2 or GPIO |
| 118   | STD1          | I/O    | Reserved Serial Audio Interface 1 Tx Data or GPIO   |
| 119   | SCK1          | I/O    | Reserved Serial Audio Interface 1 Clock or GPIO     |
| 120   | SRD1          | I/O    | Reserved Serial Audio Interface 1 Rx Data or GPIO   |
| 117   | SC10          | I/O    | Reserved Serial Audio Interface 1 Control 0 or GPIO |
| 116   | SC11          | I/O    | Reserved Serial Audio Interface 1 Control 1 or GPIO |
| 115   | SC12          | I/O    | Reserved Serial Audio Interface 1 Control 2 or GPIO |
| <b>BOOT MODE SELECT PINS</b>                      |               |        |   |
| 55  | BMS0          | Input  | Boot Mode Select 0                                  |
| 56  | BMS1          | Input  | Boot Mode Select 1                                  |
| 59  | BMS2          | Input  | Boot Mode Select 2                                  |
| 60  | BMS3          | Input  | Boot Mode Select 3                                  |
| <b>TIMER (TIO) PINS</b>                           |               |        |   |
| 126, 125  | TIO[1:0]      | I/O    | Timer I/O ports                                     |
| 61  | PUMPHI        | I/O    | Power supply pump control, high-side or GPIO        |
| 62  | PUMPLO        | I/O    | Power supply pump control, low-side or GPIO         |
| 63  | PSSYNC        | I/O    | Power supply synchronization or GPIO                |
| <b>PWM PROTECTION PINS</b>                        |               |        |   |
| 78  | PROTECTAO     | I/O    | PWM Temperature status input, or GPIO               |
| 67, 69, 75, 77                                    | PROTECTB[3:0] | I/O    | PWM Overcurrent Protection inputs, or GPIO          |
| 66, 68, 74, 76                                    | PROTECTC[3:0] | I/O    | PWM Shoot Through Current inputs or GPIO            |
| <b>POWER PINS</b>                                 |               |        |   |
| 104   | PLLAVDD       | Power  | PLL Analog power                                    |
| 103   | PLLAGND       | Ground | PLL Analog ground                                   |

## Pin Definitions - 128 Ld LQFP Package (Continued)

| PIN NUMBER                          | PORT NAME | TYPE   | DESCRIPTION                      |
|-------------------------------------|-----------|--------|----------------------------------|
| 99                                  | PLLDVDD   | Power  | PLL Digital power                |
| 98                                  | PLLDGND   | Ground | PLL Digital ground               |
| 100                                 | OSCVDD    | Power  | Oscillator power                 |
| 121, 107, 79, 70, 53,<br>38, 23, 10 | CVDD      | Power  | Core power - 8 pins              |
| 122, 108, 80, 71, 54,<br>39, 24, 11 | CGND      | Ground | Core ground - 8 pins             |
| 96, 92, 88, 84                      | PWMVDD    | Power  | PWM output pin power - 4 pins    |
| 93, 89, 85, 81                      | PWMGND    | Ground | PWM output pin ground - 4 pins   |
| 113, 72, 57, 41, 26, 5              | RVDD      | Power  | Digital pad ring power - 6 pins  |
| 114, 73, 58, 42, 27, 6              | RGND      | Ground | Digital pad ring ground - 6 pins |

### Pin Descriptions 128 Ld Package

Pins are 100% firmware and Reference Design Platform (RDP) Package dependent for their functionality. Output pins have one of 3 drive strengths - 4mA, 8mA, or 16mA. These strengths are characterized by the current that the pin will source or sink at the specified output voltage level.

#### SERIAL AUDIO INTERFACE (SAI) PINS

##### MCLK Master Clock Output

Master Clock output for external ADC/DAC components with 8mA drive strength. Pin drives low on reset. MCLK is also used by test hardware to monitor various internal clocks.

##### SCKR0 SAI Receiver Bit Clock 1

SAI Receiver 0 bit clock is an output when D2-814xx is a master, or an input when D2-814xx is a slave. Defaults to an input on reset. Output has 4mA drive strength. Input has hysteresis.

##### LRCKR0 SAI Receiver Left/Right Clock 0

SAI Receiver 0 left/right audio frame clock is an output when D2-814xx is a master or an input when D2-814xx is a slave. Defaults to an input on reset. Output has 4mA drive strength. Input has hysteresis.

##### SDIN0 SAI Receiver Serial Data Input 0

SAI Receiver 0 data input.

##### SCKR1 SAI Receiver Bit Clock 1

SAI Receiver 1 bit clock is an output when D2-814xx is a master, or an input when D2-814xx is a slave. Defaults to an input on reset. Output has 4mA drive strength. Input has hysteresis.

##### LRCKR1 SAI Receiver Left/Right Clock 1

SAI Receiver 1 left/right audio frame clock is an output when D2-814xx is a master or an input when D2-814xx is a slave. Defaults to an input on reset. Output has 4mA drive strength. Input has hysteresis.

##### SDIN1 SAI Receiver Serial Data Input 1

SAI Receiver 1 data input.

#### S/PDIF PINS

##### SPDIFRX S/PDIF Data Input

This pin is the S/PDIF audio input and accepts a 3.3V stereo input up to 192kHz. To drive this pin, appropriate buffer and/or isolation circuits may be necessary to convert the S/PDIF cable input signal to clean logic levels.

##### SPDIFTX S/PDIF Data Output

This pin is the S/PDIF audio output and drives a 3.3V stereo output up to 192kHz.

#### PWM PINS

##### PWMxH PWM High-side Driver Outputs

PWM high-side driver outputs, where x is 0 to 3, with 16mA drive strength. Pin drives to state determined by OTSEL on reset.

##### PWMxL PWM Low-Side Driver Outputs

PWM low-side driver outputs, where x is 0 to 3, with 16mA drive strength. Pin drives low on reset.

##### OTSEL Output Topology Select Input

Output topology select input. OTSEL pin state controls the PWMxH drive polarity. Typically, OTSEL will be tied either high for active-low PWMxH FET drivers, or tied low for active-high PWMxH FET drivers.

##### PWMSYNC PWM Synchronization

PWM synchronization port with 4mA drive. Used in multi-D2-814xx configurations to synchronize the PWM controllers. The master D2-814xx will drive synchronization data to the slave D2-814xx(s), thus the pin will be an output on the master D2-814xx and an input on the slave D2-814xx(s). Pin floats on reset.

#### 2-WIRE SERIAL PINS

##### SCL Serial Clock

Two-Wire Serial clock port, open drain driver with 4mA drive strength. Bidirectional signal is used by both the master and slave controllers for clock signaling.

**SDA Serial Data**

Two-Wire Serial data port, open drain driver with 4mA drive strength. Bidirectional signal used by both the master and slave controllers for data transport.

**XGPIO PINS****XGPIO[10:0] General Purpose I/O**

Bidirectional GPIO port with 4mA driver. Resets to input port.

**XGPIO[11] General Purpose I/O**

Bidirectional GPIO port with 4mA driver. Resets to input port.

**XGPIO[12] General Purpose I/O**

Bidirectional GPIO port with 4mA driver. Resets to input port.

**XGPIO[13] General Purpose I/O**

Bidirectional GPIO port with 4mA driver. Resets to input port.

**RESET AND TEST PINS****nRESET System Reset Input**

Active low reset input with hysteresis. Low level activates system level reset, initializing all internal logic and program operations. System latches boot mode selection on the IRQ input pins on the rising edge.

**nRSTOUT System Reset Output**

Active low reset output with 4mA driver. Pin drives low on any of POR output, 3.3V brown out detector, 1.8V brown out detector.

**TEST Test Mode Input**

Hardware test mode control. For D2Audio usage only. Must be tied low.

**nTRST Test Reset Input**

Active low test port reset. Low level activates test reset, initializing test hardware. Must be driven low with nRESET.

**CRYSTAL OSCILLATOR AND PLL PINS****OSCOUT Oscillator Output**

Analog oscillator output to slave D2-814xx devices. On reset, OSCOUT drives a buffered version of the crystal oscillator signal from the XTALI pin. May be turned off by program control.

**XTALI Crystal Oscillator Input**

Crystal oscillator analog input port. An external clock source would be driven into the this port. In multi-D2-814xx systems, the OSCOUT from the master D2-814xx would drive the XTALI pin.

**XTALO Crystal Oscillator Output**

Crystal oscillator analog output port. When using an external clock source, this pin must be open.

**GPIO PINS****GPIO[7:0] General Purpose I/O**

Bidirectional GPIO ports with 4mA driver. Resets to input ports.

**SYSTEM CONFIGURATION PINS****SYS0 System Configuration Data 0**

Reserved for factory test. Tie low with 10kΩ resistor.

**SYS1 System Configuration Data 1**

Reserved for factory test. Tie high with 10kΩ resistor.

**SYS2 System Configuration Data 2**

Reserved for factory test. Tie high with 10kΩ resistor.

**SYS3 System Configuration Data 3**

Reserved for factory test. Tie high with 10kΩ resistor.

**SYS4 System Configuration Data 4**

Reserved for factory test. Tie high with 10kΩ resistor.

**SERIAL COMMUNICATIONS INTERFACE (SCI) PINS****RXD Receive Data**

Serial communications receiver data with 4mA drive. Resets to input port. May be configured to GPIO.

**TXD Transmit Data**

Serial communications transmitter data with 4mA drive. Resets to input port. May be configured to GPIO.

**OPTIONAL/RESERVED FUNCTION PINS****SCK0 Reserved Serial Audio Interface 0 Serial Clock**

Serial Audio Interface 0 serial clock port with 4mA driver and hysteresis receiver. Resets to input port. May be configured as GPIO.

**SC00-SC02 Reserved Serial Audio Interface 0 Serial Control**

0 serial control port with 4mA driver. Resets to input port. May be configured as GPIO.

**STD0 Reserved Serial Audio Interface 0 Serial Transmit Data**

Serial Audio Interface 0 serial transmit data port with 4mA driver. Resets to input port. May be configured as GPIO.

**SRD0 Reserved Serial Audio Interface 0 Serial Receive Data**

Serial Audio Interface 0 serial receive data port with 4mA driver. Resets to input port. May be configured as GPIO.

**SCK1 Reserved Serial Audio Interface 1 Serial Clock**

Serial Audio Interface 1 serial clock port with 4mA driver and hysteresis receiver. Resets to input port. May be configured as GPIO.

**SC10-SC12 Reserved Serial Audio Interface 1 Serial Control**

Serial Audio Interface 1 serial control port with 4mA driver. Resets to input port. May be configured as GPIO.

**STD1 Reserved Serial Audio Interface 1 Serial Transmit Data**

Serial Audio Interface 1 serial transmit data port with 4mA driver. Resets to input port. May be configured as GPIO.

**SRD1 Reserved Serial Audio Interface 1 Serial Receive Data**

Serial Audio Interface 1 serial receive data port with 4mA driver. Resets to input port. May be configured as GPIO.

**BOOT MODE SELECT PINS****BMS[3:0] Boot Mode Select Inputs**

External boot mode select inputs. On nRESET deassertion, these pins provide the boot mode selection.

**TIMER (TIO) PINS****TIO[1:0] Timer**

Timer I/O ports with 4mA driver. May be configured as GPIO.

**PUMPHI Power Supply Pump High**

High-side power supply pump output with 16mA driver. May be configured as GPIO. Drives low on reset. Provides control means for operating an external switching power supply.

**PUMPLO Power Supply Pump Low**

Low-side power supply pump output with 16mA driver. May be configured as GPIO. Drives low on reset. Provides control means for operating an external switching power supply.

**PSSYNC Power Supply Synchronization**

Switching power supply synchronization signal with 16mA driver. May be configured as GPIO. Resets to

input port.

**PWM PROTECTION PINS****PROTECTA0 PWM Temperature Protection Input**

PWM temperature protection input with hysteresis. May be configured as GPIO. In this instance, the GPIO pin has a 4mA driver.

**PROTECTB[3:0] PWM Overcurrent Protection Inputs**

PWM overcurrent protection inputs with hysteresis. May be configured as GPIO. In this instance, the GPIO pins each have a 4mA driver. Each PWMOC input is associated with the corresponding PWM driver channel.

**PROTECTC[3:0] PWM Shoot-Through Current Protection**

PWM shoot-through-current protection inputs with hysteresis. In this instance, the GPIO pins each have a 4mA driver. May be configured as GPIO. Each PWMSTC input is associated with the corresponding PWM driver channel.

**POWER PINS****PLLAVDD/PLLAGND PLL Analog power and ground**

PLL analog supply/return. This 1.8V supply is used for the jitter critical sections of the PLL.

**PLLDVDD/PLLDGND PLL Digital power and ground**

PLL digital supply/return. This 1.8V supply is used for the “dirty” sections of the PLL, and provides the pad supplies for all of the analog pads. Note that PLLDGND and CGND are connected through the substrate.

**OSCVDD Oscillator power**

Oscillator supply. This 1.8V supply is used for the crystal oscillator and oscillator bias circuits only.

**CVDD/CGND Core power and ground**

Core supply/return. This 1.8V supply is used in the chip interior logic and pad ring interfaces. There are 8 core supply pad pairs internally connected around the pad ring.

**PWMVDD/PWMGND PWM driver power and ground**

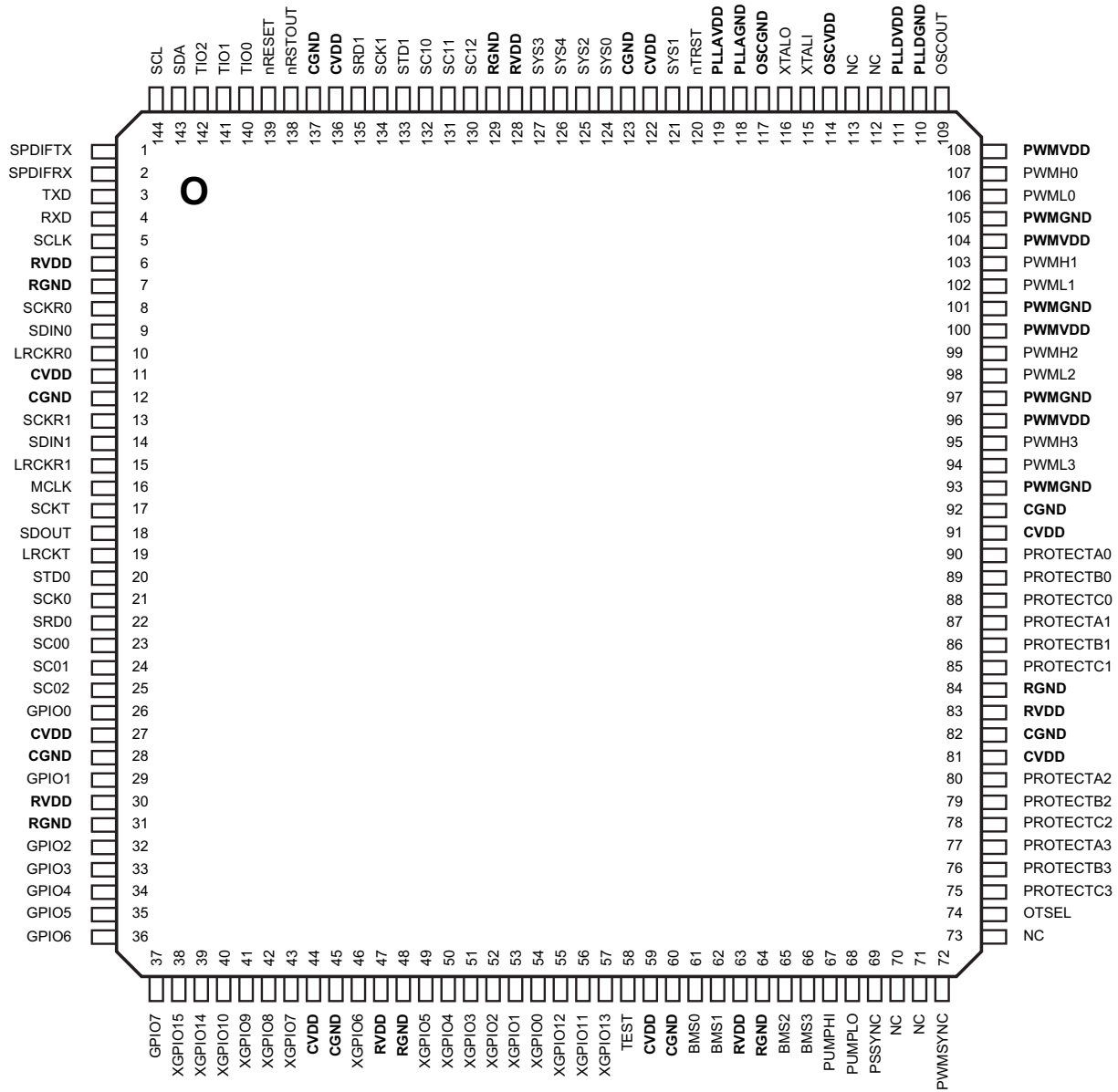
PWM I/O pad driver supply/return. This 3.3V supply is used for the PWM pad drivers only. There are 4 PWM internally connected supply pairs, one for each PWM data channel.

**RVDD/RGND Pad Ring power and ground**

Ring I/O pad driver supply/return. This 3.3V supply is used for all the digital I/O pad drivers and receivers except for the PWM and analog pads. There are 6 ring supply pairs internally connected around the pad ring.

# Pin Configuration

D2-814XX  
(144 LD LQFP)  
TOP VIEW



## Pin Definitions, 144 Ld LQFP Package

| PIN NUMBER                               | PORT NAME | TYPE   | DESCRIPTION                                    |
|--|-----------|--------|--|
| <b>SERIAL AUDIO INTERFACE (SAI) PINS</b> |           |        |  |
| 16                                       | MCLK      | Output | Master clock output                            |
| 8  | SCKR0     | I/O    | Serial Audio Input 0 clock receiver            |
| 10                                       | LRCKR0    | I/O    | Serial Audio Input 0 left/right clock receiver |
| 9  | SDIN0     | Input  | Serial Audio Input 0 data                      |
| 13                                       | SCKR1     | I/O    | Serial Audio Input Clock 1 receiver            |
| 15                                       | LRCKR1    | I/O    | Serial Audio Input 1 left/right clock receiver |

## Pin Definitions, 144 Ld LQFP Package (Continued)

| PIN NUMBER                             | PORT NAME   | TYPE   | DESCRIPTION                                   |
|--|-------------|--------|---|
| 14                                     | SDIN1       | Input  | Serial Audio Input 1 data                     |
| 17                                     | SCKT        | I/O    | Serial Audio Output clock transmit            |
| 19                                     | LRCKT       | I/O    | Serial Audio Output left/right clock transmit |
| 18                                     | SDOUT       | Output | Serial Audio Output                           |
| <b>S/PDIF</b>                          |             |        |   |
| 1                                      | SPDIFTX     | Output | S/PDIF data out                               |
| 2                                      | SPDIFRX     | Input  | S/PDIF data in                                |
| <b>PWM PINS</b>                        |             |        |   |
| 107                                    | PWMH0       | Output | Channel 0 PWM high-side output                |
| 106                                    | PWML0       | Output | Channel 0 PWM low-side output                 |
| 103                                    | PWMH1       | Output | Channel 1 PWM high-side output                |
| 102                                    | PWML1       | Output | Channel 1 PWM low-side output                 |
| 99                                     | PWMH2       | Output | Channel 2 PWM high-side output                |
| 98                                     | PWML2       | Output | Channel 2 PWM low-side output                 |
| 95                                     | PWMH3       | Output | Channel 3 PWM high-side output                |
| 94                                     | PWML3       | Output | Channel 3 PWM low-side output                 |
| 74                                     | OTSEL       | Input  | Output topology select input                  |
| 72                                     | PWMSYNC     | I/O    | PWM sync                                      |
| <b>2-WIRE SERIAL PINS</b>              |             |        |   |
| 144                                    | SCL         | I/O    | Two-wire serial clock                         |
| 143                                    | SDA         | I/O    | Two-wire serial data                          |
| <b>XGPIO PINS</b>                      |             |        |   |
| 43, 46, 49, 50,<br>51, 52, 53, 54      | XGPIO[7:0]  | I/O    | General purpose I/O                           |
| 38, 39, 57, 55,<br>56, 40, 41, 42      | XGPIO[15:8] | I/O    |   |
| <b>RESET AND TEST PINS</b>             |             |        |   |
| 139                                    | nRESET      | Input  | Reset - active low                            |
| 138                                    | nRSTOUT     | Output | Reset output- active low output               |
| 120                                    | nTRST       | Input  | Test reset - active low                       |
| 58                                     | TEST        | Input  | Hardware test pin                             |
| <b>CRYSTAL OSCILLATOR AND PLL PINS</b> |             |        |   |
| 109                                    | OSCOUT      | Output | Oscillator output to slave device             |
| 115                                    | XTALI       | Input  | Crystal Oscillator input                      |
| 116                                    | XTALO       | Output | Crystal Oscillator output                     |
| <b>GPIO PINS</b>                       |             |        |   |
| 37, 36, 35, 34,<br>33, 32, 29, 26      | GPIO[7:0]   | I/O    | General Purpose I/O                           |

## Pin Definitions, 144 Ld LQFP Package (Continued)

| PIN NUMBER  | PORT NAME     | TYPE  | DESCRIPTION   |
|---|---------------|-------|---|
| <b>SYSTEM CONFIGURATION PINS</b>                  |               |       |   |
| 124   | SYS0          | I/O   | Reserved for factory test                           |
| 121   | SYS1          | I/O   |   |
| 125   | SYS2          | I/O   |   |
| 127   | SYS3          | I/O   |   |
| 126   | SYS4          | I/O   |   |
| <b>SERIAL COMMUNICATIONS INTERFACE (SCI) PINS</b> |               |       |   |
| 5   | SCLK          | I/O   | SCI clock   |
| 4   | RXD           | I/O   | SCI receive data                                    |
| 3   | TXD           | I/O   | SCI transmit data                                   |
| <b>RESERVED SERIAL AUDIO INTERFACE PINS</b>       |               |       |   |
| 20  | STD0          | I/O   | Reserved Serial Audio Interface 0 Tx Data or GPIO   |
| 21  | SCK0          | I/O   | Reserved Serial Audio Interface 0 Clock or GPIO     |
| 22  | SRD0          | I/O   | Reserved Serial Audio Interface 0 Rx Data or GPIO   |
| 23  | SC00          | I/O   | Reserved Serial Audio Interface 0 Control 0 or GPIO |
| 24  | SC01          | I/O   | Reserved Serial Audio Interface 0 Control 1 or GPIO |
| 25  | SC02          | I/O   | Reserved Serial Audio Interface 0 Control 2 or GPIO |
| 133   | STD1          | I/O   | Reserved Serial Audio Interface 1 Tx Data or GPIO   |
| 134   | SCK1          | I/O   | Reserved Serial Audio Interface 1 Clock or GPIO     |
| 135   | SRD1          | I/O   | Reserved Serial Audio Interface 1 Rx Data or GPIO   |
| 132   | SC10          | I/O   | Reserved Serial Audio Interface 1 Control 0 or GPIO |
| 131   | SC11          | I/O   | Reserved Serial Audio Interface 1 Control 1 or GPIO |
| 130   | SC12          | I/O   | Reserved Serial Audio Interface 1 Control 2 or GPIO |
| <b>BOOT MODE SELECT PINS</b>                      |               |       |   |
| 61  | BMS0          | Input | Boot Mode Select 0                                  |
| 62  | BMS1          | Input | Boot Mode Select 1                                  |
| 65  | BMS2          | Input | Boot Mode Select 2                                  |
| 66  | BMS3          | Input | Boot Mode Select 3                                  |
| <b>TIMER (TIO) PINS</b>                           |               |       |   |
| 142, 141, 140                                     | TIO[2:0]      | I/O   | Timer I/O ports                                     |
| 67  | PUMPHI        | I/O   | Power supply pump control, high-side or GPIO        |
| 68  | PUMPLO        | I/O   | Power supply pump control, low-side or GPIO         |
| 69  | PSSYNC        | I/O   | Power supply synchronization or GPIO                |
| <b>PWM PROTECTION PINS</b>                        |               |       |   |
| 77, 80, 87, 90                                    | PROTECTA[3:0] | I/O   | PWM Temperature status input, or GPIO               |
| 76, 79, 86, 89                                    | PROTECTB[3:0] | I/O   | PWM Over Current Protection inputs, or GPIO.        |
| 75, 78, 85, 88                                    | PROTECTC[3:0] | I/O   | PWM Shoot Through Current inputs or GPIO.           |



## Pin Definitions, 144 Ld LQFP Package (Continued)

| PIN NUMBER                          | PORT NAME | TYPE   | DESCRIPTION                      |
|-------------------------------------|-----------|--------|----------------------------------|
| <b>POWER PINS</b>                   |           |        |                                  |
| 119                                 | PLLA VDD  | Power  | PLL Analog power                 |
| 118                                 | PLLA GND  | Ground | PLL Analog ground                |
| 111                                 | PLLD VDD  | Power  | PLL Digital power                |
| 110                                 | PLLD GND  | Ground | PLL Digital ground               |
| 114                                 | OSC VDD   | Power  | Oscillator power                 |
| 117                                 | OSC GND   | Ground | Oscillator ground                |
| 11, 27, 44, 59,<br>81, 91, 122, 136 | CVDD      | Power  | Core power - 8 pins              |
| 12, 28, 45, 60,<br>82, 92, 123, 137 | CGND      | Ground | Core ground - 8 pins             |
| 96, 100, 104, 108                   | PWM VDD   | Power  | PWM output pin power - 4 pins    |
| 93, 97, 101, 105                    | PWM GND   | Ground | PWM output pin ground - 4 pins   |
| 6, 30, 47, 63,<br>83, 128           | RVDD      | Power  | Digital pad ring power - 6 pins  |
| 7, 31, 48,<br>64, 84, 129           | RGND      | Ground | Digital pad ring ground - 6 pins |
| <b>NO CONNECT PINS</b>              |           |        |                                  |
| 70, 71, 73, 112, 113                | NC        |        | No connect, leave pin floating   |

### Pin Descriptions 144-Pin Package

Pins are 100% firmware and Reference Design Platform (RDP) package dependent for their functionality. Output pins have one of 3 drive strengths - 4mA, 8mA, or 16mA. These strengths are characterized by the current that the pin will source or sink at the specified output voltage level.

#### SERIAL AUDIO INTERFACE (SAI) PINS

##### MCLK Master Clock Output

Master Clock output for external ADC/DAC components with 8mA drive strength. Pin drives low on reset. MCLK is also used by test hardware to monitor various internal clocks.

##### SCKR0 SAI Receiver Bit Clock 0

SAI Receiver 0 bit clock is an output when D2-814xx is a master, or an input when D2-814xx is a slave. Defaults to an input on reset. Output has 4mA drive strength. Input has hysteresis.

##### LRCKR0 SAI Receiver Left/Right Clock 0

SAI Receiver 0 left/right audio frame clock is an output when D2-814xx is a master or an input when D2-814xx is a slave. Defaults to an input on reset. Output has 4mA drive strength. Input has hysteresis.

##### SDIN0 SAI Receiver Serial Data Input 0

SAI Receiver 0 data input.

##### SCKR1 SAI Receiver Bit Clock 1

SAI Receiver 1 bit clock is an output when D2-814xx is a master, or an input when D2-814xx is a slave. Defaults to an input on reset. Output has 4mA drive strength. Input has hysteresis.

##### LRCKR1 SAI Receiver Left/Right Clock 1

SAI Receiver 1 left/right audio frame clock is an output when D2-814xx is a master or an input when D2-814xx is a slave. Defaults to an input on reset. Output has 4mA drive strength. Input has hysteresis.

##### SDIN1 SAI Receiver Serial Data Input 1

SAI Receiver 1 data input.

##### SCKT SAI Transmitter Bit Clock

SAI Transmitter bit clock is an output when D2-814xx is a master, or an input when D2-814xx is a slave. Defaults to an input on reset. Output has 4mA drive strength. SCKT is used to monitor the 3.3V brownout detector during the POR hardware test.

##### LRCKT SAI Transmitter Left/Right Clock

SAI Transmitter left/right audio frame clock is an output when D2-814xx is a master, or an input when D2-814xx is a slave. Defaults to an input on reset. Output has 4mA drive strength. LRCKT is used to monitor the 1.8V brown out detector during the POR Hardware test. LRCKT is used to monitor PLL Lock during the PLL Hardware test.

##### SDOUT Serial Data Output

SAI Transmitter data output with 4mA drive strength. Pin drives low on reset.

**S/PDIF PINS****SPDIFRX S/PDIF Data Input**

This pin is the S/PDIF audio input and accepts a 3.3V stereo input up to 192kHz. To drive this pin, appropriate buffer and/or isolation circuits may be necessary to convert the S/PDIF cable input signal to clean logic levels.

**SPDIFTX S/PDIF Data Output**

This pin is the S/PDIF audio output and drives a 3.3V stereo output up to 192kHz.

**PWM PINS****PWMxH PWM High-Side Driver Outputs**

PWM high-side driver outputs, where x is 0 to 3, with 16mA drive strength. Pin drives to state determined by OTSEL on reset.

**PWMxL PWM Low-Side Driver Outputs**

PWM low-side driver outputs, where x is 0 to 3, with 16mA drive strength. Pin drives low on reset.

**OTSEL Output Topology Select Input**

Output topology select input. OTSEL pin state controls the PWMxH drive polarity. Typically, OTSEL will be tied either high for active-low PWMxH FET drivers, or tied low for active-high PWMxH FET drivers.

**PWMSYNC PWM Synchronization**

PWM synchronization port with 4mA drive. Used in multi-D2-814xx configurations to synchronize the PWM controllers. The master D2-814xx will drive synchronization data to the slave D2-814xx(s), thus the pin will be an output on the master D2-814xx and an input on the slave D2-814xx(s). Pin floats on reset.

**2-WIRE SERIAL PINS****SCL Serial Clock**

Two-Wire Serial clock port, open drain driver with 4mA drive strength. Bidirectional signal is used by both the master and slave controllers for clock signaling.

**SDA Serial Data**

Two-Wire Serial data port, open drain driver with 4mA drive strength. Bidirectional signal used by both the master and slave controllers for data transport.

**XGPIO PINS****XGPIO[15:0] Extended General Purpose I/O**

Bidirectional GPIO port with 4mA driver. Resets to input port.

**RESET AND TEST PINS****nRESET System Reset Input**

Active low reset input with hysteresis. Low level activates system level reset, initializing all internal logic and program operations. System latches boot mode selection on the IRQ input pins on the rising edge.

**nRSTOUT System Reset Output**

Active low reset output with 4mA driver. Pin drives low on any of POR output, 3.3V brown out detector, 1.8V brown out detector.

**TEST Test Mode Input**

Hardware test mode control. For D2Audio usage only. Must be tied low.

**nTRST Test Reset Input**

Active low test port reset. Low level activates test reset, initializing test hardware. Must be driven low with nRESET.

**CRYSTAL OSCILLATOR AND PLL PINS****OSCOU Oscillator Output**

Analog oscillator output to slave D2-814xx devices. On reset, OSCOUT drives a buffered version of the crystal oscillator signal from the XTALI pin. May be turned off by program control.

**XTALI Crystal Oscillator Input**

Crystal oscillator analog input port. An external clock source would be driven into the this port. In multi-D2-814xx systems, the OSCOUT from the master D2-814xx would drive the XTALI pin.

**XTALO Crystal Oscillator Output**

Crystal oscillator analog output port. When using an external clock source, this pin must be open.

**GPIO PINS****GPIO[7:0] General Purpose I/O**

Bidirectional GPIO ports with 4mA driver. Resets to input ports.

**SYSTEM CONFIGURATION PINS****SYS0 System Configuration Data 0**

Reserved for factory test. Tie low with 10kΩ resistor.

**SYS1 System Configuration Data 1**

Reserved for factory test. Tie high with 10kΩ resistor.

**SYS2 System Configuration Data 2**

Reserved for factory test. Tie high with 10kΩ resistor.

**SYS3 System Configuration Data 3**

Reserved for factory test. Tie high with 10kΩ resistor.

**SYS4 System Configuration Data 4**

Reserved for factory test. Tie high with 10kΩ resistor.

**SERIAL COMMUNICATIONS INTERFACE (SCI) PINS****SCLK Serial Clock**

Serial communications clock with 4mA drive and hysteresis on input. Resets to input port. May be configured to GPIO.

**RXD Receive Data**

Serial communications receiver data with 4mA drive. Resets to input port. May be configured to GPIO.

**TXD Transmit Data**

Serial communications transmitter data with 4mA drive. Resets to input port. May be configured to GPIO.

**OPTIONAL/RESERVED FUNCTION PINS****SCK0 Reserved Serial Audio Interface 0 Serial Clock**

Serial Audio Interface 0 serial clock port with 4mA driver and hysteresis receiver. Resets to input port. May be configured as GPIO.

**SC00-SC02 Reserved Serial Audio Interface 0 Serial Control**

Serial Audio Interface 0 serial control port with 4mA driver. Resets to input port. May be configured as GPIO.

**STD0 Reserved Serial Audio Interface 0 Serial Transmit Data**

Serial Audio Interface 0 serial transmit data port with 4mA driver. Resets to input port. May be configured as GPIO.

**SRD0 Reserved Serial Audio Interface 0 Serial Receive Data**

Serial Audio Interface 0 serial receive data port with 4mA driver. Resets to input port. May be configured as GPIO.

**SCK1 Reserved Serial Audio Interface 1 Serial Clock**

Serial Audio Interface 1 serial clock port with 4mA driver and hysteresis receiver. Resets to input port. May be configured as GPIO.

**SC10-SC12 Reserved Serial Audio Interface 1 Serial Control**

Serial Audio Interface 1 serial control port with 4mA driver. Resets to input port. May be configured as GPIO.

**STD1 Reserved Serial Audio Interface 1 Serial Transmit Data**

Serial Audio Interface 1 serial transmit data port with 4mA driver. Resets to input port. May be configured as GPIO.

**SRD1 Reserved Serial Audio Interface 1 Serial Receive Data**

Serial Audio Interface 1 serial receive data port with 4mA driver. Resets to input port. May be configured as GPIO.

**BOOT MODE SELECT PINS****BMS[3:0] Boot Mode Select Inputs**

External boot mode select inputs. On nRESET deassertion, these pins provide the boot mode selection.

**TIMER (TIO) PINS****TIO[2:0] Timer**

Timer I/O ports with 4mA driver. May be configured as GPIO.

**PUMPHI Power Supply Pump High**

High-side power supply pump output with 16mA driver. May be configured as GPIO. Drives low on reset. Provides control means for operating an external switching power supply.

**PUMPLO Power Supply Pump Low**

Low-side power supply pump output with 16mA driver. May be configured as GPIO. Drives low on reset. Provides control means for operating an external switching power supply.

**PSSYNC Power Supply Synchronization**

Switching power supply synchronization signal with 16mA driver. May be configured as GPIO. Resets to input port.

**PWM PROTECTION PINS****PROTECTA[3:0] PWM Temperature Protection Inputs**

PWM temperature protection inputs with hysteresis. May be configured as GPIO. In this instance, the GPIO pins each have a 4mA driver. Each PWMTEMP input is associated with the corresponding PWM driver channel.

**PROTECTB[3:0] PWM Overcurrent Protection Inputs**

PWM overcurrent protection inputs with hysteresis. May be configured as GPIO. In this instance, the GPIO pins each have a 4mA driver. Each PWMOCP input is associated with the corresponding PWM driver channel.

**PROTECTC[3:0] PWM Shoot-Through Current Protection**

PWM shoot-through-current protection inputs with hysteresis. May be configured as GPIO. In this instance, the GPIO pins each have a 4mA driver. Each PWMSTC input is associated with the corresponding PWM driver channel.

**POWER PINS****PLLAVDD/PLLAGND PLL Analog power and ground**

PLL analog supply/return. This 1.8V supply is used for the jitter critical sections of the PLL.

**PLLDVDD/PLLDGND PLL Digital power and ground**

PLL digital supply/return. This 1.8V supply is used for the “dirty” sections of the PLL, and provides the pad supplies for all of the analog pads. Note that PLLDGND and CGND are connected through the substrate.

**OSCVDD/OSCGND Oscillator power and ground**

Oscillator supply/return. This 1.8V supply is used for the crystal oscillator and oscillator bias circuits only.

**CVDD/CGND Core power and ground**

Core supply/return. This 1.8V supply is used in the chip interior logic and pad ring interfaces. There are 8 core supply pad pairs internally connected around the pad ring.

**PWMVDD/PWMGND PWM driver power and ground**

PWM I/O pad driver supply/return. This 3.3V supply is used for the PWM pad drivers only. There are 4 PWM internally connected supply pairs, one for each PWM data channel.

**RVDD/RGND Pad Ring power and ground**

Ring I/O pad driver supply/return. This 3.3V supply is used for all the digital I/O pad drivers and receivers except for the PWM and analog pads. There are 6 ring supply pairs internally connected around the pad ring.

# D2-814xx Reset and Boot Modes

## Reset

D2-814xx has a two reset inputs - the nRESET and nTRST input pins. The nRESET input pin is effectively a power-on system reset. All internal state logic, except internal test hardware, is initialized by nRESET. While reset is active the system is held in the reset condition. The reset condition is defined as all internal reset signals being active, the crystal oscillator is running, and the PLL disabled. The nTRST input resets internal factory test hardware only.

To assure proper system initialization, the nTRST input pin must be asserted along with nRESET.

TABLE 1. POWER-ON RESET TIMING DETAILS

| SYMBOL     | DESCRIPTION                            | MIN | TYP | MAX | UNIT |
|------------|--|-----|-----|-----|------|
| t-1.8Vgood | Valid 1.8V power before nRESET release | 10  |     |     | ns   |
| t-3.3Vgood | Valid 3.3V power before nRESET release | 10  |     |     | ns   |
| tBMSsu     | Boot Mode Select (BMS[3:0]) setup      | 10  |     |     | ns   |
| tBMSHld    | Boot Mode Select (BMS[3:0]) hold       | 0   |     |     | ns   |

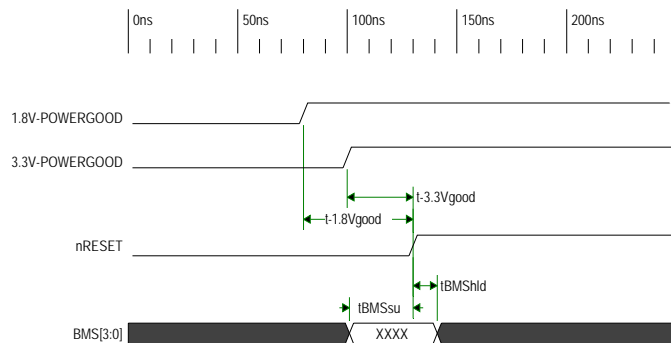


FIGURE 5. POWER-ON RESET TIMING

## Boot Modes

The boot mode is determined by the BMS[3:0] pin inputs. The BMS[3:0] pin state is latched on the deassertion of system reset. It is expected that the application board will have pull-ups in the BMS[3:0] pins, so that the desired boot mode is selected by default. Table 2 defines the boot modes.

TABLE 2. BOOT MODES

| MODE | BMS[3:0] | M/S | INTERFACE SPEED | DESCRIPTION   |
|------|----------|-----|-----------------|---|
| 0    | 0000     |     |                 | RESERVED  |
| 1    | 0001     | M   | 400kb/s         | ROM on 2-wire 0 port  |
| 2    | 0010     | S   | 384Kb/s         | Fast Asynchronous SCI slave boot (ex: D2-814xx to D2-814xx) |
| 3    | 0011     | S   | per Master      | SPI slave   |
| 7    | 0111     | M   | 384Kb/s         | 2-wire ROM on GPIO port (SCL = GPIO7, SDA = GPIO6)          |
| 8    | 1000     |     |                 | RESERVED  |
| 9    | 1001     |     |                 | RESERVED  |
| A    | 1010     |     |                 | RESERVED  |

TABLE 2. BOOT MODES (Continued)

| MODE | BMS[3:0] | M/S | INTERFACE SPEED | DESCRIPTION                                      |
|------|----------|-----|-----------------|--|
| B    | 1011     |     |                 | RESERVED   |
| C    | 1100     | S   | per Master      | 2-wire slave boot from micro, address = 1000100x |
| D    | 1101     |     |                 | RESERVED   |
| E    | 1110     |     |                 | RESERVED   |
| F    | 1111     |     |                 | RESERVED   |

The Interface Speed specification is the speed at which the interface is configured to operate by the boot code. For the selection where the interface speed is “per Master”, the interface must operate within the requirements of the selected interface specification. For example, the EEPROM boot speed with 2-wire interface is 400kHz.

TABLE 3. EXTERNAL HOST BOOT TIMING DETAILS

| SYMBOL      | DESCRIPTION                          | MIN     | TYP | MAX | UNIT |
|-------------|--------------------------------------|---------|-----|-----|------|
| tBMSsu      | Boot Mode Select (BMS[3:0]) setup    | 10      |     |     | ns   |
| tBMSHld     | Boot Mode Select (BMS[3:0]) hold     | 0       |     |     | ns   |
| tEXTbootRDY | 2-Wire external source ready to boot | 2400000 |     |     | ns   |

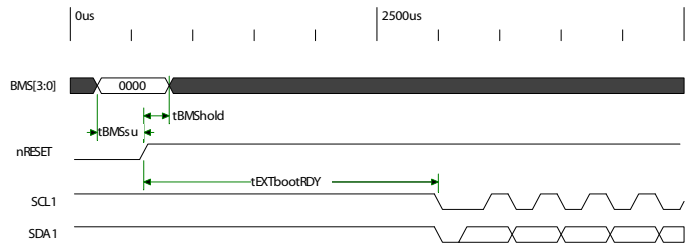
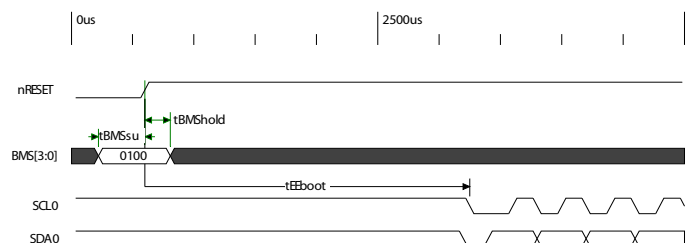


TABLE 4. 2-WIRE EEPROM BOOT TIMING DETAILS

| SYMBOL  | DESCRIPTION                       | MIN     | TYP | MAX | UNIT |
|---------|-----------------------------------|---------|-----|-----|------|
| tEEboot | 2-Wire EE boot delay              | 2650000 |     |     | ns   |
| tBMSsu  | Boot Mode Select (BMS[3:0]) setup | 10      |     |     | ns   |
| tBMSHld | Boot Mode Select (BMS[3:0]) hold  | 0       |     |     | ns   |



**Revision History** The revision history provided is for informational purposes only and is believed to be accurate, but not warranted. Please go to the web to make sure that you have the latest revision.

|  |  |
|--|--|
| <b>07/25/05</b>  | <b>REVISION 0.0.1 - FIRST INTERNAL RELEASE.</b>  |
| Created new data sheet template, updated product features, included new drawings of 128-pin package, included new 128-pin pinout and pin name descriptions.  |  |
| <b>08/12/05</b>  | <b>REVISION 0.0.2 - SECOND INTERNAL RELEASE.</b> |
| Updated product features, included new drawings of 128-pin/144-pin package, included new 144-pin pinout and pin name descriptions.   |  |
| <b>08/15/05</b>  | <b>REVISION 0.0.3 - THIRD INTERNAL RELEASE.</b>  |
| Updated pins in 128-pin/144-pin package drawings, eliminated signal flow diagram, added 2 part numbers.  |  |
| <b>08/17/05</b>  | <b>REVISION 0.0.4 - FOURTH INTERNAL RELEASE.</b> |
| Updated IC image on master pages, added Section 8.1 "0" performance option, renamed document, updated cover page.  |  |
| <b>09/14/05</b>  | <b>REVISION 0.0.5 - FIFTH INTERNAL RELEASE.</b>  |
| Updated all 128/144 package pinout tables and descriptions, removed waveforms, added block diagram, updated cover page.  |  |
| <b>10/20/05</b>  | <b>REVISION 1.0.0 - FIRST EXTERNAL RELEASE.</b>  |
| Updated cover page, updated block diagram Serial Audio Interface, updated OTSEL pin description, added 2-Wire interface and Serial Audio Port sections, added firmware and reference design disclaimers, updated part numbers.   |  |
| <b>12/6/05</b>   | <b>REVISION 1.0.1</b>                            |
| Updated SYS0 pin from tie-high to tie-low.   |  |
| <b>12/22/05</b>  | <b>REVISION 1.0.2</b>                            |
| Corrected cover page feature set descriptions, corrected Available Part Numbers in Ordering table.   |  |
| <b>1/31/06</b>   | <b>REVISION 1.0.3</b>                            |
| Changed 128-pin package pinouts on page 8, and Table on page 8.  |  |
| <b>2/7/06</b>  | <b>REVISION 1.0.4</b>                            |
| Changed text on cover page regarding valid boot modes. Updated Figure 1 on page 4 to relabel the Serial Audio block to Serial Audio Interface block. Renamed Serial Audio Interface block to be Reserved Serial Audio Interface block. Updated text in "D2-814xx Signal Flow" on page 4. Changed "module" to "IC" in "Serial Audio Interface (SAI ports)" on page 6. Updated text in Table on page 8 to change "Serial Audio (SAI) Pins" to be "Serial Audio Interface (SAI) Pins". Updated text in Table on the following page to change "Serial Audio Interface Pins" to be "Reserved Serial Audio Interface Pins" in both header and pin description sections. Changed title in "Serial Audio Interface (SAI) Pins" on page 11 from "Serial Audio (SAI) Pins" to be "Serial Audio Interface (SAI) Pins". Changed SPDIF to S/PDIF in section "Serial Audio Interface (SAI) Pins" on page 11. Deleted "or nRESET active low" from "Reset and Test Pins" on page 12 and in "Reset and Test Pins" on page 18 from the nRSTOUT pin description. Changed the title in "Optional/Reserved Function Pins" on page 12 from "Optional Function Pins" to "Optional/Reserved Function Pins". Changed the pin descriptions in this section to now have a "Reserved" in front. Changed text in "PWM Protection Pins" on page 13 on all pin descriptions. Relabeled pin "SDO" to "SDOUT" in Figure 6 on page 14, in Table on page 14 as well as in "Serial Audio Interface (SAI) Pins" on page 17. |  |
| <b>2/8/06</b>  | <b>REVISION 1.0.5</b>                            |
| Changed all related text, pin descriptions and pinout drawings for CTRL0, CTRL1, CTRL2, CTRL3. CTRL0 is now PUMPHI. CTRL1 is now PUMPLO. CTRL2 is now PSSYNC. CTRL3 is now PWMSYNC.  |  |
| <b>2/20/06</b>   | <b>REVISION 1.0.6</b>                            |
| Added Junction Temperature to Table 1, "ABSOLUTE MAXIMUM RATINGS," on page 5 in addition to Note 1 on Operating Temperature, Storage Temperature and Storage Temperature. Added Table 4, "THERMAL CHARACTERISTICS," on page 6 which shows Theta J <sub>A</sub> and J <sub>C</sub> values for 128-pin and 144-pin LQFP packages.  |  |
| <b>3/27/06</b>   | <b>REVISION 1.1.1</b>                            |
| Updated Theta J <sub>A</sub> and J <sub>C</sub> values for 128-pin and 144-pin LQFP packages in Table 4, "THERMAL CHARACTERISTICS," on page 6.   |  |
| <b>7/17/06</b>   | <b>REVISION 1.1.2</b>                            |
| Changed Core Supply Pins CVDD from 300 mA to 325 mA in Table 3, "POWER REQUIREMENTS," on page 6  |  |
| Updated Environment Category in Section , "IC Part Numbering Scheme," on page 25   |  |
| Swapped Theta J <sub>A</sub> and J <sub>C</sub> values for 128-pin and 144-pin LQFP packages in Table 4, "THERMAL CHARACTERISTICS," on page 6  |  |

## Revision History

The revision history provided is for informational purposes only and is believed to be accurate, but not warranted. Please go to the web to make sure that you have the latest revision. (Continued)

|  |                          |
|--|--------------------------|
| <b>11/29/06</b>  | <b>REVISION 1.1.3</b>    |
| Added [3:0] vector to Table 2, "BOOT MODES," on page 20  |                          |
| Added timing details Table 1, "POWER-ON RESET TIMING DETAILS," on page 20, Table 3, "EXTERNAL HOST BOOT TIMING DETAILS," on page 20, Table 4, "2-WIRE EEPROM BOOT TIMING DETAILS," on page 20  |                          |
| Added timing sequence figures Figure 5 on page 20, Figure 6 on page 20, Figure 7 on page 20  |                          |
| <b>10/4/07</b>   | <b>REVISION 1.1.4</b>    |
| Added new part numbers (D2-81434-LR and D2-81435-LR) on page 1 and pages 32, 33  |                          |
| Revised part descriptions to include new part numbers  |                          |
| <b>3/5/10</b>  | <b>REVISION FN6786.0</b> |
| Converted to Intersil format. Assigned file number FN6786. Rev 0 - first release with this file number. Removed part numbering scheme and replaced available parts with ordering information table.  |                          |
| <b>11/24/15</b>  | <b>REVISION FN6786.1</b> |
| Updated the Ordering Information table on page 3.<br>Updated Package Outline Drawing (POD) Q144.20x20B to the latest revision. Changes from Rev. 0 to Rev. 1 are as follows:<br>-Changed title from "Thin Plastic Quad Flatpack Package (LQFP)" to "Low Plastic Quad Flatpack Package (LQFP)"<br>Updated Package Outline Drawing (POD) Q128.14x14 to the latest revision. Changes from Rev. 0 to Rev. 1 are as follows:<br>-Changed title from "Thin Plastic Quad Flatpack Package (LQFP)" to "Low Plastic Quad Flatpack Package (LQFP)" |                          |
| <b>5/18/16</b>   | <b>REVISION FN6786.2</b> |
| Added Part number D2-81431 to datasheet<br>Page 1 Features: Multiple Part Offerings updated descriptions, removed D2-81433 and D2-81434 from listing. Added D2-81431<br>Page 3 Ordering Information table: added D2-81431-LR, and updated D2-81433-LR and Ds-81434-LR (lifecycle status/recommended replacement).<br>Thermal Information page 5, added notes for Theta JA and JC.<br>Added Dolby and DTS (SRS) Disclaimers on page 23.   |                          |

## About Intersil

Intersil Corporation is a leading provider of innovative power management and precision analog solutions. The company's products address some of the largest markets within the industrial and infrastructure, mobile computing and high-end consumer markets.

For the most updated datasheet, application notes, related documentation and related parts, please see the respective product information page found at [www.intersil.com](http://www.intersil.com).

You may report errors or suggestions for improving this datasheet by visiting [www.intersil.com/ask](http://www.intersil.com/ask).

Reliability reports are also available from our website at [www.intersil.com/support](http://www.intersil.com/support).

© Copyright Intersil Americas LLC 2008-2016. All Rights Reserved.  
All trademarks and registered trademarks are the property of their respective owners.

For additional products, see [www.intersil.com/en/products.html](http://www.intersil.com/en/products.html)

Intersil products are manufactured, assembled and tested utilizing ISO9001 quality systems as noted in the quality certifications found at [www.intersil.com/en/support/qualandreliability.html](http://www.intersil.com/en/support/qualandreliability.html)

*Intersil products are sold by description only. Intersil may modify the circuit design and/or specifications of products at any time without notice, provided that such modification does not, in Intersil's sole judgment, affect the form, fit or function of the product. Accordingly, the reader is cautioned to verify that datasheets are current before placing orders. Information furnished by Intersil is believed to be accurate and reliable. However, no responsibility is assumed by Intersil or its subsidiaries for its use; nor for any infringements of patents or other rights of third parties which may result from its use. No license is granted by implication or otherwise under any patent or patent rights of Intersil or its subsidiaries.*

For information regarding Intersil Corporation and its products, see [www.intersil.com](http://www.intersil.com)



## Trademarks

D2™, D2A™, D2Audio™, D2Audio 360° Sound™, D2Audio AccuMatrix™, D2Audio Acoustical Speaker Detect™, D2Audio AFRC (Automatic Frequency Response Compensation)™, D2Audio ARMC (Automatic Room Mode Correction)™, D2Audio Audio Canvas™, D2Audio AudioAlign™, D2Audio Canvas™, D2Audio Canvas 2.0™, D2Audio Canvas II™, D2Audio ClearVoice™, D2Audio DeepBass™, D2Audio DigitalEQ™, D2Audio Electrical Speaker Detect™, D2Audio HILO™, D2Audio LEO (Listening Environment Optimization)™, D2Audio LEOxpc™, D2Audio Load Monitor™, D2Audio Mono2Stereo™, D2Audio Multi-Crossover Digital Bass Management™, D2Audio MultiMix™, D2Audio Multi-Mix™, D2Audio Page-In™, D2Audio Sound Pressure Normalization™, D2Audio SoundSuite™, D2Audio Speaker Detect™, D2Audio Speaker Distance™, D2Audio Speaker EQ (SPEQ)™, D2Audio Speaker Fingerprint™, D2Audio Speaker Impedance™, D2Audio Speaker Polarity™, D2Audio WideSound™, Digital Audio Engine™ and DAE-3™ are trademarks of D2Audio Corporation.

Audistry™ by Dolby, Dolby Headphone™, Dolby Pro Logic II, Dolby Pro Logic II/IIx™, Dolby Pro Logic II™, Dolby Virtual Speaker™, and Surround EX™ are trademarks of Dolby Laboratories Licensing Corporation. Audyssey 2EQ™, Audyssey EQ™, Audyssey MultEQ Pro™, Audyssey MultEQ XT™ and Audyssey MultEQ™ are trademarks of Audyssey Laboratories, Inc. BBE™ is a trademark of BBE Sound, Inc. DTS Neo:6™ is a trademark of Digital Theater Systems, Inc. Logic 7™ is a trademark of Harman International Industries, Incorporated. Microsoft™, Windows™ XP, Windows™ 2000 are trademarks of Microsoft Corporation. SRS Definition™, SRS Dialog Clarity™, SRS FOCUS™, SRS Headphone 360™, SRS TruBass™, SRS TruSurround HD™, SRS TruSurround HD4™, SRS TruSurround XT HD/HD4™, SRS TruSurround XT™, SRS TruSurround™, SRS WOW HD™ and SRS WOW™ are trademarks of SRS Laboratories, Inc. THX Adaptive De-Correlation™, THX Advanced Speaker Array (ASA)™, THX Bass Management with Bass Peak Limiter™, THX Boundary Gain Compensation (BGC)™, THX Cinema Re-EQ™, THX™ Ultra2™ and THX™ Select™ are trademarks of THX Ltd.

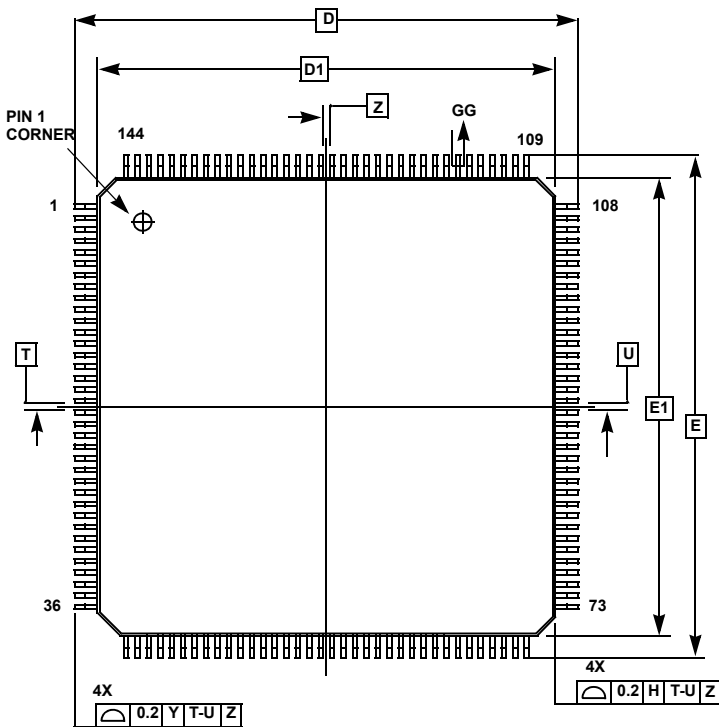
## Disclaimer for Dolby Technology License Required Notice

Intersil may distribute Dolby™ technology separately from its D2Audio™ integrated circuits. Dolby™ technology would be embedded in firmware to be loaded onto and executed by Dolby™ enabled D2Audio™ integrated circuits. Supply of this implementation of Dolby technology does not convey a license nor imply a right under any patent or any other industrial or intellectual property right of Dolby Laboratories to use this implementation in any finished end-user or ready-to-use final product. It is hereby notified that a license for such use is required from Dolby Laboratories. In some cases the Dolby™ technology may include at least one Dolby™ Pro Logic™ decoder. The party receiving this implementation must be licensed for at least one of the three Dolby Laboratories Licensing Corporation ("Dolby") technologies contained in this implementation. If the party receiving this implementation is not a Licensee for all three of the Dolby technologies contained in this implementation then the party may only use the unlicensed technology(ies) contained on the implementation for internal testing and evaluation purposes.

## Disclaimer for DTS (SRS) Technology License Required Notice

NOTICE OF LICENSE REQUIREMENT: Supply of this implementation of DTS technology to DTS Product Licensees directly or through a distributor does not incur a royalty payment or convey a license, exhaust DTS' rights in the implementation, or imply a right under any patent or any other industrial or intellectual property right of DTS to use, offer for sale, sell, or import such implementation in any finished end-user or ready-to-use final product. A license from and royalty payment to DTS is required prior to and for such use.

# Low Plastic Quad Flatpack Package (LQFP)



## Q144.20x20B

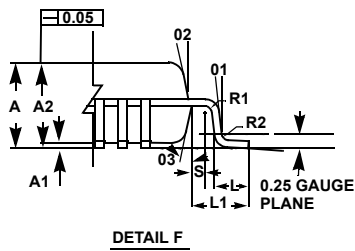
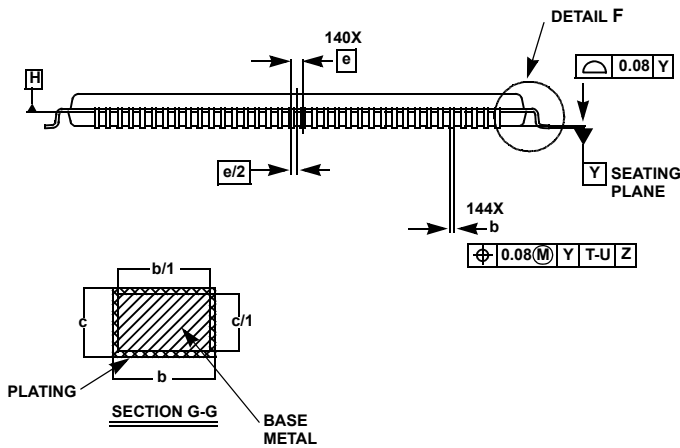
144 Lead Low Plastic Quad Flatpack Package

| SYMBOL | MILLIMETERS |      |      | NOTES |
|--------|-------------|------|------|-------|
|        | MIN         | NOM  | MAX  |       |
| A      | -           | -    | 1.60 |       |
| A1     | 0.05        | -    | 0.15 |       |
| A2     | 1.35        | 1.40 | 1.45 |       |
| b      | 0.17        | 0.22 | 0.27 | 4     |
| b1     | 0.17        | 0.20 | 0.23 |       |
| c      | 0.09        | -    | 0.20 |       |
| c1     | 0.09        | -    | 0.16 |       |
| D      | 22 BSC      |      |      |       |
| D1     | 20 BSC      |      |      | 3     |
| E      | 22 BSC      |      |      |       |
| E1     | 20 BSC      |      |      | 3     |
| L      | 0.45        | 0.60 | 0.75 |       |
| L1     | 1.00 REF    |      |      |       |
| R1     | 0.08        | -    | -    |       |
| R2     | 0.08        | -    | 0.20 |       |
| S      | 0.20        | -    | -    |       |
| θ      | 0°          | 3.5° | 7.0° |       |
| θ1     | 0°          | -    | -    |       |
| θ2     | 11°         | 12°  | 13°  |       |
| θ3     | 11°         | 12°  | 13°  |       |
| N      | 128         |      |      | 5     |
| e      | 0.50 BSC    |      |      |       |

Rev. 1 7/11

NOTES:

- Dimensions are in millimeters. Dimensions in ( ) for Reference Only.
- Dimensioning and tolerancing conform to AMSE Y14.5m-1994.
- Dimensions D1 and E1 are excluding mold protrusion. Allowable protrusion is 0.25mm per side. Dimensions D1 and E1 are inclusive of mold mismatch and determined by datum plane H.
- Dimension b does not include dambar protrusion. Allowable dambar protrusion shall not cause the lead width to exceed the maximum b dimension by more than 0.08mm. Dambar cannot be located at the lower radius or the foot. Minimum space between protrusion and an adjacent lead is 0.07mm.
- N is total number of the lead terminals.

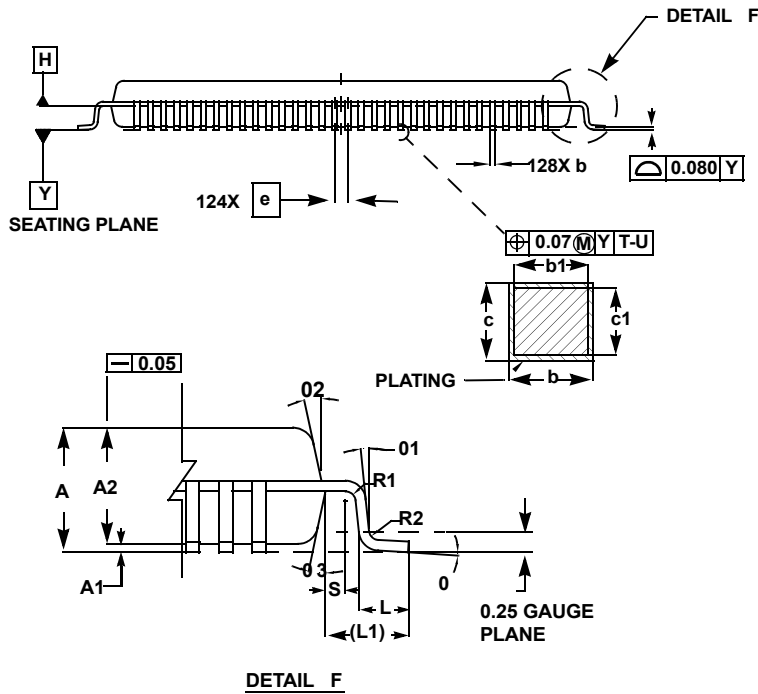
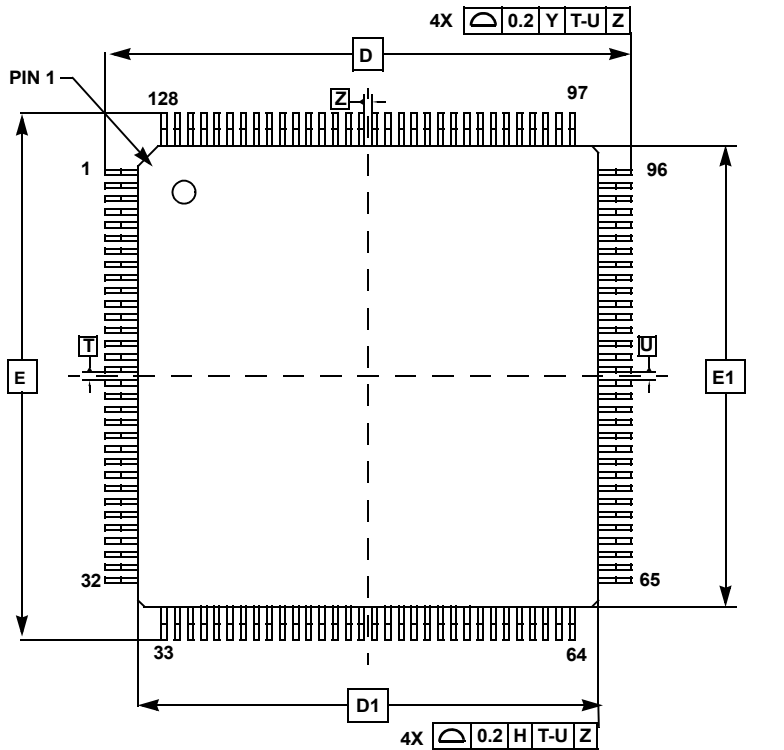




# Low Plastic Quad Flatpack Packages (LQFP)

## Q128.14x14

128 LEAD LOW PLASTIC QUAD FLATPACK PACKAGE .4 MM PITCH



| SYMBOL | MILLIMETERS |      |      | NOTES |
|--------|-------------|------|------|-------|
|        | MIN         | NOM  | MAX  |       |
| A      | -           |      | 1.60 | -     |
| A1     | 0.05        |      | 0.15 | -     |
| A2     | 1.35        | 1.40 | 1.45 | -     |
| b      | 0.13        | 0.16 | 0.23 | 4     |
| b1     | 0.13        | -    | 0.19 | -     |
| c      | 0.09        | -    | 0.20 | -     |
| c1     | 0.09        | -    | 0.16 | -     |
| D      | 16 BSC      |      |      | -     |
| D1     | 14 BSC      |      |      | 3     |
| E      | 16 BSC      |      |      | -     |
| E1     | 14 BSC      |      |      | 3     |
| L      | 0.45        | 0.60 | 0.75 | -     |
| L1     | 1.00 REF    |      |      | -     |
| R1     | 0.08        | -    | -    | -     |
| R2     | 0.08        | -    | 0.20 | -     |
| S      | 0.20        | -    | -    | -     |
| 0      | 0°          | 3.5° | 7°   | -     |
| 01     | 0°          | -    | -    | -     |
| 02     | 11°         | 12°  | 13°  | -     |
| 03     | 11°         | 12°  | 13°  | -     |
| N      | 128         |      |      | -     |
| e      | 0.40 BSC    |      |      | -     |

Rev. 1 7/11

NOTES:

1. Dimensions are in millimeters. Dimensions in ( ) for Reference Only.
2. Dimensions and tolerances per AMSEY14.5M-1994.
3. Dimensions D1 and E1 are excluding mold protrusion. Allowable protrusion is 0.25 per side. Dimensions D1 and E1 are exclusive of mold mismatch and determined by datum plane H.
4. Dimension b does not include dambar protrusion. Allowable dambar protrusion shall not cause the lead width to exceed the maximum b dimension by more than 0.08mm. Dambar cannot be located at the lower radius or the foot. Minimum space between protrusion and an adjacent lead is 0.07 mm.

Компания «Океан Электроники» предлагает заключение долгосрочных отношений при поставках импортных электронных компонентов на взаимовыгодных условиях!

Наши преимущества:

- Поставка оригинальных импортных электронных компонентов напрямую с производств Америки, Европы и Азии, а так же с крупнейших складов мира;
- Широкая линейка поставок активных и пассивных импортных электронных компонентов (более 30 млн. наименований);
- Поставка сложных, дефицитных, либо снятых с производства позиций;
- Оперативные сроки поставки под заказ (от 5 рабочих дней);
- Экспресс доставка в любую точку России;
- Помощь Конструкторского Отдела и консультации квалифицированных инженеров;
- Техническая поддержка проекта, помощь в подборе аналогов, поставка прототипов;
- Поставка электронных компонентов под контролем ВП;
- Система менеджмента качества сертифицирована по Международному стандарту ISO 9001;
- При необходимости вся продукция военного и аэрокосмического назначения проходит испытания и сертификацию в лаборатории (по согласованию с заказчиком);
- Поставка специализированных компонентов военного и аэрокосмического уровня качества (Xilinx, Altera, Analog Devices, Intersil, Interpoint, Microsemi, Actel, Aeroflex, Peregrine, VPT, Syfer, Eurofarad, Texas Instruments, MS Kennedy, Miteq, Cobham, E2V, MA-COM, Hittite, Mini-Circuits, General Dynamics и др.);

Компания «Океан Электроники» является официальным дистрибьютором и эксклюзивным представителем в России одного из крупнейших производителей разъемов военного и аэрокосмического назначения «JONHON», а так же официальным дистрибьютором и эксклюзивным представителем в России производителя высокотехнологичных и надежных решений для передачи СВЧ сигналов «FORSTAR».



## JONHON

«JONHON» (основан в 1970 г.)

Разъемы специального, военного и аэрокосмического назначения:

(Применяются в военной, авиационной, аэрокосмической, морской, железнодорожной, горно- и нефтедобывающей отраслях промышленности)

«FORSTAR» (основан в 1998 г.)

ВЧ соединители, коаксиальные кабели, кабельные сборки и микроволновые компоненты:

(Применяются в телекоммуникациях гражданского и специального назначения, в средствах связи, РЛС, а так же военной, авиационной и аэрокосмической отраслях промышленности).



Телефон: 8 (812) 309-75-97 (многоканальный)

Факс: 8 (812) 320-03-32

Электронная почта: [ocean@oceanchips.ru](mailto:ocean@oceanchips.ru)

Web: <http://oceanchips.ru/>

Адрес: 198099, г. Санкт-Петербург, ул. Калинина, д. 2, корп. 4, лит. А