

REVISIONS				
REV.	ECN/E-R	DESCRIPTION	DATE	APPROVED
A		PROPOSAL	JUL22/09	



MATERIAL:

CAGE:
COPPER ALLOY

PLATING OPTION Y=2:
2.54um MIN. NICKEL

PLATING OPTION Y=3:
3.81um MIN. MATTE TIN
OVER 1.27um MIN. NICKEL.

LIGHT PIPE:
CLEAR POLYCARBONATE

BRACKET FOR LIGHT PIPE:
STAINLESS STEEL

PACKAGING:
TRAY PACKAGING

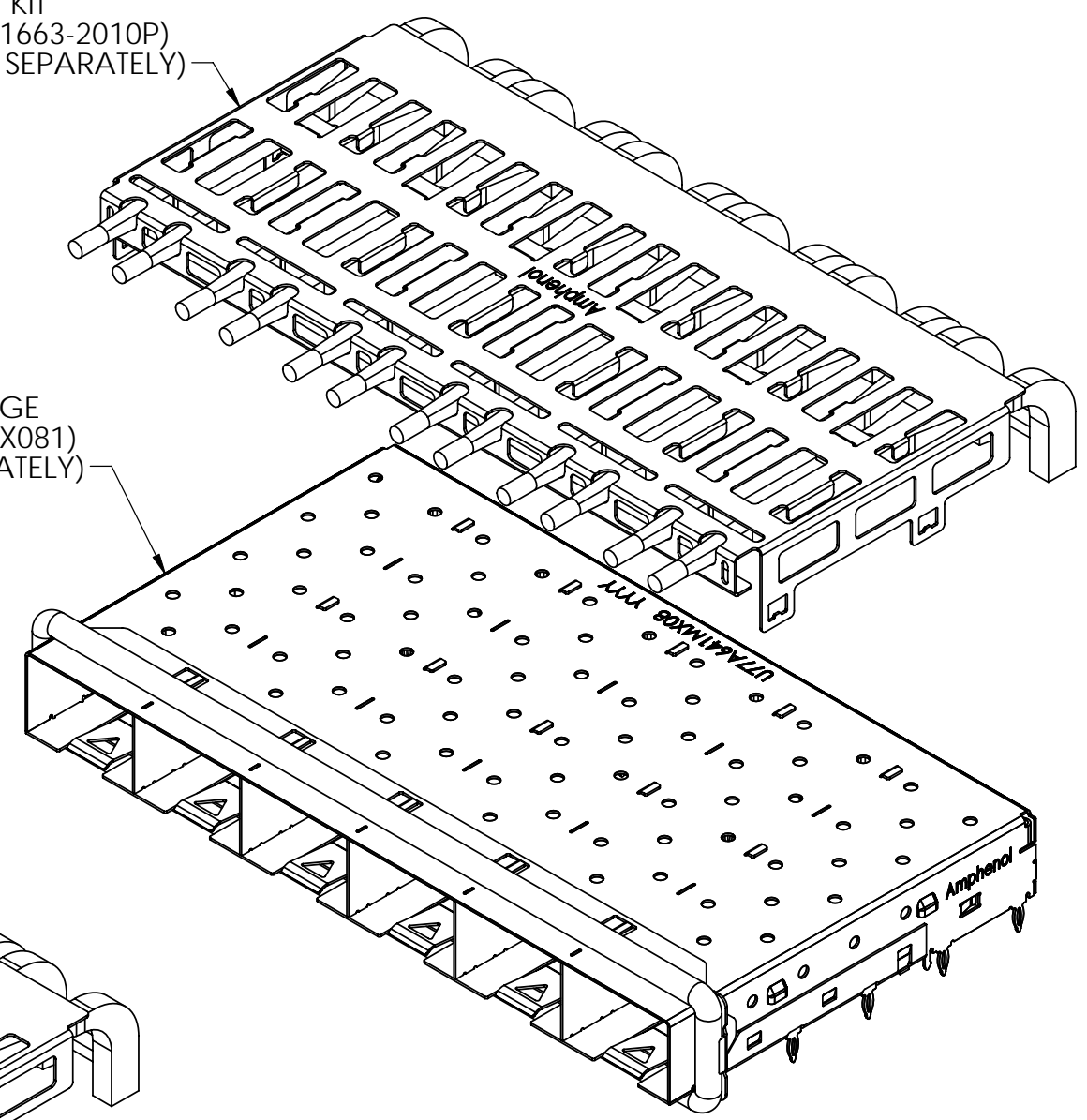
TEMPERATURE RANGE:
-40C TO +85C

LIGHT PIPE KIT
(P/N: U77-1663-2010P)
(IF ORDER SEPARATELY)

SFP+PRESS FIT CAGE
(P/N U77-A641M-X081)
(IF ORDER SEPARATELY)

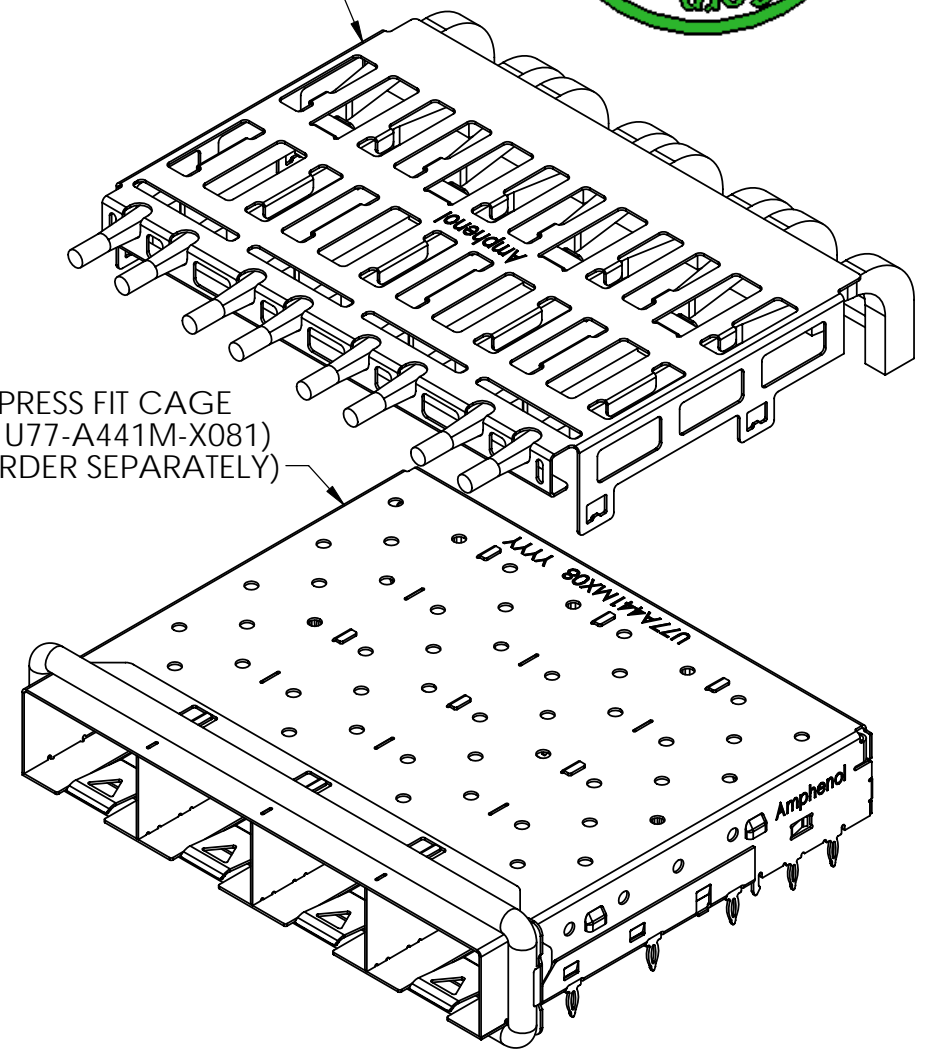
LIGHT PIPE KIT
(P/N: U77-1263-2010P)
(IF ORDER SEPARATELY)

SFP+PRESS FIT CAGE
(P/N U77-A241M-X081)
(IF ORDER SEPARATELY)



LIGHT PIPE KIT
(P/N: U77-1463-2010P)
(IF ORDER SEPARATELY)

SFP+PRESS FIT CAGE
(P/N U77-A441M-X081)
(IF ORDER SEPARATELY)



P/N: U77-C641M-X081 SHOWN

P/N: U77-C441M-X081 SHOWN

P/N: U77-C241M-X081 SHOWN

AMPHENOL PART NUMBER CONFIGURATION

U77 - C X 4 1 M - X 0 8 1

PACKAGING
1 = TRAY PACKAGING

PLATING
2 = NICKEL PLATING
3 = MATTE TIN PLATING

NUMBER OF PORTS
2 = 2 PORTS
4 = 4 PORTS
6 = 6 PORTS

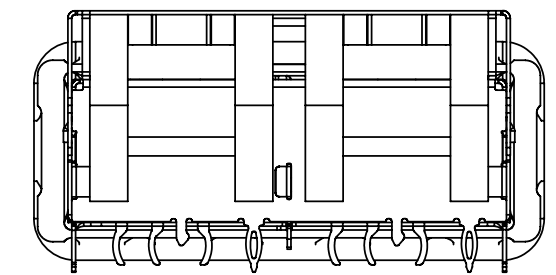
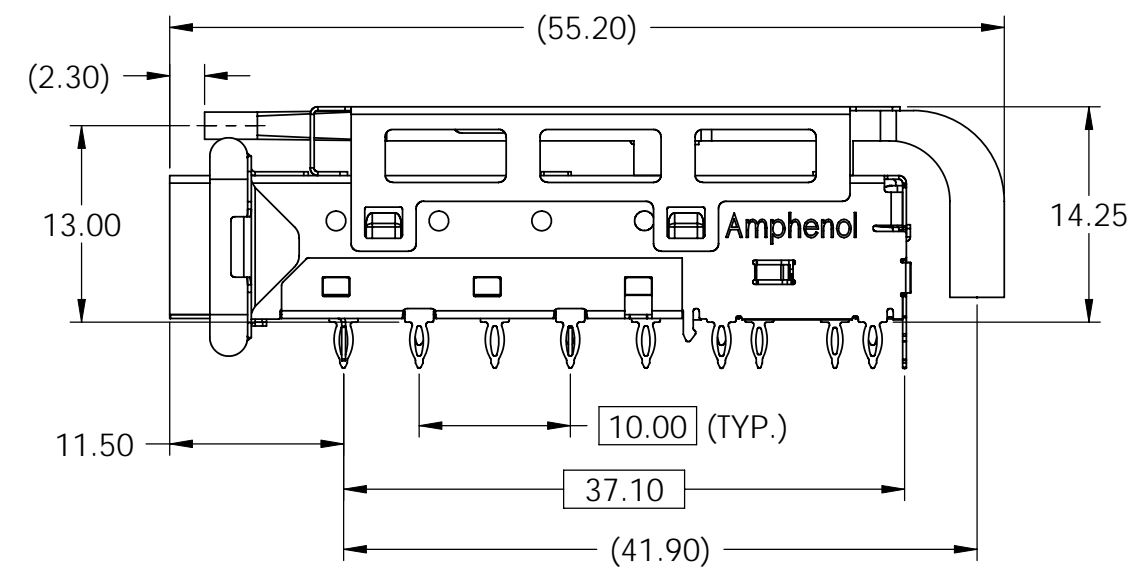
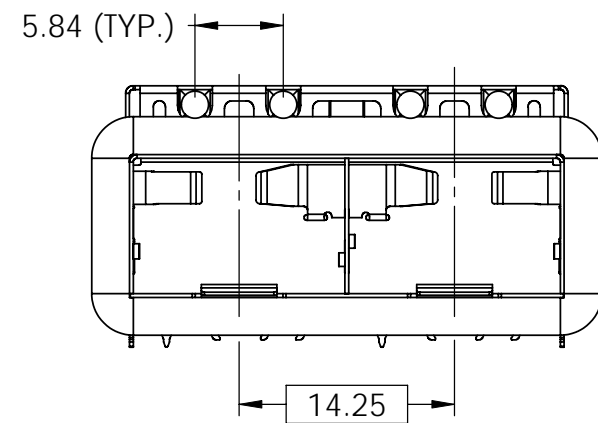
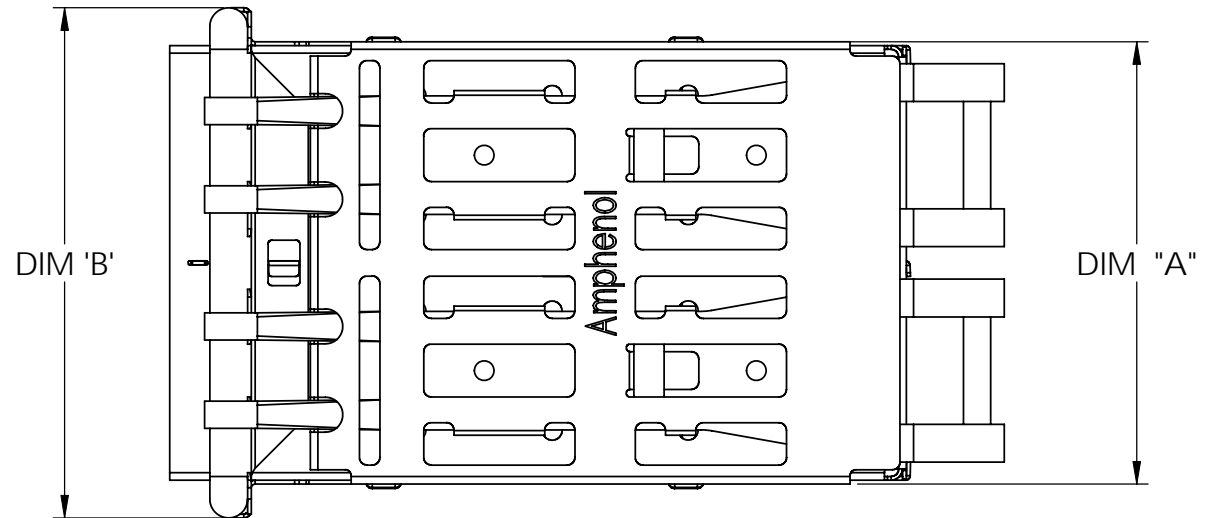
DO NOT SCALE DRAWING

THIS DOCUMENT CONTAINS PROPRIETARY INFORMATION AND SUCH INFORMATION MAY NOT BE DISCLOSED TO OTHERS FOR ANY PURPOSE OR USED FOR MANUFACTURING PURPOSES WITHOUT PERMISSION FROM AMPHENOL CANADA CORP.

UNLESS OTHERWISE SPECIFIED DIMENSIONS ARE IN MILLIMETERS TOLERANCES ARE:		APPROVALS		DATE	Amphenol Canada Corp.	
DECIMALS X.X ± 0.38 X.XX ± 0.25	ANGLES ± 1°	DRAWN	J.SI	JUL21/09	TITLE	
MATERIAL AND FINISH SEE NOTE 1		DESIGNED			1XN SFP+ CAGE ELASTOMER EMI GASKET, WITH LIGHT PIPE	
REF.		CHECKED			SIZE A3	DWG. NO. P-U77-CX41M-X081
CODE IDENT. NO.	03554	QA APPD			REV. A	
		IE APPD			SCALE 3:2	PROJECT
		DWG APPD			SHEET	1 OF 11

PART NUMBER	DIM"A"	DIM"B"
U77-C261M-X081	29.25	33.75
U77-C461M-X081	57.75	62.25
U77-C661M-X081	86.25	90.75

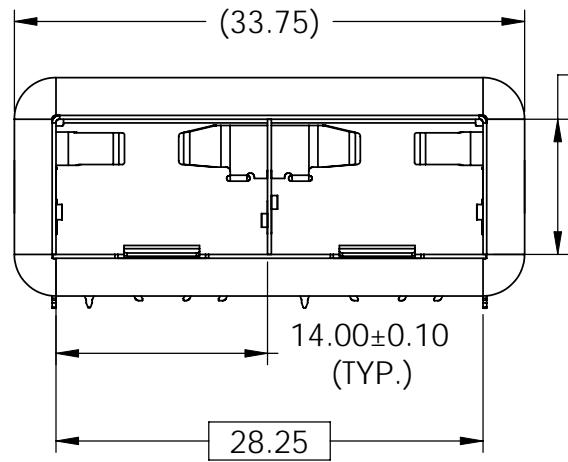
REVISIONS				
REV.	ECN/E-R	DESCRIPTION	DATE	APPROVED
A		PROPOSAL	JUL22/09	



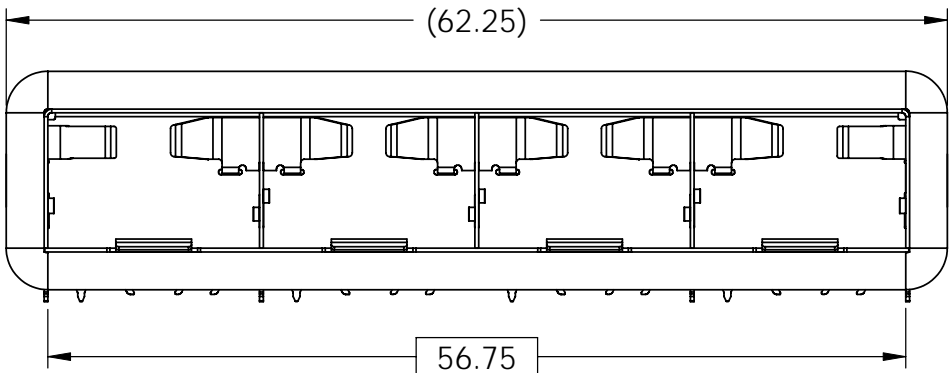
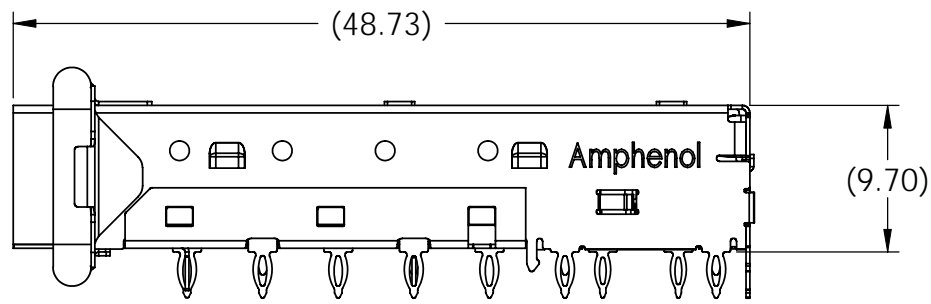
DO NOT SCALE DRAWING

THIS DOCUMENT CONTAINS PROPRIETARY INFORMATION AND SUCH INFORMATION MAY NOT BE DISCLOSED TO OTHERS FOR ANY PURPOSE OR USED FOR MANUFACTURING PURPOSES WITHOUT PERMISSION FROM AMPHENOL CANADA CORP.

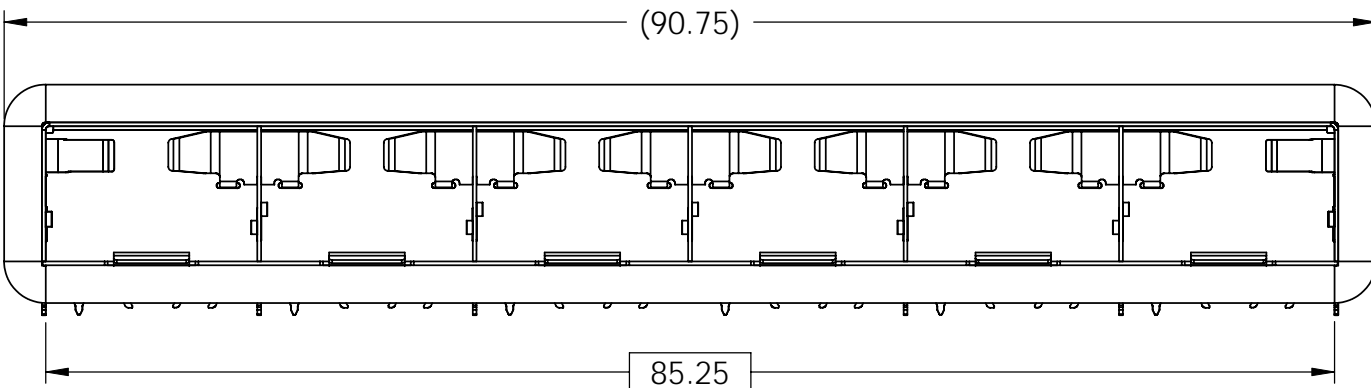
UNLESS OTHERWISE SPECIFIED DIMENSIONS ARE IN MILLIMETERS TOLERANCES ARE: DECIMALS ANGLES X.X ± 0.38 ± 1° X.XX ± 0.25	APPROVALS	DATE	Amphenol Canada Corp.	
	DRAWN J.SI	JUL21/09		
	DESIGNED		1XN SFP+ CAGE ELASTOMER EMI GASKET, WITH LIGHT PIPE	
	CHECKED			
MATERIAL AND FINISH SEE NOTE 1	QA APPD		SIZE A3	DWG. NO P-U77-CX41M-X081
REF.	IE APPD		SCALE 1:1	PROJECT
CODE IDENT. NO. 03554	DWG APPD		SHEET 2 OF 11	REV. A



U77-A261M-X081



U77-A461M-X081



U77-A661M-X081

DO NOT SCALE DRAWING

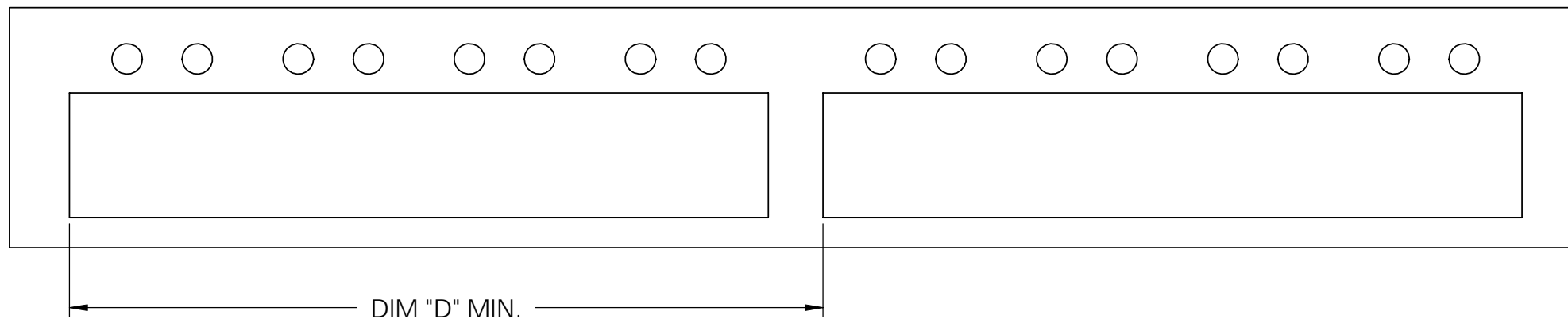
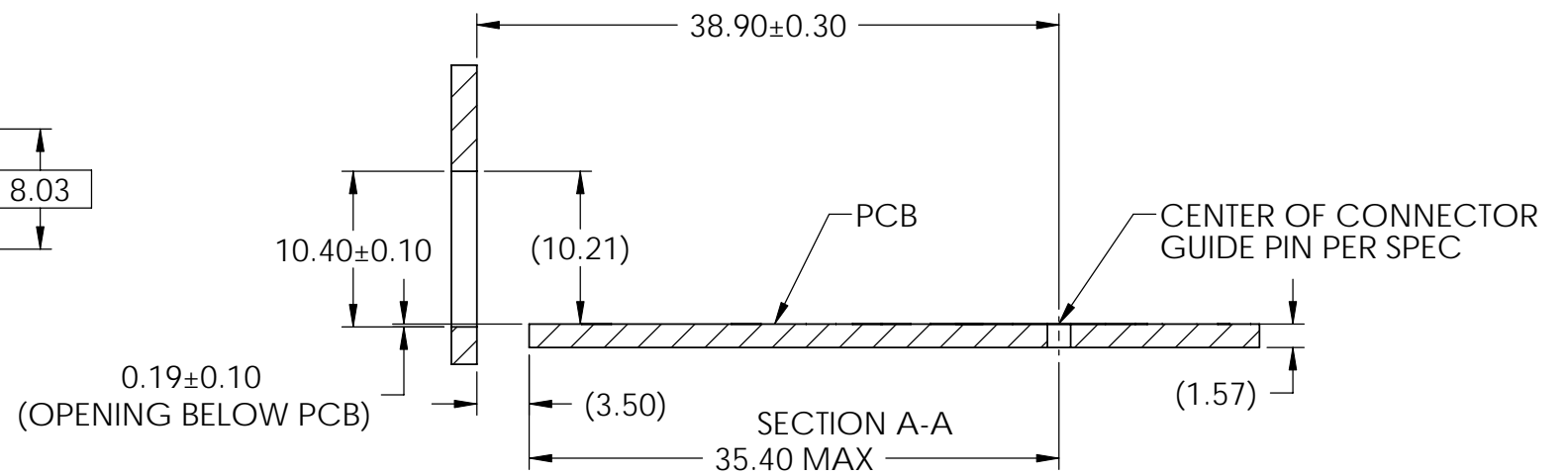
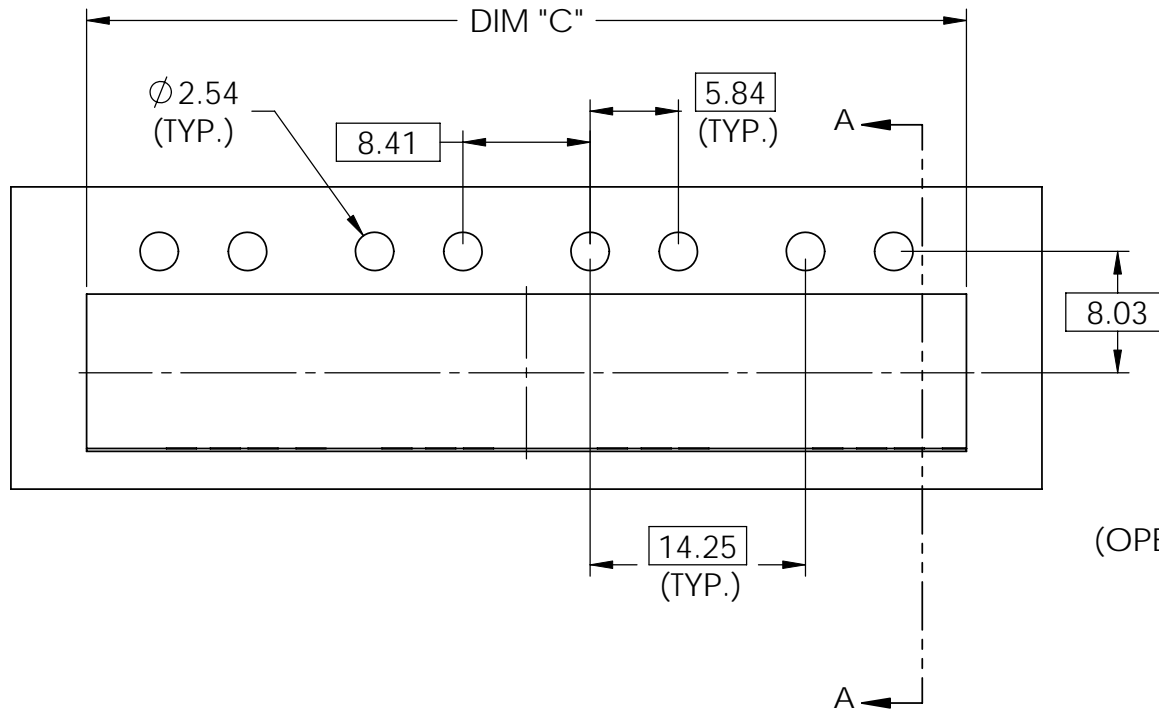
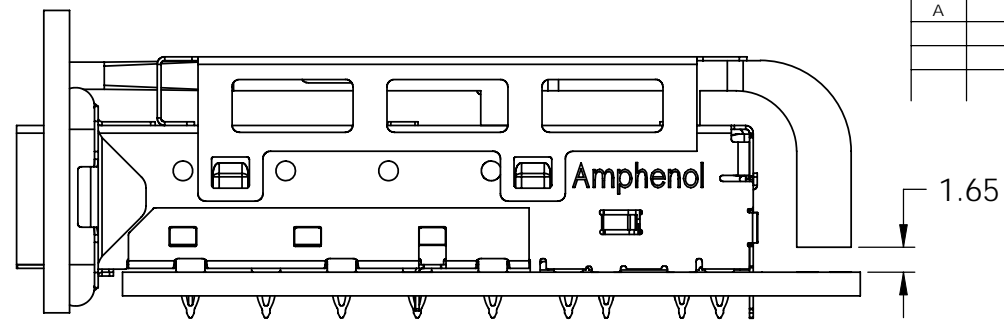
THIS DOCUMENT CONTAINS PROPRIETARY INFORMATION AND SUCH INFORMATION MAY NOT BE DISCLOSED TO OTHERS FOR ANY PURPOSE OR USED FOR MANUFACTURING PURPOSES WITHOUT PERMISSION FROM AMPHENOL CANADA CORP.

REVISIONS				
REV.	ECN/E-R	DESCRIPTION	DATE	APPROVED
A		PROPOSAL	JUL22/09	

UNLESS OTHERWISE SPECIFIED DIMENSIONS ARE IN MILLIMETERS TOLERANCES ARE:		APPROVALS		DATE	Amphenol Canada Corp.	
DECIMALS	ANGLES	DRAWN	J.SI	JUL21/09		
X.X ± 0.38	± 1°	DESIGNED			1XN SFP+ CAGE ELASTOMER EMI GASKET, WITH LIGHT PIPE	
X.XX ± 0.25		CHECKED				
MATERIAL AND FINISH		QA APPD				
SEE NOTE 1		IE APPD			SIZE	DWG. NO. P-U77-CX41M-X081
REF.		DWG APPD			A3	
CODE IDENT. NO.	03554				SCALE	2:1
					PROJECT	
					SHEET	3 OF 11

PART NUMBER	DIM "C"	DIM "D"
U77-C241M-X081	29.70	34.25
U77-C441M-X081	58.20	62.75
U77-C641M-X081	86.70	91.25

REVISIONS				
REV.	ECN/E-R	DESCRIPTION	DATE	APPROVED
A		PROPOSAL	JUL22/09	

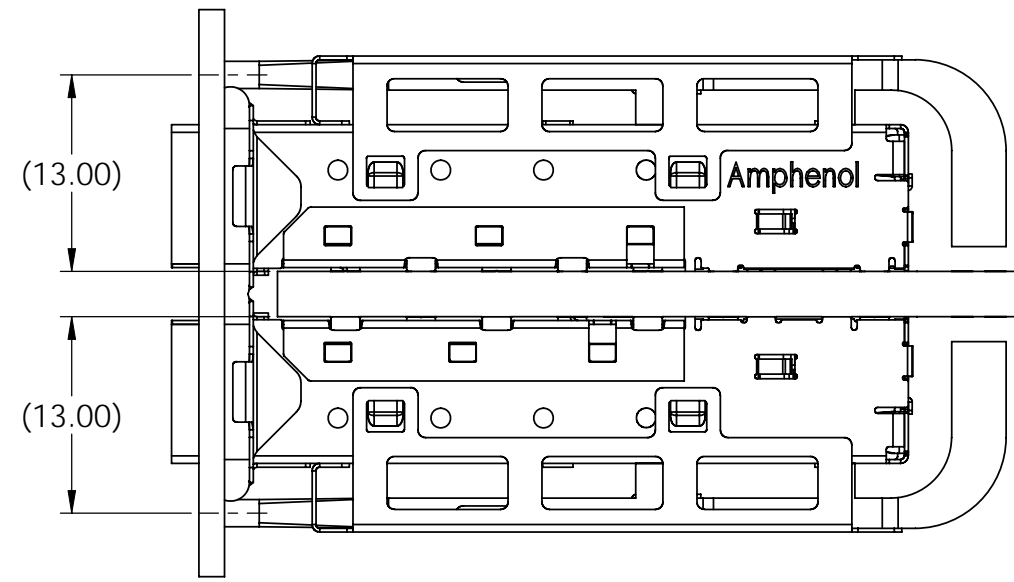


UNLESS OTHERWISE SPECIFIED DIMENSIONS ARE IN MILLIMETERS TOLERANCES ARE:		APPROVALS		DATE		Amphenol Canada Corp.	
DECIMALS	ANGLES	DRAWN	J.SI	JUL21/09			
X.X ± 0.38	± 1°	DESIGNED				1XN SFP+ CAGE ELASTOMER EMI GASKET, WITH LIGHT PIPE	
X.XX ± 0.25		CHECKED					
MATERIAL AND FINISH		QA APPD					
SEE NOTE 1		IE APPD				SIZE	DWG. NO.
REF.		DWG APPD				A3	P-U77-CX41M-X081
CODE IDENT. NO.	03554			SCALE	2:1	PROJECT	SHEET 4 OF 11

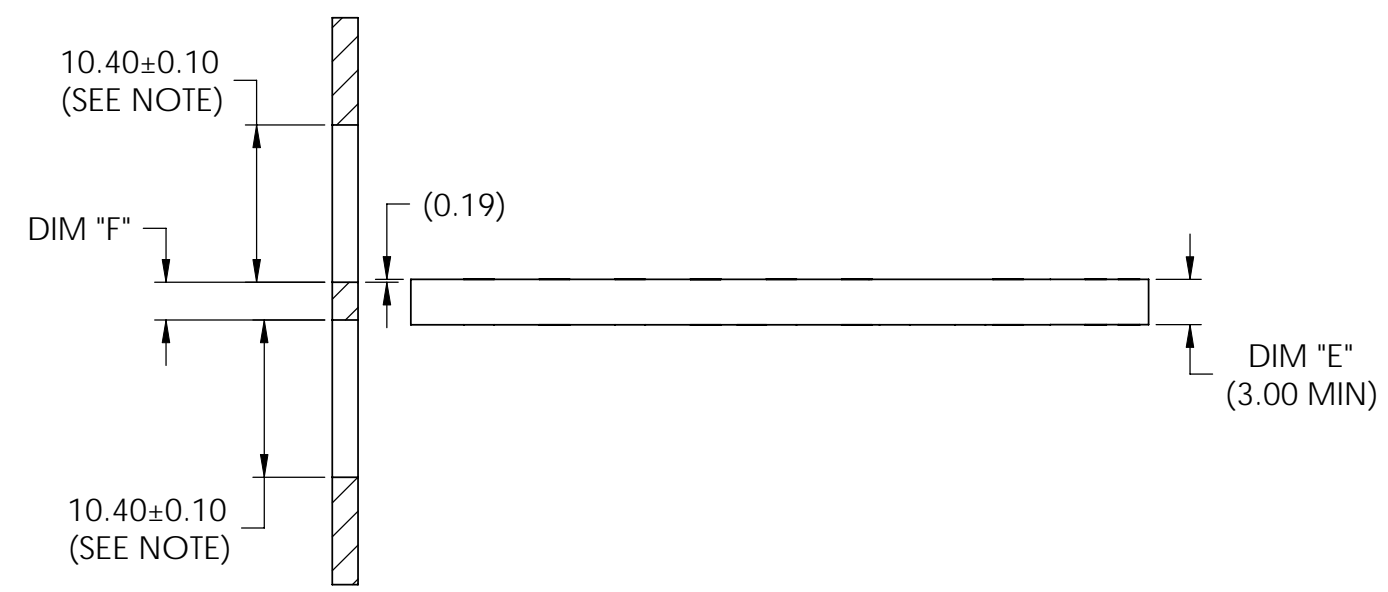
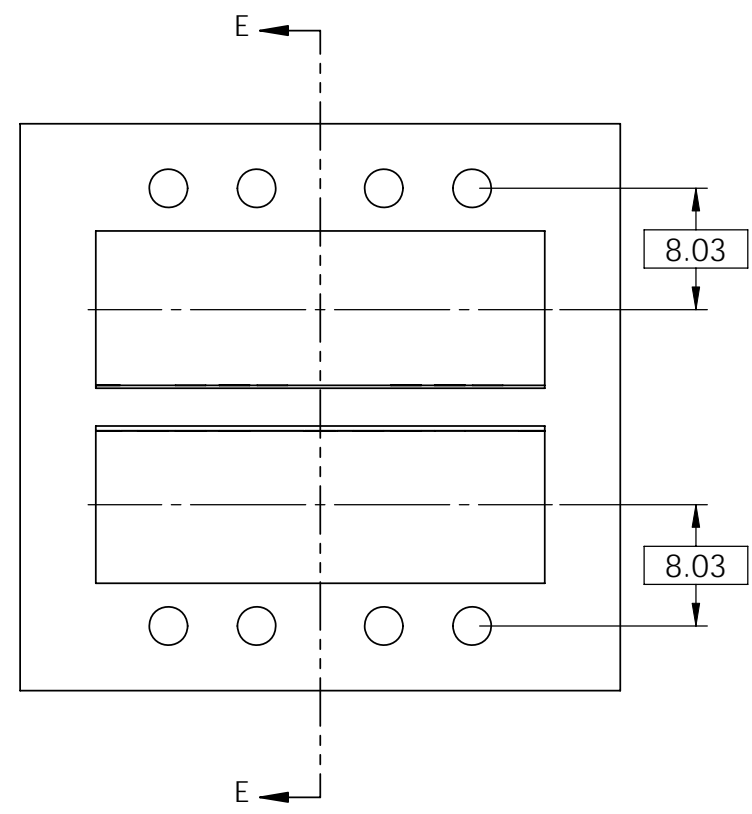
DO NOT SCALE DRAWING

THIS DOCUMENT CONTAINS PROPRIETARY INFORMATION AND SUCH INFORMATION MAY NOT BE DISCLOSED TO OTHERS FOR ANY PURPOSE OR USED FOR MANUFACTURING PURPOSES WITHOUT PERMISSION FROM AMPHENOL CANADA CORP.

REVISIONS				
REV.	ECN/E-R	DESCRIPTION	DATE	APPROVED
A		PROPOSAL	JUL22/09	



NOTE:
 PANEL CUTOUT SIZES PER SFF 8433 SPEC. FOR BELLY TO BELLY MOUNTING, DIM "E" (PCB THICKNESS) IS 3.0 mm MIN. DIM "F" RELATED TO DIM "E". FOR DIM "F" = DIM "E" - 0.44 mm. THE PANEL CUTOUT 10.40 mm MIGHT BE INCREASED UP TO 10.80 mm IN ORDER TO ACCOMMODATE PCB TOLERANCE.



SECTION E-E

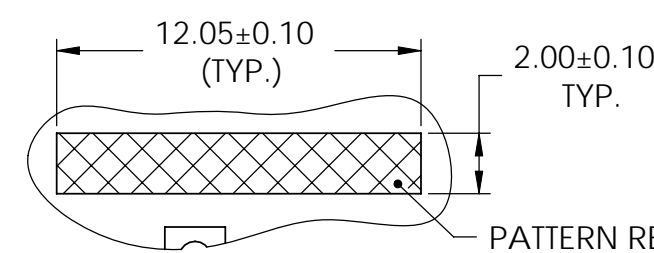
UNLESS OTHERWISE SPECIFIED DIMENSIONS ARE IN MILLIMETERS TOLERANCES ARE:		APPROVALS		DATE	Amphenol Canada Corp.	
DECIMALS	ANGLES	DRAWN	J.SI	JUL21/09	TITLE	
X.X ± 0.38	± 1°	DESIGNED			1XN SFP+ CAGE ELASTOMER EMI GASKET, WITH LIGHT PIPE	
X.XX ± 0.25		CHECKED				
MATERIAL AND FINISH		QA APPD				
SEE NOTE 1		IE APPD			SIZE	DWG. NO.
REF.		DWG APPD			A3	P-U77-CX41M-X081
CODE IDENT. NO.	03554				SCALE	PROJECT
					2:1	SHEET
						5 OF 11

DO NOT SCALE DRAWING

THIS DOCUMENT CONTAINS PROPRIETARY INFORMATION AND SUCH INFORMATION MAY NOT BE DISCLOSED TO OTHERS FOR ANY PURPOSE OR USED FOR MANUFACTURING PURPOSES WITHOUT PERMISSION FROM AMPHENOL CANADA CORP.

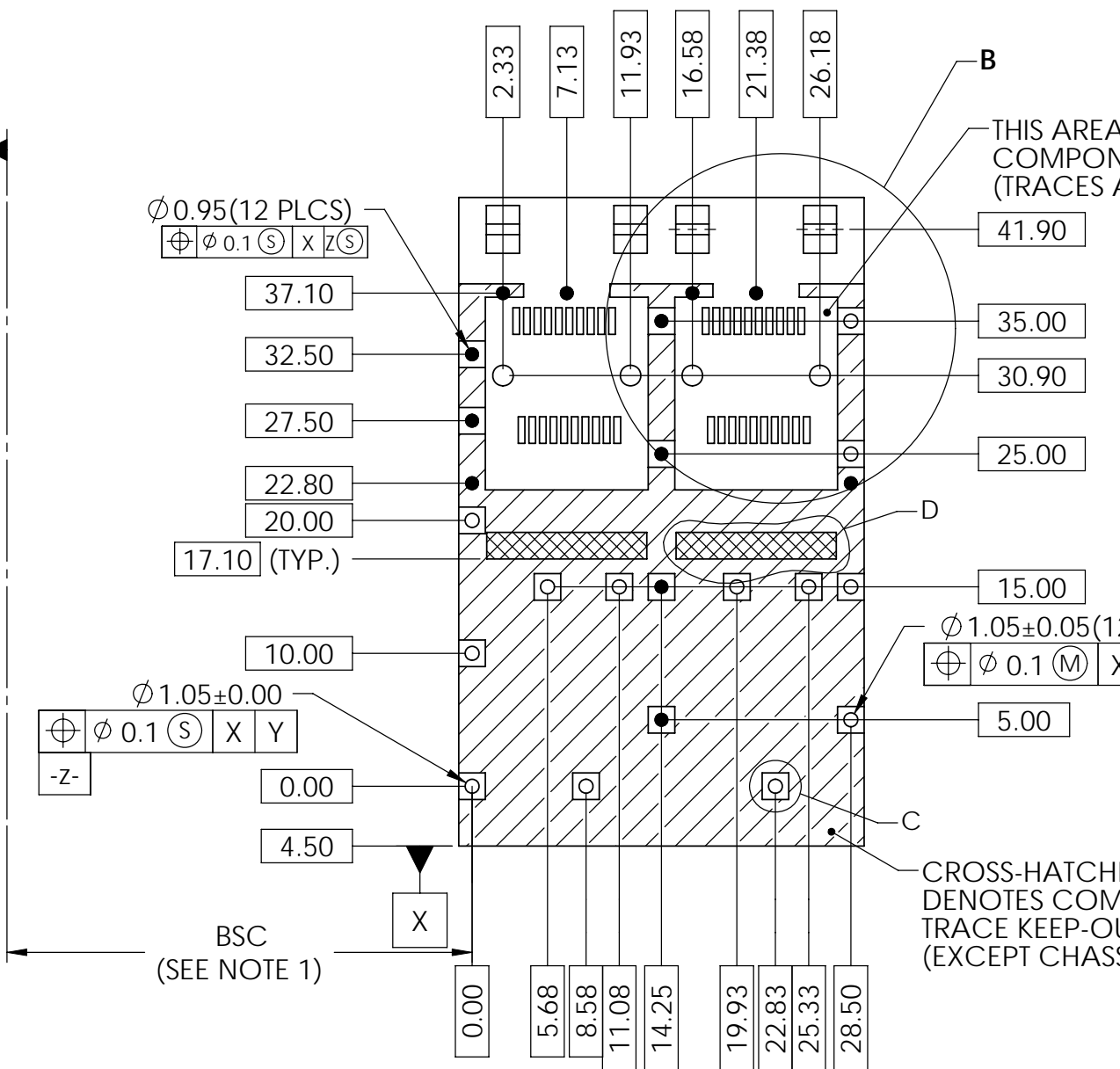
- NOTES:
 1. DATUM AND BASIC DIMENSIONS ESTABLISHED BY CUSTOMER.
 2. PADS AND VIAS ARE CHASSIS GROUND.
 3. THRU-HOLES, PLATING OPTIONAL.
 4. SEE DRAWINGS P-UX76-A20-X00XX FOR CONNECTOR LAYOUT.

REVISIONS				
REV.	ECN/E-R	DESCRIPTION	DATE	APPROVED
A		PROPOSAL	JUL22/09	



DETAIL D
SCALE 4 : 1

PATTERN REPEATS FOR EACH PORT.
 SPACING BETWEEN PORTS IS 14.25mm.
 APPLIES TO ALL GANGED LAYOUTS

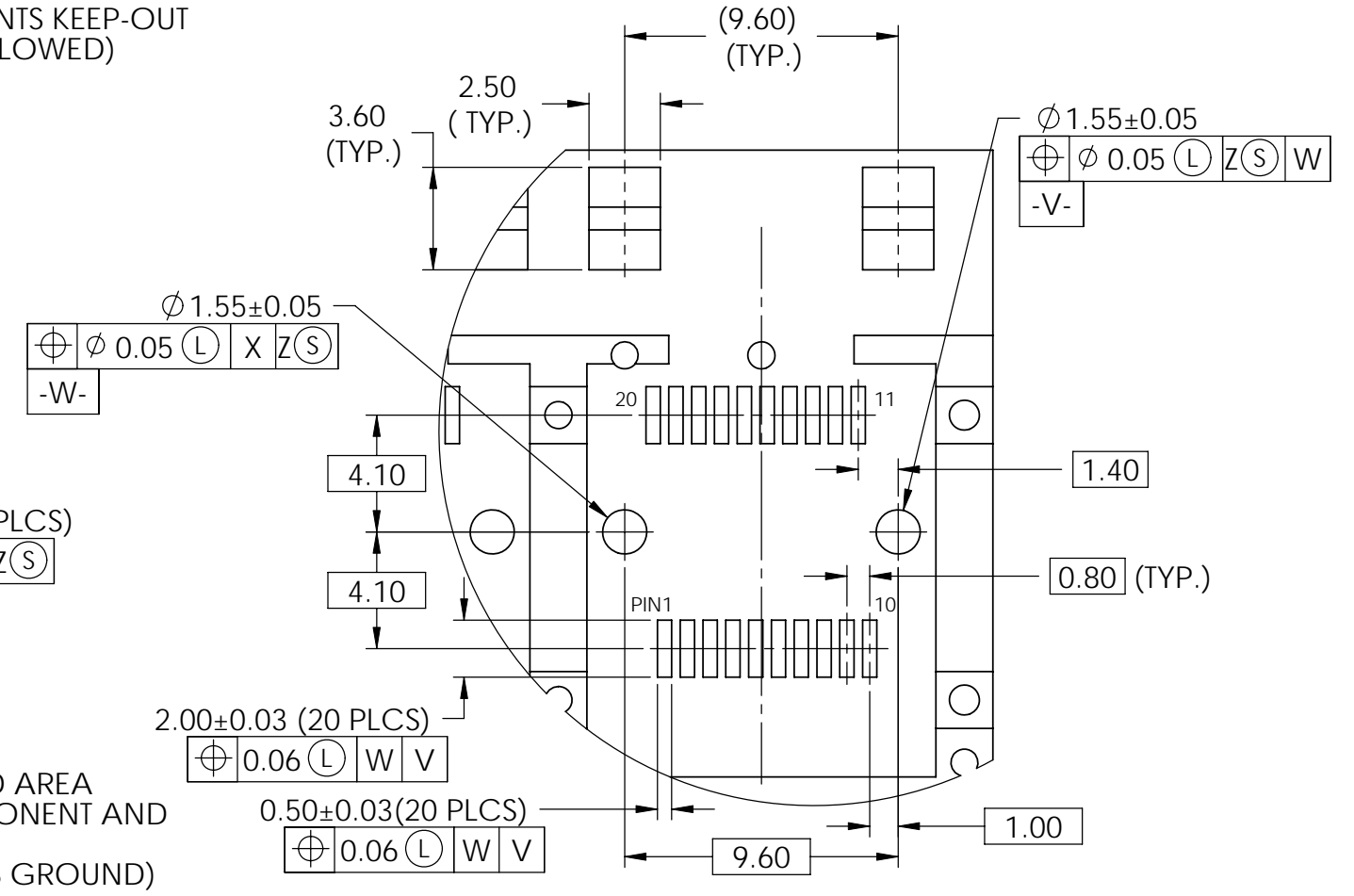


THIS AREA DENOTES
 COMPONENTS KEEP-OUT
 (TRACES ALLOWED)

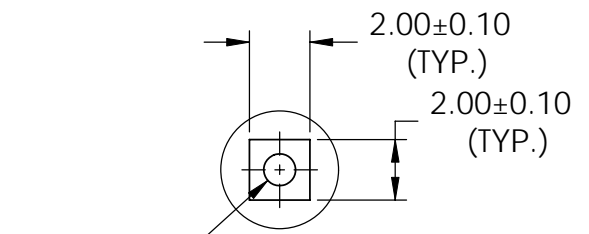
$\phi 1.05 \pm 0.05$ (12 PLCS)
 $\phi 0.1$ (M) X Z (S)

CROSS-HATCHED AREA
 DENOTES COMPONENT AND
 TRACE KEEP-OUT
 (EXCEPT CHASSIS GROUND)

BSC
 (SEE NOTE 1)



DETAIL B
SCALE 4 : 1



DETAIL C
SCALE 4 : 1

**RECOMMENDED PCB DESIGN
 FOR SINGLE SIDE MOUNTING
 (P/N U77-C261M-X081)**

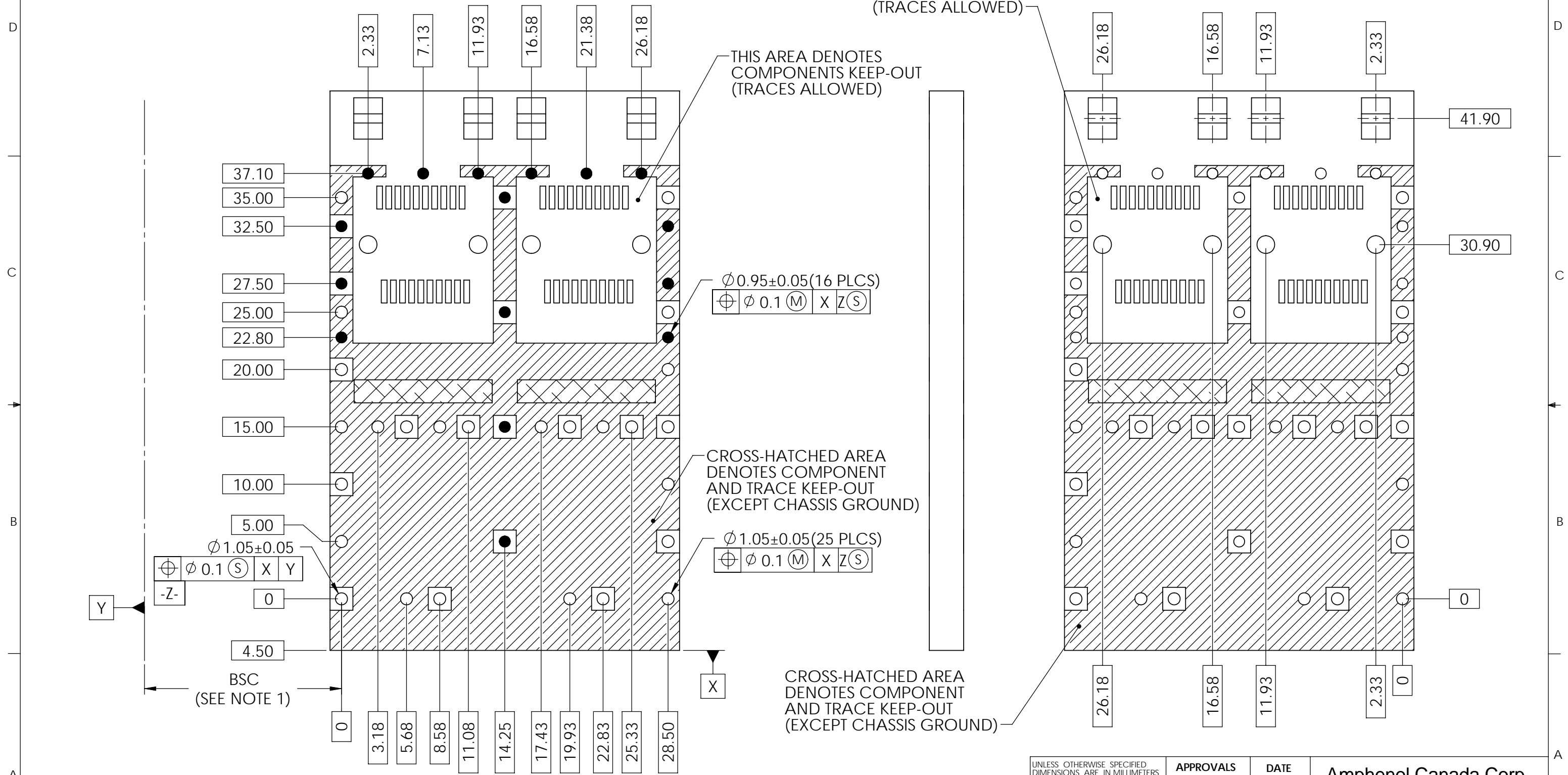
DO NOT SCALE DRAWING

THIS DOCUMENT CONTAINS PROPRIETARY INFORMATION AND SUCH INFORMATION MAY NOT BE DISCLOSED TO OTHERS FOR ANY PURPOSE OR USED FOR MANUFACTURING PURPOSES WITHOUT PERMISSION FROM AMPHENOL CANADA CORP.

UNLESS OTHERWISE SPECIFIED DIMENSIONS ARE IN MILLIMETERS TOLERANCES ARE: DECIMALS ANGLES X.X ± 0.38 ± 1° X.XX ± 0.25	APPROVALS	DATE	Amphenol Canada Corp.
	DRAWN J.SI	JUL21/09	
MATERIAL AND FINISH SEE NOTE 1	DESIGNED		1XN SFP+ CAGE ELASTOMER EMI GASKET, WITH LIGHT PIPE
	CHECKED		
REF.	QA APPD		SIZE A3
CODE IDENT. NO. 03554	IE APPD		DWG. NO. P-U77-CX41M-X081
	DWG APPD		SCALE 2:1
			PROJECT SHEET 6 OF 11

- NOTES:
 1. DATUM AND BASIC DIMENSIONS ESTABLISHED BY CUSTOMER.
 2. PADS AND VIAS ARE CHASSIS GROUND.
 3. THRU-HOLES, PLATING OPTIONAL.
 4. SEE DRAWINGS P-UX76-A20-X00XX FOR CONNECTOR LAYOUT.

REVISIONS				
REV.	ECN/E-R	DESCRIPTION	DATE	APPROVED
A		PROPOSAL	JUL22/09	



RECOMMENDED PCB DESIGN FOR BELLY TO BELLY MOUNTING

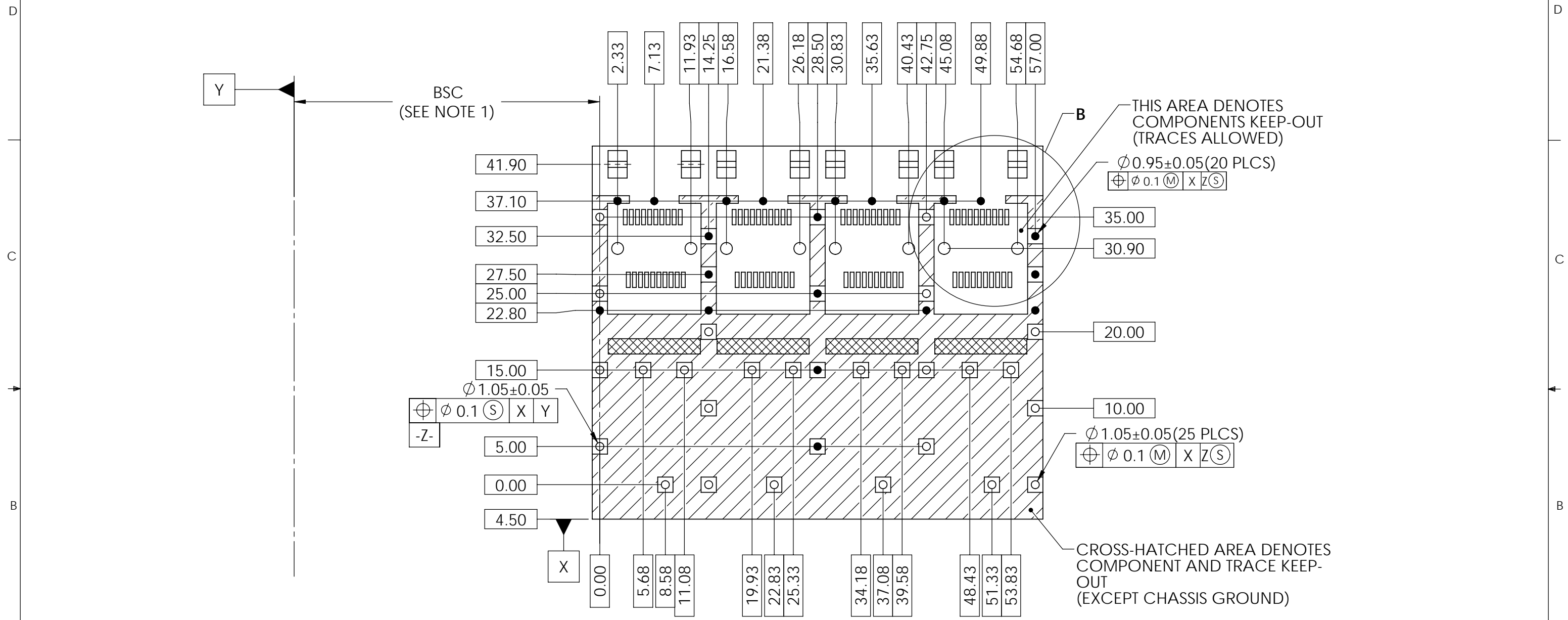
DO NOT SCALE DRAWING

THIS DOCUMENT CONTAINS PROPRIETARY INFORMATION AND SUCH INFORMATION MAY NOT BE DISCLOSED TO OTHERS FOR ANY PURPOSE OR USED FOR MANUFACTURING PURPOSES WITHOUT PERMISSION FROM AMPHENOL CANADA CORP.

UNLESS OTHERWISE SPECIFIED DIMENSIONS ARE IN MILLIMETERS TOLERANCES ARE: DECIMALS ANGLES X.X ± 0.38 ± 1° X.XX ± 0.25	APPROVALS	DATE	Amphenol Canada Corp. TITLE 1XN SFP+ CAGE ELASTOMER EMI GASKET, WITH LIGHT PIPE	
	DRAWN	J.SI		JUL21/09
	DESIGNED			
	CHECKED			
MATERIAL AND FINISH	QA APPD			
SEE NOTE 1	IE APPD			
REF.	DWG APPD			
CODE IDENT. NO. 03554				
		SCALE 3:1		
		PROJECT		
		SHEET 7 OF 11		

- NOTES:
 1. DATUM AND BASIC DIMENSIONS ESTABLISHED BY CUSTOMER.
 2. PADS AND VIAS ARE CHASSIS GROUND.
 3. THRU-HOLES, PLATING OPTIONAL.
 4. SEE DRAWINGS P-UX76-A20-X00XX FOR CONNECTOR LAYOUT.

REVISIONS				
REV.	ECN/E-R	DESCRIPTION	DATE	APPROVED
A		PROPOSAL	JUL22/09	



**RECOMMENDED PCB DESIGN
 FOR SINGLE SIDE MOUNTING
 (P/N U77-C461M-X081)**

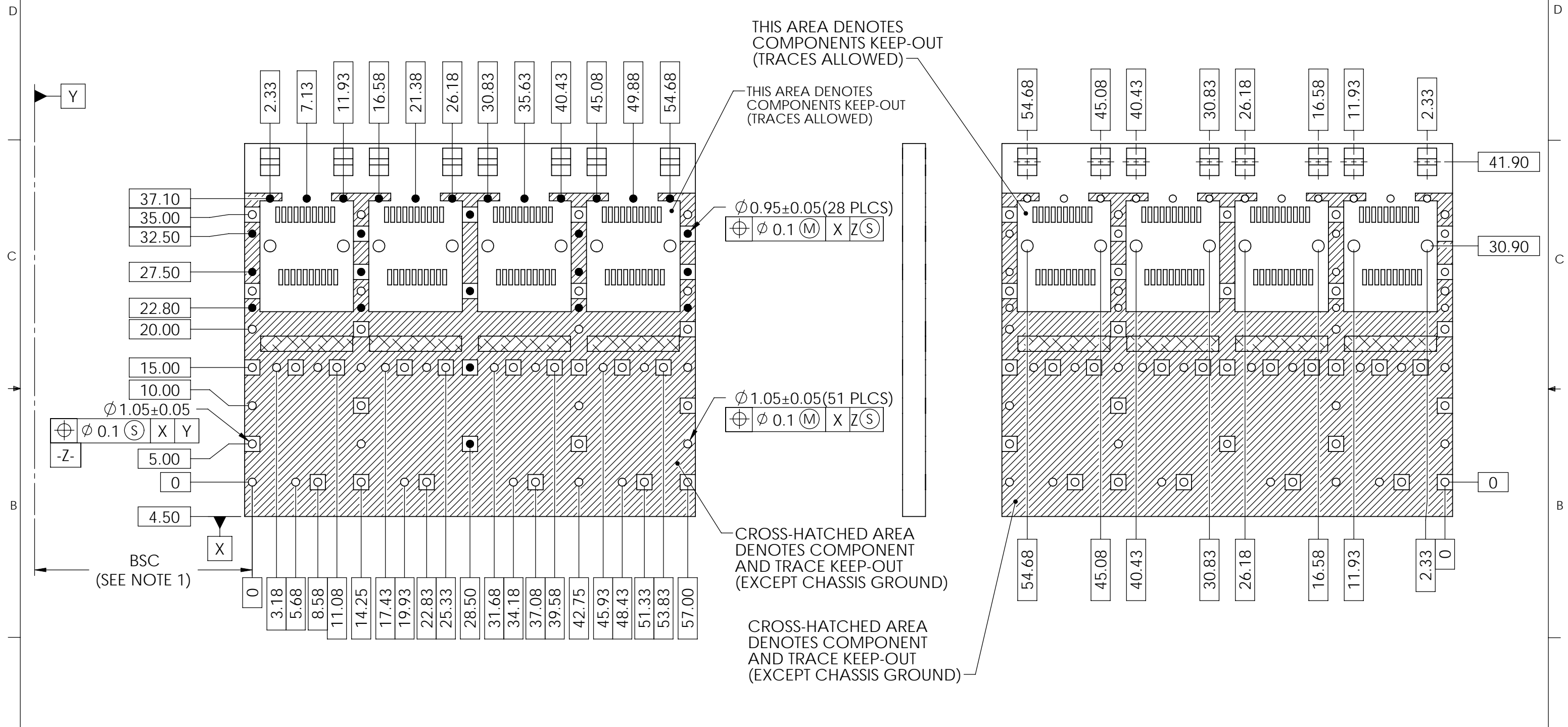
DO NOT SCALE DRAWING

THIS DOCUMENT CONTAINS PROPRIETARY INFORMATION AND SUCH INFORMATION MAY NOT BE DISCLOSED TO OTHERS FOR ANY PURPOSE OR USED FOR MANUFACTURING PURPOSES WITHOUT PERMISSION FROM AMPHENOL CANADA CORP.

UNLESS OTHERWISE SPECIFIED DIMENSIONS ARE IN MILLIMETERS TOLERANCES ARE: DECIMALS ANGLES X.X ± 0.38 ± 1° X.XX ± 0.25 MATERIAL AND FINISH SEE NOTE 1 REF. CODE IDENT. NO. 03554	APPROVALS	DATE	Amphenol Canada Corp. TITLE 1XN SFP+ CAGE ELASTOMER EMI GASKET, WITH LIGHT PIPE SIZE DWG. NO. REV. A3 P-U77-CX41M-X081 A
	DRAWN J.SI	JUL21/09	
	DESIGNED		
	CHECKED		
	QA APPD		
	IE APPD		
	DWG APPD		
			SCALE 1:1 PROJECT SHEET 8 OF 11

- NOTES:
 1. DATUM AND BASIC DIMENSIONS ESTABLISHED BY CUSTOMER.
 2. PADS AND VIAS ARE CHASSIS GROUND.
 3. THRU-HOLES, PLATING OPTIONAL.
 4. SEE DRAWINGS P-UX76-A20-X00XX FOR CONNECTOR LAYOUT.

REVISIONS				
REV.	ECN/E-R	DESCRIPTION	DATE	APPROVED
A		PROPOSAL	JUL22/09	



**RECOMMENDED PCB DESIGN
 FOR BELLY TO BELLY MOUNTING**

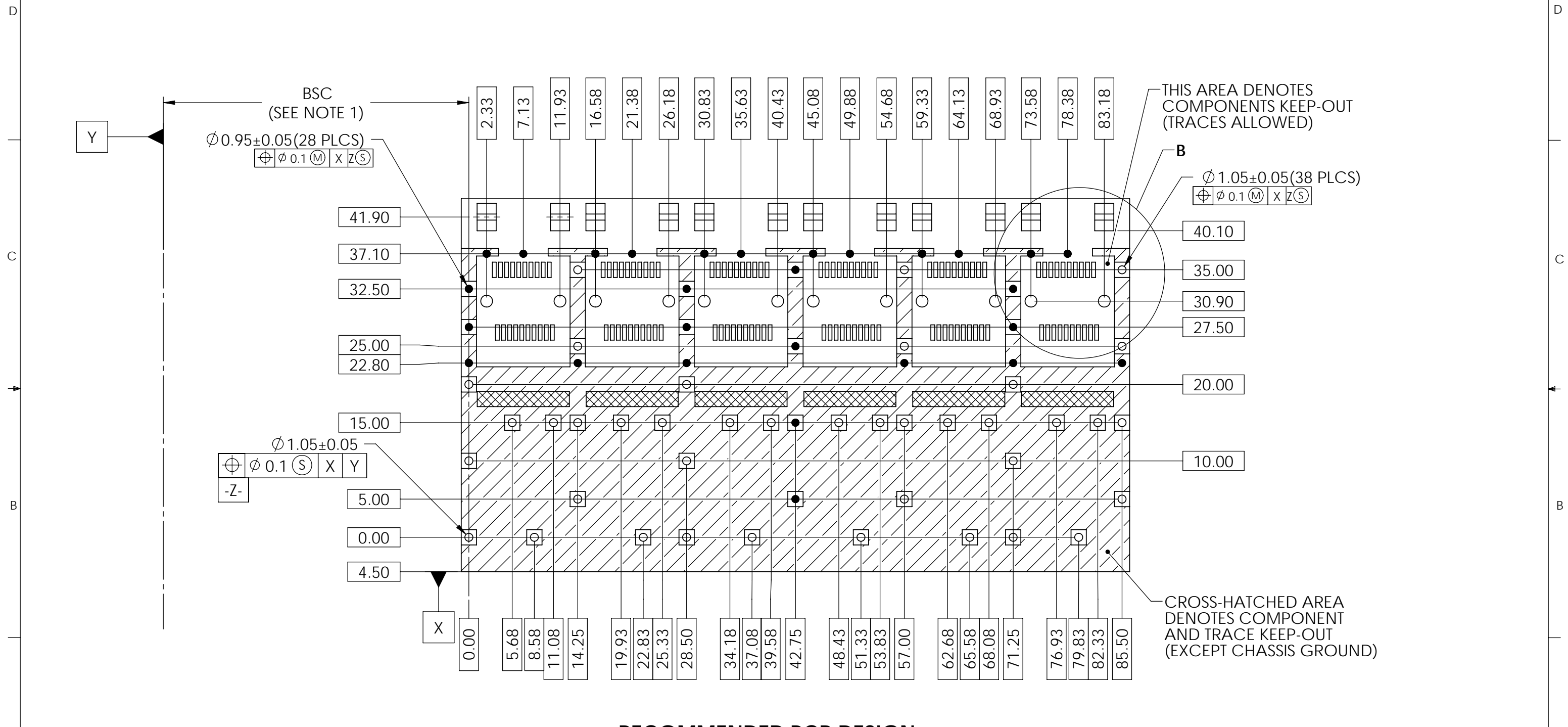
DO NOT SCALE DRAWING

THIS DOCUMENT CONTAINS PROPRIETARY INFORMATION AND SUCH INFORMATION MAY NOT BE DISCLOSED TO OTHERS FOR ANY PURPOSE OR USED FOR MANUFACTURING PURPOSES WITHOUT PERMISSION FROM AMPHENOL CANADA CORP.

UNLESS OTHERWISE SPECIFIED DIMENSIONS ARE IN MILLIMETERS TOLERANCES ARE: DECIMALS X.X ± 0.38 X.XX ± 0.25 MATERIAL AND FINISH SEE NOTE 1 REF. CODE IDENT. NO. 03554	APPROVALS	DATE	Amphenol Canada Corp. TITLE 1XN SFP+ CAGE ELASTOMER EMI GASKET, WITH LIGHT PIPE SIZE A3 DWG. NO. P-U77-CX41M-X081 REV. A SCALE 2:1 PROJECT SHEET 9 OF 11
	DRAWN J.SI	JUL21/09	
	DESIGNED		
	CHECKED		
	QA APPD		
	IE APPD		
	DWG APPD		

- NOTES:
 1. DATUM AND BASIC DIMENSIONS ESTABLISHED BY CUSTOMER.
 2. PADS AND VIAS ARE CHASSIS GROUND.
 3. THRU-HOLES, PLATING OPTIONAL.
 4. SEE DRAWINGS P-UX76-A20-X00XX FOR CONNECTOR LAYOUT.

REVISIONS				
REV.	ECN/E-R	DESCRIPTION	DATE	APPROVED
A		PROPOSAL	JUL22/09	



**RECOMMENDED PCB DESIGN
 FOR SINGLE SIDE MOUNTING
 (P/N U77-C661M-X081)**

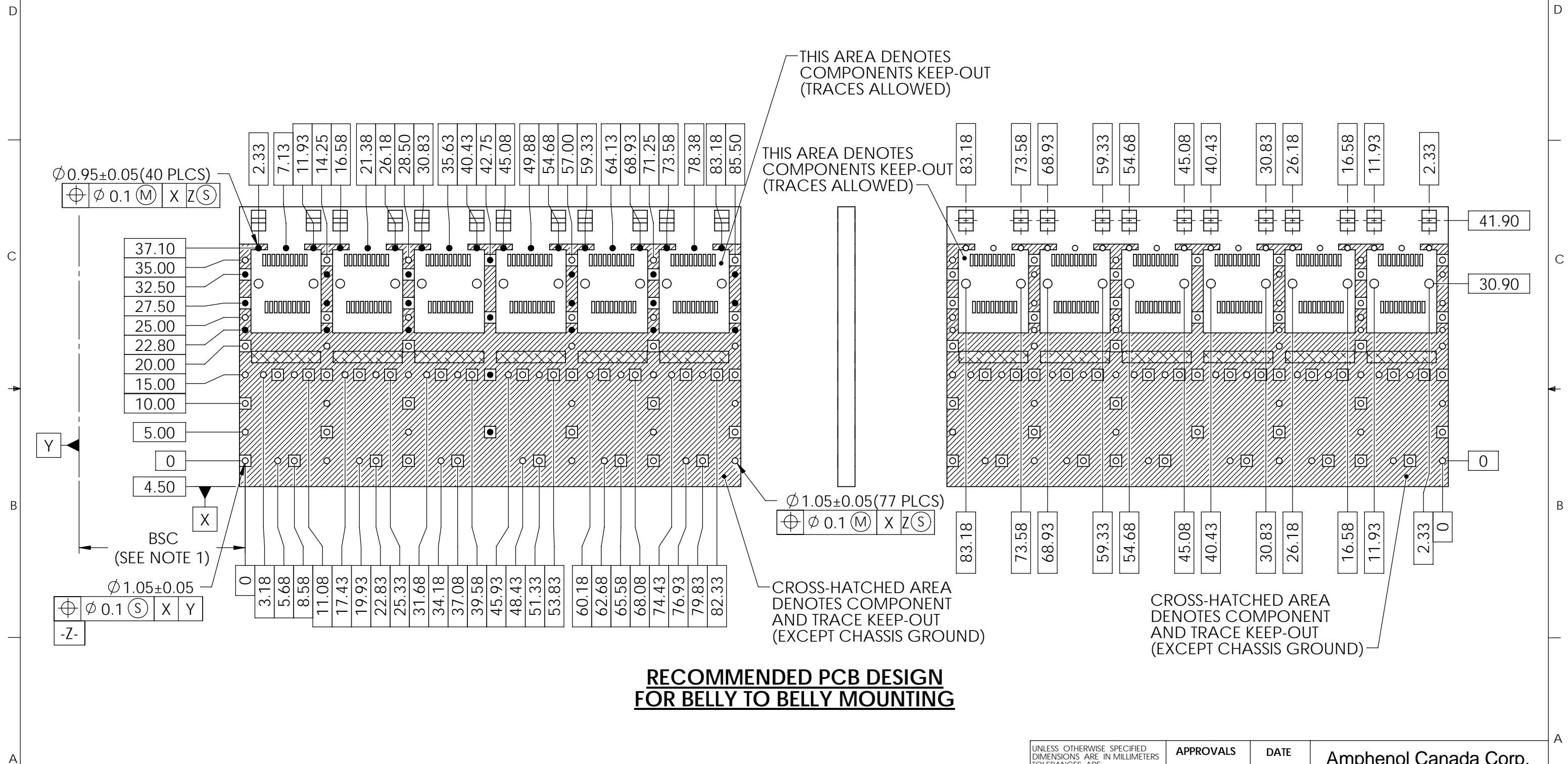
DO NOT SCALE DRAWING

THIS DOCUMENT CONTAINS PROPRIETARY INFORMATION AND SUCH INFORMATION MAY NOT BE DISCLOSED TO OTHERS FOR ANY PURPOSE OR USED FOR MANUFACTURING PURPOSES WITHOUT PERMISSION FROM AMPHENOL CANADA CORP.

UNLESS OTHERWISE SPECIFIED DIMENSIONS ARE IN MILLIMETERS TOLERANCES ARE: DECIMALS ANGLES X.X ± 0.38 ± 1° X.XX ± 0.25	APPROVALS	DATE	Amphenol Canada Corp. TITLE 1XN SFP+ CAGE ELASTOMER EMI GASKET, WITH LIGHT PIPE
	DRAWN J.SI	JUL21/09	
	DESIGNED		
	CHECKED		
MATERIAL AND FINISH SEE NOTE 1	QA APPD		
REF.	IE APPD		SIZE DWG. NO REV. A3 P-U77-CX41M-X081 A
CODE IDENT. NO. 03554	DWG APPD		SCALE PROJECT SHEET 1:1 10 OF 11

- NOTES:
 1. DATUM AND BASIC DIMENSIONS ESTABLISHED BY CUSTOMER.
 2. PADS AND VIAS ARE CHASSIS GROUND.
 3. THRU-HOLES, PLATING OPTIONAL.
 4. SEE DRAWINGS P-UX76-A20-X00XX FOR CONNECTOR LAYOUT.

REVISIONS				
REV.	ECN/E-R	DESCRIPTION	DATE	APPROVED
A		PROPOSAL	JUL22/09	



RECOMMENDED PCB DESIGN FOR BELLY TO BELLY MOUNTING

DO NOT SCALE DRAWING

THIS DOCUMENT CONTAINS PROPRIETARY INFORMATION AND SUCH INFORMATION MAY NOT BE DISCLOSED TO OTHERS FOR ANY PURPOSE OR USED FOR MANUFACTURING PURPOSES WITHOUT PERMISSION FROM AMPHENOL CANADA CORP.

UNLESS OTHERWISE SPECIFIED DIMENSIONS ARE IN MILLIMETERS TOLERANCES ARE: DECIMALS ANGLES X.X ± 0.38 ± 1° X.XX ± 0.25	APPROVALS	DATE	Amphenol Canada Corp. TITLE 1XN SFP+ CAGE ELASTOMER EMI GASKET, WITH LIGHT PIPE
	DRAWN J.SI	JUL21/09	
	DESIGNED		
	CHECKED		
MATERIAL AND FINISH SEE NOTE 1	QA APPD		
REF.	IE APPD		SIZE A3 DWG. NO P-U77-CX41M-X081 REV. A
CODE IDENT. NO. 03554	DWG APPD		SCALE 3:2 PROJECT SHEET 11 OF 11

Компания «Океан Электроники» предлагает заключение долгосрочных отношений при поставках импортных электронных компонентов на взаимовыгодных условиях!

Наши преимущества:

- Поставка оригинальных импортных электронных компонентов напрямую с производств Америки, Европы и Азии, а так же с крупнейших складов мира;
- Широкая линейка поставок активных и пассивных импортных электронных компонентов (более 30 млн. наименований);
- Поставка сложных, дефицитных, либо снятых с производства позиций;
- Оперативные сроки поставки под заказ (от 5 рабочих дней);
- Экспресс доставка в любую точку России;
- Помощь Конструкторского Отдела и консультации квалифицированных инженеров;
- Техническая поддержка проекта, помощь в подборе аналогов, поставка прототипов;
- Поставка электронных компонентов под контролем ВП;
- Система менеджмента качества сертифицирована по Международному стандарту ISO 9001;
- При необходимости вся продукция военного и аэрокосмического назначения проходит испытания и сертификацию в лаборатории (по согласованию с заказчиком);
- Поставка специализированных компонентов военного и аэрокосмического уровня качества (Xilinx, Altera, Analog Devices, Intersil, Interpoint, Microsemi, Actel, Aeroflex, Peregrine, VPT, Syfer, Eurofarad, Texas Instruments, MS Kennedy, Miteq, Cobham, E2V, MA-COM, Hittite, Mini-Circuits, General Dynamics и др.);

Компания «Океан Электроники» является официальным дистрибьютором и эксклюзивным представителем в России одного из крупнейших производителей разъемов военного и аэрокосмического назначения «JONHON», а так же официальным дистрибьютором и эксклюзивным представителем в России производителя высокотехнологичных и надежных решений для передачи СВЧ сигналов «FORSTAR».



JONHON

«JONHON» (основан в 1970 г.)

Разъемы специального, военного и аэрокосмического назначения:

(Применяются в военной, авиационной, аэрокосмической, морской, железнодорожной, горно- и нефтедобывающей отраслях промышленности)

«FORSTAR» (основан в 1998 г.)

ВЧ соединители, коаксиальные кабели,
кабельные сборки и микроволновые компоненты:

(Применяются в телекоммуникациях гражданского и специального назначения, в средствах связи, РЛС, а так же военной, авиационной и аэрокосмической отраслях промышленности).



Телефон: 8 (812) 309-75-97 (многоканальный)

Факс: 8 (812) 320-03-32

Электронная почта: ocean@oceanchips.ru

Web: <http://oceanchips.ru/>

Адрес: 198099, г. Санкт-Петербург, ул. Калинина, д. 2, корп. 4, лит. А