
150mA 36V Input LDO Regulator

NO.EA-258-140703

OUTLINE

The R1516x Series are CMOS-based high-voltage resistant and low supply current voltage regulator ICs that provide the minimum 150mA of output voltage. Internally, the R1516x Series consists of a Foldback Protection Circuit, and a Thermal Shutdown Circuit in addition to the basic regulator circuits. The operating temperature range is between -40°C to 105°C , and the maximum input voltage is 36V. All these features allow the R1516x Series to become an ideal power source of electric home appliances.

The R1516x Series are available in fixed output voltage options between 1.8V and 6.2V in 0.1V steps. The output voltage accuracy is $\pm 1\%$.

The R1516x Series are available in two types of packages: SOT-89-5 that is for high-density mounting and HSOP-6J that is for high wattage.

FEATURES

- Input Voltage Range..... 4V to 36V
- Supply Current..... Typ. 29 μA
- Standby Current..... Typ. 0.1 μA
- Output Voltage Temperature Coefficient..... Typ. $\pm 100\text{ppm}/^{\circ}\text{C}$
- Output Current Min. 150mA ($V_{\text{OUT}}=5.0\text{V}$, $V_{\text{IN}}=8.0\text{V}$)
- Line Regulation..... Typ. 0.1%/V
- Output Voltage Accuracy..... $\pm 1\%$ ($V_{\text{OUT}} \geq 3.2\text{V}$, $T_{\text{opt}}=25^{\circ}\text{C}$)
- Packages SOT-89-5, HSOP-6J
- Output Voltage Range 1.8V to 6.2V (0.1V steps)
(For other voltages, please refer to MARK INFORMATIONS.)
- Built-in Foldback Protection Circuit..... 50mA (Current at short mode)
- Built-in Thermal Shutdown Circuit Stops at 160°C
- Operating Temperature -40 to 105°C

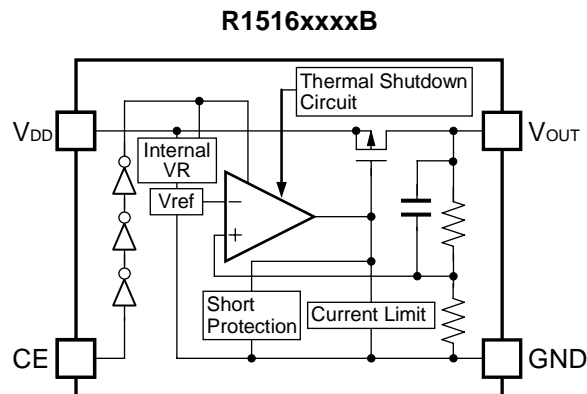
APPLICATIONS

- Power source for home appliances such as refrigerators, rice cookers, electric hot-water pot.
- Power source for notebook PCs, digital TVs, cordless phones, and private LAN system.
- Power source for office equipment machines such as copiers, printers, facsimiles, scanners, projectors.

R1516x

NO.EA-258-140703

BLOCK DIAGRAMS



SELECTION GUIDE

The output voltage and the package for the ICs can be selected at the user's request.

Product Name	Package	Quantity per Reel	Pb Free	Halogen Free
R1516HxxxB-T1-FE	SOT-89-5	1,000pcs	Yes	Yes
R1516SxxxB-E2-FE	HSOP-6J	1,000pcs	Yes	Yes

xxx : The output voltage can be designated in the range of 1.8V (018) to 6.2V (062) in 0.1V steps.
(For other voltages, please refer to MARK INFORMATIONS.)

PIN CONFIGURATIONS



PIN DESCRIPTIONS

• SOT-89-5

Pin No.	Symbol	Description
1	V_{OUT}	Output Pin
2	GND*	Ground Pin
3	CE	Chip Enable Pin ("H" Active)
4	GND*	Ground Pin
5	V_{DD}	Input Pin

*) The GND pin must be wired together when it is mounted on board.

• HSOP-6J

Pin No.	Symbol	Description
1	V_{OUT}	Output Pin
2	GND*	Ground Pin
3	CE	Chip Enable Pin ("H" Active)
4	GND*	Ground Pin
5	GND*	Ground Pin
6	V_{DD}	Input Pin

*) The GND pin must be wired together when it is mounted on board.

ABSOLUTE MAXIMUM RATINGS

Symbol	Item	Rating	Unit
V_{IN}	Input Voltage	-0.3~50	V
V_{IN}	Peak Input Voltage*1	60	V
V_{CE}	Input Voltage (CE Pin)	-0.3~ $V_{IN}+0.3 \leq 50$	V
V_{OUT}	Output Voltage	-0.3~ $V_{IN}+0.3 \leq 50$	V
I_{OUT}	Output Current	250	mA
P_D	Power Dissipation (SOT-89-5)*2	900	mW
	Power Dissipation (HSOP-6J)*2	1700	
T_{opt}	Operating Temperature Range	-40 to +105	°C
T_{stg}	Storage Temperature Range	-55 to +125	°C

*1) Duration time: 200ms

*2) For Power Dissipation, please refer to PACKAGE INFORMATION.

ABSOLUTE MAXIMUM RATINGS

Electronic and mechanical stress momentarily exceeded absolute maximum ratings may cause the permanent damages and may degrade the life time and safety for both device and system using the device in the field. The functional operation at or over these absolute maximum ratings is not assured.

ELECTRICAL CHARACTERISTICS

The specifications in are applicable under the condition of $-40^{\circ}\text{C} \leq T_{\text{opt}} \leq 105^{\circ}\text{C}$.

● R1516xxxxB

$T_{\text{opt}}=25^{\circ}\text{C}$

Symbol	Item	Conditions	Min.	Typ.	Max.	Unit	
V_{IN}	Input Voltage		4		36	V	
I_{SS}	Supply Current	$V_{\text{IN}}=V_{\text{OUT}}+3.0\text{V}$, $I_{\text{OUT}}=0\text{mA}$		29	45	μA	
I_{standby}	Standby Current	$V_{\text{IN}}=36\text{V}$, $V_{\text{CE}}=0\text{V}$		0.1	1.0	μA	
V_{OUT}	Output Voltage	$V_{\text{IN}}=V_{\text{OUT}}+3.0\text{V}$, $I_{\text{OUT}}=1\text{mA}$	$V_{\text{OUT}} \geq 3.2\text{V}$	$\times 0.99$ $\times 0.98$	$\times 1.01$ $\times 1.02$	V	
			$V_{\text{OUT}} < 3.2\text{V}$	$\times 0.985$ $\times 0.975$	$\times 1.015$ $\times 1.025$		
I_{OUT}	Output Current	Please refer to "Output Current by Output Voltage".					
$\Delta V_{\text{OUT}}/\Delta I_{\text{OUT}}$	Load Regulation	Please refer to "Load Regulation by Output Voltage".					
$\Delta V_{\text{OUT}}/\Delta V_{\text{IN}}$	Line Regulation	$I_{\text{OUT}}=1\text{mA}$	$V_{\text{OUT}}+1.5\text{V} \leq V_{\text{IN}} \leq 36\text{V}$, ($V_{\text{OUT}} \geq 2.5\text{V}$)		0.1	0.7	%V
			$4\text{V} \leq V_{\text{IN}} \leq 36\text{V}$, ($V_{\text{OUT}} < 2.5\text{V}$)				
V_{DIF}	Dropout Voltage	Please refer to "Dropout Voltage by Output Voltage".					
$\Delta V_{\text{OUT}}/\Delta T_{\text{opt}}$	Output Voltage Temperature Coefficient	$V_{\text{IN}}=V_{\text{OUT}}+3.0\text{V}$, $I_{\text{OUT}}=1\text{mA}$ $-40^{\circ}\text{C} \leq T_{\text{opt}} \leq 105^{\circ}\text{C}$		± 100		ppm/ $^{\circ}\text{C}$	
I_{SC}	Short Current Limit	$V_{\text{OUT}}=0\text{V}$		50		mA	
V_{CEH}	CE Input Voltage "H"		1.3		V_{IN}	V	
V_{CEL}	CE Input Voltage "L"		0		0.35	V	
T_{TSD}	Thermal Shutdown Temperature	Junction Temperature	150	160		$^{\circ}\text{C}$	
T_{TSR}	Thermal Shutdown Released Temperature	Junction Temperature		125		$^{\circ}\text{C}$	

● Output Current by Output Voltage

$T_{\text{opt}}=25^{\circ}\text{C}$

Output Voltage V_{OUT} (V)	Output Current I_{OUT} (mA)	
	Condition	Min.
$1.8 \leq V_{\text{OUT}} < 3.0$	$V_{\text{IN}}=V_{\text{OUT}}+5.0\text{V}$	150
$3.0 \leq V_{\text{OUT}} < 5.0$	$V_{\text{IN}}=V_{\text{OUT}}+4.0\text{V}$	
$5.0 \leq V_{\text{OUT}} \leq 6.2$	$V_{\text{IN}}=V_{\text{OUT}}+3.0\text{V}$	

● Load Regulation by Output Voltage

$T_{\text{opt}}=25^{\circ}\text{C}$

Output Voltage V_{OUT} (V)	Load Regulation (mV)		
	Condition	Typ.	Max.
$1.8 \leq V_{\text{OUT}} \leq 3.0$	$V_{\text{IN}}=V_{\text{OUT}}+3.0\text{V}$ $1\text{mA} \leq I_{\text{OUT}} \leq 40\text{mA}$	30 ($V_{\text{OUT}}=3.0\text{V}$)	70
$3.0 < V_{\text{OUT}} \leq 5.0$		40 ($V_{\text{OUT}}=5.0\text{V}$)	105
$5.0 < V_{\text{OUT}} \leq 6.2$		50 ($V_{\text{OUT}}=6.2\text{V}$)	125

R1516x

NO.EA-258-140703

● Dropout Voltage by Output Voltage

($I_{OUT}=20mA$)

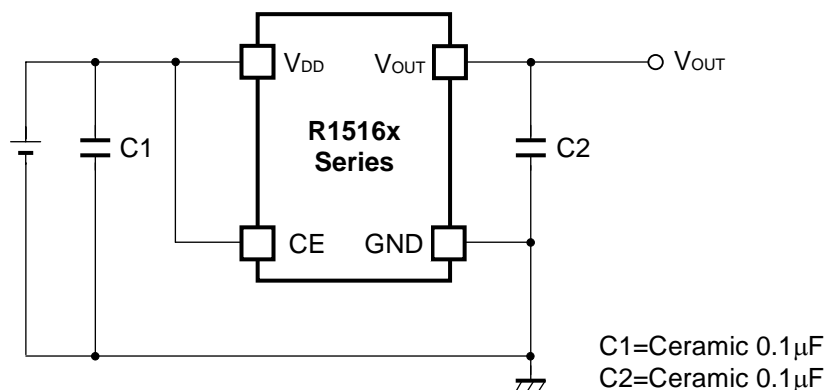
$T_{opt}=25^{\circ}C$

Output Voltage V_{OUT} (V)	Dropout Voltage V_{DIF} (V)
	Max.
$V_{OUT}=1.8$	2.30
$V_{OUT}=1.9$	2.20
$V_{OUT}=2.0$	2.10
$V_{OUT}=2.1$	2.00
$V_{OUT}=2.2$	1.90
$V_{OUT}=2.3$	1.80
$V_{OUT}=2.4$	1.70
$V_{OUT}=2.5$	1.60
$V_{OUT}=2.6$	1.50
$V_{OUT}=2.7$	1.40
$V_{OUT}=2.8$	1.30
$V_{OUT}=2.9$	1.20
$V_{OUT}=3.0$	1.10
$V_{OUT}=3.1$	1.06
$V_{OUT}=3.2$	1.02
$V_{OUT}=3.3$	0.98
$V_{OUT}=3.4$	0.94
$V_{OUT}=3.5$	0.90
$V_{OUT}=3.6$	0.86
$V_{OUT}=3.7$	0.82
$V_{OUT}=3.8$	0.78
$V_{OUT}=3.9$	0.74
$V_{OUT}=4.0$	0.70
$V_{OUT}=4.1$	0.69
$V_{OUT}=4.2$	0.68
$V_{OUT}=4.3$	0.67
$V_{OUT}=4.4$	0.66
$V_{OUT}=4.5$	0.65
$V_{OUT}=4.6$	0.64
$V_{OUT}=4.7$	0.63
$V_{OUT}=4.8$	0.62
$V_{OUT}=4.9$	0.61
$5.0 \leq V_{OUT} \leq 6.2$	0.60

RECOMMENDED OPERATING CONDITIONS (ELECTRICAL CHARACTERISTICS)

All of electronic equipment should be designed that the mounted semiconductor devices operate within the recommended operating conditions. The semiconductor devices cannot operate normally over the recommended operating conditions, even if when they are used over such conditions by momentary electronic noise or surge. And the semiconductor devices may receive serious damage when they continue to operate over the recommended operating conditions.

TYPICAL APPLICATION



TECHNICAL NOTES

When using the R1516x Series, please consider the following points.

Phase Compensation

The R1516x Series provide the constant-voltage without using C1 and C2 capacitors. However, if the input line is too long, C1 should be connected. To minimize the input voltage fluctuation and the transient output voltage fluctuation that is caused by the load fluctuation, C2 size should be increased. Please refer to the Basic Test Circuit below when connecting a 0.1 μ F to 20 μ F C1 capacitor from V_{DD} to GND, and also connecting a 0.1 μ F to 20 μ F C2 capacitor from V_{OUT} to GND. The C1 and C2 capacitors, V_{DD}, GND and V_{OUT} should be connected as close as possible to each other.

GND Wiring on Boards

For SOT-89-5 package, please connect the No.2 pin and the No.4 pin to the ground plane on the board.

For HSOP-6J package, please connect the No.2 pin, the No.4 pin and the No.5 pin to the ground plane on the board.

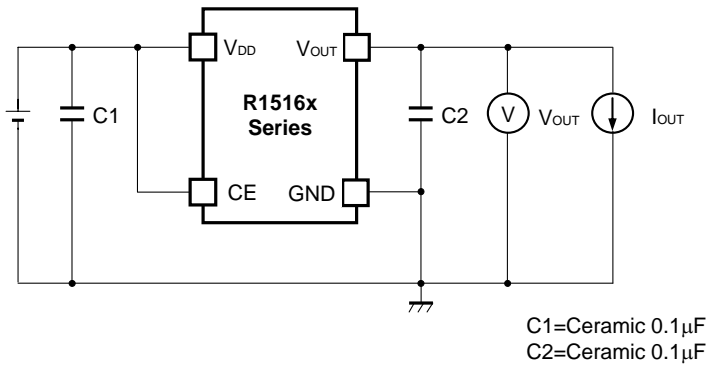
Thermal Shutdown

The thermal shutdown is included, which limits the junction temperature to a maximum 160°C (Typ.). Under extreme conditions when the junction temperature begins to rise above 160°C, the output is turned off, reducing the output current to zero. When the junction temperature drops below +125°C (Typ.), the output is turned on again and the output current is restored to its nominal value. The output repeats turning on and off to form a pulse shaped output unless the causes of the temperature rise are removed.

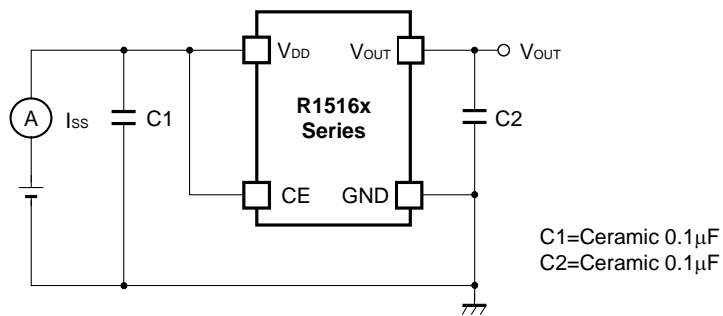
Chip Enable (CE) Circuit

The electrical potential level of chip enable (CE) pin should not be set in between V_{CEH} and V_{CEL}. Using the electrical potentials in between V_{CEH} and V_{CEL} may cause the increase of supply current and may result in unstable output.

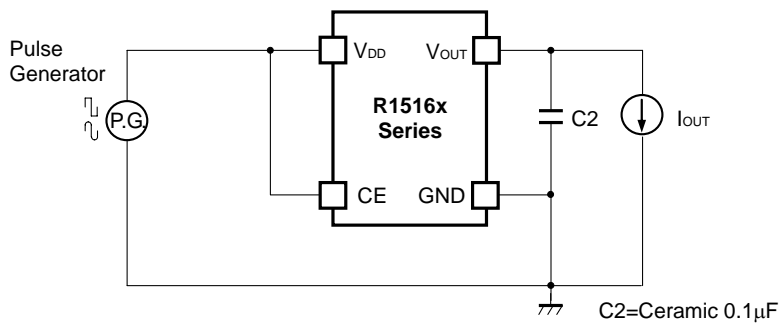
TEST CIRCUITS



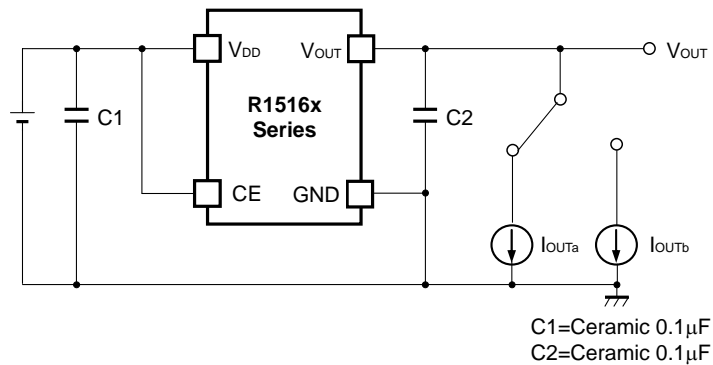
Basic Test Circuit



Test Circuit for Supply Current



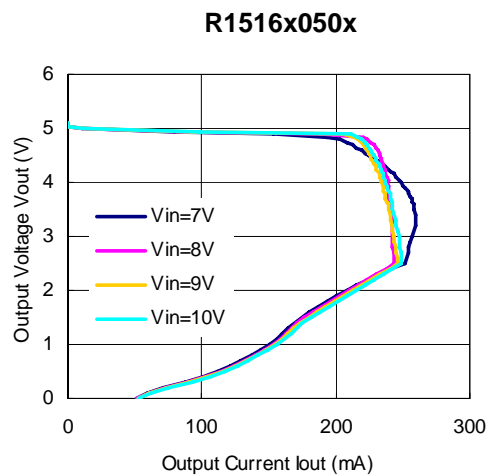
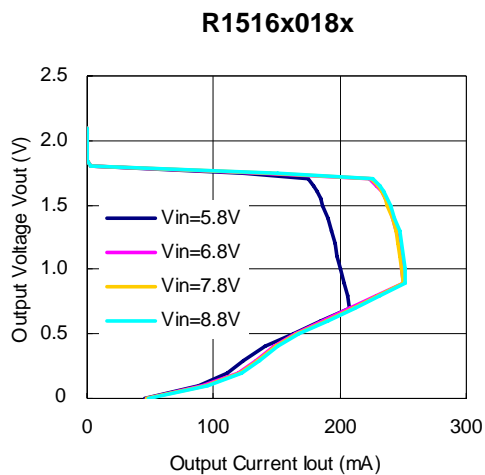
Test Circuit for Line Transient Response



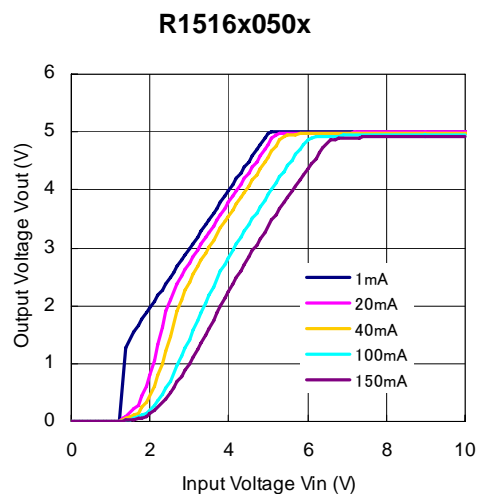
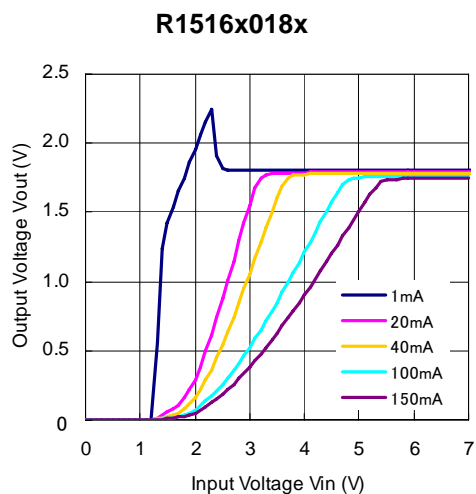
Test Circuit for Load Transient Response

Typical Characteristics

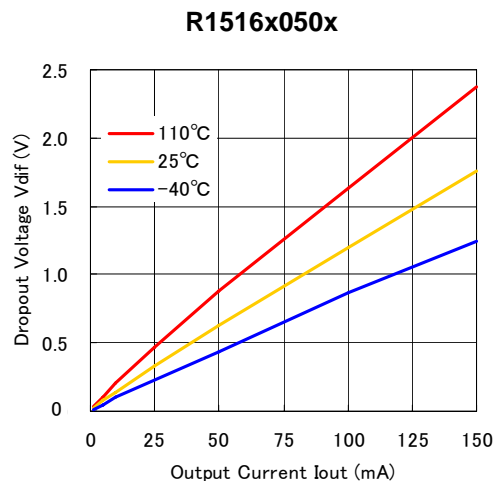
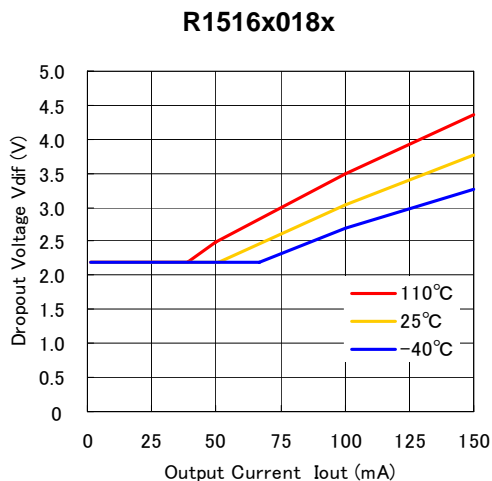
1) Output Voltage vs. Output Current ($C_1=0.1\mu\text{F}$, $C_2=0.1\mu\text{F}$, $T_{\text{opt}}=25^\circ\text{C}$)



2) Output Voltage vs. Input Voltage ($C_1=0.1\mu\text{F}$, $C_2=0.1\mu\text{F}$, $T_{\text{opt}}=25^\circ\text{C}$)



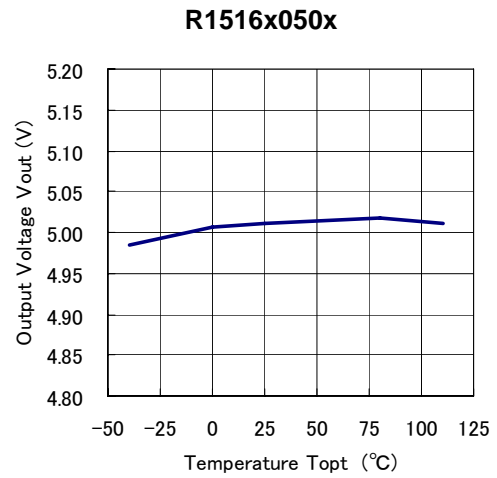
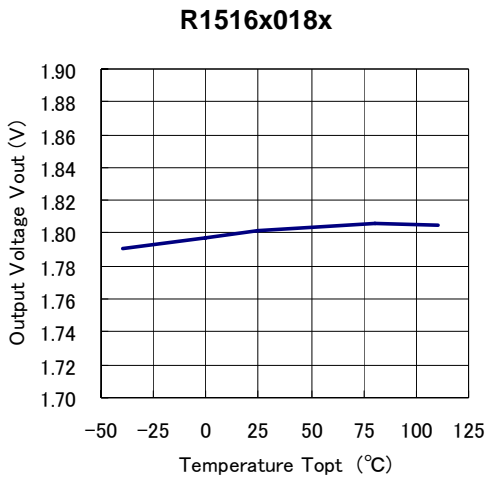
3) Dropout Voltage vs. Output Voltage ($C_1=0.1\mu\text{F}$, $C_2=0.1\mu\text{F}$, $T_{\text{opt}}=25^\circ\text{C}$)



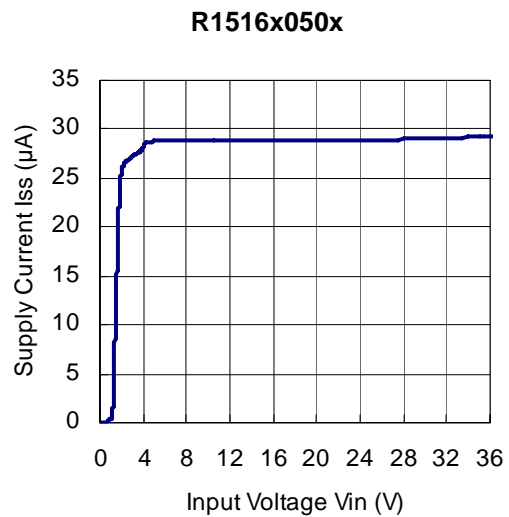
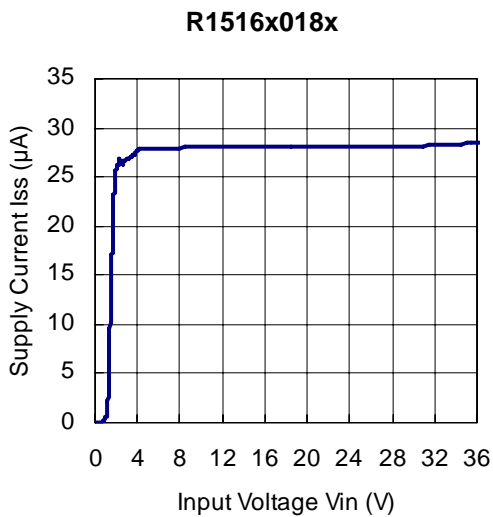
R1516x

NO.EA-258-140703

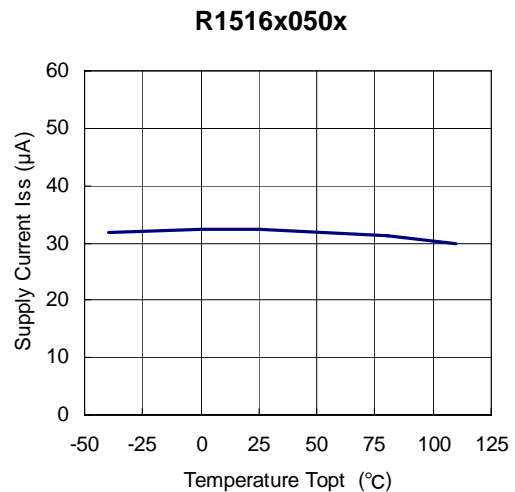
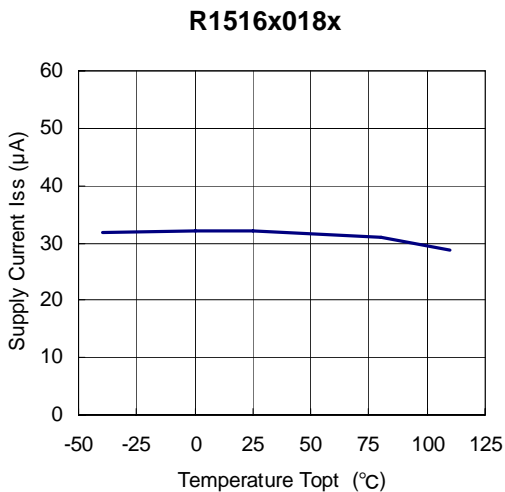
4) Output Voltage vs. Temperature (C1=0.1 μ F, C2=0.1 μ F)



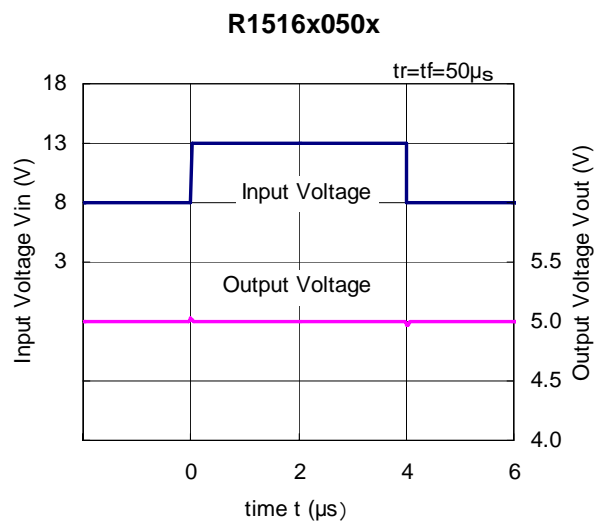
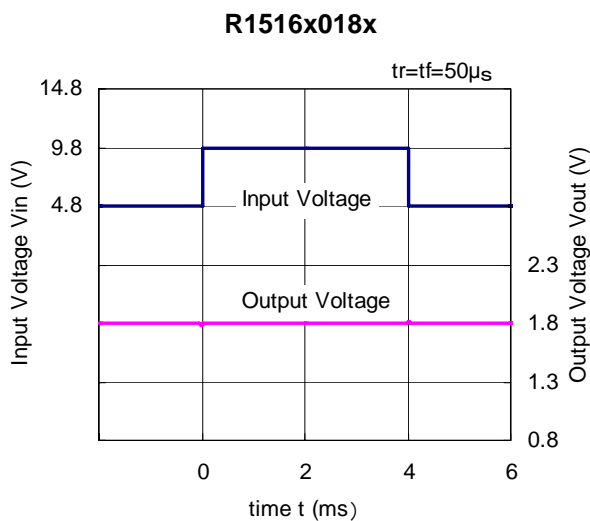
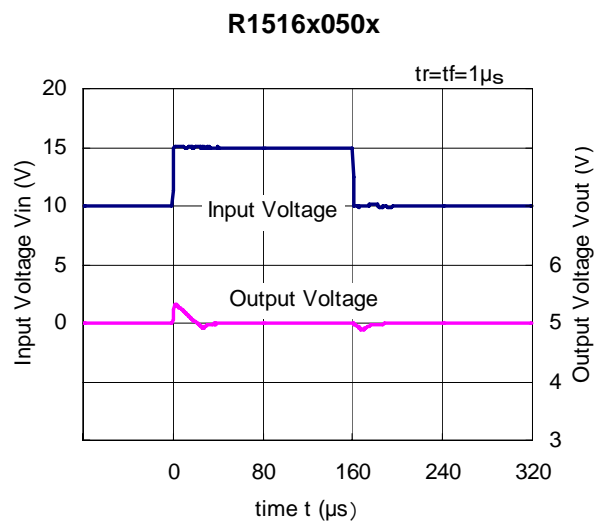
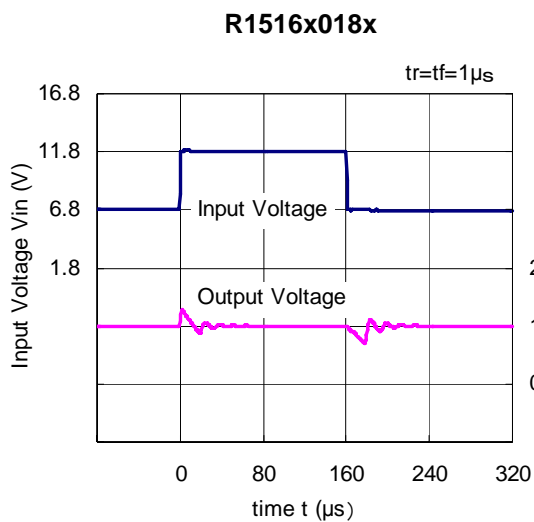
5) Supply Current vs. Input Voltage (C1=0.1 μ F, C2=0.1 μ F, T_{opt}=25°C)



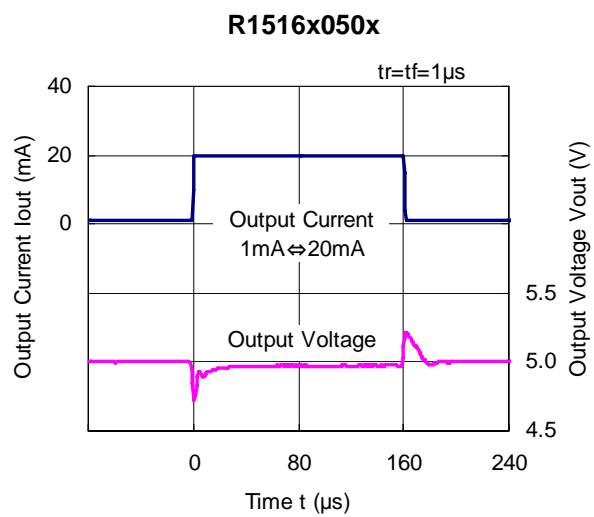
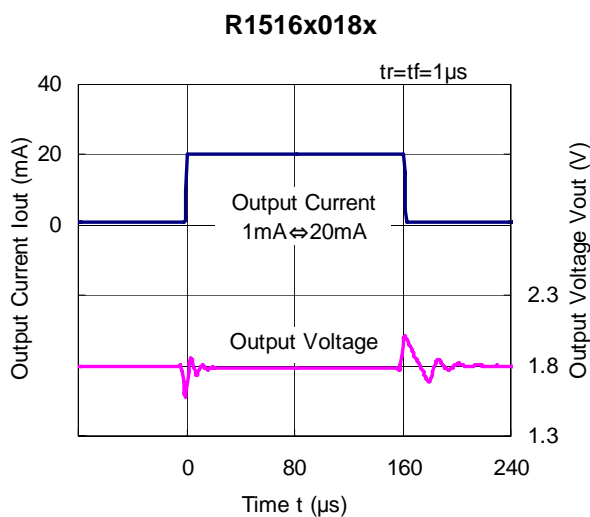
6) Supply Current vs. Temperature (C1=0.1 μ F, C2=0.1 μ F)



7) Input Transient Response (C1=none, C2=Ceramic 0.1μF, I_{OUT}=1mA, T_{opt}=25°C)



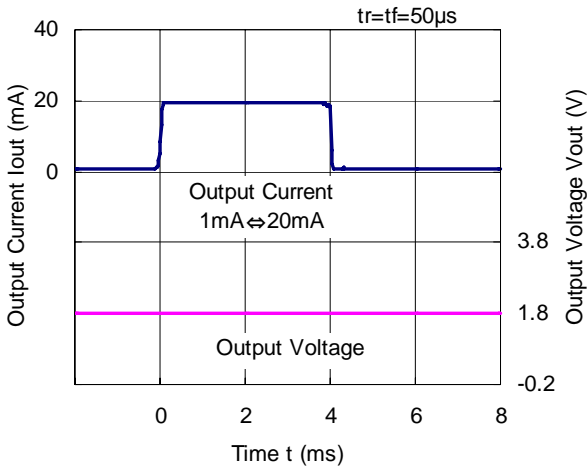
8) Load Transient Response (C₁=Ceramic 0.1μF, C₂=Ceramic 0.1μF, T_{opt}=25°C)



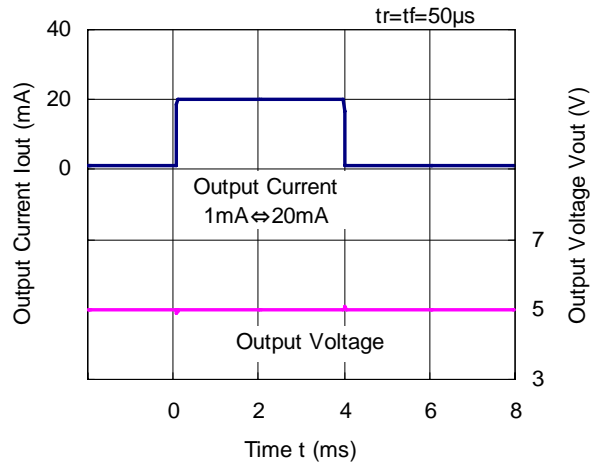
R1516x

NO.EA-258-140703

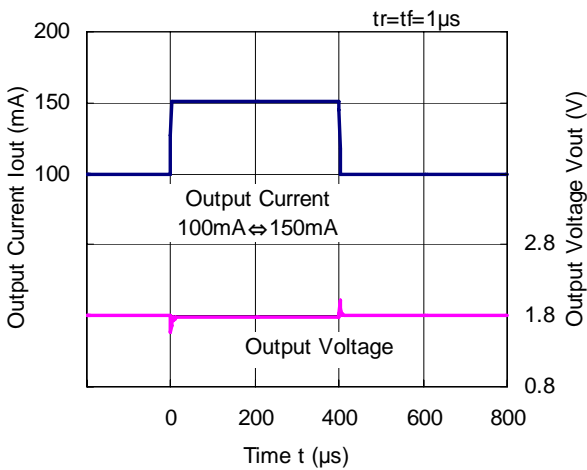
R1516x018x



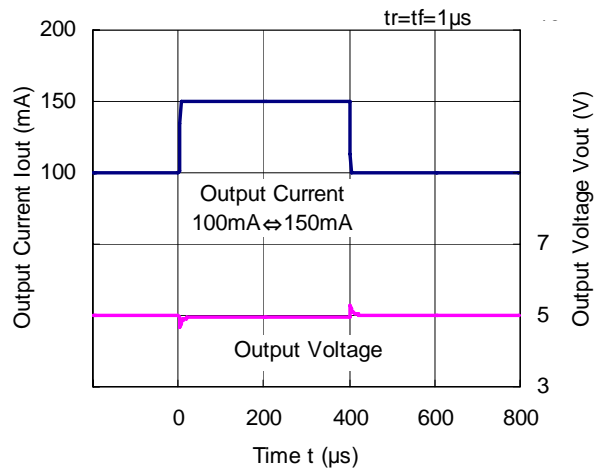
R1516x050x



R1516x018x

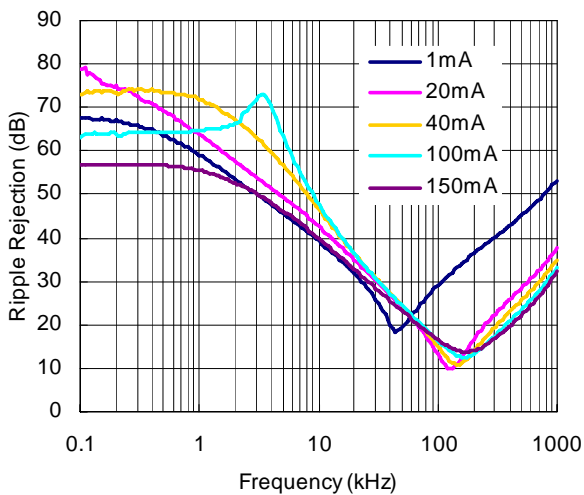


R1516x050x

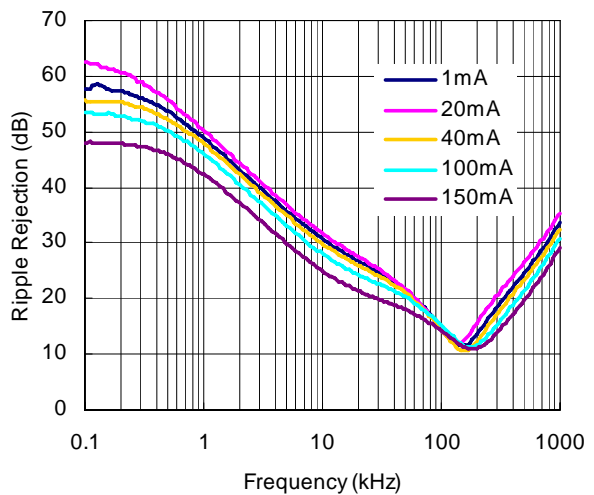


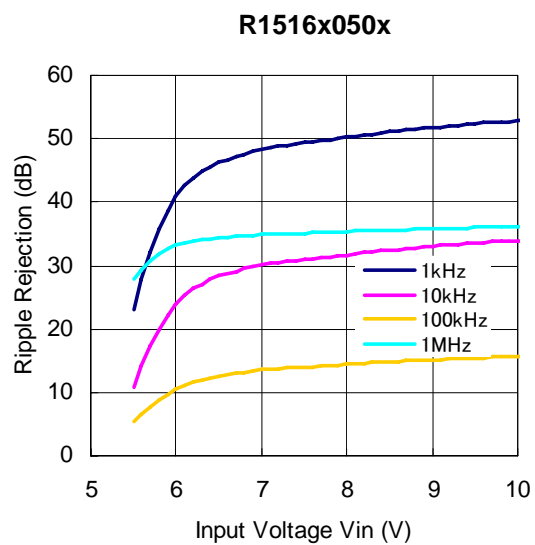
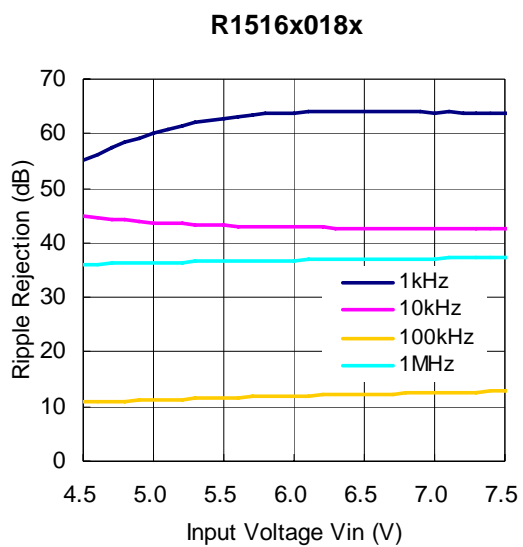
9) Ripple Rejection vs. Frequency (C1=none, C2=Ceramic 0.1µF, Ripple=0.5Vp-p, Topt=25°C)

R1516x018x



R1516x050x



10) Ripple Rejection vs. Input Voltage (C1=none, C2=Ceramic 0.1 μ F, I_{OUT}=20mA, Ripple=0.5Vp-p, T_{opt}=25°C)



1. The products and the product specifications described in this document are subject to change or discontinuation of production without notice for reasons such as improvement. Therefore, before deciding to use the products, please refer to Ricoh sales representatives for the latest information thereon.
2. The materials in this document may not be copied or otherwise reproduced in whole or in part without prior written consent of Ricoh.
3. Please be sure to take any necessary formalities under relevant laws or regulations before exporting or otherwise taking out of your country the products or the technical information described herein.
4. The technical information described in this document shows typical characteristics of and example application circuits for the products. The release of such information is not to be construed as a warranty of or a grant of license under Ricoh's or any third party's intellectual property rights or any other rights.
5. The products listed in this document are intended and designed for use as general electronic components in standard applications (office equipment, telecommunication equipment, measuring instruments, consumer electronic products, amusement equipment etc.). Those customers intending to use a product in an application requiring extreme quality and reliability, for example, in a highly specific application where the failure or misoperation of the product could result in human injury or death (aircraft, spacevehicle, nuclear reactor control system, traffic control system, automotive and transportation equipment, combustion equipment, safety devices, life support system etc.) should first contact us.
6. We are making our continuous effort to improve the quality and reliability of our products, but semiconductor products are likely to fail with certain probability. In order to prevent any injury to persons or damages to property resulting from such failure, customers should be careful enough to incorporate safety measures in their design, such as redundancy feature, fire containment feature and fail-safe feature. We do not assume any liability or responsibility for any loss or damage arising from misuse or inappropriate use of the products.
7. Anti-radiation design is not implemented in the products described in this document.
8. The X-ray exposure can influence functions and characteristics of the products. Confirm the product functions and characteristics in the evaluation stage.
9. WLCSP products should be used in light shielded environments. The light exposure can influence functions and characteristics of the products under operation or storage.
10. There can be variation in the marking when different AOI (Automated Optical Inspection) equipment is used. In the case of recognizing the marking characteristic with AOI, please contact Ricoh sales or our distributor before attempting to use AOI.
11. Please contact Ricoh sales representatives should you have any questions or comments concerning the products or the technical information.



Ricoh is committed to reducing the environmental loading materials in electrical devices with a view to contributing to the protection of human health and the environment.

Ricoh has been providing RoHS compliant products since April 1, 2006 and Halogen-free products since April 1, 2012.

RICOH RICOH ELECTRONIC DEVICES CO., LTD.

<https://www.e-devices.ricoh.co.jp/en/>

Sales & Support Offices

Ricoh Electronic Devices Co., Ltd.

Shin-Yokohama Office (International Sales)

2-3, Shin-Yokohama 3-chome, Kohoku-ku, Yokohama-shi, Kanagawa, 222-8530, Japan
Phone: +81-50-3814-7687 Fax: +81-45-474-0074

Ricoh Americas Holdings, Inc.

675 Campbell Technology Parkway, Suite 200 Campbell, CA 95008, U.S.A.
Phone: +1-408-610-3105

Ricoh Europe (Netherlands) B.V.

Semiconductor Support Centre

Prof. W.H. Keesomlaan 1, 1183 DJ Amstelveen, The Netherlands
Phone: +31-20-5474-309

Ricoh International B.V. - German Branch

Semiconductor Sales and Support Centre

Oberrather Strasse 6, 40472 Düsseldorf, Germany
Phone: +49-211-6546-0

Ricoh Electronic Devices Korea Co., Ltd.

3F, Haesung Bldg, 504, Teheran-ro, Gangnam-gu, Seoul, 135-725, Korea
Phone: +82-2-2135-5700 Fax: +82-2-2051-5713

Ricoh Electronic Devices Shanghai Co., Ltd.

Room 403, No.2 Building, No.690 Bibo Road, Pu Dong New District, Shanghai 201203,
People's Republic of China
Phone: +86-21-5027-3200 Fax: +86-21-5027-3299

Ricoh Electronic Devices Shanghai Co., Ltd.

Shenzhen Branch

1205, Block D (Jinlong Building), Kingkey 100, Hongbao Road, Luohu District,
Shenzhen, China
Phone: +86-755-8348-7600 Ext 225

Ricoh Electronic Devices Co., Ltd.

Taipei office

Room 109, 10F-1, No.51, Hengyang Rd., Taipei City, Taiwan (R.O.C.)
Phone: +886-2-2313-1621/1622 Fax: +886-2-2313-1623

Mouser Electronics

Authorized Distributor

Click to View Pricing, Inventory, Delivery & Lifecycle Information:

[Ricoch Electronics:](#)

[R1516S033B-E2-FE](#) [R1516H033B-T1-FE](#) [R1516H050B-T1-FE](#) [R1516S034B-E2-FE](#) [R1516S050B-E2-FE](#)

Компания «Океан Электроники» предлагает заключение долгосрочных отношений при поставках импортных электронных компонентов на взаимовыгодных условиях!

Наши преимущества:

- Поставка оригинальных импортных электронных компонентов напрямую с производств Америки, Европы и Азии, а так же с крупнейших складов мира;
- Широкая линейка поставок активных и пассивных импортных электронных компонентов (более 30 млн. наименований);
- Поставка сложных, дефицитных, либо снятых с производства позиций;
- Оперативные сроки поставки под заказ (от 5 рабочих дней);
- Экспресс доставка в любую точку России;
- Помощь Конструкторского Отдела и консультации квалифицированных инженеров;
- Техническая поддержка проекта, помощь в подборе аналогов, поставка прототипов;
- Поставка электронных компонентов под контролем ВП;
- Система менеджмента качества сертифицирована по Международному стандарту ISO 9001;
- При необходимости вся продукция военного и аэрокосмического назначения проходит испытания и сертификацию в лаборатории (по согласованию с заказчиком);
- Поставка специализированных компонентов военного и аэрокосмического уровня качества (Xilinx, Altera, Analog Devices, Intersil, Interpoint, Microsemi, Actel, Aeroflex, Peregrine, VPT, Syfer, Eurofarad, Texas Instruments, MS Kennedy, Miteq, Cobham, E2V, MA-COM, Hittite, Mini-Circuits, General Dynamics и др.);

Компания «Океан Электроники» является официальным дистрибьютором и эксклюзивным представителем в России одного из крупнейших производителей разъемов военного и аэрокосмического назначения «JONHON», а так же официальным дистрибьютором и эксклюзивным представителем в России производителя высокотехнологичных и надежных решений для передачи СВЧ сигналов «FORSTAR».



JONHON

«JONHON» (основан в 1970 г.)

Разъемы специального, военного и аэрокосмического назначения:

(Применяются в военной, авиационной, аэрокосмической, морской, железнодорожной, горно- и нефтедобывающей отраслях промышленности)

«FORSTAR» (основан в 1998 г.)

ВЧ соединители, коаксиальные кабели,
кабельные сборки и микроволновые компоненты:

(Применяются в телекоммуникациях гражданского и специального назначения, в средствах связи, РЛС, а так же военной, авиационной и аэрокосмической отраслях промышленности).



Телефон: 8 (812) 309-75-97 (многоканальный)

Факс: 8 (812) 320-03-32

Электронная почта: ocean@oceanchips.ru

Web: <http://oceanchips.ru/>

Адрес: 198099, г. Санкт-Петербург, ул. Калинина, д. 2, корп. 4, лит. А