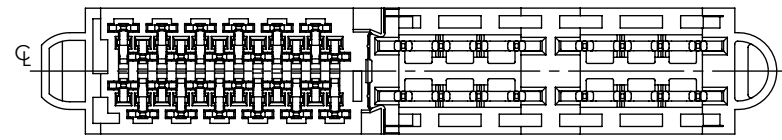
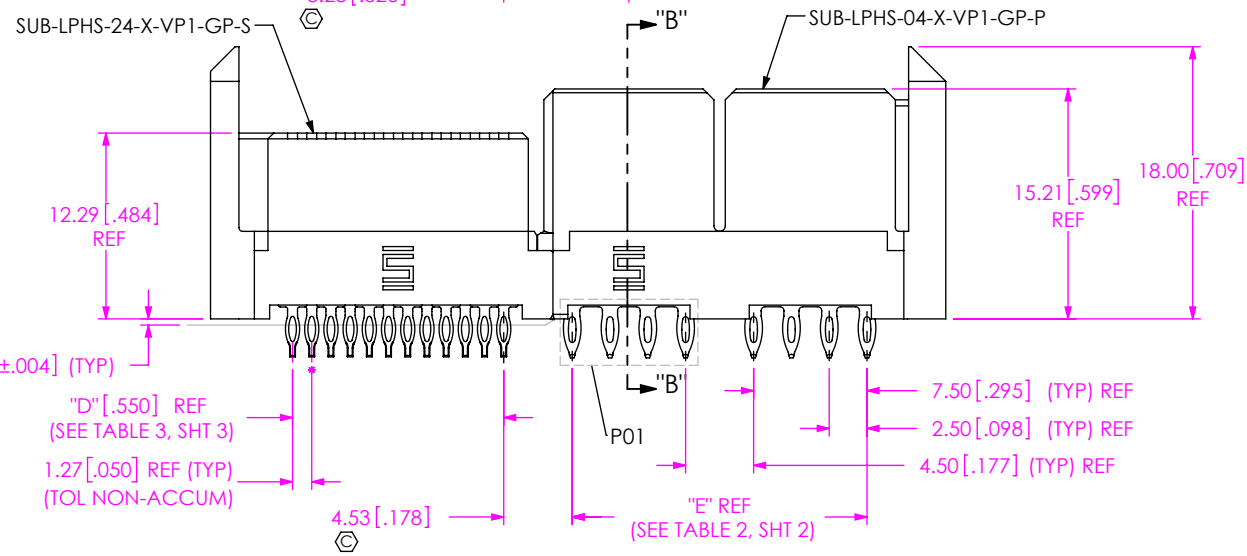
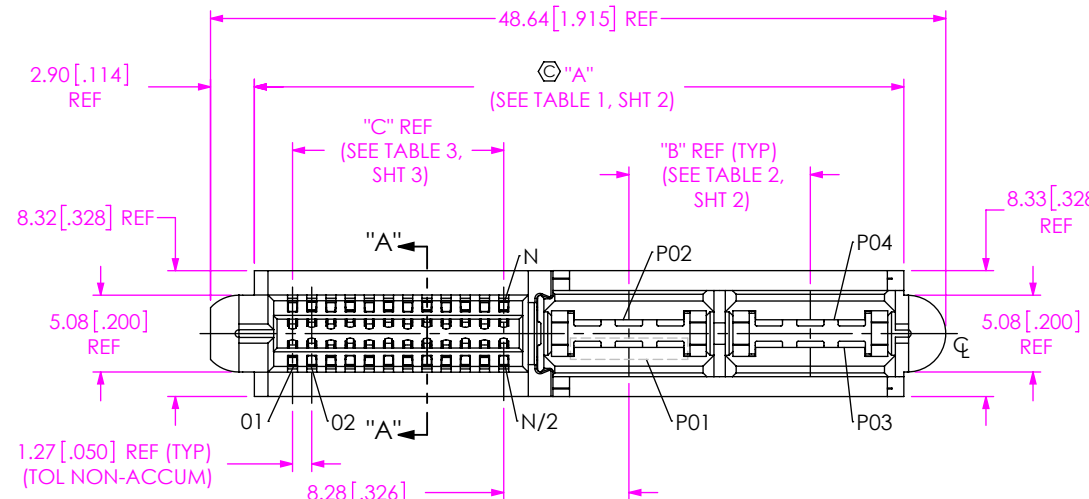


DO NOT SCALE FROM THIS PRINT



**POWER POS (TOTAL)**  
 -00, -02, -04, -06, -08, -10, \*-12, \*-14

**SIGNAL POS (TOTAL)**  
 -00, \*-12, -16, -20, -24, -28, -32, \*-36, \*-40

(\* = NOT TOOLED)

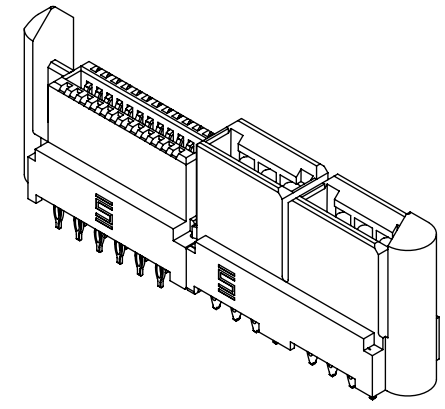
**OPTION**  
 -GP: GUIDE POST  
 -BLANK: NO GP OPTION

**TAIL**  
 -VP1: PRESS FIT  
 \*-VT1: FOR .062" BOARD  
 \*-VT2: FOR .093" BOARD

**PLATING SPECIFICATION**  
 -L: 10μ" GOLD IN CONTACT AREA, MATTE TIN TAIL  
 -S: 30μ" GOLD IN CONTACT AREA, MATTE TIN TAIL (SEE NOTE 6)

=(00 POWER POS & -00 SIGNAL POS NOT AVAILABLE ON -GP OPTION)

DESIGNED & DIMENSIONED IN MILLIMETERS(INCHES)



**TABLE 5**

POWER POS	BOW
-02, -04	0.15[.006]
-06, -08, -10, *-12, *-14	0.20[.008]

(\* = NOT TOOLED)

FIG 1  
 LPHS-04-24-X-VP1-GP SHOWN

NOTES:

- ⊗ REPRESENTS A CRITICAL DIMENSION.
- MINIMUM PUSHOUT FORCE: 0.5 LBS OF SIGNAL & 3.0 LBS OF POWER PINS.
- MAXIMUM ALLOWABLE BOW SEE TABLE 5.
- ASSEMBLIES TO BE PACKAGED IN TRAYS.
- APPLICATION TOOLING REQUIRED FOR TERMINATIONS, SEE TABLE 6.
- SELECTIVE PLATING LUBRICATED WITH ACCL-53T WHICH CAN BE DETECTED USING A UVA ULTRAVIOLET LIGHT SOURCE.

UNLESS OTHERWISE SPECIFIED, DIMENSIONS ARE IN MILLIMETERS.

TOLERANCES ARE:

DECIMALS	ANGLES
X.X: ±0.3[.01]	2°
X.XX: ±0.13[.005]	
X.XXX: ±0.051[.0020]	

**PROPRIETARY NOTE**

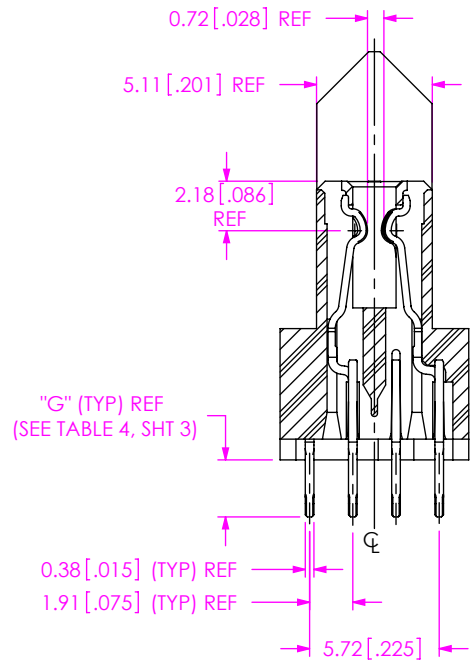
THIS DOCUMENT CONTAINS CONFIDENTIAL AND PROPRIETARY INFORMATION AND ALL DESIGN, MANUFACTURING, REPRODUCTION, USE, PATENT RIGHTS AND SALES RIGHTS ARE EXPRESSLY RESERVED BY SAMTEC, INC. THIS DOCUMENT SHALL NOT BE DISCLOSED, IN WHOLE OR PART, TO ANY UNAUTHORIZED PERSON OR ENTITY NOR REPRODUCED, TRANSFERRED OR INCORPORATED IN ANY OTHER PRODUCT IN ANY MANNER WITHOUT THE EXPRESS WRITTEN CONSENT OF SAMTEC, INC.

MATERIAL: DO NOT SCALE DRAWING SHEET SCALE: 2:1

INSULATOR: LCP ULV-0, COLOR: BLACK  
 TERMINAL: COPPER ALLOY



DESCRIPTION:	LPHS-VT ASSEMBLY	
DWG. NO.	LPHS-XX-XX-X-VXX-XX	
BY:	VICKY Z	12/10/2011 SHEET 1 OF 4



SECTION "A"-"A"

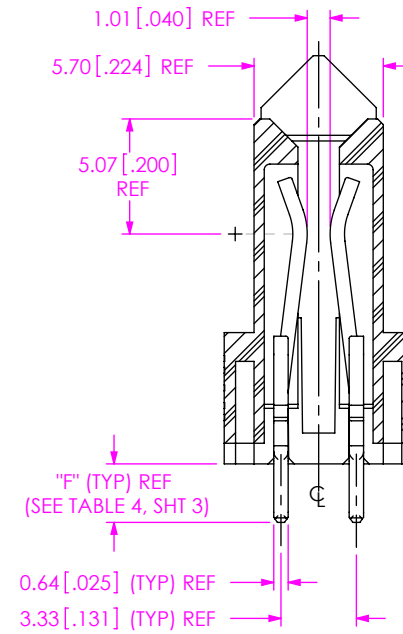


TABLE 1

SIGNAL POS	POWER POSITION						
	-02	-04	-06	-08	-10	*-12	*-14
	"A"	"A"	"A"	"A"	"A"	"A"	"A"
*-12	23.34 [0.919]	35.34 [1.391]	47.34 [1.864]	59.34 [2.336]	71.34 [2.809]	83.34 [3.281]	95.34 [3.754]
-16	25.88 [1.019]	37.88 [1.491]	49.88 [1.964]	61.88 [2.436]	73.88 [2.909]	85.88 [3.381]	97.88 [3.854]
-20	28.42 [1.119]	40.42 [1.591]	52.42 [2.064]	64.42 [2.536]	76.42 [3.009]	88.42 [3.481]	100.42 [3.954]
-24	30.96 [1.219]	42.96 [1.691]	54.96 [2.164]	66.96 [2.636]	78.96 [3.109]	90.96 [3.581]	102.96 [4.054]
-28	33.50 [1.319]	45.50 [1.791]	57.50 [2.264]	69.50 [2.736]	81.50 [3.209]	93.50 [3.681]	105.50 [4.154]
-32	36.04 [1.419]	48.04 [1.891]	60.04 [2.364]	72.04 [2.836]	84.04 [3.309]	96.04 [3.781]	108.04 [4.254]
*-36	38.58 [1.519]	50.58 [1.991]	62.58 [2.464]	74.58 [2.936]	86.58 [3.409]	98.58 [3.881]	110.58 [4.354]
*-40	41.12 [1.619]	53.12 [2.091]	65.12 [2.564]	77.12 [3.036]	89.12 [3.509]	101.12 [3.981]	113.12 [4.454]

(\* = NOT TOOLED)

TABLE 2

POWER POS	"B"	"E"
-00	N/A	N/A
-02	N/A	N/A
-04	12.00 [0.472]	19.50 [0.768]
-06	24.00 [0.945]	31.50 [1.240]
-08	36.00 [1.417]	43.50 [1.713]
-10	48.00 [1.890]	55.50 [2.185]
*-12	60.00 [2.362]	67.50 [2.657]
*-14	72.00 [2.835]	79.50 [3.130]

(\* = NOT TOOLED)

c:\enterprisevault\DWG\MISC\MKTG\LPHS-XX-XX-X-VXX-XX-MKT.SLDDRW

PROPRIETARY NOTE

THIS DOCUMENT CONTAINS CONFIDENTIAL AND PROPRIETARY INFORMATION AND ALL DESIGN, MANUFACTURING, REPRODUCTION, USE, PATENT RIGHTS AND SALES RIGHTS ARE EXPRESSLY RESERVED BY SAMTEC, INC. THIS DOCUMENT SHALL NOT BE DISCLOSED, IN WHOLE OR PART, TO ANY UNAUTHORIZED PERSON OR ENTITY NOR REPRODUCED, TRANSFERRED OR INCORPORATED IN ANY OTHER PROJECT IN ANY MANNER WITHOUT THE EXPRESS WRITTEN CONSENT OF SAMTEC, INC.

DO NOT SCALE DRAWING

SHEET SCALE: 3:1



520 PARK EAST BLVD, NEW ALBANY, IN 47150  
 PHONE: 812-944-6733 FAX: 812-948-5047  
 e-Mail info@SAMTEC.com code 55322

DESCRIPTION: LPHS-VT ASSEMBLY

DWG. NO. LPHS-XX-XX-X-VXX-XX

BY: VICKY Z 12/10/2011 SHEET 2 OF 4

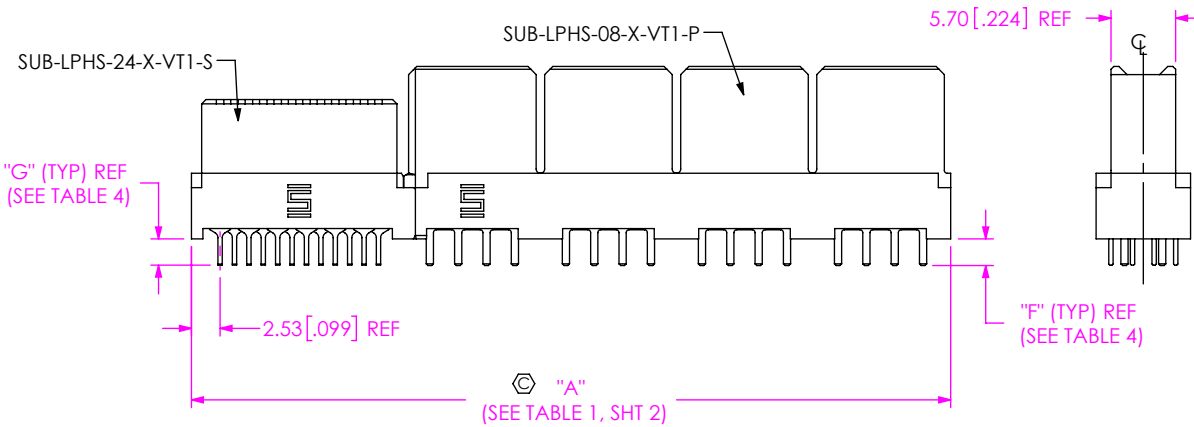
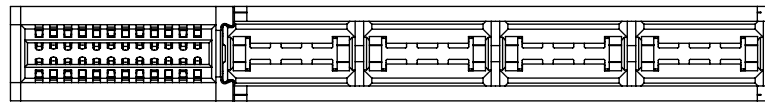


FIG 2  
LPHS-08-24-X-VT1 SHOWN  
(DIFFERENT AS SHOWN, OTHERWISE SAME AS FIG 1)  
(NOT TOOLED)

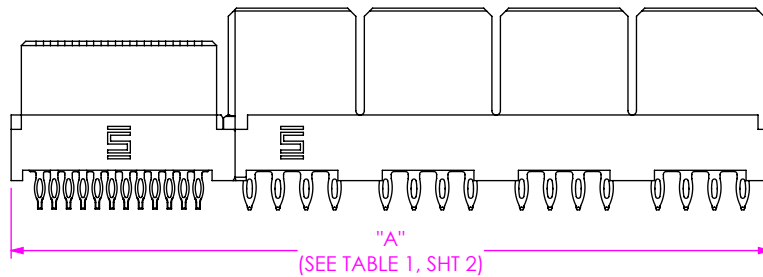


FIG 5  
LPHS-08-24-X-VP1 SHOWN  
(DIFFERENT AS SHOWN, OTHERWISE SAME AS FIG 1)

TABLE 4				
TAIL	POWER		SIGNAL	
	CONTACT	"F"	CONTACT	"G"
-VP1	C-367-01-X	2.58[.102]	C-379-01-X & C-380-01-X	2.51[.099]
*-VT1	C-367-02-X	2.35[.093]	C-379-02-X & C-380-02-X	2.31[.091]
*-VT2	C-367-03-X	3.13[.124]	C-379-03-X & C-380-03-X	3.06[.120]

(\* = NOT TOOLED)

TABLE 6					
POWER POS	SIGNAL POS	CAT FIXTURE NO	POWER POS	SIGNAL POS	CAT FIXTURE NO
-02	*-12	CAT-PT-LPHS-02-12	-10	*-12	CAT-PT-LPHS-10-12
	-16	CAT-PT-LPHS-02-16		-16	CAT-PT-LPHS-10-16
	-20	CAT-PT-LPHS-02-20		-20	CAT-PT-LPHS-10-20
	-24	CAT-PT-LPHS-02-24		-24	CAT-PT-LPHS-10-24
	-28	CAT-PT-LPHS-02-28		-28	CAT-PT-LPHS-10-28
	-32	CAT-PT-LPHS-02-32		-32	CAT-PT-LPHS-10-32
-04	*-36	CAT-PT-LPHS-02-36	*-12	*-36	CAT-PT-LPHS-10-36
	*-40	CAT-PT-LPHS-02-40		*-40	CAT-PT-LPHS-10-40
	*-12	CAT-PT-LPHS-04-12		*-12	CAT-PT-LPHS-04-12
	-16	CAT-PT-LPHS-04-16		-16	CAT-PT-LPHS-04-16
	-20	CAT-PT-LPHS-04-20		-20	CAT-PT-LPHS-04-20
	-24	CAT-PT-LPHS-04-24		-24	CAT-PT-LPHS-04-24
-06	-28	CAT-PT-LPHS-04-28	*-14	-28	CAT-PT-LPHS-04-28
	-32	CAT-PT-LPHS-04-32		-32	CAT-PT-LPHS-04-32
	*-36	CAT-PT-LPHS-04-36		*-36	CAT-PT-LPHS-04-36
	*-40	CAT-PT-LPHS-04-40		*-40	CAT-PT-LPHS-04-40
	*-12	CAT-PT-LPHS-06-12		*-12	CAT-PT-LPHS-14-12
	-16	CAT-PT-LPHS-06-16		-16	CAT-PT-LPHS-14-16
-08	-20	CAT-PT-LPHS-06-20	*-14	-20	CAT-PT-LPHS-14-20
	-24	CAT-PT-LPHS-06-24		-24	CAT-PT-LPHS-14-24
	-28	CAT-PT-LPHS-06-28		-28	CAT-PT-LPHS-14-28
	-32	CAT-PT-LPHS-06-32		-32	CAT-PT-LPHS-14-32
	*-36	CAT-PT-LPHS-06-36		*-36	CAT-PT-LPHS-14-36
	*-40	CAT-PT-LPHS-06-40		*-40	CAT-PT-LPHS-14-40
-10	*-12	CAT-PT-LPHS-08-12	*-12	*-12	CAT-PT-LPHS-08-12
	-16	CAT-PT-LPHS-08-16		-16	CAT-PT-LPHS-08-16
	-20	CAT-PT-LPHS-08-20		-20	CAT-PT-LPHS-08-20
	-24	CAT-PT-LPHS-08-24		-24	CAT-PT-LPHS-08-24
	-28	CAT-PT-LPHS-08-28		-28	CAT-PT-LPHS-08-28
	-32	CAT-PT-LPHS-08-32		-32	CAT-PT-LPHS-08-32
-12	*-36	CAT-PT-LPHS-08-36	*-12	*-36	CAT-PT-LPHS-08-36
	*-40	CAT-PT-LPHS-08-40		*-40	CAT-PT-LPHS-08-40

(\* = NOT TOOLED)

TABLE 3		
SIGNAL POS	"C"	"D"
-00	N/A	N/A
*-12	6.35 [0.250]	6.35 [0.250]
-16	8.89 [0.350]	8.89 [0.350]
-20	11.43 [0.450]	11.43 [0.450]
-24	13.97 [0.550]	13.97 [0.550]
-28	16.51 [0.650]	16.51 [0.650]
-32	19.05 [0.750]	19.05 [0.750]
*-36	21.59 [0.850]	21.59 [0.850]
*-40	24.13 [0.950]	24.13 [0.950]

(\* = NOT TOOLED)

**PROPRIETARY NOTE**  
THIS DOCUMENT CONTAINS CONFIDENTIAL AND PROPRIETARY INFORMATION AND ALL DESIGN, MANUFACTURING, REPRODUCTION, USE, PATENT RIGHTS AND SALES RIGHTS ARE EXPRESSLY RESERVED BY SAMTEC, INC. THIS DOCUMENT SHALL NOT BE DISCLOSED, IN WHOLE OR IN PART, TO ANY UNAUTHORIZED PERSON OR ENTITY NOR REPRODUCED, TRANSFERRED OR INCORPORATED IN ANY OTHER PROJECT IN ANY MANNER WITHOUT THE EXPRESS WRITTEN CONSENT OF SAMTEC, INC.

DO NOT SCALE DRAWING

SHEET SCALE: 3:2



520 PARK EAST BLVD, NEW ALBANY, IN 47150  
PHONE: 812-944-6733 FAX: 812-948-5047  
e-Mail info@SAMTEC.com code 55322

DESCRIPTION: LPHS-VT ASSEMBLY

DWG. NO. LPHS-XX-XX-X-VXX-XX

BY: VICKY Z 12/10/2011 SHEET 3 OF 4

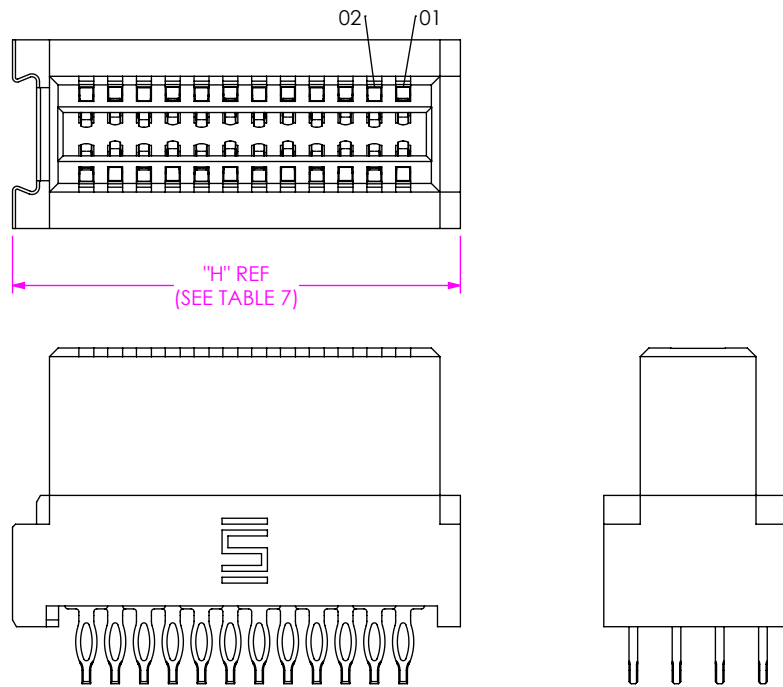


FIG 3  
LPHS-00-24-X-VP1 SHOWN  
(DIFFERENT AS SHOWN, OTHERWISE SAME AS FIG 1)

SIGNAL POS	POWER POSITION	
	-00	"H"
*-12	12.13	[0.478]
-16	14.67	[0.578]
-20	17.21	[0.678]
-24	19.75	[0.778]
-28	22.29	[0.878]
-32	24.83	[0.978]
*-36	27.37	[1.078]
*-40	29.91	[1.178]

(\* = NOT TOOLED)

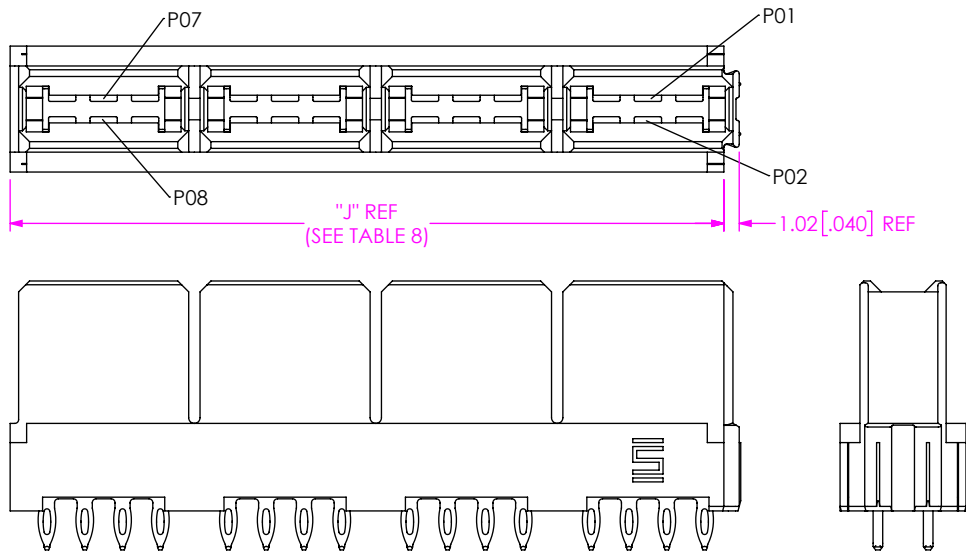


FIG 4  
LPHS-08-00-X-VP1 SHOWN  
(DIFFERENT AS SHOWN, OTHERWISE SAME AS FIG 1)

POWER POS	SIGNAL POSITION	
	-00	"J"
-02	11.21	[0.441]
-04	23.21	[0.914]
-06	35.21	[1.386]
-08	47.21	[1.859]
-10	59.21	[2.331]
*-12	71.21	[2.804]
*-14	83.21	[3.276]

(\* = NOT TOOLED)

\* PROPRIETARY NOTE \*  
THIS DOCUMENT CONTAINS CONFIDENTIAL AND PROPRIETARY INFORMATION AND ALL DESIGN, MANUFACTURING, REPRODUCTION, USE, PATENT RIGHTS AND SALES RIGHTS ARE EXPRESSLY RESERVED BY SAMTEC, INC. THIS DOCUMENT SHALL NOT BE DISCLOSED, IN WHOLE OR PART, TO ANY UNAUTHORIZED PERSON OR ENTITY NOR REPRODUCED, TRANSFERRED OR INCORPORATED IN ANY OTHER PROJECT IN ANY MANNER WITHOUT THE EXPRESS WRITTEN CONSENT OF SAMTEC, INC.

DO NOT SCALE DRAWING

SHEET SCALE: 3:1



520 PARK EAST BLVD, NEW ALBANY, IN 47150  
PHONE: 812-944-6733 FAX: 812-948-5047  
e-Mail info@SAMTEC.com code 55322

DESCRIPTION: LPHS-VT ASSEMBLY

DWG. NO. LPHS-XX-XX-X-VXX-XX

BY: VICKY Z 12/10/2011 SHEET 4 OF 4

Компания «Океан Электроники» предлагает заключение долгосрочных отношений при поставках импортных электронных компонентов на взаимовыгодных условиях!

Наши преимущества:

- Поставка оригинальных импортных электронных компонентов напрямую с производств Америки, Европы и Азии, а так же с крупнейших складов мира;
- Широкая линейка поставок активных и пассивных импортных электронных компонентов (более 30 млн. наименований);
- Поставка сложных, дефицитных, либо снятых с производства позиций;
- Оперативные сроки поставки под заказ (от 5 рабочих дней);
- Экспресс доставка в любую точку России;
- Помощь Конструкторского Отдела и консультации квалифицированных инженеров;
- Техническая поддержка проекта, помощь в подборе аналогов, поставка прототипов;
- Поставка электронных компонентов под контролем ВП;
- Система менеджмента качества сертифицирована по Международному стандарту ISO 9001;
- При необходимости вся продукция военного и аэрокосмического назначения проходит испытания и сертификацию в лаборатории (по согласованию с заказчиком);
- Поставка специализированных компонентов военного и аэрокосмического уровня качества (Xilinx, Altera, Analog Devices, Intersil, Interpoint, Microsemi, Actel, Aeroflex, Peregrine, VPT, Syfer, Eurofarad, Texas Instruments, MS Kennedy, Miteq, Cobham, E2V, MA-COM, Hittite, Mini-Circuits, General Dynamics и др.);

Компания «Океан Электроники» является официальным дистрибьютором и эксклюзивным представителем в России одного из крупнейших производителей разъемов военного и аэрокосмического назначения «JONHON», а так же официальным дистрибьютором и эксклюзивным представителем в России производителя высокотехнологичных и надежных решений для передачи СВЧ сигналов «FORSTAR».



## JONHON

«JONHON» (основан в 1970 г.)

Разъемы специального, военного и аэрокосмического назначения:

(Применяются в военной, авиационной, аэрокосмической, морской, железнодорожной, горно- и нефтедобывающей отраслях промышленности)

«FORSTAR» (основан в 1998 г.)

ВЧ соединители, коаксиальные кабели, кабельные сборки и микроволновые компоненты:

(Применяются в телекоммуникациях гражданского и специального назначения, в средствах связи, РЛС, а так же военной, авиационной и аэрокосмической отраслях промышленности).



Телефон: 8 (812) 309-75-97 (многоканальный)

Факс: 8 (812) 320-03-32

Электронная почта: [ocean@oceanchips.ru](mailto:ocean@oceanchips.ru)

Web: <http://oceanchips.ru/>

Адрес: 198099, г. Санкт-Петербург, ул. Калинина, д. 2, корп. 4, лит. А