

A01 series

Keylock & selector switches

Distinctive features and specifications

A018_AX1607US



- ❑ Panel Sealed to IP65
- ❑ Single pole to four pole changeover
- ❑ Custom engraving & overmould key
- ❑ Push on tab terminals
- ❑ 6A 250VAC

ELECTRICAL SPECIFICATIONS

- **Current/Voltage Rating** : 10mA 5VAC min, 6A 250VAC, 6A 12VDC
- **Initial Contact Resistance** : 10mΩ max at 1Amp 4VDC
- **Insulation Resistance** : 50MΩ min
- **Dielectric Strength** : 750V between open contacts, 5KV live to accessible
- **Electrical Life** : 50,000 cycles min
- **Contact Gap** : >1mm (0.039)
- **Insulation** : Class 2

MECHANICAL SPECIFICATIONS

- **Mechanical Life (operator)** : Momentary, 1 million cycles, maintained 100,000 cycles
- **Lamp** : Midget grove T1 ¾ filament, neon or LED
- **Terminals** : Solder/quick connect 2.8mm (0.110)

GENERAL SPECIFICATIONS

- **Operating Temperature** : -20°C to +55°C
- **Solder Heat Resistance** : 350°C for 5 seconds
- **Sealing** : Panel sealed to IP65, rear of panel IP40

AGENCY APPROVALS

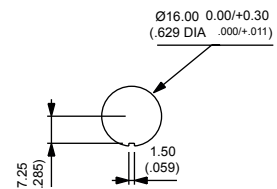


MATERIALS

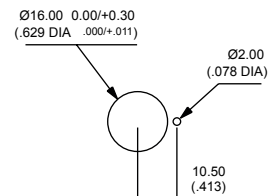
- **Key** : Nickel plated steel
- **Key Barrel** : Chrome plated alloy
- **Operator** : PBT
- **Nut** : ABS
- **Camtrack Momentary** : PPE
- **Camtrack Maintained** : PPSU
- **Switch Block 1 & 2 pole** : PBT
- **Switch Block 3 & 4 pole** : PEI
- **Contacts** : Gold plated silver

PANEL CUT OUT

Round & Square bezel operators only



Rectangular bezel operators only



Max panel thickness 8mm (0.314)



Dimensions : first dimensions are in mm while inches are shown in brackets. Refer to the following pages for further information.



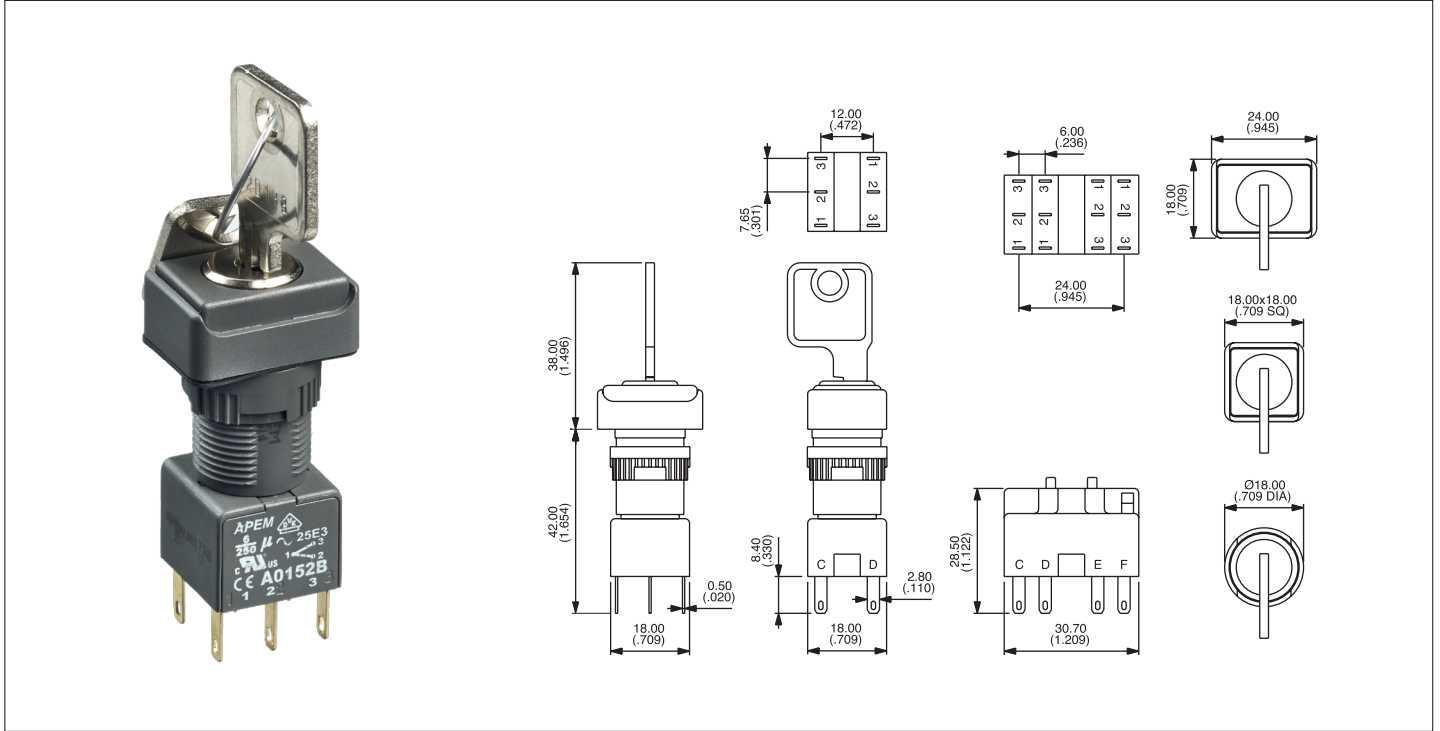
Mounting accessories : standard hardware 1 nut and 1 sealing washer.

A01 series

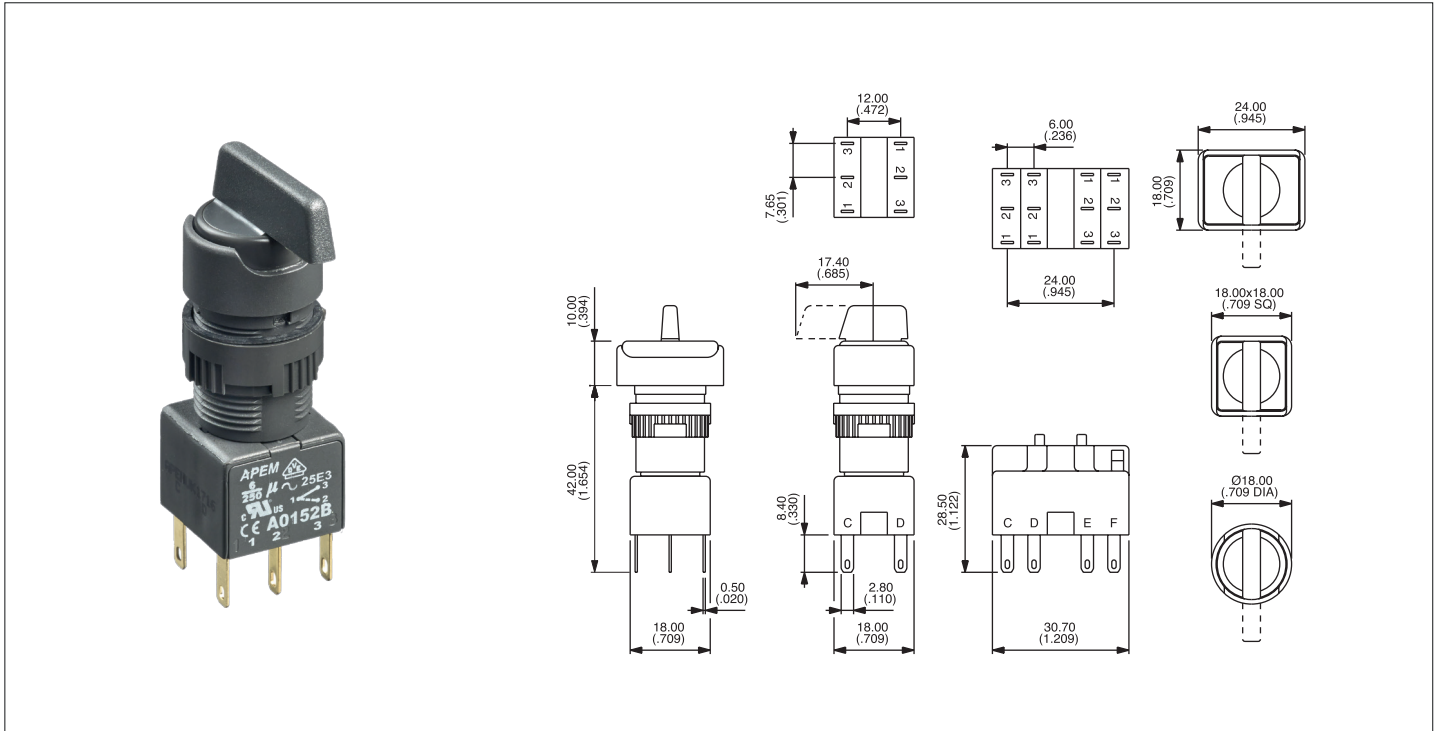
Keylock & selector switches

Panel cut-out $\varnothing 16$ (0.755)

Keylock



Selector



A01 series Keylock & selector switches

Overview

Keylock

| Operator | | | | + | | Switch block | | Key position |
|----------|-------|--------------------|----------|---------------|-------------|--------------|--|--------------|
| Pole | Bezel | Description | Part No. | Key removable | No of poles | Part No | | |
| 1 or 2 | | 2 pos. maintained | A018101 | A-C | Single pole | A0151B | | |
| 1 or 2 | | 2 pos. momentary | A018102 | A | Double pole | A0152B | | |
| 3 or 4 | | 2 pos. maintained | A018103 | A-C | Three pole | A0155B | | |
| 3 or 4 | | 2 pos. momentary | A018104 | A | Four pole | A0153B | | |
| 1 or 2 | | 3 pos. maintained | A018105 | A-B-C | | | | |
| 1 or 2 | | 3 pos. momentary | A018106 | A | | | | |
| 1 or 2 | | 3 pos. mainL, momR | A018107 | A-B | | | | |
| 1 or 2 | | 3 pos. momL, mainR | A018108 | A-C | | | | |
| 1 or 2 | | 2 pos. maintained | A018201 | A-C | | | | |
| 1 or 2 | | 2 pos. momentary | A018202 | A | | | | |
| 3 or 4 | | 2 pos. maintained | A018203 | A-C | | | | |
| 3 or 4 | | 2 pos. momentary | A018204 | A | | | | |
| 1 or 2 | | 3 pos. maintained | A018205 | A-B-C | | | | |
| 1 or 2 | | 3 pos. momentary | A018206 | A | | | | |
| 1 or 2 | | 3 pos. mainL, momR | A018207 | A-B | | | | |
| 1 or 2 | | 3 pos. momL, mainR | A018208 | A-C | | | | |
| 1 or 2 | | 2 pos. maintained | A018301 | A-C | | | | |
| 1 or 2 | | 2 pos. momentary | A018302 | A | | | | |
| 3 or 4 | | 2 pos. maintained | A018303 | A-C | | | | |
| 3 or 4 | | 2 pos. momentary | A018304 | A | | | | |
| 1 or 2 | | 3 pos. maintained | A018305 | A-B-C | | | | |
| 1 or 2 | | 3 pos. momentary | A018306 | A | | | | |
| 1 or 2 | | 3 pos. mainL, momR | A018307 | A-B | | | | |
| 1 or 2 | | 3 pos. momL, mainR | A018308 | A-C | | | | |

| | | | | | | | | | |
|--------|--|-------------|--|--------|--|--------|-------------------|---------------------------|-------------------------------|
| Bezel: | | rectangular | | square | | round. | 'pos' - position, | 'mainL' - maintained left | 'momR' - momentary right, etc |
|--------|--|-------------|--|--------|--|--------|-------------------|---------------------------|-------------------------------|

- Non-removable key positions: contact APEM components
- 2 standard keys are supplied
- 20 key barrel types available from stock
- For on-on-on function contact APEM components
- Note: 3/4 pole switch block for use only with 2 position key switches

Key Rotation – 2 position switches

The model numbers shown are for switches with anticlockwise key rotation.

For clockwise rotation, replace:

| | | |
|----|------|----|
| 01 | with | 25 |
| 02 | with | 24 |
| 03 | with | 27 |
| 04 | with | 28 |

at the end of the model number

Selector

| Operator | | | | + | | Switch block | | Lever position |
|----------|-------|--------------------|-------------|------------|-------------|--------------|--|----------------|
| Pole | Bezel | Description | Short lever | Long lever | No of poles | Part No | | |
| 1 or 2 | | 2 pos. maintained | A019201 | A019101 | Single pole | A0151B | | |
| 1 or 2 | | 2 pos. momentary | A019202 | A019102 | Double pole | A0152B | | |
| 3 or 4 | | 2 pos. maintained | A019203 | A019103 | Three pole | A0155B | | |
| 3 or 4 | | 2 pos. momentary | A019204 | A019104 | Four pole | A0153B | | |
| 1 or 2 | | 3 pos. maintained | A019205 | A019105 | | | | |
| 1 or 2 | | 3 pos. momentary | A019206 | A019106 | | | | |
| 1 or 2 | | 3 pos. mainL, momR | A019207 | A019107 | | | | |
| 1 or 2 | | 3 pos. momL, mainR | A019208 | A019108 | | | | |
| 1 or 2 | | 2 pos. maintained | A019401 | A019301 | | | | |
| 1 or 2 | | 2 pos. momentary | A019402 | A019302 | | | | |
| 3 or 4 | | 2 pos. maintained | A019403 | A019303 | | | | |
| 3 or 4 | | 2 pos. momentary | A019404 | A019304 | | | | |
| 1 or 2 | | 3 pos. maintained | A019405 | A019305 | | | | |
| 1 or 2 | | 3 pos. momentary | A019406 | A019306 | | | | |
| 1 or 2 | | 3 pos. mainL, momR | A019407 | A019307 | | | | |
| 1 or 2 | | 3 pos. momL, mainR | A019408 | A019308 | | | | |
| 1 or 2 | | 2 pos. maintained | A019601 | A019501 | | | | |
| 1 or 2 | | 2 pos. momentary | A019602 | A019502 | | | | |
| 3 or 4 | | 2 pos. maintained | A019603 | A019503 | | | | |
| 3 or 4 | | 2 pos. momentary | A019604 | A019504 | | | | |
| 1 or 2 | | 3 pos. maintained | A019605 | A019505 | | | | |
| 1 or 2 | | 3 pos. momentary | A019606 | A019506 | | | | |
| 1 or 2 | | 3 pos. mainL, momR | A019607 | A019507 | | | | |
| 1 or 2 | | 3 pos. momL, mainR | A019608 | A019508 | | | | |

| | | | | | | | | | |
|--------|--|-------------|--|--------|--|--------|-------------------|---------------------------|-------------------------------|
| Bezel: | | rectangular | | square | | round. | 'pos' - position, | 'mainL' - maintained left | 'momR' - momentary right, etc |
|--------|--|-------------|--|--------|--|--------|-------------------|---------------------------|-------------------------------|

- Note: 3/4 pole switch block for use only with 2 position rotary lever

Lever Rotation – 2 position switches

The model numbers shown are for switches with anticlockwise lever rotation.

For clockwise rotation, replace:

| | | |
|----|------|----|
| 01 | with | 09 |
| 02 | with | 10 |
| 03 | with | 11 |
| 04 | with | 12 |

at the end of the model number

Optional engraving on lever end add "WL" to the end of the part number.



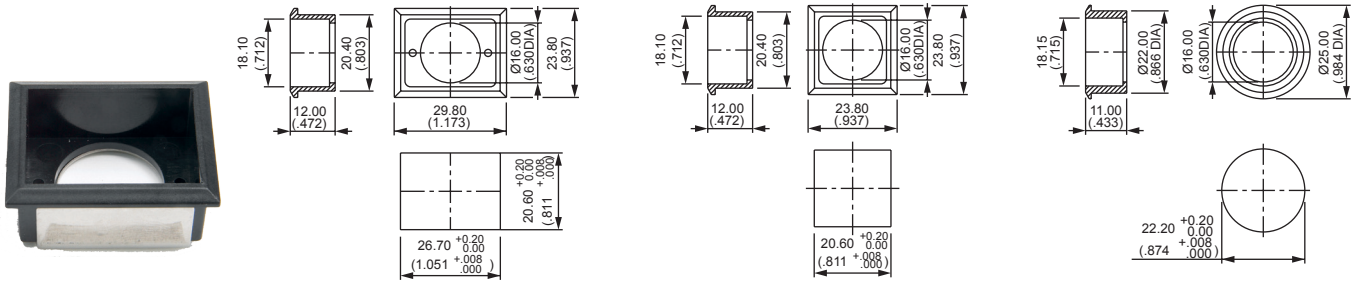
Unsealed switches & indicators (IP40) suffix 01 to the end of the part number.
Screen engraving insertable legends, & bi-color LED's please contact APEM

A01 series Keylock & selector switches

Accessories

Flush mount bezels

Dark grey plastic material – supplied with sealing washer

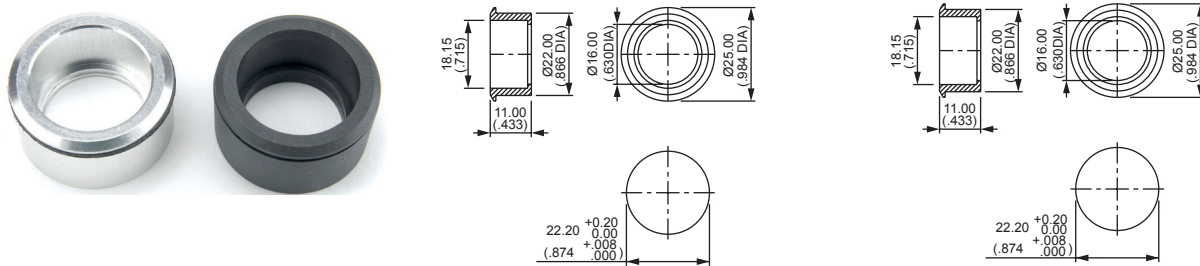


Rectangular : A01FM1

Square : A01FM

Round : A01FM2

Anodised aluminium/matt black



Round natural anodised : A01FMM

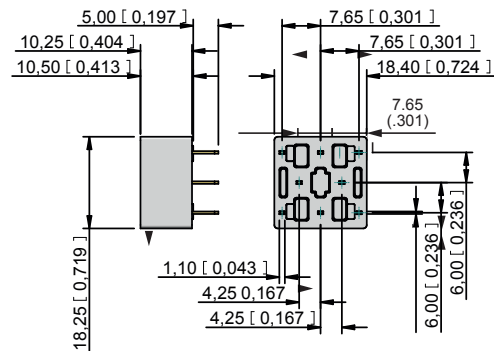
Round matt black : A01FMMG

PCB Sockets

Number of Poles

Part No.

| | |
|--------------------------------|--------|
| Single pole, non illuminated : | A01PC1 |
| Double pole, non illuminated : | A01PC2 |
| Single pole, illuminated : | A01PC3 |
| Double pole, illuminated : | A01PC4 |
| Indicator : | A01PC5 |



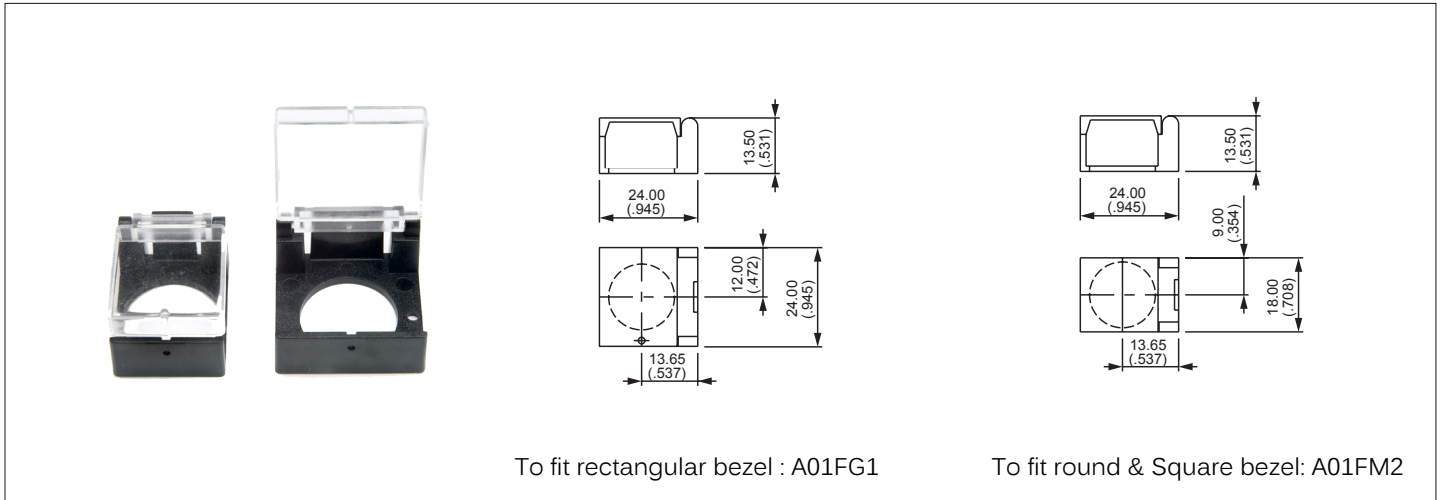
Dimensions : first dimensions are in mm while inches are shown in brackets.
Refer to the following pages for further information.

A01 series

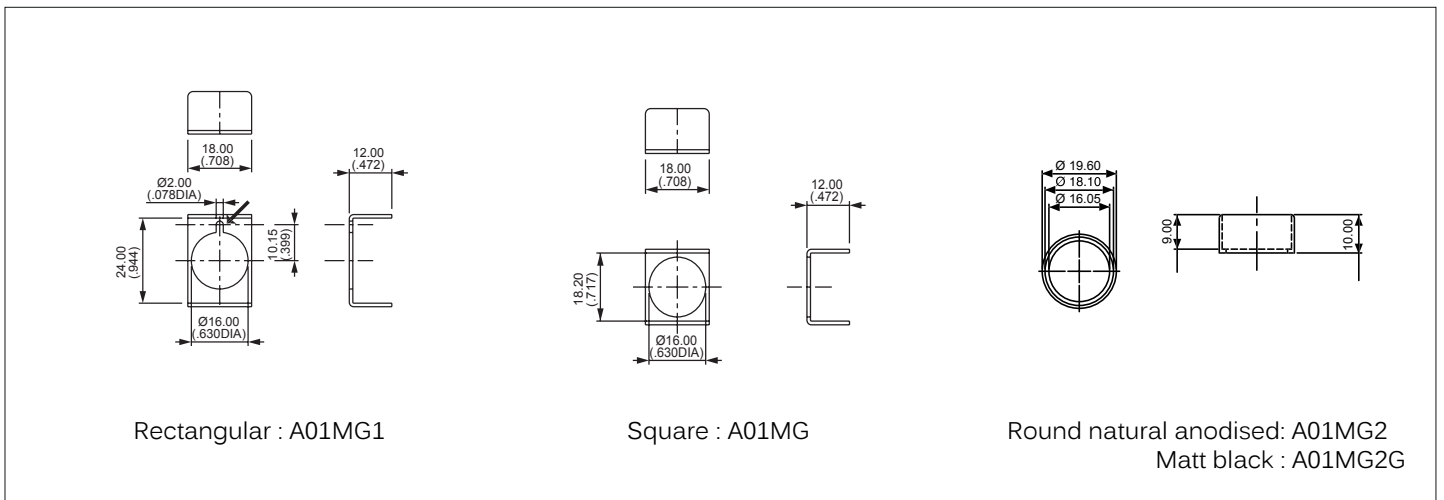
Keylock & selector switches

Accessories

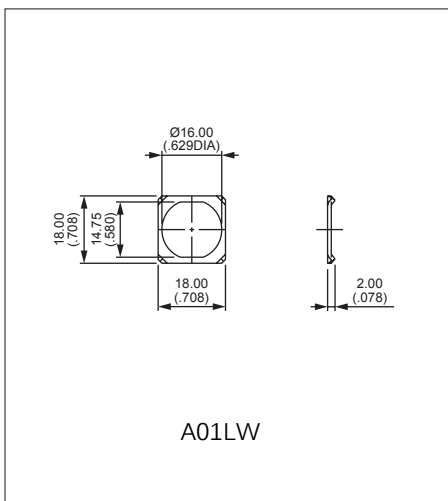
Flap guards



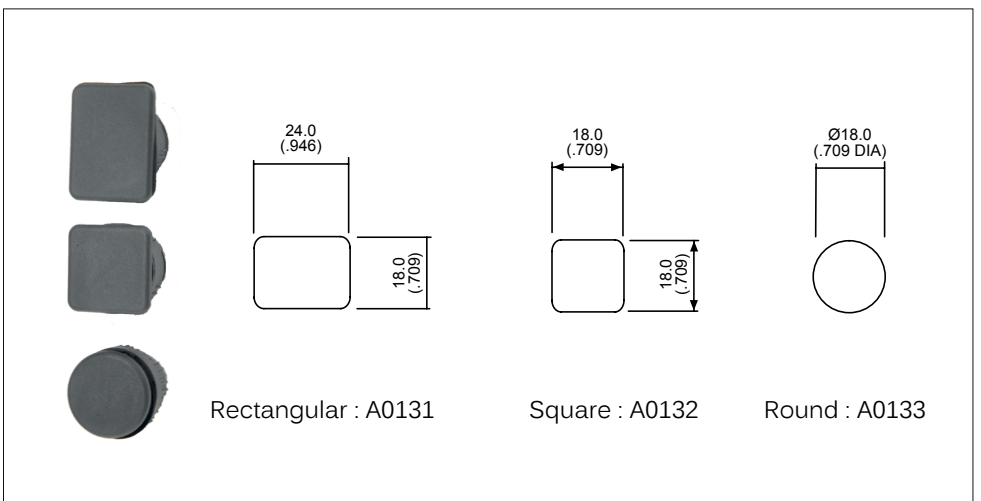
Alluminium bezel protection guards



Anti rotation ring



Blanking plugs



A01 series

Keylock & selector switches

Installation & tools

Installation guide

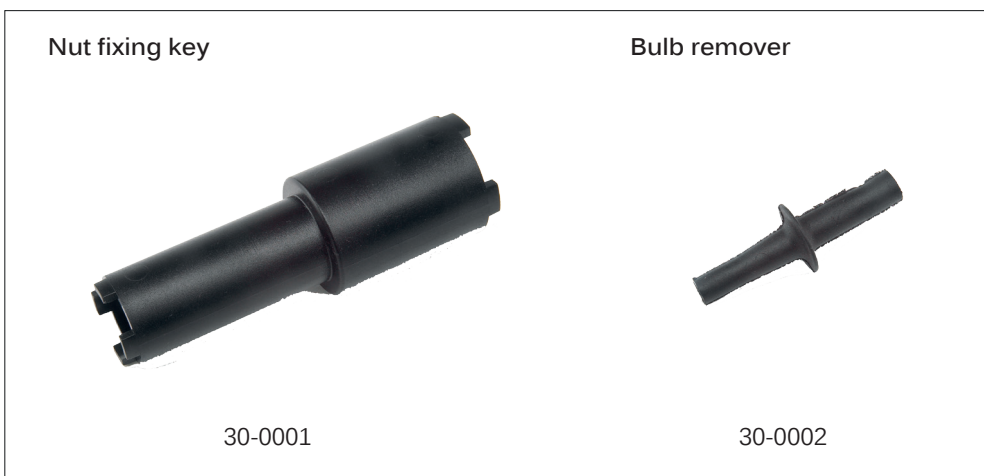
SWITCH BLOCK ASSEMBLY

To assemble switch block to the operator, firstly, take care to line up the switch block with the back of the operator. Once in position slide on to the back of the operator. N.B. Ensure latch is fully engaged correctly onto the switch block. To remove switch block, depress the latch and slide the switch block off the operator.

PANEL MOUNTING ASSEMBLY

- Drill/punch hole shaped as shown on page one.
- Assemble front operator through hole, fit fixing nut and tighten to a maximum torque of 0.8Nm using tool No. 30-0001.
- Wire chosen switch block as required and slide onto operator until latch engages.
- Fit bulb if required using tool No. 30-0002.
- Snap screen onto reflector assembly with legend in between if required and snap onto front operator, take care to line up the locating slot with the polarising dot and not to damage the internal seal
- To place/remove the bulb use the bulb extractor 30-0002.

Tools



Компания «Океан Электроники» предлагает заключение долгосрочных отношений при поставках импортных электронных компонентов на взаимовыгодных условиях!

Наши преимущества:

- Поставка оригинальных импортных электронных компонентов напрямую с производств Америки, Европы и Азии, а так же с крупнейших складов мира;
- Широкая линейка поставок активных и пассивных импортных электронных компонентов (более 30 млн. наименований);
- Поставка сложных, дефицитных, либо снятых с производства позиций;
- Оперативные сроки поставки под заказ (от 5 рабочих дней);
- Экспресс доставка в любую точку России;
- Помощь Конструкторского Отдела и консультации квалифицированных инженеров;
- Техническая поддержка проекта, помощь в подборе аналогов, поставка прототипов;
- Поставка электронных компонентов под контролем ВП;
- Система менеджмента качества сертифицирована по Международному стандарту ISO 9001;
- При необходимости вся продукция военного и аэрокосмического назначения проходит испытания и сертификацию в лаборатории (по согласованию с заказчиком);
- Поставка специализированных компонентов военного и аэрокосмического уровня качества (Xilinx, Altera, Analog Devices, Intersil, Interpoint, Microsemi, Actel, Aeroflex, Peregrine, VPT, Syfer, Eurofarad, Texas Instruments, MS Kennedy, Miteq, Cobham, E2V, MA-COM, Hittite, Mini-Circuits, General Dynamics и др.);

Компания «Океан Электроники» является официальным дистрибьютором и эксклюзивным представителем в России одного из крупнейших производителей разъемов военного и аэрокосмического назначения «JONHON», а так же официальным дистрибьютором и эксклюзивным представителем в России производителя высокотехнологичных и надежных решений для передачи СВЧ сигналов «FORSTAR».



JONHON

«JONHON» (основан в 1970 г.)

Разъемы специального, военного и аэрокосмического назначения:

(Применяются в военной, авиационной, аэрокосмической, морской, железнодорожной, горно- и нефтедобывающей отраслях промышленности)

«FORSTAR» (основан в 1998 г.)

ВЧ соединители, коаксиальные кабели, кабельные сборки и микроволновые компоненты:

(Применяются в телекоммуникациях гражданского и специального назначения, в средствах связи, РЛС, а так же военной, авиационной и аэрокосмической отраслях промышленности).



Телефон: 8 (812) 309-75-97 (многоканальный)

Факс: 8 (812) 320-03-32

Электронная почта: ocean@oceanchips.ru

Web: <http://oceanchips.ru/>

Адрес: 198099, г. Санкт-Петербург, ул. Калинина, д. 2, корп. 4, лит. А