

**Jones  
Plugs/Sockets  
Series 300**

Multiple Density  
Solder Eyelet



FEATURES

- Solder lug terminals with .093" x .062" (2.36mm x 1.57mm) wiring holes.
- Two-contact "Jones" connector is round, all others are rectangular.
- For use in cable-to-panel and cable-to-cable applications.
- Designed for light and medium duty.
- Plug prongs are .156" (3.96mm) wide and .047" (1.19mm) thick.
- Polarized to prevent wrong-way insertion.
- Plugs have projecting flat blades, sockets have recessed twin bellows.
- Cable clamps of zinc and clear irridite-plated steel used for strain relief.
- UL Recognized-file E170218 (UL 1977), E130965 (UL1863).
- CSA-LR31996.
- See Panel Cutout dimension on page (2-38).

MATERIALS

**Insulation Material:** Molded monoblock, general purpose phenolic, black UL94V-1  
**Contact Material:** Plug: Brass  
 Socket: Phosphor bronze  
**Contact Plating:** Cadmium  
**Operating Temperature:** Up to +105°C  
**Hood Material:** UL 94V-0 rated thermoplastic



ELECTRICAL

**Operating Voltage:** 250 VAC RMS maximum  
**Current Rating:** 10 Amps  
**Contact Resistance:** 16 Milliohms maximum



Marketed exclusively through distribution.

Polarizing Patterns - 300 Series



302



304



308



303



306



310



312



315-12



324, 327, 330



315, 318, 321



333

**Mounting Dimensions**

| Reference | A     |       | B     |       | C     |       | D     |       |
|-----------|-------|-------|-------|-------|-------|-------|-------|-------|
|           | in    | mm    | in    | mm    | in    | mm    | in    | mm    |
| 303       | .453  | 11.51 | 1.016 | 25.81 | .750  | 19.05 | -     | -     |
| 304       | .719  | 18.26 | .781  | 19.84 | 1.000 | 25.40 | -     | -     |
| 306       | .719  | 18.26 | 1.031 | 26.19 | 1.000 | 25.40 | -     | -     |
| 308       | .719  | 18.26 | 1.281 | 32.54 | 1.000 | 25.40 | -     | -     |
| 310       | .719  | 18.26 | 1.578 | 40.08 | 1.000 | 25.40 | -     | -     |
| 312       | .953  | 24.21 | 1.266 | 32.16 | 1.250 | 31.75 | -     | -     |
| 315-12    | .953  | 24.21 | 1.516 | 38.51 | 1.250 | 31.75 | -     | -     |
| 315       | 1.016 | 25.81 | 1.641 | 41.68 | 1.375 | 34.93 | -     | -     |
| 318       | 1.016 | 25.81 | 1.953 | 49.61 | 1.375 | 34.93 | .625  | 15.88 |
| 321       | 1.016 | 25.81 | 2.266 | 57.56 | 1.375 | 34.93 | .469  | 11.91 |
| 324       | 1.016 | 25.81 | 2.578 | 65.48 | 1.375 | 34.93 | .625  | 15.88 |
| 327       | 1.016 | 25.81 | 2.891 | 73.43 | 1.375 | 34.93 | .781  | 19.84 |
| 330       | 1.016 | 25.81 | 3.203 | 81.36 | 1.375 | 34.93 | .938  | 23.83 |
| 333       | 1.016 | 25.81 | 3.516 | 89.31 | 1.375 | 34.93 | 1.094 | 27.79 |

NOTE: For 300 Series 2 through 33 contact angle bracket connectors. All mounting holes are .156" (3.96mm) dia. Maximum chassis thickness is .063" (1.59mm) for bottom mounting. Mounting holes are located on center line unless otherwise shown.



Marketed exclusively through distribution.

| No. of Contacts | With Angle Bracket |                    | No. of Contacts | Less Angle Bracket |                    |
|-----------------|--------------------|--------------------|-----------------|--------------------|--------------------|
|                 | Catalog No. Plug   | Catalog No. Socket |                 | Catalog No. Plug   | Catalog No. Socket |
| 2               | P-302-AB           | S-302-AB           | 2               | P-302-LAB          | S-302-LAB          |
| 3               | P-303-AB           | S-303-AB           | 3               | P-303-LAB          | S-303-LAB          |
| 4               | P-304-AB           | S-304-AB           | 4               | P-304-LAB          | S-304-LAB          |
| 6               | P-306-AB           | S-306-AB           | 6               | P-306-LAB          | S-306-LAB          |
| 8               | N/A                | N/A                | 8               | N/A                | N/A                |
| 10              | P-310-AB           | N/A                | 10              | P-310-LAB          | N/A                |
| 12              | P-312-AB           | N/A                | 12              | P-312-LAB          | N/A                |
| 15*             | N/A                | S-315-12-AB        | 15              | N/A                | S-315-12-LAB       |
| 15              | P-315-AB           | S-315-AB           | 15              | P-315-LAB          | S-315-LAB          |
| 18              | P-318-AB           | S-318-AB           | 18              | P-318-LAB          | S-318-LAB          |
| 21              | P-321-AB           | S-321-AB           | 21              | P-321-LAB          | S-321-LAB          |
| 24              | P-324-AB           | S-324-AB           | 24              | P-324-LAB          | S-324-LAB          |
| 27              | P-327-AB           | S-327-AB           | 27              | P-327-LAB          | S-327-LAB          |
| 30              | P-330-AB           | S-330-AB           | 30              | P-330-LAB          | S-330-LAB          |
| 33              | P-333-AB           | S-333-AB           | 33              | P-333-LAB          | S-333-LAB          |

X = length of plug contacts. This dimension does not apply to sockets.  
Y = length of plug or socket tails.



| No. of Contacts | A     |       | B    |       | C     |       | D     |       |
|-----------------|-------|-------|------|-------|-------|-------|-------|-------|
|                 | in    | mm    | in   | mm    | in    | mm    | in    | mm    |
| 2               | .656  | 16.67 | -    | -     | .969  | 24.61 | 1.219 | 30.96 |
| 3               | 1.000 | 25.40 | .438 | 11.11 | .750  | 19.05 | 1.062 | 26.99 |
| 4               | .750  | 19.05 | .688 | 17.46 | 1.000 | 25.40 | 1.312 | 33.34 |
| 6               | 1.000 | 25.40 | .688 | 17.46 | 1.000 | 25.40 | 1.312 | 33.34 |
| 8               | --    | --    | --   | --    | --    | --    | --    | --    |
| 10              | 1.562 | 39.69 | .688 | 17.46 | 1.000 | 25.40 | 1.312 | 33.34 |
| 12              | 1.250 | 31.75 | .938 | 23.81 | 1.250 | 31.75 | 1.562 | 39.69 |
| 15*             | 1.500 | 38.10 | .938 | 23.81 | 1.250 | 31.75 | 1.562 | 39.69 |

\*Special 15 contact arrangement to allow 12-position mating.

| Reference | L     |       | M        |       | Polarizing Pin |
|-----------|-------|-------|----------|-------|----------------|
|           | in    | mm    | in       | mm    |                |
| 15        | 1.625 | 41.28 | See note | -     | NO             |
| 18        | 1.938 | 49.23 | 1.250    | 31.75 | NO             |
| 21        | 2.250 | 57.15 | .938     | 23.81 | NO             |
| 24        | 2.563 | 65.10 | 1.250    | 31.75 | 14             |
| 27        | 2.875 | 73.03 | 1.562    | 39.69 | 14             |
| 30        | 3.188 | 80.98 | 1.875    | 47.63 | 14             |
| 33        | 3.500 | 88.90 | 2.188    | 55.58 | 17             |

NOTE: 15-position plug and socket require only two mounting brackets, mounted on center of connector.

Marketed exclusively through distribution.

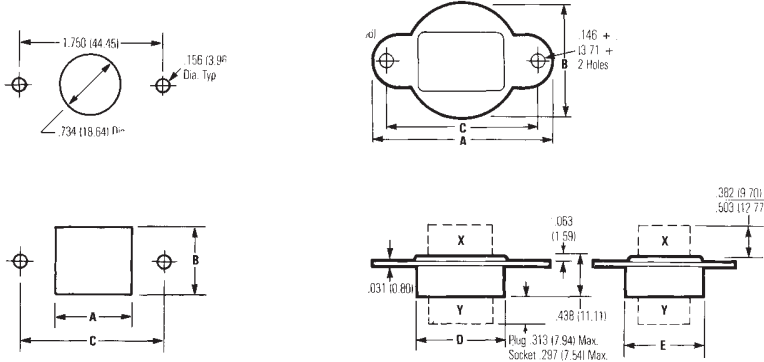
**300 Series with Flush Plate (FP)**

| No. of Contacts | Catalog No. Plug | Catalog No. Socket |
|-----------------|------------------|--------------------|
| 2               | P-302-FP         | S-302-FP           |
| 3               | P-303-FP         | S-303-FP           |
| 4               | P-304-FP         | S-304-FP           |
| 6               | P-306-FP         | S-306-FP           |
| 8               | N/A              | N/A                |
| 10              | P-310-FP         | N/A                |
| 12              | P-312-FP         | N/A                |

NOTE: Not available in contact sizes 15-33.



X = length of plug contacts. This dimension does not apply to sockets.  
Y = length of plug or socket tails.



**Dimensions - Plug or Socket**

| No. of Contacts | A     |       | B     |       | C     |       | D     |       | E Max. |       |
|-----------------|-------|-------|-------|-------|-------|-------|-------|-------|--------|-------|
|                 | in    | mm    | in    | mm    | in    | mm    | in    | mm    | in     | mm    |
| 2               | 2.063 | 52.40 | 1.250 | 31.75 | 1.750 | 44.45 | -     | -     | .719   | 18.26 |
| 3               | 2.063 | 52.40 | 1.250 | 31.75 | 1.750 | 44.45 | .938  | 23.81 | .500   | 12.70 |
| 4               | 2.063 | 52.40 | 1.250 | 31.75 | 1.750 | 44.45 | .688  | 17.46 | .750   | 19.05 |
| 6               | 2.063 | 52.40 | 1.250 | 31.75 | 1.750 | 44.45 | .938  | 23.81 | .750   | 19.05 |
| 8               | --    | --    | --    | --    | --    | --    | --    | --    | --     | --    |
| 10              | 2.563 | 65.10 | 1.750 | 44.45 | 2.250 | 57.15 | 1.500 | 38.10 | .750   | 19.05 |
| 12              | 2.563 | 65.10 | 1.750 | 44.45 | 2.250 | 57.15 | 1.188 | 30.16 | 1.000  | 25.40 |

**Panel Cutout Dimensions**

| Reference | A     |       | B     |       | C     |       |
|-----------|-------|-------|-------|-------|-------|-------|
|           | in    | mm    | in    | mm    | in    | mm    |
| 303-FP    | .953  | 24.21 | .516  | 13.11 | 1.750 | 44.45 |
| 304-FP    | .703  | 17.86 | .766  | 19.46 | 1.750 | 44.45 |
| 306-FP    | .953  | 24.21 | .766  | 19.46 | 1.750 | 44.45 |
| 308-FP    | --    | --    | --    | --    | --    | --    |
| 310-FP    | 1.516 | 38.51 | .766  | 19.46 | 2.250 | 57.15 |
| 312-FP    | 1.203 | 30.56 | 1.016 | 25.81 | 2.250 | 57.15 |

Marketed exclusively through distribution.

**300 Series with End Brackets (EB)**

| No. of Contacts | Catalog No. Plug | Catalog No. Socket |
|-----------------|------------------|--------------------|
| 15              | P-315-EB         | S-315-EB           |
| 18              | P-318-EB         | S-318-EB           |
| 21              | P-321-EB         | S-321-EB           |
| 24              | P-324-EB         | S-324-EB           |
| 28              | P-328-EB         | S-328-EB           |
| 30              | P-330-EB         | S-330-EB           |
| 33              | P-333-EB         | S-333-EB           |

NOTE: Not available in contact sizes 2-12.



2

X = length of plug contacts. This dimension does not apply to sockets.  
Y = length of plug or socket tails.



**Dimensions**

| No. of Contacts | L             |        | M             |       | P              |       | Polarizing Pin |
|-----------------|---------------|--------|---------------|-------|----------------|-------|----------------|
|                 | ±.031 (.79mm) |        | ±.031 (.79mm) |       | ±.063 (1.59mm) |       |                |
| 15              | 2.313         | 58.75  | 2.000         | 50.80 | 1.625          | 41.28 | NO             |
| 18              | 2.625         | 66.68  | 2.313         | 58.75 | 1.938          | 49.23 | NO             |
| 21              | 2.938         | 74.63  | 2.625         | 66.68 | 2.250          | 57.15 | NO             |
| 24              | 3.250         | 82.55  | 2.938         | 74.63 | 2.563          | 65.10 | 14             |
| 27              | 3.563         | 90.50  | 3.250         | 82.55 | 2.875          | 73.03 | 14             |
| 30              | 3.875         | 98.43  | 3.563         | 90.50 | 3.188          | 80.98 | 14             |
| 33              | 4.188         | 106.38 | 3.875         | 98.43 | 3.500          | 88.90 | 17             |

**Panel Cutout Dimensions**

| Reference | A     |       | B     |       | C     |       |
|-----------|-------|-------|-------|-------|-------|-------|
|           | in    | mm    | in    | mm    | in    | mm    |
| 315-EB    | 1.641 | 41.68 | 1.016 | 25.81 | 2.000 | 50.80 |
| 318-EB    | 1.953 | 49.61 | 1.016 | 25.81 | 2.313 | 58.75 |
| 321-EB    | 2.266 | 57.56 | 1.016 | 25.81 | 2.625 | 66.68 |
| 324-EB    | 2.578 | 65.48 | 1.016 | 25.81 | 2.938 | 74.63 |
| 327-EB    | 2.891 | 73.43 | 1.016 | 25.81 | 3.250 | 82.55 |
| 330-EB    | 3.203 | 81.36 | 1.016 | 25.81 | 3.563 | 90.50 |
| 333-EB    | 3.516 | 89.31 | 1.016 | 25.81 | 3.875 | 98.43 |

Marketed exclusively through distribution.

**300 Series with Recessed Plate (RP)**

| No. of Contacts | Catalog No. Plug | Catalog No. Socket |
|-----------------|------------------|--------------------|
| 2               | P-302-RP         | S-302-RP           |
| 3               | P-303-RP         | S-303-RP           |
| 4               | P-304-RP         | S-304-RP           |
| 6               | P-306-RP         | S-306-RP           |
| 8               | N/A              | N/A                |
| 10              | P-310-RP         | N/A                |
| 12              | P-312-RP         | N/A                |

NOTE: Not available in contact sizes 15-33.



Y = length of plug or socket tails.

**Dimensions**

| No. of Contacts | A     |       | B     |       | C     |       | D Max. |       |
|-----------------|-------|-------|-------|-------|-------|-------|--------|-------|
|                 | in    | mm    | in    | mm    | in    | mm    | in     | mm    |
| 2               | 2.063 | 52.40 | 1.500 | 38.10 | 1.750 | 44.45 | 1.350  | 34.29 |
| 3               | 2.063 | 52.40 | 1.500 | 38.10 | 1.750 | 44.45 | 1.350  | 34.29 |
| 4               | 2.063 | 52.40 | 1.500 | 38.10 | 1.750 | 44.45 | 1.350  | 34.29 |
| 6               | 2.063 | 52.40 | 1.500 | 38.10 | 1.750 | 44.45 | 1.350  | 34.29 |
| 8               | --    | --    | --    | --    | --    | --    | --     | --    |
| 10              | 2.563 | 65.10 | 2.000 | 50.80 | 2.250 | 57.15 | 1.850  | 46.99 |
| 12              | 2.563 | 65.10 | 2.000 | 50.80 | 2.250 | 57.15 | 1.850  | 46.99 |

Marketed exclusively through distribution.

**300 Series with Shallow Bracket (SB)**

| No. of Contacts | Catalog No. Plug | Catalog No. Socket |
|-----------------|------------------|--------------------|
| 15              | P-315-SB         | S-315-SB           |
| 18              | P-318-SB         | S-318-SB           |
| 21              | P-321-SB         | S-321-SB           |
| 24              | P-324-SB         | S-324-SB           |
| 27              | P-327-SB         | S-327-SB           |
| 30              | P-330-SB         | S-330-SB           |
| 33              | P-333-SB         | S-333-SB           |

NOTE: Not available in contact sizes 2-12.



2



X = length of plug contacts. This dimension does not apply to sockets.  
Y = length of plug or socket tails.

**Dimensions**

| No. of Polarizing Contacts | A        |            | M        |            | L        |             | Polarizing Pin |
|----------------------------|----------|------------|----------|------------|----------|-------------|----------------|
|                            | ±.031 in | (.79mm) mm | ±.031 in | (.79mm) mm | ±.063 in | (1.59mm) mm |                |
| 15                         | 1.688    | 42.86      | 2.125    | 53.98      | 2.547    | 64.69       | NO             |
| 18                         | 2.000    | 50.80      | 2.438    | 61.93      | 2.859    | 72.62       | NO             |
| 21                         | 2.313    | 58.75      | 2.750    | 69.85      | 3.172    | 80.57       | NO             |
| 24                         | 2.625    | 66.68      | 2.063    | 52.40      | 3.484    | 88.49       | 14             |
| 27                         | 2.938    | 74.63      | 3.375    | 85.73      | 3.797    | 96.44       | 14             |
| 30                         | 3.250    | 82.55      | 3.688    | 93.68      | 4.109    | 104.38      | 14             |
| 33                         | 3.563    | 90.50      | 4.000    | 101.60     | 4.422    | 112.32      | 17             |

**Panel Cutout Dimensions**

| Reference | A     |       | B     |       | C     |        |
|-----------|-------|-------|-------|-------|-------|--------|
|           | in    | mm    | in    | mm    | in    | mm     |
| 315-SB    | 1.750 | 44.45 | 1.156 | 29.36 | 2.125 | 53.98  |
| 318-SB    | 2.063 | 52.40 | 1.156 | 29.36 | 2.438 | 61.93  |
| 321-SB    | 2.375 | 60.33 | 1.156 | 29.36 | 2.750 | 69.85  |
| 324-SB    | 2.688 | 68.28 | 1.156 | 29.36 | 3.062 | 77.77  |
| 327-SB    | 3.000 | 76.20 | 1.156 | 29.36 | 3.376 | 85.75  |
| 330-SB    | 3.313 | 84.15 | 1.156 | 29.36 | 3.688 | 93.68  |
| 333-SB    | 3.625 | 92.08 | 1.156 | 29.36 | 4.000 | 101.60 |

Marketed exclusively through distribution.



**300 Series Deep Bracket (DB)**

| No. of Contacts | Catalog No. Plug | Catalog No. Socket |
|-----------------|------------------|--------------------|
| 2               | P-302-DB         | S-302-DB           |
| 3               | P-303-DB         | S-303-DB           |
| 4               | P-304-DB         | S-304-DB           |
| 6               | P-306-DB         | S-306-DB           |
| 8               | N/A              | N/A                |
| 10              | N/A              | N/A                |
| 12              | P-312-DB         | N/A                |
| 15              | P-315-DB         | S-315-DB           |
| 18              | P-318-DB         | S-318-DB           |
| 21              | P-321-DB         | S-321-DB           |
| 24              | P-324-DB         | S-324-DB           |
| 27              | P-327-DB         | S-327-DB           |
| 30              | P-330-DB         | S-330-DB           |
| 33              | P-333-DB         | S-333-DB           |



**Dimensions**

Y = length of plug or socket tails.

| No. of Contacts | L              |        | M             |        | Polarizing Pin |
|-----------------|----------------|--------|---------------|--------|----------------|
|                 | ±.063 (1.60mm) |        | ±.031 (.79mm) |        |                |
|                 | in             | mm     | in            | mm     |                |
| 15              | 2.813          | 71.44  | 2.375         | 60.33  | NO             |
| 18              | 3.125          | 79.38  | 2.688         | 68.28  | NO             |
| 21              | 3.437          | 87.31  | 3.000         | 76.20  | NO             |
| 24              | 3.750          | 95.25  | 3.313         | 84.15  | 14             |
| 27              | 4.063          | 103.19 | 3.625         | 92.08  | 14             |
| 30              | 4.375          | 111.13 | 3.938         | 100.03 | 14             |
| 33              | 4.688          | 119.06 | 4.250         | 107.95 | 17             |

**Panel Cutout Dimensions**

| Reference   | A     |       | B     |       | C     |        |
|-------------|-------|-------|-------|-------|-------|--------|
|             | in    | mm    | in    | mm    | in    | mm     |
| 302-DB thru |       |       |       |       |       |        |
| 312-DB      | 1.453 | 36.91 | 1.125 | 28.58 | 1.750 | 38.10  |
| 315-DB      | 2.000 | 50.80 | 1.438 | 36.53 | 2.376 | 60.35  |
| 318-DB      | 2.313 | 58.75 | 1.438 | 36.53 | 2.688 | 68.28  |
| 321-DB      | 2.625 | 66.68 | 1.438 | 36.53 | 3.000 | 76.20  |
| 324-DB      | 2.938 | 74.63 | 1.438 | 36.53 | 3.312 | 84.12  |
| 327-DB      | 3.250 | 82.55 | 1.438 | 36.53 | 3.626 | 92.10  |
| 330-DB      | 3.562 | 90.47 | 1.438 | 36.53 | 3.938 | 100.03 |
| 333-DB      | 3.875 | 98.43 | 1.438 | 36.53 | 4.250 | 107.95 |

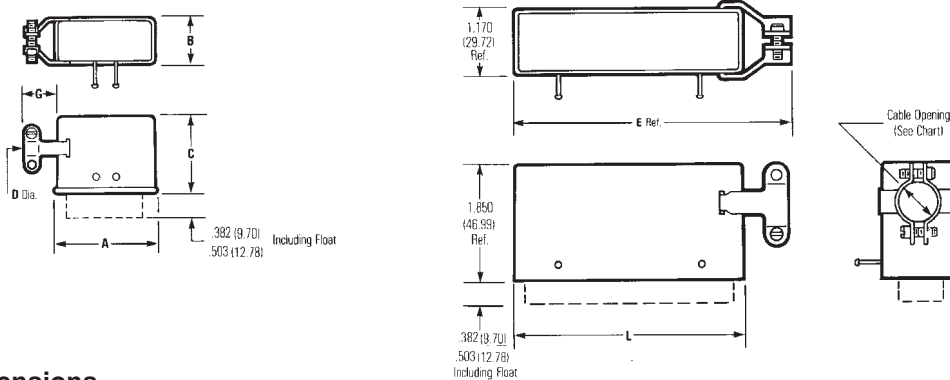
Marketed exclusively through distribution.

**300 Series with Hood and 90° Cable Clamp (CCE)**

| No. of Contacts | Catalog No. Plug | Catalog No. Socket |
|-----------------|------------------|--------------------|
| 2               | P-302-CCE        | S-302-CCE          |
| 3               | P-303-CCE        | S-303-CCE          |
| 4               | P-304-CCE        | S-304-CCE          |
| 6               | P-306-CCE        | S-306-CCE          |
| 8               | N/A              | N/A                |
| 10              | P-310-CCE        | N/A                |
| 12              | P-312-CCE        | N/A                |
| 15              | P-315-CCE        | S-315-CCE          |
| 18              | P-318-CCE        | S-318-CCE          |
| 21              | P-321-CCE        | S-321-CCE          |
| 24              | P-324-CCE        | S-324-CCE          |
| 27              | P-327-CCE        | S-327-CCE          |
| 30              | P-330-CCE        | S-330-CCE          |
| 33              | P-333-CCE        | S-333-CCE          |



2



**Dimensions**

| No. of Contacts | A ±.016 (.41mm) |       | B ±.016 (.41mm) |       | C ±.031 (.79mm) |       | G    |       | Cable "D" Opening |       |
|-----------------|-----------------|-------|-----------------|-------|-----------------|-------|------|-------|-------------------|-------|
|                 | in              | mm    | in              | mm    | in              | mm    | in   | mm    | in                | mm    |
| 2               | .691            | 17.55 | -               | -     | .953            | 24.21 | .313 | 7.95  | .313              | 7.95  |
| 3               | 1.034           | 26.26 | .472            | 11.99 | .953            | 24.21 | .344 | 8.74  | .250              | 6.35  |
| 4               | .786            | 19.96 | .724            | 18.39 | .953            | 24.21 | .453 | 11.51 | .375              | 9.53  |
| 6               | 1.036           | 26.31 | .724            | 18.39 | .078            | 27.38 | .469 | 11.91 | .438              | 11.13 |
| 8               | --              | --    | --              | --    | --              | --    | --   | --    | --                | --    |
| 10              | 1.592           | 40.44 | .720            | 18.29 | 1.203           | 30.56 | .359 | 9.12  | .500              | 12.70 |
| 12              | 1.286           | 32.66 | .974            | 24.74 | 1.203           | 30.56 | .422 | 10.72 | .563              | 14.30 |

| No. of Contacts | E     |        | L     |       | Cable Opening |       | Polarizing Pin |
|-----------------|-------|--------|-------|-------|---------------|-------|----------------|
|                 | in    | mm     | in    | mm    | in            | mm    |                |
| 15              | 2.514 | 63.85  | 1.795 | 45.59 | .563          | 14.30 | NO             |
| 18              | 2.826 | 71.78  | 2.107 | 53.52 | .563          | 14.30 | NO             |
| 21              | 3.139 | 79.73  | 2.420 | 61.47 | .625          | 15.88 | NO             |
| 24              | 3.451 | 87.66  | 2.732 | 69.39 | .625          | 15.88 | 14             |
| 27              | 3.764 | 95.61  | 3.045 | 77.34 | .625          | 15.88 | 14             |
| 30              | 4.076 | 103.53 | 3.357 | 85.27 | .750          | 19.05 | 14             |
| 33              | 4.389 | 111.48 | 3.670 | 93.22 | .750          | 19.05 | 17             |

Marketed exclusively through distribution.

**300 Series with Hood and 180° Cable Clamp (CCT)**

| No. of Contacts | Catalog No. Plug | Catalog No. Socket |
|-----------------|------------------|--------------------|
| 2               | P-302-CCT        | S-302-CCT          |
| 3               | P-303-CCT        | S-303-CCT          |
| 4               | P-304-CCT        | S-304-CCT          |
| 6               | P-306-CCT        | S-306-CCT          |
| 8               | N/A              | N/A                |
| 10              | P-310-CCT        | N/A                |
| 12              | P-312-CCT        | N/A                |
| 15              | P-315-CCT        | S-315-CCT          |
| 18              | P-318-CCT        | S-318-CCT          |
| 21              | P-321-CCT        | S-321-CCT          |
| 24              | P-324-CCT        | S-324-CCT          |
| 27              | P-327-CCT        | S-327-CCT          |
| 30              | P-330-CCT        | S-330-CCT          |
| 33              | P-333-CCT        | S-333-CCT          |



**Dimensions**

| No. of Contacts | A ±.016 (.41mm) |       | B ±.016 (.41mm) |       | C ±.031 (.79mm) |       | "D" Cable Opening |       | E ±.031 (.79mm) |       |
|-----------------|-----------------|-------|-----------------|-------|-----------------|-------|-------------------|-------|-----------------|-------|
|                 | in              | mm    | in              | mm    | in              | mm    | in                | mm    | in              | mm    |
| 2               | .691            | 17.55 | -               | -     | .953            | 24.21 | .375              | 9.53  | .359            | 9.12  |
| 3               | 1.034           | 26.26 | .472            | 11.99 | .953            | 24.21 | .313              | 7.95  | .359            | 9.12  |
| 4               | .786            | 19.96 | .724            | 18.39 | .953            | 24.21 | .375              | 9.53  | .469            | 11.91 |
| 6               | 1.036           | 26.31 | .724            | 18.39 | 1.078           | 27.38 | .438              | 11.13 | .484            | 12.29 |
| 8               | --              | --    | --              | --    | --              | --    | --                | --    | --              | --    |
| 10              | 1.592           | 40.44 | .720            | 18.29 | 1.203           | 30.56 | .500              | 12.70 | .500            | 12.70 |
| 12              | 1.286           | 32.66 | .974            | 24.74 | 1.203           | 30.56 | .563              | 14.30 | .469            | 11.91 |

| No. of Contacts | L     |       | Cable Opening |       | Polarizing Pin |
|-----------------|-------|-------|---------------|-------|----------------|
|                 | in    | mm    | in            | mm    |                |
| 15              | 1.795 | 45.59 | .563          | 14.30 | NO             |
| 18              | 2.107 | 53.52 | .563          | 14.30 | NO             |
| 21              | 2.420 | 61.47 | .625          | 15.88 | NO             |
| 24              | 2.732 | 69.39 | .625          | 15.88 | 14             |
| 27              | 3.045 | 77.34 | .625          | 15.88 | 14             |
| 30              | 3.357 | 85.27 | .750          | 19.05 | 14             |
| 33              | 3.670 | 93.22 | .750          | 19.05 | 17             |

Marketed exclusively through distribution.

**Jones  
Plugs/Sockets  
Series 300**

Multiple Density  
Solder Eyelet  
180° Clamp w/Locks



**300 Series Plug with Hood and Lock (CCT-L) and Socket with Hood and Keeper (CCT-K)**

| No. of Contacts | Catalog No. Plug w/ Lock | Catalog No. Socket w/ Keeper |
|-----------------|--------------------------|------------------------------|
| 2               | P-302-CCT-L              | S-302-CCT-K                  |
| 3               | P-303-CCT-L              | S-303-CCT-K                  |
| 4               | P-304-CCT-L              | S-304-CCT-K                  |
| 6               | P-306-CCT-L              | S-306-CCT-K                  |
| 8               | N/A                      | N/A                          |
| 10              | P-310-CCT-L              | N/A                          |
| 12              | P-312-CCT-L              | N/A                          |
| 15              | P-315-CCT-L              | S-315-CCT-K                  |
| 18              | P-318-CCT-L              | S-318-CCT-K                  |
| 21              | P-321-CCT-L              | S-321-CCT-K                  |
| 24              | P-324-CCT-L              | S-324-CCT-K                  |
| 27              | P-327-CCT-L              | S-327-CCT-K                  |
| 30              | P-330-CCT-L              | S-330-CCT-K                  |
| 33              | P-333-CCT-L              | S-333-CCT-K                  |



2



**Dimensions**

| No. of Contacts | A ±.016 (.41mm) |       | B ±.016 (.41mm) |       | C ±.031 (.79mm) |       | F    |       | "D" Cable Opening |       | Polarizing Pin |
|-----------------|-----------------|-------|-----------------|-------|-----------------|-------|------|-------|-------------------|-------|----------------|
|                 | in              | mm    | in              | mm    | in              | mm    | in   | mm    | in                | mm    |                |
| 2               | .691            | 17.5  | -               | -     | .953            | 24.21 | .359 | 9.12  | .375              | 9.53  | --             |
| 3               | 1.034           | 26.26 | .472            | 11.99 | .953            | 24.21 | .359 | 9.12  | .313              | 7.94  | --             |
| 4               | .786            | 19.96 | .724            | 18.39 | .953            | 24.21 | .469 | 11.91 | .375              | 9.53  | --             |
| 6               | 1.036           | 26.31 | .724            | 18.39 | 1.078           | 27.38 | .484 | 12.29 | .438              | 11.13 | --             |
| 8               | --              | --    | --              | --    | --              | --    | --   | --    | --                | --    | --             |
| 10              | 1.592           | 40.44 | .720            | 18.29 | 1.203           | 30.56 | .500 | 12.70 | .500              | 12.70 | --             |
| 12              | 1.286           | 32.66 | .974            | 24.74 | 1.203           | 30.56 | .469 | 11.91 | .563              | 14.30 | --             |
| 15              | 1.795           | 45.59 | 1.100           | 27.94 | 1.850           | 46.99 | .712 | 18.08 | .563              | 14.30 | NO             |
| 18              | 2.107           | 53.52 | 1.100           | 27.94 | 1.850           | 46.99 | .712 | 18.08 | .563              | 14.30 | NO             |
| 21              | 2.420           | 61.47 | 1.100           | 27.94 | 1.850           | 46.99 | .712 | 18.08 | .625              | 15.88 | NO             |
| 24              | 2.732           | 69.39 | 1.100           | 27.94 | 1.850           | 46.99 | .712 | 18.08 | .625              | 15.88 | 14             |
| 27              | 3.045           | 77.34 | 1.100           | 27.94 | 1.850           | 46.99 | .712 | 18.08 | .625              | 15.88 | 14             |
| 30              | 3.357           | 85.27 | 1.100           | 27.94 | 1.850           | 46.99 | .712 | 18.08 | .750              | 19.05 | 14             |
| 33              | 3.670           | 93.22 | 1.100           | 27.94 | 1.850           | 46.99 | .712 | 18.08 | .750              | 19.05 | 17             |

Marketed exclusively through distribution.

**JONES PLUGS AND SOCKETS 300 SERIES MATING CHART**

PLUGS

| MOUNTING CONFIG. | AB | DB | FP | RP | EB | SB | CCE | CCT | CCT-L | CCT-K | LAB |
|------------------|----|----|----|----|----|----|-----|-----|-------|-------|-----|
| AB               | ●* |    | ●* |    | ●* | ●* | ●   | ●   |       |       | ●   |
| DB               |    |    |    |    |    |    |     | ●   |       |       | ●   |
| FP               | ●* |    | ●* |    | ●* |    | ●   | ●   |       |       | ●   |
| RP               |    |    |    |    |    |    | ●   | ●   |       |       | ●   |
| EB               | ●* |    | ●* |    | ●* |    | ●   | ●   |       |       | ●   |
| SB               | ●* |    |    |    | ●* | ●* | ●   | ●   |       |       | ●   |
| CCE              | ●  |    | ●  | ●  | ●  | ●  | ●   | ●   |       |       | ●   |
| CCT              | ●  | ●  | ●  | ●  | ●  | ●  | ●   | ●   |       |       | ●   |
| CCT-L            |    |    |    |    |    |    |     |     |       | ●     |     |
| CCT-K            |    |    |    |    |    |    |     |     | ●     |       |     |
| LAB              | ●  | ●  | ●  | ●  | ●  | ●  | ●   | ●   | ●     | ●     | ●   |

- These are recommended configurations.
- \* These are possible configurations, but not normally recommended.

NOTE: Cinch layout S315-12 is available only in "AB" or "LAB".

**Replacement Drive Pins for Series 300 Plugs and Sockets with Cable Caps and Clamps**

**Dimensions**

**Ordering Information**

| No. of Contacts | Dim. L               |       | No. of Contacts | Catalog No. |
|-----------------|----------------------|-------|-----------------|-------------|
|                 | + .005 (.13mm)<br>in | mm    |                 |             |
| 2               | .687                 | 17.45 | 2               | 302R        |
| 3               | .468                 | 11.89 | 3               | 303R        |
| 4,6,8,10*       | .718                 | 18.24 | 4,6,8,10*       | 304R        |
| 12              | .953                 | 28.58 | 12              | 312R        |
| 15-33*          | 1.125                | 28.58 | 15-33*          | 333R        |



\*10 contact size and 15 through 33 contact sizes require two pins per unit; all other sizes require only one.

Marketed exclusively through distribution.

Компания «Океан Электроники» предлагает заключение долгосрочных отношений при поставках импортных электронных компонентов на взаимовыгодных условиях!

Наши преимущества:

- Поставка оригинальных импортных электронных компонентов напрямую с производств Америки, Европы и Азии, а так же с крупнейших складов мира;
- Широкая линейка поставок активных и пассивных импортных электронных компонентов (более 30 млн. наименований);
- Поставка сложных, дефицитных, либо снятых с производства позиций;
- Оперативные сроки поставки под заказ (от 5 рабочих дней);
- Экспресс доставка в любую точку России;
- Помощь Конструкторского Отдела и консультации квалифицированных инженеров;
- Техническая поддержка проекта, помощь в подборе аналогов, поставка прототипов;
- Поставка электронных компонентов под контролем ВП;
- Система менеджмента качества сертифицирована по Международному стандарту ISO 9001;
- При необходимости вся продукция военного и аэрокосмического назначения проходит испытания и сертификацию в лаборатории (по согласованию с заказчиком);
- Поставка специализированных компонентов военного и аэрокосмического уровня качества (Xilinx, Altera, Analog Devices, Intersil, Interpoint, Microsemi, Actel, Aeroflex, Peregrine, VPT, Syfer, Eurofarad, Texas Instruments, MS Kennedy, Miteq, Cobham, E2V, MA-COM, Hittite, Mini-Circuits, General Dynamics и др.);

Компания «Океан Электроники» является официальным дистрибьютором и эксклюзивным представителем в России одного из крупнейших производителей разъемов военного и аэрокосмического назначения «JONHON», а так же официальным дистрибьютором и эксклюзивным представителем в России производителя высокотехнологичных и надежных решений для передачи СВЧ сигналов «FORSTAR».



## JONHON

«JONHON» (основан в 1970 г.)

Разъемы специального, военного и аэрокосмического назначения:

(Применяются в военной, авиационной, аэрокосмической, морской, железнодорожной, горно- и нефтедобывающей отраслях промышленности)

«FORSTAR» (основан в 1998 г.)

ВЧ соединители, коаксиальные кабели, кабельные сборки и микроволновые компоненты:

(Применяются в телекоммуникациях гражданского и специального назначения, в средствах связи, РЛС, а так же военной, авиационной и аэрокосмической отраслях промышленности).



Телефон: 8 (812) 309-75-97 (многоканальный)

Факс: 8 (812) 320-03-32

Электронная почта: [ocean@oceanchips.ru](mailto:ocean@oceanchips.ru)

Web: <http://oceanchips.ru/>

Адрес: 198099, г. Санкт-Петербург, ул. Калинина, д. 2, корп. 4, лит. А