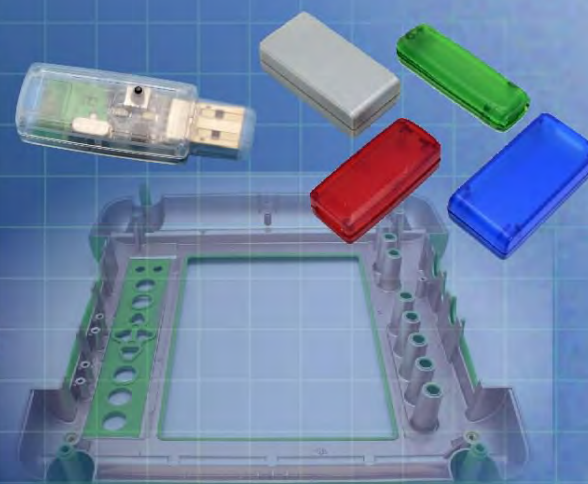


Ordering a market-ready enclosure® is made fast and affordable with our complete in-house capabilities. New Age provides machined openings to fit your PCB, pad printing for your graphics, custom enclosures, custom colors, final assembly, testing and fulfillment services to save you additional time and money. Ask your representative for a free quote today 805-595-1310.

## ***Fast and Affordable Customization***

**CNC Modifications  
Pad Printing  
Colored Resins  
EMI/RF Shielding  
Custom Enclosure  
Assembly & Testing**



ISO quality  
off-the-shelf  
to market-ready®

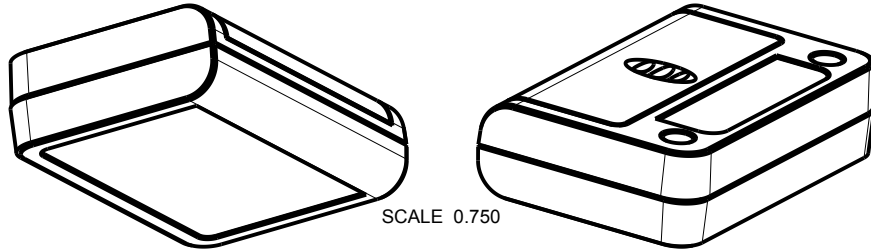
# **NEW AGE ENCLOSURES**

[www.NewAgeEnclosures.com](http://www.NewAgeEnclosures.com)

4330 Santa Fe Road • San Luis Obispo, CA 93401 • T 805.595.1310 • F 805.595.1024

**NOTES: UNLESS OTHERWISE SPECIFIED**

- CORNERS DRAWN SHARP TO BE R.005 MAXIMUM.
- EXTERIOR SURFACE TEXTURE TO BE LIGHT EDM FINISH. EQUIVALENT TO MT-11006.
- INTERIOR SURFACE TEXTURE TO BE: NONE.
- ALL INSIDE RADII .010R. UNLESS OTHERWISE SPECIFIED.
- ALL EXTERNAL DIMENSIONS AFFECTED BY THE DRAFT APPLY AT THE LARGE END OF THE FEATURE, AND ALL INTERNAL FEATURES AFFECTED BY THE DRAFT APPLY AT THE SMALL END OF THE FEATURE UNLESS OTHERWISE SPECIFIED.
- 1 DEGREE DRAFT IN THE DIRECTION OF PULL IS PERMISSIBLE UNLESS OTHERWISE SPECIFIED.
- MATERIAL / COLOR: ABS PLASTIC IS STANDARD IN BLACK OR WHITE. CUSTOM MATERIALS AND COLORS ARE AVAILABLE UPON REQUEST FOR QUOTE.
- PCB SIZES ARE RECOMMENDATIONS ONLY. FINAL SIZES AND VERIFICATION OF ITS FIT ARE THE SOLE RESPONSIBILITY OF EACH OWNER.
- STANDARD OR CUSTOM LABEL RECESSES ARE AVAILABLE FOR QUOTE.
- ASSEMBLY SCREWS FOR THE ENCLOSURE INCLUDED.
- THIS DRAWING IS BASED ON A SOLID MODEL, AND IS FURTHER DEFINED BY THE SOLID MODEL FILE.



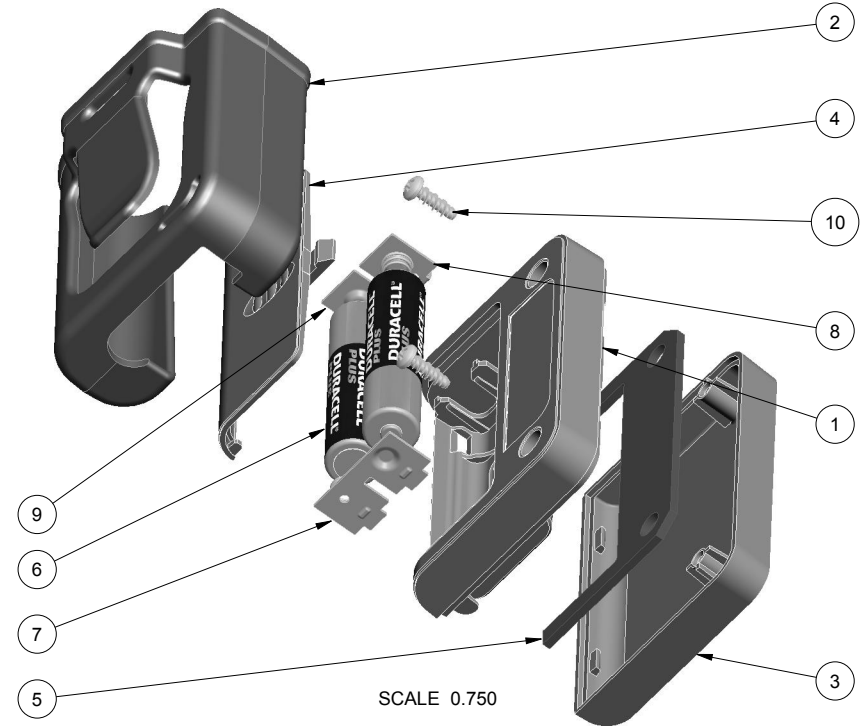
| 261707(x) CONFIGURATIONS |        |     |    |
|--------------------------|--------|-----|----|
|                          | -Blank | -BC | -K |
| 261707 COVER             | 1      |     | 1  |
| 261707 BASE              | 1      |     | 1  |
| 261707 HATCH             | 1      |     | 1  |
| 261707 BELT CLIP         |        | 1   | 1  |
| #4 HiLo SCREW .375"      | 2      |     | 2  |

| ITEM | FILE NAME             | DESCRIPTION             | MATERIAL        | COLOR             | QTY. |
|------|-----------------------|-------------------------|-----------------|-------------------|------|
| 10   | N04_HI-LO             | SCREW - HiLo #4         | No4 HiLo x 3/8" | ZINC PLATED       | 2    |
| 9    | AAA-SINGL-CONTACT-POS | ACC-AAAPOS-5226         | SOLD SEPERATELY | NICKEL PLATED     | 1    |
| 8    | AAA-SINGL-CONTACT-NEG | ACC-AAANEG-5204         | SOLD SEPERATELY | NICKEL PLATED     | 1    |
| 7    | AAA-DBL-CONTACT       | ACC-AAADBL-5214L        | SOLD SEPERATELY | NICKEL PLATED     | 1    |
| 6    | AAA-BATTERY           | AAA BATTERY             | REFERENCE       | CUSTOMER SUPPLIED | 2    |
| 5    | 261707-PCB            | 261707 PCB - REFERENCE  | .062" THICK     | CUSTOMER SUPPLIED | 1    |
| 4    | 261707-HATCH          | 261707 HATCH - STANDARD | ABS             | BLACK or WHITE    | 1    |
| 3    | 261707-COVER          | 261707 COVER - STANDARD | ABS             | BLACK or WHITE    | 1    |
| 2    | 261707-BELT-CLIP      | 261707 BELT CLIP        | ABS             | BLACK or WHITE    | 1    |
| 1    | 261707-BASE           | 261707 BASE - STANDARD  | ABS             | BLACK or WHITE    | 1    |

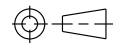
**BILL OF MATERIALS**

**R E V I S I O N**

| REV. | DRAWN BY | ECO No | DESCRIPTION                               | DATE      | APPROVED |
|------|----------|--------|---|-----------|----------|
| A    | M BOYER  | DR XXX | PRELIMINARY RELEASE                       | 17-May-13 | D.C.     |
| B    | M BOYER  |        | REVISE PART NUMBER AND REVISE PER MEETING | 25-Jun-13 | D.C.     |
| C    | R CRUZ   |        | ADD BELT CLIP INFORMATION                 | 18-Oct-13 | D.C.     |
| D    | M BOYER  |        | REVISE BELT CLIP                          | 11-Nov-13 | D.C.     |
| E    | M BOYER  |        | REVISE PER MEETING NOV 18 2013            | 19-Nov-13 | D.C.     |
| F    | R CRUZ   |        | UPDATE CONFIGURATION TABLE                | 27-May-14 | D.C.     |
| 1.0  | R CRUZ   | 0319   | UPDATE TO AS BUILT AND RELEASE            | 12-Jun-14 |          |



THIRD ANGLE PROJECTION



DO NOT SCALE DRAWING

TOLERANCES: UNLESS OTHERWISE SPECIFIED  
DIMENSIONS ARE IN U.S. INCHES.  
X.XX = .015 X.XXXX = .001  
X.XXX = .010 X.X" = 1"

NEW AGE ENCLOSURES

Customer's Part No: 261707

APPROVAL BY DATE

CHECK ENG.

SCALE AS NOTED

DRAWN BY M BOYER 17-May-13

**NEW AGE ENCLOSURES**

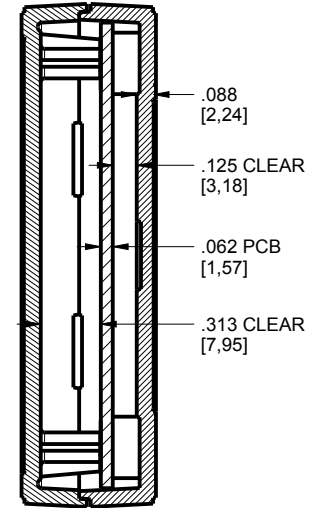
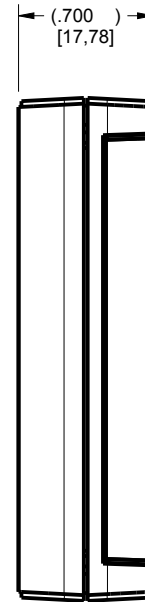
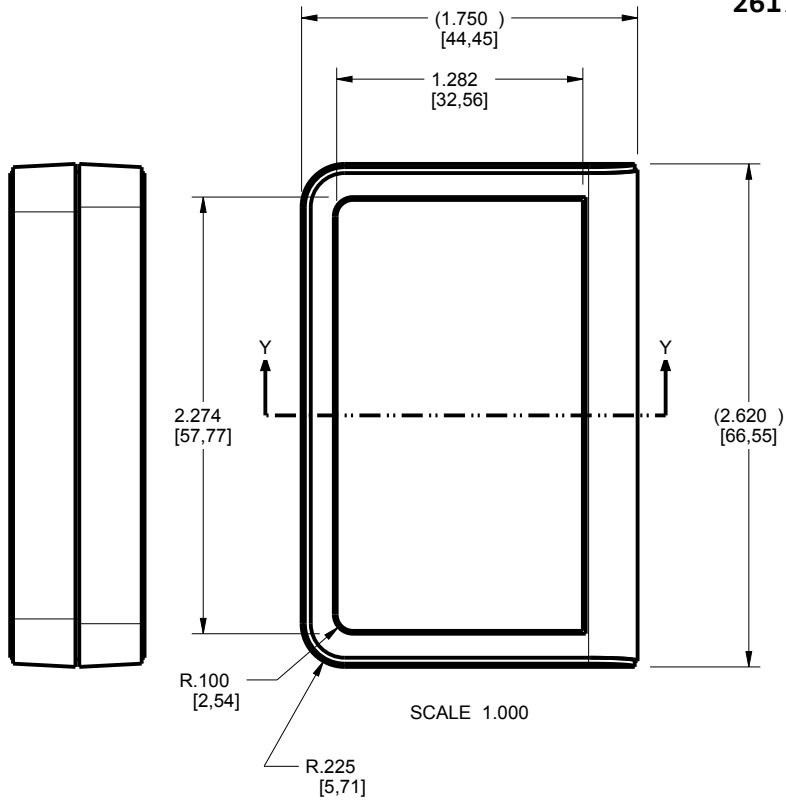
4330 Santa Fe Road San Luis Obispo, CA. 93401  
ph. (805) 595-1310 fax (805) 595-1024

www.newageenclosures.com

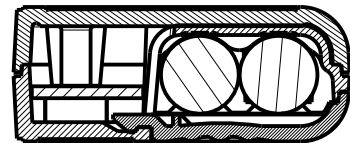
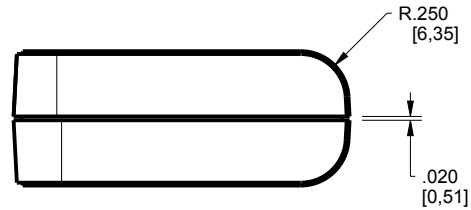
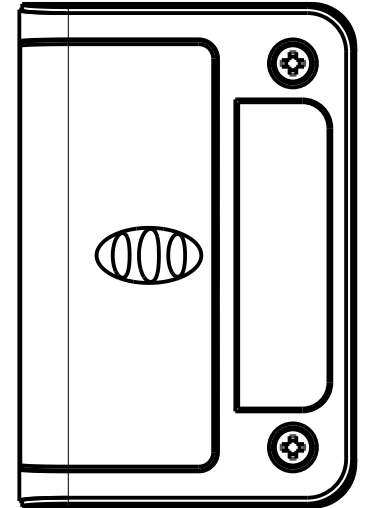
**STANDARD - AAA FOB  
SXX-261707-XXX**

SIZE A DRAWING NAME 261707\_R1\_0 SHEET 1 OF 8 REV.DOC 1.0

261707 ASSEMBLY



SECTION R-R



SECTION Y-Y

TOLERANCES: UNLESS OTHERWISE SPECIFIED  
DIMENSIONS ARE IN U.S. INCHES.  
X.XX = .015 X.XXXX = .001  
X.XXX = .010 X.X° = 1°

NEW AGE ENCLOSURES

Customer's Part No: 261707

APPROVAL BY DATE

CHECK

ENG.

SCALE AS NOTED

DRAWN BY M BOYER 17-May-13

**NEW AGE ENCLOSURES**

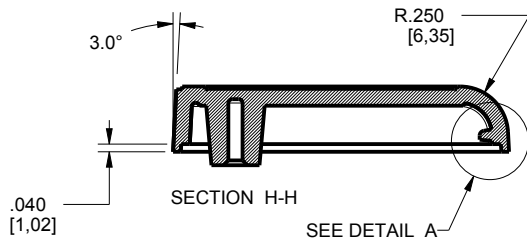
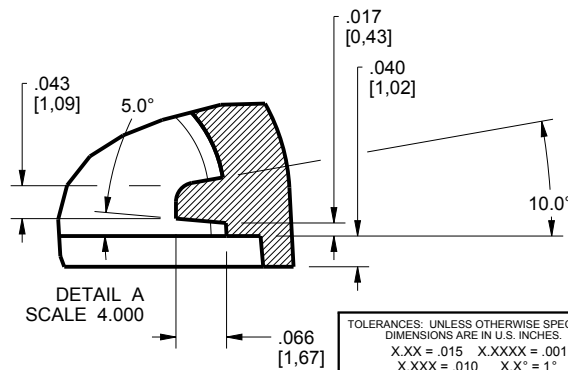
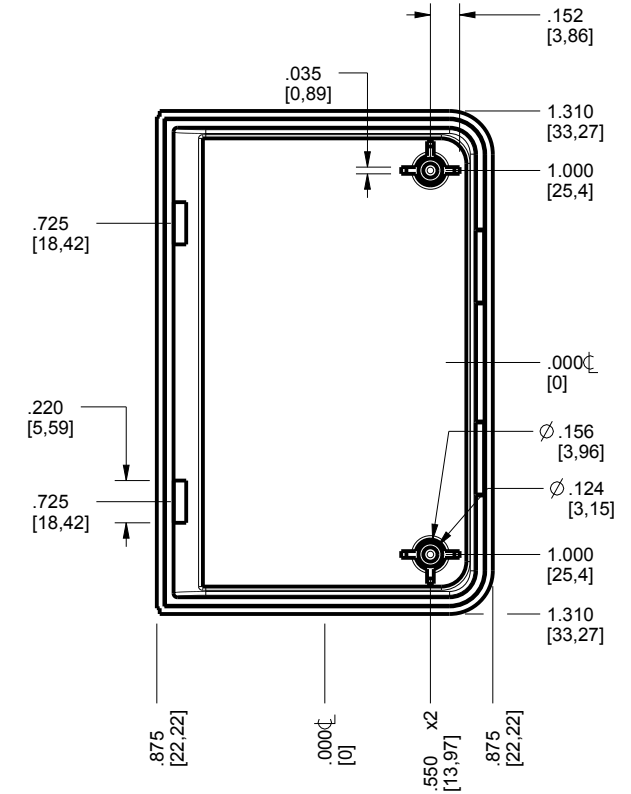
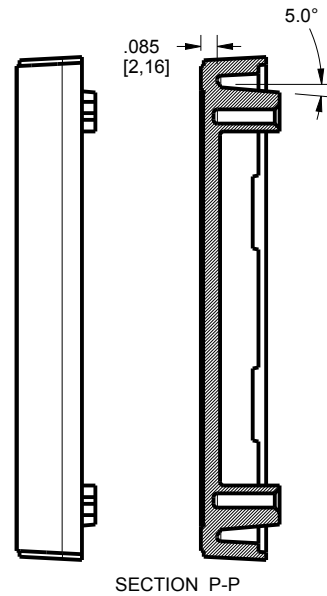
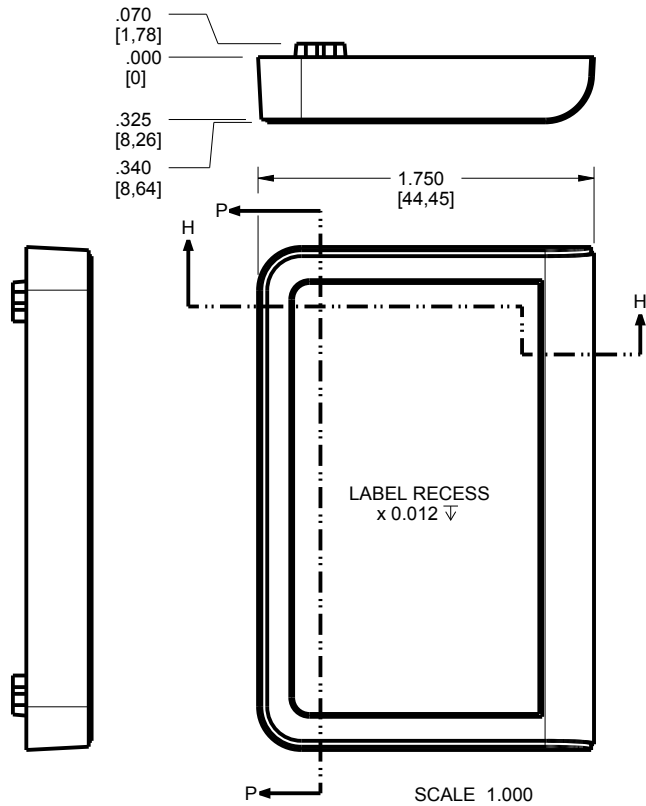
4330 Santa Fe Road San Luis Obispo, CA. 93401  
ph. (805) 595-1310 fax (805) 595-1024  
[www.newageenclosures.com](http://www.newageenclosures.com)

STANDARD - AAA FOB  
SXX-261707-XXX

SIZE A DRAWING NAME 261707\_R1\_0

SHEET 2 OF 8 REV.DOC 1.0

# 261707 COVER



TOLERANCES: UNLESS OTHERWISE SPECIFIED  
 DIMENSIONS ARE IN U.S. INCHES.  
 X.XX = .015 X.XXXX = .001  
 X.XXX = .010 X.X° = 1°

NEW AGE ENCLOSURES  
 Customer's Part No: 261707

APPROVAL BY DATE

CHECK

ENG.

SCALE AS NOTED

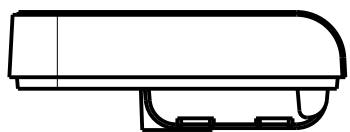
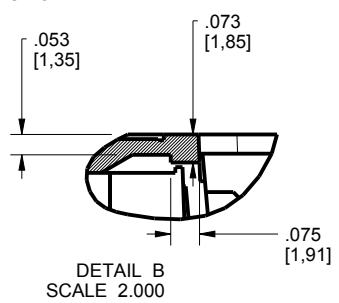
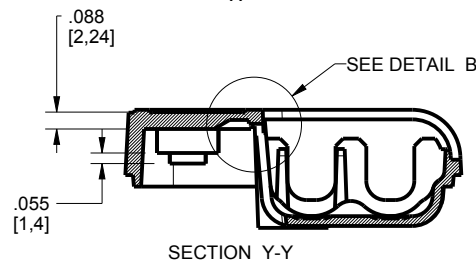
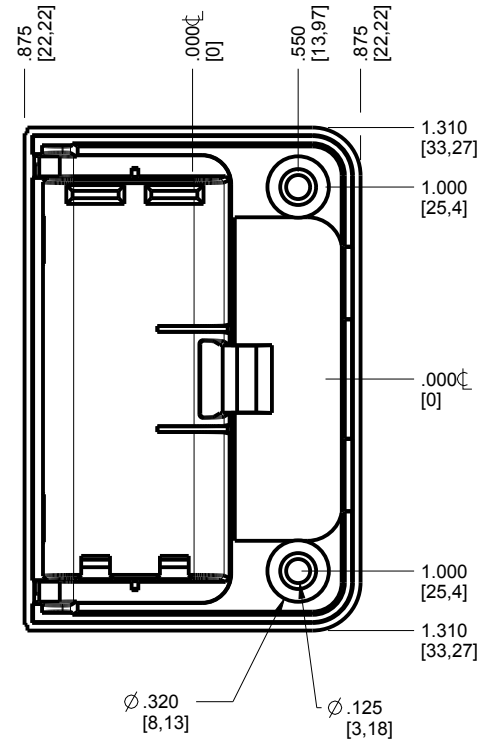
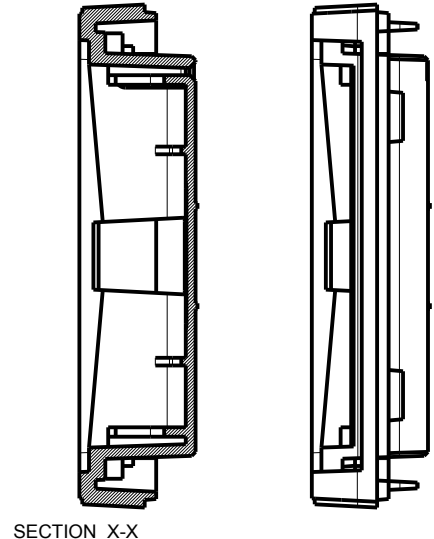
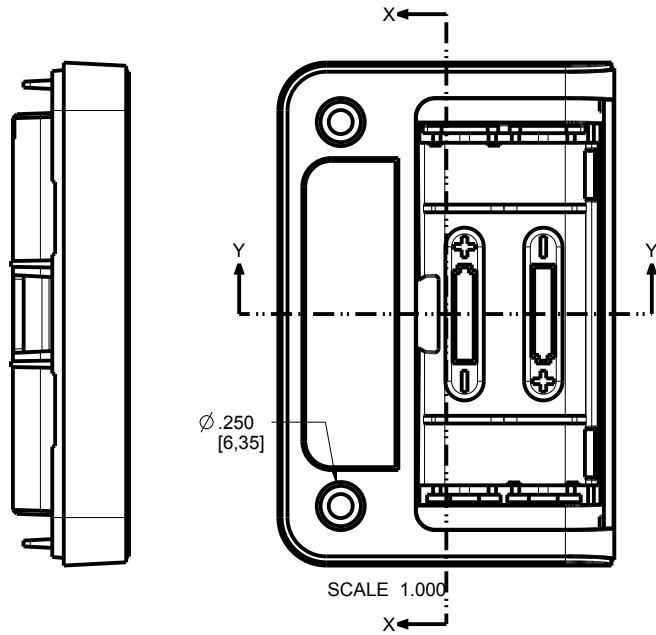
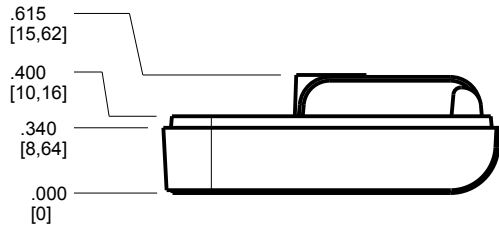
DRAWN BY M BOYER 17-May-13

**NEW AGE ENCLOSURES**  
 4330 Santa Fe Road San Luis Obispo, CA. 93401  
 ph. (805) 595-1310 fax (805) 595-1024  
[www.newageenclosures.com](http://www.newageenclosures.com)

**STANDARD - AAA FOB**  
**SXX-261707-XXX**

SIZE DRAWING NAME SHEET REV.DOC  
 A 261707\_R1\_0 3 OF 8 1.0

261707 BASE



TOLERANCES: UNLESS OTHERWISE SPECIFIED  
DIMENSIONS ARE IN U.S. INCHES.

X.XX = .015 X.XXXX = .001  
X.XXX = .010 X.X° = 1°

NEW AGE ENCLOSURES  
Customer's Part No: 261707

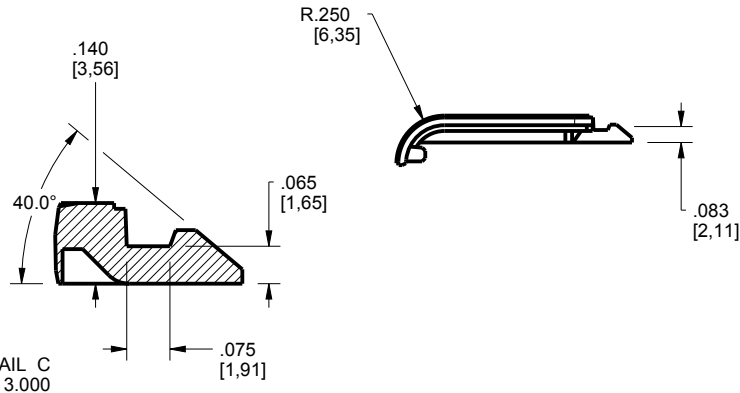
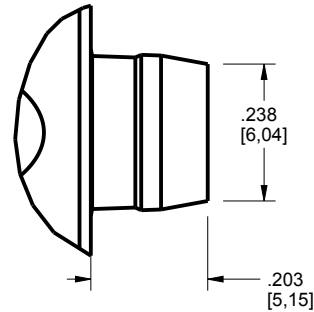
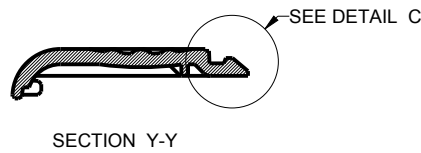
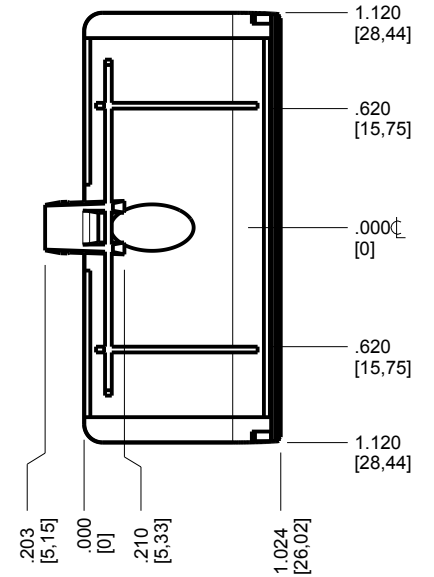
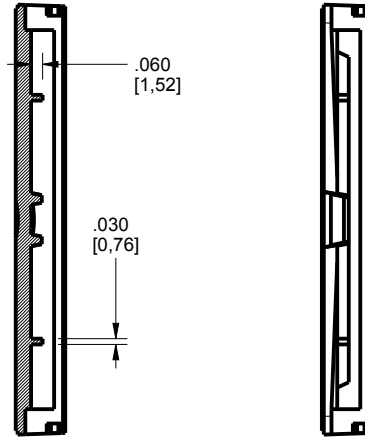
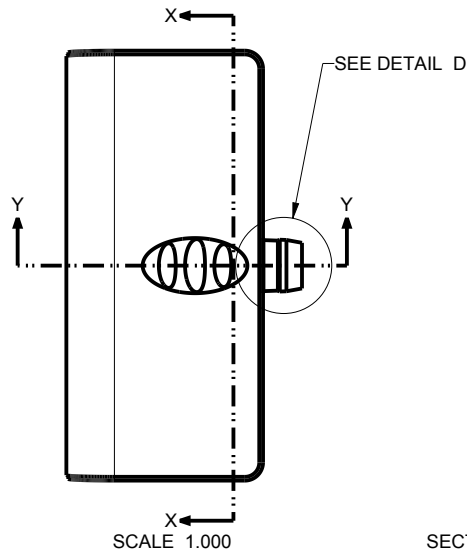
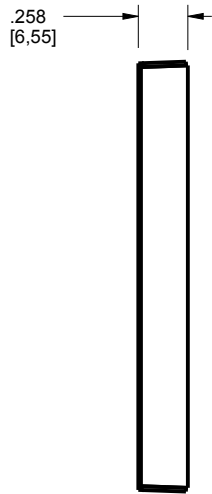
|          |           |      |
|----------|-----------|------|
| APPROVAL | BY        | DATE |
| CHECK    |           |      |
| ENG.     |           |      |
| SCALE    | AS NOTED  |      |
| DRAWN BY | M BOYER   |      |
|          | 17-May-13 |      |

**NEW AGE ENCLOSURES**  
4330 Santa Fe Road San Luis Obispo, CA. 93401  
ph. (805) 595-1310 fax (805) 595-1024  
[www.newageenclosures.com](http://www.newageenclosures.com)

**STANDARD - AAA FOB**  
**SXX-261707-XXX**

|      |              |        |         |
|------|--------------|--------|---------|
| SIZE | DRAWING NAME | SHEET  | REV.DOC |
| A    | 261707_R1_0  | 4 OF 8 | 1.0     |

# 261707 HATCH



TOLERANCES - UNLESS OTHERWISE SPECIFIED  
DIMENSIONS ARE IN U.S. INCHES.  
X.XX = .015 X.XXXX = .001  
X.XXX = .010 X.X° = 1°

NEW AGE ENCLOSURES  
Customer's Part No: 261707

|          |          |      |
|----------|----------|------|
| APPROVAL | BY       | DATE |
| CHECK    |          |      |
| ENG.     |          |      |
| SCALE    | AS NOTED |      |

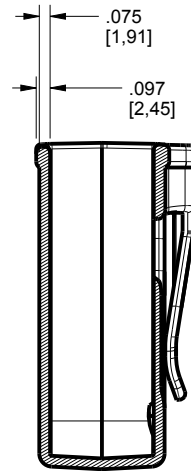
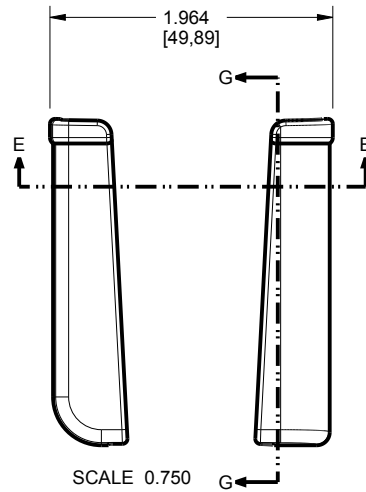
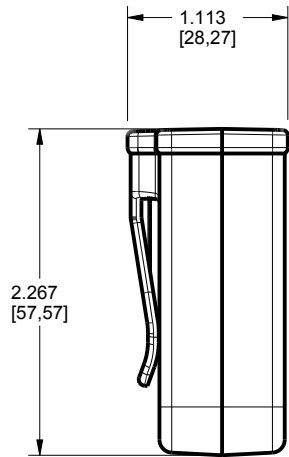
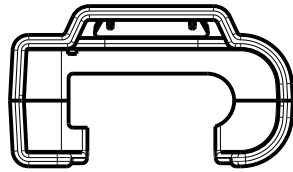
DRAWN BY  
M BOYER 17-May-13

**NEW AGE ENCLOSURES**  
4330 Santa Fe Road San Luis Obispo, CA. 93401  
ph. (805) 595-1310 fax (805) 595-1024  
[www.newageenclosures.com](http://www.newageenclosures.com)

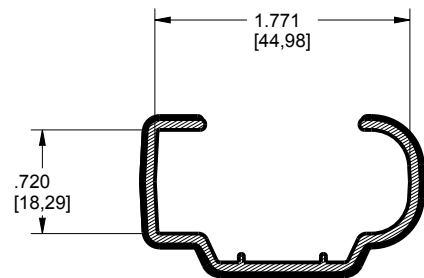
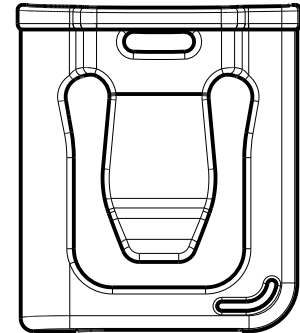
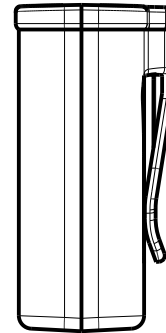
**STANDARD - AAA FOB**  
**SXX-261707-XXX**

|           |                             |                 |                |
|-----------|-----------------------------|-----------------|----------------|
| SIZE<br>A | DRAWING NAME<br>261707_R1_0 | SHEET<br>5 OF 8 | REV.DOC<br>1.0 |
|-----------|-----------------------------|-----------------|----------------|

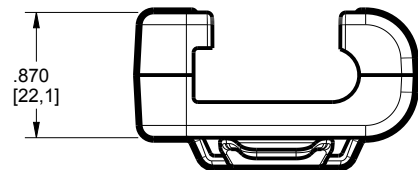
261707 BELT CLIP



SECTION G-G



SECTION E-E



|  |           |
|--|-----------|
| TOLERANCES: UNLESS OTHERWISE SPECIFIED<br>DIMENSIONS ARE IN U.S. INCHES. |           |
| X.XX = .015 X.XXXX = .001  |           |
| X.XXX = .010 X.X° = 1°   |           |
| NEW AGE ENCLOSURES   |           |
| Customer's Part No: 261707   |           |
| APPROVAL   | BY DATE   |
| CHECK  |           |
| ENG.   |           |
| SCALE  | AS NOTED  |
| DRAWN BY   |           |
| M BOYER  | 17-May-13 |

**NEW AGE ENCLOSURES**  
 4330 Santa Fe Road San Luis Obispo, CA. 93401  
 ph. (805) 595-1310 fax (805) 595-1024  
[www.newageenclosures.com](http://www.newageenclosures.com)

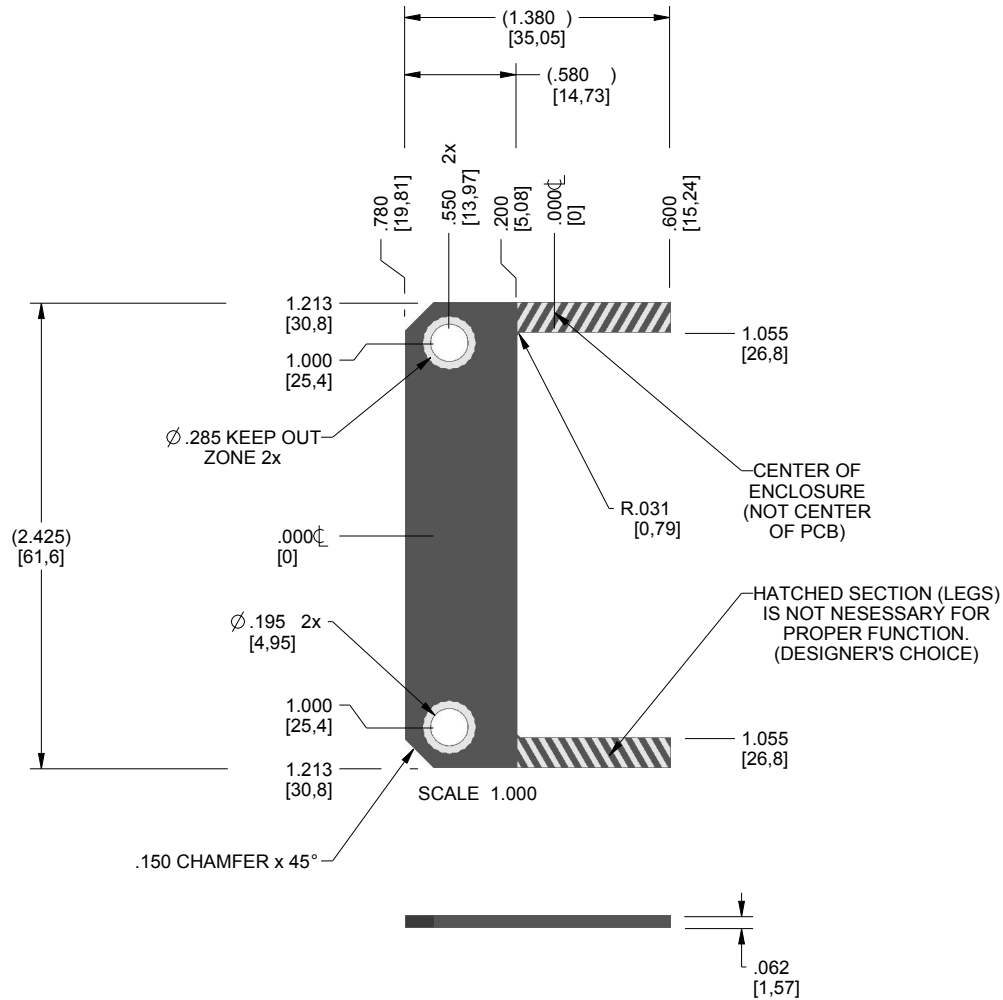
STANDARD - AAA FOB  
 SXX-261707-XXX

|      |              |        |         |
|------|--------------|--------|---------|
| SIZE | DRAWING NAME | SHEET  | REV.DOC |
| A    | 261707_R1_0  | 6 OF 8 | 1.0     |



# 261707 PCB - CUSTOMER SUPPLIED

PCB SIZES ARE RECOMMENDATIONS ONLY. FINAL SIZES AND VERIFICATION OF ITS FIT ARE THE SOLE RESPONSIBILITY OF THE OEM.



TOLERANCES: UNLESS OTHERWISE SPECIFIED  
DIMENSIONS ARE IN U.S. INCHES.  
X.XX = .015 X.XXXX = .001  
X.XXX = .010 X.X° = 1°

NEW AGE ENCLOSURES

Customer's Part No: 261707

|          |          |      |
|----------|----------|------|
| APPROVAL | BY       | DATE |
| CHECK    |          |      |
| ENG.     |          |      |
| SCALE    | AS NOTED |      |

DRAWN BY  
M BOYER 17-May-13

**NEW AGE ENCLOSURES**

4330 Santa Fe Road San Luis Obispo, CA. 93401  
ph. (805) 595-1310 fax (805) 595-1024  
[www.newageenclosures.com](http://www.newageenclosures.com)

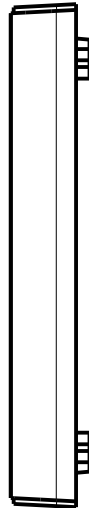
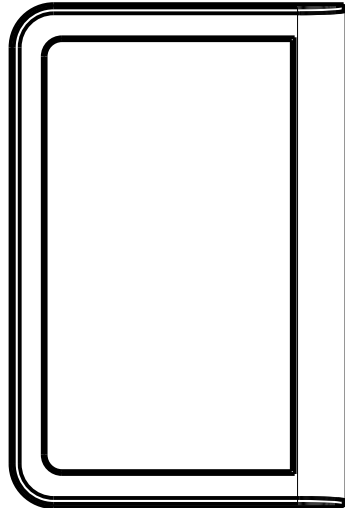
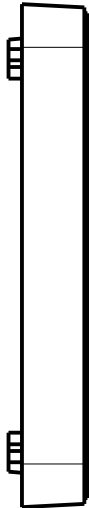
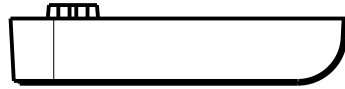
STANDARD - AAA FOB  
SXX-261707-XXX

SIZE A DRAWING NAME 261707\_R1\_0

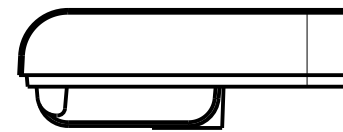
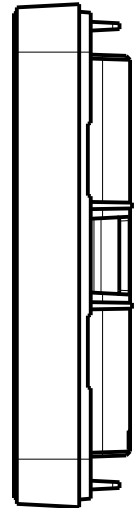
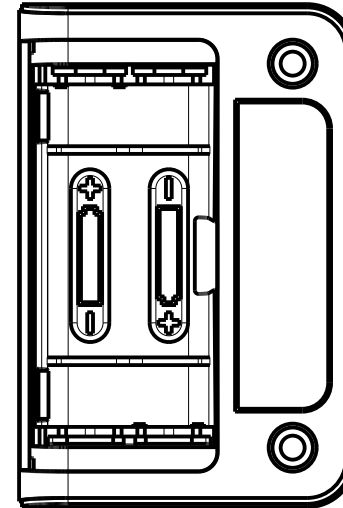
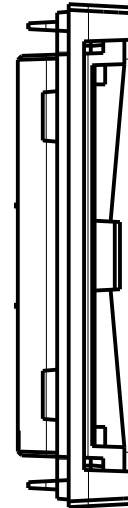
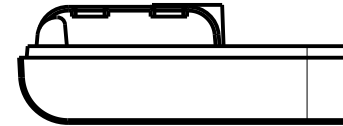
SHEET 7 OF 8 REV.DOC 1.0

### 261707 2nd OPERATION DETAILS

NEW AGE ENCLOSURES DELIVERS YOUR ENCLOSURE MARKET-READY WITH IN-HOUSE  
CNC MACHINING, PAD PRINTING, ASSEMBLY, AND FULFILLMENT.  
ALL SURFACES AND AREAS ARE AVAILABLE FOR CNC ALTERATION BY NEW AGE ENCLOSURES  
CALL (805) 595-1310 FOR PRICING AND SCHEDULE.  
THE INSIDE RADIUS OF ANY MACHINED FEATURES SHOULD BE NO SMALLER THAN .031"



261807 COVER  
SCALE 1.000



261807 BASE  
SCALE 1.000

#### SXX-261707-XXX COVER - ABS, BLACK

| STEP NO | DESCRIPTION | CUTTER        | FIXTURE | ORIENTATION | PROGRAM |
|---------|-------------|---------------|---------|-------------|---------|
| 1       |             | T2 = .062" EM | -       | SINGLE      |         |
| 2       |             | T2 = .062" EM | -       | -           |         |
| 3       |             | T2 = .062" EM | -       | -           |         |

TOLERANCES: UNLESS OTHERWISE SPECIFIED  
DIMENSIONS ARE IN U.S. INCHES.  
X.XX = .015 X.XXXX = .001  
X.XXX = .010 X.X° = 1°

NEW AGE ENCLOSURES

Customer's Part No: 261707

|          |           |      |
|----------|-----------|------|
| APPROVAL | BY        | DATE |
| CHECK    |           |      |
| ENG.     |           |      |
| SCALE    | AS NOTED  |      |
| DRAWN BY | M BOYER   |      |
|          | 17-May-13 |      |

**NEW AGE ENCLOSURES**

4330 Santa Fe Road San Luis Obispo, CA. 93401  
ph. (805) 595-1310 fax (805) 595-1024  
[www.newageenclosures.com](http://www.newageenclosures.com)

STANDARD - AAA FOB  
SXX-261707-XXX

|      |              |        |         |
|------|--------------|--------|---------|
| SIZE | DRAWING NAME | SHEET  | REV.DOC |
| A    | 261707_R1_0  | 8 OF 8 | 1.0     |

# Mouser Electronics

Authorized Distributor

Click to View Pricing, Inventory, Delivery & Lifecycle Information:

[New Age Enclosures:](#)

[S1A-261707](#) [3A-261707-BC](#) [1A-261707-BC](#) [S3A-261707](#) [S1A-261707-K](#) [S3A-261707-K](#)

Компания «Океан Электроники» предлагает заключение долгосрочных отношений при поставках импортных электронных компонентов на взаимовыгодных условиях!

Наши преимущества:

- Поставка оригинальных импортных электронных компонентов напрямую с производств Америки, Европы и Азии, а так же с крупнейших складов мира;
- Широкая линейка поставок активных и пассивных импортных электронных компонентов (более 30 млн. наименований);
- Поставка сложных, дефицитных, либо снятых с производства позиций;
- Оперативные сроки поставки под заказ (от 5 рабочих дней);
- Экспресс доставка в любую точку России;
- Помощь Конструкторского Отдела и консультации квалифицированных инженеров;
- Техническая поддержка проекта, помощь в подборе аналогов, поставка прототипов;
- Поставка электронных компонентов под контролем ВП;
- Система менеджмента качества сертифицирована по Международному стандарту ISO 9001;
- При необходимости вся продукция военного и аэрокосмического назначения проходит испытания и сертификацию в лаборатории (по согласованию с заказчиком);
- Поставка специализированных компонентов военного и аэрокосмического уровня качества (Xilinx, Altera, Analog Devices, Intersil, Interpoint, Microsemi, Actel, Aeroflex, Peregrine, VPT, Syfer, Eurofarad, Texas Instruments, MS Kennedy, Miteq, Cobham, E2V, MA-COM, Hittite, Mini-Circuits, General Dynamics и др.);

Компания «Океан Электроники» является официальным дистрибьютором и эксклюзивным представителем в России одного из крупнейших производителей разъемов военного и аэрокосмического назначения «**JONHON**», а так же официальным дистрибьютором и эксклюзивным представителем в России производителя высокотехнологичных и надежных решений для передачи СВЧ сигналов «**FORSTAR**».



## JONHON

«**JONHON**» (основан в 1970 г.)

Разъемы специального, военного и аэрокосмического назначения:

(Применяются в военной, авиационной, аэрокосмической, морской, железнодорожной, горно- и нефтедобывающей отраслях промышленности)

«**FORSTAR**» (основан в 1998 г.)

ВЧ соединители, коаксиальные кабели, кабельные сборки и микроволновые компоненты:

(Применяются в телекоммуникациях гражданского и специального назначения, в средствах связи, РЛС, а так же военной, авиационной и аэрокосмической отраслях промышленности).



Телефон: 8 (812) 309-75-97 (многоканальный)

Факс: 8 (812) 320-03-32

Электронная почта: [ocean@oceanchips.ru](mailto:ocean@oceanchips.ru)

Web: <http://oceanchips.ru/>

Адрес: 198099, г. Санкт-Петербург, ул. Калинина, д. 2, корп. 4, лит. А