

**PLEASE CHECK WWW.MOLEX.COM FOR LATEST PART INFORMATION**

**Part Number:** [0472720024](#)  
**Status:** **Active**  
**Overview:** [displayport](#)  
**Description:** 0.50mm (.020") Pitch DisplayPort\* Male Receptacle, Right Angle, SMT, 0.76µm (30µ") Gold (Au) Plating, 20 Circuits, with Cover, Latch Holes, Mylar, Peg, Solder Tab of Shell, without Flange, Leadfree

**Documents:**

[3D Model](#) [RoHS Certificate of Compliance \(PDF\)](#)  
[Drawing \(PDF\)](#)

**Agency Certification**

UL E29179

**General**

Product Family I/O Connectors  
 Series [47272](#)  
 Application Wire-to-Board  
 Comments Through Hole Peg of Shell  
 Component Type Receptacle  
 Overview [displayport](#)  
 Product Name DisplayPort\*  
 Type N/A

**Physical**

Boot Color N/A  
 Circuits (Loaded) 20  
 Circuits (maximum) 20  
 Color - Resin Black  
 Flammability 94V-0  
 Gender Male  
 Keying to Mating Part Yes  
 Lock to Mating Part Yes  
 Material - Metal Copper Alloy  
 Material - Plating Mating Gold  
 Material - Plating Termination Tin-Bismuth  
 Material - Resin High Temperature Thermoplastic  
 Number of Rows 2  
 Orientation Right Angle  
 PCB Locator Yes  
 PCB Retention Yes  
 Packaging Type Embossed Tape on Reel  
 Panel Mount Without Flange  
 Pitch - Mating Interface (in) 0.039 In  
 Pitch - Mating Interface (mm) 0.50 mm  
 Pitch - Term. Interface (in) 0.039 In  
 Pitch - Term. Interface (mm) 0.50 mm  
 Plating min: Mating (µin) 30  
 Plating min: Mating (µm) 0.76  
 Plating min: Termination (µin) 40  
 Plating min: Termination (µm) 1  
 Polarized to Mating Part Yes  
 Polarized to PCB Yes  
 Ports 1  
 Temperature Range - Operating -20°C to +85°C  
 Termination Interface: Style Surface Mount



image - Reference only

Series

**EU RoHS**

**ELV and RoHS Compliant**  
**REACH SVHC**  
 Not Reviewed  
**Halogen-Free Status**

**China RoHS**



**Need more information on product environmental compliance?**

Email [productcompliance@molex.com](mailto:productcompliance@molex.com)  
 For a multiple part number RoHS Certificate of Compliance, [click here](#)

Please visit the [Contact Us](#) section for any non-product compliance questions.

**Search Parts in this Series**

[47272Series](#)

**Mates With**

[47271](#) Plug Sub-Assemblies, [68783](#) Cable Series

Waterproof / Dustproof No

### **Electrical**

Current - Maximum per Contact 0.5A  
Grounding to Panel Yes  
Shielded Yes  
Voltage - Maximum 40V AC

### **Solder Process Data**

Duration at Max. Process Temperature (seconds) 3  
Lead-free Process Capability Reflow Capable (SMT only)  
Max. Cycles at Max. Process Temperature 2  
Process Temperature max. C 250

### **Material Info**

#### **Reference - Drawing Numbers**

Packaging Specification PK-47272-001  
Sales Drawing SD-47272-001

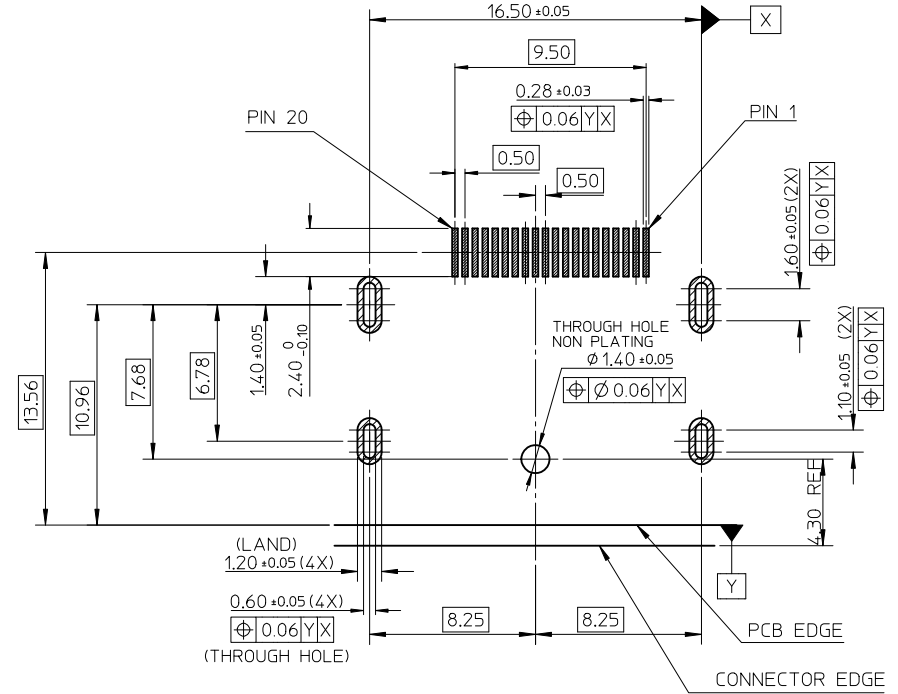
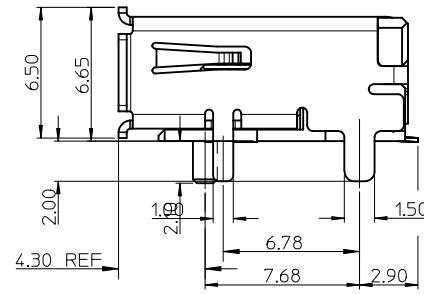
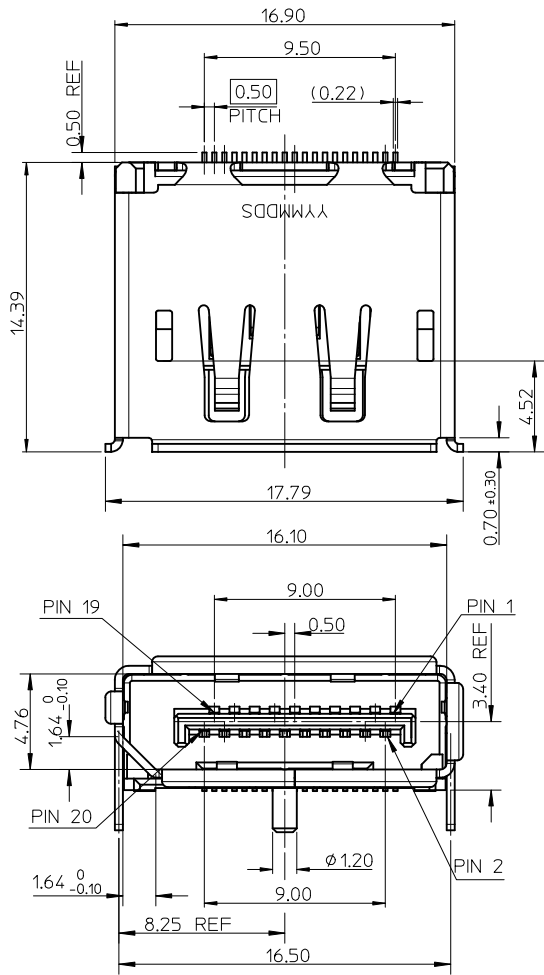
\* DisplayPort is a Trademark of VESA

This document was generated on 05/19/2010

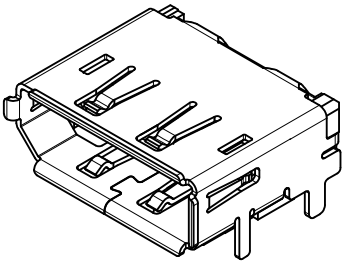
**PLEASE CHECK [WWW.MOLEX.COM](http://WWW.MOLEX.COM) FOR LATEST PART INFORMATION**

NOTES:

1. MATERIAL:
  - HOUSING: HIGH TEMPERATURE THERMAL PLASTIC, BLACK, 30% GLASS FILLED, UL94V-0.
  - TERMINAL: COPPER ALLOY.
  - SHELL: COPPER ALLOY.
2. PLATING:
  - TERMINAL: CONTACT AREA(1)0.76 MICROMETER GOLD PLATING
  - (2)0.38 MICROMETER GOLD PLATING
  - (3)GOLD FLASH PLATING
  - (4)0.64MIN. MICROMETER PALLADIUM/NICKEL AND GOLD FLASH PLATING
  - AND SOLDER TAIL 1-3 MICROMETER TIN BISMUTH UNDER PLATE1-3 MICROMETER NICKEL PLATING OVERALL.
  - SHELL:(a)1.27-2.54 MICROETER SOLDERABLE NICKEL PLATING OVERALL.
  - (b)SHELL PEG SOLDERING SURFACE PLATE GOLD FLASH UNDER PLATE1-3 MICROMETER NICKEL PLATING OVERALL.
  - (c) SHELL PLATE 2.1~3.0 MICROMETER TIN UNDER PLATE1.27~2.25 MICROERER NICKEL OVERALL
3. SOLDERTAIL COPLANARITY 0.10 MAX.
4. PS REFER TO PS-47272-001



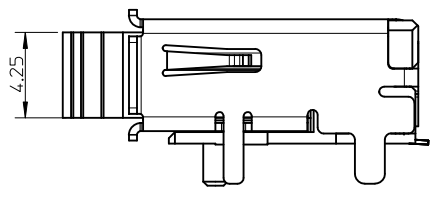
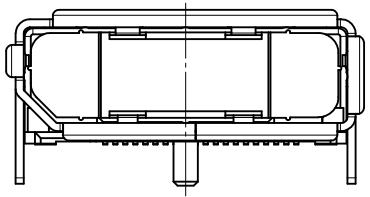
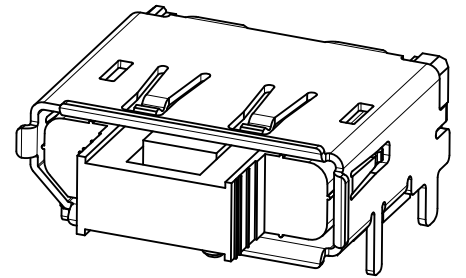
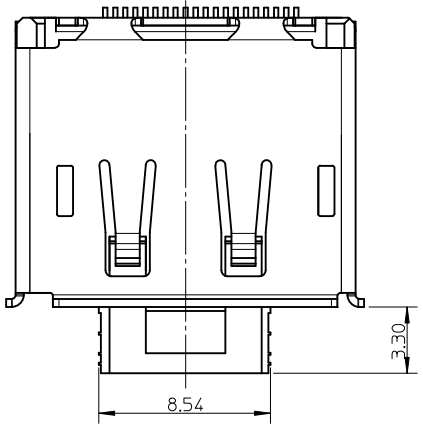
RECOMMENDED PCB LAYOUT (THICKNESS=1.6±0.15)



REVISED EC NO: SH2010-0353 DRWN: HHE CHKD: YANG05 APPR: RZHANG	DESCRIPTION 2010/03/08 2010/03/24 2010/03/29	QUALITY SYMBOLS $\nabla = 0$ $\nabla = 0$ $\nabla = 0$	GENERAL TOLERANCES (UNLESS SPECIFIED)		DIMENSION STYLE MM ONLY		SCALE 1:1	DESIGN UNITS METRIC	THIRD ANGLE PROJECTION			
			mm	INCH	DRAWN BY RZHANG	DATE 2005/07/01	TITLE 1.0MM PITCH DISPLAY PORT RECEPTACLE ASSEMBLY					
			4 PLACES	± ---	± ---	CHECKED BY IWANG	DATE 2005/07/01	MOLEX INCORPORATED				
			3 PLACES	± ---	± ---	APPROVED BY RZHANG	DATE 2010/03/26	DOCUMENT NO. SD-47272-001				
1 PLACE		± 0.25	± ---	ANGULAR ± 3 °		MATERIAL NO. SEE SHEETS 5		SHEET NO. 1 OF 8				
DRAFT WHERE APPLICABLE MUST REMAIN WITHIN DIMENSIONS			SIZE A3		THIS DRAWING CONTAINS INFORMATION THAT IS PROPRIETARY TO MOLEX INCORPORATED AND SHOULD NOT BE USED WITHOUT WRITTEN PERMISSION							

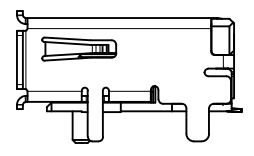
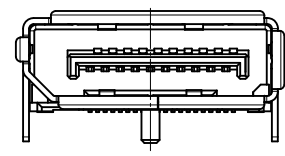
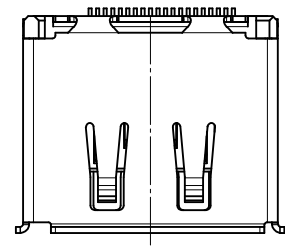
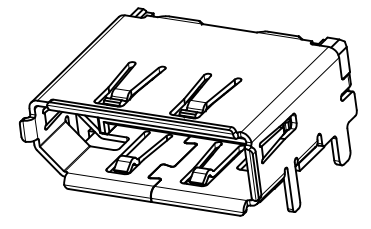
10 9 8 7 6 5 4 3 2 1

WITH COVER



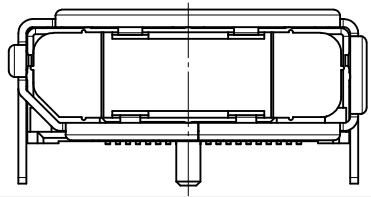
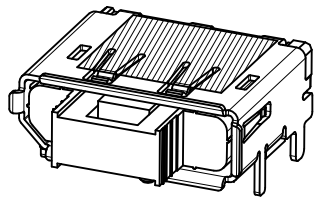
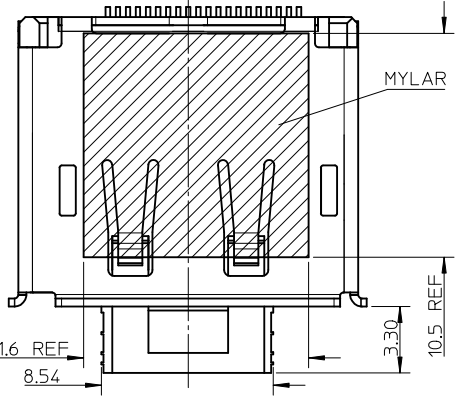
- NOTES:  
 1.UNSPECIFIED DIMENSION ARE SAME AS SHEET1  
 2.CONNECTOR WITH COVER IS USED FOR WARE SOLDERING PEG

WITHOUT LATCH HOLE



- NOTES:  
 1.UNSPECIFIED DIMENSION ARE SAME AS SHEET1

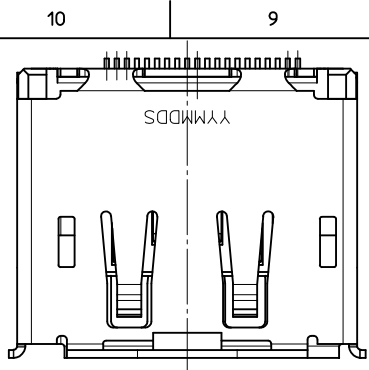
WITH COVER AND MYLAR



- NOTES:  
 1.UNSPECIFIED DIMENSION ARE SAME AS SHEET1  
 2.CONNECTOR WITH COVER IS USED FOR WARE SOLDERING PEG

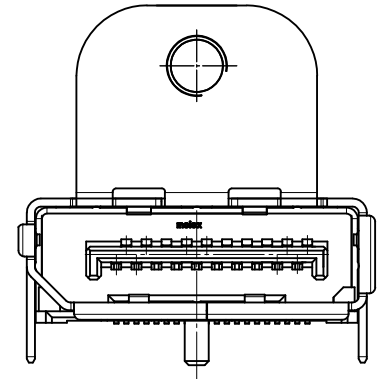
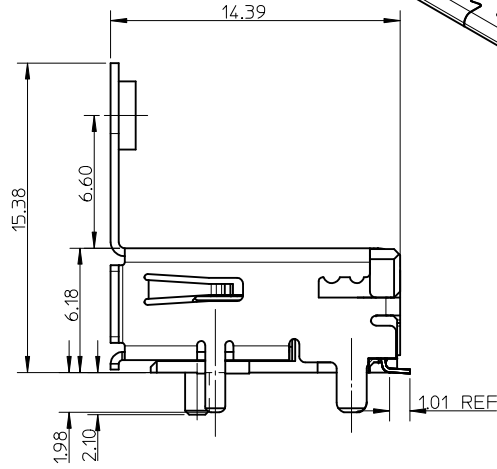
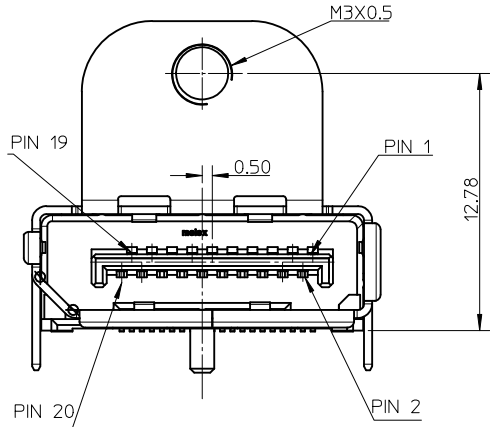
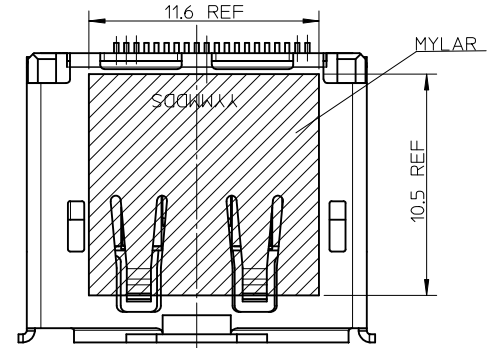
REVISED EC NO: SH2010-0353 DRW:HHH 2010/03/08 CHK:D:YANG05 2010/03/24 APPR:RZHANG 2010/03/29	DESCRIPTION REV	QUALITY SYMBOLS	GENERAL TOLERANCES (UNLESS SPECIFIED)		DIMENSION STYLE	SCALE	DESIGN UNITS	THIRD ANGLE PROJECTION
		$\nabla_F=0$	mm	INCH	MM ONLY	1:1	METRIC	
		$\nabla_F=0$	4 PLACES ± ---	± ---	DRAWN BY	DATE	TITLE	
		$\nabla_F=0$	3 PLACES ± ---	± ---	RZHANG	2005/07/01	1.0MM PITCH DISPLAY PORT RECEPTACLE ASSEMBLY	
		2 PLACES ± 0.25	± ---	CHECKED BY	DATE			
		1 PLACE ± 0.25	± ---	IWANG	2005/07/01			
		ANGULAR ± 3 °		APPROVED BY	DATE	MOLEX INCORPORATED		
		DRAFT WHERE APPLICABLE MUST REMAIN WITHIN DIMENSIONS		RZHANG	2010/03/26	DOCUMENT NO.	SD-47272-001	SHEET NO.
				SEE SHEETS 5				2 OF 8
				THIS DRAWING CONTAINS INFORMATION THAT IS PROPRIETARY TO MOLEX INCORPORATED AND SHOULD NOT BE USED WITHOUT WRITTEN PERMISSION				

9 8 7 6 5 4 3 2 1



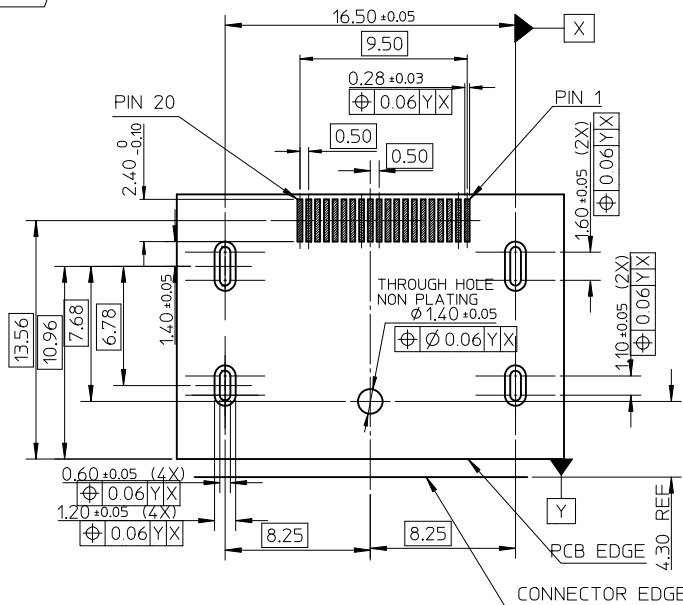
WITH FLANGE AND THROUGH HOLE PEG

WITH MYLAR



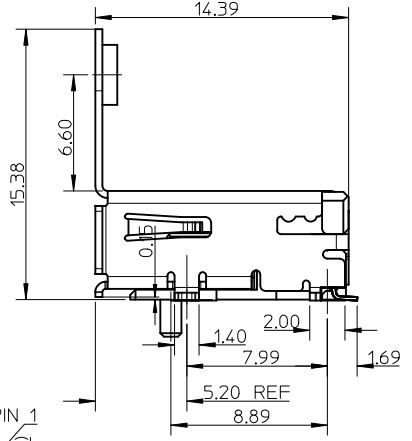
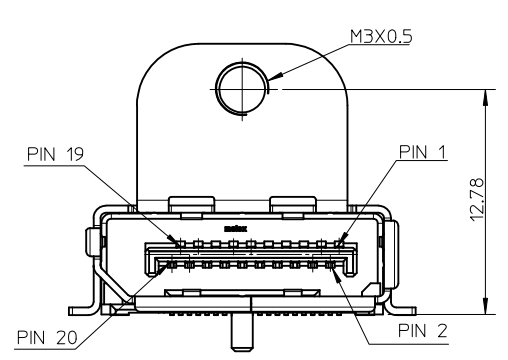
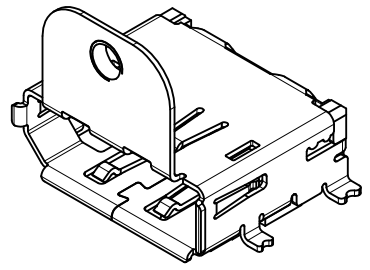
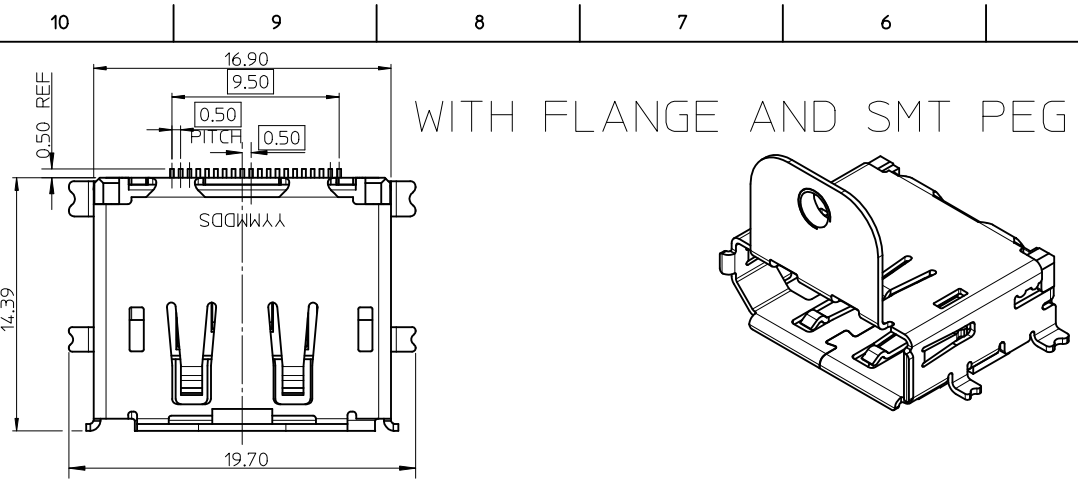
NOTES:  
UNSPECIFIED DIMENSION ARE SAME AS SHEET1

NOTES:  
UNSPECIFIED DIMENSION ARE SAME AS SHEET1

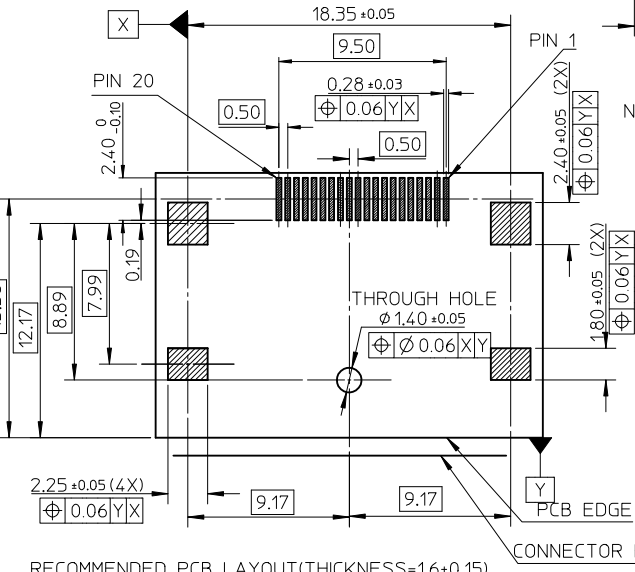


RECOMMENDED PCB LAYOUT (THICKNESS=1.6±0.15)

REVISED EC NO: SH2010-0353 DRW:HHH CHK:DFYANG05 APP:RZHANG	QUALITY SYMBOLS ▽=0 ▽=0 ▽=0	GENERAL TOLERANCES (UNLESS SPECIFIED)		DIMENSION STYLE MM ONLY		SCALE 1:1	DESIGN UNITS METRIC	THIRD ANGLE PROJECTION
		mm	INCH	DRAWN BY RZHANG	DATE 2005/07/01	TITLE 1.0MM PITCH DISPLAY PORT RECEPTACLE ASSEMBLY		
B	DESCRIPTION REV	4 PLACES	± ---	± ---	CHECKED BY IHWANG	DATE 2005/07/01	MOLEX INCORPORATED	
		3 PLACES	± ---	± ---	APPROVED BY RZHANG	DATE 2010/03/26	DOCUMENT NO. SD-47272-001	SHEET NO. 3 OF 8
		2 PLACES	± 0.25	± ---	SEE SHEETS 5			
		1 PLACE	± 0.25	± ---	THIS DRAWING CONTAINS INFORMATION THAT IS PROPRIETARY TO MOLEX INCORPORATED AND SHOULD NOT BE USED WITHOUT WRITTEN PERMISSION			
		ANGULAR ± 3 °						
		DRAFT WHERE APPLICABLE MUST REMAIN WITHIN DIMENSIONS						

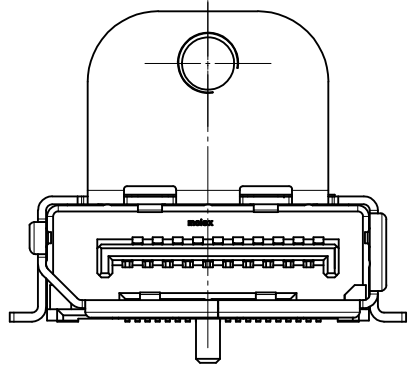
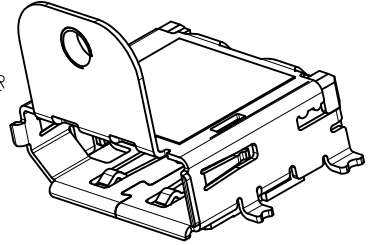
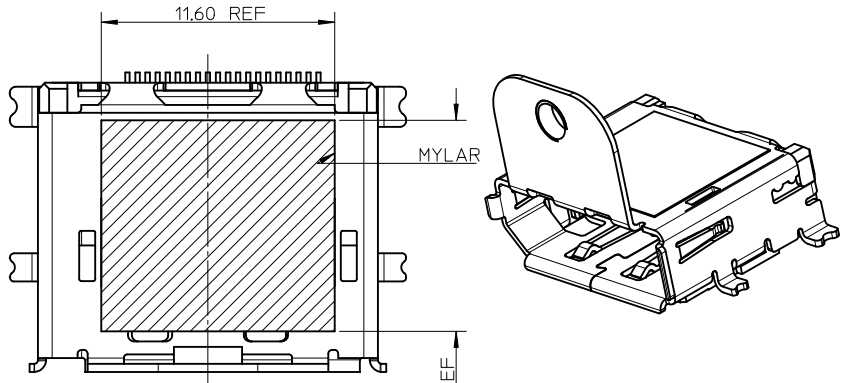


NOTES:  
UNSPECIFIED DIMENSION ARE SAME AS SHEET1



RECOMMENDED PCB LAYOUT (THICKNESS=1.6±0.15)

WITH FLANGE AND MYLAR



NOTES:  
1. UNSPECIFIED DIMENSION ARE SAME AS SHEET1  
2. THE RECOMMENDER PCB ARE SAME AS LEFT RECOMMENDER PCB

REVISED EC NO: SH2010-0353 DRW: HHE CHK: FYANG05 APP: RZHANG	DESCRIPTION 2010/03/08 2010/03/24 2010/03/29	QUALITY SYMBOLS	GENERAL TOLERANCES (UNLESS SPECIFIED)		DIMENSION STYLE	SCALE	DESIGN UNITS	THIRD ANGLE PROJECTION		
		▽ <sub>A</sub> =0 ▽ <sub>B</sub> =0 ▽ <sub>C</sub> =0	mm	INCH	MM ONLY	1:1	METRIC	10MM PITCH DISPLAY PORT RECEPTACLE ASSEMBLY		
			4 PLACES ± --- ± ---	DRAWN BY	DATE	TITLE	MOLEX INCORPORATED			
			3 PLACES ± --- ± ---	RZHANG	2005/07/01					
	2 PLACES ± 0.25 ± ---	CHECKED BY	DATE		DOCUMENT NO.		SHEET NO.			
	1 PLACE ± 0.25 ± ---	IWANG	2005/07/01		SD-47272-001		4 OF 8			
	ANGULAR ± 3 °	APPROVED BY	DATE	THIS DRAWING CONTAINS INFORMATION THAT IS PROPRIETARY TO MOLEX INCORPORATED AND SHOULD NOT BE USED WITHOUT WRITTEN PERMISSION						
		RZHANG	2010/03/26							
		MATERIAL NO.	SEE SHEETS 5							
			DRAFT WHERE APPLICABLE MUST REMAIN WITHIN DIMENSIONS							

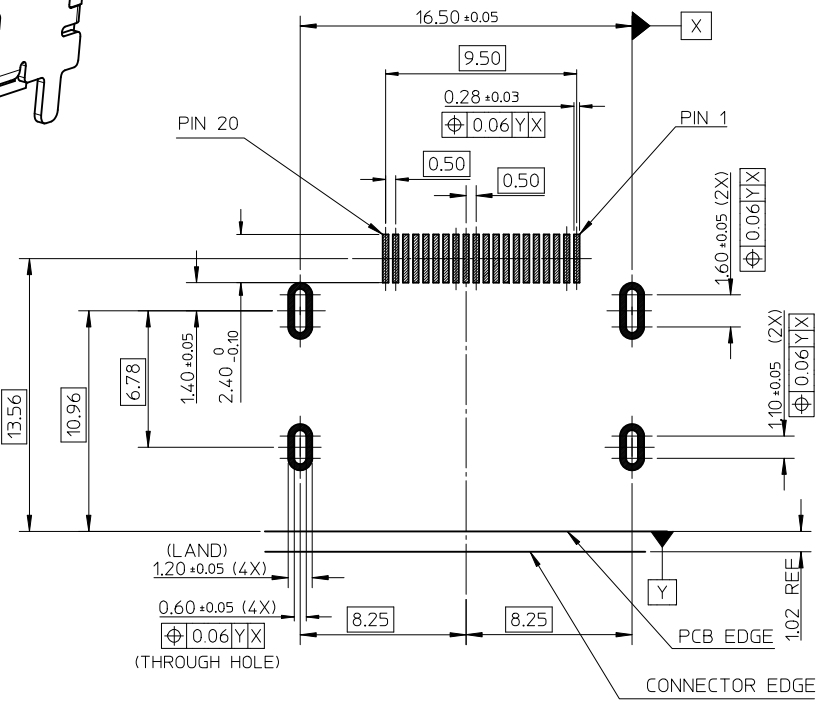
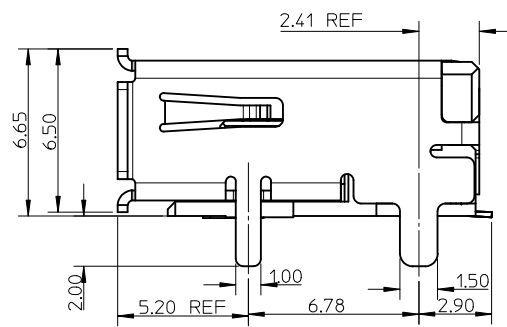
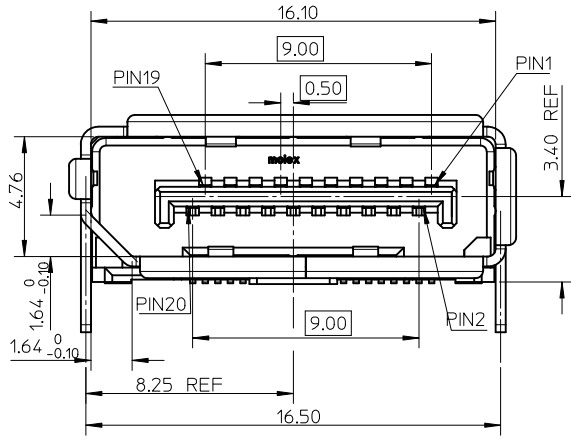
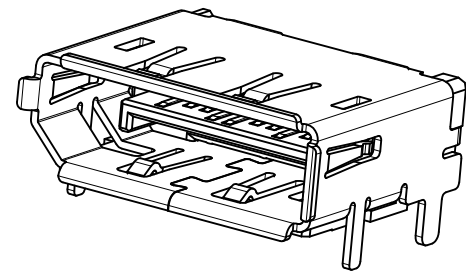
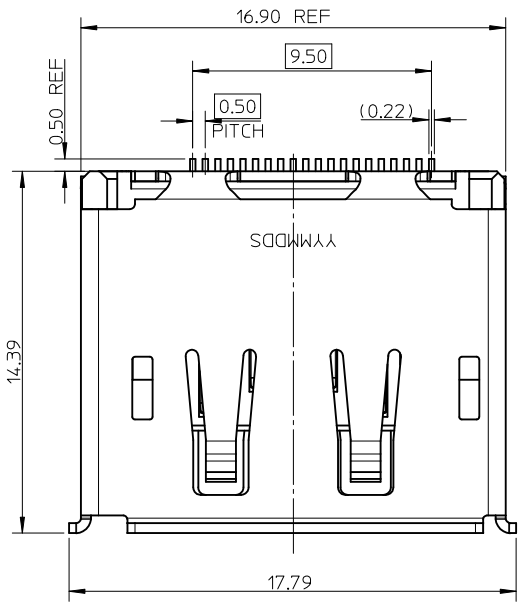
	10	9	8	7	6	5	4	3	2	1		
	ASSEMBLY NO.	WITH COVER	WITH FLANGE	SMT PEG OF SHELL	THROUGH HOLE PEG OF SHELL	PLATING IN CONTACT AREA	SHELL PLATING	WITH LATCH HOLE	MYLAR	POST	PACKAGE METHOD	REMARK
F	47272-0001	WITHOUT	WITHOUT	/	WITH	SEE NOTE2(1)	SEE NOTE2(a)	WITH	WITHOUT	WITH		WITH EMI SHELL FOR SHEET 1
	47272-0002	WITHOUT	WITHOUT	/	WITH	SEE NOTE2(1)	SEE NOTE2(a)	WITH	WITHOUT	WITH		
	47272-0011	WITHOUT	WITHOUT	/	WITH	SEE NOTE2(2)	SEE NOTE2(a)	WITH	WITHOUT	WITH		
	47272-0021	WITHOUT	WITHOUT	/	WITH	SEE NOTE2(3)	SEE NOTE2(a)	WITH	WITHOUT	WITH		
E	47272-0003	WITHOUT	WITHOUT	/	WITH	SEE NOTE2(1)	SEE NOTE2(a)	WITHOUT	WITHOUT	WITH		FOR SHEET 2
	47272-1002	WITH	WITHOUT	/	WITH	SEE NOTE2(1)	SEE NOTE2(a)	WITH	WITHOUT	WITH		
	47272-0012	WITH	WITHOUT	/	WITH	SEE NOTE2(2)	SEE NOTE2(a)	WITH	WITHOUT	WITH		
	47272-0022	WITH	WITHOUT	/	WITH	SEE NOTE2(3)	SEE NOTE2(a)	WITH	WITHOUT	WITH		
	47272-0024	WITH	WITHOUT	/	WITH	SEE NOTE2(1)	SEE NOTE2(a)	WITH	WITH	WITH		FOR SHEET 3
D	47272-0004	WITH	WITH	/	WITH	SEE NOTE2(1)	SEE NOTE2(c)	WITH	WITHOUT	WITH		
	47272-1004	WITHOUT	WITH	/	WITH	SEE NOTE2(1)	SEE NOTE2(c)	WITH	WITHOUT	WITH		
	47272-0025	WITHOUT	WITH	/	WITH	SEE NOTE2(1)	SEE NOTE2(c)	WITH	WITH	WITH		
	47272-0028	WITHOUT	WITH	/	WITH	SEE NOTE2(3)	SEE NOTE2(c)	WITH	WITH	WITH		FOR SHEET 4
C	47272-1005	WITHOUT	WITH	SMT PEG	/	SEE NOTE2(1)	SEE NOTE2(c)	WITH	WITHOUT	WITH		
	47272-0023	WITHOUT	WITH	SMT PEG	/	SEE NOTE2(1)	SEE NOTE2(c)	WITH	WITH	WITH		
	47272-0026	WITHOUT	WITHOUT	/	WITH	SEE NOTE2(1)	SEE NOTE2(a)	WITH	WITHOUT	WITHOUT		FOR SHEET 6
	47272-0027	WITH	WITH	/	WITH	SEE NOTE2(1)	SEE NOTE2(c)	WITH	WITH	WITH		FOR SHEET 7
	47272-0201	WITHOUT	WITHOUT	/	WITH	SEE NOTE2(4)	SEE NOTE2(a)	WITH	WITHOUT	WITH		FOR SHEET 1
	47272-0029	WITHOUT	WITHOUT	/	WITH	SEE NOTE2(1)	SEE NOTE2(a)	WITH	WITH	WITH		FOR SHEET 8

B

<b>REVISED</b> IEC NO: SH2010-0353 DRW:HHH 2010/03/08 CHKD:FYANG05 2010/03/24 APPR:RZHANG 2010/03/29	DESCRIPTION REV	QUALITY SYMBOLS	GENERAL TOLERANCES (UNLESS SPECIFIED)	DIMENSION STYLE	SCALE	DESIGN UNITS	THIRD ANGLE PROJECTION	
		$F_A=0$ $F_B=0$ $F_C=0$	mm    INCH 4 PLACES ± --- ± --- 3 PLACES ± --- ± --- 2 PLACES ± 0.25 ± --- 1 PLACE ± 0.25 ± --- ANGULAR ± 3°	MM ONLY	1:1	METRIC	DRAWN BY: RZHANG    DATE: 2005/07/01 CHECKED BY: IWANG    DATE: 2005/07/01 APPROVED BY: RZHANG    DATE: 2010/03/26	TITLE: 1.0MM PITCH DISPLAY PORT RECEPTACLE ASSEMBLY MOLEX INCORPORATED
			DRAFT WHERE APPLICABLE MUST REMAIN WITHIN DIMENSIONS	SEE CHART	MATERIAL NO. SD-47272-001 DOCUMENT NO. 5 OF 8	THIS DRAWING CONTAINS INFORMATION THAT IS PROPRIETARY TO MOLEX INCORPORATED AND SHOULD NOT BE USED WITHOUT WRITTEN PERMISSION		

10 9 8 7 6 5 4 3 2 1

WITHOUT POST



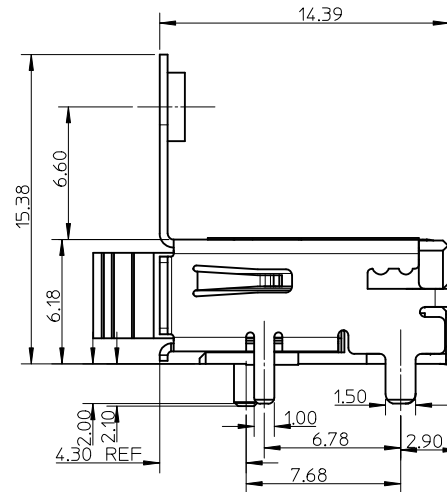
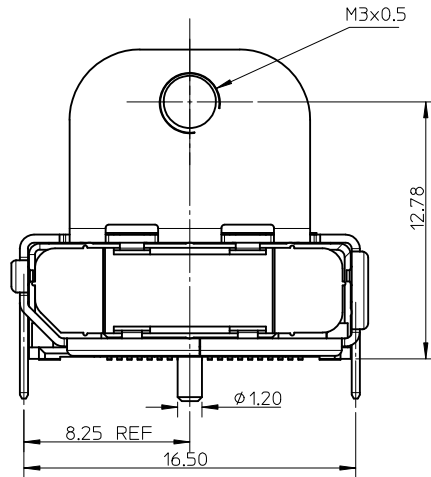
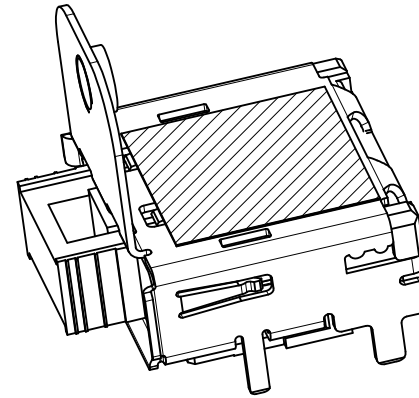
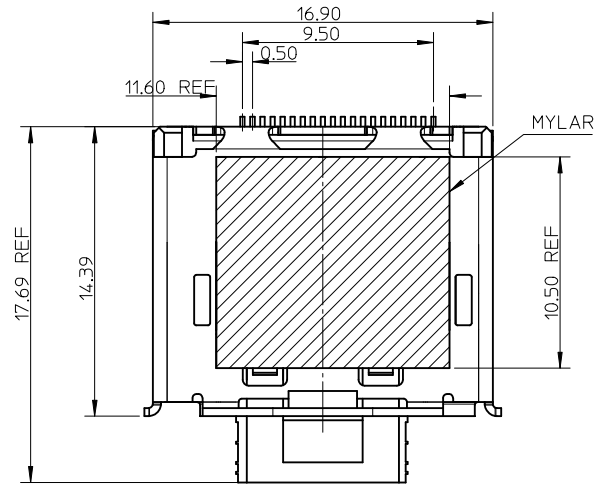
RECOMMENDED PCB LAYOUT (THICKNESS=1.6±0.15)

NOTES:  
UNSPECIFIED DIMENSION ARE SAME AS SHEET1

REVISED EC NO: SH2010-0353 DRW: HHE CHK: FYANG05 APPR: RZHANG	2010/03/08	QUALITY SYMBOLS ▽=0 ▽=0 ▽=0	GENERAL TOLERANCES (UNLESS SPECIFIED)		DIMENSION STYLE MM ONLY		SCALE 1:1	DESIGN UNITS METRIC	THIRD ANGLE PROJECTION		
	2010/03/24		mm	INCH	DRAWN BY RZHANG	DATE 2005/07/01	TITLE 1.0MM PITCH DISPLAY PORT RECEPTACLE ASSEMBLY				
	2010/03/29		4 PLACES ± --- ± ---	3 PLACES ± --- ± ---	2 PLACES ± 0.25 ± ---	1 PLACE ± 0.25 ± ---	CHECKED BY IWANG	DATE 2005/07/01	MOLEX INCORPORATED		
	ANGULAR ± 3 °		DRAFT WHERE APPLICABLE MUST REMAIN WITHIN DIMENSIONS		SEE SHEETS 5		APPROVED BY RZHANG	DATE 2010/03/26	DOCUMENT NO. SD-47272-001	SHEET NO. 6 OF 8	
SIZE A3	THIS DRAWING CONTAINS INFORMATION THAT IS PROPRIETARY TO MOLEX INCORPORATED AND SHOULD NOT BE USED WITHOUT WRITTEN PERMISSION										

9 8 7 6 5 4 3 2 1

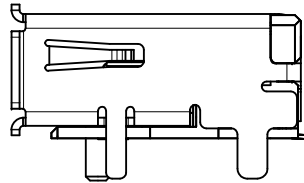
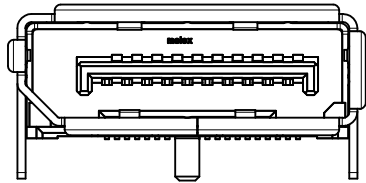
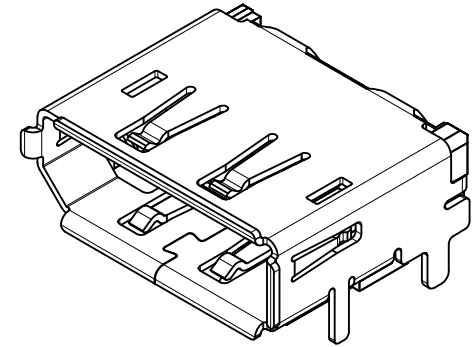
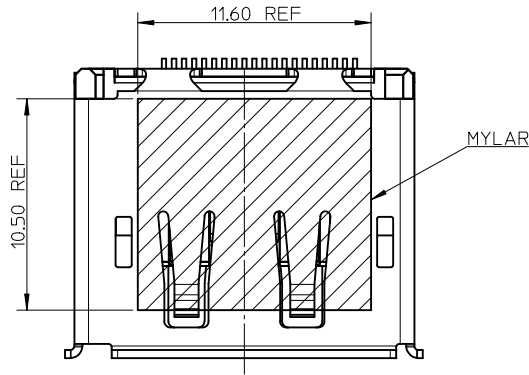




- NOTES:
1. UNSPECIFIC DIMENSION ARE SAME AS SHEET1
  2. THE RECOMMENDER PCB ARE SAME AS SHEET1

REVISED EC NO: SH2010-0353 DRW: HHE 2010/03/08 CHK: D-FYANG05 2010/03/24 APP: RZHANG 2010/03/29	DESCRIPTION REV	QUALITY SYMBOLS	GENERAL TOLERANCES (UNLESS SPECIFIED)		DIMENSION STYLE	SCALE	DESIGN UNITS	THIRD ANGLE PROJECTION		
			mm	INCH	MM ONLY	1:1	METRIC			
		$\nabla = 0$	4 PLACES ± ---	± ---	DRAWN BY	DATE	TITLE			
		$\nabla = 0$	3 PLACES ± ---	± ---	RZHANG	2005/07/01	1.0MM PITCH DISPLAY PORT RECEPTACLE ASSEMBLY			
	$\nabla = 0$	2 PLACES ± 0.25	± ---	CHECKED BY	DATE	MOLEX INCORPORATED				
	1 PLACE ± 0.25	± ---	IWANG	2005/07/01						
		ANGULAR ± 3 °		APPROVED BY	DATE	DOCUMENT NO.		SHEET NO.		
		DRAFT WHERE APPLICABLE MUST REMAIN WITHIN DIMENSIONS		RZHANG	2010/03/26	SD-47272-001		7 OF 8		
				MATERIAL NO.	SEE SHEETS 5					
				SIZE	THIS DRAWING CONTAINS INFORMATION THAT IS PROPRIETARY TO MOLEX INCORPORATED AND SHOULD NOT BE USED WITHOUT WRITTEN PERMISSION					
				A3						

STANDARD TYPE WITH MYLAR



NOTES:

- 1. UNSPECIFIC DIMENSION ARE SAME AS SHEET1
- 2. THE RECOMMENDER PCB ARE SAME AS SHEET1

REVISED EC NO: SH2010-0353 DRWN: HHE CHKD: FYANG05 APPR: RZHANG	2010/03/08 2010/03/24 2010/03/29	DESCRIPTION REV	QUALITY SYMBOLS $\nabla = 0$ $\nabla = 0$ $\nabla = 0$	GENERAL TOLERANCES (UNLESS SPECIFIED)		DIMENSION STYLE MM ONLY		SCALE 4:1	DESIGN UNITS METRIC	THIRD ANGLE PROJECTION		
				mm	INCH	DRAWN BY RZHANG	DATE 2005/07/01	TITLE 1.0MM PITCH DISPLAY PORT RECEPTACLE ASSEMBLY				
	4 PLACES			± ---	± ---	CHECKED BY IWANG	DATE 2005/07/01					
	3 PLACES			± ---	± ---	APPROVED BY RZHANG		DATE 2010/03/26	MOLEX INCORPORATED DOCUMENT NO. SD-47272-001			
2 PLACES	± 0.25	± ---	MATERIAL NO. SEE SHEETS 5		SHEET NO. 8 OF 8							
1 PLACE	± 0.25	± ---	DRAFT WHERE APPLICABLE MUST REMAIN WITHIN DIMENSIONS									
		ANGULAR ± 3 °		SIZE A3		THIS DRAWING CONTAINS INFORMATION THAT IS PROPRIETARY TO MOLEX INCORPORATED AND SHOULD NOT BE USED WITHOUT WRITTEN PERMISSION						

Компания «Океан Электроники» предлагает заключение долгосрочных отношений при поставках импортных электронных компонентов на взаимовыгодных условиях!

Наши преимущества:

- Поставка оригинальных импортных электронных компонентов напрямую с производств Америки, Европы и Азии, а так же с крупнейших складов мира;
- Широкая линейка поставок активных и пассивных импортных электронных компонентов (более 30 млн. наименований);
- Поставка сложных, дефицитных, либо снятых с производства позиций;
- Оперативные сроки поставки под заказ (от 5 рабочих дней);
- Экспресс доставка в любую точку России;
- Помощь Конструкторского Отдела и консультации квалифицированных инженеров;
- Техническая поддержка проекта, помощь в подборе аналогов, поставка прототипов;
- Поставка электронных компонентов под контролем ВП;
- Система менеджмента качества сертифицирована по Международному стандарту ISO 9001;
- При необходимости вся продукция военного и аэрокосмического назначения проходит испытания и сертификацию в лаборатории (по согласованию с заказчиком);
- Поставка специализированных компонентов военного и аэрокосмического уровня качества (Xilinx, Altera, Analog Devices, Intersil, Interpoint, Microsemi, Actel, Aeroflex, Peregrine, VPT, Syfer, Eurofarad, Texas Instruments, MS Kennedy, Miteq, Cobham, E2V, MA-COM, Hittite, Mini-Circuits, General Dynamics и др.);

Компания «Океан Электроники» является официальным дистрибьютором и эксклюзивным представителем в России одного из крупнейших производителей разъемов военного и аэрокосмического назначения «**JONHON**», а так же официальным дистрибьютором и эксклюзивным представителем в России производителя высокотехнологичных и надежных решений для передачи СВЧ сигналов «**FORSTAR**».



**JONHON**

«**JONHON**» (основан в 1970 г.)

Разъемы специального, военного и аэрокосмического назначения:

(Применяются в военной, авиационной, аэрокосмической, морской, железнодорожной, горно- и нефтедобывающей отраслях промышленности)

«**FORSTAR**» (основан в 1998 г.)

ВЧ соединители, коаксиальные кабели, кабельные сборки и микроволновые компоненты:

(Применяются в телекоммуникациях гражданского и специального назначения, в средствах связи, РЛС, а так же военной, авиационной и аэрокосмической отраслях промышленности).



Телефон: 8 (812) 309-75-97 (многоканальный)

Факс: 8 (812) 320-03-32

Электронная почта: [ocean@oceanchips.ru](mailto:ocean@oceanchips.ru)

Web: <http://oceanchips.ru/>

Адрес: 198099, г. Санкт-Петербург, ул. Калинина, д. 2, корп. 4, лит. А