



# 3.3V CMOS 1-TO-10 CLOCK DRIVER

IDT74FCT3807/A

## FEATURES:

- 0.5 MICRON CMOS Technology
- Guaranteed low skew < 350ps (max.)
- Very low duty cycle distortion < 350ps (max.)
- High speed: propagation delay < 3ns (max.)
- Very low CMOS power levels
- TTL compatible inputs and outputs
- 1:10 fanout
- Maximum output rise and fall time < 1.5ns (max.)
- Maximum operating frequency of 133.33MHz
- Low input capacitance: 4.5pF typical
- $V_{CC} = 3.3V \pm 0.3V$
- Inputs can be driven from 3.3V or 5V components
- Available in SSOP, SOIC, and QSOP packages

## DESCRIPTION:

The FCT3807/A 3.3V clock driver is built using advanced dual metal CMOS technology. This low skew clock driver offers 1:10 fanout. The large fanout from a single input reduces loading on the preceding driver and provides an efficient clock distribution network. The FCT3807/A offers low capacitance inputs with hysteresis for improved noise margins. Multiple power and grounds reduce noise. Typical applications are clock and signal distribution.

## FUNCTIONAL BLOCK DIAGRAM



## PIN CONFIGURATION



SOIC/ SSOP/ QSOP  
TOP VIEW

The IDT logo is a registered trademark of Integrated Device Technology, Inc.

COMMERCIAL/INDUSTRIAL TEMPERATURE RANGES

OCTOBER 2014

### ABSOLUTE MAXIMUM RATINGS<sup>(1)</sup>

Symbol	Description	Max	Unit
V <sub>TERM</sub> <sup>(2)</sup>	Terminal Voltage with Respect to GND	-0.5 to +4.6	V
V <sub>TERM</sub> <sup>(3)</sup>	Terminal Voltage with Respect to GND	-0.5 to +7	V
V <sub>TERM</sub> <sup>(4)</sup>	Terminal Voltage with Respect to GND	-0.5 to V <sub>CC</sub> +0.5	V
T <sub>STG</sub>	Storage Temperature	-65 to +150	°C
I <sub>OUT</sub>	DC Output Current	-60 to +60	mA

NOTES:

- Stresses greater than those listed under ABSOLUTE MAXIMUM RATINGS may cause permanent damage to the device. This is a stress rating only and functional operation of the device at these or any other conditions above those indicated in the operational sections of this specification is not implied. Exposure to absolute maximum rating conditions for extended periods may affect reliability.
- V<sub>CC</sub> terminals.
- Input terminals.
- Outputs and I/O terminals.

### CAPACITANCE (T<sub>A</sub> = +25°C, f = 1.0MHz)

Symbol	Parameter <sup>(1)</sup>	Conditions	Typ.	Max.	Unit
C <sub>IN</sub>	Input Capacitance	V <sub>IN</sub> = 0V	4.5	6	pF
C <sub>OUT</sub>	Output Capacitance	V <sub>OUT</sub> = 0V	5.5	8	pF

NOTE:

- This parameter is measured at characterization but not tested.

### PIN DESCRIPTION

Pin Names	Description
IN	Clock Inputs
Ox	Clock Outputs

### POWER SUPPLY CHARACTERISTICS

Symbol	Parameter	Test Conditions <sup>(1)</sup>	Min.	Typ. <sup>(2)</sup>	Max.	Unit
ΔI <sub>CC</sub>	Quiescent Power Supply Current TTL Inputs HIGH	V <sub>CC</sub> = Max. V <sub>IN</sub> = V <sub>CC</sub> - 0.6V <sup>(3)</sup>	—	10	30	μA
I <sub>CCD</sub>	Dynamic Power Supply Current <sup>(4)</sup>	V <sub>CC</sub> = Max. Input toggling 50% Duty Cycle Outputs Open	V <sub>IN</sub> = V <sub>CC</sub> V <sub>IN</sub> = GND	—	0.31	0.45 mA/ MHz
I <sub>C</sub>	Total Power Supply Current <sup>(6)</sup>	V <sub>CC</sub> = Max. Input toggling 50% Duty Cycle Outputs Open f <sub>i</sub> = 50MHz	V <sub>IN</sub> = V <sub>CC</sub> V <sub>IN</sub> = GND	—	15.5	22.8 mA
			V <sub>IN</sub> = V <sub>CC</sub> - 0.6V V <sub>IN</sub> = GND	—	15.5	22.8

NOTES:

- For conditions shown as Max. or Min., use appropriate value specified under Electrical Characteristics for the applicable device type.
- Typical values are at V<sub>CC</sub> = 3.3V, +25°C ambient.
- Per TTL driven input (V<sub>IN</sub> = V<sub>CC</sub> - 0.6V); all other inputs at V<sub>CC</sub> or GND.
- This parameter is not directly testable, but is derived for use in Total Power Supply calculations.
- Values for these conditions are examples of the I<sub>C</sub> formula. These limits are guaranteed but not tested.
- I<sub>C</sub> = I<sub>QUIESCENT</sub> + I<sub>INPUTS</sub> + I<sub>DYNAMIC</sub>  
 I<sub>C</sub> = I<sub>CC</sub> + ΔI<sub>CC</sub> D<sub>H</sub>N<sub>T</sub> + I<sub>CCD</sub> (f<sub>i</sub>)  
 I<sub>CC</sub> = Quiescent Current (I<sub>CC1</sub>, I<sub>CC2</sub> and I<sub>CC3</sub>)  
 ΔI<sub>CC</sub> = Power Supply Current for a TTL High Input (V<sub>IN</sub> = V<sub>CC</sub> - 0.6V)  
 D<sub>H</sub> = Duty Cycle for TTL Inputs High  
 N<sub>T</sub> = Number of TTL Inputs at D<sub>H</sub>  
 I<sub>CCD</sub> = Dynamic Current Caused by an Input Transition Pair (HLH or LHL)  
 f<sub>i</sub> = Input Frequency  
 All currents are in milliamps and all frequencies are in megahertz.

## DC ELECTRICAL CHARACTERISTICS OVER OPERATING RANGE

Following Conditions Apply Unless Otherwise Specified

Commercial:  $T_A = 0^{\circ}\text{C}$  to  $+70^{\circ}\text{C}$ , Industrial:  $T_A = -40^{\circ}\text{C}$  to  $+85^{\circ}\text{C}$ ,  $V_{CC} = 3.3\text{V} \pm 0.3\text{V}$

Symbol	Parameter	Test Conditions <sup>(1)</sup>	Min.	Typ.	Max.	Unit	
V <sub>IH</sub>	Input HIGH Level (Input pins)	Guaranteed Logic HIGH Level	2	—	5.5	V	
	Input HIGH Level (I/O pins)		2	—	V <sub>CC</sub> + 0.5		
V <sub>IL</sub>	Input LOW Level (Input and I/O pins)	Guaranteed Logic LOW Level	-0.5	—	0.8	V	
I <sub>IH</sub>	Input HIGH Current (Input pins)	V <sub>CC</sub> = Max.	V <sub>I</sub> = 5.5V	—	—	±1	μA
	Input HIGH Current (I/O pins)		V <sub>I</sub> = V <sub>CC</sub>	—	—	±1	
I <sub>IL</sub>	Input LOW Current (Input pins)	V <sub>CC</sub> = Max.	V <sub>I</sub> = GND	—	—	±1	
	Input LOW Current (I/O pins)		V <sub>I</sub> = GND	—	—	±1	
I <sub>OZH</sub>	High Impedence Output Current (3-State Output Pins)	V <sub>CC</sub> = Max.	V <sub>O</sub> = V <sub>CC</sub>	—	—	±1	μA
I <sub>OZL</sub>			V <sub>O</sub> = GND	—	—	±1	
V <sub>IK</sub>	Clamp Diode Voltage	V <sub>CC</sub> = Min., I <sub>IN</sub> = -18mA	—	-0.7	-1.2	V	
I <sub>ODH</sub>	Output HIGH Current	V <sub>CC</sub> = 3.3V, V <sub>IN</sub> = V <sub>IH</sub> or V <sub>IL</sub> , V <sub>O</sub> = 1.5V <sup>(3)</sup>	-36	-60	-110	mA	
I <sub>ODL</sub>	Output LOW Current	V <sub>CC</sub> = 3.3V, V <sub>IN</sub> = V <sub>IH</sub> or V <sub>IL</sub> , V <sub>O</sub> = 1.5V <sup>(3)</sup>	50	90	200	mA	
V <sub>OH</sub>	Output HIGH Voltage	V <sub>CC</sub> = Min. V <sub>IN</sub> = V <sub>IH</sub> or V <sub>IL</sub>	I <sub>OH</sub> = -0.1mA	V <sub>CC</sub> -0.2	—	—	V
			I <sub>OH</sub> = -8mA	2.4 <sup>(5)</sup>	3	—	
V <sub>OL</sub>	Output LOW Voltage	V <sub>CC</sub> = Min. V <sub>IN</sub> = V <sub>IH</sub> or V <sub>IL</sub>	I <sub>OL</sub> = 0.1mA	—	—	0.2	V
			I <sub>OL</sub> = 16mA	—	0.2	0.4	
			I <sub>OL</sub> = 24mA	—	0.3	0.5	
I <sub>OFF</sub>	Input Power Off Leakage	V <sub>CC</sub> = 0V, V <sub>IN</sub> = 4.5V	—	—	±1	μA	
I <sub>OS</sub>	Short Circuit Current <sup>(4)</sup>	V <sub>CC</sub> = Max., V <sub>O</sub> = GND <sup>(3)</sup>	-60	-135	-240	mA	
V <sub>H</sub>	Input Hysteresis	—	—	150	—	mV	
I <sub>CC1</sub>	Quiescent Power Supply Current	V <sub>CC</sub> = Max. V <sub>IN</sub> = GND or V <sub>CC</sub>	—	0.1	10	μA	
I <sub>CC2</sub>							
I <sub>CC3</sub>							

### NOTES:

1. For conditions shown as Max. or Min., use appropriate value specified under Electrical Characteristics for the applicable device type.
2. Typical values are at V<sub>CC</sub> = 3.3V, +25°C ambient.
3. Not more than one output should be shorted at one time. Duration of the test should not exceed one second.
4. This parameter is guaranteed but not tested.
5. V<sub>OH</sub> = V<sub>CC</sub> - 0.6V at rated current.

**SWITCHING CHARACTERISTICS OVER OPERATING RANGE - COMMERCIAL<sup>(3,4)</sup>**

Symbol	Parameter	Conditions <sup>(1)</sup>	FCT3807		FCT3807A		Unit
			Min. <sup>(2)</sup>	Max.	Min. <sup>(2)</sup>	Max.	
t <sub>PLH</sub> t <sub>PHL</sub>	Propagation Delay	50Ω to V <sub>CC</sub> /2 C <sub>L</sub> = 10pF	1.5	3.5	1.5	3	ns
t <sub>R</sub>	Output Rise Time (0.8 to 2V)	(See figure 1)	—	1.5	—	1.5	ns
t <sub>F</sub>	Output Fall Time (0.8 to 2V)	or 10Ω AC termination,	—	1.5	—	1.5	ns
tsk(O)	Output skew: skew between outputs of same package (same transition)	C <sub>L</sub> = 50pF	—	0.5	—	0.35	ns
tsk(P)	Pulse skew: skew between opposite transitions of same output ( t <sub>PHL</sub> – t <sub>PLH</sub>  )	(See figure 2) f ≤ 100MHz	—	0.5	—	0.35	ns
tsk(T)	Package skew: skew between outputs of different packages at same power supply voltage, temperature, package type and speed grade	Outputs connected in groups of two	—	0.9	—	0.65	ns

Symbol	Parameter	Conditions <sup>(1)</sup>	FCT3807		FCT3807A		Unit
			Min. <sup>(2)</sup>	Max.	Min. <sup>(2)</sup>	Max.	
t <sub>PLH</sub> t <sub>PHL</sub>	Propagation Delay	C <sub>L</sub> = 30pF f ≤ 67MHz	1.5	4.5	1.5	4	ns
t <sub>R</sub>	Output Rise Time (0.8 to 2V)	(See figure 3)	—	1.5	—	1.5	ns
t <sub>F</sub>	Output Fall Time (0.8 to 2V)		—	1.5	—	1.5	ns
tsk(O)	Output skew: skew between outputs of same package (same transition)		—	0.5	—	0.35	ns
tsk(P)	Pulse skew: skew between opposite transitions of same output ( t <sub>PHL</sub> – t <sub>PLH</sub>  )		—	0.5	—	0.35	ns
tsk(T)	Package skew: skew between outputs of different packages at same power supply voltage, temperature, package type and speed grade		—	1	—	0.75	ns

Symbol	Parameter	Conditions <sup>(1)</sup>	FCT3807		FCT3807A		Unit
			Min. <sup>(2)</sup>	Max.	Min. <sup>(2)</sup>	Max.	
t <sub>PLH</sub> t <sub>PHL</sub>	Propagation Delay	C <sub>L</sub> = 50pF f ≤ 40MHz	1.5	4.8	1.5	4.3	ns
t <sub>R</sub>	Output Rise Time (0.8 to 2V)	(See figure 4)	—	1.5	—	1.5	ns
t <sub>F</sub>	Output Fall Time (0.8 to 2V)		—	1.5	—	1.5	ns
tsk(O)	Output skew: skew between outputs of same package (same transition)		—	0.5	—	0.35	ns
tsk(P)	Pulse skew: skew between opposite transitions of same output ( t <sub>PHL</sub> – t <sub>PLH</sub>  )		—	0.5	—	0.35	ns
tsk(T)	Package skew: skew between outputs of different packages at same power supply voltage, temperature, package type and speed grade		—	1	—	0.75	ns

NOTES:

1. See test circuits and waveforms.
2. Minimum limits are guaranteed but not tested on Propagation Delays.
3. t<sub>PLH</sub>, t<sub>PHL</sub>, tsk(t) are production tested. All other parameters guaranteed but not production tested.
4. Propagation delay range indicated by Min. and Max. limit is due to V<sub>CC</sub>, operating temperature and process parameters. These propagation delay limits do not imply skew.

**SWITCHING CHARACTERISTICS OVER OPERATING RANGE - INDUSTRIAL (3,4)**

Symbol	Parameter	Conditions <sup>(1)</sup>	FCT3807		FCT3807A		Unit
			Min. <sup>(2)</sup>	Max.	Min. <sup>(2)</sup>	Max.	
t <sub>PLH</sub> t <sub>PHL</sub>	Propagation Delay	50Ω to V <sub>CC</sub> /2 C <sub>L</sub> = 10pF	1.5	3.5	1.5	3	ns
t <sub>R</sub>	Output Rise Time (0.8 to 2V)	(See figure 1)	—	1.5	—	1.5	ns
t <sub>F</sub>	Output Fall Time (0.8 to 2V)	or 50Ω AC termination,	—	1.5	—	1.5	ns
tsk(O)	Output skew: skew between outputs of same package (same transition)	C <sub>L</sub> = 10pF	—	0.6	—	0.45	ns
tsk(P)	Pulse skew: skew between opposite transitions of same output ( t <sub>PHL</sub> – t <sub>PLH</sub>  )	(See figure 2) f ≤ 100MHz	—	0.6	—	0.45	ns
tsk(T)	Package skew: skew between outputs of different packages at same power supply voltage, temperature, package type and speed grade	Outputs connected in groups of two	—	0.9	—	0.65	ns

Symbol	Parameter	Conditions <sup>(1)</sup>	FCT3807		FCT3807A		Unit
			Min. <sup>(2)</sup>	Max.	Min. <sup>(2)</sup>	Max.	
t <sub>PLH</sub> t <sub>PHL</sub>	Propagation Delay	C <sub>L</sub> = 30pF f ≤ 67MHz	1.5	4.5	1.5	4	ns
t <sub>R</sub>	Output Rise Time (0.8 to 2V)	(See figure 3)	—	1.5	—	1.5	ns
t <sub>F</sub>	Output Fall Time (0.8 to 2V)		—	1.5	—	1.5	ns
tsk(O)	Output skew: skew between outputs of same package (same transition)		—	0.6	—	0.45	ns
tsk(P)	Pulse skew: skew between opposite transitions of same output ( t <sub>PHL</sub> – t <sub>PLH</sub>  )		—	0.6	—	0.45	ns
tsk(T)	Package skew: skew between outputs of different packages at same power supply voltage, temperature, package type and speed grade		—	1	—	0.75	ns

Symbol	Parameter	Conditions <sup>(1)</sup>	FCT3807		FCT3807A		Unit
			Min. <sup>(2)</sup>	Max.	Min. <sup>(2)</sup>	Max.	
t <sub>PLH</sub> t <sub>PHL</sub>	Propagation Delay	C <sub>L</sub> = 50pF f ≤ 40MHz	1.5	4.8	1.5	4.3	ns
t <sub>R</sub>	Output Rise Time (0.8 to 2V)	(See figure 4)	—	1.5	—	1.5	ns
t <sub>F</sub>	Output Fall Time (0.8 to 2V)		—	1.5	—	1.5	ns
tsk(O)	Output skew: skew between outputs of same package (same transition)		—	0.6	—	0.45	ns
tsk(P)	Pulse skew: skew between opposite transitions of same output ( t <sub>PHL</sub> – t <sub>PLH</sub>  )		—	0.6	—	0.45	ns
tsk(T)	Package skew: skew between outputs of different packages at same power supply voltage, temperature, package type and speed grade		—	1	—	0.75	ns

NOTES:

1. See test circuits and waveforms.
2. Minimum limits are guaranteed but not tested on Propagation Delays.
3. t<sub>PLH</sub>, t<sub>PHL</sub>, tsk(t) are production tested. All other parameters guaranteed but not production tested.
4. Propagation delay range indicated by Min. and Max. limit is due to V<sub>CC</sub>, operating temperature and process parameters. These propagation delay limits do not imply skew.

## TEST CIRCUITS



Figure 1.  $Z_o = 50\Omega$  to  $V_{cc}/2$ ,  $C_L = 10pF$



Figure 2.  $Z_o = 50\Omega$  AC Termination,  $C_L = 10pF$

The capacitor value for ac termination is determined by the operating frequency. For very low frequencies a higher capacitor value should be selected.



Figure 3.  $C_L = 30pF$  Circuit

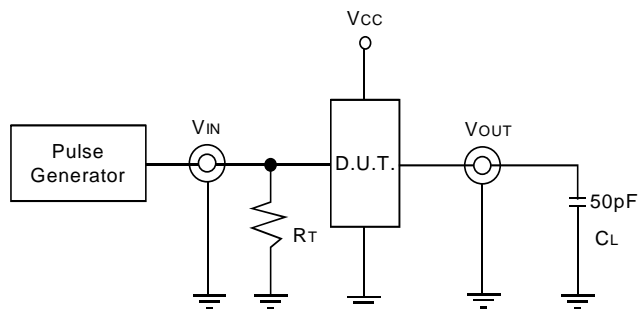


Figure 3.  $C_L = 50pF$  Circuit



Figure 5. Enable and Disable Time Circuit

### ENABLE AND DISABLE TIME SWITCH POSITION

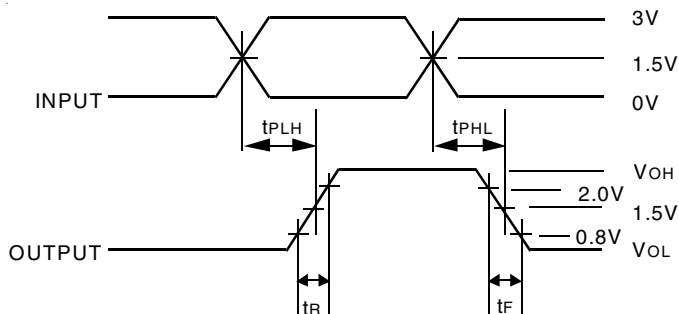
Test	Switch
Disable LOW Enable LOW	6V
Disable HIGH Enable HIGH	GND

#### DEFINITIONS:

$C_L$  = Load capacitance: includes jig and probe capacitance.

$R_T$  = Termination resistance: should be equal to  $Z_{OUT}$  of the Pulse Generator.

### TEST WAVEFORMS



Package Delay



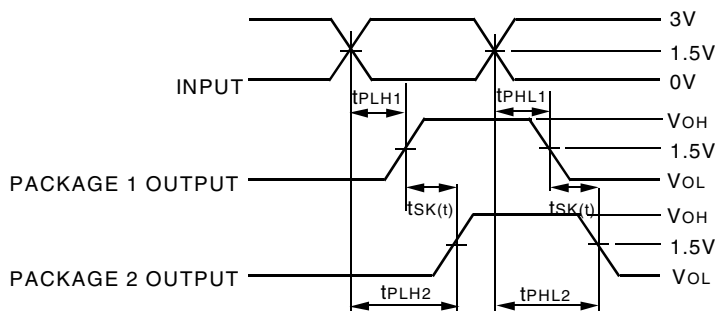
$$t_{SK(O)} = |t_{PLH2} - t_{PLH1}| \text{ or } |t_{PHL2} - t_{PHL1}|$$

Output Skew -  $t_{SK(O)}$



$$t_{SK(P)} = |t_{PHL} - t_{PLH}|$$

Pulse Skew -  $t_{SK(P)}$



$$t_{SK(T)} = |t_{PLH2} - t_{PLH1}| \text{ or } |t_{PHL2} - t_{PHL1}|$$

Package Skew -  $t_{SK(T)}$

Package 1 and Package 2 are same device type and speed grade



Enable and Disable Times

NOTES:

1. Diagram shown for input Control Enable-LOW and input Control Disable-HIGH
2. Pulse Generator for All Pulses:  $f \leq 1.0\text{MHz}$ ;  $t_r \leq 2.5\text{ns}$ ;  $t_f \leq 2.5\text{ns}$

## ORDERING INFORMATION



## REVISION HISTORY

October 16, 2014 Updated ordering information to include Tubes/Tape and Reel



**CORPORATE HEADQUARTERS**  
 6024 Silver Creek Valley Road  
 San Jose, CA 95138

**for SALES:**  
 800-345-7015 or 408-284-8200  
 fax: 408-284-2775  
 www.idt.com

**for Tech Support:**  
 clockhelp@idt.com



Компания «Океан Электроники» предлагает заключение долгосрочных отношений при поставках импортных электронных компонентов на взаимовыгодных условиях!

Наши преимущества:

- Поставка оригинальных импортных электронных компонентов напрямую с производств Америки, Европы и Азии, а так же с крупнейших складов мира;
- Широкая линейка поставок активных и пассивных импортных электронных компонентов (более 30 млн. наименований);
- Поставка сложных, дефицитных, либо снятых с производства позиций;
- Оперативные сроки поставки под заказ (от 5 рабочих дней);
- Экспресс доставка в любую точку России;
- Помощь Конструкторского Отдела и консультации квалифицированных инженеров;
- Техническая поддержка проекта, помощь в подборе аналогов, поставка прототипов;
- Поставка электронных компонентов под контролем ВП;
- Система менеджмента качества сертифицирована по Международному стандарту ISO 9001;
- При необходимости вся продукция военного и аэрокосмического назначения проходит испытания и сертификацию в лаборатории (по согласованию с заказчиком);
- Поставка специализированных компонентов военного и аэрокосмического уровня качества (Xilinx, Altera, Analog Devices, Intersil, Interpoint, Microsemi, Actel, Aeroflex, Peregrine, VPT, Syfer, Eurofarad, Texas Instruments, MS Kennedy, Miteq, Cobham, E2V, MA-COM, Hittite, Mini-Circuits, General Dynamics и др.);

Компания «Океан Электроники» является официальным дистрибьютором и эксклюзивным представителем в России одного из крупнейших производителей разъемов военного и аэрокосмического назначения «JONHON», а так же официальным дистрибьютором и эксклюзивным представителем в России производителя высокотехнологичных и надежных решений для передачи СВЧ сигналов «FORSTAR».



## JONHON

«JONHON» (основан в 1970 г.)

Разъемы специального, военного и аэрокосмического назначения:

(Применяются в военной, авиационной, аэрокосмической, морской, железнодорожной, горно- и нефтедобывающей отраслях промышленности)

«FORSTAR» (основан в 1998 г.)

ВЧ соединители, коаксиальные кабели, кабельные сборки и микроволновые компоненты:

(Применяются в телекоммуникациях гражданского и специального назначения, в средствах связи, РЛС, а так же военной, авиационной и аэрокосмической отраслях промышленности).



Телефон: 8 (812) 309-75-97 (многоканальный)

Факс: 8 (812) 320-03-32

Электронная почта: [ocean@oceanchips.ru](mailto:ocean@oceanchips.ru)

Web: <http://oceanchips.ru/>

Адрес: 198099, г. Санкт-Петербург, ул. Калинина, д. 2, корп. 4, лит. А