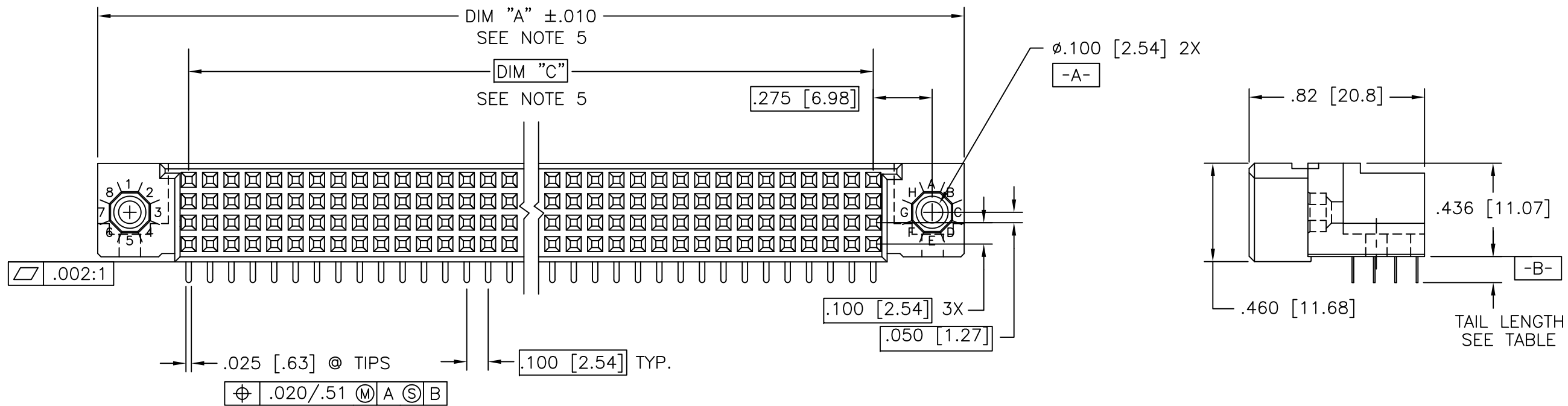
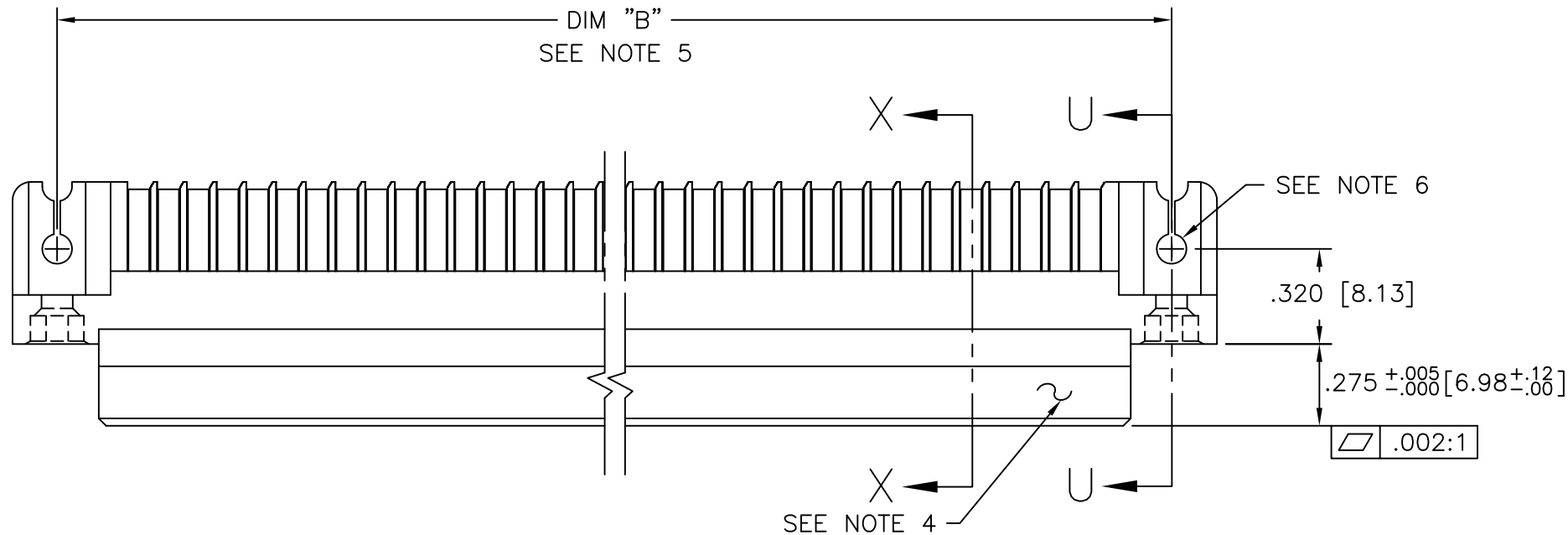


PRODUCT NUMBER

SEE TABLE

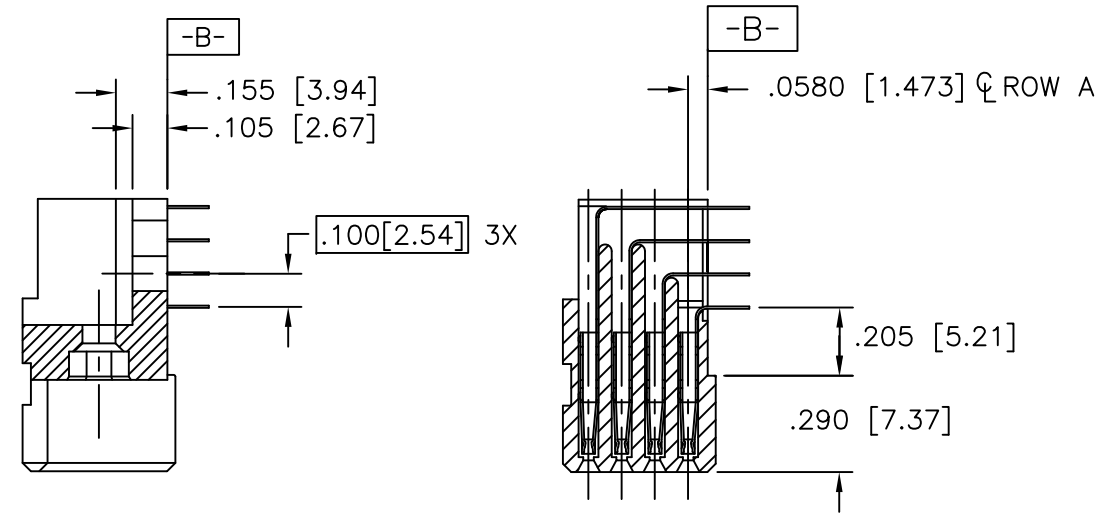


| | | | | | | | | | |
|-------------|-------------|------------|----------|---------------------------------------|-------------|------------|--|--|--|
| mat'l. code | | surface | | tolerance | | projection | | product family | |
| NOTE 3 | | ISO 1302 ✓ | | ISO 406 ISO 1101 | | | | HPC | |
| ltr | ecn no | dr | date | tolerances unless otherwise specified | | INCH/MM | | title | |
| T | ELX-I-26895 | MJA | 05/03/17 | angles | linear | | | 4 ROW R/A RECEPTACLE SOLDER TAIL, 0 GUIDE PIN | |
| - | - | - | - | 0°±2' | | scale 1:1 | | | |
| M | V05-0207 | VS | 3/2/05 | | | | | dwg no | |
| N | V05-1052 | HTB | 12/7/05 | dr | G.PETERS | 6/4/96 | | sheet 1 of 5 size | |
| P | M06-0283 | MHT | 7/27/06 | enr | S.CLARK | 6/3/96 | | 50295 A3 | |
| R | M07-0099 | AGS | 2/09/07 | chr | M JACOB | 05/03/17 | | type | |
| S | M08-0280 | AGS | 9/30/08 | appd | BIJU K PAUL | 05/03/17 | | Product Customer Drawing | |
| sheet | revision | T | T | T | S | S | | | |
| index | sheet | 1 | 2 | 3 | 4 | 5 | | | |

PRODUCT NUMBER
SEE TABLE

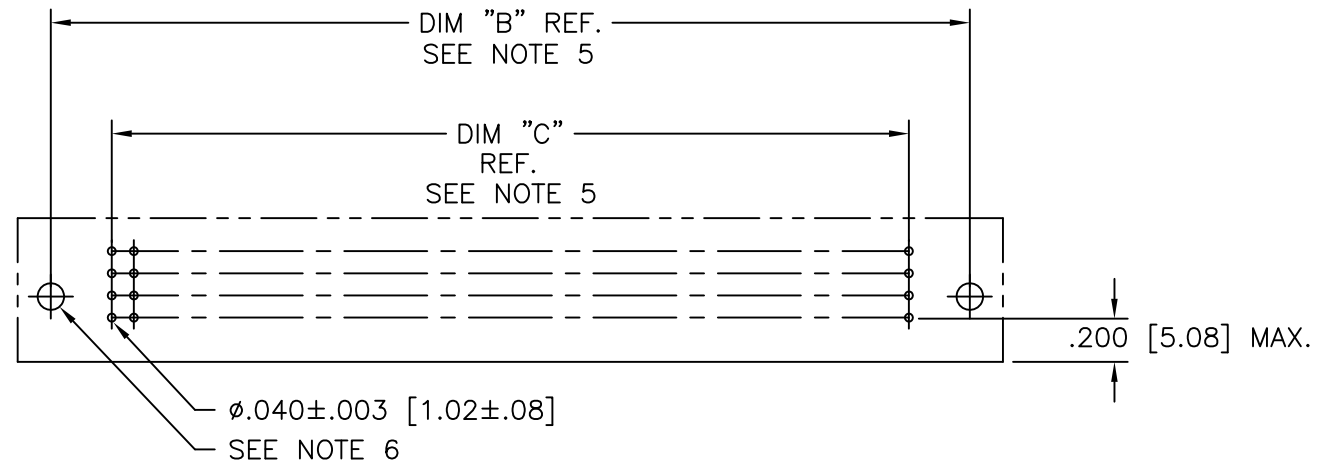
NOTES:

- ① PRODUCT NUMBERING CODE:
50295 - X YYY Z S LF
LEAD FREE (OPTIONAL)
SPECIAL FEATURES (NOTE 6)
TAIL LENGTH (SEE TABLE)
NO. OF POSITIONS (NOTE 2)
PLATING (SEE TABLE)
BASE NUMBER
- ② THIS PRODUCT IS CONFIGURED IN SIZES OF 6 thru 80 COLUMNS IN INCREMENTS OF ONE.
i.e.: 6,7,8,9.....79,80.
- ③ HOUSING MATERIAL: GLASS & MINERAL FILLED HIGH-TEMP THERMOPLASTIC, FLAME RETARDANT PER UL94 V-0.
CONTACT MATERIAL: BeCu
- ④ MANUFACTURE'S NAME, PART NUMBER AND LOT CODE TO APPEAR ON THIS SURFACE PER BUS-12-108.
- ⑤ LENGTH DIMENSION FORMULAS:
DIM "A" = $.100/2.54 \times \text{NO. OF COLUMNS} + .75/19.1$
DIM "B" = $.100/2.54 \times \text{NO. OF COLUMNS} + .450/11.43$
DIM "C" = $.100/2.54 \times \text{NO. OF COLUMNS} - .100/2.54$
- ⑥ SPECIAL FEATURES (SEE SHEET 3) AND TABLE.
- = IF CODE IS OMITTED FROM PRODUCT NUMBER: CONNECTOR IS PROVIDED AS SHOWN, NO SPECIAL FEATURES ARE SELECTED. FOR P.C.B. ATTACHEMENT IN A $\phi.120[3.05]$ MOUNTING HOLE.
"A" = IF SPECIFIED, PRE-INSTALLED CLAW FOR P.C.B. ATTACHEMENT IN A $\phi.100[2.54]$ MOUNTING HOLE. AVAILABLE IN "E" TAIL LENGTH ONLY.
"B" = IF SPECIFIED, PRE-INSTALLED CLAW FOR P.C.B. ATTACHEMENT IN A $\phi.120[3.05]$ MOUNTING HOLE.
"C" = IF SPECIFIED, MOLDED GUIDE PINS WITH PRE-INSTALLED CLAW FOR P.C.B. ATTACHEMENT IN A $\phi.120[3.05]$ MOUNTING HOLE.
"D" = IF SPECIFIED, MOLDED GUIDE PINS WITH $\phi.100[2.54]$ MOUNTING HOLE (NO CLAW).
- ⑦ CLAW DIMENSION DETERMINED BY P.C.B. HOLE DIAMETER.
8. THIS PRODUCT (WITH "LF" SUFFIX) MEETS EUROPEAN UNION DIRECTIVES AND OTHER COUNTRY REGULATIONS AS DESCRIBED IN GS-22-008.
9. THIS HOUSING WILL WITHSTAND EXPOSURE TO 260 DEGREES C PEAK TEMPERATURE FOR 10-30 SECONDS IN A CONVECTION, INFRA-RED OR VAPOR PHASE REFLOW OVEN.
- ⑩ PLATING OPTION:
MAY BE EITHER GOLD OR GXT PLATED AT MANUFACTURER'S OPTION.



SECTION U-U
NO SPECIAL FEATURE

SECTION X-X



RECOMMENDED PCB LAYOUT
(ALL HOLES LOCATED ON $.100 [2.54]$ GRID UNLESS OTHERWISE SPECIFIED)

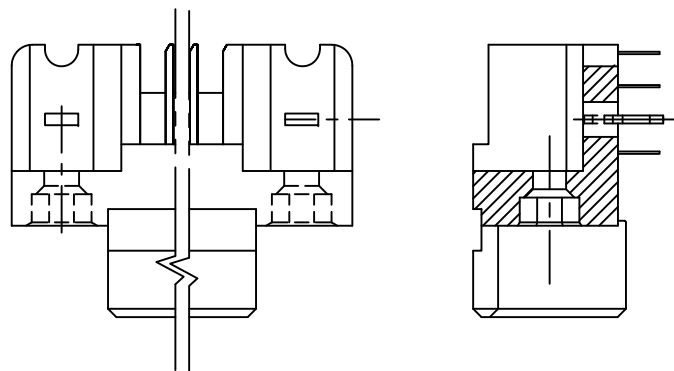
| | | | | | |
|-----------------------|----------------|-----------------------|----------------------------------|---|---|
| mat'l. code NOTE 3 | | surface ISO 1302 ✓ | tolerance ISO 406 ISO 1101 | projection INCH/MM | product family HPC |
| ltr | ecn no | dr | date | tolerances unless otherwise specified | title 4 ROW R/A RECEPTACLE SOLDER TAIL, 0 GUIDE PIN |
| T | | | | angles linear .XX±.01/.X±0.3 .XXX±.005/.XX±0.13 .XXXX±.0020/.XXX±0.051 | |
| | | | | 0°±2° | |
| | | dr | G.PETERS | 6/4/96 | dwg no |
| | | enr | S.CLARK | 6/3/96 | sheet 2 of 5 |
| | | chr | M JACOB | 05/03/17 | size 50295 A3 |
| | | appd | BIJU K PAUL | 05/03/17 | type Product Customer Drawing |
| sheet index | revision sheet | | | | |

PRODUCT NUMBER

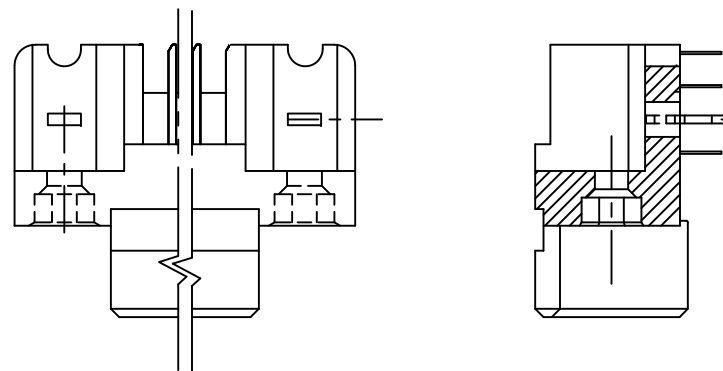
SEE TABLE

SPECIAL FEATURE OPTION A

SPECIAL FEATURE OPTION B



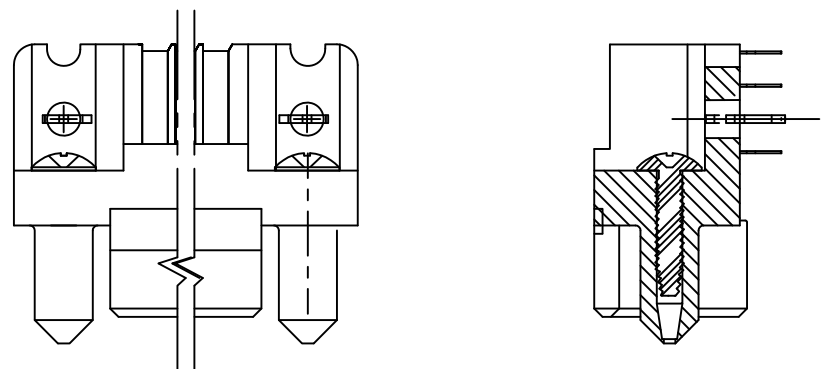
SECTION U-U



SECTION U-U

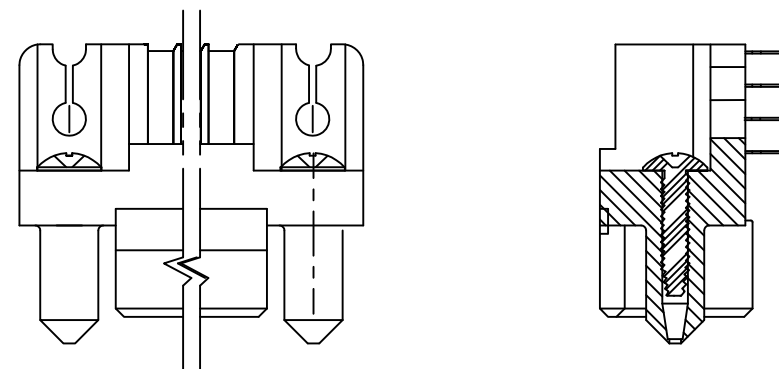
SPECIAL FEATURE OPTION C

SPECIAL FEATURE OPTION D



SECTION U-U

SELF TAPPING SCREW (2x)



SECTION U-U

SELF TAPPING SCREW (2x)

NOTE 7

Amphenol
FCi

Copyright AFci

| | | | | | |
|-----------------------|----------------|-----------------------|----------------------------------|---|---|
| mat'l. code NOTE 3 | | surface ISO 1302 ✓ | tolerance ISO 406 ISO 1101 | projection | product family HPC |
| ltr | ecn no | dr | date | tolerances unless otherwise specified | title 4 ROW R/A RECEPTACLE SOLDER TAIL, 0 GUIDE PIN |
| T | | | | angles linear .XX±.01/.X±0.3 .XXX±.005/.XX±0.13 .XXXX±.0020/.XXX±0.051 | |
| | | | | 0°±2° | |
| | | dr | G.PETERS | 6/4/96 | Amphenol FCi dwg no 50295 sheet 3 of 5 size A3 type Product Customer Drawing |
| | | enr | S.CLARK | 6/3/96 | |
| | | chr | M JACOB | 05/03/17 | |
| | | appd | BIJU K PAUL | 05/03/17 | |
| sheet index | revision sheet | | | | |

| PRODUCT NUMBER NOTE 1 AND 2 | NUMBER OF POSITIONS SEE NOTE 2 | TAIL LENGTH ±.010/0.25 | SPECIAL FEATURES SEE NOTE 6 | TAIL PLATING | CONTACT PLATING SEE NOTE 10 | PRODUCT NUMBER NOTE 1 AND 2 | NUMBER OF POSITIONS SEE NOTE 2 | TAIL LENGTH ±.010/0.25 | SPECIAL FEATURES SEE NOTE 6 | TAIL PLATING | CONTACT PLATING SEE NOTE 10 |
|--------------------------------|--------------------------------------|---------------------------|--------------------------------|--------------|--------------------------------|--------------------------------|--------------------------------------|---------------------------|--------------------------------|--------------|--------------------------------|
| 50295-1YYYE | YYY | .125/3.18 | NONE | TIN-LEAD | 30μ"/0.76μ Au | 50295-1YYYELF | YYY | .125/3.18 | NONE | TIN | 30μ"/0.76μ Au |
| 50295-1YYYEA | YYY | .125/3.18 | "A" | | 30μ"/0.76μ Au | 50295-1YYYEALF | YYY | .125/3.18 | "A" | | 30μ"/0.76μ Au |
| 50295-1YYYEB | YYY | .125/3.18 | "B" | | 30μ"/0.76μ Au | 50295-1YYYEBLF | YYY | .125/3.18 | "B" | | 30μ"/0.76μ Au |
| 50295-1YYYEC | YYY | .125/3.18 | "C" | | 30μ"/0.76μ Au | 50295-1YYYECLF | YYY | .125/3.18 | "C" | | 30μ"/0.76μ Au |
| 50295-1YYYED | YYY | .125/3.18 | "D" | | 30μ"/0.76μ Au | 50295-1YYYEDLF | YYY | .125/3.18 | "D" | | 30μ"/0.76μ Au |
| 50295-1YYYF | YYY | .145/3.68 | NONE | | 30μ"/0.76μ Au | 50295-1YYYFLF | YYY | .145/3.68 | NONE | | 30μ"/0.76μ Au |
| 50295-1YYYFB | YYY | .145/3.68 | "B" | | 30μ"/0.76μ Au | 50295-1YYYFBLF | YYY | .145/3.68 | "B" | | 30μ"/0.76μ Au |
| 50295-1YYYFC | YYY | .145/3.68 | "C" | | 30μ"/0.76μ Au | 50295-1YYYFCLF | YYY | .145/3.68 | "C" | | 30μ"/0.76μ Au |
| 50295-1YYYFD | YYY | .145/3.68 | "D" | | 30μ"/0.76μ Au | 50295-1YYYFDLF | YYY | .145/3.68 | "D" | | 30μ"/0.76μ Au |
| 50295-1YYYH | YYY | .180/4.57 | NONE | | 30μ"/0.76μ Au | 50295-1YYYHLF | YYY | .180/4.57 | NONE | | 30μ"/0.76μ Au |
| 50295-1YYYHB | YYY | .180/4.57 | "B" | | 30μ"/0.76μ Au | 50295-1YYYHBLF | YYY | .180/4.57 | "B" | | 30μ"/0.76μ Au |
| 50295-1YYYHC | YYY | .180/4.57 | "C" | | 30μ"/0.76μ Au | 50295-1YYYHCLF | YYY | .180/4.57 | "C" | | 30μ"/0.76μ Au |
| 50295-1YYYHD | YYY | .180/4.57 | "D" | | 30μ"/0.76μ Au | 50295-1YYYHDLF | YYY | .180/4.57 | "D" | | 30μ"/0.76μ Au |
| 50295-3YYYE | YYY | .125/3.18 | NONE | | 50μ"/1.27μ Au | 50295-3YYYELF | YYY | .125/3.18 | NONE | | 50μ"/1.27μ Au |
| 50295-3YYYEA | YYY | .125/3.18 | "A" | | 50μ"/1.27μ Au | 50295-3YYYEALF | YYY | .125/3.18 | "A" | | 50μ"/1.27μ Au |
| 50295-3YYYEB | YYY | .125/3.18 | "B" | | 50μ"/1.27μ Au | 50295-3YYYEBLF | YYY | .125/3.18 | "B" | | 50μ"/1.27μ Au |
| 50295-3YYYEC | YYY | .125/3.18 | "C" | | 50μ"/1.27μ Au | 50295-3YYYECLF | YYY | .125/3.18 | "C" | | 50μ"/1.27μ Au |
| 50295-3YYYED | YYY | .125/3.18 | "D" | | 50μ"/1.27μ Au | 50295-3YYYEDLF | YYY | .125/3.18 | "D" | | 50μ"/1.27μ Au |
| 50295-3YYYF | YYY | .145/3.68 | NONE | | 50μ"/1.27μ Au | 50295-3YYYFLF | YYY | .145/3.68 | NONE | | 50μ"/1.27μ Au |
| 50295-3YYYFB | YYY | .145/3.68 | "B" | | 50μ"/1.27μ Au | 50295-3YYYFBLF | YYY | .145/3.68 | "B" | | 50μ"/1.27μ Au |
| 50295-3YYYFC | YYY | .145/3.68 | "C" | | 50μ"/1.27μ Au | 50295-3YYYFCLF | YYY | .145/3.68 | "C" | | 50μ"/1.27μ Au |
| 50295-3YYYFD | YYY | .145/3.68 | "D" | | 50μ"/1.27μ Au | 50295-3YYYFDLF | YYY | .145/3.68 | "D" | | 50μ"/1.27μ Au |
| 50295-3YYYH | YYY | .180/4.57 | NONE | | 50μ"/1.27μ Au | 50295-3YYYHLF | YYY | .180/4.57 | NONE | | 50μ"/1.27μ Au |
| 50295-3YYYHB | YYY | .180/4.57 | "B" | | 50μ"/1.27μ Au | 50295-3YYYHBLF | YYY | .180/4.57 | "B" | | 50μ"/1.27μ Au |
| 50295-3YYYHC | YYY | .180/4.57 | "C" | | 50μ"/1.27μ Au | 50295-3YYYHCLF | YYY | .180/4.57 | "C" | | 50μ"/1.27μ Au |
| 50295-3YYYHD | YYY | .180/4.57 | "D" | TIN-LEAD | 50μ"/1.27μ Au | 50295-3YYYHDLF | YYY | .180/4.57 | "D" | TIN | 50μ"/1.27μ Au |

TABLE CONTINUED ON SHEET 5

Amphenol
FCi

Copyright AFci

| | | | | | |
|-----------------------|----------------|-----------------------|----------------------------------|---|---|
| mat'l. code NOTE 3 | | surface ISO 1302 ✓ | tolerance ISO 406 ISO 1101 | projection | product family HPC |
| ltr | ecn no | dr | date | tolerances unless otherwise specified | title 4 ROW R/A RECEPTACLE SOLDER TAIL, 0 GUIDE PIN |
| S | | | | linear XX±.01/.X±0.3 XXX±.005/.XX±0.13 XXXX±.0020/.XXX±0.051 | |
| | | | | angles 0°±2° | |
| | | | | dr G.PETERS 6/4/96 | Amphenol FCi dwg no 50295 sheet 4 of 5 size A3 type Product Customer Drawing |
| | | | | enr S.CLARK 6/3/96 | |
| | | | | chr S.CLARK 6/4/96 | |
| | | | | appd S.CLARK 6/4/96 | |
| sheet index | revision sheet | | | | |

| PRODUCT NUMBER NOTE 1 AND 2 | NUMBER OF POSITIONS SEE NOTE 2 | TAIL LENGTH ±.010/0.25 | SPECIAL FEATURES SEE NOTE 6 | TAIL PLATING | CONTACT PLATING SEE NOTE 10 |
|--------------------------------|--------------------------------------|---------------------------|--------------------------------|--------------|--------------------------------|
| 50295-5YYYE | YYY | .125/3.18 | NONE | TIN/LEAD | 30μ"/0.76μ GXT |
| 50295-5YYYELF | YYY | .125/3.18 | NONE | TIN | |
| 50295-5YYYEA | YYY | .125/3.18 | "A" | TIN/LEAD | |
| 50295-5YYYEALF | YYY | .125/3.18 | "A" | TIN | |
| 50295-5YYYEB | YYY | .125/3.18 | "B" | TIN/LEAD | |
| 50295-5YYYEBLF | YYY | .125/3.18 | "B" | TIN | |
| 50295-5YYYEC | YYY | .125/3.18 | "C" | TIN/LEAD | |
| 50295-5YYYECLF | YYY | .125/3.18 | "C" | TIN | |
| 50295-5YYYED | YYY | .125/3.18 | "D" | TIN/LEAD | |
| 50295-5YYYEDLF | YYY | .125/3.18 | "D" | TIN | |
| 50295-5YYYF | YYY | .145/3.68 | NONE | TIN/LEAD | |
| 50295-5YYYFLF | YYY | .145/3.68 | NONE | TIN | |
| 50295-5YYYFB | YYY | .145/3.68 | "B" | TIN/LEAD | |
| 50295-5YYYFBLF | YYY | .145/3.68 | "B" | TIN | |
| 50295-5YYYFC | YYY | .145/3.68 | "C" | TIN/LEAD | |
| 50295-5YYYFCLF | YYY | .145/3.68 | "C" | TIN | |
| 50295-5YYYFD | YYY | .145/3.68 | "D" | TIN/LEAD | |
| 50295-5YYYFDLF | YYY | .145/3.68 | "D" | TIN | |
| 50295-5YYYH | YYY | .180/4.57 | NONE | TIN/LEAD | |
| 50295-5YYYHLF | YYY | .180/4.57 | NONE | TIN | |
| 50295-5YYYHB | YYY | .180/4.57 | "B" | TIN/LEAD | |
| 50295-5YYYHBLF | YYY | .180/4.57 | "B" | TIN | |
| 50295-5YYYHC | YYY | .180/4.57 | "C" | TIN/LEAD | |
| 50295-5YYYHCLF | YYY | .180/4.57 | "C" | TIN | |
| 50295-5YYYHD | YYY | .180/4.57 | "D" | TIN/LEAD | |
| 50295-5YYYHDLF | YYY | .180/4.57 | "D" | TIN | 30μ"/0.76μ GXT |

Amphenol
FCI

Copyright AFCl

| | | | | | | | | | |
|-----------------------|----------------|-----------------------|------|---------------------------------------|--|----------------------|-------------------|--|--------------------------|
| mat'l. code NOTE 3 | | surface ISO 1302 ✓ | | tolerance ISO 406 ISO 1101 | | projection | | product family HPC | |
| ltr | ecn no | dr | date | tolerances unless otherwise specified | | INCH/MM scale 1:1 | | title | |
| s | | | | angles | linear | | | 4 ROW R/A RECEPTACLE SOLDER TAIL, 0 GUIDE PIN | |
| | | | | 0°±2° | .XX±.01/.X±0.3 .XXX±.005/.XX±0.13 .XXXX±.0020/.XXX±0.051 | Amphenol FCI | | dwg no 50295 | |
| | | | | dr | G.PETERS | 6/4/96 | sheet 5 of 5 size | | A3 |
| | | | | enr | S.CLARK | 6/3/96 | type | | Product Customer Drawing |
| | | | | chr | S.CLARK | 6/4/96 | | | |
| | | | | appd | S.CLARK | 6/4/96 | | | |
| sheet index | revision sheet | | | | | | | | |

Компания «Океан Электроники» предлагает заключение долгосрочных отношений при поставках импортных электронных компонентов на взаимовыгодных условиях!

Наши преимущества:

- Поставка оригинальных импортных электронных компонентов напрямую с производств Америки, Европы и Азии, а так же с крупнейших складов мира;
- Широкая линейка поставок активных и пассивных импортных электронных компонентов (более 30 млн. наименований);
- Поставка сложных, дефицитных, либо снятых с производства позиций;
- Оперативные сроки поставки под заказ (от 5 рабочих дней);
- Экспресс доставка в любую точку России;
- Помощь Конструкторского Отдела и консультации квалифицированных инженеров;
- Техническая поддержка проекта, помощь в подборе аналогов, поставка прототипов;
- Поставка электронных компонентов под контролем ВП;
- Система менеджмента качества сертифицирована по Международному стандарту ISO 9001;
- При необходимости вся продукция военного и аэрокосмического назначения проходит испытания и сертификацию в лаборатории (по согласованию с заказчиком);
- Поставка специализированных компонентов военного и аэрокосмического уровня качества (Xilinx, Altera, Analog Devices, Intersil, Interpoint, Microsemi, Actel, Aeroflex, Peregrine, VPT, Syfer, Eurofarad, Texas Instruments, MS Kennedy, Miteq, Cobham, E2V, MA-COM, Hittite, Mini-Circuits, General Dynamics и др.);

Компания «Океан Электроники» является официальным дистрибьютором и эксклюзивным представителем в России одного из крупнейших производителей разъемов военного и аэрокосмического назначения «JONHON», а так же официальным дистрибьютором и эксклюзивным представителем в России производителя высокотехнологичных и надежных решений для передачи СВЧ сигналов «FORSTAR».



JONHON

«JONHON» (основан в 1970 г.)

Разъемы специального, военного и аэрокосмического назначения:

(Применяются в военной, авиационной, аэрокосмической, морской, железнодорожной, горно- и нефтедобывающей отраслях промышленности)

«FORSTAR» (основан в 1998 г.)

ВЧ соединители, коаксиальные кабели,
кабельные сборки и микроволновые компоненты:

(Применяются в телекоммуникациях гражданского и специального назначения, в средствах связи, РЛС, а так же военной, авиационной и аэрокосмической отраслях промышленности).



Телефон: 8 (812) 309-75-97 (многоканальный)

Факс: 8 (812) 320-03-32

Электронная почта: ocean@oceanchips.ru

Web: <http://oceanchips.ru/>

Адрес: 198099, г. Санкт-Петербург, ул. Калинина, д. 2, корп. 4, лит. А