

RL78/G13

R01DS0131EJ0341

RENESAS MCU

Rev.3.41

Jan 31, 2020

True low-power platform (66  $\mu$ A/MHz, and 0.57  $\mu$ A for operation with only RTC and LVD) for the general-purpose applications, with 1.6-V to 5.5-V operation, 16- to 512-Kbyte code flash memory, and 41 DMIPS at 32 MHz

## 1. OUTLINE

### 1.1 Features

#### Ultra-low power consumption technology

- $V_{DD}$  = single power supply voltage of 1.6 to 5.5 V
- HALT mode
- STOP mode
- SNOOZE mode

#### RL78 CPU core

- CISC architecture with 3-stage pipeline
- Minimum instruction execution time: Can be changed from high speed (0.03125  $\mu$ s: @ 32 MHz operation with high-speed on-chip oscillator) to ultra-low speed (30.5  $\mu$ s: @ 32.768 kHz operation with subsystem clock)
- Address space: 1 MB
- General-purpose registers: (8-bit register  $\times$  8)  $\times$  4 banks
- On-chip RAM: 2 to 32 KB

#### Code flash memory

- Code flash memory: 16 to 512 KB
- Block size: 1 KB
- Prohibition of block erase and rewriting (security function)
- On-chip debug function
- Self-programming (with boot swap function/flash shield window function)

#### Data Flash Memory

- Data flash memory: 4 KB to 8 KB
- Back ground operation (BGO): Instructions can be executed from the program memory while rewriting the data flash memory.
- Number of rewrites: 1,000,000 times (TYP.)
- Voltage of rewrites:  $V_{DD}$  = 1.8 to 5.5 V

#### High-speed on-chip oscillator

- Select from 32 MHz, 24 MHz, 16 MHz, 12 MHz, 8 MHz, 6 MHz, 4 MHz, 3 MHz, 2 MHz, and 1 MHz
- High accuracy:  $\pm$  1.0 % ( $V_{DD}$  = 1.8 to 5.5 V,  $T_A$  = -20 to +85°C)

#### Operating ambient temperature

- $T_A$  = -40 to +85°C (A: Consumer applications, D: Industrial applications )
- $T_A$  = -40 to +105°C (G: Industrial applications)

#### Power management and reset function

- On-chip power-on-reset (POR) circuit
- On-chip voltage detector (LVD) (Select interrupt and reset from 14 levels)

#### DMA (Direct Memory Access) controller

- 2/4 channels
- Number of clocks during transfer between 8/16-bit SFR and internal RAM: 2 clocks

#### Multiplier and divider/multiply-accumulator

- 16 bits  $\times$  16 bits = 32 bits (Unsigned or signed)
- 32 bits  $\div$  32 bits = 32 bits (Unsigned)
- 16 bits  $\times$  16 bits + 32 bits = 32 bits (Unsigned or signed)

#### Serial interface

- CSI: 2 to 8 channels
- UART/UART (LIN-bus supported): 2 to 4 channels
- I<sup>2</sup>C/Simplified I<sup>2</sup>C communication: 2 to 8 channels

#### Timer

- 16-bit timer: 8 to 16 channels
- 12-bit interval timer: 1 channel
- Real-time clock: 1 channel (calendar for 99 years, alarm function, and clock correction function)
- Watchdog timer: 1 channel (operable with the dedicated low-speed on-chip oscillator)

#### A/D converter

- 8/10-bit resolution A/D converter ( $V_{DD}$  = 1.6 to 5.5 V)
- Analog input: 6 to 26 channels
- Internal reference voltage (1.45 V) and temperature sensor <sup>Note 1</sup>

#### I/O port

- I/O port: 16 to 120 (N-ch open drain I/O [withstand voltage of 6 V]: 0 to 4, N-ch open drain I/O [ $V_{DD}$  withstand voltage <sup>Note 2</sup>/ $E_{VDD}$  withstand voltage <sup>Note 3</sup>]: 5 to 25)
- Can be set to N-ch open drain, TTL input buffer, and on-chip pull-up resistor
- Different potential interface: Can connect to a 1.8/2.5/3 V device
- On-chip key interrupt function
- On-chip clock output/buzzer output controller

#### Others

- On-chip BCD (binary-coded decimal) correction circuit

- Notes**
1. Can be selected only in HS (high-speed main) mode
  2. Products with 20 to 52 pins
  3. Products with 64 to 128 pins

**Remark** The functions mounted depend on the product.  
See 1.6 Outline of Functions.

O ROM, RAM capacities

| Flash ROM | Data flash | RAM          | RL78/G13 |          |          |          |          |          |
|-----------|------------|--------------|----------|----------|----------|----------|----------|----------|
|           |            |              | 20 pins  | 24 pins  | 25 pins  | 30 pins  | 32 pins  | 36 pins  |
| 128 KB    | 8 KB       | 12 KB        | –        | –        | –        | R5F100AG | R5F100BG | R5F100CG |
|           | –          |              | –        | –        | R5F101AG | R5F101BG | R5F101CG |          |
| 96 KB     | 8 KB       | 8 KB         | –        | –        | –        | R5F100AF | R5F100BF | R5F100CF |
|           | –          |              | –        | –        | R5F101AF | R5F101BF | R5F101CF |          |
| 64 KB     | 4 KB       | 4 KB<br>Note | R5F1006E | R5F1007E | R5F1008E | R5F100AE | R5F100BE | R5F100CE |
|           | –          |              | R5F1016E | R5F1017E | R5F1018E | R5F101AE | R5F101BE | R5F101CE |
| 48 KB     | 4 KB       | 3 KB<br>Note | R5F1006D | R5F1007D | R5F1008D | R5F100AD | R5F100BD | R5F100CD |
|           | –          |              | R5F1016D | R5F1017D | R5F1018D | R5F101AD | R5F101BD | R5F101CD |
| 32 KB     | 4 KB       | 2 KB         | R5F1006C | R5F1007C | R5F1008C | R5F100AC | R5F100BC | R5F100CC |
|           | –          |              | R5F1016C | R5F1017C | R5F1018C | R5F101AC | R5F101BC | R5F101CC |
| 16 KB     | 4 KB       | 2 KB         | R5F1006A | R5F1007A | R5F1008A | R5F100AA | R5F100BA | R5F100CA |
|           | –          |              | R5F1016A | R5F1017A | R5F1018A | R5F101AA | R5F101BA | R5F101CA |

| Flash ROM | Data flash | RAM           | RL78/G13 |          |          |          |          |          |          |          |
|-----------|------------|---------------|----------|----------|----------|----------|----------|----------|----------|----------|
|           |            |               | 40 pins  | 44 pins  | 48 pins  | 52 pins  | 64 pins  | 80 pins  | 100 pins | 128 pins |
| 512 KB    | 8 KB       | 32 KB<br>Note | –        | R5F100FL | R5F100GL | R5F100JL | R5F100LL | R5F100ML | R5F100PL | R5F100SL |
|           | –          |               | –        | R5F101FL | R5F101GL | R5F101JL | R5F101LL | R5F101ML | R5F101PL | R5F101SL |
| 384 KB    | 8 KB       | 24 KB         | –        | R5F100FK | R5F100GK | R5F100JK | R5F100LK | R5F100MK | R5F100PK | R5F100SK |
|           | –          |               | –        | R5F101FK | R5F101GK | R5F101JK | R5F101LK | R5F101MK | R5F101PK | R5F101SK |
| 256 KB    | 8 KB       | 20 KB<br>Note | –        | R5F100FJ | R5F100GJ | R5F100JJ | R5F100LJ | R5F100MJ | R5F100PJ | R5F100SJ |
|           | –          |               | –        | R5F101FJ | R5F101GJ | R5F101JJ | R5F101LJ | R5F101MJ | R5F101PJ | R5F101SJ |
| 192 KB    | 8 KB       | 16 KB         | R5F100EH | R5F100FH | R5F100GH | R5F100JH | R5F100LH | R5F100MH | R5F100PH | R5F100SH |
|           | –          |               | R5F101EH | R5F101FH | R5F101GH | R5F101JH | R5F101LH | R5F101MH | R5F101PH | R5F101SH |
| 128 KB    | 8 KB       | 12 KB         | R5F100EG | R5F100FG | R5F100GG | R5F100JG | R5F100LG | R5F100MG | R5F100PG | –        |
|           | –          |               | R5F101EG | R5F101FG | R5F101GG | R5F101JG | R5F101LG | R5F101MG | R5F101PG | –        |
| 96 KB     | 8 KB       | 8 KB          | R5F100EF | R5F100FF | R5F100GF | R5F100JF | R5F100LF | R5F100MF | R5F100PF | –        |
|           | –          |               | R5F101EF | R5F101FF | R5F101GF | R5F101JF | R5F101LF | R5F101MF | R5F101PF | –        |
| 64 KB     | 4 KB       | 4 KB<br>Note  | R5F100EE | R5F100FE | R5F100GE | R5F100JE | R5F100LE | –        | –        | –        |
|           | –          |               | R5F101EE | R5F101FE | R5F101GE | R5F101JE | R5F101LE | –        | –        | –        |
| 48 KB     | 4 KB       | 3 KB<br>Note  | R5F100ED | R5F100FD | R5F100GD | R5F100JD | R5F100LD | –        | –        | –        |
|           | –          |               | R5F101ED | R5F101FD | R5F101GD | R5F101JD | R5F101LD | –        | –        | –        |
| 32 KB     | 4 KB       | 2 KB          | R5F100EC | R5F100FC | R5F100GC | R5F100JC | R5F100LC | –        | –        | –        |
|           | –          |               | R5F101EC | R5F101FC | R5F101GC | R5F101JC | R5F101LC | –        | –        | –        |
| 16 KB     | 4 KB       | 2 KB          | R5F100EA | R5F100FA | R5F100GA | –        | –        | –        | –        | –        |
|           | –          |               | R5F101EA | R5F101FA | R5F101GA | –        | –        | –        | –        | –        |

**Note** The flash library uses RAM in self-programming and rewriting of the data flash memory. The target products and start address of the RAM areas used by the flash library are shown below.

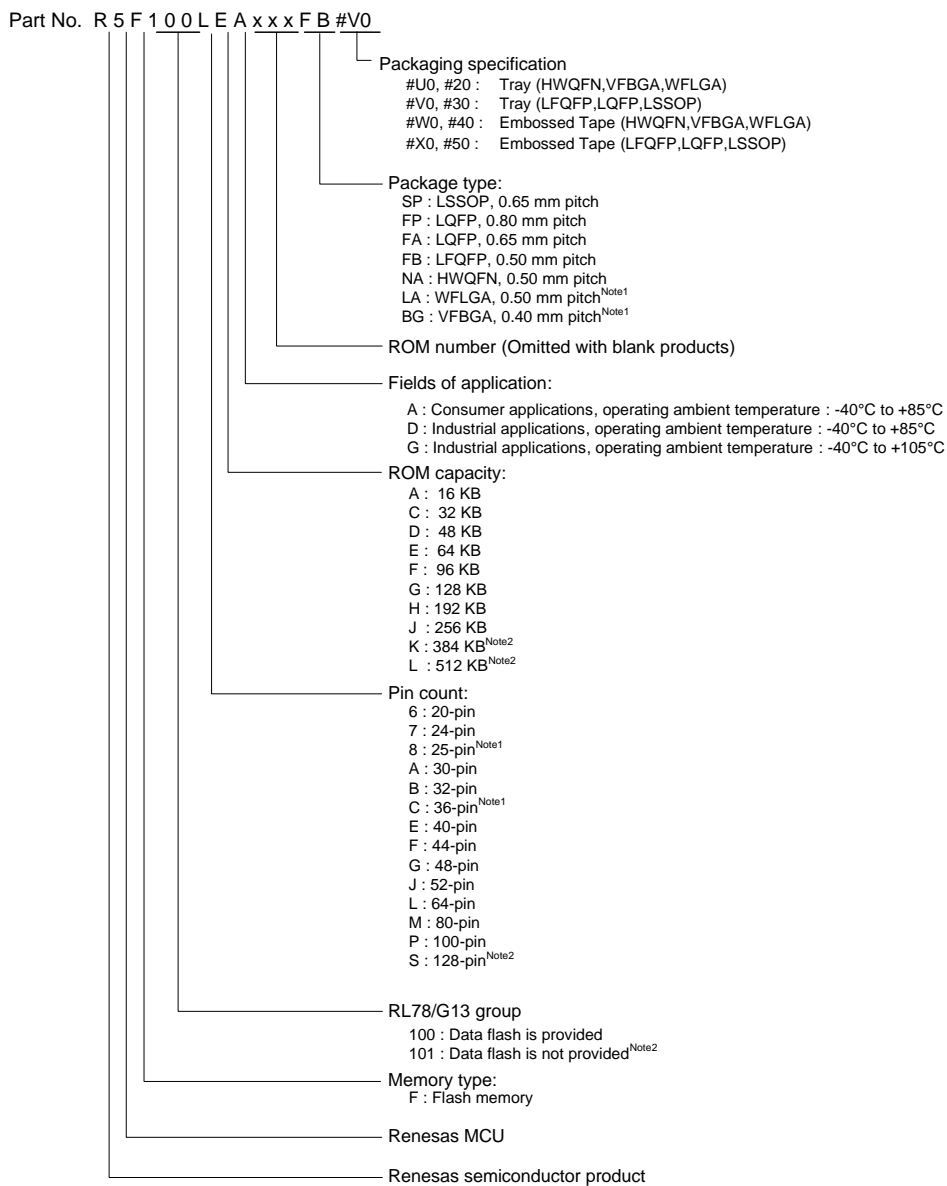
- R5F100xD, R5F101xD (x = 6 to 8, A to C, E to G, J, L): Start address FF300H
- R5F100xE, R5F101xE (x = 6 to 8, A to C, E to G, J, L): Start address FEF00H
- R5F100xJ, R5F101xJ (x = F, G, J, L, M, P): Start address FAF00H
- R5F100xL, R5F101xL (x = F, G, J, L, M, P, S): Start address F7F00H

For the RAM areas used by the flash library, see **Self RAM list of Flash Self-Programming Library for RL78 Family (R20UT2944)**.

1.2 List of Part Numbers

<R>

Figure 1-1. Part Number, Memory Size, and Package of RL78/G13



- Notes**
1. Products only for "A: Consumer applications (T<sub>A</sub> = -40 to +85°C)", and "G: Industrial applications (T<sub>A</sub> = -40 to +105°C)"
  2. Products only for "A: Consumer applications (T<sub>A</sub> = -40 to +85°C)", and "D: Industrial applications (T<sub>A</sub> = -40 to +85°C)"

<R>

**Table 1-1. List of Ordering Part Numbers**

(1/25)

| Pin count | Package   | Data flash  | Fields of Application <sup>Note</sup> | Ordering Part Number   | RENESAS Code |              |
|-----------|---|-------------|---------------------------------------|--|--------------|--------------|
| 20 pins   | 20-pin plastic LSSOP<br>(7.62 mm (300),<br>0.65 mm pitch) | Mounted     | A                                     | R5F1006AASP#V0, R5F1006CASP#V0, R5F1006DASP#V0,<br>R5F1006EASP#V0<br>R5F1006AASP#X0, R5F1006CASP#X0, R5F1006DASP#X0,<br>R5F1006EASP#X0<br>R5F1006AASP#30, R5F1006CASP#30, R5F1006DASP#30,<br>R5F1006EASP#30<br>R5F1006AASP#50, R5F1006CASP#50, R5F1006DASP#50,<br>R5F1006EASP#50 | PLSP0020JC-A |              |
|           |   |             | D                                     | R5F1006ADSP#V0, R5F1006CDSP#V0, R5F1006DDSP#V0,<br>R5F1006EDSP#V0<br>R5F1006ADSP#X0, R5F1006CDSP#X0, R5F1006DDSP#X0,<br>R5F1006EDSP#X0<br>R5F1006ADSP#30, R5F1006CDSP#30, R5F1006DDSP#30,<br>R5F1006EDSP#30<br>R5F1006ADSP#50, R5F1006CDSP#50, R5F1006DDSP#50,<br>R5F1006EDSP#50 |              |              |
|           |   |             | G                                     | R5F1006AGSP#V0, R5F1006CGSP#V0, R5F1006DGSP#V0,<br>R5F1006EGSP#V0<br>R5F1006AGSP#X0, R5F1006CGSP#X0, R5F1006DGSP#X0,<br>R5F1006EGSP#X0<br>R5F1006AGSP#30, R5F1006CGSP#30, R5F1006DGSP#30,<br>R5F1006EGSP#30<br>R5F1006AGSP#50, R5F1006CGSP#50, R5F1006DGSP#50,<br>R5F1006EGSP#50 |              |              |
|           |   | Not mounted | A                                     | R5F1016AASP#V0, R5F1016CASP#V0, R5F1016DASP#V0,<br>R5F1016EASP#V0<br>R5F1016AASP#X0, R5F1016CASP#X0, R5F1016DASP#X0,<br>R5F1016EASP#X0<br>R5F1016AASP#30, R5F1016CASP#30, R5F1016DASP#30,<br>R5F1016EASP#30<br>R5F1016AASP#50, R5F1016CASP#50, R5F1016DASP#50,<br>R5F1016EASP#50 |              | PLSP0020JC-A |
|           |   |             | D                                     | R5F1016ADSP#V0, R5F1016CDSP#V0, R5F1016DDSP#V0,<br>R5F1016EDSP#V0<br>R5F1016ADSP#X0, R5F1016CDSP#X0, R5F1016DDSP#X0,<br>R5F1016EDSP#X0<br>R5F1016ADSP#30, R5F1016CDSP#30, R5F1016DDSP#30,<br>R5F1016EDSP#30<br>R5F1016ADSP#50, R5F1016CDSP#50, R5F1016DDSP#50,<br>R5F1016EDSP#50 |              |              |

**Note** For the fields of application, refer to **Figure 1-1 Part Number, Memory Size, and Package of RL78/G13.**

**Caution** The ordering part numbers represent the numbers at the time of publication. For the latest ordering part numbers, refer to the target product page of the Renesas Electronics website.

&lt;R&gt;

Table 1-1. List of Ordering Part Numbers

(2/25)

| Pin count | Package                                       | Data flash   | Fields of Application <sup>Note</sup>  | Ordering Part Number   | RENESAS Code   |
|-----------|---|--|--|--|--|
| 24 pins   | 24-pin plastic HWQFN (4 × 4 mm, 0.5 mm pitch) | Mounted  | A  | R5F1007AANA#U0, R5F1007CANA#U0, R5F1007DANA#U0, R5F1007EANA#U0<br>R5F1007AANA#W0, R5F1007CANA#W0, R5F1007DANA#W0, R5F1007EANA#W0 | PWQN0024KE-A   |
|           |   |  |  | R5F1007AANA#20, R5F1007CANA#20, R5F1007DANA#20, R5F1007EANA#20<br>R5F1007AANA#40, R5F1007CANA#40, R5F1007DANA#40, R5F1007EANA#40 | PWQN0024KF-A   |
|           |   |  | D  | R5F1007ADNA#U0, R5F1007CDNA#U0, R5F1007DDNA#U0, R5F1007EDNA#U0<br>R5F1007ADNA#W0, R5F1007CDNA#W0, R5F1007DDNA#W0, R5F1007EDNA#W0 | PWQN0024KE-A   |
|           |   |  |  | G  | R5F1007AGNA#U0, R5F1007CGNA#U0, R5F1007DGNA#U0, R5F1007EGNA#U0<br>R5F1007AGNA#W0, R5F1007CGNA#W0, R5F1007DGNA#W0, R5F1007EGNA#W0 |
|           |   |  | R5F1007AGNA#20, R5F1007CGNA#20, R5F1007DGNA#20, R5F1007EGNA#20<br>R5F1007AGNA#40, R5F1007CGNA#40, R5F1007DGNA#40, R5F1007EGNA#40 |  |  |
|           |   |  | Not mounted  | A  | R5F1017AANA#U0, R5F1017CANA#U0, R5F1017DANA#U0, R5F1017EANA#U0<br>R5F1017AANA#W0, R5F1017CANA#W0, R5F1017DANA#W0, R5F1017EANA#W0 |
|           |   | R5F1017AANA#20, R5F1017CANA#20, R5F1017DANA#20, R5F1017EANA#20<br>R5F1017AANA#40, R5F1017CANA#40, R5F1017DANA#40, R5F1017EANA#40 |  |  | PWQN0024KF-A   |
|           |   | D  |  | R5F1017ADNA#U0, R5F1017CDNA#U0, R5F1017DDNA#U0, R5F1017EDNA#U0<br>R5F1017ADNA#W0, R5F1017CDNA#W0, R5F1017DDNA#W0, R5F1017EDNA#W0 | PWQN0024KE-A   |
|           |   |  |  |  |  |

**Note** For the fields of application, refer to **Figure 1-1 Part Number, Memory Size, and Package of RL78/G13**.

**Caution** The ordering part numbers represent the numbers at the time of publication. For the latest ordering part numbers, refer to the target product page of the Renesas Electronics website.

<R>

**Table 1-1. List of Ordering Part Numbers**

(3/25)

| Pin count | Package   | Data flash  | Fields of Application <sup>Note</sup> | Ordering Part Number   | RENESAS Code |
|-----------|---|-------------|---------------------------------------|--|--------------|
| 25 pins   | 25-pin plastic WFLGA (3 × 3 mm, 0.5 mm pitch)       | Mounted     | A                                     | R5F1008AALA#U0, R5F1008CALA#U0, R5F1008DALA#U0, R5F1008EALA#U0<br>R5F1008AALA#W0, R5F1008CALA#W0, R5F1008DALA#W0, R5F1008EALA#W0   | PWLG0025KA-A |
|           |   |             | G                                     | R5F1008AGLA#U0, R5F1008CGLA#U0, R5F1008DGLA#U0, R5F1008EGLA#U0<br>R5F1008AGLA#W0, R5F1008CGLA#W0, R5F1008DGLA#W0, R5F1008EGLA#W0   |              |
|           |   | Not mounted | A                                     | R5F1018AALA#U0, R5F1018CALA#U0, R5F1018DALA#U0, R5F1018EALA#U0<br>R5F1018AALA#W0, R5F1018CALA#W0, R5F1018DALA#W0, R5F1018EALA#W0   | PWLG0025KA-A |
| 30 pins   | 30-pin plastic LSSOP (7.62 mm (300), 0.65 mm pitch) | Mounted     | A                                     | R5F100AAASP#V0, R5F100ACASP#V0, R5F100ADASP#V0, R5F100AEASP#V0, R5F100AFASP#V0, R5F100AGASP#V0<br>R5F100AAASP#X0, R5F100ACASP#X0, R5F100ADASP#X0, R5F100AEASP#X0, R5F100AFASP#X0, R5F100AGASP#X0<br>R5F100AAASP#30, R5F100ACASP#30, R5F100ADASP#30, R5F100AEASP#30, R5F100AFASP#30, R5F100AGASP#30<br>R5F100AAASP#50, R5F100ACASP#50, R5F100ADASP#50, R5F100AEASP#50, R5F100AFASP#50, R5F100AGASP#50 | PLSP0030JB-B |
|           |   |             | D                                     | R5F100AADSP#V0, R5F100ACDSP#V0, R5F100ADDSP#V0, R5F100AEDSP#V0, R5F100AFDSP#V0, R5F100AGDSP#V0<br>R5F100AADSP#X0, R5F100ACDSP#X0, R5F100ADDSP#X0, R5F100AEDSP#X0, R5F100AFDSP#X0, R5F100AGDSP#X0<br>R5F100AADSP#30, R5F100ACDSP#30, R5F100ADDSP#30, R5F100AEDSP#30, R5F100AFDSP#30, R5F100AGDSP#30<br>R5F100AADSP#50, R5F100ACDSP#50, R5F100ADDSP#50, R5F100AEDSP#50, R5F100AFDSP#50, R5F100AGDSP#50 |              |
|           |   |             | G                                     | R5F100AAGSP#V0, R5F100ACGSP#V0, R5F100ADGSP#V0, R5F100AEGSP#V0, R5F100AFGSP#V0, R5F100AGGSP#V0<br>R5F100AAGSP#X0, R5F100ACGSP#X0, R5F100ADGSP#X0, R5F100AEGSP#X0, R5F100AFGSP#X0, R5F100AGGSP#X0<br>R5F100AAGSP#30, R5F100ACGSP#30, R5F100ADGSP#30, R5F100AEGSP#30, R5F100AFGSP#30, R5F100AGGSP#30<br>R5F100AAGSP#50, R5F100ACGSP#50, R5F100ADGSP#50, R5F100AEGSP#50, R5F100AFGSP#50, R5F100AGGSP#50 |              |

**Note** For the fields of application, refer to **Figure 1-1 Part Number, Memory Size, and Package of RL78/G13**.

**Caution** The ordering part numbers represent the numbers at the time of publication. For the latest ordering part numbers, refer to the target product page of the Renesas Electronics website.

<R>

Table 1-1. List of Ordering Part Numbers

(4/25)

| Pin count  | Package  | Data flash  | Fields of Application <small>Note</small> | Ordering Part Number   | RENESAS Code |
|--|--|-------------|---|--|--------------|
| 30 pins  | 30-pin plastic LSSOP<br>(7.62 mm (300), 0.65 mm pitch) | Not mounted | A   | R5F101AAASP#V0, R5F101ACASP#V0, R5F101ADASP#V0, R5F101AEASP#V0, R5F101AFASP#V0, R5F101AGASP#V0<br>R5F101AAASP#X0, R5F101ACASP#X0, R5F101ADASP#X0, R5F101AEASP#X0, R5F101AFASP#X0, R5F101AGASP#X0<br>R5F101AAASP#30, R5F101ACASP#30, R5F101ADASP#30, R5F101AEASP#30, R5F101AFASP#30, R5F101AGASP#30<br>R5F101AAASP#50, R5F101ACASP#50, R5F101ADASP#50, R5F101AEASP#50, R5F101AFASP#50, R5F101AGASP#50 | PLSP0030JB-B |
|  |  |             | D   | R5F101AADSP#V0, R5F101ACDSP#V0, R5F101ADDSP#V0, R5F101AEDSP#V0, R5F101AFDSP#V0, R5F101AGDSP#V0<br>R5F101AADSP#X0, R5F101ACDSP#X0, R5F101ADDSP#X0, R5F101AEDSP#X0, R5F101AFDSP#X0, R5F101AGDSP#X0<br>R5F101AADSP#30, R5F101ACDSP#30, R5F101ADDSP#30, R5F101AEDSP#30, R5F101AFDSP#30, R5F101AGDSP#30<br>R5F101AADSP#50, R5F101ACDSP#50, R5F101ADDSP#50, R5F101AEDSP#50, R5F101AFDSP#50, R5F101AGDSP#50 |              |
| 32 pins  | 32-pin plastic HWQFN<br>(5 × 5 mm, 0.5 mm pitch)       | Mounted     | A   | R5F100BAANA#U0, R5F100BCANA#U0, R5F100BDANA#U0, R5F100BEANA#U0, R5F100BFANA#U0, R5F100BGANA#U0<br>R5F100BAANA#W0, R5F100BCANA#W0, R5F100BDANA#W0, R5F100BEANA#W0, R5F100BFANA#W0, R5F100BGANA#W0   | PWQN0032KB-A |
|  |  |             |   | R5F100BAANA#20, R5F100BCANA#20, R5F100BDANA#20, R5F100BEANA#20, R5F100BFANA#20, R5F100BGANA#20<br>R5F100BAANA#40, R5F100BCANA#40, R5F100BDANA#40, R5F100BEANA#40, R5F100BFANA#40, R5F100BGANA#40   | PWQN0032KE-A |
|  |  |             | D   | R5F100BADNA#U0, R5F100BCDNA#U0, R5F100BDDNA#U0, R5F100BEDNA#U0, R5F100BFDNA#U0, R5F100BGDNA#U0<br>R5F100BADNA#W0, R5F100BCDNA#W0, R5F100BDDNA#W0, R5F100BEDNA#W0, R5F100BFDNA#W0, R5F100BGDNA#W0   | PWQN0032KB-A |
|  |  |             | G   | R5F100BAGNA#U0, R5F100BCGNA#U0, R5F100BDGNA#U0, R5F100BEGNA#U0, R5F100BFGNA#U0, R5F100BGGNA#U0<br>R5F100BAGNA#W0, R5F100BCGNA#W0, R5F100BDGNA#W0, R5F100BEGNA#W0, R5F100BFGNA#W0, R5F100BGGNA#W0   | PWQN0032KE-A |
| R5F100BAGNA#20, R5F100BCGNA#20, R5F100BDGNA#20, R5F100BEGNA#20, R5F100BFGNA#20, R5F100BGGNA#20<br>R5F100BAGNA#40, R5F100BCGNA#40, R5F100BDGNA#40, R5F100BEGNA#40, R5F100BFGNA#40, R5F100BGGNA#40 |  |             |   |  |              |

**Note** For the fields of application, refer to **Figure 1-1 Part Number, Memory Size, and Package of RL78/G13**.

**Caution** The ordering part numbers represent the numbers at the time of publication. For the latest ordering part numbers, refer to the target product page of the Renesas Electronics website.

<R>

**Table 1-1. List of Ordering Part Numbers**

(5/25)

| Pin count | Package                                       | Data flash  | Fields of Application <sup>Note</sup> | Ordering Part Number   | RENESAS Code |
|-----------|---|-------------|---------------------------------------|--|--------------|
| 32 pins   | 32-pin plastic HWQFN (5 × 5 mm, 0.5 mm pitch) | Not mounted | A                                     | R5F101BAANA#U0, R5F101BCANA#U0, R5F101BDANA#U0, R5F101BEANA#U0, R5F101BFANA#U0, R5F101BGANA#U0<br>R5F101BAANA#W0, R5F101BCANA#W0, R5F101BDANA#W0, R5F101BEANA#W0, R5F101BFANA#W0, R5F101BGANA#W0 | PWQN0032KB-A |
|           |   |             |                                       | R5F101BAANA#20, R5F101BCANA#20, R5F101BDANA#20, R5F101BEANA#20, R5F101BFANA#20, R5F101BGANA#20<br>R5F101BAANA#40, R5F101BCANA#40, R5F101BDANA#40, R5F101BEANA#40, R5F101BFANA#40, R5F101BGANA#40 | PWQN0032KE-A |
|           |   |             | D                                     | R5F101BADNA#U0, R5F101BCDNA#U0, R5F101BDDNA#U0, R5F101BEDNA#U0, R5F101BFDNA#U0, R5F101BGDNA#U0<br>R5F101BADNA#W0, R5F101BCDNA#W0, R5F101BDDNA#W0, R5F101BEDNA#W0, R5F101BFDNA#W0, R5F101BGDNA#W0 | PWQN0032KB-A |
| 36 pins   | 36-pin plastic WFLGA (4 × 4 mm, 0.5 mm pitch) | Mounted     | A                                     | R5F100CAALA#U0, R5F100CCALA#U0, R5F100CDALA#U0, R5F100CEALA#U0, R5F100CFALA#U0, R5F100CGALA#U0<br>R5F100CAALA#W0, R5F100CCALA#W0, R5F100CDALA#W0, R5F100CEALA#W0, R5F100CFALA#W0, R5F100CGALA#W0 | PWLG0036KA-A |
|           |   |             | G                                     | R5F100CAGLA#U0, R5F100CCGLA#U0, R5F100CDGLA#U0, R5F100CEGLA#U0, R5F100CFGLA#U0, R5F100CGGLA#U0<br>R5F100CAGLA#W0, R5F100CCGLA#W0, R5F100CDGLA#W0, R5F100CEGLA#W0, R5F100CFGLA#W0, R5F100CGGLA#W0 |              |
|           |   | Not mounted | A                                     | R5F101CAALA#U0, R5F101CCALA#U0, R5F101CDALA#U0, R5F101CEALA#U0, R5F101CFALA#U0, R5F101CGALA#U0<br>R5F101CAALA#W0, R5F101CCALA#W0, R5F101CDALA#W0, R5F101CEALA#W0, R5F101CFALA#W0, R5F101CGALA#W0 | PWLG0036KA-A |

**Note** For the fields of application, refer to **Figure 1-1 Part Number, Memory Size, and Package of RL78/G13**.

**Caution** The ordering part numbers represent the numbers at the time of publication. For the latest ordering part numbers, refer to the target product page of the Renesas Electronics website.



<R>

**Table 1-1. List of Ordering Part Numbers**

(6/25)

| Pin count | Package                                       | Data flash  | Fields of Application <sup>Note</sup> | Ordering Part Number   | RENESAS Code |              |
|-----------|---|-------------|---------------------------------------|--|--------------|--------------|
| 40 pins   | 40-pin plastic HWQFN (6 × 6 mm, 0.5 mm pitch) | Mounted     | A                                     | R5F100EAANA#U0, R5F100ECANA#U0, R5F100EDANA#U0, R5F100EEANA#U0, R5F100EFANA#U0, R5F100EGANA#U0, R5F100EHANA#U0<br>R5F100EAANA#W0, R5F100ECANA#W0, R5F100EDANA#W0, R5F100EEANA#W0, R5F100EFANA#W0, R5F100EGANA#W0, R5F100EHANA#W0 | PWQN0040KC-A |              |
|           |   |             | D                                     | R5F100EADNA#U0, R5F100ECDNA#U0, R5F100EDDNA#U0, R5F100EEDNA#U0, R5F100EFDNA#U0, R5F100EGDNA#U0, R5F100EHDNA#U0<br>R5F100EADNA#W0, R5F100ECDNA#W0, R5F100EDDNA#W0, R5F100EEDNA#W0, R5F100EFDNA#W0, R5F100EGDNA#W0, R5F100EHDNA#W0 |              |              |
|           |   |             | G                                     | R5F100EAGNA#U0, R5F100ECGNA#U0, R5F100EDGNA#U0, R5F100EEGNA#U0, R5F100EFGNA#U0, R5F100EGGNA#U0, R5F100EHGNA#U0<br>R5F100EAGNA#W0, R5F100ECGNA#W0, R5F100EDGNA#W0, R5F100EEGNA#W0, R5F100EFGNA#W0, R5F100EGGNA#W0, R5F100EHGNA#W0 |              |              |
|           |   | Not mounted | A                                     | R5F101EAANA#U0, R5F101ECANA#U0, R5F101EDANA#U0, R5F101EEANA#U0, R5F101EFANA#U0, R5F101EGANA#U0, R5F101EHANA#U0<br>R5F101EAANA#W0, R5F101ECANA#W0, R5F101EDANA#W0, R5F101EEANA#W0, R5F101EFANA#W0, R5F101EGANA#W0, R5F101EHANA#W0 |              | PWQN0040KC-A |
|           |   |             | D                                     | R5F101EADNA#U0, R5F101ECDNA#U0, R5F101EDDNA#U0, R5F101EEDNA#U0, R5F101EFDNA#U0, R5F101EGDNA#U0, R5F101EHDNA#U0<br>R5F101EADNA#W0, R5F101ECDNA#W0, R5F101EDDNA#W0, R5F101EEDNA#W0, R5F101EFDNA#W0, R5F101EGDNA#W0, R5F101EHDNA#W0 |              |              |
|           |   |             | G                                     | R5F101EAGNA#U0, R5F101ECGNA#U0, R5F101EDGNA#U0, R5F101EEGNA#U0, R5F101EFGNA#U0, R5F101EGGNA#U0, R5F101EHGNA#U0<br>R5F101EAGNA#W0, R5F101ECGNA#W0, R5F101EDGNA#W0, R5F101EEGNA#W0, R5F101EFGNA#W0, R5F101EGGNA#W0, R5F101EHGNA#W0 |              |              |

**Note** For the fields of application, refer to **Figure 1-1 Part Number, Memory Size, and Package of RL78/G13**.

**Caution** The ordering part numbers represent the numbers at the time of publication. For the latest ordering part numbers, refer to the target product page of the Renesas Electronics website.

<R>

**Table 1-1. List of Ordering Part Numbers**

(7/25)

| Pin count | Package  | Data flash | Fields of Application <sup>Note</sup>  | Ordering Part Number   | RENESAS Code   |
|-----------|--|------------|--|--|--|
| 44 pins   | 44-pin plastic LQFP (10 × 10 mm, 0.8 mm pitch) | Mounted    | A  | R5F100FAAFP#V0, R5F100FCAFP#V0, R5F100FDAFP#V0, R5F100FEAFP#V0, R5F100FFAFP#V0, R5F100FGAFP#V0, R5F100FHAFP#V0, R5F100FJAFP#V0, R5F100FKAFP#V0, R5F100FLAFP#V0<br>R5F100FAAFP#X0, R5F100FCAFP#X0, R5F100FDAFP#X0, R5F100FEAFP#X0, R5F100FFAFP#X0, R5F100FGAFP#X0, R5F100FHAFP#X0, R5F100FJAFP#X0, R5F100FKAFP#X0, R5F100FLAFP#X0 | PLQP0044GC-A   |
|           |  |            |  | R5F100FAAFP#30, R5F100FCAFP#30, R5F100FDAFP#30, R5F100FEAFP#30, R5F100FFAFP#30, R5F100FGAFP#30, R5F100FHAFP#30, R5F100FJAFP#30, R5F100FKAFP#30, R5F100FLAFP#30<br>R5F100FAAFP#50, R5F100FCAFP#50, R5F100FDAFP#50, R5F100FEAFP#50, R5F100FFAFP#50, R5F100FGAFP#50, R5F100FHAFP#50, R5F100FJAFP#50, R5F100FKAFP#50, R5F100FLAFP#50 | PLQP0044GC-A/<br>PLQP0044GC-D  |
|           |  |            |  | D  | R5F100FADFP#V0, R5F100FCDFP#V0, R5F100FDDFP#V0, R5F100FEDFP#V0, R5F100FFDFP#V0, R5F100FGDFP#V0, R5F100FHDFP#V0, R5F100FJDFP#V0, R5F100FKDFP#V0, R5F100FLDFP#V0<br>R5F100FADFP#X0, R5F100FCDFP#X0, R5F100FDDFP#X0, R5F100FEDFP#X0, R5F100FFDFP#X0, R5F100FGDFP#X0, R5F100FHDFP#X0, R5F100FJDFP#X0, R5F100FKDFP#X0, R5F100FLDFP#X0 |
|           |  |            | R5F100FADFP#30, R5F100FCDFP#30, R5F100FDDFP#30, R5F100FEDFP#30, R5F100FFDFP#30, R5F100FGDFP#30, R5F100FHDFP#30, R5F100FJDFP#30, R5F100FKDFP#30, R5F100FLDFP#30<br>R5F100FADFP#50, R5F100FCDFP#50, R5F100FDDFP#50, R5F100FEDFP#50, R5F100FFDFP#50, R5F100FGDFP#50, R5F100FHDFP#50, R5F100FJDFP#50, R5F100FKDFP#50, R5F100FLDFP#50 | PLQP0044GC-A/<br>PLQP0044GC-D  |  |

**Note** For the fields of application, refer to **Figure 1-1 Part Number, Memory Size, and Package of RL78/G13**.

**Caution** The ordering part numbers represent the numbers at the time of publication. For the latest ordering part numbers, refer to the target product page of the Renesas Electronics website.

&lt;R&gt;

Table 1-1. List of Ordering Part Numbers

(8/25)

| Pin count | Package  | Data flash | Fields of Application <sup>Note</sup> | Ordering Part Number   | RENESAS Code                  |
|-----------|--|------------|---------------------------------------|--|-------------------------------|
| 44 pins   | 44-pin plastic LQFP<br>(10 × 10 mm,<br>0.8 mm pitch) | Mounted    | G                                     | R5F100FAGFP#V0, R5F100FCGFP#V0, R5F100FDGFP#V0,<br>R5F100FEGFP#V0, R5F100FFGFP#V0, R5F100FGGFP#V0,<br>R5F100FHGFP#V0, R5F100FJGFP#V0<br>R5F100FAGFP#X0, R5F100FCGFP#X0, R5F100FDGFP#X0,<br>R5F100FEGFP#X0, R5F100FFGFP#X0, R5F100FGGFP#X0,<br>R5F100FHGFP#X0, R5F100FJGFP#X0 | PLQP0044GC-A                  |
|           |  |            |                                       | R5F100FAGFP#30, R5F100FCGFP#30, R5F100FDGFP#30,<br>R5F100FEGFP#30, R5F100FFGFP#30, R5F100FGGFP#30,<br>R5F100FHGFP#30, R5F100FJGFP#30<br>R5F100FAGFP#50, R5F100FCGFP#50, R5F100FDGFP#50,<br>R5F100FEGFP#50, R5F100FFGFP#50, R5F100FGGFP#50,<br>R5F100FHGFP#50, R5F100FJGFP#50 | PLQP0044GC-A/<br>PLQP0044GC-D |

**Note** For the fields of application, refer to **Figure 1-1 Part Number, Memory Size, and Package of RL78/G13**.

**Caution** The ordering part numbers represent the numbers at the time of publication. For the latest ordering part numbers, refer to the target product page of the Renesas Electronics website.

<R>

**Table 1-1. List of Ordering Part Numbers**

(9/25)

| Pin count | Package  | Data flash  | Fields of Application <sup>Note</sup>  | Ordering Part Number   | RENESAS Code   |
|-----------|--|-------------|--|--|--|
| 44 pins   | 44-pin plastic LQFP (10 × 10 mm, 0.8 mm pitch) | Not mounted | A  | R5F101FAAFP#V0, R5F101FCAFP#V0, R5F101FDAFP#V0, R5F101FEAFP#V0, R5F101FFAFP#V0, R5F101FGAFP#V0, R5F101FHAFP#V0, R5F101FJAFP#V0, R5F101FKAFP#V0, R5F101FLAFP#V0<br>R5F101FAAFP#X0, R5F101FCAFP#X0, R5F101FDAFP#X0, R5F101FEAFP#X0, R5F101FFAFP#X0, R5F101FGAFP#X0, R5F101FHAFP#X0, R5F101FJAFP#X0, R5F101FKAFP#X0, R5F101FLAFP#X0 | PLQP0044GC-A   |
|           |  |             |  | R5F101FAAFP#30, R5F101FCAFP#30, R5F101FDAFP#30, R5F101FEAFP#30, R5F101FFAFP#30, R5F101FGAFP#30, R5F101FHAFP#30, R5F101FJAFP#30, R5F101FKAFP#30, R5F101FLAFP#30<br>R5F101FAAFP#50, R5F101FCAFP#50, R5F101FDAFP#50, R5F101FEAFP#50, R5F101FFAFP#50, R5F101FGAFP#50, R5F101FHAFP#50, R5F101FJAFP#50, R5F101FKAFP#50, R5F101FLAFP#50 | PLQP0044GC-A/<br>PLQP0044GC-D  |
|           |  |             |  | D  | R5F101FADFP#V0, R5F101FCDFP#V0, R5F101FDDFP#V0, R5F101FEDFP#V0, R5F101FFDFP#V0, R5F101FGDFP#V0, R5F101FHDFP#V0, R5F101FJDFP#V0, R5F101FKDFP#V0, R5F101FLDFP#V0<br>R5F101FADFP#X0, R5F101FCDFP#X0, R5F101FDDFP#X0, R5F101FEDFP#X0, R5F101FFDFP#X0, R5F101FGDFP#X0, R5F101FHDFP#X0, R5F101FJDFP#X0, R5F101FKDFP#X0, R5F101FLDFP#X0 |
|           |  |             | R5F101FADFP#30, R5F101FCDFP#30, R5F101FDDFP#30, R5F101FEDFP#30, R5F101FFDFP#30, R5F101FGDFP#30, R5F101FHDFP#30, R5F101FJDFP#30, R5F101FKDFP#30, R5F101FLDFP#30<br>R5F101FADFP#50, R5F101FCDFP#50, R5F101FDDFP#50, R5F101FEDFP#50, R5F101FFDFP#50, R5F101FGDFP#50, R5F101FHDFP#50, R5F101FJDFP#50, R5F101FKDFP#50, R5F101FLDFP#50 | PLQP0044GC-A/<br>PLQP0044GC-D  |  |

**Note** For the fields of application, refer to **Figure 1-1 Part Number, Memory Size, and Package of RL78/G13**.

**Caution** The ordering part numbers represent the numbers at the time of publication. For the latest ordering part numbers, refer to the target product page of the Renesas Electronics website.

<R>

**Table 1-1. List of Ordering Part Numbers**

(10/25)

| Pin count | Package                                       | Data flash | Fields of Application <sup>Note</sup>  | Ordering Part Number   | RENESAS Code |  |  |              |
|-----------|---|------------|--|--|--------------|--|--|--------------|
| 48 pins   | 48-pin plastic LFQFP (7 × 7 mm, 0.5 mm pitch) | Mounted    | A  | R5F100GAAFB#V0, R5F100GCAFB#V0, R5F100GDAFB#V0, R5F100GEAFB#V0, R5F100GFAFB#V0, R5F100GGAFB#V0, R5F100GHAFB#V0, R5F100GJAFB#V0, R5F100GKAFB#V0, R5F100GLAFB#V0 | PLQP0048KF-A |  |  |              |
|           |   |            |  | R5F100GAAFB#X0, R5F100GCAFB#X0, R5F100GDAFB#X0, R5F100GEAFB#X0, R5F100GFAFB#X0, R5F100GGAFB#X0, R5F100GHAFB#X0, R5F100GJAFB#X0, R5F100GKAFB#X0, R5F100GLAFB#X0 |              |  |  |              |
|           |   |            |  | R5F100GAAFB#30, R5F100GCAFB#30, R5F100GDAFB#30, R5F100GEAFB#30, R5F100GFAFB#30, R5F100GGAFB#30, R5F100GHAFB#30, R5F100GJAFB#30, R5F100GKAFB#30, R5F100GLAFB#30 |              |  |  |              |
|           |   |            |  |  |              |  |  |              |
|           |   |            |  |  |              | D  | R5F100GADFB#V0, R5F100GCDFB#V0, R5F100GDDFB#V0, R5F100GEDFB#V0, R5F100GFDFB#V0, R5F100GGDFB#V0, R5F100GHDFB#V0, R5F100GJDFB#V0, R5F100GKDFB#V0, R5F100GLDFB#V0 | PLQP0048KF-A |
|           |   |            |  |  |              | R5F100GADFB#X0, R5F100GCDFB#X0, R5F100GDDFB#X0, R5F100GEDFB#X0, R5F100GFDFB#X0, R5F100GGDFB#X0, R5F100GHDFB#X0, R5F100GJDFB#X0, R5F100GKDFB#X0, R5F100GLDFB#X0 |  |              |
|           |   |            | R5F100GADFB#30, R5F100GCDFB#30, R5F100GDDFB#30, R5F100GEDFB#30, R5F100GFDFB#30, R5F100GGDFB#30, R5F100GHDFB#30, R5F100GJDFB#30, R5F100GKDFB#30, R5F100GLDFB#30 |  |              |  |  |              |
|           |   |            |  | R5F100GADFB#50, R5F100GCDFB#50, R5F100GDDFB#50, R5F100GEDFB#50, R5F100GFDFB#50, R5F100GGDFB#50, R5F100GHDFB#50, R5F100GJDFB#50, R5F100GKDFB#50, R5F100GLDFB#50 | PLQP0048KB-B |  |  |              |

**Note** For the fields of application, refer to **Figure 1-1 Part Number, Memory Size, and Package of RL78/G13**.

**Caution** The ordering part numbers represent the numbers at the time of publication. For the latest ordering part numbers, refer to the target product page of the Renesas Electronics website.

&lt;R&gt;

Table 1-1. List of Ordering Part Numbers

(11/25)

| Pin count | Package  | Data flash | Fields of Application <sup>Note</sup> | Ordering Part Number   | RENESAS Code |
|-----------|--|------------|---------------------------------------|--|--------------|
| 48 pins   | 48-pin plastic LQFP<br>(7 × 7 mm,<br>0.5 mm pitch) | Mounted    | G                                     | R5F100GAGFB#V0, R5F100GCGFB#V0, R5F100GDGFB#V0,<br>R5F100GEGFB#V0, R5F100GFGFB#V0, R5F100GGGFB#V0,<br>R5F100GHGFB#V0, R5F100JGFB#V0<br>R5F100GAGFB#X0, R5F100GCGFB#X0, R5F100GDGFB#X0,<br>R5F100GEGFB#X0, R5F100GFGFB#X0, R5F100GGGFB#X0,<br>R5F100GHGFB#X0, R5F100JGFB#X0 | PLQP0048KF-A |
|           |  |            |                                       | R5F100GAGFB#30, R5F100GCGFB#30, R5F100GDGFB#30,<br>R5F100GEGFB#30, R5F100GFGFB#30, R5F100GGGFB#30,<br>R5F100GHGFB#30, R5F100JGFB#30<br>R5F100GAGFB#50, R5F100GCGFB#50, R5F100GDGFB#50,<br>R5F100GEGFB#50, R5F100GFGFB#50, R5F100GGGFB#50,<br>R5F100GHGFB#50, R5F100JGFB#50 | PLQP0048KB-B |

**Note** For the fields of application, refer to **Figure 1-1 Part Number, Memory Size, and Package of RL78/G13**.

**Caution** The ordering part numbers represent the numbers at the time of publication. For the latest ordering part numbers, refer to the target product page of the Renesas Electronics website.

<R>

**Table 1-1. List of Ordering Part Numbers**

(12/25)

| Pin count | Package  | Data flash   | Fields of Application <sup>Note</sup> | Ordering Part Number   | RENESAS Code |              |
|-----------|--|--------------|---------------------------------------|--|--------------|--------------|
| 48 pins   | 48-pin plastic LFQFP (7 × 7 mm, 0.5 mm pitch)  | Not mounted  | A                                     | R5F101GAAFB#V0, R5F101GCAFB#V0, R5F101GDAFB#V0, R5F101GEAFB#V0, R5F101GFAFB#V0, R5F101GGAFB#V0, R5F101GHAFB#V0, R5F101GJAFB#V0, R5F101GKAFB#V0, R5F101GLAFB#V0 | PLQP0048KF-A |              |
|           |  |              |                                       | R5F101GAAFB#X0, R5F101GCAFB#X0, R5F101GDAFB#X0, R5F101GEAFB#X0, R5F101GFAFB#X0, R5F101GGAFB#X0, R5F101GHAFB#X0, R5F101GJAFB#X0, R5F101GKAFB#X0, R5F101GLAFB#X0 |              |              |
|           |  |              |                                       | R5F101GAAFB#30, R5F101GCAFB#30, R5F101GDAFB#30, R5F101GEAFB#30, R5F101GFAFB#30, R5F101GGAFB#30, R5F101GHAFB#30, R5F101GJAFB#30, R5F101GKAFB#30, R5F101GLAFB#30 |              |              |
|           |  |              | D                                     | R5F101GAAFB#50, R5F101GCAFB#50, R5F101GDAFB#50, R5F101GEAFB#50, R5F101GFAFB#50, R5F101GGAFB#50, R5F101GHAFB#50, R5F101GJAFB#50, R5F101GKAFB#50, R5F101GLAFB#50 | PLQP0048KB-B |              |
|           |  |              |                                       | R5F101GADFB#V0, R5F101GCDFB#V0, R5F101GDDFB#V0, R5F101GEDFB#V0, R5F101GFDFB#V0, R5F101GGDFB#V0, R5F101GHDFB#V0, R5F101GJDFB#V0, R5F101GKDFB#V0, R5F101GLDFB#V0 |              | PLQP0048KF-A |
|           |  |              |                                       | R5F101GADFB#X0, R5F101GCDFB#X0, R5F101GDDFB#X0, R5F101GEDFB#X0, R5F101GFDFB#X0, R5F101GGDFB#X0, R5F101GHDFB#X0, R5F101GJDFB#X0, R5F101GKDFB#X0, R5F101GLDFB#X0 |              |              |
| D         | R5F101GADFB#30, R5F101GCDFB#30, R5F101GDDFB#30, R5F101GEDFB#30, R5F101GFDFB#30, R5F101GGDFB#30, R5F101GHDFB#30, R5F101GJDFB#30, R5F101GKDFB#30, R5F101GLDFB#30 | PLQP0048KB-B |                                       |  |              |              |
|           | R5F101GADFB#50, R5F101GCDFB#50, R5F101GDDFB#50, R5F101GEDFB#50, R5F101GFDFB#50, R5F101GGDFB#50, R5F101GHDFB#50, R5F101GJDFB#50, R5F101GKDFB#50, R5F101GLDFB#50 |              |                                       |  |              |              |
|           | R5F101GADFB#50, R5F101GCDFB#50, R5F101GDDFB#50, R5F101GEDFB#50, R5F101GFDFB#50, R5F101GGDFB#50, R5F101GHDFB#50, R5F101GJDFB#50, R5F101GKDFB#50, R5F101GLDFB#50 |              |                                       |  |              |              |

**Note** For the fields of application, refer to **Figure 1-1 Part Number, Memory Size, and Package of RL78/G13**.

**Caution** The ordering part numbers represent the numbers at the time of publication. For the latest ordering part numbers, refer to the target product page of the Renesas Electronics website.

&lt;R&gt;

Table 1-1. List of Ordering Part Numbers

(13/25)

| Pin count | Package   | Data flash | Fields of Application <sup>Note</sup> | Ordering Part Number   | RENESAS Code |
|-----------|---|------------|---------------------------------------|--|--------------|
| 48 pins   | 48-pin plastic HWQFN<br>(7 × 7 mm,<br>0.5 mm pitch) | Mounted    | A                                     | R5F100GAANA#U0, R5F100GCANA#U0, R5F100GDANA#U0,<br>R5F100GEANA#U0, R5F100GFANA#U0, R5F100GGANA#U0,<br>R5F100GHANA#U0, R5F100GJANA#U0, R5F100GKANA#U0,<br>R5F100GLANA#U0<br>R5F100GAANA#W0, R5F100GCANA#W0, R5F100GDANA#W0,<br>R5F100GEANA#W0, R5F100GFANA#W0, R5F100GGANA#W0,<br>R5F100GHANA#W0, R5F100GJANA#W0, R5F100GKANA#W0,<br>R5F100GLANA#W0 | PWQN0048KB-A |
|           |   |            | D                                     | R5F100GADNA#U0, R5F100GCDNA#U0, R5F100GDDNA#U0,<br>R5F100GEDNA#U0, R5F100GFDNA#U0, R5F100GGDNA#U0,<br>R5F100GHDNA#U0, R5F100GJDNA#U0, R5F100GKDNA#U0,<br>R5F100GLDNA#U0<br>R5F100GADNA#W0, R5F100GCDNA#W0, R5F100GDDNA#W0,<br>R5F100GEDNA#W0, R5F100GFDNA#W0, R5F100GGDNA#W0,<br>R5F100GHDNA#W0, R5F100GJDNA#W0, R5F100GKDNA#W0,<br>R5F100GLDNA#W0 |              |
|           |   |            | G                                     | R5F100GAGNA#U0, R5F100GCGNA#U0, R5F100GDGNA#U0,<br>R5F100GEGNA#U0, R5F100GFGNA#U0, R5F100GGGNA#U0,<br>R5F100GHGNA#U0, R5F100GJGNA#U0<br>R5F100GAGNA#W0, R5F100GCGNA#W0, R5F100GDGNA#W0,<br>R5F100GEGNA#W0, R5F100GFGNA#W0, R5F100GGGNA#W0,<br>R5F100GHGNA#W0, R5F100GJGNA#W0   |              |

**Note** For the fields of application, refer to **Figure 1-1 Part Number, Memory Size, and Package of RL78/G13**.

**Caution** The ordering part numbers represent the numbers at the time of publication. For the latest ordering part numbers, refer to the target product page of the Renesas Electronics website.



&lt;R&gt;

Table 1-1. List of Ordering Part Numbers

(14/25)

| Pin count | Package                                       | Data flash  | Fields of Application <sup>Note</sup> | Ordering Part Number   | RENESAS Code |
|-----------|---|-------------|---------------------------------------|--|--------------|
| 48 pins   | 48-pin plastic HWQFN (7 × 7 mm, 0.5 mm pitch) | Not mounted | A                                     | R5F101GAANA#U0, R5F101GCANA#U0, R5F101GDANA#U0, R5F101GEANA#U0, R5F101GFANA#U0, R5F101GGANA#U0, R5F101GHANA#U0, R5F101GJANA#U0, R5F101GKANA#U0, R5F101GLANA#U0<br>R5F101GAANA#W0, R5F101GCANA#W0, R5F101GDANA#W0, R5F101GEANA#W0, R5F101GFANA#W0, R5F101GGANA#W0, R5F101GHANA#W0, R5F101GJANA#W0, R5F101GKANA#W0, R5F101GLANA#W0 | PWQN0048KB-A |
|           |   |             | D                                     | R5F101GADNA#U0, R5F101GCDNA#U0, R5F101GDDNA#U0, R5F101GEDNA#U0, R5F101GFDNA#U0, R5F101GGDNA#U0, R5F101GHDNA#U0, R5F101GJDNA#U0, R5F101GKDNA#U0, R5F101GLDNA#U0<br>R5F101GADNA#W0, R5F101GCDNA#W0, R5F101GDDNA#W0, R5F101GEDNA#W0, R5F101GFDNA#W0, R5F101GGDNA#W0, R5F101GHDNA#W0, R5F101GJDNA#W0, R5F101GKDNA#W0, R5F101GLDNA#W0 |              |

**Note** For the fields of application, refer to **Figure 1-1 Part Number, Memory Size, and Package of RL78/G13**.

**Caution** The ordering part numbers represent the numbers at the time of publication. For the latest ordering part numbers, refer to the target product page of the Renesas Electronics website.

<R>

**Table 1-1. List of Ordering Part Numbers**

(15/25)

| Pin count | Package   | Data flash | Fields of Application <small>Note</small> | Ordering Part Number   | RENESAS Code |
|-----------|---|------------|---|--|--------------|
| 52 pins   | 52-pin plastic LQFP (10 × 10 mm, 0.65 mm pitch) | Mounted    | A   | R5F100JCAFA#V0, R5F100JDAFA#V0, R5F100JEAFA#V0, R5F100JFAFA#V0, R5F100JGAFA#V0, R5F100JHAFA#V0, R5F100JJAFA#V0, R5F100JKAFA#V0, R5F100JLAFA#V0<br>R5F100JCAFA#X0, R5F100JDAFA#X0, R5F100JEAFA#X0, R5F100JFAFA#X0, R5F100JGAFA#X0, R5F100JHAFA#X0, R5F100JJAFA#X0, R5F100JKAFA#X0, R5F100JLAFA#X0<br>R5F100JCAFA#30, R5F100JDAFA#30, R5F100JEAFA#30, R5F100JFAFA#30, R5F100JGAFA#30, R5F100JHAFA#30, R5F100JJAFA#30, R5F100JKAFA#30, R5F100JLAFA#30<br>R5F100JCAFA#50, R5F100JDAFA#50, R5F100JEAFA#50, R5F100JFAFA#50, R5F100JGAFA#50, R5F100JHAFA#50, R5F100JJAFA#50, R5F100JKAFA#50, R5F100JLAFA#50 | PLQP0052JA-A |
|           |   |            | D   | R5F100JCDFA#V0, R5F100JDDFA#V0, R5F100JEDFA#V0, R5F100JFDFA#V0, R5F100JGDFA#V0, R5F100JHDFA#V0, R5F100JJDFA#V0, R5F100JKDFA#V0, R5F100JLDFA#V0<br>R5F100JCDFA#X0, R5F100JDDFA#X0, R5F100JEDFA#X0, R5F100JFDFA#X0, R5F100JGDFA#X0, R5F100JHDFA#X0, R5F100JJDFA#X0, R5F100JKDFA#X0, R5F100JLDFA#X0<br>R5F100JCDFA#30, R5F100JDDFA#30, R5F100JEDFA#30, R5F100JFDFA#30, R5F100JGDFA#30, R5F100JHDFA#30, R5F100JJDFA#30, R5F100JKDFA#30, R5F100JLDFA#30<br>R5F100JCDFA#50, R5F100JDDFA#50, R5F100JEDFA#50, R5F100JFDFA#50, R5F100JGDFA#50, R5F100JHDFA#50, R5F100JJDFA#50, R5F100JKDFA#50, R5F100JLDFA#50 |              |
|           |   |            | G   | R5F100JCGFA#V0, R5F100JDGFA#V0, R5F100JEGFA#V0, R5F100JFGFA#V0, R5F100JGGFA#V0, R5F100JHGFA#V0, R5F100JJGFA#V0<br>R5F100JCGFA#X0, R5F100JDGFA#X0, R5F100JEGFA#X0, R5F100JFGFA#X0, R5F100JGGFA#X0, R5F100JHGFA#X0, R5F100JJGFA#X0<br>R5F100JCGFA#30, R5F100JDGFA#30, R5F100JEGFA#30, R5F100JFGFA#30, R5F100JGGFA#30, R5F100JHGFA#30, R5F100JJGFA#30<br>R5F100JCGFA#50, R5F100JDGFA#50, R5F100JEGFA#50, R5F100JFGFA#50, R5F100JGGFA#50, R5F100JHGFA#50, R5F100JJGFA#50   |              |

**Note** For the fields of application, refer to **Figure 1-1 Part Number, Memory Size, and Package of RL78/G13.**

**Caution** The ordering part numbers represent the numbers at the time of publication. For the latest ordering part numbers, refer to the target product page of the Renesas Electronics website.

<R>

**Table 1-1. List of Ordering Part Numbers**

(16/25)

| Pin count | Package   | Data flash  | Fields of Application <sup>Note</sup> | Ordering Part Number   | RENESAS Code |
|-----------|---|-------------|---------------------------------------|--|--------------|
| 52 pins   | 52-pin plastic LQFP (10 × 10 mm, 0.65 mm pitch) | Not mounted | A                                     | R5F101JCAFA#V0, R5F101JDAFA#V0, R5F101JEAFA#V0, R5F101JFAFA#V0, R5F101JGAFa#V0, R5F101JHAFa#V0, R5F101JJAFa#V0, R5F101JKAFa#V0, R5F101JLAFa#V0<br>R5F101JCAFA#X0, R5F101JDAFA#X0, R5F101JEAFA#X0, R5F101JFAFA#X0, R5F101JGAFa#X0, R5F101JHAFa#X0, R5F101JJAFa#X0, R5F101JKAFa#X0, R5F101JLAFa#X0<br>R5F101JCAFA#30, R5F101JDAFA#30, R5F101JEAFA#30, R5F101JFAFA#30, R5F101JGAFa#30, R5F101JHAFa#30, R5F101JJAFa#30, R5F101JKAFa#30, R5F101JLAFa#30<br>R5F101JCAFA#50, R5F101JDAFA#50, R5F101JEAFA#50, R5F101JFAFA#50, R5F101JGAFa#50, R5F101JHAFa#50, R5F101JJAFa#50, R5F101JKAFa#50, R5F101JLAFa#50 | PLQP0052JA-A |
|           |   |             | D                                     | R5F101JCDFA#V0, R5F101JDDFA#V0, R5F101JEDFA#V0, R5F101JFDFA#V0, R5F101JGDFA#V0, R5F101JHDFA#V0, R5F101JJDFA#V0, R5F101JKDFA#V0, R5F101JLDFA#V0<br>R5F101JCDFA#X0, R5F101JDDFA#X0, R5F101JEDFA#X0, R5F101JFDFA#X0, R5F101JGDFA#X0, R5F101JHDFA#X0, R5F101JJDFA#X0, R5F101JKDFA#X0, R5F101JLDFA#X0<br>R5F101JCDFA#30, R5F101JDDFA#30, R5F101JEDFA#30, R5F101JFDFA#30, R5F101JGDFA#30, R5F101JHDFA#30, R5F101JJDFA#30, R5F101JKDFA#30, R5F101JLDFA#30<br>R5F101JCDFA#50, R5F101JDDFA#50, R5F101JEDFA#50, R5F101JFDFA#50, R5F101JGDFA#50, R5F101JHDFA#50, R5F101JJDFA#50, R5F101JKDFA#50, R5F101JLDFA#50 |              |

**Note** For the fields of application, refer to **Figure 1-1 Part Number, Memory Size, and Package of RL78/G13.**

**Caution** The ordering part numbers represent the numbers at the time of publication. For the latest ordering part numbers, refer to the target product page of the Renesas Electronics website.

<R>

**Table 1-1. List of Ordering Part Numbers**

(17/25)

| Pin count | Package   | Data flash | Fields of Application <small>Note</small> | Ordering Part Number   | RENESAS Code |
|-----------|---|------------|---|--|--------------|
| 64 pins   | 64-pin plastic LQFP (12 × 12 mm, 0.65 mm pitch) | Mounted    | A   | R5F100LCAFA#V0, R5F100LDAFA#V0, R5F100LEAFA#V0, R5F100LFafa#V0, R5F100LGafa#V0, R5F100LHafa#V0, R5F100LJafa#V0, R5F100LKafa#V0, R5F100LLafa#V0<br>R5F100LCAFA#X0, R5F100LDAFA#X0, R5F100LEAFA#X0, R5F100LFafa#X0, R5F100LGafa#X0, R5F100LHafa#X0, R5F100LJafa#X0, R5F100LKafa#X0, R5F100LLafa#X0<br>R5F100LCAFA#30, R5F100LDAFA#30, R5F100LEAFA#30, R5F100LFafa#30, R5F100LGafa#30, R5F100LHafa#30, R5F100LJafa#30, R5F100LKafa#30, R5F100LLafa#30<br>R5F100LCAFA#50, R5F100LDAFA#50, R5F100LEAFA#50, R5F100LFafa#50, R5F100LGafa#50, R5F100LHafa#50, R5F100LJafa#50, R5F100LKafa#50, R5F100LLafa#50 | PLQP0064JA-A |
|           |   |            | D   | R5F100LCDFA#V0, R5F100LDDFA#V0, R5F100LEDFA#V0, R5F100LFDFA#V0, R5F100LGDFA#V0, R5F100LHDFa#V0, R5F100LJDFA#V0, R5F100LKDFA#V0, R5F100LLDFA#V0<br>R5F100LCDFA#X0, R5F100LDDFA#X0, R5F100LEDFA#X0, R5F100LFDFA#X0, R5F100LGDFA#X0, R5F100LHDFa#X0, R5F100LJDFA#X0, R5F100LKDFA#X0, R5F100LLDFA#X0<br>R5F100LCDFA#30, R5F100LDDFA#30, R5F100LEDFA#30, R5F100LFDFA#30, R5F100LGDFA#30, R5F100LHDFa#30, R5F100LJDFA#30, R5F100LKDFA#30, R5F100LLDFA#30<br>R5F100LCDFA#50, R5F100LDDFA#50, R5F100LEDFA#50, R5F100LFDFA#50, R5F100LGDFA#50, R5F100LHDFa#50, R5F100LJDFA#50, R5F100LKDFA#50, R5F100LLDFA#50 |              |
|           |   |            | G   | R5F100LCGFA#V0, R5F100LDGFA#V0, R5F100LEGFA#V0, R5F100LFGFA#V0, R5F100LGGFA#V0, R5F100LHGFA#V0, R5F100LJGFA#V0<br>R5F100LCGFA#X0, R5F100LDGFA#X0, R5F100LEGFA#X0, R5F100LFGFA#X0, R5F100LGGFA#X0, R5F100LHGFA#X0, R5F100LJGFA#X0<br>R5F100LCGFA#30, R5F100LDGFA#30, R5F100LEGFA#30, R5F100LFGFA#30, R5F100LGGFA#30, R5F100LHGFA#30, R5F100LJGFA#30<br>R5F100LCGFA#50, R5F100LDGFA#50, R5F100LEGFA#50, R5F100LFGFA#50, R5F100LGGFA#50, R5F100LHGFA#50, R5F100LJGFA#50   |              |

**Note** For the fields of application, refer to **Figure 1-1 Part Number, Memory Size, and Package of RL78/G13.**

**Caution** The ordering part numbers represent the numbers at the time of publication. For the latest ordering part numbers, refer to the target product page of the Renesas Electronics website.

<R>

**Table 1-1. List of Ordering Part Numbers**

(18/25)

| Pin count | Package   | Data flash  | Fields of Application <small>Note</small> | Ordering Part Number   | RENESAS Code |
|-----------|---|-------------|---|--|--------------|
| 64 pins   | 64-pin plastic LQFP (12 × 12 mm, 0.65 mm pitch) | Not mounted | A   | R5F101LCAFA#V0, R5F101LDAFA#V0, R5F101LEAFA#V0, R5F101LFAFA#V0, R5F101LGAFa#V0, R5F101LHAFA#V0, R5F101LJAFa#V0, R5F101LKAFa#V0, R5F101LLAFa#V0<br>R5F101LCAFA#X0, R5F101LDAFA#X0, R5F101LEAFA#X0, R5F101LFAFA#X0, R5F101LGAFa#X0, R5F101LHAFA#X0, R5F101LJAFa#X0, R5F101LKAFa#X0, R5F101LLAFa#X0<br>R5F101LCAFA#30, R5F101LDAFA#30, R5F101LEAFA#30, R5F101LFAFA#30, R5F101LGAFa#30, R5F101LHAFA#30, R5F101LJAFa#30, R5F101LKAFa#30, R5F101LLAFa#30<br>R5F101LCAFA#50, R5F101LDAFA#50, R5F101LEAFA#50, R5F101LFAFA#50, R5F101LGAFa#50, R5F101LHAFA#50, R5F101LJAFa#50, R5F101LKAFa#50, R5F101LLAFa#50 | PLQP0064JA-A |
|           |   |             | D   | R5F101LCDFA#V0, R5F101LDDFA#V0, R5F101LEDFA#V0, R5F101LFDFA#V0, R5F101LGDFa#V0, R5F101LHDFa#V0, R5F101LJDFa#V0, R5F101LKDFa#V0, R5F101LLDFa#V0<br>R5F101LCDFA#X0, R5F101LDDFA#X0, R5F101LEDFA#X0, R5F101LFDFA#X0, R5F101LGDFa#X0, R5F101LHDFa#X0, R5F101LJDFa#X0, R5F101LKDFa#X0, R5F101LLDFa#X0<br>R5F101LCDFA#30, R5F101LDDFA#30, R5F101LEDFA#30, R5F101LFDFA#30, R5F101LGDFa#30, R5F101LHDFa#30, R5F101LJDFa#30, R5F101LKDFa#30, R5F101LLDFa#30<br>R5F101LCDFA#50, R5F101LDDFA#50, R5F101LEDFA#50, R5F101LFDFA#50, R5F101LGDFa#50, R5F101LHDFa#50, R5F101LJDFa#50, R5F101LKDFa#50, R5F101LLDFa#50 |              |

**Note** For the fields of application, refer to **Figure 1-1 Part Number, Memory Size, and Package of RL78/G13**.

**Caution** The ordering part numbers represent the numbers at the time of publication. For the latest ordering part numbers, refer to the target product page of the Renesas Electronics website.

<R>

**Table 1-1. List of Ordering Part Numbers**

(19/25)

| Pin count | Package   | Data flash | Fields of Application <small>Note</small> | Ordering Part Number   | RENESAS Code   |  |
|-----------|---|------------|---|--|--|--|
| 64 pins   | 64-pin plastic LFQFP (10 × 10 mm, 0.5 mm pitch) | Mounted    | A   | R5F100LCAFB#V0, R5F100LDAFB#V0, R5F100LEAFB#V0, R5F100LFAFB#V0, R5F100LGAFB#V0, R5F100LHAFB#V0, R5F100LJAFB#V0, R5F100LKAFB#V0, R5F100LLAFB#V0<br>R5F100LCAFB#X0, R5F100LDAFB#X0, R5F100LEAFB#X0, R5F100LFAFB#X0, R5F100LGAFB#X0, R5F100LHAFB#X0, R5F100LJAFB#X0, R5F100LKAFB#X0, R5F100LLAFB#X0 | PLQP0064KF-A   |  |
|           |   |            |   | R5F100LCAFB#30, R5F100LDAFB#30, R5F100LEAFB#30, R5F100LFAFB#30, R5F100LGAFB#30, R5F100LHAFB#30, R5F100LJAFB#30, R5F100LKAFB#30, R5F100LLAFB#30<br>R5F100LCAFB#50, R5F100LDAFB#50, R5F100LEAFB#50, R5F100LFAFB#50, R5F100LGAFB#50, R5F100LHAFB#50, R5F100LJAFB#50, R5F100LKAFB#50, R5F100LLAFB#50 | PLQP0064KB-C   |  |
|           |   |            |   | D  | R5F100LCDFB#V0, R5F100LDDFB#V0, R5F100LEDFB#V0, R5F100LDFB#V0, R5F100LGDFB#V0, R5F100LHDFB#V0, R5F100LJDFB#V0, R5F100LKDFB#V0, R5F100LLDFB#V0<br>R5F100LCDFB#X0, R5F100LDDFB#X0, R5F100LEDFB#X0, R5F100LDFB#X0, R5F100LGDFB#X0, R5F100LHDFB#X0, R5F100LJDFB#X0, R5F100LKDFB#X0, R5F100LLDFB#X0 | PLQP0064KF-A   |
|           |   |            |   |  | R5F100LCDFB#30, R5F100LDDFB#30, R5F100LEDFB#30, R5F100LDFB#30, R5F100LGDFB#30, R5F100LHDFB#30, R5F100LJDFB#30, R5F100LKDFB#30, R5F100LLDFB#30<br>R5F100LCDFB#50, R5F100LDDFB#50, R5F100LEDFB#50, R5F100LDFB#50, R5F100LGDFB#50, R5F100LHDFB#50, R5F100LJDFB#50, R5F100LKDFB#50, R5F100LLDFB#50 | PLQP0064KB-C   |
|           |   |            |   |  | G  | R5F100LCGFB#V0, R5F100LDGFB#V0, R5F100LEGFB#V0, R5F100LFGFB#V0, R5F100LGGFB#V0, R5F100LHGFB#V0, R5F100LJGFB#V0<br>R5F100LCGFB#X0, R5F100LDGFB#X0, R5F100LEGFB#X0, R5F100LFGFB#X0, R5F100LGGFB#X0, R5F100LHGFB#X0, R5F100LJGFB#X0 |
|           |   |            |   | R5F100LCGFB#30, R5F100LDGFB#30, R5F100LEGFB#30, R5F100LFGFB#30, R5F100LGGFB#30, R5F100LHGFB#30, R5F100LJGFB#30<br>R5F100LCGFB#50, R5F100LDGFB#50, R5F100LEGFB#50, R5F100LFGFB#50, R5F100LGGFB#50, R5F100LHGFB#50, R5F100LJGFB#50   |  | PLQP0064KB-C   |

**Note** For the fields of application, refer to **Figure 1-1 Part Number, Memory Size, and Package of RL78/G13**.

**Caution** The ordering part numbers represent the numbers at the time of publication. For the latest ordering part numbers, refer to the target product page of the Renesas Electronics website.

<R>

**Table 1-1. List of Ordering Part Numbers**

(20/25)

| Pin count | Package   | Data flash  | Fields of Application <small>Note</small>  | Ordering Part Number   | RENESAS Code |
|-----------|---|-------------|--|--|--------------|
| 64 pins   | 64-pin plastic LFQFP (10 × 10 mm, 0.5 mm pitch) | Not mounted | A  | R5F101LCAFB#V0, R5F101LDAFB#V0, R5F101LEAFB#V0, R5F101LFAFB#V0, R5F101LGAFB#V0, R5F101LHAFB#V0, R5F101LJAFB#V0, R5F101LKAFB#V0, R5F101LLAFB#V0<br>R5F101LCAFB#X0, R5F101LDAFB#X0, R5F101LEAFB#X0, R5F101LFAFB#X0, R5F101LGAFB#X0, R5F101LHAFB#X0, R5F101LJAFB#X0, R5F101LKAFB#X0, R5F101LLAFB#X0 | PLQP0064KF-A |
|           |   |             |  | R5F101LCAFB#30, R5F101LDAFB#30, R5F101LEAFB#30, R5F101LFAFB#30, R5F101LGAFB#30, R5F101LHAFB#30, R5F101LJAFB#30, R5F101LKAFB#30, R5F101LLAFB#30<br>R5F101LCAFB#50, R5F101LDAFB#50, R5F101LEAFB#50, R5F101LFAFB#50, R5F101LGAFB#50, R5F101LHAFB#50, R5F101LJAFB#50, R5F101LKAFB#50, R5F101LLAFB#50 | PLQP0064KB-C |
|           |   |             | D  | R5F101LCDFB#V0, R5F101LDDFB#V0, R5F101LEDFB#V0, R5F101LDFB#V0, R5F101LGDFB#V0, R5F101LHDFB#V0, R5F101LJDFB#V0, R5F101LKDFB#V0, R5F101LLDFB#V0<br>R5F101LCDFB#X0, R5F101LDDFB#X0, R5F101LEDFB#X0, R5F101LDFB#X0, R5F101LGDFB#X0, R5F101LHDFB#X0, R5F101LJDFB#X0, R5F101LKDFB#X0, R5F101LLDFB#X0   | PLQP0064KF-A |
|           |   |             | R5F101LCDFB#30, R5F101LDDFB#30, R5F101LEDFB#30, R5F101LDFB#30, R5F101LGDFB#30, R5F101LHDFB#30, R5F101LJDFB#30, R5F101LKDFB#30, R5F101LLDFB#30<br>R5F101LCDFB#50, R5F101LDDFB#50, R5F101LEDFB#50, R5F101LDFB#50, R5F101LGDFB#50, R5F101LHDFB#50, R5F101LJDFB#50, R5F101LKDFB#50, R5F101LLDFB#50 | PLQP0064KB-C   |              |
|           |   | Mounted     | A  | R5F100LCABG#U0, R5F100LDABG#U0, R5F100LEABG#U0, R5F100LFABG#U0, R5F100LGABG#U0, R5F100LHABG#U0, R5F100LJABG#U0<br>R5F100LCABG#W0, R5F100LDABG#W0, R5F100LEABG#W0, R5F100LFABG#W0, R5F100LGABG#W0, R5F100LHABG#W0, R5F100LJABG#W0   | PVBG0064LA-A |
|           |   |             | G  | R5F100LCGBG#U0, R5F100LDGBG#U0, R5F100LEGBG#U0, R5F100LFGBG#U0, R5F100LGGBG#U0, R5F100LHGBG#U0, R5F100LJGBG#U0<br>R5F100LCGBG#W0, R5F100LDGBG#W0, R5F100LEGBG#W0, R5F100LFGBG#W0, R5F100LGGBG#W0, R5F100LHGBG#W0, R5F100LJGBG#W0   | PVBG0064LA-A |
|           | Not mounted                                     | A           | R5F101LCABG#U0, R5F101LDABG#U0, R5F101LEABG#U0, R5F101LFABG#U0, R5F101LGABG#U0, R5F101LHABG#U0, R5F101LJABG#U0<br>R5F101LCABG#W0, R5F101LDABG#W0, R5F101LEABG#W0, R5F101LFABG#W0, R5F101LGABG#W0, R5F101LHABG#W0, R5F101LJABG#W0   | PVBG0064LA-A   |              |

**Note** For the fields of application, refer to **Figure 1-1 Part Number, Memory Size, and Package of RL78/G13**.

**Caution** The ordering part numbers represent the numbers at the time of publication. For the latest ordering part numbers, refer to the target product page of the Renesas Electronics website.

<R>

**Table 1-1. List of Ordering Part Numbers**

(21/25)

| Pin count | Package   | Data flash  | Fields of Application <small>Note</small> | Ordering Part Number   | RENESAS Code |              |
|-----------|---|-------------|---|--|--------------|--------------|
| 80 pins   | 80-pin plastic LQFP (14 × 14 mm, 0.65 mm pitch) | Mounted     | A   | R5F100MFAFA#V0, R5F100MGFAFA#V0, R5F100MHAFA#V0, R5F100MJFAFA#V0, R5F100MKFAFA#V0, R5F100MLAFA#V0<br>R5F100MFAFA#X0, R5F100MGFAFA#X0, R5F100MHAFA#X0, R5F100MJFAFA#X0, R5F100MKFAFA#X0, R5F100MLAFA#X0<br>R5F100MFAFA#30, R5F100MGFAFA#30, R5F100MHAFA#30, R5F100MJFAFA#30, R5F100MKFAFA#30, R5F100MLAFA#30<br>R5F100MFAFA#50, R5F100MGFAFA#50, R5F100MHAFA#50, R5F100MJFAFA#50, R5F100MKFAFA#50, R5F100MLAFA#50 | PLQP0080JB-E |              |
|           |   |             | D   | R5F100MFDFA#V0, R5F100MGDFA#V0, R5F100MHDFA#V0, R5F100MJDFA#V0, R5F100MKDFA#V0, R5F100MLDFA#V0<br>R5F100MFDFA#X0, R5F100MGDFA#X0, R5F100MHDFA#X0, R5F100MJDFA#X0, R5F100MKDFA#X0, R5F100MLDFA#X0<br>R5F100MFDFA#30, R5F100MGDFA#30, R5F100MHDFA#30, R5F100MJDFA#30, R5F100MKDFA#30, R5F100MLDFA#30<br>R5F100MFDFA#50, R5F100MGDFA#50, R5F100MHDFA#50, R5F100MJDFA#50, R5F100MKDFA#50, R5F100MLDFA#50             |              |              |
|           |   |             | G   | R5F100MFGFA#V0, R5F100MGGFA#V0, R5F100MHGFA#V0, R5F100MJGFA#V0<br>R5F100MFGFA#X0, R5F100MGGFA#X0, R5F100MHGFA#X0, R5F100MJGFA#X0<br>R5F100MFGFA#30, R5F100MGGFA#30, R5F100MHGFA#30, R5F100MJGFA#30<br>R5F100MFGFA#50, R5F100MGGFA#50, R5F100MHGFA#50, R5F100MJGFA#50   |              |              |
|           |   | Not mounted | A   | R5F101MFAFA#V0, R5F101MGFAFA#V0, R5F101MHAFA#V0, R5F101MJFAFA#V0, R5F101MKFAFA#V0, R5F101MLAFA#V0<br>R5F101MFAFA#X0, R5F101MGFAFA#X0, R5F101MHAFA#X0, R5F101MJFAFA#X0, R5F101MKFAFA#X0, R5F101MLAFA#X0<br>R5F101MFAFA#30, R5F101MGFAFA#30, R5F101MHAFA#30, R5F101MJFAFA#30, R5F101MKFAFA#30, R5F101MLAFA#30<br>R5F101MFAFA#50, R5F101MGFAFA#50, R5F101MHAFA#50, R5F101MJFAFA#50, R5F101MKFAFA#50, R5F101MLAFA#50 |              | PLQP0080JB-E |
|           |   |             | D   | R5F101MFDFA#V0, R5F101MGDFA#V0, R5F101MHDFA#V0, R5F101MJDFA#V0, R5F101MKDFA#V0, R5F101MLDFA#V0<br>R5F101MFDFA#X0, R5F101MGDFA#X0, R5F101MHDFA#X0, R5F101MJDFA#X0, R5F101MKDFA#X0, R5F101MLDFA#X0<br>R5F101MFDFA#30, R5F101MGDFA#30, R5F101MHDFA#30, R5F101MJDFA#30, R5F101MKDFA#30, R5F101MLDFA#30<br>R5F101MFDFA#50, R5F101MGDFA#50, R5F101MHDFA#50, R5F101MJDFA#50, R5F101MKDFA#50, R5F101MLDFA#50             |              |              |
|           |   |             | G   | R5F101MFGFA#V0, R5F101MGGFA#V0, R5F101MHGFA#V0, R5F101MJGFA#V0<br>R5F101MFGFA#X0, R5F101MGGFA#X0, R5F101MHGFA#X0, R5F101MJGFA#X0<br>R5F101MFGFA#30, R5F101MGGFA#30, R5F101MHGFA#30, R5F101MJGFA#30<br>R5F101MFGFA#50, R5F101MGGFA#50, R5F101MHGFA#50, R5F101MJGFA#50   |              |              |

**Note** For the fields of application, refer to **Figure 1-1 Part Number, Memory Size, and Package of RL78/G13.**

**Caution** The ordering part numbers represent the numbers at the time of publication. For the latest ordering part numbers, refer to the target product page of the Renesas Electronics website.



<R>

Table 1-1. List of Ordering Part Numbers

(22/25)

| Pin count | Package   | Data flash  | Fields of Application <small>Note</small> | Ordering Part Number   | RENESAS Code |
|-----------|---|-------------|---|--|--------------|
| 80 pins   | 80-pin plastic LFQFP (12 × 12 mm, 0.5 mm pitch) | Mounted     | A   | R5F100MFAFB#V0, R5F100MGAFB#V0, R5F100MHAFB#V0, R5F100MJAFB#V0, R5F100MKAFB#V0, R5F100MLAFB#V0<br>R5F100MFAFB#X0, R5F100MGAFB#X0, R5F100MHAFB#X0, R5F100MJAFB#X0, R5F100MKAFB#X0, R5F100MLAFB#X0 | PLQP0080KE-A |
|           |   |             |   | R5F100MFAFB#30, R5F100MGAFB#30, R5F100MHAFB#30, R5F100MJAFB#30, R5F100MKAFB#30, R5F100MLAFB#30<br>R5F100MFAFB#50, R5F100MGAFB#50, R5F100MHAFB#50, R5F100MJAFB#50, R5F100MKAFB#50, R5F100MLAFB#50 | PLQP0080KB-B |
|           |   |             | D   | R5F100MFDFB#V0, R5F100MGDFB#V0, R5F100MHDFB#V0, R5F100MJDFB#V0, R5F100MKDFB#V0, R5F100MLDFB#V0<br>R5F100MFDFB#X0, R5F100MGDFB#X0, R5F100MHDFB#X0, R5F100MJDFB#X0, R5F100MKDFB#X0, R5F100MLDFB#X0 | PLQP0080KE-A |
|           |   |             |   | R5F100MFDFB#30, R5F100MGDFB#30, R5F100MHDFB#30, R5F100MJDFB#30, R5F100MKDFB#30, R5F100MLDFB#30<br>R5F100MFDFB#50, R5F100MGDFB#50, R5F100MHDFB#50, R5F100MJDFB#50, R5F100MKDFB#50, R5F100MLDFB#50 | PLQP0080KB-B |
|           |   |             | G   | R5F100MFGFB#V0, R5F100MGGFB#V0, R5F100MHGFB#V0, R5F100MJGFB#V0<br>R5F100MFGFB#X0, R5F100MGGFB#X0, R5F100MHGFB#X0, R5F100MJGFB#X0   | PLQP0080KE-A |
|           |   |             |   | R5F100MFGFB#30, R5F100MGGFB#30, R5F100MHGFB#30, R5F100MJGFB#30<br>R5F100MFGFB#50, R5F100MGGFB#50, R5F100MHGFB#50, R5F100MJGFB#50   | PLQP0080KB-B |
|           |   | Not mounted | A   | R5F101MFAFB#V0, R5F101MGAFB#V0, R5F101MHAFB#V0, R5F101MJAFB#V0, R5F101MKAFB#V0, R5F101MLAFB#V0<br>R5F101MFAFB#X0, R5F101MGAFB#X0, R5F101MHAFB#X0, R5F101MJAFB#X0, R5F101MKAFB#X0, R5F101MLAFB#X0 | PLQP0080KE-A |
|           |   |             |   | R5F101MFAFB#30, R5F101MGAFB#30, R5F101MHAFB#30, R5F101MJAFB#30, R5F101MKAFB#30, R5F101MLAFB#30<br>R5F101MFAFB#50, R5F101MGAFB#50, R5F101MHAFB#50, R5F101MJAFB#50, R5F101MKAFB#50, R5F101MLAFB#50 | PLQP0080KB-B |
|           |   |             | D   | R5F101MFDFB#V0, R5F101MGDFB#V0, R5F101MHDFB#V0, R5F101MJDFB#V0, R5F101MKDFB#V0, R5F101MLDFB#V0<br>R5F101MFDFB#X0, R5F101MGDFB#X0, R5F101MHDFB#X0, R5F101MJDFB#X0, R5F101MKDFB#X0, R5F101MLDFB#X0 | PLQP0080KE-A |
|           |   |             |   | R5F101MFDFB#30, R5F101MGDFB#30, R5F101MHDFB#30, R5F101MJDFB#30, R5F101MKDFB#30, R5F101MLDFB#30<br>R5F101MFDFB#50, R5F101MGDFB#50, R5F101MHDFB#50, R5F101MJDFB#50, R5F101MKDFB#50, R5F101MLDFB#50 | PLQP0080KB-B |

**Note** For the fields of application, refer to **Figure 1-1 Part Number, Memory Size, and Package of RL78/G13**.

**Caution** The ordering part numbers represent the numbers at the time of publication. For the latest ordering part numbers, refer to the target product page of the Renesas Electronics website.

&lt;R&gt;

Table 1-1. List of Ordering Part Numbers

(23/25)

| Pin count  | Package  | Data flash   | Fields of Application <small>Note</small>  | Ordering Part Number   | RENESAS Code |
|--|--|--|--|--|--------------|
| 100 pins   | 100-pin plastic LFQFP (14 × 14 mm, 0.5 mm pitch) | Mounted  | A  | R5F100PFAFB#V0, R5F100PGAFFB#V0, R5F100PHAFFB#V0, R5F100PJAFB#V0, R5F100PKAFB#V0, R5F100PLAFB#V0<br>R5F100PFAFB#X0, R5F100PGAFFB#X0, R5F100PHAFFB#X0, R5F100PJAFB#X0, R5F100PKAFB#X0, R5F100PLAFB#X0 | PLQP0100KE-A |
|  |  |  |  | R5F100PFAFB#30, R5F100PGAFFB#30, R5F100PHAFFB#30, R5F100PJAFB#30, R5F100PKAFB#30, R5F100PLAFB#30<br>R5F100PFAFB#50, R5F100PGAFFB#50, R5F100PHAFFB#50, R5F100PJAFB#50, R5F100PKAFB#50, R5F100PLAFB#50 | PLQP0100KB-B |
|  |  |  |  | R5F100PFDFB#V0, R5F100PGDFB#V0, R5F100PHDFB#V0, R5F100PJDFB#V0, R5F100PKDFB#V0, R5F100PLDFB#V0<br>R5F100PFDFB#X0, R5F100PGDFB#X0, R5F100PHDFB#X0, R5F100PJDFB#X0, R5F100PKDFB#X0, R5F100PLDFB#X0     | PLQP0100KE-A |
|  |  |  | R5F100PFDFB#30, R5F100PGDFB#30, R5F100PHDFB#30, R5F100PJDFB#30, R5F100PKDFB#30, R5F100PLDFB#30<br>R5F100PFDFB#50, R5F100PGDFB#50, R5F100PHDFB#50, R5F100PJDFB#50, R5F100PKDFB#50, R5F100PLDFB#50 | PLQP0100KB-B   |              |
|  |  |  | D  | R5F100PFDFB#V0, R5F100PGDFB#V0, R5F100PHDFB#V0, R5F100PJDFB#V0, R5F100PKDFB#V0, R5F100PLDFB#V0<br>R5F100PFDFB#X0, R5F100PGDFB#X0, R5F100PHDFB#X0, R5F100PJDFB#X0, R5F100PKDFB#X0, R5F100PLDFB#X0     | PLQP0100KE-A |
|  |  |  |  | R5F100PFDFB#30, R5F100PGDFB#30, R5F100PHDFB#30, R5F100PJDFB#30, R5F100PKDFB#30, R5F100PLDFB#30<br>R5F100PFDFB#50, R5F100PGDFB#50, R5F100PHDFB#50, R5F100PJDFB#50, R5F100PKDFB#50, R5F100PLDFB#50     | PLQP0100KB-B |
|  |  | R5F100PFDFB#V0, R5F100PGDFB#V0, R5F100PHDFB#V0, R5F100PJDFB#V0, R5F100PKDFB#V0, R5F100PLDFB#V0<br>R5F100PFDFB#X0, R5F100PGDFB#X0, R5F100PHDFB#X0, R5F100PJDFB#X0, R5F100PKDFB#X0, R5F100PLDFB#X0 |  | PLQP0100KE-A   |              |
|  |  | Not mounted  | A  | R5F101PFAFB#V0, R5F101PGAFFB#V0, R5F101PHAFFB#V0, R5F101PJAFB#V0, R5F101PKAFB#V0, R5F101PLAFB#V0<br>R5F101PFAFB#X0, R5F101PGAFFB#X0, R5F101PHAFFB#X0, R5F101PJAFB#X0, R5F101PKAFB#X0, R5F101PLAFB#X0 | PLQP0100KE-A |
|  |  |  |  | R5F101PFAFB#30, R5F101PGAFFB#30, R5F101PHAFFB#30, R5F101PJAFB#30, R5F101PKAFB#30, R5F101PLAFB#30<br>R5F101PFAFB#50, R5F101PGAFFB#50, R5F101PHAFFB#50, R5F101PJAFB#50, R5F101PKAFB#50, R5F101PLAFB#50 | PLQP0100KB-B |
|  |  |  |  | R5F101PFDFB#V0, R5F101PGDFB#V0, R5F101PHDFB#V0, R5F101PJDFB#V0, R5F101PKDFB#V0, R5F101PLDFB#V0<br>R5F101PFDFB#X0, R5F101PGDFB#X0, R5F101PHDFB#X0, R5F101PJDFB#X0, R5F101PKDFB#X0, R5F101PLDFB#X0     | PLQP0100KE-A |
|  |  |  | D  | R5F101PFDFB#30, R5F101PGDFB#30, R5F101PHDFB#30, R5F101PJDFB#30, R5F101PKDFB#30, R5F101PLDFB#30<br>R5F101PFDFB#50, R5F101PGDFB#50, R5F101PHDFB#50, R5F101PJDFB#50, R5F101PKDFB#50, R5F101PLDFB#50     | PLQP0100KB-B |
|  |  |  |  | R5F101PFDFB#V0, R5F101PGDFB#V0, R5F101PHDFB#V0, R5F101PJDFB#V0, R5F101PKDFB#V0, R5F101PLDFB#V0<br>R5F101PFDFB#X0, R5F101PGDFB#X0, R5F101PHDFB#X0, R5F101PJDFB#X0, R5F101PKDFB#X0, R5F101PLDFB#X0     | PLQP0100KE-A |
| R5F101PFDFB#30, R5F101PGDFB#30, R5F101PHDFB#30, R5F101PJDFB#30, R5F101PKDFB#30, R5F101PLDFB#30<br>R5F101PFDFB#50, R5F101PGDFB#50, R5F101PHDFB#50, R5F101PJDFB#50, R5F101PKDFB#50, R5F101PLDFB#50 | PLQP0100KB-B                                     |  |  |  |              |

**Note** For the fields of application, refer to **Figure 1-1 Part Number, Memory Size, and Package of RL78/G13**.

**Caution** The ordering part numbers represent the numbers at the time of publication. For the latest ordering part numbers, refer to the target product page of the Renesas Electronics website.

<R>

Table 1-1. List of Ordering Part Numbers

(24/25)

| Pin count | Package  | Data flash  | Fields of Application <small>Note</small> | Ordering Part Number   | RENESAS Code |              |
|-----------|--|-------------|---|--|--------------|--------------|
| 100 pins  | 100-pin plastic LQFP (14 × 20 mm, 0.65 mm pitch) | Mounted     | A   | R5F100PFafa#V0, R5F100PGafa#V0, R5F100PHafa#V0, R5F100PJafa#V0, R5F100PKafa#V0, R5F100PLafa#V0<br>R5F100PFafa#X0, R5F100PGafa#X0, R5F100PHafa#X0, R5F100PJafa#X0, R5F100PKafa#X0, R5F100PLafa#X0<br>R5F100PFafa#30, R5F100PGafa#30, R5F100PHafa#30, R5F100PJafa#30, R5F100PKafa#30, R5F100PLafa#30<br>R5F100PFafa#50, R5F100PGafa#50, R5F100PHafa#50, R5F100PJafa#50, R5F100PKafa#50, R5F100PLafa#50 | PLQP0100JC-A |              |
|           |  |             | D   | R5F100Pfdfa#V0, R5F100Pgdfa#V0, R5F100Phdfa#V0, R5F100Pjdfa#V0, R5F100PKdfa#V0, R5F100Pldfa#V0<br>R5F100Pfdfa#X0, R5F100Pgdfa#X0, R5F100Phdfa#X0, R5F100Pjdfa#X0, R5F100PKdfa#X0, R5F100Pldfa#X0<br>R5F100Pfdfa#30, R5F100Pgdfa#30, R5F100Phdfa#30, R5F100Pjdfa#30, R5F100PKdfa#30, R5F100Pldfa#30<br>R5F100Pfdfa#50, R5F100Pgdfa#50, R5F100Phdfa#50, R5F100Pjdfa#50, R5F100PKdfa#50, R5F100Pldfa#50 |              |              |
|           |  |             | G   | R5F100Pfgfa#V0, R5F100Pggfa#V0, R5F100Phgfa#V0, R5F100Pjgfa#V0<br>R5F100Pfgfa#X0, R5F100Pggfa#X0, R5F100Phgfa#X0, R5F100Pjgfa#X0<br>R5F100Pfgfa#30, R5F100Pggfa#30, R5F100Phgfa#30, R5F100Pjgfa#30<br>R5F100Pfgfa#50, R5F100Pggfa#50, R5F100Phgfa#50, R5F100Pjgfa#50   |              |              |
|           |  | Not mounted | A   | R5F101PFafa#V0, R5F101PGafa#V0, R5F101PHafa#V0, R5F101PJafa#V0, R5F101PKafa#V0, R5F101PLafa#V0<br>R5F101PFafa#X0, R5F101PGafa#X0, R5F101PHafa#X0, R5F101PJafa#X0, R5F101PKafa#X0, R5F101PLafa#X0<br>R5F101PFafa#30, R5F101PGafa#30, R5F101PHafa#30, R5F101PJafa#30, R5F101PKafa#30, R5F101PLafa#30<br>R5F101PFafa#50, R5F101PGafa#50, R5F101PHafa#50, R5F101PJafa#50, R5F101PKafa#50, R5F101PLafa#50 |              | PLQP0100JC-A |
|           |  |             | D   | R5F101Pfdfa#V0, R5F101Pgdfa#V0, R5F101Phdfa#V0, R5F101Pjdfa#V0, R5F101PKdfa#V0, R5F101Pldfa#V0<br>R5F101Pfdfa#X0, R5F101Pgdfa#X0, R5F101Phdfa#X0, R5F101Pjdfa#X0, R5F101PKdfa#X0, R5F101Pldfa#X0<br>R5F101Pfdfa#30, R5F101Pgdfa#30, R5F101Phdfa#30, R5F101Pjdfa#30, R5F101PKdfa#30, R5F101Pldfa#30<br>R5F101Pfdfa#50, R5F101Pgdfa#50, R5F101Phdfa#50, R5F101Pjdfa#50, R5F101PKdfa#50, R5F101Pldfa#50 |              |              |

**Note** For the fields of application, refer to **Figure 1-1 Part Number, Memory Size, and Package of RL78/G13**.

**Caution** The ordering part numbers represent the numbers at the time of publication. For the latest ordering part numbers, refer to the target product page of the Renesas Electronics website.

<R>

**Table 1-1. List of Ordering Part Numbers**

(25/25)

| Pin count | Package  | Data flash  | Fields of Application <sup>Note</sup> | Ordering Part Number   | RENESAS Code |
|-----------|--|-------------|---------------------------------------|--|--------------|
| 128 pins  | 128-pin plastic LFQFP (14 × 20 mm, 0.5 mm pitch) | Mounted     | A                                     | R5F100SHAFB#V0, R5F100SJAFB#V0, R5F100SKAFB#V0, R5F100SLAFB#V0<br>R5F100SHAFB#X0, R5F100SJAFB#X0, R5F100SKAFB#X0, R5F100SLAFB#X0<br>R5F100SHAFB#30, R5F100SJAFB#30, R5F100SKAFB#30, R5F100SLAFB#30<br>R5F100SHAFB#50, R5F100SJAFB#50, R5F100SKAFB#50, R5F100SLAFB#50 | PLQP0128KD-A |
|           |  |             | D                                     | R5F100SHDFB#V0, R5F100SJDFB#V0, R5F100SKDFB#V0, R5F100SLDFB#V0<br>R5F100SHDFB#X0, R5F100SJDFB#X0, R5F100SKDFB#X0, R5F100SLDFB#X0<br>R5F100SHDFB#30, R5F100SJDFB#30, R5F100SKDFB#30, R5F100SLDFB#30<br>R5F100SHDFB#50, R5F100SJDFB#50, R5F100SKDFB#50, R5F100SLDFB#50 |              |
|           |  | Not mounted | A                                     | R5F101SHAFB#V0, R5F101SJAFB#V0, R5F101SKAFB#V0, R5F101SLAFB#V0<br>R5F101SHAFB#X0, R5F101SJAFB#X0, R5F101SKAFB#X0, R5F101SLAFB#X0<br>R5F101SHAFB#30, R5F101SJAFB#30, R5F101SKAFB#30, R5F101SLAFB#30<br>R5F101SHAFB#50, R5F101SJAFB#50, R5F101SKAFB#50, R5F101SLAFB#50 | PLQP0128KD-A |
|           |  |             | D                                     | R5F101SHDFB#V0, R5F101SJDFB#V0, R5F101SKDFB#V0, R5F101SLDFB#V0<br>R5F101SHDFB#X0, R5F101SJDFB#X0, R5F101SKDFB#X0, R5F101SLDFB#X0<br>R5F101SHDFB#30, R5F101SJDFB#30, R5F101SKDFB#30, R5F101SLDFB#30<br>R5F101SHDFB#50, R5F101SJDFB#50, R5F101SKDFB#50, R5F101SLDFB#50 |              |

**Note** For the fields of application, refer to **Figure 1-1 Part Number, Memory Size, and Package of RL78/G13**.

**Caution** The ordering part numbers represent the numbers at the time of publication. For the latest ordering part numbers, refer to the target product page of the Renesas Electronics website.

### 1.3 Pin Configuration (Top View)

#### 1.3.1 20-pin products

- 20-pin plastic LSSOP (7.62 mm (300), 0.65 mm pitch)



**Caution** Connect the REGC pin to V<sub>SS</sub> via a capacitor (0.47 to 1  $\mu$ F).

**Remark** For pin identification, see 1.4 Pin Identification.

### 1.3.2 24-pin products

- 24-pin plastic HWQFN (4 × 4 mm, 0.5 mm pitch)



**Caution** Connect the REGC pin to V<sub>SS</sub> via a capacitor (0.47 to 1 μF).

**Remarks 1.** For pin identification, see 1.4 Pin Identification.

**2.** It is recommended to connect an exposed die pad to V<sub>SS</sub>.

1.3.3 25-pin products

- 25-pin plastic WFLGA (3 × 3 mm, 0.50 mm pitch)



|   | A                 | B               | C                                   | D                             | E                                       |   |
|---|-------------------|-----------------|-------------------------------------|-------------------------------|---|---|
| 5 | P40/TOOL0         | RESET           | P01/ANI16/<br>TO00/RxD1             | P22/ANI2                      | P147/ANI18                              | 5 |
| 4 | P122/X2/<br>EXCLK | P137/INTP0      | P00/ANI17/<br>TI00/TxD1             | P21/ANI1/<br>AVREFM           | P10/SCK00/<br>SCL00                     | 4 |
| 3 | P121/X1           | V <sub>DD</sub> | P20/ANI0/<br>AVREFP                 | P12/SO00/<br>TxD0/<br>TOOLTxD | P11/SI00/<br>RxD0/<br>TOOLRxD/<br>SDA00 | 3 |
| 2 | REGC              | V <sub>SS</sub> | P30/INTP3/<br>SCK11/SCL11           | P17/TI02/<br>TO02/SO11        | P50/INTP1/<br>SI11/SDA11                | 2 |
| 1 | P60/SCLA0         | P61/SDAA0       | P31/TI03/<br>TO03/INTP4/<br>PCLBUZ0 | P16/TI01/<br>TO01/INTP5       | P130                                    | 1 |
|   | A                 | B               | C                                   | D                             | E                                       |   |

**Caution** Connect the REGC pin to V<sub>SS</sub> via a capacitor (0.47 to 1 μF).

**Remark** For pin identification, see 1.4 Pin Identification.

### 1.3.4 30-pin products

- 30-pin plastic LSSOP (7.62 mm (300), 0.65 mm pitch)



**Caution** Connect the REGC pin to V<sub>SS</sub> via a capacitor (0.47 to 1  $\mu$ F).

**Remarks 1.** For pin identification, see 1.4 Pin Identification.

2. Functions in parentheses in the above figure can be assigned via settings in the peripheral I/O redirection register (PIOR). Refer to **Figure 4-8 Format of Peripheral I/O Redirection Register (PIOR)** in the RL78/G13 User's Manual.



## 1.3.5 32-pin products

- 32-pin plastic HWQFN (5 × 5 mm, 0.5 mm pitch)



**Caution** Connect the REGC pin to V<sub>ss</sub> via a capacitor (0.47 to 1 μF).

**Remarks 1.** For pin identification, see 1.4 Pin Identification.

- Functions in parentheses in the above figure can be assigned via settings in the peripheral I/O redirection register (PIOR). Refer to **Figure 4-8 Format of Peripheral I/O Redirection Register (PIOR)** in the RL78/G13 User's Manual.
- It is recommended to connect an exposed die pad to V<sub>ss</sub>.

1.3.6 36-pin products

- 36-pin plastic WFLGA (4 × 4 mm, 0.5 mm pitch)



|   | A                         | B                              | C   | D   | E                               | F                               |   |
|---|---------------------------|--------------------------------|---|---|---------------------------------|---------------------------------|---|
| 6 | P60/SCLA0                 | V <sub>DD</sub>                | P121/X1   | P122/X2/EXCLK   | P137/INTP0                      | P40/TOOL0                       | 6 |
| 5 | P62                       | P61/SDAA0                      | V <sub>SS</sub>                                   | REGC  | RESET                           | P120/ANI19                      | 5 |
| 4 | P72/SO21                  | P71/SI21/<br>SDA21             | P14/RxD2/SI20/<br>SDA20/(SCLA0)<br>/(TI03)/(TO03) | P31/TI03/TO03/<br>INTP4/<br>PCLBUZ0                   | P00/TI00/TxD1                   | P01/TO00/RxD1                   | 4 |
| 3 | P50/INTP1/<br>SI11/SDA11  | P70/SCK21/<br>SCL21            | P15/PCLBUZ1/<br>SCK20/SCL20/<br>(TI02)/(TO02)     | P22/ANI2  | P20/ANI0/<br>AV <sub>REFP</sub> | P21/ANI1/<br>AV <sub>REFM</sub> | 3 |
| 2 | P30/INTP3/<br>SCK11/SCL11 | P16/TI01/TO01/<br>INTP5/(RxD0) | P12/SO00/<br>TxD0/TOOLTxD<br>/(TI05)/(TO05)       | P11/SI00/RxD0/<br>TOOLRxD/<br>SDA00/(TI06)/<br>(TO06) | P24/ANI4                        | P23/ANI3                        | 2 |
| 1 | P51/INTP2/<br>SO11        | P17/TI02/TO02/<br>(TxD0)       | P13/TxD2/<br>SO20/(SDAA0)/<br>(TI04)/(TO04)       | P10/SCK00/<br>SCL00/(TI07)/<br>(TO07)                 | P147/ANI18                      | P25/ANI5                        | 1 |
|   | A                         | B                              | C   | D   | E                               | F                               |   |

**Caution** Connect the REGC pin to V<sub>SS</sub> via a capacitor (0.47 to 1 μF).

**Remarks 1.** For pin identification, see 1.4 Pin Identification.

2. Functions in parentheses in the above figure can be assigned via settings in the peripheral I/O redirection register (PIOR). Refer to **Figure 4-8 Format of Peripheral I/O Redirection Register (PIOR)** in the RL78/G13 User's Manual.

## 1.3.7 40-pin products

- 40-pin plastic HWQFN (6 × 6 mm, 0.5 mm pitch)



**Caution** Connect the REGC pin to V<sub>ss</sub> via a capacitor (0.47 to 1 μF).

**Remarks 1.** For pin identification, see 1.4 Pin Identification.

2. Functions in parentheses in the above figure can be assigned via settings in the peripheral I/O redirection register (PIOR). Refer to **Figure 4-8 Format of Peripheral I/O Redirection Register (PIOR)** in the RL78/G13 User's Manual.

3. It is recommended to connect an exposed die pad to V<sub>ss</sub>.

## 1.3.8 44-pin products

- 44-pin plastic LQFP (10 × 10 mm, 0.8 mm pitch)



**Caution** Connect the REGC pin to V<sub>SS</sub> via a capacitor (0.47 to 1 μF).

**Remarks 1.** For pin identification, see 1.4 Pin Identification.

- Functions in parentheses in the above figure can be assigned via settings in the peripheral I/O redirection register (PIOR). Refer to **Figure 4-8 Format of Peripheral I/O Redirection Register (PIOR)** in the RL78/G13 User's Manual.

1.3.9 48-pin products

- 48-pin plastic LFQFP (7 × 7 mm, 0.5 mm pitch)



**Caution** Connect the REGC pin to Vss via a capacitor (0.47 to 1 μF).

**Remarks 1.** For pin identification, see 1.4 Pin Identification.

2. Functions in parentheses in the above figure can be assigned via settings in the peripheral I/O redirection register (PIOR). Refer to **Figure 4-8 Format of Peripheral I/O Redirection Register (PIOR)** in the RL78/G13 User's Manual.

- 48-pin plastic HWQFN (7 × 7 mm, 0.5 mm pitch)



**Caution** Connect the REGC pin to V<sub>SS</sub> via a capacitor (0.47 to 1 μF).

**Remarks 1.** For pin identification, see 1.4 Pin Identification.

2. Functions in parentheses in the above figure can be assigned via settings in the peripheral I/O redirection register (PIOR). Refer to **Figure 4-8 Format of Peripheral I/O Redirection Register (PIOR)** in the RL78/G13 User's Manual.
3. It is recommended to connect an exposed die pad to V<sub>SS</sub>.

1.3.10 52-pin products

- 52-pin plastic LQFP (10 × 10 mm, 0.65 mm pitch)



**Caution** Connect the REGC pin to V<sub>SS</sub> via a capacitor (0.47 to 1 μF).

**Remarks 1.** For pin identification, see 1.4 Pin Identification.

2. Functions in parentheses in the above figure can be assigned via settings in the peripheral I/O redirection register (PIOR). Refer to **Figure 4-8 Format of Peripheral I/O Redirection Register (PIOR)** in the RL78/G13 User's Manual.

1.3.11 64-pin products

- 64-pin plastic LQFP (12 × 12 mm, 0.65 mm pitch)
- 64-pin plastic LFQFP (10 × 10 mm, 0.5 mm pitch)



- Cautions**
1. Make EV<sub>SS0</sub> pin the same potential as V<sub>SS</sub> pin.
  2. Make V<sub>DD</sub> pin the potential that is higher than EV<sub>DD0</sub> pin.
  3. Connect the REGC pin to V<sub>SS</sub> via a capacitor (0.47 to 1 μF).

- Remarks**
1. For pin identification, see 1.4 Pin Identification.
  2. When using the microcontroller for an application where the noise generated inside the microcontroller must be reduced, it is recommended to supply separate powers to the V<sub>DD</sub> and EV<sub>DD0</sub> pins and connect the V<sub>SS</sub> and EV<sub>SS0</sub> pins to separate ground lines.
  3. Functions in parentheses in the above figure can be assigned via settings in the peripheral I/O redirection register (PIOR). Refer to **Figure 4-8 Format of Peripheral I/O Redirection Register (PIOR)** in the RL78/G13 User's Manual.



- 64-pin plastic VFBGA (4 × 4 mm, 0.4 mm pitch)



| Pin No. | Name                              | Pin No. | Name                            | Pin No. | Name  | Pin No. | Name                        |
|---------|-----------------------------------|---------|---------------------------------|---------|---|---------|-----------------------------|
| A1      | P05/TI05/TO05                     | C1      | P51/INTP2/SO11                  | E1      | P13/TxD2/SO20/<br>(SDAA0)/(TI04)/(TO04)             | G1      | P146                        |
| A2      | P30/INTP3/RTC1HZ<br>/SCK11/SCL11  | C2      | P71/KR1/SI21/SDA21              | E2      | P14/RxD2/SI20/SDA20<br>/(SCLA0)/(TI03)/(TO03)       | G2      | P25/ANI5                    |
| A3      | P70/KR0/SCK21<br>/SCL21           | C3      | P74/KR4/INTP8/SI01<br>/SDA01    | E3      | P15/SCK20/SCL20/<br>(TI02)/(TO02)                   | G3      | P24/ANI4                    |
| A4      | P75/KR5/INTP9<br>/SCK01/SCL01     | C4      | P52/(INTP10)                    | E4      | P16/TI01/TO01/INTP5<br>/(SI00)/(RxD0)               | G4      | P22/ANI2                    |
| A5      | P77/KR7/INTP11/<br>(TxD2)         | C5      | P53/(INTP11)                    | E5      | P03/ANI16/SI10/RxD1<br>/SDA10                       | G5      | P130                        |
| A6      | P61/SDAA0                         | C6      | P63                             | E6      | P41/TI07/TO07                                       | G6      | P02/ANI17/SO10/TxD1         |
| A7      | P60/SCLA0                         | C7      | V <sub>SS</sub>                 | E7      | RESET   | G7      | P00/TI00                    |
| A8      | EV <sub>DD0</sub>                 | C8      | P121/X1                         | E8      | P137/INTP0  | G8      | P124/XT2/EXCLKS             |
| B1      | P50/INTP1/SI11<br>/SDA11          | D1      | P55/(PCLBUZ1)/<br>(SCK00)       | F1      | P10/SCK00/SCL00/<br>(TI07)/(TO07)                   | H1      | P147/ANI18                  |
| B2      | P72/KR2/SO21                      | D2      | P06/TI06/TO06                   | F2      | P11/SI00/RxD0<br>/TOOLRxD/SDA00/<br>(TI06)/(TO06)   | H2      | P27/ANI7                    |
| B3      | P73/KR3/SO01                      | D3      | P17/TI02/TO02/<br>(SO00)/(TxD0) | F3      | P12/SO00/TxD0<br>/TOOLTxD/(INTP5)/<br>(TI05)/(TO05) | H3      | P26/ANI6                    |
| B4      | P76/KR6/INTP10/<br>(RxD2)         | D4      | P54                             | F4      | P21/ANI1/AV <sub>REFM</sub>                         | H4      | P23/ANI3                    |
| B5      | P31/TI03/TO03<br>/INTP4/(PCLBUZ0) | D5      | P42/TI04/TO04                   | F5      | P04/SCK10/SCL10                                     | H5      | P20/ANI0/AV <sub>REFP</sub> |
| B6      | P62                               | D6      | P40/TOOL0                       | F6      | P43   | H6      | P141/PCLBUZ1/INTP7          |
| B7      | V <sub>DD</sub>                   | D7      | REGC                            | F7      | P01/TO00  | H7      | P140/PCLBUZ0/INTP6          |
| B8      | EV <sub>SS0</sub>                 | D8      | P122/X2/EXCLK                   | F8      | P123/XT1  | H8      | P120/ANI19                  |

**Cautions 1. Make EV<sub>SS0</sub> pin the same potential as V<sub>SS</sub> pin.**

**2. Make V<sub>DD</sub> pin the potential that is higher than EV<sub>DD0</sub> pin.**

**3. Connect the REGC pin to V<sub>SS</sub> via a capacitor (0.47 to 1 μF).**

**Remarks 1. For pin identification, see 1.4 Pin Identification.**

**2. When using the microcontroller for an application where the noise generated inside the microcontroller must be reduced, it is recommended to supply separate powers to the V<sub>DD</sub> and EV<sub>DD0</sub> pins and connect the V<sub>SS</sub> and EV<sub>SS0</sub> pins to separate ground lines.**

**3. Functions in parentheses in the above figure can be assigned via settings in the peripheral I/O redirection register (PIOR). Refer to Figure 4-8 Format of Peripheral I/O Redirection Register (PIOR) in the RL78/G13 User's Manual.**

## 1.3.12 80-pin products

- 80-pin plastic LQFP (14 × 14 mm, 0.65 mm pitch)
- 80-pin plastic LFQFP (12 × 12 mm, 0.5 mm pitch)



- Cautions**
1. Make EV<sub>SS0</sub> pin the same potential as V<sub>SS</sub> pin.
  2. Make V<sub>DD</sub> pin the potential that is higher than EV<sub>DD0</sub> pin.
  3. Connect the REGC pin to V<sub>SS</sub> via a capacitor (0.47 to 1 μF).

**Remarks** 1. For pin identification, see 1.4 Pin Identification.

2. When using the microcontroller for an application where the noise generated inside the microcontroller must be reduced, it is recommended to supply separate powers to the V<sub>DD</sub> and EV<sub>DD0</sub> pins and connect the V<sub>SS</sub> and EV<sub>SS0</sub> pins to separate ground lines.
3. Functions in parentheses in the above figure can be assigned via settings in the peripheral I/O redirection register (PIOR). Refer to **Figure 4-8 Format of Peripheral I/O Redirection Register (PIOR)** in the RL78/G13 User's Manual.

1.3.13 100-pin products

- 100-pin plastic LFQFP (14 × 14 mm, 0.5 mm pitch)



- Cautions**
1. Make EV<sub>SS0</sub>, EV<sub>SS1</sub> pins the same potential as V<sub>SS</sub> pin.
  2. Make V<sub>DD</sub> pin the potential that is higher than EV<sub>DD0</sub>, EV<sub>DD1</sub> pins (EV<sub>DD0</sub> = EV<sub>DD1</sub>).
  3. Connect the REGC pin to V<sub>SS</sub> via a capacitor (0.47 to 1 μF).

- Remarks**
1. For pin identification, see 1.4 Pin Identification.
  2. When using the microcontroller for an application where the noise generated inside the microcontroller must be reduced, it is recommended to supply separate powers to the V<sub>DD</sub>, EV<sub>DD0</sub> and EV<sub>DD1</sub> pins and connect the V<sub>SS</sub>, EV<sub>SS0</sub> and EV<sub>SS1</sub> pins to separate ground lines.
  3. Functions in parentheses in the above figure can be assigned via settings in the peripheral I/O redirection register (PIOR). Refer to **Figure 4-8 Format of Peripheral I/O Redirection Register (PIOR)** in the RL78/G13 User's Manual.

- 100-pin plastic LQFP (14 × 20 mm, 0.65 mm pitch)



- Cautions**
1. Make EV<sub>SS0</sub>, EV<sub>SS1</sub> pins the same potential as V<sub>SS</sub> pin.
  2. Make V<sub>DD</sub> pin the potential that is higher than EV<sub>DD0</sub>, EV<sub>DD1</sub> pins (EV<sub>DD0</sub> = EV<sub>DD1</sub>).
  3. Connect the REGC pin to V<sub>SS</sub> via a capacitor (0.47 to 1 μF).

- Remarks**
1. For pin identification, see 1.4 Pin Identification.
  2. When using the microcontroller for an application where the noise generated inside the microcontroller must be reduced, it is recommended to supply separate powers to the V<sub>DD</sub>, EV<sub>DD0</sub> and EV<sub>DD1</sub> pins and connect the V<sub>SS</sub>, EV<sub>SS0</sub> and EV<sub>SS1</sub> pins to separate ground lines.
  3. Functions in parentheses in the above figure can be assigned via settings in the peripheral I/O redirection register (PIOR). Refer to **Figure 4-8 Format of Peripheral I/O Redirection Register (PIOR)** in the RL78/G13 User's Manual.

1.3.14 128-pin products

- 128-pin plastic LFQFP (14 × 20 mm, 0.5 mm pitch)



- Cautions**
1. Make EV<sub>SS0</sub>, EV<sub>SS1</sub> pins the same potential as V<sub>SS</sub> pin.
  2. Make V<sub>DD</sub> pin the potential that is higher than EV<sub>DD0</sub>, EV<sub>DD1</sub> pins (EV<sub>DD0</sub> = EV<sub>DD1</sub>).
  3. Connect the REGC pin to V<sub>SS</sub> via a capacitor (0.47 to 1 μF).

- Remarks**
1. For pin identification, see 1.4 Pin Identification.
  2. When using the microcontroller for an application where the noise generated inside the microcontroller must be reduced, it is recommended to supply separate powers to the V<sub>DD</sub>, EV<sub>DD0</sub> and EV<sub>DD1</sub> pins and connect the V<sub>SS</sub>, EV<sub>SS0</sub> and EV<sub>SS1</sub> pins to separate ground lines.
  3. Functions in parentheses in the above figure can be assigned via settings in the peripheral I/O redirection register (PIOR). Refer to **Figure 4-8 Format of Peripheral I/O Redirection Register (PIOR)** in the RL78/G13 User's Manual.

## 1.4 Pin Identification

|                   |  |                         |  |
|-------------------|--|-------------------------|--|
| ANI0 to ANI14,    |  | REGC:                   | Regulator capacitance                          |
| ANI16 to ANI26:   | Analog input                                     | RESET:                  | Reset  |
| AVREFM:           | A/D converter reference potential (– side) input | RTC1HZ:                 | Real-time clock correction clock (1 Hz) output |
| AVREFP:           | A/D converter reference potential (+ side) input | RxD0 to RxD3:           | Receive data                                   |
| EVDD0, EVDD1:     | Power supply for port                            | SCLA0, SCLA1,           |  |
| EVSS0, EVSS1:     | Ground for port                                  | SCK00, SCK01, SCK10,    |  |
| EXCLK:            | External clock input (Main system clock)         | SCK11, SCK20, SCK21,    |  |
| EXCLKS:           | External clock input (Subsystem clock)           | SCK30, SCK31:           | Serial clock input/output                      |
| INTP0 to INTP11:  | Interrupt request from peripheral                | SCL00, SCL01, SCL10,    |  |
| KR0 to KR7:       | Key return                                       | SCL11, SCL20, SCL21,    |  |
| P00 to P07:       | Port 0   | SCL30, SCL31:           | Serial clock output                            |
| P10 to P17:       | Port 1   | SDAA0, SDAA1, SDA00,    |  |
| P20 to P27:       | Port 2   | SDA01, SDA10, SDA11,    |  |
| P30 to P37:       | Port 3   | SDA20, SDA21, SDA30,    |  |
| P40 to P47:       | Port 4   | SDA31:                  | Serial data input/output                       |
| P50 to P57:       | Port 5   | SI00, SI01, SI10, SI11, |  |
| P60 to P67:       | Port 6   | SI20, SI21, SI30, SI31: | Serial data input                              |
| P70 to P77:       | Port 7   | SO00, SO01, SO10,       |  |
| P80 to P87:       | Port 8   | SO11, SO20, SO21,       |  |
| P90 to P97:       | Port 9   | SO30, SO31:             | Serial data output                             |
| P100 to P106:     | Port 10  | TI00 to TI07,           |  |
| P110 to P117:     | Port 11  | TI10 to TI17:           | Timer input                                    |
| P120 to P127:     | Port 12  | TO00 to TO07,           |  |
| P130, P137:       | Port 13  | TO10 to TO17:           | Timer output                                   |
| P140 to P147:     | Port 14  | TOOL0:                  | Data input/output for tool                     |
| P150 to P156:     | Port 15  | TOOLRxD, TOOLTxD:       | Data input/output for external device          |
| PCLBUZ0, PCLBUZ1: | Programmable clock output/buzzer output          | TxD0 to TxD3:           | Transmit data                                  |
|                   |  | VDD:                    | Power supply                                   |
|                   |  | VSS:                    | Ground   |
|                   |  | X1, X2:                 | Crystal oscillator (main system clock)         |
|                   |  | XT1, XT2:               | Crystal oscillator (subsystem clock)           |

### 1.5 Block Diagram

#### 1.5.1 20-pin products



1.5.2 24-pin products





1.5.3 25-pin products



1.5.4 30-pin products



**Remark** Functions in parentheses in the above figure can be assigned via settings in the peripheral I/O redirection register (PIOR). Refer to **Figure 4-8 Format of Peripheral I/O Redirection Register (PIOR)** in the RL78/G13 User's Manual.

1.5.5 32-pin products



**Remark** Functions in parentheses in the above figure can be assigned via settings in the peripheral I/O redirection register (PIOR). Refer to **Figure 4-8 Format of Peripheral I/O Redirection Register (PIOR)** in the RL78/G13 User's Manual.

1.5.6 36-pin products



**Remark** Functions in parentheses in the above figure can be assigned via settings in the peripheral I/O redirection register (PIOR). Refer to **Figure 4-8 Format of Peripheral I/O Redirection Register (PIOR)** in the RL78/G13 User's Manual.

1.5.7 40-pin products



**Remark** Functions in parentheses in the above figure can be assigned via settings in the peripheral I/O redirection register (PIOR). Refer to **Figure 4-8 Format of Peripheral I/O Redirection Register (PIOR)** in the RL78/G13 User's Manual.

1.5.8 44-pin products



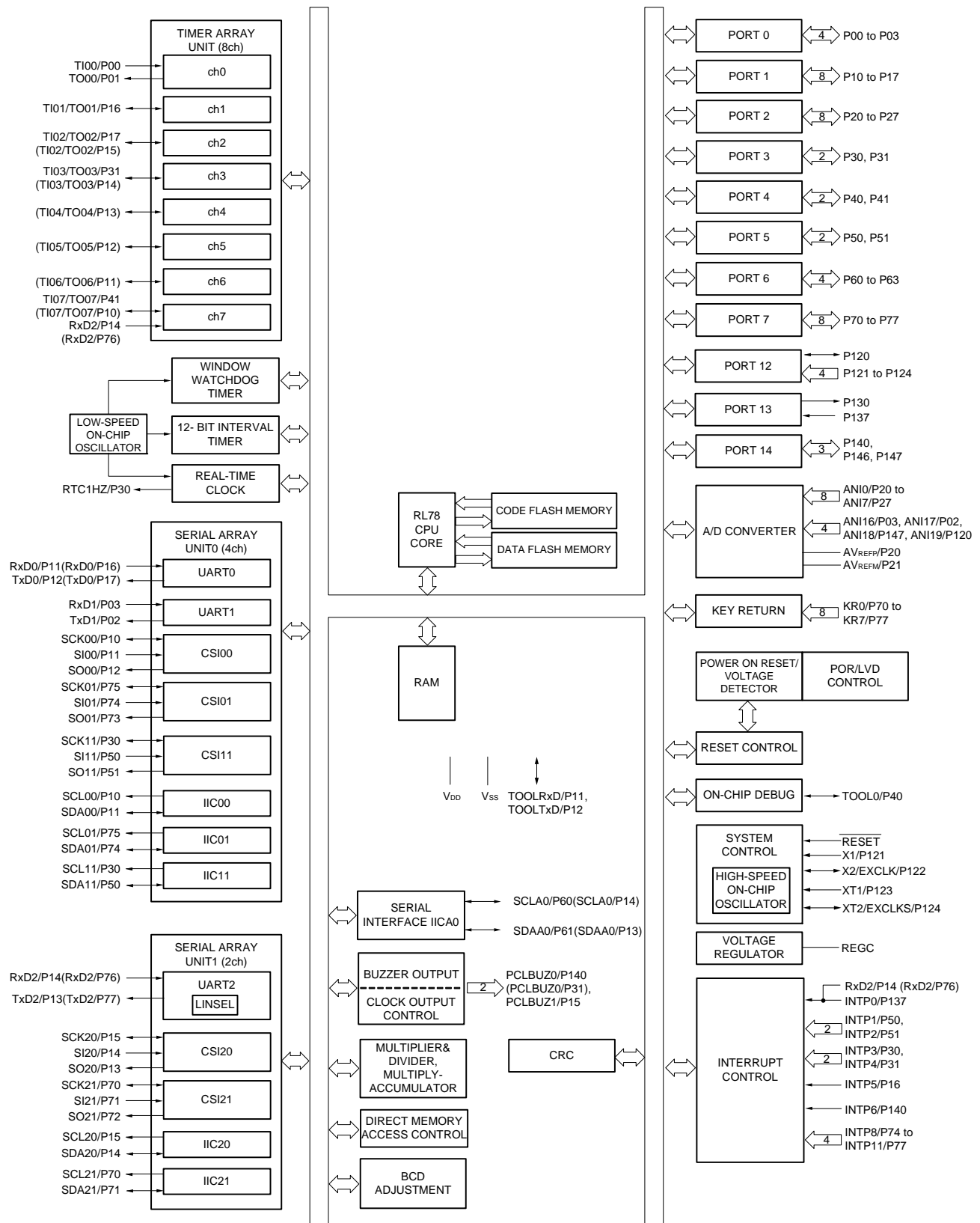
**Remark** Functions in parentheses in the above figure can be assigned via settings in the peripheral I/O redirection register (PIOR). Refer to **Figure 4-8 Format of Peripheral I/O Redirection Register (PIOR)** in the RL78/G13 User's Manual.

1.5.9 48-pin products



**Remark** Functions in parentheses in the above figure can be assigned via settings in the peripheral I/O redirection register (PIOR). Refer to **Figure 4-8 Format of Peripheral I/O Redirection Register (PIOR)** in the RL78/G13 User's Manual.

1.5.10 52-pin products



**Remark** Functions in parentheses in the above figure can be assigned via settings in the peripheral I/O redirection register (PIOR). Refer to **Figure 4-8 Format of Peripheral I/O Redirection Register (PIOR)** in the RL78/G13 User's Manual.



1.5.11 64-pin products



**Remark** Functions in parentheses in the above figure can be assigned via settings in the peripheral I/O redirection register (PIOR). Refer to **Figure 4-8 Format of Peripheral I/O Redirection Register (PIOR)** in the RL78/G13 User's Manual.

1.5.12 80-pin products



**Remark** Functions in parentheses in the above figure can be assigned via settings in the peripheral I/O redirection register (PIOR). Refer to **Figure 4-8 Format of Peripheral I/O Redirection Register (PIOR)** in the RL78/G13 User's Manual.

1.5.13 100-pin products



**Remark** Functions in parentheses in the above figure can be assigned via settings in the peripheral I/O redirection register (PIOR). Refer to **Figure 4-8 Format of Peripheral I/O Redirection Register (PIOR)** in the RL78/G13 User's Manual.

1.5.14 128-pin products



**Remark** Functions in parentheses in the above figure can be assigned via settings in the peripheral I/O redirection register (PIOR). Refer to **Figure 4-8 Format of Peripheral I/O Redirection Register (PIOR)** in the RL78/G13 User's Manual.

## 1.6 Outline of Functions

[20-pin, 24-pin, 25-pin, 30-pin, 32-pin, 36-pin products]

**Caution** This outline describes the functions at the time when Peripheral I/O redirection register (PIOR) is set to 00H.

(1/2)

| Item                               | 20-pin  |   | 24-pin   |  | 25-pin   |  | 30-pin  |          | 32-pin                   |          | 36-pin                   |          |  |
|------------------------------------|---|---|--|--|--|--|---|----------|--------------------------|----------|--------------------------|----------|--|
|                                    | R5F1006X  | R5F1016X  | R5F1007X   | R5F1017X   | R5F1008X   | R5F1018X   | R5F100AX  | R5F101AX | R5F100BX                 | R5F101BX | R5F100CX                 | R5F101CX |  |
| Code flash memory (KB)             | 16 to 64  |   | 16 to 64   |  | 16 to 64   |  | 16 to 128   |          | 16 to 128                |          | 16 to 128                |          |  |
| Data flash memory (KB)             | 4   | –   | 4  | –  | 4  | –  | 4 to 8  | –        | 4 to 8                   | –        | 4 to 8                   | –        |  |
| RAM (KB)                           | 2 to 4 <sup>Note1</sup>   |   | 2 to 4 <sup>Note1</sup>                                      |  | 2 to 4 <sup>Note1</sup>                                      |  | 2 to 12 <sup>Note1</sup>  |          | 2 to 12 <sup>Note1</sup> |          | 2 to 12 <sup>Note1</sup> |          |  |
| Address space                      | 1 MB  |   |  |  |  |  |   |          |                          |          |                          |          |  |
| Main system clock                  | High-speed system clock   | X1 (crystal/ceramic) oscillation, external main system clock input (EXCLK)<br>HS (High-speed main) mode: 1 to 20 MHz ( $V_{DD} = 2.7$ to 5.5 V),<br>HS (High-speed main) mode: 1 to 16 MHz ( $V_{DD} = 2.4$ to 5.5 V),<br>LS (Low-speed main) mode: 1 to 8 MHz ( $V_{DD} = 1.8$ to 5.5 V),<br>LV (Low-voltage main) mode: 1 to 4 MHz ( $V_{DD} = 1.6$ to 5.5 V) |  |  |  |  |   |          |                          |          |                          |          |  |
|                                    | High-speed on-chip oscillator   | HS (High-speed main) mode: 1 to 32 MHz ( $V_{DD} = 2.7$ to 5.5 V),<br>HS (High-speed main) mode: 1 to 16 MHz ( $V_{DD} = 2.4$ to 5.5 V),<br>LS (Low-speed main) mode: 1 to 8 MHz ( $V_{DD} = 1.8$ to 5.5 V),<br>LV (Low-voltage main) mode: 1 to 4 MHz ( $V_{DD} = 1.6$ to 5.5 V)   |  |  |  |  |   |          |                          |          |                          |          |  |
| Subsystem clock                    | –   |   |  |  |  |  |   |          |                          |          |                          |          |  |
| Low-speed on-chip oscillator       | 15 kHz (TYP.)   |   |  |  |  |  |   |          |                          |          |                          |          |  |
| General-purpose registers          | (8-bit register × 8) × 4 banks  |   |  |  |  |  |   |          |                          |          |                          |          |  |
| Minimum instruction execution time | 0.03125 μs (High-speed on-chip oscillator: $f_{IH} = 32$ MHz operation)   |   |  |  |  |  |   |          |                          |          |                          |          |  |
|                                    | 0.05 μs (High-speed system clock: $f_{MX} = 20$ MHz operation)  |   |  |  |  |  |   |          |                          |          |                          |          |  |
| Instruction set                    | <ul style="list-style-type: none"> <li>• Data transfer (8/16 bits)</li> <li>• Adder and subtractor/logical operation (8/16 bits)</li> <li>• Multiplication (8 bits × 8 bits)</li> <li>• Rotate, barrel shift, and bit manipulation (Set, reset, test, and Boolean operation), etc.</li> </ul> |   |  |  |  |  |   |          |                          |          |                          |          |  |
| I/O port                           | Total   | 16  | 20   | 21   | 26   | 28   | 32  |          |                          |          |                          |          |  |
|                                    | CMOS I/O  | 13<br>(N-ch O.D. I/O<br>[ $V_{DD}$ withstand<br>voltage]: 5)  | 15<br>(N-ch O.D. I/O<br>[ $V_{DD}$ withstand<br>voltage]: 6) | 15<br>(N-ch O.D. I/O<br>[ $V_{DD}$ withstand<br>voltage]: 6) | 21<br>(N-ch O.D. I/O<br>[ $V_{DD}$ withstand<br>voltage]: 9) | 22<br>(N-ch O.D. I/O<br>[ $V_{DD}$ withstand<br>voltage]: 9) | 26<br>(N-ch O.D. I/O<br>[ $V_{DD}$ withstand<br>voltage]: 10)   |          |                          |          |                          |          |  |
|                                    | CMOS input  | 3   | 3  | 3  | 3  | 3  | 3   |          |                          |          |                          |          |  |
|                                    | CMOS output   | –   | –  | 1  | –  | –  | –   |          |                          |          |                          |          |  |
|                                    | N-ch O.D. I/O<br>(withstand voltage: 6 V)   | –   | 2  | 2  | 2  | 3  | 3   |          |                          |          |                          |          |  |
| Timer                              | 16-bit timer  | 8 channels  |  |  |  |  |   |          |                          |          |                          |          |  |
|                                    | Watchdog timer  | 1 channel   |  |  |  |  |   |          |                          |          |                          |          |  |
|                                    | Real-time clock (RTC)   | 1 channel <sup>Note 2</sup>   |  |  |  |  |   |          |                          |          |                          |          |  |
|                                    | 12-bit interval timer (IT)  | 1 channel   |  |  |  |  |   |          |                          |          |                          |          |  |
|                                    | Timer output  | 3 channels<br>(PWM outputs:<br>2 <sup>Note 3</sup> )  | 4 channels<br>(PWM outputs: 3 <sup>Note 3</sup> )            |  |  |  | 4 channels (PWM outputs: 3 <sup>Note 3</sup> ),<br>8 channels (PWM outputs: 7 <sup>Note 3</sup> ) <sup>Note 4</sup> |          |                          |          |                          |          |  |
|                                    | RTC output  | –   |  |  |  |  |   |          |                          |          |                          |          |  |

**Notes 1.** The flash library uses RAM in self-programming and rewriting of the data flash memory. The target products and start address of the RAM areas used by the flash library are shown below.

R5F100xD, R5F101xD (x = 6 to 8, A to C): Start address FF300H

R5F100xE, R5F101xE (x = 6 to 8, A to C): Start address FEF00H

For the RAM areas used by the flash library, see **Self RAM list of Flash Self-Programming Library for RL78 Family (R20UT2944)**.

- Notes**
- Only the constant-period interrupt function when the low-speed on-chip oscillator clock ( $f_{IL}$ ) is selected
  - The number of PWM outputs varies depending on the setting of channels in use (the number of masters and slaves) (see **6.9.3 Operation as multiple PWM output function** in the RL78/G13 User's Manual).
  - When setting to PIOR = 1

(2/2)

| Item  | 20-pin  |          | 24-pin     |           | 25-pin     |           | 30-pin     |           | 32-pin     |           | 36-pin     |           |  |
|---|---|----------|------------|-----------|------------|-----------|------------|-----------|------------|-----------|------------|-----------|--|
|   | R5F1006X  | R5F1016X | R5F1007X   | R5F1017X  | R5F1008X   | R5F1018X  | R5F100AX   | R5F101AX  | R5F100BX   | R5F101BX  | R5F100CX   | R5F101CX  |  |
| Clock output/buzzer output                  | -   |          | 1          |           | 1          |           | 2          |           | 2          |           | 2          |           |  |
|   | <ul style="list-style-type: none"> <li>2.44 kHz, 4.88 kHz, 9.76 kHz, 1.25 MHz, 2.5 MHz, 5 MHz, 10 MHz<br/>(Main system clock: <math>f_{MAIN} = 20</math> MHz operation)</li> </ul>  |          |            |           |            |           |            |           |            |           |            |           |  |
| 8/10-bit resolution A/D converter           | 6 channels  |          | 6 channels |           | 6 channels |           | 8 channels |           | 8 channels |           | 8 channels |           |  |
| Serial interface                            | <p>[20-pin, 24-pin, 25-pin products]</p> <ul style="list-style-type: none"> <li>CSI: 1 channel/simplified I<sup>2</sup>C: 1 channel/UART: 1 channel</li> <li>CSI: 1 channel/simplified I<sup>2</sup>C: 1 channel/UART: 1 channel</li> </ul> <p>[30-pin, 32-pin products]</p> <ul style="list-style-type: none"> <li>CSI: 1 channel/simplified I<sup>2</sup>C: 1 channel/UART: 1 channel</li> <li>CSI: 1 channel/simplified I<sup>2</sup>C: 1 channel/UART: 1 channel</li> <li>CSI: 1 channel/simplified I<sup>2</sup>C: 1 channel/UART (UART supporting LIN-bus): 1 channel</li> </ul> <p>[36-pin products]</p> <ul style="list-style-type: none"> <li>CSI: 1 channel/simplified I<sup>2</sup>C: 1 channel/UART: 1 channel</li> <li>CSI: 1 channel/simplified I<sup>2</sup>C: 1 channel/UART: 1 channel</li> <li>CSI: 2 channels/simplified I<sup>2</sup>C: 2 channels/UART (UART supporting LIN-bus): 1 channel</li> </ul> |          |            |           |            |           |            |           |            |           |            |           |  |
|   | I <sup>2</sup> C bus  | -        |            | 1 channel |            | 1 channel |            | 1 channel |            | 1 channel |            | 1 channel |  |
| Multiplier and divider/multiply-accumulator | <ul style="list-style-type: none"> <li>16 bits × 16 bits = 32 bits (Unsigned or signed)</li> <li>32 bits ÷ 32 bits = 32 bits (Unsigned)</li> <li>16 bits × 16 bits + 32 bits = 32 bits (Unsigned or signed)</li> </ul>  |          |            |           |            |           |            |           |            |           |            |           |  |
| DMA controller                              | 2 channels  |          |            |           |            |           |            |           |            |           |            |           |  |
| Vectored interrupt sources                  | Internal  | 23       |            | 24        |            | 24        |            | 27        |            | 27        |            | 27        |  |
|   | External  | 3        |            | 5         |            | 5         |            | 6         |            | 6         |            | 6         |  |
| Key interrupt                               | -   |          |            |           |            |           |            |           |            |           |            |           |  |
| Reset                                       | <ul style="list-style-type: none"> <li>Reset by RESET pin</li> <li>Internal reset by watchdog timer</li> <li>Internal reset by power-on-reset</li> <li>Internal reset by voltage detector</li> <li>Internal reset by illegal instruction execution <sup>Note</sup></li> <li>Internal reset by RAM parity error</li> <li>Internal reset by illegal-memory access</li> </ul>  |          |            |           |            |           |            |           |            |           |            |           |  |
| Power-on-reset circuit                      | <ul style="list-style-type: none"> <li>Power-on-reset: 1.51 V (TYP.)</li> <li>Power-down-reset: 1.50 V (TYP.)</li> </ul>  |          |            |           |            |           |            |           |            |           |            |           |  |
| Voltage detector                            | <ul style="list-style-type: none"> <li>Rising edge : 1.67 V to 4.06 V (14 stages)</li> <li>Falling edge : 1.63 V to 3.98 V (14 stages)</li> </ul>   |          |            |           |            |           |            |           |            |           |            |           |  |
| On-chip debug function                      | Provided  |          |            |           |            |           |            |           |            |           |            |           |  |
| Power supply voltage                        | $V_{DD} = 1.6$ to $5.5$ V ( $T_A = -40$ to $+85^\circ\text{C}$ )<br>$V_{DD} = 2.4$ to $5.5$ V ( $T_A = -40$ to $+105^\circ\text{C}$ )   |          |            |           |            |           |            |           |            |           |            |           |  |
| Operating ambient temperature               | $T_A = 40$ to $+85^\circ\text{C}$ (A: Consumer applications, D: Industrial applications )<br>$T_A = 40$ to $+105^\circ\text{C}$ (G: Industrial applications)  |          |            |           |            |           |            |           |            |           |            |           |  |

**Note** The illegal instruction is generated when instruction code FFH is executed.

Reset by the illegal instruction execution not issued by emulation with the in-circuit emulator or on-chip debug emulator.

[40-pin, 44-pin, 48-pin, 52-pin, 64-pin products]

**Caution** This outline describes the functions at the time when Peripheral I/O redirection register (PIOR) is set to 00H.

(1/2)

| Item                               |   | 40-pin  |          | 44-pin   |          | 48-pin  |          | 52-pin  |          | 64-pin  |          |  |  |
|------------------------------------|---|---|----------|--|----------|---|----------|---|----------|---|----------|--|--|
|                                    |   | R5F100EX  | R5F101EX | R5F100FX   | R5F101FX | R5F100GX  | R5F101GX | R5F100JX  | R5F101JX | R5F100LX  | R5F101LX |  |  |
| Code flash memory (KB)             |   | 16 to 192   |          | 16 to 512  |          | 16 to 512   |          | 32 to 512   |          | 32 to 512   |          |  |  |
| Data flash memory (KB)             |   | 4 to 8  | –        | 4 to 8   | –        | 4 to 8  | –        | 4 to 8  | –        | 4 to 8  | –        |  |  |
| RAM (KB)                           |   | 2 to 16 <sup>Note1</sup>  |          | 2 to 32 <sup>Note1</sup>   |          | 2 to 32 <sup>Note1</sup>  |          | 2 to 32 <sup>Note1</sup>  |          | 2 to 32 <sup>Note1</sup>  |          |  |  |
| Address space                      |   | 1 MB  |          |  |          |   |          |   |          |   |          |  |  |
| Main system clock                  | High-speed system clock                   | X1 (crystal/ceramic) oscillation, external main system clock input (EXCLK)<br>HS (High-speed main) mode: 1 to 20 MHz (V <sub>DD</sub> = 2.7 to 5.5 V),<br>HS (High-speed main) mode: 1 to 16 MHz (V <sub>DD</sub> = 2.4 to 5.5 V),<br>LS (Low-speed main) mode: 1 to 8 MHz (V <sub>DD</sub> = 1.8 to 5.5 V),<br>LV (Low-voltage main) mode: 1 to 4 MHz (V <sub>DD</sub> = 1.6 to 5.5 V) |          |  |          |   |          |   |          |   |          |  |  |
|                                    | High-speed on-chip oscillator             | HS (High-speed main) mode: 1 to 32 MHz (V <sub>DD</sub> = 2.7 to 5.5 V),<br>HS (High-speed main) mode: 1 to 16 MHz (V <sub>DD</sub> = 2.4 to 5.5 V),<br>LS (Low-speed main) mode: 1 to 8 MHz (V <sub>DD</sub> = 1.8 to 5.5 V),<br>LV (Low-voltage main) mode: 1 to 4 MHz (V <sub>DD</sub> = 1.6 to 5.5 V)   |          |  |          |   |          |   |          |   |          |  |  |
| Subsystem clock                    |   | XT1 (crystal) oscillation, external subsystem clock input (EXCLKS)<br>32.768 kHz  |          |  |          |   |          |   |          |   |          |  |  |
| Low-speed on-chip oscillator       |   | 15 kHz (TYP.)   |          |  |          |   |          |   |          |   |          |  |  |
| General-purpose registers          |   | (8-bit register × 8) × 4 banks  |          |  |          |   |          |   |          |   |          |  |  |
| Minimum instruction execution time |   | 0.03125 μs (High-speed on-chip oscillator: f <sub>IH</sub> = 32 MHz operation)  |          |  |          |   |          |   |          |   |          |  |  |
|                                    |   | 0.05 μs (High-speed system clock: f <sub>MX</sub> = 20 MHz operation)   |          |  |          |   |          |   |          |   |          |  |  |
|                                    |   | 30.5 μs (Subsystem clock: f <sub>SUB</sub> = 32.768 kHz operation)  |          |  |          |   |          |   |          |   |          |  |  |
| Instruction set                    |   | <ul style="list-style-type: none"> <li>• Data transfer (8/16 bits)</li> <li>• Adder and subtractor/logical operation (8/16 bits)</li> <li>• Multiplication (8 bits × 8 bits)</li> <li>• Rotate, barrel shift, and bit manipulation (Set, reset, test, and Boolean operation), etc.</li> </ul>   |          |  |          |   |          |   |          |   |          |  |  |
| I/O port                           | Total                                     | 36  |          | 40   |          | 44  |          | 48  |          | 58  |          |  |  |
|                                    | CMOS I/O                                  | 28<br>(N-ch O.D. I/O<br>[V <sub>DD</sub> withstand<br>voltage]: 10)   |          | 31<br>(N-ch O.D. I/O<br>[V <sub>DD</sub> withstand<br>voltage]: 10)                                  |          | 34<br>(N-ch O.D. I/O<br>[V <sub>DD</sub> withstand<br>voltage]: 11) |          | 38<br>(N-ch O.D. I/O<br>[V <sub>DD</sub> withstand<br>voltage]: 13) |          | 48<br>(N-ch O.D. I/O<br>[V <sub>DD</sub> withstand<br>voltage]: 15) |          |  |  |
|                                    | CMOS input                                | 5   |          | 5  |          | 5   |          | 5   |          | 5   |          |  |  |
|                                    | CMOS output                               | –   |          | –  |          | 1   |          | 1   |          | 1   |          |  |  |
|                                    | N-ch O.D. I/O<br>(withstand voltage: 6 V) | 3   |          | 4  |          | 4   |          | 4   |          | 4   |          |  |  |
| Timer                              | 16-bit timer                              | 8 channels  |          |  |          |   |          |   |          |   |          |  |  |
|                                    | Watchdog timer                            | 1 channel   |          |  |          |   |          |   |          |   |          |  |  |
|                                    | Real-time clock (RTC)                     | 1 channel   |          |  |          |   |          |   |          |   |          |  |  |
|                                    | 12-bit interval timer (IT)                | 1 channel   |          |  |          |   |          |   |          |   |          |  |  |
|                                    | Timer output                              | 4 channels (PWM<br>outputs: 3 <sup>Note2</sup> ),<br>8 channels (PWM<br>outputs: 7 <sup>Note2</sup> Note3)  |          | 5 channels (PWM outputs: 4 <sup>Note2</sup> ),<br>8 channels (PWM outputs: 7 <sup>Note2</sup> Note3) |          |   |          |   |          | 8 channels (PWM<br>outputs: 7 <sup>Note2</sup> )                    |          |  |  |
|                                    | RTC output                                | 1 channel<br>• 1 Hz (subsystem clock: f <sub>SUB</sub> = 32.768 kHz)  |          |  |          |   |          |   |          |   |          |  |  |

**Notes 1.** The flash library uses RAM in self-programming and rewriting of the data flash memory. The target products and start address of the RAM areas used by the flash library are shown below.  
R5F100xD, R5F101xD (x = E to G, J, L): Start address FF300H  
R5F100xE, R5F101xE (x = E to G, J, L): Start address FEF00H  
R5F100xJ, R5F101xJ (x = F, G, J, L): Start address FAF00H  
R5F100xL, R5F101xL (x = F, G, J, L): Start address F7F00H  
For the RAM areas used by the flash library, see **Self RAM list of Flash Self-Programming Library for RL78 Family (R20UT2944)**.

- Notes**
- The number of PWM outputs varies depending on the setting of channels in use (the number of masters and slaves) (see **6.9.3 Operation as multiple PWM output function** in the RL78/G13 User's Manual).
  - When setting to PIOR = 1

(2/2)

| Item  | 40-pin   |           | 44-pin      |           | 48-pin      |           | 52-pin      |           | 64-pin      |           |  |
|---|--|-----------|-------------|-----------|-------------|-----------|-------------|-----------|-------------|-----------|--|
|   | R5F100EX   | R5F101EX  | R5F100FX    | R5F101FX  | R5F100GX    | R5F101GX  | R5F100JX    | R5F101JX  | R5F100LX    | R5F101LX  |  |
| Clock output/buzzer output                  | 2  |           | 2           |           | 2           |           | 2           |           | 2           |           |  |
|   | <ul style="list-style-type: none"> <li>2.44 kHz, 4.88 kHz, 9.76 kHz, 1.25 MHz, 2.5 MHz, 5 MHz, 10 MHz<br/>(Main system clock: <math>f_{\text{MAIN}} = 20 \text{ MHz}</math> operation)</li> <li>256 Hz, 512 Hz, 1.024 kHz, 2.048 kHz, 4.096 kHz, 8.192 kHz, 16.384 kHz, 32.768 kHz<br/>(Subsystem clock: <math>f_{\text{SUB}} = 32.768 \text{ kHz}</math> operation)</li> </ul>  |           |             |           |             |           |             |           |             |           |  |
| 8/10-bit resolution A/D converter           | 9 channels   |           | 10 channels |           | 10 channels |           | 12 channels |           | 12 channels |           |  |
| Serial interface                            | <p>[40-pin, 44-pin products]</p> <ul style="list-style-type: none"> <li>CSI: 1 channel/simplified I<sup>2</sup>C: 1 channel/UART: 1 channel</li> <li>CSI: 1 channel/simplified I<sup>2</sup>C: 1 channel/UART: 1 channel</li> <li>CSI: 2 channels/simplified I<sup>2</sup>C: 2 channels/UART (UART supporting LIN-bus): 1 channel</li> </ul> <p>[48-pin, 52-pin products]</p> <ul style="list-style-type: none"> <li>CSI: 2 channels/simplified I<sup>2</sup>C: 2 channels/UART: 1 channel</li> <li>CSI: 1 channel/simplified I<sup>2</sup>C: 1 channel/UART: 1 channel</li> <li>CSI: 2 channels/simplified I<sup>2</sup>C: 2 channels/UART (UART supporting LIN-bus): 1 channel</li> </ul> <p>[64-pin products]</p> <ul style="list-style-type: none"> <li>CSI: 2 channels/simplified I<sup>2</sup>C: 2 channels/UART: 1 channel</li> <li>CSI: 2 channels/simplified I<sup>2</sup>C: 2 channels/UART: 1 channel</li> <li>CSI: 2 channels/simplified I<sup>2</sup>C: 2 channels/UART (UART supporting LIN-bus): 1 channel</li> </ul> |           |             |           |             |           |             |           |             |           |  |
|   | I <sup>2</sup> C bus   | 1 channel |             | 1 channel |             | 1 channel |             | 1 channel |             | 1 channel |  |
| Multiplier and divider/multiply-accumulator | <ul style="list-style-type: none"> <li>16 bits × 16 bits = 32 bits (Unsigned or signed)</li> <li>32 bits ÷ 32 bits = 32 bits (Unsigned)</li> <li>16 bits × 16 bits + 32 bits = 32 bits (Unsigned or signed)</li> </ul>   |           |             |           |             |           |             |           |             |           |  |
| DMA controller                              | 2 channels   |           |             |           |             |           |             |           |             |           |  |
| Vectored interrupt sources                  | Internal   | 27        |             | 27        |             | 27        |             | 27        |             | 27        |  |
|   | External   | 7         |             | 7         |             | 10        |             | 12        |             | 13        |  |
| Key interrupt                               | 4  |           | 4           |           | 6           |           | 8           |           | 8           |           |  |
| Reset                                       | <ul style="list-style-type: none"> <li>Reset by RESET pin</li> <li>Internal reset by watchdog timer</li> <li>Internal reset by power-on-reset</li> <li>Internal reset by voltage detector</li> <li>Internal reset by illegal instruction execution <sup>Note</sup></li> <li>Internal reset by RAM parity error</li> <li>Internal reset by illegal-memory access</li> </ul>   |           |             |           |             |           |             |           |             |           |  |
| Power-on-reset circuit                      | <ul style="list-style-type: none"> <li>Power-on-reset: 1.51 V (TYP.)</li> <li>Power-down-reset: 1.50 V (TYP.)</li> </ul>   |           |             |           |             |           |             |           |             |           |  |
| Voltage detector                            | <ul style="list-style-type: none"> <li>Rising edge : 1.67 V to 4.06 V (14 stages)</li> <li>Falling edge : 1.63 V to 3.98 V (14 stages)</li> </ul>  |           |             |           |             |           |             |           |             |           |  |
| On-chip debug function                      | Provided   |           |             |           |             |           |             |           |             |           |  |
| Power supply voltage                        | $V_{\text{DD}} = 1.6 \text{ to } 5.5 \text{ V}$ ( $T_{\text{A}} = -40 \text{ to } +85^{\circ}\text{C}$ )<br>$V_{\text{DD}} = 2.4 \text{ to } 5.5 \text{ V}$ ( $T_{\text{A}} = -40 \text{ to } +105^{\circ}\text{C}$ )  |           |             |           |             |           |             |           |             |           |  |
| Operating ambient temperature               | $T_{\text{A}} = 40 \text{ to } +85^{\circ}\text{C}$ (A: Consumer applications, D: Industrial applications)<br>$T_{\text{A}} = 40 \text{ to } +105^{\circ}\text{C}$ (G: Industrial applications)  |           |             |           |             |           |             |           |             |           |  |

**Note** The illegal instruction is generated when instruction code FFH is executed.  
Reset by the illegal instruction execution not issued by emulation with the in-circuit emulator or on-chip debug emulator.



[80-pin, 100-pin, 128-pin products]

**Caution** This outline describes the functions at the time when Peripheral I/O redirection register (PIOR) is set to 00H.

(1/2)

| Item                               |  | 80-pin  |          | 100-pin  |          | 128-pin   |          |
|------------------------------------|--|---|----------|--|----------|---|----------|
|                                    |  | R5F100Mx  | R5F101Mx | R5F100Px   | R5F101Px | R5F100Sx  | R5F101Sx |
| Code flash memory (KB)             |  | 96 to 512   |          | 96 to 512  |          | 192 to 512  |          |
| Data flash memory (KB)             |  | 8   | –        | 8  | –        | 8   | –        |
| RAM (KB)                           |  | 8 to 32 <sup>Note 1</sup>   |          | 8 to 32 <sup>Note 1</sup>                                |          | 16 to 32 <sup>Note 1</sup>                                |          |
| Address space                      |  | 1 MB  |          |  |          |   |          |
| Main system clock                  | High-speed system clock                | X1 (crystal/ceramic) oscillation, external main system clock input (EXCLK)<br>HS (High-speed main) mode: 1 to 20 MHz ( $V_{DD} = 2.7$ to 5.5 V),<br>HS (High-speed main) mode: 1 to 16 MHz ( $V_{DD} = 2.4$ to 5.5 V),<br>LS (Low-speed main) mode: 1 to 8 MHz ( $V_{DD} = 1.8$ to 5.5 V),<br>LV (Low-voltage main) mode: 1 to 4 MHz ( $V_{DD} = 1.6$ to 5.5 V) |          |  |          |   |          |
|                                    | High-speed on-chip oscillator          | HS (High-speed main) mode: 1 to 32 MHz ( $V_{DD} = 2.7$ to 5.5 V),<br>HS (High-speed main) mode: 1 to 16 MHz ( $V_{DD} = 2.4$ to 5.5 V),<br>LS (Low-speed main) mode: 1 to 8 MHz ( $V_{DD} = 1.8$ to 5.5 V),<br>LV (Low-voltage main) mode: 1 to 4 MHz ( $V_{DD} = 1.6$ to 5.5 V)   |          |  |          |   |          |
| Subsystem clock                    |  | XT1 (crystal) oscillation, external subsystem clock input (EXCLKS)<br>32.768 kHz  |          |  |          |   |          |
| Low-speed on-chip oscillator       |  | 15 kHz (TYP.)   |          |  |          |   |          |
| General-purpose register           |  | (8-bit register × 8) × 4 banks  |          |  |          |   |          |
| Minimum instruction execution time |  | 0.03125 $\mu$ s (High-speed on-chip oscillator: $f_{IH} = 32$ MHz operation)  |          |  |          |   |          |
|                                    |  | 0.05 $\mu$ s (High-speed system clock: $f_{MX} = 20$ MHz operation)   |          |  |          |   |          |
|                                    |  | 30.5 $\mu$ s (Subsystem clock: $f_{SUB} = 32.768$ kHz operation)  |          |  |          |   |          |
| Instruction set                    |  | <ul style="list-style-type: none"> <li>• Data transfer (8/16 bits)</li> <li>• Adder and subtractor/logical operation (8/16 bits)</li> <li>• Multiplication (8 bits × 8 bits)</li> <li>• Rotate, barrel shift, and bit manipulation (Set, reset, test, and Boolean operation), etc.</li> </ul>   |          |  |          |   |          |
| I/O port                           | Total                                  | 74  |          | 92   |          | 120   |          |
|                                    | CMOS I/O                               | 64<br>(N-ch O.D. I/O [ $E_{VDD}$ withstand voltage]: 21)  |          | 82<br>(N-ch O.D. I/O [ $E_{VDD}$ withstand voltage]: 24) |          | 110<br>(N-ch O.D. I/O [ $E_{VDD}$ withstand voltage]: 25) |          |
|                                    | CMOS input                             | 5   |          | 5  |          | 5   |          |
|                                    | CMOS output                            | 1   |          | 1  |          | 1   |          |
|                                    | N-ch O.D. I/O (withstand voltage: 6 V) | 4   |          | 4  |          | 4   |          |
| Timer                              | 16-bit timer                           | 12 channels   |          | 12 channels  |          | 16 channels   |          |
|                                    | Watchdog timer                         | 1 channel   |          | 1 channel  |          | 1 channel   |          |
|                                    | Real-time clock (RTC)                  | 1 channel   |          | 1 channel  |          | 1 channel   |          |
|                                    | 12-bit interval timer (IT)             | 1 channel   |          | 1 channel  |          | 1 channel   |          |
|                                    | Timer output                           | 12 channels<br>(PWM outputs: 10 <sup>Note 2</sup> )   |          | 12 channels<br>(PWM outputs: 10 <sup>Note 2</sup> )      |          | 16 channels<br>(PWM outputs: 14 <sup>Note 2</sup> )       |          |
|                                    | RTC output                             | 1 channel<br>• 1 Hz (subsystem clock: $f_{SUB} = 32.768$ kHz)   |          |  |          |   |          |

**Notes 1.** The flash library uses RAM in self-programming and rewriting of the data flash memory.

The target products and start address of the RAM areas used by the flash library are shown below.

R5F100xJ, R5F101xJ (x = M, P): Start address FAF00H

R5F100xL, R5F101xL (x = M, P, S): Start address F7F00H

For the RAM areas used by the flash library, see **Self RAM list of Flash Self-Programming Library for RL78 Family (R20UT2944)**.

**Notes 2.** The number of PWM outputs varies depending on the setting of channels in use (the number of masters and slaves) (see **6.9.3 Operation as multiple PWM output function** in the RL78/G13 User's Manual).

(2/2)

| Item  | 80-pin   |          | 100-pin     |          | 128-pin     |          |
|---|--|----------|-------------|----------|-------------|----------|
|   | R5F100Mx   | R5F101Mx | R5F100Px    | R5F101Px | R5F100Sx    | R5F101Sx |
| Clock output/buzzer output                  | 2  |          | 2           |          | 2           |          |
|   | <ul style="list-style-type: none"> <li>2.44 kHz, 4.88 kHz, 9.76 kHz, 1.25 MHz, 2.5 MHz, 5 MHz, 10 MHz<br/>(Main system clock: <math>f_{MAIN} = 20</math> MHz operation)</li> <li>256 Hz, 512 Hz, 1.024 kHz, 2.048 kHz, 4.096 kHz, 8.192 kHz, 16.384 kHz, 32.768 kHz<br/>(Subsystem clock: <math>f_{SUB} = 32.768</math> kHz operation)</li> </ul>  |          |             |          |             |          |
| 8/10-bit resolution A/D converter           | 17 channels  |          | 20 channels |          | 26 channels |          |
| Serial interface                            | [80-pin, 100-pin, 128-pin products]  |          |             |          |             |          |
|   | <ul style="list-style-type: none"> <li>CSI: 2 channels/simplified I<sup>2</sup>C: 2 channels/UART: 1 channel</li> <li>CSI: 2 channels/simplified I<sup>2</sup>C: 2 channels/UART: 1 channel</li> <li>CSI: 2 channels/simplified I<sup>2</sup>C: 2 channels/UART (UART supporting LIN-bus): 1 channel</li> <li>CSI: 2 channels/simplified I<sup>2</sup>C: 2 channels/UART: 1 channel</li> </ul>     |          |             |          |             |          |
| I <sup>2</sup> C bus                        | 2 channels   |          | 2 channels  |          | 2 channels  |          |
| Multiplier and divider/multiply-accumulator | <ul style="list-style-type: none"> <li>16 bits × 16 bits = 32 bits (Unsigned or signed)</li> <li>32 bits ÷ 32 bits = 32 bits (Unsigned)</li> <li>16 bits × 16 bits + 32 bits = 32 bits (Unsigned or signed)</li> </ul>   |          |             |          |             |          |
| DMA controller                              | 4 channels   |          |             |          |             |          |
| Vectored interrupt sources                  | Internal   | 37       |             | 37       |             | 41       |
|   | External   | 13       |             | 13       |             | 13       |
| Key interrupt                               | 8  |          | 8           |          | 8           |          |
| Reset                                       | <ul style="list-style-type: none"> <li>Reset by <math>\overline{RESET}</math> pin</li> <li>Internal reset by watchdog timer</li> <li>Internal reset by power-on-reset</li> <li>Internal reset by voltage detector</li> <li>Internal reset by illegal instruction execution <sup>Note</sup></li> <li>Internal reset by RAM parity error</li> <li>Internal reset by illegal-memory access</li> </ul> |          |             |          |             |          |
| Power-on-reset circuit                      | <ul style="list-style-type: none"> <li>Power-on-reset: 1.51 V (TYP.)</li> <li>Power-down-reset: 1.50 V (TYP.)</li> </ul>   |          |             |          |             |          |
| Voltage detector                            | <ul style="list-style-type: none"> <li>Rising edge : 1.67 V to 4.06 V (14 stages)</li> <li>Falling edge : 1.63 V to 3.98 V (14 stages)</li> </ul>  |          |             |          |             |          |
| On-chip debug function                      | Provided   |          |             |          |             |          |
| Power supply voltage                        | $V_{DD} = 1.6$ to $5.5$ V ( $T_A = -40$ to $+85^\circ\text{C}$ )<br>$V_{DD} = 2.4$ to $5.5$ V ( $T_A = -40$ to $+105^\circ\text{C}$ )  |          |             |          |             |          |
| Operating ambient temperature               | $T_A = 40$ to $+85^\circ\text{C}$ (A: Consumer applications, D: Industrial applications)<br>$T_A = 40$ to $+105^\circ\text{C}$ (G: Industrial applications)  |          |             |          |             |          |

**Note** The illegal instruction is generated when instruction code FFH is executed.

Reset by the illegal instruction execution not issued by emulation with the in-circuit emulator or on-chip debug emulator.

## 2. ELECTRICAL SPECIFICATIONS ( $T_A = -40$ to $+85^\circ\text{C}$ )

This chapter describes the following electrical specifications.

Target products A: Consumer applications  $T_A = -40$  to  $+85^\circ\text{C}$

R5F100xxAxx, R5F101xxAxx

D: Industrial applications  $T_A = -40$  to  $+85^\circ\text{C}$

R5F100xxDxx, R5F101xxDxx

G: Industrial applications when  $T_A = -40$  to  $+105^\circ\text{C}$  products is used in the range of  $T_A = -40$  to  $+85^\circ\text{C}$

R5F100xxGxx

- Cautions**
- 1. The RL78 microcontrollers have an on-chip debug function, which is provided for development and evaluation. Do not use the on-chip debug function in products designated for mass production, because the guaranteed number of rewritable times of the flash memory may be exceeded when this function is used, and product reliability therefore cannot be guaranteed. Renesas Electronics is not liable for problems occurring when the on-chip debug function is used.**
  - 2. With products not provided with an  $EV_{DD0}$ ,  $EV_{DD1}$ ,  $EV_{SS0}$ , or  $EV_{SS1}$  pin, replace  $EV_{DD0}$  and  $EV_{DD1}$  with  $V_{DD}$ , or replace  $EV_{SS0}$  and  $EV_{SS1}$  with  $V_{SS}$ .**
  - 3. The pins mounted depend on the product. Refer to 2.1 Port Function to 2.2.1 Functions for each product in the RL78/G13 User's Manual.**

## 2.1 Absolute Maximum Ratings

### Absolute Maximum Ratings ( $T_A = 25^\circ\text{C}$ ) (1/2)

| Parameter              | Symbols              | Conditions  | Ratings   | Unit |
|------------------------|----------------------|---|---|------|
| Supply voltage         | $V_{DD}$             |   | -0.5 to +6.5  | V    |
|                        | $EV_{DD0}, EV_{DD1}$ | $EV_{DD0} = EV_{DD1}$   | -0.5 to +6.5  | V    |
|                        | $EV_{SS0}, EV_{SS1}$ | $EV_{SS0} = EV_{SS1}$   | -0.5 to +0.3  | V    |
| REGC pin input voltage | $V_{IREGC}$          | REGC  | -0.3 to +2.8<br>and -0.3 to $V_{DD} + 0.3$ <sup>Note 1</sup>                      | V    |
| Input voltage          | $V_{I1}$             | P00 to P07, P10 to P17, P30 to P37, P40 to P47,<br>P50 to P57, P64 to P67, P70 to P77, P80 to P87,<br>P90 to P97, P100 to P106, P110 to P117, P120,<br>P125 to P127, P140 to P147       | -0.3 to $EV_{DD0} + 0.3$<br>and -0.3 to $V_{DD} + 0.3$ <sup>Note 2</sup>          | V    |
|                        | $V_{I2}$             | P60 to P63 (N-ch open-drain)  | -0.3 to +6.5  | V    |
|                        | $V_{I3}$             | P20 to P27, P121 to P124, P137, P150 to P156,<br>EXCLK, EXCLKS, RESET   | -0.3 to $V_{DD} + 0.3$ <sup>Note 2</sup>  | V    |
| Output voltage         | $V_{O1}$             | P00 to P07, P10 to P17, P30 to P37, P40 to P47,<br>P50 to P57, P60 to P67, P70 to P77, P80 to P87,<br>P90 to P97, P100 to P106, P110 to P117, P120,<br>P125 to P127, P130, P140 to P147 | -0.3 to $EV_{DD0} + 0.3$<br>and -0.3 to $V_{DD} + 0.3$ <sup>Note 2</sup>          | V    |
|                        | $V_{O2}$             | P20 to P27, P150 to P156  | -0.3 to $V_{DD} + 0.3$ <sup>Note 2</sup>  | V    |
| Analog input voltage   | $V_{AI1}$            | ANI16 to ANI26  | -0.3 to $EV_{DD0} + 0.3$<br>and -0.3 to $AV_{REF(+)} + 0.3$ <sup>Notes 2, 3</sup> | V    |
|                        | $V_{AI2}$            | ANI0 to ANI14   | -0.3 to $V_{DD} + 0.3$<br>and -0.3 to $AV_{REF(+)} + 0.3$ <sup>Notes 2, 3</sup>   | V    |

**Notes 1.** Connect the REGC pin to  $V_{SS}$  via a capacitor (0.47 to 1  $\mu\text{F}$ ). This value regulates the absolute maximum rating of the REGC pin. Do not use this pin with voltage applied to it.

**2.** Must be 6.5 V or lower.

**3.** Do not exceed  $AV_{REF(+)} + 0.3$  V in case of A/D conversion target pin.

**Caution** Product quality may suffer if the absolute maximum rating is exceeded even momentarily for any parameter. That is, the absolute maximum ratings are rated values at which the product is on the verge of suffering physical damage, and therefore the product must be used under conditions that ensure that the absolute maximum ratings are not exceeded.

**Remarks 1.** Unless specified otherwise, the characteristics of alternate-function pins are the same as those of the port pins.

**2.**  $AV_{REF(+)}$ : + side reference voltage of the A/D converter.

**3.**  $V_{SS}$ : Reference voltage

**Absolute Maximum Ratings ( $T_A = 25^\circ\text{C}$ ) (2/2)**

| Parameter                     | Symbols                          | Conditions                   |  | Ratings  | Unit       |
|-------------------------------|----------------------------------|------------------------------|--|--|------------|
| Output current, high          | I <sub>OH1</sub>                 | Per pin                      | P00 to P07, P10 to P17,<br>P30 to P37, P40 to P47,<br>P50 to P57, P64 to P67,<br>P70 to P77, P80 to P87,<br>P90 to P97, P100 to P106,<br>P110 to P117, P120,<br>P125 to P127, P130, P140 to P147 | -40  | mA         |
|                               |                                  | Total of all pins<br>-170 mA | P00 to P04, P07, P32 to P37,<br>P40 to P47, P102 to P106, P120,<br>P125 to P127, P130, P140 to P145  | -70  | mA         |
|                               |                                  |                              | P05, P06, P10 to P17, P30, P31,<br>P50 to P57, P64 to P67,<br>P70 to P77, P80 to P87,<br>P90 to P97, P100, P101,<br>P110 to P117, P146, P147   | -100   | mA         |
|                               | I <sub>OH2</sub>                 | Per pin                      | P20 to P27, P150 to P156   | -0.5   | mA         |
|                               |                                  | Total of all pins            |  | -2   | mA         |
|                               | Output current, low              | I <sub>OL1</sub>             | Per pin  | P00 to P07, P10 to P17,<br>P30 to P37, P40 to P47,<br>P50 to P57, P60 to P67,<br>P70 to P77, P80 to P87,<br>P90 to P97, P100 to P106,<br>P110 to P117, P120,<br>P125 to P127, P130, P140 to P147 | 40         |
| Total of all pins<br>170 mA   |                                  |                              | P00 to P04, P07, P32 to P37,<br>P40 to P47, P102 to P106, P120,<br>P125 to P127, P130, P140 to P145  | 70   | mA         |
|                               |                                  |                              | P05, P06, P10 to P17, P30, P31,<br>P50 to P57, P60 to P67,<br>P70 to P77, P80 to P87,<br>P90 to P97, P100, P101,<br>P110 to P117, P146, P147   | 100  | mA         |
| I <sub>OL2</sub>              |                                  | Per pin                      | P20 to P27, P150 to P156   | 1  | mA         |
|                               |                                  | Total of all pins            |  | 5  | mA         |
| Operating ambient temperature |                                  | T <sub>A</sub>               | In normal operation mode   |  | -40 to +85 |
|                               | In flash memory programming mode |                              |  |  |            |
| Storage temperature           | T <sub>stg</sub>                 |                              |  | -65 to +150  | °C         |

**Caution** Product quality may suffer if the absolute maximum rating is exceeded even momentarily for any parameter. That is, the absolute maximum ratings are rated values at which the product is on the verge of suffering physical damage, and therefore the product must be used under conditions that ensure that the absolute maximum ratings are not exceeded.

**Remark** Unless specified otherwise, the characteristics of alternate-function pins are the same as those of the port pins.

## 2.2 Oscillator Characteristics

### 2.2.1 X1, XT1 oscillator characteristics

( $T_A = -40$  to  $+85^\circ\text{C}$ ,  $1.6\text{ V} \leq V_{DD} \leq 5.5\text{ V}$ ,  $V_{SS} = 0\text{ V}$ )

| Parameter   | Resonator                               | Conditions                                   | MIN. | TYP.   | MAX. | Unit |
|---|---|--|------|--------|------|------|
| X1 clock oscillation frequency ( $f_x$ ) <sup>Note</sup>  | Ceramic resonator/<br>crystal resonator | $2.7\text{ V} \leq V_{DD} \leq 5.5\text{ V}$ | 1.0  |        | 20.0 | MHz  |
|   |   | $2.4\text{ V} \leq V_{DD} < 2.7\text{ V}$    | 1.0  |        | 16.0 | MHz  |
|   |   | $1.8\text{ V} \leq V_{DD} < 2.4\text{ V}$    | 1.0  |        | 8.0  | MHz  |
|   |   | $1.6\text{ V} \leq V_{DD} < 1.8\text{ V}$    | 1.0  |        | 4.0  | MHz  |
| XT1 clock oscillation frequency ( $f_x$ ) <sup>Note</sup> | Crystal resonator                       |  | 32   | 32.768 | 35   | kHz  |

**Note** Indicates only permissible oscillator frequency ranges. Refer to AC Characteristics for instruction execution time. Request evaluation by the manufacturer of the oscillator circuit mounted on a board to check the oscillator characteristics.

**Caution** Since the CPU is started by the high-speed on-chip oscillator clock after a reset release, check the X1 clock oscillation stabilization time using the oscillation stabilization time counter status register (OSTC) by the user. Determine the oscillation stabilization time of the OSTC register and the oscillation stabilization time select register (OSTS) after sufficiently evaluating the oscillation stabilization time with the resonator to be used.

**Remark** When using the X1 oscillator and XT1 oscillator, refer to **5.4 System Clock Oscillator** in the RL78/G13 User's Manual.

### 2.2.2 On-chip oscillator characteristics

( $T_A = -40$  to  $+85^\circ\text{C}$ ,  $1.6\text{ V} \leq V_{DD} \leq 5.5\text{ V}$ ,  $V_{SS} = 0\text{ V}$ )

| Oscillators   | Parameters | Conditions                   |  | MIN. | TYP. | MAX. | Unit |
|---|------------|------------------------------|--|------|------|------|------|
| High-speed on-chip oscillator clock frequency <sup>Notes 1, 2</sup> | $f_{IH}$   |                              |  | 1    |      | 32   | MHz  |
| High-speed on-chip oscillator clock frequency accuracy              |            | $-20$ to $+85^\circ\text{C}$ | $1.8\text{ V} \leq V_{DD} \leq 5.5\text{ V}$ | -1.0 |      | +1.0 | %    |
|   |            |                              | $1.6\text{ V} \leq V_{DD} < 1.8\text{ V}$    | -5.0 |      | +5.0 | %    |
|   |            | $-40$ to $-20^\circ\text{C}$ | $1.8\text{ V} \leq V_{DD} \leq 5.5\text{ V}$ | -1.5 |      | +1.5 | %    |
|   |            |                              | $1.6\text{ V} \leq V_{DD} < 1.8\text{ V}$    | -5.5 |      | +5.5 | %    |
| Low-speed on-chip oscillator clock frequency                        | $f_{IL}$   |                              |  |      | 15   |      | kHz  |
| Low-speed on-chip oscillator clock frequency accuracy               |            |                              |  | -15  |      | +15  | %    |

**Notes 1.** High-speed on-chip oscillator frequency is selected by bits 0 to 3 of option byte (000C2H/010C2H) and bits 0 to 2 of HOCODIV register.

**2.** This indicates the oscillator characteristics only. Refer to AC Characteristics for instruction execution time.

## 2.3 DC Characteristics

### 2.3.1 Pin characteristics

(T<sub>A</sub> = -40 to +85°C, 1.6 V ≤ EV<sub>DD0</sub> = EV<sub>DD1</sub> ≤ V<sub>DD</sub> ≤ 5.5 V, V<sub>SS</sub> = EV<sub>SS0</sub> = EV<sub>SS1</sub> = 0 V) (1/5)

| Items   | Symbol                          | Conditions   | MIN.                                 | TYP.                            | MAX. | Unit             |                        |
|---|---------------------------------|--|--------------------------------------|---------------------------------|------|------------------|------------------------|
| Output current, high <sup>Note 1</sup>                    | I <sub>OH1</sub>                | Per pin for P00 to P07, P10 to P17, P30 to P37, P40 to P47, P50 to P57, P64 to P67, P70 to P77, P80 to P87, P90 to P97, P100 to P106, P110 to P117, P120, P125 to P127, P130, P140 to P147 | 1.6 V ≤ EV <sub>DD0</sub> ≤ 5.5 V    |                                 |      | -10.0<br>Note 2  | mA                     |
|   |                                 | Total of P00 to P04, P07, P32 to P37, P40 to P47, P102 to P106, P120, P125 to P127, P130, P140 to P145<br>(When duty ≤ 70% <sup>Note 3</sup> )   | 4.0 V ≤ EV <sub>DD0</sub> ≤ 5.5 V    |                                 |      | -55.0            | mA                     |
|   |                                 |  | 2.7 V ≤ EV <sub>DD0</sub> < 4.0 V    |                                 |      | -10.0            | mA                     |
|   |                                 |  | 1.8 V ≤ EV <sub>DD0</sub> < 2.7 V    |                                 |      | -5.0             | mA                     |
|   |                                 |  | 1.6 V ≤ EV <sub>DD0</sub> < 1.8 V    |                                 |      | -2.5             | mA                     |
|   |                                 | Total of P05, P06, P10 to P17, P30, P31, P50 to P57, P64 to P67, P70 to P77, P80 to P87, P90 to P97, P100, P101, P110 to P117, P146, P147<br>(When duty ≤ 70% <sup>Note 3</sup> )          | 4.0 V ≤ EV <sub>DD0</sub> ≤ 5.5 V    |                                 |      | -80.0            | mA                     |
|   |                                 |  | 2.7 V ≤ EV <sub>DD0</sub> < 4.0 V    |                                 |      | -19.0            | mA                     |
|   |                                 |  | 1.8 V ≤ EV <sub>DD0</sub> < 2.7 V    |                                 |      | -10.0            | mA                     |
|   |                                 | Total of all pins<br>(When duty ≤ 70% <sup>Note 3</sup> )  | 1.6 V ≤ EV <sub>DD0</sub> ≤ 5.5 V    |                                 |      | -135.0<br>Note 4 | mA                     |
|   |                                 | I <sub>OH2</sub>   | Per pin for P20 to P27, P150 to P156 | 1.6 V ≤ V <sub>DD</sub> ≤ 5.5 V |      |                  | -0.1 <sup>Note 2</sup> |
| Total of all pins<br>(When duty ≤ 70% <sup>Note 3</sup> ) | 1.6 V ≤ V <sub>DD</sub> ≤ 5.5 V |  |                                      |                                 | -1.5 | mA               |                        |

**Notes** 1. Value of current at which the device operation is guaranteed even if the current flows from the EV<sub>DD0</sub>, EV<sub>DD1</sub>, V<sub>DD</sub> pins to an output pin.

2. However, do not exceed the total current value.

3. Specification under conditions where the duty factor ≤ 70%.

The output current value that has changed to the duty factor > 70% the duty ratio can be calculated with the following expression (when changing the duty factor from 70% to n%).

- Total output current of pins = (I<sub>OH</sub> × 0.7)/(n × 0.01)

<Example> Where n = 80% and I<sub>OH</sub> = -10.0 mA

$$\text{Total output current of pins} = (-10.0 \times 0.7)/(80 \times 0.01) \cong -8.7 \text{ mA}$$

However, the current that is allowed to flow into one pin does not vary depending on the duty factor. A current higher than the absolute maximum rating must not flow into one pin.

4. The applied current for the products for industrial application (R5F100xxDxx, R5F101xxDxx, R5F100xxGxx) is -100 mA.

**Caution** P00, P02 to P04, P10 to P15, P17, P43 to P45, P50, P52 to P55, P71, P74, P80 to P82, P96, and P142 to P144 do not output high level in N-ch open-drain mode.

**Remark** Unless specified otherwise, the characteristics of alternate-function pins are the same as those of the port pins.

(T<sub>A</sub> = -40 to +85°C, 1.6 V ≤ EV<sub>DD0</sub> = EV<sub>DD1</sub> ≤ V<sub>DD</sub> ≤ 5.5 V, V<sub>SS</sub> = EV<sub>SS0</sub> = EV<sub>SS1</sub> = 0 V) (2/5)

| Items   | Symbol  | Conditions   | MIN.                              | TYP. | MAX.                   | Unit                  |    |
|---|---|--|-----------------------------------|------|------------------------|-----------------------|----|
| Output current, I <sub>OL</sub> <sup>Note 1</sup>         | I <sub>OL1</sub>  | Per pin for P00 to P07, P10 to P17, P30 to P37, P40 to P47, P50 to P57, P64 to P67, P70 to P77, P80 to P87, P90 to P97, P100 to P106, P110 to P117, P120, P125 to P127, P130, P140 to P147 |                                   |      | 20.0 <sup>Note 2</sup> | mA                    |    |
|   |   | Per pin for P60 to P63   |                                   |      | 15.0 <sup>Note 2</sup> | mA                    |    |
|   |   | Total of P00 to P04, P07, P32 to P37, P40 to P47, P102 to P106, P120, P125 to P127, P130, P140 to P145<br>(When duty ≤ 70% <sup>Note 3</sup> )   | 4.0 V ≤ EV <sub>DD0</sub> ≤ 5.5 V |      |                        | 70.0                  | mA |
|   |   |  | 2.7 V ≤ EV <sub>DD0</sub> < 4.0 V |      |                        | 15.0                  | mA |
|   |   |  | 1.8 V ≤ EV <sub>DD0</sub> < 2.7 V |      |                        | 9.0                   | mA |
|   |   |  | 1.6 V ≤ EV <sub>DD0</sub> < 1.8 V |      |                        | 4.5                   | mA |
|   |   | Total of P05, P06, P10 to P17, P30, P31, P50 to P57, P60 to P67, P70 to P77, P80 to P87, P90 to P97, P100, P101, P110 to P117, P146, P147<br>(When duty ≤ 70% <sup>Note 3</sup> )          | 4.0 V ≤ EV <sub>DD0</sub> ≤ 5.5 V |      |                        | 80.0                  | mA |
|   |   |  | 2.7 V ≤ EV <sub>DD0</sub> < 4.0 V |      |                        | 35.0                  | mA |
|   |   |  | 1.8 V ≤ EV <sub>DD0</sub> < 2.7 V |      |                        | 20.0                  | mA |
|   |   |  | 1.6 V ≤ EV <sub>DD0</sub> < 1.8 V |      |                        | 10.0                  | mA |
|   | Total of all pins<br>(When duty ≤ 70% <sup>Note 3</sup> ) |  |                                   |      | 150.0                  | mA                    |    |
|   | I <sub>OL2</sub>  | Per pin for P20 to P27, P150 to P156   |                                   |      |                        | 0.4 <sup>Note 2</sup> | mA |
| Total of all pins<br>(When duty ≤ 70% <sup>Note 3</sup> ) |   | 1.6 V ≤ V <sub>DD</sub> ≤ 5.5 V  |                                   |      | 5.0                    | mA                    |    |

- Notes**
- Value of current at which the device operation is guaranteed even if the current flows from an output pin to the EV<sub>SS0</sub>, EV<sub>SS1</sub> and V<sub>SS</sub> pin.
  - However, do not exceed the total current value.
  - Specification under conditions where the duty factor ≤ 70%.

The output current value that has changed to the duty factor > 70% the duty ratio can be calculated with the following expression (when changing the duty factor from 70% to n%).

- Total output current of pins = (I<sub>OL</sub> × 0.7)/(n × 0.01)

<Example> Where n = 80% and I<sub>OL</sub> = 10.0 mA

$$\text{Total output current of pins} = (10.0 \times 0.7)/(80 \times 0.01) \cong 8.7 \text{ mA}$$

However, the current that is allowed to flow into one pin does not vary depending on the duty factor. A current higher than the absolute maximum rating must not flow into one pin.

**Remark** Unless specified otherwise, the characteristics of alternate-function pins are the same as those of the port pins.



( $T_A = -40$  to  $+85^\circ\text{C}$ ,  $1.6\text{ V} \leq \text{EV}_{\text{DD}0} = \text{EV}_{\text{DD}1} \leq \text{V}_{\text{DD}} \leq 5.5\text{ V}$ ,  $\text{V}_{\text{SS}} = \text{EV}_{\text{SS}0} = \text{EV}_{\text{SS}1} = 0\text{ V}$ ) (3/5)

| Items               | Symbol                                   | Conditions   | MIN.   | TYP.                        | MAX.                      | Unit                        |   |
|---------------------|--|--|--|-----------------------------|---------------------------|-----------------------------|---|
| Input voltage, high | $V_{\text{IH}1}$                         | P00 to P07, P10 to P17, P30 to P37, P40 to P47, P50 to P57, P64 to P67, P70 to P77, P80 to P87, P90 to P97, P100 to P106, P110 to P117, P120, P125 to P127, P140 to P147 | Normal input buffer  | $0.8\text{EV}_{\text{DD}0}$ |                           | $\text{EV}_{\text{DD}0}$    | V |
|                     | $V_{\text{IH}2}$                         | P01, P03, P04, P10, P11, P13 to P17, P43, P44, P53 to P55, P80, P81, P142, P143  | TTL input buffer<br>$4.0\text{ V} \leq \text{EV}_{\text{DD}0} \leq 5.5\text{ V}$ | 2.2                         |                           | $\text{EV}_{\text{DD}0}$    | V |
|                     |  |  | TTL input buffer<br>$3.3\text{ V} \leq \text{EV}_{\text{DD}0} < 4.0\text{ V}$    | 2.0                         |                           | $\text{EV}_{\text{DD}0}$    | V |
|                     |  |  | TTL input buffer<br>$1.6\text{ V} \leq \text{EV}_{\text{DD}0} < 3.3\text{ V}$    | 1.5                         |                           | $\text{EV}_{\text{DD}0}$    | V |
|                     | $V_{\text{IH}3}$                         | P20 to P27, P150 to P156   |  | $0.7\text{V}_{\text{DD}}$   |                           | $\text{V}_{\text{DD}}$      | V |
|                     | $V_{\text{IH}4}$                         | P60 to P63   |  | $0.7\text{EV}_{\text{DD}0}$ |                           | 6.0                         | V |
| $V_{\text{IH}5}$    | P121 to P124, P137, EXCLK, EXCLKS, RESET |  | $0.8\text{V}_{\text{DD}}$  |                             | $\text{V}_{\text{DD}}$    | V                           |   |
| Input voltage, low  | $V_{\text{IL}1}$                         | P00 to P07, P10 to P17, P30 to P37, P40 to P47, P50 to P57, P64 to P67, P70 to P77, P80 to P87, P90 to P97, P100 to P106, P110 to P117, P120, P125 to P127, P140 to P147 | Normal input buffer  | 0                           |                           | $0.2\text{EV}_{\text{DD}0}$ | V |
|                     | $V_{\text{IL}2}$                         | P01, P03, P04, P10, P11, P13 to P17, P43, P44, P53 to P55, P80, P81, P142, P143  | TTL input buffer<br>$4.0\text{ V} \leq \text{EV}_{\text{DD}0} \leq 5.5\text{ V}$ | 0                           |                           | 0.8                         | V |
|                     |  |  | TTL input buffer<br>$3.3\text{ V} \leq \text{EV}_{\text{DD}0} < 4.0\text{ V}$    | 0                           |                           | 0.5                         | V |
|                     |  |  | TTL input buffer<br>$1.6\text{ V} \leq \text{EV}_{\text{DD}0} < 3.3\text{ V}$    | 0                           |                           | 0.32                        | V |
|                     | $V_{\text{IL}3}$                         | P20 to P27, P150 to P156   |  | 0                           |                           | $0.3\text{V}_{\text{DD}}$   | V |
|                     | $V_{\text{IL}4}$                         | P60 to P63   |  | 0                           |                           | $0.3\text{EV}_{\text{DD}0}$ | V |
| $V_{\text{IL}5}$    | P121 to P124, P137, EXCLK, EXCLKS, RESET |  | 0  |                             | $0.2\text{V}_{\text{DD}}$ | V                           |   |

**Caution** The maximum value of  $V_{\text{IH}}$  of pins P00, P02 to P04, P10 to P15, P17, P43 to P45, P50, P52 to P55, P71, P74, P80 to P82, P96, and P142 to P144 is  $\text{EV}_{\text{DD}0}$ , even in the N-ch open-drain mode.

**Remark** Unless specified otherwise, the characteristics of alternate-function pins are the same as those of the port pins.

( $T_A = -40$  to  $+85^\circ\text{C}$ ,  $1.6\text{ V} \leq EV_{DD0} = EV_{DD1} \leq V_{DD} \leq 5.5\text{ V}$ ,  $V_{SS} = EV_{SS0} = EV_{SS1} = 0\text{ V}$ ) (4/5)

| Items  | Symbol    | Conditions   | MIN.  | TYP.   | MAX. | Unit |   |
|--|-----------|--|---|--|------|------|---|
| Output voltage, high   | $V_{OH1}$ | P00 to P07, P10 to P17, P30 to P37, P40 to P47, P50 to P57, P64 to P67, P70 to P77, P80 to P87, P90 to P97, P100 to P106, P110 to P117, P120, P125 to P127, P130, P140 to P147 | $4.0\text{ V} \leq EV_{DD0} \leq 5.5\text{ V}$ ,<br>$I_{OH1} = -10.0\text{ mA}$       | $EV_{DD0} - 1.5$   |      | V    |   |
|  |           |  | $4.0\text{ V} \leq EV_{DD0} \leq 5.5\text{ V}$ ,<br>$I_{OH1} = -3.0\text{ mA}$        | $EV_{DD0} - 0.7$   |      | V    |   |
|  |           |  | $2.7\text{ V} \leq EV_{DD0} \leq 5.5\text{ V}$ ,<br>$I_{OH1} = -2.0\text{ mA}$        | $EV_{DD0} - 0.6$   |      | V    |   |
|  |           |  | $1.8\text{ V} \leq EV_{DD0} \leq 5.5\text{ V}$ ,<br>$I_{OH1} = -1.5\text{ mA}$        | $EV_{DD0} - 0.5$   |      | V    |   |
|  |           |  | $1.6\text{ V} \leq EV_{DD0} < 5.5\text{ V}$ ,<br>$I_{OH1} = -1.0\text{ mA}$           | $EV_{DD0} - 0.5$   |      | V    |   |
|  | $V_{OH2}$ | P20 to P27, P150 to P156   | $1.6\text{ V} \leq V_{DD} \leq 5.5\text{ V}$ ,<br>$I_{OH2} = -100\text{ }\mu\text{A}$ | $V_{DD} - 0.5$   |      | V    |   |
| Output voltage, low  | $V_{OL1}$ | P00 to P07, P10 to P17, P30 to P37, P40 to P47, P50 to P57, P64 to P67, P70 to P77, P80 to P87, P90 to P97, P100 to P106, P110 to P117, P120, P125 to P127, P130, P140 to P147 | $4.0\text{ V} \leq EV_{DD0} \leq 5.5\text{ V}$ ,<br>$I_{OL1} = 20\text{ mA}$          |  | 1.3  | V    |   |
|  |           |  | $4.0\text{ V} \leq EV_{DD0} \leq 5.5\text{ V}$ ,<br>$I_{OL1} = 8.5\text{ mA}$         |  | 0.7  | V    |   |
|  |           |  | $2.7\text{ V} \leq EV_{DD0} \leq 5.5\text{ V}$ ,<br>$I_{OL1} = 3.0\text{ mA}$         |  | 0.6  | V    |   |
|  |           |  | $2.7\text{ V} \leq EV_{DD0} \leq 5.5\text{ V}$ ,<br>$I_{OL1} = 1.5\text{ mA}$         |  | 0.4  | V    |   |
|  |           |  | $1.8\text{ V} \leq EV_{DD0} \leq 5.5\text{ V}$ ,<br>$I_{OL1} = 0.6\text{ mA}$         |  | 0.4  | V    |   |
|  |           |  | $1.6\text{ V} \leq EV_{DD0} < 5.5\text{ V}$ ,<br>$I_{OL1} = 0.3\text{ mA}$            |  | 0.4  | V    |   |
|  |           | $V_{OL2}$  | P20 to P27, P150 to P156  | $1.6\text{ V} \leq V_{DD} \leq 5.5\text{ V}$ ,<br>$I_{OL2} = 400\text{ }\mu\text{A}$ |      | 0.4  | V |
|  | $V_{OL3}$ | P60 to P63   | $4.0\text{ V} \leq EV_{DD0} \leq 5.5\text{ V}$ ,<br>$I_{OL3} = 15.0\text{ mA}$        |  |      | 2.0  | V |
|  |           |  | $4.0\text{ V} \leq EV_{DD0} \leq 5.5\text{ V}$ ,<br>$I_{OL3} = 5.0\text{ mA}$         |  |      | 0.4  | V |
|  |           |  | $2.7\text{ V} \leq EV_{DD0} \leq 5.5\text{ V}$ ,<br>$I_{OL3} = 3.0\text{ mA}$         |  |      | 0.4  | V |
|  |           |  | $1.8\text{ V} \leq EV_{DD0} \leq 5.5\text{ V}$ ,<br>$I_{OL3} = 2.0\text{ mA}$         |  |      | 0.4  | V |
| $1.6\text{ V} \leq EV_{DD0} < 5.5\text{ V}$ ,<br>$I_{OL3} = 1.0\text{ mA}$ |           |  |   |  | 0.4  | V    |   |

**Caution** P00, P02 to P04, P10 to P15, P17, P43 to P45, P50, P52 to P55, P71, P74, P80 to P82, P96, and P142 to P144 do not output high level in N-ch open-drain mode.

**Remark** Unless specified otherwise, the characteristics of alternate-function pins are the same as those of the port pins.

( $T_A = -40$  to  $+85^\circ\text{C}$ ,  $1.6\text{ V} \leq EV_{DD0} = EV_{DD1} \leq V_{DD} \leq 5.5\text{ V}$ ,  $V_{SS} = EV_{SS0} = EV_{SS1} = 0\text{ V}$ ) (5/5)

| Items                       | Symbol     | Conditions   | MIN.                             | TYP.                                  | MAX. | Unit          |     |                  |
|-----------------------------|------------|--|----------------------------------|---------------------------------------|------|---------------|-----|------------------|
| Input leakage current, high | $I_{LH1}$  | P00 to P07, P10 to P17, P30 to P37, P40 to P47, P50 to P57, P60 to P67, P70 to P77, P80 to P87, P90 to P97, P100 to P106, P110 to P117, P120, P125 to P127, P140 to P147 | $V_I = EV_{DD0}$                 |                                       | 1    | $\mu\text{A}$ |     |                  |
|                             | $I_{LH2}$  | P20 to P27, P137, P150 to P156, $\overline{\text{RESET}}$  | $V_I = V_{DD}$                   |                                       | 1    | $\mu\text{A}$ |     |                  |
|                             | $I_{LH3}$  | P121 to P124 (X1, X2, XT1, XT2, EXCLK, EXCLKS)   | $V_I = V_{DD}$                   | In input port or external clock input | 1    | $\mu\text{A}$ |     |                  |
|                             |            |  |                                  | In resonator connection               | 10   | $\mu\text{A}$ |     |                  |
| Input leakage current, low  | $I_{LIL1}$ | P00 to P07, P10 to P17, P30 to P37, P40 to P47, P50 to P57, P60 to P67, P70 to P77, P80 to P87, P90 to P97, P100 to P106, P110 to P117, P120, P125 to P127, P140 to P147 | $V_I = EV_{SS0}$                 |                                       | -1   | $\mu\text{A}$ |     |                  |
|                             | $I_{LIL2}$ | P20 to P27, P137, P150 to P156, $\overline{\text{RESET}}$  | $V_I = V_{SS}$                   |                                       | -1   | $\mu\text{A}$ |     |                  |
|                             | $I_{LIL3}$ | P121 to P124 (X1, X2, XT1, XT2, EXCLK, EXCLKS)   | $V_I = V_{SS}$                   | In input port or external clock input | -1   | $\mu\text{A}$ |     |                  |
|                             |            |  |                                  | In resonator connection               | -10  | $\mu\text{A}$ |     |                  |
| On-chip pll-up resistance   | $R_U$      | P00 to P07, P10 to P17, P30 to P37, P40 to P47, P50 to P57, P64 to P67, P70 to P77, P80 to P87, P90 to P97, P100 to P106, P110 to P117, P120, P125 to P127, P140 to P147 | $V_I = EV_{SS0}$ , In input port |                                       | 10   | 20            | 100 | $\text{k}\Omega$ |

**Remark** Unless specified otherwise, the characteristics of alternate-function pins are the same as those of the port pins.

## 2.3.2 Supply current characteristics

## (1) Flash ROM: 16 to 64 KB of 20- to 64-pin products

 $(T_A = -40$  to  $+85^\circ\text{C}$ ,  $1.6\text{ V} \leq V_{DD} \leq 5.5\text{ V}$ ,  $V_{SS} = EV_{SS0} = 0\text{ V}$ ) (1/2)

| Parameter  | Symbol   | Conditions                                  |   |  |                         | MIN.                    | TYP.          | MAX. | Unit |    |
|--|--|---|---|--|-------------------------|-------------------------|---------------|------|------|----|
| Supply current <sup>Note 1</sup>   | I <sub>DD1</sub>   | Operating mode                              | HS (high-speed main) mode <sup>Note 5</sup>                             | $f_{IH} = 32\text{ MHz}$ <sup>Note 3</sup> | Basic operation         | $V_{DD} = 5.0\text{ V}$ |               | 2.1  |      | mA |
|  |  |   |   |  |                         | $V_{DD} = 3.0\text{ V}$ |               | 2.1  |      | mA |
|  |  |   |   |  | Normal operation        | $V_{DD} = 5.0\text{ V}$ |               | 4.6  | 7.0  | mA |
|  |  |   |   | $V_{DD} = 3.0\text{ V}$                    |                         |                         | 4.6           | 7.0  | mA   |    |
|  |  |   |   | $f_{IH} = 24\text{ MHz}$ <sup>Note 3</sup> | Normal operation        | $V_{DD} = 5.0\text{ V}$ |               | 3.7  | 5.5  | mA |
|  |  |   |   |  |                         | $V_{DD} = 3.0\text{ V}$ |               | 3.7  | 5.5  | mA |
|  |  |   | $f_{IH} = 16\text{ MHz}$ <sup>Note 3</sup>                              | Normal operation                           | $V_{DD} = 5.0\text{ V}$ |                         | 2.7           | 4.0  | mA   |    |
|  |  |   |   |  | $V_{DD} = 3.0\text{ V}$ |                         | 2.7           | 4.0  | mA   |    |
|  |  |   | LS (low-speed main) mode <sup>Note 5</sup>                              | $f_{IH} = 8\text{ MHz}$ <sup>Note 3</sup>  | Normal operation        | $V_{DD} = 3.0\text{ V}$ |               | 1.2  | 1.8  | mA |
|  |  |   |   |  |                         | $V_{DD} = 2.0\text{ V}$ |               | 1.2  | 1.8  | mA |
|  |  |   | LV (low-voltage main) mode <sup>Note 5</sup>                            | $f_{IH} = 4\text{ MHz}$ <sup>Note 3</sup>  | Normal operation        | $V_{DD} = 3.0\text{ V}$ |               | 1.2  | 1.7  | mA |
|  |  |   |   |  |                         | $V_{DD} = 2.0\text{ V}$ |               | 1.2  | 1.7  | mA |
|  |  | HS (high-speed main) mode <sup>Note 5</sup> | $f_{MX} = 20\text{ MHz}$ <sup>Note 2</sup> ,<br>$V_{DD} = 5.0\text{ V}$ | Normal operation                           | Square wave input       |                         | 3.0           | 4.6  | mA   |    |
|  |  |   |   |  | Resonator connection    |                         | 3.2           | 4.8  | mA   |    |
|  |  |   |   | Normal operation                           | Square wave input       |                         | 3.0           | 4.6  | mA   |    |
|  |  |   |   |  | Resonator connection    |                         | 3.2           | 4.8  | mA   |    |
|  |  |   | $f_{MX} = 10\text{ MHz}$ <sup>Note 2</sup> ,<br>$V_{DD} = 5.0\text{ V}$ | Normal operation                           | Square wave input       |                         | 1.9           | 2.7  | mA   |    |
|  |  |   |   |  | Resonator connection    |                         | 1.9           | 2.7  | mA   |    |
|  |  |   | $f_{MX} = 10\text{ MHz}$ <sup>Note 2</sup> ,<br>$V_{DD} = 3.0\text{ V}$ | Normal operation                           | Square wave input       |                         | 1.9           | 2.7  | mA   |    |
|  |  |   |   |  | Resonator connection    |                         | 1.9           | 2.7  | mA   |    |
|  |  | LS (low-speed main) mode <sup>Note 5</sup>  | $f_{MX} = 8\text{ MHz}$ <sup>Note 2</sup> ,<br>$V_{DD} = 3.0\text{ V}$  | Normal operation                           | Square wave input       |                         | 1.1           | 1.7  | mA   |    |
|  |  |   |   |  | Resonator connection    |                         | 1.1           | 1.7  | mA   |    |
|  |  |   | $f_{MX} = 8\text{ MHz}$ <sup>Note 2</sup> ,<br>$V_{DD} = 2.0\text{ V}$  | Normal operation                           | Square wave input       |                         | 1.1           | 1.7  | mA   |    |
|  |  |   |   |  | Resonator connection    |                         | 1.1           | 1.7  | mA   |    |
| Subsystem clock operation  | $f_{SUB} = 32.768\text{ kHz}$ <sup>Note 4</sup><br>$T_A = -40^\circ\text{C}$ | Normal operation                            | Square wave input   |  | 4.1                     | 4.9                     | $\mu\text{A}$ |      |      |    |
|  |  |   | Resonator connection  |  | 4.2                     | 5.0                     | $\mu\text{A}$ |      |      |    |
|  | $f_{SUB} = 32.768\text{ kHz}$ <sup>Note 4</sup><br>$T_A = +25^\circ\text{C}$ | Normal operation                            | Square wave input   |  | 4.1                     | 4.9                     | $\mu\text{A}$ |      |      |    |
|  |  |   | Resonator connection  |  | 4.2                     | 5.0                     | $\mu\text{A}$ |      |      |    |
|  | $f_{SUB} = 32.768\text{ kHz}$ <sup>Note 4</sup><br>$T_A = +50^\circ\text{C}$ | Normal operation                            | Square wave input   |  | 4.2                     | 5.5                     | $\mu\text{A}$ |      |      |    |
|  |  |   | Resonator connection  |  | 4.3                     | 5.6                     | $\mu\text{A}$ |      |      |    |
|  | $f_{SUB} = 32.768\text{ kHz}$ <sup>Note 4</sup><br>$T_A = +70^\circ\text{C}$ | Normal operation                            | Square wave input   |  | 4.3                     | 6.3                     | $\mu\text{A}$ |      |      |    |
|  |  |   | Resonator connection  |  | 4.4                     | 6.4                     | $\mu\text{A}$ |      |      |    |
| $f_{SUB} = 32.768\text{ kHz}$ <sup>Note 4</sup><br>$T_A = +85^\circ\text{C}$ | Normal operation   | Square wave input                           |   | 4.6  | 7.7                     | $\mu\text{A}$           |               |      |      |    |
|  |  | Resonator connection                        |   | 4.7  | 7.8                     | $\mu\text{A}$           |               |      |      |    |

(Notes and Remarks are listed on the next page.)

- Notes**
1. Total current flowing into  $V_{DD}$  and  $EV_{DD0}$ , including the input leakage current flowing when the level of the input pin is fixed to  $V_{DD}$ ,  $EV_{DD0}$  or  $V_{SS}$ ,  $EV_{SS0}$ . The values below the MAX. column include the peripheral operation current. However, not including the current flowing into the A/D converter, LVD circuit, I/O port, and on-chip pull-up/pull-down resistors and the current flowing during data flash rewrite.
  2. When high-speed on-chip oscillator and subsystem clock are stopped.
  3. When high-speed system clock and subsystem clock are stopped.
  4. When high-speed on-chip oscillator and high-speed system clock are stopped. When  $AMPHS1 = 1$  (Ultra-low power consumption oscillation). However, not including the current flowing into the RTC, 12-bit interval timer, and watchdog timer.
  5. Relationship between operation voltage width, operation frequency of CPU and operation mode is as below.
    - HS (high-speed main) mode:  $2.7\text{ V} \leq V_{DD} \leq 5.5\text{ V}@1\text{ MHz to }32\text{ MHz}$   
 $2.4\text{ V} \leq V_{DD} \leq 5.5\text{ V}@1\text{ MHz to }16\text{ MHz}$
    - LS (low-speed main) mode:  $1.8\text{ V} \leq V_{DD} \leq 5.5\text{ V}@1\text{ MHz to }8\text{ MHz}$
    - LV (low-voltage main) mode:  $1.6\text{ V} \leq V_{DD} \leq 5.5\text{ V}@1\text{ MHz to }4\text{ MHz}$

- Remarks**
1.  $f_{MX}$ : High-speed system clock frequency (X1 clock oscillation frequency or external main system clock frequency)
  2.  $f_{IH}$ : High-speed on-chip oscillator clock frequency
  3.  $f_{SUB}$ : Subsystem clock frequency (XT1 clock oscillation frequency)
  4. Except subsystem clock operation, temperature condition of the TYP. value is  $T_A = 25^\circ\text{C}$

(1) Flash ROM: 16 to 64 KB of 20- to 64-pin products

(T<sub>A</sub> = -40 to +85°C, 1.6 V ≤ EV<sub>DD0</sub> ≤ V<sub>DD</sub> ≤ 5.5 V, V<sub>SS</sub> = EV<sub>SS0</sub> = 0 V) (2/2)

| Parameter  | Symbol                     | Conditions             |                                      | MIN.   | TYP.                    | MAX. | Unit |      |    |
|--|----------------------------|------------------------|--------------------------------------|--|-------------------------|------|------|------|----|
| Supply current<br>Note 1   | I <sub>DD2</sub><br>Note 2 | HALT mode              | HS (high-speed main) mode<br>Note 7  | f <sub>IH</sub> = 32 MHz<br>Note 4                                 | V <sub>DD</sub> = 5.0 V |      | 0.54 | 1.63 | mA |
|  |                            |                        |                                      |  | V <sub>DD</sub> = 3.0 V |      | 0.54 | 1.63 | mA |
|  |                            |                        |                                      | f <sub>IH</sub> = 24 MHz<br>Note 4                                 | V <sub>DD</sub> = 5.0 V |      | 0.44 | 1.28 | mA |
|  |                            |                        |                                      |  | V <sub>DD</sub> = 3.0 V |      | 0.44 | 1.28 | mA |
|  |                            |                        |                                      | f <sub>IH</sub> = 16 MHz<br>Note 4                                 | V <sub>DD</sub> = 5.0 V |      | 0.40 | 1.00 | mA |
|  |                            |                        |                                      |  | V <sub>DD</sub> = 3.0 V |      | 0.40 | 1.00 | mA |
|  |                            |                        | LS (low-speed main) mode<br>Note 7   | f <sub>IH</sub> = 8 MHz<br>Note 4                                  | V <sub>DD</sub> = 3.0 V |      | 260  | 530  | μA |
|  |                            |                        |                                      |  | V <sub>DD</sub> = 2.0 V |      | 260  | 530  | μA |
|  |                            |                        | LV (low-voltage main) mode<br>Note 7 | f <sub>IH</sub> = 4 MHz<br>Note 4                                  | V <sub>DD</sub> = 3.0 V |      | 420  | 640  | μA |
|  |                            |                        |                                      |  | V <sub>DD</sub> = 2.0 V |      | 420  | 640  | μA |
|  |                            |                        | HS (high-speed main) mode<br>Note 7  | f <sub>MX</sub> = 20 MHz<br>Note 3,<br>V <sub>DD</sub> = 5.0 V     | Square wave input       |      | 0.28 | 1.00 | mA |
|  |                            |                        |                                      |  | Resonator connection    |      | 0.45 | 1.17 | mA |
|  |                            |                        |                                      | f <sub>MX</sub> = 20 MHz<br>Note 3,<br>V <sub>DD</sub> = 3.0 V     | Square wave input       |      | 0.28 | 1.00 | mA |
|  |                            |                        |                                      |  | Resonator connection    |      | 0.45 | 1.17 | mA |
|  |                            |                        |                                      | f <sub>MX</sub> = 10 MHz<br>Note 3,<br>V <sub>DD</sub> = 5.0 V     | Square wave input       |      | 0.19 | 0.60 | mA |
|  |                            |                        |                                      |  | Resonator connection    |      | 0.26 | 0.67 | mA |
|  |                            |                        |                                      | f <sub>MX</sub> = 10 MHz<br>Note 3,<br>V <sub>DD</sub> = 3.0 V     | Square wave input       |      | 0.19 | 0.60 | mA |
|  |                            |                        |                                      |  | Resonator connection    |      | 0.26 | 0.67 | mA |
|  |                            |                        | LS (low-speed main) mode<br>Note 7   | f <sub>MX</sub> = 8 MHz<br>Note 3,<br>V <sub>DD</sub> = 3.0 V      | Square wave input       |      | 95   | 330  | μA |
|  |                            |                        |                                      |  | Resonator connection    |      | 145  | 380  | μA |
|  |                            |                        |                                      | f <sub>MX</sub> = 8 MHz<br>Note 3,<br>V <sub>DD</sub> = 2.0 V      | Square wave input       |      | 95   | 330  | μA |
|  |                            |                        |                                      |  | Resonator connection    |      | 145  | 380  | μA |
|  |                            |                        | Subsystem clock operation            | f <sub>SUB</sub> = 32.768 kHz<br>Note 5,<br>T <sub>A</sub> = -40°C | Square wave input       |      | 0.25 | 0.57 | μA |
|  |                            |                        |                                      |  | Resonator connection    |      | 0.44 | 0.76 | μA |
|  |                            |                        |                                      | f <sub>SUB</sub> = 32.768 kHz<br>Note 5,<br>T <sub>A</sub> = +25°C | Square wave input       |      | 0.30 | 0.57 | μA |
|  |                            |                        |                                      |  | Resonator connection    |      | 0.49 | 0.76 | μA |
|  |                            |                        |                                      | f <sub>SUB</sub> = 32.768 kHz<br>Note 5,<br>T <sub>A</sub> = +50°C | Square wave input       |      | 0.37 | 1.17 | μA |
|  |                            |                        |                                      |  | Resonator connection    |      | 0.56 | 1.36 | μA |
|  |                            |                        |                                      | f <sub>SUB</sub> = 32.768 kHz<br>Note 5,<br>T <sub>A</sub> = +70°C | Square wave input       |      | 0.53 | 1.97 | μA |
|  |                            |                        |                                      |  | Resonator connection    |      | 0.72 | 2.16 | μA |
| f <sub>SUB</sub> = 32.768 kHz<br>Note 5,<br>T <sub>A</sub> = +85°C | Square wave input          |                        | 0.82                                 | 3.37   | μA                      |      |      |      |    |
|  | Resonator connection       |                        | 1.01                                 | 3.56   | μA                      |      |      |      |    |
| I <sub>DD3</sub><br>Note 6   | STOP mode<br>Note 8        | T <sub>A</sub> = -40°C |                                      |  | 0.18                    | 0.50 | μA   |      |    |
|  |                            | T <sub>A</sub> = +25°C |                                      |  | 0.23                    | 0.50 | μA   |      |    |
|  |                            | T <sub>A</sub> = +50°C |                                      |  | 0.30                    | 1.10 | μA   |      |    |
|  |                            | T <sub>A</sub> = +70°C |                                      |  | 0.46                    | 1.90 | μA   |      |    |
|  |                            | T <sub>A</sub> = +85°C |                                      |  | 0.75                    | 3.30 | μA   |      |    |

(Notes and Remarks are listed on the next page.)

- Notes**
1. Total current flowing into  $V_{DD}$  and  $EV_{DD0}$ , including the input leakage current flowing when the level of the input pin is fixed to  $V_{DD}$ ,  $EV_{DD0}$  or  $V_{SS}$ ,  $EV_{SS0}$ . The values below the MAX. column include the peripheral operation current. However, not including the current flowing into the A/D converter, LVD circuit, I/O port, and on-chip pull-up/pull-down resistors and the current flowing during data flash rewrite.
  2. During HALT instruction execution by flash memory.
  3. When high-speed on-chip oscillator and subsystem clock are stopped.
  4. When high-speed system clock and subsystem clock are stopped.
  5. When high-speed on-chip oscillator and high-speed system clock are stopped. When  $RTCLPC = 1$  and setting ultra-low current consumption ( $AMPHS1 = 1$ ). The current flowing into the RTC is included. However, not including the current flowing into the 12-bit interval timer and watchdog timer.
  6. Not including the current flowing into the RTC, 12-bit interval timer, and watchdog timer.
  7. Relationship between operation voltage width, operation frequency of CPU and operation mode is as below.
    - HS (high-speed main) mode:  $2.7\text{ V} \leq V_{DD} \leq 5.5\text{ V}@1\text{ MHz to }32\text{ MHz}$   
 $2.4\text{ V} \leq V_{DD} \leq 5.5\text{ V}@1\text{ MHz to }16\text{ MHz}$
    - LS (low-speed main) mode:  $1.8\text{ V} \leq V_{DD} \leq 5.5\text{ V}@1\text{ MHz to }8\text{ MHz}$
    - LV (low-voltage main) mode:  $1.6\text{ V} \leq V_{DD} \leq 5.5\text{ V}@1\text{ MHz to }4\text{ MHz}$
  8. Regarding the value for current to operate the subsystem clock in STOP mode, refer to that in HALT mode.

- Remarks**
1.  $f_{MX}$ : High-speed system clock frequency (X1 clock oscillation frequency or external main system clock frequency)
  2.  $f_{IH}$ : High-speed on-chip oscillator clock frequency
  3.  $f_{SUB}$ : Subsystem clock frequency (XT1 clock oscillation frequency)
  4. Except subsystem clock operation and STOP mode, temperature condition of the TYP. value is  $T_A = 25^\circ\text{C}$

## (2) Flash ROM: 96 to 256 KB of 30- to 100-pin products

 $(T_A = -40$  to  $+85^\circ\text{C}$ ,  $1.6\text{ V} \leq EV_{DD0} = EV_{DD1} \leq V_{DD} \leq 5.5\text{ V}$ ,  $V_{SS} = EV_{SS0} = EV_{SS1} = 0\text{ V}$ ) (1/2)

| Parameter   | Symbol           | Conditions  |   |   |                         | MIN.                    | TYP.          | MAX. | Unit          |    |
|---|------------------|---|---|---|-------------------------|-------------------------|---------------|------|---------------|----|
| Supply current<br>Note 1  | I <sub>DD1</sub> | Operating mode  | HS (high-speed main) mode<br>Note 5                               | $f_{IH} = 32\text{ MHz}$ Note 3                             | Basic operation         | $V_{DD} = 5.0\text{ V}$ |               | 2.3  |               | mA |
|   |                  |   |   |   |                         | $V_{DD} = 3.0\text{ V}$ |               | 2.3  |               | mA |
|   |                  |   |   | Normal operation  | $V_{DD} = 5.0\text{ V}$ |                         | 5.2           | 8.5  | mA            |    |
|   |                  |   |   |   | $V_{DD} = 3.0\text{ V}$ |                         | 5.2           | 8.5  | mA            |    |
|   |                  |   |   | $f_{IH} = 24\text{ MHz}$ Note 3                             | Normal operation        | $V_{DD} = 5.0\text{ V}$ |               | 4.1  | 6.6           | mA |
|   |                  |   |   |   |                         | $V_{DD} = 3.0\text{ V}$ |               | 4.1  | 6.6           | mA |
|   |                  |   | $f_{IH} = 16\text{ MHz}$ Note 3                                   | Normal operation  | $V_{DD} = 5.0\text{ V}$ |                         | 3.0           | 4.7  | mA            |    |
|   |                  |   |   |   | $V_{DD} = 3.0\text{ V}$ |                         | 3.0           | 4.7  | mA            |    |
|   |                  |   | LS (low-speed main) mode<br>Note 5                                | $f_{IH} = 8\text{ MHz}$ Note 3                              | Normal operation        | $V_{DD} = 3.0\text{ V}$ |               | 1.3  | 2.1           | mA |
|   |                  |   |   |   |                         | $V_{DD} = 2.0\text{ V}$ |               | 1.3  | 2.1           | mA |
|   |                  |   | LV (low-voltage main) mode<br>Note 5                              | $f_{IH} = 4\text{ MHz}$ Note 3                              | Normal operation        | $V_{DD} = 3.0\text{ V}$ |               | 1.3  | 1.8           | mA |
|   |                  |   |   |   |                         | $V_{DD} = 2.0\text{ V}$ |               | 1.3  | 1.8           | mA |
|   |                  |   | HS (high-speed main) mode<br>Note 5                               | $f_{MX} = 20\text{ MHz}$ Note 2,<br>$V_{DD} = 5.0\text{ V}$ | Normal operation        | Square wave input       |               | 3.4  | 5.5           | mA |
|   |                  |   |   |   |                         | Resonator connection    |               | 3.6  | 5.7           | mA |
|   |                  |   |   | $f_{MX} = 20\text{ MHz}$ Note 2,<br>$V_{DD} = 3.0\text{ V}$ | Normal operation        | Square wave input       |               | 3.4  | 5.5           | mA |
|   |                  |   |   |   |                         | Resonator connection    |               | 3.6  | 5.7           | mA |
|   |                  |   |   | $f_{MX} = 10\text{ MHz}$ Note 2,<br>$V_{DD} = 5.0\text{ V}$ | Normal operation        | Square wave input       |               | 2.1  | 3.2           | mA |
|   |                  |   |   |   |                         | Resonator connection    |               | 2.1  | 3.2           | mA |
|   |                  | $f_{MX} = 10\text{ MHz}$ Note 2,<br>$V_{DD} = 3.0\text{ V}$ |   | Normal operation  | Square wave input       |                         | 2.1           | 3.2  | mA            |    |
|   |                  |   |   |   | Resonator connection    |                         | 2.1           | 3.2  | mA            |    |
|   |                  | LS (low-speed main) mode<br>Note 5                          | $f_{MX} = 8\text{ MHz}$ Note 2,<br>$V_{DD} = 3.0\text{ V}$        | Normal operation  | Square wave input       |                         | 1.2           | 2.0  | mA            |    |
|   |                  |   |   |   | Resonator connection    |                         | 1.2           | 2.0  | mA            |    |
|   |                  |   | $f_{MX} = 8\text{ MHz}$ Note 2,<br>$V_{DD} = 2.0\text{ V}$        | Normal operation  | Square wave input       |                         | 1.2           | 2.0  | mA            |    |
|   |                  |   |   |   | Resonator connection    |                         | 1.2           | 2.0  | mA            |    |
|   |                  | Subsystem clock operation                                   | $f_{SUB} = 32.768\text{ kHz}$ Note 4<br>$T_A = -40^\circ\text{C}$ | Normal operation  | Square wave input       |                         | 4.8           | 5.9  | $\mu\text{A}$ |    |
|   |                  |   |   |   | Resonator connection    |                         | 4.9           | 6.0  | $\mu\text{A}$ |    |
|   |                  |   | $f_{SUB} = 32.768\text{ kHz}$ Note 4<br>$T_A = +25^\circ\text{C}$ | Normal operation  | Square wave input       |                         | 4.9           | 5.9  | $\mu\text{A}$ |    |
|   |                  |   |   |   | Resonator connection    |                         | 5.0           | 6.0  | $\mu\text{A}$ |    |
| $f_{SUB} = 32.768\text{ kHz}$ Note 4<br>$T_A = +50^\circ\text{C}$ | Normal operation |   | Square wave input   |   | 5.0                     | 7.6                     | $\mu\text{A}$ |      |               |    |
|   |                  |   | Resonator connection  |   | 5.1                     | 7.7                     | $\mu\text{A}$ |      |               |    |
| $f_{SUB} = 32.768\text{ kHz}$ Note 4<br>$T_A = +70^\circ\text{C}$ | Normal operation |   | Square wave input   |   | 5.2                     | 9.3                     | $\mu\text{A}$ |      |               |    |
|   |                  |   | Resonator connection  |   | 5.3                     | 9.4                     | $\mu\text{A}$ |      |               |    |
| $f_{SUB} = 32.768\text{ kHz}$ Note 4<br>$T_A = +85^\circ\text{C}$ | Normal operation |   | Square wave input   |   | 5.7                     | 13.3                    | $\mu\text{A}$ |      |               |    |
|   |                  |   | Resonator connection  |   | 5.8                     | 13.4                    | $\mu\text{A}$ |      |               |    |

(Notes and Remarks are listed on the next page.)



- Notes**
1. Total current flowing into  $V_{DD}$ ,  $EV_{DD0}$ , and  $EV_{DD1}$ , including the input leakage current flowing when the level of the input pin is fixed to  $V_{DD}$ ,  $EV_{DD0}$ , and  $EV_{DD1}$ , or  $V_{SS}$ ,  $EV_{SS0}$ , and  $EV_{SS1}$ . The values below the MAX. column include the peripheral operation current. However, not including the current flowing into the A/D converter, LVD circuit, I/O port, and on-chip pull-up/pull-down resistors and the current flowing during data flash rewrite.
  2. When high-speed on-chip oscillator and subsystem clock are stopped.
  3. When high-speed system clock and subsystem clock are stopped.
  4. When high-speed on-chip oscillator and high-speed system clock are stopped. When  $AMPHS1 = 1$  (Ultra-low power consumption oscillation). However, not including the current flowing into the 12-bit interval timer and watchdog timer.
  5. Relationship between operation voltage width, operation frequency of CPU and operation mode is as below.
    - HS (high-speed main) mode:  $2.7\text{ V} \leq V_{DD} \leq 5.5\text{ V}@1\text{ MHz to }32\text{ MHz}$   
 $2.4\text{ V} \leq V_{DD} \leq 5.5\text{ V}@1\text{ MHz to }16\text{ MHz}$
    - LS (low-speed main) mode:  $1.8\text{ V} \leq V_{DD} \leq 5.5\text{ V}@1\text{ MHz to }8\text{ MHz}$
    - LV (low-voltage main) mode:  $1.6\text{ V} \leq V_{DD} \leq 5.5\text{ V}@1\text{ MHz to }4\text{ MHz}$

- Remarks**
1.  $f_{MX}$ : High-speed system clock frequency (X1 clock oscillation frequency or external main system clock frequency)
  2.  $f_{IH}$ : High-speed on-chip oscillator clock frequency
  3.  $f_{SUB}$ : Subsystem clock frequency (XT1 clock oscillation frequency)
  4. Except subsystem clock operation, temperature condition of the TYP. value is  $T_A = 25^\circ\text{C}$

**(2) Flash ROM: 96 to 256 KB of 30- to 100-pin products**

**(T<sub>A</sub> = -40 to +85°C, 1.6 V ≤ EV<sub>DD0</sub> = EV<sub>DD1</sub> ≤ V<sub>DD</sub> ≤ 5.5 V, V<sub>SS</sub> = EV<sub>SS0</sub> = EV<sub>SS1</sub> = 0 V) (2/2)**

| Parameter                  | Symbol  | Conditions   |   | MIN.   | TYP.   | MAX.                 | Unit |      |      |    |
|----------------------------|---|--|---|--|--|----------------------|------|------|------|----|
| Supply current<br>Note 1   | I <sub>DD2</sub><br>Note 2  | HALT mode  | HS (high-speed main) mode<br>Note 7                               | f <sub>IH</sub> = 32 MHz<br>Note 4                             | V <sub>DD</sub> = 5.0 V  |                      | 0.62 | 1.86 | mA   |    |
|                            |   |  |   |  | V <sub>DD</sub> = 3.0 V  |                      | 0.62 | 1.86 | mA   |    |
|                            |   |  |   | f <sub>IH</sub> = 24 MHz<br>Note 4                             | V <sub>DD</sub> = 5.0 V  |                      | 0.50 | 1.45 | mA   |    |
|                            |   |  |   |  | V <sub>DD</sub> = 3.0 V  |                      | 0.50 | 1.45 | mA   |    |
|                            |   |  | f <sub>IH</sub> = 16 MHz<br>Note 4                                | V <sub>DD</sub> = 5.0 V  |  | 0.44                 | 1.11 | mA   |      |    |
|                            |   |  |   | V <sub>DD</sub> = 3.0 V  |  | 0.44                 | 1.11 | mA   |      |    |
|                            |   |  | LS (low-speed main) mode<br>Note 7                                | f <sub>IH</sub> = 8 MHz<br>Note 4                              | V <sub>DD</sub> = 3.0 V  |                      | 290  | 620  | μA   |    |
|                            |   |  |   |  | V <sub>DD</sub> = 2.0 V  |                      | 290  | 620  | μA   |    |
|                            |   |  | LV (low-voltage main) mode<br>Note 7                              | f <sub>IH</sub> = 4 MHz<br>Note 4                              | V <sub>DD</sub> = 3.0 V  |                      | 440  | 680  | μA   |    |
|                            |   |  |   |  | V <sub>DD</sub> = 2.0 V  |                      | 440  | 680  | μA   |    |
|                            |   |  | HS (high-speed main) mode<br>Note 7                               | f <sub>MX</sub> = 20 MHz<br>Note 3,<br>V <sub>DD</sub> = 5.0 V | Square wave input  |                      | 0.31 | 1.08 | mA   |    |
|                            |   |  |   |  | Resonator connection   |                      | 0.48 | 1.28 | mA   |    |
|                            |   |  |   |  | f <sub>MX</sub> = 20 MHz<br>Note 3,<br>V <sub>DD</sub> = 3.0 V | Square wave input    |      | 0.31 | 1.08 | mA |
|                            |   |  |   |  |  | Resonator connection |      | 0.48 | 1.28 | mA |
|                            |   |  |   | f <sub>MX</sub> = 10 MHz<br>Note 3,<br>V <sub>DD</sub> = 5.0 V | Square wave input  |                      | 0.21 | 0.63 | mA   |    |
|                            |   |  |   |  | Resonator connection   |                      | 0.28 | 0.71 | mA   |    |
|                            |   | f <sub>MX</sub> = 10 MHz<br>Note 3,<br>V <sub>DD</sub> = 3.0 V |   | Square wave input  |  | 0.21                 | 0.63 | mA   |      |    |
|                            |   |  |   | Resonator connection   |  | 0.28                 | 0.71 | mA   |      |    |
|                            |   | LS (low-speed main) mode<br>Note 7                             | f <sub>MX</sub> = 8 MHz<br>Note 3,<br>V <sub>DD</sub> = 3.0 V     | Square wave input  |  | 110                  | 360  | μA   |      |    |
|                            |   |  |   | Resonator connection   |  | 160                  | 420  | μA   |      |    |
|                            |   |  | f <sub>MX</sub> = 8 MHz<br>Note 3,<br>V <sub>DD</sub> = 2.0 V     | Square wave input  |  | 110                  | 360  | μA   |      |    |
|                            |   |  |   | Resonator connection   |  | 160                  | 420  | μA   |      |    |
|                            |   | Subsystem clock operation                                      | f <sub>SUB</sub> = 32.768 kHz<br>Note 5<br>T <sub>A</sub> = -40°C | Square wave input  |  | 0.28                 | 0.61 | μA   |      |    |
|                            |   |  |   | Resonator connection   |  | 0.47                 | 0.80 | μA   |      |    |
|                            |   |  | f <sub>SUB</sub> = 32.768 kHz<br>Note 5<br>T <sub>A</sub> = +25°C | Square wave input  |  | 0.34                 | 0.61 | μA   |      |    |
|                            |   |  |   | Resonator connection   |  | 0.53                 | 0.80 | μA   |      |    |
|                            |   |  | f <sub>SUB</sub> = 32.768 kHz<br>Note 5<br>T <sub>A</sub> = +50°C | Square wave input  |  | 0.41                 | 2.30 | μA   |      |    |
|                            |   |  |   | Resonator connection   |  | 0.60                 | 2.49 | μA   |      |    |
|                            | f <sub>SUB</sub> = 32.768 kHz<br>Note 5<br>T <sub>A</sub> = +70°C |  | Square wave input   |  | 0.64   | 4.03                 | μA   |      |      |    |
|                            |   |  | Resonator connection  |  | 0.83   | 4.22                 | μA   |      |      |    |
|                            | f <sub>SUB</sub> = 32.768 kHz<br>Note 5<br>T <sub>A</sub> = +85°C | Square wave input  |   | 1.09   | 8.04   | μA                   |      |      |      |    |
|                            | Resonator connection  |  | 1.28  | 8.23   | μA   |                      |      |      |      |    |
| I <sub>DD3</sub><br>Note 6 | STOP mode<br>Note 8   | T <sub>A</sub> = -40°C   |   |  | 0.19   | 0.52                 | μA   |      |      |    |
|                            |   | T <sub>A</sub> = +25°C   |   |  | 0.25   | 0.52                 | μA   |      |      |    |
|                            |   | T <sub>A</sub> = +50°C   |   |  | 0.32   | 2.21                 | μA   |      |      |    |
|                            |   | T <sub>A</sub> = +70°C   |   |  | 0.55   | 3.94                 | μA   |      |      |    |
|                            |   | T <sub>A</sub> = +85°C   |   |  | 1.00   | 7.95                 | μA   |      |      |    |

(Notes and Remarks are listed on the next page.)

- Notes**
1. Total current flowing into  $V_{DD}$ ,  $EV_{DD0}$ , and  $EV_{DD1}$ , including the input leakage current flowing when the level of the input pin is fixed to  $V_{DD}$ ,  $EV_{DD0}$ , and  $EV_{DD1}$ , or  $V_{SS}$ ,  $EV_{SS0}$ , and  $EV_{SS1}$ . The values below the MAX. column include the peripheral operation current. However, not including the current flowing into the A/D converter, LVD circuit, I/O port, and on-chip pull-up/pull-down resistors and the current flowing during data flash rewrite.
  2. During HALT instruction execution by flash memory.
  3. When high-speed on-chip oscillator and subsystem clock are stopped.
  4. When high-speed system clock and subsystem clock are stopped.
  5. When high-speed on-chip oscillator and high-speed system clock are stopped. When  $RTCLPC = 1$  and setting ultra-low current consumption ( $AMPHS1 = 1$ ). The current flowing into the RTC is included. However, not including the current flowing into the 12-bit interval timer and watchdog timer.
  6. Not including the current flowing into the RTC, 12-bit interval timer, and watchdog timer.
  7. Relationship between operation voltage width, operation frequency of CPU and operation mode is as below.
    - HS (high-speed main) mode:  $2.7\text{ V} \leq V_{DD} \leq 5.5\text{ V}@1\text{ MHz to }32\text{ MHz}$   
 $2.4\text{ V} \leq V_{DD} \leq 5.5\text{ V}@1\text{ MHz to }16\text{ MHz}$
    - LS (low-speed main) mode:  $1.8\text{ V} \leq V_{DD} \leq 5.5\text{ V}@1\text{ MHz to }8\text{ MHz}$
    - LV (low-voltage main) mode:  $1.6\text{ V} \leq V_{DD} \leq 5.5\text{ V}@1\text{ MHz to }4\text{ MHz}$
  8. Regarding the value for current to operate the subsystem clock in STOP mode, refer to that in HALT mode.

- Remarks**
1.  $f_{MX}$ : High-speed system clock frequency (X1 clock oscillation frequency or external main system clock frequency)
  2.  $f_{IH}$ : High-speed on-chip oscillator clock frequency
  3.  $f_{SUB}$ : Subsystem clock frequency (XT1 clock oscillation frequency)
  4. Except subsystem clock operation and STOP mode, temperature condition of the TYP. value is  $T_A = 25^\circ\text{C}$

**(3) 128-pin products, and flash ROM: 384 to 512 KB of 44- to 100-pin products**

**(T<sub>A</sub> = -40 to +85°C, 1.6 V ≤ EV<sub>DD0</sub> = EV<sub>DD1</sub> ≤ V<sub>DD</sub> ≤ 5.5 V, V<sub>SS</sub> = EV<sub>SS0</sub> = EV<sub>SS1</sub> = 0 V) (1/2)**

| Parameter                        | Symbol  | Conditions                                  |   |  |                         | MIN.                    | TYP. | MAX. | Unit |
|----------------------------------|---|---|---|--|-------------------------|-------------------------|------|------|------|
| Supply current <sup>Note 1</sup> | I <sub>DD1</sub>  | Operating mode                              | HS (high-speed main) mode <sup>Note 5</sup>                             | f <sub>IH</sub> = 32 MHz <sup>Note 3</sup> | Basic operation         | V <sub>DD</sub> = 5.0 V | 2.6  |      | mA   |
|                                  |   |   |   |  |                         | V <sub>DD</sub> = 3.0 V |      | 2.6  |      |
|                                  |   |   |   |  | Normal operation        | V <sub>DD</sub> = 5.0 V | 6.1  | 9.5  | mA   |
|                                  |   |   |   | V <sub>DD</sub> = 3.0 V                    |                         | 6.1                     | 9.5  | mA   |      |
|                                  |   |   |   | f <sub>IH</sub> = 24 MHz <sup>Note 3</sup> | Normal operation        | V <sub>DD</sub> = 5.0 V | 4.8  | 7.4  | mA   |
|                                  |   |   |   |  |                         | V <sub>DD</sub> = 3.0 V | 4.8  | 7.4  | mA   |
|                                  |   |   | Normal operation  |  | V <sub>DD</sub> = 5.0 V | 3.5                     | 5.3  | mA   |      |
|                                  |   |   |   | V <sub>DD</sub> = 3.0 V                    | 3.5                     | 5.3                     | mA   |      |      |
|                                  |   |   | LS (low-speed main) mode <sup>Note 5</sup>                              | f <sub>IH</sub> = 8 MHz <sup>Note 3</sup>  | Normal operation        | V <sub>DD</sub> = 3.0 V | 1.5  | 2.3  | mA   |
|                                  |   |   |   |  |                         | V <sub>DD</sub> = 2.0 V | 1.5  | 2.3  | mA   |
|                                  |   |   | LV (low-voltage main) mode <sup>Note 5</sup>                            | f <sub>IH</sub> = 4 MHz <sup>Note 3</sup>  | Normal operation        | V <sub>DD</sub> = 3.0 V | 1.5  | 2.0  | mA   |
|                                  |   |   |   |  |                         | V <sub>DD</sub> = 2.0 V | 1.5  | 2.0  | mA   |
|                                  |   | HS (high-speed main) mode <sup>Note 5</sup> | f <sub>MX</sub> = 20 MHz <sup>Note 2</sup> ,<br>V <sub>DD</sub> = 5.0 V | Normal operation                           | Square wave input       | 3.9                     | 6.1  | mA   |      |
|                                  |   |   |   |  | Resonator connection    | 4.1                     | 6.3  | mA   |      |
|                                  |   |   |   | Normal operation                           | Square wave input       | 3.9                     | 6.1  | mA   |      |
|                                  |   |   |   |  | Resonator connection    | 4.1                     | 6.3  | mA   |      |
|                                  |   |   | f <sub>MX</sub> = 10 MHz <sup>Note 2</sup> ,<br>V <sub>DD</sub> = 3.0 V | Normal operation                           | Square wave input       | 2.5                     | 3.7  | mA   |      |
|                                  |   |   |   |  | Resonator connection    | 2.5                     | 3.7  | mA   |      |
|                                  |   |   |   | Normal operation                           | Square wave input       | 2.5                     | 3.7  | mA   |      |
|                                  |   |   |   |  | Resonator connection    | 2.5                     | 3.7  | mA   |      |
|                                  |   | LS (low-speed main) mode <sup>Note 5</sup>  | f <sub>MX</sub> = 8 MHz <sup>Note 2</sup> ,<br>V <sub>DD</sub> = 3.0 V  | Normal operation                           | Square wave input       | 1.4                     | 2.2  | mA   |      |
|                                  |   |   |   |  | Resonator connection    | 1.4                     | 2.2  | mA   |      |
|                                  |   |   | Normal operation  | Square wave input                          | 1.4                     | 2.2                     | mA   |      |      |
|                                  |   |   |   | Resonator connection                       | 1.4                     | 2.2                     | mA   |      |      |
| Subsystem clock operation        | f <sub>SUB</sub> = 32.768 kHz <sup>Note 4</sup><br>T <sub>A</sub> = -40°C | Normal operation                            | Square wave input   | 5.4  | 6.5                     | μA                      |      |      |      |
|                                  |   |   | Resonator connection  | 5.5  | 6.6                     | μA                      |      |      |      |
|                                  |   | Normal operation                            | Square wave input   | 5.5  | 6.5                     | μA                      |      |      |      |
|                                  |   |   | Resonator connection  | 5.6  | 6.6                     | μA                      |      |      |      |
|                                  |   | Normal operation                            | Square wave input   | 5.6  | 9.4                     | μA                      |      |      |      |
|                                  |   |   | Resonator connection  | 5.7  | 9.5                     | μA                      |      |      |      |
|                                  | f <sub>SUB</sub> = 32.768 kHz <sup>Note 4</sup><br>T <sub>A</sub> = +25°C | Normal operation                            | Square wave input   | 5.9  | 12.0                    | μA                      |      |      |      |
|                                  |   |   | Resonator connection  | 6.0  | 12.1                    | μA                      |      |      |      |
|                                  |   | Normal operation                            | Square wave input   | 6.6  | 16.3                    | μA                      |      |      |      |
|                                  |   |   | Resonator connection  | 6.7  | 16.4                    | μA                      |      |      |      |
|                                  |   | Normal operation                            | Square wave input   | 6.6  | 16.3                    | μA                      |      |      |      |
|                                  |   |   | Resonator connection  | 6.7  | 16.4                    | μA                      |      |      |      |

(Notes and Remarks are listed on the next page.)

- Notes**
1. Total current flowing into  $V_{DD}$ ,  $EV_{DD0}$ , and  $EV_{DD1}$ , including the input leakage current flowing when the level of the input pin is fixed to  $V_{DD}$ ,  $EV_{DD0}$ , and  $EV_{DD1}$ , or  $V_{SS}$ ,  $EV_{SS0}$ , and  $EV_{SS1}$ . The values below the MAX. column include the peripheral operation current. However, not including the current flowing into the A/D converter, LVD circuit, I/O port, and on-chip pull-up/pull-down resistors and the current flowing during data flash rewrite.
  2. When high-speed on-chip oscillator and subsystem clock are stopped.
  3. When high-speed system clock and subsystem clock are stopped.
  4. When high-speed on-chip oscillator and high-speed system clock are stopped. When  $AMPHS1 = 1$  (Ultra-low power consumption oscillation). However, not including the current flowing into the RTC, 12-bit interval timer, and watchdog timer.
  5. Relationship between operation voltage width, operation frequency of CPU and operation mode is as below.
    - HS (high-speed main) mode:  $2.7\text{ V} \leq V_{DD} \leq 5.5\text{ V}$  @1 MHz to 32 MHz
    - $2.4\text{ V} \leq V_{DD} \leq 5.5\text{ V}$  @1 MHz to 16 MHz
    - LS (low-speed main) mode:  $1.8\text{ V} \leq V_{DD} \leq 5.5\text{ V}$  @1 MHz to 8 MHz
    - LV (low-voltage main) mode:  $1.6\text{ V} \leq V_{DD} \leq 5.5\text{ V}$  @1 MHz to 4 MHz

- Remarks**
1.  $f_{MX}$ : High-speed system clock frequency (X1 clock oscillation frequency or external main system clock frequency)
  2.  $f_{IH}$ : High-speed on-chip oscillator clock frequency
  3.  $f_{SUB}$ : Subsystem clock frequency (XT1 clock oscillation frequency)
  4. Except subsystem clock operation, temperature condition of the TYP. value is  $T_A = 25^\circ\text{C}$

**(3) 128-pin products, and flash ROM: 384 to 512 KB of 44- to 100-pin products**

**(T<sub>A</sub> = -40 to +85°C, 1.6 V ≤ EV<sub>DD0</sub> = EV<sub>DD1</sub> ≤ V<sub>DD</sub> ≤ 5.5 V, V<sub>SS</sub> = EV<sub>SS0</sub> = EV<sub>SS1</sub> = 0 V) (2/2)**

| Parameter   | Symbol                     | Conditions                         |   | MIN.   | TYP.                    | MAX.  | Unit |      |    |
|---|----------------------------|------------------------------------|---|--|-------------------------|-------|------|------|----|
| Supply current<br>Note 1  | I <sub>DD2</sub><br>Note 2 | HALT mode                          | HS (high-speed main) mode<br>Note 7                               | f <sub>IH</sub> = 32 MHz<br>Note 4                             | V <sub>DD</sub> = 5.0 V |       | 0.62 | 1.89 | mA |
|   |                            |                                    |   |  | V <sub>DD</sub> = 3.0 V |       | 0.62 | 1.89 | mA |
|   |                            |                                    |   | f <sub>IH</sub> = 24 MHz<br>Note 4                             | V <sub>DD</sub> = 5.0 V |       | 0.50 | 1.48 | mA |
|   |                            |                                    |   |  | V <sub>DD</sub> = 3.0 V |       | 0.50 | 1.48 | mA |
|   |                            |                                    |   | f <sub>IH</sub> = 16 MHz<br>Note 4                             | V <sub>DD</sub> = 5.0 V |       | 0.44 | 1.12 | mA |
|   |                            |                                    |   |  | V <sub>DD</sub> = 3.0 V |       | 0.44 | 1.12 | mA |
|   |                            |                                    | LS (low-speed main) mode<br>Note 7                                | f <sub>IH</sub> = 8 MHz<br>Note 4                              | V <sub>DD</sub> = 3.0 V |       | 290  | 620  | μA |
|   |                            |                                    |   | V <sub>DD</sub> = 2.0 V  |                         | 290   | 620  | μA   |    |
|   |                            |                                    | LV (low-voltage main) mode<br>Note 7                              | f <sub>IH</sub> = 4 MHz<br>Note 4                              | V <sub>DD</sub> = 3.0 V |       | 460  | 700  | μA |
|   |                            |                                    |   |  | V <sub>DD</sub> = 2.0 V |       | 460  | 700  | μA |
|   |                            |                                    | HS (high-speed main) mode<br>Note 7                               | f <sub>MX</sub> = 20 MHz<br>Note 3,<br>V <sub>DD</sub> = 5.0 V | Square wave input       |       | 0.31 | 1.14 | mA |
|   |                            |                                    |   |  | Resonator connection    |       | 0.48 | 1.34 | mA |
|   |                            |                                    |   |  | Square wave input       |       | 0.31 | 1.14 | mA |
|   |                            |                                    |   |  | Resonator connection    |       | 0.48 | 1.34 | mA |
|   |                            |                                    |   | f <sub>MX</sub> = 10 MHz<br>Note 3,<br>V <sub>DD</sub> = 5.0 V | Square wave input       |       | 0.21 | 0.68 | mA |
|   |                            |                                    |   |  | Resonator connection    |       | 0.28 | 0.76 | mA |
|   |                            |                                    |   | f <sub>MX</sub> = 10 MHz<br>Note 3,<br>V <sub>DD</sub> = 3.0 V | Square wave input       |       | 0.21 | 0.68 | mA |
|   |                            |                                    |   |  | Resonator connection    |       | 0.28 | 0.76 | mA |
|   |                            | LS (low-speed main) mode<br>Note 7 | f <sub>MX</sub> = 8 MHz<br>Note 3,<br>V <sub>DD</sub> = 3.0 V     | Square wave input  |                         | 110   | 390  | μA   |    |
|   |                            |                                    |   | Resonator connection   |                         | 160   | 450  | μA   |    |
|   |                            |                                    | f <sub>MX</sub> = 8 MHz<br>Note 3,<br>V <sub>DD</sub> = 2.0 V     | Square wave input  |                         | 110   | 390  | μA   |    |
|   |                            |                                    |   | Resonator connection   |                         | 160   | 450  | μA   |    |
|   |                            | Subsystem clock operation          | f <sub>SUB</sub> = 32.768 kHz<br>Note 5<br>T <sub>A</sub> = -40°C | Square wave input  |                         | 0.31  | 0.66 | μA   |    |
|   |                            |                                    |   | Resonator connection   |                         | 0.50  | 0.85 | μA   |    |
|   |                            |                                    | f <sub>SUB</sub> = 32.768 kHz<br>Note 5<br>T <sub>A</sub> = +25°C | Square wave input  |                         | 0.38  | 0.66 | μA   |    |
|   |                            |                                    |   | Resonator connection   |                         | 0.57  | 0.85 | μA   |    |
|   |                            |                                    | f <sub>SUB</sub> = 32.768 kHz<br>Note 5<br>T <sub>A</sub> = +50°C | Square wave input  |                         | 0.47  | 3.49 | μA   |    |
|   |                            |                                    |   | Resonator connection   |                         | 0.66  | 3.68 | μA   |    |
|   |                            |                                    | f <sub>SUB</sub> = 32.768 kHz<br>Note 5<br>T <sub>A</sub> = +70°C | Square wave input  |                         | 0.80  | 6.10 | μA   |    |
|   |                            |                                    |   | Resonator connection   |                         | 0.99  | 6.29 | μA   |    |
| f <sub>SUB</sub> = 32.768 kHz<br>Note 5<br>T <sub>A</sub> = +85°C | Square wave input          |                                    | 1.52  | 10.46  | μA                      |       |      |      |    |
|   | Resonator connection       |                                    | 1.71  | 10.65  | μA                      |       |      |      |    |
| I <sub>DD3</sub><br>Note 6  | STOP mode<br>Note 8        | T <sub>A</sub> = -40°C             |   |  | 0.19                    | 0.54  | μA   |      |    |
|   |                            | T <sub>A</sub> = +25°C             |   |  | 0.26                    | 0.54  | μA   |      |    |
|   |                            | T <sub>A</sub> = +50°C             |   |  | 0.35                    | 3.37  | μA   |      |    |
|   |                            | T <sub>A</sub> = +70°C             |   |  | 0.68                    | 5.98  | μA   |      |    |
|   |                            | T <sub>A</sub> = +85°C             |   |  | 1.40                    | 10.34 | μA   |      |    |

(Notes and Remarks are listed on the next page.)

- Notes**
1. Total current flowing into  $V_{DD}$ ,  $EV_{DD0}$ , and  $EV_{DD1}$ , including the input leakage current flowing when the level of the input pin is fixed to  $V_{DD}$ ,  $EV_{DD0}$ , and  $EV_{DD1}$ , or  $V_{SS}$ ,  $EV_{SS0}$ , and  $EV_{SS1}$ . The values below the MAX. column include the peripheral operation current. However, not including the current flowing into the A/D converter, LVD circuit, I/O port, and on-chip pull-up/pull-down resistors and the current flowing during data flash rewrite.
  2. During HALT instruction execution by flash memory.
  3. When high-speed on-chip oscillator and subsystem clock are stopped.
  4. When high-speed system clock and subsystem clock are stopped.
  5. When high-speed on-chip oscillator and high-speed system clock are stopped. When  $RTCLPC = 1$  and setting ultra-low current consumption ( $AMPHS1 = 1$ ). The current flowing into the RTC is included. However, not including the current flowing into the 12-bit interval timer and watchdog timer.
  6. Not including the current flowing into the RTC, 12-bit interval timer, and watchdog timer.
  7. Relationship between operation voltage width, operation frequency of CPU and operation mode is as below.
    - HS (high-speed main) mode:  $2.7\text{ V} \leq V_{DD} \leq 5.5\text{ V}@1\text{ MHz to }32\text{ MHz}$   
 $2.4\text{ V} \leq V_{DD} \leq 5.5\text{ V}@1\text{ MHz to }16\text{ MHz}$
    - LS (low-speed main) mode:  $1.8\text{ V} \leq V_{DD} \leq 5.5\text{ V}@1\text{ MHz to }8\text{ MHz}$
    - LV (low-voltage main) mode:  $1.6\text{ V} \leq V_{DD} \leq 5.5\text{ V}@1\text{ MHz to }4\text{ MHz}$
  8. Regarding the value for current to operate the subsystem clock in STOP mode, refer to that in HALT mode.

- Remarks**
1.  $f_{MX}$ : High-speed system clock frequency (X1 clock oscillation frequency or external main system clock frequency)
  2.  $f_{IH}$ : High-speed on-chip oscillator clock frequency
  3.  $f_{SUB}$ : Subsystem clock frequency (XT1 clock oscillation frequency)
  4. Except subsystem clock operation and STOP mode, temperature condition of the TYP. value is  $T_A = 25^\circ\text{C}$

**(4) Peripheral Functions (Common to all products)****( $T_A = -40$  to  $+85^\circ\text{C}$ ,  $1.6\text{ V} \leq \text{EV}_{\text{DD}0} = \text{EV}_{\text{DD}1} \leq \text{V}_{\text{DD}} \leq 5.5\text{ V}$ ,  $\text{V}_{\text{SS}} = \text{EV}_{\text{SS}0} = \text{EV}_{\text{SS}1} = 0\text{ V}$ )**

| Parameter                                      | Symbol                                    | Conditions                       |  | MIN. | TYP. | MAX.  | Unit          |
|--|---|----------------------------------|--|------|------|-------|---------------|
| Low-speed on-chip oscillator operating current | $I_{\text{FIL}}$ <sup>Note 1</sup>        |                                  |  |      | 0.20 |       | $\mu\text{A}$ |
| RTC operating current                          | $I_{\text{RTC}}$ <sup>Notes 1, 2, 3</sup> |                                  |  |      | 0.02 |       | $\mu\text{A}$ |
| 12-bit interval timer operating current        | $I_{\text{IT}}$ <sup>Notes 1, 2, 4</sup>  |                                  |  |      | 0.02 |       | $\mu\text{A}$ |
| Watchdog timer operating current               | $I_{\text{WDT}}$ <sup>Notes 1, 2, 5</sup> | $f_{\text{IL}} = 15\text{ kHz}$  |  |      | 0.22 |       | $\mu\text{A}$ |
| A/D converter operating current                | $I_{\text{ADC}}$ <sup>Notes 1, 6</sup>    | When conversion at maximum speed | Normal mode, $\text{AV}_{\text{REFP}} = \text{V}_{\text{DD}} = 5.0\text{ V}$   |      | 1.3  | 1.7   | $\text{mA}$   |
|  |   |                                  | Low voltage mode, $\text{AV}_{\text{REFP}} = \text{V}_{\text{DD}} = 3.0\text{ V}$  |      | 0.5  | 0.7   | $\text{mA}$   |
| A/D converter reference voltage current        | $I_{\text{ADREF}}$ <sup>Note 1</sup>      |                                  |  |      | 75.0 |       | $\mu\text{A}$ |
| Temperature sensor operating current           | $I_{\text{TMPS}}$ <sup>Note 1</sup>       |                                  |  |      | 75.0 |       | $\mu\text{A}$ |
| LVD operating current                          | $I_{\text{LVI}}$ <sup>Notes 1, 7</sup>    |                                  |  |      | 0.08 |       | $\mu\text{A}$ |
| Self-programming operating current             | $I_{\text{FSP}}$ <sup>Notes 1, 9</sup>    |                                  |  |      | 2.50 | 12.20 | $\text{mA}$   |
| BGO operating current                          | $I_{\text{BGO}}$ <sup>Notes 1, 8</sup>    |                                  |  |      | 2.50 | 12.20 | $\text{mA}$   |
| SNOOZE operating current                       | $I_{\text{SNOZ}}$ <sup>Note 1</sup>       | ADC operation                    | The mode is performed <sup>Note 10</sup>   |      | 0.50 | 0.60  | $\text{mA}$   |
|  |   |                                  | The A/D conversion operations are performed, Low voltage mode, $\text{AV}_{\text{REFP}} = \text{V}_{\text{DD}} = 3.0\text{ V}$ |      | 1.20 | 1.44  | $\text{mA}$   |
|  |   | CSI/UART operation               |  |      | 0.70 | 0.84  | $\text{mA}$   |

**Notes 1.** Current flowing to  $\text{V}_{\text{DD}}$ .

- When high speed on-chip oscillator and high-speed system clock are stopped.
- Current flowing only to the real-time clock (RTC) (excluding the operating current of the low-speed on-chip oscillator and the XT1 oscillator). The supply current of the RL78 microcontrollers is the sum of the values of either  $I_{\text{DD}1}$  or  $I_{\text{DD}2}$ , and  $I_{\text{RTC}}$ , when the real-time clock operates in operation mode or HALT mode. When the low-speed on-chip oscillator is selected,  $I_{\text{FIL}}$  should be added.  $I_{\text{DD}2}$  subsystem clock operation includes the operational current of the real-time clock.
- Current flowing only to the 12-bit interval timer (excluding the operating current of the low-speed on-chip oscillator and the XT1 oscillator). The supply current of the RL78 microcontrollers is the sum of the values of either  $I_{\text{DD}1}$  or  $I_{\text{DD}2}$ , and  $I_{\text{IT}}$ , when the 12-bit interval timer operates in operation mode or HALT mode. When the low-speed on-chip oscillator is selected,  $I_{\text{FIL}}$  should be added.
- Current flowing only to the watchdog timer (including the operating current of the low-speed on-chip oscillator). The supply current of the RL78 microcontrollers is the sum of  $I_{\text{DD}1}$ ,  $I_{\text{DD}2}$  or  $I_{\text{DD}3}$  and  $I_{\text{WDT}}$  when the watchdog timer is in operation.
- Current flowing only to the A/D converter. The supply current of the RL78 microcontrollers is the sum of  $I_{\text{DD}1}$  or  $I_{\text{DD}2}$  and  $I_{\text{ADC}}$  when the A/D converter operates in an operation mode or the HALT mode.



- Notes**
7. Current flowing only to the LVD circuit. The supply current of the RL78 microcontrollers is the sum of  $I_{DD1}$ ,  $I_{DD2}$  or  $I_{DD3}$  and  $I_{LVD}$  when the LVD circuit is in operation.
  8. Current flowing only during data flash rewrite.
  9. Current flowing only during self programming.
  10. For shift time to the SNOOZE mode, see **18.3.3 SNOOZE mode** in the RL78/G13 User's Manual.

- Remarks**
1.  $f_{IL}$ : Low-speed on-chip oscillator clock frequency
  2.  $f_{SUB}$ : Subsystem clock frequency (XT1 clock oscillation frequency)
  3.  $f_{CLK}$ : CPU/peripheral hardware clock frequency
  4. Temperature condition of the TYP. value is  $T_A = 25^\circ\text{C}$

## 2.4 AC Characteristics

( $T_A = -40$  to  $+85^\circ\text{C}$ ,  $1.6\text{ V} \leq EV_{DD0} = EV_{DD1} \leq V_{DD} \leq 5.5\text{ V}$ ,  $V_{SS} = EV_{SS0} = EV_{SS1} = 0\text{ V}$ )

| Items  | Symbol               | Conditions                                   |  | MIN.   | TYP.          | MAX. | Unit               |               |
|--|----------------------|--|--|--|---------------|------|--------------------|---------------|
| Instruction cycle (minimum instruction execution time)             | $T_{CY}$             | Main system clock ( $f_{MAIN}$ ) operation   | HS (high-speed main) mode                      | $2.7\text{ V} \leq V_{DD} \leq 5.5\text{ V}$ | 0.03125       | 1    | $\mu\text{s}$      |               |
|  |                      |  |  | $2.4\text{ V} \leq V_{DD} < 2.7\text{ V}$    | 0.0625        | 1    | $\mu\text{s}$      |               |
|  |                      |  | LS (low-speed main) mode                       | $1.8\text{ V} \leq V_{DD} \leq 5.5\text{ V}$ | 0.125         | 1    | $\mu\text{s}$      |               |
|  |                      |  |  | $1.6\text{ V} \leq V_{DD} \leq 5.5\text{ V}$ | 0.25          | 1    | $\mu\text{s}$      |               |
|  |                      | Subsystem clock ( $f_{SUB}$ ) operation      |  | $1.8\text{ V} \leq V_{DD} \leq 5.5\text{ V}$ | 28.5          | 30.5 | 31.3               | $\mu\text{s}$ |
|  |                      | In the self programming mode                 | HS (high-speed main) mode                      | $2.7\text{ V} \leq V_{DD} \leq 5.5\text{ V}$ | 0.03125       | 1    | $\mu\text{s}$      |               |
|  |                      |  |  | $2.4\text{ V} \leq V_{DD} < 2.7\text{ V}$    | 0.0625        | 1    | $\mu\text{s}$      |               |
|  |                      |  | LS (low-speed main) mode                       | $1.8\text{ V} \leq V_{DD} \leq 5.5\text{ V}$ | 0.125         | 1    | $\mu\text{s}$      |               |
| $1.6\text{ V} \leq V_{DD} \leq 5.5\text{ V}$                       | 0.25                 |  |  | 1  | $\mu\text{s}$ |      |                    |               |
| External system clock frequency                                    | $f_{EX}$             | $2.7\text{ V} \leq V_{DD} \leq 5.5\text{ V}$ |  | 1.0  |               | 20.0 | MHz                |               |
|  |                      | $2.4\text{ V} \leq V_{DD} < 2.7\text{ V}$    |  | 1.0  |               | 16.0 | MHz                |               |
|  |                      | $1.8\text{ V} \leq V_{DD} < 2.4\text{ V}$    |  | 1.0  |               | 8.0  | MHz                |               |
|  |                      | $1.6\text{ V} \leq V_{DD} < 1.8\text{ V}$    |  | 1.0  |               | 4.0  | MHz                |               |
|  | $f_{EXS}$            |  |  | 32   |               | 35   | kHz                |               |
| External system clock input high-level width, low-level width      | $t_{EXH}, t_{EXL}$   | $2.7\text{ V} \leq V_{DD} \leq 5.5\text{ V}$ |  | 24   |               |      | ns                 |               |
|  |                      | $2.4\text{ V} \leq V_{DD} < 2.7\text{ V}$    |  | 30   |               |      | ns                 |               |
|  |                      | $1.8\text{ V} \leq V_{DD} < 2.4\text{ V}$    |  | 60   |               |      | ns                 |               |
|  |                      | $1.6\text{ V} \leq V_{DD} < 1.8\text{ V}$    |  | 120  |               |      | ns                 |               |
|  | $t_{EXHS}, t_{EXLS}$ |  |  | 13.7   |               |      | $\mu\text{s}$      |               |
| TI00 to TI07, TI10 to TI17 input high-level width, low-level width | $t_{TIH}, t_{TIL}$   |  |  | $1/f_{MCK}+10$                               |               |      | ns <sup>Note</sup> |               |
| TO00 to TO07, TO10 to TO17 output frequency                        | $f_{TO}$             | HS (high-speed main) mode                    | $4.0\text{ V} \leq EV_{DD0} \leq 5.5\text{ V}$ |  |               | 16   | MHz                |               |
|  |                      |  | $2.7\text{ V} \leq EV_{DD0} < 4.0\text{ V}$    |  |               | 8    | MHz                |               |
|  |                      |  | $1.8\text{ V} \leq EV_{DD0} < 2.7\text{ V}$    |  |               | 4    | MHz                |               |
|  |                      |  | $1.6\text{ V} \leq EV_{DD0} < 1.8\text{ V}$    |  |               | 2    | MHz                |               |
|  |                      | LS (low-speed main) mode                     | $1.8\text{ V} \leq EV_{DD0} \leq 5.5\text{ V}$ |  |               | 4    | MHz                |               |
|  |                      |  | $1.6\text{ V} \leq EV_{DD0} < 1.8\text{ V}$    |  |               | 2    | MHz                |               |
|  |                      | LV (low-voltage main) mode                   | $1.6\text{ V} \leq EV_{DD0} \leq 5.5\text{ V}$ |  |               | 2    | MHz                |               |
| PCLBUZ0, PCLBUZ1 output frequency                                  | $f_{PCL}$            | HS (high-speed main) mode                    | $4.0\text{ V} \leq EV_{DD0} \leq 5.5\text{ V}$ |  |               | 16   | MHz                |               |
|  |                      |  | $2.7\text{ V} \leq EV_{DD0} < 4.0\text{ V}$    |  |               | 8    | MHz                |               |
|  |                      |  | $1.8\text{ V} \leq EV_{DD0} < 2.7\text{ V}$    |  |               | 4    | MHz                |               |
|  |                      |  | $1.6\text{ V} \leq EV_{DD0} < 1.8\text{ V}$    |  |               | 2    | MHz                |               |
|  |                      | LS (low-speed main) mode                     | $1.8\text{ V} \leq EV_{DD0} \leq 5.5\text{ V}$ |  |               | 4    | MHz                |               |
|  |                      |  | $1.6\text{ V} \leq EV_{DD0} < 1.8\text{ V}$    |  |               | 2    | MHz                |               |
|  |                      | LV (low-voltage main) mode                   | $1.8\text{ V} \leq EV_{DD0} \leq 5.5\text{ V}$ |  |               | 4    | MHz                |               |
|  |                      | $1.6\text{ V} \leq EV_{DD0} < 1.8\text{ V}$  |  |  | 2             | MHz  |                    |               |
| Interrupt input high-level width, low-level width                  | $t_{INTH}, t_{INTL}$ | INTP0  | $1.6\text{ V} \leq V_{DD} \leq 5.5\text{ V}$   | 1  |               |      | $\mu\text{s}$      |               |
|  |                      | INTP1 to INTP11                              | $1.6\text{ V} \leq EV_{DD0} \leq 5.5\text{ V}$ | 1  |               |      | $\mu\text{s}$      |               |
| Key interrupt input low-level width                                | $t_{KR}$             | KR0 to KR7                                   | $1.8\text{ V} \leq EV_{DD0} \leq 5.5\text{ V}$ | 250  |               |      | ns                 |               |
|  |                      |  | $1.6\text{ V} \leq EV_{DD0} < 1.8\text{ V}$    | 1  |               |      | $\mu\text{s}$      |               |
| RESET low-level width  | $t_{RSL}$            |  |  | 10   |               |      | $\mu\text{s}$      |               |

(Note and Remark are listed on the next page.)

**Note** The following conditions are required for low voltage interface when E<sub>VDD0</sub> < V<sub>DD</sub>

1.8 V ≤ E<sub>VDD0</sub> < 2.7 V : MIN. 125 ns

1.6 V ≤ E<sub>VDD0</sub> < 1.8 V : MIN. 250 ns

**Remark** f<sub>MCK</sub>: Timer array unit operation clock frequency

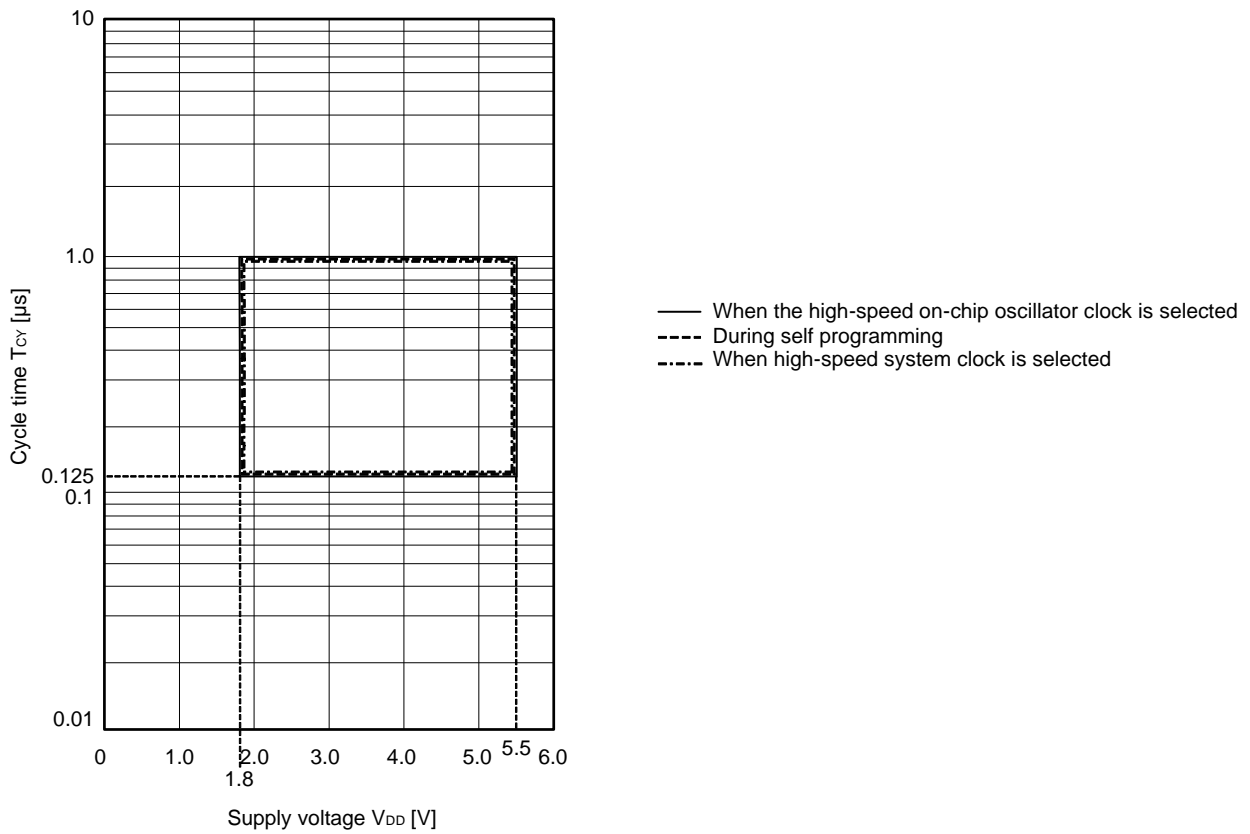
(Operation clock to be set by the CKSmn0, CKSmn1 bits of timer mode register mn (TMRmn).

m: Unit number (m = 0, 1), n: Channel number (n = 0 to 7))

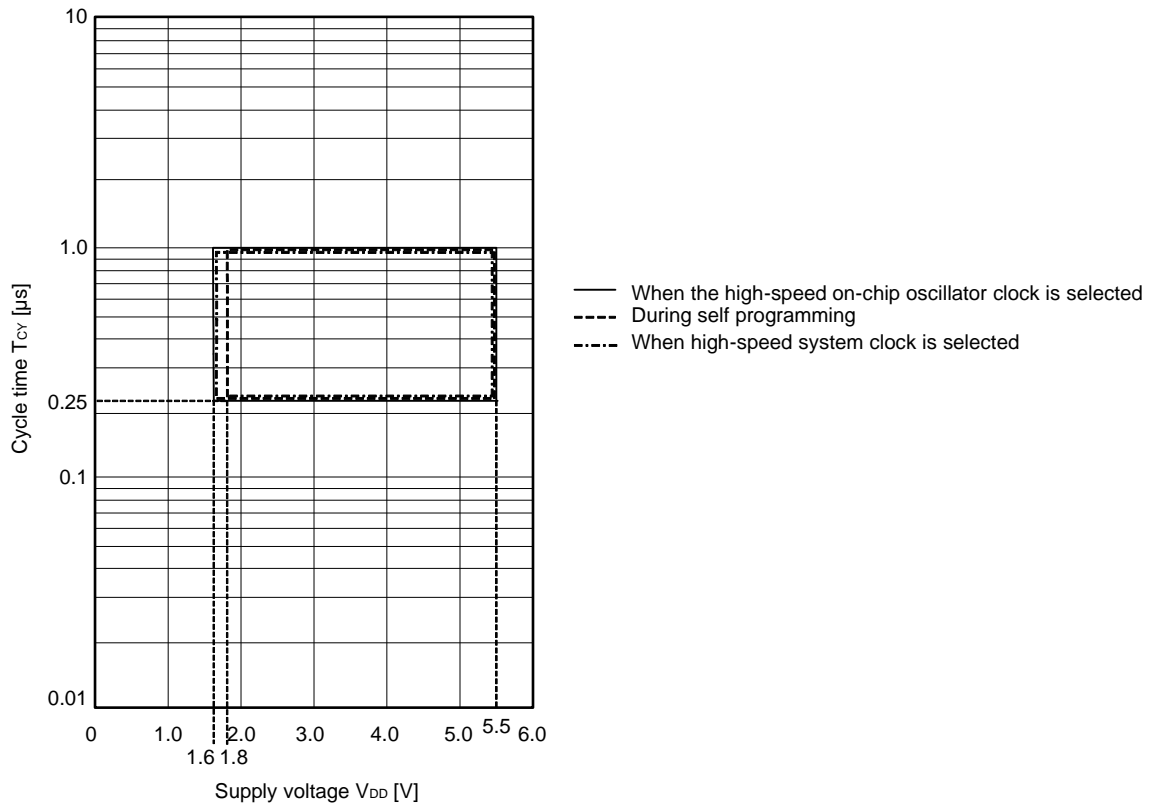
**Minimum Instruction Execution Time during Main System Clock Operation**



$T_{CY}$  vs  $V_{DD}$  (LS (low-speed main) mode)



$T_{CY}$  vs  $V_{DD}$  (LV (low-voltage main) mode)



**AC Timing Test Points**



**External System Clock Timing**



**TI/TO Timing**



**Interrupt Request Input Timing**



**Key Interrupt Input Timing**



**RESET Input Timing**



## 2.5 Peripheral Functions Characteristics

### AC Timing Test Points



#### 2.5.1 Serial array unit

##### (1) During communication at same potential (UART mode)

(T<sub>A</sub> = -40 to +85°C, 1.6 V ≤ EV<sub>DD0</sub> = EV<sub>DD1</sub> ≤ V<sub>DD</sub> ≤ 5.5 V, V<sub>SS</sub> = EV<sub>SS0</sub> = EV<sub>SS1</sub> = 0 V)

| Parameter                         | Symbol  | Conditions  | HS (high-speed main) Mode |  | LS (low-speed main) Mode |  | LV (low-voltage main) Mode |                     | Unit |
|-----------------------------------|---|---|---------------------------|--|--------------------------|--|----------------------------|---------------------|------|
|                                   |   |   | MIN.                      | MAX.                                     | MIN.                     | MAX.                                     | MIN.                       | MAX.                |      |
| Transfer rate <sup>Note 1</sup>   |   | 2.4 V ≤ EV <sub>DD0</sub> ≤ 5.5 V   |                           | f <sub>MCK</sub> /6<br><sup>Note 2</sup> |                          | f <sub>MCK</sub> /6                      |                            | f <sub>MCK</sub> /6 | bps  |
|                                   |   | Theoretical value of the maximum transfer rate<br>f <sub>MCK</sub> = f <sub>CLK</sub> <sup>Note 3</sup> |                           | 5.3                                      |                          | 1.3                                      |                            | 0.6                 | Mbps |
|                                   |   | 1.8 V ≤ EV <sub>DD0</sub> ≤ 5.5 V   |                           | f <sub>MCK</sub> /6<br><sup>Note 2</sup> |                          | f <sub>MCK</sub> /6                      |                            | f <sub>MCK</sub> /6 | bps  |
|                                   |   | Theoretical value of the maximum transfer rate<br>f <sub>MCK</sub> = f <sub>CLK</sub> <sup>Note 3</sup> |                           | 5.3                                      |                          | 1.3                                      |                            | 0.6                 | Mbps |
|                                   |   | 1.7 V ≤ EV <sub>DD0</sub> ≤ 5.5 V   |                           | f <sub>MCK</sub> /6<br><sup>Note 2</sup> |                          | f <sub>MCK</sub> /6<br><sup>Note 2</sup> |                            | f <sub>MCK</sub> /6 | bps  |
|                                   |   | Theoretical value of the maximum transfer rate<br>f <sub>MCK</sub> = f <sub>CLK</sub> <sup>Note 3</sup> |                           | 5.3                                      |                          | 1.3                                      |                            | 0.6                 | Mbps |
| 1.6 V ≤ EV <sub>DD0</sub> ≤ 5.5 V |   | –   |                           | f <sub>MCK</sub> /6<br><sup>Note 2</sup> |                          | f <sub>MCK</sub> /6                      | bps                        |                     |      |
|                                   | Theoretical value of the maximum transfer rate<br>f <sub>MCK</sub> = f <sub>CLK</sub> <sup>Note 3</sup> |   | –                         |  | 1.3                      |  | 0.6                        | Mbps                |      |

**Notes 1.** Transfer rate in the SNOOZE mode is 4800 bps only.

**2.** The following conditions are required for low voltage interface when EV<sub>DD0</sub> < V<sub>DD</sub>.

2.4 V ≤ EV<sub>DD0</sub> < 2.7 V : MAX. 2.6 Mbps

1.8 V ≤ EV<sub>DD0</sub> < 2.4 V : MAX. 1.3 Mbps

1.6 V ≤ EV<sub>DD0</sub> < 1.8 V : MAX. 0.6 Mbps

**3.** The maximum operating frequencies of the CPU/peripheral hardware clock (f<sub>CLK</sub>) are:

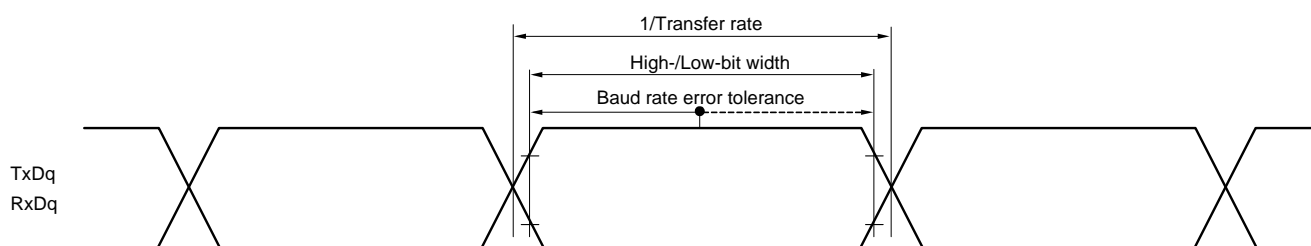
HS (high-speed main) mode: 32 MHz (2.7 V ≤ V<sub>DD</sub> ≤ 5.5 V)

16 MHz (2.4 V ≤ V<sub>DD</sub> ≤ 5.5 V)

LS (low-speed main) mode: 8 MHz (1.8 V ≤ V<sub>DD</sub> ≤ 5.5 V)

LV (low-voltage main) mode: 4 MHz (1.6 V ≤ V<sub>DD</sub> ≤ 5.5 V)

**Caution** Select the normal input buffer for the RxDq pin and the normal output mode for the TxDq pin by using port input mode register g (PIMg) and port output mode register g (POMg).

**UART mode connection diagram (during communication at same potential)****UART mode bit width (during communication at same potential) (reference)**

- Remarks 1.** q: UART number (q = 0 to 3), g: PIM and POM number (g = 0, 1, 8, 14)
- 2.**  $f_{\text{MCK}}$ : Serial array unit operation clock frequency  
 (Operation clock to be set by the CKSmn bit of serial mode register mn (SMRmn). m: Unit number, n: Channel number (mn = 00 to 03, 10 to 13))

**(2) During communication at same potential (CSI mode) (master mode, SCKp... internal clock output, corresponding CSI00 only)****( $T_A = -40$  to  $+85^\circ\text{C}$ ,  $2.7\text{ V} \leq \text{EV}_{\text{DD}0} = \text{EV}_{\text{DD}1} \leq \text{V}_{\text{DD}} \leq 5.5\text{ V}$ ,  $\text{V}_{\text{SS}} = \text{EV}_{\text{SS}0} = \text{EV}_{\text{SS}1} = 0\text{ V}$ )**

| Parameter  | Symbol                                 | Conditions   | HS (high-speed main) Mode                                    |      | LS (low-speed main) Mode |      | LV (low-voltage main) Mode |      | Unit |
|--|--|--|--|------|--------------------------|------|----------------------------|------|------|
|  |  |  | MIN.   | MAX. | MIN.                     | MAX. | MIN.                       | MAX. |      |
| SCKp cycle time  | $t_{\text{KCY}1}$                      | $t_{\text{KCY}1} \geq 2/f_{\text{CLK}}$                      | $4.0\text{ V} \leq \text{EV}_{\text{DD}0} \leq 5.5\text{ V}$ | 62.5 |                          | 250  |                            | 500  | ns   |
|  |  |  | $2.7\text{ V} \leq \text{EV}_{\text{DD}0} \leq 5.5\text{ V}$ | 83.3 |                          | 250  |                            | 500  | ns   |
| SCKp high-/low-level width                                   | $t_{\text{KH}1}$ ,<br>$t_{\text{KL}1}$ | $4.0\text{ V} \leq \text{EV}_{\text{DD}0} \leq 5.5\text{ V}$ | $t_{\text{KCY}1}/2 - 7$                                      |      | $t_{\text{KCY}1}/2 - 50$ |      | $t_{\text{KCY}1}/2 - 50$   |      | ns   |
|  |  | $2.7\text{ V} \leq \text{EV}_{\text{DD}0} \leq 5.5\text{ V}$ | $t_{\text{KCY}1}/2 - 10$                                     |      | $t_{\text{KCY}1}/2 - 50$ |      | $t_{\text{KCY}1}/2 - 50$   |      | ns   |
| Slp setup time (to SCKp↑)<br><small>Note 1</small>           | $t_{\text{SIK}1}$                      | $4.0\text{ V} \leq \text{EV}_{\text{DD}0} \leq 5.5\text{ V}$ | 23   |      | 110                      |      | 110                        |      | ns   |
|  |  | $2.7\text{ V} \leq \text{EV}_{\text{DD}0} \leq 5.5\text{ V}$ | 33   |      | 110                      |      | 110                        |      | ns   |
| Slp hold time (from SCKp↓)<br><small>Note 2</small>          | $t_{\text{KS}1}$                       | $2.7\text{ V} \leq \text{EV}_{\text{DD}0} \leq 5.5\text{ V}$ | 10   |      | 10                       |      | 10                         |      | ns   |
| Delay time from SCKp↓ to SOP output<br><small>Note 3</small> | $t_{\text{KS}01}$                      | $C = 20\text{ pF}$ <small>Note 4</small>                     |  | 10   |                          | 10   |                            | 10   | ns   |

- Notes**
1. When  $\text{DAP}_{\text{mn}} = 0$  and  $\text{CKP}_{\text{mn}} = 0$ , or  $\text{DAP}_{\text{mn}} = 1$  and  $\text{CKP}_{\text{mn}} = 1$ . The Slp setup time becomes “to SCKp↓” when  $\text{DAP}_{\text{mn}} = 0$  and  $\text{CKP}_{\text{mn}} = 1$ , or  $\text{DAP}_{\text{mn}} = 1$  and  $\text{CKP}_{\text{mn}} = 0$ .
  2. When  $\text{DAP}_{\text{mn}} = 0$  and  $\text{CKP}_{\text{mn}} = 0$ , or  $\text{DAP}_{\text{mn}} = 1$  and  $\text{CKP}_{\text{mn}} = 1$ . The Slp hold time becomes “from SCKp↓” when  $\text{DAP}_{\text{mn}} = 0$  and  $\text{CKP}_{\text{mn}} = 1$ , or  $\text{DAP}_{\text{mn}} = 1$  and  $\text{CKP}_{\text{mn}} = 0$ .
  3. When  $\text{DAP}_{\text{mn}} = 0$  and  $\text{CKP}_{\text{mn}} = 0$ , or  $\text{DAP}_{\text{mn}} = 1$  and  $\text{CKP}_{\text{mn}} = 1$ . The delay time to SOP output becomes “from SCKp↑” when  $\text{DAP}_{\text{mn}} = 0$  and  $\text{CKP}_{\text{mn}} = 1$ , or  $\text{DAP}_{\text{mn}} = 1$  and  $\text{CKP}_{\text{mn}} = 0$ .
  4. C is the load capacitance of the SCKp and SOP output lines.

**Caution** Select the normal input buffer for the Slp pin and the normal output mode for the SOP pin and SCKp pin by using port input mode register g (PIMg) and port output mode register g (POMg).

- Remarks**
1. This value is valid only when CSI00's peripheral I/O redirect function is not used.
  2. p: CSI number (p = 00), m: Unit number (m = 0), n: Channel number (n = 0),  
g: PIM and POM numbers (g = 1)
  3.  $f_{\text{MCK}}$ : Serial array unit operation clock frequency  
(Operation clock to be set by the CKSmn bit of serial mode register mn (SMRmn). m: Unit number, n: Channel number (mn = 00))



## (3) During communication at same potential (CSI mode) (master mode, SCKp... internal clock output)

(T<sub>A</sub> = -40 to +85°C, 1.6 V ≤ EV<sub>DD0</sub> = EV<sub>DD1</sub> ≤ V<sub>DD</sub> ≤ 5.5 V, V<sub>SS</sub> = EV<sub>SS0</sub> = EV<sub>SS1</sub> = 0 V)

| Parameter                                  | Symbol                                 | Conditions   | HS (high-speed main) Mode         |      | LS (low-speed main) Mode   |      | LV (low-voltage main) Mode |      | Unit |
|--|--|--|-----------------------------------|------|----------------------------|------|----------------------------|------|------|
|  |  |  | MIN.                              | MAX. | MIN.                       | MAX. | MIN.                       | MAX. |      |
| SCKp cycle time                            | t <sub>KCY1</sub>                      | t <sub>KCY1</sub> ≥ 4/f <sub>CLK</sub>                           | 2.7 V ≤ EV <sub>DD0</sub> ≤ 5.5 V | 125  |                            | 500  |                            | 1000 | ns   |
|  |  |  | 2.4 V ≤ EV <sub>DD0</sub> ≤ 5.5 V | 250  |                            | 500  |                            | 1000 | ns   |
|  |  |  | 1.8 V ≤ EV <sub>DD0</sub> ≤ 5.5 V | 500  |                            | 500  |                            | 1000 | ns   |
|  |  |  | 1.7 V ≤ EV <sub>DD0</sub> ≤ 5.5 V | 1000 |                            | 1000 |                            | 1000 | ns   |
|  |  |  | 1.6 V ≤ EV <sub>DD0</sub> ≤ 5.5 V | –    |                            | 1000 |                            | 1000 | ns   |
| SCKp high-/low-level width                 | t <sub>KH1</sub> ,<br>t <sub>KL1</sub> | 4.0 V ≤ EV <sub>DD0</sub> ≤ 5.5 V                                | t <sub>KCY1</sub> /2 – 12         |      | t <sub>KCY1</sub> /2 – 50  |      | t <sub>KCY1</sub> /2 – 50  | ns   |      |
|  |  | 2.7 V ≤ EV <sub>DD0</sub> ≤ 5.5 V                                | t <sub>KCY1</sub> /2 – 18         |      | t <sub>KCY1</sub> /2 – 50  |      | t <sub>KCY1</sub> /2 – 50  | ns   |      |
|  |  | 2.4 V ≤ EV <sub>DD0</sub> ≤ 5.5 V                                | t <sub>KCY1</sub> /2 – 38         |      | t <sub>KCY1</sub> /2 – 50  |      | t <sub>KCY1</sub> /2 – 50  | ns   |      |
|  |  | 1.8 V ≤ EV <sub>DD0</sub> ≤ 5.5 V                                | t <sub>KCY1</sub> /2 – 50         |      | t <sub>KCY1</sub> /2 – 50  |      | t <sub>KCY1</sub> /2 – 50  | ns   |      |
|  |  | 1.7 V ≤ EV <sub>DD0</sub> ≤ 5.5 V                                | t <sub>KCY1</sub> /2 – 100        |      | t <sub>KCY1</sub> /2 – 100 |      | t <sub>KCY1</sub> /2 – 100 | ns   |      |
|  |  | 1.6 V ≤ EV <sub>DD0</sub> ≤ 5.5 V                                | –                                 |      | t <sub>KCY1</sub> /2 – 100 |      | t <sub>KCY1</sub> /2 – 100 | ns   |      |
| Slp setup time (to SCKp↑)<br>Note 1        | t <sub>SIK1</sub>                      | 4.0 V ≤ EV <sub>DD0</sub> ≤ 5.5 V                                | 44                                |      | 110                        |      | 110                        | ns   |      |
|  |  | 2.7 V ≤ EV <sub>DD0</sub> ≤ 5.5 V                                | 44                                |      | 110                        |      | 110                        | ns   |      |
|  |  | 2.4 V ≤ EV <sub>DD0</sub> ≤ 5.5 V                                | 75                                |      | 110                        |      | 110                        | ns   |      |
|  |  | 1.8 V ≤ EV <sub>DD0</sub> ≤ 5.5 V                                | 110                               |      | 110                        |      | 110                        | ns   |      |
|  |  | 1.7 V ≤ EV <sub>DD0</sub> ≤ 5.5 V                                | 220                               |      | 220                        |      | 220                        | ns   |      |
|  |  | 1.6 V ≤ EV <sub>DD0</sub> ≤ 5.5 V                                | –                                 |      | 220                        |      | 220                        | ns   |      |
| Slp hold time (from SCKp↑) Note 2          | t <sub>KSH1</sub>                      | 1.7 V ≤ EV <sub>DD0</sub> ≤ 5.5 V                                | 19                                |      | 19                         |      | 19                         | ns   |      |
|  |  | 1.6 V ≤ EV <sub>DD0</sub> ≤ 5.5 V                                | –                                 |      | 19                         |      | 19                         | ns   |      |
| Delay time from SCKp↓ to SOp output Note 3 | t <sub>KSO1</sub>                      | 1.7 V ≤ EV <sub>DD0</sub> ≤ 5.5 V<br>C = 30 pF <sup>Note 4</sup> |                                   | 25   |                            | 25   |                            | 25   | ns   |
|  |  | 1.6 V ≤ EV <sub>DD0</sub> ≤ 5.5 V<br>C = 30 pF <sup>Note 4</sup> |                                   | –    |                            | 25   |                            | 25   | ns   |

- Notes**
1. When DAP<sub>mn</sub> = 0 and CKP<sub>mn</sub> = 0, or DAP<sub>mn</sub> = 1 and CKP<sub>mn</sub> = 1. The Slp setup time becomes “to SCKp↓” when DAP<sub>mn</sub> = 0 and CKP<sub>mn</sub> = 1, or DAP<sub>mn</sub> = 1 and CKP<sub>mn</sub> = 0.
  2. When DAP<sub>mn</sub> = 0 and CKP<sub>mn</sub> = 0, or DAP<sub>mn</sub> = 1 and CKP<sub>mn</sub> = 1. The Slp hold time becomes “from SCKp↓” when DAP<sub>mn</sub> = 0 and CKP<sub>mn</sub> = 1, or DAP<sub>mn</sub> = 1 and CKP<sub>mn</sub> = 0.
  3. When DAP<sub>mn</sub> = 0 and CKP<sub>mn</sub> = 0, or DAP<sub>mn</sub> = 1 and CKP<sub>mn</sub> = 1. The delay time to SOp output becomes “from SCKp↑” when DAP<sub>mn</sub> = 0 and CKP<sub>mn</sub> = 1, or DAP<sub>mn</sub> = 1 and CKP<sub>mn</sub> = 0.
  4. C is the load capacitance of the SCKp and SOp output lines.

**Caution** Select the normal input buffer for the Slp pin and the normal output mode for the SOp pin and SCKp pin by using port input mode register g (PIMg) and port output mode register g (POMg).

- Remarks 1.** p: CSI number (p = 00, 01, 10, 11, 20, 21, 30, 31), m: Unit number (m = 0, 1), n: Channel number (n = 0 to 3), g: PIM and POM numbers (g = 0, 1, 4, 5, 8, 14)
- 2.**  $f_{\text{MCK}}$ : Serial array unit operation clock frequency  
(Operation clock to be set by the CKSmn bit of serial mode register mn (SMRmn). m: Unit number, n: Channel number (mn = 00 to 03, 10 to 13))

**(4) During communication at same potential (CSI mode) (slave mode, SCKp... external clock input) (1/2)**

( $T_A = -40$  to  $+85^\circ\text{C}$ ,  $1.6\text{ V} \leq \text{EV}_{\text{DD0}} = \text{EV}_{\text{DD1}} \leq \text{V}_{\text{DD}} \leq 5.5\text{ V}$ ,  $\text{V}_{\text{SS}} = \text{EV}_{\text{SS0}} = \text{EV}_{\text{SS1}} = 0\text{ V}$ )

| Parameter                  | Symbol                                 | Conditions   | HS (high-speed main) Mode           |                                | LS (low-speed main) Mode |                                | LV (low-voltage main) Mode     |                                | Unit |
|----------------------------|--|--|-------------------------------------|--------------------------------|--------------------------|--------------------------------|--------------------------------|--------------------------------|------|
|                            |  |  | MIN.                                | MAX.                           | MIN.                     | MAX.                           | MIN.                           | MAX.                           |      |
| SCKp cycle time<br>Note 5  | $t_{\text{KCY2}}$                      | $4.0\text{ V} \leq \text{EV}_{\text{DD0}} \leq 5.5\text{ V}$ | $20\text{ MHz} < f_{\text{MCK}}$    | $8/f_{\text{MCK}}$             |                          | –                              |                                | –                              | ns   |
|                            |  |  | $f_{\text{MCK}} \leq 20\text{ MHz}$ | $6/f_{\text{MCK}}$             |                          | $6/f_{\text{MCK}}$             |                                | $6/f_{\text{MCK}}$             | ns   |
|                            |  | $2.7\text{ V} \leq \text{EV}_{\text{DD0}} \leq 5.5\text{ V}$ | $16\text{ MHz} < f_{\text{MCK}}$    | $8/f_{\text{MCK}}$             |                          | –                              |                                | –                              | ns   |
|                            |  |  | $f_{\text{MCK}} \leq 16\text{ MHz}$ | $6/f_{\text{MCK}}$             |                          | $6/f_{\text{MCK}}$             |                                | $6/f_{\text{MCK}}$             | ns   |
|                            |  | $2.4\text{ V} \leq \text{EV}_{\text{DD0}} \leq 5.5\text{ V}$ |                                     | $6/f_{\text{MCK}}$<br>and 500  |                          | $6/f_{\text{MCK}}$<br>and 500  |                                | $6/f_{\text{MCK}}$<br>and 500  | ns   |
|                            |  | $1.8\text{ V} \leq \text{EV}_{\text{DD0}} \leq 5.5\text{ V}$ |                                     | $6/f_{\text{MCK}}$<br>and 750  |                          | $6/f_{\text{MCK}}$<br>and 750  |                                | $6/f_{\text{MCK}}$<br>and 750  | ns   |
|                            |  | $1.7\text{ V} \leq \text{EV}_{\text{DD0}} \leq 5.5\text{ V}$ |                                     | $6/f_{\text{MCK}}$<br>and 1500 |                          | $6/f_{\text{MCK}}$<br>and 1500 |                                | $6/f_{\text{MCK}}$<br>and 1500 | ns   |
|                            |  | $1.6\text{ V} \leq \text{EV}_{\text{DD0}} \leq 5.5\text{ V}$ |                                     | –                              |                          | $6/f_{\text{MCK}}$<br>and 1500 | $6/f_{\text{MCK}}$<br>and 1500 | ns                             |      |
| SCKp high-/low-level width | $t_{\text{KH2}}$ ,<br>$t_{\text{KL2}}$ | $4.0\text{ V} \leq \text{EV}_{\text{DD0}} \leq 5.5\text{ V}$ |                                     | $t_{\text{KCY2}}/2 - 7$        |                          | $t_{\text{KCY2}}/2 - 7$        |                                | $t_{\text{KCY2}}/2 - 7$        | ns   |
|                            |  | $2.7\text{ V} \leq \text{EV}_{\text{DD0}} \leq 5.5\text{ V}$ |                                     | $t_{\text{KCY2}}/2 - 8$        |                          | $t_{\text{KCY2}}/2 - 8$        |                                | $t_{\text{KCY2}}/2 - 8$        | ns   |
|                            |  | $1.8\text{ V} \leq \text{EV}_{\text{DD0}} \leq 5.5\text{ V}$ |                                     | $t_{\text{KCY2}}/2 - 18$       |                          | $t_{\text{KCY2}}/2 - 18$       |                                | $t_{\text{KCY2}}/2 - 18$       | ns   |
|                            |  | $1.7\text{ V} \leq \text{EV}_{\text{DD0}} \leq 5.5\text{ V}$ |                                     | $t_{\text{KCY2}}/2 - 66$       |                          | $t_{\text{KCY2}}/2 - 66$       |                                | $t_{\text{KCY2}}/2 - 66$       | ns   |
|                            |  | $1.6\text{ V} \leq \text{EV}_{\text{DD0}} \leq 5.5\text{ V}$ |                                     | –                              |                          | $t_{\text{KCY2}}/2 - 66$       |                                | $t_{\text{KCY2}}/2 - 66$       | ns   |

(Notes, Caution, and Remarks are listed on the next page.)

**(4) During communication at same potential (CSI mode) (slave mode, SCKp... external clock input) (2/2)****(T<sub>A</sub> = -40 to +85°C, 1.6 V ≤ EV<sub>DD0</sub> = EV<sub>DD1</sub> ≤ V<sub>DD</sub> ≤ 5.5 V, V<sub>SS</sub> = EV<sub>SS0</sub> = EV<sub>SS1</sub> = 0 V)**

| Parameter   | Symbol             | Conditions                        | HS (high-speed main) Mode         |                         | LS (low-speed main) Mode |                         | LV (low-voltage main) Mode |                         | Unit                    |
|---|--------------------|-----------------------------------|-----------------------------------|-------------------------|--------------------------|-------------------------|----------------------------|-------------------------|-------------------------|
|   |                    |                                   | MIN.                              | MAX.                    | MIN.                     | MAX.                    | MIN.                       | MAX.                    |                         |
| Slp setup time (to SCKp↑) <sup>Note 1</sup>           | ts <sub>SIK2</sub> | 2.7 V ≤ EV <sub>DD0</sub> ≤ 5.5 V |                                   | 1/f <sub>MCK</sub> +20  |                          | 1/f <sub>MCK</sub> +30  |                            | 1/f <sub>MCK</sub> +30  | ns                      |
|   |                    | 1.8 V ≤ EV <sub>DD0</sub> ≤ 5.5 V |                                   | 1/f <sub>MCK</sub> +30  |                          | 1/f <sub>MCK</sub> +30  |                            | 1/f <sub>MCK</sub> +30  | ns                      |
|   |                    | 1.7 V ≤ EV <sub>DD0</sub> ≤ 5.5 V |                                   | 1/f <sub>MCK</sub> +40  |                          | 1/f <sub>MCK</sub> +40  |                            | 1/f <sub>MCK</sub> +40  | ns                      |
|   |                    | 1.6 V ≤ EV <sub>DD0</sub> ≤ 5.5 V |                                   | –                       |                          | 1/f <sub>MCK</sub> +40  |                            | 1/f <sub>MCK</sub> +40  | ns                      |
| Slp hold time (from SCKp↑) <sup>Note 2</sup>          | tk <sub>SI2</sub>  | 1.8 V ≤ EV <sub>DD0</sub> ≤ 5.5 V |                                   | 1/f <sub>MCK</sub> +31  |                          | 1/f <sub>MCK</sub> +31  |                            | 1/f <sub>MCK</sub> +31  | ns                      |
|   |                    | 1.7 V ≤ EV <sub>DD0</sub> ≤ 5.5 V |                                   | 1/f <sub>MCK</sub> +250 |                          | 1/f <sub>MCK</sub> +250 |                            | 1/f <sub>MCK</sub> +250 | ns                      |
|   |                    | 1.6 V ≤ EV <sub>DD0</sub> ≤ 5.5 V |                                   | –                       |                          | 1/f <sub>MCK</sub> +250 |                            | 1/f <sub>MCK</sub> +250 | ns                      |
| Delay time from SCKp↓ to SOP output <sup>Note 3</sup> | tk <sub>SO2</sub>  | C = 30 pF <sup>Note 4</sup>       | 2.7 V ≤ EV <sub>DD0</sub> ≤ 5.5 V |                         |                          | 2/f <sub>MCK</sub> +44  |                            | 2/f <sub>MCK</sub> +110 | ns                      |
|   |                    |                                   | 2.4 V ≤ EV <sub>DD0</sub> ≤ 5.5 V |                         |                          | 2/f <sub>MCK</sub> +75  |                            | 2/f <sub>MCK</sub> +110 | ns                      |
|   |                    |                                   | 1.8 V ≤ EV <sub>DD0</sub> ≤ 5.5 V |                         |                          | 2/f <sub>MCK</sub> +110 |                            | 2/f <sub>MCK</sub> +110 | ns                      |
|   |                    |                                   | 1.7 V ≤ EV <sub>DD0</sub> ≤ 5.5 V |                         |                          | 2/f <sub>MCK</sub> +220 |                            | 2/f <sub>MCK</sub> +220 | ns                      |
|   |                    |                                   | 1.6 V ≤ EV <sub>DD0</sub> ≤ 5.5 V |                         |                          | –                       |                            | 2/f <sub>MCK</sub> +220 | 2/f <sub>MCK</sub> +220 |

- Notes**
1. When DAP<sub>mn</sub> = 0 and CKP<sub>mn</sub> = 0, or DAP<sub>mn</sub> = 1 and CKP<sub>mn</sub> = 1. The Slp setup time becomes “to SCKp↓” when DAP<sub>mn</sub> = 0 and CKP<sub>mn</sub> = 1, or DAP<sub>mn</sub> = 1 and CKP<sub>mn</sub> = 0.
  2. When DAP<sub>mn</sub> = 0 and CKP<sub>mn</sub> = 0, or DAP<sub>mn</sub> = 1 and CKP<sub>mn</sub> = 1. The Slp hold time becomes “from SCKp↓” when DAP<sub>mn</sub> = 0 and CKP<sub>mn</sub> = 1, or DAP<sub>mn</sub> = 1 and CKP<sub>mn</sub> = 0.
  3. When DAP<sub>mn</sub> = 0 and CKP<sub>mn</sub> = 0, or DAP<sub>mn</sub> = 1 and CKP<sub>mn</sub> = 1. The delay time to SOP output becomes “from SCKp↑” when DAP<sub>mn</sub> = 0 and CKP<sub>mn</sub> = 1, or DAP<sub>mn</sub> = 1 and CKP<sub>mn</sub> = 0.
  4. C is the load capacitance of the SOP output lines.
  5. Transfer rate in the SNOOZE mode: MAX. 1 Mbps

**Caution** Select the normal input buffer for the Slp pin and SCKp pin and the normal output mode for the SOP pin by using port input mode register g (PIMg) and port output mode register g (POMg).

- Remarks**
1. p: CSI number (p = 00, 01, 10, 11, 20, 21, 30, 31), m: Unit number (m = 0, 1), n: Channel number (n = 0 to 3), g: PIM number (g = 0, 1, 4, 5, 8, 14)
  2. f<sub>MCK</sub>: Serial array unit operation clock frequency (Operation clock to be set by the CKS<sub>mn</sub> bit of serial mode register mn (SMR<sub>mn</sub>). m: Unit number, n: Channel number (mn = 00 to 03, 10 to 13))

**CSI mode connection diagram (during communication at same potential)**



**CSI mode serial transfer timing (during communication at same potential)  
(When DAPmn = 0 and CKPmn = 0, or DAPmn = 1 and CKPmn = 1.)**



**CSI mode serial transfer timing (during communication at same potential)  
(When DAPmn = 0 and CKPmn = 1, or DAPmn = 1 and CKPmn = 0.)**



- 1. p: CSI number (p = 00, 01, 10, 11, 20, 21, 30, 31)
- 2. m: Unit number, n: Channel number (mn = 00 to 03, 10 to 13)

(5) During communication at same potential (simplified I<sup>2</sup>C mode) (1/2) $(T_A = -40$  to  $+85^\circ\text{C}$ ,  $1.6\text{ V} \leq \text{EV}_{\text{DD0}} = \text{EV}_{\text{DD1}} \leq \text{V}_{\text{DD}} \leq 5.5\text{ V}$ ,  $\text{V}_{\text{SS}} = \text{EV}_{\text{SS0}} = \text{EV}_{\text{SS1}} = 0\text{ V}$ )

| Parameter                 | Symbol            | Conditions  | HS (high-speed main) Mode |                | LS (low-speed main) Mode |               | LV (low-voltage main) Mode |               | Unit |
|---------------------------|-------------------|---|---------------------------|----------------|--------------------------|---------------|----------------------------|---------------|------|
|                           |                   |   | MIN.                      | MAX.           | MIN.                     | MAX.          | MIN.                       | MAX.          |      |
| SCLr clock frequency      | f <sub>SCL</sub>  | 2.7 V $\leq$ EV <sub>DD0</sub> $\leq$ 5.5 V,<br>C <sub>b</sub> = 50 pF, R <sub>b</sub> = 2.7 k $\Omega$ |                           | 1000<br>Note 1 |                          | 400<br>Note 1 |                            | 400<br>Note 1 | kHz  |
|                           |                   | 1.8 V $\leq$ EV <sub>DD0</sub> $\leq$ 5.5 V,<br>C <sub>b</sub> = 100 pF, R <sub>b</sub> = 3 k $\Omega$  |                           | 400<br>Note 1  |                          | 400<br>Note 1 |                            | 400<br>Note 1 | kHz  |
|                           |                   | 1.8 V $\leq$ EV <sub>DD0</sub> < 2.7 V,<br>C <sub>b</sub> = 100 pF, R <sub>b</sub> = 5 k $\Omega$       |                           | 300<br>Note 1  |                          | 300<br>Note 1 |                            | 300<br>Note 1 | kHz  |
|                           |                   | 1.7 V $\leq$ EV <sub>DD0</sub> < 1.8 V,<br>C <sub>b</sub> = 100 pF, R <sub>b</sub> = 5 k $\Omega$       |                           | 250<br>Note 1  |                          | 250<br>Note 1 |                            | 250<br>Note 1 | kHz  |
|                           |                   | 1.6 V $\leq$ EV <sub>DD0</sub> < 1.8 V,<br>C <sub>b</sub> = 100 pF, R <sub>b</sub> = 5 k $\Omega$       |                           | –              |                          | 250<br>Note 1 |                            | 250<br>Note 1 | kHz  |
| Hold time when SCLr = "L" | t <sub>LOW</sub>  | 2.7 V $\leq$ EV <sub>DD0</sub> $\leq$ 5.5 V,<br>C <sub>b</sub> = 50 pF, R <sub>b</sub> = 2.7 k $\Omega$ | 475                       |                | 1150                     |               | 1150                       |               | ns   |
|                           |                   | 1.8 V $\leq$ EV <sub>DD0</sub> $\leq$ 5.5 V,<br>C <sub>b</sub> = 100 pF, R <sub>b</sub> = 3 k $\Omega$  | 1150                      |                | 1150                     |               | 1150                       |               | ns   |
|                           |                   | 1.8 V $\leq$ EV <sub>DD0</sub> < 2.7 V,<br>C <sub>b</sub> = 100 pF, R <sub>b</sub> = 5 k $\Omega$       | 1550                      |                | 1550                     |               | 1550                       |               | ns   |
|                           |                   | 1.7 V $\leq$ EV <sub>DD0</sub> < 1.8 V,<br>C <sub>b</sub> = 100 pF, R <sub>b</sub> = 5 k $\Omega$       | 1850                      |                | 1850                     |               | 1850                       |               | ns   |
|                           |                   | 1.6 V $\leq$ EV <sub>DD0</sub> < 1.8 V,<br>C <sub>b</sub> = 100 pF, R <sub>b</sub> = 5 k $\Omega$       | –                         |                | 1850                     |               | 1850                       |               | ns   |
| Hold time when SCLr = "H" | t <sub>HIGH</sub> | 2.7 V $\leq$ EV <sub>DD0</sub> $\leq$ 5.5 V,<br>C <sub>b</sub> = 50 pF, R <sub>b</sub> = 2.7 k $\Omega$ | 475                       |                | 1150                     |               | 1150                       |               | ns   |
|                           |                   | 1.8 V $\leq$ EV <sub>DD0</sub> $\leq$ 5.5 V,<br>C <sub>b</sub> = 100 pF, R <sub>b</sub> = 3 k $\Omega$  | 1150                      |                | 1150                     |               | 1150                       |               | ns   |
|                           |                   | 1.8 V $\leq$ EV <sub>DD0</sub> < 2.7 V,<br>C <sub>b</sub> = 100 pF, R <sub>b</sub> = 5 k $\Omega$       | 1550                      |                | 1550                     |               | 1550                       |               | ns   |
|                           |                   | 1.7 V $\leq$ EV <sub>DD0</sub> < 1.8 V,<br>C <sub>b</sub> = 100 pF, R <sub>b</sub> = 5 k $\Omega$       | 1850                      |                | 1850                     |               | 1850                       |               | ns   |
|                           |                   | 1.6 V $\leq$ EV <sub>DD0</sub> < 1.8 V,<br>C <sub>b</sub> = 100 pF, R <sub>b</sub> = 5 k $\Omega$       | –                         |                | 1850                     |               | 1850                       |               | ns   |

(Notes and Caution are listed on the next page, and Remarks are listed on the page after the next page.)

(5) During communication at same potential (simplified I<sup>2</sup>C mode) (2/2)(T<sub>A</sub> = -40 to +85°C, 1.6 V ≤ EV<sub>DD0</sub> = EV<sub>DD1</sub> ≤ V<sub>DD</sub> ≤ 5.5 V, V<sub>SS</sub> = EV<sub>SS0</sub> = EV<sub>SS1</sub> = 0 V)

| Parameter                     | Symbol              | Conditions  | HS (high-speed main) Mode         |      | LS (low-speed main) Mode          |      | LV (low-voltage main) Mode        |      | Unit |
|-------------------------------|---------------------|---|-----------------------------------|------|-----------------------------------|------|-----------------------------------|------|------|
|                               |                     |   | MIN.                              | MAX. | MIN.                              | MAX. | MIN.                              | MAX. |      |
| Data setup time (reception)   | t <sub>SU:DAT</sub> | 2.7 V ≤ EV <sub>DD0</sub> ≤ 5.5 V,<br>C <sub>b</sub> = 50 pF, R <sub>b</sub> = 2.7 kΩ | 1/f <sub>MCK</sub> + 85<br>Note2  |      | 1/f <sub>MCK</sub> + 145<br>Note2 |      | 1/f <sub>MCK</sub> + 145<br>Note2 |      | ns   |
|                               |                     | 1.8 V ≤ EV <sub>DD0</sub> ≤ 5.5 V,<br>C <sub>b</sub> = 100 pF, R <sub>b</sub> = 3 kΩ  | 1/f <sub>MCK</sub> + 145<br>Note2 |      | 1/f <sub>MCK</sub> + 145<br>Note2 |      | 1/f <sub>MCK</sub> + 145<br>Note2 |      | ns   |
|                               |                     | 1.8 V ≤ EV <sub>DD0</sub> < 2.7 V,<br>C <sub>b</sub> = 100 pF, R <sub>b</sub> = 5 kΩ  | 1/f <sub>MCK</sub> + 230<br>Note2 |      | 1/f <sub>MCK</sub> + 230<br>Note2 |      | 1/f <sub>MCK</sub> + 230<br>Note2 |      | ns   |
|                               |                     | 1.7 V ≤ EV <sub>DD0</sub> < 1.8 V,<br>C <sub>b</sub> = 100 pF, R <sub>b</sub> = 5 kΩ  | 1/f <sub>MCK</sub> + 290<br>Note2 |      | 1/f <sub>MCK</sub> + 290<br>Note2 |      | 1/f <sub>MCK</sub> + 290<br>Note2 |      | ns   |
|                               |                     | 1.6 V ≤ EV <sub>DD0</sub> < 1.8 V,<br>C <sub>b</sub> = 100 pF, R <sub>b</sub> = 5 kΩ  | –                                 |      | 1/f <sub>MCK</sub> + 290<br>Note2 |      | 1/f <sub>MCK</sub> + 290<br>Note2 |      | ns   |
| Data hold time (transmission) | t <sub>HD:DAT</sub> | 2.7 V ≤ EV <sub>DD0</sub> ≤ 5.5 V,<br>C <sub>b</sub> = 50 pF, R <sub>b</sub> = 2.7 kΩ | 0                                 | 305  | 0                                 | 305  | 0                                 | 305  | ns   |
|                               |                     | 1.8 V ≤ EV <sub>DD0</sub> ≤ 5.5 V,<br>C <sub>b</sub> = 100 pF, R <sub>b</sub> = 3 kΩ  | 0                                 | 355  | 0                                 | 355  | 0                                 | 355  | ns   |
|                               |                     | 1.8 V ≤ EV <sub>DD0</sub> < 2.7 V,<br>C <sub>b</sub> = 100 pF, R <sub>b</sub> = 5 kΩ  | 0                                 | 405  | 0                                 | 405  | 0                                 | 405  | ns   |
|                               |                     | 1.7 V ≤ EV <sub>DD0</sub> < 1.8 V,<br>C <sub>b</sub> = 100 pF, R <sub>b</sub> = 5 kΩ  | 0                                 | 405  | 0                                 | 405  | 0                                 | 405  | ns   |
|                               |                     | 1.6 V ≤ EV <sub>DD0</sub> < 1.8 V,<br>C <sub>b</sub> = 100 pF, R <sub>b</sub> = 5 kΩ  | –                                 |      | 0                                 | 405  | 0                                 | 405  | ns   |

- Notes**
1. The value must also be equal to or less than f<sub>MCK</sub>/4.
  2. Set the f<sub>MCK</sub> value to keep the hold time of SCLr = "L" and SCLr = "H".

**Caution** Select the normal input buffer and the N-ch open drain output (V<sub>DD</sub> tolerance (When 20- to 52-pin products)/EV<sub>DD</sub> tolerance (When 64- to 128-pin products)) mode for the SDAr pin and the normal output mode for the SCLr pin by using port input mode register g (PIMg) and port output mode register h (POMh).

(Remarks are listed on the next page.)

Simplified I<sup>2</sup>C mode connection diagram (during communication at same potential)Simplified I<sup>2</sup>C mode serial transfer timing (during communication at same potential)

- Remarks**
- $R_b[\Omega]$ : Communication line (SDAr) pull-up resistance,  $C_b[F]$ : Communication line (SDAr, SCLr) load capacitance
  - r: IIC number (r = 00, 01, 10, 11, 20, 21, 30, 31), g: PIM number (g = 0, 1, 4, 5, 8, 14), h: POM number (g = 0, 1, 4, 5, 7 to 9, 14)
  - $f_{MCK}$ : Serial array unit operation clock frequency  
(Operation clock to be set by the CKSmn bit of serial mode register mn (SMRmn). m: Unit number (m = 0, 1), n: Channel number (n = 0 to 3), mn = 00 to 03, 10 to 13)

**(6) Communication at different potential (1.8 V, 2.5 V, 3 V) (UART mode) (1/2)****( $T_A = -40$  to  $+85^\circ\text{C}$ ,  $1.8\text{ V} \leq \text{EV}_{\text{DD}0} = \text{EV}_{\text{DD}1} \leq \text{V}_{\text{DD}} \leq 5.5\text{ V}$ ,  $\text{V}_{\text{SS}} = \text{EV}_{\text{SS}0} = \text{EV}_{\text{SS}1} = 0\text{ V}$ )**

| Parameter     | Symbol    | Conditions   | HS (high-speed main) Mode  |                                    | LS (low-speed main) Mode |                                  | LV (low-voltage main) Mode |                                  | Unit |
|---------------|-----------|--|--|------------------------------------|--------------------------|----------------------------------|----------------------------|----------------------------------|------|
|               |           |  | MIN.   | MAX.                               | MIN.                     | MAX.                             | MIN.                       | MAX.                             |      |
| Transfer rate | Reception | $4.0\text{ V} \leq \text{EV}_{\text{DD}0} \leq 5.5\text{ V}$ ,<br>$2.7\text{ V} \leq \text{V}_b \leq 4.0\text{ V}$ |  | $f_{\text{MCK}}/6$<br>Note 1       |                          | $f_{\text{MCK}}/6$<br>Note 1     |                            | $f_{\text{MCK}}/6$<br>Note 1     | bps  |
|               |           |  | Theoretical value of the maximum transfer rate<br>$f_{\text{MCK}} = f_{\text{CLK}}$ Note 4 | 5.3                                | 1.3                      | 0.6                              | Mbps                       |                                  |      |
|               |           | $2.7\text{ V} \leq \text{EV}_{\text{DD}0} < 4.0\text{ V}$ ,<br>$2.3\text{ V} \leq \text{V}_b \leq 2.7\text{ V}$    |  | $f_{\text{MCK}}/6$<br>Note 1       |                          | $f_{\text{MCK}}/6$<br>Note 1     |                            | $f_{\text{MCK}}/6$<br>Note 1     | bps  |
|               |           |  | Theoretical value of the maximum transfer rate<br>$f_{\text{MCK}} = f_{\text{CLK}}$ Note 4 | 5.3                                | 1.3                      | 0.6                              | Mbps                       |                                  |      |
|               |           | $1.8\text{ V} \leq \text{EV}_{\text{DD}0} < 3.3\text{ V}$ ,<br>$1.6\text{ V} \leq \text{V}_b \leq 2.0\text{ V}$    |  | $f_{\text{MCK}}/6$<br>Notes 1 to 3 |                          | $f_{\text{MCK}}/6$<br>Notes 1, 2 |                            | $f_{\text{MCK}}/6$<br>Notes 1, 2 | bps  |
|               |           |  | Theoretical value of the maximum transfer rate<br>$f_{\text{MCK}} = f_{\text{CLK}}$ Note 4 | 5.3                                | 1.3                      | 0.6                              | Mbps                       |                                  |      |

**Notes 1.** Transfer rate in the SNOOZE mode is 4800 bps only.**2.** Use it with  $\text{EV}_{\text{DD}0} \geq \text{V}_b$ .**3.** The following conditions are required for low voltage interface when  $\text{EV}_{\text{DD}0} < \text{V}_{\text{DD}}$ . $2.4\text{ V} \leq \text{EV}_{\text{DD}0} < 2.7\text{ V}$  : MAX. 2.6 Mbps $1.8\text{ V} \leq \text{EV}_{\text{DD}0} < 2.4\text{ V}$  : MAX. 1.3 Mbps**4.** The maximum operating frequencies of the CPU/peripheral hardware clock ( $f_{\text{CLK}}$ ) are:HS (high-speed main) mode: 32 MHz ( $2.7\text{ V} \leq \text{V}_{\text{DD}} \leq 5.5\text{ V}$ )16 MHz ( $2.4\text{ V} \leq \text{V}_{\text{DD}} \leq 5.5\text{ V}$ )LS (low-speed main) mode: 8 MHz ( $1.8\text{ V} \leq \text{V}_{\text{DD}} \leq 5.5\text{ V}$ )LV (low-voltage main) mode: 4 MHz ( $1.6\text{ V} \leq \text{V}_{\text{DD}} \leq 5.5\text{ V}$ )

**Caution** Select the TTL input buffer for the RxDq pin and the N-ch open drain output ( $\text{V}_{\text{DD}}$  tolerance (When 20- to 52-pin products)/ $\text{EV}_{\text{DD}}$  tolerance (When 64- to 128-pin products)) mode for the TxDq pin by using port input mode register g (PIMg) and port output mode register g (POMg). For  $\text{V}_{\text{IH}}$  and  $\text{V}_{\text{IL}}$ , see the DC characteristics with TTL input buffer selected.

**Remarks 1.**  $\text{V}_b[\text{V}]$ : Communication line voltage**2.** q: UART number (q = 0 to 3), g: PIM and POM number (g = 0, 1, 8, 14)**3.**  $f_{\text{MCK}}$ : Serial array unit operation clock frequency

(Operation clock to be set by the CKSmn bit of serial mode register mn (SMRmn). m: Unit number, n: Channel number (mn = 00 to 03, 10 to 13))

**4.** UART2 cannot communicate at different potential when bit 1 (PIOR1) of peripheral I/O redirection register (PIOR) is 1.



**(6) Communication at different potential (1.8 V, 2.5 V, 3 V) (UART mode) (2/2)**

(T<sub>A</sub> = -40 to +85°C, 1.8 V ≤ EV<sub>DD0</sub> = EV<sub>DD1</sub> ≤ V<sub>DD</sub> ≤ 5.5 V, V<sub>SS</sub> = EV<sub>SS0</sub> = EV<sub>SS1</sub> = 0 V)

| Parameter     | Symbol | Conditions   | HS (high-speed main) Mode   |      | LS (low-speed main) Mode |                               | LV (low-voltage main) Mode |                               | Unit |                               |     |      |
|---------------|--------|--------------|---|------|--------------------------|-------------------------------|----------------------------|-------------------------------|------|-------------------------------|-----|------|
|               |        |              | MIN.  | MAX. | MIN.                     | MAX.                          | MIN.                       | MAX.                          |      |                               |     |      |
| Transfer rate |        | Transmission | 4.0 V ≤ EV <sub>DD0</sub> ≤ 5.5 V,<br>2.7 V ≤ V <sub>b</sub> ≤ 4.0 V  |      |                          | <b>Note 1</b>                 |                            | <b>Note 1</b>                 |      | <b>Note 1</b>                 | bps |      |
|               |        |              | Theoretical value of the maximum transfer rate<br>C <sub>b</sub> = 50 pF, R <sub>b</sub> = 1.4 kΩ, V <sub>b</sub> = 2.7 V |      |                          | 2.8<br><small>Note 2</small>  |                            | 2.8<br><small>Note 2</small>  |      | 2.8<br><small>Note 2</small>  |     | Mbps |
|               |        |              | 2.7 V ≤ EV <sub>DD0</sub> < 4.0 V,<br>2.3 V ≤ V <sub>b</sub> ≤ 2.7 V  |      |                          | <b>Note 3</b>                 |                            | <b>Note 3</b>                 |      | <b>Note 3</b>                 |     | bps  |
|               |        |              | Theoretical value of the maximum transfer rate<br>C <sub>b</sub> = 50 pF, R <sub>b</sub> = 2.7 kΩ, V <sub>b</sub> = 2.3 V |      |                          | 1.2<br><small>Note 4</small>  |                            | 1.2<br><small>Note 4</small>  |      | 1.2<br><small>Note 4</small>  |     | Mbps |
|               |        |              | 1.8 V ≤ EV <sub>DD0</sub> < 3.3 V,<br>1.6 V ≤ V <sub>b</sub> ≤ 2.0 V  |      |                          | <b>Notes 5, 6</b>             |                            | <b>Notes 5, 6</b>             |      | <b>Notes 5, 6</b>             | bps |      |
|               |        |              | Theoretical value of the maximum transfer rate<br>C <sub>b</sub> = 50 pF, R <sub>b</sub> = 5.5 kΩ, V <sub>b</sub> = 1.6 V |      |                          | 0.43<br><small>Note 7</small> |                            | 0.43<br><small>Note 7</small> |      | 0.43<br><small>Note 7</small> |     | Mbps |

**Notes 1.** The smaller maximum transfer rate derived by using f<sub>MCK</sub>/6 or the following expression is the valid maximum transfer rate.

Expression for calculating the transfer rate when 4.0 V ≤ EV<sub>DD0</sub> ≤ 5.5 V and 2.7 V ≤ V<sub>b</sub> ≤ 4.0 V

$$\text{Maximum transfer rate} = \frac{1}{\{-C_b \times R_b \times \ln(1 - \frac{2.2}{V_b})\} \times 3} \text{ [bps]}$$

$$\text{Baud rate error (theoretical value)} = \frac{\frac{1}{\text{Transfer rate} \times 2} - \{-C_b \times R_b \times \ln(1 - \frac{2.2}{V_b})\}}{(\frac{1}{\text{Transfer rate}}) \times \text{Number of transferred bits}} \times 100 \text{ [%]}$$

\* This value is the theoretical value of the relative difference between the transmission and reception sides.

- This value as an example is calculated when the conditions described in the “Conditions” column are met. Refer to Note 1 above to calculate the maximum transfer rate under conditions of the customer.

**Notes 3.** The smaller maximum transfer rate derived by using f<sub>MCK</sub>/6 or the following expression is the valid maximum transfer rate.

Expression for calculating the transfer rate when 2.7 V ≤ E<sub>VDD0</sub> < 4.0 V and 2.3 V ≤ V<sub>b</sub> ≤ 2.7 V

$$\text{Maximum transfer rate} = \frac{1}{\{-C_b \times R_b \times \ln(1 - \frac{2.0}{V_b})\} \times 3} \text{ [bps]}$$

$$\text{Baud rate error (theoretical value)} = \frac{\frac{1}{\text{Transfer rate} \times 2} - \{-C_b \times R_b \times \ln(1 - \frac{2.0}{V_b})\}}{(\frac{1}{\text{Transfer rate}}) \times \text{Number of transferred bits}} \times 100 \text{ [%]}$$

\* This value is the theoretical value of the relative difference between the transmission and reception sides.

4. This value as an example is calculated when the conditions described in the “Conditions” column are met. Refer to Note 3 above to calculate the maximum transfer rate under conditions of the customer.
5. Use it with E<sub>VDD0</sub> ≥ V<sub>b</sub>.
6. The smaller maximum transfer rate derived by using f<sub>MCK</sub>/6 or the following expression is the valid maximum transfer rate.

Expression for calculating the transfer rate when 1.8 V ≤ E<sub>VDD0</sub> < 3.3 V and 1.6 V ≤ V<sub>b</sub> ≤ 2.0 V

$$\text{Maximum transfer rate} = \frac{1}{\{-C_b \times R_b \times \ln(1 - \frac{1.5}{V_b})\} \times 3} \text{ [bps]}$$

$$\text{Baud rate error (theoretical value)} = \frac{\frac{1}{\text{Transfer rate} \times 2} - \{-C_b \times R_b \times \ln(1 - \frac{1.5}{V_b})\}}{(\frac{1}{\text{Transfer rate}}) \times \text{Number of transferred bits}} \times 100 \text{ [%]}$$

\* This value is the theoretical value of the relative difference between the transmission and reception sides.

7. This value as an example is calculated when the conditions described in the “Conditions” column are met. Refer to Note 6 above to calculate the maximum transfer rate under conditions of the customer.

**Caution** Select the TTL input buffer for the RxDq pin and the N-ch open drain output (V<sub>DD</sub> tolerance (When 20- to 52-pin products)/E<sub>VDD</sub> tolerance (When 64- to 128-pin products)) mode for the TxDq pin by using port input mode register g (PIMg) and port output mode register g (POMg). For V<sub>IH</sub> and V<sub>IL</sub>, see the DC characteristics with TTL input buffer selected.

**UART mode connection diagram (during communication at different potential)**



### UART mode bit width (during communication at different potential) (reference)



- Remarks 1.**  $R_b[\Omega]$ : Communication line (TxDq) pull-up resistance,  
 $C_b[F]$ : Communication line (TxDq) load capacitance,  $V_b[V]$ : Communication line voltage
- 2.**  $q$ : UART number ( $q = 0$  to  $3$ ),  $g$ : PIM and POM number ( $g = 0, 1, 8, 14$ )
- 3.**  $f_{MCK}$ : Serial array unit operation clock frequency  
 (Operation clock to be set by the CKSmn bit of serial mode register mn (SMRmn).  
 $m$ : Unit number,  $n$ : Channel number ( $mn = 00$  to  $03, 10$  to  $13$ ))
- 4.** UART2 cannot communicate at different potential when bit 1 (PIOR1) of peripheral I/O redirection register (PIOR) is 1.

**(7) Communication at different potential (2.5 V, 3 V) (CSI mode) (master mode, SCKp... internal clock output, corresponding CSI00 only) (1/2)****( $T_A = -40$  to  $+85^\circ\text{C}$ ,  $2.7\text{ V} \leq \text{EV}_{\text{DD0}} \leq \text{EV}_{\text{DD1}} \leq \text{V}_{\text{DD}} \leq 5.5\text{ V}$ ,  $\text{V}_{\text{SS}} = \text{EV}_{\text{SS0}} = \text{EV}_{\text{SS1}} = 0\text{ V}$ )**

| Parameter   | Symbol            | Conditions   | HS (high-speed main) Mode |      | LS (low-speed main) Mode  |      | LV (low-voltage main) Mode |      | Unit |
|---|-------------------|--|---------------------------|------|---------------------------|------|----------------------------|------|------|
|   |                   |  | MIN.                      | MAX. | MIN.                      | MAX. | MIN.                       | MAX. |      |
| SCKp cycle time   | $t_{\text{KCY1}}$ | $t_{\text{KCY1}} \geq 2/f_{\text{CLK}}$<br>$4.0\text{ V} \leq \text{EV}_{\text{DD0}} \leq 5.5\text{ V}$ ,<br>$2.7\text{ V} \leq \text{V}_b \leq 4.0\text{ V}$ ,<br>$C_b = 20\text{ pF}$ , $R_b = 1.4\text{ k}\Omega$ | 200                       |      | 1150                      |      | 1150                       |      | ns   |
|   |                   |  | 300                       |      | 1150                      |      | 1150                       |      | ns   |
| SCKp high-level width   | $t_{\text{KH1}}$  | $4.0\text{ V} \leq \text{EV}_{\text{DD0}} \leq 5.5\text{ V}$ ,<br>$2.7\text{ V} \leq \text{V}_b \leq 4.0\text{ V}$ ,<br>$C_b = 20\text{ pF}$ , $R_b = 1.4\text{ k}\Omega$  | $t_{\text{KCY1}}/2 - 50$  |      | $t_{\text{KCY1}}/2 - 50$  |      | $t_{\text{KCY1}}/2 - 50$   |      | ns   |
|   |                   |  | $t_{\text{KCY1}}/2 - 120$ |      | $t_{\text{KCY1}}/2 - 120$ |      | $t_{\text{KCY1}}/2 - 120$  |      | ns   |
| SCKp low-level width  | $t_{\text{KL1}}$  | $4.0\text{ V} \leq \text{EV}_{\text{DD0}} \leq 5.5\text{ V}$ ,<br>$2.7\text{ V} \leq \text{V}_b \leq 4.0\text{ V}$ ,<br>$C_b = 20\text{ pF}$ , $R_b = 1.4\text{ k}\Omega$  | $t_{\text{KCY1}}/2 - 7$   |      | $t_{\text{KCY1}}/2 - 50$  |      | $t_{\text{KCY1}}/2 - 50$   |      | ns   |
|   |                   |  | $t_{\text{KCY1}}/2 - 10$  |      | $t_{\text{KCY1}}/2 - 50$  |      | $t_{\text{KCY1}}/2 - 50$   |      | ns   |
| Slp setup time (to SCKp $\uparrow$ ) <sup>Note 1</sup>            | $t_{\text{SIK1}}$ | $4.0\text{ V} \leq \text{EV}_{\text{DD0}} \leq 5.5\text{ V}$ ,<br>$2.7\text{ V} \leq \text{V}_b \leq 4.0\text{ V}$ ,<br>$C_b = 20\text{ pF}$ , $R_b = 1.4\text{ k}\Omega$  | 58                        |      | 479                       |      | 479                        |      | ns   |
|   |                   |  | 121                       |      | 479                       |      | 479                        |      | ns   |
| Slp hold time (from SCKp $\uparrow$ ) <sup>Note 1</sup>           | $t_{\text{SH1}}$  | $4.0\text{ V} \leq \text{EV}_{\text{DD0}} \leq 5.5\text{ V}$ ,<br>$2.7\text{ V} \leq \text{V}_b \leq 4.0\text{ V}$ ,<br>$C_b = 20\text{ pF}$ , $R_b = 1.4\text{ k}\Omega$  | 10                        |      | 10                        |      | 10                         |      | ns   |
|   |                   |  | 10                        |      | 10                        |      | 10                         |      | ns   |
| Delay time from SCKp $\downarrow$ to SOP output <sup>Note 1</sup> | $t_{\text{KSO1}}$ | $4.0\text{ V} \leq \text{EV}_{\text{DD0}} \leq 5.5\text{ V}$ ,<br>$2.7\text{ V} \leq \text{V}_b \leq 4.0\text{ V}$ ,<br>$C_b = 20\text{ pF}$ , $R_b = 1.4\text{ k}\Omega$  |                           | 60   |                           | 60   |                            | 60   | ns   |
|   |                   |  |                           | 130  |                           | 130  |                            | 130  | ns   |

(Notes, Caution, and Remarks are listed on the next page.)

**(7) Communication at different potential (2.5 V, 3 V) (CSI mode) (master mode, SCKp... internal clock output, corresponding CSI00 only) (2/2)****( $T_A = -40$  to  $+85^\circ\text{C}$ ,  $2.7\text{ V} \leq \text{EV}_{\text{DD}0} = \text{EV}_{\text{DD}1} \leq \text{V}_{\text{DD}} \leq 5.5\text{ V}$ ,  $\text{V}_{\text{SS}} = \text{EV}_{\text{SS}0} = \text{EV}_{\text{SS}1} = 0\text{ V}$ )**

| Parameter   | Symbol            | Conditions  | HS (high-speed main) Mode |      | LS (low-speed main) Mode |      | LV (low-voltage main) Mode |      | Unit |
|---|-------------------|---|---------------------------|------|--------------------------|------|----------------------------|------|------|
|   |                   |   | MIN.                      | MAX. | MIN.                     | MAX. | MIN.                       | MAX. |      |
| Slp setup time<br>(to SCKp $\downarrow$ ) <sup>Note 2</sup>                     | $t_{\text{SIK}1}$ | $4.0\text{ V} \leq \text{EV}_{\text{DD}0} \leq 5.5\text{ V}$ ,<br>$2.7\text{ V} \leq \text{V}_b \leq 4.0\text{ V}$ ,<br>$\text{C}_b = 20\text{ pF}$ , $\text{R}_b = 1.4\text{ k}\Omega$ | 23                        |      | 110                      |      | 110                        |      | ns   |
|   |                   | $2.7\text{ V} \leq \text{EV}_{\text{DD}0} < 4.0\text{ V}$ ,<br>$2.3\text{ V} \leq \text{V}_b \leq 2.7\text{ V}$ ,<br>$\text{C}_b = 20\text{ pF}$ , $\text{R}_b = 2.7\text{ k}\Omega$    | 33                        |      | 110                      |      | 110                        |      | ns   |
| Slp hold time<br>(from SCKp $\downarrow$ ) <sup>Note 2</sup>                    | $t_{\text{KSI}1}$ | $4.0\text{ V} \leq \text{EV}_{\text{DD}0} \leq 5.5\text{ V}$ ,<br>$2.7\text{ V} \leq \text{V}_b \leq 4.0\text{ V}$ ,<br>$\text{C}_b = 20\text{ pF}$ , $\text{R}_b = 1.4\text{ k}\Omega$ | 10                        |      | 10                       |      | 10                         |      | ns   |
|   |                   | $2.7\text{ V} \leq \text{EV}_{\text{DD}0} < 4.0\text{ V}$ ,<br>$2.3\text{ V} \leq \text{V}_b \leq 2.7\text{ V}$ ,<br>$\text{C}_b = 20\text{ pF}$ , $\text{R}_b = 2.7\text{ k}\Omega$    | 10                        |      | 10                       |      | 10                         |      | ns   |
| Delay time from SCKp $\uparrow$<br>to<br>SO $\uparrow$ output <sup>Note 2</sup> | $t_{\text{KSO}1}$ | $4.0\text{ V} \leq \text{EV}_{\text{DD}0} \leq 5.5\text{ V}$ ,<br>$2.7\text{ V} \leq \text{V}_b \leq 4.0\text{ V}$ ,<br>$\text{C}_b = 20\text{ pF}$ , $\text{R}_b = 1.4\text{ k}\Omega$ |                           | 10   | 10                       |      | 10                         |      | ns   |
|   |                   | $2.7\text{ V} \leq \text{EV}_{\text{DD}0} < 4.0\text{ V}$ ,<br>$2.3\text{ V} \leq \text{V}_b \leq 2.7\text{ V}$ ,<br>$\text{C}_b = 20\text{ pF}$ , $\text{R}_b = 2.7\text{ k}\Omega$    |                           | 10   | 10                       |      | 10                         |      | ns   |

**Notes** 1. When  $\text{DAP}_{\text{mn}} = 0$  and  $\text{CKP}_{\text{mn}} = 0$ , or  $\text{DAP}_{\text{mn}} = 1$  and  $\text{CKP}_{\text{mn}} = 1$ .2. When  $\text{DAP}_{\text{mn}} = 0$  and  $\text{CKP}_{\text{mn}} = 1$ , or  $\text{DAP}_{\text{mn}} = 1$  and  $\text{CKP}_{\text{mn}} = 0$ .

**Caution** Select the TTL input buffer for the Slp pin and the N-ch open drain output ( $\text{V}_{\text{DD}}$  tolerance (When 20- to 52-pin products)/ $\text{EV}_{\text{DD}}$  tolerance (When 64- to 128-pin products)) mode for the SO $\uparrow$  pin and SCKp pin by using port input mode register g (PIMg) and port output mode register g (POMg). For  $\text{V}_{\text{IH}}$  and  $\text{V}_{\text{IL}}$ , see the DC characteristics with TTL input buffer selected.

- Remarks**
- $\text{R}_b[\Omega]$ : Communication line (SCKp, SO $\uparrow$ ) pull-up resistance,  $\text{C}_b[\text{F}]$ : Communication line (SCKp, SO $\uparrow$ ) load capacitance,  $\text{V}_b[\text{V}]$ : Communication line voltage
  - p: CSI number (p = 00), m: Unit number (m = 0), n: Channel number (n = 0),  
g: PIM and POM number (g = 1)
  - $f_{\text{MCK}}$ : Serial array unit operation clock frequency  
(Operation clock to be set by the  $\text{CKS}_{\text{mn}}$  bit of serial mode register mn ( $\text{SMR}_{\text{mn}}$ ). m: Unit number, n: Channel number (mn = 00))
  - This value is valid only when CSI00's peripheral I/O redirect function is not used.

**(8) Communication at different potential (1.8 V, 2.5 V, 3 V) (CSI mode) (master mode, SCKp... internal clock output) (1/3)**  
**( $T_A = -40$  to  $+85^\circ\text{C}$ ,  $1.8\text{ V} \leq EV_{DD0} = EV_{DD1} \leq V_{DD} \leq 5.5\text{ V}$ ,  $V_{SS} = EV_{SS0} = EV_{SS1} = 0\text{ V}$ )**

| Parameter             | Symbol     | Conditions  | HS (high-speed main) Mode   |      | LS (low-speed main) Mode |      | LV (low-voltage main) Mode |      | Unit |    |
|-----------------------|------------|---|---|------|--------------------------|------|----------------------------|------|------|----|
|                       |            |   | MIN.  | MAX. | MIN.                     | MAX. | MIN.                       | MAX. |      |    |
| SCKp cycle time       | $t_{KCY1}$ | $t_{KCY1} \geq 4/f_{CLK}$   | $4.0\text{ V} \leq EV_{DD0} \leq 5.5\text{ V}$ ,<br>$2.7\text{ V} \leq V_b \leq 4.0\text{ V}$ ,<br>$C_b = 30\text{ pF}$ , $R_b = 1.4\text{ k}\Omega$              | 300  |                          | 1150 |                            | 1150 |      | ns |
|                       |            |   | $2.7\text{ V} \leq EV_{DD0} < 4.0\text{ V}$ ,<br>$2.3\text{ V} \leq V_b \leq 2.7\text{ V}$ ,<br>$C_b = 30\text{ pF}$ , $R_b = 2.7\text{ k}\Omega$                 | 500  |                          | 1150 |                            | 1150 |      | ns |
|                       |            |   | $1.8\text{ V} \leq EV_{DD0} < 3.3\text{ V}$ ,<br>$1.6\text{ V} \leq V_b \leq 2.0\text{ V}$ <sup>Note</sup> ,<br>$C_b = 30\text{ pF}$ , $R_b = 5.5\text{ k}\Omega$ | 1150 |                          | 1150 |                            | 1150 |      | ns |
| SCKp high-level width | $t_{KH1}$  | $4.0\text{ V} \leq EV_{DD0} \leq 5.5\text{ V}$ ,<br>$2.7\text{ V} \leq V_b \leq 4.0\text{ V}$ ,<br>$C_b = 30\text{ pF}$ , $R_b = 1.4\text{ k}\Omega$              | $t_{KCY1}/2 - 75$   |      | $t_{KCY1}/2 - 75$        |      | $t_{KCY1}/2 - 75$          |      | ns   |    |
|                       |            | $2.7\text{ V} \leq EV_{DD0} < 4.0\text{ V}$ ,<br>$2.3\text{ V} \leq V_b \leq 2.7\text{ V}$ ,<br>$C_b = 30\text{ pF}$ , $R_b = 2.7\text{ k}\Omega$                 | $t_{KCY1}/2 - 170$  |      | $t_{KCY1}/2 - 170$       |      | $t_{KCY1}/2 - 170$         |      | ns   |    |
|                       |            | $1.8\text{ V} \leq EV_{DD0} < 3.3\text{ V}$ ,<br>$1.6\text{ V} \leq V_b \leq 2.0\text{ V}$ <sup>Note</sup> ,<br>$C_b = 30\text{ pF}$ , $R_b = 5.5\text{ k}\Omega$ | $t_{KCY1}/2 - 458$  |      | $t_{KCY1}/2 - 458$       |      | $t_{KCY1}/2 - 458$         |      | ns   |    |
| SCKp low-level width  | $t_{KL1}$  | $4.0\text{ V} \leq EV_{DD0} \leq 5.5\text{ V}$ ,<br>$2.7\text{ V} \leq V_b \leq 4.0\text{ V}$ ,<br>$C_b = 30\text{ pF}$ , $R_b = 1.4\text{ k}\Omega$              | $t_{KCY1}/2 - 12$   |      | $t_{KCY1}/2 - 50$        |      | $t_{KCY1}/2 - 50$          |      | ns   |    |
|                       |            | $2.7\text{ V} \leq EV_{DD0} < 4.0\text{ V}$ ,<br>$2.3\text{ V} \leq V_b \leq 2.7\text{ V}$ ,<br>$C_b = 30\text{ pF}$ , $R_b = 2.7\text{ k}\Omega$                 | $t_{KCY1}/2 - 18$   |      | $t_{KCY1}/2 - 50$        |      | $t_{KCY1}/2 - 50$          |      | ns   |    |
|                       |            | $1.8\text{ V} \leq EV_{DD0} < 3.3\text{ V}$ ,<br>$1.6\text{ V} \leq V_b \leq 2.0\text{ V}$ <sup>Note</sup> ,<br>$C_b = 30\text{ pF}$ , $R_b = 5.5\text{ k}\Omega$ | $t_{KCY1}/2 - 50$   |      | $t_{KCY1}/2 - 50$        |      | $t_{KCY1}/2 - 50$          |      | ns   |    |

**Note** Use it with  $EV_{DD0} \geq V_b$ .

**Caution** Select the TTL input buffer for the Slp pin and the N-ch open drain output ( $V_{DD}$  tolerance (When 20- to 52-pin products)/ $EV_{DD}$  tolerance (When 64- to 128-pin products)) mode for the SOp pin and SCKp pin by using port input mode register g (PIMg) and port output mode register g (POMg). For  $V_{IH}$  and  $V_{IL}$ , see the DC characteristics with TTL input buffer selected.

(Remarks are listed two pages after the next page.)

**(8) Communication at different potential (1.8 V, 2.5 V, 3 V) (CSI mode) (master mode, SCKp... internal clock output) (2/3)**  
**( $T_A = -40$  to  $+85^\circ\text{C}$ ,  $1.8\text{ V} \leq \text{EV}_{\text{DD0}} = \text{EV}_{\text{DD1}} \leq \text{V}_{\text{DD}} \leq 5.5\text{ V}$ ,  $\text{V}_{\text{SS}} = \text{EV}_{\text{SS0}} = \text{EV}_{\text{SS1}} = 0\text{ V}$ )**

| Parameter   | Symbol            | Conditions   | HS (high-speed main) Mode |      | LS (low-speed main) Mode |      | LV (low-voltage main) Mode |      | Unit |
|---|-------------------|--|---------------------------|------|--------------------------|------|----------------------------|------|------|
|   |                   |  | MIN.                      | MAX. | MIN.                     | MAX. | MIN.                       | MAX. |      |
| Slp setup time (to SCKp $\uparrow$ ) <sup>Note 1</sup>            | $t_{\text{SIK1}}$ | $4.0\text{ V} \leq \text{EV}_{\text{DD0}} \leq 5.5\text{ V}$ ,<br>$2.7\text{ V} \leq \text{V}_b \leq 4.0\text{ V}$ ,<br>$\text{C}_b = 30\text{ pF}$ , $\text{R}_b = 1.4\text{ k}\Omega$                | 81                        |      | 479                      |      | 479                        |      | ns   |
|   |                   | $2.7\text{ V} \leq \text{EV}_{\text{DD0}} < 4.0\text{ V}$ ,<br>$2.3\text{ V} \leq \text{V}_b \leq 2.7\text{ V}$ ,<br>$\text{C}_b = 30\text{ pF}$ , $\text{R}_b = 2.7\text{ k}\Omega$                   | 177                       |      | 479                      |      | 479                        |      | ns   |
|   |                   | $1.8\text{ V} \leq \text{EV}_{\text{DD0}} < 3.3\text{ V}$ ,<br>$1.6\text{ V} \leq \text{V}_b \leq 2.0\text{ V}$ <sup>Note 2</sup> ,<br>$\text{C}_b = 30\text{ pF}$ , $\text{R}_b = 5.5\text{ k}\Omega$ | 479                       |      | 479                      |      | 479                        |      | ns   |
| Slp hold time (from SCKp $\uparrow$ ) <sup>Note 1</sup>           | $t_{\text{KSI1}}$ | $4.0\text{ V} \leq \text{EV}_{\text{DD0}} \leq 5.5\text{ V}$ ,<br>$2.7\text{ V} \leq \text{V}_b \leq 4.0\text{ V}$ ,<br>$\text{C}_b = 30\text{ pF}$ , $\text{R}_b = 1.4\text{ k}\Omega$                | 19                        |      | 19                       |      | 19                         |      | ns   |
|   |                   | $2.7\text{ V} \leq \text{EV}_{\text{DD0}} < 4.0\text{ V}$ ,<br>$2.3\text{ V} \leq \text{V}_b \leq 2.7\text{ V}$ ,<br>$\text{C}_b = 30\text{ pF}$ , $\text{R}_b = 2.7\text{ k}\Omega$                   | 19                        |      | 19                       |      | 19                         |      | ns   |
|   |                   | $1.8\text{ V} \leq \text{EV}_{\text{DD0}} < 3.3\text{ V}$ ,<br>$1.6\text{ V} \leq \text{V}_b \leq 2.0\text{ V}$ <sup>Note 2</sup> ,<br>$\text{C}_b = 30\text{ pF}$ , $\text{R}_b = 5.5\text{ k}\Omega$ | 19                        |      | 19                       |      | 19                         |      | ns   |
| Delay time from SCKp $\downarrow$ to SOp output <sup>Note 1</sup> | $t_{\text{KSO1}}$ | $4.0\text{ V} \leq \text{EV}_{\text{DD0}} \leq 5.5\text{ V}$ ,<br>$2.7\text{ V} \leq \text{V}_b \leq 4.0\text{ V}$ ,<br>$\text{C}_b = 30\text{ pF}$ , $\text{R}_b = 1.4\text{ k}\Omega$                |                           | 100  |                          | 100  |                            | 100  | ns   |
|   |                   | $2.7\text{ V} \leq \text{EV}_{\text{DD0}} < 4.0\text{ V}$ ,<br>$2.3\text{ V} \leq \text{V}_b \leq 2.7\text{ V}$ ,<br>$\text{C}_b = 30\text{ pF}$ , $\text{R}_b = 2.7\text{ k}\Omega$                   |                           | 195  |                          | 195  |                            | 195  | ns   |
|   |                   | $1.8\text{ V} \leq \text{EV}_{\text{DD0}} < 3.3\text{ V}$ ,<br>$1.6\text{ V} \leq \text{V}_b \leq 2.0\text{ V}$ <sup>Note 2</sup> ,<br>$\text{C}_b = 30\text{ pF}$ , $\text{R}_b = 5.5\text{ k}\Omega$ |                           | 483  |                          | 483  |                            | 483  | ns   |

- Notes**
1. When  $\text{DAPmn} = 0$  and  $\text{CKPmn} = 0$ , or  $\text{DAPmn} = 1$  and  $\text{CKPmn} = 1$ .
  2. Use it with  $\text{EV}_{\text{DD0}} \geq \text{V}_b$ .

**Caution** Select the TTL input buffer for the Slp pin and the N-ch open drain output ( $\text{V}_{\text{DD}}$  tolerance (When 20- to 52-pin products)/ $\text{EV}_{\text{DD}}$  tolerance (When 64- to 128-pin products)) mode for the SOp pin and SCKp pin by using port input mode register g (PIMg) and port output mode register g (POMg). For  $\text{V}_{\text{IH}}$  and  $\text{V}_{\text{IL}}$ , see the DC characteristics with TTL input buffer selected.

(Remarks are listed on the page after the next page.)

**(8) Communication at different potential (1.8 V, 2.5 V, 3 V) (CSI mode) (master mode, SCKp... internal clock output) (3/3)**  
**( $T_A = -40$  to  $+85^\circ\text{C}$ ,  $1.8\text{ V} \leq \text{EV}_{\text{DD0}} = \text{EV}_{\text{DD1}} \leq \text{V}_{\text{DD}} \leq 5.5\text{ V}$ ,  $\text{V}_{\text{SS}} = \text{EV}_{\text{SS0}} = \text{EV}_{\text{SS1}} = 0\text{ V}$ )**

| Parameter   | Symbol            | Conditions   | HS (high-speed main) Mode |      | LS (low-speed main) Mode |      | LV (low-voltage main) Mode |      | Unit |
|---|-------------------|--|---------------------------|------|--------------------------|------|----------------------------|------|------|
|   |                   |  | MIN.                      | MAX. | MIN.                     | MAX. | MIN.                       | MAX. |      |
| Slp setup time (to SCKp↓) <sup>Note 1</sup>           | $t_{\text{SIK1}}$ | $4.0\text{ V} \leq \text{EV}_{\text{DD0}} \leq 5.5\text{ V}$ ,<br>$2.7\text{ V} \leq \text{V}_b \leq 4.0\text{ V}$ ,<br>$\text{C}_b = 30\text{ pF}$ , $\text{R}_b = 1.4\text{ k}\Omega$                | 44                        |      | 110                      |      | 110                        |      | ns   |
|   |                   | $2.7\text{ V} \leq \text{EV}_{\text{DD0}} < 4.0\text{ V}$ ,<br>$2.3\text{ V} \leq \text{V}_b \leq 2.7\text{ V}$ ,<br>$\text{C}_b = 30\text{ pF}$ , $\text{R}_b = 2.7\text{ k}\Omega$                   | 44                        |      | 110                      |      | 110                        |      | ns   |
|   |                   | $1.8\text{ V} \leq \text{EV}_{\text{DD0}} < 3.3\text{ V}$ ,<br>$1.6\text{ V} \leq \text{V}_b \leq 2.0\text{ V}$ <sup>Note 2</sup> ,<br>$\text{C}_b = 30\text{ pF}$ , $\text{R}_b = 5.5\text{ k}\Omega$ | 110                       |      | 110                      |      | 110                        |      | ns   |
| Slp hold time (from SCKp↓) <sup>Note 1</sup>          | $t_{\text{KSI1}}$ | $4.0\text{ V} \leq \text{EV}_{\text{DD0}} \leq 5.5\text{ V}$ ,<br>$2.7\text{ V} \leq \text{V}_b \leq 4.0\text{ V}$ ,<br>$\text{C}_b = 30\text{ pF}$ , $\text{R}_b = 1.4\text{ k}\Omega$                | 19                        |      | 19                       |      | 19                         |      | ns   |
|   |                   | $2.7\text{ V} \leq \text{EV}_{\text{DD0}} < 4.0\text{ V}$ ,<br>$2.3\text{ V} \leq \text{V}_b \leq 2.7\text{ V}$ ,<br>$\text{C}_b = 30\text{ pF}$ , $\text{R}_b = 2.7\text{ k}\Omega$                   | 19                        |      | 19                       |      | 19                         |      | ns   |
|   |                   | $1.8\text{ V} \leq \text{EV}_{\text{DD0}} < 3.3\text{ V}$ ,<br>$1.6\text{ V} \leq \text{V}_b \leq 2.0\text{ V}$ <sup>Note 2</sup> ,<br>$\text{C}_b = 30\text{ pF}$ , $\text{R}_b = 5.5\text{ k}\Omega$ | 19                        |      | 19                       |      | 19                         |      | ns   |
| Delay time from SCKp↑ to SOp output <sup>Note 1</sup> | $t_{\text{KSO1}}$ | $4.0\text{ V} \leq \text{EV}_{\text{DD0}} \leq 5.5\text{ V}$ ,<br>$2.7\text{ V} \leq \text{V}_b \leq 4.0\text{ V}$ ,<br>$\text{C}_b = 30\text{ pF}$ , $\text{R}_b = 1.4\text{ k}\Omega$                |                           | 25   |                          | 25   |                            | 25   | ns   |
|   |                   | $2.7\text{ V} \leq \text{EV}_{\text{DD0}} < 4.0\text{ V}$ ,<br>$2.3\text{ V} \leq \text{V}_b \leq 2.7\text{ V}$ ,<br>$\text{C}_b = 30\text{ pF}$ , $\text{R}_b = 2.7\text{ k}\Omega$                   |                           | 25   |                          | 25   |                            | 25   | ns   |
|   |                   | $1.8\text{ V} \leq \text{EV}_{\text{DD0}} < 3.3\text{ V}$ ,<br>$1.6\text{ V} \leq \text{V}_b \leq 2.0\text{ V}$ <sup>Note 2</sup> ,<br>$\text{C}_b = 30\text{ pF}$ , $\text{R}_b = 5.5\text{ k}\Omega$ |                           | 25   |                          | 25   |                            | 25   | ns   |

- Notes**
1. When  $\text{DAPmn} = 0$  and  $\text{CKPmn} = 1$ , or  $\text{DAPmn} = 1$  and  $\text{CKPmn} = 0$ .
  2. Use it with  $\text{EV}_{\text{DD0}} \geq \text{V}_b$ .

**Caution** Select the TTL input buffer for the Slp pin and the N-ch open drain output ( $\text{V}_{\text{DD}}$  tolerance (When 20- to 52-pin products)/ $\text{EV}_{\text{DD}}$  tolerance (When 64- to 128-pin products)) mode for the SOp pin and SCKp pin by using port input mode register g (PIMg) and port output mode register g (POMg). For  $\text{V}_{\text{IH}}$  and  $\text{V}_{\text{IL}}$ , see the DC characteristics with TTL input buffer selected.

(Remarks are listed on the next page.)



**CSI mode connection diagram (during communication at different potential)**

- Remarks**
- $R_b[\Omega]$ : Communication line (SCKp, SOp) pull-up resistance,  $C_b[\text{F}]$ : Communication line (SCKp, SOp) load capacitance,  $V_b[\text{V}]$ : Communication line voltage
  - p: CSI number ( $p = 00, 01, 10, 20, 30, 31$ ), m: Unit number, n: Channel number ( $mn = 00, 01, 02, 10, 12, 13$ ), g: PIM and POM number ( $g = 0, 1, 4, 5, 8, 14$ )
  - $f_{\text{MCK}}$ : Serial array unit operation clock frequency  
(Operation clock to be set by the CKSmn bit of serial mode register mn (SMRmn).  
m: Unit number, n: Channel number ( $mn = 00$ ))
  - CSI01 of 48-, 52-, 64-pin products, and CSI11 and CSI21 cannot communicate at different potential. Use other CSI for communication at different potential.

**CSI mode serial transfer timing (master mode) (during communication at different potential)**  
**(When DAPmn = 0 and CKPmn = 0, or DAPmn = 1 and CKPmn = 1.)**



**CSI mode serial transfer timing (master mode) (during communication at different potential)**  
**(When DAPmn = 0 and CKPmn = 1, or DAPmn = 1 and CKPmn = 0.)**



- Remarks**
1. p: CSI number (p = 00, 01, 10, 20, 30, 31), m: Unit number, n: Channel number (mn = 00, 01, 02, 10, 12, 13), g: PIM and POM number (g = 0, 1, 4, 5, 8, 14)
  2. CSI01 of 48-, 52-, 64-pin products, and CSI11 and CSI21 cannot communicate at different potential. Use other CSI for communication at different potential.

**(9) Communication at different potential (1.8 V, 2.5 V, 3 V) (CSI mode) (slave mode, SCKp... external clock input)**  
**(T<sub>A</sub> = -40 to +85°C, 1.8 V ≤ EV<sub>DD0</sub> = EV<sub>DD1</sub> ≤ V<sub>DD</sub> ≤ 5.5 V, V<sub>SS</sub> = EV<sub>SS0</sub> = EV<sub>SS1</sub> = 0 V) (1/2)**

| Parameter                         | Symbol            | Conditions   |                                    | HS (high-speed main) Mode |      | LS (low-speed main) Mode |      | LV (low-voltage main) Mode |      | Unit |
|-----------------------------------|-------------------|--|------------------------------------|---------------------------|------|--------------------------|------|----------------------------|------|------|
|                                   |                   |  |                                    | MIN.                      | MAX. | MIN.                     | MAX. | MIN.                       | MAX. |      |
| SCKp cycle time <sup>Note 1</sup> | t <sub>KCY2</sub> | 4.0 V ≤ EV <sub>DD0</sub> ≤ 5.5 V,<br>2.7 V ≤ V <sub>b</sub> ≤ 4.0 V                   | 24 MHz < f <sub>MCK</sub>          | 14/<br>f <sub>MCK</sub>   |      | –                        |      | –                          |      | ns   |
|                                   |                   |  | 20 MHz < f <sub>MCK</sub> ≤ 24 MHz | 12/<br>f <sub>MCK</sub>   |      | –                        |      | –                          |      | ns   |
|                                   |                   |  | 8 MHz < f <sub>MCK</sub> ≤ 20 MHz  | 10/<br>f <sub>MCK</sub>   |      | –                        |      | –                          |      | ns   |
|                                   |                   |  | 4 MHz < f <sub>MCK</sub> ≤ 8 MHz   | 8/f <sub>MCK</sub>        |      | 16/<br>f <sub>MCK</sub>  |      | –                          |      | ns   |
|                                   |                   |  | f <sub>MCK</sub> ≤ 4 MHz           | 6/f <sub>MCK</sub>        |      | 10/<br>f <sub>MCK</sub>  |      | 10/<br>f <sub>MCK</sub>    |      | ns   |
|                                   |                   | 2.7 V ≤ EV <sub>DD0</sub> < 4.0 V,<br>2.3 V ≤ V <sub>b</sub> ≤ 2.7 V                   | 24 MHz < f <sub>MCK</sub>          | 20/<br>f <sub>MCK</sub>   |      | –                        |      | –                          |      | ns   |
|                                   |                   |  | 20 MHz < f <sub>MCK</sub> ≤ 24 MHz | 16/<br>f <sub>MCK</sub>   |      | –                        |      | –                          |      | ns   |
|                                   |                   |  | 16 MHz < f <sub>MCK</sub> ≤ 20 MHz | 14/<br>f <sub>MCK</sub>   |      | –                        |      | –                          |      | ns   |
|                                   |                   |  | 8 MHz < f <sub>MCK</sub> ≤ 16 MHz  | 12/<br>f <sub>MCK</sub>   |      | –                        |      | –                          |      | ns   |
|                                   |                   |  | 4 MHz < f <sub>MCK</sub> ≤ 8 MHz   | 8/f <sub>MCK</sub>        |      | 16/<br>f <sub>MCK</sub>  |      | –                          |      | ns   |
|                                   |                   |  | f <sub>MCK</sub> ≤ 4 MHz           | 6/f <sub>MCK</sub>        |      | 10/<br>f <sub>MCK</sub>  |      | 10/<br>f <sub>MCK</sub>    |      | ns   |
|                                   |                   | 1.8 V ≤ EV <sub>DD0</sub> < 3.3 V,<br>1.6 V ≤ V <sub>b</sub> ≤ 2.0 V <sup>Note 2</sup> | 24 MHz < f <sub>MCK</sub>          | 48/<br>f <sub>MCK</sub>   |      | –                        |      | –                          |      | ns   |
|                                   |                   |  | 20 MHz < f <sub>MCK</sub> ≤ 24 MHz | 36/<br>f <sub>MCK</sub>   |      | –                        |      | –                          |      | ns   |
|                                   |                   |  | 16 MHz < f <sub>MCK</sub> ≤ 20 MHz | 32/<br>f <sub>MCK</sub>   |      | –                        |      | –                          |      | ns   |
|                                   |                   |  | 8 MHz < f <sub>MCK</sub> ≤ 16 MHz  | 26/<br>f <sub>MCK</sub>   |      | –                        |      | –                          |      | ns   |
|                                   |                   |  | 4 MHz < f <sub>MCK</sub> ≤ 8 MHz   | 16/<br>f <sub>MCK</sub>   |      | 16/<br>f <sub>MCK</sub>  |      | –                          |      | ns   |
|                                   |                   |  | f <sub>MCK</sub> ≤ 4 MHz           | 10/<br>f <sub>MCK</sub>   |      | 10/<br>f <sub>MCK</sub>  |      | 10/<br>f <sub>MCK</sub>    |      | ns   |

(Notes and Caution are listed on the next page, and Remarks are listed on the page after the next page.)

**(9) Communication at different potential (1.8 V, 2.5 V, 3 V) (CSI mode) (slave mode, SCKp... external clock input)**  
**(T<sub>A</sub> = -40 to +85°C, 1.8 V ≤ EV<sub>DD0</sub> = EV<sub>DD1</sub> ≤ V<sub>DD</sub> ≤ 5.5 V, V<sub>SS</sub> = EV<sub>SS0</sub> = EV<sub>SS1</sub> = 0 V) (2/2)**

| Parameter   | Symbol                                 | Conditions  | HS (high-speed main) Mode    |                             | LS (low-speed main) Mode     |                             | LV (low-voltage main) Mode   |                             | Unit |
|---|--|---|------------------------------|-----------------------------|------------------------------|-----------------------------|------------------------------|-----------------------------|------|
|   |  |   | MIN.                         | MAX.                        | MIN.                         | MAX.                        | MIN.                         | MAX.                        |      |
| SCKp high-/low-level width                                  | t <sub>KH2</sub> ,<br>t <sub>KL2</sub> | 4.0 V ≤ EV <sub>DD0</sub> ≤ 5.5 V,<br>2.7 V ≤ V <sub>b</sub> ≤ 4.0 V  | t <sub>KCY2</sub> /2 –<br>12 |                             | t <sub>KCY2</sub> /2<br>– 50 |                             | t <sub>KCY2</sub> /2<br>– 50 |                             | ns   |
|   |  | 2.7 V ≤ EV <sub>DD0</sub> < 4.0 V,<br>2.3 V ≤ V <sub>b</sub> ≤ 2.7 V  | t <sub>KCY2</sub> /2 –<br>18 |                             | t <sub>KCY2</sub> /2<br>– 50 |                             | t <sub>KCY2</sub> /2<br>– 50 |                             | ns   |
|   |  | 1.8 V ≤ EV <sub>DD0</sub> < 3.3 V,<br>1.6 V ≤ V <sub>b</sub> ≤ 2.0 V <sup>Note 2</sup>  | t <sub>KCY2</sub> /2 –<br>50 |                             | t <sub>KCY2</sub> /2<br>– 50 |                             | t <sub>KCY2</sub> /2<br>– 50 |                             | ns   |
| Slp setup time<br>(to SCKp↑) <sup>Note 3</sup>              | t <sub>SIK2</sub>                      | 4.0 V ≤ EV <sub>DD0</sub> ≤ 5.5 V,<br>2.7 V ≤ V <sub>b</sub> ≤ 4.0 V  | 1/f <sub>MCK</sub><br>+ 20   |                             | 1/f <sub>MCK</sub><br>+ 30   |                             | 1/f <sub>MCK</sub><br>+ 30   |                             | ns   |
|   |  | 2.7 V ≤ EV <sub>DD0</sub> < 4.0 V,<br>2.3 V ≤ V <sub>b</sub> ≤ 2.7 V  | 1/f <sub>MCK</sub><br>+ 20   |                             | 1/f <sub>MCK</sub><br>+ 30   |                             | 1/f <sub>MCK</sub><br>+ 30   |                             | ns   |
|   |  | 1.8 V ≤ EV <sub>DD0</sub> < 3.3 V,<br>1.6 V ≤ V <sub>b</sub> ≤ 2.0 V <sup>Note 2</sup>  | 1/f <sub>MCK</sub><br>+ 30   |                             | 1/f <sub>MCK</sub><br>+ 30   |                             | 1/f <sub>MCK</sub><br>+ 30   |                             | ns   |
| Slp hold time<br>(from SCKp↑) <sup>Note 4</sup>             | t <sub>SI2</sub>                       |   | 1/f <sub>MCK</sub> +<br>31   |                             | 1/f <sub>MCK</sub><br>+ 31   |                             | 1/f <sub>MCK</sub><br>+ 31   |                             | ns   |
| Delay time from<br>SCKp↓ to SOP output<br><sup>Note 5</sup> | t <sub>KSO2</sub>                      | 4.0 V ≤ EV <sub>DD0</sub> ≤ 5.5 V, 2.7 V ≤ V <sub>b</sub> ≤ 4.0 V,<br>C <sub>b</sub> = 30 pF, R <sub>b</sub> = 1.4 kΩ                       |                              | 2/f <sub>MCK</sub><br>+ 120 |                              | 2/f <sub>MCK</sub><br>+ 573 |                              | 2/f <sub>MCK</sub><br>+ 573 | ns   |
|   |  | 2.7 V ≤ EV <sub>DD0</sub> < 4.0 V, 2.3 V ≤ V <sub>b</sub> ≤ 2.7 V,<br>C <sub>b</sub> = 30 pF, R <sub>b</sub> = 2.7 kΩ                       |                              | 2/f <sub>MCK</sub><br>+ 214 |                              | 2/f <sub>MCK</sub> +<br>573 |                              | 2/f <sub>MCK</sub> +<br>573 | ns   |
|   |  | 1.8 V ≤ EV <sub>DD0</sub> < 3.3 V,<br>1.6 V ≤ V <sub>b</sub> ≤ 2.0 V <sup>Note 2</sup> ,<br>C <sub>b</sub> = 30 pF, R <sub>b</sub> = 5.5 kΩ |                              | 2/f <sub>MCK</sub><br>+ 573 |                              | 2/f <sub>MCK</sub> +<br>573 |                              | 2/f <sub>MCK</sub> +<br>573 | ns   |

**Notes** 1. Transfer rate in the SNOOZE mode : MAX. 1 Mbps

2. Use it with EV<sub>DD0</sub> ≥ V<sub>b</sub>.

3. When DAPmn = 0 and CKPmn = 0, or DAPmn = 1 and CKPmn = 1. The Slp setup time becomes “to SCKp↓” when DAPmn = 0 and CKPmn = 1, or DAPmn = 1 and CKPmn = 0.

4. When DAPmn = 0 and CKPmn = 0, or DAPmn = 1 and CKPmn = 1. The Slp hold time becomes “from SCKp↓” when DAPmn = 0 and CKPmn = 1, or DAPmn = 1 and CKPmn = 0.

5. When DAPmn = 0 and CKPmn = 0, or DAPmn = 1 and CKPmn = 1. The delay time to SOP output becomes “from SCKp↑” when DAPmn = 0 and CKPmn = 1, or DAPmn = 1 and CKPmn = 0.

**Caution** Select the TTL input buffer for the Slp pin and the N-ch open drain output (V<sub>DD</sub> tolerance (for the 20- to 52-pin products)/EV<sub>DD</sub> tolerance (for the 64- to 128-pin products)) mode for the SOP pin and SCKp pin by using port input mode register g (PIMg) and port output mode register g (POMg). For V<sub>IH</sub> and V<sub>IL</sub>, see the DC characteristics with TTL input buffer selected.

(Remarks are listed on the next page.)

**CSI mode connection diagram (during communication at different potential)**

- Remarks**
- $R_b[\Omega]$ : Communication line (SO<sub>p</sub>) pull-up resistance,  $C_b[\text{F}]$ : Communication line (SO<sub>p</sub>) load capacitance,  $V_b[\text{V}]$ : Communication line voltage
  - p: CSI number (p = 00, 01, 10, 20, 30, 31), m: Unit number, n: Channel number (mn = 00, 01, 02, 10, 12, 13), g: PIM and POM number (g = 0, 1, 4, 5, 8, 14)
  - $f_{\text{MCK}}$ : Serial array unit operation clock frequency  
(Operation clock to be set by the CKS<sub>mn</sub> bit of serial mode register mn (SMR<sub>mn</sub>).  
m: Unit number, n: Channel number (mn = 00, 01, 02, 10, 12, 13))
  - CSI01 of 48-, 52-, 64-pin products, and CSI11 and CSI21 cannot communicate at different potential. Use other CSI for communication at different potential.

**CSI mode serial transfer timing (slave mode) (during communication at different potential)**  
**(When DAPmn = 0 and CKPmn = 0, or DAPmn = 1 and CKPmn = 1.)**



**CSI mode serial transfer timing (slave mode) (during communication at different potential)**  
**(When DAPmn = 0 and CKPmn = 1, or DAPmn = 1 and CKPmn = 0.)**



- Remarks**
1. p: CSI number (p = 00, 01, 10, 20, 30, 31), m: Unit number, n: Channel number (mn = 00, 01, 02, 10, 12, 13), g: PIM and POM number (g = 0, 1, 4, 5, 8, 14)
  2. CSI01 of 48-, 52-, 64-pin products, and CSI11 and CSI21 cannot communicate at different potential. Use other CSI for communication at different potential.

(10) Communication at different potential (1.8 V, 2.5 V, 3 V) (simplified I<sup>2</sup>C mode) (1/2) $(T_A = -40$  to  $+85^\circ\text{C}$ ,  $1.8\text{ V} \leq \text{EV}_{\text{DD0}} = \text{EV}_{\text{DD1}} \leq \text{V}_{\text{DD}} \leq 5.5\text{ V}$ ,  $\text{V}_{\text{SS}} = \text{EV}_{\text{SS0}} = \text{EV}_{\text{SS1}} = 0\text{ V}$ )

| Parameter                 | Symbol            | Conditions  | HS (high-speed main) Mode |                | LS (low-speed main) Mode |               | LV (low-voltage main) Mode |               | Unit |
|---------------------------|-------------------|---|---------------------------|----------------|--------------------------|---------------|----------------------------|---------------|------|
|                           |                   |   | MIN.                      | MAX.           | MIN.                     | MAX.          | MIN.                       | MAX.          |      |
| SCLr clock frequency      | $f_{\text{SCL}}$  | $4.0\text{ V} \leq \text{EV}_{\text{DD0}} \leq 5.5\text{ V}$ ,<br>$2.7\text{ V} \leq \text{V}_b \leq 4.0\text{ V}$ ,<br>$\text{C}_b = 50\text{ pF}$ , $\text{R}_b = 2.7\text{ k}\Omega$     |                           | 1000<br>Note 1 |                          | 300<br>Note 1 |                            | 300<br>Note 1 | kHz  |
|                           |                   | $2.7\text{ V} \leq \text{EV}_{\text{DD0}} < 4.0\text{ V}$ ,<br>$2.3\text{ V} \leq \text{V}_b \leq 2.7\text{ V}$ ,<br>$\text{C}_b = 50\text{ pF}$ , $\text{R}_b = 2.7\text{ k}\Omega$        |                           | 1000<br>Note 1 |                          | 300<br>Note 1 |                            | 300<br>Note 1 | kHz  |
|                           |                   | $4.0\text{ V} \leq \text{EV}_{\text{DD0}} \leq 5.5\text{ V}$ ,<br>$2.7\text{ V} \leq \text{V}_b \leq 4.0\text{ V}$ ,<br>$\text{C}_b = 100\text{ pF}$ , $\text{R}_b = 2.8\text{ k}\Omega$    |                           | 400<br>Note 1  |                          | 300<br>Note 1 |                            | 300<br>Note 1 | kHz  |
|                           |                   | $2.7\text{ V} \leq \text{EV}_{\text{DD0}} < 4.0\text{ V}$ ,<br>$2.3\text{ V} \leq \text{V}_b \leq 2.7\text{ V}$ ,<br>$\text{C}_b = 100\text{ pF}$ , $\text{R}_b = 2.7\text{ k}\Omega$       |                           | 400<br>Note 1  |                          | 300<br>Note 1 |                            | 300<br>ote 1  | kHz  |
|                           |                   | $1.8\text{ V} \leq \text{EV}_{\text{DD0}} < 3.3\text{ V}$ ,<br>$1.6\text{ V} \leq \text{V}_b \leq 2.0\text{ V}$ Note 2,<br>$\text{C}_b = 100\text{ pF}$ , $\text{R}_b = 5.5\text{ k}\Omega$ |                           | 300<br>Note 1  |                          | 300<br>Note 1 |                            | 300<br>Note 1 | kHz  |
| Hold time when SCLr = "L" | $t_{\text{LOW}}$  | $4.0\text{ V} \leq \text{EV}_{\text{DD0}} \leq 5.5\text{ V}$ ,<br>$2.7\text{ V} \leq \text{V}_b \leq 4.0\text{ V}$ ,<br>$\text{C}_b = 50\text{ pF}$ , $\text{R}_b = 2.7\text{ k}\Omega$     | 475                       |                | 1550                     |               | 1550                       |               | ns   |
|                           |                   | $2.7\text{ V} \leq \text{EV}_{\text{DD0}} < 4.0\text{ V}$ ,<br>$2.3\text{ V} \leq \text{V}_b \leq 2.7\text{ V}$ ,<br>$\text{C}_b = 50\text{ pF}$ , $\text{R}_b = 2.7\text{ k}\Omega$        | 475                       |                | 1550                     |               | 1550                       |               | ns   |
|                           |                   | $4.0\text{ V} \leq \text{EV}_{\text{DD0}} \leq 5.5\text{ V}$ ,<br>$2.7\text{ V} \leq \text{V}_b \leq 4.0\text{ V}$ ,<br>$\text{C}_b = 100\text{ pF}$ , $\text{R}_b = 2.8\text{ k}\Omega$    | 1150                      |                | 1550                     |               | 1550                       |               | ns   |
|                           |                   | $2.7\text{ V} \leq \text{EV}_{\text{DD0}} < 4.0\text{ V}$ ,<br>$2.3\text{ V} \leq \text{V}_b \leq 2.7\text{ V}$ ,<br>$\text{C}_b = 100\text{ pF}$ , $\text{R}_b = 2.7\text{ k}\Omega$       | 1150                      |                | 1550                     |               | 1550                       |               | ns   |
|                           |                   | $1.8\text{ V} \leq \text{EV}_{\text{DD0}} < 3.3\text{ V}$ ,<br>$1.6\text{ V} \leq \text{V}_b \leq 2.0\text{ V}$ Note 2,<br>$\text{C}_b = 100\text{ pF}$ , $\text{R}_b = 5.5\text{ k}\Omega$ | 1550                      |                | 1550                     |               | 1550                       |               | ns   |
| Hold time when SCLr = "H" | $t_{\text{HIGH}}$ | $4.0\text{ V} \leq \text{EV}_{\text{DD0}} \leq 5.5\text{ V}$ ,<br>$2.7\text{ V} \leq \text{V}_b \leq 4.0\text{ V}$ ,<br>$\text{C}_b = 50\text{ pF}$ , $\text{R}_b = 2.7\text{ k}\Omega$     | 245                       |                | 610                      |               | 610                        |               | ns   |
|                           |                   | $2.7\text{ V} \leq \text{EV}_{\text{DD0}} < 4.0\text{ V}$ ,<br>$2.3\text{ V} \leq \text{V}_b \leq 2.7\text{ V}$ ,<br>$\text{C}_b = 50\text{ pF}$ , $\text{R}_b = 2.7\text{ k}\Omega$        | 200                       |                | 610                      |               | 610                        |               | ns   |
|                           |                   | $4.0\text{ V} \leq \text{EV}_{\text{DD0}} \leq 5.5\text{ V}$ ,<br>$2.7\text{ V} \leq \text{V}_b \leq 4.0\text{ V}$ ,<br>$\text{C}_b = 100\text{ pF}$ , $\text{R}_b = 2.8\text{ k}\Omega$    | 675                       |                | 610                      |               | 610                        |               | ns   |
|                           |                   | $2.7\text{ V} \leq \text{EV}_{\text{DD0}} < 4.0\text{ V}$ ,<br>$2.3\text{ V} \leq \text{V}_b \leq 2.7\text{ V}$ ,<br>$\text{C}_b = 100\text{ pF}$ , $\text{R}_b = 2.7\text{ k}\Omega$       | 600                       |                | 610                      |               | 610                        |               | ns   |
|                           |                   | $1.8\text{ V} \leq \text{EV}_{\text{DD0}} < 3.3\text{ V}$ ,<br>$1.6\text{ V} \leq \text{V}_b \leq 2.0\text{ V}$ Note 2,<br>$\text{C}_b = 100\text{ pF}$ , $\text{R}_b = 5.5\text{ k}\Omega$ | 610                       |                | 610                      |               | 610                        |               | ns   |

**(10) Communication at different potential (1.8 V, 2.5 V, 3 V) (simplified I<sup>2</sup>C mode) (2/2)****(T<sub>A</sub> = -40 to +85°C, 1.8 V ≤ EV<sub>DD0</sub> = EV<sub>DD1</sub> ≤ V<sub>DD</sub> ≤ 5.5 V, V<sub>SS</sub> = EV<sub>SS0</sub> = EV<sub>SS1</sub> = 0 V)**

| Parameter                     | Symbol              | Conditions   | HS (high-speed main) Mode                     |      | LS (low-speed main) Mode                      |      | LV (low-voltage main) Mode                    |      | Unit |
|-------------------------------|---------------------|--|---|------|---|------|---|------|------|
|                               |                     |  | MIN.  | MAX. | MIN.  | MAX. | MIN.  | MAX. |      |
| Data setup time (reception)   | t <sub>SU:DAT</sub> | 4.0 V ≤ EV <sub>DD0</sub> ≤ 5.5 V,<br>2.7 V ≤ V <sub>b</sub> ≤ 4.0 V,<br>C <sub>b</sub> = 50 pF, R <sub>b</sub> = 2.7 kΩ                     | 1/f <sub>MCK</sub> +<br>135 <sup>Note 3</sup> |      | 1/f <sub>MCK</sub><br>+ 190 <sup>Note 3</sup> |      | 1/f <sub>MCK</sub><br>+ 190 <sup>Note 3</sup> |      | kHz  |
|                               |                     | 2.7 V ≤ EV <sub>DD0</sub> < 4.0 V,<br>2.3 V ≤ V <sub>b</sub> ≤ 2.7 V,<br>C <sub>b</sub> = 50 pF, R <sub>b</sub> = 2.7 kΩ                     | 1/f <sub>MCK</sub> +<br>135 <sup>Note 3</sup> |      | 1/f <sub>MCK</sub><br>+ 190 <sup>Note 3</sup> |      | 1/f <sub>MCK</sub><br>+ 190 <sup>Note 3</sup> |      | kHz  |
|                               |                     | 4.0 V ≤ EV <sub>DD0</sub> ≤ 5.5 V,<br>2.7 V ≤ V <sub>b</sub> ≤ 4.0 V,<br>C <sub>b</sub> = 100 pF, R <sub>b</sub> = 2.8 kΩ                    | 1/f <sub>MCK</sub> +<br>190 <sup>Note 3</sup> |      | 1/f <sub>MCK</sub><br>+ 190 <sup>Note 3</sup> |      | 1/f <sub>MCK</sub><br>+ 190 <sup>Note 3</sup> |      | kHz  |
|                               |                     | 2.7 V ≤ EV <sub>DD0</sub> < 4.0 V,<br>2.3 V ≤ V <sub>b</sub> ≤ 2.7 V,<br>C <sub>b</sub> = 100 pF, R <sub>b</sub> = 2.7 kΩ                    | 1/f <sub>MCK</sub> +<br>190 <sup>Note 3</sup> |      | 1/f <sub>MCK</sub><br>+ 190 <sup>Note 3</sup> |      | 1/f <sub>MCK</sub><br>+ 190 <sup>Note 3</sup> |      | kHz  |
|                               |                     | 1.8 V ≤ EV <sub>DD0</sub> < 3.3 V,<br>1.6 V ≤ V <sub>b</sub> ≤ 2.0 V <sup>Note 2</sup> ,<br>C <sub>b</sub> = 100 pF, R <sub>b</sub> = 5.5 kΩ | 1/f <sub>MCK</sub> +<br>190 <sup>Note 3</sup> |      | 1/f <sub>MCK</sub><br>+ 190 <sup>Note 3</sup> |      | 1/f <sub>MCK</sub><br>+ 190 <sup>Note 3</sup> |      | kHz  |
| Data hold time (transmission) | t <sub>HD:DAT</sub> | 4.0 V ≤ EV <sub>DD0</sub> ≤ 5.5 V,<br>2.7 V ≤ V <sub>b</sub> ≤ 4.0 V,<br>C <sub>b</sub> = 50 pF, R <sub>b</sub> = 2.7 kΩ                     | 0   | 305  | 0   | 305  | 0   | 305  | ns   |
|                               |                     | 2.7 V ≤ EV <sub>DD0</sub> < 4.0 V,<br>2.3 V ≤ V <sub>b</sub> ≤ 2.7 V,<br>C <sub>b</sub> = 50 pF, R <sub>b</sub> = 2.7 kΩ                     | 0   | 305  | 0   | 305  | 0   | 305  | ns   |
|                               |                     | 4.0 V ≤ EV <sub>DD0</sub> ≤ 5.5 V,<br>2.7 V ≤ V <sub>b</sub> ≤ 4.0 V,<br>C <sub>b</sub> = 100 pF, R <sub>b</sub> = 2.8 kΩ                    | 0   | 355  | 0   | 355  | 0   | 355  | ns   |
|                               |                     | 2.7 V ≤ EV <sub>DD0</sub> < 4.0 V,<br>2.3 V ≤ V <sub>b</sub> ≤ 2.7 V,<br>C <sub>b</sub> = 100 pF, R <sub>b</sub> = 2.7 kΩ                    | 0   | 355  | 0   | 355  | 0   | 355  | ns   |
|                               |                     | 1.8 V ≤ EV <sub>DD0</sub> < 3.3 V,<br>1.6 V ≤ V <sub>b</sub> ≤ 2.0 V <sup>Note 2</sup> ,<br>C <sub>b</sub> = 100 pF, R <sub>b</sub> = 5.5 kΩ | 0   | 405  | 0   | 405  | 0   | 405  | ns   |

- Notes**
- The value must also be equal to or less than f<sub>MCK</sub>/4.
  - Use it with EV<sub>DD0</sub> ≥ V<sub>b</sub>.
  - Set the f<sub>MCK</sub> value to keep the hold time of SCLr = "L" and SCLr = "H".

**Caution** Select the TTL input buffer and the N-ch open drain output (V<sub>DD</sub> tolerance (for the 20- to 52-pin products)/EV<sub>DD</sub> tolerance (for the 64- to 128-pin products)) mode for the SDAr pin and the N-ch open drain output (V<sub>DD</sub> tolerance (for the 20- to 52-pin products)/EV<sub>DD</sub> tolerance (for the 64- to 128-pin products)) mode for the SCLr pin by using port input mode register g (PIMg) and port output mode register g (POMg). For V<sub>IH</sub> and V<sub>IL</sub>, see the DC characteristics with TTL input buffer selected.

(Remarks are listed on the next page.)



**Simplified I<sup>2</sup>C mode connection diagram (during communication at different potential)****Simplified I<sup>2</sup>C mode serial transfer timing (during communication at different potential)**

- Remarks**
- $R_b[\Omega]$ : Communication line (SDAr, SCLr) pull-up resistance,  $C_b[F]$ : Communication line (SDAr, SCLr) load capacitance,  $V_b[V]$ : Communication line voltage
  - r: IIC number (r = 00, 01, 10, 20, 30, 31), g: PIM, POM number (g = 0, 1, 4, 5, 8, 14)
  - $f_{MCK}$ : Serial array unit operation clock frequency  
(Operation clock to be set by the CKSmn bit of serial mode register mn (SMRmn). m: Unit number, n: Channel number (mn = 00, 01, 02, 10, 12, 13))

## 2.5.2 Serial interface IICA

(1) I<sup>2</sup>C standard mode(T<sub>A</sub> = -40 to +85°C, 1.6 V ≤ EV<sub>DD0</sub> = EV<sub>DD1</sub> ≤ V<sub>DD</sub> ≤ 5.5 V, V<sub>SS</sub> = EV<sub>SS0</sub> = EV<sub>SS1</sub> = 0 V)

| Parameter                                       | Symbol              | Conditions                                 | HS (high-speed main) Mode         |      | LS (low-speed main) Mode |      | LV (low-voltage main) Mode |      | Unit |     |
|---|---------------------|--|-----------------------------------|------|--------------------------|------|----------------------------|------|------|-----|
|   |                     |  | MIN.                              | MAX. | MIN.                     | MAX. | MIN.                       | MAX. |      |     |
| SCLA0 clock frequency                           | f <sub>SCL</sub>    | Standard mode:<br>f <sub>CLK</sub> ≥ 1 MHz | 2.7 V ≤ EV <sub>DD0</sub> ≤ 5.5 V | 0    | 100                      | 0    | 100                        | 0    | 100  | kHz |
|   |                     |  | 1.8 V ≤ EV <sub>DD0</sub> ≤ 5.5 V | 0    | 100                      | 0    | 100                        | 0    | 100  | kHz |
|   |                     |  | 1.7 V ≤ EV <sub>DD0</sub> ≤ 5.5 V | 0    | 100                      | 0    | 100                        | 0    | 100  | kHz |
|   |                     |  | 1.6 V ≤ EV <sub>DD0</sub> ≤ 5.5 V | -    |                          | 0    | 100                        | 0    | 100  | kHz |
| Setup time of restart condition                 | t <sub>SU:STA</sub> | 2.7 V ≤ EV <sub>DD0</sub> ≤ 5.5 V          | 4.7                               |      | 4.7                      |      | 4.7                        |      | μs   |     |
|   |                     | 1.8 V ≤ EV <sub>DD0</sub> ≤ 5.5 V          | 4.7                               |      | 4.7                      |      | 4.7                        |      | μs   |     |
|   |                     | 1.7 V ≤ EV <sub>DD0</sub> ≤ 5.5 V          | 4.7                               |      | 4.7                      |      | 4.7                        |      | μs   |     |
|   |                     | 1.6 V ≤ EV <sub>DD0</sub> ≤ 5.5 V          | -                                 |      | 4.7                      |      | 4.7                        |      | μs   |     |
| Hold time <sup>Note 1</sup>                     | t <sub>HD:STA</sub> | 2.7 V ≤ EV <sub>DD0</sub> ≤ 5.5 V          | 4.0                               |      | 4.0                      |      | 4.0                        |      | μs   |     |
|   |                     | 1.8 V ≤ EV <sub>DD0</sub> ≤ 5.5 V          | 4.0                               |      | 4.0                      |      | 4.0                        |      | μs   |     |
|   |                     | 1.7 V ≤ EV <sub>DD0</sub> ≤ 5.5 V          | 4.0                               |      | 4.0                      |      | 4.0                        |      | μs   |     |
|   |                     | 1.6 V ≤ EV <sub>DD0</sub> ≤ 5.5 V          | -                                 |      | 4.0                      |      | 4.0                        |      | μs   |     |
| Hold time when SCLA0 = "L"                      | t <sub>LOW</sub>    | 2.7 V ≤ EV <sub>DD0</sub> ≤ 5.5 V          | 4.7                               |      | 4.7                      |      | 4.7                        |      | μs   |     |
|   |                     | 1.8 V ≤ EV <sub>DD0</sub> ≤ 5.5 V          | 4.7                               |      | 4.7                      |      | 4.7                        |      | μs   |     |
|   |                     | 1.7 V ≤ EV <sub>DD0</sub> ≤ 5.5 V          | 4.7                               |      | 4.7                      |      | 4.7                        |      | μs   |     |
|   |                     | 1.6 V ≤ EV <sub>DD0</sub> ≤ 5.5 V          | -                                 |      | 4.7                      |      | 4.7                        |      | μs   |     |
| Hold time when SCLA0 = "H"                      | t <sub>HIGH</sub>   | 2.7 V ≤ EV <sub>DD0</sub> ≤ 5.5 V          | 4.0                               |      | 4.0                      |      | 4.0                        |      | μs   |     |
|   |                     | 1.8 V ≤ EV <sub>DD0</sub> ≤ 5.5 V          | 4.0                               |      | 4.0                      |      | 4.0                        |      | μs   |     |
|   |                     | 1.7 V ≤ EV <sub>DD0</sub> ≤ 5.5 V          | 4.0                               |      | 4.0                      |      | 4.0                        |      | μs   |     |
|   |                     | 1.6 V ≤ EV <sub>DD0</sub> ≤ 5.5 V          | -                                 |      | 4.0                      |      | 4.0                        |      | μs   |     |
| Data setup time (reception)                     | t <sub>SU:DAT</sub> | 2.7 V ≤ EV <sub>DD0</sub> ≤ 5.5 V          | 250                               |      | 250                      |      | 250                        |      | ns   |     |
|   |                     | 1.8 V ≤ EV <sub>DD0</sub> ≤ 5.5 V          | 250                               |      | 250                      |      | 250                        |      | ns   |     |
|   |                     | 1.7 V ≤ EV <sub>DD0</sub> ≤ 5.5 V          | 250                               |      | 250                      |      | 250                        |      | ns   |     |
|   |                     | 1.6 V ≤ EV <sub>DD0</sub> ≤ 5.5 V          | -                                 |      | 250                      |      | 250                        |      | ns   |     |
| Data hold time (transmission) <sup>Note 2</sup> | t <sub>HD:DAT</sub> | 2.7 V ≤ EV <sub>DD0</sub> ≤ 5.5 V          | 0                                 | 3.45 | 0                        | 3.45 | 0                          | 3.45 | μs   |     |
|   |                     | 1.8 V ≤ EV <sub>DD0</sub> ≤ 5.5 V          | 0                                 | 3.45 | 0                        | 3.45 | 0                          | 3.45 | μs   |     |
|   |                     | 1.7 V ≤ EV <sub>DD0</sub> ≤ 5.5 V          | 0                                 | 3.45 | 0                        | 3.45 | 0                          | 3.45 | μs   |     |
|   |                     | 1.6 V ≤ EV <sub>DD0</sub> ≤ 5.5 V          | -                                 |      | 0                        | 3.45 | 0                          | 3.45 | μs   |     |
| Setup time of stop condition                    | t <sub>SU:STO</sub> | 2.7 V ≤ EV <sub>DD0</sub> ≤ 5.5 V          | 4.0                               |      | 4.0                      |      | 4.0                        |      | μs   |     |
|   |                     | 1.8 V ≤ EV <sub>DD0</sub> ≤ 5.5 V          | 4.0                               |      | 4.0                      |      | 4.0                        |      | μs   |     |
|   |                     | 1.7 V ≤ EV <sub>DD0</sub> ≤ 5.5 V          | 4.0                               |      | 4.0                      |      | 4.0                        |      | μs   |     |
|   |                     | 1.6 V ≤ EV <sub>DD0</sub> ≤ 5.5 V          | -                                 |      | 4.0                      |      | 4.0                        |      | μs   |     |
| Bus-free time                                   | t <sub>BUF</sub>    | 2.7 V ≤ EV <sub>DD0</sub> ≤ 5.5 V          | 4.7                               |      | 4.7                      |      | 4.7                        |      | μs   |     |
|   |                     | 1.8 V ≤ EV <sub>DD0</sub> ≤ 5.5 V          | 4.7                               |      | 4.7                      |      | 4.7                        |      | μs   |     |
|   |                     | 1.7 V ≤ EV <sub>DD0</sub> ≤ 5.5 V          | 4.7                               |      | 4.7                      |      | 4.7                        |      | μs   |     |
|   |                     | 1.6 V ≤ EV <sub>DD0</sub> ≤ 5.5 V          | -                                 |      | 4.7                      |      | 4.7                        |      | μs   |     |

(Notes, Caution and Remark are listed on the next page.)

- Notes**
1. The first clock pulse is generated after this period when the start/restart condition is detected.
  2. The maximum value (MAX.) of  $t_{HD:DAT}$  is during normal transfer and a wait state is inserted in the ACK (acknowledge) timing.

**Caution** The values in the above table are applied even when bit 2 (PIOR2) in the peripheral I/O redirection register (PIOR) is 1. At this time, the pin characteristics ( $I_{OH1}$ ,  $I_{OL1}$ ,  $V_{OH1}$ ,  $V_{OL1}$ ) must satisfy the values in the redirect destination.

**Remark** The maximum value of  $C_b$  (communication line capacitance) and the value of  $R_b$  (communication line pull-up resistor) at that time in each mode are as follows.

Standard mode:  $C_b = 400$  pF,  $R_b = 2.7$  k $\Omega$

(2) I<sup>2</sup>C fast mode(T<sub>A</sub> = -40 to +85°C, 1.6 V ≤ EV<sub>DD0</sub> = EV<sub>DD1</sub> ≤ V<sub>DD</sub> ≤ 5.5 V, V<sub>SS</sub> = EV<sub>SS0</sub> = EV<sub>SS1</sub> = 0 V)

| Parameter                                       | Symbol              | Conditions                               | HS (high-speed main) Mode         |      | LS (low-speed main) Mode |      | LV (low-voltage main) Mode |      | Unit |     |
|---|---------------------|--|-----------------------------------|------|--------------------------|------|----------------------------|------|------|-----|
|   |                     |  | MIN.                              | MAX. | MIN.                     | MAX. | MIN.                       | MAX. |      |     |
| SCLA0 clock frequency                           | f <sub>SCL</sub>    | Fast mode:<br>f <sub>CLK</sub> ≥ 3.5 MHz | 2.7 V ≤ EV <sub>DD0</sub> ≤ 5.5 V | 0    | 400                      | 0    | 400                        | 0    | 400  | kHz |
|   |                     |  | 1.8 V ≤ EV <sub>DD0</sub> ≤ 5.5 V | 0    | 400                      | 0    | 400                        | 0    | 400  | kHz |
| Setup time of restart condition                 | t <sub>SU:STA</sub> | 2.7 V ≤ EV <sub>DD0</sub> ≤ 5.5 V        | 0.6                               |      | 0.6                      |      | 0.6                        |      | μs   |     |
|   |                     | 1.8 V ≤ EV <sub>DD0</sub> ≤ 5.5 V        | 0.6                               |      | 0.6                      |      | 0.6                        |      | μs   |     |
| Hold time <sup>Note 1</sup>                     | t <sub>HD:STA</sub> | 2.7 V ≤ EV <sub>DD0</sub> ≤ 5.5 V        | 0.6                               |      | 0.6                      |      | 0.6                        |      | μs   |     |
|   |                     | 1.8 V ≤ EV <sub>DD0</sub> ≤ 5.5 V        | 0.6                               |      | 0.6                      |      | 0.6                        |      | μs   |     |
| Hold time when SCLA0 = "L"                      | t <sub>LOW</sub>    | 2.7 V ≤ EV <sub>DD0</sub> ≤ 5.5 V        | 1.3                               |      | 1.3                      |      | 1.3                        |      | μs   |     |
|   |                     | 1.8 V ≤ EV <sub>DD0</sub> ≤ 5.5 V        | 1.3                               |      | 1.3                      |      | 1.3                        |      | μs   |     |
| Hold time when SCLA0 = "H"                      | t <sub>HIGH</sub>   | 2.7 V ≤ EV <sub>DD0</sub> ≤ 5.5 V        | 0.6                               |      | 0.6                      |      | 0.6                        |      | μs   |     |
|   |                     | 1.8 V ≤ EV <sub>DD0</sub> ≤ 5.5 V        | 0.6                               |      | 0.6                      |      | 0.6                        |      | μs   |     |
| Data setup time (reception)                     | t <sub>SU:DAT</sub> | 2.7 V ≤ EV <sub>DD0</sub> ≤ 5.5 V        | 100                               |      | 100                      |      | 100                        |      | μs   |     |
|   |                     | 1.8 V ≤ EV <sub>DD0</sub> ≤ 5.5 V        | 100                               |      | 100                      |      | 100                        |      | μs   |     |
| Data hold time (transmission) <sup>Note 2</sup> | t <sub>HD:DAT</sub> | 2.7 V ≤ EV <sub>DD0</sub> ≤ 5.5 V        | 0                                 | 0.9  | 0                        | 0.9  | 0                          | 0.9  | μs   |     |
|   |                     | 1.8 V ≤ EV <sub>DD0</sub> ≤ 5.5 V        | 0                                 | 0.9  | 0                        | 0.9  | 0                          | 0.9  | μs   |     |
| Setup time of stop condition                    | t <sub>SU:STO</sub> | 2.7 V ≤ EV <sub>DD0</sub> ≤ 5.5 V        | 0.6                               |      | 0.6                      |      | 0.6                        |      | μs   |     |
|   |                     | 1.8 V ≤ EV <sub>DD0</sub> ≤ 5.5 V        | 0.6                               |      | 0.6                      |      | 0.6                        |      | μs   |     |
| Bus-free time                                   | t <sub>BUF</sub>    | 2.7 V ≤ EV <sub>DD0</sub> ≤ 5.5 V        | 1.3                               |      | 1.3                      |      | 1.3                        |      | μs   |     |
|   |                     | 1.8 V ≤ EV <sub>DD0</sub> ≤ 5.5 V        | 1.3                               |      | 1.3                      |      | 1.3                        |      | μs   |     |

- Notes**
- The first clock pulse is generated after this period when the start/restart condition is detected.
  - The maximum value (MAX.) of t<sub>HD:DAT</sub> is during normal transfer and a wait state is inserted in the ACK (acknowledge) timing.

**Caution** The values in the above table are applied even when bit 2 (PIOR2) in the peripheral I/O redirection register (PIOR) is 1. At this time, the pin characteristics (I<sub>OH1</sub>, I<sub>OL1</sub>, V<sub>OH1</sub>, V<sub>OL1</sub>) must satisfy the values in the redirect destination.

**Remark** The maximum value of C<sub>b</sub> (communication line capacitance) and the value of R<sub>b</sub> (communication line pull-up resistor) at that time in each mode are as follows.

Fast mode: C<sub>b</sub> = 320 pF, R<sub>b</sub> = 1.1 kΩ

**(3) I<sup>2</sup>C fast mode plus**

(T<sub>A</sub> = -40 to +85°C, 1.6 V ≤ EV<sub>DD0</sub> = EV<sub>DD1</sub> ≤ V<sub>DD</sub> ≤ 5.5 V, V<sub>SS</sub> = EV<sub>SS0</sub> = EV<sub>SS1</sub> = 0 V)

| Parameter                                       | Symbol              | Conditions  | HS (high-speed main) Mode |      | LS (low-speed main) Mode |      | LV (low-voltage main) Mode |      | Unit |
|---|---------------------|---|---------------------------|------|--------------------------|------|----------------------------|------|------|
|   |                     |   | MIN.                      | MAX. | MIN.                     | MAX. | MIN.                       | MAX. |      |
| SCLA0 clock frequency                           | f <sub>SCL</sub>    | Fast mode plus:<br>f <sub>CLK</sub> ≥ 10 MHz<br>2.7 V ≤ EV <sub>DD0</sub> ≤ 5.5 V | 0                         | 1000 | –                        | –    | –                          | –    | kHz  |
| Setup time of restart condition                 | t <sub>SU:STA</sub> | 2.7 V ≤ EV <sub>DD0</sub> ≤ 5.5 V   | 0.26                      |      | –                        | –    | –                          | –    | μs   |
| Hold time <sup>Note 1</sup>                     | t <sub>HD:STA</sub> | 2.7 V ≤ EV <sub>DD0</sub> ≤ 5.5 V   | 0.26                      |      | –                        | –    | –                          | –    | μs   |
| Hold time when SCLA0 = “L”                      | t <sub>LOW</sub>    | 2.7 V ≤ EV <sub>DD0</sub> ≤ 5.5 V   | 0.5                       |      | –                        | –    | –                          | –    | μs   |
| Hold time when SCLA0 = “H”                      | t <sub>HIGH</sub>   | 2.7 V ≤ EV <sub>DD0</sub> ≤ 5.5 V   | 0.26                      |      | –                        | –    | –                          | –    | μs   |
| Data setup time (reception)                     | t <sub>SU:DAT</sub> | 2.7 V ≤ EV <sub>DD0</sub> ≤ 5.5 V   | 50                        |      | –                        | –    | –                          | –    | μs   |
| Data hold time (transmission) <sup>Note 2</sup> | t <sub>HD:DAT</sub> | 2.7 V ≤ EV <sub>DD0</sub> ≤ 5.5 V   | 0                         | 0.45 | –                        | –    | –                          | –    | μs   |
| Setup time of stop condition                    | t <sub>SU:STO</sub> | 2.7 V ≤ EV <sub>DD0</sub> ≤ 5.5 V   | 0.26                      |      | –                        | –    | –                          | –    | μs   |
| Bus-free time                                   | t <sub>BUF</sub>    | 2.7 V ≤ EV <sub>DD0</sub> ≤ 5.5 V   | 0.5                       |      | –                        | –    | –                          | –    | μs   |

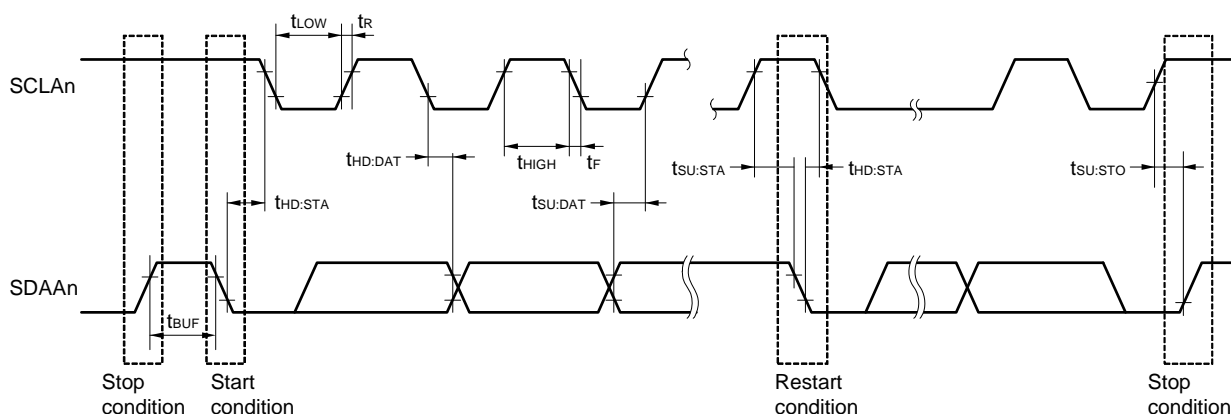
- Notes**
- The first clock pulse is generated after this period when the start/restart condition is detected.
  - The maximum value (MAX.) of t<sub>HD:DAT</sub> is during normal transfer and a wait state is inserted in the ACK (acknowledge) timing.

**Caution** The values in the above table are applied even when bit 2 (PIOR2) in the peripheral I/O redirection register (PIOR) is 1. At this time, the pin characteristics (I<sub>OH1</sub>, I<sub>OL1</sub>, V<sub>OH1</sub>, V<sub>OL1</sub>) must satisfy the values in the redirect destination.

**Remark** The maximum value of C<sub>b</sub> (communication line capacitance) and the value of R<sub>b</sub> (communication line pull-up resistor) at that time in each mode are as follows.

Fast mode plus: C<sub>b</sub> = 120 pF, R<sub>b</sub> = 1.1 kΩ

**I<sup>2</sup>C serial transfer timing**



**Remark** n = 0, 1

## 2.6 Analog Characteristics

### 2.6.1 A/D converter characteristics

Classification of A/D converter characteristics

| Input channel  | Reference Voltage  |  |  |
|--|--|--|--|
|  | Reference voltage (+) = $AV_{REFP}$<br>Reference voltage (-) = $AV_{REFM}$ | Reference voltage (+) = $V_{DD}$<br>Reference voltage (-) = $V_{SS}$ | Reference voltage (+) = $V_{BGR}$<br>Reference voltage (-) = $AV_{REFM}$ |
| ANI0 to ANI14  | Refer to 2.6.1 (1).  | Refer to 2.6.1 (3).  | Refer to 2.6.1 (4).  |
| ANI16 to ANI26   | Refer to 2.6.1 (2).  |  |  |
| Internal reference voltage<br>Temperature sensor output<br>voltage | Refer to 2.6.1 (1).  |  |  |

(1) When reference voltage (+) =  $AV_{REFP}/ANI0$  ( $ADREFP1 = 0$ ,  $ADREFP0 = 1$ ), reference voltage (-) =  $AV_{REFM}/ANI1$  ( $ADREFM = 1$ ), target pin : ANI2 to ANI14, internal reference voltage, and temperature sensor output voltage

( $T_A = -40$  to  $+85^\circ\text{C}$ ,  $1.6\text{ V} \leq AV_{REFP} \leq V_{DD} \leq 5.5\text{ V}$ ,  $V_{SS} = 0\text{ V}$ , Reference voltage (+) =  $AV_{REFP}$ , Reference voltage (-) =  $AV_{REFM} = 0\text{ V}$ )

| Parameter                                      | Symbol          | Conditions  |   | MIN.   | TYP.                           | MAX.        | Unit          |
|--|-----------------|---|---|--------|--------------------------------|-------------|---------------|
| Resolution                                     | RES             |   |   | 8      |                                | 10          | bit           |
| Overall error <sup>Note 1</sup>                | AINL            | 10-bit resolution<br>$AV_{REFP} = V_{DD}$ <sup>Note 3</sup>   | $1.8\text{ V} \leq AV_{REFP} \leq 5.5\text{ V}$                   |        | 1.2                            | $\pm 3.5$   | LSB           |
|  |                 |   | $1.6\text{ V} \leq AV_{REFP} \leq 5.5\text{ V}$ <sup>Note 4</sup> |        | 1.2                            | $\pm 7.0$   | LSB           |
| Conversion time                                | $t_{CONV}$      | 10-bit resolution<br>Target pin: ANI2 to ANI14  | $3.6\text{ V} \leq V_{DD} \leq 5.5\text{ V}$                      | 2.125  |                                | 39          | $\mu\text{s}$ |
|  |                 |   | $2.7\text{ V} \leq V_{DD} \leq 5.5\text{ V}$                      | 3.1875 |                                | 39          | $\mu\text{s}$ |
|  |                 |   | $1.8\text{ V} \leq V_{DD} \leq 5.5\text{ V}$                      | 17     |                                | 39          | $\mu\text{s}$ |
|  |                 |   | $1.6\text{ V} \leq V_{DD} \leq 5.5\text{ V}$                      | 57     |                                | 95          | $\mu\text{s}$ |
|  |                 | 10-bit resolution<br>Target pin: Internal<br>reference voltage, and<br>temperature sensor output<br>voltage<br>(HS (high-speed main)<br>mode) | $3.6\text{ V} \leq V_{DD} \leq 5.5\text{ V}$                      | 2.375  |                                | 39          | $\mu\text{s}$ |
|  |                 |   | $2.7\text{ V} \leq V_{DD} \leq 5.5\text{ V}$                      | 3.5625 |                                | 39          | $\mu\text{s}$ |
| Zero-scale error <sup>Notes 1, 2</sup>         | E <sub>ZS</sub> | 10-bit resolution<br>$AV_{REFP} = V_{DD}$ <sup>Note 3</sup>   | $1.8\text{ V} \leq AV_{REFP} \leq 5.5\text{ V}$                   |        |                                | $\pm 0.25$  | %FSR          |
|  |                 |   | $1.6\text{ V} \leq AV_{REFP} \leq 5.5\text{ V}$ <sup>Note 4</sup> |        |                                | $\pm 0.50$  | %FSR          |
| Full-scale error <sup>Notes 1, 2</sup>         | E <sub>FS</sub> | 10-bit resolution<br>$AV_{REFP} = V_{DD}$ <sup>Note 3</sup>   | $1.8\text{ V} \leq AV_{REFP} \leq 5.5\text{ V}$                   |        |                                | $\pm 0.25$  | %FSR          |
|  |                 |   | $1.6\text{ V} \leq AV_{REFP} \leq 5.5\text{ V}$ <sup>Note 4</sup> |        |                                | $\pm 0.50$  | %FSR          |
| Integral linearity error <sup>Note 1</sup>     | ILE             | 10-bit resolution<br>$AV_{REFP} = V_{DD}$ <sup>Note 3</sup>   | $1.8\text{ V} \leq AV_{REFP} \leq 5.5\text{ V}$                   |        |                                | $\pm 2.5$   | LSB           |
|  |                 |   | $1.6\text{ V} \leq AV_{REFP} \leq 5.5\text{ V}$ <sup>Note 4</sup> |        |                                | $\pm 5.0$   | LSB           |
| Differential linearity error <sup>Note 1</sup> | DLE             | 10-bit resolution<br>$AV_{REFP} = V_{DD}$ <sup>Note 3</sup>   | $1.8\text{ V} \leq AV_{REFP} \leq 5.5\text{ V}$                   |        |                                | $\pm 1.5$   | LSB           |
|  |                 |   | $1.6\text{ V} \leq AV_{REFP} \leq 5.5\text{ V}$ <sup>Note 4</sup> |        |                                | $\pm 2.0$   | LSB           |
| Analog input voltage                           | $V_{AIN}$       | ANI2 to ANI14   |   | 0      |                                | $AV_{REFP}$ | V             |
|  |                 | Internal reference voltage<br>( $2.4\text{ V} \leq V_{DD} \leq 5.5\text{ V}$ , HS (high-speed main) mode)                                     |   |        | $V_{BGR}$ <sup>Note 5</sup>    |             | V             |
|  |                 | Temperature sensor output voltage<br>( $2.4\text{ V} \leq V_{DD} \leq 5.5\text{ V}$ , HS (high-speed main) mode)                              |   |        | $V_{TMPS25}$ <sup>Note 5</sup> |             | V             |

(Notes are listed on the next page.)

- Notes**
1. Excludes quantization error ( $\pm 1/2$  LSB).
  2. This value is indicated as a ratio (%FSR) to the full-scale value.
  3. When  $AV_{REFP} < V_{DD}$ , the MAX. values are as follows.  
Overall error: Add  $\pm 1.0$  LSB to the MAX. value when  $AV_{REFP} = V_{DD}$ .  
Zero-scale error/Full-scale error: Add  $\pm 0.05\%$ FSR to the MAX. value when  $AV_{REFP} = V_{DD}$ .  
Integral linearity error/ Differential linearity error: Add  $\pm 0.5$  LSB to the MAX. value when  $AV_{REFP} = V_{DD}$ .
  4. Values when the conversion time is set to  $57 \mu\text{s}$  (min.) and  $95 \mu\text{s}$  (max.).
  5. Refer to **2.6.2 Temperature sensor/internal reference voltage characteristics**.

(2) When reference voltage (+) =  $AV_{REFP}/ANI0$  ( $ADREFP1 = 0$ ,  $ADREFP0 = 1$ ), reference voltage (-) =  $AV_{REFM}/ANI1$  ( $ADREFM = 1$ ), target pin : ANI16 to ANI26

( $T_A = -40$  to  $+85^\circ\text{C}$ ,  $1.6\text{ V} \leq EV_{DD0} = EV_{DD1} \leq V_{DD} \leq 5.5\text{ V}$ ,  $1.6\text{ V} \leq AV_{REFP} \leq V_{DD} \leq 5.5\text{ V}$ ,  $V_{SS} = EV_{SS0} = EV_{SS1} = 0\text{ V}$ , Reference voltage (+) =  $AV_{REFP}$ , Reference voltage (-) =  $AV_{REFM} = 0\text{ V}$ )

| Parameter                                      | Symbol          | Conditions  | MIN.   | TYP.  | MAX.                          | Unit       |               |               |
|--|-----------------|---|--|-------|-------------------------------|------------|---------------|---------------|
| Resolution                                     | RES             |   | 8  |       | 10                            | bit        |               |               |
| Overall error <sup>Note 1</sup>                | AINL            | 10-bit resolution<br>$EV_{DD0} = AV_{REFP} = V_{DD}$ Notes 3, 4 | $1.8\text{ V} \leq AV_{REFP} \leq 5.5\text{ V}$        |       | 1.2                           | $\pm 5.0$  | LSB           |               |
|  |                 |   | $1.6\text{ V} \leq AV_{REFP} \leq 5.5\text{ V}$ Note 5 |       | 1.2                           | $\pm 8.5$  | LSB           |               |
| Conversion time                                | $t_{CONV}$      | 10-bit resolution<br>Target ANI pin : ANI16 to ANI26            | $3.6\text{ V} \leq V_{DD} \leq 5.5\text{ V}$           | 2.125 |                               | 39         | $\mu\text{s}$ |               |
|  |                 |   | $2.7\text{ V} \leq V_{DD} \leq 5.5\text{ V}$           |       | 3.1875                        |            | 39            | $\mu\text{s}$ |
|  |                 |   | $1.8\text{ V} \leq V_{DD} \leq 5.5\text{ V}$           |       | 17                            |            | 39            | $\mu\text{s}$ |
|  |                 |   | $1.6\text{ V} \leq V_{DD} \leq 5.5\text{ V}$           |       | 57                            |            | 95            | $\mu\text{s}$ |
| Zero-scale error <sup>Notes 1, 2</sup>         | E <sub>ZS</sub> | 10-bit resolution<br>$EV_{DD0} = AV_{REFP} = V_{DD}$ Notes 3, 4 | $1.8\text{ V} \leq AV_{REFP} \leq 5.5\text{ V}$        |       |                               | $\pm 0.35$ | %FSR          |               |
|  |                 |   | $1.6\text{ V} \leq AV_{REFP} \leq 5.5\text{ V}$ Note 5 |       |                               |            | $\pm 0.60$    | %FSR          |
| Full-scale error <sup>Notes 1, 2</sup>         | E <sub>FS</sub> | 10-bit resolution<br>$EV_{DD0} = AV_{REFP} = V_{DD}$ Notes 3, 4 | $1.8\text{ V} \leq AV_{REFP} \leq 5.5\text{ V}$        |       |                               | $\pm 0.35$ | %FSR          |               |
|  |                 |   | $1.6\text{ V} \leq AV_{REFP} \leq 5.5\text{ V}$ Note 5 |       |                               |            | $\pm 0.60$    | %FSR          |
| Integral linearity error <sup>Note 1</sup>     | ILE             | 10-bit resolution<br>$EV_{DD0} = AV_{REFP} = V_{DD}$ Notes 3, 4 | $1.8\text{ V} \leq AV_{REFP} \leq 5.5\text{ V}$        |       |                               | $\pm 3.5$  | LSB           |               |
|  |                 |   | $1.6\text{ V} \leq AV_{REFP} \leq 5.5\text{ V}$ Note 5 |       |                               |            | $\pm 6.0$     | LSB           |
| Differential linearity error <sup>Note 1</sup> | DLE             | 10-bit resolution<br>$EV_{DD0} = AV_{REFP} = V_{DD}$ Notes 3, 4 | $1.8\text{ V} \leq AV_{REFP} \leq 5.5\text{ V}$        |       |                               | $\pm 2.0$  | LSB           |               |
|  |                 |   | $1.6\text{ V} \leq AV_{REFP} \leq 5.5\text{ V}$ Note 5 |       |                               |            | $\pm 2.5$     | LSB           |
| Analog input voltage                           | $V_{AIN}$       | ANI16 to ANI26  | 0  |       | $AV_{REFP}$<br>and $EV_{DD0}$ | V          |               |               |

**Notes** 1. Excludes quantization error ( $\pm 1/2$  LSB).

2. This value is indicated as a ratio (%FSR) to the full-scale value.

3. When  $AV_{REFP} < V_{DD}$ , the MAX. values are as follows.

Overall error: Add  $\pm 1.0$  LSB to the MAX. value when  $AV_{REFP} = V_{DD}$ .

Zero-scale error/Full-scale error: Add  $\pm 0.05\%$ FSR to the MAX. value when  $AV_{REFP} = V_{DD}$ .

Integral linearity error/ Differential linearity error: Add  $\pm 0.5$  LSB to the MAX. value when  $AV_{REFP} = V_{DD}$ .

4. When  $AV_{REFP} < EV_{DD0} \leq V_{DD}$ , the MAX. values are as follows.

Overall error: Add  $\pm 4.0$  LSB to the MAX. value when  $AV_{REFP} = V_{DD}$ .

Zero-scale error/Full-scale error: Add  $\pm 0.20\%$ FSR to the MAX. value when  $AV_{REFP} = V_{DD}$ .

Integral linearity error/ Differential linearity error: Add  $\pm 2.0$  LSB to the MAX. value when  $AV_{REFP} = V_{DD}$ .

5. When the conversion time is set to 57  $\mu\text{s}$  (min.) and 95  $\mu\text{s}$  (max.).



(3) When reference voltage (+) =  $V_{DD}$  (ADREFP1 = 0, ADREFP0 = 0), reference voltage (-) =  $V_{SS}$  (ADREFM = 0), target pin : ANI0 to ANI14, ANI16 to ANI26, internal reference voltage, and temperature sensor output voltage

( $T_A = -40$  to  $+85^\circ\text{C}$ ,  $1.6\text{ V} \leq EV_{DD0} = EV_{DD1} \leq V_{DD} \leq 5.5\text{ V}$ ,  $V_{SS} = EV_{SS0} = EV_{SS1} = 0\text{ V}$ , Reference voltage (+) =  $V_{DD}$ , Reference voltage (-) =  $V_{SS}$ )

| Parameter                                      | Symbol     | Conditions   | MIN.   | TYP.   | MAX.       | Unit       |               |
|--|------------|--|--|--------|------------|------------|---------------|
| Resolution                                     | RES        |  | 8  |        | 10         | bit        |               |
| Overall error <sup>Note 1</sup>                | AINL       | 10-bit resolution  | $1.8\text{ V} \leq V_{DD} \leq 5.5\text{ V}$           |        | 1.2        | $\pm 7.0$  | LSB           |
|  |            |  | $1.6\text{ V} \leq V_{DD} \leq 5.5\text{ V}$<br>Note 3 |        | 1.2        | $\pm 10.5$ | LSB           |
| Conversion time                                | $t_{CONV}$ | 10-bit resolution<br>Target pin: ANI0 to ANI14,<br>ANI16 to ANI26  | $3.6\text{ V} \leq V_{DD} \leq 5.5\text{ V}$           | 2.125  |            | 39         | $\mu\text{s}$ |
|  |            |  | $2.7\text{ V} \leq V_{DD} \leq 5.5\text{ V}$           | 3.1875 |            | 39         | $\mu\text{s}$ |
|  |            |  | $1.8\text{ V} \leq V_{DD} \leq 5.5\text{ V}$           | 17     |            | 39         | $\mu\text{s}$ |
|  |            |  | $1.6\text{ V} \leq V_{DD} \leq 5.5\text{ V}$           | 57     |            | 95         | $\mu\text{s}$ |
| Conversion time                                | $t_{CONV}$ | 10-bit resolution<br>Target pin: Internal<br>reference voltage, and<br>temperature sensor output<br>voltage (HS (high-speed<br>main) mode) | $3.6\text{ V} \leq V_{DD} \leq 5.5\text{ V}$           | 2.375  |            | 39         | $\mu\text{s}$ |
|  |            |  | $2.7\text{ V} \leq V_{DD} \leq 5.5\text{ V}$           | 3.5625 |            | 39         | $\mu\text{s}$ |
|  |            |  | $2.4\text{ V} \leq V_{DD} \leq 5.5\text{ V}$           | 17     |            | 39         | $\mu\text{s}$ |
| Zero-scale error <sup>Notes 1, 2</sup>         | $E_{ZS}$   | 10-bit resolution  | $1.8\text{ V} \leq V_{DD} \leq 5.5\text{ V}$           |        |            | $\pm 0.60$ | %FSR          |
|  |            |  | $1.6\text{ V} \leq V_{DD} \leq 5.5\text{ V}$<br>Note 3 |        |            | $\pm 0.85$ | %FSR          |
| Full-scale error <sup>Notes 1, 2</sup>         | $E_{FS}$   | 10-bit resolution  | $1.8\text{ V} \leq V_{DD} \leq 5.5\text{ V}$           |        |            | $\pm 0.60$ | %FSR          |
|  |            |  | $1.6\text{ V} \leq V_{DD} \leq 5.5\text{ V}$<br>Note 3 |        |            | $\pm 0.85$ | %FSR          |
| Integral linearity error <sup>Note 1</sup>     | ILE        | 10-bit resolution  | $1.8\text{ V} \leq V_{DD} \leq 5.5\text{ V}$           |        |            | $\pm 4.0$  | LSB           |
|  |            |  | $1.6\text{ V} \leq V_{DD} \leq 5.5\text{ V}$<br>Note 3 |        |            | $\pm 6.5$  | LSB           |
| Differential linearity error <sup>Note 1</sup> | DLE        | 10-bit resolution  | $1.8\text{ V} \leq V_{DD} \leq 5.5\text{ V}$           |        |            | $\pm 2.0$  | LSB           |
|  |            |  | $1.6\text{ V} \leq V_{DD} \leq 5.5\text{ V}$<br>Note 3 |        |            | $\pm 2.5$  | LSB           |
| Analog input voltage                           | $V_{AIN}$  | ANI0 to ANI14  | 0  |        | $V_{DD}$   | V          |               |
|  |            | ANI16 to ANI26   | 0  |        | $EV_{DD0}$ | V          |               |
|  |            | Internal reference voltage<br>( $2.4\text{ V} \leq V_{DD} \leq 5.5\text{ V}$ , HS (high-speed main) mode)                                  | $V_{BGR}$ Note 4                                       |        |            |            | V             |
|  |            | Temperature sensor output voltage<br>( $2.4\text{ V} \leq V_{DD} \leq 5.5\text{ V}$ , HS (high-speed main) mode)                           | $V_{TMPS25}$ Note 4                                    |        |            |            | V             |

**Notes** 1. Excludes quantization error ( $\pm 1/2$  LSB).

2. This value is indicated as a ratio (%FSR) to the full-scale value.

3. When the conversion time is set to 57  $\mu\text{s}$  (min.) and 95  $\mu\text{s}$  (max.).

4. Refer to **2.6.2 Temperature sensor/internal reference voltage characteristics**.

(4) When reference voltage (+) = Internal reference voltage (ADREFP1 = 1, ADREFP0 = 0), reference voltage (-) =  $AV_{REFM}/ANI1$  (ADREFM = 1), target pin : ANI0, ANI2 to ANI14, ANI16 to ANI26

( $T_A = -40$  to  $+85^\circ\text{C}$ ,  $2.4\text{ V} \leq V_{DD} \leq 5.5\text{ V}$ ,  $1.6\text{ V} \leq EV_{DD0} = EV_{DD1} \leq V_{DD}$ ,  $V_{SS} = EV_{SS0} = EV_{SS1} = 0\text{ V}$ , Reference voltage (+) =  $V_{BGR}$  <sup>Note 3</sup>, Reference voltage (-) =  $AV_{REFM} = 0\text{ V}$  <sup>Note 4</sup>, HS (high-speed main) mode)

| Parameter                                      | Symbol     | Conditions       |  | MIN. | TYP. | MAX.                        | Unit          |
|--|------------|------------------|--|------|------|-----------------------------|---------------|
| Resolution                                     | RES        |                  |  | 8    |      |                             | bit           |
| Conversion time                                | $t_{CONV}$ | 8-bit resolution | $2.4\text{ V} \leq V_{DD} \leq 5.5\text{ V}$ | 17   |      | 39                          | $\mu\text{s}$ |
| Zero-scale error <sup>Notes 1, 2</sup>         | $E_{ZS}$   | 8-bit resolution | $2.4\text{ V} \leq V_{DD} \leq 5.5\text{ V}$ |      |      | $\pm 0.60$                  | %FSR          |
| Integral linearity error <sup>Note 1</sup>     | ILE        | 8-bit resolution | $2.4\text{ V} \leq V_{DD} \leq 5.5\text{ V}$ |      |      | $\pm 2.0$                   | LSB           |
| Differential linearity error <sup>Note 1</sup> | DLE        | 8-bit resolution | $2.4\text{ V} \leq V_{DD} \leq 5.5\text{ V}$ |      |      | $\pm 1.0$                   | LSB           |
| Analog input voltage                           | $V_{AIN}$  |                  |  | 0    |      | $V_{BGR}$ <sup>Note 3</sup> | V             |

**Notes** 1. Excludes quantization error ( $\pm 1/2$  LSB).

2. This value is indicated as a ratio (%FSR) to the full-scale value.

3. Refer to **2.6.2 Temperature sensor/internal reference voltage characteristics**.

4. When reference voltage (-) =  $V_{SS}$ , the MAX. values are as follows.

Zero-scale error: Add  $\pm 0.35\%$ FSR to the MAX. value when reference voltage (-) =  $AV_{REFM}$ .

Integral linearity error: Add  $\pm 0.5$  LSB to the MAX. value when reference voltage (-) =  $AV_{REFM}$ .

Differential linearity error: Add  $\pm 0.2$  LSB to the MAX. value when reference voltage (-) =  $AV_{REFM}$ .

### 2.6.2 Temperature sensor/internal reference voltage characteristics

( $T_A = -40$  to  $+85^\circ\text{C}$ ,  $2.4\text{ V} \leq V_{DD} \leq 5.5\text{ V}$ ,  $V_{SS} = 0\text{ V}$ , HS (high-speed main) mode)

| Parameter                         | Symbol      | Conditions  | MIN. | TYP. | MAX. | Unit                 |
|-----------------------------------|-------------|---|------|------|------|----------------------|
| Temperature sensor output voltage | $V_{TMS25}$ | Setting ADS register = 80H, $T_A = +25^\circ\text{C}$ |      | 1.05 |      | V                    |
| Internal reference voltage        | $V_{BGR}$   | Setting ADS register = 81H                            | 1.38 | 1.45 | 1.5  | V                    |
| Temperature coefficient           | $F_{VTMS}$  | Temperature sensor that depends on the temperature    |      | -3.6 |      | mV/ $^\circ\text{C}$ |
| Operation stabilization wait time | $t_{AMP}$   |   | 5    |      |      | $\mu\text{s}$        |

### 2.6.3 POR circuit characteristics

( $T_A = -40$  to  $+85^\circ\text{C}$ ,  $V_{SS} = 0\text{ V}$ )

| Parameter                           | Symbol    | Conditions             | MIN. | TYP. | MAX. | Unit          |
|-------------------------------------|-----------|------------------------|------|------|------|---------------|
| Detection voltage                   | $V_{POR}$ | Power supply rise time | 1.47 | 1.51 | 1.55 | V             |
|                                     | $V_{PDR}$ | Power supply fall time | 1.46 | 1.50 | 1.54 | V             |
| Minimum pulse width <sup>Note</sup> | $T_{PW}$  |                        | 300  |      |      | $\mu\text{s}$ |

**Note** Minimum time required for a POR reset when  $V_{DD}$  exceeds below  $V_{PDR}$ . This is also the minimum time required for a POR reset from when  $V_{DD}$  exceeds below  $0.7\text{ V}$  to when  $V_{DD}$  exceeds  $V_{POR}$  while STOP mode is entered or the main system clock is stopped through setting bit 0 (HIOSTOP) and bit 7 (MSTOP) in the clock operation status control register (CSC).



## 2.6.4 LVD circuit characteristics

## LVD Detection Voltage of Reset Mode and Interrupt Mode

( $T_A = -40$  to  $+85^\circ\text{C}$ ,  $V_{PDR} \leq V_{DD} \leq 5.5$  V,  $V_{SS} = 0$  V)

| Parameter            | Symbol                 | Conditions             | MIN.                   | TYP. | MAX. | Unit          |   |
|----------------------|------------------------|------------------------|------------------------|------|------|---------------|---|
| Detection voltage    | Supply voltage level   | $V_{LVD0}$             | Power supply rise time | 3.98 | 4.06 | 4.14          | V |
|                      |                        |                        | Power supply fall time | 3.90 | 3.98 | 4.06          | V |
|                      | $V_{LVD1}$             | Power supply rise time | 3.68                   | 3.75 | 3.82 | V             |   |
|                      |                        | Power supply fall time | 3.60                   | 3.67 | 3.74 | V             |   |
|                      | $V_{LVD2}$             | Power supply rise time | 3.07                   | 3.13 | 3.19 | V             |   |
|                      |                        | Power supply fall time | 3.00                   | 3.06 | 3.12 | V             |   |
|                      | $V_{LVD3}$             | Power supply rise time | 2.96                   | 3.02 | 3.08 | V             |   |
|                      |                        | Power supply fall time | 2.90                   | 2.96 | 3.02 | V             |   |
|                      | $V_{LVD4}$             | Power supply rise time | 2.86                   | 2.92 | 2.97 | V             |   |
|                      |                        | Power supply fall time | 2.80                   | 2.86 | 2.91 | V             |   |
|                      | $V_{LVD5}$             | Power supply rise time | 2.76                   | 2.81 | 2.87 | V             |   |
|                      |                        | Power supply fall time | 2.70                   | 2.75 | 2.81 | V             |   |
|                      | $V_{LVD6}$             | Power supply rise time | 2.66                   | 2.71 | 2.76 | V             |   |
|                      |                        | Power supply fall time | 2.60                   | 2.65 | 2.70 | V             |   |
|                      | $V_{LVD7}$             | Power supply rise time | 2.56                   | 2.61 | 2.66 | V             |   |
|                      |                        | Power supply fall time | 2.50                   | 2.55 | 2.60 | V             |   |
|                      | $V_{LVD8}$             | Power supply rise time | 2.45                   | 2.50 | 2.55 | V             |   |
|                      |                        | Power supply fall time | 2.40                   | 2.45 | 2.50 | V             |   |
|                      | $V_{LVD9}$             | Power supply rise time | 2.05                   | 2.09 | 2.13 | V             |   |
|                      |                        | Power supply fall time | 2.00                   | 2.04 | 2.08 | V             |   |
|                      | $V_{LVD10}$            | Power supply rise time | 1.94                   | 1.98 | 2.02 | V             |   |
|                      |                        | Power supply fall time | 1.90                   | 1.94 | 1.98 | V             |   |
|                      | $V_{LVD11}$            | Power supply rise time | 1.84                   | 1.88 | 1.91 | V             |   |
|                      |                        | Power supply fall time | 1.80                   | 1.84 | 1.87 | V             |   |
| $V_{LVD12}$          | Power supply rise time | 1.74                   | 1.77                   | 1.81 | V    |               |   |
|                      | Power supply fall time | 1.70                   | 1.73                   | 1.77 | V    |               |   |
| $V_{LVD13}$          | Power supply rise time | 1.64                   | 1.67                   | 1.70 | V    |               |   |
|                      | Power supply fall time | 1.60                   | 1.63                   | 1.66 | V    |               |   |
| Minimum pulse width  | $t_{LW}$               |                        | 300                    |      |      | $\mu\text{s}$ |   |
| Detection delay time |                        |                        |                        |      | 300  | $\mu\text{s}$ |   |

**LVD Detection Voltage of Interrupt & Reset Mode****( $T_A = -40$  to  $+85^\circ\text{C}$ ,  $V_{PDR} \leq V_{DD} \leq 5.5$  V,  $V_{SS} = 0$  V)**

| Parameter                | Symbol              | Conditions   | MIN.                         | TYP. | MAX. | Unit |   |
|--------------------------|---------------------|--|------------------------------|------|------|------|---|
| Interrupt and reset mode | VLVDA0              | $V_{POC2}, V_{POC1}, V_{POC0} = 0, 0, 0$ , falling reset voltage | 1.60                         | 1.63 | 1.66 | V    |   |
|                          | VLVDA1              | LVIS1, LVIS0 = 1, 0  | Rising release reset voltage | 1.74 | 1.77 | 1.81 | V |
|                          |                     |  | Falling interrupt voltage    | 1.70 | 1.73 | 1.77 | V |
|                          | VLVDA2              | LVIS1, LVIS0 = 0, 1  | Rising release reset voltage | 1.84 | 1.88 | 1.91 | V |
|                          |                     |  | Falling interrupt voltage    | 1.80 | 1.84 | 1.87 | V |
|                          | VLVDA3              | LVIS1, LVIS0 = 0, 0  | Rising release reset voltage | 2.86 | 2.92 | 2.97 | V |
|                          |                     |  | Falling interrupt voltage    | 2.80 | 2.86 | 2.91 | V |
|                          | VLVDB0              | $V_{POC2}, V_{POC1}, V_{POC0} = 0, 0, 1$ , falling reset voltage | 1.80                         | 1.84 | 1.87 | V    |   |
|                          | VLVDB1              | LVIS1, LVIS0 = 1, 0  | Rising release reset voltage | 1.94 | 1.98 | 2.02 | V |
|                          |                     |  | Falling interrupt voltage    | 1.90 | 1.94 | 1.98 | V |
|                          | VLVDB2              | LVIS1, LVIS0 = 0, 1  | Rising release reset voltage | 2.05 | 2.09 | 2.13 | V |
|                          |                     |  | Falling interrupt voltage    | 2.00 | 2.04 | 2.08 | V |
|                          | VLVDB3              | LVIS1, LVIS0 = 0, 0  | Rising release reset voltage | 3.07 | 3.13 | 3.19 | V |
|                          |                     |  | Falling interrupt voltage    | 3.00 | 3.06 | 3.12 | V |
|                          | VLVDC0              | $V_{POC2}, V_{POC1}, V_{POC0} = 0, 1, 0$ , falling reset voltage | 2.40                         | 2.45 | 2.50 | V    |   |
|                          | VLVDC1              | LVIS1, LVIS0 = 1, 0  | Rising release reset voltage | 2.56 | 2.61 | 2.66 | V |
|                          |                     |  | Falling interrupt voltage    | 2.50 | 2.55 | 2.60 | V |
|                          | VLVDC2              | LVIS1, LVIS0 = 0, 1  | Rising release reset voltage | 2.66 | 2.71 | 2.76 | V |
|                          |                     |  | Falling interrupt voltage    | 2.60 | 2.65 | 2.70 | V |
|                          | VLVDC3              | LVIS1, LVIS0 = 0, 0  | Rising release reset voltage | 3.68 | 3.75 | 3.82 | V |
|                          |                     |  | Falling interrupt voltage    | 3.60 | 3.67 | 3.74 | V |
|                          | VLVDD0              | $V_{POC2}, V_{POC1}, V_{POC0} = 0, 1, 1$ , falling reset voltage | 2.70                         | 2.75 | 2.81 | V    |   |
|                          | VLVDD1              | LVIS1, LVIS0 = 1, 0  | Rising release reset voltage | 2.86 | 2.92 | 2.97 | V |
|                          |                     |  | Falling interrupt voltage    | 2.80 | 2.86 | 2.91 | V |
| VLVDD2                   | LVIS1, LVIS0 = 0, 1 | Rising release reset voltage                                     | 2.96                         | 3.02 | 3.08 | V    |   |
|                          |                     | Falling interrupt voltage  | 2.90                         | 2.96 | 3.02 | V    |   |
| VLVDD3                   | LVIS1, LVIS0 = 0, 0 | Rising release reset voltage                                     | 3.98                         | 4.06 | 4.14 | V    |   |
|                          |                     | Falling interrupt voltage  | 3.90                         | 3.98 | 4.06 | V    |   |

**2.6.5 Power supply voltage rising slope characteristics****( $T_A = -40$  to  $+85^\circ\text{C}$ ,  $V_{SS} = 0$  V)**

| Parameter                         | Symbol    | Conditions | MIN. | TYP. | MAX. | Unit |
|-----------------------------------|-----------|------------|------|------|------|------|
| Power supply voltage rising slope | $S_{VDD}$ |            |      |      | 54   | V/ms |

**Caution** Make sure to keep the internal reset state by the LVD circuit or an external reset until  $V_{DD}$  reaches the operating voltage range shown in 2.4 AC Characteristics.

### 2.7 RAM Data Retention Characteristics

(T<sub>A</sub> = -40 to +85°C, V<sub>SS</sub> = 0 V)

| Parameter                     | Symbol            | Conditions | MIN.                 | TYP. | MAX. | Unit |
|-------------------------------|-------------------|------------|----------------------|------|------|------|
| Data retention supply voltage | V <sub>DDDR</sub> |            | 1.46 <sup>Note</sup> |      | 5.5  | V    |

**Note** This depends on the POR detection voltage. For a falling voltage, data in RAM are retained until the voltage reaches the level that triggers a POR reset but not once it reaches the level at which a POR reset is generated.



### 2.8 Flash Memory Programming Characteristics

(T<sub>A</sub> = -40 to +85°C, 1.8 V ≤ V<sub>DD</sub> ≤ 5.5 V, V<sub>SS</sub> = 0 V)

| Parameter   | Symbol            | Conditions                                     | MIN.    | TYP.      | MAX. | Unit  |
|---|-------------------|--|---------|-----------|------|-------|
| CPU/peripheral hardware clock frequency                       | f <sub>CLK</sub>  | 1.8 V ≤ V <sub>DD</sub> ≤ 5.5 V                | 1       |           | 32   | MHz   |
| Number of code flash rewrites<br><small>Notes 1, 2, 3</small> | C <sub>enwr</sub> | Retained for 20 years<br>T <sub>A</sub> = 85°C | 1,000   |           |      | Times |
| Number of data flash rewrites<br><small>Notes 1, 2, 3</small> |                   | Retained for 1 years<br>T <sub>A</sub> = 25°C  |         | 1,000,000 |      |       |
|   |                   | Retained for 5 years<br>T <sub>A</sub> = 85°C  | 100,000 |           |      |       |
|   |                   | Retained for 20 years<br>T <sub>A</sub> = 85°C | 10,000  |           |      |       |

- Notes**
- 1 erase + 1 write after the erase is regarded as 1 rewrite.  
The retaining years are until next rewrite after the rewrite.
  2. When using flash memory programmer and Renesas Electronics self programming library
  3. These are the characteristics of the flash memory and the results obtained from reliability testing by Renesas Electronics Corporation.

### 2.9 Dedicated Flash Memory Programmer Communication (UART)

(T<sub>A</sub> = -40 to +85°C, 1.8 V ≤ EV<sub>DD0</sub> = EV<sub>DD1</sub> ≤ V<sub>DD</sub> ≤ 5.5 V, V<sub>SS</sub> = EV<sub>SS0</sub> = EV<sub>SS1</sub> = 0 V)

| Parameter     | Symbol | Conditions                | MIN.    | TYP. | MAX.      | Unit |
|---------------|--------|---------------------------|---------|------|-----------|------|
| Transfer rate |        | During serial programming | 115,200 |      | 1,000,000 | bps  |

### 2.10 Timing of Entry to Flash Memory Programming Modes

(T<sub>A</sub> = -40 to +85°C, 1.8 V ≤ EV<sub>DD0</sub> = EV<sub>DD1</sub> ≤ V<sub>DD</sub> ≤ 5.5 V, V<sub>SS</sub> = EV<sub>SS0</sub> = EV<sub>SS1</sub> = 0 V)

| Parameter  | Symbol              | Conditions  | MIN. | TYP. | MAX. | Unit |
|--|---------------------|---|------|------|------|------|
| Time to complete the communication for the initial setting after the external reset is released  | t <sub>SUINIT</sub> | POR and LVD reset must be released before the external reset is released. |      |      | 100  | ms   |
| Time to release the external reset after the TOOL0 pin is set to the low level   | t <sub>SU</sub>     | POR and LVD reset must be released before the external reset is released. | 10   |      |      | μs   |
| Time to hold the TOOL0 pin at the low level after the external reset is released (excluding the processing time of the firmware to control the flash memory) | t <sub>HD</sub>     | POR and LVD reset must be released before the external reset is released. | 1    |      |      | ms   |



- <1> The low level is input to the TOOL0 pin.
- <2> The external reset is released (POR and LVD reset must be released before the external reset is released.).
- <3> The TOOL0 pin is set to the high level.
- <4> Setting of the flash memory programming mode by UART reception and complete the baud rate setting.

**Remark** t<sub>SUINIT</sub>: Communication for the initial setting must be completed within 100 ms after the external reset is released during this period.

t<sub>SU</sub>: Time to release the external reset after the TOOL0 pin is set to the low level

t<sub>HD</sub>: Time to hold the TOOL0 pin at the low level after the external reset is released (excluding the processing time of the firmware to control the flash memory)

### 3. ELECTRICAL SPECIFICATIONS

#### (G: INDUSTRIAL APPLICATIONS $T_A = -40$ to $+105^\circ\text{C}$ )

This chapter describes the following electrical specifications.

Target products G: Industrial applications  $T_A = -40$  to  $+105^\circ\text{C}$

R5F100xxGxx

- Cautions**
1. The RL78 microcontrollers have an on-chip debug function, which is provided for development and evaluation. Do not use the on-chip debug function in products designated for mass production, because the guaranteed number of rewritable times of the flash memory may be exceeded when this function is used, and product reliability therefore cannot be guaranteed. Renesas Electronics is not liable for problems occurring when the on-chip debug function is used.
  2. With products not provided with an  $\text{EV}_{\text{DD0}}$ ,  $\text{EV}_{\text{DD1}}$ ,  $\text{EV}_{\text{SS0}}$ , or  $\text{EV}_{\text{SS1}}$  pin, replace  $\text{EV}_{\text{DD0}}$  and  $\text{EV}_{\text{DD1}}$  with  $V_{\text{DD}}$ , or replace  $\text{EV}_{\text{SS0}}$  and  $\text{EV}_{\text{SS1}}$  with  $V_{\text{SS}}$ .
  3. The pins mounted depend on the product. Refer to 2.1 Port Function to 2.2.1 Functions for each product in the RL78/G13 User's Manual.
  4. Please contact Renesas Electronics sales office for derating of operation under  $T_A = +85^\circ\text{C}$  to  $+105^\circ\text{C}$ . Derating is the systematic reduction of load for the sake of improved reliability.

**Remark** When RL78/G13 is used in the range of  $T_A = -40$  to  $+85^\circ\text{C}$ , see 2. ELECTRICAL SPECIFICATIONS ( $T_A = -40$  to  $+85^\circ\text{C}$ ).

There are following differences between the products "G: Industrial applications ( $T_A = -40$  to  $+105^\circ\text{C}$ )" and the products "A: Consumer applications, and D: Industrial applications".

| Parameter                                    | Application  |  |
|--|--|--|
|  | A: Consumer applications,<br>D: Industrial applications  | G: Industrial applications   |
| Operating ambient temperature                | $T_A = -40$ to $+85^\circ\text{C}$   | $T_A = -40$ to $+105^\circ\text{C}$  |
| Operating mode<br>Operating voltage range    | HS (high-speed main) mode:<br>$2.7\text{ V} \leq V_{\text{DD}} \leq 5.5\text{ V}@1\text{ MHz}$ to $32\text{ MHz}$<br>$2.4\text{ V} \leq V_{\text{DD}} \leq 5.5\text{ V}@1\text{ MHz}$ to $16\text{ MHz}$<br>LS (low-speed main) mode:<br>$1.8\text{ V} \leq V_{\text{DD}} \leq 5.5\text{ V}@1\text{ MHz}$ to $8\text{ MHz}$<br>LV (low-voltage main) mode:<br>$1.6\text{ V} \leq V_{\text{DD}} \leq 5.5\text{ V}@1\text{ MHz}$ to $4\text{ MHz}$ | HS (high-speed main) mode only:<br>$2.7\text{ V} \leq V_{\text{DD}} \leq 5.5\text{ V}@1\text{ MHz}$ to $32\text{ MHz}$<br>$2.4\text{ V} \leq V_{\text{DD}} \leq 5.5\text{ V}@1\text{ MHz}$ to $16\text{ MHz}$    |
| High-speed on-chip oscillator clock accuracy | $1.8\text{ V} \leq V_{\text{DD}} \leq 5.5\text{ V}$<br>$\pm 1.0\%$ @ $T_A = -20$ to $+85^\circ\text{C}$<br>$\pm 1.5\%$ @ $T_A = -40$ to $-20^\circ\text{C}$<br>$1.6\text{ V} \leq V_{\text{DD}} < 1.8\text{ V}$<br>$\pm 5.0\%$ @ $T_A = -20$ to $+85^\circ\text{C}$<br>$\pm 5.5\%$ @ $T_A = -40$ to $-20^\circ\text{C}$  | $2.4\text{ V} \leq V_{\text{DD}} \leq 5.5\text{ V}$<br>$\pm 2.0\%$ @ $T_A = +85$ to $+105^\circ\text{C}$<br>$\pm 1.0\%$ @ $T_A = -20$ to $+85^\circ\text{C}$<br>$\pm 1.5\%$ @ $T_A = -40$ to $-20^\circ\text{C}$ |
| Serial array unit                            | UART<br>CSI: $f_{\text{CLK}}/2$ (supporting 16 Mbps), $f_{\text{CLK}}/4$<br>Simplified I <sup>2</sup> C communication  | UART<br>CSI: $f_{\text{CLK}}/4$<br>Simplified I <sup>2</sup> C communication   |
| IICA   | Normal mode<br>Fast mode<br>Fast mode plus   | Normal mode<br>Fast mode   |
| Voltage detector                             | Rise detection voltage: 1.67 V to 4.06 V (14 levels)<br>Fall detection voltage: 1.63 V to 3.98 V (14 levels)   | Rise detection voltage: 2.61 V to 4.06 V (8 levels)<br>Fall detection voltage: 2.55 V to 3.98 V (8 levels)   |

(Remark is listed on the next page.)



**Remark** The electrical characteristics of the products G: Industrial applications ( $T_A = -40$  to  $+105^\circ\text{C}$ ) are different from those of the products “A: Consumer applications, and D: Industrial applications”. For details, refer to **3.1** to **3.10**.

### 3.1 Absolute Maximum Ratings

#### Absolute Maximum Ratings ( $T_A = 25^\circ\text{C}$ ) (1/2)

| Parameter              | Symbols              | Conditions  | Ratings   | Unit |
|------------------------|----------------------|---|---|------|
| Supply voltage         | $V_{DD}$             |   | -0.5 to +6.5  | V    |
|                        | $EV_{DD0}, EV_{DD1}$ | $EV_{DD0} = EV_{DD1}$   | -0.5 to +6.5  | V    |
|                        | $EV_{SS0}, EV_{SS1}$ | $EV_{SS0} = EV_{SS1}$   | -0.5 to +0.3  | V    |
| REGC pin input voltage | $V_{IREGC}$          | REGC  | -0.3 to +2.8<br>and -0.3 to $V_{DD} + 0.3$ <sup>Note 1</sup>                      | V    |
| Input voltage          | $V_{I1}$             | P00 to P07, P10 to P17, P30 to P37, P40 to P47,<br>P50 to P57, P64 to P67, P70 to P77, P80 to P87,<br>P90 to P97, P100 to P106, P110 to P117, P120,<br>P125 to P127, P140 to P147       | -0.3 to $EV_{DD0} + 0.3$<br>and -0.3 to $V_{DD} + 0.3$ <sup>Note 2</sup>          | V    |
|                        | $V_{I2}$             | P60 to P63 (N-ch open-drain)  | -0.3 to +6.5  | V    |
|                        | $V_{I3}$             | P20 to P27, P121 to P124, P137, P150 to P156,<br>EXCLK, EXCLKS, RESET   | -0.3 to $V_{DD} + 0.3$ <sup>Note 2</sup>  | V    |
| Output voltage         | $V_{O1}$             | P00 to P07, P10 to P17, P30 to P37, P40 to P47,<br>P50 to P57, P60 to P67, P70 to P77, P80 to P87,<br>P90 to P97, P100 to P106, P110 to P117, P120,<br>P125 to P127, P130, P140 to P147 | -0.3 to $EV_{DD0} + 0.3$<br>and -0.3 to $V_{DD} + 0.3$ <sup>Note 2</sup>          | V    |
|                        | $V_{O2}$             | P20 to P27, P150 to P156  | -0.3 to $V_{DD} + 0.3$ <sup>Note 2</sup>  | V    |
| Analog input voltage   | $V_{AI1}$            | ANI16 to ANI26  | -0.3 to $EV_{DD0} + 0.3$<br>and -0.3 to $AV_{REF(+)} + 0.3$ <sup>Notes 2, 3</sup> | V    |
|                        | $V_{AI2}$            | ANI0 to ANI14   | -0.3 to $V_{DD} + 0.3$<br>and -0.3 to $AV_{REF(+)} + 0.3$ <sup>Notes 2, 3</sup>   | V    |

- Notes 1.** Connect the REGC pin to  $V_{SS}$  via a capacitor (0.47 to 1  $\mu\text{F}$ ). This value regulates the absolute maximum rating of the REGC pin. Do not use this pin with voltage applied to it.
- 2.** Must be 6.5 V or lower.
- 3.** Do not exceed  $AV_{REF(+)} + 0.3$  V in case of A/D conversion target pin.

**Caution** Product quality may suffer if the absolute maximum rating is exceeded even momentarily for any parameter. That is, the absolute maximum ratings are rated values at which the product is on the verge of suffering physical damage, and therefore the product must be used under conditions that ensure that the absolute maximum ratings are not exceeded.

- Remarks 1.** Unless specified otherwise, the characteristics of alternate-function pins are the same as those of the port pins.
- 2.**  $AV_{REF(+)}$ : + side reference voltage of the A/D converter.
- 3.**  $V_{SS}$ : Reference voltage

**Absolute Maximum Ratings ( $T_A = 25^\circ\text{C}$ ) (2/2)**

| Parameter                     | Symbols                          | Conditions                   |  | Ratings  | Unit |
|-------------------------------|----------------------------------|------------------------------|--|--|------|
| Output current, high          | I <sub>OH1</sub>                 | Per pin                      | P00 to P07, P10 to P17,<br>P30 to P37, P40 to P47,<br>P50 to P57, P64 to P67,<br>P70 to P77, P80 to P87,<br>P90 to P97, P100 to P106,<br>P110 to P117, P120,<br>P125 to P127, P130, P140 to P147 | -40  | mA   |
|                               |                                  | Total of all pins<br>-170 mA | P00 to P04, P07, P32 to P37,<br>P40 to P47, P102 to P106, P120,<br>P125 to P127, P130, P140 to P145  | -70  | mA   |
|                               |                                  |                              | P05, P06, P10 to P17, P30, P31,<br>P50 to P57, P64 to P67,<br>P70 to P77, P80 to P87,<br>P90 to P97, P100, P101,<br>P110 to P117, P146, P147   | -100   | mA   |
|                               | I <sub>OH2</sub>                 | Per pin                      | P20 to P27, P150 to P156   | -0.5   | mA   |
|                               |                                  | Total of all pins            |  | -2   | mA   |
|                               | Output current, low              | I <sub>OL1</sub>             | Per pin  | P00 to P07, P10 to P17,<br>P30 to P37, P40 to P47,<br>P50 to P57, P60 to P67,<br>P70 to P77, P80 to P87,<br>P90 to P97, P100 to P106,<br>P110 to P117, P120,<br>P125 to P127, P130, P140 to P147 | 40   |
| Total of all pins<br>170 mA   |                                  |                              | P00 to P04, P07, P32 to P37,<br>P40 to P47, P102 to P106, P120,<br>P125 to P127, P130, P140 to P145  | 70   | mA   |
|                               |                                  |                              | P05, P06, P10 to P17, P30, P31,<br>P50 to P57, P60 to P67,<br>P70 to P77, P80 to P87,<br>P90 to P97, P100, P101,<br>P110 to P117, P146, P147   | 100  | mA   |
| I <sub>OL2</sub>              |                                  | Per pin                      | P20 to P27, P150 to P156   | 1  | mA   |
|                               |                                  | Total of all pins            |  | 5  | mA   |
| Operating ambient temperature |                                  | T <sub>A</sub>               | In normal operation mode   | -40 to +105  | °C   |
|                               | In flash memory programming mode |                              |  |  |      |
| Storage temperature           | T <sub>stg</sub>                 |                              | -65 to +150  | °C   |      |

**Caution** Product quality may suffer if the absolute maximum rating is exceeded even momentarily for any parameter. That is, the absolute maximum ratings are rated values at which the product is on the verge of suffering physical damage, and therefore the product must be used under conditions that ensure that the absolute maximum ratings are not exceeded.

**Remark** Unless specified otherwise, the characteristics of alternate-function pins are the same as those of the port pins.

### 3.2 Oscillator Characteristics

#### 3.2.1 X1, XT1 oscillator characteristics

( $T_A = -40$  to  $+105^\circ\text{C}$ ,  $2.4\text{ V} \leq V_{DD} \leq 5.5\text{ V}$ ,  $V_{SS} = 0\text{ V}$ )

| Parameter   | Resonator                               | Conditions                                   | MIN. | TYP.   | MAX. | Unit |
|---|---|--|------|--------|------|------|
| X1 clock oscillation frequency ( $f_x$ ) <sup>Note</sup>  | Ceramic resonator/<br>crystal resonator | $2.7\text{ V} \leq V_{DD} \leq 5.5\text{ V}$ | 1.0  |        | 20.0 | MHz  |
|   |   | $2.4\text{ V} \leq V_{DD} < 2.7\text{ V}$    | 1.0  |        | 16.0 | MHz  |
| XT1 clock oscillation frequency ( $f_x$ ) <sup>Note</sup> | Crystal resonator                       |  | 32   | 32.768 | 35   | kHz  |

**Note** Indicates only permissible oscillator frequency ranges. Refer to AC Characteristics for instruction execution time. Request evaluation by the manufacturer of the oscillator circuit mounted on a board to check the oscillator characteristics.

**Caution** Since the CPU is started by the high-speed on-chip oscillator clock after a reset release, check the X1 clock oscillation stabilization time using the oscillation stabilization time counter status register (OSTC) by the user. Determine the oscillation stabilization time of the OSTC register and the oscillation stabilization time select register (OSTS) after sufficiently evaluating the oscillation stabilization time with the resonator to be used.

**Remark** When using the X1 oscillator and XT1 oscillator, refer to 5.4 System Clock Oscillator in the RL78/G13 User's Manual.

#### 3.2.2 On-chip oscillator characteristics

( $T_A = -40$  to  $+105^\circ\text{C}$ ,  $2.4\text{ V} \leq V_{DD} \leq 5.5\text{ V}$ ,  $V_{SS} = 0\text{ V}$ )

| Oscillators   | Parameters | Conditions                    |  | MIN. | TYP. | MAX. | Unit |
|---|------------|-------------------------------|--|------|------|------|------|
| High-speed on-chip oscillator clock frequency <sup>Notes 1, 2</sup> | $f_{IH}$   |                               |  | 1    |      | 32   | MHz  |
| High-speed on-chip oscillator clock frequency accuracy              |            | $-20$ to $+85^\circ\text{C}$  | $2.4\text{ V} \leq V_{DD} \leq 5.5\text{ V}$ | -1.0 |      | +1.0 | %    |
|   |            | $-40$ to $-20^\circ\text{C}$  | $2.4\text{ V} \leq V_{DD} \leq 5.5\text{ V}$ | -1.5 |      | +1.5 | %    |
|   |            | $+85$ to $+105^\circ\text{C}$ | $2.4\text{ V} \leq V_{DD} \leq 5.5\text{ V}$ | -2.0 |      | +2.0 | %    |
| Low-speed on-chip oscillator clock frequency                        | $f_{IL}$   |                               |  |      | 15   |      | kHz  |
| Low-speed on-chip oscillator clock frequency accuracy               |            |                               |  | -15  |      | +15  | %    |

**Notes 1.** High-speed on-chip oscillator frequency is selected by bits 0 to 3 of option byte (000C2H/010C2H) and bits 0 to 2 of HOCODIV register.

**2.** This indicates the oscillator characteristics only. Refer to AC Characteristics for instruction execution time.

### 3.3 DC Characteristics

#### 3.3.1 Pin characteristics

( $T_A = -40$  to  $+105^\circ\text{C}$ ,  $2.4\text{ V} \leq EV_{DD0} = EV_{DD1} \leq V_{DD} \leq 5.5\text{ V}$ ,  $V_{SS} = EV_{SS0} = EV_{SS1} = 0\text{ V}$ ) (1/5)

| Items                                  | Symbol  | Conditions   | MIN.   | TYP. | MAX.  | Unit                   |    |
|--|---|--|--|------|-------|------------------------|----|
| Output current, high <sup>Note 1</sup> | IOH1  | Per pin for P00 to P07, P10 to P17, P30 to P37, P40 to P47, P50 to P57, P64 to P67, P70 to P77, P80 to P87, P90 to P97, P100 to P106, P110 to P117, P120, P125 to P127, P130, P140 to P147 | $2.4\text{ V} \leq EV_{DD0} \leq 5.5\text{ V}$ |      |       | -3.0 <sup>Note 2</sup> | mA |
|  |   | Total of P00 to P04, P07, P32 to P37, P40 to P47, P102 to P106, P120, P125 to P127, P130, P140 to P145<br>(When duty $\leq 70\%$ <sup>Note 3</sup> )                                       | $4.0\text{ V} \leq EV_{DD0} \leq 5.5\text{ V}$ |      |       | -30.0                  | mA |
|  |   |  | $2.7\text{ V} \leq EV_{DD0} < 4.0\text{ V}$    |      |       | -10.0                  | mA |
|  |   |  | $2.4\text{ V} \leq EV_{DD0} < 2.7\text{ V}$    |      |       | -5.0                   | mA |
|  |   | Total of P05, P06, P10 to P17, P30, P31, P50 to P57, P64 to P67, P70 to P77, P80 to P87, P90 to P97, P100, P101, P110 to P117, P146, P147<br>(When duty $\leq 70\%$ <sup>Note 3</sup> )    | $4.0\text{ V} \leq EV_{DD0} \leq 5.5\text{ V}$ |      |       | -30.0                  | mA |
|  |   |  | $2.7\text{ V} \leq EV_{DD0} < 4.0\text{ V}$    |      |       | -19.0                  | mA |
|  | $2.4\text{ V} \leq EV_{DD0} < 2.7\text{ V}$                     |  |  |      | -10.0 | mA                     |    |
|  | Total of all pins<br>(When duty $\leq 70\%$ <sup>Note 3</sup> ) | $2.4\text{ V} \leq EV_{DD0} \leq 5.5\text{ V}$   |  |      | -60.0 | mA                     |    |
|  | IOH2  | Per pin for P20 to P27, P150 to P156   | $2.4\text{ V} \leq V_{DD} \leq 5.5\text{ V}$   |      |       | -0.1 <sup>Note 2</sup> | mA |
|  |   | Total of all pins<br>(When duty $\leq 70\%$ <sup>Note 3</sup> )  | $2.4\text{ V} \leq V_{DD} \leq 5.5\text{ V}$   |      |       | -1.5                   | mA |

**Notes** 1. Value of current at which the device operation is guaranteed even if the current flows from the  $EV_{DD0}$ ,  $EV_{DD1}$ ,  $V_{DD}$  pins to an output pin.

2. Do not exceed the total current value.

3. Specification under conditions where the duty factor  $\leq 70\%$ .

The output current value that has changed to the duty factor  $> 70\%$  the duty ratio can be calculated with the following expression (when changing the duty factor from 70% to n%).

- Total output current of pins =  $(I_{OH} \times 0.7)/(n \times 0.01)$

<Example> Where  $n = 80\%$  and  $I_{OH} = -10.0\text{ mA}$

$$\text{Total output current of pins} = (-10.0 \times 0.7)/(80 \times 0.01) \cong -8.7\text{ mA}$$

However, the current that is allowed to flow into one pin does not vary depending on the duty factor. A current higher than the absolute maximum rating must not flow into one pin.

**Caution** P00, P02 to P04, P10 to P15, P17, P43 to P45, P50, P52 to P55, P71, P74, P80 to P82, P96, and P142 to P144 do not output high level in N-ch open-drain mode.

**Remark** Unless specified otherwise, the characteristics of alternate-function pins are the same as those of the port pins.

**( $T_A = -40$  to  $+105^\circ\text{C}$ ,  $2.4\text{ V} \leq EV_{DD0} = EV_{DD1} \leq V_{DD} \leq 5.5\text{ V}$ ,  $V_{SS} = EV_{SS0} = EV_{SS1} = 0\text{ V}$ ) (2/5)**

| Items   | Symbol  | Conditions   | MIN.   | TYP. | MAX.                   | Unit                  |    |
|---|---|--|--|------|------------------------|-----------------------|----|
| Output current, $I_{OL}$ <sup>Note 1</sup>                      | I <sub>OL1</sub>  | Per pin for P00 to P07, P10 to P17, P30 to P37, P40 to P47, P50 to P57, P64 to P67, P70 to P77, P80 to P87, P90 to P97, P100 to P106, P110 to P117, P120, P125 to P127, P130, P140 to P147 |  |      | 8.5 <sup>Note 2</sup>  | mA                    |    |
|   |   | Per pin for P60 to P63   |  |      | 15.0 <sup>Note 2</sup> | mA                    |    |
|   |   | Total of P00 to P04, P07, P32 to P37, P40 to P47, P102 to P106, P120, P125 to P127, P130, P140 to P145<br>(When duty $\leq 70\%$ <sup>Note 3</sup> )                                       | $4.0\text{ V} \leq EV_{DD0} \leq 5.5\text{ V}$ |      |                        | 40.0                  | mA |
|   |   |  | $2.7\text{ V} \leq EV_{DD0} < 4.0\text{ V}$    |      |                        | 15.0                  | mA |
|   |   |  | $2.4\text{ V} \leq EV_{DD0} < 2.7\text{ V}$    |      |                        | 9.0                   | mA |
|   |   | Total of P05, P06, P10 to P17, P30, P31, P50 to P57, P60 to P67, P70 to P77, P80 to P87, P90 to P97, P100, P101, P110 to P117, P146, P147<br>(When duty $\leq 70\%$ <sup>Note 3</sup> )    | $4.0\text{ V} \leq EV_{DD0} \leq 5.5\text{ V}$ |      |                        | 40.0                  | mA |
|   |   |  | $2.7\text{ V} \leq EV_{DD0} < 4.0\text{ V}$    |      |                        | 35.0                  | mA |
|   | $2.4\text{ V} \leq EV_{DD0} < 2.7\text{ V}$                     |  |  |      | 20.0                   | mA                    |    |
|   | Total of all pins<br>(When duty $\leq 70\%$ <sup>Note 3</sup> ) |  |  |      | 80.0                   | mA                    |    |
|   | I <sub>OL2</sub>  | Per pin for P20 to P27, P150 to P156   |  |      |                        | 0.4 <sup>Note 2</sup> | mA |
| Total of all pins<br>(When duty $\leq 70\%$ <sup>Note 3</sup> ) |   | $2.4\text{ V} \leq V_{DD} \leq 5.5\text{ V}$   |  |      | 5.0                    | mA                    |    |

**Notes 1.** Value of current at which the device operation is guaranteed even if the current flows from an output pin to the  $EV_{SS0}$ ,  $EV_{SS1}$  and  $V_{SS}$  pin.

**2.** Do not exceed the total current value.

**3.** Specification under conditions where the duty factor  $\leq 70\%$ .

The output current value that has changed to the duty factor  $> 70\%$  the duty ratio can be calculated with the following expression (when changing the duty factor from 70% to n%).

- Total output current of pins =  $(I_{OL} \times 0.7)/(n \times 0.01)$

<Example> Where  $n = 80\%$  and  $I_{OL} = 10.0\text{ mA}$

$$\text{Total output current of pins} = (10.0 \times 0.7)/(80 \times 0.01) \cong 8.7\text{ mA}$$

However, the current that is allowed to flow into one pin does not vary depending on the duty factor. A current higher than the absolute maximum rating must not flow into one pin.

**Remark** Unless specified otherwise, the characteristics of alternate-function pins are the same as those of the port pins.

**( $T_A = -40$  to  $+105^\circ\text{C}$ ,  $2.4\text{ V} \leq EV_{DD0} = EV_{DD1} \leq V_{DD} \leq 5.5\text{ V}$ ,  $V_{SS} = EV_{SS0} = EV_{SS1} = 0\text{ V}$ ) (3/5)**

| Items               | Symbol   | Conditions   | MIN.   | TYP.          | MAX.        | Unit          |   |
|---------------------|--|--|--|---------------|-------------|---------------|---|
| Input voltage, high | $V_{IH1}$  | P00 to P07, P10 to P17, P30 to P37, P40 to P47, P50 to P57, P64 to P67, P70 to P77, P80 to P87, P90 to P97, P100 to P106, P110 to P117, P120, P125 to P127, P140 to P147 | Normal input buffer  | $0.8EV_{DD0}$ |             | $EV_{DD0}$    | V |
|                     | $V_{IH2}$  | P01, P03, P04, P10, P11, P13 to P17, P43, P44, P53 to P55, P80, P81, P142, P143  | TTL input buffer<br>$4.0\text{ V} \leq EV_{DD0} \leq 5.5\text{ V}$ | 2.2           |             | $EV_{DD0}$    | V |
|                     |  |  | TTL input buffer<br>$3.3\text{ V} \leq EV_{DD0} < 4.0\text{ V}$    | 2.0           |             | $EV_{DD0}$    | V |
|                     |  |  | TTL input buffer<br>$2.4\text{ V} \leq EV_{DD0} < 3.3\text{ V}$    | 1.5           |             | $EV_{DD0}$    | V |
|                     | $V_{IH3}$  | P20 to P27, P150 to P156   |  | $0.7V_{DD}$   |             | $V_{DD}$      | V |
|                     | $V_{IH4}$  | P60 to P63   |  | $0.7EV_{DD0}$ |             | 6.0           | V |
| $V_{IH5}$           | P121 to P124, P137, EXCLK, EXCLKS, $\overline{\text{RESET}}$ |  | $0.8V_{DD}$  |               | $V_{DD}$    | V             |   |
| Input voltage, low  | $V_{IL1}$  | P00 to P07, P10 to P17, P30 to P37, P40 to P47, P50 to P57, P64 to P67, P70 to P77, P80 to P87, P90 to P97, P100 to P106, P110 to P117, P120, P125 to P127, P140 to P147 | Normal input buffer  | 0             |             | $0.2EV_{DD0}$ | V |
|                     | $V_{IL2}$  | P01, P03, P04, P10, P11, P13 to P17, P43, P44, P53 to P55, P80, P81, P142, P143  | TTL input buffer<br>$4.0\text{ V} \leq EV_{DD0} \leq 5.5\text{ V}$ | 0             |             | 0.8           | V |
|                     |  |  | TTL input buffer<br>$3.3\text{ V} \leq EV_{DD0} < 4.0\text{ V}$    | 0             |             | 0.5           | V |
|                     |  |  | TTL input buffer<br>$2.4\text{ V} \leq EV_{DD0} < 3.3\text{ V}$    | 0             |             | 0.32          | V |
|                     | $V_{IL3}$  | P20 to P27, P150 to P156   |  | 0             |             | $0.3V_{DD}$   | V |
|                     | $V_{IL4}$  | P60 to P63   |  | 0             |             | $0.3EV_{DD0}$ | V |
| $V_{IL5}$           | P121 to P124, P137, EXCLK, EXCLKS, $\overline{\text{RESET}}$ |  | 0  |               | $0.2V_{DD}$ | V             |   |

**Caution** The maximum value of  $V_{IH}$  of pins P00, P02 to P04, P10 to P15, P17, P43 to P45, P50, P52 to P55, P71, P74, P80 to P82, P96, and P142 to P144 is  $EV_{DD0}$ , even in the N-ch open-drain mode.

**Remark** Unless specified otherwise, the characteristics of alternate-function pins are the same as those of the port pins.

**( $T_A = -40$  to  $+105^\circ\text{C}$ ,  $2.4\text{ V} \leq EV_{DD0} = EV_{DD1} \leq V_{DD} \leq 5.5\text{ V}$ ,  $V_{SS} = EV_{SS0} = EV_{SS1} = 0\text{ V}$ ) (4/5)**

| Items                | Symbol           | Conditions   | MIN.  | TYP.             | MAX. | Unit |
|----------------------|------------------|--|---|------------------|------|------|
| Output voltage, high | V <sub>OH1</sub> | P00 to P07, P10 to P17, P30 to P37, P40 to P47, P50 to P57, P64 to P67, P70 to P77, P80 to P87, P90 to P97, P100 to P106, P110 to P117, P120, P125 to P127, P130, P140 to P147 | $4.0\text{ V} \leq EV_{DD0} \leq 5.5\text{ V}$ ,<br>$I_{OH1} = -3.0\text{ mA}$        | $EV_{DD0} - 0.7$ |      | V    |
|                      |                  |  | $2.7\text{ V} \leq EV_{DD0} \leq 5.5\text{ V}$ ,<br>$I_{OH1} = -2.0\text{ mA}$        | $EV_{DD0} - 0.6$ |      | V    |
|                      |                  |  | $2.4\text{ V} \leq EV_{DD0} \leq 5.5\text{ V}$ ,<br>$I_{OH1} = -1.5\text{ mA}$        | $EV_{DD0} - 0.5$ |      | V    |
|                      | V <sub>OH2</sub> | P20 to P27, P150 to P156   | $2.4\text{ V} \leq V_{DD} \leq 5.5\text{ V}$ ,<br>$I_{OH2} = -100\text{ }\mu\text{A}$ | $V_{DD} - 0.5$   |      | V    |
| Output voltage, low  | V <sub>OL1</sub> | P00 to P07, P10 to P17, P30 to P37, P40 to P47, P50 to P57, P64 to P67, P70 to P77, P80 to P87, P90 to P97, P100 to P106, P110 to P117, P120, P125 to P127, P130, P140 to P147 | $4.0\text{ V} \leq EV_{DD0} \leq 5.5\text{ V}$ ,<br>$I_{OL1} = 8.5\text{ mA}$         |                  | 0.7  | V    |
|                      |                  |  | $4.0\text{ V} \leq EV_{DD0} \leq 5.5\text{ V}$ ,<br>$I_{OL1} = 3.0\text{ mA}$         |                  | 0.6  | V    |
|                      |                  |  | $2.7\text{ V} \leq EV_{DD0} \leq 5.5\text{ V}$ ,<br>$I_{OL1} = 1.5\text{ mA}$         |                  | 0.4  | V    |
|                      |                  |  | $2.4\text{ V} \leq EV_{DD0} \leq 5.5\text{ V}$ ,<br>$I_{OL1} = 0.6\text{ mA}$         |                  | 0.4  | V    |
|                      | V <sub>OL2</sub> | P20 to P27, P150 to P156   | $2.4\text{ V} \leq V_{DD} \leq 5.5\text{ V}$ ,<br>$I_{OL2} = 400\text{ }\mu\text{A}$  |                  | 0.4  | V    |
|                      | V <sub>OL3</sub> | P60 to P63   | $4.0\text{ V} \leq EV_{DD0} \leq 5.5\text{ V}$ ,<br>$I_{OL3} = 15.0\text{ mA}$        |                  | 2.0  | V    |
|                      |                  |  | $4.0\text{ V} \leq EV_{DD0} \leq 5.5\text{ V}$ ,<br>$I_{OL3} = 5.0\text{ mA}$         |                  | 0.4  | V    |
|                      |                  |  | $2.7\text{ V} \leq EV_{DD0} \leq 5.5\text{ V}$ ,<br>$I_{OL3} = 3.0\text{ mA}$         |                  | 0.4  | V    |
|                      |                  |  | $2.4\text{ V} \leq EV_{DD0} \leq 5.5\text{ V}$ ,<br>$I_{OL3} = 2.0\text{ mA}$         |                  | 0.4  | V    |

**Caution** P00, P02 to P04, P10 to P15, P17, P43 to P45, P50, P52 to P55, P71, P74, P80 to P82, P96, and P142 to P144 do not output high level in N-ch open-drain mode.

**Remark** Unless specified otherwise, the characteristics of alternate-function pins are the same as those of the port pins.

**( $T_A = -40$  to  $+105^\circ\text{C}$ ,  $2.4\text{ V} \leq EV_{DD0} = EV_{DD1} \leq V_{DD} \leq 5.5\text{ V}$ ,  $V_{SS} = EV_{SS0} = EV_{SS1} = 0\text{ V}$ ) (5/5)**

| Items                       | Symbol            | Conditions   | MIN.                             | TYP.  | MAX. | Unit |               |               |
|-----------------------------|-------------------|--|----------------------------------|---|------|------|---------------|---------------|
| Input leakage current, high | I <sub>LIH1</sub> | P00 to P07, P10 to P17,<br>P30 to P37, P40 to P47,<br>P50 to P57, P60 to P67,<br>P70 to P77, P80 to P87,<br>P90 to P97, P100 to P106,<br>P110 to P117, P120,<br>P125 to P127, P140 to P147 | $V_I = EV_{DD0}$                 |   |      | 1    | $\mu\text{A}$ |               |
|                             | I <sub>LIH2</sub> | P20 to P27, P137,<br>P150 to P156, RESET   | $V_I = V_{DD}$                   |   |      | 1    | $\mu\text{A}$ |               |
|                             | I <sub>LIH3</sub> | P121 to P124<br>(X1, X2, XT1, XT2, EXCLK,<br>EXCLKS)   | $V_I = V_{DD}$                   | In input port or<br>external clock<br>input |      |      | 1             | $\mu\text{A}$ |
|                             |                   |  |                                  | In resonator<br>connection                  |      |      | 10            | $\mu\text{A}$ |
| Input leakage current, low  | I <sub>LIL1</sub> | P00 to P07, P10 to P17,<br>P30 to P37, P40 to P47,<br>P50 to P57, P60 to P67,<br>P70 to P77, P80 to P87,<br>P90 to P97, P100 to P106,<br>P110 to P117, P120,<br>P125 to P127, P140 to P147 | $V_I = EV_{SS0}$                 |   |      | -1   | $\mu\text{A}$ |               |
|                             | I <sub>LIL2</sub> | P20 to P27, P137,<br>P150 to P156, RESET   | $V_I = V_{SS}$                   |   |      | -1   | $\mu\text{A}$ |               |
|                             | I <sub>LIL3</sub> | P121 to P124<br>(X1, X2, XT1, XT2, EXCLK,<br>EXCLKS)   | $V_I = V_{SS}$                   | In input port or<br>external clock<br>input |      |      | -1            | $\mu\text{A}$ |
|                             |                   |  |                                  | In resonator<br>connection                  |      |      | -10           | $\mu\text{A}$ |
| On-chip pll-up resistance   | R <sub>U</sub>    | P00 to P07, P10 to P17,<br>P30 to P37, P40 to P47,<br>P50 to P57, P64 to P67,<br>P70 to P77, P80 to P87,<br>P90 to P97, P100 to P106,<br>P110 to P117, P120,<br>P125 to P127, P140 to P147 | $V_I = EV_{SS0}$ , In input port | 10  | 20   | 100  | k $\Omega$    |               |

**Remark** Unless specified otherwise, the characteristics of alternate-function pins are the same as those of the port pins.



## 3.3.2 Supply current characteristics

## (1) Flash ROM: 16 to 64 KB of 20- to 64-pin products

 $(T_A = -40$  to  $+105^\circ\text{C}$ ,  $2.4\text{ V} \leq \text{EV}_{\text{DD}0} \leq \text{V}_{\text{DD}} \leq 5.5\text{ V}$ ,  $\text{V}_{\text{SS}} = \text{EV}_{\text{SS}0} = 0\text{ V})$  (1/2)

| Parameter  | Symbol           | Conditions   |   |  |                         | MIN.                    | TYP. | MAX. | Unit |    |
|--|------------------|--|---|--|-------------------------|-------------------------|------|------|------|----|
| Supply current<br>Note 1   | I <sub>DD1</sub> | Operating mode   | HS (high-speed main) mode<br>Note 5                               | f <sub>IH</sub> = 32 MHz<br>Note 3                             | Basic operation         | V <sub>DD</sub> = 5.0 V |      | 2.1  |      | mA |
|  |                  |  |   |  |                         | V <sub>DD</sub> = 3.0 V |      | 2.1  |      | mA |
|  |                  |  |   |  | Normal operation        | V <sub>DD</sub> = 5.0 V |      | 4.6  | 7.5  | mA |
|  |                  |  |   | V <sub>DD</sub> = 3.0 V  |                         |                         | 4.6  | 7.5  | mA   |    |
|  |                  |  |   | f <sub>IH</sub> = 24 MHz<br>Note 3                             | Normal operation        | V <sub>DD</sub> = 5.0 V |      | 3.7  | 5.8  | mA |
|  |                  |  |   |  |                         | V <sub>DD</sub> = 3.0 V |      | 3.7  | 5.8  | mA |
|  |                  |  | Normal operation  |  | V <sub>DD</sub> = 5.0 V |                         | 2.7  | 4.2  | mA   |    |
|  |                  |  |   | V <sub>DD</sub> = 3.0 V  |                         | 2.7                     | 4.2  | mA   |      |    |
|  |                  |  | HS (high-speed main) mode<br>Note 5                               | f <sub>MX</sub> = 20 MHz<br>Note 2,<br>V <sub>DD</sub> = 5.0 V | Normal operation        | Square wave input       |      | 3.0  | 4.9  | mA |
|  |                  |  |   |  |                         | Resonator connection    |      | 3.2  | 5.0  | mA |
|  |                  |  |   |  | Normal operation        | Square wave input       |      | 3.0  | 4.9  | mA |
|  |                  |  |   |  |                         | Resonator connection    |      | 3.2  | 5.0  | mA |
|  |                  | f <sub>MX</sub> = 10 MHz<br>Note 2,<br>V <sub>DD</sub> = 5.0 V |   | Normal operation   | Square wave input       |                         | 1.9  | 2.9  | mA   |    |
|  |                  |  |   |  | Resonator connection    |                         | 1.9  | 2.9  | mA   |    |
|  |                  | f <sub>MX</sub> = 10 MHz<br>Note 2,<br>V <sub>DD</sub> = 3.0 V |   | Normal operation   | Square wave input       |                         | 1.9  | 2.9  | mA   |    |
|  |                  |  |   |  | Resonator connection    |                         | 1.9  | 2.9  | mA   |    |
|  |                  | Subsystem clock operation                                      | f <sub>SUB</sub> = 32.768 kHz<br>Note 4<br>T <sub>A</sub> = -40°C | Normal operation   | Square wave input       |                         | 4.1  | 4.9  | μA   |    |
|  |                  |  |   |  | Resonator connection    |                         | 4.2  | 5.0  | μA   |    |
|  |                  |  |   | Normal operation   | Square wave input       |                         | 4.1  | 4.9  | μA   |    |
|  |                  |  |   |  | Resonator connection    |                         | 4.2  | 5.0  | μA   |    |
|  |                  |  |   | Normal operation   | Square wave input       |                         | 4.2  | 5.5  | μA   |    |
| Resonator connection   |                  |  |   |  | 4.3                     | 5.6                     | μA   |      |      |    |
| f <sub>SUB</sub> = 32.768 kHz<br>Note 4<br>T <sub>A</sub> = +25°C  | Normal operation |  | Square wave input   |  | 4.2                     | 5.5                     | μA   |      |      |    |
|  |                  |  | Resonator connection  |  | 4.3                     | 5.6                     | μA   |      |      |    |
| f <sub>SUB</sub> = 32.768 kHz<br>Note 4<br>T <sub>A</sub> = +50°C  | Normal operation |  | Square wave input   |  | 4.3                     | 6.3                     | μA   |      |      |    |
|  |                  |  | Resonator connection  |  | 4.4                     | 6.4                     | μA   |      |      |    |
| f <sub>SUB</sub> = 32.768 kHz<br>Note 4<br>T <sub>A</sub> = +70°C  | Normal operation |  | Square wave input   |  | 4.3                     | 6.3                     | μA   |      |      |    |
|  |                  |  | Resonator connection  |  | 4.4                     | 6.4                     | μA   |      |      |    |
| f <sub>SUB</sub> = 32.768 kHz<br>Note 4<br>T <sub>A</sub> = +85°C  | Normal operation | Square wave input  |   | 4.6  | 7.7                     | μA                      |      |      |      |    |
|  |                  | Resonator connection   |   | 4.7  | 7.8                     | μA                      |      |      |      |    |
| f <sub>SUB</sub> = 32.768 kHz<br>Note 4<br>T <sub>A</sub> = +105°C | Normal operation | Square wave input  |   | 6.9  | 19.7                    | μA                      |      |      |      |    |
|  |                  | Resonator connection   |   | 7.0  | 19.8                    | μA                      |      |      |      |    |

(Notes and Remarks are listed on the next page.)

- Notes**
1. Total current flowing into  $V_{DD}$  and  $EV_{DD0}$ , including the input leakage current flowing when the level of the input pin is fixed to  $V_{DD}$ ,  $EV_{DD0}$  or  $V_{SS}$ ,  $EV_{SS0}$ . The values below the MAX. column include the peripheral operation current. However, not including the current flowing into the A/D converter, LVD circuit, I/O port, and on-chip pull-up/pull-down resistors and the current flowing during data flash rewrite.
  2. When high-speed on-chip oscillator and subsystem clock are stopped.
  3. When high-speed system clock and subsystem clock are stopped.
  4. When high-speed on-chip oscillator and high-speed system clock are stopped. When AMPHS1 = 1 (Ultra-low power consumption oscillation). However, not including the current flowing into the RTC, 12-bit interval timer, and watchdog timer.
  5. Relationship between operation voltage width, operation frequency of CPU and operation mode is as below.  
HS (high-speed main) mode:  $2.7\text{ V} \leq V_{DD} \leq 5.5\text{ V}@1\text{ MHz to }32\text{ MHz}$   
 $2.4\text{ V} \leq V_{DD} \leq 5.5\text{ V}@1\text{ MHz to }16\text{ MHz}$

- Remarks**
1.  $f_{MX}$ : High-speed system clock frequency (X1 clock oscillation frequency or external main system clock frequency)
  2.  $f_{IH}$ : High-speed on-chip oscillator clock frequency
  3.  $f_{SUB}$ : Subsystem clock frequency (XT1 clock oscillation frequency)
  4. Except subsystem clock operation, temperature condition of the TYP. value is  $T_A = 25^\circ\text{C}$

## (1) Flash ROM: 16 to 64 KB of 20- to 64-pin products

 $(T_A = -40$  to  $+105^\circ\text{C}$ ,  $2.4\text{ V} \leq EV_{DD0} \leq V_{DD} \leq 5.5\text{ V}$ ,  $V_{SS} = EV_{SS0} = 0\text{ V}$ ) (2/2)

| Parameter  | Symbol               | Conditions                 |   |   | MIN.                    | TYP.          | MAX.  | Unit          |    |
|--|----------------------|----------------------------|---|---|-------------------------|---------------|-------|---------------|----|
| Supply current<br>Note 1   | $I_{DD2}$<br>Note 2  | HALT mode                  | HS (high-speed main) mode<br>Note 7                               | $f_{IH} = 32\text{ MHz}$ Note 4                             | $V_{DD} = 5.0\text{ V}$ |               | 0.54  | 2.90          | mA |
|  |                      |                            |   |   | $V_{DD} = 3.0\text{ V}$ |               | 0.54  | 2.90          | mA |
|  |                      |                            |   | $f_{IH} = 24\text{ MHz}$ Note 4                             | $V_{DD} = 5.0\text{ V}$ |               | 0.44  | 2.30          | mA |
|  |                      |                            |   |   | $V_{DD} = 3.0\text{ V}$ |               | 0.44  | 2.30          | mA |
|  |                      |                            |   | $f_{IH} = 16\text{ MHz}$ Note 4                             | $V_{DD} = 5.0\text{ V}$ |               | 0.40  | 1.70          | mA |
|  |                      |                            |   |   | $V_{DD} = 3.0\text{ V}$ |               | 0.40  | 1.70          | mA |
|  |                      |                            | HS (high-speed main) mode<br>Note 7                               | $f_{MX} = 20\text{ MHz}$ Note 3,<br>$V_{DD} = 5.0\text{ V}$ | Square wave input       |               | 0.28  | 1.90          | mA |
|  |                      |                            |   |   | Resonator connection    |               | 0.45  | 2.00          | mA |
|  |                      |                            |   | $f_{MX} = 20\text{ MHz}$ Note 3,<br>$V_{DD} = 3.0\text{ V}$ | Square wave input       |               | 0.28  | 1.90          | mA |
|  |                      |                            |   |   | Resonator connection    |               | 0.45  | 2.00          | mA |
|  |                      |                            |   | $f_{MX} = 10\text{ MHz}$ Note 3,<br>$V_{DD} = 5.0\text{ V}$ | Square wave input       |               | 0.19  | 1.02          | mA |
|  |                      |                            |   |   | Resonator connection    |               | 0.26  | 1.10          | mA |
|  |                      |                            |   | $f_{MX} = 10\text{ MHz}$ Note 3,<br>$V_{DD} = 3.0\text{ V}$ | Square wave input       |               | 0.19  | 1.02          | mA |
|  |                      |                            |   |   | Resonator connection    |               | 0.26  | 1.10          | mA |
|  |                      | Subsystem clock operation  | $f_{SUB} = 32.768\text{ kHz}$ Note 5<br>$T_A = -40^\circ\text{C}$ | Square wave input   |                         | 0.25          | 0.57  | $\mu\text{A}$ |    |
|  |                      |                            |   | Resonator connection  |                         | 0.44          | 0.76  | $\mu\text{A}$ |    |
|  |                      |                            | $f_{SUB} = 32.768\text{ kHz}$ Note 5<br>$T_A = +25^\circ\text{C}$ | Square wave input   |                         | 0.30          | 0.57  | $\mu\text{A}$ |    |
|  |                      |                            |   | Resonator connection  |                         | 0.49          | 0.76  | $\mu\text{A}$ |    |
|  |                      |                            | $f_{SUB} = 32.768\text{ kHz}$ Note 5<br>$T_A = +50^\circ\text{C}$ | Square wave input   |                         | 0.37          | 1.17  | $\mu\text{A}$ |    |
|  |                      |                            |   | Resonator connection  |                         | 0.56          | 1.36  | $\mu\text{A}$ |    |
| $f_{SUB} = 32.768\text{ kHz}$ Note 5<br>$T_A = +70^\circ\text{C}$  | Square wave input    |                            |   | 0.53  | 1.97                    | $\mu\text{A}$ |       |               |    |
|  | Resonator connection |                            |   | 0.72  | 2.16                    | $\mu\text{A}$ |       |               |    |
| $f_{SUB} = 32.768\text{ kHz}$ Note 5<br>$T_A = +85^\circ\text{C}$  | Square wave input    |                            |   | 0.82  | 3.37                    | $\mu\text{A}$ |       |               |    |
|  | Resonator connection |                            |   | 1.01  | 3.56                    | $\mu\text{A}$ |       |               |    |
| $f_{SUB} = 32.768\text{ kHz}$ Note 5<br>$T_A = +105^\circ\text{C}$ | Square wave input    |                            | 3.01  | 15.37   | $\mu\text{A}$           |               |       |               |    |
|  | Resonator connection |                            | 3.20  | 15.56   | $\mu\text{A}$           |               |       |               |    |
| $I_{DD3}$ Note 6   | STOP mode>Note 8     | $T_A = -40^\circ\text{C}$  |   |   |                         | 0.18          | 0.50  | $\mu\text{A}$ |    |
|  |                      | $T_A = +25^\circ\text{C}$  |   |   |                         | 0.23          | 0.50  | $\mu\text{A}$ |    |
|  |                      | $T_A = +50^\circ\text{C}$  |   |   |                         | 0.30          | 1.10  | $\mu\text{A}$ |    |
|  |                      | $T_A = +70^\circ\text{C}$  |   |   |                         | 0.46          | 1.90  | $\mu\text{A}$ |    |
|  |                      | $T_A = +85^\circ\text{C}$  |   |   |                         | 0.75          | 3.30  | $\mu\text{A}$ |    |
|  |                      | $T_A = +105^\circ\text{C}$ |   |   |                         | 2.94          | 15.30 | $\mu\text{A}$ |    |

(Notes and Remarks are listed on the next page.)

- Notes**
1. Total current flowing into  $V_{DD}$  and  $EV_{DD0}$ , including the input leakage current flowing when the level of the input pin is fixed to  $V_{DD}$ ,  $EV_{DD0}$  or  $V_{SS}$ ,  $EV_{SS0}$ . The values below the MAX. column include the peripheral operation current. However, not including the current flowing into the A/D converter, LVD circuit, I/O port, and on-chip pull-up/pull-down resistors and the current flowing during data flash rewrite.
  2. During HALT instruction execution by flash memory.
  3. When high-speed on-chip oscillator and subsystem clock are stopped.
  4. When high-speed system clock and subsystem clock are stopped.
  5. When high-speed on-chip oscillator and high-speed system clock are stopped. When  $RTCLPC = 1$  and setting ultra-low current consumption ( $AMPHS1 = 1$ ). The current flowing into the RTC is included. However, not including the current flowing into the 12-bit interval timer and watchdog timer.
  6. Not including the current flowing into the RTC, 12-bit interval timer, and watchdog timer.
  7. Relationship between operation voltage width, operation frequency of CPU and operation mode is as below.  
HS (high-speed main) mode:  $2.7\text{ V} \leq V_{DD} \leq 5.5\text{ V}@1\text{ MHz to }32\text{ MHz}$   
 $2.4\text{ V} \leq V_{DD} \leq 5.5\text{ V}@1\text{ MHz to }16\text{ MHz}$
  8. Regarding the value for current operate the subsystem clock in STOP mode, refer to that in HALT mode.

- Remarks**
1.  $f_{MX}$ : High-speed system clock frequency (X1 clock oscillation frequency or external main system clock frequency)
  2.  $f_{IH}$ : High-speed on-chip oscillator clock frequency
  3.  $f_{SUB}$ : Subsystem clock frequency (XT1 clock oscillation frequency)
  4. Except subsystem clock operation and STOP mode, temperature condition of the TYP. value is  $T_A = 25^\circ\text{C}$

## (2) Flash ROM: 96 to 256 KB of 30- to 100-pin products

 $(T_A = -40$  to  $+105^\circ\text{C}$ ,  $2.4\text{ V} \leq EV_{DD0} = EV_{DD1} \leq V_{DD} \leq 5.5\text{ V}$ ,  $V_{SS} = EV_{SS0} = EV_{SS1} = 0\text{ V}$ ) (1/2)

| Parameter   | Symbol           | Conditions   |  |                                     |  | MIN.                    | TYP.                 | MAX. | Unit          |     |    |
|---|------------------|--|--|-------------------------------------|--|-------------------------|----------------------|------|---------------|-----|----|
| Supply current<br>Note 1  | I <sub>DD1</sub> | Operating mode   | HS (high-speed main) mode<br>Note 5                                  | $f_{IH} = 32\text{ MHz}$<br>Note 3  | Basic operation  | $V_{DD} = 5.0\text{ V}$ |                      | 2.3  |               | mA  |    |
|   |                  |  |  |                                     |  | $V_{DD} = 3.0\text{ V}$ |                      | 2.3  |               | mA  |    |
|   |                  |  |  | Normal operation                    | $V_{DD} = 5.0\text{ V}$  |                         | 5.2                  | 9.2  | mA            |     |    |
|   |                  |  |  |                                     | $V_{DD} = 3.0\text{ V}$  |                         | 5.2                  | 9.2  | mA            |     |    |
|   |                  |  |  | $f_{IH} = 24\text{ MHz}$<br>Note 3  | Normal operation   | $V_{DD} = 5.0\text{ V}$ |                      | 4.1  | 7.0           | mA  |    |
|   |                  |  |  |                                     |  | $V_{DD} = 3.0\text{ V}$ |                      | 4.1  | 7.0           | mA  |    |
|   |                  |  | $f_{IH} = 16\text{ MHz}$<br>Note 3                                   | Normal operation                    | $V_{DD} = 5.0\text{ V}$  |                         | 3.0                  | 5.0  | mA            |     |    |
|   |                  |  |  |                                     | $V_{DD} = 3.0\text{ V}$  |                         | 3.0                  | 5.0  | mA            |     |    |
|   |                  |  |  | HS (high-speed main) mode<br>Note 5 | $f_{MX} = 20\text{ MHz}$<br>Note 2,<br>$V_{DD} = 5.0\text{ V}$ | Normal operation        | Square wave input    |      | 3.4           | 5.9 | mA |
|   |                  |  |  |                                     |  |                         | Resonator connection |      | 3.6           | 6.0 | mA |
|   |                  | $f_{MX} = 20\text{ MHz}$<br>Note 2,<br>$V_{DD} = 3.0\text{ V}$ | Normal operation   |                                     | Square wave input  |                         | 3.4                  | 5.9  | mA            |     |    |
|   |                  |  |  |                                     | Resonator connection   |                         | 3.6                  | 6.0  | mA            |     |    |
|   |                  | $f_{MX} = 10\text{ MHz}$<br>Note 2,<br>$V_{DD} = 5.0\text{ V}$ | Normal operation   | Square wave input                   |  | 2.1                     | 3.5                  | mA   |               |     |    |
|   |                  |  |  | Resonator connection                |  | 2.1                     | 3.5                  | mA   |               |     |    |
|   |                  | Subsystem clock operation                                      | $f_{SUB} = 32.768\text{ kHz}$<br>Note 4<br>$T_A = -40^\circ\text{C}$ | Normal operation                    | Square wave input  |                         | 4.8                  | 5.9  | $\mu\text{A}$ |     |    |
|   |                  |  |  |                                     | Resonator connection   |                         | 4.9                  | 6.0  | $\mu\text{A}$ |     |    |
|   |                  |  | $f_{SUB} = 32.768\text{ kHz}$<br>Note 4<br>$T_A = +25^\circ\text{C}$ | Normal operation                    | Square wave input  |                         | 4.9                  | 5.9  | $\mu\text{A}$ |     |    |
|   |                  |  |  |                                     | Resonator connection   |                         | 5.0                  | 6.0  | $\mu\text{A}$ |     |    |
|   |                  |  | $f_{SUB} = 32.768\text{ kHz}$<br>Note 4<br>$T_A = +50^\circ\text{C}$ | Normal operation                    | Square wave input  |                         | 5.0                  | 7.6  | $\mu\text{A}$ |     |    |
|   |                  |  |  |                                     | Resonator connection   |                         | 5.1                  | 7.7  | $\mu\text{A}$ |     |    |
| $f_{SUB} = 32.768\text{ kHz}$<br>Note 4<br>$T_A = +70^\circ\text{C}$  | Normal operation |  | Square wave input  |                                     | 5.2  | 9.3                     | $\mu\text{A}$        |      |               |     |    |
|   |                  |  | Resonator connection   |                                     | 5.3  | 9.4                     | $\mu\text{A}$        |      |               |     |    |
| $f_{SUB} = 32.768\text{ kHz}$<br>Note 4<br>$T_A = +85^\circ\text{C}$  | Normal operation | Square wave input  |  | 5.7                                 | 13.3   | $\mu\text{A}$           |                      |      |               |     |    |
|   |                  | Resonator connection   |  | 5.8                                 | 13.4   | $\mu\text{A}$           |                      |      |               |     |    |
| $f_{SUB} = 32.768\text{ kHz}$<br>Note 4<br>$T_A = +105^\circ\text{C}$ | Normal operation | Square wave input  |  | 10.0                                | 46.0   | $\mu\text{A}$           |                      |      |               |     |    |
|   |                  | Resonator connection   |  | 10.0                                | 46.0   | $\mu\text{A}$           |                      |      |               |     |    |

(Notes and Remarks are listed on the next page.)

- Notes**
1. Total current flowing into  $V_{DD}$ ,  $EV_{DD0}$ , and  $EV_{DD1}$ , including the input leakage current flowing when the level of the input pin is fixed to  $V_{DD}$ ,  $EV_{DD0}$ , and  $EV_{DD1}$ , or  $V_{SS}$ ,  $EV_{SS0}$ , and  $EV_{SS1}$ . The values below the MAX. column include the peripheral operation current. However, not including the current flowing into the A/D converter, LVD circuit, I/O port, and on-chip pull-up/pull-down resistors and the current flowing during data flash rewrite.
  2. When high-speed on-chip oscillator and subsystem clock are stopped.
  3. When high-speed system clock and subsystem clock are stopped.
  4. When high-speed on-chip oscillator and high-speed system clock are stopped. When  $AMPHS1 = 1$  (Ultra-low power consumption oscillation). However, not including the current flowing into the 12-bit interval timer and watchdog timer.
  5. Relationship between operation voltage width, operation frequency of CPU and operation mode is as below.  
HS (high-speed main) mode:  $2.7\text{ V} \leq V_{DD} \leq 5.5\text{ V}@1\text{ MHz to }32\text{ MHz}$   
 $2.4\text{ V} \leq V_{DD} \leq 5.5\text{ V}@1\text{ MHz to }16\text{ MHz}$

- Remarks**
1.  $f_{MX}$ : High-speed system clock frequency (X1 clock oscillation frequency or external main system clock frequency)
  2.  $f_{IH}$ : High-speed on-chip oscillator clock frequency
  3.  $f_{SUB}$ : Subsystem clock frequency (XT1 clock oscillation frequency)
  4. Except subsystem clock operation, temperature condition of the TYP. value is  $T_A = 25^\circ\text{C}$

## (2) Flash ROM: 96 to 256 KB of 30- to 100-pin products

 $(T_A = -40$  to  $+105^\circ\text{C}$ ,  $2.4\text{ V} \leq EV_{DD0} = EV_{DD1} \leq V_{DD} \leq 5.5\text{ V}$ ,  $V_{SS} = EV_{SS0} = EV_{SS1} = 0\text{ V}$ ) (2/2)

| Parameter  | Symbol  | Conditions              |                                     | MIN.  | TYP.                    | MAX. | Unit |      |    |
|--|---|-------------------------|-------------------------------------|---|-------------------------|------|------|------|----|
| Supply current<br>Note 1   | I <sub>DD2</sub><br>Note 2  | HALT mode               | HS (high-speed main) mode<br>Note 7 | f <sub>IH</sub> = 32 MHz<br>Note 4                                | V <sub>DD</sub> = 5.0 V |      | 0.62 | 3.40 | mA |
|  |   |                         |                                     |   | V <sub>DD</sub> = 3.0 V |      | 0.62 | 3.40 | mA |
|  |   |                         |                                     | f <sub>IH</sub> = 24 MHz<br>Note 4                                | V <sub>DD</sub> = 5.0 V |      | 0.50 | 2.70 | mA |
|  |   |                         |                                     |   | V <sub>DD</sub> = 3.0 V |      | 0.50 | 2.70 | mA |
|  |   |                         |                                     | f <sub>IH</sub> = 16 MHz<br>Note 4                                | V <sub>DD</sub> = 5.0 V |      | 0.44 | 1.90 | mA |
|  |   |                         |                                     |   | V <sub>DD</sub> = 3.0 V |      | 0.44 | 1.90 | mA |
|  |   |                         | HS (high-speed main) mode<br>Note 7 | f <sub>MX</sub> = 20 MHz<br>Note 3,<br>V <sub>DD</sub> = 5.0 V    | Square wave input       |      | 0.31 | 2.10 | mA |
|  |   |                         |                                     |   | Resonator connection    |      | 0.48 | 2.20 | mA |
|  |   |                         |                                     | f <sub>MX</sub> = 20 MHz<br>Note 3,<br>V <sub>DD</sub> = 3.0 V    | Square wave input       |      | 0.31 | 2.10 | mA |
|  |   |                         |                                     |   | Resonator connection    |      | 0.48 | 2.20 | mA |
|  |   |                         |                                     | f <sub>MX</sub> = 10 MHz<br>Note 3,<br>V <sub>DD</sub> = 5.0 V    | Square wave input       |      | 0.21 | 1.10 | mA |
|  |   |                         |                                     |   | Resonator connection    |      | 0.28 | 1.20 | mA |
|  |   |                         |                                     | f <sub>MX</sub> = 10 MHz<br>Note 3,<br>V <sub>DD</sub> = 3.0 V    | Square wave input       |      | 0.21 | 1.10 | mA |
|  |   |                         |                                     |   | Resonator connection    |      | 0.28 | 1.20 | mA |
|  |   |                         | Subsystem clock operation           | f <sub>SUB</sub> = 32.768 kHz<br>Note 5<br>T <sub>A</sub> = -40°C | Square wave input       |      | 0.28 | 0.61 | μA |
|  |   |                         |                                     |   | Resonator connection    |      | 0.47 | 0.80 | μA |
|  |   |                         |                                     | f <sub>SUB</sub> = 32.768 kHz<br>Note 5<br>T <sub>A</sub> = +25°C | Square wave input       |      | 0.34 | 0.61 | μA |
|  |   |                         |                                     |   | Resonator connection    |      | 0.53 | 0.80 | μA |
|  |   |                         |                                     | f <sub>SUB</sub> = 32.768 kHz<br>Note 5<br>T <sub>A</sub> = +50°C | Square wave input       |      | 0.41 | 2.30 | μA |
|  | Resonator connection  |                         |                                     |   | 0.60                    | 2.49 | μA   |      |    |
|  | f <sub>SUB</sub> = 32.768 kHz<br>Note 5<br>T <sub>A</sub> = +70°C | Square wave input       |                                     |   | 0.64                    | 4.03 | μA   |      |    |
|  |   | Resonator connection    |                                     |   | 0.83                    | 4.22 | μA   |      |    |
|  | f <sub>SUB</sub> = 32.768 kHz<br>Note 5<br>T <sub>A</sub> = +85°C | Square wave input       |                                     |   | 1.09                    | 8.04 | μA   |      |    |
| Resonator connection   |   |                         |                                     | 1.28  | 8.23                    | μA   |      |      |    |
| f <sub>SUB</sub> = 32.768 kHz<br>Note 5<br>T <sub>A</sub> = +105°C | Square wave input   |                         | 5.50                                | 41.00   | μA                      |      |      |      |    |
|  | Resonator connection  |                         | 5.50                                | 41.00   | μA                      |      |      |      |    |
| I <sub>DD3</sub><br>Note 6   | STOP mode<br>Note 8   | T <sub>A</sub> = -40°C  |                                     | 0.19  | 0.52                    | μA   |      |      |    |
|  |   | T <sub>A</sub> = +25°C  |                                     | 0.25  | 0.52                    | μA   |      |      |    |
|  |   | T <sub>A</sub> = +50°C  |                                     | 0.32  | 2.21                    | μA   |      |      |    |
|  |   | T <sub>A</sub> = +70°C  |                                     | 0.55  | 3.94                    | μA   |      |      |    |
|  |   | T <sub>A</sub> = +85°C  |                                     | 1.00  | 7.95                    | μA   |      |      |    |
|  |   | T <sub>A</sub> = +105°C |                                     | 5.00  | 40.00                   | μA   |      |      |    |

(Notes and Remarks are listed on the next page.)

- Notes**
1. Total current flowing into  $V_{DD}$ ,  $EV_{DD0}$ , and  $EV_{DD1}$ , including the input leakage current flowing when the level of the input pin is fixed to  $V_{DD}$ ,  $EV_{DD0}$ , and  $EV_{DD1}$ , or  $V_{SS}$ ,  $EV_{SS0}$ , and  $EV_{SS1}$ . The values below the MAX. column include the peripheral operation current. However, not including the current flowing into the A/D converter, LVD circuit, I/O port, and on-chip pull-up/pull-down resistors and the current flowing during data flash rewrite.
  2. During HALT instruction execution by flash memory.
  3. When high-speed on-chip oscillator and subsystem clock are stopped.
  4. When high-speed system clock and subsystem clock are stopped.
  5. When high-speed on-chip oscillator and high-speed system clock are stopped. When  $RTCLPC = 1$  and setting ultra-low current consumption ( $AMPHS1 = 1$ ). The current flowing into the RTC is included. However, not including the current flowing into the 12-bit interval timer and watchdog timer.
  6. Not including the current flowing into the RTC, 12-bit interval timer, and watchdog timer.
  7. Relationship between operation voltage width, operation frequency of CPU and operation mode is as below.  
HS (high-speed main) mode:  $2.7\text{ V} \leq V_{DD} \leq 5.5\text{ V}@1\text{ MHz to }32\text{ MHz}$   
 $2.4\text{ V} \leq V_{DD} \leq 5.5\text{ V}@1\text{ MHz to }16\text{ MHz}$
  8. Regarding the value for current operate the subsystem clock in STOP mode, refer to that in HALT mode.

- Remarks**
1.  $f_{MX}$ : High-speed system clock frequency (X1 clock oscillation frequency or external main system clock frequency)
  2.  $f_{IH}$ : High-speed on-chip oscillator clock frequency
  3.  $f_{SUB}$ : Subsystem clock frequency (XT1 clock oscillation frequency)
  4. Except subsystem clock operation and STOP mode, temperature condition of the TYP. value is  $T_A = 25^\circ\text{C}$



**(3) Peripheral Functions (Common to all products)****( $T_A = -40$  to  $+105^\circ\text{C}$ ,  $2.4\text{ V} \leq \text{EVDD0} = \text{EVDD1} \leq \text{VDD} \leq 5.5\text{ V}$ ,  $\text{VSS} = \text{EVSS0} = \text{EVSS1} = 0\text{ V}$ )**

| Parameter                                      | Symbol                            | Conditions                       |  | MIN. | TYP. | MAX.  | Unit          |
|--|-----------------------------------|----------------------------------|--|------|------|-------|---------------|
| Low-speed on-chip oscillator operating current | $I_{\text{FIL}}$<br>Note 1        |                                  |  |      | 0.20 |       | $\mu\text{A}$ |
| RTC operating current                          | $I_{\text{RTC}}$<br>Notes 1, 2, 3 |                                  |  |      | 0.02 |       | $\mu\text{A}$ |
| 12-bit interval timer operating current        | $I_{\text{IT}}$<br>Notes 1, 2, 4  |                                  |  |      | 0.02 |       | $\mu\text{A}$ |
| Watchdog timer operating current               | $I_{\text{WDT}}$<br>Notes 1, 2, 5 | $f_{\text{IL}} = 15\text{ kHz}$  |  |      | 0.22 |       | $\mu\text{A}$ |
| A/D converter operating current                | $I_{\text{ADC}}$<br>Notes 1, 6    | When conversion at maximum speed | Normal mode, $\text{AV}_{\text{REFP}} = \text{VDD} = 5.0\text{ V}$   |      | 1.3  | 1.7   | $\text{mA}$   |
|  |                                   |                                  | Low voltage mode, $\text{AV}_{\text{REFP}} = \text{VDD} = 3.0\text{ V}$  |      | 0.5  | 0.7   | $\text{mA}$   |
| A/D converter reference voltage current        | $I_{\text{ADREF}}$<br>Note 1      |                                  |  |      | 75.0 |       | $\mu\text{A}$ |
| Temperature sensor operating current           | $I_{\text{TMS}}$<br>Note 1        |                                  |  |      | 75.0 |       | $\mu\text{A}$ |
| LVD operating current                          | $I_{\text{LVD}}$<br>Notes 1, 7    |                                  |  |      | 0.08 |       | $\mu\text{A}$ |
| Self programming operating current             | $I_{\text{FSP}}$<br>Notes 1, 9    |                                  |  |      | 2.50 | 12.20 | $\text{mA}$   |
| BGO operating current                          | $I_{\text{BGO}}$<br>Notes 1, 8    |                                  |  |      | 2.50 | 12.20 | $\text{mA}$   |
| SNOOZE operating current                       | $I_{\text{SNOZ}}$<br>Note 1       | ADC operation                    | The mode is performed <sup>Note 10</sup>   |      | 0.50 | 1.10  | $\text{mA}$   |
|  |                                   |                                  | The A/D conversion operations are performed, Low voltage mode, $\text{AV}_{\text{REFP}} = \text{VDD} = 3.0\text{ V}$ |      | 1.20 | 2.04  | $\text{mA}$   |
|  |                                   | CSI/UART operation               |  |      | 0.70 | 1.54  | $\text{mA}$   |

**Notes** 1. Current flowing to the  $\text{VDD}$ .

- When high speed on-chip oscillator and high-speed system clock are stopped.
- Current flowing only to the real-time clock (RTC) (excluding the operating current of the low-speed on-chip oscillator and the XT1 oscillator). The supply current of the RL78 microcontrollers is the sum of the values of either  $I_{\text{DD1}}$  or  $I_{\text{DD2}}$ , and  $I_{\text{RTC}}$ , when the real-time clock operates in operation mode or HALT mode. When the low-speed on-chip oscillator is selected,  $I_{\text{FIL}}$  should be added.  $I_{\text{DD2}}$  subsystem clock operation includes the operational current of the real-time clock.
- Current flowing only to the 12-bit interval timer (excluding the operating current of the low-speed on-chip oscillator and the XT1 oscillator). The supply current of the RL78 microcontrollers is the sum of the values of either  $I_{\text{DD1}}$  or  $I_{\text{DD2}}$ , and  $I_{\text{IT}}$ , when the 12-bit interval timer operates in operation mode or HALT mode. When the low-speed on-chip oscillator is selected,  $I_{\text{FIL}}$  should be added.
- Current flowing only to the watchdog timer (including the operating current of the low-speed on-chip oscillator). The supply current of the RL78 is the sum of  $I_{\text{DD1}}$ ,  $I_{\text{DD2}}$  or  $I_{\text{DD3}}$  and  $I_{\text{WDT}}$  when the watchdog timer operates.
- Current flowing only to the A/D converter. The supply current of the RL78 microcontrollers is the sum of  $I_{\text{DD1}}$  or  $I_{\text{DD2}}$  and  $I_{\text{ADC}}$  when the A/D converter is in operation.

- Notes**
7. Current flowing only to the LVD circuit. The supply current of the RL78 microcontrollers is the sum of  $I_{DD1}$ ,  $I_{DD2}$  or  $I_{DD3}$  and  $I_{LVD}$  when the LVD circuit is in operation.
  8. Current flowing only during data flash rewrite.
  9. Current flowing only during self programming.
  10. For shift time to the SNOOZE mode, see **18.3.3 SNOOZE mode** in the RL78/G13 User's Manual.

- Remarks**
1.  $f_{IL}$ : Low-speed on-chip oscillator clock frequency
  2.  $f_{SUB}$ : Subsystem clock frequency (XT1 clock oscillation frequency)
  3.  $f_{CLK}$ : CPU/peripheral hardware clock frequency
  4. Temperature condition of the TYP. value is  $T_A = 25^\circ\text{C}$

## 3.4 AC Characteristics

(TA = -40 to +105°C, 2.4 V ≤ EVDD0 = EVDD1 ≤ VDD ≤ 5.5 V, VSS = EVSS0 = EVSS1 = 0 V)

| Items  | Symbol              | Conditions                          |                           | MIN.                | TYP.    | MAX. | Unit               |    |
|--|---------------------|-------------------------------------|---------------------------|---------------------|---------|------|--------------------|----|
| Instruction cycle (minimum instruction execution time)             | TCY                 | Main system clock (fMAIN) operation | HS (high-speed main) mode | 2.7 V ≤ VDD ≤ 5.5 V | 0.03125 |      | 1                  | μs |
|  |                     |                                     |                           | 2.4 V ≤ VDD < 2.7 V | 0.0625  |      | 1                  | μs |
|  |                     | Subsystem clock (fSUB) operation    |                           | 2.4 V ≤ VDD ≤ 5.5 V | 28.5    | 30.5 | 31.3               | μs |
|  |                     | In the self programming mode        | HS (high-speed main) mode | 2.7 V ≤ VDD ≤ 5.5 V | 0.03125 |      | 1                  | μs |
|  | 2.4 V ≤ VDD < 2.7 V |                                     | 0.0625                    |                     | 1       | μs   |                    |    |
| External system clock frequency                                    | fEX                 | 2.7 V ≤ VDD ≤ 5.5 V                 |                           | 1.0                 |         | 20.0 | MHz                |    |
|  |                     | 2.4 V ≤ VDD < 2.7 V                 |                           | 1.0                 |         | 16.0 | MHz                |    |
|  | fEXS                |                                     |                           | 32                  |         | 35   | kHz                |    |
| External system clock input high-level width, low-level width      | tEXH, tEXL          | 2.7 V ≤ VDD ≤ 5.5 V                 |                           | 24                  |         |      | ns                 |    |
|  |                     | 2.4 V ≤ VDD < 2.7 V                 |                           | 30                  |         |      | ns                 |    |
|  | tEXHS, tEXLS        |                                     |                           | 13.7                |         |      | μs                 |    |
| TI00 to TI07, TI10 to TI17 input high-level width, low-level width | tTIH, tTIL          |                                     |                           | 1/fMCK+10           |         |      | ns <sup>Note</sup> |    |
| TO00 to TO07, TO10 to TO17 output frequency                        | fTO                 | HS (high-speed main) mode           | 4.0 V ≤ EVDD0 ≤ 5.5 V     |                     |         | 16   | MHz                |    |
|  |                     |                                     | 2.7 V ≤ EVDD0 < 4.0 V     |                     |         | 8    | MHz                |    |
|  |                     |                                     | 2.4 V ≤ EVDD0 < 2.7 V     |                     |         | 4    | MHz                |    |
| PCLBUZ0, PCLBUZ1 output frequency                                  | fPCL                | HS (high-speed main) mode           | 4.0 V ≤ EVDD0 ≤ 5.5 V     |                     |         | 16   | MHz                |    |
|  |                     |                                     | 2.7 V ≤ EVDD0 < 4.0 V     |                     |         | 8    | MHz                |    |
|  |                     |                                     | 2.4 V ≤ EVDD0 < 2.7 V     |                     |         | 4    | MHz                |    |
| Interrupt input high-level width, low-level width                  | tINTH, tINTL        | INTP0                               | 2.4 V ≤ VDD ≤ 5.5 V       | 1                   |         |      | μs                 |    |
|  |                     | INTP1 to INTP11                     | 2.4 V ≤ EVDD0 ≤ 5.5 V     | 1                   |         |      | μs                 |    |
| Key interrupt input low-level width                                | tKR                 | KR0 to KR7                          | 2.4 V ≤ EVDD0 ≤ 5.5 V     | 250                 |         |      | ns                 |    |
| RESET low-level width  | tRSL                |                                     |                           | 10                  |         |      | μs                 |    |

**Note** The following conditions are required for low voltage interface when  $EVDD0 < VDD$   
 $2.4V \leq EVDD0 < 2.7V$  : MIN. 125 ns

**Remark** fMCK: Timer array unit operation clock frequency  
 (Operation clock to be set by the CKSmn0, CKSmn1 bits of timer mode register mn (TMRmn).  
 m: Unit number (m = 0, 1), n: Channel number (n = 0 to 7))

**Minimum Instruction Execution Time during Main System Clock Operation**



**AC Timing Test Points**



**External System Clock Timing**



**TI/TO Timing**



**Interrupt Request Input Timing**



**Key Interrupt Input Timing**



**RESET Input Timing**



### 3.5 Peripheral Functions Characteristics

#### AC Timing Test Points



#### 3.5.1 Serial array unit

##### (1) During communication at same potential (UART mode)

( $T_A = -40$  to  $+105^\circ\text{C}$ ,  $2.4\text{ V} \leq E_{VDD0} = E_{VDD1} \leq V_{DD} \leq 5.5\text{ V}$ ,  $V_{SS} = E_{VSS0} = E_{VSS1} = 0\text{ V}$ )

| Parameter                       | Symbol | Conditions  | HS (high-speed main) Mode |                                | Unit |
|---------------------------------|--------|---|---------------------------|--------------------------------|------|
|                                 |        |   | MIN.                      | MAX.                           |      |
| Transfer rate <sup>Note 1</sup> |        | Theoretical value of the maximum transfer rate<br>$f_{CLK} = 32\text{ MHz}$ , $f_{MCK} = f_{CLK}$ |                           | $f_{MCK}/12$ <sup>Note 2</sup> | bps  |
|                                 |        |   |                           | 2.6                            | Mbps |

**Notes 1.** Transfer rate in the SNOOZE mode is 4800 bps only.

**2.** The following conditions are required for low voltage interface when  $E_{VDD0} < V_{DD}$ .  
 $2.4\text{ V} \leq E_{VDD0} < 2.7\text{ V}$  : MAX. 1.3 Mbps

**Caution** Select the normal input buffer for the RxDq pin and the normal output mode for the TxDq pin by using port input mode register g (PIMg) and port output mode register g (POMg).

#### UART mode connection diagram (during communication at same potential)



#### UART mode bit width (during communication at same potential) (reference)



**Remarks 1.** q: UART number (q = 0 to 3), g: PIM and POM number (g = 0, 1, 8, 14)

**2.**  $f_{MCK}$ : Serial array unit operation clock frequency

(Operation clock to be set by the CKSmn bit of serial mode register mn (SMRmn). m: Unit number, n: Channel number (mn = 00 to 03, 10 to 13))

**(2) During communication at same potential (CSI mode) (master mode, SCKp... internal clock output)****( $T_A = -40$  to  $+105^\circ\text{C}$ ,  $2.4\text{ V} \leq EV_{DD0} = EV_{DD1} \leq V_{DD} \leq 5.5\text{ V}$ ,  $V_{SS} = EV_{SS0} = EV_{SS1} = 0\text{ V}$ )**

| Parameter   | Symbol                   | Conditions                                     | HS (high-speed main) Mode                      |                   | Unit |    |
|---|--------------------------|--|--|-------------------|------|----|
|   |                          |  | MIN.   | MAX.              |      |    |
| SCKp cycle time   | $t_{KCY1}$               | $t_{KCY1} \geq 4/f_{CLK}$                      | $2.7\text{ V} \leq EV_{DD0} \leq 5.5\text{ V}$ | 250               |      | ns |
|   |                          |  | $2.4\text{ V} \leq EV_{DD0} \leq 5.5\text{ V}$ | 500               |      | ns |
| SCKp high-/low-level width  | $t_{KH1}$ ,<br>$t_{KL1}$ | $4.0\text{ V} \leq EV_{DD0} \leq 5.5\text{ V}$ |  | $t_{KCY1}/2 - 24$ |      | ns |
|   |                          | $2.7\text{ V} \leq EV_{DD0} \leq 5.5\text{ V}$ |  | $t_{KCY1}/2 - 36$ |      | ns |
|   |                          | $2.4\text{ V} \leq EV_{DD0} \leq 5.5\text{ V}$ |  | $t_{KCY1}/2 - 76$ |      | ns |
| Slp setup time (to SCKp $\uparrow$ ) <sup>Note 1</sup>            | $t_{SIK1}$               | $4.0\text{ V} \leq EV_{DD0} \leq 5.5\text{ V}$ |  | 66                |      | ns |
|   |                          | $2.7\text{ V} \leq EV_{DD0} \leq 5.5\text{ V}$ |  | 66                |      | ns |
|   |                          | $2.4\text{ V} \leq EV_{DD0} \leq 5.5\text{ V}$ |  | 113               |      | ns |
| Slp hold time (from SCKp $\uparrow$ ) <sup>Note 2</sup>           | $t_{KSI1}$               |  |  | 38                |      | ns |
| Delay time from SCKp $\downarrow$ to SOp output <sup>Note 3</sup> | $t_{KSO1}$               | $C = 30\text{ pF}$ <sup>Note 4</sup>           |  |                   | 50   | ns |

- Notes**
1. When  $DAP_{mn} = 0$  and  $CKP_{mn} = 0$ , or  $DAP_{mn} = 1$  and  $CKP_{mn} = 1$ . The Slp setup time becomes “to SCKp $\downarrow$ ” when  $DAP_{mn} = 0$  and  $CKP_{mn} = 1$ , or  $DAP_{mn} = 1$  and  $CKP_{mn} = 0$ .
  2. When  $DAP_{mn} = 0$  and  $CKP_{mn} = 0$ , or  $DAP_{mn} = 1$  and  $CKP_{mn} = 1$ . The Slp hold time becomes “from SCKp $\downarrow$ ” when  $DAP_{mn} = 0$  and  $CKP_{mn} = 1$ , or  $DAP_{mn} = 1$  and  $CKP_{mn} = 0$ .
  3. When  $DAP_{mn} = 0$  and  $CKP_{mn} = 0$ , or  $DAP_{mn} = 1$  and  $CKP_{mn} = 1$ . The delay time to SOp output becomes “from SCKp $\uparrow$ ” when  $DAP_{mn} = 0$  and  $CKP_{mn} = 1$ , or  $DAP_{mn} = 1$  and  $CKP_{mn} = 0$ .
  4. C is the load capacitance of the SCKp and SOp output lines.

**Caution** Select the normal input buffer for the Slp pin and the normal output mode for the SOp pin and SCKp pin by using port input mode register g (PIMg) and port output mode register g (POMg).

- Remarks**
1. p: CSI number (p = 00, 01, 10, 11, 20, 21, 30, 31), m: Unit number (m = 0, 1), n: Channel number (n = 0 to 3), g: PIM and POM numbers (g = 0, 1, 4, 5, 8, 14)
  2.  $f_{MCK}$ : Serial array unit operation clock frequency  
(Operation clock to be set by the CKS $_{mn}$  bit of serial mode register mn (SMR $_{mn}$ ). m: Unit number, n: Channel number (mn = 00 to 03, 10 to 13))

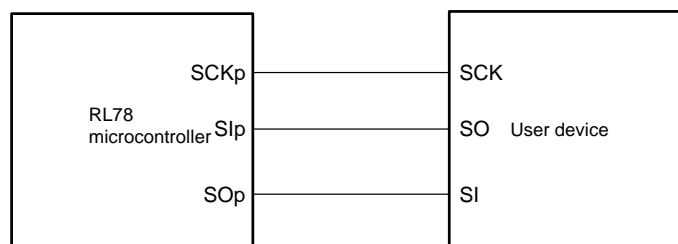
**(3) During communication at same potential (CSI mode) (slave mode, SCKp... external clock input)****( $T_A = -40$  to  $+105^\circ\text{C}$ ,  $2.4\text{ V} \leq \text{EV}_{\text{DD0}} = \text{EV}_{\text{DD1}} \leq \text{V}_{\text{DD}} \leq 5.5\text{ V}$ ,  $\text{V}_{\text{SS}} = \text{EV}_{\text{SS0}} = \text{EV}_{\text{SS1}} = 0\text{ V}$ )**

| Parameter   | Symbol                                 | Conditions   | HS (high-speed main) Mode                                    |                     | Unit                   |    |
|---|--|--|--|---------------------|------------------------|----|
|   |  |  | MIN.   | MAX.                |                        |    |
| SCKp cycle time <sup>Note 5</sup>                                 | $t_{\text{KCY2}}$                      | $4.0\text{ V} \leq \text{EV}_{\text{DD0}} \leq 5.5\text{ V}$ | $20\text{ MHz} < f_{\text{MCK}}$                             | $16/f_{\text{MCK}}$ |                        | ns |
|   |  |  | $f_{\text{MCK}} \leq 20\text{ MHz}$                          | $12/f_{\text{MCK}}$ |                        | ns |
|   |  | $2.7\text{ V} \leq \text{EV}_{\text{DD0}} \leq 5.5\text{ V}$ | $16\text{ MHz} < f_{\text{MCK}}$                             | $16/f_{\text{MCK}}$ |                        | ns |
|   |  |  | $f_{\text{MCK}} \leq 16\text{ MHz}$                          | $12/f_{\text{MCK}}$ |                        | ns |
|   |  | $2.4\text{ V} \leq \text{EV}_{\text{DD0}} \leq 5.5\text{ V}$ |  | $16/f_{\text{MCK}}$ |                        | ns |
|   | $12/f_{\text{MCK}}$ and 1000           |  |  | ns                  |                        |    |
| SCKp high-/low-level width  | $t_{\text{KH2}}$ ,<br>$t_{\text{KL2}}$ | $4.0\text{ V} \leq \text{EV}_{\text{DD0}} \leq 5.5\text{ V}$ | $t_{\text{KCY2}}/2 - 14$                                     |                     | ns                     |    |
|   |  | $2.7\text{ V} \leq \text{EV}_{\text{DD0}} \leq 5.5\text{ V}$ | $t_{\text{KCY2}}/2 - 16$                                     |                     | ns                     |    |
|   |  | $2.4\text{ V} \leq \text{EV}_{\text{DD0}} \leq 5.5\text{ V}$ | $t_{\text{KCY2}}/2 - 36$                                     |                     | ns                     |    |
| Slp setup time (to SCKp $\uparrow$ ) <sup>Note 1</sup>            | $t_{\text{SIK2}}$                      | $2.7\text{ V} \leq \text{EV}_{\text{DD0}} \leq 5.5\text{ V}$ | $1/f_{\text{MCK}}+40$  |                     | ns                     |    |
|   |  | $2.4\text{ V} \leq \text{EV}_{\text{DD0}} \leq 5.5\text{ V}$ | $1/f_{\text{MCK}}+60$  |                     | ns                     |    |
| Slp hold time (from SCKp $\uparrow$ ) <sup>Note 2</sup>           | $t_{\text{KSI2}}$                      | $2.4\text{ V} \leq \text{EV}_{\text{DD0}} \leq 5.5\text{ V}$ | $1/f_{\text{MCK}}+62$  |                     | ns                     |    |
| Delay time from SCKp $\downarrow$ to SOp output <sup>Note 3</sup> | $t_{\text{KSO2}}$                      | $C = 30\text{ pF}$ <sup>Note 4</sup>                         | $2.7\text{ V} \leq \text{EV}_{\text{DD0}} \leq 5.5\text{ V}$ |                     | $2/f_{\text{MCK}}+66$  | ns |
|   |  |  | $2.4\text{ V} \leq \text{EV}_{\text{DD0}} \leq 5.5\text{ V}$ |                     | $2/f_{\text{MCK}}+113$ | ns |

- Notes**
1. When  $\text{DAP}_{\text{mn}} = 0$  and  $\text{CKP}_{\text{mn}} = 0$ , or  $\text{DAP}_{\text{mn}} = 1$  and  $\text{CKP}_{\text{mn}} = 1$ . The Slp setup time becomes “to SCKp $\downarrow$ ” when  $\text{DAP}_{\text{mn}} = 0$  and  $\text{CKP}_{\text{mn}} = 1$ , or  $\text{DAP}_{\text{mn}} = 1$  and  $\text{CKP}_{\text{mn}} = 0$ .
  2. When  $\text{DAP}_{\text{mn}} = 0$  and  $\text{CKP}_{\text{mn}} = 0$ , or  $\text{DAP}_{\text{mn}} = 1$  and  $\text{CKP}_{\text{mn}} = 1$ . The Slp hold time becomes “from SCKp $\downarrow$ ” when  $\text{DAP}_{\text{mn}} = 0$  and  $\text{CKP}_{\text{mn}} = 1$ , or  $\text{DAP}_{\text{mn}} = 1$  and  $\text{CKP}_{\text{mn}} = 0$ .
  3. When  $\text{DAP}_{\text{mn}} = 0$  and  $\text{CKP}_{\text{mn}} = 0$ , or  $\text{DAP}_{\text{mn}} = 1$  and  $\text{CKP}_{\text{mn}} = 1$ . The delay time to SOp output becomes “from SCKp $\uparrow$ ” when  $\text{DAP}_{\text{mn}} = 0$  and  $\text{CKP}_{\text{mn}} = 1$ , or  $\text{DAP}_{\text{mn}} = 1$  and  $\text{CKP}_{\text{mn}} = 0$ .
  4. C is the load capacitance of the SOp output lines.
  5. Transfer rate in the SNOOZE mode : MAX. 1 Mbps

**Caution** Select the normal input buffer for the Slp pin and SCKp pin and the normal output mode for the SOp pin by using port input mode register g (PIMg) and port output mode register g (POMg).

- Remarks**
1. p: CSI number (p = 00, 01, 10, 11, 20, 21, 30, 31), m: Unit number (m = 0, 1), n: Channel number (n = 0 to 3), g: PIM number (g = 0, 1, 4, 5, 8, 14)
  2.  $f_{\text{MCK}}$ : Serial array unit operation clock frequency (Operation clock to be set by the CKSmn bit of serial mode register mn (SMRmn). m: Unit number, n: Channel number (mn = 00 to 03, 10 to 13))

**CSI mode connection diagram (during communication at same potential)**



**CSI mode serial transfer timing (during communication at same potential)**  
**(When DAPmn = 0 and CKPmn = 0, or DAPmn = 1 and CKPmn = 1.)**



**CSI mode serial transfer timing (during communication at same potential)**  
**(When DAPmn = 0 and CKPmn = 1, or DAPmn = 1 and CKPmn = 0.)**



- Remarks 1.** p: CSI number (p = 00, 01, 10, 11, 20, 21, 30, 31)  
**2.** m: Unit number, n: Channel number (mn = 00 to 03, 10 to 13)

**(4) During communication at same potential (simplified I<sup>2</sup>C mode)****( $T_A = -40$  to  $+105^\circ\text{C}$ ,  $2.4\text{ V} \leq \text{EV}_{\text{DD}0} = \text{EV}_{\text{DD}1} \leq \text{V}_{\text{DD}} \leq 5.5\text{ V}$ ,  $\text{V}_{\text{SS}} = \text{EV}_{\text{SS}0} = \text{EV}_{\text{SS}1} = 0\text{ V}$ )**

| Parameter                     | Symbol              | Conditions  | HS (high-speed main) Mode                    |                      | Unit |
|-------------------------------|---------------------|---|--|----------------------|------|
|                               |                     |   | MIN.   | MAX.                 |      |
| SCLr clock frequency          | f <sub>SCL</sub>    | $2.7\text{ V} \leq \text{EV}_{\text{DD}0} \leq 5.5\text{ V}$ ,<br>$C_b = 50\text{ pF}$ , $R_b = 2.7\text{ k}\Omega$ |  | 400 <sup>Note1</sup> | kHz  |
|                               |                     | $2.4\text{ V} \leq \text{EV}_{\text{DD}0} \leq 5.5\text{ V}$ ,<br>$C_b = 100\text{ pF}$ , $R_b = 3\text{ k}\Omega$  |  | 100 <sup>Note1</sup> | kHz  |
| Hold time when SCLr = "L"     | t <sub>LOW</sub>    | $2.7\text{ V} \leq \text{EV}_{\text{DD}0} \leq 5.5\text{ V}$ ,<br>$C_b = 50\text{ pF}$ , $R_b = 2.7\text{ k}\Omega$ | 1200   |                      | ns   |
|                               |                     | $2.4\text{ V} \leq \text{EV}_{\text{DD}0} \leq 5.5\text{ V}$ ,<br>$C_b = 100\text{ pF}$ , $R_b = 3\text{ k}\Omega$  | 4600   |                      | ns   |
| Hold time when SCLr = "H"     | t <sub>HIGH</sub>   | $2.7\text{ V} \leq \text{EV}_{\text{DD}0} \leq 5.5\text{ V}$ ,<br>$C_b = 50\text{ pF}$ , $R_b = 2.7\text{ k}\Omega$ | 1200   |                      | ns   |
|                               |                     | $2.4\text{ V} \leq \text{EV}_{\text{DD}0} \leq 5.5\text{ V}$ ,<br>$C_b = 100\text{ pF}$ , $R_b = 3\text{ k}\Omega$  | 4600   |                      | ns   |
| Data setup time (reception)   | t <sub>SU:DAT</sub> | $2.7\text{ V} \leq \text{EV}_{\text{DD}0} \leq 5.5\text{ V}$ ,<br>$C_b = 50\text{ pF}$ , $R_b = 2.7\text{ k}\Omega$ | $1/f_{\text{MCK}} + 220$<br><sup>Note2</sup> |                      | ns   |
|                               |                     | $2.4\text{ V} \leq \text{EV}_{\text{DD}0} \leq 5.5\text{ V}$ ,<br>$C_b = 100\text{ pF}$ , $R_b = 3\text{ k}\Omega$  | $1/f_{\text{MCK}} + 580$<br><sup>Note2</sup> |                      | ns   |
| Data hold time (transmission) | t <sub>HD:DAT</sub> | $2.7\text{ V} \leq \text{EV}_{\text{DD}0} \leq 5.5\text{ V}$ ,<br>$C_b = 50\text{ pF}$ , $R_b = 2.7\text{ k}\Omega$ | 0  | 770                  | ns   |
|                               |                     | $2.4\text{ V} \leq \text{EV}_{\text{DD}0} \leq 5.5\text{ V}$ ,<br>$C_b = 100\text{ pF}$ , $R_b = 3\text{ k}\Omega$  | 0  | 1420                 | ns   |

**Notes** 1. The value must also be equal to or less than  $f_{\text{MCK}}/4$ .2. Set the  $f_{\text{MCK}}$  value to keep the hold time of SCLr = "L" and SCLr = "H".

**Caution** Select the normal input buffer and the N-ch open drain output ( $\text{V}_{\text{DD}}$  tolerance (for the 20- to 52-pin products)/ $\text{EV}_{\text{DD}}$  tolerance (for the 64- to 100-pin products)) mode for the SDAr pin and the normal output mode for the SCLr pin by using port input mode register g (PIMg) and port output mode register h (POMh).

(Remarks are listed on the next page.)

Simplified I<sup>2</sup>C mode connection diagram (during communication at same potential)Simplified I<sup>2</sup>C mode serial transfer timing (during communication at same potential)

- Remarks**
- $R_b[\Omega]$ : Communication line (SDAr) pull-up resistance,  $C_b[F]$ : Communication line (SDAr, SCLr) load capacitance
  - r: IIC number (r = 00, 01, 10, 11, 20, 21, 30, 31), g: PIM number (g = 0, 1, 4, 5, 8, 14), h: POM number (g = 0, 1, 4, 5, 7 to 9, 14)
  - $f_{MCK}$ : Serial array unit operation clock frequency  
(Operation clock to be set by the CKSmn bit of serial mode register mn (SMRmn). m: Unit number (m = 0, 1), n: Channel number (n = 0 to 3), mn = 00 to 03, 10 to 13)

**(5) Communication at different potential (1.8 V, 2.5 V, 3 V) (UART mode) (1/2)****( $T_A = -40$  to  $+105^\circ\text{C}$ ,  $2.4\text{ V} \leq \text{EV}_{\text{DD}0} = \text{EV}_{\text{DD}1} \leq \text{V}_{\text{DD}} \leq 5.5\text{ V}$ ,  $\text{V}_{\text{SS}} = \text{EV}_{\text{SS}0} = \text{EV}_{\text{SS}1} = 0\text{ V}$ )**

| Parameter     | Symbol | Conditions | HS (high-speed main) Mode  |      | Unit  |      |
|---------------|--------|------------|--|------|---|------|
|               |        |            | MIN.   | MAX. |   |      |
| Transfer rate |        | Reception  | $4.0\text{ V} \leq \text{EV}_{\text{DD}0} \leq 5.5\text{ V}$ ,<br>$2.7\text{ V} \leq \text{V}_b \leq 4.0\text{ V}$     |      | $f_{\text{MCK}}/12$ <sup>Note 1</sup>       | bps  |
|               |        |            | Theoretical value of the maximum transfer rate<br>$f_{\text{CLK}} = 32\text{ MHz}$ , $f_{\text{MCK}} = f_{\text{CLK}}$ |      | 2.6   | Mbps |
|               |        |            | $2.7\text{ V} \leq \text{EV}_{\text{DD}0} < 4.0\text{ V}$ ,<br>$2.3\text{ V} \leq \text{V}_b \leq 2.7\text{ V}$        |      | $f_{\text{MCK}}/12$ <sup>Note 1</sup>       | bps  |
|               |        |            | Theoretical value of the maximum transfer rate<br>$f_{\text{CLK}} = 32\text{ MHz}$ , $f_{\text{MCK}} = f_{\text{CLK}}$ |      | 2.6   | Mbps |
|               |        |            | $2.4\text{ V} \leq \text{EV}_{\text{DD}0} < 3.3\text{ V}$ ,<br>$1.6\text{ V} \leq \text{V}_b \leq 2.0\text{ V}$        |      | $f_{\text{MCK}}/12$<br><sup>Notes 1,2</sup> | bps  |
|               |        |            | Theoretical value of the maximum transfer rate<br>$f_{\text{CLK}} = 32\text{ MHz}$ , $f_{\text{MCK}} = f_{\text{CLK}}$ |      | 2.6   | Mbps |

**Notes 1.** Transfer rate in the SNOOZE mode is 4800 bps only.

- 2.** The following conditions are required for low voltage interface when  $\text{EV}_{\text{DD}0} < \text{V}_{\text{DD}}$ .  
 $2.4\text{ V} \leq \text{EV}_{\text{DD}0} < 2.7\text{ V}$  : MAX. 1.3 Mbps

**Caution** Select the TTL input buffer for the RxDq pin and the N-ch open drain output ( $\text{V}_{\text{DD}}$  tolerance (for the 20- to 52-pin products)/ $\text{EV}_{\text{DD}}$  tolerance (for the 64- to 100-pin products)) mode for the TxDq pin by using port input mode register g (PIMg) and port output mode register g (POMg). For  $\text{V}_{\text{IH}}$  and  $\text{V}_{\text{IL}}$ , see the DC characteristics with TTL input buffer selected.

**Remarks 1.**  $\text{V}_b[\text{V}]$ : Communication line voltage

**2.** q: UART number (q = 0 to 3), g: PIM and POM number (g = 0, 1, 8, 14)

**3.**  $f_{\text{MCK}}$ : Serial array unit operation clock frequency

(Operation clock to be set by the CKSmn bit of serial mode register mn (SMRmn). m: Unit number, n: Channel number (mn = 00 to 03, 10 to 13))

**4.** UART2 cannot communicate at different potential when bit 1 (PIOR1) of peripheral I/O redirection register (PIOR) is 1.

**(5) Communication at different potential (1.8 V, 2.5 V, 3 V) (UART mode) (2/2)****(T<sub>A</sub> = -40 to +105°C, 2.4 V ≤ EV<sub>DD0</sub> = EV<sub>DD1</sub> ≤ V<sub>DD</sub> ≤ 5.5 V, V<sub>SS</sub> = EV<sub>SS0</sub> = EV<sub>SS1</sub> = 0 V)**

| Parameter     | Symbol | Conditions   | HS (high-speed main) Mode   |      | Unit                   |      |
|---------------|--------|--------------|---|------|------------------------|------|
|               |        |              | MIN.  | MAX. |                        |      |
| Transfer rate |        | Transmission | 4.0 V ≤ EV <sub>DD0</sub> ≤ 5.5 V,<br>2.7 V ≤ V <sub>b</sub> ≤ 4.0 V  |      | <b>Note 1</b>          | bps  |
|               |        |              | Theoretical value of the maximum transfer rate<br>C <sub>b</sub> = 50 pF, R <sub>b</sub> = 1.4 kΩ, V <sub>b</sub> = 2.7 V |      | 2.6 <sup>Note 2</sup>  | Mbps |
|               |        |              | 2.7 V ≤ EV <sub>DD0</sub> < 4.0 V,<br>2.3 V ≤ V <sub>b</sub> ≤ 2.7 V  |      | <b>Note 3</b>          | bps  |
|               |        |              | Theoretical value of the maximum transfer rate<br>C <sub>b</sub> = 50 pF, R <sub>b</sub> = 2.7 kΩ, V <sub>b</sub> = 2.3 V |      | 1.2 <sup>Note 4</sup>  | Mbps |
|               |        |              | 2.4 V ≤ EV <sub>DD0</sub> < 3.3 V,<br>1.6 V ≤ V <sub>b</sub> ≤ 2.0 V  |      | <b>Note 5</b>          | bps  |
|               |        |              | Theoretical value of the maximum transfer rate<br>C <sub>b</sub> = 50 pF, R <sub>b</sub> = 5.5 kΩ, V <sub>b</sub> = 1.6 V |      | 0.43 <sup>Note 6</sup> | Mbps |

**Notes 1.** The smaller maximum transfer rate derived by using f<sub>MCK</sub>/12 or the following expression is the valid maximum transfer rate.

Expression for calculating the transfer rate when 4.0 V ≤ EV<sub>DD0</sub> ≤ 5.5 V and 2.7 V ≤ V<sub>b</sub> ≤ 4.0 V

$$\text{Maximum transfer rate} = \frac{1}{\{-C_b \times R_b \times \ln(1 - \frac{2.2}{V_b})\} \times 3} \text{ [bps]}$$

$$\text{Baud rate error (theoretical value)} = \frac{\frac{1}{\text{Transfer rate} \times 2} - \{-C_b \times R_b \times \ln(1 - \frac{2.2}{V_b})\}}{\left(\frac{1}{\text{Transfer rate}}\right) \times \text{Number of transferred bits}} \times 100 \text{ [%]}$$

\* This value is the theoretical value of the relative difference between the transmission and reception sides.

- This value as an example is calculated when the conditions described in the "Conditions" column are met. Refer to Note 1 above to calculate the maximum transfer rate under conditions of the customer.
- The smaller maximum transfer rate derived by using f<sub>MCK</sub>/12 or the following expression is the valid maximum transfer rate.

Expression for calculating the transfer rate when 2.7 V ≤ EV<sub>DD0</sub> < 4.0 V and 2.4 V ≤ V<sub>b</sub> ≤ 2.7 V

$$\text{Maximum transfer rate} = \frac{1}{\{-C_b \times R_b \times \ln(1 - \frac{2.0}{V_b})\} \times 3} \text{ [bps]}$$

$$\text{Baud rate error (theoretical value)} = \frac{\frac{1}{\text{Transfer rate} \times 2} - \{-C_b \times R_b \times \ln(1 - \frac{2.0}{V_b})\}}{\left(\frac{1}{\text{Transfer rate}}\right) \times \text{Number of transferred bits}} \times 100 \text{ [%]}$$

\* This value is the theoretical value of the relative difference between the transmission and reception sides.

- This value as an example is calculated when the conditions described in the "Conditions" column are met. Refer to Note 3 above to calculate the maximum transfer rate under conditions of the customer.

**Notes 5.** The smaller maximum transfer rate derived by using  $f_{\text{MCK}}/12$  or the following expression is the valid maximum transfer rate.

Expression for calculating the transfer rate when  $2.4\text{ V} \leq \text{EV}_{\text{DD0}} < 3.3\text{ V}$  and  $1.6\text{ V} \leq V_b \leq 2.0\text{ V}$

$$\text{Maximum transfer rate} = \frac{1}{\{-C_b \times R_b \times \ln(1 - \frac{1.5}{V_b})\} \times 3} \text{ [bps]}$$

$$\text{Baud rate error (theoretical value)} = \frac{\frac{1}{\text{Transfer rate} \times 2} - \{-C_b \times R_b \times \ln(1 - \frac{1.5}{V_b})\}}{(\frac{1}{\text{Transfer rate}}) \times \text{Number of transferred bits}} \times 100 \text{ [%]}$$

\* This value is the theoretical value of the relative difference between the transmission and reception sides.

6. This value as an example is calculated when the conditions described in the “Conditions” column are met. Refer to Note 5 above to calculate the maximum transfer rate under conditions of the customer.

**Caution** Select the TTL input buffer for the RxDq pin and the N-ch open drain output ( $V_{\text{DD}}$  tolerance (for the 20- to 52-pin products)/ $\text{EV}_{\text{DD}}$  tolerance (for the 64- to 100-pin products)) mode for the TxDq pin by using port input mode register g (PIMg) and port output mode register g (POMg). For  $V_{\text{IH}}$  and  $V_{\text{IL}}$ , see the DC characteristics with TTL input buffer selected.

UART mode connection diagram (during communication at different potential)



**UART mode bit width (during communication at different potential) (reference)**

- Remarks 1.**  $R_b[\Omega]$ : Communication line (TxDq) pull-up resistance,  
 $C_b[\text{F}]$ : Communication line (TxDq) load capacitance,  $V_b[\text{V}]$ : Communication line voltage
2.  $q$ : UART number ( $q = 0$  to  $3$ ),  $g$ : PIM and POM number ( $g = 0, 1, 8, 14$ )
  3.  $f_{\text{MCK}}$ : Serial array unit operation clock frequency  
 (Operation clock to be set by the CKSmn bit of serial mode register mn (SMRmn).  
 $m$ : Unit number,  $n$ : Channel number ( $mn = 00$  to  $03, 10$  to  $13$ ))
  4. UART2 cannot communicate at different potential when bit 1 (PIOR1) of peripheral I/O redirection register (PIOR) is 1.

**(6) Communication at different potential (1.8 V, 2.5 V, 3 V) (CSI mode) (master mode, SCKp... internal clock output) (1/3)****( $T_A = -40$  to  $+105^\circ\text{C}$ ,  $2.4\text{ V} \leq EV_{DD0} = EV_{DD1} \leq V_{DD} \leq 5.5\text{ V}$ ,  $V_{SS} = EV_{SS0} = EV_{SS1} = 0\text{ V}$ )**

| Parameter             | Symbol     | Conditions   | HS (high-speed main) Mode |      | Unit |
|-----------------------|------------|--|---------------------------|------|------|
|                       |            |  | MIN.                      | MAX. |      |
| SCKp cycle time       | $t_{KCY1}$ | $t_{KCY1} \geq 4/f_{CLK}$<br>$4.0\text{ V} \leq EV_{DD0} \leq 5.5\text{ V}$ , $2.7\text{ V} \leq V_b \leq 4.0\text{ V}$ ,<br>$C_b = 30\text{ pF}$ , $R_b = 1.4\text{ k}\Omega$ | 600                       |      | ns   |
|                       |            | $2.7\text{ V} \leq EV_{DD0} < 4.0\text{ V}$ , $2.3\text{ V} \leq V_b \leq 2.7\text{ V}$ ,<br>$C_b = 30\text{ pF}$ , $R_b = 2.7\text{ k}\Omega$                                 | 1000                      |      | ns   |
|                       |            | $2.4\text{ V} \leq EV_{DD0} < 3.3\text{ V}$ , $1.6\text{ V} \leq V_b \leq 2.0\text{ V}$ ,<br>$C_b = 30\text{ pF}$ , $R_b = 5.5\text{ k}\Omega$                                 | 2300                      |      | ns   |
| SCKp high-level width | $t_{KH1}$  | $4.0\text{ V} \leq EV_{DD0} \leq 5.5\text{ V}$ , $2.7\text{ V} \leq V_b \leq 4.0\text{ V}$ ,<br>$C_b = 30\text{ pF}$ , $R_b = 1.4\text{ k}\Omega$                              | $t_{KCY1}/2 - 150$        |      | ns   |
|                       |            | $2.7\text{ V} \leq EV_{DD0} < 4.0\text{ V}$ , $2.3\text{ V} \leq V_b \leq 2.7\text{ V}$ ,<br>$C_b = 30\text{ pF}$ , $R_b = 2.7\text{ k}\Omega$                                 | $t_{KCY1}/2 - 340$        |      | ns   |
|                       |            | $2.4\text{ V} \leq EV_{DD0} < 3.3\text{ V}$ , $1.6\text{ V} \leq V_b \leq 2.0\text{ V}$ ,<br>$C_b = 30\text{ pF}$ , $R_b = 5.5\text{ k}\Omega$                                 | $t_{KCY1}/2 - 916$        |      | ns   |
| SCKp low-level width  | $t_{KL1}$  | $4.0\text{ V} \leq EV_{DD0} \leq 5.5\text{ V}$ , $2.7\text{ V} \leq V_b \leq 4.0\text{ V}$ ,<br>$C_b = 30\text{ pF}$ , $R_b = 1.4\text{ k}\Omega$                              | $t_{KCY1}/2 - 24$         |      | ns   |
|                       |            | $2.7\text{ V} \leq EV_{DD0} < 4.0\text{ V}$ , $2.3\text{ V} \leq V_b \leq 2.7\text{ V}$ ,<br>$C_b = 30\text{ pF}$ , $R_b = 2.7\text{ k}\Omega$                                 | $t_{KCY1}/2 - 36$         |      | ns   |
|                       |            | $2.4\text{ V} \leq EV_{DD0} < 3.3\text{ V}$ , $1.6\text{ V} \leq V_b \leq 2.0\text{ V}$ ,<br>$C_b = 30\text{ pF}$ , $R_b = 5.5\text{ k}\Omega$                                 | $t_{KCY1}/2 - 100$        |      | ns   |

**Caution** Select the TTL input buffer for the SIp pin and the N-ch open drain output ( $V_{DD}$  tolerance (for the 20- to 52-pin products)/ $EV_{DD}$  tolerance (for the 64- to 100-pin products)) mode for the SOp pin and SCKp pin by using port input mode register g (PIMg) and port output mode register g (POMg). For  $V_{IH}$  and  $V_{IL}$ , see the DC characteristics with TTL input buffer selected.

(Remarks are listed two pages after the next page.)



**(6) Communication at different potential (1.8 V, 2.5 V, 3 V) (CSI mode) (master mode, SCKp... internal clock output) (2/3)****( $T_A = -40$  to  $+105^\circ\text{C}$ ,  $2.4\text{ V} \leq EV_{DD0} = EV_{DD1} \leq V_{DD} \leq 5.5\text{ V}$ ,  $V_{SS} = EV_{SS0} = EV_{SS1} = 0\text{ V}$ )**

| Parameter  | Symbol     | Conditions  | HS (high-speed main) Mode |      | Unit |
|--|------------|---|---------------------------|------|------|
|  |            |   | MIN.                      | MAX. |      |
| Slp setup time<br>(to SCKp $\uparrow$ ) <sup>Note</sup>            | $t_{SIK1}$ | $4.0\text{ V} \leq EV_{DD0} \leq 5.5\text{ V}$ , $2.7\text{ V} \leq V_b \leq 4.0\text{ V}$ ,<br>$C_b = 30\text{ pF}$ , $R_b = 1.4\text{ k}\Omega$ | 162                       |      | ns   |
|  |            | $2.7\text{ V} \leq EV_{DD0} < 4.0\text{ V}$ , $2.3\text{ V} \leq V_b \leq 2.7\text{ V}$ ,<br>$C_b = 30\text{ pF}$ , $R_b = 2.7\text{ k}\Omega$    | 354                       |      | ns   |
|  |            | $2.4\text{ V} \leq EV_{DD0} < 3.3\text{ V}$ , $1.6\text{ V} \leq V_b \leq 2.0\text{ V}$ ,<br>$C_b = 30\text{ pF}$ , $R_b = 5.5\text{ k}\Omega$    | 958                       |      | ns   |
| Slp hold time<br>(from SCKp $\uparrow$ ) <sup>Note</sup>           | $t_{KSI1}$ | $4.0\text{ V} \leq EV_{DD0} \leq 5.5\text{ V}$ , $2.7\text{ V} \leq V_b \leq 4.0\text{ V}$ ,<br>$C_b = 30\text{ pF}$ , $R_b = 1.4\text{ k}\Omega$ | 38                        |      | ns   |
|  |            | $2.7\text{ V} \leq EV_{DD0} < 4.0\text{ V}$ , $2.3\text{ V} \leq V_b \leq 2.7\text{ V}$ ,<br>$C_b = 30\text{ pF}$ , $R_b = 2.7\text{ k}\Omega$    | 38                        |      | ns   |
|  |            | $2.4\text{ V} \leq EV_{DD0} < 3.3\text{ V}$ , $1.6\text{ V} \leq V_b \leq 2.0\text{ V}$ ,<br>$C_b = 30\text{ pF}$ , $R_b = 2.7\text{ k}\Omega$    | 38                        |      | ns   |
| Delay time from SCKp $\downarrow$ to<br>SOp output <sup>Note</sup> | $t_{KSO1}$ | $4.0\text{ V} \leq EV_{DD0} \leq 5.5\text{ V}$ , $2.7\text{ V} \leq V_b \leq 4.0\text{ V}$ ,<br>$C_b = 30\text{ pF}$ , $R_b = 1.4\text{ k}\Omega$ |                           | 200  | ns   |
|  |            | $2.7\text{ V} \leq EV_{DD0} < 4.0\text{ V}$ , $2.3\text{ V} \leq V_b \leq 2.7\text{ V}$ ,<br>$C_b = 30\text{ pF}$ , $R_b = 2.7\text{ k}\Omega$    |                           | 390  | ns   |
|  |            | $2.4\text{ V} \leq EV_{DD0} < 3.3\text{ V}$ , $1.6\text{ V} \leq V_b \leq 2.0\text{ V}$ ,<br>$C_b = 30\text{ pF}$ , $R_b = 5.5\text{ k}\Omega$    |                           | 966  | ns   |

**Note** When DAPmn = 0 and CKPmn = 0, or DAPmn = 1 and CKPmn = 1.

**Caution** Select the TTL input buffer for the Slp pin and the N-ch open drain output ( $V_{DD}$  tolerance (for the 20- to 52-pin products)/ $EV_{DD}$  tolerance (for the 64- to 100-pin products)) mode for the SOp pin and SCKp pin by using port input mode register g (PIMg) and port output mode register g (POMg). For  $V_{IH}$  and  $V_{IL}$ , see the DC characteristics with TTL input buffer selected.

(Remarks are listed on the page after the next page.)

**(6) Communication at different potential (1.8 V, 2.5 V, 3 V) (CSI mode) (master mode, SCKp... internal clock output) (3/3)****( $T_A = -40$  to  $+105^\circ\text{C}$ ,  $2.4\text{ V} \leq EV_{DD0} = EV_{DD1} \leq V_{DD} \leq 5.5\text{ V}$ ,  $V_{SS} = EV_{SS0} = EV_{SS1} = 0\text{ V}$ )**

| Parameter  | Symbol            | Conditions  | HS (high-speed main) Mode |      | Unit |
|--|-------------------|---|---------------------------|------|------|
|  |                   |   | MIN.                      | MAX. |      |
| Slp setup time<br>(to SCKp↓) <sup>Note</sup>           | t <sub>SIK1</sub> | 4.0 V ≤ EV <sub>DD0</sub> ≤ 5.5 V, 2.7 V ≤ V <sub>b</sub> ≤ 4.0 V,<br>C <sub>b</sub> = 30 pF, R <sub>b</sub> = 1.4 kΩ | 88                        |      | ns   |
|  |                   | 2.7 V ≤ EV <sub>DD0</sub> < 4.0 V, 2.3 V ≤ V <sub>b</sub> ≤ 2.7 V,<br>C <sub>b</sub> = 30 pF, R <sub>b</sub> = 2.7 kΩ | 88                        |      | ns   |
|  |                   | 2.4 V ≤ EV <sub>DD0</sub> < 3.3 V, 1.6 V ≤ V <sub>b</sub> ≤ 2.0 V,<br>C <sub>b</sub> = 30 pF, R <sub>b</sub> = 5.5 kΩ | 220                       |      | ns   |
| Slp hold time<br>(from SCKp↓) <sup>Note</sup>          | t <sub>KS11</sub> | 4.0 V ≤ EV <sub>DD0</sub> ≤ 5.5 V, 2.7 V ≤ V <sub>b</sub> ≤ 4.0 V,<br>C <sub>b</sub> = 30 pF, R <sub>b</sub> = 1.4 kΩ | 38                        |      | ns   |
|  |                   | 2.7 V ≤ EV <sub>DD0</sub> < 4.0 V, 2.3 V ≤ V <sub>b</sub> ≤ 2.7 V,<br>C <sub>b</sub> = 30 pF, R <sub>b</sub> = 2.7 kΩ | 38                        |      | ns   |
|  |                   | 2.4 V ≤ EV <sub>DD0</sub> < 3.3 V, 1.6 V ≤ V <sub>b</sub> ≤ 2.0 V,<br>C <sub>b</sub> = 30 pF, R <sub>b</sub> = 5.5 kΩ | 38                        |      | ns   |
| Delay time from SCKp↑ to<br>SOp output <sup>Note</sup> | t <sub>KSO1</sub> | 4.0 V ≤ EV <sub>DD0</sub> ≤ 5.5 V, 2.7 V ≤ V <sub>b</sub> ≤ 4.0 V,<br>C <sub>b</sub> = 30 pF, R <sub>b</sub> = 1.4 kΩ |                           | 50   | ns   |
|  |                   | 2.7 V ≤ EV <sub>DD0</sub> < 4.0 V, 2.3 V ≤ V <sub>b</sub> ≤ 2.7 V,<br>C <sub>b</sub> = 30 pF, R <sub>b</sub> = 2.7 kΩ |                           | 50   | ns   |
|  |                   | 2.4 V ≤ EV <sub>DD0</sub> < 3.3 V, 1.6 V ≤ V <sub>b</sub> ≤ 2.0 V,<br>C <sub>b</sub> = 30 pF, R <sub>b</sub> = 5.5 kΩ |                           | 50   | ns   |

**Note** When DAPmn = 0 and CKPmn = 1, or DAPmn = 1 and CKPmn = 0.

**Caution** Select the TTL input buffer for the Slp pin and the N-ch open drain output ( $V_{DD}$  tolerance (for the 20- to 52-pin products)/ $EV_{DD}$  tolerance (for the 64- to 100-pin products)) mode for the SOp pin and SCKp pin by using port input mode register g (PIMg) and port output mode register g (POMg). For  $V_{IH}$  and  $V_{IL}$ , see the DC characteristics with TTL input buffer selected.

(Remarks are listed on the next page.)

**CSI mode connection diagram (during communication at different potential)**

- Remarks**
- $R_b[\Omega]$ : Communication line (SCKp, SOp) pull-up resistance,  $C_b[F]$ : Communication line (SCKp, SOp) load capacitance,  $V_b[V]$ : Communication line voltage
  - p: CSI number ( $p = 00, 01, 10, 20, 30, 31$ ), m: Unit number, n: Channel number ( $mn = 00, 01, 02, 10, 12, 13$ ), g: PIM and POM number ( $g = 0, 1, 4, 5, 8, 14$ )
  - $f_{mck}$ : Serial array unit operation clock frequency  
(Operation clock to be set by the CKSmn bit of serial mode register mn (SMRmn).  
m: Unit number, n: Channel number ( $mn = 00$ ))
  - CSI01 of 48-, 52-, 64-pin products, and CSI11 and CSI21 cannot communicate at different potential. Use other CSI for communication at different potential.

**CSI mode serial transfer timing (master mode) (during communication at different potential)**  
**(When DAPmn = 0 and CKPmn = 0, or DAPmn = 1 and CKPmn = 1.)**



**CSI mode serial transfer timing (master mode) (during communication at different potential)**  
**(When DAPmn = 0 and CKPmn = 1, or DAPmn = 1 and CKPmn = 0.)**



- Remarks**
1. p: CSI number (p = 00, 01, 10, 20, 30, 31), m: Unit number (m = 00, 01, 02, 10, 12, 13), n: Channel number (n = 0, 2), g: PIM and POM number (g = 0, 1, 4, 5, 8, 14)
  2. CSI01 of 48-, 52-, 64-pin products, and CSI11 and CSI21 cannot communicate at different potential. Use other CSI for communication at different potential.

**(7) Communication at different potential (1.8 V, 2.5 V, 3 V) (CSI mode) (slave mode, SCKp... external clock input)**  
**( $T_A = -40$  to  $+105^\circ\text{C}$ ,  $2.4\text{ V} \leq \text{EV}_{\text{DD0}} = \text{EV}_{\text{DD1}} \leq \text{V}_{\text{DD}} \leq 5.5\text{ V}$ ,  $\text{V}_{\text{SS}} = \text{EV}_{\text{SS0}} = \text{EV}_{\text{SS1}} = 0\text{ V}$ )**

| Parameter  | Symbol                                 | Conditions   | HS (high-speed main) Mode                           |                           | Unit |    |
|--|--|--|---|---------------------------|------|----|
|  |  |  | MIN.  | MAX.                      |      |    |
| SCKp cycle time <sup>Note 1</sup>                                    | $t_{\text{KCY2}}$                      | $4.0\text{ V} \leq \text{EV}_{\text{DD0}} \leq 5.5\text{ V}$ ,<br>$2.7\text{ V} \leq \text{V}_b \leq 4.0\text{ V}$   | $24\text{ MHz} < f_{\text{MCK}}$                    | $28/f_{\text{MCK}}$       |      | ns |
|  |  |  | $20\text{ MHz} < f_{\text{MCK}} \leq 24\text{ MHz}$ | $24/f_{\text{MCK}}$       |      | ns |
|  |  |  | $8\text{ MHz} < f_{\text{MCK}} \leq 20\text{ MHz}$  | $20/f_{\text{MCK}}$       |      | ns |
|  |  |  | $4\text{ MHz} < f_{\text{MCK}} \leq 8\text{ MHz}$   | $16/f_{\text{MCK}}$       |      | ns |
|  |  |  | $f_{\text{MCK}} \leq 4\text{ MHz}$                  | $12/f_{\text{MCK}}$       |      | ns |
|  |  | $2.7\text{ V} \leq \text{EV}_{\text{DD0}} < 4.0\text{ V}$ ,<br>$2.3\text{ V} \leq \text{V}_b \leq 2.7\text{ V}$  | $24\text{ MHz} < f_{\text{MCK}}$                    | $40/f_{\text{MCK}}$       |      | ns |
|  |  |  | $20\text{ MHz} < f_{\text{MCK}} \leq 24\text{ MHz}$ | $32/f_{\text{MCK}}$       |      | ns |
|  |  |  | $16\text{ MHz} < f_{\text{MCK}} \leq 20\text{ MHz}$ | $28/f_{\text{MCK}}$       |      | ns |
|  |  |  | $8\text{ MHz} < f_{\text{MCK}} \leq 16\text{ MHz}$  | $24/f_{\text{MCK}}$       |      | ns |
|  |  |  | $4\text{ MHz} < f_{\text{MCK}} \leq 8\text{ MHz}$   | $16/f_{\text{MCK}}$       |      | ns |
|  |  | $2.4\text{ V} \leq \text{EV}_{\text{DD0}} < 3.3\text{ V}$ ,<br>$1.6\text{ V} \leq \text{V}_b \leq 2.0\text{ V}$  | $f_{\text{MCK}} \leq 4\text{ MHz}$                  | $12/f_{\text{MCK}}$       |      | ns |
|  |  |  | $24\text{ MHz} < f_{\text{MCK}}$                    | $96/f_{\text{MCK}}$       |      | ns |
|  |  |  | $20\text{ MHz} < f_{\text{MCK}} \leq 24\text{ MHz}$ | $72/f_{\text{MCK}}$       |      | ns |
|  |  |  | $16\text{ MHz} < f_{\text{MCK}} \leq 20\text{ MHz}$ | $64/f_{\text{MCK}}$       |      | ns |
|  |  |  | $8\text{ MHz} < f_{\text{MCK}} \leq 16\text{ MHz}$  | $52/f_{\text{MCK}}$       |      | ns |
| SCKp high-/low-level width   | $t_{\text{KH2}}$ ,<br>$t_{\text{KL2}}$ | $4.0\text{ V} \leq \text{EV}_{\text{DD0}} \leq 5.5\text{ V}$ ,<br>$2.7\text{ V} \leq \text{V}_b \leq 4.0\text{ V}$   | $t_{\text{KCY2}}/2 - 24$                            |                           | ns   |    |
|  |  | $2.7\text{ V} \leq \text{EV}_{\text{DD0}} < 4.0\text{ V}$ ,<br>$2.3\text{ V} \leq \text{V}_b \leq 2.7\text{ V}$  | $t_{\text{KCY2}}/2 - 36$                            |                           | ns   |    |
|  |  | $2.4\text{ V} \leq \text{EV}_{\text{DD0}} < 3.3\text{ V}$ ,<br>$1.6\text{ V} \leq \text{V}_b \leq 2.0\text{ V}$ <sup>Note 2</sup>                                      | $t_{\text{KCY2}}/2 - 100$                           |                           | ns   |    |
| Slp setup time<br>(to SCKp $\uparrow$ ) <sup>Note 2</sup>            | $t_{\text{SIK2}}$                      | $4.0\text{ V} \leq \text{EV}_{\text{DD0}} \leq 5.5\text{ V}$ ,<br>$2.7\text{ V} \leq \text{V}_b \leq 4.0\text{ V}$   | $1/f_{\text{MCK}} + 40$                             |                           | ns   |    |
|  |  | $2.7\text{ V} \leq \text{EV}_{\text{DD0}} < 4.0\text{ V}$ ,<br>$2.3\text{ V} \leq \text{V}_b \leq 2.7\text{ V}$  | $1/f_{\text{MCK}} + 40$                             |                           | ns   |    |
|  |  | $2.4\text{ V} \leq \text{EV}_{\text{DD0}} < 3.3\text{ V}$ ,<br>$1.6\text{ V} \leq \text{V}_b \leq 2.0\text{ V}$  | $1/f_{\text{MCK}} + 60$                             |                           | ns   |    |
| Slp hold time<br>(from SCKp $\uparrow$ ) <sup>Note 3</sup>           | $t_{\text{KSI2}}$                      |  | $1/f_{\text{MCK}} + 62$                             |                           | ns   |    |
| Delay time from SCKp $\downarrow$ to<br>SOp output <sup>Note 4</sup> | $t_{\text{KSO2}}$                      | $4.0\text{ V} \leq \text{EV}_{\text{DD0}} \leq 5.5\text{ V}$ , $2.7\text{ V} \leq \text{V}_b \leq 4.0\text{ V}$ ,<br>$C_b = 30\text{ pF}$ , $R_b = 1.4\text{ k}\Omega$ |   | $2/f_{\text{MCK}} + 240$  | ns   |    |
|  |  | $2.7\text{ V} \leq \text{EV}_{\text{DD0}} < 4.0\text{ V}$ , $2.3\text{ V} \leq \text{V}_b \leq 2.7\text{ V}$ ,<br>$C_b = 30\text{ pF}$ , $R_b = 2.7\text{ k}\Omega$    |   | $2/f_{\text{MCK}} + 428$  | ns   |    |
|  |  | $2.4\text{ V} \leq \text{EV}_{\text{DD0}} < 3.3\text{ V}$ , $1.6\text{ V} \leq \text{V}_b \leq 2.0\text{ V}$<br>$C_b = 30\text{ pF}$ , $R_b = 5.5\text{ k}\Omega$      |   | $2/f_{\text{MCK}} + 1146$ | ns   |    |

(Notes, Caution and Remarks are listed on the next page.)

- Notes**
1. Transfer rate in the SNOOZE mode : MAX. 1 Mbps
  2. When  $\text{DAPmn} = 0$  and  $\text{CKPmn} = 0$ , or  $\text{DAPmn} = 1$  and  $\text{CKPmn} = 1$ . The  $\text{Slp}$  setup time becomes “to  $\text{SCKp}\downarrow$ ” when  $\text{DAPmn} = 0$  and  $\text{CKPmn} = 1$ , or  $\text{DAPmn} = 1$  and  $\text{CKPmn} = 0$ .
  3. When  $\text{DAPmn} = 0$  and  $\text{CKPmn} = 0$ , or  $\text{DAPmn} = 1$  and  $\text{CKPmn} = 1$ . The  $\text{Slp}$  hold time becomes “from  $\text{SCKp}\downarrow$ ” when  $\text{DAPmn} = 0$  and  $\text{CKPmn} = 1$ , or  $\text{DAPmn} = 1$  and  $\text{CKPmn} = 0$ .
  4. When  $\text{DAPmn} = 0$  and  $\text{CKPmn} = 0$ , or  $\text{DAPmn} = 1$  and  $\text{CKPmn} = 1$ . The delay time to  $\text{SOp}$  output becomes “from  $\text{SCKp}\uparrow$ ” when  $\text{DAPmn} = 0$  and  $\text{CKPmn} = 1$ , or  $\text{DAPmn} = 1$  and  $\text{CKPmn} = 0$ .

**Caution** Select the TTL input buffer for the  $\text{Slp}$  pin and  $\text{SCKp}$  pin and the N-ch open drain output ( $V_{DD}$  tolerance (for the 20- to 52-pin products)/ $EV_{DD}$  tolerance (for the 64- to 128-pin products)) mode for the  $\text{SOp}$  pin by using port input mode register g (PIMg) and port output mode register g (POMg). For  $V_{IH}$  and  $V_{IL}$ , see the DC characteristics with TTL input buffer selected.

#### CSI mode connection diagram (during communication at different potential)



- Remarks**
1.  $R_b[\Omega]$ : Communication line ( $\text{SOp}$ ) pull-up resistance,  $C_b[\text{F}]$ : Communication line ( $\text{SOp}$ ) load capacitance,  $V_b[\text{V}]$ : Communication line voltage
  2. p: CSI number ( $p = 00, 01, 10, 20, 30, 31$ ), m: Unit number ( $m = 0, 1$ ), n: Channel number ( $n = 00, 01, 02, 10, 12, 13$ ), g: PIM and POM number ( $g = 0, 1, 4, 5, 8, 14$ )
  3.  $f_{\text{MCK}}$ : Serial array unit operation clock frequency  
(Operation clock to be set by the  $\text{CKSmn}$  bit of serial mode register mn (SMRmn).  
m: Unit number, n: Channel number ( $mn = 00, 01, 02, 10, 12, 13$ ))
  4. CSI01 of 48-, 52-, 64-pin products, and CSI11 and CSI21 cannot communicate at different potential. Use other CSI for communication at different potential.

**CSI mode serial transfer timing (slave mode) (during communication at different potential)**  
**(When DAPmn = 0 and CKPmn = 0, or DAPmn = 1 and CKPmn = 1.)**



**CSI mode serial transfer timing (slave mode) (during communication at different potential)**  
**(When DAPmn = 0 and CKPmn = 1, or DAPmn = 1 and CKPmn = 0.)**



- Remarks 1.** p: CSI number (p = 00, 01, 10, 20, 30, 31), m: Unit number,  
 n: Channel number (mn = 00, 01, 02, 10, 12, 13), g: PIM and POM number (g = 0, 1, 4, 5, 8, 14)
- 2.** CSI01 of 48-, 52-, 64-pin products, and CSI11 and CSI21 cannot communicate at different potential. Use other CSI for communication at different potential.

**(8) Communication at different potential (1.8 V, 2.5 V, 3 V) (simplified I<sup>2</sup>C mode) (1/2)****( $T_A = -40$  to  $+105^\circ\text{C}$ ,  $2.4\text{ V} \leq \text{EV}_{\text{DD0}} = \text{EV}_{\text{DD1}} \leq \text{V}_{\text{DD}} \leq 5.5\text{ V}$ ,  $\text{V}_{\text{SS}} = \text{EV}_{\text{SS0}} = \text{EV}_{\text{SS1}} = 0\text{ V}$ )**

| Parameter                 | Symbol            | Conditions  | HS (high-speed main) Mode |                       | Unit |
|---------------------------|-------------------|---|---------------------------|-----------------------|------|
|                           |                   |   | MIN.                      | MAX.                  |      |
| SCLr clock frequency      | f <sub>SCL</sub>  | 4.0 V $\leq$ EV <sub>DD0</sub> $\leq$ 5.5 V,<br>2.7 V $\leq$ V <sub>b</sub> $\leq$ 4.0 V,<br>C <sub>b</sub> = 50 pF, R <sub>b</sub> = 2.7 k $\Omega$  |                           | 400 <sup>Note 1</sup> | kHz  |
|                           |                   | 2.7 V $\leq$ EV <sub>DD0</sub> < 4.0 V,<br>2.3 V $\leq$ V <sub>b</sub> $\leq$ 2.7 V,<br>C <sub>b</sub> = 50 pF, R <sub>b</sub> = 2.7 k $\Omega$       |                           | 400 <sup>Note 1</sup> | kHz  |
|                           |                   | 4.0 V $\leq$ EV <sub>DD0</sub> $\leq$ 5.5 V,<br>2.7 V $\leq$ V <sub>b</sub> $\leq$ 4.0 V,<br>C <sub>b</sub> = 100 pF, R <sub>b</sub> = 2.8 k $\Omega$ |                           | 100 <sup>Note 1</sup> | kHz  |
|                           |                   | 2.7 V $\leq$ EV <sub>DD0</sub> < 4.0 V,<br>2.3 V $\leq$ V <sub>b</sub> $\leq$ 2.7 V,<br>C <sub>b</sub> = 100 pF, R <sub>b</sub> = 2.7 k $\Omega$      |                           | 100 <sup>Note 1</sup> | kHz  |
|                           |                   | 2.4 V $\leq$ EV <sub>DD0</sub> < 3.3 V,<br>1.6 V $\leq$ V <sub>b</sub> $\leq$ 2.0 V,<br>C <sub>b</sub> = 100 pF, R <sub>b</sub> = 5.5 k $\Omega$      |                           | 100 <sup>Note 1</sup> | kHz  |
| Hold time when SCLr = "L" | t <sub>LOW</sub>  | 4.0 V $\leq$ EV <sub>DD0</sub> $\leq$ 5.5 V,<br>2.7 V $\leq$ V <sub>b</sub> $\leq$ 4.0 V,<br>C <sub>b</sub> = 50 pF, R <sub>b</sub> = 2.7 k $\Omega$  | 1200                      |                       | ns   |
|                           |                   | 2.7 V $\leq$ EV <sub>DD0</sub> < 4.0 V,<br>2.3 V $\leq$ V <sub>b</sub> $\leq$ 2.7 V,<br>C <sub>b</sub> = 50 pF, R <sub>b</sub> = 2.7 k $\Omega$       | 1200                      |                       | ns   |
|                           |                   | 4.0 V $\leq$ EV <sub>DD0</sub> $\leq$ 5.5 V,<br>2.7 V $\leq$ V <sub>b</sub> $\leq$ 4.0 V,<br>C <sub>b</sub> = 100 pF, R <sub>b</sub> = 2.8 k $\Omega$ | 4600                      |                       | ns   |
|                           |                   | 2.7 V $\leq$ EV <sub>DD0</sub> < 4.0 V,<br>2.3 V $\leq$ V <sub>b</sub> $\leq$ 2.7 V,<br>C <sub>b</sub> = 100 pF, R <sub>b</sub> = 2.7 k $\Omega$      | 4600                      |                       | ns   |
|                           |                   | 2.4 V $\leq$ EV <sub>DD0</sub> < 3.3 V,<br>1.6 V $\leq$ V <sub>b</sub> $\leq$ 2.0 V,<br>C <sub>b</sub> = 100 pF, R <sub>b</sub> = 5.5 k $\Omega$      | 4650                      |                       | ns   |
| Hold time when SCLr = "H" | t <sub>HIGH</sub> | 4.0 V $\leq$ EV <sub>DD0</sub> $\leq$ 5.5 V,<br>2.7 V $\leq$ V <sub>b</sub> $\leq$ 4.0 V,<br>C <sub>b</sub> = 50 pF, R <sub>b</sub> = 2.7 k $\Omega$  | 620                       |                       | ns   |
|                           |                   | 2.7 V $\leq$ EV <sub>DD0</sub> < 4.0 V,<br>2.3 V $\leq$ V <sub>b</sub> $\leq$ 2.7 V,<br>C <sub>b</sub> = 50 pF, R <sub>b</sub> = 2.7 k $\Omega$       | 500                       |                       | ns   |
|                           |                   | 4.0 V $\leq$ EV <sub>DD0</sub> $\leq$ 5.5 V,<br>2.7 V $\leq$ V <sub>b</sub> $\leq$ 4.0 V,<br>C <sub>b</sub> = 100 pF, R <sub>b</sub> = 2.8 k $\Omega$ | 2700                      |                       | ns   |
|                           |                   | 2.7 V $\leq$ EV <sub>DD0</sub> < 4.0 V,<br>2.3 V $\leq$ V <sub>b</sub> $\leq$ 2.7 V,<br>C <sub>b</sub> = 100 pF, R <sub>b</sub> = 2.7 k $\Omega$      | 2400                      |                       | ns   |
|                           |                   | 2.4 V $\leq$ EV <sub>DD0</sub> < 3.3 V,<br>1.6 V $\leq$ V <sub>b</sub> $\leq$ 2.0 V,<br>C <sub>b</sub> = 100 pF, R <sub>b</sub> = 5.5 k $\Omega$      | 1830                      |                       | ns   |

(Notes and Caution are listed on the next page, and Remarks are listed on the page after the next page.)



**(8) Communication at different potential (1.8 V, 2.5 V, 3 V) (simplified I<sup>2</sup>C mode) (2/2)****( $T_A = -40$  to  $+105^\circ\text{C}$ ,  $2.4\text{ V} \leq \text{EV}_{\text{DD0}} = \text{EV}_{\text{DD1}} \leq \text{V}_{\text{DD}} \leq 5.5\text{ V}$ ,  $\text{V}_{\text{SS}} = \text{EV}_{\text{SS0}} = \text{EV}_{\text{SS1}} = 0\text{ V}$ )**

| Parameter                     | Symbol              | Conditions   | HS (high-speed main) Mode          |      | Unit |
|-------------------------------|---------------------|--|------------------------------------|------|------|
|                               |                     |  | MIN.                               | MAX. |      |
| Data setup time (reception)   | $t_{\text{SU:DAT}}$ | $4.0\text{ V} \leq \text{EV}_{\text{DD0}} \leq 5.5\text{ V}$ ,<br>$2.7\text{ V} \leq \text{V}_b \leq 4.0\text{ V}$ ,<br>$C_b = 50\text{ pF}$ , $R_b = 2.7\text{ k}\Omega$  | $1/f_{\text{MCK}} + 340$<br>Note 2 |      | ns   |
|                               |                     | $2.7\text{ V} \leq \text{EV}_{\text{DD0}} < 4.0\text{ V}$ ,<br>$2.3\text{ V} \leq \text{V}_b \leq 2.7\text{ V}$ ,<br>$C_b = 50\text{ pF}$ , $R_b = 2.7\text{ k}\Omega$     | $1/f_{\text{MCK}} + 340$<br>Note 2 |      | ns   |
|                               |                     | $4.0\text{ V} \leq \text{EV}_{\text{DD0}} \leq 5.5\text{ V}$ ,<br>$2.7\text{ V} \leq \text{V}_b \leq 4.0\text{ V}$ ,<br>$C_b = 100\text{ pF}$ , $R_b = 2.8\text{ k}\Omega$ | $1/f_{\text{MCK}} + 760$<br>Note 2 |      | ns   |
|                               |                     | $2.7\text{ V} \leq \text{EV}_{\text{DD0}} < 4.0\text{ V}$ ,<br>$2.3\text{ V} \leq \text{V}_b \leq 2.7\text{ V}$ ,<br>$C_b = 100\text{ pF}$ , $R_b = 2.7\text{ k}\Omega$    | $1/f_{\text{MCK}} + 760$<br>Note 2 |      | ns   |
|                               |                     | $2.4\text{ V} \leq \text{EV}_{\text{DD0}} < 3.3\text{ V}$ ,<br>$1.6\text{ V} \leq \text{V}_b \leq 2.0\text{ V}$ ,<br>$C_b = 100\text{ pF}$ , $R_b = 5.5\text{ k}\Omega$    | $1/f_{\text{MCK}} + 570$<br>Note 2 |      | ns   |
| Data hold time (transmission) | $t_{\text{HD:DAT}}$ | $4.0\text{ V} \leq \text{EV}_{\text{DD0}} \leq 5.5\text{ V}$ ,<br>$2.7\text{ V} \leq \text{V}_b \leq 4.0\text{ V}$ ,<br>$C_b = 50\text{ pF}$ , $R_b = 2.7\text{ k}\Omega$  | 0                                  | 770  | ns   |
|                               |                     | $2.7\text{ V} \leq \text{EV}_{\text{DD0}} < 4.0\text{ V}$ ,<br>$2.3\text{ V} \leq \text{V}_b \leq 2.7\text{ V}$ ,<br>$C_b = 50\text{ pF}$ , $R_b = 2.7\text{ k}\Omega$     | 0                                  | 770  | ns   |
|                               |                     | $4.0\text{ V} \leq \text{EV}_{\text{DD0}} \leq 5.5\text{ V}$ ,<br>$2.7\text{ V} \leq \text{V}_b \leq 4.0\text{ V}$ ,<br>$C_b = 100\text{ pF}$ , $R_b = 2.8\text{ k}\Omega$ | 0                                  | 1420 | ns   |
|                               |                     | $2.7\text{ V} \leq \text{EV}_{\text{DD0}} < 4.0\text{ V}$ ,<br>$2.3\text{ V} \leq \text{V}_b \leq 2.7\text{ V}$ ,<br>$C_b = 100\text{ pF}$ , $R_b = 2.7\text{ k}\Omega$    | 0                                  | 1420 | ns   |
|                               |                     | $2.4\text{ V} \leq \text{EV}_{\text{DD0}} < 3.3\text{ V}$ ,<br>$1.6\text{ V} \leq \text{V}_b \leq 2.0\text{ V}$ ,<br>$C_b = 100\text{ pF}$ , $R_b = 5.5\text{ k}\Omega$    | 0                                  | 1215 | ns   |

**Notes 1.** The value must also be equal to or less than  $f_{\text{MCK}}/4$ .**2.** Set the  $f_{\text{MCK}}$  value to keep the hold time of SCLr = "L" and SCLr = "H".

**Caution** Select the TTL input buffer and the N-ch open drain output ( $\text{V}_{\text{DD}}$  tolerance (for the 20- to 52-pin products)/ $\text{EV}_{\text{DD}}$  tolerance (for the 64- to 100-pin products)) mode for the SDAr pin and the N-ch open drain output ( $\text{V}_{\text{DD}}$  tolerance (for the 20- to 52-pin products)/ $\text{EV}_{\text{DD}}$  tolerance (for the 64- to 100-pin products)) mode for the SCLr pin by using port input mode register g (PIMg) and port output mode register g (POMg). For  $\text{V}_{\text{IH}}$  and  $\text{V}_{\text{IL}}$ , see the DC characteristics with TTL input buffer selected.

(Remarks are listed on the next page.)

**Simplified I<sup>2</sup>C mode connection diagram (during communication at different potential)****Simplified I<sup>2</sup>C mode serial transfer timing (during communication at different potential)**

**Caution** Select the TTL input buffer and the N-ch open drain output ( $V_{DD}$  tolerance (for the 20- to 52-pin products)/ $EV_{DD}$  tolerance (for the 64- to 100-pin products)) mode for the SDAr pin and the N-ch open drain output ( $V_{DD}$  tolerance (for the 20- to 52-pin products)/ $EV_{DD}$  tolerance (for the 64- to 100-pin products)) mode for the SCLr pin by using port input mode register g (PIMg) and port output mode register g (POMg). For  $V_{IH}$  and  $V_{IL}$ , see the DC characteristics with TTL input buffer selected.

- Remarks**
- $R_b[\Omega]$ : Communication line (SDAr, SCLr) pull-up resistance,  $C_b[F]$ : Communication line (SDAr, SCLr) load capacitance,  $V_b[V]$ : Communication line voltage
  - r: IIC number (r = 00, 01, 10, 20, 30, 31), g: PIM, POM number (g = 0, 1, 4, 5, 8, 14)
  - $f_{MCK}$ : Serial array unit operation clock frequency  
(Operation clock to be set by the CKSmn bit of serial mode register mn (SMRmn). m: Unit number, n: Channel number (mn = 00, 01, 02, 10, 12, 13))

3.5.2 Serial interface IICA

( $T_A = -40$  to  $+105^\circ\text{C}$ ,  $2.4\text{ V} \leq \text{EV}_{\text{DD0}} = \text{EV}_{\text{DD1}} \leq \text{V}_{\text{DD}} \leq 5.5\text{ V}$ ,  $\text{V}_{\text{SS}} = \text{EV}_{\text{SS0}} = \text{EV}_{\text{SS1}} = 0\text{ V}$ )

| Parameter                                       | Symbol              | Conditions                              | HS (high-speed main) Mode |      |           |      | Unit |
|---|---------------------|---|---------------------------|------|-----------|------|------|
|   |                     |   | Standard Mode             |      | Fast Mode |      |      |
|   |                     |   | MIN.                      | MAX. | MIN.      | MAX. |      |
| SCLA0 clock frequency                           | f <sub>SCL</sub>    | Fast mode: f <sub>CLK</sub> ≥ 3.5 MHz   | –                         | –    | 0         | 400  | kHz  |
|   |                     | Standard mode: f <sub>CLK</sub> ≥ 1 MHz | 0                         | 100  | –         | –    | kHz  |
| Setup time of restart condition                 | t <sub>SU:STA</sub> |   | 4.7                       |      | 0.6       |      | μs   |
| Hold time <sup>Note 1</sup>                     | t <sub>HD:STA</sub> |   | 4.0                       |      | 0.6       |      | μs   |
| Hold time when SCLA0 = "L"                      | t <sub>LOW</sub>    |   | 4.7                       |      | 1.3       |      | μs   |
| Hold time when SCLA0 = "H"                      | t <sub>HIGH</sub>   |   | 4.0                       |      | 0.6       |      | μs   |
| Data setup time (reception)                     | t <sub>SU:DAT</sub> |   | 250                       |      | 100       |      | ns   |
| Data hold time (transmission) <sup>Note 2</sup> | t <sub>HD:DAT</sub> |   | 0                         | 3.45 | 0         | 0.9  | μs   |
| Setup time of stop condition                    | t <sub>SU:STO</sub> |   | 4.0                       |      | 0.6       |      | μs   |
| Bus-free time                                   | t <sub>BUF</sub>    |   | 4.7                       |      | 1.3       |      | μs   |

- Notes**
- The first clock pulse is generated after this period when the start/restart condition is detected.
  - The maximum value (MAX.) of t<sub>HD:DAT</sub> is during normal transfer and a wait state is inserted in the ACK (acknowledge) timing.

**Caution** The values in the above table are applied even when bit 2 (PIOR2) in the peripheral I/O redirection register (PIOR) is 1. At this time, the pin characteristics (I<sub>OH1</sub>, I<sub>OL1</sub>, V<sub>OH1</sub>, V<sub>OL1</sub>) must satisfy the values in the redirect destination.

**Remark** The maximum value of C<sub>b</sub> (communication line capacitance) and the value of R<sub>b</sub> (communication line pull-up resistor) at that time in each mode are as follows.

Standard mode: C<sub>b</sub> = 400 pF, R<sub>b</sub> = 2.7 kΩ  
 Fast mode: C<sub>b</sub> = 320 pF, R<sub>b</sub> = 1.1 kΩ

IICA serial transfer timing



**Remark** n = 0, 1

### 3.6 Analog Characteristics

#### 3.6.1 A/D converter characteristics

Classification of A/D converter characteristics

| Input channel  | Reference Voltage  |  |  |
|--|--|--|--|
|  | Reference voltage (+) = $AV_{REFP}$<br>Reference voltage (-) = $AV_{REFM}$ | Reference voltage (+) = $V_{DD}$<br>Reference voltage (-) = $V_{SS}$ | Reference voltage (+) = $V_{BGR}$<br>Reference voltage (-) = $AV_{REFM}$ |
| ANI0 to ANI14  | Refer to <b>3.6.1 (1)</b> .  | Refer to <b>3.6.1 (3)</b> .  | Refer to <b>3.6.1 (4)</b> .  |
| ANI16 to ANI26   |  |  |  |
| Internal reference voltage<br>Temperature sensor output<br>voltage | Refer to <b>3.6.1 (1)</b> .  |  | –  |

(1) When reference voltage (+) =  $AV_{REFP}/ANI0$  ( $ADREFP1 = 0$ ,  $ADREFP0 = 1$ ), reference voltage (-) =  $AV_{REFM}/ANI1$  ( $ADREFM = 1$ ), target pin : ANI2 to ANI14, internal reference voltage, and temperature sensor output voltage

( $T_A = -40$  to  $+105^\circ\text{C}$ ,  $2.4\text{ V} \leq AV_{REFP} \leq V_{DD} \leq 5.5\text{ V}$ ,  $V_{SS} = 0\text{ V}$ , Reference voltage (+) =  $AV_{REFP}$ , Reference voltage (-) =  $AV_{REFM} = 0\text{ V}$ )

| Parameter   | Symbol          | Conditions  |   | MIN.   | TYP. | MAX.                           | Unit          |
|---|-----------------|---|---|--------|------|--------------------------------|---------------|
| Resolution  | RES             |   |   | 8      |      | 10                             | bit           |
| Overall error <sup>Note 1</sup>                   | AINL            | 10-bit resolution<br>$AV_{REFP} = V_{DD}$ <sup>Note 3</sup>   | $2.4\text{ V} \leq AV_{REFP} \leq 5.5\text{ V}$ |        | 1.2  | $\pm 3.5$                      | LSB           |
| Conversion time                                   | $t_{CONV}$      | 10-bit resolution<br>Target pin: ANI2 to ANI14  | $3.6\text{ V} \leq V_{DD} \leq 5.5\text{ V}$    | 2.125  |      | 39                             | $\mu\text{s}$ |
|   |                 |   | $2.7\text{ V} \leq V_{DD} \leq 5.5\text{ V}$    | 3.1875 |      | 39                             | $\mu\text{s}$ |
|   |                 |   | $2.4\text{ V} \leq V_{DD} \leq 5.5\text{ V}$    | 17     |      | 39                             | $\mu\text{s}$ |
|   |                 | 10-bit resolution<br>Target pin: Internal reference<br>voltage, and temperature<br>sensor output voltage (HS<br>(high-speed main) mode) | $3.6\text{ V} \leq V_{DD} \leq 5.5\text{ V}$    | 2.375  |      | 39                             | $\mu\text{s}$ |
|   |                 |   | $2.7\text{ V} \leq V_{DD} \leq 5.5\text{ V}$    | 3.5625 |      | 39                             | $\mu\text{s}$ |
|   |                 |   | $2.4\text{ V} \leq V_{DD} \leq 5.5\text{ V}$    | 17     |      | 39                             | $\mu\text{s}$ |
| Zero-scale error <sup>Notes 1, 2</sup>            | E <sub>ZS</sub> | 10-bit resolution<br>$AV_{REFP} = V_{DD}$ <sup>Note 3</sup>   | $2.4\text{ V} \leq AV_{REFP} \leq 5.5\text{ V}$ |        |      | $\pm 0.25$                     | %FSR          |
| Full-scale error <sup>Notes 1, 2</sup>            | E <sub>FS</sub> | 10-bit resolution<br>$AV_{REFP} = V_{DD}$ <sup>Note 3</sup>   | $2.4\text{ V} \leq AV_{REFP} \leq 5.5\text{ V}$ |        |      | $\pm 0.25$                     | %FSR          |
| Integral linearity error<br><sup>Note 1</sup>     | I <sub>LE</sub> | 10-bit resolution<br>$AV_{REFP} = V_{DD}$ <sup>Note 3</sup>   | $2.4\text{ V} \leq AV_{REFP} \leq 5.5\text{ V}$ |        |      | $\pm 2.5$                      | LSB           |
| Differential linearity error<br><sup>Note 1</sup> | D <sub>LE</sub> | 10-bit resolution<br>$AV_{REFP} = V_{DD}$ <sup>Note 3</sup>   | $2.4\text{ V} \leq AV_{REFP} \leq 5.5\text{ V}$ |        |      | $\pm 1.5$                      | LSB           |
| Analog input voltage                              | $V_{AIN}$       | ANI2 to ANI14   |   | 0      |      | $AV_{REFP}$                    | V             |
|   |                 | Internal reference voltage output<br>( $2.4\text{ V} \leq V_{DD} \leq 5.5\text{ V}$ , HS (high-speed main) mode)                        |   |        |      | $V_{BGR}$ <sup>Note 4</sup>    | V             |
|   |                 | Temperature sensor output voltage<br>( $2.4\text{ V} \leq V_{DD} \leq 5.5\text{ V}$ , HS (high-speed main) mode)                        |   |        |      | $V_{TMPS25}$ <sup>Note 4</sup> | V             |

(Notes are listed on the next page.)

- Notes**
1. Excludes quantization error ( $\pm 1/2$  LSB).
  2. This value is indicated as a ratio (%FSR) to the full-scale value.
  3. When  $AV_{REFP} < V_{DD}$ , the MAX. values are as follows.  
Overall error: Add  $\pm 1.0$  LSB to the MAX. value when  $AV_{REFP} = V_{DD}$ .  
Zero-scale error/Full-scale error: Add  $\pm 0.05\%$ FSR to the MAX. value when  $AV_{REFP} = V_{DD}$ .  
Integral linearity error/ Differential linearity error: Add  $\pm 0.5$  LSB to the MAX. value when  $AV_{REFP} = V_{DD}$ .
  4. Refer to **3.6.2 Temperature sensor/internal reference voltage characteristics**.

(2) When reference voltage (+) =  $AV_{REFP}/ANI0$  ( $ADREFP1 = 0$ ,  $ADREFP0 = 1$ ), reference voltage (-) =  $AV_{REFM}/ANI1$  ( $ADREFM = 1$ ), target pin : ANI16 to ANI26

( $T_A = -40$  to  $+105^\circ\text{C}$ ,  $2.4\text{ V} \leq EV_{DD0} = EV_{DD1} \leq V_{DD} \leq 5.5\text{ V}$ ,  $2.4\text{ V} \leq AV_{REFP} \leq V_{DD} \leq 5.5\text{ V}$ ,  $V_{SS} = EV_{SS0} = EV_{SS1} = 0\text{ V}$ , Reference voltage (+) =  $AV_{REFP}$ , Reference voltage (-) =  $AV_{REFM} = 0\text{ V}$ )

| Parameter                                      | Symbol          | Conditions   | MIN.  | TYP.   | MAX.                          | Unit          |
|--|-----------------|--|---|--------|-------------------------------|---------------|
| Resolution                                     | RES             |  | 8   |        | 10                            | bit           |
| Overall error <sup>Note 1</sup>                | AINL            | 10-bit resolution<br>$EV_{DD0} \leq AV_{REFP} = V_{DD}$ Notes 3, 4 | $2.4\text{ V} \leq AV_{REFP} \leq 5.5\text{ V}$ | 1.2    | $\pm 5.0$                     | LSB           |
| Conversion time                                | $t_{CONV}$      | 10-bit resolution<br>Target pin : ANI16 to ANI26                   | $3.6\text{ V} \leq V_{DD} \leq 5.5\text{ V}$    | 2.125  | 39                            | $\mu\text{s}$ |
|  |                 |  | $2.7\text{ V} \leq V_{DD} \leq 5.5\text{ V}$    | 3.1875 | 39                            | $\mu\text{s}$ |
|  |                 |  | $2.4\text{ V} \leq V_{DD} \leq 5.5\text{ V}$    | 17     | 39                            | $\mu\text{s}$ |
| Zero-scale error <sup>Notes 1, 2</sup>         | E <sub>ZS</sub> | 10-bit resolution<br>$EV_{DD0} \leq AV_{REFP} = V_{DD}$ Notes 3, 4 | $2.4\text{ V} \leq AV_{REFP} \leq 5.5\text{ V}$ |        | $\pm 0.35$                    | %FSR          |
| Full-scale error <sup>Notes 1, 2</sup>         | E <sub>FS</sub> | 10-bit resolution<br>$EV_{DD0} \leq AV_{REFP} = V_{DD}$ Notes 3, 4 | $2.4\text{ V} \leq AV_{REFP} \leq 5.5\text{ V}$ |        | $\pm 0.35$                    | %FSR          |
| Integral linearity error <sup>Note 1</sup>     | ILE             | 10-bit resolution<br>$EV_{DD0} \leq AV_{REFP} = V_{DD}$ Notes 3, 4 | $2.4\text{ V} \leq AV_{REFP} \leq 5.5\text{ V}$ |        | $\pm 3.5$                     | LSB           |
| Differential linearity error <sup>Note 1</sup> | DLE             | 10-bit resolution<br>$EV_{DD0} \leq AV_{REFP} = V_{DD}$ Notes 3, 4 | $2.4\text{ V} \leq AV_{REFP} \leq 5.5\text{ V}$ |        | $\pm 2.0$                     | LSB           |
| Analog input voltage                           | $V_{AIN}$       | ANI16 to ANI26   | 0   |        | $AV_{REFP}$<br>and $EV_{DD0}$ | V             |

**Notes** 1. Excludes quantization error ( $\pm 1/2$  LSB).

2. This value is indicated as a ratio (%FSR) to the full-scale value.

3. When  $AV_{REFP} < V_{DD}$ , the MAX. values are as follows.

Overall error: Add  $\pm 1.0$  LSB to the MAX. value when  $AV_{REFP} = V_{DD}$ .

Zero-scale error/Full-scale error: Add  $\pm 0.05\%$ FSR to the MAX. value when  $AV_{REFP} = V_{DD}$ .

Integral linearity error/ Differential linearity error: Add  $\pm 0.5$  LSB to the MAX. value when  $AV_{REFP} = V_{DD}$ .

4. When  $AV_{REFP} < EV_{DD0} \leq V_{DD}$ , the MAX. values are as follows.

Overall error: Add  $\pm 4.0$  LSB to the MAX. value when  $AV_{REFP} = V_{DD}$ .

Zero-scale error/Full-scale error: Add  $\pm 0.20\%$ FSR to the MAX. value when  $AV_{REFP} = V_{DD}$ .

Integral linearity error/ Differential linearity error: Add  $\pm 2.0$  LSB to the MAX. value when  $AV_{REFP} = V_{DD}$ .

(3) When reference voltage (+) =  $V_{DD}$  (ADREFP1 = 0, ADREFP0 = 0), reference voltage (-) =  $V_{SS}$  (ADREFM = 0), target pin : ANI0 to ANI14, ANI16 to ANI26, internal reference voltage, and temperature sensor output voltage

( $T_A = -40$  to  $+105^\circ\text{C}$ ,  $2.4\text{ V} \leq EV_{DD0} = EV_{DD1} \leq V_{DD} \leq 5.5\text{ V}$ ,  $V_{SS} = EV_{SS0} = EV_{SS1} = 0\text{ V}$ , Reference voltage (+) =  $V_{DD}$ , Reference voltage (-) =  $V_{SS}$ )

| Parameter                                      | Symbol     | Conditions  |  | MIN.                           | TYP. | MAX.       | Unit          |   |
|--|------------|---|--|--------------------------------|------|------------|---------------|---|
| Resolution                                     | RES        |   |  | 8                              |      | 10         | bit           |   |
| Overall error <sup>Note 1</sup>                | AINL       | 10-bit resolution   | $2.4\text{ V} \leq V_{DD} \leq 5.5\text{ V}$ |                                | 1.2  | $\pm 7.0$  | LSB           |   |
| Conversion time                                | $t_{CONV}$ | 10-bit resolution<br>Target pin: ANI0 to ANI14,<br>ANI16 to ANI26   | $3.6\text{ V} \leq V_{DD} \leq 5.5\text{ V}$ | 2.125                          |      | 39         | $\mu\text{s}$ |   |
|  |            |   | $2.7\text{ V} \leq V_{DD} \leq 5.5\text{ V}$ | 3.1875                         |      | 39         | $\mu\text{s}$ |   |
|  |            |   | $2.4\text{ V} \leq V_{DD} \leq 5.5\text{ V}$ | 17                             |      | 39         | $\mu\text{s}$ |   |
|  |            | 10-bit resolution<br>Target pin: Internal reference<br>voltage, and temperature<br>sensor output voltage (HS<br>(high-speed main) mode) | $3.6\text{ V} \leq V_{DD} \leq 5.5\text{ V}$ | 2.375                          |      | 39         | $\mu\text{s}$ |   |
|  |            |   | $2.7\text{ V} \leq V_{DD} \leq 5.5\text{ V}$ | 3.5625                         |      | 39         | $\mu\text{s}$ |   |
|  |            |   | $2.4\text{ V} \leq V_{DD} \leq 5.5\text{ V}$ | 17                             |      | 39         | $\mu\text{s}$ |   |
| Zero-scale error <sup>Notes 1, 2</sup>         | $E_{ZS}$   | 10-bit resolution   | $2.4\text{ V} \leq V_{DD} \leq 5.5\text{ V}$ |                                |      | $\pm 0.60$ | %FSR          |   |
| Full-scale error <sup>Notes 1, 2</sup>         | $E_{FS}$   | 10-bit resolution   | $2.4\text{ V} \leq V_{DD} \leq 5.5\text{ V}$ |                                |      | $\pm 0.60$ | %FSR          |   |
| Integral linearity error <sup>Note 1</sup>     | ILE        | 10-bit resolution   | $2.4\text{ V} \leq V_{DD} \leq 5.5\text{ V}$ |                                |      | $\pm 4.0$  | LSB           |   |
| Differential linearity error <sup>Note 1</sup> | DLE        | 10-bit resolution   | $2.4\text{ V} \leq V_{DD} \leq 5.5\text{ V}$ |                                |      | $\pm 2.0$  | LSB           |   |
| Analog input voltage                           | $V_{AIN}$  | ANI0 to ANI14   |  | 0                              |      | $V_{DD}$   | V             |   |
|  |            | ANI16 to ANI26  |  | 0                              |      | $EV_{DD0}$ | V             |   |
|  |            | Internal reference voltage output<br>( $2.4\text{ V} \leq V_{DD} \leq 5.5\text{ V}$ , HS (high-speed main) mode)                        |  | $V_{BGR}$ <sup>Note 3</sup>    |      |            |               | V |
|  |            | Temperature sensor output voltage<br>( $2.4\text{ V} \leq V_{DD} \leq 5.5\text{ V}$ , HS (high-speed main) mode)                        |  | $V_{TMPS25}$ <sup>Note 3</sup> |      |            |               | V |

**Notes** 1. Excludes quantization error ( $\pm 1/2$  LSB).

2. This value is indicated as a ratio (%FSR) to the full-scale value.

3. Refer to **3.6.2 Temperature sensor/internal reference voltage characteristics**.

(4) When reference voltage (+) = Internal reference voltage (ADREFP1 = 1, ADREFP0 = 0), reference voltage (-) =  $AV_{REFM}/ANI1$  (ADREFM = 1), target pin : ANI0, ANI2 to ANI14, ANI16 to ANI26

( $T_A = -40$  to  $+105^\circ\text{C}$ ,  $2.4\text{ V} \leq EV_{DD0} = EV_{DD1} \leq V_{DD} \leq 5.5\text{ V}$ ,  $V_{SS} = EV_{SS0} = EV_{SS1} = 0\text{ V}$ , Reference voltage (+) =  $V_{BGR}$  <sup>Note 3</sup>, Reference voltage (-) =  $AV_{REFM}$  <sup>Note 4</sup> = 0 V, HS (high-speed main) mode)

| Parameter                                      | Symbol     | Conditions       |  | MIN. | TYP. | MAX.                        | Unit          |
|--|------------|------------------|--|------|------|-----------------------------|---------------|
| Resolution                                     | RES        |                  |  | 8    |      |                             | bit           |
| Conversion time                                | $t_{CONV}$ | 8-bit resolution | $2.4\text{ V} \leq V_{DD} \leq 5.5\text{ V}$ | 17   |      | 39                          | $\mu\text{s}$ |
| Zero-scale error <sup>Notes 1, 2</sup>         | $E_{ZS}$   | 8-bit resolution | $2.4\text{ V} \leq V_{DD} \leq 5.5\text{ V}$ |      |      | $\pm 0.60$                  | %FSR          |
| Integral linearity error <sup>Note 1</sup>     | ILE        | 8-bit resolution | $2.4\text{ V} \leq V_{DD} \leq 5.5\text{ V}$ |      |      | $\pm 2.0$                   | LSB           |
| Differential linearity error <sup>Note 1</sup> | DLE        | 8-bit resolution | $2.4\text{ V} \leq V_{DD} \leq 5.5\text{ V}$ |      |      | $\pm 1.0$                   | LSB           |
| Analog input voltage                           | $V_{AIN}$  |                  |  | 0    |      | $V_{BGR}$ <sup>Note 3</sup> | V             |

**Notes** 1. Excludes quantization error ( $\pm 1/2$  LSB).

2. This value is indicated as a ratio (%FSR) to the full-scale value.

3. Refer to **3.6.2 Temperature sensor/internal reference voltage characteristics**.

4. When reference voltage (-) =  $V_{SS}$ , the MAX. values are as follows.

Zero-scale error: Add  $\pm 0.35\%$ FSR to the MAX. value when reference voltage (-) =  $AV_{REFM}$ .

Integral linearity error: Add  $\pm 0.5$  LSB to the MAX. value when reference voltage (-) =  $AV_{REFM}$ .

Differential linearity error: Add  $\pm 0.2$  LSB to the MAX. value when reference voltage (-) =  $AV_{REFM}$ .



### 3.6.2 Temperature sensor/internal reference voltage characteristics

( $T_A = -40$  to  $+105^\circ\text{C}$ ,  $2.4\text{ V} \leq V_{DD} \leq 5.5\text{ V}$ ,  $V_{SS} = 0\text{ V}$ , HS (high-speed main) mode)

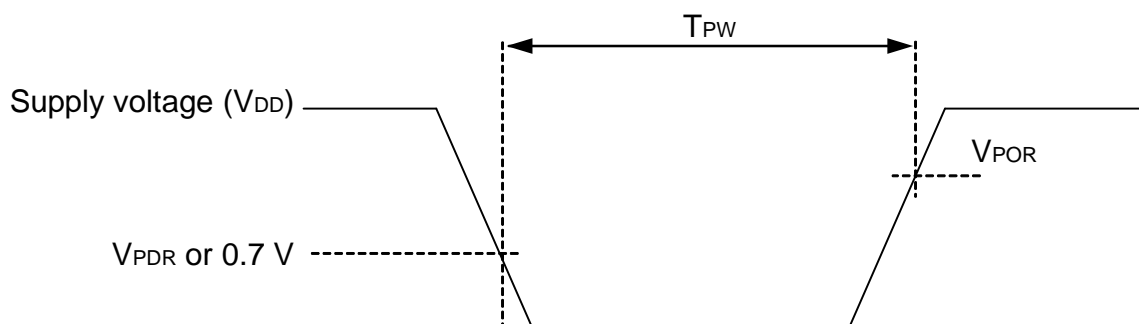
| Parameter                         | Symbol      | Conditions  | MIN. | TYP. | MAX. | Unit                 |
|-----------------------------------|-------------|---|------|------|------|----------------------|
| Temperature sensor output voltage | $V_{TMS25}$ | Setting ADS register = 80H, $T_A = +25^\circ\text{C}$ |      | 1.05 |      | V                    |
| Internal reference voltage        | $V_{BGR}$   | Setting ADS register = 81H                            | 1.38 | 1.45 | 1.5  | V                    |
| Temperature coefficient           | $F_{VTMS}$  | Temperature sensor that depends on the temperature    |      | -3.6 |      | mV/ $^\circ\text{C}$ |
| Operation stabilization wait time | $t_{AMP}$   |   | 5    |      |      | $\mu\text{s}$        |

### 3.6.3 POR circuit characteristics

( $T_A = -40$  to  $+105^\circ\text{C}$ ,  $V_{SS} = 0\text{ V}$ )

| Parameter                           | Symbol    | Conditions             | MIN. | TYP. | MAX. | Unit          |
|-------------------------------------|-----------|------------------------|------|------|------|---------------|
| Detection voltage                   | $V_{POR}$ | Power supply rise time | 1.45 | 1.51 | 1.57 | V             |
|                                     | $V_{PDR}$ | Power supply fall time | 1.44 | 1.50 | 1.56 | V             |
| Minimum pulse width <sup>Note</sup> | $T_{PW}$  |                        | 300  |      |      | $\mu\text{s}$ |

**Note** Minimum time required for a POR reset when  $V_{DD}$  exceeds below  $V_{PDR}$ . This is also the minimum time required for a POR reset from when  $V_{DD}$  exceeds below 0.7 V to when  $V_{DD}$  exceeds  $V_{POR}$  while STOP mode is entered or the main system clock is stopped through setting bit 0 (HIOSTOP) and bit 7 (MSTOP) in the clock operation status control register (CSC).



## 3.6.4 LVD circuit characteristics

## LVD Detection Voltage of Reset Mode and Interrupt Mode

 $(T_A = -40$  to  $+105^\circ\text{C}$ ,  $V_{PDR} \leq V_{DD} \leq 5.5$  V,  $V_{SS} = 0$  V)

| Parameter         | Symbol               | Conditions             | MIN.                   | TYP. | MAX. | Unit |               |
|-------------------|----------------------|------------------------|------------------------|------|------|------|---------------|
| Detection voltage | Supply voltage level | $V_{LVD0}$             | Power supply rise time | 3.90 | 4.06 | 4.22 | V             |
|                   |                      |                        | Power supply fall time | 3.83 | 3.98 | 4.13 | V             |
|                   | $V_{LVD1}$           | Power supply rise time | 3.60                   | 3.75 | 3.90 | V    |               |
|                   |                      | Power supply fall time | 3.53                   | 3.67 | 3.81 | V    |               |
|                   | $V_{LVD2}$           | Power supply rise time | 3.01                   | 3.13 | 3.25 | V    |               |
|                   |                      | Power supply fall time | 2.94                   | 3.06 | 3.18 | V    |               |
|                   | $V_{LVD3}$           | Power supply rise time | 2.90                   | 3.02 | 3.14 | V    |               |
|                   |                      | Power supply fall time | 2.85                   | 2.96 | 3.07 | V    |               |
|                   | $V_{LVD4}$           | Power supply rise time | 2.81                   | 2.92 | 3.03 | V    |               |
|                   |                      | Power supply fall time | 2.75                   | 2.86 | 2.97 | V    |               |
|                   | $V_{LVD5}$           | Power supply rise time | 2.70                   | 2.81 | 2.92 | V    |               |
|                   |                      | Power supply fall time | 2.64                   | 2.75 | 2.86 | V    |               |
|                   | $V_{LVD6}$           | Power supply rise time | 2.61                   | 2.71 | 2.81 | V    |               |
|                   |                      | Power supply fall time | 2.55                   | 2.65 | 2.75 | V    |               |
|                   | $V_{LVD7}$           | Power supply rise time | 2.51                   | 2.61 | 2.71 | V    |               |
|                   |                      | Power supply fall time | 2.45                   | 2.55 | 2.65 | V    |               |
|                   | Minimum pulse width  | $t_{LW}$               |                        | 300  |      |      | $\mu\text{s}$ |
|                   | Detection delay time |                        |                        |      |      | 300  | $\mu\text{s}$ |

## LVD Detection Voltage of Interrupt &amp; Reset Mode

 $(T_A = -40$  to  $+105^\circ\text{C}$ ,  $V_{PDR} \leq V_{DD} \leq 5.5$  V,  $V_{SS} = 0$  V)

| Parameter                | Symbol      | Conditions   | MIN.                | TYP.                         | MAX. | Unit |      |   |
|--------------------------|-------------|--|---------------------|------------------------------|------|------|------|---|
| Interrupt and reset mode | $V_{LVDD0}$ | $V_{POC2}, V_{POC1}, V_{POC0} = 0, 1, 1$ , falling reset voltage |                     | 2.64                         | 2.75 | 2.86 | V    |   |
|                          | $V_{LVDD1}$ |  | LVIS1, LVIS0 = 1, 0 | Rising release reset voltage | 2.81 | 2.92 | 3.03 | V |
|                          |             |  |                     | Falling interrupt voltage    | 2.75 | 2.86 | 2.97 | V |
|                          | $V_{LVDD2}$ |  | LVIS1, LVIS0 = 0, 1 | Rising release reset voltage | 2.90 | 3.02 | 3.14 | V |
|                          |             |  |                     | Falling interrupt voltage    | 2.85 | 2.96 | 3.07 | V |
|                          | $V_{LVDD3}$ |  | LVIS1, LVIS0 = 0, 0 | Rising release reset voltage | 3.90 | 4.06 | 4.22 | V |
|                          |             |  |                     | Falling interrupt voltage    | 3.83 | 3.98 | 4.13 | V |

## 3.6.5 Power supply voltage rising slope characteristics

 $(T_A = -40$  to  $+105^\circ\text{C}$ ,  $V_{SS} = 0$  V)

| Parameter                         | Symbol    | Conditions | MIN. | TYP. | MAX. | Unit |
|-----------------------------------|-----------|------------|------|------|------|------|
| Power supply voltage rising slope | $S_{VDD}$ |            |      |      | 54   | V/ms |

**Caution** Make sure to keep the internal reset state by the LVD circuit or an external reset until  $V_{DD}$  reaches the operating voltage range shown in 3.4 AC Characteristics.

### 3.7 RAM Data Retention Characteristics

( $T_A = -40$  to  $+105^\circ\text{C}$ ,  $V_{SS} = 0$  V)

| Parameter                     | Symbol     | Conditions | MIN.                 | TYP. | MAX. | Unit |
|-------------------------------|------------|------------|----------------------|------|------|------|
| Data retention supply voltage | $V_{DDDR}$ |            | 1.44 <sup>Note</sup> |      | 5.5  | V    |

**Note** This depends on the POR detection voltage. For a falling voltage, data in RAM are retained until the voltage reaches the level that triggers a POR reset but not once it reaches the level at which a POR reset is generated.



### 3.8 Flash Memory Programming Characteristics

( $T_A = -40$  to  $+105^\circ\text{C}$ ,  $2.4$  V  $\leq V_{DD} \leq 5.5$  V,  $V_{SS} = 0$  V)

| Parameter   | Symbol     | Conditions  | MIN.    | TYP.      | MAX. | Unit  |
|---|------------|---|---------|-----------|------|-------|
| CPU/peripheral hardware clock frequency                       | $f_{CLK}$  | $2.4$ V $\leq V_{DD} \leq 5.5$ V                                    | 1       |           | 32   | MHz   |
| Number of code flash rewrites<br><small>Notes 1, 2, 3</small> | $C_{erwr}$ | Retained for 20 years<br>$T_A = 85^\circ\text{C}$ <sup>Note 4</sup> | 1,000   |           |      | Times |
| Number of data flash rewrites<br><small>Notes 1, 2, 3</small> |            | Retained for 1 years<br>$T_A = 25^\circ\text{C}$                    |         | 1,000,000 |      |       |
|   |            | Retained for 5 years<br>$T_A = 85^\circ\text{C}$ <sup>Note 4</sup>  | 100,000 |           |      |       |
|   |            | Retained for 20 years<br>$T_A = 85^\circ\text{C}$ <sup>Note 4</sup> | 10,000  |           |      |       |

- Notes**
- 1 erase + 1 write after the erase is regarded as 1 rewrite. The retaining years are until next rewrite after the rewrite.
  2. When using flash memory programmer and Renesas Electronics self programming library.
  3. These are the characteristics of the flash memory and the results obtained from reliability testing by Renesas Electronics Corporation.
  4. This temperature is the average value at which data are retained.

### 3.9 Dedicated Flash Memory Programmer Communication (UART)

( $T_A = -40$  to  $+105^\circ\text{C}$ ,  $2.4\text{ V} \leq \text{EV}_{\text{DD}0} = \text{EV}_{\text{DD}1} \leq \text{V}_{\text{DD}} \leq 5.5\text{ V}$ ,  $\text{V}_{\text{SS}} = \text{EV}_{\text{SS}0} = \text{EV}_{\text{SS}1} = 0\text{ V}$ )

| Parameter     | Symbol | Conditions                | MIN.    | TYP. | MAX.      | Unit |
|---------------|--------|---------------------------|---------|------|-----------|------|
| Transfer rate |        | During serial programming | 115,200 |      | 1,000,000 | bps  |

### 3.10 Timing of Entry to Flash Memory Programming Modes

( $T_A = -40$  to  $+105^\circ\text{C}$ ,  $2.4\text{ V} \leq \text{EV}_{\text{DD}0} = \text{EV}_{\text{DD}1} \leq \text{V}_{\text{DD}} \leq 5.5\text{ V}$ ,  $\text{V}_{\text{SS}} = \text{EV}_{\text{SS}0} = \text{EV}_{\text{SS}1} = 0\text{ V}$ )

| Parameter  | Symbol             | Conditions  | MIN. | TYP. | MAX. | Unit          |
|--|--------------------|---|------|------|------|---------------|
| Time to complete the communication for the initial setting after the external reset is released  | $t_{\text{SUNIT}}$ | POR and LVD reset must be released before the external reset is released. |      |      | 100  | ms            |
| Time to release the external reset after the TOOL0 pin is set to the low level   | $t_{\text{SU}}$    | POR and LVD reset must be released before the external reset is released. | 10   |      |      | $\mu\text{s}$ |
| Time to hold the TOOL0 pin at the low level after the external reset is released (excluding the processing time of the firmware to control the flash memory) | $t_{\text{HD}}$    | POR and LVD reset must be released before the external reset is released. | 1    |      |      | ms            |



- <1> The low level is input to the TOOL0 pin.
- <2> The external reset is released (POR and LVD reset must be released before the external reset is released.).
- <3> The TOOL0 pin is set to the high level.
- <4> Setting of the flash memory programming mode by UART reception and complete the baud rate setting.

**Remark**  $t_{\text{SUNIT}}$ : Communication for the initial setting must be completed within 100 ms after the external reset is released during this period.

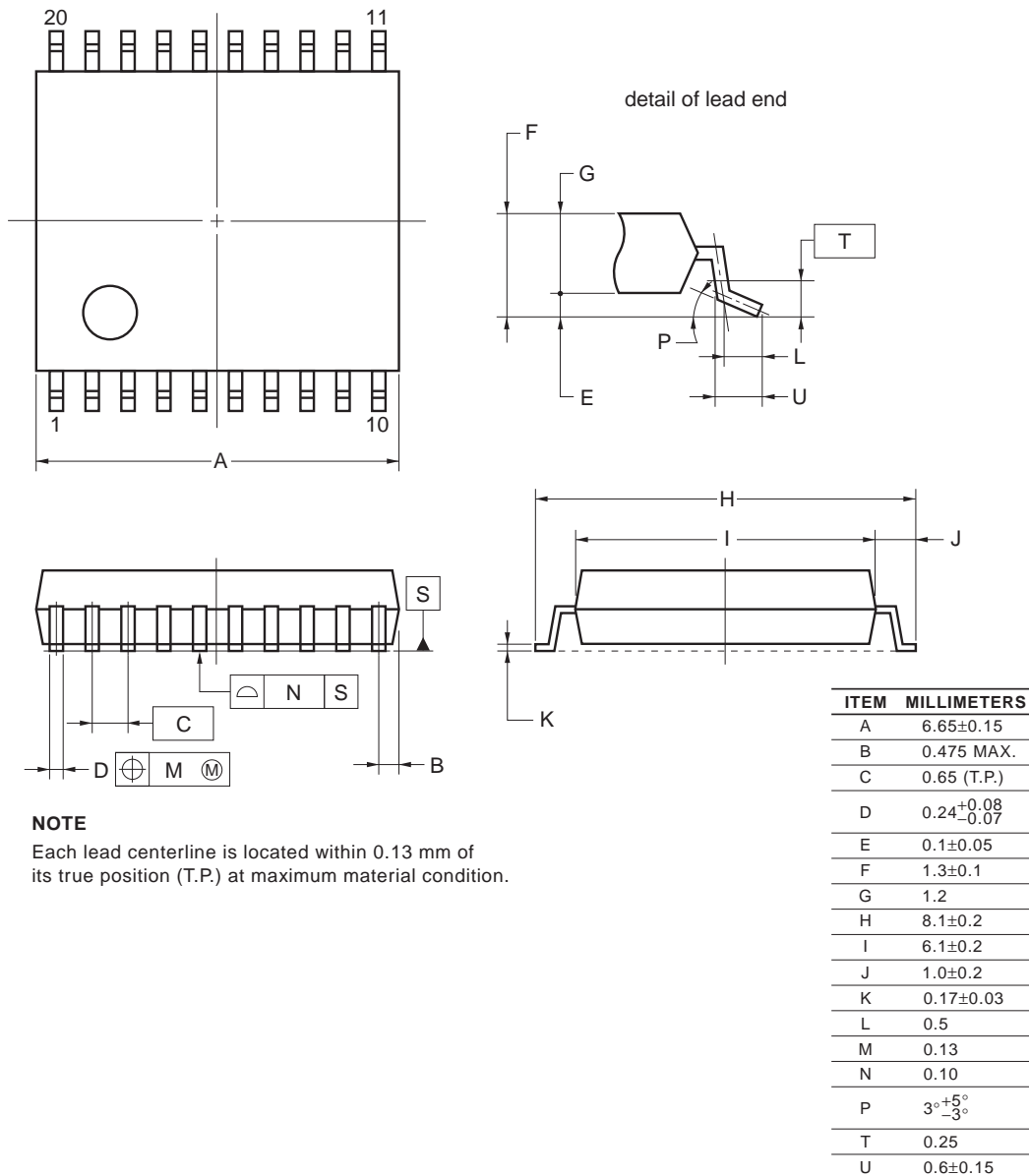
$t_{\text{SU}}$ : Time to release the external reset after the TOOL0 pin is set to the low level

$t_{\text{HD}}$ : Time to hold the TOOL0 pin at the low level after the external reset is released (excluding the processing time of the firmware to control the flash memory)

### 4. PACKAGE DRAWINGS

#### <R> 4.1 20-pin Package

|                     |              |                |                 |
|---------------------|--------------|----------------|-----------------|
| JEITA Package Code  | RENESAS Code | Previous Code  | MASS (TYP.) [g] |
| P-LSSOP20-0300-0.65 | PLSP0020JC-A | S20MC-65-5A4-3 | 0.12            |



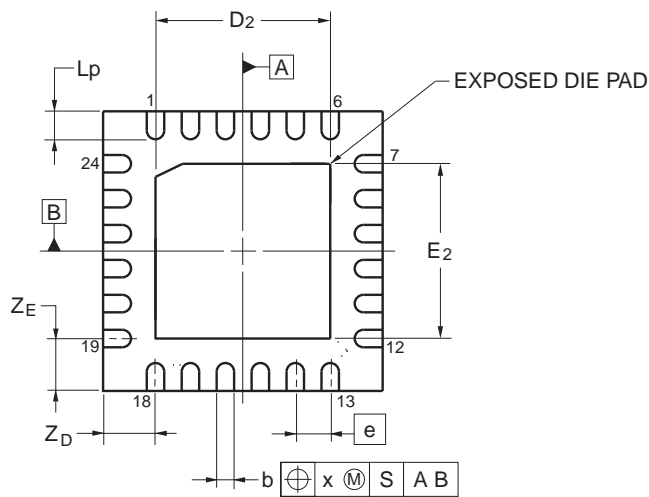
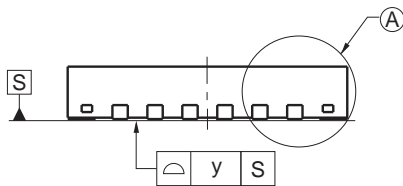
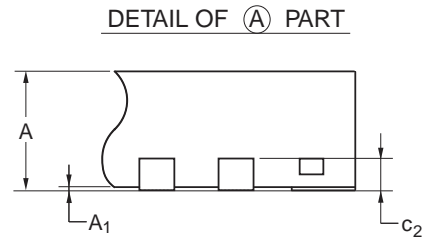
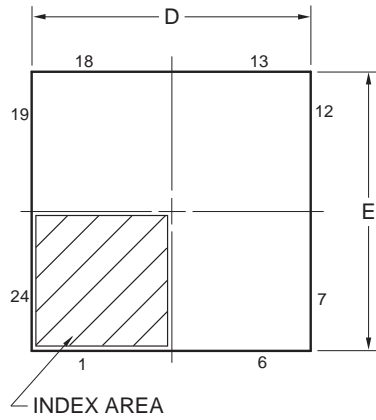
**NOTE**

Each lead centerline is located within 0.13 mm of its true position (T.P.) at maximum material condition.

©2012 Renesas Electronics Corporation. All rights reserved.

<R> 4.2 24-pin Package

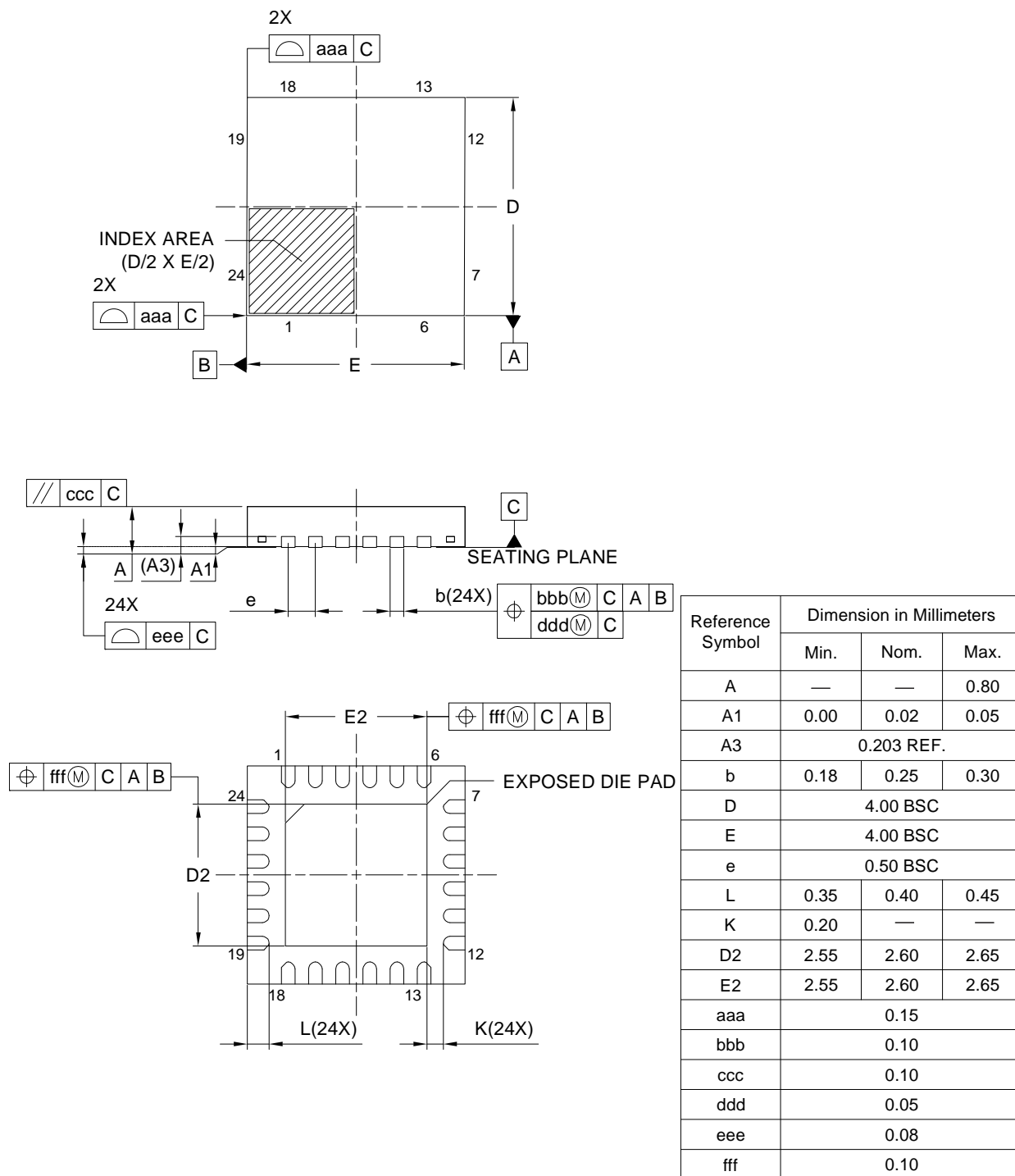
| JEITA Package code | RENESAS code | Previous code  | MASS(TYP.)[g] |
|--------------------|--------------|----------------|---------------|
| P-HWQFN24-4x4-0.50 | PWQN0024KE-A | P24K8-50-CAB-3 | 0.04          |



| Reference Symbol | Dimension in Millimeters |      |      |
|------------------|--------------------------|------|------|
|                  | Min                      | Nom  | Max  |
| D                | 3.95                     | 4.00 | 4.05 |
| E                | 3.95                     | 4.00 | 4.05 |
| A                | —                        | —    | 0.80 |
| A <sub>1</sub>   | 0.00                     | —    | —    |
| b                | 0.18                     | 0.25 | 0.30 |
| e                | —                        | 0.50 | —    |
| L <sub>p</sub>   | 0.30                     | 0.40 | 0.50 |
| x                | —                        | —    | 0.05 |
| y                | —                        | —    | 0.05 |
| Z <sub>D</sub>   | —                        | 0.75 | —    |
| Z <sub>E</sub>   | —                        | 0.75 | —    |
| c <sub>2</sub>   | 0.15                     | 0.20 | 0.25 |
| D <sub>2</sub>   | —                        | 2.50 | —    |
| E <sub>2</sub>   | —                        | 2.50 | —    |

<R>

|                     |              |               |
|---------------------|--------------|---------------|
| JEITA Package code  | RENESAS code | MASS(TYP.)[g] |
| P-HWQFN024-4x4-0.50 | PWQN0024KF-A | 0.04          |



<R> 4.3 25-pin Package

|                    |              |                |                 |
|--------------------|--------------|----------------|-----------------|
| JEITA Package Code | RENESAS Code | Previous Code  | MASS (TYP.) [g] |
| P-WFLGA25-3x3-0.50 | PWLG0025KA-A | P25FC-50-2N2-2 | 0.01            |



DETAIL OF © PART



DETAIL OF © PART



(UNIT:mm)

| ITEM | DIMENSIONS |
|------|------------|
| D    | 3.00±0.10  |
| E    | 3.00±0.10  |
| w    | 0.20       |
| e    | 0.50       |
| A    | 0.69±0.07  |
| b    | 0.24±0.05  |
| x    | 0.05       |
| y    | 0.08       |
| y1   | 0.20       |
| ZD   | 0.50       |
| ZE   | 0.50       |

©2012 Renesas Electronics Corporation. All rights reserved.



<R> 4.4 30-pin Package

|                     |              |                |                 |
|---------------------|--------------|----------------|-----------------|
| JEITA Package Code  | RENESAS Code | Previous Code  | MASS (TYP.) [g] |
| P-LSSOP30-0300-0.65 | PLSP0030JB-B | S30MC-65-5A4-3 | 0.18            |



**NOTE**  
Each lead centerline is located within 0.13 mm of its true position (T.P.) at maximum material condition.

| ITEM | MILLIMETERS                            |
|------|--|
| A    | 9.85±0.15                              |
| B    | 0.45 MAX.                              |
| C    | 0.65 (T.P.)                            |
| D    | 0.24 <sup>+0.08</sup> <sub>-0.07</sub> |
| E    | 0.1±0.05                               |
| F    | 1.3±0.1                                |
| G    | 1.2                                    |
| H    | 8.1±0.2                                |
| I    | 6.1±0.2                                |
| J    | 1.0±0.2                                |
| K    | 0.17±0.03                              |
| L    | 0.5                                    |
| M    | 0.13                                   |
| N    | 0.10                                   |
| P    | 3° <sup>+5°</sup> <sub>-3°</sub>       |
| T    | 0.25                                   |
| U    | 0.6±0.15                               |

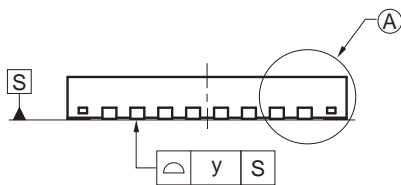
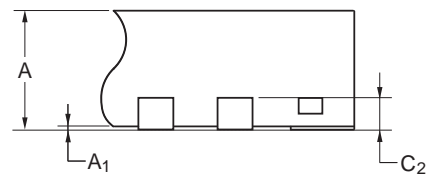
©2012 Renesas Electronics Corporation. All rights reserved.

<R> 4.5 32-pin Package

|                    |              |                |                |
|--------------------|--------------|----------------|----------------|
| JEITA Package code | RENESAS code | Previous code  | MASS (TYP.)[g] |
| P-HWQFN32-5x5-0.50 | PWQN0032KB-A | P32K8-50-3B4-5 | 0.06           |



DETAIL OF (A) PART



| Reference Symbol | Dimension in Millimeters |      |      |
|------------------|--------------------------|------|------|
|                  | Min                      | Nom  | Max  |
| D                | 4.95                     | 5.00 | 5.05 |
| E                | 4.95                     | 5.00 | 5.05 |
| A                | —                        | —    | 0.80 |
| A <sub>1</sub>   | 0.00                     | —    | —    |
| b                | 0.18                     | 0.25 | 0.30 |
| e                | —                        | 0.50 | —    |
| L <sub>p</sub>   | 0.30                     | 0.40 | 0.50 |
| x                | —                        | —    | 0.05 |
| y                | —                        | —    | 0.05 |
| Z <sub>D</sub>   | —                        | 0.75 | —    |
| Z <sub>E</sub>   | —                        | 0.75 | —    |
| c <sub>2</sub>   | 0.15                     | 0.20 | 0.25 |
| D <sub>2</sub>   | —                        | 3.50 | —    |
| E <sub>2</sub>   | —                        | 3.50 | —    |

©2013 Renesas Electronics Corporation. All rights reserved.

<R>

|                     |              |               |
|---------------------|--------------|---------------|
| JEITA Package code  | RENESAS code | MASS(TYP.)[g] |
| P-HWQFN032-5x5-0.50 | PWQN0032KE-A | 0.06          |



| Reference Symbol | Dimension in Millimeters |      |      |
|------------------|--------------------------|------|------|
|                  | Min.                     | Nom. | Max. |
| A                | —                        | —    | 0.80 |
| A <sub>1</sub>   | 0.00                     | 0.02 | 0.05 |
| A <sub>3</sub>   | 0.203 REF.               |      |      |
| b                | 0.18                     | 0.25 | 0.30 |
| D                | 5.00 BSC                 |      |      |
| E                | 5.00 BSC                 |      |      |
| e                | 0.50 BSC                 |      |      |
| L                | 0.35                     | 0.40 | 0.45 |
| K                | 0.20                     | —    | —    |
| D <sub>2</sub>   | 3.15                     | 3.20 | 3.25 |
| E <sub>2</sub>   | 3.15                     | 3.20 | 3.25 |
| aaa              | 0.15                     |      |      |
| bbb              | 0.10                     |      |      |
| ccc              | 0.10                     |      |      |
| ddd              | 0.05                     |      |      |
| eee              | 0.08                     |      |      |
| fff              | 0.10                     |      |      |

<R> 4.6 36-pin Package

|                    |              |                |                 |
|--------------------|--------------|----------------|-----------------|
| JEITA Package Code | RENESAS Code | Previous Code  | MASS (TYP.) [g] |
| P-WFLGA36-4x4-0.50 | PWLG0036KA-A | P36FC-50-AA4-2 | 0.023           |



©2012 Renesas Electronics Corporation. All rights reserved.

<R> 4.7 40-pin Package

| JEITA Package code | RENESAS code | Previous code  | MASS (TYP) [g] |
|--------------------|--------------|----------------|----------------|
| P-HWQFN40-6x6-0.50 | PWQN0040KC-A | P40K8-50-4B4-5 | 0.09           |



| Reference Symbol | Dimension in Millimeters |      |      |
|------------------|--------------------------|------|------|
|                  | Min                      | Nom  | Max  |
| D                | 5.95                     | 6.00 | 6.05 |
| E                | 5.95                     | 6.00 | 6.05 |
| A                | —                        | —    | 0.80 |
| A <sub>1</sub>   | 0.00                     | —    | —    |
| b                | 0.18                     | 0.25 | 0.30 |
| e                | —                        | 0.50 | —    |
| L <sub>p</sub>   | 0.30                     | 0.40 | 0.50 |
| x                | —                        | —    | 0.05 |
| y                | —                        | —    | 0.05 |
| Z <sub>D</sub>   | —                        | 0.75 | —    |
| Z <sub>E</sub>   | —                        | 0.75 | —    |
| c <sub>2</sub>   | 0.15                     | 0.20 | 0.25 |
| D <sub>2</sub>   | —                        | 4.50 | —    |
| E <sub>2</sub>   | —                        | 4.50 | —    |

©2013 Renesas Electronics Corporation. All rights reserved.

<R> 4.8 44-pin Package

|                     |              |                |                 |
|---------------------|--------------|----------------|-----------------|
| JEITA Package Code  | RENESAS Code | Previous Code  | MASS (TYP.) [g] |
| P-LQFP44-10x10-0.80 | PLQP0044GC-A | P44GB-80-UES-2 | 0.36            |



©2012 Renesas Electronics Corporation. All rights reserved.

<R>

|                     |              |               |            |
|---------------------|--------------|---------------|------------|
| JEITA Package Code  | RENESAS Code | Previous Code | MASS[Typ.] |
| P-LQFP44-10x10-0.80 | PLQP0044GC-D | —             | 0.36g      |



- NOTE)
1. DIMENSIONS \*1 AND \*2 DO NOT INCLUDE MOLD FLASH.
  2. DIMENSION \*3 DOES NOT INCLUDE TRIM OFFSET.
  3. PIN 1 VISUAL INDEX FEATURE MAY VARY, BUT MUST BE LOCATED WITHIN THE HATCHED AREA.
  4. CHAMFERS AT CORNERS ARE OPTIONAL; SIZE MAY VARY.



| Reference Symbol | Dimension in Millimeters |      |      |
|------------------|--------------------------|------|------|
|                  | Min                      | Nom  | Max  |
| D                | 9.8                      | 10.0 | 10.2 |
| E                | 9.8                      | 10.0 | 10.2 |
| A2               | —                        | 1.4  | —    |
| HD               | 11.8                     | 12.0 | 12.2 |
| HE               | 11.8                     | 12.0 | 12.2 |
| A                | —                        | —    | 1.6  |
| A1               | 0.05                     | —    | 0.15 |
| bp               | 0.22                     | 0.37 | 0.45 |
| c                | 0.09                     | —    | 0.20 |
| θ                | 0°                       | 3.5° | 8°   |
| e                | —                        | 0.80 | —    |
| x                | —                        | —    | 0.20 |
| y                | —                        | —    | 0.10 |
| Lp               | 0.45                     | 0.6  | 0.75 |
| L1               | —                        | 1.0  | —    |

<R> 4.9 48-pin Package

|                    |              |                |                 |
|--------------------|--------------|----------------|-----------------|
| JEITA Package Code | RENESAS Code | Previous Code  | MASS (TYP.) [g] |
| P-LFQFP48-7x7-0.50 | PLQP0048KF-A | P48GA-50-8EU-1 | 0.16            |



©2012 Renesas Electronics Corporation. All rights reserved.



<R>

| JEITA Package Code | RENESAS Code | Previous Code | MASS (Typ) [g] |
|--------------------|--------------|---------------|----------------|
| P-LFQFP48-7x7-0.50 | PLQP0048KB-B | —             | 0.2            |



Unit: mm



- NOTE)
1. DIMENSIONS “\*1” AND “\*2” DO NOT INCLUDE MOLD FLASH.
  2. DIMENSION “\*3” DOES NOT INCLUDE TRIM OFFSET.
  3. PIN 1 VISUAL INDEX FEATURE MAY VARY, BUT MUST BE LOCATED WITHIN THE HATCHED AREA.
  4. CHAMFERS AT CORNERS ARE OPTIONAL, SIZE MAY VARY.



Detail F

| Reference Symbol | Dimensions in millimeters |      |      |
|------------------|---------------------------|------|------|
|                  | Min                       | Nom  | Max  |
| D                | 6.9                       | 7.0  | 7.1  |
| E                | 6.9                       | 7.0  | 7.1  |
| A <sub>2</sub>   | —                         | 1.4  | —    |
| H <sub>D</sub>   | 8.8                       | 9.0  | 9.2  |
| H <sub>E</sub>   | 8.8                       | 9.0  | 9.2  |
| A                | —                         | —    | 1.7  |
| A <sub>1</sub>   | 0.05                      | —    | 0.15 |
| b <sub>p</sub>   | 0.17                      | 0.20 | 0.27 |
| c                | 0.09                      | —    | 0.20 |
| θ                | 0°                        | 3.5° | 8°   |
| e                | —                         | 0.5  | —    |
| x                | —                         | —    | 0.08 |
| y                | —                         | —    | 0.08 |
| L <sub>p</sub>   | 0.45                      | 0.6  | 0.75 |
| L <sub>1</sub>   | —                         | 1.0  | —    |

© 2015 Renesas Electronics Corporation. All rights reserved.

<R>

| JEITA Package code | RENESAS code | Previous code             | MASS(TYP.)[g] |
|--------------------|--------------|---------------------------|---------------|
| P-HWQFN48-7x7-0.50 | PWQN0048KB-A | 48PJN-A<br>P48K8-50-5B4-6 | 0.13          |

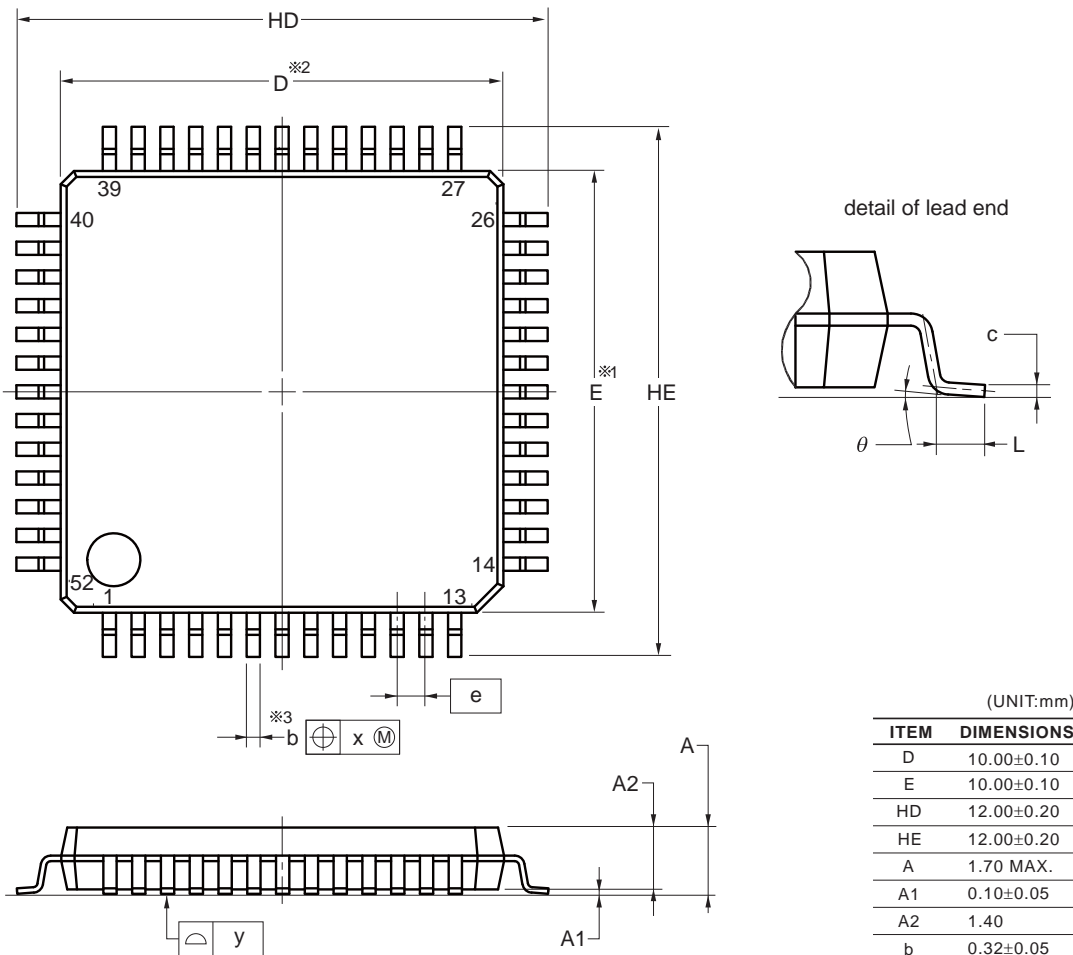


| Reference Symbol | Dimension in Millimeters |      |      |
|------------------|--------------------------|------|------|
|                  | Min                      | Nom  | Max  |
| D                | 6.95                     | 7.00 | 7.05 |
| E                | 6.95                     | 7.00 | 7.05 |
| A                | —                        | —    | 0.80 |
| A <sub>1</sub>   | 0.00                     | —    | —    |
| b                | 0.18                     | 0.25 | 0.30 |
| e                | —                        | 0.50 | —    |
| Lp               | 0.30                     | 0.40 | 0.50 |
| x                | —                        | —    | 0.05 |
| y                | —                        | —    | 0.05 |
| Z <sub>D</sub>   | —                        | 0.75 | —    |
| Z <sub>E</sub>   | —                        | 0.75 | —    |
| c <sub>2</sub>   | 0.15                     | 0.20 | 0.25 |
| D <sub>2</sub>   | —                        | 5.50 | —    |
| E <sub>2</sub>   | —                        | 5.50 | —    |

©2013 Renesas Electronics Corporation. All rights reserved.

<R> 4.10 52-pin Package

|                     |              |                |                 |
|---------------------|--------------|----------------|-----------------|
| JEITA Package Code  | RENESAS Code | Previous Code  | MASS (TYP.) [g] |
| P-LQFP52-10x10-0.65 | PLQP0052JA-A | P52GB-65-GBS-1 | 0.3             |



(UNIT:mm)

| ITEM     | DIMENSIONS  |
|----------|-------------|
| D        | 10.00±0.10  |
| E        | 10.00±0.10  |
| HD       | 12.00±0.20  |
| HE       | 12.00±0.20  |
| A        | 1.70 MAX.   |
| A1       | 0.10±0.05   |
| A2       | 1.40        |
| b        | 0.32±0.05   |
| c        | 0.145±0.055 |
| L        | 0.50±0.15   |
| $\theta$ | 0° to 8°    |
| e        | 0.65        |
| x        | 0.13        |
| y        | 0.10        |

**NOTE**

1. Dimensions "※1" and "※2" do not include mold flash.
2. Dimension "※3" does not include trim offset.

© 2012 Renesas Electronics Corporation. All rights reserved.

<R> 4.11 64-pin Package

|                     |              |                |                |
|---------------------|--------------|----------------|----------------|
| JEITA Package Code  | RENESAS Code | Previous Code  | MASS (TYP) [g] |
| P-LQFP64-12x12-0.65 | PLQP0064JA-A | P64GK-65-UET-2 | 0.51           |



**NOTE**  
Each lead centerline is located within 0.13 mm of its true position at maximum material condition.

©2012 Renesas Electronics Corporation. All rights reserved.

<R>

|                      |              |                |                |
|----------------------|--------------|----------------|----------------|
| JEITA Package Code   | RENESAS Code | Previous Code  | MASS (TYP) [g] |
| P-LFQFP64-10x10-0.50 | PLQP0064KF-A | P64GB-50-UEU-2 | 0.35           |



**NOTE**  
Each lead centerline is located within 0.08 mm of its true position at maximum material condition.

©2012 Renesas Electronics Corporation. All rights reserved.

<R>

| JEITA Package Code   | RENESAS Code | Previous Code | MASS (Typ) [g] |
|----------------------|--------------|---------------|----------------|
| P-LFQFP64-10x10-0.50 | PLQP0064KB-C | —             | 0.3            |

Unit: mm



NOTE)

1. DIMENSIONS “\*1” AND “\*2” DO NOT INCLUDE MOLD FLASH.
2. DIMENSION “\*3” DOES NOT INCLUDE TRIM OFFSET.
3. PIN 1 VISUAL INDEX FEATURE MAY VARY, BUT MUST BE LOCATED WITHIN THE HATCHED AREA.
4. CHAMFERS AT CORNERS ARE OPTIONAL, SIZE MAY VARY.

| Reference Symbol | Dimensions in millimeters |      |      |
|------------------|---------------------------|------|------|
|                  | Min                       | Nom  | Max  |
| D                | 9.9                       | 10.0 | 10.1 |
| E                | 9.9                       | 10.0 | 10.1 |
| A <sub>2</sub>   | —                         | 1.4  | —    |
| H <sub>D</sub>   | 11.8                      | 12.0 | 12.2 |
| H <sub>E</sub>   | 11.8                      | 12.0 | 12.2 |
| A                | —                         | —    | 1.7  |
| A <sub>1</sub>   | 0.05                      | —    | 0.15 |
| b <sub>p</sub>   | 0.15                      | 0.20 | 0.27 |
| c                | 0.09                      | —    | 0.20 |
| θ                | 0°                        | 3.5° | 8°   |
| e                | —                         | 0.5  | —    |
| x                | —                         | —    | 0.08 |
| y                | —                         | —    | 0.08 |
| L <sub>p</sub>   | 0.45                      | 0.6  | 0.75 |
| L <sub>1</sub>   | —                         | 1.0  | —    |

© 2015 Renesas Electronics Corporation. All rights reserved.

<R>

|                    |              |                |                 |
|--------------------|--------------|----------------|-----------------|
| JEITA Package Code | RENESAS Code | Previous Code  | MASS (TYP.) [g] |
| P-VFBGA64-4x4-0.40 | PVBG0064LA-A | P64F1-40-AA2-2 | 0.03            |



(UNIT:mm)

| ITEM | DIMENSIONS |
|------|------------|
| D    | 4.00±0.10  |
| E    | 4.00±0.10  |
| w    | 0.15       |
| A    | 0.89±0.10  |
| A1   | 0.20±0.05  |
| A2   | 0.69       |
| e    | 0.40       |
| b    | 0.25±0.05  |
| x    | 0.05       |
| y    | 0.08       |
| y1   | 0.20       |
| ZD   | 0.60       |
| ZE   | 0.60       |

©2012 Renesas Electronics Corporation. All rights reserved.

<R> 4.12 80-pin Package

|                     |              |                |                |
|---------------------|--------------|----------------|----------------|
| JEITA Package Code  | RENESAS Code | Previous Code  | MASS (TYP) [g] |
| P-LQFP80-14x14-0.65 | PLQP0080JB-E | P80GC-65-UBT-2 | 0.69           |



| Reference Symbol | Dimension in Millimeters |       |       |
|------------------|--------------------------|-------|-------|
|                  | Min                      | Nom   | Max   |
| D                | 13.80                    | 14.00 | 14.20 |
| E                | 13.80                    | 14.00 | 14.20 |
| HD               | 17.00                    | 17.20 | 17.40 |
| HE               | 17.00                    | 17.20 | 17.40 |
| A                | —                        | —     | 1.70  |
| A1               | 0.05                     | 0.125 | 0.20  |
| A2               | 1.35                     | 1.40  | 1.45  |
| A3               | —                        | 0.25  | —     |
| bp               | 0.26                     | 0.32  | 0.38  |
| c                | 0.10                     | 0.145 | 0.20  |
| L                | —                        | 0.80  | —     |
| Lp               | 0.736                    | 0.886 | 1.036 |
| L1               | 1.40                     | 1.60  | 1.80  |
| $\theta$         | 0°                       | 3°    | 8°    |
| e                | —                        | 0.65  | —     |
| x                | —                        | —     | 0.13  |
| y                | —                        | —     | 0.10  |
| ZD               | —                        | 0.825 | —     |
| ZE               | —                        | 0.825 | —     |

© 2012 Renesas Electronics Corporation. All rights reserved.



<R>

|                      |              |                |                 |
|----------------------|--------------|----------------|-----------------|
| JEITA Package Code   | RENESAS Code | Previous Code  | MASS (TYP.) [g] |
| P-LFQFP80-12x12-0.50 | PLQP0080KE-A | P80GK-50-8EU-2 | 0.53            |

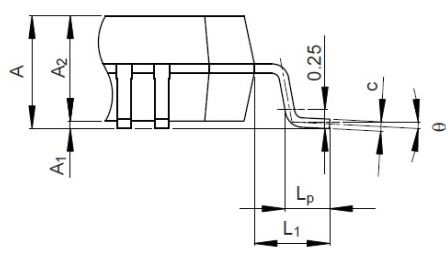
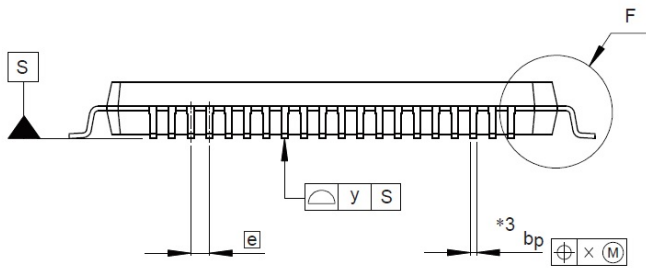


**NOTE**  
 Each lead centerline is located within 0.08 mm of its true position at maximum material condition.

©2012 Renesas Electronics Corporation. All rights reserved.

<R>

| JEITA Package Code   | RENESAS Code | Previous Code | MASS (Typ) [g] |
|----------------------|--------------|---------------|----------------|
| P-LFQFP80-12x12-0.50 | PLQP0080KB-B | —             | 0.5            |



Detail F

- NOTE)
1. DIMENSIONS “\*1” AND “\*2” DO NOT INCLUDE MOLD FLASH.
  2. DIMENSION “\*3” DOES NOT INCLUDE TRIM OFFSET.
  3. PIN 1 VISUAL INDEX FEATURE MAY VARY, BUT MUST BE LOCATED WITHIN THE HATCHED AREA.
  4. CHAMFERS AT CORNERS ARE OPTIONAL, SIZE MAY VARY.

| Reference Symbol | Dimensions in millimeters |      |      |
|------------------|---------------------------|------|------|
|                  | Min                       | Nom  | Max  |
| D                | 11.9                      | 12.0 | 12.1 |
| E                | 11.9                      | 12.0 | 12.1 |
| A <sub>2</sub>   | —                         | 1.4  | —    |
| H <sub>D</sub>   | 13.8                      | 14.0 | 14.2 |
| H <sub>E</sub>   | 13.8                      | 14.0 | 14.2 |
| A                | —                         | —    | 1.7  |
| A <sub>1</sub>   | 0.05                      | —    | 0.15 |
| b <sub>p</sub>   | 0.15                      | 0.20 | 0.27 |
| c                | 0.09                      | —    | 0.20 |
| θ                | 0°                        | 3.5° | 8°   |
| [e]              | —                         | 0.5  | —    |
| x                | —                         | —    | 0.08 |
| y                | —                         | —    | 0.08 |
| L <sub>p</sub>   | 0.45                      | 0.6  | 0.75 |
| L <sub>1</sub>   | —                         | 1.0  | —    |

© 2017 Renesas Electronics Corporation. All rights reserved.

<R> 4.13 100-pin Package

|                       |              |                 |                 |
|-----------------------|--------------|-----------------|-----------------|
| JEITA Package Code    | RENESAS Code | Previous Code   | MASS (TYP.) [g] |
| P-LFQFP100-14x14-0.50 | PLQP0100KE-A | P100GC-50-GBR-1 | 0.69            |



© 2012 Renesas Electronics Corporation. All rights reserved.

<R>

| JEITA Package Code    | RENESAS Code | Previous Code | MASS (Typ) [g] |
|-----------------------|--------------|---------------|----------------|
| P-LFQFP100-14x14-0.50 | PLQP0100KB-B | —             | 0.6            |

Unit: mm



NOTE)

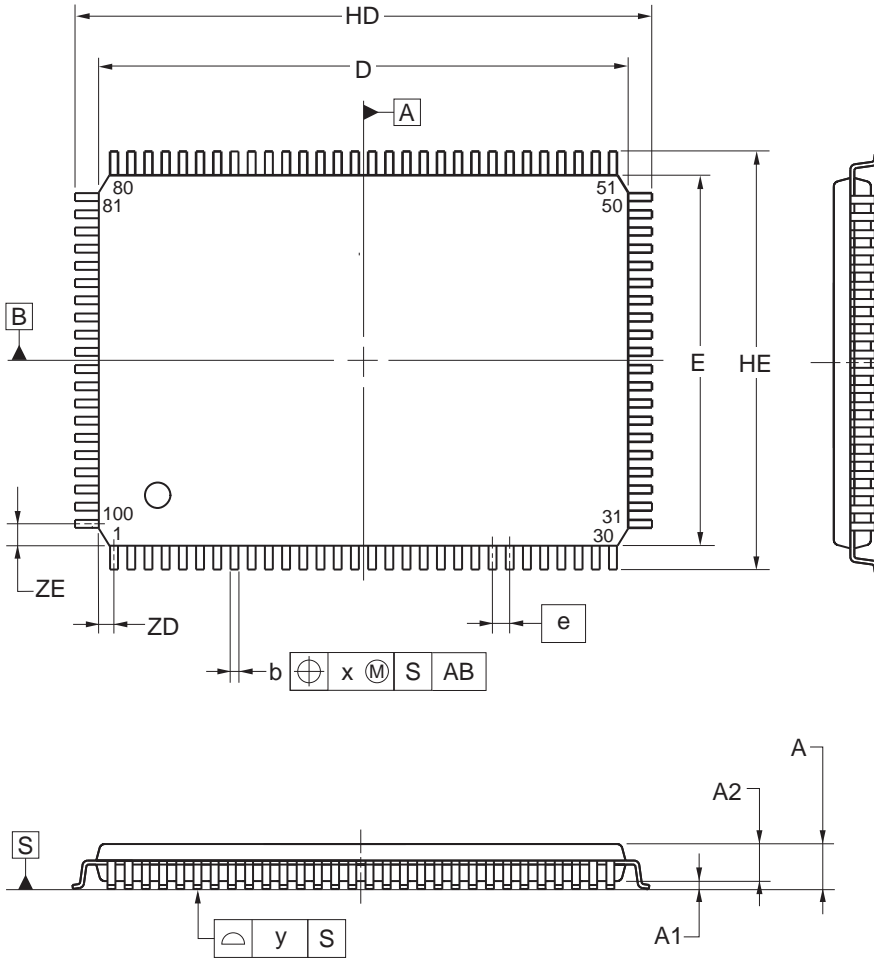
1. DIMENSIONS "\*\*1" AND "\*\*2" DO NOT INCLUDE MOLD FLASH.
2. DIMENSION "\*\*3" DOES NOT INCLUDE TRIM OFFSET.
3. PIN 1 VISUAL INDEX FEATURE MAY VARY, BUT MUST BE LOCATED WITHIN THE HATCHED AREA.
4. CHAMFERS AT CORNERS ARE OPTIONAL, SIZE MAY VARY.

| Reference Symbol | Dimensions in millimeters |      |      |
|------------------|---------------------------|------|------|
|                  | Min                       | Nom  | Max  |
| D                | 13.9                      | 14.0 | 14.1 |
| E                | 13.9                      | 14.0 | 14.1 |
| A <sub>2</sub>   | —                         | 1.4  | —    |
| H <sub>D</sub>   | 15.8                      | 16.0 | 16.2 |
| H <sub>E</sub>   | 15.8                      | 16.0 | 16.2 |
| A                | —                         | —    | 1.7  |
| A <sub>1</sub>   | 0.05                      | —    | 0.15 |
| b <sub>p</sub>   | 0.15                      | 0.20 | 0.27 |
| c                | 0.09                      | —    | 0.20 |
| θ                | 0°                        | 3.5° | 8°   |
| e                | —                         | 0.5  | —    |
| x                | —                         | —    | 0.08 |
| y                | —                         | —    | 0.08 |
| L <sub>p</sub>   | 0.45                      | 0.6  | 0.75 |
| L <sub>1</sub>   | —                         | 1.0  | —    |

© 2015 Renesas Electronics Corporation. All rights reserved.

<R>

|                      |              |                 |                 |
|----------------------|--------------|-----------------|-----------------|
| JEITA Package Code   | RENESAS Code | Previous Code   | MASS (TYP.) [g] |
| P-LQFP100-14x20-0.65 | PLQP0100JC-A | P100GF-65-GBN-1 | 0.92            |



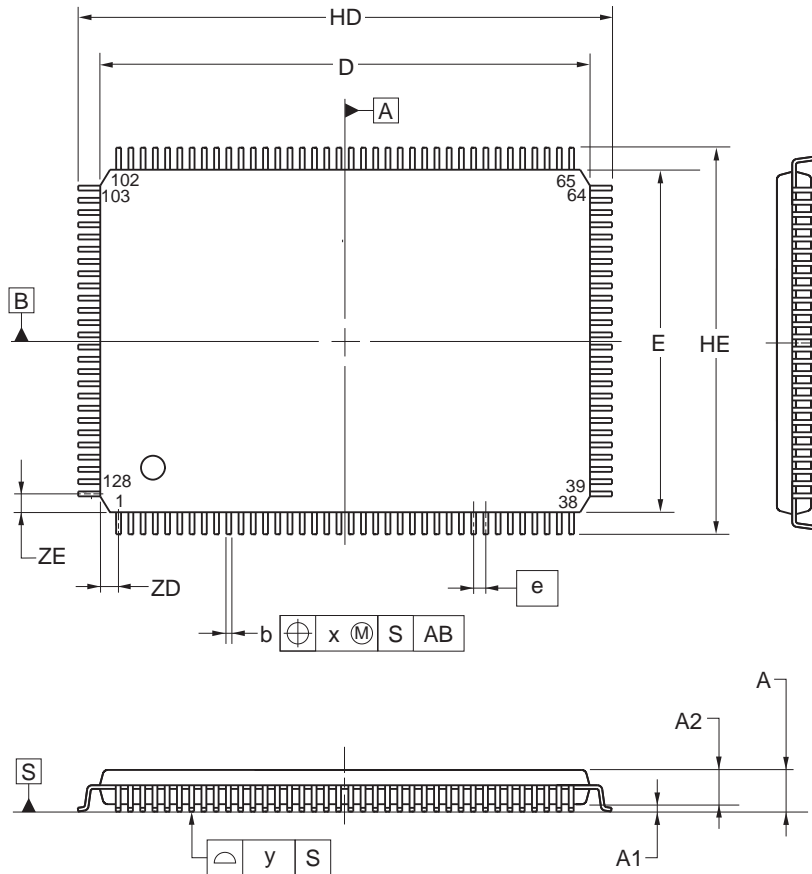
(UNIT:mm)

| ITEM     | DIMENSIONS                                |
|----------|---|
| D        | 20.00±0.20                                |
| E        | 14.00±0.20                                |
| HD       | 22.00±0.20                                |
| HE       | 16.00±0.20                                |
| A        | 1.60 MAX.                                 |
| A1       | 0.10±0.05                                 |
| A2       | 1.40±0.05                                 |
| A3       | 0.25                                      |
| b        | 0.32 <sup>+0.08</sup> <sub>-0.07</sub>    |
| c        | 0.145 <sup>+0.055</sup> <sub>-0.045</sub> |
| L        | 0.50                                      |
| Lp       | 0.60±0.15                                 |
| L1       | 1.00±0.20                                 |
| $\theta$ | 3° <sup>+5°</sup> <sub>-3°</sub>          |
| e        | 0.65                                      |
| x        | 0.13                                      |
| y        | 0.10                                      |
| ZD       | 0.575                                     |
| ZE       | 0.825                                     |

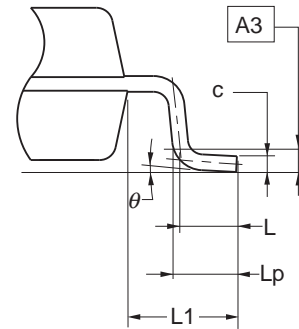
© 2012 Renesas Electronics Corporation. All rights reserved.

<R> 4.14 128-pin Package

|                       |              |                 |                 |
|-----------------------|--------------|-----------------|-----------------|
| JEITA Package Code    | RENESAS Code | Previous Code   | MASS (TYP.) [g] |
| P-LFQFP128-14x20-0.50 | PLQP0128KD-A | P128GF-50-GBP-1 | 0.92            |



detail of lead end



(UNIT:mm)

| ITEM | DIMENSIONS                                |
|------|---|
| D    | 20.00±0.20                                |
| E    | 14.00±0.20                                |
| HD   | 22.00±0.20                                |
| HE   | 16.00±0.20                                |
| A    | 1.60 MAX.                                 |
| A1   | 0.10±0.05                                 |
| A2   | 1.40±0.05                                 |
| A3   | 0.25                                      |
| b    | 0.22±0.05                                 |
| c    | 0.145 <sup>+0.055</sup> <sub>-0.045</sub> |
| L    | 0.50                                      |
| Lp   | 0.60±0.15                                 |
| L1   | 1.00±0.20                                 |
| θ    | 3° <sup>+5°</sup> <sub>-3°</sub>          |
| e    | 0.50                                      |
| x    | 0.08                                      |
| y    | 0.08                                      |
| ZD   | 0.75                                      |
| ZE   | 0.75                                      |

©2012 Renesas Electronics Corporation. All rights reserved.

|                         |                           |
|-------------------------|---------------------------|
| <b>Revision History</b> | <b>RL78/G13 Datasheet</b> |
|-------------------------|---------------------------|

| Rev.   | Date  | Description |  |
|--------|---|-------------|--|
|        |   | Page        | Summary  |
| 1.00   | Feb 29, 2012  | -           | First Edition issued   |
| 2.00   | Oct 12, 2012  | 7           | Figure 1-1. Part Number, Memory Size, and Package of RL78/G13: Pin count corrected.  |
|        |   | 25          | 1.4 Pin Identification: Description of pins INTP0 to INTP11 corrected.   |
|        |   | 40, 42, 44  | 1.6 Outline of Functions: Descriptions of Subsystem clock, Low-speed on-chip oscillator, and General-purpose register corrected. |
|        |   | 41, 43, 45  | 1.6 Outline of Functions: Lists of Descriptions changed.   |
|        |   | 59, 63, 67  | Descriptions of Note 8 in a table corrected.   |
|        |   | 68          | (4) Common to RL78/G13 all products: Descriptions of Notes corrected.  |
|        |   | 69          | 2.4 AC Characteristics: Symbol of external system clock frequency corrected.   |
|        |   | 96 to 98    | 2.6.1 A/D converter characteristics: Notes of overall error corrected.   |
|        |   | 100         | 2.6.2 Temperature sensor characteristics: Parameter name corrected.  |
|        |   | 104         | 2.8 Flash Memory Programming Characteristics: Incorrect descriptions corrected.  |
|        |   | 116         | 3.10 52-pin products: Package drawings of 52-pin products corrected.   |
|        |   | 120         | 3.12 80-pin products: Package drawings of 80-pin products corrected.   |
| 3.00   | Aug 02, 2013  | 1           | Modification of 1.1 Features   |
|        |   | 3           | Modification of 1.2 List of Part Numbers   |
|        |   | 4 to 15     | Modification of Table 1-1. List of Ordering Part Numbers, note, and caution  |
|        |   | 16 to 32    | Modification of package type in 1.3.1 to 1.3.14  |
|        |   | 33          | Modification of description in 1.4 Pin Identification  |
|        |   | 48, 50, 52  | Modification of caution, table, and note in 1.6 Outline of Functions   |
|        |   | 55          | Modification of description in table of Absolute Maximum Ratings ( $T_A = 25^\circ\text{C}$ )                                    |
|        |   | 57          | Modification of table, note, caution, and remark in 2.2.1 X1, XT1 oscillator characteristics                                     |
|        |   | 57          | Modification of table in 2.2.2 On-chip oscillator characteristics  |
|        |   | 58          | Modification of note 3 of table (1/5) in 2.3.1 Pin characteristics   |
|        |   | 59          | Modification of note 3 of table (2/5) in 2.3.1 Pin characteristics   |
|        |   | 63          | Modification of table in (1) Flash ROM: 16 to 64 KB of 20- to 64-pin products  |
|        |   | 64          | Modification of notes 1 and 4 in (1) Flash ROM: 16 to 64 KB of 20- to 64-pin products  |
|        |   | 65          | Modification of table in (1) Flash ROM: 16 to 64 KB of 20- to 64-pin products  |
|        |   | 66          | Modification of notes 1, 5, and 6 in (1) Flash ROM: 16 to 64 KB of 20- to 64-pin products  |
|        |   | 68          | Modification of notes 1 and 4 in (2) Flash ROM: 96 to 256 KB of 30- to 100-pin products  |
|        |   | 70          | Modification of notes 1, 5, and 6 in (2) Flash ROM: 96 to 256 KB of 30- to 100-pin products                                      |
|        |   | 72          | Modification of notes 1 and 4 in (3) Flash ROM: 384 to 512 KB of 44- to 100-pin products   |
|        |   | 74          | Modification of notes 1, 5, and 6 in (3) Flash ROM: 384 to 512 KB of 44- to 100-pin products                                     |
|        |   | 75          | Modification of (4) Peripheral Functions (Common to all products)  |
| 77     | Modification of table in 2.4 AC Characteristics                                   |             |  |
| 78, 79 | Addition of Minimum Instruction Execution Time during Main System Clock Operation |             |  |
| 80     | Modification of figures of AC Timing Test Points and External System Clock Timing |             |  |

| Rev. | Date   | Description |  |
|------|--|-------------|--|
|      |  | Page        | Summary  |
| 3.00 | Aug 02, 2013   | 81          | Modification of figure of AC Timing Test Points  |
|      |  | 81          | Modification of description and note 3 in (1) During communication at same potential (UART mode)   |
|      |  | 83          | Modification of description in (2) During communication at same potential (CSI mode)   |
|      |  | 84          | Modification of description in (3) During communication at same potential (CSI mode)   |
|      |  | 85          | Modification of description in (4) During communication at same potential (CSI mode) (1/2)   |
|      |  | 86          | Modification of description in (4) During communication at same potential (CSI mode) (2/2)   |
|      |  | 88          | Modification of table in (5) During communication at same potential (simplified I <sup>2</sup> C mode) (1/2)   |
|      |  | 89          | Modification of table and caution in (5) During communication at same potential (simplified I <sup>2</sup> C mode) (2/2)                             |
|      |  | 91          | Modification of table and notes 1 and 4 in (6) Communication at different potential (1.8 V, 2.5 V, 3 V) (UART mode) (1/2)                            |
|      |  | 92, 93      | Modification of table and notes 2 to 7 in (6) Communication at different potential (1.8 V, 2.5 V, 3 V) (UART mode) (2/2)                             |
|      |  | 94          | Modification of remarks 1 to 4 in (6) Communication at different potential (1.8 V, 2.5 V, 3 V) (UART mode) (2/2)                                     |
|      |  | 95          | Modification of table in (7) Communication at different potential (2.5 V, 3 V) (CSI mode) (1/2)  |
|      |  | 96          | Modification of table and caution in (7) Communication at different potential (2.5 V, 3 V) (CSI mode) (2/2)  |
|      |  | 97          | Modification of table in (8) Communication at different potential (1.8 V, 2.5 V, 3 V) (CSI mode) (1/3)   |
|      |  | 98          | Modification of table, note 1, and caution in (8) Communication at different potential (1.8 V, 2.5 V, 3 V) (CSI mode) (2/3)                          |
|      |  | 99          | Modification of table, note 1, and caution in (8) Communication at different potential (1.8 V, 2.5 V, 3 V) (CSI mode) (3/3)                          |
|      |  | 100         | Modification of remarks 3 and 4 in (8) Communication at different potential (1.8 V, 2.5 V, 3 V) (CSI mode) (3/3)                                     |
|      |  | 102         | Modification of table in (9) Communication at different potential (1.8 V, 2.5 V, 3 V) (CSI mode) (1/2)   |
|      |  | 103         | Modification of table and caution in (9) Communication at different potential (1.8 V, 2.5 V, 3 V) (CSI mode) (2/2)                                   |
|      |  | 106         | Modification of table in (10) Communication at different potential (1.8 V, 2.5 V, 3 V) (simplified I <sup>2</sup> C mode) (1/2)                      |
|      |  | 107         | Modification of table, note 1, and caution in (10) Communication at different potential (1.8 V, 2.5 V, 3 V) (simplified I <sup>2</sup> C mode) (2/2) |
|      |  | 109         | Addition of (1) I <sup>2</sup> C standard mode   |
|      |  | 111         | Addition of (2) I <sup>2</sup> C fast mode   |
|      |  | 112         | Addition of (3) I <sup>2</sup> C fast mode plus  |
|      |  | 112         | Modification of IICA serial transfer timing  |
|      |  | 113         | Addition of table in 2.6.1 A/D converter characteristics   |
|      |  | 113         | Modification of description in 2.6.1 (1)   |
| 114  | Modification of notes 3 to 5 in 2.6.1 (1)                      |             |  |
| 115  | Modification of description and notes 2, 4, and 5 in 2.6.1 (2) |             |  |
| 116  | Modification of description and notes 3 and 4 in 2.6.1 (3)     |             |  |
| 117  | Modification of description and notes 3 and 4 in 2.6.1 (4)     |             |  |



| Rev. | Date         | Description |  |
|------|--------------|-------------|--|
|      |              | Page        | Summary  |
| 3.00 | Aug 02, 2013 | 118         | Modification of table in 2.6.2 Temperature sensor/internal reference voltage characteristics   |
|      |              | 118         | Modification of table and note in 2.6.3 POR circuit characteristics  |
|      |              | 119         | Modification of table in 2.6.4 LVD circuit characteristics   |
|      |              | 120         | Modification of table of LVD Detection Voltage of Interrupt & Reset Mode   |
|      |              | 120         | Renamed to 2.6.5 Power supply voltage rising slope characteristics   |
|      |              | 122         | Modification of table, figure, and remark in 2.10 Timing Specs for Switching Flash Memory Programming Modes  |
|      |              | 123         | Modification of caution 1 and description  |
|      |              | 124         | Modification of table and remark 3 in Absolute Maximum Ratings (T <sub>A</sub> = 25°C)   |
|      |              | 126         | Modification of table, note, caution, and remark in 3.2.1 X1, XT1 oscillator characteristics   |
|      |              | 126         | Modification of table in 3.2.2 On-chip oscillator characteristics  |
|      |              | 127         | Modification of note 3 in 3.3.1 Pin characteristics (1/5)  |
|      |              | 128         | Modification of note 3 in 3.3.1 Pin characteristics (2/5)  |
|      |              | 133         | Modification of notes 1 and 4 in (1) Flash ROM: 16 to 64 KB of 20- to 64-pin products (1/2)  |
|      |              | 135         | Modification of notes 1, 5, and 6 in (1) Flash ROM: 16 to 64 KB of 20- to 64-pin products (2/2)  |
|      |              | 137         | Modification of notes 1 and 4 in (2) Flash ROM: 96 to 256 KB of 30- to 100-pin products (1/2)  |
|      |              | 139         | Modification of notes 1, 5, and 6 in (2) Flash ROM: 96 to 256 KB of 30- to 100-pin products (2/2)  |
|      |              | 140         | Modification of (3) Peripheral Functions (Common to all products)  |
|      |              | 142         | Modification of table in 3.4 AC Characteristics  |
|      |              | 143         | Addition of Minimum Instruction Execution Time during Main System Clock Operation  |
|      |              | 143         | Modification of figure of AC Timing Test Points  |
|      |              | 143         | Modification of figure of External System Clock Timing   |
|      |              | 145         | Modification of figure of AC Timing Test Points  |
|      |              | 145         | Modification of description, note 1, and caution in (1) During communication at same potential (UART mode)   |
|      |              | 146         | Modification of description in (2) During communication at same potential (CSI mode)   |
|      |              | 147         | Modification of description in (3) During communication at same potential (CSI mode)   |
|      |              | 149         | Modification of table, note 1, and caution in (4) During communication at same potential (simplified I <sup>2</sup> C mode)                        |
|      |              | 151         | Modification of table, note 1, and caution in (5) Communication at different potential (1.8 V, 2.5 V, 3 V) (UART mode) (1/2)                       |
|      |              | 152 to 154  | Modification of table, notes 2 to 6, caution, and remarks 1 to 4 in (5) Communication at different potential (1.8 V, 2.5 V, 3 V) (UART mode) (2/2) |
|      |              | 155         | Modification of table in (6) Communication at different potential (1.8 V, 2.5 V, 3 V) (CSI mode) (1/3)   |
|      |              | 156         | Modification of table and caution in (6) Communication at different potential (1.8 V, 2.5 V, 3 V) (CSI mode) (2/3)                                 |
|      |              | 157, 158    | Modification of table, caution, and remarks 3 and 4 in (6) Communication at different potential (1.8 V, 2.5 V, 3 V) (CSI mode) (3/3)               |
|      |              | 160, 161    | Modification of table and caution in (7) Communication at different potential (1.8 V, 2.5 V, 3 V) (CSI mode)                                       |

| Rev. | Date         | Description  |   |
|------|--------------|--|---|
|      |              | Page   | Summary   |
| 3.00 | Aug 02, 2013 | 163  | Modification of table in (8) Communication at different potential (1.8 V, 2.5 V, 3 V) (simplified I <sup>2</sup> C mode) (1/2)                      |
|      |              | 164, 165   | Modification of table, note 1, and caution in (8) Communication at different potential (1.8 V, 2.5 V, 3 V) (simplified I <sup>2</sup> C mode) (2/2) |
|      |              | 166  | Modification of table in 3.5.2 Serial interface IICA  |
|      |              | 166  | Modification of IICA serial transfer timing   |
|      |              | 167  | Addition of table in 3.6.1 A/D converter characteristics  |
|      |              | 167, 168   | Modification of table and notes 3 and 4 in 3.6.1 (1)  |
|      |              | 169  | Modification of description in 3.6.1 (2)  |
|      |              | 170  | Modification of description and note 3 in 3.6.1 (3)   |
|      |              | 171  | Modification of description and notes 3 and 4 in 3.6.1 (4)  |
|      |              | 172  | Modification of table and note in 3.6.3 POR circuit characteristics   |
|      |              | 173  | Modification of table of LVD Detection Voltage of Interrupt & Reset Mode  |
|      |              | 173  | Modification from Supply Voltage Rise Time to 3.6.5 Power supply voltage rising slope characteristics   |
|      |              | 174  | Modification of 3.9 Dedicated Flash Memory Programmer Communication (UART)  |
|      |              | 175  | Modification of table, figure, and remark in 3.10 Timing Specs for Switching Flash Memory Programming Modes   |
| 3.10 | Nov 15, 2013 | 123  | Caution 4 added.  |
|      |              | 125  | Note for operating ambient temperature in 3.1 Absolute Maximum Ratings deleted.   |
| 3.30 | Mar 31, 2016 | 18   | Modification of the position of the index mark in 25-pin plastic WFLGA (3 × 3 mm, 0.50 mm pitch) of 1.3.3 25-pin products                           |
|      |              | 49   | Modification of power supply voltage in 1.6 Outline of Functions [20-pin, 24-pin, 25-pin, 30-pin, 32-pin, 36-pin products]                          |
|      |              | 51   | Modification of power supply voltage in 1.6 Outline of Functions [40-pin, 44-pin, 48-pin, 52-pin, 64-pin products]                                  |
|      |              | 53   | Modification of power supply voltage in 1.6 Outline of Functions [80-pin, 100-pin, 128-pin products]  |
|      |              | 110 to 112, 167  | $\overline{\text{ACK}}$ corrected to ACK  |
| 3.40 | May 31, 2018 | 172  | Addition of note in 3.6.3 POR circuit characteristics   |
| 3.41 | Jan 31, 2020 | 3  | Addition of packaging specifications in Figure 1-1 Part Number, Memory Size, and Package of RL78/G13  |
|      |              | 4 to 28  | Addition of ordering part numbers and RENESAS codes in Table 1-1 List of Ordering Part Numbers  |
|      |              | 189, 190, 192 to 194, 196 to 198, 200, 202 to 205, 207 to 209, 211, 213, 214 | Modification of the titles of the subchapters and deletion of product names in Chapter 4  |
|      |              | 191  | Addition of figure in 4.2 24-pin Package  |
|      |              | 195  | Addition of figure in 4.3 32-pin Package  |
|      |              | 199  | Addition of figure in 4.8 44-pin Package  |

| Rev. | Date         | Description |  |
|------|--------------|-------------|--|
|      |              | Page        | Summary                                    |
| 3.41 | Jan 31, 2020 | 201         | Addition of figure in 4.9 48-pin Package   |
|      |              | 206         | Addition of figure in 4.11 64-pin Package  |
|      |              | 210         | Addition of figure in 4.12 80-pin Package  |
|      |              | 212         | Addition of figure in 4.13 100-pin Package |

All trademarks and registered trademarks are the property of their respective owners.

SuperFlash is a registered trademark of Silicon Storage Technology, Inc. in several countries including the United States and Japan.

|  |
|--|
| Caution: This product uses SuperFlash® technology licensed from Silicon Storage Technology, Inc. |
|--|

# General Precautions in the Handling of Microprocessing Unit and Microcontroller Unit Products

The following usage notes are applicable to all Microprocessing unit and Microcontroller unit products from Renesas. For detailed usage notes on the products covered by this document, refer to the relevant sections of the document as well as any technical updates that have been issued for the products.

## 1. Precaution against Electrostatic Discharge (ESD)

A strong electrical field, when exposed to a CMOS device, can cause destruction of the gate oxide and ultimately degrade the device operation. Steps must be taken to stop the generation of static electricity as much as possible, and quickly dissipate it when it occurs. Environmental control must be adequate. When it is dry, a humidifier should be used. This is recommended to avoid using insulators that can easily build up static electricity.

Semiconductor devices must be stored and transported in an anti-static container, static shielding bag or conductive material. All test and measurement tools including work benches and floors must be grounded. The operator must also be grounded using a wrist strap. Semiconductor devices must not be touched with bare hands. Similar precautions must be taken for printed circuit boards with mounted semiconductor devices.

## 2. Processing at power-on

The state of the product is undefined at the time when power is supplied. The states of internal circuits in the LSI are indeterminate and the states of register settings and pins are undefined at the time when power is supplied. In a finished product where the reset signal is applied to the external reset pin, the states of pins are not guaranteed from the time when power is supplied until the reset process is completed. In a similar way, the states of pins in a product that is reset by an on-chip power-on reset function are not guaranteed from the time when power is supplied until the power reaches the level at which resetting is specified.

## 3. Input of signal during power-off state

Do not input signals or an I/O pull-up power supply while the device is powered off. The current injection that results from input of such a signal or I/O pull-up power supply may cause malfunction and the abnormal current that passes in the device at this time may cause degradation of internal elements. Follow the guideline for input signal during power-off state as described in your product documentation.

## 4. Handling of unused pins

Handle unused pins in accordance with the directions given under handling of unused pins in the manual. The input pins of CMOS products are generally in the high-impedance state. In operation with an unused pin in the open-circuit state, extra electromagnetic noise is induced in the vicinity of the LSI, an associated shoot-through current flows internally, and malfunctions occur due to the false recognition of the pin state as an input signal become possible.

## 5. Clock signals

After applying a reset, only release the reset line after the operating clock signal becomes stable. When switching the clock signal during program execution, wait until the target clock signal is stabilized. When the clock signal is generated with an external resonator or from an external oscillator during a reset, ensure that the reset line is only released after full stabilization of the clock signal. Additionally, when switching to a clock signal produced with an external resonator or by an external oscillator while program execution is in progress, wait until the target clock signal is stable.

## 6. Voltage application waveform at input pin

Waveform distortion due to input noise or a reflected wave may cause malfunction. If the input of the CMOS device stays in the area between  $V_{IL}$  (Max.) and  $V_{IH}$  (Min.) due to noise, for example, the device may malfunction. Take care to prevent chattering noise from entering the device when the input level is fixed, and also in the transition period when the input level passes through the area between  $V_{IL}$  (Max.) and  $V_{IH}$  (Min.).

## 7. Prohibition of access to reserved addresses

Access to reserved addresses is prohibited. The reserved addresses are provided for possible future expansion of functions. Do not access these addresses as the correct operation of the LSI is not guaranteed.

## 8. Differences between products

Before changing from one product to another, for example to a product with a different part number, confirm that the change will not lead to problems. The characteristics of a microprocessing unit or microcontroller unit products in the same group but having a different part number might differ in terms of internal memory capacity, layout pattern, and other factors, which can affect the ranges of electrical characteristics, such as characteristic values, operating margins, immunity to noise, and amount of radiated noise. When changing to a product with a different part number, implement a system-evaluation test for the given product.

## Notice

1. Descriptions of circuits, software and other related information in this document are provided only to illustrate the operation of semiconductor products and application examples. You are fully responsible for the incorporation or any other use of the circuits, software, and information in the design of your product or system. Renesas Electronics disclaims any and all liability for any losses and damages incurred by you or third parties arising from the use of these circuits, software, or information.
2. Renesas Electronics hereby expressly disclaims any warranties against and liability for infringement or any other claims involving patents, copyrights, or other intellectual property rights of third parties, by or arising from the use of Renesas Electronics products or technical information described in this document, including but not limited to, the product data, drawings, charts, programs, algorithms, and application examples.
3. No license, express, implied or otherwise, is granted hereby under any patents, copyrights or other intellectual property rights of Renesas Electronics or others.
4. You shall not alter, modify, copy, or reverse engineer any Renesas Electronics product, whether in whole or in part. Renesas Electronics disclaims any and all liability for any losses or damages incurred by you or third parties arising from such alteration, modification, copying or reverse engineering.
5. Renesas Electronics products are classified according to the following two quality grades: "Standard" and "High Quality". The intended applications for each Renesas Electronics product depends on the product's quality grade, as indicated below.  
"Standard": Computers; office equipment; communications equipment; test and measurement equipment; audio and visual equipment; home electronic appliances; machine tools; personal electronic equipment; industrial robots; etc.  
"High Quality": Transportation equipment (automobiles, trains, ships, etc.); traffic control (traffic lights); large-scale communication equipment; key financial terminal systems; safety control equipment; etc.  
Unless expressly designated as a high reliability product or a product for harsh environments in a Renesas Electronics data sheet or other Renesas Electronics document, Renesas Electronics products are not intended or authorized for use in products or systems that may pose a direct threat to human life or bodily injury (artificial life support devices or systems; surgical implantations; etc.), or may cause serious property damage (space system; undersea repeaters; nuclear power control systems; aircraft control systems; key plant systems; military equipment; etc.). Renesas Electronics disclaims any and all liability for any damages or losses incurred by you or any third parties arising from the use of any Renesas Electronics product that is inconsistent with any Renesas Electronics data sheet, user's manual or other Renesas Electronics document.
6. When using Renesas Electronics products, refer to the latest product information (data sheets, user's manuals, application notes, "General Notes for Handling and Using Semiconductor Devices" in the reliability handbook, etc.), and ensure that usage conditions are within the ranges specified by Renesas Electronics with respect to maximum ratings, operating power supply voltage range, heat dissipation characteristics, installation, etc. Renesas Electronics disclaims any and all liability for any malfunctions, failure or accident arising out of the use of Renesas Electronics products outside of such specified ranges.
7. Although Renesas Electronics endeavors to improve the quality and reliability of Renesas Electronics products, semiconductor products have specific characteristics, such as the occurrence of failure at a certain rate and malfunctions under certain use conditions. Unless designated as a high reliability product or a product for harsh environments in a Renesas Electronics data sheet or other Renesas Electronics document, Renesas Electronics products are not subject to radiation resistance design. You are responsible for implementing safety measures to guard against the possibility of bodily injury, injury or damage caused by fire, and/or danger to the public in the event of a failure or malfunction of Renesas Electronics products, such as safety design for hardware and software, including but not limited to redundancy, fire control and malfunction prevention, appropriate treatment for aging degradation or any other appropriate measures. Because the evaluation of microcomputer software alone is very difficult and impractical, you are responsible for evaluating the safety of the final products or systems manufactured by you.
8. Please contact a Renesas Electronics sales office for details as to environmental matters such as the environmental compatibility of each Renesas Electronics product. You are responsible for carefully and sufficiently investigating applicable laws and regulations that regulate the inclusion or use of controlled substances, including without limitation, the EU RoHS Directive, and using Renesas Electronics products in compliance with all these applicable laws and regulations. Renesas Electronics disclaims any and all liability for damages or losses occurring as a result of your noncompliance with applicable laws and regulations.
9. Renesas Electronics products and technologies shall not be used for or incorporated into any products or systems whose manufacture, use, or sale is prohibited under any applicable domestic or foreign laws or regulations. You shall comply with any applicable export control laws and regulations promulgated and administered by the governments of any countries asserting jurisdiction over the parties or transactions.
10. It is the responsibility of the buyer or distributor of Renesas Electronics products, or any other party who distributes, disposes of, or otherwise sells or transfers the product to a third party, to notify such third party in advance of the contents and conditions set forth in this document.
11. This document shall not be reprinted, reproduced or duplicated in any form, in whole or in part, without prior written consent of Renesas Electronics.
12. Please contact a Renesas Electronics sales office if you have any questions regarding the information contained in this document or Renesas Electronics products.

(Note 1) "Renesas Electronics" as used in this document means Renesas Electronics Corporation and also includes its directly or indirectly controlled subsidiaries.

(Note 2) "Renesas Electronics product(s)" means any product developed or manufactured by or for Renesas Electronics.

(Rev.4.0-1 November 2017)



### SALES OFFICES

Renesas Electronics Corporation

<http://www.renesas.com>

Refer to "<http://www.renesas.com/>" for the latest and detailed information.

#### Renesas Electronics Corporation

TOYOSU FORESIA, 3-2-24 Toyosu, Koto-ku, Tokyo 135-0061, Japan

#### Renesas Electronics America Inc. Milpitas Campus

1001 Murphy Ranch Road, Milpitas, CA 95035, U.S.A.

Tel: +1-408-432-8888, Fax: +1-408-434-5351

#### Renesas Electronics America Inc. San Jose Campus

6024 Silver Creek Valley Road, San Jose, CA 95138, USA

Tel: +1-408-284-8200, Fax: +1-408-284-2775

#### Renesas Electronics Canada Limited

9251 Yonge Street, Suite 8309 Richmond Hill, Ontario Canada L4C 9T3

Tel: +1-905-237-2004

#### Renesas Electronics Europe GmbH

Arcadiastrasse 10, 40472 Düsseldorf, Germany

Tel: +49-211-6503-0, Fax: +49-211-6503-1327

#### Renesas Electronics (China) Co., Ltd.

Room 101-T01, Floor 1, Building 7, Yard No. 7, 8th Street, Shangdi, Haidian District, Beijing 100085, China

Tel: +86-10-8235-1155, Fax: +86-10-8235-7679

#### Renesas Electronics (Shanghai) Co., Ltd.

Unit 301, Tower A, Central Towers, 555 Langao Road, Putuo District, Shanghai 200333, China

Tel: +86-21-2226-0888, Fax: +86-21-2226-0999

#### Renesas Electronics Hong Kong Limited

Unit 1601-1611, 16/F., Tower 2, Grand Century Place, 193 Prince Edward Road West, Mongkok, Kowloon, Hong Kong

Tel: +852-2265-6688, Fax: +852 2886-9022

#### Renesas Electronics Taiwan Co., Ltd.

13F, No. 363, Fu Shing North Road, Taipei 10543, Taiwan

Tel: +886-2-8175-9600, Fax: +886 2-8175-9670

#### Renesas Electronics Singapore Pte. Ltd.

80 Bendemeer Road, #06-02 Singapore 339949

Tel: +65-6213-0200, Fax: +65-6213-0300

#### Renesas Electronics Malaysia Sdn.Bhd.

Unit No 3A-1 Level 3A Tower 8 UOA Business Park, No 1 Jalan Pengerutcara U1/51A, Seksyen U1, 40150 Shah Alam, Selangor, Malaysia

Tel: +60-3-5022-1288, Fax: +60-3-5022-1290

#### Renesas Electronics India Pvt. Ltd.

No.77C, 100 Feet Road, HAL 2nd Stage, Indiranagar, Bangalore 560 038, India

Tel: +91-80-67208700

#### Renesas Electronics Korea Co., Ltd.

17F, KAMCO Yangjae Tower, 262, Gangnam-daero, Gangnam-gu, Seoul, 06265 Korea

Tel: +82-2-558-3737, Fax: +82-2-558-5338

# Mouser Electronics

Authorized Distributor

Click to View Pricing, Inventory, Delivery & Lifecycle Information:

## Renesas Electronics:

[R5F100LHABG#X0](#) [R5F100LJABG#V0](#) [R5F100LEABG#V0](#) [R5F100LKGFB#30](#) [R5F100LKGFB#50](#)  
[R5F100LLGFB#30](#) [R5F100LLGFB#50](#) [R5F100MKGFB#30](#) [R5F100MKGFB#50](#) [R5F100MLGFB#30](#)  
[R5F100MLGFB#50](#) [R5F100PLGFB#30](#) [R5F100PLGFB#50](#) [R5F100BEANA#20](#) [R5F100BEANA#40](#)  
[R5F100BAANA#20](#) [R5F100BAANA#40](#) [R5F100BAGNA#20](#) [R5F100BAGNA#40](#) [R5F100BCANA#20](#)  
[R5F100BCANA#40](#) [R5F100BCGNA#20](#) [R5F100BCGNA#40](#) [R5F100BDANA#20](#) [R5F100BDANA#40](#)  
[R5F100BDGNA#20](#) [R5F100BDGNA#40](#) [R5F100BEGNA#20](#) [R5F100BEGNA#40](#) [R5F101BAANA#20](#)  
[R5F101BAANA#40](#) [R5F101BCANA#20](#) [R5F101BCANA#40](#) [R5F101BDANA#20](#) [R5F101BDANA#40](#)  
[R5F101BEANA#20](#) [R5F101BEANA#40](#)

Компания «Океан Электроники» предлагает заключение долгосрочных отношений при поставках импортных электронных компонентов на взаимовыгодных условиях!

Наши преимущества:

- Поставка оригинальных импортных электронных компонентов напрямую с производств Америки, Европы и Азии, а так же с крупнейших складов мира;
- Широкая линейка поставок активных и пассивных импортных электронных компонентов (более 30 млн. наименований);
- Поставка сложных, дефицитных, либо снятых с производства позиций;
- Оперативные сроки поставки под заказ (от 5 рабочих дней);
- Экспресс доставка в любую точку России;
- Помощь Конструкторского Отдела и консультации квалифицированных инженеров;
- Техническая поддержка проекта, помощь в подборе аналогов, поставка прототипов;
- Поставка электронных компонентов под контролем ВП;
- Система менеджмента качества сертифицирована по Международному стандарту ISO 9001;
- При необходимости вся продукция военного и аэрокосмического назначения проходит испытания и сертификацию в лаборатории (по согласованию с заказчиком);
- Поставка специализированных компонентов военного и аэрокосмического уровня качества (Xilinx, Altera, Analog Devices, Intersil, Interpoint, Microsemi, Actel, Aeroflex, Peregrine, VPT, Syfer, Eurofarad, Texas Instruments, MS Kennedy, Miteq, Cobham, E2V, MA-COM, Hittite, Mini-Circuits, General Dynamics и др.);

Компания «Океан Электроники» является официальным дистрибьютором и эксклюзивным представителем в России одного из крупнейших производителей разъемов военного и аэрокосмического назначения «JONHON», а так же официальным дистрибьютором и эксклюзивным представителем в России производителя высокотехнологичных и надежных решений для передачи СВЧ сигналов «FORSTAR».



## JONHON

«JONHON» (основан в 1970 г.)

Разъемы специального, военного и аэрокосмического назначения:

(Применяются в военной, авиационной, аэрокосмической, морской, железнодорожной, горно- и нефтедобывающей отраслях промышленности)

«FORSTAR» (основан в 1998 г.)

ВЧ соединители, коаксиальные кабели,  
кабельные сборки и микроволновые компоненты:

(Применяются в телекоммуникациях гражданского и специального назначения, в средствах связи, РЛС, а так же военной, авиационной и аэрокосмической отраслях промышленности).



Телефон: 8 (812) 309-75-97 (многоканальный)

Факс: 8 (812) 320-03-32

Электронная почта: [ocean@oceanchips.ru](mailto:ocean@oceanchips.ru)

Web: <http://oceanchips.ru/>

Адрес: 198099, г. Санкт-Петербург, ул. Калинина, д. 2, корп. 4, лит. А