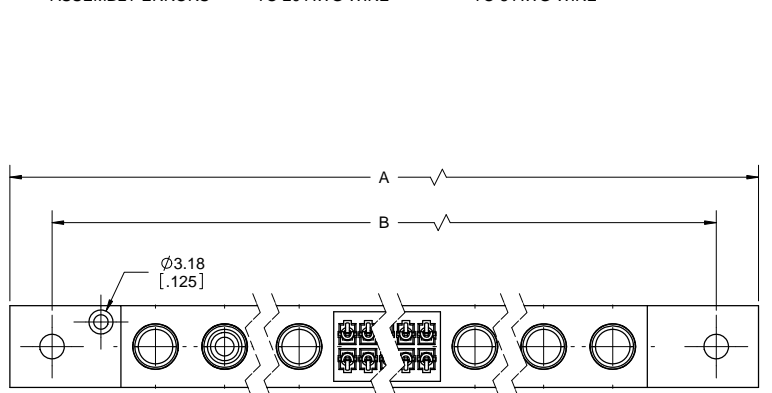
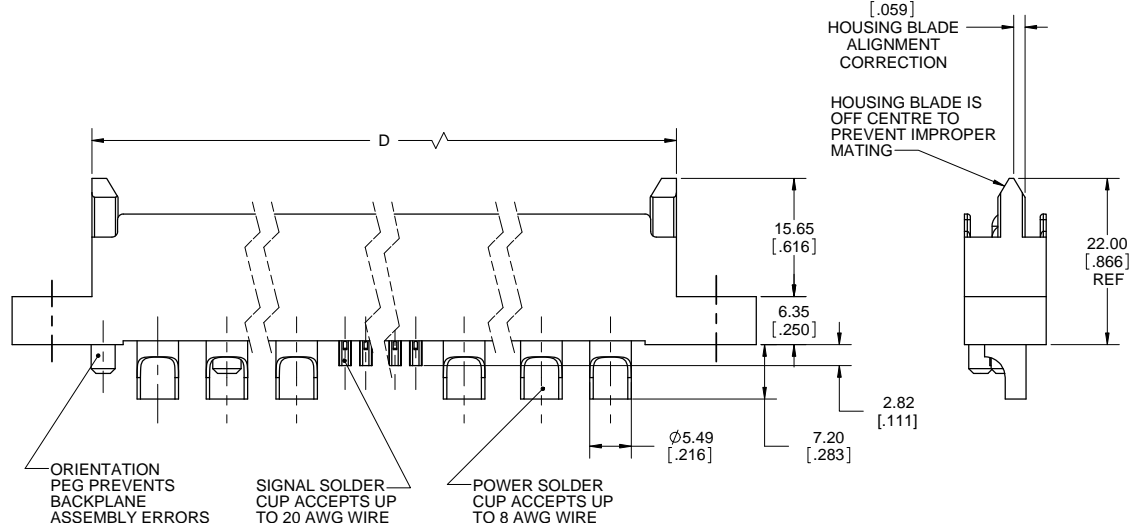
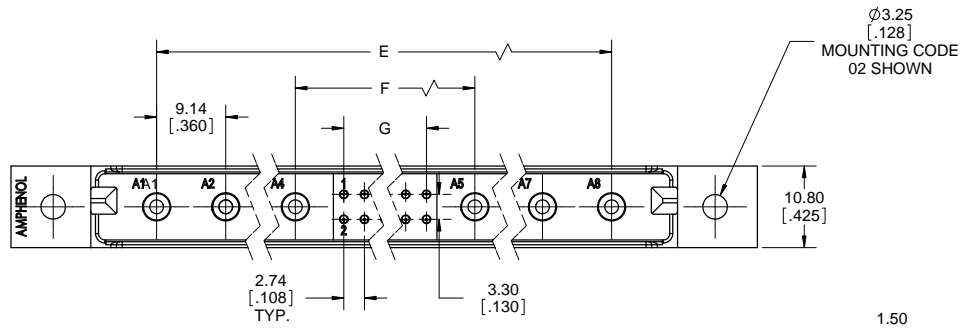


| REVISIONS |                              |          |      |
|-----------|------------------------------|----------|------|
| REV       | DESCRIPTION, ECN, EAR NO.    | DATE     | APPD |
| A         | PROPOSAL DRAWING             | APR11/11 | A.G  |
| B         | GUIDE PIN UPDATE (EAR14097)  | JUN19/12 | S.M. |
| C         | REMOVE 10 PWR CONTACT OPTION | JUL12/12 | S.M. |



**PART NUMBER:** DWR - T X XX P - V X 1 X - 0X

**SERIES:** DWR

**PRODUCT TYPE:** T = SLIMDRAWER FINISHED CONNECTOR

**NUMBER OF POWER CONTACT POSITIONS:** 2, 4, 6, 8 OR A = 10

**NUMBER OF SIGNAL CONTACT POSITIONS:** 00, 04, 06, 08, 10 ... 40

**GENDER:** P = PIN (MALE)

**ORIENTATION:** V = VERTICAL

**CONTACT OPTIONS:**  
 2 = POWER PIN SIZE CB8 (Ø3.50mm)  
 3 = POWER PIN SIZE CB10 (Ø3.00mm)  
 STD SIGNAL

**CONTACT TERMINATION:**  
 1 = SOLDER CUP TAILS: POWER 8 AWG, SIGNAL 20 AWG

**PLATING OPTIONS:**  
 2 = 0.38µm [15µ"] GOLD  
 3 = 0.76µm [30µ"] GOLD  
 6 = 5.08µm [200µ"] SILVER POWER, 0.38µm [15µ"] GOLD SIGNAL

**MOUNTING OPTION:**  
 00 = NO MOUNTING FEATURE  
 01 = NO MOUNTING EARS  
 02 = 3.25mm [0.128"] DIA THROUGH HOLE  
 04 = #4-40 THREADED HOLE  
 06 = M3 THREADED HOLE  
 08 = GUIDE PINS

**SPECIAL CONFIGURATIONS**  
 SPECIAL CODE DESIGNATIONS ARE RESERVED FOR SPECIAL CONFIGURATIONS. CONTACT AUTHORIZED AMPHENOL REPRESENTATIVE FOR DETAILS.

**NOTES:**

- MATERIALS: ALL MATERIALS ARE RoHS COMPLIANT PER EU DIRECTIVE 2002/95/EC AND AMENDMENTS  
 - HOUSING: HIGH TEMPERATURE RESISTANT NYLON, UL FLAMMABILITY RATING 94V-0, COLOUR BLACK  
 - SIGNAL CONTACTS: PHOSPHOR BRONZE PLATED WITH GOLD OVER 1.27µm (50µ") NICKEL ON THE MATING AREA AND 2.54µm (100µ") MATTE TIN OVER NICKEL ON THE TAILS  
 - POWER CONTACTS: COPPER ALLOY PLATED WITH GOLD OR SILVER OVER 1.27µm (50µ") MIN NICKEL
- WHEN MATED WITH SOCKET CONNECTOR DWR-TXXS-VXXX-XX, THE ORDER OF MECHANICAL AND ELECTRICAL ENGAGEMENT IS A) HOUSING BLADES, B) HOUSING SHROUD, C) POWER CONTACTS AND D) SIGNAL CONTACTS.
- RATINGS SUBJECT TO DESIGN QUALIFICATION TESTING  
 - CURRENT RATING: UP TO 55A POWER, 5A SIGNAL  
 - INSULATION RESISTANCE: 5000 MEGAOHMS  
 - DIELECTRIC WITHSTANDING VOLTAGE: 1500V DC  
 - OPERATING TEMPERATURE: -55C TO +105C



THIS DOCUMENT CONTAINS PROPRIETARY INFORMATION AND SUCH INFORMATION MAY NOT BE DISCLOSED TO OTHERS FOR ANY PURPOSE OR USED FOR MANUFACTURING PURPOSES WITHOUT WRITTEN PERMISSION FROM AMPHENOL CANADA CORP.

|                            |                        |           |          |
|----------------------------|------------------------|-----------|----------|
| UNLESS SPECIFIED OTHERWISE | DRAWN                  | S.CAELERS | APR06/11 |
| PRIMARY UNITS MILLIMETERS  | CHECKED                | A.GREEN   | APR11/11 |
| SECONDARY INCHES           | M.E. APPD              |           |          |
| REFERENCE IN PARENTHESES   | Q.A. APPD              |           |          |
| GENERAL TOLERANCES         | DWG APPR.              |           |          |
| 1 DECIMAL PLACE            | ENG. REL. NO.          |           |          |
| 2 DECIMAL PLACES           | REF.                   |           |          |
| 3 DECIMAL PLACES           | THIRD ANGLE PROJECTION |           |          |
| ANGULAR DEGREES            | DO NOT SCALE DRAWING   |           |          |

**Amphenol Canada Corp.**

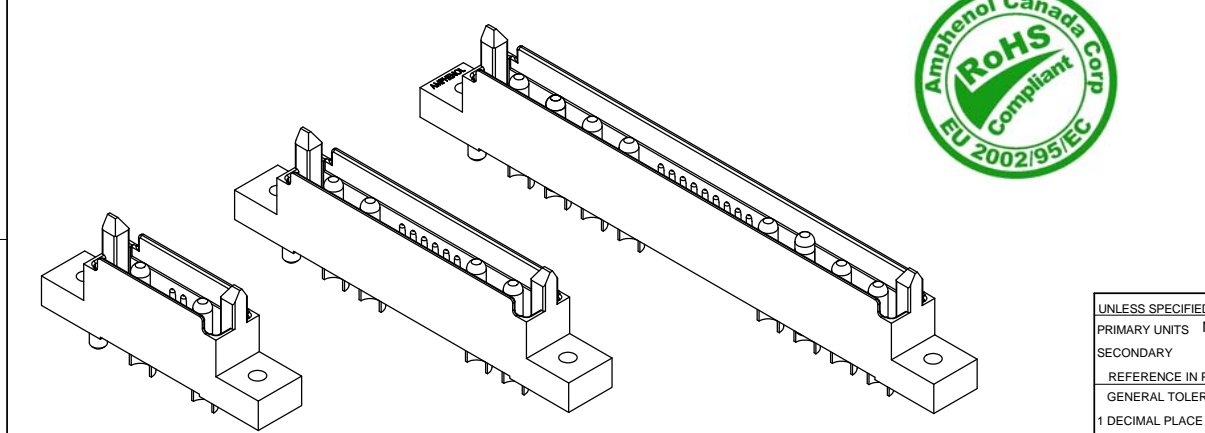
DWR SERIES SLIM DRAWER PIN CONNECTOR, PIN & SIGNAL CONTACTS, SOLDER CUP TAILS (POWER: 8 AWG, SIGNAL: 20 AWG), RoHS COMPLIANT

DWG. NO. **P-DWR-TXXXP-VX1X-0X** REV **C**

CODE ID NO. 03554 | DWG SIZE: C | SCALE: 2:1 | SHEET 1 OF 2

| Pin Connector Part number | Number of Power Contacts | Number of Signal Contacts | "A"            |       | "B"                       |       | "C"                          |       | "D"             |       | "E"                       |       | "F"                      |       | "G"                        |       |
|---------------------------|--------------------------|---------------------------|----------------|-------|---------------------------|-------|------------------------------|-------|-----------------|-------|---------------------------|-------|--------------------------|-------|----------------------------|-------|
|                           |                          |                           | Overall Length |       | Mounting Hole Centrelines |       | Length Without Mounting Ears |       | Pin Body Length |       | Outside Power Centrelines |       | Inside Power Centrelines |       | Outside Signal Centrelines |       |
|                           |                          |                           | mm             | inch  | mm                        | inch  | mm                           | inch  | mm              | inch  | mm                        | inch  | mm                       | inch  | mm                         | inch  |
| DWR-T200P-VXXX-XX         | 2                        | 0                         | 47.70          | 1.878 | 36.53                     | 1.438 | 29.75                        | 1.171 | 26.57           | 1.046 | 9.14                      | 0.360 | 9.14                     | 0.360 | ---                        | ---   |
| DWR-T204P-VXXX-XX         | 2                        | 4                         | 54.10          | 2.130 | 42.93                     | 1.690 | 36.15                        | 1.423 | 32.97           | 1.298 | 15.54                     | 0.612 | 15.54                    | 0.612 | 2.74                       | 0.108 |
| DWR-T208P-VXXX-XX         | 2                        | 8                         | 59.59          | 2.346 | 48.41                     | 1.906 | 41.63                        | 1.639 | 38.46           | 1.514 | 21.03                     | 0.828 | 21.03                    | 0.828 | 8.23                       | 0.324 |
| DWR-T212P-VXXX-XX         | 2                        | 12                        | 65.07          | 2.562 | 53.90                     | 2.122 | 47.12                        | 1.855 | 43.94           | 1.730 | 26.52                     | 1.044 | 26.52                    | 1.044 | 13.72                      | 0.540 |
| DWR-T216P-VXXX-XX         | 2                        | 16                        | 70.56          | 2.778 | 59.39                     | 2.338 | 52.61                        | 2.071 | 49.43           | 1.946 | 32.00                     | 1.260 | 32.00                    | 1.260 | 19.20                      | 0.756 |
| DWR-T220P-VXXX-XX         | 2                        | 20                        | 76.05          | 2.994 | 64.87                     | 2.554 | 58.09                        | 2.287 | 54.91           | 2.162 | 37.49                     | 1.476 | 37.49                    | 1.476 | 24.69                      | 0.972 |
| DWR-T224P-VXXX-XX         | 2                        | 24                        | 81.53          | 3.210 | 70.36                     | 2.770 | 63.58                        | 2.503 | 60.40           | 2.378 | 42.98                     | 1.692 | 42.98                    | 1.692 | 30.18                      | 1.188 |
| DWR-T228P-VXXX-XX         | 2                        | 28                        | 87.02          | 3.426 | 75.84                     | 2.986 | 69.06                        | 2.719 | 65.89           | 2.594 | 48.46                     | 1.908 | 48.46                    | 1.908 | 35.66                      | 1.404 |
| DWR-T232P-VXXX-XX         | 2                        | 32                        | 92.51          | 3.642 | 81.33                     | 3.202 | 74.55                        | 2.935 | 71.37           | 2.810 | 53.95                     | 2.124 | 53.95                    | 2.124 | 41.15                      | 1.620 |
| DWR-T236P-VXXX-XX         | 2                        | 36                        | 97.99          | 3.858 | 86.82                     | 3.418 | 80.04                        | 3.151 | 76.86           | 3.026 | 59.44                     | 2.340 | 59.44                    | 2.340 | 46.63                      | 1.836 |
| DWR-T240P-VXXX-XX         | 2                        | 40                        | 103.48         | 4.074 | 92.30                     | 3.634 | 85.52                        | 3.367 | 82.35           | 3.242 | 64.92                     | 2.556 | 64.92                    | 2.556 | 52.12                      | 2.052 |
| DWR-T400P-VXXX-XX         | 4                        | 0                         | 65.99          | 2.598 | 54.81                     | 2.158 | 48.03                        | 1.891 | 44.86           | 1.766 | 27.43                     | 1.080 | 9.14                     | 0.360 | ---                        | ---   |
| DWR-T404P-VXXX-XX         | 4                        | 4                         | 72.39          | 2.850 | 61.21                     | 2.410 | 54.43                        | 2.143 | 51.26           | 2.018 | 33.83                     | 1.332 | 15.54                    | 0.612 | 2.74                       | 0.108 |
| DWR-T408P-VXXX-XX         | 4                        | 8                         | 77.88          | 3.066 | 66.70                     | 2.626 | 59.92                        | 2.359 | 56.74           | 2.234 | 39.32                     | 1.548 | 21.03                    | 0.828 | 8.23                       | 0.324 |
| DWR-T412P-VXXX-XX         | 4                        | 12                        | 83.36          | 3.282 | 72.19                     | 2.842 | 65.41                        | 2.575 | 62.23           | 2.450 | 44.81                     | 1.764 | 26.52                    | 1.044 | 13.72                      | 0.540 |
| DWR-T416P-VXXX-XX         | 4                        | 16                        | 88.85          | 3.498 | 77.67                     | 3.058 | 70.89                        | 2.791 | 67.72           | 2.666 | 50.29                     | 1.980 | 32.00                    | 1.260 | 19.20                      | 0.756 |
| DWR-T420P-VXXX-XX         | 4                        | 20                        | 94.34          | 3.714 | 83.16                     | 3.274 | 76.38                        | 3.007 | 73.20           | 2.882 | 55.78                     | 2.196 | 37.49                    | 1.476 | 24.69                      | 0.972 |
| DWR-T424P-VXXX-XX         | 4                        | 24                        | 99.82          | 3.930 | 88.65                     | 3.490 | 81.87                        | 3.223 | 78.69           | 3.098 | 61.26                     | 2.412 | 42.98                    | 1.692 | 30.18                      | 1.188 |
| DWR-T428P-VXXX-XX         | 4                        | 28                        | 105.31         | 4.146 | 94.13                     | 3.706 | 87.35                        | 3.439 | 84.18           | 3.314 | 66.75                     | 2.628 | 48.46                    | 1.908 | 35.66                      | 1.404 |
| DWR-T432P-VXXX-XX         | 4                        | 32                        | 110.79         | 4.362 | 99.62                     | 3.922 | 92.84                        | 3.655 | 89.66           | 3.530 | 72.24                     | 2.844 | 53.95                    | 2.124 | 41.15                      | 1.620 |
| DWR-T436P-VXXX-XX         | 4                        | 36                        | 116.28         | 4.578 | 105.11                    | 4.138 | 98.33                        | 3.871 | 95.15           | 3.746 | 77.72                     | 3.060 | 59.44                    | 2.340 | 46.63                      | 1.836 |
| DWR-T440P-VXXX-XX         | 4                        | 40                        | 121.77         | 4.794 | 110.59                    | 4.354 | 103.81                       | 4.087 | 100.63          | 3.962 | 83.21                     | 3.276 | 64.92                    | 2.556 | 52.12                      | 2.052 |
| DWR-T600P-VXXX-XX         | 6                        | 0                         | 84.28          | 3.318 | 73.10                     | 2.878 | 66.32                        | 2.611 | 63.14           | 2.486 | 45.72                     | 1.800 | 9.14                     | 0.360 | ---                        | ---   |
| DWR-T604P-VXXX-XX         | 6                        | 4                         | 90.68          | 3.570 | 79.50                     | 3.130 | 72.72                        | 2.863 | 69.55           | 2.738 | 52.12                     | 2.052 | 15.54                    | 0.612 | 2.74                       | 0.108 |
| DWR-T608P-VXXX-XX         | 6                        | 8                         | 96.16          | 3.786 | 84.99                     | 3.346 | 78.21                        | 3.079 | 75.03           | 2.954 | 57.61                     | 2.268 | 21.03                    | 0.828 | 8.23                       | 0.324 |
| DWR-T612P-VXXX-XX         | 6                        | 12                        | 101.65         | 4.002 | 90.47                     | 3.562 | 83.69                        | 3.295 | 80.52           | 3.170 | 63.09                     | 2.484 | 26.52                    | 1.044 | 13.72                      | 0.540 |
| DWR-T616P-VXXX-XX         | 6                        | 16                        | 107.14         | 4.218 | 95.96                     | 3.778 | 89.18                        | 3.511 | 86.00           | 3.386 | 68.58                     | 2.700 | 32.00                    | 1.260 | 19.20                      | 0.756 |
| DWR-T620P-VXXX-XX         | 6                        | 20                        | 112.62         | 4.434 | 101.45                    | 3.994 | 94.67                        | 3.727 | 91.49           | 3.602 | 74.07                     | 2.916 | 37.49                    | 1.476 | 24.69                      | 0.972 |
| DWR-T624P-VXXX-XX         | 6                        | 24                        | 118.11         | 4.650 | 106.93                    | 4.210 | 100.15                       | 3.943 | 96.98           | 3.818 | 79.55                     | 3.132 | 42.98                    | 1.692 | 30.18                      | 1.188 |
| DWR-T628P-VXXX-XX         | 6                        | 28                        | 123.60         | 4.866 | 112.42                    | 4.426 | 105.64                       | 4.159 | 102.46          | 4.034 | 85.04                     | 3.348 | 48.46                    | 1.908 | 35.66                      | 1.404 |
| DWR-T632P-VXXX-XX         | 6                        | 32                        | 129.08         | 5.082 | 117.91                    | 4.642 | 111.13                       | 4.375 | 107.95          | 4.250 | 90.53                     | 3.564 | 53.95                    | 2.124 | 41.15                      | 1.620 |
| DWR-T636P-VXXX-XX         | 6                        | 36                        | 134.57         | 5.298 | 123.39                    | 4.858 | 116.61                       | 4.591 | 113.44          | 4.466 | 96.01                     | 3.780 | 59.44                    | 2.340 | 46.63                      | 1.836 |
| DWR-T640P-VXXX-XX         | 6                        | 40                        | 140.06         | 5.514 | 128.88                    | 5.074 | 122.10                       | 4.807 | 118.92          | 4.682 | 101.50                    | 3.996 | 64.92                    | 2.556 | 52.12                      | 2.052 |
| DWR-T800P-VXXX-XX         | 8                        | 0                         | 102.57         | 4.038 | 91.39                     | 3.598 | 84.61                        | 3.331 | 81.43           | 3.206 | 64.01                     | 2.520 | 9.14                     | 0.360 | ---                        | ---   |
| DWR-T804P-VXXX-XX         | 8                        | 4                         | 108.97         | 4.290 | 97.79                     | 3.850 | 91.01                        | 3.583 | 87.83           | 3.458 | 70.41                     | 2.772 | 15.54                    | 0.612 | 2.74                       | 0.108 |
| DWR-T808P-VXXX-XX         | 8                        | 8                         | 114.45         | 4.506 | 103.28                    | 4.066 | 96.50                        | 3.799 | 93.32           | 3.674 | 75.90                     | 2.988 | 21.03                    | 0.828 | 8.23                       | 0.324 |
| DWR-T812P-VXXX-XX         | 8                        | 12                        | 119.94         | 4.722 | 108.76                    | 4.282 | 101.98                       | 4.015 | 98.81           | 3.890 | 81.38                     | 3.204 | 26.52                    | 1.044 | 13.72                      | 0.540 |
| DWR-T816P-VXXX-XX         | 8                        | 16                        | 125.43         | 4.938 | 114.25                    | 4.498 | 107.47                       | 4.231 | 104.29          | 4.106 | 86.87                     | 3.420 | 32.00                    | 1.260 | 19.20                      | 0.756 |
| DWR-T820P-VXXX-XX         | 8                        | 20                        | 130.91         | 5.154 | 119.74                    | 4.714 | 112.96                       | 4.447 | 109.78          | 4.322 | 92.35                     | 3.636 | 37.49                    | 1.476 | 24.69                      | 0.972 |
| DWR-T824P-VXXX-XX         | 8                        | 24                        | 136.40         | 5.370 | 125.22                    | 4.930 | 118.44                       | 4.663 | 115.27          | 4.538 | 97.84                     | 3.852 | 42.98                    | 1.692 | 30.18                      | 1.188 |
| DWR-T828P-VXXX-XX         | 8                        | 28                        | 141.88         | 5.586 | 130.71                    | 5.146 | 123.93                       | 4.879 | 120.75          | 4.754 | 103.33                    | 4.068 | 48.46                    | 1.908 | 35.66                      | 1.404 |
| DWR-T832P-VXXX-XX         | 8                        | 32                        | 147.37         | 5.802 | 136.19                    | 5.362 | 129.41                       | 5.095 | 126.24          | 4.970 | 108.81                    | 4.284 | 53.95                    | 2.124 | 41.15                      | 1.620 |
| DWR-T836P-VXXX-XX         | 8                        | 36                        | 152.86         | 6.018 | 141.68                    | 5.578 | 134.90                       | 5.311 | 131.72          | 5.186 | 114.30                    | 4.500 | 59.44                    | 2.340 | 46.63                      | 1.836 |
| DWR-T840P-VXXX-XX         | 8                        | 40                        | 158.34         | 6.234 | 147.17                    | 5.794 | 140.39                       | 5.527 | 137.21          | 5.402 | 119.79                    | 4.716 | 64.92                    | 2.556 | 52.12                      | 2.052 |

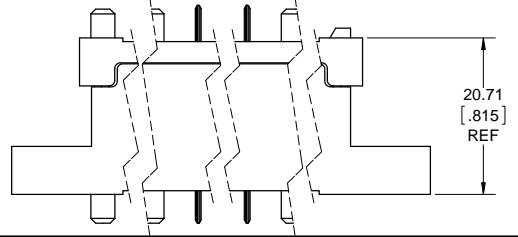
FOR INTERMEDIATE CONFIGURATIONS (NUMBER OF SIGNAL CONTACTS = 06, 10, 14, ...) DIMENSIONS CAN BE CALCULATED BY AVERAGING VALUES IMMEDIATELY BEFORE AND AFTER. FOR EXAMPLE, DIMENSIONS OF DWR-T206P-VXXX-XX CAN BE OBTAINED BY AVERAGING VALUES CORRESPONDING TO DWR-T204P-VXXX-XX AND DWR-T208P-VXXX-XX.



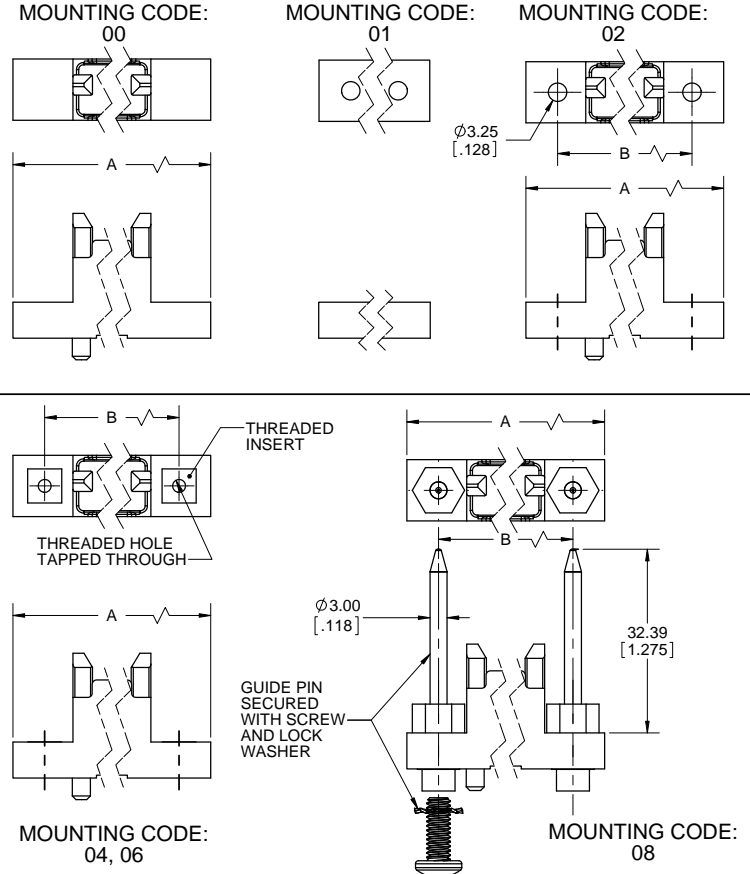
THIS DOCUMENT CONTAINS PROPRIETARY INFORMATION AND SUCH INFORMATION MAY NOT BE DISCLOSED TO OTHERS FOR ANY PURPOSE OR USED FOR MANUFACTURING PURPOSES WITHOUT WRITTEN PERMISSION FROM AMPHENOL CANADA CORP.

| REVISIONS |                              |          |       |
|-----------|------------------------------|----------|-------|
| REV       | DESCRIPTION, ECN, EAR NO.    | DATE     | APP'D |
| A         | PROPOSAL DRAWING             | APR11/11 | A.G   |
| B         | GUIDE PIN UPDATE (EAR14097)  | JUN19/12 | S.M.  |
| C         | REMOVE 10 PWR CONTACT OPTION | JUL12/12 | S.M.  |

**PIN AND SOCKET MATED ASSEMBLY**



**MOUNTING OPTIONS**



|                            |                        |           |          |
|----------------------------|------------------------|-----------|----------|
| UNLESS SPECIFIED OTHERWISE | DRAWN                  | S.CAELERS | APR06/11 |
| PRIMARY UNITS MILLIMETERS  | CHECKED                | A.GREEN   | APR11/11 |
| SECONDARY UNITS INCHES     | M.E. APP'D             |           |          |
| REFERENCE IN PARENTHESES   | Q.A. APP'D             |           |          |
| GENERAL TOLERANCES         | DWG APPR.              |           |          |
| 1 DECIMAL PLACE            | ENG. REL. NO.          |           |          |
| 2 DECIMAL PLACES           | REF.                   |           |          |
| 3 DECIMAL PLACES           | THIRD ANGLE PROJECTION |           |          |
| ANGULAR DEGREES            | DO NOT SCALE DRAWING   |           |          |

**Amphenol Canada Corp.**

DWR SERIES SLIM DRAWER PIN CONNECTOR, PIN & SIGNAL CONTACTS, SOLDER CUP TAILS (POWER: 8 AWG, SIGNAL: 20 AWG), RoHS COMPLIANT

DWG. NO. **P-DWR-TXXXP-VX1X-0X** REV **C**

CODE ID NO. 03554 DWG SIZE: C SCALE: 2:1 SHEET 2 OF 2

Компания «Океан Электроники» предлагает заключение долгосрочных отношений при поставках импортных электронных компонентов на взаимовыгодных условиях!

Наши преимущества:

- Поставка оригинальных импортных электронных компонентов напрямую с производств Америки, Европы и Азии, а так же с крупнейших складов мира;
- Широкая линейка поставок активных и пассивных импортных электронных компонентов (более 30 млн. наименований);
- Поставка сложных, дефицитных, либо снятых с производства позиций;
- Оперативные сроки поставки под заказ (от 5 рабочих дней);
- Экспресс доставка в любую точку России;
- Помощь Конструкторского Отдела и консультации квалифицированных инженеров;
- Техническая поддержка проекта, помощь в подборе аналогов, поставка прототипов;
- Поставка электронных компонентов под контролем ВП;
- Система менеджмента качества сертифицирована по Международному стандарту ISO 9001;
- При необходимости вся продукция военного и аэрокосмического назначения проходит испытания и сертификацию в лаборатории (по согласованию с заказчиком);
- Поставка специализированных компонентов военного и аэрокосмического уровня качества (Xilinx, Altera, Analog Devices, Intersil, Interpoint, Microsemi, Actel, Aeroflex, Peregrine, VPT, Syfer, Eurofarad, Texas Instruments, MS Kennedy, Miteq, Cobham, E2V, MA-COM, Hittite, Mini-Circuits, General Dynamics и др.);

Компания «Океан Электроники» является официальным дистрибьютором и эксклюзивным представителем в России одного из крупнейших производителей разъемов военного и аэрокосмического назначения «JONHON», а так же официальным дистрибьютором и эксклюзивным представителем в России производителя высокотехнологичных и надежных решений для передачи СВЧ сигналов «FORSTAR».



## JONHON

«JONHON» (основан в 1970 г.)

Разъемы специального, военного и аэрокосмического назначения:

(Применяются в военной, авиационной, аэрокосмической, морской, железнодорожной, горно- и нефтедобывающей отраслях промышленности)

«FORSTAR» (основан в 1998 г.)

ВЧ соединители, коаксиальные кабели,  
кабельные сборки и микроволновые компоненты:

(Применяются в телекоммуникациях гражданского и специального назначения, в средствах связи, РЛС, а так же военной, авиационной и аэрокосмической отраслях промышленности).



Телефон: 8 (812) 309-75-97 (многоканальный)

Факс: 8 (812) 320-03-32

Электронная почта: [ocean@oceanchips.ru](mailto:ocean@oceanchips.ru)

Web: <http://oceanchips.ru/>

Адрес: 198099, г. Санкт-Петербург, ул. Калинина, д. 2, корп. 4, лит. А