

**Devices Connected/Referenced**

<a href="#">ADAU1761</a>	SigmaDSP® Stereo, Low Power, 96 kHz, 24-Bit Audio Codec with Integrated PLL
<a href="#">SSM2518</a>	Digital Input Stereo, 2 W, Class-D Audio Power Amplifier

## Low Cost, High Performance Sound Bar System

### EVALUATION AND DESIGN SUPPORT

#### Circuit Evaluation Boards

[CN-0296 Circuit Evaluation Board \(EVAL-CN0296-SDPZ\)](#)  
[System Demonstration Platform \(EVAL-SDP-CB1Z\)](#)

#### Design and Integration Files

[Schematics, Layout Files, Bill of Materials](#)

### CIRCUIT FUNCTION AND BENEFITS

The circuit shown in Figure 1 is a low cost, high performance sound bar system that can accept an analog stereo audio signal as an input and can output up to eight channels of audio with discrete processing on each channel. The circuit is ideal for small docking stations and portable media devices. The circuit offers low power consumption and high efficiency operation without sacrificing audio quality. The circuit is also capable of driving headphones without the need of additional components.

The [ADAU1761](#) is a low power, stereo audio codec with integrated digital audio processing, also called SigmaDSP®. It has two ADCs to accept two audio channels and can apply digital processing with the integrated SigmaDSP® core.

SigmaDSP processors are optimized for audio applications and programmed using SigmaStudio development software for ease of use and faster development. The output of the [ADAU1761](#) can send up to eight channels of digital audio data to the output amplifiers using the serial interface. The [ADAU1761](#) allows different audio signal processing in each channel, such as volume control, custom equalization, filtering, and spatialization effects tuned to the specific speaker configuration. The [ADAU1761](#) processes and converts analog audio to digital format and drives the [SSM2518](#) power amplifier.

The [SSM2518](#) is a digital input class-D audio power amplifier that can output two channels of audio with a continuous power of 2 watts each into a 4 Ω load. The channel-mapping feature of the [SSM2518](#) allows it to select the specific channel to output among those that are available in the interface. This makes it ideal for surround sound applications.

### CIRCUIT DESCRIPTION

The circuit has two main blocks. First is the audio input and processing block, which is made of the [ADAU1761](#). Second is the output amplifier stage, which is composed of the [SSM2518](#).

#### Audio Input and Processing

The input path of the [ADAU1761](#) can accept two channels of single ended or differential audio simultaneously. The inputs are sent to the DSP core of the [ADAU1761](#) for processing. Audio signal path and processing algorithms are created using Analog Devices SigmaStudio software. The built-in libraries in SigmaStudio allow different processing blocks to be added to the signal flow. Once programmed, the different blocks, such as volume control, equalizers and filters, are fully user-controllable. The software speeds development time; allowing designers to quickly test and debug their algorithms and configurations in an easy-to-use graphical interface.

#### Class-D Output Amplifier

The [SSM2518](#) class-D audio power amplifier receives the serial data, performs the digital-to-analog conversion, and drives the loudspeakers. Each [SSM2518](#) is capable of driving two channels with a continuous power of 2 watts each into 4-ohm speakers. The circuit makes use of four [SSM2518](#)s and can output eight channels of audio. The channel mapping feature allows each [SSM2518](#) to output two channels from the interface. With this feature, each [SSM2518](#) can output different channels.

#### Rev. 0

Circuits from the Lab™ circuits from Analog Devices have been designed and built by Analog Devices engineers. Standard engineering practices have been employed in the design and construction of each circuit, and their function and performance have been tested and verified in a lab environment at room temperature. However, you are solely responsible for testing the circuit and determining its suitability and applicability for your use and application. Accordingly, in no event shall Analog Devices be liable for direct, indirect, special, incidental, consequential or punitive damages due to any cause whatsoever connected to the use of any Circuits from the Lab circuits. (Continued on last page)

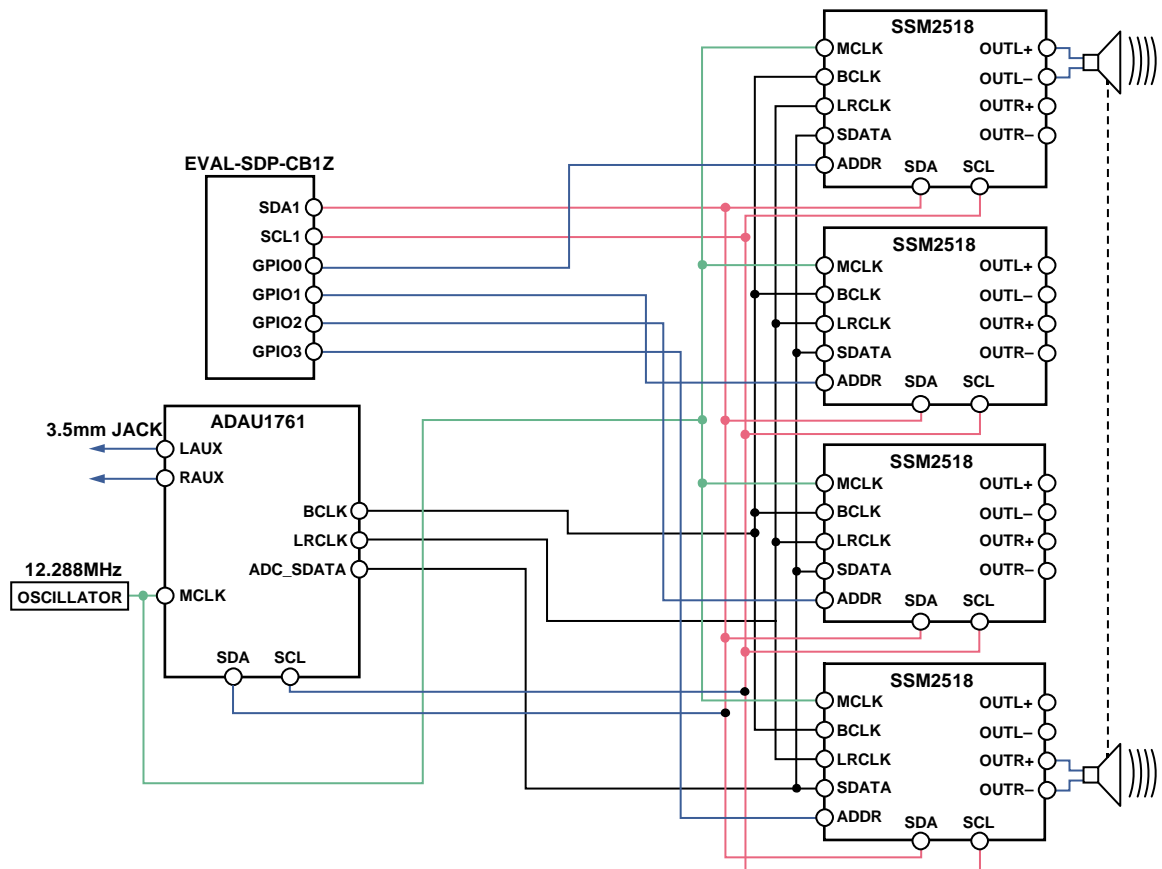


Figure 1. Sound Bar System Using ADAU1761 and SSM2518 (Simplified Schematic: All Connections and Decoupling Not Shown)

### I<sup>2</sup>C Access and Configuration Registers

The ADAU1761 and SSM2518 both have internal registers that need to be configured for proper operation. A microcontroller or a host configures the registers of the devices using the I<sup>2</sup>C interface. The SSM2518 has an address pin that allows only two devices to have a unique address on the I<sup>2</sup>C bus. The four SSM2518 devices are configured by driving the ADDR pin of the one device HIGH while keeping the other three at a LOW level or keeping one LOW while the others are HIGH. The device with the unique address can now communicate with the bus and be configured. The process is repeated for the other three devices. The address control can be performed by a system controller that controls the logic level of the address pins.

### Serial Data Interface

The serial data interface transmits audio using I<sup>2</sup>S or TDM compatible data streams. The signals that are transmitted are the bit clock (BCLK), frame clock (LRCLK), and the data (SDATA). The ADAU1761 is configured as the master, making it the source of the BCLK, LRCLK and SDATA sent to the SSM2518. For proper operation, the devices must have synchronized master clocks, MCLK. Typically, a 12.288 MHz crystal oscillator is used as the master clock. The on-chip frequency multiplier/divider of the ADAU1761 and SSM2518 can generate their required internal clocks. Special layout precautions must be observed with the clock and signal lines. The input capacitance of the ADAU1761

and SSM2518 must be taken into account to maintain clock and signal integrity. Buffers may be needed to avoid loading effects.

The serial data signals can be configured as I<sup>2</sup>S, TDM-4, or TDM-8 to carry two, four, or eight audio channels in each audio frame, respectively.

### Output Noise Voltage and Signal-to-Noise Ratio Performance

To measure output noise voltage, connect the inputs to ground or terminate them with the proper impedance, and measure the output voltage at the amplifier outputs. The voltage measurement is done over a bandwidth of 22 Hz to 22 kHz with an A-weighting filter. The average noise measured on all eight channels is 66  $\mu$ V rms. The signal-to-noise ratio referenced to a 2 W output and a 4  $\Omega$  load is greater than 90 dB for all channels.

### Output Power and Distortion Performance

Output power and THN+N is measured by applying a pure tone as an input and taking measurements at the output of the amplifiers using an audio analyzer. Using a 1 kHz sine wave as the input, the circuit provides good performance by having a less than 1% THD+N at the rated output power of 2 W as shown in Figure 2.

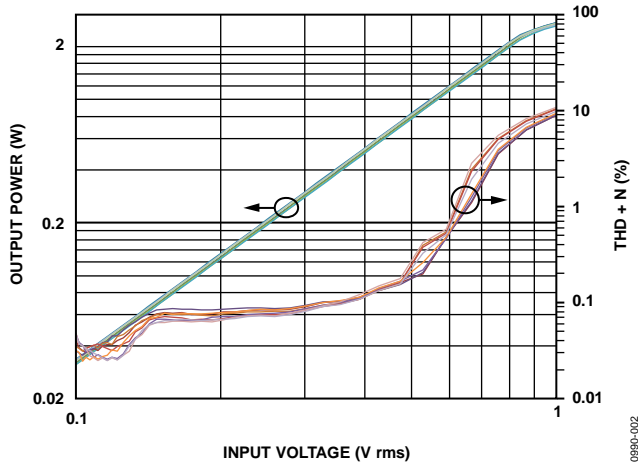


Figure 2. Output Power and THD+N vs. Input Voltage

**Frequency Response Performance**

Frequency response is measured by applying a pure sine wave to the input at a fixed voltage level, while the frequency is swept across the audio spectrum of 20 Hz to 20 kHz. The voltage is measured at the output and is compared to the 1 kHz reference level. Output power is set to 2 W at 1 kHz. The data shows that the change in the output at different frequencies is less than  $\pm 0.5$  dB. The THD+N is also less than 1% across the spectrum, as shown in Figure 3.

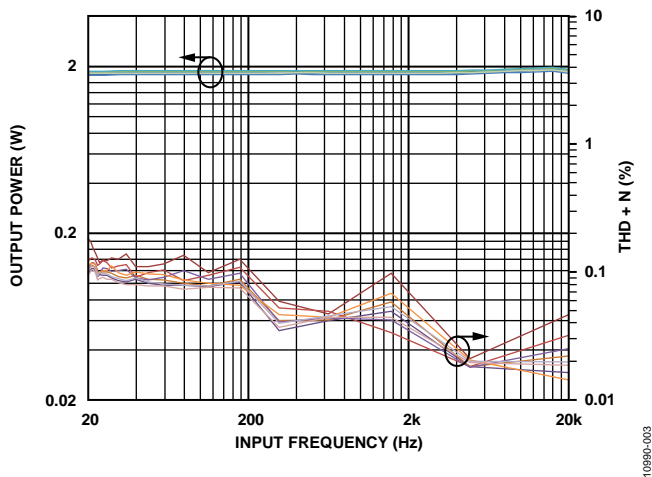


Figure 3. Output Power and THD+N vs. Input Frequency

**COMMON VARIATIONS**

This circuit can also be set up with other SigmaDSP processors with I<sup>2</sup>S/serial data ports with support for TDM. Devices such as the AD1940, AD1941, ADAU1401A, ADAU144x, and ADAU170x families can be used instead of the ADAU1761, depending on the application and requirements of the user. The parts all have support for serial data output and 8-channel TDM, but differ in memory size, processing power, and input/output interfaces. The ADAU1461 is functionally identical to the ADAU1761, but is qualified for automotive applications.

The ADAU1761 can also accept analog differential audio signals for processing and output them to the amplifier. The circuit can

be modified if the user only requires two or four channels by removing the other SSM2518 devices and changing the register configurations. The SSM2519 and SSM2529 can be used in place of the SSM2518. Both are also digital input Class-D amplifiers with TDM support, but have only one output channel per device.

**CIRCUIT EVALUATION AND TEST**

**Equipment Required**

CN-0296 Circuit Evaluation Board (EVAL-CN0296-SDPZ)  
System Demonstration Platform (EVAL-SDP-CB1Z)

5 V @ 4 A dc power supply

PC (Windows 32-bit or 64-bit)

Audio Precision SYS-2722 Audio Analyzer or Equivalent

Audio Precision AUX-0025 Filter or Equivalent

Audio Precision AP2700 Control Software

4  $\Omega$ /8  $\Omega$  speakers or dummy loads

**Software Installation**

The CN0296 evaluation kit includes self-installing software on a CD. The software is compatible with Windows XP (SP2), Vista (32-bit and 64-bit) and Windows 7 (32-bit and 64-bit). If the setup file does not run automatically, run the setup.exe file from the CD.

Install the evaluation software before connecting the evaluation board and SDP board to the USB port of the PC to ensure that the evaluation system is recognized when connected to the PC. The software allows full configuration of the serial interface. It is important that the configurations of the master and slaves match for proper operation.

**Power Supply Requirements**

The evaluation board needs to be powered by a 5 V dc power supply. It is recommended that it should be able to provide at least 4 A to ensure all eight channels can output their rated power. LDOs in the evaluation boards are used to provide the necessary supplies to the components.

**Functional Diagram**

A functional diagram of the test setup is shown in Figure 4. The test setup should be connected as shown.

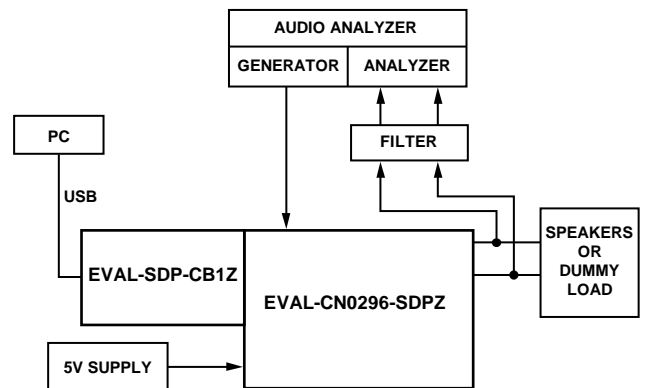


Figure 4. Sound Bar Test Setup Device Configuration

Proper operation requires the configuration shown in Table 1. Run the evaluation software and click the **Connect** button in the software GUI to establish connection with the SDP. Click the **Play Soundbar** button to download the configuration data to the device. This configuration loads stereo data to the eight channels as follows:

**Table 1. Configuration for the Eight Channels**

Pin	TDM Channel	Stereo Data
OUTR1	Channel 0	Right Surround
OUTR1	Channel 1	Right Front
OUTR2	Channel 2	Subwoofer
OUTR2	Channel 3	Subwoofer
OUTR3	Channel 4	Center
OUTR3	Channel 5	Center
OUTR4	Channel 6	Left Front
OUTR4	Channel 7	Left Surround

The software allows the user to enable or disable some sound effects that are available in the SigmaStudio library for the ADAU1761. The corresponding parameters for these effects are also found in the front panel. There is a master volume control as well as bass and treble control; these controls affect the output even if there is a sound effect that is enabled. Enabling the test tone outputs a 1 kHz tone and mutes the analog input. Individual mute controls for each channel are also available.

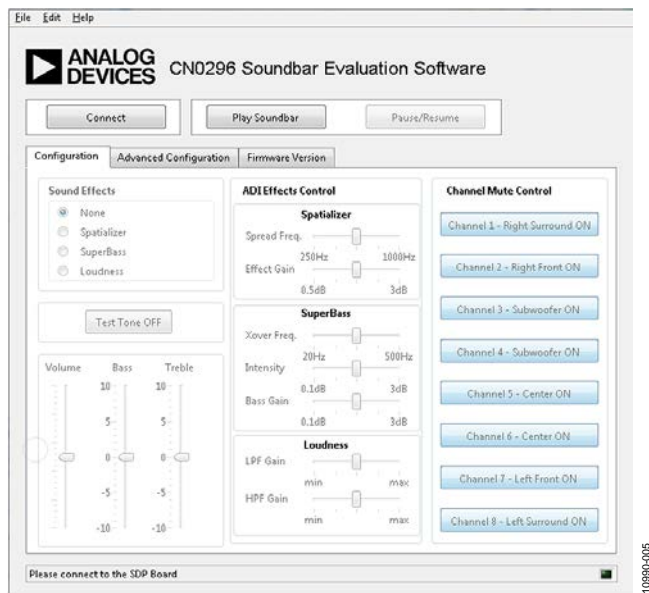


Figure 5. Software Window

## LEARN MORE

CN-0296 Design Support Package:

<http://www.analog.com/CN0296-DesignSupport>

Eric Gaalaas, “Class D Audio Amplifiers: What, Why, and How,” Analog Dialogue, 40-06, June 2006.

SigmaDSP® processors

Sigmastudio™ Graphical Development Tool

SigmaStudio and SigmaDSP Documentation

## Data Sheets and Evaluation Boards

[ADAU1761 Data Sheet](#)

[ADAU1761 Evaluation Board](#)

[SSM2518 Data Sheet](#)

## REVISION HISTORY

05/2013—Revision 0: Initial Version

(Continued from first page) Circuits from the Lab circuits are intended only for use with Analog Devices products and are the intellectual property of Analog Devices or its licensors. While you may use the Circuits from the Lab circuits in the design of your product, no other license is granted by implication or otherwise under any patents or other intellectual property by application or use of the Circuits from the Lab circuits. Information furnished by Analog Devices is believed to be accurate and reliable. However, Circuits from the Lab circuits are supplied "as is" and without warranties of any kind, express, implied, or statutory including, but not limited to, any implied warranty of merchantability, noninfringement or fitness for a particular purpose and no responsibility is assumed by Analog Devices for their use, nor for any infringements of patents or other rights of third parties that may result from their use. Analog Devices reserves the right to change any Circuits from the Lab circuits at any time without notice but is under no obligation to do so.

©2013 Analog Devices, Inc. All rights reserved. Trademarks and registered trademarks are the property of their respective owners.  
CN10990-0-5/13(0)



Компания «Океан Электроники» предлагает заключение долгосрочных отношений при поставках импортных электронных компонентов на взаимовыгодных условиях!

Наши преимущества:

- Поставка оригинальных импортных электронных компонентов напрямую с производств Америки, Европы и Азии, а так же с крупнейших складов мира;
- Широкая линейка поставок активных и пассивных импортных электронных компонентов (более 30 млн. наименований);
- Поставка сложных, дефицитных, либо снятых с производства позиций;
- Оперативные сроки поставки под заказ (от 5 рабочих дней);
- Экспресс доставка в любую точку России;
- Помощь Конструкторского Отдела и консультации квалифицированных инженеров;
- Техническая поддержка проекта, помощь в подборе аналогов, поставка прототипов;
- Поставка электронных компонентов под контролем ВП;
- Система менеджмента качества сертифицирована по Международному стандарту ISO 9001;
- При необходимости вся продукция военного и аэрокосмического назначения проходит испытания и сертификацию в лаборатории (по согласованию с заказчиком);
- Поставка специализированных компонентов военного и аэрокосмического уровня качества (Xilinx, Altera, Analog Devices, Intersil, Interpoint, Microsemi, Actel, Aeroflex, Peregrine, VPT, Syfer, Eurofarad, Texas Instruments, MS Kennedy, Miteq, Cobham, E2V, MA-COM, Hittite, Mini-Circuits, General Dynamics и др.);

Компания «Океан Электроники» является официальным дистрибьютором и эксклюзивным представителем в России одного из крупнейших производителей разъемов военного и аэрокосмического назначения «JONHON», а так же официальным дистрибьютором и эксклюзивным представителем в России производителя высокотехнологичных и надежных решений для передачи СВЧ сигналов «FORSTAR».



## JONHON

«JONHON» (основан в 1970 г.)

Разъемы специального, военного и аэрокосмического назначения:

(Применяются в военной, авиационной, аэрокосмической, морской, железнодорожной, горно- и нефтедобывающей отраслях промышленности)

«FORSTAR» (основан в 1998 г.)

ВЧ соединители, коаксиальные кабели, кабельные сборки и микроволновые компоненты:

(Применяются в телекоммуникациях гражданского и специального назначения, в средствах связи, РЛС, а так же военной, авиационной и аэрокосмической отраслях промышленности).



Телефон: 8 (812) 309-75-97 (многоканальный)

Факс: 8 (812) 320-03-32

Электронная почта: [ocean@oceanchips.ru](mailto:ocean@oceanchips.ru)

Web: <http://oceanchips.ru/>

Адрес: 198099, г. Санкт-Петербург, ул. Калинина, д. 2, корп. 4, лит. А