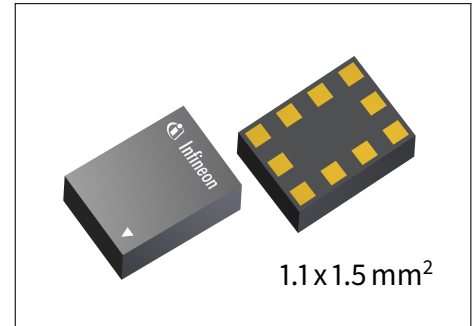


BGAU1A10

Low Noise Amplifier with Gain Control

Features

- Operating frequencies: 5.15 - 5.925 GHz
- Insertion power gain: 20.5 dB
- Gain dynamic range: 27 dB
- Low noise figure: 1.6 dB
- Low current consumption: 5.0 mA
- Multi-state control: Gain- and Bypass-Modes
- Small ATSLP leadless package



Application

The LTE data rate can be significantly improved by using the high gain LNA. The integrated gain control and bypass function increases the overall system dynamic range and leads to more flexibility in the front-end. In high gain mode the BGAU1A10 offers best Noise Figure to ensure high data rates even on the LTE cell edge. Closer to the basestation the bypass mode can be activated reducing current consumption. Thanks to the MIPI control interface, control lines are reduced to a minimum.

Product Validation

Qualified for industrial applications according to the relevant tests of JEDEC47/20/22.

Block diagram

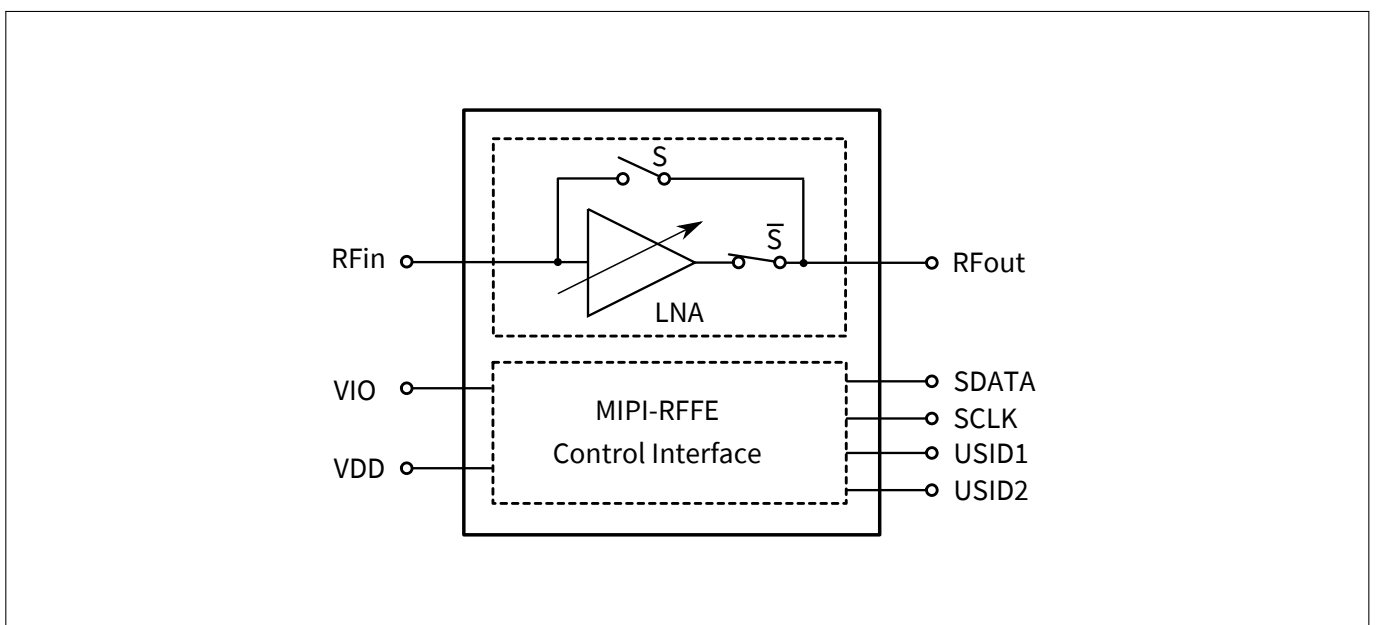


Table of Contents

Table of Contents	1
1 Maximum Ratings	2
2 DC Characteristics	3
3 RF Characteristics	3
4 MIPI RFFE Specification	6
5 Application Information	10
6 Package Information	12

Maximum Ratings

1 Maximum Ratings

Table 1: Maximum Ratings

Parameter	Symbol	Values			Unit	Note / Test Condition
		Min.	Typ.	Max.		
Supply Voltage VDD	V_{DD}	-0.3	–	2.5	V	¹
Voltage at RFin	V_{RFI}	-1	–	1	V	–
Voltage at RFout	V_{RFO}	-1	–	1	V	–
Current into pin VDD	I_{DD}	-30	–	–	mA	–
RF input power	P_{IN}	–	–	25	dBm	–
Total power dissipation	P_{tot}	–	–	90	mW	–
Junction temperature	T_J	–	–	150	°C	–
Ambient temperature range	T_A	-30	–	85	°C	–
Storage temperature range	T_{STG}	-55	–	150	°C	–
ESD capability, HBM	V_{ESD_HBM}	-1000	–	1000	V	²
RFFE Supply Voltage	V_{IO}	-0.5	–	2.7	V	–
RFFE Supply Voltage Levels	$V_{SCLK},$ V_{SDATA}	-0.7	–	$V_{IO} + 0.7$ (max. 2.7)	V	–

¹All voltages refer to GND-Nodes unless otherwise noted

²Human Body Model ANSI/ESDA/JEDEC JS-001-2014 ($R = 1.5\text{ k}\Omega, C = 100\text{ pF}$).

Attention: Stresses above the max. values listed here may cause permanent damage to the device. Maximum ratings are absolute ratings; exceeding only one of these values may cause irreversible damage to the integrated circuit. Exposure to conditions at or below absolute maximum rating but above the specified maximum operation conditions may affect device reliability and life time. Functionality of the device might not be given under these conditions.

BGAU1A10

Low Noise Amplifier with Gain Control

RF Characteristics

2 DC Characteristics

Table 3: DC Characteristics at $T_A = 25^\circ\text{C}$

Parameter ¹	Symbol	Values			Unit	Note / Test Condition
		Min.	Typ.	Max.		
Supply Voltage	V_{DD}	1.7	1.8	1.9	V	–
Supply Current	I_{DD}	3.0	5.0	7.0	mA	G0-G3
		–	0.1	0.15	mA	G4
RFFE supply voltage	V_{IO}	1.65	1.8	1.95	V	–
RFFE input high voltage ²	V_{IH}	$0.7 * V_{IO}$	–	V_{IO}	V	–
RFFE input low voltage ²	V_{IL}	0	–	$0.3 * V_{IO}$	V	–
RFFE output high voltage ³	V_{OH}	$0.8 * V_{IO}$	–	V_{IO}	V	–
RFFE output low voltage ³	V_{OL}	0	–	$0.2 * V_{IO}$	V	–
RFFE control input capacitance	C_{ctrl}	–	–	2	pF	–
RFFE supply current	I_{VIO}	–	3	–	μA	Idle State

¹Based on the application described in Chapter 5

²SCLK and SDATA

³SDATA

3 RF Characteristics

Table 4: RF Characteristics in ON Mode at $T_A = 25^\circ\text{C}$, $V_{DD} = 1.8\text{ V}$, $I_{VDD} = 5.0\text{ mA}$, $f = 5.15\text{--}5.925\text{ GHz}$

Parameter	Symbol	Values			Unit	Note / Test Condition
		Min.	Typ.	Max.		
Insertion power gain $f = 5500\text{ MHz}$	$1/ S_{21} ^2$	18.5	20.5	22.5	dB	G0
		15.5	17.5	19.5	dB	G1
		7.0	9.0	11.0	dB	G2
		-2.3	-0.3	1.7	dB	G3
		-5.0	-3.0	-1.0	dB	G3 in Bias0 mode
		-8.0	-6.5	-5.0	dB	G4
Noise figure $f = 5500\text{ MHz}$	NF	–	1.7	2.2	dB	G0
		–	1.7	2.2	dB	G1
		–	1.6	2.1	dB	G2
		–	9.9	10.9	dB	G3
		–	6.5	8.0	dB	G4

Continued on next page

RF Characteristics

Table 4: RF Characteristics – Continued from previous page

Parameter	Symbol	Values			Unit	Note / Test Condition
		Min.	Typ.	Max.		
Input Return Loss ¹ <i>f</i> = 5500 MHz	RL_{in}	4	7	–	dB	G0
		4	7	–	dB	G1
		10	20	–	dB	G2
		4	8	–	dB	G3
		6	10	–	dB	G4
Output Return Loss <i>f</i> = 5500 MHz	RL_{out}	10	18	–	dB	G0
		10	18	–	dB	G1
		4	7	–	dB	G2
		4	7	–	dB	G3
		7	12	–	dB	G4
Reverse Isolation <i>f</i> = 5500 MHz	$1/ S_{12} ^2$	28	33	–	dB	G0
		33	38	–	dB	G1
		24	29	–	dB	G2
		33	38	–	dB	G3
		5	6.5	–	dB	G4
Inband input 1dB-compression point <i>f</i> = 5500 MHz	IP_{1dB}	-22	-18	–	dBm	G0
		-21	-17	–	dBm	G1
		-10	-6	–	dBm	G2
		-1	+3	–	dBm	G3
Inband input 3 rd -order intercept point ²	$IIP3$	-13	-8	–	dBm	G0
		-13	-8	–	dBm	G1
		-7	-2	–	dBm	G2
		+1	+6	–	dBm	G3
		+25	+30	–	dBm	G4
Phase discontinuity between all Gain Mode combinations <i>f</i> = 5500 MHz		-12	–	12	°	Part to part variation after compensation in Base Band with constant value
Stability	<i>k</i>	> 1	–	–		<i>f</i> = 20 MHz - 10 GHz
MIPI to RF time	t_{INT}	–	1.5	2	µs	50 % last SCLK falling edge to 90 % ON, see Fig. 2
Power Up Settling Time	t_{BC}	–	10	25	µs	After power down mode

¹For broadband matching, can be improved by using narrowband matching

²Input power = -30 dBm for each tone for modes G0-G3 / -15 dBm for mode G4, $f_1 = 5500$ MHz, $f_2 = f_1 + 1$ MHz

BGAU1A10

Low Noise Amplifier with Gain Control

RF Characteristics

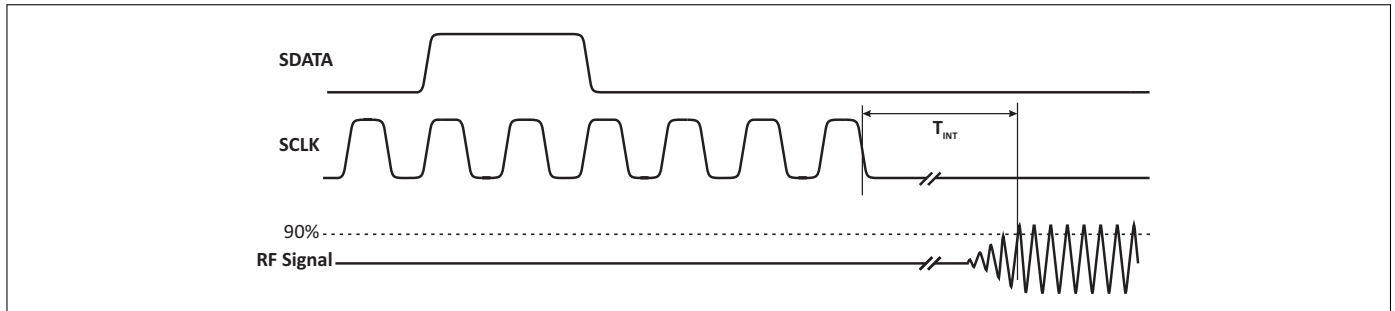


Figure 1: MIPI to RF Time

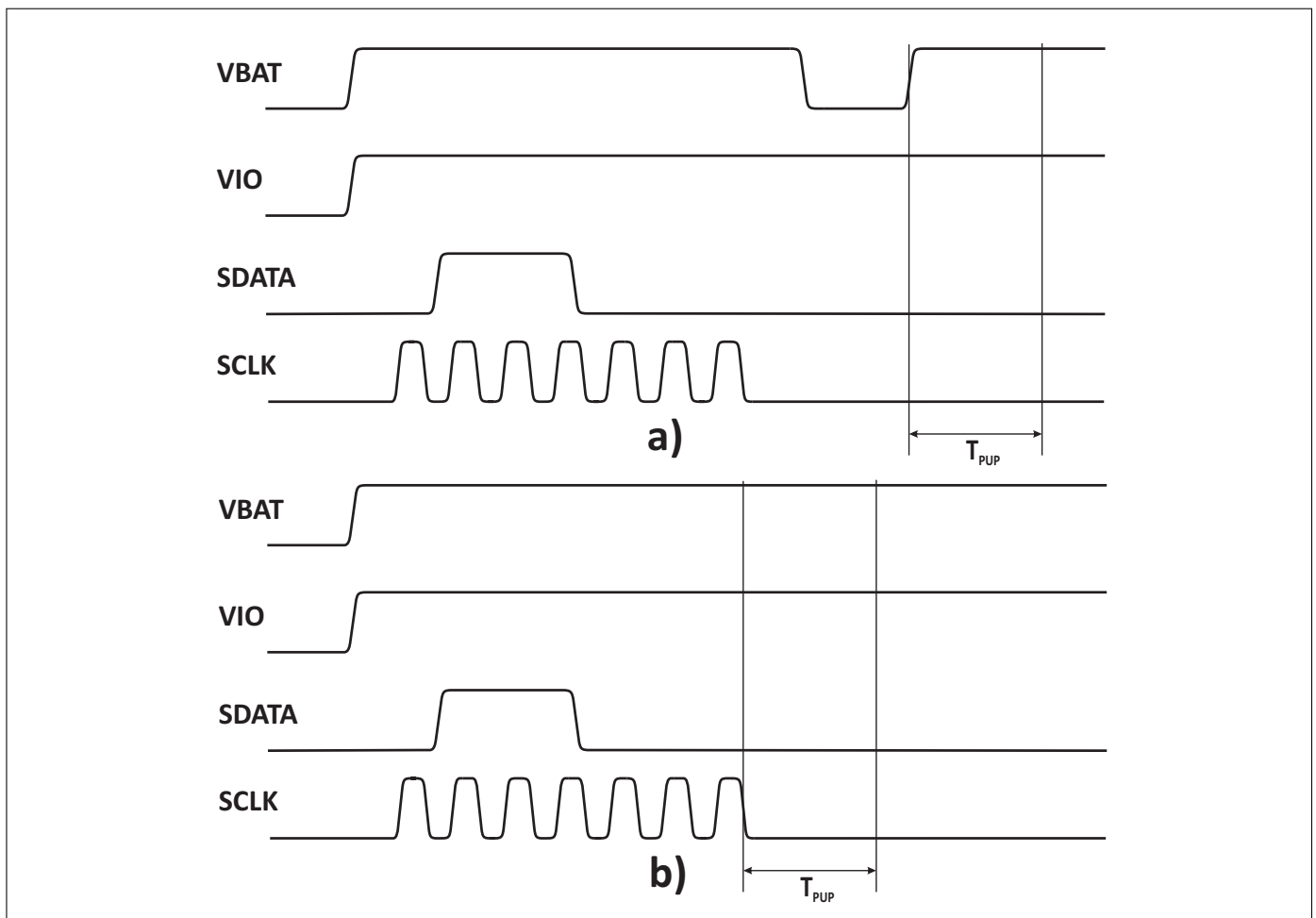


Figure 2: Power-Up Settling Time Definition: **a)** when the device is already in Active Mode. **b)** when changing from Low Power Mode to Active Mode.

After Power-Up of VIO the device is set to Low Power Mode. An additional MIPI instruction is necessary to set the device to Active Mode. This case is covered by **b)**.

BGAU1A10

Low Noise Amplifier with Gain Control

MIPI RFFE Specification

4 MIPI RFFE Specification

All sequences are implemented according to the 'MIPI Alliance Specification for RF Front-End Control Interface' document version 2.0 - 25. September 2014.

Table 5: MIPI Features

Feature	Supported	Comment
MIPI RFFE 2.0 standard	Yes	
Register 0 write command sequence	Yes	
Register read and write command sequence	Yes	
Extended register read and write command sequence	Yes	
Support for standard frequency range operations for SCLK	Yes	Up to 26 MHz for read and write
Support for extended frequency range operations for SCLK	Yes	Up to 52 MHz for write
Half speed read	Yes	
Full speed read	Yes	
Full speed write	Yes	
Programmable Group SID	Yes	
Programmable USID	Yes	Support for three registers write and extended write sequences
Trigger functionality	Yes	
Broadcast / GSID write to PM TRIG register	Yes	
Reset	Yes	Via VIO, PM TRIG or software register
Status / error sum register	Yes	
Extended product ID register	Yes	
Revision ID register	Yes	
Group SID register	Yes	
USID_Sel pin	Yes	External pin for changing USID: USID 12=00 → 1000, USID 12=10 → 1001, USID 12=01 → 1010, USID 12=11 → 1011
USID selection via SDATA / SCLK swap feature	No	

Table 6: Startup Behavior

Feature	State	Comment
Power status	Low power	Lower power mode after start-up
Trigger function	Enabled	Enabled after start-up. Programmable via behavior control register

BGAU1A10

Low Noise Amplifier with Gain Control



MIPI RFFE Specification

Table 7: Register Mapping, Table I

Register Address	Register Name	Data Bits	Function	Description	Default	Broadcast_ID Support	Trigger Support	R/W	
0x00	REGISTER_0	7:0	MODE_CTRL	LNA control	00000000	No	Yes	R/W	
0x1C	PM_TRIG	7	PWR_MODE(1), Operation Mode	0: Normal operation (ACTIVE)	1	Yes	No	R/W	
				1: Low Power Mode (LOW POWER)					
		6	PWR_MODE(0), State Bit Vector	0: No action (ACTIVE)	0				
				1: Powered Reset (STARTUP to ACTIVE to LOW POWER)					
		5	TRIGGER_MASK_2	0: Data masked (held in shadow REG)	0				No
				1: Data not masked (ready for transfer to active REG)					
		4	TRIGGER_MASK_1	0: Data masked (held in shadow REG)	0				
				1: Data not masked (ready for transfer to active REG)					
		3	TRIGGER_MASK_0	0: Data masked (held in shadow REG)	0				
1: Data not masked (ready for transfer to active REG)									
2	TRIGGER_2	0: No action (data held in shadow REG)	0	Yes					
		1: Data transferred to active REG							
1	TRIGGER_1	0: No action (data held in shadow REG)	0						
		1: Data transferred to active REG							
0	TRIGGER_0	0: No action (data held in shadow REG)	0						
		1: Data transferred to active REG							
0x1D	PRODUCT_ID	7:0	PRODUCT_ID	This is a read-only register. However, during the programming of the USID a write command sequence is performed on this register, even though the write does not change its value.	00001110	No	No	R	
0x1E	MAN_ID	7:0	MANUFACTURER_ID [7:0]	This is a read-only register. However, during the programming of the USID, a write command sequence is performed on this register, even though the write does not change its value.	00011010	No	No	R	
0x1F	MAN_USID	7:6	RESERVED	Reserved for future use	00	No	No	R	
		5:4	MANUFACTURER_ID [9:8]	These bits are read-only. However, during the programming of the USID, a write command sequence is performed on this register even though the write does not change its value.	01				
		3:0	USID[3:0]	Programmable USID. Performing a write to this register using the described programming sequences will program the USID in devices supporting this feature. These bits store the USID of the device.	See Tab.5	No	No	R/W	

BGAU1A10

Low Noise Amplifier with Gain Control



MIPI RFFE Specification

Table 8: Register Mapping, Table II

Register Address	Register Name	Data Bits	Function	Description	Default	Broadcast_ID Support	Trigger Support	R/W
0x20	EXT_PRODUCT_ID	7:0	EXT_PRODUCT_ID		00000000	No	No	R
0x21	REV_ID	7:4	MAIN_REVISION		0001	No	No	R/W
		3:0	SUB_REVISION		0000			
0x22	GSID	7:4	GSID0[3:0]	Primary Group Slave ID.	0000	No	No	R/W
		3:0	RESERVED	Reserved for secondary Group Slave ID.	0000			
0x23	UDR_RST	7	UDR_RST	Reset all configurable non-RFFE Reserved registers to default values. 0: Normal operation 1: Software reset	0	No	No	R/W
		6:0	RESERVED	Reserved for future use	0000000			
0x24	ERR_SUM	7	RESERVED	Reserved for future use	0	No	No	R
		6	COMMAND_FRAME_PARITY_ERR	Command Sequence received with parity error – discard command.	0			
		5	COMMAND_LENGTH_ERR	Command length error.	0			
		4	ADDRESS_FRAME_PARITY_ERR	Address frame with parity error.	0			
		3	DATA_FRAME_PARITY_ERR	Data frame with parity error.	0			
		2	READ_UNUSED_REG	Read command to an invalid address.	0			
		1	WRITE_UNUSED_REG	Write command to an invalid address.	0			
0	BID_GID_ERR	Read command with a BROADCAST_ID or GROUP_ID.	0					
0x78	DFT	7:0	DESIGN_FOR_TEST	Do not use.	–	–	–	–

BGAU1A10

Low Noise Amplifier with Gain Control



MIPI RFFE Specification

Table 9: Gain Modes of Operation (Truth Table, Register_0)

State	Mode	REGISTER_0 Bits						
		D6	D5	D4	D3	D2	D1	D0
1	Gain G0	1	0	0	1	x	x	x
2	Gain G1	1	0	1	1	x	x	x
3	Gain G2	1	1	0	1	x	x	x
4	Gain G3	1	1	1	0	x	x	x
5	Gain G4 (Bypass)	0	1	1	1	x	x	x

Table 10: Bias settings (Truth Table, Register_0)

State	Mode	REGISTER_0 Bits						
		D6	D5	D4	D3	D2	D1	D0
9	Bias0 (3.0 mA)	1	x	x	x	0	0	0
10	Bias1 (3.5 mA)	1	x	x	x	0	0	1
11	Bias2 (4.0 mA)	1	x	x	x	0	1	0
12	Bias3 (4.5 mA)	1	x	x	x	0	1	1
13	Bias4 (5.0 mA) ¹	1	x	x	x	1	0	0
14	Bias5 (5.5 mA)	1	x	x	x	1	0	1
15	Bias6 (6.0 mA)	1	x	x	x	1	1	0
16	Bias7 (6.5 mA)	1	x	x	x	1	1	1

¹Target bias mode for Gain modes G0-G3

BGAU1A10

Low Noise Amplifier with Gain Control

Application Information

5 Application Information

Pin Configuration and Function

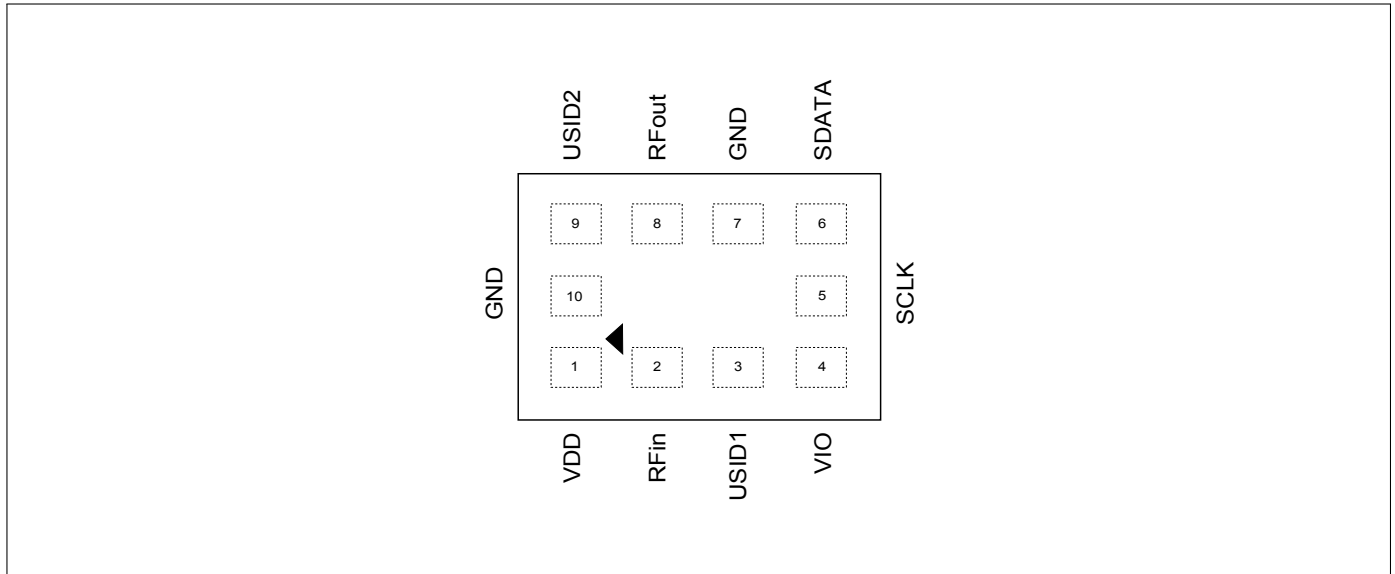


Figure 3: BGAU1A10 Pin Configuration (top view)

Table 11: Pin Definition and Function

Pin No.	Name	Function
1	VDD	Power supply
2	RFin	RF input port
3	USID1	USID select pin 1
4	VIO	MIPI RFFE supply
5	SCLK	MIPI RFFE clock
6	SDATA	MIPI RFFE data
7	GND	Ground
8	RFout	RF output port
9	USID2	USID select pin 2
10	GND	Ground

¹ Leave unconnected if not used (do NOT connect to GND)

BGAU1A10

Low Noise Amplifier with Gain Control

Application Information

Application Board Configuration

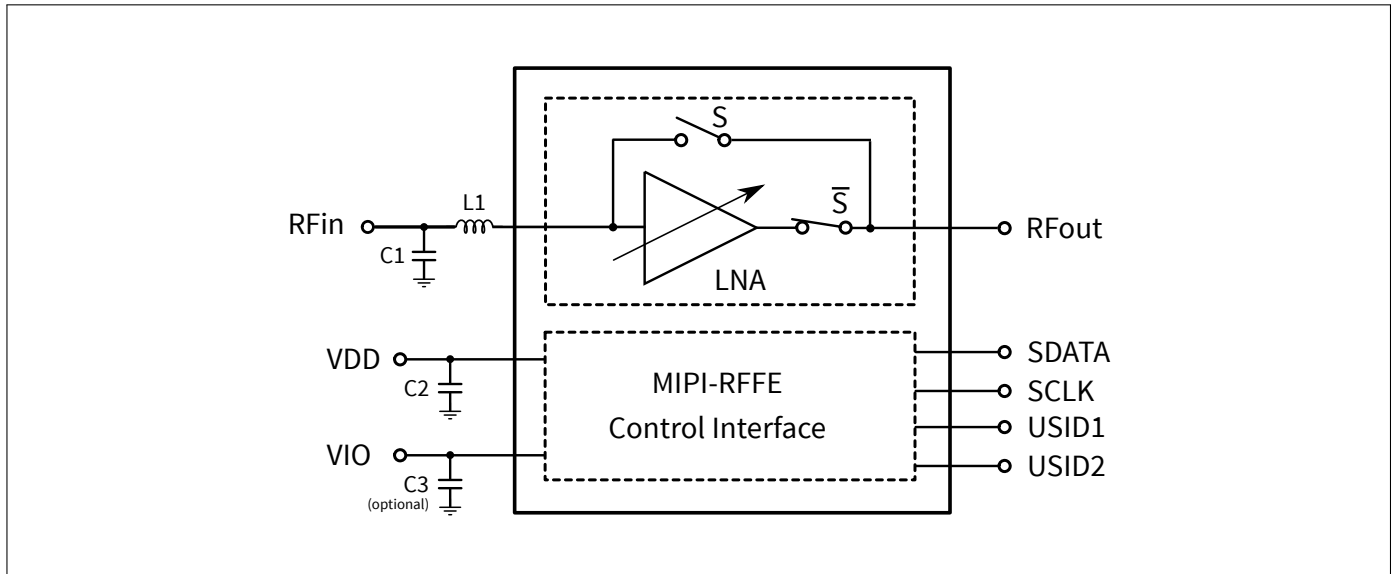


Figure 4: BGAU1A10 Application Schematic

Table 12: Bill of Materials Table

Name	Value	Package	Manufacturer	Function
C1	0.6 pF	0201	muRata GJM type	Input matching ¹
C2	10 nF	0201	Various	RF bypass ²
C3 (optional)	10 nF	0201	Various	RF bypass ²
L1	0.8 nH	0201	muRata LQP type	Input matching ¹
N1	BGAU1A10	ATSLP-10-3	Infineon	Variable gainstep LNA

¹The matching elements must be optimized with reference to the frequency band of interest.

²RF bypass recommended to mitigate power supply noise.

BGAU1A10

Low Noise Amplifier with Gain Control

Package Information

6 Package Information

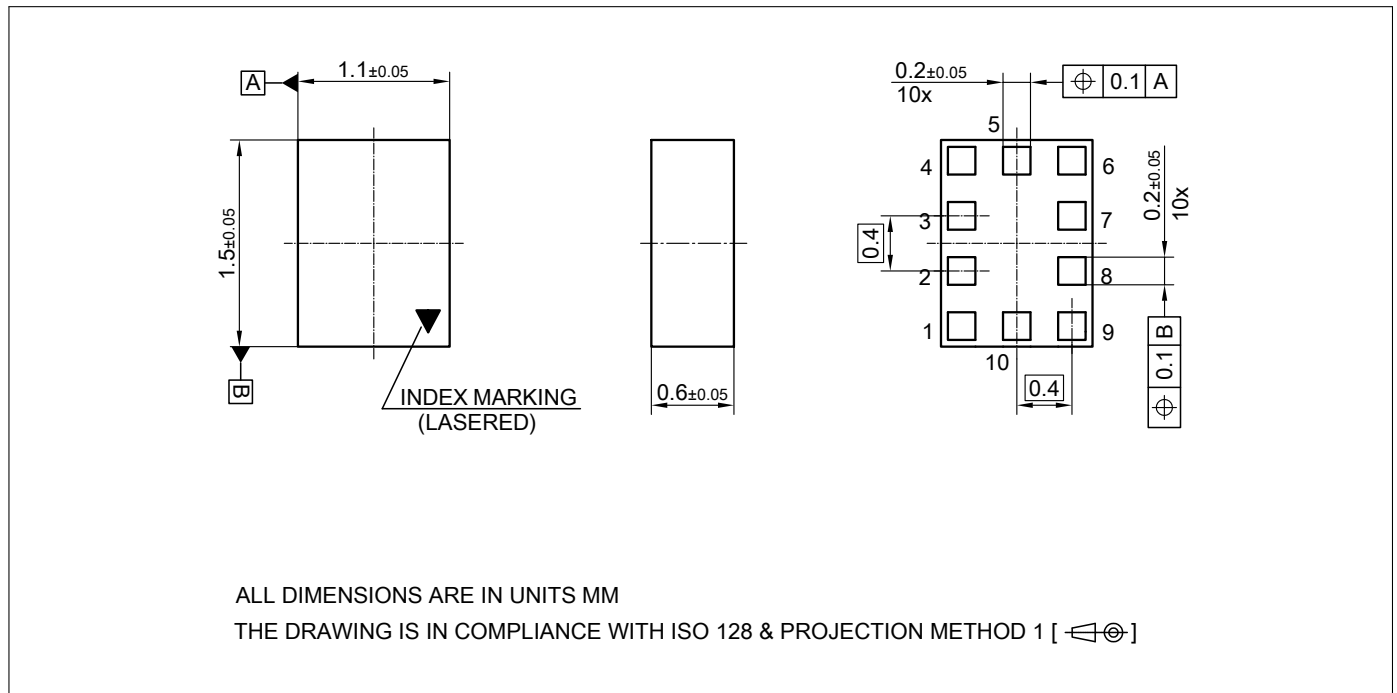


Figure 5: ATSLP-10-3 Package Outline (top, side and bottom views)

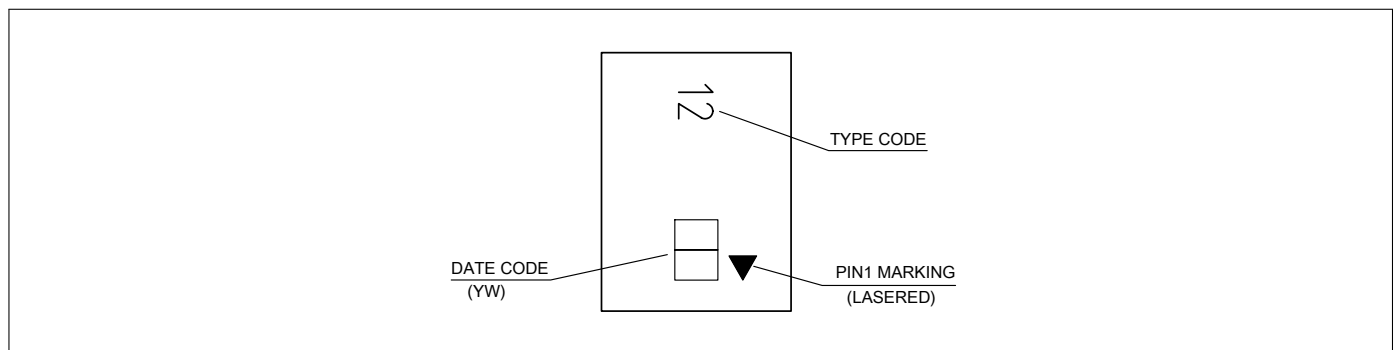


Figure 6: Marking Specification (top view)

Product Name	Marking	Package
BGAU1A10	U1	ATSLP-10-3

Table 13: Year date code marking - digit "Y"

Year	"Y"	Year	"Y"	Year	"Y"
2000	0	2010	0	2020	0
2001	1	2011	1	2021	1
2002	2	2012	2	2022	2
2003	3	2013	3	2023	3
2004	4	2014	4	2024	4
2005	5	2015	5	2025	5
2006	6	2016	6	2026	6
2007	7	2017	7	2027	7
2008	8	2018	8	2028	8
2009	9	2019	9	2029	9

Table 14: Week date code marking - digit "W"

Week	"W"	Week	"W"	Week	"W"	Week	"W"	Week	"W"
1	A	12	N	23	4	34	h	45	v
2	B	13	P	24	5	35	j	46	x
3	C	14	Q	25	6	36	k	47	y
4	D	15	R	26	7	37	l	48	z
5	E	16	S	27	a	38	n	49	8
6	F	17	T	28	b	39	p	50	9
7	G	18	U	29	c	40	q	51	2
8	H	19	V	30	d	41	r	52	3
9	J	20	W	31	e	42	s	53	M
10	K	21	Y	32	f	43	t		
11	L	22	Z	33	g	44	u		

Package Information

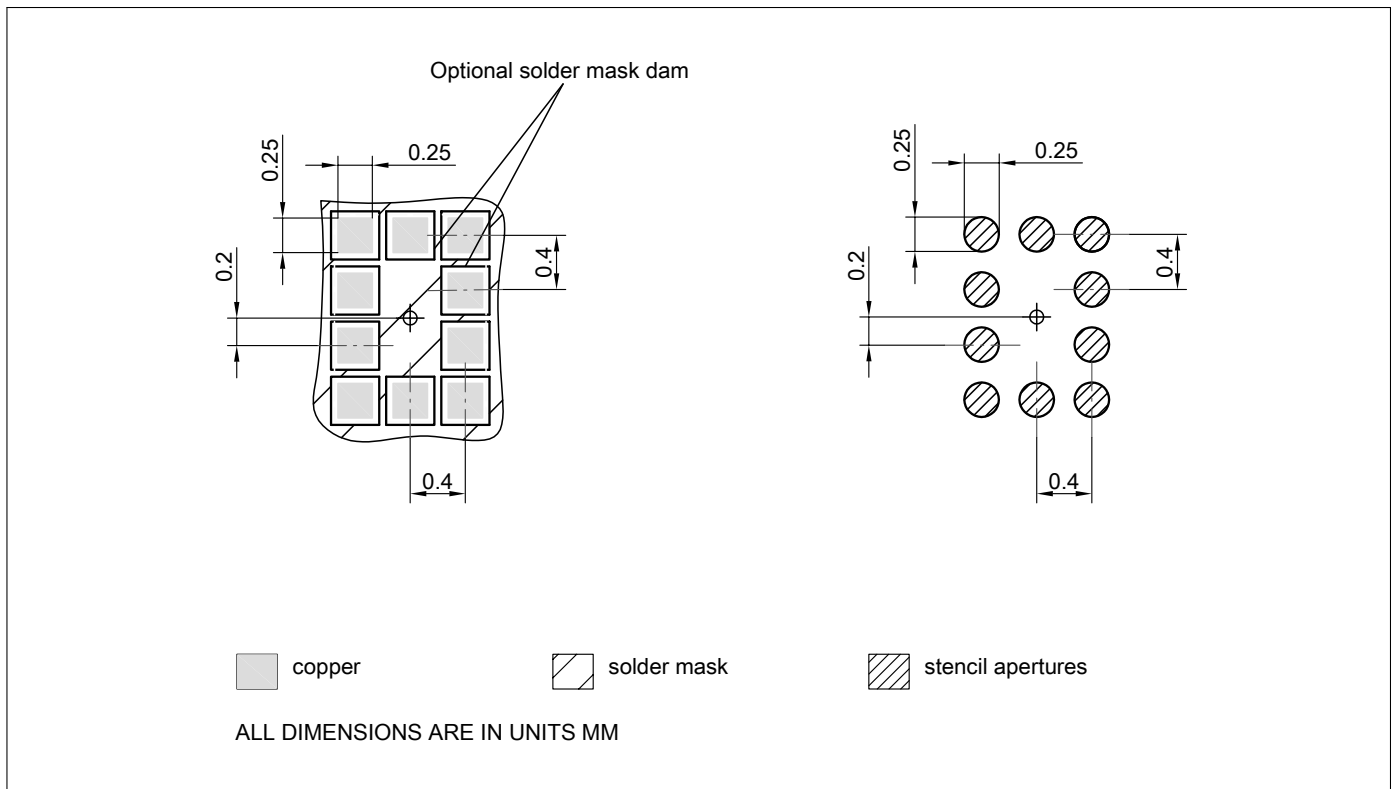


Figure 7: Footprint Recommendation

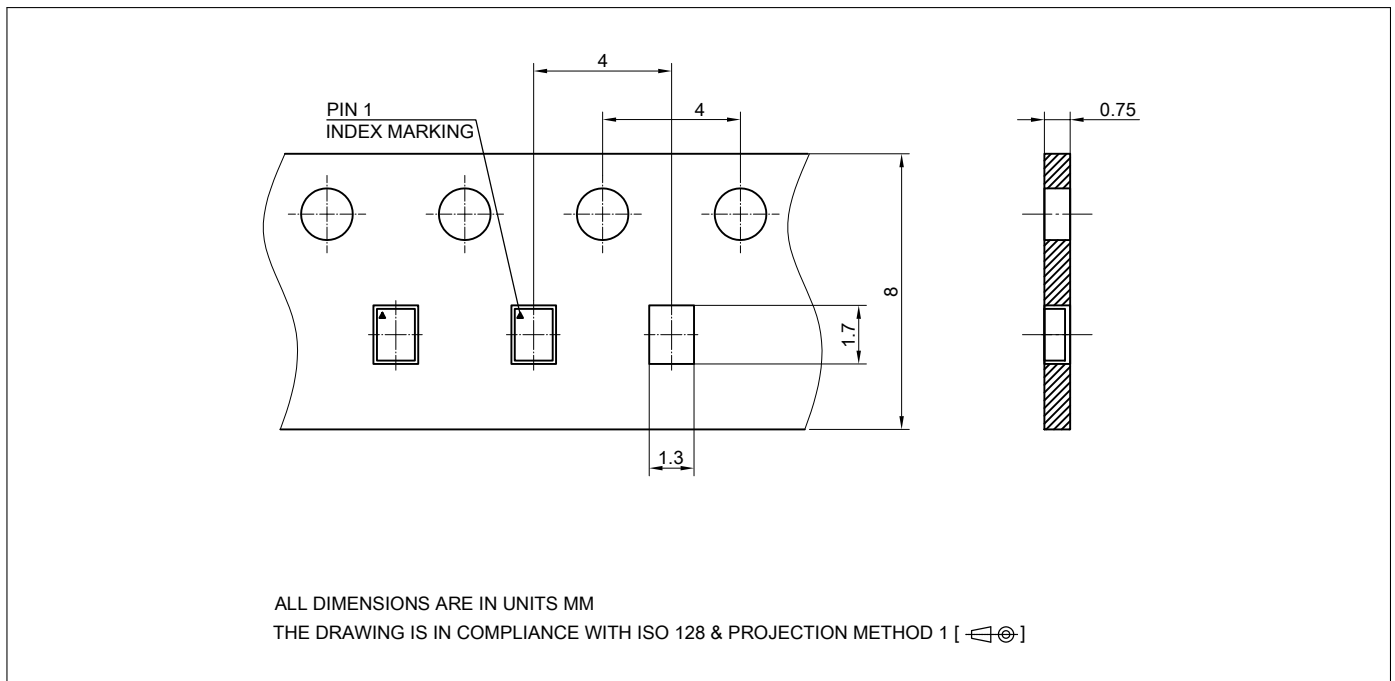


Figure 8: Carrier Tape

Revision History	
Page or Item	Subjects (major changes since previous revision)
Revision 3.0, 2018-04-18	
all	"Preliminary" removed
2	Maximum current into pin VDD updated
2	Maximum RF input power updated
2	Maximum total power dissipation updated
9	Footnotes updated in Table 11 (Bias settings)
12	Package outline drawing updated
12	Marking specification drawing updated
13	Date code marking tables added
14	Footprint recommendation drawing added
14	Carrier tape drawing added
15	Trademarks updated

Other Trademarks

All referenced product or service names and trademarks are the property of their respective owners.

Edition 2018-04-18

Published by

Infineon Technologies AG

81726 Munich, Germany

© 2018 Infineon Technologies AG.

All Rights Reserved.

Do you have a question about any aspect of this document?

Email: erratum@infineon.com

Document reference

Doc_Number

IMPORTANT NOTICE

The information given in this document shall in no event be regarded as a guarantee of conditions or characteristics ("Beschaffheitsgarantie"). With respect to any examples, hints or any typical values stated herein and/or any information regarding the application of the product, Infineon Technologies hereby disclaims any and all warranties and liabilities of any kind, including without limitation warranties of non-infringement of intellectual property rights of any third party. In addition, any information given in this document is subject to customer's compliance with its obligations stated in this document and any applicable legal requirements, norms and standards concerning customer's products and any use of the product of Infineon Technologies in customer's applications. The data contained in this document is exclusively intended for technically trained staff. It is the responsibility of customer's technical departments to evaluate the suitability of the product for the intended application and the completeness of the product information given in this document with respect to such application.

For further information on technology, delivery terms and conditions and prices, please contact the nearest Infineon Technologies Office (www.infineon.com).

WARNINGS

Due to technical requirements products may contain dangerous substances. For information on the types in question please contact your nearest Infineon Technologies office.

Except as otherwise explicitly approved by Infineon Technologies in a written document signed by authorized representatives of Infineon Technologies, Infineon Technologies products may not be used in any applications where a failure of the product or any consequences of the use thereof can reasonably be expected to result in personal injury.

Компания «Океан Электроники» предлагает заключение долгосрочных отношений при поставках импортных электронных компонентов на взаимовыгодных условиях!

Наши преимущества:

- Поставка оригинальных импортных электронных компонентов напрямую с производств Америки, Европы и Азии, а так же с крупнейших складов мира;
- Широкая линейка поставок активных и пассивных импортных электронных компонентов (более 30 млн. наименований);
- Поставка сложных, дефицитных, либо снятых с производства позиций;
- Оперативные сроки поставки под заказ (от 5 рабочих дней);
- Экспресс доставка в любую точку России;
- Помощь Конструкторского Отдела и консультации квалифицированных инженеров;
- Техническая поддержка проекта, помощь в подборе аналогов, поставка прототипов;
- Поставка электронных компонентов под контролем ВП;
- Система менеджмента качества сертифицирована по Международному стандарту ISO 9001;
- При необходимости вся продукция военного и аэрокосмического назначения проходит испытания и сертификацию в лаборатории (по согласованию с заказчиком);
- Поставка специализированных компонентов военного и аэрокосмического уровня качества (Xilinx, Altera, Analog Devices, Intersil, Interpoint, Microsemi, Actel, Aeroflex, Peregrine, VPT, Syfer, Eurofarad, Texas Instruments, MS Kennedy, Miteq, Cobham, E2V, MA-COM, Hittite, Mini-Circuits, General Dynamics и др.);

Компания «Океан Электроники» является официальным дистрибьютором и эксклюзивным представителем в России одного из крупнейших производителей разъемов военного и аэрокосмического назначения «JONHON», а так же официальным дистрибьютором и эксклюзивным представителем в России производителя высокотехнологичных и надежных решений для передачи СВЧ сигналов «FORSTAR».



JONHON

«JONHON» (основан в 1970 г.)

Разъемы специального, военного и аэрокосмического назначения:

(Применяются в военной, авиационной, аэрокосмической, морской, железнодорожной, горно- и нефтедобывающей отраслях промышленности)

«FORSTAR» (основан в 1998 г.)

ВЧ соединители, коаксиальные кабели,
кабельные сборки и микроволновые компоненты:

(Применяются в телекоммуникациях гражданского и специального назначения, в средствах связи, РЛС, а так же военной, авиационной и аэрокосмической отраслях промышленности).



Телефон: 8 (812) 309-75-97 (многоканальный)

Факс: 8 (812) 320-03-32

Электронная почта: ocean@oceanchips.ru

Web: <http://oceanchips.ru/>

Адрес: 198099, г. Санкт-Петербург, ул. Калинина, д. 2, корп. 4, лит. А