

MPC5744P

MPC5744P Data Sheet

32-bit MCU suitable for ISO26262 ASIL-D chassis and safety applications

Features

- The MPC5744P microcontroller is based on the Power Architecture® developed by NXP. It targets chassis and safety applications and other applications requiring a high Automotive Safety Integrity Level (ASIL). The MPC5744P is a SafeAssure solution.
- This document provides electrical specifications, pin assignments, and package diagram information for the MPC5744P series of microcontroller units (MCUs). For functional characteristics and the programming model, see the MPC5744P Reference Manual.
- Junction temperature: The upper limit is 150°C or 165°C depending on the device marking.

Table of Contents

| | | | | | |
|-------|---|----|--------|---|-----|
| 1 | Introduction..... | 3 | 3.12 | Main oscillator electrical characteristics..... | 69 |
| 1.1 | Features..... | 3 | 3.13 | PLLDIG electrical characteristics..... | 72 |
| 1.2 | Block Diagram..... | 5 | 3.14 | 16 MHz Internal RC Oscillator (IRCOSC) electrical specifications..... | 73 |
| 2 | Pinouts..... | 6 | 3.15 | ADC electrical characteristics..... | 74 |
| 2.1 | Package pinouts and ballmap..... | 6 | 3.16 | Flash memory specifications..... | 77 |
| 2.2 | Pin/ball descriptions | 8 | 3.16.1 | Maximum junction temperature 150°C..... | 77 |
| 2.2.1 | Pin/ball startup and reset states..... | 8 | 3.16.2 | Maximum junction temperature 165°C..... | 80 |
| 2.2.2 | Power supply and reference voltage pins/balls..... | 9 | 3.16.3 | Flash memory read wait-state and address-pipeline control settings..... | 84 |
| 2.2.3 | System pins/balls..... | 12 | 3.17 | SGEN electrical characteristics..... | 85 |
| 2.2.4 | LVDS pins/balls..... | 13 | 3.18 | RESET sequence duration..... | 86 |
| 2.2.5 | Generic pins/balls..... | 14 | 3.19 | AC specifications..... | 86 |
| 2.2.6 | Peripheral input muxing..... | 43 | 3.19.1 | Reset pad (EXT_POR, RESET) electrical characteristics..... | 87 |
| 3 | Electrical characteristics..... | 55 | 3.19.2 | WKUP/NMI timing..... | 89 |
| 3.1 | Introduction..... | 55 | 3.19.3 | Debug/JTAG/Nexus/Aurora timing..... | 89 |
| 3.2 | 165°C junction temperature option..... | 55 | 3.19.4 | External interrupt timing (IRQ pin)..... | 96 |
| 3.3 | Absolute maximum ratings..... | 55 | 3.19.5 | SPI timing..... | 97 |
| 3.4 | Recommended operating conditions..... | 57 | 3.19.6 | LFAST..... | 102 |
| 3.5 | Thermal characteristics..... | 58 | 3.19.7 | FlexRay..... | 106 |
| 3.5.1 | General notes for specifications at maximum junction temperature..... | 59 | 3.19.8 | Ethernet switching specifications..... | 109 |
| 3.6 | Electromagnetic compatibility (EMC)..... | 60 | 4 | Obtaining package dimensions..... | 111 |
| 3.7 | Electrostatic discharge (ESD) characteristics..... | 62 | 5 | Ordering information..... | 112 |
| 3.8 | Voltage regulator electrical characteristics..... | 62 | 6 | Document revision history..... | 113 |
| 3.9 | DC electrical characteristics..... | 65 | | | |
| 3.10 | Supply current characteristics..... | 67 | | | |
| 3.11 | Temperature sensor..... | 69 | | | |

1 Introduction

1.1 Features

The following table summarizes the features of the MPC5744P.

Table 1. MPC5744P feature summary

| Feature | Details |
|---|---|
| CPU | |
| Power Architecture | 2 x e200z4 in delayed lock step |
| Architecture | Harvard |
| Execution speed | 0 MHz to 200 MHz (+2% FM) |
| Embedded FPU | Yes |
| Core MPU | 24 regions |
| Instruction Set PPC | No |
| Instruction Set VLE | Yes |
| Instruction cache | 8 KB, EDC |
| Data cache | 4 KB, EDC |
| Data local memory | 64 KB, ECC |
| System MPU | Yes (16 regions) |
| Buses | |
| Core bus | AHB, 32-bit address, 64-bit data, e2e ECC |
| Internal periphery bus | 32-bit address, 32-bit data |
| Crossbar | |
| Master x slave ports | 4 x 5 |
| Memory —see Table 2 for additional details | |
| Code/data flash memory | 2.5 MB , ECC, RWW |
| Data flash memory | Supported with RWW |
| SRAM | 384 KB , ECC |
| Overlay access to SRAM from Flash Memory Controller | Yes |
| Modules | |
| Interrupt controller | 32 interrupt priority levels, 16 SW programmable interrupts |
| PIT | 1 module with 4 channels |
| System Timer Module (STM) | 1 module with 4 channels |
| Software Watchdog Timer (SWT) | Yes |
| eDMA | 32 channels, in delayed lock step |
| FlexRay | 1 module with 64 message buffer, dual channel |
| FlexCAN | 3 modules with 64 message buffer |
| LINFlexD (UART and LIN with DMA support) | 2 modules |

Table continues on the next page...

Table 1. MPC5744P feature summary (continued)

| Feature | Details |
|---|--|
| Clockout | Yes |
| Fault Control and Collection Unit (FCCU) | Yes |
| Cross Triggering Unit (CTU) | 2 modules |
| eTimer | 3 modules with 6 channels |
| FlexPWM | 2 modules with 4 x (2+1) channels |
| Analog-to-digital converter (ADC) | 4 modules with 12-bit ADC, each with 16 channels (25 external channels including shared channels plus internal channels) |
| Sine-wave generator (SGEN) | 32 point |
| SPI | 4 modules As many as 8 chip selects |
| CRC Unit | Yes |
| SENT | 2 modules with 2 channels |
| Interprocessor serial link interface (SIPI) | Yes |
| Junction temperature sensor | Yes (replicated module) |
| Digital I/Os | ≥ 16 |
| Peripheral register protection | Yes |
| Ethernet | Yes |
| Error Injection Module (EIM) | Yes |
| Supply | |
| Device Power Supply | 3.3 V with external ballast transistor 3.3 V with external 1.25 V low drop-out (LDO) regulator |
| ADC Analog Reference voltage | 3.15 V to 5.5 V |
| Clocking | |
| Phase Lock Loop (PLL) | 1 x PLL and 1 coupled FMPLL |
| Internal RC Oscillator | 16 MHz |
| External Crystal Oscillator | 8 MHz to 40 MHz |
| Low power modes | |
| HALT and STOP | Yes |
| Debug | |
| Nexus | Level 3+, MDO and Aurora interface |
| Package | |
| LQFP | 144 pins, 0.5 mm pitch, 20 mm x 20 mm outline |
| MAPBGA | 257 MAPBGA, 0.8 mm pitch, 14 mm x 14 mm outline |
| Temperature | |
| Temperature range (junction) | -40°C to +150°C, option for 165°C |
| Ambient temperature range (LQFP) | -40°C to +125°C, 135°C option (with 165°C junction option) |
| Ambient temperature range (BGA) | -40°C to +125°C, 135°C option (with 165°C junction option) |

Table 2. Flash memory and SRAM sizes of MPC5744P, MPC5743P, MPC5742P, and MPC5741P

| Part number | Flash memory | SRAM |
|-------------|--------------|--------|
| MPC5744P | 2.5 MB | 384 KB |
| MPC5743P | 2.0 MB | 256 KB |
| MPC5742P | 1.5 MB | 192 KB |
| MPC5741P | 1.0 MB | 128 KB |

1.2 Block Diagram

The following figure is a top-level diagram that shows the functional organization of the system.



Figure 1. System Block Diagram

2 Pinouts

2.1 Package pinouts and ballmap

The following figures show the LQFP pinout and the BGA ballmap.

| | | | | | | | | | | | | | | | | | | | | | | | | | | | | | | | | | | | | | | | |
|----|------------|-------|-----------|------------|------------|------|------|------|------------|-------|------------|------|------|------------|--------------|--------------|------|-------|-----------|-----------|--------------|--------------|------------|------------|-------|-------|-------|---------------|-------|-------|-------|-------|-------|-------|------------|------------|--------------|--|--|
| | | 144 | 143 | 142 | 141 | 140 | 139 | 138 | 137 | 136 | 135 | 134 | 133 | 132 | 131 | 130 | 129 | 128 | 127 | 126 | 125 | 124 | 123 | 122 | 121 | 120 | 119 | 118 | 117 | 116 | 115 | 114 | 113 | 112 | 111 | 110 | 109 | | |
| | | A[15] | A[14] | C[6] | FCCU_F[1] | D[2] | F[3] | B[6] | VSS_LV_COR | A[13] | VDD_LV_COR | A[9] | F[0] | VSS_LV_COR | VDD_LV_COR | EXT_POR_B | D[4] | D[3] | VSS_HV_IO | VDD_HV_IO | D[0] | C[15] | JCOMP | A[12] | E[15] | A[11] | E[14] | A[10] | E[13] | B[3] | F[14] | B[2] | F[15] | F[13] | C[10] | B[1] | B[0] | | |
| 1 | NMI_B | | | | | | | | | | | | | | | | | | | | | | | | | | | A[4] | | 108 | | | | | | | | | |
| 2 | A[6] | | | | | | | | | | | | | | | | | | | | | | | | | | | VPP/TEST_MODE | | 107 | | | | | | | | | |
| 3 | D[1] | | | | | | | | | | | | | | | | | | | | | | | | | | | F[12] | | 106 | | | | | | | | | |
| 4 | F[4] | | | | | | | | | | | | | | | | | | | | | | | | | | | D[14] | | 105 | | | | | | | | | |
| 5 | F[5] | | | | | | | | | | | | | | | | | | | | | | | | | | | G[3] | | 104 | | | | | | | | | |
| 6 | VDD_HV_IO | | | | | | | | | | | | | | | | | | | | | | | | | | | C[14] | | 103 | | | | | | | | | |
| 7 | VSS_HV_IO | | | | | | | | | | | | | | | | | | | | | | | | | | | G[2] | | 102 | | | | | | | | | |
| 8 | F[6] | | | | | | | | | | | | | | | | | | | | | | | | | | | C[13] | | 101 | | | | | | | | | |
| 9 | MDO0 | | | | | | | | | | | | | | | | | | | | | | | | | | | G[4] | | 100 | | | | | | | | | |
| 10 | A[7] | | | | | | | | | | | | | | | | | | | | | | | | | | | D[12] | | 99 | | | | | | | | | |
| 11 | C[4] | | | | | | | | | | | | | | | | | | | | | | | | | | | G[6] | | 98 | | | | | | | | | |
| 12 | A[8] | | | | | | | | | | | | | | | | | | | | | | | | | | | VDD_HV_FL A | | 97 | | | | | | | | | |
| 13 | C[5] | | | | | | | | | | | | | | | | | | | | | | | | | | | VSS_LV_COR | | 96 | | | | | | | | | |
| 14 | A[5] | | | | | | | | | | | | | | | | | | | | | | | | | | | J[8] | | 95 | | | | | | | | | |
| 15 | C[7] | | | | | | | | | | | | | | | | | | | | | | | | | | | VSS_LV_COR | | 94 | | | | | | | | | |
| 16 | J[9] | | | | | | | | | | | | | | | | | | | | | | | | | | | VDD_LV_COR | | 93 | | | | | | | | | |
| 17 | VSS_LV_COR | | | | | | | | | | | | | | | | | | | | | | | | | | | A[3] | | 92 | | | | | | | | | |
| 18 | VDD_LV_COR | | | | | | | | | | | | | | | | | | | | | | | | | | | VDD_HV_IO | | 91 | | | | | | | | | |
| 19 | F[7] | | | | | | | | | | | | | | | | | | | | | | | | | | | VSS_HV_IO | | 90 | | | | | | | | | |
| 20 | F[8] | | | | | | | | | | | | | | | | | | | | | | | | | | | B[4] | | 89 | | | | | | | | | |
| 21 | VDD_HV_IO | | | | | | | | | | | | | | | | | | | | | | | | | | | TCK | | 88 | | | | | | | | | |
| 22 | VSS_HV_IO | | | | | | | | | | | | | | | | | | | | | | | | | | | TMS | | 87 | | | | | | | | | |
| 23 | F[9] | | | | | | | | | | | | | | | | | | | | | | | | | | | B[5] | | 86 | | | | | | | | | |
| 24 | F[10] | | | | | | | | | | | | | | | | | | | | | | | | | | | G[5] | | 85 | | | | | | | | | |
| 25 | F[11] | | | | | | | | | | | | | | | | | | | | | | | | | | | A[2] | | 84 | | | | | | | | | |
| 26 | D[9] | | | | | | | | | | | | | | | | | | | | | | | | | | | G[7] | | 83 | | | | | | | | | |
| 27 | VDD_HV_OSC | | | | | | | | | | | | | | | | | | | | | | | | | | | C[12] | | 82 | | | | | | | | | |
| 28 | VSS_HV_OSC | | | | | | | | | | | | | | | | | | | | | | | | | | | G[8] | | 81 | | | | | | | | | |
| 29 | XTAL | | | | | | | | | | | | | | | | | | | | | | | | | | | C[11] | | 80 | | | | | | | | | |
| 30 | EXTAL | | | | | | | | | | | | | | | | | | | | | | | | | | | G[9] | | 79 | | | | | | | | | |
| 31 | RESET_B | | | | | | | | | | | | | | | | | | | | | | | | | | | D[11] | | 78 | | | | | | | | | |
| 32 | D[8] | | | | | | | | | | | | | | | | | | | | | | | | | | | G[10] | | 77 | | | | | | | | | |
| 33 | D[5] | | | | | | | | | | | | | | | | | | | | | | | | | | | D[10] | | 76 | | | | | | | | | |
| 34 | D[6] | | | | | | | | | | | | | | | | | | | | | | | | | | | G[11] | | 75 | | | | | | | | | |
| 35 | VSS_LV_PLL | | | | | | | | | | | | | | | | | | | | | | | | | | | A[1] | | 74 | | | | | | | | | |
| 36 | VDD_LV_PLL | | | | | | | | | | | | | | | | | | | | | | | | | | | A[0] | | 73 | | | | | | | | | |
| | | D[7] | FCCU_F[0] | VDD_LV_COR | VSS_LV_COR | C[1] | E[4] | B[7] | E[5] | C[2] | E[6] | B[8] | E[7] | E[2] | VDD_HV_ADRE0 | VSS_HV_ADRE0 | B[9] | B[10] | B[11] | B[12] | VDD_HV_ADRE1 | VSS_HV_ADRE1 | VDD_HV_ADV | VSS_HV_ADV | B[13] | E[9] | B[15] | E[10] | B[14] | E[11] | C[0] | E[12] | E[0] | BCTRL | VDD_LV_COR | VSS_LV_COR | VDD_HV_PMUIO | | |
| | | 37 | 38 | 39 | 40 | 41 | 42 | 43 | 44 | 45 | 46 | 47 | 48 | 49 | 50 | 51 | 52 | 53 | 54 | 55 | 56 | 57 | 58 | 59 | 60 | 61 | 62 | 63 | 64 | 65 | 66 | 67 | 68 | 69 | 70 | 71 | 72 | | |

Figure 2. 144LQFP pinout

| | 1 | 2 | 3 | 4 | 5 | 6 | 7 | 8 | 9 | 10 | 11 | 12 | 13 | 14 | 15 | 16 | 17 |
|---|----------------------|-----------|-----------|------------|-------|------------|--------------|------------|--------------|------------|------------|------------|-------|---------------|-----------|--------------|--------------|
| A | VSS_HV_IO | VSS_HV_IO | A[14] | A[9] | D[3] | JCOMP | H[12] | C[15] | VDD_HV_IO | I[3] | E[13] | J[1] | F[15] | H[13] | F[13] | VSS_HV_IO | VSS_HV_IO |
| B | VSS_HV_IO/VSS_LV_COR | VDD_HV_IO | F[3] | D[2] | B[6] | F[0] | D[4] | D[0] | VSS_HV_IO | E[14] | A[10] | B[3] | H[9] | C[10] | J[3] | VDD_HV_IO | VSS_HV_IO |
| C | I[15] | J[0] | VSS_HV_IO | FCCU_F[1] | A[13] | I[0] | H[10] | E[15] | H[11] | I[14] | J[2] | B[2] | H[6] | B[1] | VSS_HV_IO | B[0] | H[15] |
| D | A[6] | I[7] | A[15] | C[6] | N/C | EXT_POR_B | A[12] | VDD_HV_IO | VSS_HV_IO | A[11] | I[2] | F[14] | J[4] | VDD_HV_IO | VPP_TE_ST | A[4] | F[12] |
| E | F[4] | F[6] | D[1] | NMIL_B | | | | | | | | | | N/C | C[13] | G[3] | D[14] |
| F | F[5] | H[7] | H[5] | H[4] | | VDD_LV_COR | VDD_LV_COR | VDD_LV_COR | VDD_LV_COR | VDD_LV_COR | VDD_LV_COR | VDD_LV_COR | | C[14] | D[12] | G[4] | G[2] |
| G | MDO0 | VDD_HV_IO | C[5] | A[7] | | VDD_LV_COR | VSS_LV_COR | VSS_LV_COR | VSS_LV_COR | VSS_LV_COR | VSS_LV_COR | VDD_LV_COR | | B[4] | A[3] | J[8] | G[6] |
| H | A[8] | VSS_HV_IO | C[4] | A[5] | | VDD_LV_COR | VSS_LV_COR | VSS_LV_COR | VSS_LV_COR | VSS_LV_COR | VSS_LV_COR | VDD_LV_COR | | G[12] | TMS | VDD_HV_FL | TCK |
| J | C[7] | I[4] | F[8] | F[7] | | VDD_LV_COR | VSS_LV_COR | VSS_LV_COR | VSS_LV_COR | VSS_LV_COR | VSS_LV_COR | VDD_LV_COR | | G[13] | H[1] | VDD_LV_NEXUS | B[5] |
| K | J[9] | F[10] | F[9] | I[8] | | VDD_LV_COR | VSS_LV_COR | VSS_LV_COR | VSS_LV_COR | VSS_LV_COR | VSS_LV_COR | VDD_LV_COR | | G[15] | H[0] | VSS_LV_NEXUS | J[10] |
| L | H[8] | F[11] | I[9] | D[8] | | VDD_LV_COR | VSS_LV_COR | VSS_LV_COR | VSS_LV_COR | VSS_LV_COR | VSS_LV_COR | VDD_LV_COR | | A[2] | G[14] | N/C | J[11] |
| M | VDD_HV_OSC | VDD_HV_IO | I[10] | D[5] | | VDD_LV_COR | VDD_LV_COR | VDD_LV_COR | VDD_LV_COR | VDD_LV_COR | VDD_LV_COR | VDD_LV_COR | | C[12] | I[6] | G[7] | G[5] |
| N | XTAL | VSS_HV_IO | D[9] | VSS_LV_PLL | | | | | | | | | | G[8] | I[5] | VDD_LV_LFAST | VSS_LV_LFAST |
| P | VSS_HV_OSC | RESET_B | D[6] | VDD_LV_PLL | I[12] | I[13] | B[8] | J[5] | J[6] | J[7] | B[14] | A[0] | H[14] | G[9] | N/C | C[11] | D[11] |
| R | EXTAL | FCCU_F[0] | VSS_HV_IO | D[7] | B[7] | E[6] | VDD_HV_ADRE0 | B[10] | VDD_HV_ADRE1 | B[13] | B[15] | C[0] | BCTRL | N/C | VSS_HV_IO | D[10] | G[10] |
| T | VSS_HV_IO | VDD_HV_IO | I[1] | C[1] | E[5] | E[7] | VSS_HV_ADRE0 | B[11] | VSS_HV_ADRE1 | VDD_HV_ADV | E[10] | E[12] | E[0] | A[1] | G[11] | VDD_HV_IO | VSS_HV_IO |
| U | VSS_HV_IO | VSS_HV_IO | I[11] | E[4] | C[2] | E[2] | B[9] | B[12] | VSS_HV_ADV | E[9] | E[11] | N/C | N/C | VDD_HV_PMU/IO | N/C | VSS_HV_IO | VSS_HV_IO |

Figure 3. 257MAPBGA ballmap

2.2 Pin/ball descriptions

The following sections provide signal descriptions and related information about the functionality and configuration of the device. Note that this section is under development.

2.2.1 Pin/ball startup and reset states

The following table provides startup state and reset state information for device pins/balls.

The startup state and subsequent states of the following pins/balls cannot be configured by the user:

- JCOMP
- TMS
- TCK
- XTAL/EXTAL
- FCCU_F[0] and FCCU_F[1]
- EXT_POR_B
- RESET_B

The user can configure the state after reset of the following pins/balls by programming the applicable MSCRs/IMCRs:

- GPIOs
- Analog inputs
- TDI
- TDO
- NMI_B
- FAB
- ABS[0]
- ABS[2]

Table 3. Pin/ball startup and reset states

| Pin/ball | Startup state ^{1, 2} | State during reset | State after reset | 144LQFP | 257MAPBGA |
|----------------------------|-------------------------------|-----------------------|-----------------------|-------------------|-------------------|
| GPIOs | hi-z | hi-z | hi-z | Note ³ | Note ³ |
| Analog inputs ⁴ | hi-z | hi-z | hi-z | Note ³ | Note ³ |
| JCOMP (TRST) | hi-z | input, weak pull-down | input, weak pull-down | Note ⁵ | Note ⁵ |
| TDI | hi-z | input, weak pull-up | input, weak pull-up | Note ⁵ | Note ⁵ |
| TDO | hi-z | output, hi-z | output, hi-z | Note ⁵ | Note ⁵ |
| TMS ⁶ | hi-z | input, weak pull-up | input, weak pull-up | Note ⁵ | Note ⁵ |

Table continues on the next page...

Table 3. Pin/ball startup and reset states (continued)

| Pin/ball | Startup state ^{1, 2} | State during reset | State after reset | 144LQFP | 257MAPBGA |
|------------------------|-------------------------------|-----------------------|-----------------------|-------------------|-------------------|
| TCK ⁶ | hi-z | input, weak pull-up | input, weak pull-up | Note ⁵ | Note ⁵ |
| XTAL/EXTAL | hi-z | hi-z | hi-z | Note ⁵ | Note ⁵ |
| FCCU_F[0] ⁶ | hi-z | input, hi-z | output/input, hi-z | 38 | R2 |
| FCCU_F[1] ⁶ | hi-z | input, hi-z | output/input, hi-z | 141 | C4 |
| EXT_POR_B | hi-z | input, weak pull-down | input, weak pull-down | Note ⁵ | Note ⁵ |
| RESET_B | hi-z | input, weak pull-down | input, weak pull-down | Note ⁵ | Note ⁵ |
| NMI_B | hi-z | input, weak pull-up | input, weak pull-up | Note ⁵ | Note ⁵ |
| FAB | hi-z | input, weak pull-down | input, weak pull-down | Note ⁵ | Note ⁵ |
| ABS[2] | hi-z | input, weak pull-down | input, weak pull-down | Note ⁵ | Note ⁵ |
| ABS[0] | hi-z | input, weak pull-down | input, weak pull-down | Note ⁵ | Note ⁵ |

1. Startup state is exited when the core and high-voltage supplies reach minimum levels.
2. Pads marked "high impedance" for POR will be in either high-impedance or weak low drive state when VDD_LV_CORE is off and HV_VDD_IO is below 1.5 V.
3. See [Generic pins/balls](#).
4. Not all non-supply or reference pins on the device are explicitly defined in this table.
5. See [System pins/balls](#).
6. This pin/ball is dedicated to and directly connected to a peripheral module pin.

2.2.2 Power supply and reference voltage pins/balls

Table 4. Power supply and reference voltage pins/balls

| Supply | | | Package | |
|------------------------|-------|--------------------------|---------|-----------|
| Symbol | Type | Description | 144LQFP | 257MAPBGA |
| V _{DD_LV_COR} | Power | Low voltage power Supply | 18 | F6 |
| | | | 39 | F7 |
| | | | 70 | F8 |
| | | | 93 | F9 |
| | | | 131 | F10 |
| | | | 135 | F11 |
| | | | | F12 |
| | | | | G6 |
| | | | | G12 |
| | | | | H6 |
| | | | | H12 |
| | | | | J6 |
| | J12 | | | |
| | K6 | | | |
| | K12 | | | |

Table continues on the next page...

Table 4. Power supply and reference voltage pins/balls (continued)

| Supply | | | Package | |
|------------------------|--------|--|--|--|
| Symbol | Type | Description | 144LQFP | 257MAPBGA |
| | | | | L6 L12 M6 M7 M8 M9 M10 M11 M12 |
| V _{SS_LV_COR} | Ground | Low voltage ground. PLL Ground is also connected to low voltage ground for core logic on 144LQFP (pin 35). | 17 35 40 71 94 96 132 137 | B1 G7 G8 G9 G10 G11 H7 H8 H9 H10 H11 J7 J8 J9 J10 J11 K7 K8 K9 K10 K11 L7 L8 L9 L10 L11 |
| V _{DD_LV_PLL} | Power | PLL low voltage Supply | 36 | P4 |
| V _{SS_LV_PLL} | Ground | PLL low voltage Ground | 35 | N4 |

Table continues on the next page...

Table 4. Power supply and reference voltage pins/balls (continued)

| Supply | | | Package | |
|----------------------------|--------|---|---------|-----------|
| Symbol | Type | Description | 144LQFP | 257MAPBGA |
| V _{DD_HV_IO} | Power | High voltage Power Supply for I/O | 6 | A9 |
| | | | 21 | B2 |
| | | | 72 | B16 |
| | | | 91 | D8 |
| | | | 126 | D14 |
| | | | G2 | |
| | | | M2 | |
| | | | T2 | |
| | | | T16 | |
| | | | U14 | |
| V _{SS_HV_IO} | Ground | High voltage Ground Supply for I/O | 7 | A1 |
| | | | 22 | A2 |
| | | | 90 | A16 |
| | | | 127 | A17 |
| | | | | B1 |
| | | | | B9 |
| | | | | B17 |
| | | | | C3 |
| | | | | C15 |
| | | | | D9 |
| | | | | H2 |
| | | | | N2 |
| | | | | R3 |
| | | | | R15 |
| | | | | T1 |
| | | | | T17 |
| | | | | U1 |
| | U2 | | | |
| | U16 | | | |
| | U17 | | | |
| V _{DD_HV_PMU} | Power | PMU high voltage Supply | 72 | U14 |
| V _{DD_HV_PMU_AUX} | | | | |
| V _{DD_HV_OSC} | Power | Power Supply for the oscillator | 27 | M1 |
| V _{SS_HV_OSC} | Ground | Ground Supply for the oscillator | 28 | P1 |
| V _{DD_HV_FLA} | Power | Power Supply and decoupling pin for flash memory | 97 | H16 |
| V _{DD_HV_ADV} | Power | High voltage Supply for ADC, TSSENS, SGEN (3.3 V) | 58 | T10 |
| V _{SS_HV_ADV} | Ground | High voltage Ground for ADC | 59 | U9 |

Table continues on the next page...

Table 4. Power supply and reference voltage pins/balls (continued)

| Supply | | | Package | |
|--------------------------|--------|--|---------|-----------|
| Symbol | Type | Description | 144LQFP | 257MAPBGA |
| V _{DD_HV_ADRE0} | Supply | High voltage Supply for digital portion of ADC pads Voltage reference of ADC/TSENS High voltage Supply for ADC0 pads and shared pads for ADC0/1. | 50 | R7 |
| V _{SS_HV_ADRE0} | Ground | High voltage Ground for digital portion of ADC pads Voltage reference Ground of ADC/TSENS High voltage Ground for ADC0 pads and shared pads for ADC0/1. | 51 | T7 |
| V _{DD_HV_ADRE1} | Supply | High voltage Supply for digital portion of ADC pads Voltage reference of ADC/TSENS High voltage Supply for ADC1 pads, shared pads for ADC1/3, and shared pads for ADC2/3. | 56 | R9 |
| V _{SS_HV_ADRE1} | Ground | High voltage Ground for digital portion of ADC pads Voltage reference Ground of ADC/TSENS High voltage Ground for ADC1 pads, shared pads for ADC1/3, and shared pads for ADC2/3. | 57 | T9 |
| V _{DD_LV_LFAST} | Supply | LFAST PLL low voltage Supply | — | N16 |
| V _{SS_LV_LFAST} | Ground | LFAST PLL low voltage Ground | — | N17 |
| V _{DD_LV_NEXUS} | Supply | Aurora LVDS Supply | — | J16 |
| V _{SS_LV_NEXUS} | Ground | Aurora LVDS Ground | — | K16 |

2.2.3 System pins/balls

The following table contains information about system pin functions for the devices.

Table 5. System pins/balls

| Symbol | Type | Description | 144LQFP | 257MAPBGA |
|-----------------------|--------|---|---------|-----------|
| NMI_B | Input | Non-maskable Interrupt | 1 | E4 |
| XTAL | Output | Output of the oscillator amplifier circuit | 29 | N1 |
| EXTAL | Input | Crystal oscillator input/external clock input | 30 | R1 |
| RESET_B | Input | Functional Reset | 31 | P2 |
| EXT_POR_B | Input | External Power On Reset | 130 | D6 |
| VPP_TEST ¹ | Input | SoC Test Mode | 107 | D15 |
| JCOMP | Input | JTAGC, JTAG Compliance Enable | 123 | A6 |
| TCK | Input | JTAGC, Test Clock Input | 88 | H17 |
| TMS | Input | JTAGC, Test Mode Select | 87 | H15 |
| TDO | Output | JTAGC, Test Data Out | 89 | G14 |

Table continues on the next page...

Table 5. System pins/balls (continued)

| Symbol | Type | Description | 144LQFP | 257MAPBGA |
|--------------|--------|---|---------|------------|
| TDI | Input | JTAGC, Test Data Input | 86 | J17 |
| MDO[0] | Output | NEXUS, Message data out pins; reflects the state of the internal power on reset signal until RESET is negated | 9 | G1 |
| MDO[3:1] | Output | NEXUS, Message data out pins | 4,5,8 | E1, F1, E2 |
| EVTO | Output | NEXUS, Event Out Pin | 24 | K2 |
| EVTI | Input | NEXUS, Event In Pin | 25 | L2 |
| MCKO | Output | NEXUS, Message clock out pin | 19 | J4 |
| MSEO[1:0] | Output | NEXUS, Message Start/End out pin | 20, 23 | J3, K3 |
| RDY_B | Output | NEXUS, Read/Write Transfer completed | — 16 | J2 K1 |
| BCTRL | Output | Base control signal of external npn ballast | 69 | R13 |
| J[11], J[10] | -- | FSL Factory Test ² | — | L17, K17 |

1. VPP_TEST must be connected to ground.
2. Do not connect on the board.

2.2.4 LVDS pins/balls

The following tables contain information on LVDS pin functions for the devices.

Table 6. SIPI LFAST LVDS pin descriptions

| Functional block | Port pin | Signal | Signal description | Direction | 257MAPBGA |
|---------------------------|--------------------|---------------|--|-----------|-----------|
| SIPI LFAST ^{1,2} | I[5] | LFAST_TX N | SIPI/ LFAST, LVDS Transmit Negative Terminal | O | N15 |
| | C[12] ³ | LFAST_TX P | SIPI/ LFAST, LVDS Transmit Positive Terminal | O | M14 |
| | I[6] | LFAST_RX N | SIPI/ LFAST, LVDS Receive Negative Terminal | I | M15 |
| | G[7] ³ | LFAST_RX P | SIPI/ LFAST, LVDS Receive Positive Terminal | I | M16 |

1. DRCLK and TCK/DRCLK usage for SIPI LFAST are described in the reference manual's SIPI LFAST chapters.
2. For the MSCR SSS value of the port pin, see [Table 1](#).
3. The 144LQFP package has G[7] and C[12] but no SIPI LFAST functionality.

CAUTION

SIPI LFAST pins are muxed with GPIOs. Do not use GPIO and SIPI LFAST functionality in parallel.

Table 7. Aurora LVDS pin descriptions

| Functional block | Pad | Signal | Signal description | Direction | 257MAPBGA ¹ |
|-------------------------------|-------|--------|--|-----------|------------------------|
| Nexus Aurora High Speed Trace | G[12] | TX0P | Nexus Aurora High Speed Trace Lane 0, LVDS Positive Terminal | O | H14 |
| | G[13] | TX0N | Nexus Aurora High Speed Trace Lane 0, LVDS Negative Terminal | O | J14 |
| | G[14] | TX1P | Nexus Aurora High Speed Trace Lane 1, LVDS Positive Terminal | O | L15 |
| | G[15] | TX1N | Nexus Aurora High Speed Trace Lane 1, LVDS Negative Terminal | O | K14 |
| | H[0] | CLKP | Nexus Aurora High Speed Trace Clock, LVDS Positive Terminal | I | K15 |
| | H[1] | CLKN | Nexus Aurora High Speed Trace Clock, LVDS Negative Terminal | I | J15 |

1. Nexus Aurora High Speed Trace is available only on the 257MAPBGA.

2.2.5 Generic pins/balls

The I/O signal descriptions for the device are in the following table. It contains the port definition, multiplexing, direction, pad type, and package pin/ball numbers for each I/O pin on the device.

MSCR registers are used for alternative (ALT) mode selection and programming of pad control options.

IMCR registers are used to configure input muxing by peripheral. See [Peripheral input muxing](#) for details.

For the pins which have Nexus functionality muxed with GPIO or other functions, the Nexus functionality of such pins is automatically set when the Nexus tool is connected to the device. The value in MSCR register may have value that does not correspond to Nexus functionality.

Table 8. Pin muxing

| Port Pin | SIUL2 MSCR/ IMCR Number | MSCR/ IMCR SSS Value ¹ | Signal | Module | Short Signal Description | Dir | LQFP144 | BGA257 |
|----------|-------------------------|-----------------------------------|---------|---------------|--------------------------------------|-----|---------|--------|
| A[0] | MSCR[0] | 0000 (Default) ² | GPIO[0] | SIUL2-GPIO[0] | General Purpose IO A[0] | I/O | 73 | P12 |
| | | 0001 | ETC0 | eTimer_0 | eTimer_0 Input/Output Data Channel 0 | I/O | | |
| | | 0010 | SCK | DSPI2 | DSPI 2 Input/Output Serial Clock | I/O | | |

Table continues on the next page...

Table 8. Pin muxing (continued)

| Port Pin | SIUL2 MSCR/ IMCR Number | MSCR/ IMCR SSS Value ¹ | Signal | Module | Short Signal Description | Dir | LQFP144 | BGA257 |
|----------|-------------------------|-----------------------------------|---------|---------------|--------------------------------------|-----|---------|--------|
| | | 0011-1111 | — | Reserved | — | — | | |
| | IMCR[48] | 0001 | SCK | DSPI2 | DSPI 2 Input Serial Clock | I | | |
| | IMCR[59] | 0010 | ETC0 | eTimer_0 | eTimer_0 Input Data Channel 0 | I | | |
| | IMCR[173] | 0001 | REQ0 | SIUL2 | SIUL2 External Interrupt 0 | I | | |
| A[1] | MSCR[1] | 0000 (Default) | GPIO[1] | SIUL2-GPIO[1] | General Purpose IO A[1] | I/O | 74 | T14 |
| | | 0001 | ETC1 | eTimer_0 | eTimer_0 Input/Output Data Channel 1 | I/O | | |
| | | 0010 | SOUT | DSPI2 | DSPI 2 Serial Data Out | O | | |
| | | 0011-1111 | — | Reserved | — | — | | |
| | IMCR[60] | 0010 | ETC1 | eTimer_0 | eTimer_0 Input Data Channel 1 | I | | |
| | IMCR[174] | 0001 | REQ1 | SIUL2 | SIUL2 External Interrupt Source 1 | I | | |
| A[2] | MSCR[2] | 0000 (Default) | GPIO[2] | SIUL2-GPIO[2] | General Purpose IO A[2] | I/O | 84 | L14 |
| | | 0001 | ETC2 | eTimer_0 | eTimer_0 Input/Output Data Channel 2 | I/O | | |
| | | 0010 | — | Reserved | — | — | | |
| | | 0011 | A3 | FlexPWM_0 | FlexPWM_0 Channel A Input/Output 3 | I/O | | |
| | | 0100-1111 | — | Reserved | — | — | | |
| | IMCR[169] | 0000 (Default) | ABS0 | MC_RGM | RGM external boot mode 1 | I | | |
| | IMCR[47] | 0010 | SIN | DSPI2 | DSPI 2 Serial Data Input | I | | |
| | IMCR[61] | 0010 | ETC2 | eTimer_0 | eTimer_0 Input Data Channel 2 | I | | |
| | IMCR[97] | 0001 | A3 | FlexPWM_0 | FlexPWM_0 Channel A Input 3 | I | | |
| | IMCR[175] | 0001 | REQ2 | SIUL2 | SIUL2 External Interrupt Source 2 | I | | |
| A[3] | MSCR[3] | 0000 (Default) | GPIO[3] | SIUL2-GPIO[3] | General Purpose IO A[3] | I/O | 92 | G15 |
| | | 0001 | ETC3 | eTimer_0 | eTimer_0 Input/Output Data Channel 3 | I/O | | |
| | | 0010 | CS0 | DSPI2 | DSPI 2 Peripheral Chip Select 0 | I/O | | |
| | | 0011 | B3 | FlexPWM_0 | FlexPWM_0 Channel B Input/Output 3 | I/O | | |
| | | 0100-1111 | — | Reserved | — | — | | |
| | IMCR[171] | 0000 (Default) | ABS2 | MC_RGM | RGM external boot mode 2 | I | | |
| | IMCR[62] | 0010 | ETC3 | eTimer_0 | eTimer_0 Input Data Channel 3 | I | | |

Table continues on the next page...

Table 8. Pin muxing (continued)

| Port Pin | SIUL2 MSCR/IMCR Number | MSCR/IMCR SSS Value ¹ | Signal | Module | Short Signal Description | Dir | LQFP144 | BGA257 |
|----------|------------------------|----------------------------------|---------|---------------|--------------------------------------|-----|---------|--------|
| | IMCR[49] | 0001 | CS0 | DSPI2 | DSPI 2 Peripheral Chip Select 0 | I | | |
| | IMCR[98] | 0001 | B3 | FlexPWM_0 | FlexPWM_0 Channel B Input 3 | I | | |
| | IMCR[176] | 0001 | REQ3 | SIUL2 | SIUL2 External Interrupt Source 3 | I | | |
| A[4] | MSCR[4] | 0000 (Default) | GPIO[4] | SIUL2-GPIO[4] | General Purpose IO A[4] | I/O | 108 | D16 |
| | | 0001 | ETC0 | eTimer_1 | eTimer_1 Input/Output Data Channel 0 | I/O | | |
| | | 0010 | CS1 | DSPI2 | DSPI 2 Peripheral Chip Select 1 | O | | |
| | | 0011 | ETC4 | eTimer_0 | eTimer_0 Input/Output Data Channel 4 | I/O | | |
| | | 0100 | A2 | FlexPWM_1 | FlexPWM_1 Channel A Input/Output 2 | I/O | | |
| | | 0101-1111 | — | Reserved | — | — | | |
| | IMCR[112] | 0001 | A2 | FlexPWM_1 | FlexPWM_1 Channel A Input 2 | I | | |
| | IMCR[177] | 0001 | REQ4 | SIUL2 | SIUL2 External Interrupt Source 4 | I | | |
| | IMCR[172] | 0000 (Default) | FAB | MC_RGM | RGM Force Alternate Boot Mode | I | | |
| | IMCR[65] | 0001 | ETC0 | eTimer_1 | eTimer_1 Input Data Channel 0 | I | | |
| | IMCR[63] | 0011 | ETC4 | eTimer_0 | eTimer_0 Input Data Channel 4 | I | | |
| A[5] | MSCR[5] | 0000 (Default) | GPIO[5] | SIUL2-GPIO[5] | General Purpose IO A[5] | I/O | 14 | H4 |
| | | 0001 | CS0 | DSPI1 | DSPI 1 Peripheral Chip Select 0 | I/O | | |
| | | 0010 | ETC5 | eTimer_1 | eTimer_1 Input/Output Data Channel 5 | I/O | | |
| | | 0011 | CS7 | DSPI0 | DSPI 0 Peripheral Chip Select 7 | O | | |
| | | 0100-1111 | — | Reserved | — | — | | |
| | IMCR[70] | 0001 | ETC5 | eTimer_1 | eTimer_1 Input Data Channel 5 | I | | |
| | IMCR[178] | 0001 | REQ5 | SIUL2 | SIUL2 External Interrupt Source 5 | I | | |
| A[6] | MSCR[6] | 0000 (Default) | GPIO[6] | SIUL2-GPIO[6] | General Purpose IO A[6] | I/O | 2 | D1 |
| | | 0001 | SCK | DSPI1 | DSPI 1 Input/Output Serial Clock | I/O | | |
| | | 0010 | ETC2 | eTimer_2 | eTimer_2 Input/Output Data Channel 2 | I/O | | |
| | | 0011-1111 | — | Reserved | — | — | | |

Table continues on the next page...

Table 8. Pin muxing (continued)

| Port Pin | SIUL2 MSCR/IMCR Number | MSCR/IMCR SSS Value ¹ | Signal | Module | Short Signal Description | Dir | LQFP144 | BGA257 |
|----------|------------------------|----------------------------------|------------|----------------|--------------------------------------|-----|---------|--------|
| | IMCR[73] | 0001 | ETC2 | eTimer_2 | eTimer_2 Input Data Channel 2 | I | | |
| | IMCR[179] | 0001 | REQ6 | SIUL2 | SIUL2 External Interrupt Source 6 | I | | |
| A[7] | MSCR[7] | 0000 (Default) | GPIO[7] | SIUL2-GPIO[7] | General Purpose IO A[7] | I/O | 10 | G4 |
| | | 0001 | SOUT | DSPI1 | DSPI 1 Serial Data Out | O | | |
| | | 0010 | ETC3 | eTimer_2 | eTimer_2 Input/Output Data Channel 3 | I/O | | |
| | | 0011-1111 | — | Reserved | — | — | | |
| | IMCR[74] | 0001 | ETC3 | eTimer_2 | eTimer_2 Input Data Channel 3 | I | | |
| | IMCR[180] | 0001 | REQ7 | SIUL2 | SIUL2 External Interrupt Source 7 | I | | |
| A[8] | MSCR[8] | 0000 (Default) | GPIO[8] | SIUL2-GPIO[8] | General Purpose IO A[8] | I/O | 12 | H1 |
| | | 0001 | — | Reserved | — | — | | |
| | | 0010 | ETC4 | eTimer_2 | eTimer_2 Input/Output Data Channel 4 | I/O | | |
| | | 0011-1111 | — | Reserved | — | — | | |
| | IMCR[44] | 0001 | SIN | DSPI1 | DSPI 1 Serial Data Input | I | | |
| | IMCR[75] | 0001 | ETC4 | eTimer_2 | eTimer_2 Input Data Channel 4 | I | | |
| | IMCR[181] | 0001 | REQ8 | SIUL2 | SIUL2 External Interrupt Source 8 | I | | |
| A[9] | MSCR[9] | 0000 (Default) | GPIO[9] | SIUL2-GPIO[9] | General Purpose IO A[9] | I/O | 134 | A4 |
| | | 0001 | CS1 | DSPI2 | DSPI 2 Peripheral Chip Select 1 | O | | |
| | | 0010 | ETC5 | eTimer_2 | eTimer_2 Input/Output Data Channel 5 | I/O | | |
| | | 0011 | B3 | FlexPWM_0 | FlexPWM_0 Channel B Input/Output 3 | I/O | | |
| | | 0100-1111 | — | Reserved | — | — | | |
| | IMCR[76] | 0001 | ETC5 | eTimer_2 | eTimer_2 Input Data Channel 5 | I | | |
| | IMCR[98] | 0010 | B3 | FlexPWM_0 | FlexPWM_0 Channel B Input 3 | I | | |
| | IMCR[83] | 0001 | FAULT0 | FlexPWM_0 | FlexPWM_0 Fault Input 0 | I | | |
| | IMCR[206] | 0011 | SENT_RX[1] | SENT_0 | SENT 0 Receiver channel 1 | I | | |
| A[10] | MSCR[10] | 0000 (Default) | GPIO[10] | SIUL2-GPIO[10] | General Purpose IO A[10] | I/O | 118 | B11 |
| | | 0001 | CS0 | DSPI2 | DSPI 2 Peripheral Chip Select 0 | O | | |
| | | 0010 | B0 | FlexPWM_0 | FlexPWM_0 Channel B Input/Output 0 | I/O | | |

Table continues on the next page...

Table 8. Pin muxing (continued)

| Port Pin | SIUL2 MSCR/IMCR Number | MSCR/IMCR SSS Value ¹ | Signal | Module | Short Signal Description | Dir | LQFP144 | BGA257 |
|----------|------------------------|----------------------------------|------------|----------------|------------------------------------|-----|---------|--------|
| | | 0011 | X2 | FlexPWM_0 | FlexPWM_0 Auxiliary Input/Output 2 | I/O | | |
| | | 0100-1111 | — | Reserved | — | — | | |
| | IMCR[49] | 0010 | CS0 | DSPI2 | DSPI 2 Peripheral Chip Select 0 | I/O | | |
| | IMCR[89] | 0001 | B0 | FlexPWM_0 | FlexPWM_0 Channel B Input 0 | I | | |
| | IMCR[96] | 0001 | X2 | FlexPWM_0 | FlexPWM_0 Auxiliary Input 2 | I | | |
| | IMCR[182] | 0001 | REQ9 | SIUL2 | SIUL2 External Interrupt Source 9 | I | | |
| | IMCR[214] | 0011 | SENT_RX[1] | SENT_1 | SENT 1 Receiver channel 1 | I | | |
| A[11] | MSCR[11] | 0000 (Default) | GPIO[11] | SIUL2-GPIO[11] | General Purpose IO A[11] | I/O | 120 | D10 |
| | | 0001 | SCK | DSPI2 | DSPI 2 Input/Output Serial Clock | I/O | | |
| | | 0010 | A0 | FlexPWM_0 | FlexPWM_0 Channel A Input/Output 0 | I/O | | |
| | | 0011 | A2 | FlexPWM_0 | FlexPWM_0 Channel A Input/Output 2 | I/O | | |
| | | 0100-1111 | — | Reserved | — | — | | |
| | IMCR[48] | 0010 | SCK | DSPI2 | DSPI 2 Input Serial Clock | I | | |
| | IMCR[88] | 0001 | A0 | FlexPWM_0 | FlexPWM_0 Channel A Input 0 | I | | |
| | IMCR[94] | 0001 | A2 | FlexPWM_0 | FlexPWM_0 Channel A Input 2 | I | | |
| | IMCR[183] | 0001 | REQ10 | SIUL2 | SIUL2 External Interrupt Source 10 | I | | |
| A[12] | MSCR[12] | 0000 (Default) | GPIO[12] | SIUL2-GPIO[12] | General Purpose IO A[12] | I/O | 122 | D7 |
| | | 0001 | SOUT | DSPI2 | DSPI 2 Serial Data Out | O | | |
| | | 0010 | A2 | FlexPWM_0 | FlexPWM_0 Channel A Input/Output 2 | I/O | | |
| | | 0011 | B2 | FlexPWM_0 | FlexPWM_0 Channel B Input/Output 2 | I/O | | |
| | | 0100-1111 | — | Reserved | — | — | | |
| | IMCR[94] | 0010 | A2 | FlexPWM_0 | FlexPWM_0 Channel A Input 2 | I | | |
| | IMCR[95] | 0001 | B2 | FlexPWM_0 | FlexPWM_0 Channel B Input 2 | I | | |
| | IMCR[184] | 0001 | REQ11 | SIUL2 | SIUL2 External Interrupt Source 11 | I | | |
| A[13] | MSCR[13] | 0000 (Default) | GPIO[13] | SIUL2-GPIO[13] | General Purpose IO A[13] | I/O | 136 | C5 |
| | | 0001 | — | Reserved | — | — | | |
| | | 0010 | B2 | FlexPWM_0 | FlexPWM_0 Channel B Input/Output 2 | I/O | | |

Table continues on the next page...

Table 8. Pin muxing (continued)

| Port Pin | SIUL2 MSCR/IMCR Number | MSCR/IMCR SSS Value ¹ | Signal | Module | Short Signal Description | Dir | LQFP144 | BGA257 |
|----------|------------------------|----------------------------------|----------|----------------|--------------------------------------|-----|---------|--------|
| | | 0011-1111 | — | Reserved | — | — | | |
| | IMCR[83] | 0010 | FAULT0 | FlexPWM_0 | FlexPWM_0 Fault Input 0 | I | | |
| | IMCR[95] | 0010 | B2 | FlexPWM_0 | FlexPWM_0 Channel B Input 2 | I | | |
| | IMCR[47] | 0001 | SIN | DSPI2 | DSPI 2 Serial Data Input | I | | |
| | IMCR[185] | 0001 | REQ12 | SIUL2 | SIUL2 External Interrupt Source 12 | I | | |
| A[14] | MSCR[14] | 0000 (Default) | GPIO[14] | SIUL2-GPIO[14] | General Purpose IO A[14] | I/O | 143 | A3 |
| | | 0001 | TXD | CAN1 | CAN 1 Transmit Pin | O | | |
| | | 0010 | ETC4 | eTimer_1 | eTimer_1 Input/Output Data Channel 4 | I/O | | |
| | | 0011-1111 | — | Reserved | — | — | | |
| | IMCR[69] | 0001 | ETC4 | eTimer_1 | eTimer_1 Input Data Channel 4 | I | | |
| | IMCR[186] | 0001 | REQ13 | SIUL2 | SIUL2 External Interrupt Source 13 | I | | |
| A[15] | MSCR[15] | 0000 (Default) | GPIO[15] | SIUL2-GPIO[15] | General Purpose IO A[15] | I/O | 144 | D3 |
| | | 0001 | — | Reserved | — | — | | |
| | | 0010 | ETC5 | eTimer_1 | eTimer_1 Input/Output Data Channel 5 | I/O | | |
| | | 0011-1111 | — | Reserved | — | — | | |
| | IMCR[32] | 0001 | RXD | CAN0 | CAN 0 Receive Pin | I | | |
| | IMCR[33] | 0001 | RXD | CAN1 | CAN 1 Receive Pin | I | | |
| | IMCR[70] | 0010 | ETC5 | eTimer_1 | eTimer_1 Input Data Channel 5 | I | | |
| | IMCR[187] | 0001 | REQ14 | SIUL2 | SIUL2 External Interrupt Source 14 | I | | |
| B[0] | MSCR[16] | 0000 (Default) | GPIO[16] | SIUL2-GPIO[16] | General Purpose IO B[0] | I/O | 109 | C16 |
| | | 0001 | TXD | CAN0 | CAN 0 Transmit Pin | O | | |
| | | 0010 | ETC2 | eTimer_1 | eTimer_1 Input/Output Data Channel 2 | I/O | | |
| | | 0011 | DEBUG0 | SSCM | SSCM Debug Output 0 | O | | |
| | | 0100-1111 | — | Reserved | — | — | | |
| | IMCR[67] | 0001 | ETC2 | eTimer_1 | eTimer_1 Input Data Channel 2 | I | | |
| | IMCR[188] | 0001 | REQ15 | SIUL2 | SIUL2 External Interrupt Source 15 | I | | |
| B[1] | MSCR[17] | 0000 (Default) | GPIO[17] | SIUL2-GPIO[17] | General Purpose IO B[1] | I/O | 110 | C14 |
| | | 0001 | — | Reserved | — | — | | |
| | | 0010 | ETC3 | eTimer_1 | eTimer_1 Input/Output Data Channel 3 | I/O | | |

Table continues on the next page...

Table 8. Pin muxing (continued)

| Port Pin | SIUL2 MSCR/ IMCR Number | MSCR/ IMCR SSS Value ¹ | Signal | Module | Short Signal Description | Dir | LQFP144 | BGA257 |
|----------|-------------------------------|---|----------|--------------------|--|------------------------------------|---------|--------|
| | | 0011 | DEBUG1 | SSCM | SSCM Debug Output 1 | O | | |
| | | 0100-1111 | — | Reserved | — | — | | |
| | IMCR[32] | 0010 | RXD | CAN0 | CAN 0 Receive Pin | I | | |
| | IMCR[33] | 0010 | RXD | CAN1 | CAN 1 Receive Pin | I | | |
| | IMCR[68] | 0001 | ETC3 | eTimer_1 | eTimer_1 Input Data Channel 3 | I | | |
| | IMCR[189] | 0001 | REQ16 | SIUL2 | SIUL2 External Interrupt Source 16 | I | | |
| B[2] | MSCR[18] | 0000 (Default) | GPIO[18] | SIUL2- GPIO[18] | General Purpose IO B[2] | I/O | 114 | C12 |
| | | 0001 | TXD | LIN0 | LINFlexD 0 Transmit Pin | O | | |
| | | 0010 | CS4 | DSPI0 | DSPI 0 Peripheral Chip Select 4 | O | | |
| | | 0011 | DEBUG2 | SSCM | SSCM Debug Output 2 | O | | |
| | | 0100-1111 | — | Reserved | — | — | | |
| | | IMCR[190] | 0001 | REQ17 | SIUL2 | SIUL2 External Interrupt Source 17 | | |
| B[3] | MSCR[19] | 0000 (Default) | GPIO[19] | SIUL2- GPIO[19] | General Purpose IO B[3] | I/O | 116 | B12 |
| | | 0001 | — | Reserved | — | — | | |
| | | 0010 | CS5 | DSPI0 | DSPI 0 Peripheral Chip Select 5 | O | | |
| | | 0011 | DEBUG3 | SSCM | SSCM Debug Output 3 | O | | |
| | | 0100-1111 | — | Reserved | — | — | | |
| | | IMCR[165] | 0001 | RXD | LIN0 | LIN 0 Receive Pin | | |
| B[4] | MSCR[20] | 0 | GPIO[20] | SIUL2- GPIO[20] | General Purpose IO B[4] | I/O | 89 | G14 |
| | | 0001 (Default) | TDO | NPC_HNDSHK | NPC_HNDSHK Test Data Out (TDO) | O | | |
| | | 0010-1111 | — | Reserved | — | — | | |
| B[5] | MSCR[21] | 0000 (Default) | GPIO[21] | SIUL2- GPIO[21] | JTAGC Test Data In (TDI) ³ General Purpose IO B[5] | I/O | 86 | J17 |
| | | 0001 | CS7 | DSPI0 | DSPI 0 Peripheral Chip Select 7 | O | | |
| | | 0010-1111 | — | Reserved | — | — | | |
| B[6] | MSCR[22] | 0000 (Default) | GPIO[22] | SIUL2- GPIO[22] | General Purpose IO B[6] | I/O | 138 | B5 |
| | | 0001 | CLK_OUT | MC_CGM | CGM Clock out for off-chip use and observation | O | | |
| | | 0010 | CS2 | DSPI2 | DSPI 2 Peripheral Chip Select 2 | O | | |
| | | 0011-1111 | — | Reserved | — | — | | |

Table continues on the next page...

Table 8. Pin muxing (continued)

| Port Pin | SIUL2 MSCR/IMCR Number | MSCR/IMCR SSS Value ¹ | Signal | Module | Short Signal Description | Dir | LQFP144 | BGA257 |
|----------|------------------------|----------------------------------|--|---------------|------------------------------------|-----|---------|--------|
| | IMCR[191] | 0001 | REQ18 | SIUL2 | SIUL2 External Interrupt Source 18 | I | | |
| B[7] | MSCR[23] | 0000 (Default) | GPI[23] ⁴ ADC0_AN[0] | SIUL2-GPI[23] | General Purpose Input B[7] | I | 43 | R5 |
| | | 0001 | — | Reserved | — | — | | |
| | | 0010-1111 | — | Reserved | — | — | | |
| | IMCR[165] | 0010 | RXD | LIN0 | LIN 0 Receive Pin | I | | |
| B[8] | MSCR[24] | 0 | GPI[24] ⁴ ADC0_AN[1] | SIUL2-GPI[24] | General Purpose Input B[8] | I | 47 | P7 |
| | | 0001 | — | Reserved | — | — | | |
| | | 0010-1111 | — | Reserved | — | — | | |
| | IMCR[64] | 0001 | ETC5 | eTimer_0 | eTimer_0 Input Data Channel 5 | I | | |
| B[9] | MSCR[25] | 0000 (Default) | GPI[25] ⁴ ADC0_ADC1_AN[11] | SIUL2-GPI[25] | General Purpose Input B[9] | I | 52 | U7 |
| | | 0001 | — | Reserved | — | — | | |
| | | 0010-1111 | — | Reserved | — | — | | |
| B[10] | MSCR[26] | 0000 (Default) | GPI[26] ⁴ ADC0_ADC1_AN[12] | SIUL2-GPI[26] | General Purpose Input B[10] | I | 53 | R8 |
| | | 0001 | — | Reserved | — | — | | |
| | | 0010-1111 | — | Reserved | — | — | | |
| B[11] | MSCR[27] | 0000 (Default) | GPI[27] ⁴ ADC0_ADC1_AN[13] | SIUL2-GPI[27] | General Purpose Input B[11] | I | 54 | T8 |
| | | 0001 | — | Reserved | — | — | | |
| | | 0010-1111 | — | Reserved | — | — | | |
| B[12] | MSCR[28] | 0000 (Default) | GPI[28] ⁴ ADC0_ADC1_AN[14] | SIUL2-GPI[28] | General Purpose Input B[12] | I | 55 | U8 |
| | | 0001 | — | Reserved | — | — | | |
| | | 0010-1111 | — | Reserved | — | — | | |
| B[13] | MSCR[29] | 0000 (Default) | GPI[29] ⁴ ADC1_AN[0] | SIUL2-GPI[29] | General Purpose Input B[13] | I | 60 | R10 |
| | | 0001 | — | Reserved | — | — | | |
| | | 0010-1111 | — | Reserved | — | — | | |
| | IMCR[166] | 0001 | RXD | LIN1 | LIN 1 Receive Pin | I | | |
| B[14] | MSCR[30] | 0000 (Default) | GPI[30] ⁴ ADC1_AN[1] | SIUL2-GPI[30] | General Purpose Input B[14] | I | 64 | P11 |
| | | 0001 | — | Reserved | — | — | | |
| | | 0010-1111 | — | Reserved | — | — | | |

Table continues on the next page...

Table 8. Pin muxing (continued)

| Port Pin | SIUL2 MSCR/ IMCR Number | MSCR/ IMCR SSS Value ¹ | Signal | Module | Short Signal Description | Dir | LQFP144 | BGA257 |
|----------|-------------------------------|---|------------------------------------|--------------------|--|-----|---------|--------|
| | IMCR[63] | 0001 | ETC4 | eTimer_0 | eTimer_0 Input Data Channel 4 | I | | |
| | IMCR[192] | 0001 | REQ19 | SIUL2 | SIUL2 External Interrupt Source 19 | I | | |
| B[15] | MSCR[31] | 0000 (Default) | GPI[31] ⁴ ADC1_AN[2] | SIUL2-GPI[31] | General Purpose Input B[15] | I | 62 | R11 |
| | | 0001 | — | Reserved | — | — | | |
| | | 0010-1111 | — | Reserved | — | — | | |
| | IMCR[193] | 0001 | REQ20 | SIUL2 | SIUL2 External Interrupt Source 20 | I | | |
| C[0] | MSCR[32] | 0000 (Default) | GPI[32] ⁴ ADC1_AN[3] | SIUL2-GPI[32] | General Purpose Input C[0] | I | 66 | R12 |
| | | 0001 | — | Reserved | — | — | | |
| | | 0010-1111 | — | Reserved | — | — | | |
| C[1] | MSCR[33] | 0000 (Default) | GPI[33] ⁴ ADC0_AN[2] | SIUL2-GPI[33] | General Purpose Input C[1] | I | 41 | T4 |
| | | 0001 | — | Reserved | — | — | | |
| | | 0010-1111 | — | Reserved | — | — | | |
| C[2] | MSCR[34] | 0000 (Default) | GPI[34] ⁴ ADC0_AN[3] | SIUL2-GPI[34] | General Purpose Input C[2] | I | 45 | U5 |
| | | 0001 | — | Reserved | — | — | | |
| | | 0010-1111 | — | Reserved | — | — | | |
| C[4] | MSCR[36] | 0000 (Default) | GPIO[36] | SIUL2- GPIO[36] | General Purpose IO C[4] | I/O | 11 | H3 |
| | | 0001 | CS0 | DSPI0 | DSPI 0 Peripheral Chip Select 0 | I/O | | |
| | | 0010 | X1 | FlexPWM_0 | FlexPWM_0 Auxiliary Input/ Output 1 | I/O | | |
| | | 0011 | DEBUG4 | SSCM | SSCM Debug Output 4 | O | | |
| | | 0100-1111 | — | Reserved | — | — | | |
| | IMCR[93] | 0001 | X1 | FlexPWM_0 | FlexPWM_0 Auxiliary Input 1 | I | | |
| | IMCR[195] | 0001 | REQ22 | SIUL2 | SIUL2 External Interrupt Source 22 | I | | |
| C[5] | MSCR[37] | 0000 (Default) | GPIO[37] | SIUL2- GPIO[37] | General Purpose IO C[5] | I/O | 13 | G3 |
| | | 0001 | SCK | DSPI0 | DSPI 0 Input/Output Serial Clock | I/O | | |
| | | 0010 | — | Reserved | — | — | | |
| | | 0011 | DEBUG5 | SSCM | SSCM Debug Output 5 | O | | |
| | | 0100-1111 | — | Reserved | — | — | | |
| | IMCR[86] | 0001 | FAULT3 | FlexPWM_0 | FlexPWM_0 Fault Input 3 | I | | |

Table continues on the next page...

Table 8. Pin muxing (continued)

| Port Pin | SIUL2 MSCR/ IMCR Number | MSCR/ IMCR SSS Value ¹ | Signal | Module | Short Signal Description | Dir | LQFP144 | BGA257 |
|----------|-------------------------|-----------------------------------|----------|----------------|--------------------------------------|-----|---------|--------|
| | IMCR[196] | 0001 | REQ23 | SIUL2 | SIUL2 External Interrupt Source 23 | I | | |
| C[6] | MSCR[38] | 0000 (Default) | GPIO[38] | SIUL2-GPIO[38] | General Purpose IO C[6] | I/O | 142 | D4 |
| | | 0001 | SOUT | DSPI0 | DSPI 0 Serial Data Out | O | | |
| | | 0010 | B1 | FlexPWM_0 | FlexPWM_0 Channel B Input/Output 1 | I/O | | |
| | | 0011 | DEBUG6 | SSCM | SSCM Debug Output 6 | O | | |
| | | 0100-1111 | — | Reserved | — | — | | |
| | IMCR[92] | 0001 | B1 | FlexPWM_0 | FlexPWM_0 Channel B Input 1 | I | | |
| | IMCR[197] | 0001 | REQ24 | SIUL2 | SIUL2 External Interrupt Source 24 | I | | |
| C[7] | MSCR[39] | 0000 (Default) | GPIO[39] | SIUL2-GPIO[39] | General Purpose IO C[7] | I/O | 15 | J1 |
| | | 0001 | — | Reserved | — | — | | |
| | | 0010 | A1 | FlexPWM_0 | FlexPWM_0 Channel A Input/Output 1 | I/O | | |
| | | 0011 | DEBUG7 | SSCM | SSCM Debug Output 7 | O | | |
| | | 0100-1111 | — | Reserved | — | — | | |
| | IMCR[41] | 0001 | SIN | DSPI0 | DSPI 0 Serial Data Input | I | | |
| | IMCR[91] | 0001 | A1 | FlexPWM_0 | FlexPWM_0 Channel A Input 1 | I | | |
| C[10] | MSCR[42] | 0000 (Default) | GPIO[42] | SIUL2-GPIO[42] | General Purpose IO C[10] | I/O | 111 | B14 |
| | | 0001 | CS2 | DSPI2 | DSPI 2 Peripheral Chip Select 2 | O | | |
| | | 0010 | — | Reserved | — | — | | |
| | | 0011 | A3 | FlexPWM_0 | FlexPWM_0 Channel A Input/Output 3 | I/O | | |
| | | 0100-1111 | — | Reserved | — | — | | |
| | IMCR[84] | 0001 | FAULT1 | FlexPWM_0 | FlexPWM_0 Fault Input 1 | I | | |
| | IMCR[97] | 0010 | A3 | FlexPWM_0 | FlexPWM_0 Channel A Input 3 | I | | |
| C[11] | MSCR[43] | 0000 (Default) | GPIO[43] | SIUL2-GPIO[43] | General Purpose IO C[11] | I/O | 80 | P16 |
| | | 0001 | ETC4 | eTimer_0 | eTimer_0 Input/Output Data Channel 4 | I/O | | |
| | | 0010 | CS2 | DSPI2 | DSPI 2 Peripheral Chip Select 2 | O | | |
| | | 0011 | TX_ER | ENET_0 | Ethernet transmit Data Error | O | | |
| | | 0100 | CS0 | DSPI3 | DSPI 3 Peripheral Chip Select 0 | I/O | | |
| | | 0101-1111 | — | Reserved | — | — | | |

Table continues on the next page...

Table 8. Pin muxing (continued)

| Port Pin | SIUL2 MSCR/IMCR Number | MSCR/IMCR SSS Value ¹ | Signal | Module | Short Signal Description | Dir | LQFP144 | BGA257 |
|--------------------|------------------------|----------------------------------|------------|----------------|---|-----|---------|--------|
| | IMCR[52] | 0001 | CS0 | DSPI3 | DSPI 3 Peripheral Chip Select 0 ^a | I | | |
| | IMCR[63] | 0100 | ETC4 | eTimer_0 | eTimer_0 Input Data Channel 4 | I | | |
| C[12] ⁵ | MSCR[44] | 0000 (Default) | GPIO[44] | SIUL2-GPIO[44] | General Purpose IO C[12] | I/O | 82 | M14 |
| | | 0001 | ETC5 | eTimer_0 | eTimer_0 Input/Output Data Channel 5 ⁶ | I/O | | |
| | | 0010 | CS3 | DSPI2 | DSPI 2 Peripheral Chip Select 3 | O | | |
| | | 0011 | LFAST_TXP | LFAST | SIPI/LFAST LVDS transmit positive terminal | O | | |
| | | 0100 | CS1 | DSPI3 | DSPI 3 Peripheral Chip Select 1 | O | | |
| | | 0101-1111 | — | Reserved | — | — | | |
| | IMCR[213] | 0100 | SENT_RX[0] | SENT1 | SENT 1 Receiver Channel 0 | I | | |
| | IMCR[64] | 0011 | ETC5 | eTimer_0 | eTimer_0 Input Data Channel 5 | I | | |
| C[13] | MSCR[45] | 0000 (Default) | GPIO[45] | SIUL2-GPIO[45] | General Purpose IO C[13] | I/O | 101 | E15 |
| | | 0001 | ETC1 | eTimer_1 | eTimer_1 Input/Output Data Channel 1 | I/O | | |
| | | 0010-0011 | — | Reserved | — | — | | |
| | | 0100 | A0 | FlexPWM_1 | FlexPWM_1 Channel A Input/Output 0 | I/O | | |
| | | 0101-1111 | — | Reserved | — | — | | |
| | IMCR[38] | 0001 | EXT_IN | CTU_0 | CTU 0 External Trigger Input | I | | |
| | IMCR[66] | 0001 | ETC1 | eTimer_1 | eTimer_1 Input Data Channel 1 | I | | |
| | IMCR[87] | 0001 | EXT_SYNC | FlexPWM_0 | FlexPWM_0 External Trigger Input | I | | |
| | IMCR[105] | 0001 | A0 | FlexPWM_1 | FlexPWM_1 Channel A Input 0 | I | | |
| C[14] | MSCR[46] | 0000 (Default) | GPIO[46] | SIUL2-GPIO[46] | General Purpose IO C[14] | I/O | 103 | F14 |
| | | 0001 | ETC2 | eTimer_1 | eTimer_1 Input/Output Data Channel 2 | I/O | | |
| | | 0010 | EXT_TGR | CTU_0 | CTU0 External Trigger Output | O | | |
| | | 0011 | CS7 | DSPI1 | DSPI 1 Peripheral Chip Select 7 | O | | |
| | | 0100 | B0 | FlexPWM_1 | FlexPWM_1 Channel B Input/Output 0 | I/O | | |
| | | 0101-1111 | — | Reserved | — | — | | |
| | IMCR[67] | 0010 | ETC2 | eTimer_1 | eTimer_1 Input Data Channel 2 | I | | |
| | IMCR[106] | 0001 | B0 | FlexPWM_1 | FlexPWM_1 Channel B Input 0 | I | | |

Table continues on the next page...

Table 8. Pin muxing (continued)

| Port Pin | SIUL2 MSCR/IMCR Number | MSCR/IMCR SSS Value ¹ | Signal | Module | Short Signal Description | Dir | LQFP144 | BGA257 |
|----------|------------------------|----------------------------------|-----------|----------------|--------------------------------------|-----|---------|--------|
| C[15] | MSCR[47] | 0000 (Default) | GPIO[47] | SIUL2-GPIO[47] | General Purpose IO C[15] | I/O | 124 | A8 |
| | | 0001 | FR_A_TXEN | FLEXRAY | FlexRay Transmit Enable Channel A | O | | |
| | | 0010 | ETC0 | eTimer_1 | eTimer_1 Input/Output Data Channel 0 | I/O | | |
| | | 0011 | A1 | FlexPWM_0 | FlexPWM_0 Channel A Input/Output 1 | I/O | | |
| | | 0100-1111 | — | Reserved | — | — | | |
| | IMCR[38] | 0010 | EXT_IN | CTU_0 | CTU 0 External Trigger Input | I | | |
| | IMCR[65] | 0010 | ETC0 | eTimer_1 | eTimer_1 Input Data Channel 0 | I | | |
| | IMCR[87] | 0010 | EXT_SYNC | FlexPWM_0 | FlexPWM_0 External Sync Input | I | | |
| | IMCR[91] | 0010 | A1 | FlexPWM_0 | FlexPWM_0 Channel A Input 1 | I | | |
| D[0] | MSCR[48] | 0000 (Default) | GPIO[48] | SIUL2-GPIO[48] | General Purpose IO D[0] | I/O | 125 | B8 |
| | | 0001 | FR_A_TX | FLEXRAY | FlexRay Transmit Data Channel A | O | | |
| | | 0010 | ETC1 | eTimer_1 | eTimer_1 Input/Output Data Channel 1 | I/O | | |
| | | 0011 | B1 | FlexPWM_0 | FlexPWM_0 Channel B Input/Output 1 | I/O | | |
| | | 0100-1111 | — | Reserved | — | — | | |
| | IMCR[66] | 0010 | ETC1 | eTimer_1 | eTimer_1 Input Data Channel 1 | I | | |
| | IMCR[92] | 0010 | B1 | FlexPWM_0 | FlexPWM_0 Channel B Input 1 | I | | |
| D[1] | MSCR[49] | 0000 (Default) | GPIO[49] | SIUL2-GPIO[49] | General Purpose IO D[1] | I/O | 3 | E3 |
| | | 0001 | — | Reserved | — | — | | |
| | | 0010 | ETC2 | eTimer_1 | eTimer_1 Input/Output Data Channel 2 | I/O | | |
| | | 0011 | EXT_TGR | CTU_0 | CTU 0 External Trigger Output | O | | |
| | | 0100-1111 | — | Reserved | — | — | | |
| | IMCR[67] | 0011 | ETC2 | eTimer_1 | eTimer_1 Input Data Channel 2 | I | | |
| | IMCR[136] | 0001 | FR_A_RX | FLEXRAY | FlexRay Channel A Receive Pin | I | | |
| D[2] | MSCR[50] | 0000 (Default) | GPIO[50] | SIUL2-GPIO[50] | General Purpose IO D[2] | I/O | 140 | B4 |
| | | 0001 | — | Reserved | — | — | | |
| | | 0010 | ETC3 | eTimer_1 | eTimer_1 Input/Output Data Channel 3 | I/O | | |
| | | 0011 | X3 | FlexPWM_0 | FlexPWM_0 Auxiliary Input/Output 3 | I/O | | |

Table continues on the next page...

Table 8. Pin muxing (continued)

| Port Pin | SIUL2 MSCR/ IMCR Number | MSCR/ IMCR SSS Value ¹ | Signal | Module | Short Signal Description | Dir | LQFP144 | BGA257 |
|----------|-------------------------|-----------------------------------|------------|----------------|--------------------------------------|-----|---------|--------|
| | | 0100-1111 | — | Reserved | — | — | | |
| | IMCR[68] | 0010 | ETC3 | eTimer_1 | eTimer_1 Input Data Channel 3 | I | | |
| | IMCR[99] | 0001 | X3 | FlexPWM_0 | FlexPWM_0 Auxiliary Input 3 | I | | |
| | IMCR[137] | 0001 | FR_B_RX | FLEXRAY | FlexRay Channel B Receive Pin | I | | |
| D[3] | MSCR[51] | 0000 (Default) | GPIO[51] | SIUL2-GPIO[51] | General Purpose IO D[3] | I/O | 128 | A5 |
| | | 0001 | FR_B_TX | FLEXRAY | FlexRay Transmit Data Channel B | O | | |
| | | 0010 | ETC4 | eTimer_1 | eTimer_1 Input/Output Data Channel 4 | I/O | | |
| | | 0011 | A3 | FlexPWM_0 | FlexPWM_0 Channel A Input/Output 3 | I/O | | |
| | | 0100-1111 | — | Reserved | — | — | | |
| | IMCR[69] | 0010 | ETC4 | eTimer_1 | eTimer_1 Input Data Channel 4 | I | | |
| | IMCR[97] | 0011 | A3 | FlexPWM_0 | FlexPWM_0 Channel A Input 3 | I | | |
| D[4] | MSCR[52] | 0000 (Default) | GPIO[52] | SIUL2-GPIO[52] | General Purpose IO D[4] | I/O | 129 | B7 |
| | | 0001 | FR_B_TXEN | FLEXRAY | FlexRay Transmit Enable Channel B | O | | |
| | | 0010 | ETC5 | eTimer_1 | eTimer_1 Input/Output Data Channel 5 | I/O | | |
| | | 0011 | B3 | FlexPWM_0 | FlexPWM_0 Channel B Input/Output 3 | I/O | | |
| | | 0100-1111 | — | Reserved | — | — | | |
| | IMCR[70] | 0011 | ETC5 | eTimer_1 | eTimer_1 Input Data Channel 5 | I | | |
| | IMCR[98] | 0011 | B3 | FlexPWM_0 | FlexPWM_0 Channel B Input 3 | I | | |
| D[5] | MSCR[53] | 0000 (Default) | GPIO[53] | SIUL2-GPIO[53] | General Purpose IO D[5] | I/O | 33 | M4 |
| | | 0001 | CS3 | DSPI0 | DSPI 0 Peripheral Chip Select 3 | O | | |
| | | 0010 | — | Reserved | — | — | | |
| | | 0100 | SOUT | DSPI3 | DSPI 3 Serial Data Out | O | | |
| | | 0101-1111 | — | Reserved | — | — | | |
| | IMCR[85] | 0001 | FAULT2 | FlexPWM_0 | FlexPWM_0 Fault Input 2 | I | | |
| | IMCR[205] | 0001 | SENT_RX[0] | SENT0 | SENT 0 Receiver channel 0 | I | | |
| | IMCR[227] | 0001 | RX_D1 | ENET_0 | Ethernet MII/RMII receive data 1 | I | | |
| D[6] | MSCR[54] | 0000 (Default) | GPIO[54] | SIUL2-GPIO[54] | General Purpose IO D[6] | I/O | 34 | P3 |

Table continues on the next page...

Table 8. Pin muxing (continued)

| Port Pin | SIUL2 MSCR/IMCR Number | MSCR/IMCR SSS Value ¹ | Signal | Module | Short Signal Description | Dir | LQFP144 | BGA257 |
|----------|------------------------|----------------------------------|--|----------------|--------------------------------------|-----|---------|--------|
| | | 0001 | CS2 | DSPI0 | DSPI 0 Peripheral Chip Select 2 | O | | |
| | | 0010 | — | Reserved | — | — | | |
| | | 0011 | X3 | FlexPWM_0 | FlexPWM_0 Auxiliary Input/Output 3 | I/O | | |
| | | 0100 | SCK | DSPI3 | DSPI 3 Input/Output Serial Clock | I/O | | |
| | | 0101-1111 | — | Reserved | — | — | | |
| | IMCR[51] | 0001 | SCK | DSPI3 | DSPI 3 Input Serial Clock | I | | |
| | IMCR[84] | 0010 | FAULT1 | FlexPWM_0 | FlexPWM_0 Fault Input 1 | I | | |
| | IMCR[99] | 0010 | X3 | FlexPWM_0 | FlexPWM_0 Channel X Input 3 | I | | |
| | IMCR[226] | 0001 | RX_D0 | ENET_0 | Ethernet MII/RMII receive data 0 | I | | |
| D[7] | MSCR[55] | 0000 (Default) | GPIO[55] ⁷ SGEN OUT ⁸ | SIUL2-GPIO[55] | General Purpose IO D[7] | I/O | 37 | R4 |
| | | 0001 | CS3 | DSPI1 | DSPI 1 Peripheral Chip Select 3 | O | | |
| | | 0010 | — | Reserved | — | — | | |
| | | 0011 | CS4 | DSPI0 | DSPI 0 Peripheral Chip Select 4 | O | | |
| | | 0100-1111 | — | Reserved | — | — | | |
| | IMCR[50] | 0010 | SIN | DSPI3 | DSPI 3 Serial Data Input | I | | |
| | IMCR[213] | 0001 | SENT_RX[0] | SENT1 | SENT 1 Receiver channel 0 | I | | |
| | IMCR[225] | 0001 | RX_DV | ENET_0 | Ethernet Receive data valid | I | | |
| D[8] | MSCR[56] | 0000 (Default) | GPIO[56] | SIUL2-GPIO[56] | General Purpose IO D[8] | I/O | 32 | L4 |
| | | 0001 | CS2 | DSPI1 | DSPI 1 Peripheral Chip Select 2 | O | | |
| | | 0010 | ETC4 | eTimer_1 | eTimer_1 Input/Output Data Channel 4 | I/O | | |
| | | 0011 | CS5 | DSPI0 | DSPI 0 Peripheral Chip Select 5 | O | | |
| | | 0100-1111 | — | Reserved | — | — | | |
| | IMCR[69] | 0011 | ETC4 | eTimer_1 | eTimer_1 Input Data Channel 4 | I | | |
| | IMCR[86] | 0010 | FAULT3 | FlexPWM_0 | FlexPWM_0 Fault Input 3 | I | | |
| | IMCR[224] | 0001 | RX_CLK | ENET_0 | Ethernet Receive clock | I | | |
| D[9] | MSCR[57] | 0000 (Default) | GPIO[57] | SIUL2-GPIO[57] | General Purpose IO D[9] | I/O | 26 | N3 |
| | | 0001 | X0 | FlexPWM_0 | FlexPWM_0 Auxiliary Input/Output 0 | I/O | | |
| | | 0010 | TXD | LIN1 | LINFlexD 1 Transmit Pin | O | | |

Table continues on the next page...

Table 8. Pin muxing (continued)

| Port Pin | SIUL2 MSCR/ IMCR Number | MSCR/ IMCR SSS Value ¹ | Signal | Module | Short Signal Description | Dir | LQFP144 | BGA257 |
|----------|-------------------------|-----------------------------------|----------|----------------|------------------------------------|-----------------------------|---------|--------|
| | | 0011-1111 | — | Reserved | — | — | | |
| D[10] | MSCR[58] | 0000 (Default) | GPIO[58] | SIUL2-GPIO[58] | General Purpose IO D[10] | I/O | 76 | R16 |
| | | 0001 | A0 | FlexPWM_0 | FlexPWM_0 Channel A Input/Output 0 | I/O | | |
| | | 0010 | — | Reserved | — | — | | |
| | | 0011 | TX_D2 | ENET_0 | Ethernet MII transmit data | O | | |
| | | 0100 | CS0 | DSPI3 | DSPI 3 Peripheral Chip Select 0 | I/O | | |
| | | 0110-1111 | — | Reserved | — | — | | |
| | IMCR[52] | 0010 | CS0 | DSPI3 | DSPI 3 Peripheral chip Select 0 | I | | |
| | IMCR[59] | 0001 | ETC0 | eTimer_0 | eTimer_0 Input Data Channel 0 | I | | |
| | IMCR[88] | 0010 | A0 | FlexPWM_0 | FlexPWM_0 Channel A Input 0 | I | | |
| D[11] | MSCR[59] | 0000 (Default) | GPIO[59] | SIUL2-GPIO[59] | General Purpose IO D[11] | I/O | 78 | P17 |
| | | 0001 | B0 | FlexPWM_0 | FlexPWM_0 Channel B Input/Output 0 | I/O | | |
| | | 0010 | — | Reserved | — | — | | |
| | | 0011 | CS1 | DSPI3 | DSPI 3 Peripheral Chip Select 1 | O | | |
| | | 0100 | SCK | DSPI3 | DSPI 3 Input/Output Serial Clock | I/O | | |
| | | 0101-1111 | — | Reserved | — | — | | |
| | IMCR[51] | 0010 | SCK | DSPI3 | DSPI 3 Input Serial Clock | I | | |
| | IMCR[60] | 0001 | ETC1 | eTimer_0 | eTimer_0 Input Data Channel 1 | I | | |
| | IMCR[89] | 0010 | B0 | FlexPWM_0 | FlexPWM_0 Channel B Input 0 | I | | |
| D[12] | MSCR[60] | 0000 (Default) | GPIO[60] | SIUL2-GPIO[60] | General Purpose IO D[12] | I/O | 99 | F15 |
| | | 0001 | X1 | FlexPWM_0 | FlexPWM_0 Auxiliary Input/Output 1 | I/O | | |
| | | 0010 | CS6 | DSPI1 | DSPI 1 Peripheral Chip Select 6 | O | | |
| | | 0011 | CS2 | DSPI3 | DSPI 3 Peripheral Chip Select 2 | O | | |
| | | 0100 | SOUT | DSPI3 | DSPI 3 Serial Data Output | O | | |
| | | 0101-1111 | — | Reserved | — | — | | |
| | | IMCR[93] | 0010 | X1 | FlexPWM_0 | FlexPWM_0 Channel X Input 1 | | |
| | IMCR[166] | 0010 | RXD | LIN1 | LIN 1 Receive Pin | I | | |
| D[14] | MSCR[62] | 0000 (Default) | GPIO[62] | SIUL2-GPIO[62] | General Purpose IO D[14] | I/O | 105 | E17 |

Table continues on the next page...

Table 8. Pin muxing (continued)

| Port Pin | SIUL2 MSCR/ IMCR Number | MSCR/ IMCR SSS Value ¹ | Signal | Module | Short Signal Description | Dir | LQFP144 | BGA257 | |
|----------|-------------------------|-----------------------------------|---|---------------|-------------------------------------|-------------------------------|---------|--------|---|
| | | 0001 | B1 | FlexPWM_0 | FlexPWM_0 Channel B Input/ Output 1 | I/O | | | |
| | | 0010 | — | Reserved | — | — | | | |
| | | 0011 | CS3 | DSPI3 | DSPI 3 Peripheral Chip Select 3 | O | | | |
| | | 0100-1111 | — | Reserved | — | — | | | |
| | | IMCR[50] | 0011 | SIN | DSPI3 | DSPI 3 Serial Data Input | | | I |
| | | IMCR[62] | 0001 | ETC3 | eTimer_0 | eTimer_0 Input Data Channel 3 | | | I |
| | | IMCR[92] | 0011 | B1 | FlexPWM_0 | FlexPWM_0 Channel B Input 1 | | | I |
| E[0] | MSCR[64] | 0000 (Default) | GPI[64] ⁴ ADC1_AN[5]/ ADC3_AN[4] | SIUL2-GPI[64] | General Purpose Input E[0] | I | 68 | T13 | |
| | | 0001 | — | Reserved | — | — | | | |
| | | 0010-1111 | — | Reserved | — | — | | | |
| E[2] | MSCR[66] | 0000 (Default) | GPI[66] ⁴ ADC0_AN[5] | SIUL2-GPI[66] | General Purpose Input E[2] | I | 49 | U6 | |
| | | 0001 | — | Reserved | — | — | | | |
| | | 0010-1111 | — | Reserved | — | — | | | |
| E[4] | MSCR[68] | 0000 (Default) | GPI[68] ⁴ ADC0_AN[7] | SIUL2-GPI[68] | General Purpose Input E[4] | I | 42 | U4 | |
| | | 0001 | — | Reserved | — | — | | | |
| | | 0010-1111 | — | Reserved | — | — | | | |
| E[5] | MSCR[69] | 0000 (Default) | GPI[69] ⁴ ADC0_AN[8] | SIUL2-GPI[69] | General Purpose Input E[5] | I | 44 | T5 | |
| | | 0001 | — | Reserved | — | — | | | |
| | | 0010-1111 | — | Reserved | — | — | | | |
| E[6] | MSCR[70] | 0000 (Default) | GPI[70] ⁴ ADC0_ADC2_A N[4] | SIUL2-GPI[70] | General Purpose Input E[6] | I | 46 | R6 | |
| | | 0001 | — | Reserved | — | — | | | |
| | | 0010-1111 | — | Reserved | — | — | | | |
| E[7] | MSCR[71] | 0000 (Default) | GPI[71] ⁴ ADC0_AN[6] | SIUL2-GPI[71] | General Purpose Input E[7] | I | 48 | T6 | |
| | | 0001 | — | Reserved | — | — | | | |
| | | 0010-1111 | — | Reserved | — | — | | | |
| E[9] | MSCR[73] | 0000 | GPI[73] ⁴ ADC1_AN[7]/ ADC3_AN[6] | SIUL2-GPI[73] | General Purpose Input E[9] | I | 61 | U10 | |
| | | 0001 | — | Reserved | — | — | | | |
| | | 0010-1111 | — | Reserved | — | — | | | |

Table continues on the next page...

Table 8. Pin muxing (continued)

| Port Pin | SIUL2 MSCR/IMCR Number | MSCR/IMCR SSS Value ¹ | Signal | Module | Short Signal Description | Dir | LQFP144 | BGA257 |
|-----------|------------------------|----------------------------------|---|-----------------------------|--------------------------------------|-----|---------|--------|
| E[10] | MSCR[74] | 0000 (Default) | GPI[74] ⁴ ADC1_AN[8]/ ADC3_AN[7] | SIUL2-GPI[74] | General Purpose Input E[10] | I | 63 | T11 |
| | | 0001 | — | Reserved | — | — | | |
| | | 0010-1111 | — | Reserved | — | — | | |
| E[11] | MSCR[75] | 0000 (Default) | GPI[75] ⁴ ADC1_AN[4]/ ADC3_AN[3] | SIUL2-GPI[75] | General Purpose Input E[11] | I | 65 | U11 |
| | | 0001 | — | Reserved | — | — | | |
| | | 0010-1111 | — | Reserved | — | — | | |
| E[12] | MSCR[76] | 0000 (Default) | GPI[76] ⁴ ADC1_AN[6]/ ADC3_AN[5] | SIUL2-GPI[76] | General Purpose Input E[12] | I | 67 | T12 |
| | | 0001 | — | Reserved | — | — | | |
| | | 0010-1111 | — | Reserved | — | — | | |
| E[13] | MSCR[77] | 0000 (Default) | GPIO[77] | SIUL2-GPIO[77] | General Purpose IO E[13] | I/O | 117 | A11 |
| | | 0001 | ETC5 | eTimer_0 | eTimer_0 Input/Output Data Channel 5 | I/O | | |
| | | 0010 | CS3 | DSPI2 | DSPI 2 Peripheral Chip Select 3 | O | | |
| | | 0011 | CS4 | DSPI1 | DSPI 1 Peripheral Chip Select 4 | O | | |
| | | 0100 | SCK | DSPI3 | DSPI 3 Input/Output Serial Clock | I/O | | |
| | | 0101-1111 | — | Reserved | — | — | | |
| | IMCR[51] | 0011 | SCK | DSPI3 | DSPI 3 Input Serial Clock | I | | |
| | IMCR[198] | 0001 | REQ25 | SIUL2 | SIUL2 External Interrupt Source 25 | I | | |
| IMCR[64] | 0100 | ETC5 | eTimer_0 | eTimer_0 Input Data Channel | I | | | |
| E[14] | MSCR[78] | 0000 (Default) | GPIO[78] | SIUL2-GPIO[78] | General Purpose IO E[14] | I/O | 119 | B10 |
| | | 0001 | ETC5 | eTimer_1 | eTimer_1 Input/Output Data Channel 5 | I/O | | |
| | | 0010 | SOUT | DSPI3 | DSPI 3 Serial Data Out | O | | |
| | | 0011 | CS5 | DSPI1 | DSPI 1 Peripheral Chip Select 5 | O | | |
| | | 0100 | B2 | FlexPWM_1 | FlexPWM_1 Channel B Input/Output 2 | I/O | | |
| | | 0101-1111 | — | Reserved | — | — | | |
| | IMCR[70] | 0100 | ETC5 | eTimer_1 | eTimer_1 Input Data Channel 5 | I | | |
| IMCR[113] | 0001 | B2 | FlexPWM_1 | FlexPWM_1 Channel B Input 2 | I | | | |

Table continues on the next page...

Table 8. Pin muxing (continued)

| Port Pin | SIUL2 MSCR/IMCR Number | MSCR/IMCR SSS Value ¹ | Signal | Module | Short Signal Description | Dir | LQFP144 | BGA257 |
|----------|------------------------|----------------------------------|----------|----------------|--|-----|---------|--------|
| | IMCR[199] | 0001 | REQ26 | SIUL2 | SIUL2 External Interrupt Source 26 | I | | |
| E[15] | MSCR[79] | 0000 (Default) | GPIO[79] | SIUL2-GPIO[79] | General Purpose IO E[15] | I/O | 121 | C8 |
| | | 0001 | CS1 | DSPI0 | DSPI 0 Peripheral Chip Select 1 | O | | |
| | | 0010 | — | Reserved | — | — | | |
| | | 0011 | TIMER1 | ENET_0 | Ethernet TIMER Outputs (Output Compare Events) | O | | |
| | | 0100-1111 | — | Reserved | — | — | | |
| | IMCR[50] | 0100 | SIN | DSPI3 | DSPI 3 Serial Data Input | I | | |
| | IMCR[200] | 0001 | REQ27 | SIUL2 | SIUL2 External Interrupt Source 27 | I | | |
| F[0] | MSCR[80] | 0000 (Default) | GPIO[80] | SIUL2-GPIO[80] | General Purpose IO F[0] | I/O | 133 | B6 |
| | | 0001 | A1 | FlexPWM_0 | FlexPWM_0 Channel A Input/Output 1 | I/O | | |
| | | 0010 | CS3 | DSPI3 | DSPI 3 Peripheral Chip Select 3 | O | | |
| | | 0011 | MDC | ENET_0 | Ethernet MDIO clock output | O | | |
| | | 0100-1111 | — | Reserved | — | — | | |
| | IMCR[61] | 0001 | ETC2 | eTimer_0 | eTimer_0 Input Data Channel 2 | I | | |
| | IMCR[91] | 0011 | A1 | FlexPWM_0 | FlexPWM_0 Channel A Input 1 | I | | |
| | IMCR[201] | 0001 | REQ28 | SIUL2 | SIUL2 External Interrupt Source 28 | I | | |
| F[3] | MSCR[83] | 0000 (Default) | GPIO[83] | SIUL2-GPIO[83] | General Purpose IO F[3] | I/O | 139 | B3 |
| | | 0001 | CS6 | DSPI0 | DSPI 0 Peripheral Chip Select 6 | O | | |
| | | 0010 | — | Reserved | — | — | | |
| | | 0011 | CS2 | DSPI3 | DSPI 3 Peripheral Chip Select 2 | O | | |
| | | 0100 | TIMER2 | ENET_0 | Ethernet TIMER Outputs 2 (Output Compare Events) | O | | |
| | | 0101-1111 | — | Reserved | — | — | | |
| F[4] | MSCR[84] | 0000 (Default) | GPIO[84] | SIUL2-GPIO[84] | General Purpose IO F[4] | I/O | 4 | E1 |
| | | 0001 | — | Reserved | — | O | | |
| | | 0010 | MDO[3] | NPC_WRAPPER | Nexus - Message Data Out Pin 3 | O | | |
| | | 0011 | CS1 | DSPI3 | DSPI 3 Peripheral Chip Select 1 | O | | |

Table continues on the next page...

Table 8. Pin muxing (continued)

| Port Pin | SIUL2 MSCR/IMCR Number | MSCR/IMCR SSS Value ¹ | Signal | Module | Short Signal Description | Dir | LQFP144 | BGA257 |
|----------|------------------------|----------------------------------|-----------|----------------|---|-----|---------|--------|
| | | 0100-1111 | — | Reserved | — | — | | |
| F[5] | MSCR[85] | 0000 (Default) | GPIO[85] | SIUL2-GPIO[85] | General Purpose IO F[5] | I/O | 5 | F1 |
| | | 0001 | — | Reserved | — | O | | |
| | | 0010 | MDO[2] | NPC_WRAPPER | Nexus Message Data Out Pin 2 | O | | |
| | | 0011 | CS0 | DSPI3 | DSPI 3 Peripheral Chip Select 0 | I/O | | |
| | | 0100-1111 | — | Reserved | — | — | | |
| | IMCR[52] | 0011 | CS0 | DSPI3 | DSPI 3 Peripheral Chip Select 0 | I | | |
| F[6] | MSCR[86] | 0000 (Default) | GPIO[86] | SIUL2-GPIO[86] | General Purpose IO F[6] | I/O | 8 | E2 |
| | | 0001 | — | Reserved | — | I/O | | |
| | | 0010 | MDO[1] | NPC_WRAPPER | Nexus Message Data Out Pin 1 | O | | |
| | | 0011-1111 | — | Reserved | — | — | | |
| F[7] | MSCR[87] | 0000 (Default) | GPIO[87] | SIUL2-GPIO[87] | General Purpose IO F[7] | I/O | 19 | J4 |
| | | 0001 | — | Reserved | — | I/O | | |
| | | 0010 | MCKO | NPC_WRAPPER | Nexus Message Clock Out for development tools | O | | |
| | | 0011-1111 | — | Reserved | — | — | | |
| F[8] | MSCR[88] | 0000 (Default) | GPIO[88] | SIUL2-GPIO[88] | General Purpose IO F[8] | I/O | 20 | J3 |
| | | 0001 | — | Reserved | — | I/O | | |
| | | 0010 | MSEO_B[1] | NPC_WRAPPER | Nexus Message Start/End Out Pin 1 | O | | |
| | | 0011-1111 | — | Reserved | — | — | | |
| F[9] | MSCR[89] | 0000 (Default) | GPIO[89] | SIUL2-GPIO[89] | General Purpose IO F[9] | I/O | 23 | K3 |
| | | 0001 | — | Reserved | — | I/O | | |
| | | 0010 | MSEO_B[0] | NPC_WRAPPER | Nexus Message Start/End Out Pin 0 | O | | |
| | | 0011-1111 | — | Reserved | — | — | | |
| F[10] | MSCR[90] | 0000 (Default) | GPIO[90] | SIUL2-GPIO[90] | General Purpose IO F[10] | I/O | 24 | K2 |
| | | 0001 | — | Reserved | — | — | | |
| | | 0010 | EVTO_B | NPC_WRAPPER | Nexus Event Out Pin | O | | |
| | | 0011-1111 | — | Reserved | — | — | | |

Table continues on the next page...

Table 8. Pin muxing (continued)

| Port Pin | SIUL2 MSCR/IMCR Number | MSCR/IMCR SSS Value ¹ | Signal | Module | Short Signal Description | Dir | LQFP144 | BGA257 |
|-----------|------------------------|----------------------------------|----------|------------------------------------|--------------------------------------|-----|---------|--------|
| F[11] | MSCR[91] | 0000 (Default) | GPIO[91] | SIUL2-GPIO[91] | General Purpose IO F[11] | I/O | 25 | L2 |
| | | 0001 | — | Reserved | — | — | | |
| | | 0010 | EVTI_IN | NPC_WRAPPER | Nexus Event In Pin | I | | |
| | | 0011-1111 | — | Reserved | — | — | | |
| F[12] | MSCR[92] | 0000 (Default) | GPIO[92] | SIUL2-GPIO[92] | General Purpose IO F[12] | I/O | 106 | D17 |
| | | 0001 | ETC3 | eTimer_1 | eTimer_1 Input/Output Data Channel 3 | I/O | | |
| | | 0010-0011 | — | Reserved | — | — | | |
| | | 0100 | A1 | FlexPWM_1 | FlexPWM_1 Channel A Input/Output 1 | I/O | | |
| | | 0101-1111 | — | Reserved | — | — | | |
| | IMCR[68] | 0011 | ETC3 | eTimer_1 | eTimer_1 Input Data Channel 3 | I | | |
| | IMCR[109] | 0001 | A1 | FlexPWM_1 | FlexPWM_1 Channel A Input 1 | I | | |
| IMCR[203] | 0001 | REQ30 | SIUL2 | SIUL2 External Interrupt Source 30 | I | | | |
| F[13] | MSCR[93] | 0000 (Default) | GPIO[93] | SIUL2-GPIO[93] | General Purpose IO F[13] | I/O | 112 | A15 |
| | | 0001 | ETC4 | eTimer_1 | eTimer_1 Input/Output Data Channel 4 | I/O | | |
| | | 0010-0011 | — | Reserved | — | — | | |
| | | 0100 | B1 | FlexPWM_1 | FlexPWM_1 Channel A Input/Output 1 | I/O | | |
| | | 0101-1111 | — | Reserved | — | — | | |
| | IMCR[69] | 0100 | ETC4 | eTimer_1 | eTimer_1 Input Data Channel 4 | I | | |
| | IMCR[110] | 0001 | B1 | FlexPWM_1 | FlexPWM_1 Channel B Input 1 | I | | |
| IMCR[204] | 0001 | REQ31 | SIUL2 | SIUL2 External Interrupt Source 31 | I | | | |
| F[14] | MSCR[94] | 0000 (Default) | GPIO[94] | SIUL2-GPIO[94] | General Purpose IO F[14] | I/O | 115 | D12 |
| | | 0001 | TXD | LIN1 | LINFlexD 1 Transmit Pin | O | | |
| | | 0010 | TXD | CAN2 | CAN 2 Transmit Pin | O | | |
| | | 0011-1111 | — | Reserved | — | — | | |
| F[15] | MSCR[95] | 0000 (Default) | GPIO[95] | SIUL2-GPIO[95] | General Purpose IO F[15] | I/O | 113 | A13 |
| | | 0001 | — | Reserved | — | — | | |
| | | 0010-1111 | — | Reserved | — | — | | |
| | IMCR[166] | 0011 | RXD | LIN1 | LIN1 RXD | I | | |
| | IMCR[34] | 0001 | RXD | CAN2 | CAN2 RXD | I | | |

Table continues on the next page...

Table 8. Pin muxing (continued)

| Port Pin | SIUL2 MSCR/ IMCR Number | MSCR/ IMCR SSS Value ¹ | Signal | Module | Short Signal Description | Dir | LQFP144 | BGA257 |
|-------------------|-------------------------|-----------------------------------|-----------|-----------------|--------------------------------------|-----|---------|--------|
| G[2] | MSCR[98] | 0000 (Default) | GPIO[98] | SIUL2-GPIO[98] | General Purpose IO G[2] | I/O | 102 | F17 |
| | | 0001 | X2 | FlexPWM_0 | FlexPWM_0 Auxiliary Input/ Output 2 | I/O | | |
| | | 0010 | CS1 | DSPI1 | DSPI 1 Peripheral Chip Select 1 | O | | |
| | | 0011-1111 | — | Reserved | — | — | | |
| | IMCR[96] | 0010 | X2 | FlexPWM_0 | FlexPWM_0 Auxiliary Input 2 | I | | |
| G[3] | MSCR[99] | 0000 (Default) | GPIO[99] | SIUL2-GPIO[99] | General Purpose IO G[3] | I/O | 104 | E16 |
| | | 0001 | A2 | FlexPWM_0 | FlexPWM_0 Channel A Input/ Output 2 | I/O | | |
| | | 0010-1111 | — | Reserved | — | — | | |
| | IMCR[63] | 0010 | ETC4 | eTimer_0 | eTimer_0 Input Data Channel 4 | I | | |
| | IMCR[94] | 0011 | A2 | FlexPWM_0 | FlexPWM_0 Channel A Input 2 | I | | |
| G[4] | MSCR[100] | 0000 (Default) | GPIO[100] | SIUL2-GPIO[100] | General Purpose IO G[4] | I/O | 100 | F16 |
| | | 0001 | B2 | FlexPWM_0 | FlexPWM_0 Channel B Input/ Output 2 | I/O | | |
| | | 0010-1111 | — | Reserved | — | — | | |
| | IMCR[64] | 0010 | ETC5 | eTimer_0 | eTimer_0 Input Data Channel 5 | I | | |
| | IMCR[95] | 0011 | B2 | FlexPWM_0 | FlexPWM_0 Channel B Input 2 | I | | |
| G[5] | MSCR[101] | 0000 (Default) | GPIO[101] | SIUL2-GPIO[101] | General Purpose IO G[5] | I/O | 85 | M17 |
| | | 0001 | X3 | FlexPWM_0 | FlexPWM_0 Auxiliary Input/ Output 3 | I/O | | |
| | | 0010 | CS3 | DSPI2 | DSPI 2 Peripheral Chip Select 3 | O | | |
| | | 0011 | TX_EN | ENET_0 | Ethernet Transmit Data Valid | O | | |
| | | 0100-1111 | — | Reserved | — | — | | |
| | IMCR[99] | 0011 | X3 | FlexPWM_0 | FlexPWM_0 Auxiliary Input 3 | I | | |
| G[6] | MSCR[102] | 0000 (Default) | GPIO[102] | SIUL2-GPIO[102] | General Purpose IO G[6] | I/O | 98 | G17 |
| | | 0001 | A3 | FlexPWM_0 | FlexPWM_0 Channel A Input/ Output 3 | I/O | | |
| | | 0010-1111 | — | Reserved | — | — | | |
| | IMCR[97] | 0100 | A3 | FlexPWM_0 | FlexPWM_0 Channel A Input 3 | I | | |
| G[7] ⁵ | MSCR[103] | 0000 (Default) | GPIO[103] | SIUL2-GPIO[103] | General Purpose IO G[7] ⁹ | I/O | 83 | M16 |
| | | 0001 | B3 | FlexPWM_0 | FlexPWM_0 Channel B Input/ Output 3 | I/O | | |

Table continues on the next page...

Table 8. Pin muxing (continued)

| Port Pin | SIUL2 MSCR/ IMCR Number | MSCR/ IMCR SSS Value ¹ | Signal | Module | Short Signal Description | Dir | LQFP144 | BGA257 |
|----------|-------------------------|-----------------------------------|------------|-----------------|---|-----|---------|--------|
| | | 0010 | — | Reserved | — | — | | |
| | | 0011 | LFAST_RXP | LFAST | SIPI/LFAST LVDS receive positive terminal | I | | |
| | | 0100-1111 | — | Reserved | — | — | | |
| | IMCR[98] | 0100 | B3 | FlexPWM_0 | FlexPWM_0 Channel B Input 3 | I | | |
| G[8] | MSCR[104] | 0000 (Default) | GPIO[104] | SIUL2-GPIO[104] | General Purpose IO G[8] | I/O | 81 | N14 |
| | | 0001 | FR_DBG[0] | FLEXRAY | FlexRay Debug Strobe Signal 0 | O | | |
| | | 0010 | CS1 | DSPI0 | DSPI 0 Peripheral Chip Select 1 | O | | |
| | | 0011 | RMII_CLK | ENET_0 | Ethernet RMII Clock (used in MII to RMII Gaskets) | O | | |
| | | 0100-1111 | — | Reserved | — | — | | |
| | IMCR[83] | 0011 | FAULT0 | FlexPWM_0 | FlexPWM_0 Fault Input 0 | I | | |
| | IMCR[194] | 0001 | REQ21 | SIUL2 | SIUL2 External Interrupt Source 21 | I | | |
| | IMCR[205] | 0011 | SENT_RX[0] | SENT_0 | SENT 0 Receiver channel 0 | I | | |
| | IMCR[233] | 0001 | TX_CLK | ENET_0 | Ethernet Transmit Clock | I | | |
| G[9] | MSCR[105] | 0000 (Default) | GPIO[105] | SIUL2-GPIO[105] | General Purpose IO G[9] | I/O | 79 | P14 |
| | | 0001 | FR_DBG[1] | FLEXRAY | FlexRay Debug Strobe Signal 1 | O | | |
| | | 0010 | CS1 | DSPI1 | DSPI 1 Peripheral Chip Select 1 | O | | |
| | | 0011 | TX_D0 | ENET_0 | Ethernet MII/RMII transmit data 0 | O | | |
| | | 0100-1111 | — | Reserved | — | — | | |
| | IMCR[84] | 0011 | FAULT1 | FlexPWM_0 | FlexPWM_0 Fault Input 1 | I | | |
| | IMCR[202] | 0001 | REQ29 | SIUL2 | SIUL2 External Interrupt Source 29 | I | | |
| | IMCR[213] | 0011 | SENT_RX[0] | SENT_1 | SENT 1 Receiver channel 0 | I | | |
| G[10] | MSCR[106] | 0000 (Default) | GPIO[106] | SIUL2-GPIO[106] | General Purpose IO G[10] | I/O | 77 | R17 |
| | | 0001 | FR_DBG[2] | FLEXRAY | FlexRay Debug Strobe Signal 2 | O | | |
| | | 0010 | CS3 | DSPI2 | DSPI 2 Peripheral Chip Select 3 | O | | |
| | | 0011 | TX_D1 | ENET_0 | Ethernet MII/RMII transmit data 1 | O | | |
| | | 0100-1111 | — | Reserved | — | — | | |
| | IMCR[85] | 0010 | FAULT2 | FlexPWM_0 | FlexPWM_0 Fault Input 2 | I | | |
| | IMCR[206] | 0100 | SENT_RX[1] | SENT_0 | SENT 0 Receiver channel 1 | I | | |

Table continues on the next page...

Table 8. Pin muxing (continued)

| Port Pin | SIUL2 MSCR/IMCR Number | MSCR/IMCR SSS Value ¹ | Signal | Module | Short Signal Description | Dir | LQFP144 | BGA257 |
|-----------|------------------------|----------------------------------|------------|-----------------------------|--------------------------------------|-----|---------|--------|
| G[11] | MSCR[107] | 0000 (Default) | GPIO[107] | SIUL2-GPIO[107] | General Purpose IO G[11] | I/O | 75 | T15 |
| | | 0001 | FR_DBG[3] | FLEXRAY | FlexRay Debug Strobe Signal 3 | O | | |
| | | 0010 | — | Reserved | — | — | | |
| | | 0011 | TX_D3 | ENET_0 | Ethernet MII/RMII transmit data 3 | O | | |
| | | 0100-1111 | — | Reserved | — | — | | |
| | IMCR[86] | 0011 | FAULT3 | FlexPWM_0 | FlexPWM_0 Fault Input 3 | I | | |
| | IMCR[214] | 0100 | SENT_RX[1] | SENT_1 | SENT 1 Receiver channel 1 | I | | |
| H[4] | MSCR[116] | 0000 (Default) | GPIO[116] | SIUL2-GPIO[116] | General Purpose IO H[4] | I/O | | F4 |
| | | 0001 | X0 | FlexPWM_1 | FlexPWM_1 Auxiliary Input/Output 0 | I/O | | |
| | | 0010 | ETC0 | eTimer_2 | eTimer_2 Input/Output Data Channel 0 | I/O | | |
| | | 0011-1111 | — | Reserved | — | — | | |
| | IMCR[71] | 0001 | ETC0 | eTimer_2 | eTimer_2 Input Data Channel 0 | I | | |
| IMCR[231] | 0001 | CRS | ENET_0 | Ethernet MII Carrier Sense | I | | | |
| H[5] | MSCR[117] | 0000 (Default) | GPIO[117] | SIUL2-GPIO[117] | General Purpose IO H[5] | I/O | | F3 |
| | | 0001 | A0 | FlexPWM_1 | FlexPWM_1 Channel A Input/Output 0 | I/O | | |
| | | 0010 | — | Reserved | — | — | | |
| | | 0011 | CS4 | DSPI0 | DSPI 0 Peripheral Chip Select 4 | O | | |
| | | 0100-1111 | — | Reserved | — | — | | |
| | IMCR[105] | 0010 | A0 | FlexPWM_1 | FlexPWM_1 Channel A Input 0 | I | | |
| IMCR[230] | 0001 | COL | ENET_0 | Ethernet MII Collision | I | | | |
| H[6] | MSCR[118] | 0000 (Default) | GPIO[118] | SIUL2-GPIO[118] | General Purpose IO H[6] | I/O | | C13 |
| | | 0001 | B0 | FlexPWM_1 | FlexPWM_1 Channel B Input/Output 0 | I/O | | |
| | | 0010 | — | Reserved | — | — | | |
| | | 0011 | CS5 | DSPI0 | DSPI 0 Peripheral Chip Select 5 | O | | |
| | | 0100-1111 | — | Reserved | — | — | | |
| IMCR[106] | 0010 | B0 | FlexPWM_1 | FlexPWM_1 Channel B Input 0 | I | | | |
| H[7] | MSCR[119] | 0000 (Default) | GPIO[119] | SIUL2-GPIO[119] | General Purpose IO H[7] | I/O | | F2 |
| | | 0001 | X1 | FlexPWM_1 | FlexPWM_1 Auxiliary Input/Output 1 | I/O | | |

Table continues on the next page...

Table 8. Pin muxing (continued)

| Port Pin | SIUL2 MSCR/ IMCR Number | MSCR/ IMCR SSS Value ¹ | Signal | Module | Short Signal Description | Dir | LQFP144 | BGA257 |
|----------|-------------------------|-----------------------------------|-----------|-----------------|--------------------------------------|-----|---------|--------|
| | | 0010 | ETC1 | eTimer_2 | eTimer_2 Input/Output Data Channel 1 | I/O | | |
| | | 0011 | MDIO | ENET_0 | Ethernet MDIO input/output data | I/O | | |
| | | 0100-1111 | — | Reserved | — | — | | |
| | IMCR[72] | 0001 | ETC1 | eTimer_2 | eTimer_2 Input Data Channel 1 | I | | |
| H[8] | MSCR[120] | 0000 (Default) | GPIO[120] | SIUL2-GPIO[120] | General Purpose IO H[8] | I/O | | L1 |
| | | 0001 | A1 | FlexPWM_1 | FlexPWM_1 Channel A Input/Output 1 | I/O | | |
| | | 0010 | — | Reserved | — | — | | |
| | | 0011 | CS6 | DSPI0 | DSPI 0 Peripheral Chip Select 6 | O | | |
| | | 0100-1111 | — | Reserved | — | — | | |
| | IMCR[109] | 0010 | A1 | FlexPWM_1 | FlexPWM_1 Channel A Input 1 | I | | |
| | IMCR[228] | 0001 | RX_D2 | ENET_0 | Ethernet MII Receive Data 2 | I | | |
| H[9] | MSCR[121] | 0000 (Default) | GPIO[121] | SIUL2-GPIO[121] | General Purpose IO H[9] | I/O | | B13 |
| | | 0001 | B1 | FlexPWM_1 | FlexPWM_1 Channel B Input/Output 1 | I/O | | |
| | | 0010 | — | Reserved | — | — | | |
| | | 0011 | CS7 | DSPI0 | DSPI 0 Peripheral Chip Select 7 | O | | |
| | | 0100-1111 | — | Reserved | — | — | | |
| | IMCR[110] | 0010 | B1 | FlexPWM_1 | FlexPWM_1 Channel B Input 1 | I | | |
| H[10] | MSCR[122] | 0000 (Default) | GPIO[122] | SIUL2-GPIO[122] | General Purpose IO H[10] | I/O | | C7 |
| | | 0001 | X2 | FlexPWM_1 | FlexPWM_1 Auxiliary Input/Output 2 | I/O | | |
| | | 0010 | ETC2 | eTimer_2 | eTimer_2 Input/Output Data Channel 2 | I/O | | |
| | | 0011-1111 | — | Reserved | — | — | | |
| | IMCR[73] | 0010 | ETC2 | eTimer_2 | eTimer_2 Input Data Channel 2 | I | | |
| H[11] | MSCR[123] | 0000 (Default) | GPIO[123] | SIUL2-GPIO[123] | General Purpose IO H[11] | I/O | | C9 |
| | | 0001 | A2 | FlexPWM_1 | FlexPWM_1 Channel A Input/Output 2 | I/O | | |
| | | 0010-1111 | — | Reserved | — | — | | |
| | IMCR[112] | 0010 | A2 | FlexPWM_1 | FlexPWM_1 Channel A Input 2 | I | | |
| H[12] | MSCR[124] | 0000 (Default) | GPIO[124] | SIUL2-GPIO[124] | General Purpose IO H[12] | I/O | | A7 |

Table continues on the next page...

Table 8. Pin muxing (continued)

| Port Pin | SIUL2 MSCR/IMCR Number | MSCR/IMCR SSS Value ¹ | Signal | Module | Short Signal Description | Dir | LQFP144 | BGA257 |
|----------|------------------------|----------------------------------|-----------|-----------------|--------------------------------------|-----|---------|--------|
| | | 0001 | B2 | FlexPWM_1 | FlexPWM_1 Channel B Input/Output 2 | I/O | | |
| | | 0010-1111 | — | Reserved | — | — | | |
| | IMCR[113] | 0010 | B2 | FlexPWM_1 | FlexPWM_1 Channel B Input 2 | I | | |
| H[13] | MSCR[125] | 0000 (Default) | GPIO[125] | SIUL2-GPIO[125] | General Purpose IO H[13] | I/O | | A14 |
| | | 0001 | X3 | FlexPWM_1 | FlexPWM_1 Auxiliary Input/Output 3 | I/O | | |
| | | 0010 | ETC3 | eTimer_2 | eTimer_2 Input/Output Data Channel 3 | I/O | | |
| | | 0011-1111 | — | Reserved | — | — | | |
| | IMCR[74] | 0010 | ETC3 | eTimer_2 | eTimer_2 Input Data Channel 3 | I | | |
| H[14] | MSCR[126] | 0000 (Default) | GPIO[126] | SIUL2-GPIO[126] | General Purpose IO H[14] | I/O | | P13 |
| | | 0001 | A3 | FlexPWM_1 | FlexPWM_1 Channel A Input/Output 3 | I/O | | |
| | | 0010 | ETC4 | eTimer_2 | eTimer_2 Input/Output Data Channel 4 | I/O | | |
| | | 0011-1111 | — | Reserved | — | — | | |
| | IMCR[75] | 0010 | ETC4 | eTimer_2 | eTimer_2 Input Data Channel 4 | I | | |
| H[15] | MSCR[127] | 0000 (Default) | GPIO[127] | SIUL2-GPIO[127] | General Purpose IO H[15] | I/O | | C17 |
| | | 0001 | B3 | FlexPWM_1 | FlexPWM_1 Channel B Input/Output 3 | I/O | | |
| | | 0010 | ETC5 | eTimer_2 | eTimer_2 Input/Output Data Channel 5 | I/O | | |
| | | 0011-1111 | — | Reserved | — | — | | |
| | IMCR[76] | 0010 | ETC5 | eTimer_2 | eTimer_2 Input Data Channel 5 | I | | |
| I[0] | MSCR[128] | 0000 (Default) | GPIO[128] | SIUL2-GPIO[128] | General Purpose IO I[0] | I/O | | C6 |
| | | 0001 | ETC0 | eTimer_2 | eTimer_2 Input/Output Data Channel 0 | I/O | | |
| | | 0010 | CS4 | DSPI0 | DSPI 0 Peripheral Chip Select 4 | O | | |
| | | 0011-1111 | — | Reserved | — | — | | |
| | IMCR[71] | 0010 | ETC0 | eTimer_2 | eTimer_2 Input Data Channel 0 | I | | |
| | IMCR[100] | 0001 | FAULT0 | FlexPWM_1 | FlexPWM_1 Fault Input 0 | I | | |
| I[1] | MSCR[129] | 0000 (Default) | GPIO[129] | SIUL2-GPIO[129] | General Purpose IO I[1] | I/O | | T3 |
| | | 0001 | ETC1 | eTimer_2 | eTimer_2 Input/Output Data Channel 1 | I/O | | |

Table continues on the next page...

Table 8. Pin muxing (continued)

| Port Pin | SIUL2 MSCR/ IMCR Number | MSCR/ IMCR SSS Value ¹ | Signal | Module | Short Signal Description | Dir | LQFP144 | BGA257 |
|-------------------|-------------------------|-----------------------------------|-----------|-----------------|--|-----|---------|--------|
| | | 0010 | CS5 | DSPI0 | DSPI 0 Peripheral Chip Select 5 | O | | |
| | | 0011-1111 | — | Reserved | — | — | | |
| | IMCR[72] | 0010 | ETC1 | eTimer_2 | eTimer_2 Input Data Channel 1 | I | | |
| | IMCR[101] | 0001 | FAULT1 | FlexPWM_1 | FlexPWM_1 Fault Input 1 | I | | |
| | IMCR[232] | 0001 | RX_ER | ENET_0 | Ethernet Receive Data Error | I | | |
| I[2] | MSCR[130] | 0000 (Default) | GPIO[130] | SIUL2-GPIO[130] | General Purpose IO I[2] | I/O | | D11 |
| | | 0001 | ETC2 | eTimer_2 | eTimer_2 Input/Output Data Channel 2 | I/O | | |
| | | 0010 | CS6 | DSPI0 | DSPI 0 Peripheral Chip Select 6 | O | | |
| | | 0011-1111 | — | Reserved | — | — | | |
| | IMCR[73] | 0011 | ETC2 | eTimer_2 | eTimer_2 Input Data Channel 2 | I | | |
| | IMCR[102] | 0001 | FAULT2 | FlexPWM_1 | FlexPWM_1 Fault Input 2 | I | | |
| I[3] | MSCR[131] | 0000 (Default) | GPIO[131] | SIUL2-GPIO[131] | General Purpose IO I[3] | I/O | | A10 |
| | | 0001 | ETC3 | eTimer_2 | eTimer_2 Input/Output Data Channel 3 | I/O | | |
| | | 0010 | CS7 | DSPI0 | DSPI 0 Peripheral Chip Select 7 | O | | |
| | | 0011 | EXT_TGR | CTU_0 | CTU0 External Trigger Output | O | | |
| | | 0100 | TIMER0 | ENET_0 | Ethernet TIMER Outputs 0 (Output Compare Events) | O | | |
| | | 0101-1111 | — | Reserved | — | — | | |
| | IMCR[74] | 0011 | ETC3 | eTimer_2 | eTimer_2 Input Data Channel 3 | I | | |
| | IMCR[103] | 0001 | FAULT3 | FlexPWM_1 | FlexPWM_1 Fault Input 3 | I | | |
| RDY_B/I[4] | MSCR[132] | 0000 (Default) | GPIO[132] | SIUL2-GPIO[132] | General Purpose IO I[4] | I/O | | J2 |
| | | 0001 | — | Reserved | — | — | | |
| | | 0010 | NEX_RDY_B | NPC_WRAPPER | Nexus data ready for transfer (RDY_B) | O | | |
| | | 0011-1111 | — | Reserved | — | — | | |
| I[5] ⁵ | MSCR[133] | 0000 (Default) | GPIO[133] | SIUL2-GPIO[133] | General Purpose IO I[5] ¹⁰ | I/O | | N15 |
| | | 0001 | TXD | CAN2 | CAN 2 Transmit Pin | O | | |
| | | 0010 | — | Reserved | — | — | | |
| | | 0011 | LFAST_TXN | LFAST | SIPI/LFAST LVDS transmit negative terminal | O | | |
| | | 0100-1111 | — | Reserved | — | — | | |

Table continues on the next page...

Table 8. Pin muxing (continued)

| Port Pin | SIUL2 MSCR/ IMCR Number | MSCR/ IMCR SSS Value ¹ | Signal | Module | Short Signal Description | Dir | LQFP144 | BGA257 |
|-------------------|-------------------------|-----------------------------------|----------------|-------------------------------|---|-----|---------|--------|
| I[6] ⁵ | MSCR[134] | 0000 (Default) | GPIO[134] | SIUL2-GPIO[134] | General Purpose IO I[6] ¹¹ | I/O | | M15 |
| | | 0001 | — | Reserved | — | — | | |
| | | 0010 | — | Reserved | — | — | | |
| | | 0011 | LFAST_RXN | LFAST | SIPI/LFAST LVDS receive negative terminal | I | | |
| | | 0100-1111 | — | Reserved | — | — | | |
| IMCR[34] | 0010 | RXD | CAN2 | CAN 2 Receive Pin | I | | | |
| I[7] | MSCR[135] | 0000 (Default) | GPIO[135] | SIUL2-GPIO[135] | General Purpose IO I[7] | I/O | | D2 |
| | | 0001 | LFAST_REF_C LK | MC_CGM | SIPI/LFAST Input/Output reference clock | I/O | | |
| | | 0010-1111 | — | Reserved | — | — | | |
| IMCR[205] | 0010 | SENT_RX[0] | SENT0 | SENT 0 Receiver channel 0 | I | | | |
| I[8] | MSCR[136] | 0000 (Default) | GPIO[136] | SIUL2-GPIO[136] | General Purpose IO I[8] | I/O | | K4 |
| | | 0001 | — | Reserved | — | — | | |
| | | 0010-1111 | — | Reserved | — | — | | |
| IMCR[213] | 0010 | SENT_RX[0] | SENT1 | SENT 1 Receiver channel 0 | I | | | |
| I[9] | MSCR[137] | 0000 (Default) | GPIO[137] | SIUL2-GPIO[137] | General Purpose IO I[9] | I/O | | L3 |
| | | 0001 | ETC4 | eTimer_2 | eTimer_2 Input/Output Data Channel 4 | I/O | | |
| | | 0010-1111 | — | Reserved | — | — | | |
| IMCR[75] | 0011 | ETC4 | eTimer_2 | eTimer_2 Input Data Channel 4 | I | | | |
| I[10] | MSCR[138] | 0000 (Default) | GPIO[138] | SIUL2-GPIO[138] | General Purpose IO I[10] | I/O | | M3 |
| | | 0001 | ETC5 | eTimer_2 | eTimer_2 Input/Output Data Channel 5 | I/O | | |
| | | 0010-1111 | — | Reserved | — | — | | |
| IMCR[76] | 0011 | ETC5 | eTimer_2 | eTimer_2 Input Data Channel 5 | I | | | |
| I[11] | MSCR[139] | 0000 (Default) | GPIO[139] | SIUL2-GPIO[139] | General Purpose IO I[11] | I/O | | U3 |
| | | 0001 | — | Reserved | — | — | | |
| | | 0010-1111 | — | Reserved | — | — | | |
| IMCR[206] | 0001 | SENT_RX[1] | SENT0 | SENT 0 Receiver channel 1 | I | | | |
| I[12] | MSCR[140] | 0000 (Default) | GPIO[140] | SIUL2-GPIO[140] | General Purpose IO I[12] | I/O | | P5 |
| | | 0001 | — | Reserved | — | — | | |
| | | 0010-1111 | — | Reserved | — | — | | |
| IMCR[214] | 0001 | SENT_RX[1] | SENT1 | SENT 1 Receiver channel 1 | I | | | |

Table continues on the next page...

Table 8. Pin muxing (continued)

| Port Pin | SIUL2 MSCR/IMCR Number | MSCR/IMCR SSS Value ¹ | Signal | Module | Short Signal Description | Dir | LQFP144 | BGA257 |
|----------|------------------------|----------------------------------|-----------|-----------------|--------------------------------------|-----|---------|--------|
| I[13] | MSCR[141] | 0000 | GPIO[141] | SIUL2-GPIO[141] | General Purpose IO I[13] | I/O | | P6 |
| | | 0001 | EXT_TGR | CTU_1 | CTU1 External Trigger Output | O | | |
| | | 0010-1111 | — | Reserved | — | — | | |
| I[14] | MSCR[142] | 0000 (Default) | GPIO[142] | SIUL2-GPIO[142] | General Purpose IO I[14] | I/O | | C10 |
| | | 0001 | CS0 | DSPI3 | DSPI 3 Peripheral Chip Select 0 | I/O | | |
| | | 0010-1111 | — | Reserved | — | — | | |
| | IMCR[52] | 0100 | CS0 | DSPI3 | DSPI 3 Peripheral Chip Select 0 | I | | |
| I[15] | MSCR[143] | 0000 (Default) | GPIO[143] | SIUL2-GPIO[143] | General Purpose IO I[15] | I/O | | C1 |
| | | 0001 | SCK | DSPI3 | DSPI 3 Input/Output Serial Clock | I/O | | |
| | | 0010-1111 | — | Reserved | — | — | | |
| | IMCR[51] | 0100 | SCK | DSPI3 | DSPI 3 Input Peripheral Serial Clock | I | | |
| J[0] | MSCR[144] | 0000 (Default) | GPIO[144] | SIUL2-GPIO[144] | General Purpose IO J[0] | I/O | | C2 |
| | | 0001 | SOUT | DSPI3 | DSPI 3 Serial Data Out | O | | |
| | | 0010-1111 | — | Reserved | — | — | | |
| J[1] | MSCR[145] | 0000 (Default) | GPIO[145] | SIUL2-GPIO[145] | General Purpose IO J[1] | I/O | | A12 |
| | | 0001 | — | Reserved | — | — | | |
| | | 0010-1111 | — | Reserved | — | — | | |
| | IMCR[50] | 0001 | SIN | DSPI3 | DSPI 3 Serial Data Input | I | | |
| J[2] | MSCR[146] | 0000 (Default) | GPIO[146] | SIUL2-GPIO[146] | General Purpose IO J[2] | I/O | | C11 |
| | | 0001 | CS1 | DSPI3 | DSPI 3 Peripheral Chip Select 1 | O | | |
| | | 0010-1111 | — | Reserved | — | — | | |
| J[3] | MSCR[147] | 0000 (Default) | GPIO[147] | SIUL2-GPIO[147] | General Purpose IO J[3] | I/O | | B15 |
| | | 0001 | CS2 | DSPI3 | DSPI 3 Peripheral Chip Select 2 | O | | |
| | | 0010-1111 | — | Reserved | — | — | | |
| J[4] | MSCR[148] | 0000 (Default) | GPIO[148] | SIUL2-GPIO[148] | General Purpose IO J[4] | I/O | | D13 |
| | | 0001 | CS3 | DSPI3 | DSPI 3 Peripheral Chip Select 3 | O | | |
| | | 0010-1111 | — | Reserved | — | — | | |

Table continues on the next page...

Table 8. Pin muxing (continued)

| Port Pin | SIUL2 MSCR/ IMCR Number | MSCR/ IMCR SSS Value ¹ | Signal | Module | Short Signal Description | Dir | LQFP144 | BGA257 |
|----------|-------------------------|-----------------------------------|--|---------------------|---------------------------------------|-----|---------|--------|
| | IMCR[39] | 0001 | EXT_IN | CTU_1 | CTU 1 External Trigger Input | I | | |
| J[5] | MSCR[149] | 0000 (Default) | GPI[149] ⁴ ADC2_ADC3_A N[0] | SIUL2- GPI[149] | General Purpose Input J[5] | I | | P8 |
| | | 0001 | — | Reserved | — | — | | |
| | | 0010-1111 | — | Reserved | — | — | | |
| | IMCR[206] | 0010 | SENT_RX[1] | SENT0 | SENT 0 Receiver channel 1 | I | | |
| J[6] | MSCR[150] | 0000 (Default) | GPI[150] ⁴ ADC2_ADC3_A N[1] | SIUL2- GPI[150] | General Purpose Input J[6] | I | | P9 |
| | | 0001 | — | Reserved | — | — | | |
| | | 0010-1111 | — | Reserved | — | — | | |
| | IMCR[214] | 0010 | SENT_RX[1] | SENT1 | SENT 1 Receiver channel 1 | I | | |
| J[7] | MSCR[151] | 0000 (Default) | GPI[151] ⁴ ADC2_ADC3_A N[2] | SIUL2- GPI[151] | General Purpose Input J[7] | I | | P10 |
| | | 0001 | — | Reserved | — | — | | |
| | | 0010-1111 | — | Reserved | — | — | | |
| J[8] | MSCR[152] | 0000 (Default) | GPIO[152] | SIUL2- GPIO[152] | General Purpose IO J[8] | I/O | 95 | G16 |
| | | 0001 | ETC4 | eTimer_2 | eTimer_2 Input/Output Data Channel 4 | I/O | | |
| | | 0010 | ETC2 | eTimer_2 | eTimer_2 Input/Output Data Channel 2 | I/O | | |
| | | 0011-1111 | — | Reserved | — | — | | |
| | IMCR[34] | 0011 | RXD | CAN2 | CAN 2 Receive Pin | I | | |
| | IMCR[73] | 0100 | ETC2 | eTimer_2 | eTimer_2 Input Data Channel 2 | I | | |
| J[9] | MSCR[153] | 0000 (Default) | GPIO[153] | SIUL2- GPIO[153] | General Purpose IO J[9] | I/O | 16 | K1 |
| | | 0001 | ETC5 | eTimer_2 | eTimer_2 Input/Output Data Channel 5 | I/O | | |
| | | 0010 | NEX_RDY_B | NPC | Nexus data ready for transfer (RDY_B) | O | | |
| | | 0011-1111 | — | Reserved | — | — | | |
| | IMCR[39] | 0010 | EXT_IN | CTU_1 | CTU_1 External Trigger Input | I | | |
| | IMCR[76] | 0100 | ETC5 | eTimer_2 | eTimer_2 Input Data Channel 5 | I | | |
| | IMCR[229] | 0001 | RX_D3 | ENET_0 | Ethernet MII Receive Data 3 | I | | |
| NMI_B | MSCR[154] | 0000 (Default) | NMI_B | Core | Non-Maskable Interrupt | I | 1 | E4 |

1. Selecting an alternative function with a "Reserved" source function causes the pin to enter a null state (input buffer and output buffer enables are both 0).

2. **(Default) = ALT mode configuration after reset.**
3. Changing the B[5] configuration during debug might affect the availability of TDI.
4. ADC analog input: Program corresponding MSCR APC bit and enable ADC to switch on the analog input path.
5. When the LFAST interface is selected the other functionality of the MSCR register is not available.
6. Shared with SIPI LFAST transmit pad SIPI_TXP. Alternative modes and GPIO must be disabled (OBE=0, IBE=0) if port is used for SIPI LFAST.
7. To operate D[7] as GPIO, disable the Sine Wave Generator (SGEN) and the peripheral bus clock of the SGEN: Program the MC_ME_PCTL239 register to select an MC_ME_RUN_PCn (or MC_ME_LP_PCn) configuration where the field for the desired mode is 0.
8. SGEN output if SGEN is enabled.
9. Shared with SIPI LFAST receive pad SIPI_RXP. Alternative modes and GPIO must be disabled (OBE=0, IBE=0) if port is used for SIPI LFAST.
10. Shared with SIPI LFAST receive pad SIPI_TXN. Alternative modes and GPIO must be disabled (OBE=0, IBE=0) if port is used for SIPI LFAST.
11. Shared with SIPI LFAST receive pad SIPI_RXN. Alternative modes and GPIO must be disabled (OBE=0, IBE=0) if port is used for SIPI LFAST.

The following table list ports that are not implemented. The corresponding control and data registers are not implemented.

Table 9. Ports - Not Implemented

| Port Name | Port Index |
|-----------|-------------|
| C | 3,8,9 |
| D | 13,15 |
| E | 1,3,8 |
| F | 1,2 |
| G | 0,1,[12:15] |
| H | [0:3] |
| J | [10:15] |

Any attempt to access unimplemented MSCRs generates a bus error. The read value from unimplemented ports must be masked in case of parallel port accesses.

2.2.6 Peripheral input muxing

The following table describes the peripheral muxing capabilities of the device.

Table 10. Peripheral muxing

| Destination peripheral | Destination functions | IMCR number | IMCR[SSS] field value | Source peripherals | Source functions |
|------------------------|-----------------------|-------------|-----------------------------|--------------------|-----------------------|
| FlexCAN_0 | RXD | IMCR[32] | 0000 (Default) ¹ | — | Disable |
| | | | 0001 | I/O-Pad | A[15] |
| | | | 0010 | I/O-Pad | B[1] |
| | | | 0011-1111 | — | Reserved ² |
| FlexCAN_1 | RXD | IMCR[33] | 0000 (Default) | — | Disable |

Table continues on the next page...

Table 10. Peripheral muxing (continued)

| Destination peripheral | Destination functions | IMCR number | IMCR[SSS] field value | Source peripherals | Source functions |
|------------------------|-----------------------|-------------|-----------------------|--------------------|------------------|
| | | | 0001 | I/O-Pad | A[15] |
| | | | 0010 | I/O-Pad | B[1] |
| | | | 0011-1111 | — | Reserved |
| FlexCAN_2 | RXD | IMCR[34] | 0000 (Default) | — | Disable |
| | | | 0001 | I/O-Pad | F[15] |
| | | | 0010 | I/O-Pad | I[6] |
| | | | 0011 | I/O-Pad | J[8] |
| | | | 0100-1111 | — | Reserved |
| CTU_0 | EXT_IN | IMCR[38] | 0000 (Default) | — | Disable |
| | | | 0001 | I/O-Pad | C[13] |
| | | | 0010 | I/O-Pad | C[15] |
| | | | 0011-1111 | — | Reserved |
| CTU_1 | EXT_IN | IMCR[39] | 0000 (Default) | — | Disable |
| | | | 0001 | I/O-Pad | J[4] |
| | | | 0010 | I/O-Pad | J[9] |
| | | | 0011-1111 | — | Reserved |
| DSPI_0 | SIN | IMCR[41] | 0000 (Default) | — | Disable |
| | | | 0001 | I/O-Pad | C[7] |
| | | | 0010-1111 | — | Reserved |
| DSPI_1 | SIN | IMCR[44] | 0000 (Default) | — | Disable |
| | | | 0001 | I/O-Pad | A[8] |
| | | | 0010-1111 | — | Reserved |
| DSPI_2 | SIN | IMCR[47] | 0000 (Default) | — | Disable |
| | | | 0001 | I/O-Pad | A[13] |
| | | | 0010 | I/O-Pad | A[2] |
| | | | 0011-1111 | — | Reserved |
| DSPI_2 | SCK | IMCR[48] | 0000 (Default) | — | Disable |
| | | | 0001 | I/O-Pad | A[0] |
| | | | 0010 | I/O-Pad | A[11] |
| | | | 0011-1111 | — | Reserved |
| DSPI_2 | SC0 | IMCR[49] | 0000 (Default) | — | Disable |
| | | | 0001 | I/O-Pad | A[3] |
| | | | 0010 | I/O-Pad | A[10] |
| | | | 0011-1111 | — | Reserved |
| DSPI_3 | SIN | IMCR[50] | 0000 (Default) | — | Disable |
| | | | 0001 | I/O-Pad | J[1] |
| | | | 0010 | I/O-Pad | D[7] |
| | | | 0011 | I/O-Pad | D[14] |
| | | | 0100 | I/O-Pad | E[15] |

Table continues on the next page...

Table 10. Peripheral muxing (continued)

| Destination peripheral | Destination functions | IMCR number | IMCR[SSS] field value | Source peripherals | Source functions |
|------------------------|-----------------------|-------------|-----------------------|--------------------|------------------|
| | | | 0101-1111 | — | Reserved |
| DSPI_3 | SCK | IMCR[51] | 0000 (Default) | — | Disable |
| | | | 0001 | I/O-Pad | D[6] |
| | | | 0010 | I/O-Pad | D[11] |
| | | | 0011 | I/O-Pad | E[13] |
| | | | 0100 | I/O-Pad | I[15] |
| | | | 0101-1111 | — | Reserved |
| DSPI_3 | CS0 | IMCR[52] | 0000 (Default) | — | Disable |
| | | | 0001 | I/O-Pad | C[11] |
| | | | 0010 | I/O-Pad | D[10] |
| | | | 0011 | I/O-Pad | F[5] |
| | | | 0100 | I/O-Pad | I[14] |
| | | | 0101-1111 | — | Reserved |
| eTimer_0 | ETC0 | IMCR[59] | 0000 (Default) | — | Disable |
| | | | 0001 | I/O-Pad | D[10] |
| | | | 0010 | I/O-Pad | A[0] |
| | | | 0011-1111 | — | Reserved |
| eTimer_0 | ETC1 | IMCR[60] | 0000 (Default) | — | Disable |
| | | | 0001 | I/O-Pad | D[11] |
| | | | 0010 | I/O-Pad | A[1] |
| | | | 0011-1111 | — | Reserved |
| eTimer_0 | ETC2 | IMCR[61] | 0000 (Default) | — | Disable |
| | | | 0001 | I/O-Pad | F[0] |
| | | | 0010 | I/O-Pad | A[2] |
| | | | 0011-1111 | — | Reserved |
| eTimer_0 | ETC3 | IMCR[62] | 0000 (Default) | — | Disable |
| | | | 0001 | I/O-Pad | D[14] |
| | | | 0010 | I/O-Pad | A[3] |
| | | | 0011-1111 | — | Reserved |
| eTimer_0 | ETC4 | IMCR[63] | 0000 (Default) | — | Disable |
| | | | 0001 | I/O-Pad | B[14] |
| | | | 0010 | I/O-Pad | G[3] |
| | | | 0011 | I/O-Pad | A[4] |
| | | | 0100 | I/O-Pad | C[11] |
| | | | 0101-1111 | — | Reserved |
| eTimer_0 | ETC5 | IMCR[64] | 0000 (Default) | — | Disable |
| | | | 0001 | I/O-Pad | B[8] |
| | | | 0010 | I/O-Pad | G[4] |
| | | | 0011 | I/O-Pad | C[12] |

Table continues on the next page...

Table 10. Peripheral muxing (continued)

| Destination peripheral | Destination functions | IMCR number | IMCR[SSS] field value | Source peripherals | Source functions |
|------------------------|-----------------------|-------------|-----------------------|--------------------|------------------|
| | | | 0100 | I/O-Pad | E[13] |
| | | | 0101-1111 | — | Reserved |
| eTimer_1 | ETC0 | IMCR[65] | 0000 (Default) | — | Disable |
| | | | 0001 | I/O-Pad | A[4] |
| | | | 0010 | I/O-Pad | C[15] |
| | | | 0011-1111 | — | Reserved |
| eTimer_1 | ETC1 | IMCR[66] | 0000 (Default) | — | Disable |
| | | | 0001 | I/O-Pad | C[13] |
| | | | 0010 | I/O-Pad | D[0] |
| | | | 0011-1111 | — | Reserved |
| eTimer_1 | ETC2 | IMCR[67] | 0000 (Default) | — | Disable |
| | | | 0001 | I/O-Pad | B[0] |
| | | | 0010 | I/O-Pad | C[14] |
| | | | 0011 | I/O-Pad | D[1] |
| | | | 0100-1111 | — | Reserved |
| eTimer_1 | ETC3 | IMCR[68] | 0000 (Default) | — | Disable |
| | | | 0001 | I/O-Pad | B[1] |
| | | | 0010 | I/O-Pad | D[2] |
| | | | 0011 | I/O-Pad | F[12] |
| | | | 0100-1111 | — | Reserved |
| eTimer_1 | ETC4 | IMCR[69] | 0000 (Default) | — | Disable |
| | | | 0001 | I/O-Pad | A[14] |
| | | | 0010 | I/O-Pad | D[3] |
| | | | 0011 | I/O-Pad | D[8] |
| | | | 0100 | I/O-Pad | F[13] |
| | | | 0101-1111 | — | Reserved |
| eTimer_1 | ETC5 | IMCR[70] | 0000 (Default) | — | Disable |
| | | | 0001 | I/O-Pad | A[5] |
| | | | 0010 | I/O-Pad | A[15] |
| | | | 0011 | I/O-Pad | D[4] |
| | | | 0100 | I/O-Pad | E[14] |
| | | | 0101-1111 | — | Reserved |
| eTimer_2 | ETC0 | IMCR[71] | 0000 (Default) | — | Disable |
| | | | 0001 | I/O-Pad | H[4] |
| | | | 0010 | I/O-Pad | I[0] |
| | | | 0011-1111 | — | Reserved |
| eTimer_2 | ETC1 | IMCR[72] | 0000 (Default) | — | Disable |
| | | | 0001 | I/O-Pad | H[7] |
| | | | 0010 | I/O-Pad | I[1] |

Table continues on the next page...

Table 10. Peripheral muxing (continued)

| Destination peripheral | Destination functions | IMCR number | IMCR[SSS] field value | Source peripherals | Source functions |
|------------------------|-----------------------|-------------|-----------------------|--------------------|------------------|
| | | | 0011-1111 | — | Reserved |
| eTimer_2 | ETC2 | IMCR[73] | 0000 (Default) | — | Disable |
| | | | 0001 | I/O-Pad | A[6] |
| | | | 0010 | I/O-Pad | H[10] |
| | | | 0011 | I/O-Pad | I[2] |
| | | | 0100 | I/O-Pad | J[8] |
| | | | 0101-1111 | — | Reserved |
| eTimer_2 | ETC3 | IMCR[74] | 0000 (Default) | — | Disable |
| | | | 0001 | I/O-Pad | A[7] |
| | | | 0010 | I/O-Pad | H[13] |
| | | | 0011 | I/O-Pad | I[3] |
| | | | 0100-1111 | — | Reserved |
| eTimer_2 | ETC4 | IMCR[75] | 0000 (Default) | — | Disable |
| | | | 0001 | I/O-Pad | A[8] |
| | | | 0010 | I/O-Pad | H[14] |
| | | | 0011 | I/O-Pad | I[9] |
| | | | 0100 | I/O-Pad | J[8] |
| | | | 0101-1111 | — | Reserved |
| eTimer_2 | ETC5 | IMCR[76] | 0000 (Default) | — | Disable |
| | | | 0001 | I/O-Pad | A[9] |
| | | | 0010 | I/O-Pad | H[15] |
| | | | 0011 | I/O-Pad | I[10] |
| | | | 0100 | I/O-Pad | J[9] |
| | | | 0101-1111 | — | Reserved |
| FlexPWM_0 | FAULT0 | IMCR[83] | 0000 (Default) | — | Disable |
| | | | 0001 | I/O-Pad | A[9] |
| | | | 0010 | I/O-Pad | A[13] |
| | | | 0011 | I/O-Pad | G[8] |
| | | | 0100-1111 | — | Reserved |
| FlexPWM_0 | FAULT1 | IMCR[84] | 0000 (Default) | — | Disable |
| | | | 0001 | I/O-Pad | C[10] |
| | | | 0010 | I/O-Pad | D[6] |
| | | | 0011 | I/O-Pad | G[9] |
| | | | 0100-1111 | — | Reserved |
| FlexPWM_0 | FAULT2 | IMCR[85] | 0000 (Default) | — | Disable |
| | | | 0001 | I/O-Pad | D[5] |
| | | | 0010 | I/O-Pad | G[10] |
| | | | 0011-1111 | — | Reserved |
| FlexPWM_0 | FAULT3 | IMCR[86] | 0000 (Default) | — | Disable |

Table continues on the next page...

Table 10. Peripheral muxing (continued)

| Destination peripheral | Destination functions | IMCR number | IMCR[SSS] field value | Source peripherals | Source functions |
|------------------------|-----------------------|-------------|-----------------------|--------------------|------------------|
| | | | 0001 | I/O-Pad | C[5] |
| | | | 0010 | I/O-Pad | D[8] |
| | | | 0011 | I/O-Pad | G[11] |
| | | | 0100-1111 | — | Reserved |
| FlexPWM_0 | EXT_SYNC | IMCR[87] | 0000 (Default) | — | Disable |
| | | | 0001 | I/O-Pad | C[13] |
| | | | 0010 | I/O-Pad | C[15] |
| | | | 0011-1111 | — | Reserved |
| FlexPWM_0 | A0 | IMCR[88] | 0000 (Default) | — | Disable |
| | | | 0001 | I/O-Pad | A[11] |
| | | | 0010 | I/O-Pad | D[10] |
| | | | 0011-1111 | — | Reserved |
| FlexPWM_0 | B0 | IMCR[89] | 0000 (Default) | — | Disable |
| | | | 0001 | I/O-Pad | A[10] |
| | | | 0010 | I/O-Pad | D[11] |
| | | | 0011-1111 | — | Reserved |
| FlexPWM_0 | A1 | IMCR[91] | 0000 (Default) | — | Disable |
| | | | 0001 | I/O-Pad | C[7] |
| | | | 0010 | I/O-Pad | C[15] |
| | | | 0011 | I/O-Pad | F[0] |
| | | | 0100-1111 | — | Reserved |
| FlexPWM_0 | B1 | IMCR[92] | 0000 (Default) | — | Disable |
| | | | 0001 | I/O-Pad | C[6] |
| | | | 0010 | I/O-Pad | D[0] |
| | | | 0011 | I/O-Pad | D[14] |
| | | | 0100-1111 | — | Reserved |
| FlexPWM_0 | X1 | IMCR[93] | 0000 (Default) | — | Disable |
| | | | 0001 | I/O-Pad | C[4] |
| | | | 0010 | I/O-Pad | D[12] |
| | | | 0011-1111 | — | Reserved |
| FlexPWM_0 | A2 | IMCR[94] | 0000 (Default) | — | Disable |
| | | | 0001 | I/O-Pad | A[11] |
| | | | 0010 | I/O-Pad | A[12] |
| | | | 0011 | I/O-Pad | G[3] |
| | | | 0100-1111 | — | Reserved |
| FlexPWM_0 | B2 | IMCR[95] | 0000 (Default) | — | Disable |
| | | | 0001 | I/O-Pad | A[12] |
| | | | 0010 | I/O-Pad | A[13] |
| | | | 0011 | I/O-Pad | G[4] |

Table continues on the next page...

Table 10. Peripheral muxing (continued)

| Destination peripheral | Destination functions | IMCR number | IMCR[SSS] field value | Source peripherals | Source functions |
|------------------------|-----------------------|-------------|-----------------------|--------------------|------------------|
| | | | 0100-1111 | — | Reserved |
| FlexPWM_0 | X2 | IMCR[96] | 0000 (Default) | — | Disable |
| | | | 0001 | I/O-Pad | A[10] |
| | | | 0010 | I/O-Pad | G[2] |
| | | | 0011-1111 | — | Reserved |
| FlexPWM_0 | A3 | IMCR[97] | 0000 (Default) | — | Disable |
| | | | 0001 | I/O-Pad | A[2] |
| | | | 0010 | I/O-Pad | C[10] |
| | | | 0011 | I/O-Pad | D[3] |
| | | | 0100 | I/O-Pad | G[6] |
| | | | 0101-1111 | — | Reserved |
| FlexPWM_0 | B3 | IMCR[98] | 0000 (Default) | — | Disable |
| | | | 0001 | I/O-Pad | A[3] |
| | | | 0010 | I/O-Pad | A[9] |
| | | | 0011 | I/O-Pad | D[4] |
| | | | 0100 | I/O-Pad | G[7] |
| | | | 0101-1111 | — | Reserved |
| FlexPWM_0 | X3 | IMCR[99] | 0000 (Default) | — | Disable |
| | | | 0001 | I/O-Pad | D[2] |
| | | | 0010 | I/O-Pad | D[6] |
| | | | 0011 | I/O-Pad | G[5] |
| | | | 0100-1111 | — | Reserved |
| FlexPWM_1 | FAULT0 | IMCR[100] | 0000 (Default) | — | Disable |
| | | | 0001 | I/O-Pad | I[0] |
| | | | 0010-1111 | — | Reserved |
| FlexPWM_1 | FAULT1 | IMCR[101] | 0000 (Default) | — | Disable |
| | | | 0001 | I/O-Pad | I[1] |
| | | | 0010-1111 | — | Reserved |
| FlexPWM_1 | FAULT2 | IMCR[102] | 0000 (Default) | — | Disable |
| | | | 0001 | I/O-Pad | I[2] |
| | | | 0010-1111 | — | Reserved |
| FlexPWM_1 | FAULT3 | IMCR[103] | 0000 (Default) | — | Disable |
| | | | 0001 | I/O-Pad | I[3] |
| | | | 0010-1111 | — | Reserved |
| FlexPWM_1 | A0 | IMCR[105] | 0000 (Default) | — | Disable |
| | | | 0001 | I/O-Pad | C[13] |
| | | | 0010 | I/O-Pad | H[5] |
| | | | 0011-1111 | — | Reserved |
| FlexPWM_1 | B0 | IMCR[106] | 0000 (Default) | — | Disable |

Table continues on the next page...

Table 10. Peripheral muxing (continued)

| Destination peripheral | Destination functions | IMCR number | IMCR[SSS] field value | Source peripherals | Source functions |
|------------------------|-----------------------|-------------|-----------------------|--------------------|------------------|
| | | | 0001 | I/O-Pad | C[14] |
| | | | 0010 | I/O-Pad | H[6] |
| | | | 0011-1111 | — | Reserved |
| FlexPWM_1 | A1 | IMCR[109] | 0000 (Default) | — | Disable |
| | | | 0001 | I/O-Pad | F[12] |
| | | | 0010 | I/O-Pad | H[8] |
| | | | 0011-1111 | — | Reserved |
| FlexPWM_1 | B1 | IMCR[110] | 0000 (Default) | — | Disable |
| | | | 0001 | I/O-Pad | F[13] |
| | | | 0010 | I/O-Pad | H[9] |
| | | | 0011-1111 | — | Reserved |
| FlexPWM_1 | A2 | IMCR[112] | 0000 (Default) | — | Disable |
| | | | 0001 | I/O-Pad | A[4] |
| | | | 0010 | I/O-Pad | H[11] |
| | | | 0011-1111 | — | Reserved |
| FlexPWM_1 | B2 | IMCR[113] | 0000 | — | Disable |
| | | | 0001 | I/O-Pad | E[14] |
| | | | 0010 | I/O-Pad | H[12] |
| | | | 0011-1111 | — | Reserved |
| FlexRay | FR_A_RX | IMCR[136] | 0000 (Default) | — | Disable |
| | | | 0001 | I/O-Pad | D[1] |
| | | | 0010-1111 | — | Reserved |
| FlexRay | FR_B_RX | IMCR[137] | 0000 (Default) | — | Disable |
| | | | 0001 | I/O-Pad | D[2] |
| | | | 0010-1111 | — | Reserved |
| LIN_0 | RXD | IMCR[165] | 0000 (Default) | — | Disable |
| | | | 0001 | I/O-Pad | B[3] |
| | | | 0010 | I/O-Pad | B[7] |
| | | | 0011-1111 | — | Reserved |
| LIN_1 | RXD | IMCR[166] | 0000 (Default) | — | Disable |
| | | | 0001 | I/O-Pad | B[13] |
| | | | 0010 | I/O-Pad | D[12] |
| | | | 0011 | I/O-Pad | F[15] |
| | | | 0100-1111 | — | Reserved |
| MC_RGM | ABS0 | IMCR[169] | 0000 (Default) | I/O-Pad | A[2] |
| | | | 0001 | — | Disable |
| | | | 0010-1111 | — | Reserved |
| MC_RGM | ABS2 | IMCR[171] | 0000 (Default) | I/O-Pad | A[3] |
| | | | 0001 | — | Disable |

Table continues on the next page...

Table 10. Peripheral muxing (continued)

| Destination peripheral | Destination functions | IMCR number | IMCR[SSS] field value | Source peripherals | Source functions |
|------------------------|-----------------------|-------------|-----------------------|--------------------|------------------|
| | | | 0010-1111 | — | Reserved |
| MC_RGM | FAB | IMCR[172] | 0000 (Default) | I/O-Pad | A[4] |
| | | | 0001 | — | Disable |
| | | | 0010-1111 | — | Reserved |
| SIUL | REQ0 | IMCR[173] | 0000 (Default) | — | Disable |
| | | | 0001 | I/O-Pad | A[0] |
| | | | 0010-1111 | — | Reserved |
| SIUL | REQ1 | IMCR[174] | 0000 (Default) | — | Disable |
| | | | 0001 | I/O-Pad | A[1] |
| | | | 0010-1111 | — | Reserved |
| SIUL | REQ2 | IMCR[175] | 0000 (Default) | — | Disable |
| | | | 0001 | I/O-Pad | A[2] |
| | | | 0010-1111 | — | Reserved |
| SIUL | REQ3 | IMCR[176] | 0000 (Default) | — | Disable |
| | | | 0001 | I/O-Pad | A[3] |
| | | | 0010-1111 | — | Reserved |
| SIUL | REQ4 | IMCR[177] | 0000 (Default) | — | Disable |
| | | | 0001 | I/O-Pad | A[4] |
| | | | 0010-1111 | — | Reserved |
| SIUL | REQ5 | IMCR[178] | 0000 (Default) | — | Disable |
| | | | 0001 | I/O-Pad | A[5] |
| | | | 0010-1111 | — | Reserved |
| SIUL | REQ6 | IMCR[179] | 0000 (Default) | — | Disable |
| | | | 0001 | I/O-Pad | A[6] |
| | | | 0010-1111 | — | Reserved |
| SIUL | REQ7 | IMCR[180] | 0000 (Default) | — | Disable |
| | | | 0001 | I/O-Pad | A[7] |
| | | | 0010-1111 | — | Reserved |
| SIUL | REQ8 | IMCR[181] | 0000 (Default) | — | Disable |
| | | | 0001 | I/O-Pad | A[8] |
| | | | 0010-1111 | — | Reserved |
| SIUL | REQ9 | IMCR[182] | 0000 (Default) | — | Disable |
| | | | 0001 | I/O-Pad | A[10] |
| | | | 0010-1111 | — | Reserved |
| SIUL | REQ10 | IMCR[183] | 0000 (Default) | — | Disable |
| | | | 0001 | I/O-Pad | A[11] |
| | | | 0010-1111 | — | Reserved |
| SIUL | REQ11 | IMCR[184] | 0000 (Default) | — | Disable |
| | | | 0001 | I/O-Pad | A[12] |

Table continues on the next page...

Table 10. Peripheral muxing (continued)

| Destination peripheral | Destination functions | IMCR number | IMCR[SSS] field value | Source peripherals | Source functions |
|------------------------|-----------------------|-------------|-----------------------|--------------------|------------------|
| | | | 0010-1111 | — | Reserved |
| SIUL | REQ12 | IMCR[185] | 0000 (Default) | — | Disable |
| | | | 0001 | I/O-Pad | A[13] |
| | | | 0010-1111 | — | Reserved |
| SIUL | REQ13 | IMCR[186] | 0000 (Default) | — | Disable |
| | | | 0001 | I/O-Pad | A[14] |
| | | | 0010-1111 | — | Reserved |
| SIUL | REQ14 | IMCR[187] | 0000 (Default) | — | Disable |
| | | | 0001 | I/O-Pad | A[15] |
| | | | 0010-1111 | — | Reserved |
| SIUL | REQ15 | IMCR[188] | 0000 (Default) | — | Disable |
| | | | 0001 | I/O-Pad | B[0] |
| | | | 0010-1111 | — | Reserved |
| SIUL | REQ16 | IMCR[189] | 0000 (Default) | — | Disable |
| | | | 0001 | I/O-Pad | B[1] |
| | | | 0010-1111 | — | Reserved |
| SIUL | REQ17 | IMCR[190] | 0000 (Default) | — | Disable |
| | | | 0001 | I/O-Pad | B[2] |
| | | | 0010-1111 | — | Reserved |
| SIUL | REQ18 | IMCR[191] | 0000 (Default) | — | Disable |
| | | | 0001 | I/O-Pad | B[6] |
| | | | 0010-1111 | — | Reserved |
| SIUL | REQ19 | IMCR[192] | 0000 (Default) | — | Disable |
| | | | 0001 | I/O-Pad | B[14] |
| | | | 0010-1111 | — | Reserved |
| SIUL | REQ20 | IMCR[193] | 0000 (Default) | — | Disable |
| | | | 0001 | I/O-Pad | B[15] |
| | | | 0010-1111 | — | Reserved |
| SIUL | REQ21 | IMCR[194] | 0000 (Default) | — | Disable |
| | | | 0001 | I/O-Pad | G[8] |
| | | | 0010-1111 | — | Reserved |
| SIUL | REQ22 | IMCR[195] | 0000 (Default) | — | Disable |
| | | | 0001 | I/O-Pad | C[4] |
| | | | 0010-1111 | — | Reserved |
| SIUL | REQ23 | IMCR[196] | 0000 (Default) | — | Disable |
| | | | 0001 | I/O-Pad | C[5] |
| | | | 0010-1111 | — | Reserved |
| SIUL | REQ24 | IMCR[197] | 0000 (Default) | — | Disable |
| | | | 0001 | I/O-Pad | C[6] |

Table continues on the next page...

Table 10. Peripheral muxing (continued)

| Destination peripheral | Destination functions | IMCR number | IMCR[SSS] field value | Source peripherals | Source functions |
|------------------------|-----------------------|-------------|-----------------------|--------------------|------------------|
| | | | 0010-1111 | — | Reserved |
| SIUL | REQ25 | IMCR[198] | 0000 (Default) | — | Disable |
| | | | 0001 | I/O-Pad | E[13] |
| | | | 0010-1111 | — | Reserved |
| SIUL | REQ26 | IMCR[199] | 0000 (Default) | — | Disable |
| | | | 0001 | I/O-Pad | E[14] |
| | | | 0010-1111 | — | Reserved |
| SIUL | REQ27 | IMCR[200] | 0000 (Default) | — | Disable |
| | | | 0001 | I/O-Pad | E[15] |
| | | | 0010-1111 | — | Reserved |
| SIUL | REQ28 | IMCR[201] | 0000 (Default) | — | Disable |
| | | | 0001 | I/O-Pad | F[0] |
| | | | 0010-1111 | — | Reserved |
| SIUL | REQ29 | IMCR[202] | 0000 (Default) | — | Disable |
| | | | 0001 | I/O-Pad | G[9] |
| | | | 0010-1111 | — | Reserved |
| SIUL | REQ30 | IMCR[203] | 0000 (Default) | — | Disable |
| | | | 0001 | I/O-Pad | F[12] |
| | | | 0010-1111 | — | Reserved |
| SIUL | REQ31 | IMCR[204] | 0000 (Default) | — | Disable |
| | | | 0001 | I/O-Pad | F[13] |
| | | | 0010-1111 | — | Reserved |
| SENT_0 | SENT_RX[0] | IMCR[205] | 0000 (Default) | — | Disable |
| | | | 0001 | I/O-Pad | D[5] |
| | | | 0010 | I/O-Pad | I[7] |
| | | | 0011 | I/O-Pad | G[8] |
| | | | 0100-1111 | — | Reserved |
| SENT_0 | SENT_RX[1] | IMCR[206] | 0000 (Default) | — | Disable |
| | | | 0001 | I/O-Pad | I[11] |
| | | | 0010 | I/O-Pad | J[5] |
| | | | 0011 | I/O-Pad | A[9] |
| | | | 0100 | I/O-Pad | G[10] |
| | | | 0101-1111 | — | Reserved |
| SENT_1 | SENT_RX[0] | IMCR[213] | 0000 (Default) | — | Disable |
| | | | 0001 | I/O-Pad | D[7] |
| | | | 0010 | I/O-Pad | I[8] |
| | | | 0011 | I/O-Pad | G[9] |
| | | | 0100 | I/O-Pad | C[12] |
| | | | 0101-1111 | — | Reserved |

Table continues on the next page...

Table 10. Peripheral muxing (continued)

| Destination peripheral | Destination functions | IMCR number | IMCR[SSS] field value | Source peripherals | Source functions |
|------------------------|-----------------------|-------------|-----------------------|--------------------|------------------|
| SENT_1 | SENT_RX[1] | IMCR[214] | 0000 (Default) | — | Disable |
| | | | 0001 | I/O-Pad | I[12] |
| | | | 0010 | I/O-Pad | J[6] |
| | | | 0011 | I/O-Pad | A[10] |
| | | | 0100 | I/O-Pad | G[11] |
| | | | 0101-1111 | — | Reserved |
| ENET_0 | RX_CLK | IMCR[224] | 0000 (Default) | — | Disable |
| | | | 0001 | I/O-Pad | D[8] |
| | | | 0010-1111 | — | Reserved |
| ENET_0 | RX_DV | IMCR[225] | 0000 (Default) | — | Disable |
| | | | 0001 | I/O-Pad | D[7] |
| | | | 0010-1111 | — | Reserved |
| ENET_0 | RX_D0 | IMCR[226] | 0000 (Default) | — | Disable |
| | | | 0001 | I/O-Pad | D[6] |
| | | | 0010-1111 | — | Reserved |
| ENET_0 | RX_D1 | IMCR[227] | 0000 (Default) | — | Disable |
| | | | 0001 | I/O-Pad | D[5] |
| | | | 0010-1111 | — | Reserved |
| ENET_0 | RX_D2 | IMCR[228] | 0000 (Default) | — | Disable |
| | | | 0001 | I/O-Pad | H[8] |
| | | | 0010-1111 | — | Reserved |
| ENET_0 | RX_D3 | IMCR[229] | 0000 (Default) | — | Disable |
| | | | 0001 | I/O-Pad | J[9] |
| | | | 0010-1111 | — | Reserved |
| ENET_0 | COL | IMCR[230] | 0000 (Default) | — | Disable |
| | | | 0001 | I/O-Pad | H[5] |
| | | | 0010-1111 | — | Reserved |
| ENET_0 | CRS | IMCR[231] | 0000 (Default) | — | Disable |
| | | | 0001 | I/O-Pad | H[4] |
| | | | 0010-1111 | — | Reserved |
| ENET_0 | RX_ER | IMCR[232] | 0000 (Default) | — | Disable |
| | | | 0001 | I/O-Pad | I[1] |
| | | | 0010-1111 | — | Reserved |
| ENET_0 | TX_CLK | IMCR[233] | 0000 (Default) | — | Disable |
| | | | 0001 | I/O-Pad | G[8] |
| | | | 0010-1111 | — | Reserved |

1. (Default) = configuration after reset
2. Selecting an alternate function with a 'Reserved' source function causes the pin to enter a null state (Input buffer and Output buffer enables both at 0).

Table 11. Peripheral muxing example

| SSS field value in IMCR[214] | Result |
|------------------------------|---|
| 0001 | I/O-Pad I[12] is connected to SENT_1 Receive input SENT_RX[1] |
| 0010 | I/O-Pad J[6] is connected to SENT_1 Receive input SENT_RX[1] |

See [Table 9](#) concerning the availability of port pins on the packages.

3 Electrical characteristics

3.1 Introduction

This section contains detailed information on power considerations, DC/AC electrical characteristics, and AC timing specifications for this device.

This device is designed to operate at 200 MHz.

3.2 165°C junction temperature option

For orderable parts whose device marking shows they support this extended temperature option:

- Operation at $150^{\circ}\text{C} < T_J < 165^{\circ}\text{C}$ is allowed for a maximum cumulative time of 200 hours over the device lifetime.
- Production parameters at 165°C reflect testing over an ambient temperature range of -40°C to 150°C with appropriate guardbanding to guarantee operation at 165°C .

3.3 Absolute maximum ratings

NOTE

Functional operating conditions appear in the DC electrical characteristics. Absolute maximum ratings are stress ratings only, and functional operation at the maximum values is not guaranteed.

CAUTION

Stress beyond the listed maximum values may affect device reliability or cause permanent damage to the device.

Table 12. Absolute maximum ratings

| Symbol | Parameter | Conditions | Min | Max | Unit |
|---------------------------------------|--|-----------------------------------|---------|--|------|
| V _{DD_LV} | 1.25 V core supply voltage ^{1, 2, 3} | — | -0.3 | 1.5 | V |
| V _{DD_LV_PLL} | 1.25 V PLL supply voltage ^{1, 2, 3} | — | -0.3 | 1.5 | V |
| V _{DD_LV_LFAST} | 1.25 V LFAST PLL supply voltage ^{1, 2, 3} | — | -0.3 | 1.5 | V |
| V _{DD_LV_NEXUS} | 1.25 V Aurora LVDS supply voltage ^{1, 2, 3} | — | -0.3 | 1.5 | V |
| V _{DD_HV_PMU} | 3.3 V voltage regulator supply voltage | — | -0.3 | 4.0 ^{4, 5} | V |
| V _{DD_HV_IO} | 3.3 V input/output supply voltage | — | -0.3 | 3.63 ^{4, 5} | V |
| V _{SS_HV_IO} | Input/output ground voltage | — | -0.1 | 0.1 | V |
| V _{DD_HV_FL A} | 3.3 V flash supply voltage | — | -0.3 | 3.63 ^{4, 5} | V |
| V _{SS_HV_FL A} | Flash memory ground | — | -0.1 | 0.1 | V |
| V _{DD_HV_OSC} | 3.3 V crystal oscillator amplifier supply voltage | — | -0.3 | 4.0 ^{4, 5} | V |
| V _{SS_HV_OSC} | 3.3 V crystal oscillator amplifier ground | — | -0.1 | 0.1 | V |
| V _{DD_HV_ADRE0} ⁶ | 3.3 V / 5.0 V ADC_0 high reference voltage | — | -0.3 | 6 | V |
| V _{DD_HV_ADRE1} | 3.3 V / 5.0 V ADC_1 high reference voltage | — | -0.3 | 6 | V |
| V _{SS_HV_ADRE0} | ADC_0 ground and low reference voltage | — | -0.1 | 0.1 | V |
| V _{SS_HV_ADRE1} | ADC_1 ground and low reference voltage | — | -0.1 | 0.1 | V |
| V _{DD_HV_ADV} | 3.3 V ADC supply voltage | — | -0.3 | 4.0 ^{4, 5} | V |
| V _{SS_HV_ADV} | 3.3 V ADC supply ground | — | -0.1 | 0.1 | V |
| TV _{DD} | Supply ramp rate | — | 0.9 V/s | 0.06 V/μs | |
| V _{INA} | Voltage on analog pin with respect to ground (V _{SS_HV_IO}) | — | -0.3 | 6 | V |
| V _{IN} | Voltage on any digital pin with respect to ground (V _{SS_HV_IO}) | Relative to V _{DD_HV_IO} | -0.3 | V _{DD_HV_IO} + 0.3 ⁷ | V |
| I _{INJ} | Maximum DC injection current per pin, 5 V ADC pads | Note ⁸ | -5 | 5 | mA |
| I _{INJPAD} | Injected input current on any pin during overload condition | — | -10 | 10 | mA |
| I _{INJSUM} | Absolute sum of all injected input currents during overload condition | — | -50 | 50 | mA |
| T _{STG} | Storage temperature | — | -55 | 165 | °C |

1. 1.45 V to 1.5 V allowed for 60 seconds cumulative time at maximum T_J=165°C; remaining time as defined in note -1 and note -1.
2. 1.375 V to 1.45 V allowed for 10 hours cumulative time at maximum T_J=165°C; remaining time as defined in note -1.
3. 1.32 V to 1.375 V range allowed periodically for supply with sinusoidal shape and average supply value below 1.275 V at maximum T_J=165°C.
4. 5.3 V for 10 hours cumulative over lifetime of device; 3.3 V +10% for time remaining.
5. Voltage overshoots during a high-to-low or low-to-high transition must not exceed 10 seconds per instance.
6. V_{DD_HV_ADRE0} and V_{DD_HV_ADRE1} cannot be operated at different voltages and must be supplied by the same voltage source.
7. Only when V_{DD_HV_IO} < 3.63 V.
8. The following conditions apply:
 - Absolute maximum supply: V_{DD_HV_ADREx} = 6.0 V (60 seconds lifetime, no restrictions—part can switch)

- Absolute maximum supply: $V_{DD_HV_ADREx} = 6.0\text{ V}$ (10 hours, device in reset—no switching)
- Absolute maximum supply: $V_{DD_HV_ADREx} = 5.5\text{ V}$ (always)
- Absolute maximum ADC input pin voltage = 7.0 V (60 seconds lifetime), when V_{DD_HV} is connected to the 5 V
- Absolute maximum ADC input pin voltage = 6.5 V (always while respecting 5 mA maximum injection), when V_{DD_HV} is connected to the 5 V

3.4 Recommended operating conditions

NOTE

Full functionality cannot be guaranteed when voltage drops below 3.0 V. In particular, ADC electrical characteristics and DC electrical specifications for I/Os might not be guaranteed.

Table 13. Recommended operating conditions ($V_{DD_HV_xx} = 3.3\text{ V}$)

| Symbol | Parameter | Conditions | Min | Max | Unit |
|--|--|--|--------------|------|------|
| $V_{DD_HV_PMU}^1$ | 3.3 V voltage regulator supply voltage | — | 3.15 | 3.6 | V |
| $V_{DD_HV_IO}^2$ | 3.3 V input/output supply voltage | — | 3.15 | 3.6 | V |
| $V_{SS_HV_IO}$ | Input/output ground voltage | — | 0 | 0 | V |
| $V_{DD_HV_FLA}^3$ | 3.3 V flash supply voltage | — | 3.15 | 3.6 | V |
| $V_{SS_HV_FLA}$ | Flash memory ground | — | 0 | 0 | V |
| $V_{DD_HV_OSC}^4$ | 3.3 V crystal oscillator amplifier supply voltage | — | 3.15 | 3.6 | V |
| $V_{SS_HV_OSC}$ | 3.3 V crystal oscillator amplifier ground | — | 0 | 0 | V |
| $V_{DD_HV_ADRE0}$ $V_{DD_HV_ADRE1}$ | 3.3 V / 5.0 V ADC_0 high reference voltage 3.3 V / 5.0 V ADC_1 high reference voltage | $T_J \leq 150^\circ\text{C}$ | 3.15 to 5.5 | | V |
| $V_{DD_HV_ADRE0}^5$ $V_{DD_HV_ADRE1}$ | 3.3 V / 5.0 V ADC_0 high reference voltage 3.3 V / 5.0 V ADC_1 high reference voltage | $150^\circ\text{C} < T_J < 165^\circ\text{C}$ (only for corresponding marked parts) | 3.15 to 5.25 | | V |
| $V_{SS_HV_ADRE0}^5$ $V_{SS_HV_ADRE1}$ | ADC_0 ground and low reference voltage ADC_1 ground and low reference voltage | — | 0 | 0 | V |
| $V_{DD_HV_ADV}^6$ | 3.3 V ADC supply voltage | — | 3.15 | 3.6 | V |
| $V_{SS_HV_ADV}$ | 3.3 V ADC supply ground | — | 0 | 0 | V |
| $V_{DD_LV_COR}^7$ | Core supply, 1.25 V +/-5% | — | 1.19 | 1.32 | V |
| $V_{DD_LV_CORx}$ | Internal supply voltage | — | — | — | V |
| $V_{SS_LV_CORx}$ | Internal reference voltage | — | 0 | 0 | V |
| $V_{DD_LV_PLL}$ | Internal PLL supply voltage | — | 1.19 | 1.32 | V |
| $V_{SS_LV_PLL}$ | Internal PLL reference voltage | — | 0 | 0 | V |
| $V_{DD_LV_NEXUS}$ | Aurora LVDS supply voltage | — | 1.19 | 1.32 | V |
| $V_{SS_LV_NEXUS}$ | Aurora LVDS supply ground | — | 0 | 0 | V |
| $V_{DD_LV_LFAST}$ | LFAST PLL supply voltage | — | 1.19 | 1.32 | V |
| $V_{SS_LV_LFAST}$ | LFAST PLL supply ground | — | 0 | 0 | V |
| I_{IC} | DC injection current per pin ^{8, 9, 10} | Digital pins | -3.0 | 3.0 | mA |
| | | Analog pins | -3.0 | 3.0 | |

Table continues on the next page...

Table 13. Recommended operating conditions ($V_{DD_HV_xx} = 3.3\text{ V}$) (continued)

| Symbol | Parameter | Conditions | Min | Max | Unit |
|--------|---------------------------------|------------------------------|------|-----------------------|------|
| | | Shared analog pins | -3.6 | 3.6 | |
| T_A | Ambient temperature under bias | $f_{CPU} \leq 200\text{MHz}$ | -40 | 135 ¹¹ | °C |
| T_J | Junction temperature under bias | — | -40 | 165 ^{12, 13} | °C |

- The chip functions down to the point where LVD_PMC resets the chip. When the voltage drops below LVD_PMC, the chip resets.
- The chip functions down to the point where LVD_IO resets the chip. When the voltage drops below LVD_IO, the chip resets.
- The chip functions down to the point where LVD_FLASH resets the chip. When the voltage drops below LVD_FLASH, the chip resets.
- The chip functions down to the point where LVD_OSC resets the chip. When the voltage drops below LVD_OSC, the chip resets.
- $V_{DD_HV_ADRE0}$ and $V_{DD_HV_ADRE1}$ cannot be operated at different voltages and need to be supplied by the same voltage source.
- The chip functions down to the point where LVD_ADC resets the chip. When the voltage drops below LVD_ADC, the chip resets.
- The chip functions down to the point where LVD_CORE or up to the point where HVD_CORE resets the chip by default.
- I/O and analog input specifications are valid only if the injection current on adjacent pins is within these limits. See the absolute maximum ratings table for maximum input current for reliability requirements.
- Full device lifetime without performance degradation.
- The I/O pins on the device are clamped to the I/O supply rails for ESD protection. When the voltage of the input pin is above the supply rail, current will be injected through the clamp diode to the supply rail. For external RC network calculation, assume typical 0.3 V drop across the active diode. The diode voltage drop varies with temperature.
- For a maximum T_J of 150°C, the corresponding maximum T_A is 125°C.
- Some orderable parts have a maximum T_J value of 150°C. See the device marking for the applicable temperature range.
- For devices supporting the 165°C junction temperature option: Operation at 150°C < T_J < 165°C is allowed for a maximum cumulative time of 200 hours over the device lifetime.

3.5 Thermal characteristics

Table 14. Thermal characteristics for 144LQFP and 257MAPBGA packages

| Symbol | Parameter | Conditions | 144LQFP | 257MAPBGA | Unit |
|------------------|--|--------------------------------------|---------|-----------|------|
| $R_{\theta JA}$ | Thermal resistance, junction-to-ambient natural convection ² | Single layer board - 1s | 39 | 45 | °C/W |
| | | Four layer board - 2s2p | 31 | 25 | |
| $R_{\theta JMA}$ | Thermal resistance, junction-to-ambient forced convection at 200 ft/min ¹ | Single layer board - 1s ³ | 31 | 36 | °C/W |
| | | Four layer board - 2s2p ⁴ | 25 | 21 | |
| $R_{\theta JB}$ | Thermal resistance junction-to-board ⁵ | — | 18 | 13 | °C/W |
| $R_{\theta JC}$ | Thermal resistance junction-to-case ⁶ | — | 8 | 8 | °C/W |
| Ψ_{JT} | Junction-to-package-top natural convection ⁷ | — | 2 | 2 | °C/W |

- Junction temperature is a function of die size, on-chip power dissipation, package thermal resistance, mounting site (board) temperature, ambient temperature, air flow, power dissipation of other components on the board, and board thermal resistance.
- Junction-to-Ambient thermal resistance determined per JEDEC JESD51-3 and JESD51-6. Thermal test board meets JEDEC specification for this package.
- Per JEDEC JESD51-2 with the single layer board horizontal. Board meets JESD51-9 specification.
- Per JEDEC JESD51-6 with the board horizontal.

5. Junction-to-Board thermal resistance determined per JEDEC JESD51-8. Thermal test board meets JEDEC specification for the specified package. Board temperature is measured on the top surface of the board near the package.
6. Junction-to-Case at the top of the package determined using MIL-STD 883 Method 1012.1. The cold plate temperature is used for the case temperature. Reported value includes the thermal resistance of the interface layer.
7. Thermal characterization parameter indicating the temperature difference between the package top and the junction temperature per JEDEC JESD51-2. When Greek letters are not available, the thermal characterization parameter is written as Psi-JT.

3.5.1 General notes for specifications at maximum junction temperature

An estimation of the chip junction temperature, T_J , can be obtained from this equation:

$$T_J = T_A + (R_{\theta JA} \times P_D)$$

where:

- T_A = ambient temperature for the package ($^{\circ}\text{C}$)
- $R_{\theta JA}$ = junction to ambient thermal resistance ($^{\circ}\text{C}/\text{W}$)
- P_D = power dissipation in the package (W)

The junction to ambient thermal resistance is an industry standard value that provides a quick and easy estimation of thermal performance. Unfortunately, there are two values in common usage: the value determined on a single layer board and the value obtained on a board with two planes. For packages such as the PBGA, these values can be different by a factor of two. Which value is closer to the application depends on the power dissipated by other components on the board. The value obtained on a single layer board is appropriate for the tightly packed printed circuit board. The value obtained on the board with the internal planes is usually appropriate if the board has low power dissipation and the components are well separated.

When a heat sink is used, the thermal resistance is expressed in the following equation as the sum of a junction-to-case thermal resistance and a case-to-ambient thermal resistance:

$$R_{\theta JA} = R_{\theta JC} + R_{\theta CA}$$

where:

- $R_{\theta JA}$ = junction to ambient thermal resistance ($^{\circ}\text{C}/\text{W}$)
- $R_{\theta JC}$ = junction to case thermal resistance ($^{\circ}\text{C}/\text{W}$)
- $R_{\theta CA}$ = case to ambient thermal resistance ($^{\circ}\text{C}/\text{W}$)

$R_{\theta JC}$ is device related and cannot be influenced by the user. The user controls the thermal environment to change the case to ambient thermal resistance, $R_{\theta CA}$. For instance, the user can change the size of the heat sink, the air flow around the device, the interface material, the mounting arrangement on printed circuit board, or change the thermal dissipation on the printed circuit board surrounding the device.

To determine the junction temperature of the device in the application when heat sinks are not used, the Thermal Characterization Parameter (Ψ_{JT}) can be used to determine the junction temperature with a measurement of the temperature at the top center of the package case using this equation:

$$T_J = T_T + (\Psi_{JT} \times P_D)$$

where:

- T_T = thermocouple temperature on top of the package ($^{\circ}\text{C}$)
- Ψ_{JT} = thermal characterization parameter ($^{\circ}\text{C}/\text{W}$)
- P_D = power dissipation in the package (W)

The thermal characterization parameter is measured per JESD51-2 specification using a 40 gauge type T thermocouple epoxied to the top center of the package case. The thermocouple should be positioned so that the thermocouple junction rests on the package. A small amount of epoxy is placed over the thermocouple junction and over about 1 mm of wire extending from the junction. The thermocouple wire is placed flat against the package case to avoid measurement errors caused by cooling effects of the thermocouple wire.

3.5.1.1 References

Semiconductor Equipment and Materials International; 3081 Zanker Road; San Jose, CA 95134 USA; (408) 943-6900

MIL-SPEC and EIA/JESD (JEDEC) specifications are available from Global Engineering Documents at 800-854-7179 or 303-397-7956.

JEDEC specifications are available on the Web at <http://www.jedec.org>.

1. C.E. Triplett and B. Joiner, "An Experimental Characterization of a 272 PBGA Within an Automotive Engine Controller Module," Proceedings of SemiTherm, San Diego, 1998, pp. 47–54.
2. G. Kromann, S. Shidore, and S. Addison, "Thermal Modeling of a PBGA for Air-Cooled Applications," Electronic Packaging and Production, pp. 53–58, March 1998.
3. B. Joiner and V. Adams, "Measurement and Simulation of Junction to Board Thermal Resistance and Its Application in Thermal Modeling," Proceedings of SemiTherm, San Diego, 1999, pp. 212–220.

3.6 Electromagnetic compatibility (EMC)

Tests were carried out in accordance with the International Electrotechnical Commission specifications:

- IEC 61967: Integrated Circuits, Measurement of Electromagnetic Emissions, 150 kHz to 1 GHz
- IEC 61967-2: Measurement of radiated emissions – TEM-cell and wideband TEM-cell method

| Parameter | Test # | Conditions ¹ | | Classification level ² | Unit |
|------------------|--------|----------------------------|---|-----------------------------------|------------|
| | | Comm. modules ³ | GPIO | | |
| V _{EME} | 1 | On | Off, input pull-up | L | dB μ V |
| | 2 | On | Off, input pull-up | L | dB μ V |
| | 3 | On | Off, input pull-up | L | dB μ V |
| | 4 | On | Off, input pull-up | — ⁴ | dB μ V |
| | 5 | On | Off, input pull-up | L | dB μ V |
| | 6 | On | PG1 ⁵ input, pull-up | L | dB μ V |
| | 7 | Off | PG1 ⁵ output high, half drive | L | dB μ V |
| | 8 | Off | PG1 ⁵ output high, full drive | L | dB μ V |
| | 9 | Off | PG1 ⁵ output low, half drive | L | dB μ V |
| | 10 | Off | PG1 ⁵ output low, full drive | L | dB μ V |
| | 11 | Off | All I/O tri-stated | I | dB μ V |
| | 12 | Off | PG2 ⁶ toggle @ 5 kHz, half drive, SR off | L | dB μ V |
| | 13 | Off | PG2 ⁶ toggle @ 5 kHz, half drive, SR on | L | dB μ V |
| | 14 | Off | PG2 ⁶ toggle @ 5 kHz, full drive, SR off | L | dB μ V |
| | 15 | Off | PG2 ⁶ toggle @ 5 kHz, full drive, SR on | I | dB μ V |

1. All tests ran with core and bus frequency at 200 MHz. Test #2 had "weak" FM modulation and Test #3 had "strong" FM modulation.
2. I = Class 1 (36 dB μ V), L = Class 2 (24 dB μ V), N = Class 3 (12 dB μ V)
3. LINFlex0/1 running at 19.2 kbd, SPI0 running at 2.5 MHz, SPI1 running at 7.5 MHz, SPI2 running at 4.5 MHz, CAN0/1 running at 500 kbd
4. Test #4 values were slightly above class I level.
5. PG1 = port group 1: pins F[3:15]
6. PG2 = port group 2: pins A[2:4], C[11:14], D14, F12, G6, J8

Each of the tests ran once across each of the following frequency bands.

| Frequency band | RBW (kHz) | VBW (kHz) | Sweep time (ms/MHz) | Pre-amplifier | Detector |
|--------------------|-----------|-----------|---------------------|---------------|--------------|
| 150 kHz to 30 MHz | 9 | 30 | 5 | ON (-20 dB) | Peak-Average |
| 30 MHz to 1000 MHz | 120 | 300 | | | |

3.7 Electrostatic discharge (ESD) characteristics

Electrostatic discharges (a positive then a negative pulse separated by 1 second) are applied to the pins of each sample according to each pin combination. The sample size depends on the number of supply pins in the device ($3 \text{ parts} \times (n + 1) \text{ supply pin}$). This test conforms to the AEC-Q100-002/-003/-011 standard.

NOTE

A device will be defined as a failure if after exposure to ESD pulses the device no longer meets the device specification requirements.

Table 15. ESD ratings

| No. | Symbol | Parameter | Conditions ¹ | Class | Max value | Unit |
|-----|----------------|--|---|-------|----------------------|------|
| 1 | $V_{ESD(HBM)}$ | Electrostatic discharge (Human Body Model) | $T_A = 25 \text{ }^\circ\text{C}$ conforming to AEC-Q100-002 | H1C | 2000 | V |
| 2 | $V_{ESD(CDM)}$ | Electrostatic discharge (Charged Device Model) | $T_A = 25 \text{ }^\circ\text{C}$ conforming to AEC-Q100-011 | C3A | 500 750 (corners) | V |

1. All ESD testing is in conformity with CDF-AEC-Q100 Stress Test Qualification for Automotive Grade Integrated Circuits.

3.8 Voltage regulator electrical characteristics

The voltage regulator is composed of the following blocks:

- High power regulator (external NPN to support core current)
- Low voltage detector (LVD_IO) for 3.3 V supply to IO ($V_{DD_HV_IO}$)
- Low voltage detector (LVD_PMC) for 3.3 V supply ($V_{DD_HV_PMU}$)
- Low voltage detector (LVD_FLASH) for 3.3 V flash memory supply ($V_{DD_HV_FLA}$)
- Low voltage detector (LVD_ADC) for 3.3 V ADC supply ($V_{DD_HV_ADV}$)
- Low voltage detector (LVD_OSC) for 3.3 V OSC supply ($V_{DD_HV_OSC}$)
- Low voltage detector (LVD_CORE) for 1.25 V digital core supply (V_{DD_LV})
- Low voltage detector (LVD_CORE_BK) for the self-test of LVD_CORE
- High voltage detector (HVD_CORE) for 1.25 V digital core supply (V_{DD_LV})

- High voltage detector (HVD_CORE_BK) for the self-test of HVD_CORE
- Power on Reset (POR)

NOTE

When the external regulator mode is used either the EXT_POR_B signal needs to be driven by external circuitry until all power supplies are in recommended ranges or the internal LVDs keep the device in POR until all power supply are in recommended range. There needs to be used the external over voltage detectors for all power supplies in both regulator modes for safety operation.

The following bipolar transistor is supported:

- ON Semiconductor™ NJD2873 (requires a heat sink to operate up to 165 °C): See [Table 16](#).

Table 16. Recommended operating characteristics: NJD2873

| Symbol | Parameter | Value | Unit |
|----------------|---|--------|------|
| h_{FE} | DC current gain (Beta) | 60-550 | — |
| P_D | Absolute minimum power dissipation | 1.60 | W |
| I_{CMaxDC} | Minimum peak collector current | 2.0 | A |
| $V_{CE_{SAT}}$ | Collector to emitter saturation voltage | 300 | mV |
| V_{BE} | Base to emitter voltage | 0.95 | V |
| V_C | Minimum voltage at transistor collector | 2.5 | V |

Table 17. Voltage regulator electrical specifications

| Symbol | Parameter | Conditions | Min | Typ | Max | Unit |
|----------|---|--|------|-----|------|----------|
| C_{Id} | External decoupling / stability capacitor | Min value granted with respect to tolerance, voltage, temperature, and aging variations. 4 capacitors are recommended – one for each side of the chip. | 4 | — | 18.8 | μ F |
| — | Combined ESR of external capacitor | — | 0.03 | — | 0.15 | Ω |
| t_{SU} | Start-up time after main supply stabilization | $C_{Id} = 4 \mu$ F | — | — | 2.5 | ms |
| L_{bw} | Bonding inductance | — | — | — | 13 | nH |
| R_{bw} | Bonding wire and pad resistance | — | — | — | 0.5 | Ω |
| R_{sd} | Series resistance of on-chip power grid | — | — | — | 0.1 | Ω |

Table continues on the next page...

Table 17. Voltage regulator electrical specifications (continued)

| Symbol | Parameter | Conditions | Min | Typ | Max | Unit |
|-----------------|--|--|--------------|------|---------------|------|
| C _{pd} | Parallel decoupling capacitor | Per pin; must use at least 6 capacitors, but total of all capacitors must be no more than 300 nF | 47 | — | 300 | nF |
| — | Power supply rejection (C _{id} = 4 μF) | @DC no load @200 kHz no load @DC 400 mA @200 kHz 400 mA | — | — | -23 | dB |
| — | Load current transient time | Iload from 20% to 80% C _{id} = 4 μF | 1.0 | — | — | μs |
| — | Supply ramp rate VDD_LV_COR | — | 0.01 V/ms | — | 0.125 V/μs | |
| — | Supply ramp rate VDD_HV_PMU | — | 0.9 V/s | — | 0.06 V/ μs | |
| — | POR_COR | — | 0.98 | 1.02 | 1.08 | V |
| — | POR_PMU | — | 2.4 | 2.59 | 2.76 | V |
| — | LVD_CORE, LVD_CORE_BK | calibrated (trimmed) | 1.12 | 1.15 | 1.18 | V |
| — | HVD_CORE, HVD_CORE_BK | calibrated (trimmed) | 1.32 | 1.36 | 1.40 | V |
| — | LVD_PMC | calibrated (trimmed) | 2.93 | 3.02 | 3.13 | V |
| — | LVD_IO | calibrated (trimmed) | 2.93 | 3.02 | 3.13 | V |
| — | LVD_FLASH | calibrated (trimmed) | 2.93 | 3.02 | 3.13 | V |
| — | LVD_ADC | calibrated (trimmed) | 2.93 | 3.02 | 3.13 | V |
| — | LVD_OSC | calibrated (trimmed) | 2.93 | 3.02 | 3.13 | V |
| — | Hysteresis LVD_CORE | — | — | 10 | — | mV |
| — | Hysteresis HVD_CORE | — | — | — | — | mV |
| — | Hysteresis LVD_PMC, LVD_IO, LVD_FLASH, LVD_ADC, LVD_OSC | — | — | 20 | — | mV |
| — | LVD/HVD trimming | 16 steps | — | 5 | — | mV |
| T _J | Junction Temperature | — | -40 | — | 165 | °C |



Figure 4. Core supply decoupling and parasitics

3.9 DC electrical characteristics

The following tables provide DC characteristics for bidirectional pads:

- [Table 18](#) provides output driver characteristics FlexRay I/Os (SYM).
- [Table 19](#) provides output driver characteristics for LFAST I/Os.

NOTE

See the FlexRay section for parameters dedicated to this interface.

Table 18. FlexRay (SYM) configuration output buffer electrical characteristics

| Symbol | Parameter | Conditions ¹ | Value | | | Unit |
|-------------------|--|---|-------|-----|-----|------|
| | | | Min | Typ | Max | |
| R _{OH_Y} | PMOS output impedance SYM configuration | Push Pull, I _{OH} = 2 mA, V _{OH} = V _{DD_HV_IO-} (0.28...0.52V) | 35 | 50 | 65 | Ω |
| R _{OL_Y} | PMOS output impedance SYM configuration | Push Pull, I _{OL} = 2 mA, V _{OL} = 0.28...0.52 V | 35 | 50 | 65 | Ω |

Table continues on the next page...

Electrical characteristics

Table 18. FlexRay (SYM) configuration output buffer electrical characteristics (continued)

| Symbol | Parameter | Conditions ¹ | Value | | | Unit |
|-----------------|---|---|-------|-----|-----|------|
| | | | Min | Typ | Max | |
| F_{\max_Y} | Output frequency SYM configuration | $C_L = 20 \text{ pF}$, $V_{DD_HV_IO}=3.3 \text{ V}$ -5%, +10% | — | — | 50 | MHz |
| T_{tr_Y} | Transition time output pin SYM configuration | $C_L = 20 \text{ pF}$, $V_{DD_HV_IO}=3.3 \text{ V}$ -5%, +10% | 1 | — | 6 | ns |
| $ T_{skew_Y} $ | Difference between rise and fall time | — | 0 | — | 1 | ns |

1. $V_{DD_HV_IO} = 3.3 \text{ V}$ (-5%, +10%), $T_J = -40$ to $165 \text{ }^\circ\text{C}$, unless otherwise specified.

NOTE

See the LFAST section for parameters dedicated to this interface.

Table 19. LFAST output buffer electrical characteristics

| Symbol | Parameter | Conditions ¹ | Value | | | Unit |
|---------------------|--|-------------------------|-------|-----|------|------|
| | | | Min | Typ | Max | |
| $ \Delta V_{O_L} $ | Absolute value for differential output voltage swing (terminated) | — | 100 | 200 | 285 | mV |
| V_{ICOM_L} | Common mode voltage | — | 1.08 | 1.2 | 1.32 | V |
| T_{tr_L} | Transition time output pin LVDS configuration | — | 0.2 | — | 1.5 | ns |

1. $V_{DD_HV_IO} = 3.3 \text{ V}$ (-5%, +10%), $T_J = -40$ to $165 \text{ }^\circ\text{C}$, unless otherwise specified.

NOTE

Fast IOs must be specified only as fast (and not as high current). See [Table 20](#).

Table 20. DC electrical specifications

| Symbol | Parameter | Conditions | Value | | | Unit |
|-------------------------------|--|------------|----------------------------|-----|----------------------------|---------------|
| | | | Min | Typ | Max | |
| V_{DD_LV} | LV (core) Supply Voltage | — | 1.19 | — | 1.32 | V |
| $V_{DD_HV_IO}$ ¹ | I/O Supply Voltage | — | 3.15 | — | 3.6 | V |
| V_{IH} | CMOS Input Buffer High Voltage (with hysteresis disabled) | — | 0.55 * $V_{DD_HV_IO}$ | — | $V_{DD_HV_IO}$ + 0.3 | V |
| V_{IL} | CMOS Input Buffer Low Voltage (with hysteresis disabled) | — | $V_{SS} - 0.3$ | — | 0.40 * $V_{DD_HV_IO}$ | V |
| V_{HYS} | CMOS Input Buffer Hysteresis | — | 0.1 * $V_{DD_HV_IO}$ | — | — | V |
| Pull_I _{OH} | Weak Pullup Current ² | — | 10 | — | 80 | μA |
| Pull_I _{OL} | Weak Pulldown Current ³ | — | 10 | — | 80 | μA |

Table continues on the next page...

Table 20. DC electrical specifications (continued)

| Symbol | Parameter | Conditions | Value | | | Unit |
|----------------|---|------------|---------------------------|-----|---------------------------|---------------|
| | | | Min | Typ | Max | |
| I_{INACT_D} | Digital Pad Input Leakage Current (weak pull inactive) ⁴ | — | -2.5 | — | 2.5 | μA |
| V_{OH} | Output High Voltage ⁵ | — | 0.8 * $V_{DD_HV_IO}$ | — | — | V |
| V_{OL} | Output Low Voltage ⁶ | — | — | — | 0.2 * $V_{DD_HV_IO}$ | V |
| I_{OH_F} | Full drive I_{OH} (SIUL2_MSCrN's SRC[1:0] field is 11b) | — | 10 | — | 180 | mA |
| I_{OL_F} | Full drive I_{OL} (SIUL2_MSCrN's SRC[1:0] field is 11b) | — | 21 | — | 230 | mA |
| I_{OH_H} | Half drive I_{OH} (SIUL2_MSCrN's SRC[1:0] field is 10b) | — | 9 | — | 90 | mA |
| I_{OL_H} | Half drive I_{OL} (SIUL2_MSCrN's SRC[1:0] field is 10b) | — | 10.5 | — | 115 | mA |

1. Max power supply ramp rate is 100 V / ms
2. Measured when pad = 0 V
3. Measured when pad = $V_{DD_HV_IO}$
4. The specified values apply to all pads except D[7] (SGEN output pad). For D[7], leakage current specifications are -15 μA Min and 15 μA Max.
5. Measured when pad is sourcing 2 mA
6. Measured when pad is sinking 2 mA

3.10 Supply current characteristics

Current consumption data is given in the following table.

Table 21. Current consumption characteristics

| Symbol | Parameter | Conditions ¹ | Min | Typ | Max | Unit |
|--|---|---|-----|-----|-----|------|
| I_{DD_LV} + $I_{DD_LV_PLL}$ ² | Operating current | $T_A = 25\text{ }^\circ\text{C}$ $V_{DD_LV_COR} = 1.32\text{ V}$ | — | 350 | 400 | mA |
| | | $T_J = 150\text{ }^\circ\text{C}$ $V_{DD_LV_COR} = 1.32\text{ V}$ | — | 440 | 570 | |
| | | $T_J = 165\text{ }^\circ\text{C}$ $V_{DD_LV_COR} = 1.32\text{ V}$ | — | 470 | 610 | |
| $I_{DD_LV_BIST}$ + $I_{DD_LV_PLL}$ | Operating current | Normal startup self-test $T_A = 25\text{ }^\circ\text{C}$ $V_{DD_LV_COR} = 1.32\text{ V}$ | — | 340 | — | mA |
| | | $T_J = 150\text{ }^\circ\text{C}$ $V_{DD_LV_COR} = 1.32\text{ V}$ | — | 410 | — | |
| | | $T_J = 165\text{ }^\circ\text{C}$ $V_{DD_LV_COR} = 1.32\text{ V}$ | — | 430 | — | |
| $I_{DD_LV_STOP}$ | Operating current in V_{DD} STOP mode | $T_A = 25\text{ }^\circ\text{C}$ $V_{DD_LV_COR} = 1.32\text{ V}$ | — | 25 | 35 | mA |

Table continues on the next page...

Table 21. Current consumption characteristics (continued)

| Symbol | Parameter | Conditions ¹ | Min | Typ | Max | Unit |
|---------------------------------|---|---|-----|------|------|------|
| | | $T_J = 150\text{ °C}$ $V_{DD_LV_COR} = 1.32\text{ V}$ | — | 90 | 230 | |
| | | $T_J = 165\text{ °C}$ $V_{DD_LV_COR} = 1.32\text{ V}$ | — | 120 | 310 | |
| $I_{DD_LV_HALT}$ | Operating current in V_{DD} HALT mode | $T_A = 25\text{ °C}$ $V_{DD_LV_COR} = 1.32\text{ V}$ | — | 25 | 40 | mA |
| | | $T_J = 150\text{ °C}$ $V_{DD_LV_COR} = 1.32\text{ V}$ | — | 110 | 300 | |
| | | $T_J = 165\text{ °C}$ $V_{DD_LV_COR} = 1.32\text{ V}$ | — | 140 | 400 | |
| $I_{DD_LV_LFAST}$ | Operating current | $T_J = 150\text{ °C}$ $V_{DD_LV_COR} = 1.32\text{ V}$ | — | — | 6.6 | mA |
| | | $T_J = 165\text{ °C}$ $V_{DD_LV_COR} = 1.32\text{ V}$ | — | — | 6.8 | |
| $I_{DD_LV_NEXUS}$ | Operating current | $T_J = 150\text{ °C}$ $V_{DD_LV_COR} = 1.32\text{ V}$ | — | — | 12.1 | mA |
| | | $T_J = 165\text{ °C}$ $V_{DD_LV_COR} = 1.32\text{ V}$ | — | — | 12.5 | |
| $I_{DD_HV_ADV}$ ³ | Operating current | $T_J = 150\text{ °C}$ 4 ADCs operating at 80 MHz $V_{DD_HV_ADV} = 3.6\text{ V}$ | — | 3.4 | 4.2 | mA |
| | | $T_J = 165\text{ °C}$ 4 ADCs operating at 80 MHz $V_{DD_HV_ADV} = 3.6\text{ V}$ | — | 3.5 | 4.5 | |
| $I_{DD_HV_ADRE}$ ⁴ | Operating current | $T_J = 150\text{ °C}$ ADC operating at 80 MHz $V_{DD_HV_ADRE} = 3.6\text{ V}$ | — | 0.20 | 0.28 | mA |
| | | $T_J = 150\text{ °C}$ ADC operating at 80 MHz $V_{DD_HV_ADRE} = 5.5\text{ V}$ | — | 0.32 | 0.50 | |
| | | $T_J = 165\text{ °C}$ ADC operating at 80 MHz $V_{DD_HV_ADRE} = 3.6\text{ V}$ | — | 0.24 | 0.40 | |
| | | $T_J = 165\text{ °C}$ ADC operating at 80 MHz $V_{DD_HV_ADRE} = 5.5\text{ V}$ | — | 0.40 | 0.70 | |
| $I_{DD_HV_OSC}$ | Operating current | $T_J = 150\text{ °C}$ 3.3 V supplies | — | — | 1.6 | mA |

Table continues on the next page...

Table 21. Current consumption characteristics (continued)

| Symbol | Parameter | Conditions ¹ | Min | Typ | Max | Unit |
|-------------------------|-------------------|--|-----|-----|-----|------|
| | | Frequency: 200MHz | | | | |
| | | T _J = 165 °C 3.3 V supplies Frequency: 200MHz | — | — | 1.8 | |
| I _{DD_HV_FL A} | Operating current | T _J = 150 °C 3.3 V supplies Frequency: 200MHz | — | — | 5.5 | mA |
| | | T _J = 165 °C 3.3 V supplies Frequency: 200MHz | — | — | 7.0 | |

1. The content of the Conditions column identifies the components that draw the specific current.
2. Enabled modules: ADC0/1, FlexPWM0, eTimer0, two SPIs, two FlexCANs, FlexRay, one LINFlexD, DMA. At maximum frequency. I/O supply current excluded.
3. Internal structures hold the input voltage less than V_{DD_HV_ADV} + 1.0 V on all pads powered by V_{DDA} supplies, if the maximum injection current specification is met (3 mA for all pins) and V_{DDA} is within the operating voltage specifications.
4. This value is the total current for two ADCs.

3.11 Temperature sensor

The following table describes the temperature sensor electrical characteristics.

Table 22. Temperature sensor electrical characteristics

| Symbol | Parameter | Conditions | Min | Typ | Max | Unit |
|-------------------|--|--------------------------------|-----|------|-----|-------|
| — | Temperature monitoring range | — | −40 | — | 165 | °C |
| T _{SENS} | Sensitivity | — | — | 5.18 | — | mV/°C |
| T _{ACC} | Accuracy for linear temperature sensor | T _J = −40 to 150 °C | −3 | — | +3 | °C |
| | | T _J = 150 to 165 °C | −5 | — | +5 | |
| — | Accuracy for temperature-threshold digital flags | T _J = −40 to 150 °C | −5 | — | +5 | °C |
| — | Temperature variation for each customer-adjustable trim step | T _J = −40 to 150 °C | 0.4 | 0.7 | 1.0 | °C |
| — | Operating current | T _J = −40 to 165 °C | — | — | 675 | μA |

3.12 Main oscillator electrical characteristics

This device provides a driver for the oscillator in pierce configuration with amplitude control. Controlling the amplitude allows a more sinusoidal oscillation, reducing EMI and power consumption. This Loop Controlled Pierce (LCP mode) requires good practices to reduce the stray capacitance of traces between the crystal and the MCU.

An operation in Full Swing Pierce (FSP mode), implemented by an inverter, is also available in cases of parasitic capacitances that cannot be reduced or of using a crystal with high equivalent series resistance. This mode requires special care regarding the serial resistance used to avoid the crystal overdrive.

Two other provided modes are External (EXT Wave) and disable (OFF mode). For EXT Wave, the drive is disabled and an external clock source within the CMOS level based in the analog oscillator supply can be used. When OFF, the EXTAL is pulled down by a 240-kohm resistor and the feedback resistor remains active, connecting XTAL through EXTAL by a 1M resistor.

The following figure describes a simple model of the internal oscillator driver and provides an example of connections for an oscillator.

NOTE

When selecting C1 and C2 in your oscillator circuit, contact the crystal manufacturer for their recommended values. Capacitor loading of the oscillator must be fully characterized at the system level to ensure proper operation.



Figure 5. Oscillator connection scheme

NOTE

XTAL/EXTAL must not be directly used to drive external circuits.

Table 23. Main oscillator electrical characteristics

| Symbol | Parameter | Mode | Conditions ¹ | Min | Typ | Max | Unit |
|----------------|-------------------------|----------------------|---------------------------|----------------|-----|-----|------|
| f_{XOSCHS} | Oscillator frequency | FSP/LCP | — | 4 ² | — | 40 | MHz |
| $g_{mXOSCHS}$ | Driver transconductance | LCP | $V_{DD_HV_OSC} = 3.3V$ | — | 20 | — | mA/V |
| | | FSP | -5%, +10% | — | 30 | — | |
| V_{XOSCHS} | Oscillation amplitude | LCP | $f_{OSC} = 4, 8, 16$ MHz | 1.1 | 1.3 | 2.6 | V |
| | | | $f_{OSC} = 40$ MHz | 1.2 | 1.5 | 1.7 | V |
| $T_{XOSCHSSU}$ | Oscillator startup time | FSP/LCP ³ | $f_{OSC} = 4$ MHz | 1.75 | 2.5 | 2.9 | ms |
| | | | $f_{OSC} = 8, 16, 40$ MHz | 0.25 | 0.5 | 1.1 | ms |

Table continues on the next page...

Table 23. Main oscillator electrical characteristics (continued)

| Symbol | Parameter | Mode | Conditions ¹ | Min | Typ | Max | Unit |
|------------------|---|----------|-------------------------|-----|------|-----|------|
| V _{IH} | Input high level CMOS Schmitt Trigger | EXT Wave | Oscillator bypass mode | — | 1.48 | — | V |
| V _{IL} | Input low level CMOS Schmitt Trigger | EXT Wave | Oscillator bypass mode | — | 1.85 | — | V |
| V _{HYS} | Input low level CMOS Schmitt hysteresis | EXT Wave | Oscillator bypass mode | — | 0.37 | — | V |

1. V_{DD_HV_OSC} = 3.3 V -5%, +10%, T_J = 27 °C, unless otherwise specified
2. When using XOSC as the source for PLL0IN, the minimum frequency requirement of the PLL must be fulfilled as stated in the PLL0 electrical characteristics.
3. Values are very dependent on crystal or resonator used and parasitic capacitance observed in the board.

3.13 PLLDIG electrical characteristics



Figure 6. PLL integration

Table 24. PLL0 electrical characteristics

| Symbol | Parameter | Conditions ¹ | Min | Typ | Max | Unit |
|--------------------------|---|--|------|-----|------|------|
| f _{PLL0IN} | PLL0 input clock | — | 8 | — | 40 | MHz |
| Δ _{PLL0IN} | PLL0 input clock duty cycle ² | — | 40 | — | 60 | % |
| f _{PLL0VCO} | PLL0 VCO frequency | — | 600 | — | 1250 | MHz |
| f _{PLL0PHI0} | PLL0 output clock PHI0 | — | 4.76 | — | 200 | MHz |
| f _{PLL0PHI1} | PLL0 output clock PHI1 | — | 20 | — | 156 | MHz |
| t _{PLL0LOCK} | PLL0 lock time | — | — | — | 100 | μs |
| Δ _{PLL0PHISPJ} | PLL0_PHI single period jitter f _{PLL0IN} = 20 MHz (resonator) | f _{PLL0PHI} = 400 MHz, 6-sigma | — | — | 200 | ps |
| Δ _{PLL0PHI1SPJ} | PLL0_PHI1 single period jitter f _{PLL0IN} = 20 MHz (resonator) | f _{PLL0PHI1} = 40 MHz, 6-sigma | — | — | 300 | ps |
| Δ _{PLL0LTJ} | PLL0 output long term jitter ³ f _{PLL0IN} = 20 MHz (resonator), VCO frequency = 800 MHz | 10 periods accumulated jitter (80 MHz equivalent frequency), 6-sigma pk-pk | — | — | ±250 | ps |

Table continues on the next page...

Table 24. PLL0 electrical characteristics (continued)

| Symbol | Parameter | Conditions ¹ | Min | Typ | Max | Unit |
|-------------------|------------------|--|-----|-----|------|------|
| | | 16 periods accumulated jitter (50 MHz equivalent frequency), 6-sigma pk-pk | — | — | ±300 | ps |
| | | long term jitter (< 1 MHz equivalent frequency), 6-sigma pk-pk) | — | — | ±500 | ps |
| I _{PLL0} | PLL0 consumption | FINE LOCK state | — | — | 5 | mA |

- V_{DD_LV} = 1.25 V ± 5%, T_J = -40 to 165 °C unless otherwise specified.
- PLL0IN clock retrieved directly from either IRCOSC or external XOSC clock. Input characteristics are granted when using IRCOSC or when external oscillator is used in functional mode.
- V_{DD_LV} noise due to application in the range V_{DD_LV} = 1.25 V ± 5%, with frequency below PLL bandwidth (40 kHz) will be filtered.

Table 25. FMPLL1 electrical characteristics

| Symbol | Parameter | Conditions ¹ | Min | Typ | Max | Unit |
|-----------------------|--|-------------------------|------|-----|------|------|
| f _{PLL1IN} | PLL1 input clock | — | 38 | — | 78 | MHz |
| Δ _{PLL1IN} | PLL0 input clock duty cycle ² | — | 35 | — | 65 | % |
| f _{PLL1VCO} | PLL1 VCO frequency | — | 600 | — | 1250 | MHz |
| f _{PLL1PHI0} | PLL1 output clock PHI0 | — | 4.76 | — | 200 | MHz |
| t _{PLL1LOCK} | PLL1 lock time | — | — | — | 100 | μs |
| f _{PLL1MOD} | PLL1 modulation frequency | — | — | — | 250 | kHz |
| δ _{PLL1MOD} | PLL1 modulation depth (when enabled) | Center spread | 0.25 | — | 2 | % |
| | | Down spread | 0.5 | — | 4 | % |
| I _{PLL1} | PLL1 consumption | FINE LOCK state | — | — | 6 | mA |

- V_{DD_LV} = 1.25 V ± 5%, T_J = -40 to 165 °C unless otherwise specified.
- PLL1IN clock retrieved directly from either internal PLL0 or external XOSC clock. Input characteristics are granted when using internal PLL0 or when external oscillator is used in functional mode.

3.14 16 MHz Internal RC Oscillator (IRCOSC) electrical specifications

NOTE

Unless stated otherwise, specifications in [Table 26](#) assume the following: V_{DD_HV_PMU} = 3.15V to 3.6V, V_{SS} = 0V, V_{DD_LV} = 1.18V to 1.32V, V_{SS} = 0V, T_J = -40 to 165°C.

Table 26. Internal RC Oscillator electrical specifications

| Symbol | Parameter | Conditions | Min | Typ | Max | Unit |
|------------------------|------------------------------|------------|-----|-----|-----|------|
| f _{Target} | IRCOSC target frequency | — | — | 16 | — | MHz |
| f _{Untrimmed} | IRCOSC frequency (untrimmed) | — | 11 | — | 17 | MHz |

Table continues on the next page...

Table 26. Internal RC Oscillator electrical specifications (continued)

| Symbol | Parameter | Conditions | Min | Typ | Max | Unit |
|-------------------------|--|-----------------------------------|-----|-----|-----|---------------|
| δf_{var} | IRC frequency variation with temperature and voltage compensation | $T_J < 150\text{ }^\circ\text{C}$ | -3 | — | 3 | % |
| | | $T_J < 165\text{ }^\circ\text{C}$ | -4 | — | 4 | |
| $\delta f_{var_noT}^1$ | IRC frequency variation without temperature compensation (only voltage compensation) | $T_J < 150\text{ }^\circ\text{C}$ | -8 | — | 8 | % |
| | | $T_J < 165\text{ }^\circ\text{C}$ | -10 | — | 10 | |
| $T_{startup}$ | Startup time without temperature compensation | — | — | — | 5 | μs |
| I_{VDD3} | Current consumption on 3.3 V power supply | After $T_{startup}$ | — | — | 55 | μA |
| I_{VDD12} | Current consumption on 1.2 V power supply | After $T_{startup}$ | — | — | 270 | μA |

1. The typical user trim step size (df_{TRIM}) is +48kHz for frequencies trimmed above nominal and -40kHz for frequencies trimmed below nominal based on characterization results.

3.15 ADC electrical characteristics

The device provides a 12-bit Successive Approximation Register (SAR) Analog-to-Digital Converter.



Figure 7. ADC characteristics and error definitions

3.15.1 Input equivalent circuit and ADC conversion characteristics

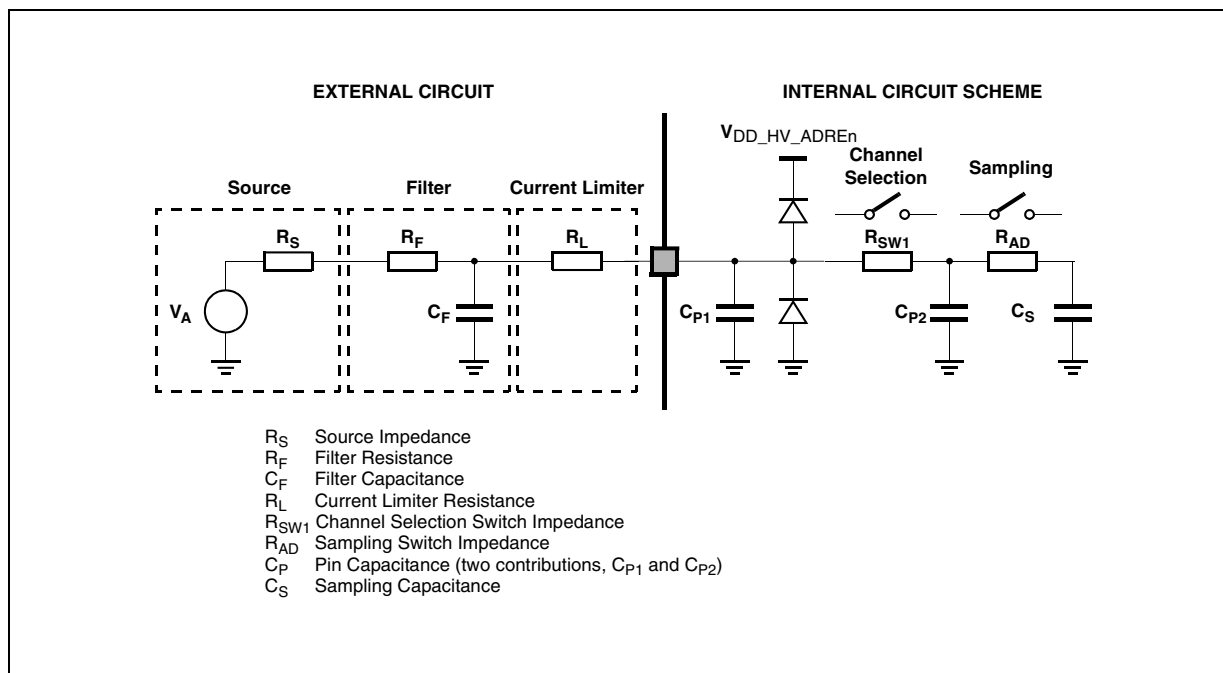


Figure 8. Input equivalent circuit

NOTE

Unless noted otherwise, the specifications in [Table 27](#) assume the use of 12-bit resolution (high accuracy, recommended): In ADC_CALBISTREG, set OPMODE to 110b.

Table 27. ADC conversion characteristics

| Symbol | Parameter | Conditions ¹ | Min | Typ | Max | Unit |
|-----------------------|--|--|-----|-----|----------------|------|
| f_{CK} | ADC Clock frequency (depends on ADC configuration) (The duty cycle depends on AD_CK ² frequency.) | — | 20 | — | 80 | MHz |
| f_s | Sampling frequency | — | — | — | 1.00 | MHz |
| t_{sample} | Sample time ³ | 80 MHz, 12-bit resolution | 250 | — | — | ns |
| | | 80 MHz, 12-bit resolution (high accuracy, recommended) | 250 | — | — | |
| t_{conv} | Conversion time ⁴ | 80 MHz, 12-bit resolution | 650 | — | — | ns |
| | | 80 MHz, 12-bit resolution (high accuracy, recommended) | 700 | — | — | |
| C_S | ADC input sampling capacitance | — | — | 3 | 5 | pF |
| C_{P1} ⁵ | ADC input pin capacitance 1 | — | — | — | 5 ⁶ | pF |

Table continues on the next page...

Table 27. ADC conversion characteristics (continued)

| Symbol | Parameter | Conditions ¹ | Min | Typ | Max | Unit |
|----------------------------|--|---|------------------------|-----|-----|------------|
| C_{P2} ⁵ | ADC input pin capacitance 2 | — | — | — | 0.8 | pF |
| R_{SW1} ⁵ | Internal resistance of analog source | V_{REF} range = 4.5 to 5.5 V | — | — | 0.3 | k Ω |
| | | V_{REF} range = 3.15 to 3.6 V | — | — | 875 | Ω |
| R_{AD} ⁵ | Internal resistance of analog source | — | — | — | 825 | Ω |
| INL | Integral non-linearity | — | -2 | — | 2 | LSB |
| DNL | Differential non-linearity | — | -1 | — | 1 | LSB |
| OFS | Offset error | — | -4 | — | 4 | LSB |
| GNE | Gain error | — | -4 | — | 4 | LSB |
| Input (single ADC channel) | Max leakage | 150 °C | — | — | 250 | nA |
| | Max positive/negative injection | — | -3 | — | 3 | mA |
| Input (double ADC channel) | Max leakage | 150 °C | — | — | 300 | nA |
| | Max positive/negative injection | $ V_{REF_AD0} - V_{REF_AD1} < 150\text{mV}$ | -3.6 | — | 3.6 | mA |
| SNR | Signal-to-noise ratio | $V_{REF} = 3.3\text{ V}$, $F_{in} < 125\text{kHz}$ | 67 | — | — | dB |
| SNR ⁷ | Signal-to-noise ratio | $V_{REF} = 5.0\text{ V}$, $F_{in} < 125\text{kHz}$ | 69 | — | — | dB |
| THD | Total harmonic distortion | $F_{in} \leq 125\text{ kHz}$ | 65 | 70 | — | dB |
| ENOB | Effective number of bits | $F_{in} < 125\text{ kHz}$ | 10.5 | — | — | bits |
| SINAD | Signal-to-noise and distortion | See ENOB | $(6.02 * ENOB) + 1.76$ | | | dB |
| $TUE_{IS1WINJ}$ | Total unadjusted error for IS1WINJ (single ADC channels) | Without current injection | -6 | — | 6 | LSB |
| $TUE_{IS1WINJ}$ | Total unadjusted error for IS1WINJ (single ADC channels) | Current injection: $\pm 3\text{ mA}$ for each channel, max 3 channels | -8 | — | 8 | LSB |

- $V_{DD_HV_IO} = 3.3\text{ V}$ -5%,+10%, $T_J = -40$ to $+165\text{ °C}$, unless otherwise specified, and analog input voltage from V_{AGND} to V_{AREF}
- AD_CK clock is always half of the ADC module input clock defined via the auxiliary clock divider for the ADC.
- During the sample time the input capacitance C_S can be charged/discharged by the external source. The internal resistance of the analog source must allow the capacitance to reach its final voltage level within t_{sample} . After the end of the sample time t_{sample} , changes of the analog input voltage have no effect on the conversion result. Values for the sample clock t_{sample} depend on programming.
- This parameter does not include the sample time t_{sample} , but only the time for determining the digital result and the time to load the result register with the conversion result.
- See [Figure 2](#).
- For the 144-pin package.
- Test conditions have an influence on the achieved performance. Please contact FSL personnel to share the conditions for these results.

NOTE

The ADC performance specifications are not guaranteed if two ADCs simultaneously sample the same shared channel.

3.16 Flash memory specifications

3.16.1 Maximum junction temperature 150°C

3.16.1.1 Flash memory program and erase specifications

NOTE

All timing, voltage, and current numbers specified in this section are defined for a single embedded flash memory within an SoC, and represent average currents for given supplies and operations.

Table 28 shows the estimated Program/Erase times.

Table 28. Flash memory program and erase specifications

| Symbol | Characteristic ¹ | Typ ² | Factory Programming ^{3,4} | | Field Update | | | Unit |
|----------------------|------------------------------------|------------------|------------------------------------|--------------------------------|----------------------------------|---------------------------|------------------|------|
| | | | Initial Max | Initial Max, Full Temp | Typical End of Life ⁵ | Lifetime Max ⁶ | | |
| | | | 20°C ≤ T _A ≤ 30°C | -40°C ≤ T _J ≤ 150°C | -40°C ≤ T _J ≤ 150°C | ≤ 1,000 cycles | ≤ 250,000 cycles | |
| t _{dwpgm} | Doubleword (64 bits) program time | 43 | 100 | 150 | 55 | 500 | | μs |
| t _{ppgm} | Page (256 bits) program time | 73 | 200 | 300 | 108 | 500 | | μs |
| t _{qppgm} | Quad-page (1024 bits) program time | 268 | 800 | 1,200 | 396 | 2,000 | | μs |
| t _{16kers} | 16 KB Block erase time | 168 | 290 | 320 | 250 | 1,000 | | ms |
| t _{16kpgm} | 16 KB Block program time | 34 | 45 | 50 | 40 | 1,000 | | ms |
| t _{32kers} | 32 KB Block erase time | 217 | 360 | 390 | 310 | 1,200 | | ms |
| t _{32kpgm} | 32 KB Block program time | 69 | 100 | 110 | 90 | 1,200 | | ms |
| t _{64kers} | 64 KB Block erase time | 315 | 490 | 590 | 420 | 1,600 | | ms |
| t _{64kpgm} | 64 KB Block program time | 138 | 180 | 210 | 170 | 1,600 | | ms |
| t _{256kers} | 256 KB Block erase time | 884 | 1,520 | 2,030 | 1,080 | 4,000 | — | ms |
| t _{256kpgm} | 256 KB Block program time | 552 | 720 | 880 | 650 | 4,000 | — | ms |

1. Program times are actual hardware programming times and do not include software overhead. Block program times assume quad-page programming.
2. Typical program and erase times represent the median performance and assume nominal supply values and operation at 25 °C. Typical program and erase times may be used for throughput calculations.
3. Conditions: ≤ 150 cycles, nominal voltage.
4. Plant Programming times provide guidance for timeout limits used in the factory.
5. Typical End of Life program and erase times represent the median performance and assume nominal supply values. Typical End of Life program and erase values may be used for throughput calculations.
6. Conditions: -40°C ≤ T_J ≤ 150°C, full spec voltage.

3.16.1.2 Flash memory Array Integrity and Margin Read specifications

Table 29. Flash memory Array Integrity and Margin Read specifications

| Symbol | Characteristic | Min | Typical | Max ¹ | Units ² |
|-----------------|---|--------|---------|--|--------------------|
| $t_{ai16kseq}$ | Array Integrity time for sequential sequence on 16 KB block. | — | — | 512 x $T_{period} \times N_{read}$ | — |
| $t_{ai32kseq}$ | Array Integrity time for sequential sequence on 32 KB block. | — | — | 1024 x $T_{period} \times N_{read}$ | — |
| $t_{ai64kseq}$ | Array Integrity time for sequential sequence on 64 KB block. | — | — | 2048 x $T_{period} \times N_{read}$ | — |
| $t_{ai256kseq}$ | Array Integrity time for sequential sequence on 256 KB block. | — | — | 8192 x $T_{period} \times N_{read}$ | — |
| $t_{mr16kseq}$ | Margin Read time for sequential sequence on 16 KB block. | 73.81 | — | 110.7 | μs |
| $t_{mr32kseq}$ | Margin Read time for sequential sequence on 32 KB block. | 128.43 | — | 192.6 | μs |
| $t_{mr64kseq}$ | Margin Read time for sequential sequence on 64 KB block. | 237.65 | — | 356.5 | μs |
| $t_{mr256kseq}$ | Margin Read time for sequential sequence on 256 KB block. | 893.01 | — | 1,339.5 | μs |

1. Array Integrity times need to be calculated and is dependent on system frequency and number of clocks per read. The equation presented require T_{period} (which is the unit accurate period, thus for 200 MHz, T_{period} would equal $5e-9$) and N_{read} (which is the number of clocks required for read, including pipeline contribution. Thus for a read setup that requires 6 clocks to read with no pipeline, N_{read} would equal 6. For a read setup that requires 6 clocks to read, and has the address pipeline set to 2, N_{read} would equal 4 (or $6 - 2$.)
2. The units for Array Integrity are determined by the period of the system clock. If unit accurate period is used in the equation, the results of the equation are also unit accurate.

3.16.1.3 Flash memory module life specifications

Table 30. Flash memory module life specifications

| Symbol | Characteristic | Conditions | Min | Typical | Units |
|------------------|--|-----------------------------------|---------|---------|------------|
| Array P/E cycles | Number of program/erase cycles per block for 16 KB, 32 KB and 64 KB blocks. ¹ | — | 250,000 | — | P/E cycles |
| | Number of program/erase cycles per block for 256 KB blocks. ² | — | 1,000 | 250,000 | P/E cycles |
| Data retention | Minimum data retention. | Blocks with 0 - 1,000 P/E cycles. | 50 | — | Years |
| | | Blocks with 100,000 P/E cycles. | 20 | — | Years |
| | | Blocks with 250,000 P/E cycles. | 10 | — | Years |

1. Program and erase supported across standard temperature specs.
2. Program and erase supported across standard temperature specs.

3.16.1.4 Data retention vs program/erase cycles

Graphically, Data Retention versus Program/Erase Cycles can be represented by the following figure. The spec window represents qualified limits. The extrapolated dotted line demonstrates technology capability, however is beyond the qualification limits.



3.16.1.5 Flash memory AC timing specifications

Table 31. Flash memory AC timing specifications

| Symbol | Characteristic | Min | Typical | Max | Units |
|------------|--|-----|--|---|---------|
| t_{psus} | Time from setting the MCR-PSUS bit until MCR-DONE bit is set to a 1. | — | 9.4 plus four system clock periods | 11.5 plus four system clock periods | μ s |
| t_{esus} | Time from setting the MCR-ESUS bit until MCR-DONE bit is set to a 1. | — | 16 plus four system clock periods | 20.8 plus four system clock periods | μ s |
| t_{res} | Time from clearing the MCR-ESUS or PSUS bit with EHV = 1 until DONE goes low. | — | — | 100 | ns |
| t_{done} | Time from 0 to 1 transition on the MCR-EHV bit initiating a program/erase until the MCR-DONE bit is cleared. | — | — | 5 | ns |

Table continues on the next page...

Table 31. Flash memory AC timing specifications (continued)

| Symbol | Characteristic | Min | Typical | Max | Units |
|---------------|--|--|---|--|---------|
| t_{done} | Time from 1 to 0 transition on the MCR-EHV bit aborting a program/erase until the MCR-DONE bit is set to a 1. | — | 16 plus four system clock periods | 20.8 plus four system clock periods | μ s |
| t_{drvc} | Time to recover once exiting low power mode. | 16 plus seven system clock periods. | — | 45 plus seven system clock periods | μ s |
| $t_{aistart}$ | Time from 0 to 1 transition of UT0-AIE initiating a Margin Read or Array Integrity until the UT0-AID bit is cleared. This time also applies to the resuming from a suspend or breakpoint by clearing AISUS or clearing NAIBP | — | — | 5 | ns |
| t_{aistop} | Time from 1 to 0 transition of UT0-AIE initiating an Array Integrity abort until the UT0-AID bit is set. This time also applies to the UT0-AISUS to UT0-AID setting in the event of a Array Integrity suspend request. | — | — | 80 plus fifteen system clock periods | ns |
| t_{mrstop} | Time from 1 to 0 transition of UT0-AIE initiating a Margin Read abort until the UT0-AID bit is set. This time also applies to the UT0-AISUS to UT0-AID setting in the event of a Margin Read suspend request. | 10.36 plus four system clock periods | — | 20.42 plus four system clock periods | μ s |

3.16.2 Maximum junction temperature 165°C

3.16.2.1 Flash memory program and erase specifications

NOTE

All timing, voltage, and current numbers specified in this section are defined for a single embedded flash memory within an SoC, and represent average currents for given supplies and operations.

Table 32 shows the estimated Program/Erase times.

Table 32. Flash memory program and erase specifications

| Symbol | Characteristic ¹ | Typ ² | Factory Programming ^{3, 4} | | Field Update | | Units | |
|---------------------------------|---------------------------------------|------------------|---|---|----------------------------------|---------------------------|-------|------------------|
| | | | Initial Max | Initial Max Full Temp | Typical End of Life ⁵ | Lifetime Max ⁶ | | |
| | | | 20°C ≤ T _A ≤ 30°C ⁴ | -40°C ≤ T _J ≤ 150°C ⁴ | -40°C ≤ T _J ≤ 165°C | ≤ 1,000 cycles | | ≤ 250,000 cycles |
| t _{dwp_{pgm}} | Doubleword (64 bits) program time | 43 | 100 | 150 | 65 | 650 | μs | |
| t _{pp_{pgm}} | Page (256 bits) program time | 73 | 200 | 300 | 145 | 650 | μs | |
| t _{qp_{pgm}} | Quad-page (1024 bits) program time | 268 | 800 | 1,200 | 540 | 2,700 | μs | |
| t _{16k_{ers}} | 16 KB Block erase time | 168 | 290 | 320 | 500 | 9,000 | ms | |
| t _{16k_{pgm}} | 16 KB Block program time | 34 | 45 | 50 | 70 | 1,400 | ms | |
| t _{32k_{ers}} | 32 KB Block erase time | 217 | 360 | 390 | 610 | 9,000 | ms | |
| t _{32k_{pgm}} | 32 KB Block program time | 69 | 100 | 110 | 140 | 2,800 | ms | |
| t _{64k_{ers}} | 64 KB Block erase time | 315 | 490 | 590 | 820 | 9,000 | ms | |
| t _{64k_{pgm}} | 64 KB Block program time | 138 | 180 | 210 | 280 | 5,500 | ms | |
| t _{256k_{ers}} | 256 KB Code erase time ⁷ | 884 | 1,520 | 2,030 | 1,080 | 4,000 | — | ms |
| t _{256k_{pgm}} | 256 KB Code program time ⁷ | 552 | 720 | 880 | 650 | 4,000 | — | ms |

1. Program times are actual hardware programming times and do not include software overhead. Block program times assume quad-page programming.
2. Typical program and erase times represent the median performance and assume nominal supply values and operation at 25 °C. Typical program and erase times may be used for throughput calculations.
3. Conditions: ≤ 150 cycles, nominal voltage.
4. Plant Programming times provide guidance for timeout limits used in the factory.
5. Typical End of Life program and erase times represent the median performance and assume nominal supply values. Typical End of Life program and erase values may be used for throughput calculations.
6. Conditions: -40°C ≤ T_J ≤ 165°C; full spec voltage. 16 KB, 32 KB and 64 KB blocks are allowed to be programmed or erased up to T_J = 165°C with restrictions.
7. 256 KB blocks may be programmed or erased at T_J = 150°C maximum. Times listed on this row are T_J = 150°C times.

3.16.2.2 Flash memory Array Integrity and Margin Read specifications

Table 33. Flash memory Array Integrity and Margin Read specifications

| Symbol | Characteristic | Min | Typical | Max ¹ | Units ² |
|-----------------------|---|-----|---------|---|--------------------|
| t _{ai16kseq} | Array Integrity time for sequential sequence on 16KB block. | — | — | 512 x T _{period} x N _{read} | — |

Table continues on the next page...

Table 33. Flash memory Array Integrity and Margin Read specifications (continued)

| Symbol | Characteristic | Min | Typical | Max ¹ | Units ² |
|-----------------|--|--------|---------|------------------------------|--------------------|
| $t_{ai32kseq}$ | Array Integrity time for sequential sequence on 32KB block. | — | — | 1024 x Tperiod x Nread | — |
| $t_{ai64kseq}$ | Array Integrity time for sequential sequence on 64KB block. | — | — | 2048 x Tperiod x Nread | — |
| $t_{ai256kseq}$ | Array Integrity time for sequential sequence on 256KB block. | — | — | 8192 x Tperiod x Nread | — |
| $t_{mr16kseq}$ | Margin Read time for sequential sequence on 16KB block. | 73.81 | — | 110.7 | μs |
| $t_{mr32kseq}$ | Margin Read time for sequential sequence on 32KB block. | 128.43 | — | 192.6 | μs |
| $t_{mr64kseq}$ | Margin Read time for sequential sequence on 64KB block. | 237.65 | — | 356.5 | μs |
| $t_{mr256kseq}$ | Margin Read time for sequential sequence on 256KB block. | 893.01 | — | 1,339.5 | μs |

1. Array Integrity times need to be calculated and is dependant on system frequency and number of clocks per read. The equation presented require Tperiod (which is the unit accurate period, thus for 200 MHz, Tperiod would equal 5e-9) and Nread (which is the number of clocks required for read, including pipeline contribution. Thus for a read setup that requires 6 clocks to read with no pipeline, Nread would equal 6. For a read setup that requires 6 clocks to read, and has the address pipeline set to 2, Nread would equal 4 (or 6 - 2).)
2. The units for Array Integrity are determined by the period of the system clock. If unit accurate period is used in the equation, the results of the equation are also unit accurate.

3.16.2.3 Flash memory module life specifications

Table 34. Flash memory module life specifications

| Symbol | Characteristic | Conditions | Min | Typical | Units |
|------------------|--|-----------------------------------|---------|---------|------------|
| Array P/E cycles | Number of program/erase cycles per block for 16 KB, 32 KB and 64 KB blocks. ¹ | - | 250,000 | - | P/E cycles |
| | Number of program/erase cycles per block for 256 KB blocks. ² | - | 1,000 | 250,000 | P/E cycles |
| Data retention | Minimum data retention. | Blocks with 0 - 1,000 P/E cycles. | 50 | - | Years |
| | | Blocks with 100,000 P/E cycles. | 20 | - | Years |
| | | Blocks with 250,000 P/E cycles. | 10 | - | Years |

1. Program and erase supported across standard temperature specs. Up to 10,000 program and erase cycles may be done between 150 °C and 165 °C out of the total specified number of cycles.
2. Program and erase supported across standard temperature specs.

3.16.2.4 Data retention vs program/erase cycles

Graphically, Data Retention versus Program/Erase Cycles can be represented by the following figure. The spec window represents qualified limits. The extrapolated dotted line demonstrates technology capability, however is beyond the qualification limits.



3.16.2.5 Flash memory AC timing specifications

Table 35. Flash memory AC timing specifications

| Symbol | Characteristic | Min | Typical | Max | Units |
|-------------|---|-----|------------------------------------|-------------------------------------|---------|
| t_{psus} | Time from setting the MCR-PSUS bit until MCR-DONE bit is set to a 1. | — | 9.4 plus four system clock periods | 11.5 plus four system clock periods | μs |
| t_{esus} | Time from setting the MCR-ESUS bit until MCR-DONE bit is set to a 1. | — | 16 plus four system clock periods | 20.8 plus four system clock periods | μs |
| t_{res} | Time from clearing the MCR-ESUS or PSUS bit with EHV = 1 until DONE goes low. | — | — | 100 | ns |
| t_{done} | Time from 0 to 1 transition on the MCR-EHV bit initiating a program/erase until the MCR-DONE bit is cleared. | — | — | 5 | ns |
| t_{dones} | Time from 1 to 0 transition on the MCR-EHV bit aborting a program/erase until the MCR-DONE bit is set to a 1. | — | 16 plus four system clock periods | 20.8 plus four system clock periods | μs |

Table continues on the next page...

Table 35. Flash memory AC timing specifications (continued)

| Symbol | Characteristic | Min | Typical | Max | Units |
|---------------|--|--------------------------------------|---------|--------------------------------------|---------|
| t_{drcv} | Time to recover once exiting low power mode. | 16 plus seven system clock periods. | — | 45 plus seven system clock periods | μ s |
| $t_{aistart}$ | Time from 0 to 1 transition of UT0-AIE initiating a Margin Read or Array Integrity until the UT0-AID bit is cleared. This time also applies to the resuming from a suspend or breakpoint by clearing AISUS or clearing NAIBP | — | — | 5 | ns |
| t_{aistop} | Time from 1 to 0 transition of UT0-AIE initiating an Array Integrity abort until the UT0-AID bit is set. This time also applies to the UT0-AISUS to UT0-AID setting in the event of a Array Integrity suspend request. | — | — | 80 plus fifteen system clock periods | ns |
| t_{mrstop} | Time from 1 to 0 transition of UT0-AIE initiating a Margin Read abort until the UT0-AID bit is set. This time also applies to the UT0-AISUS to UT0-AID setting in the event of a Margin Read suspend request. | 10.36 plus four system clock periods | — | 20.42 plus four system clock periods | μ s |

3.16.3 Flash memory read wait-state and address-pipeline control settings

The following table describes the recommended settings of the Flash Memory Controller's PFCR1[RWSC] and PFCR1[APC] fields at various operating frequencies, based on specified intrinsic flash memory access times of the C55FMC array at 150°C.

NOTE

If the user does not follow these recommended settings, the user must run the flash memory's array integrity (AI) check with breakpoints disabled: Set the Array Integrity Break Point Enable bit in the C55FMC's UTest 0 register (C55FMC_UT0[AIBPE]) to 0.

Table 36. Flash memory read wait-state and address-pipeline control combinations

| Operating frequency ($f_{CPU} = SYS_CLK$) | | RWSC | APC | Flash read latency on mini-cache miss (# of f_{CPU} clock periods) | Flash read latency on mini-cache hit (# of f_{CPU} clock periods) |
|--|---|------|-----|--|---|
| -40°C to 150°C | Max 165°C option | | | | |
| $0\text{ MHz} < f_{CPU} \leq 33\text{ MHz}$ | $0\text{ MHz} < f_{CPU} \leq 30\text{ MHz}$ | 0 | 0 | 3 | 1 |
| $33\text{ MHz} < f_{CPU} \leq 100\text{ MHz}$ | $30\text{ MHz} < f_{CPU} \leq 90\text{ MHz}$ | 2 | 1 | 5 | 1 |
| $100\text{ MHz} < f_{CPU} \leq 133\text{ MHz}$ | $90\text{ MHz} < f_{CPU} \leq 120\text{ MHz}$ | 3 | 1 | 6 | 1 |

Table continues on the next page...

Table 36. Flash memory read wait-state and address-pipeline control combinations (continued)

| Operating frequency ($f_{\text{CPU}} = \text{SYS_CLK}$) | | RWSC | APC | Flash read latency on mini-cache miss (# of f_{CPU} clock periods) | Flash read latency on mini-cache hit (# of f_{CPU} clock periods) |
|--|---|------|-----|---|--|
| -40°C to 150°C | Max 165°C option | | | | |
| 133 MHz < $f_{\text{CPU}} \leq 167$ MHz | 120 MHz < $f_{\text{CPU}} \leq 150$ MHz | 4 | 1 | 7 | 1 |
| 167 MHz < $f_{\text{CPU}} \leq 200$ MHz | 150 MHz < $f_{\text{CPU}} \leq 180$ MHz | 5 | 2 | 8 | 1 |

3.17 SGEN electrical characteristics

Table 37. SGEN electrical characteristics

| Symbol | Parameter | Min | Typ | Max | Unit |
|-------------------|---|-------|-------|-------|------|
| SGEN_CLK | Input clock | 12 | 16 | 20 | MHz |
| APP | Sine wave amplitude (peak to peak) ^{1,2} | 0.438 | — | 2.093 | V |
| MaxAPP | Maximum Amplitude (peak - peak) ¹ | 1.884 | 2.093 | 2.302 | V |
| MinAPP | Minimum Amplitude (peak-peak) ¹ | 0.394 | 0.438 | 0.482 | V |
| AV | Amplitude variation ³ | -10 | — | 10 | % |
| CV | Common voltage ⁴ | 1.3 | | | V |
| CVV | Common voltage variation | -6 | — | 6 | % |
| SINAD | Signal-to-noise ratio plus distortion ⁵ | 45 | 60.5 | — | dB |
| FREQ | Frequency range of the sine wave | 1 | — | 50 | kHz |
| FRP | Frequency precision of the sine wave (peak to peak variation) | -5 | — | 5 | % |
| C _{Load} | Load capacitance | 25 | — | 100 | pF |
| R _{ESD} | ESD Pad Resistance ⁶ | 149 | 213 | 277 | Ω |
| I _{OUT} | Output current | 0 | — | 100 | μA |
| T _J | Junction temperature | -40 | — | 165 | °C |

1. Peak to Peak value is measured with no R or I load.
2. It is range of the typical values for room temperature.
3. Peak to Peak excludes noise, SINAD must be considered.
4. Common mode value is measured with no R or I load.
5. SINAD is measured at Max Peak-to-Peak voltage.
6. Internal device routing resistance. ESD pad resistance is in series and must be considered for max Peak-to-Peak voltages, depending on application Iload and/or Rload.

3.18 RESET sequence duration

This following table shows the duration of different reset sequences. See the chip's Reference Manual for details about the reset sequences.

Table 38. RESET sequences

| Symbol | Parameter | Conditions | T _{Reset} | | | Unit |
|-------------------|---|---|--------------------|------|------------------|------|
| | | | Min | Typ | Max ¹ | |
| T _{DRB} | 'Destructive' reset sequence, BIST enabled | Self test clock in STCU is the PLL generated clock. Self test configuration as per DCF record programming. For four LBIST partitions in design, two LBIST partitions are run in parallel. | — | — | 18.0 | ms |
| T _{DR} | 'Destructive' reset sequence, BIST disabled | — | — | 440 | 480 | µs |
| T _{ERLB} | External reset sequence—long, BIST enabled | Self test clock in STCU is the PLL generated clock. Self test configuration as per DCF record programming. For four LBIST partitions in design, two LBIST partitions are run in parallel. | — | — | 17.5 | ms |
| T _{ERL} | External reset sequence—long, BIST disabled | — | — | 120 | 150 | µs |
| T _{FRL} | Functional reset sequence—long | — | — | 165 | 180 | µs |
| T _{FRS} | Functional reset sequence—short | — | — | 10.0 | 12.0 | µs |

1. The maximum value applies only if the reset sequence duration is not prolonged by an extended assertion of RESET_B by an external reset generator.

3.19 AC specifications

AC Parameters are specified over the full operating junction temperature range of -40°C to +165°C and for the full operating range of the V_{DD_IO} supply defined in [DC electrical characteristics](#).

Table 39. Functional Pad AC Specifications

| Symbol | Prop. Delay (ns) ¹ L>H/H>L | | Rise/Fall Edge (ns) | | Drive Load (pF) | SIUL2_MSCRn's SRC[1:0] field |
|--------------|--|---------|---------------------|-------|-----------------|------------------------------|
| | Min | Max | Min | Max | | MSB,LSB |
| I/O (output) | 2.5/2.5 | 7.5/7.5 | 0.9/0.9 | 3/3 | 50 | 11 |
| | — | — | — | 12/12 | 200 | |

Table continues on the next page...

**Table 39. Functional Pad AC Specifications
(continued)**

| Symbol | Prop. Delay (ns) ¹ L>H/H>L | | Rise/Fall Edge (ns) | | Drive Load (pF) | SIUL2_MSCRn's SRC[1:0] field |
|-------------|--|-----------|---------------------|---------|--------------------|---------------------------------|
| | Min | Max | Min | Max | | MSB,LSB |
| | — | 8/8 | — | 3.5/3.5 | 25 | 10 |
| | — | 11.5/11.5 | — | 6.5/6.5 | 50 | |
| | — | — | — | 30/30 | 200 | |
| | — | 45/45 | — | 25/25 | 50 | 01 |
| | — | 65/65 | — | 30/30 | 200 | |
| | — | 75/75 | — | 40/40 | 50 | 00 ² |
| | — | 110/110 | — | 50/50 | 200 | |
| I/O (input) | — | 1.5/1.5 | — | 0.5/0.5 | 0.5 | NA |

1. As measured from 50% of core side input to Voh/Vol of the output
2. Slew rate control modes

3.19.1 Reset pad (**EXT_POR**, **RESET**) electrical characteristics

The device implements a dedicated bidirectional **RESET** pin.



Figure 9. Start-up reset requirements



Figure 10. Noise filtering on reset signal

Table 40. Reset ($\overline{\text{RESET}}$) electrical characteristics

| Symbol | Parameter | Conditions | Value | | | Unit |
|-------------|--|--|-------|-----|------------------------|---------------|
| | | | Min | Typ | Max | |
| V_{IH} | Input high level TTL (Schmitt Trigger) | — | 2.0 | — | $V_{DD_HV_IO} + 0.4$ | V |
| V_{IL} | Input low level TTL (Schmitt Trigger) | — | -0.4 | — | 0.8 | V |
| V_{HYS} | Input hysteresis TTL (Schmitt Trigger) | — | 300 | — | — | mV |
| I_{OL_R} | Strong pull-down current | Device under power-on reset $V_{DD_HV_A}=1.0\text{ V}$ $V_{OL} = 0.35 \cdot V_{DD_HV_IO}$ | 0.2 | — | — | mA |
| | | Device under power-on reset $V_{DD_HV_IO}=3.0\text{ V}$ $V_{OL} = 0.35 \cdot V_{DD_HV_IO}$ | 15 | — | — | mA |
| W_{FRST} | ($\overline{\text{RESET}}$)-input filtered pulse | — | — | — | 500 | ns |
| W_{NFRST} | ($\overline{\text{RESET}}$)-input not filtered pulse | — | 2 | — | — | μs |
| $ I_{WPD} $ | Weak pull-down current absolute value | RESET pin $V_{IN} = V_{DD}$ | 30 | — | 80 | μA |

Table 41. Reset (EXT_POR) electrical characteristics

| Symbol | Parameter | Conditions | Value | | | Unit |
|-----------------------------|--------------------------------|------------|-------|-----|---------------------------------|------|
| | | | Min | Typ | Max | |
| $W_{F\text{PORST}}$ | PORST input filtered pulse | — | — | — | 500 | ns |
| $W_{N\text{F}\text{PORST}}$ | PORST input not filtered pulse | — | 2000 | — | — | ns |
| $W_{I\text{H}}$ | Input high level | — | 2 | — | $V_{\text{DD_HV_IO}}$ +0.4 | V |
| $W_{I\text{L}}$ | Input low level | — | -0.4 | — | 0.8 | V |

3.19.2 WKUP/NMI timing

Table 42. WKUP/NMI glitch filter

| Symbol | Parameter | Min | Typ | Max | Unit |
|---------------------------|----------------------------------|-----|-----|-----|------|
| W_{FNMI} | NMI pulse width that is rejected | — | — | 20 | ns |
| $W_{\text{NF}\text{NMI}}$ | NMI pulse width that is passed | 400 | — | — | ns |

3.19.3 Debug/JTAG/Nexus/Aurora timing

3.19.3.1 JTAG interface timing

Table 43. JTAG pin AC electrical characteristics ¹

| # | Symbol | Characteristic | Min | Max | Unit |
|----|------------------------------------|--|-----|-----|------|
| 1 | t_{JCYC} | TCK Cycle Time | 36 | — | ns |
| 2 | t_{JDC} | TCK Clock Pulse Width | 40 | 60 | % |
| 3 | t_{TCKRISE} | TCK Rise and Fall Times (40% - 70%) | — | 3 | ns |
| 4 | $t_{\text{TMSS}}, t_{\text{TDIS}}$ | TMS, TDI Data Setup Time | 5 | — | ns |
| 5 | $t_{\text{TMSh}}, t_{\text{TDIH}}$ | TMS, TDI Data Hold Time | 5 | — | ns |
| 6 | t_{TDOV} | TCK Low to TDO Data Valid | — | 15 | ns |
| 7 | t_{TDOI} | TCK Low to TDO Data Invalid | 0 | — | ns |
| 8 | t_{TDOHZ} | TCK Low to TDO High Impedance | — | 15 | ns |
| 9 | t_{JCMPPW} | JCOMP Assertion Time | 100 | — | ns |
| 10 | t_{JCMPS} | JCOMP Setup Time to TCK Low | 40 | — | ns |
| 11 | t_{BSDV} | TCK Falling Edge to Output Valid | — | 600 | ns |
| 12 | t_{BSDVZ} | TCK Falling Edge to Output Valid out of High Impedance | — | 600 | ns |
| 13 | t_{BSDHZ} | TCK Falling Edge to Output High Impedance | — | 600 | ns |
| 14 | t_{BSDST} | Boundary Scan Input Valid to TCK Rising Edge | 15 | — | ns |
| 15 | t_{BSDHT} | TCK Rising Edge to Boundary Scan Input Invalid | 15 | — | ns |

- 1. These specifications apply to JTAG boundary scan only.



Figure 11. JTAG test clock input timing

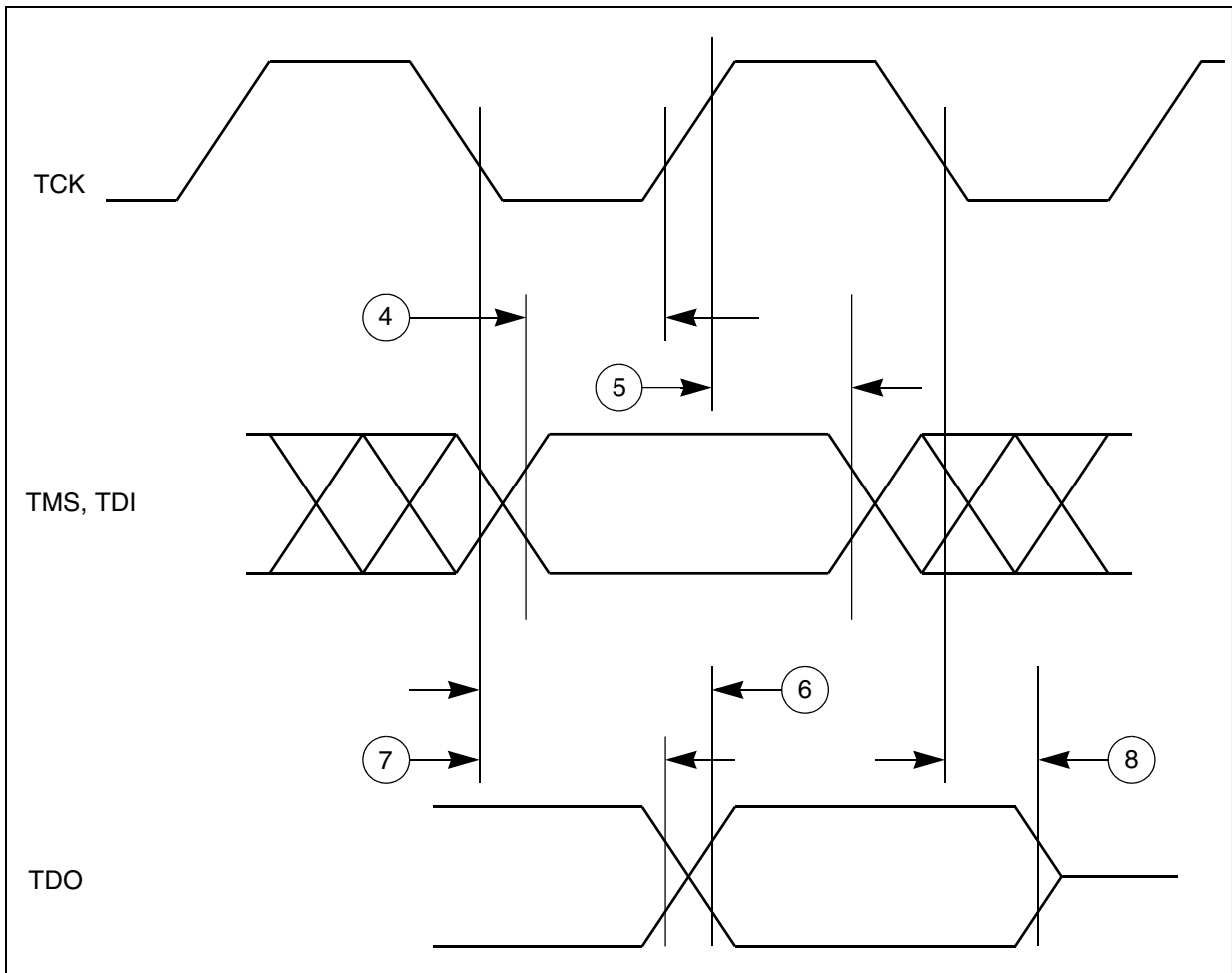


Figure 12. JTAG test access port timing



Figure 13. JTAG JCOMP timing



Figure 14. JTAG boundary scan timing

3.19.3.2 Nexus timing

Table 44. Nexus debug port timing ¹

| No. | Symbol | Parameter | Conditions | Min | Max | Unit |
|-----|---------------------------|--|------------|------|------|------------|
| 1 | t_{MCO} | MCKO Cycle Time | — | 15.6 | — | ns |
| 2 | t_{MDC} | MCKO Duty Cycle | — | 40 | 60 | % |
| 3 | t_{MDOV} | MCKO Low to MDO, \overline{MSEO} , \overline{EVTO} Data Valid ² | — | -0.1 | 0.25 | t_{MCO} |
| 4 | t_{EVTIPW} | \overline{EVTI} Pulse Width | — | 4 | — | t_{TCYC} |
| 5 | t_{EVTOPW} | \overline{EVTO} Pulse Width | — | 1 | — | t_{MCO} |
| 6 | t_{TCYC} | TCK Cycle Time ³ | — | 62.5 | — | ns |
| 7 | t_{TDC} | TCK Duty Cycle | — | 40 | 60 | % |
| 8 | t_{NTDIS} , t_{NTMSS} | TDI, TMS Data Setup Time | — | 8 | — | ns |
| 9 | t_{NTDIH} , t_{NTMSH} | TDI, TMS Data Hold Time | — | 5 | — | ns |
| 10 | t_{JOV} | TCK Low to TDO/RDY Data Valid | — | 0 | 25 | ns |

1. JTAG specifications in this table apply when used for debug functionality. All Nexus timing relative to MCKO is measured from 50% of MCKO and 50% of the respective signal.
2. For all Nexus modes except DDR mode, MDO, \overline{MSEO} , and \overline{EVTO} data is held valid until next MCKO low cycle.
3. The system clock frequency needs to be four times faster than the TCK frequency.

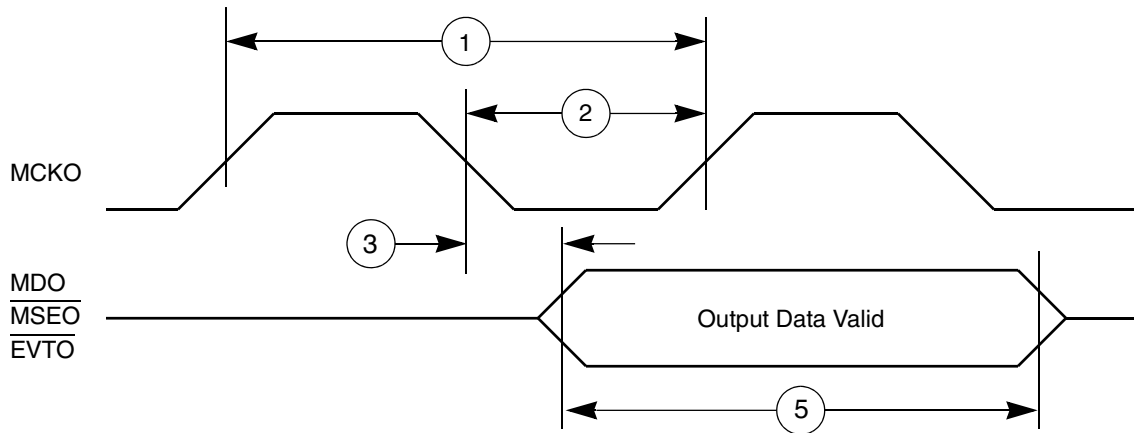


Figure 15. Nexus output timing



Figure 16. Nexus EVTI Input Pulse Width

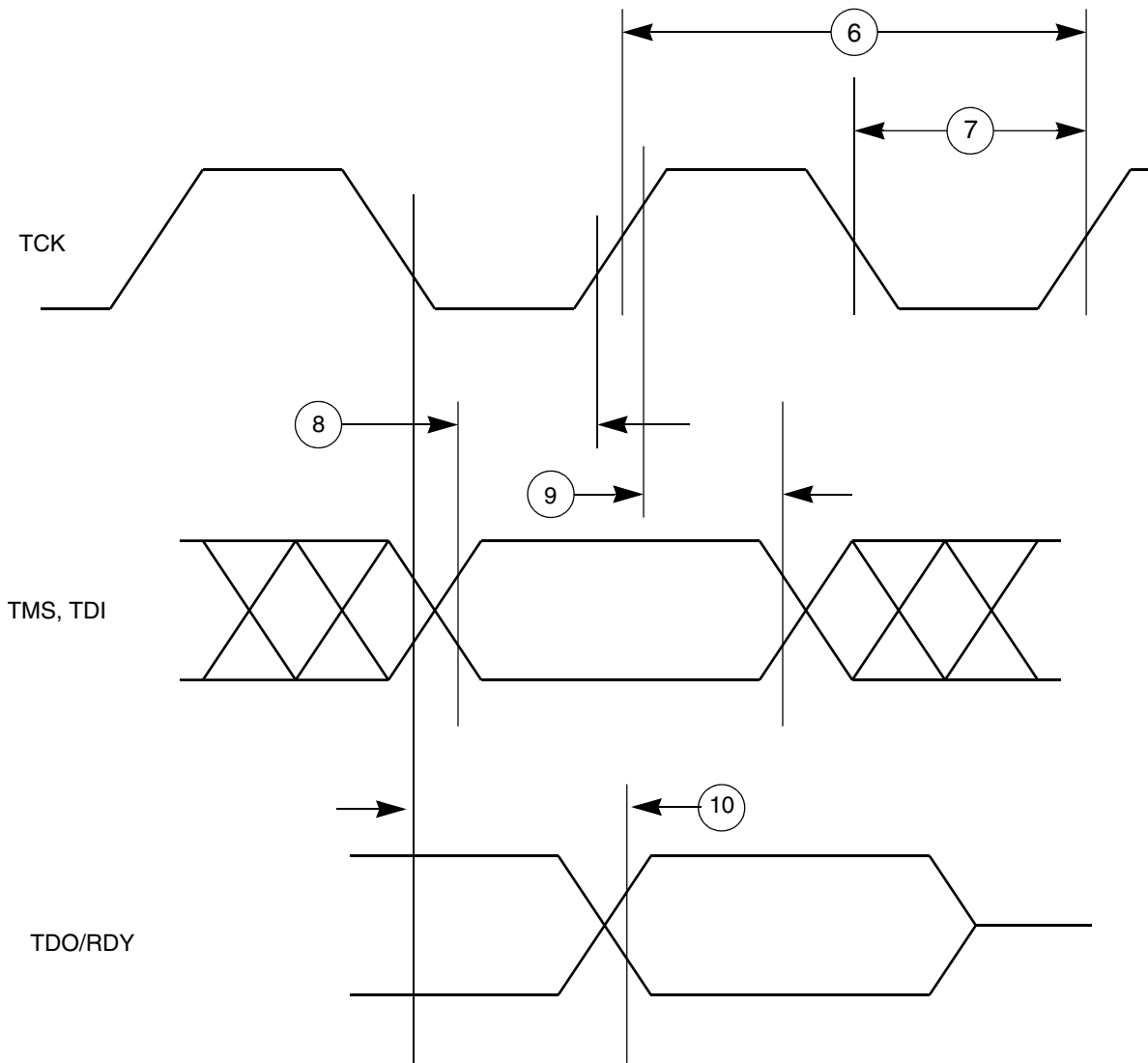


Figure 17. Nexus TDI, TMS, TDO timing

3.19.3.3 Aurora LVDS driver electrical characteristics

Table 45. Aurora LVDS driver electrical characteristics

| Symbol | Parameter ¹ | Value | | | Unit |
|------------------------|---------------------------------------|-------|------|----------|------|
| | | Min | Typ | Max | |
| Data Rate | | | | | |
| DATARATE | Data rate | — | 1250 | Typ+0.1% | Mbps |
| STARTUP | | | | | |
| T _{STRT_BIAS} | Bias startup time ² | — | — | 5 | μs |
| T _{STRT_TX} | Transmitter startup time ³ | — | — | 5 | μs |
| T _{STRT_RX} | Receiver startup time ⁴ | — | — | 4 | μs |

1. Conditions for these values are V_{DD_HV_IO} = 3.3 V (−5%, +10%), T_J = −40 to 150 °C

2. Startup time is defined as the time taken by LVDS current reference block for settling bias current after its pwr_down (power down) has been deasserted. LVDS functionality is guaranteed only after the startup time.

Maximum junction temperature 165°C

- Startup time is defined as the time taken by LVDS transmitter for settling after its pwr_down (power down) has been deasserted. Here it is assumed that current reference is already stable (see Bias start-up time). LVDS functionality is guaranteed only after the startup time.
- Startup time is defined as the time taken by LVDS receiver for settling after its pwr_down (power down) has been deasserted. Here it is assumed that current reference is already stable (see Bias start-up time). LVDS functionality is guaranteed only after the startup time.

3.19.3.4 Nexus Aurora debug port timing

Table 46. Nexus Aurora debug port timing

| # | Symbol | Characteristic | Min | Max | Unit |
|----|-----------------|------------------------------------|-----|------------|------|
| 1 | t_{REFCLK} | Reference clock frequency | 625 | 1250 | MHz |
| 2 | t_{RCDC} | Reference Clock Duty Cycle | 45 | 55 | % |
| 3 | J_{RC} | Reference Clock jitter | — | 40 | ps |
| 4 | $t_{STABILITY}$ | Reference Clock Stability | 50 | — | PPM |
| 5 | BER | Bit Error Rate | — | 10^{-12} | — |
| 6 | J_D | Transmit lane Deterministic Jitter | — | 0.17 | OUI |
| 7 | J_T | Transmit lane Total Jitter | — | 0.35 | OUI |
| 8 | S_O | Differential output skew | — | 20 | ps |
| 9 | S_{MO} | Lane to lane output skew | — | 1000 | ps |
| 10 | UI | Aurora lane Unit Interval | 800 | 1600 | ps |



Figure 18. Nexus Aurora timings

Rise/fall timing for the Nexus Aurora debug port reference clock must conform to the area between the minimum and maximum value ranges shown in the following receiver "eye" diagram.



Figure 19. Nexus Aurora receiver "eye" diagram

3.19.4 External interrupt timing (IRQ pin)

Table 47. External interrupt timing

| # | Symbol | Parameter | Conditions | Min | Max | Unit |
|---|------------|------------------------------------|------------|-----|-----|-----------|
| 1 | t_{IPWL} | IRQ pulse width low | — | 3 | — | t_{CYC} |
| 2 | t_{IPWH} | IRQ pulse width high | — | 3 | — | t_{CYC} |
| 3 | t_{ICYC} | IRQ edge to edge time ¹ | — | 6 | — | t_{CYC} |

1. Applies when IRQ pins are configured for rising edge or falling edge events, but not both

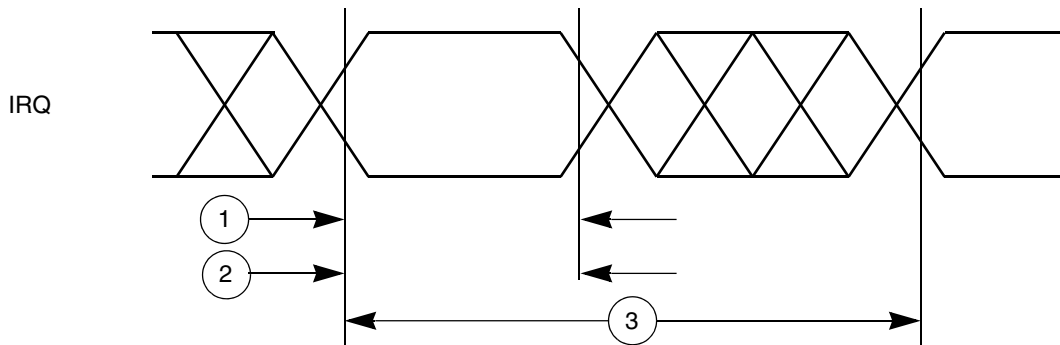


Figure 20. External interrupt timing

3.19.5 SPI timing

Table 48. SPI timing

| # | Symbol | Parameter | Conditions | Min | Max | Unit |
|----|------------|--|--|-------------------------------|-----------------|------|
| 1 | t_{SCK} | SPI cycle time | Master (MTFE = 0) | 40 | — | ns |
| | | | Slave (MTFE = 0) | 40 | — | |
| | | | Slave Receive Only Mode ¹ | 16 | — | |
| 2 | t_{CSC} | PCS to SCK delay | — | 16 | — | ns |
| 3 | t_{ASC} | After SCK delay | — | 16 | — | ns |
| 4 | t_{SDC} | SCK duty cycle | — | $t_{SCK}/2 - 4$ | $t_{SCK}/2 + 4$ | ns |
| 5 | t_A | Slave access time | \overline{SS} active to SOUT valid | — | 40 | ns |
| 6 | t_{DIS} | Slave SOUT disable time | \overline{SS} inactive to SOUT High-Z or invalid | — | 25 | ns |
| 7 | t_{PCSC} | PCSx to PCSS time | — | 13 | — | ns |
| 8 | t_{PASC} | PCSS to PCSx time | — | 13 | — | ns |
| 9 | t_{SUI} | Data setup time for inputs | Master (MTFE = 0) | 16 | — | ns |
| | | | Slave | 2 | — | |
| | | | Master (MTFE = 1, CPHA = 0) | $16 - (P^2 \times t_{SYS}^3)$ | — | |
| | | | Master (MTFE = 1, CPHA = 1) | 16 | — | |
| 10 | t_{HI} | Data hold time for inputs | Master (MTFE = 0) | -3 | — | ns |
| | | | Slave | 4 | — | |
| | | | Master (MTFE = 1, CPHA = 0) | $-3 + (P^2 \times t_{SYS}^3)$ | — | |
| | | | Master (MTFE = 1, CPHA = 1) | -3 | — | |
| 11 | t_{SUO} | Data valid (after SCK edge) time for outputs | Master (MTFE = 0) | — | 4 | ns |
| | | | Slave | — | 17 | |
| | | | Master (MTFE = 1, CPHA = 0) | — | $4 + t_{SYS}^3$ | |
| | | | Master (MTFE = 1, CPHA = 1) | — | 4 | |
| 12 | t_{HO} | Data hold time for outputs | Master (MTFE = 0) | -4 | — | ns |
| | | | Slave | 3.6 | — | |

Table continues on the next page...

Table 48. SPI timing (continued)

| # | Symbol | Parameter | Conditions | Min | Max | Unit |
|---|--------|-----------|-----------------------------|-----|-----|------|
| | | | Master (MTFE = 1, CPHA = 0) | -4 | — | |
| | | | Master (MTFE = 1, CPHA = 1) | -4 | — | |

1. Slave Receive Only Mode can operate at a maximum frequency of 60 MHz. In this mode, the SPI can receive data on SIN, but no valid data is transmitted on SOUT.
2. P is the number of clock cycles added to delay the SPI input sample point and is software programmable.
3. t_{SYS} is the period of the DSPI_CLKn clock, the input clock to the SPI module. Maximum frequency is 50 MHz (min t_{SYS} = 20 ns).

NOTE

For numbers shown in the following figures, see [Table 48](#).



Figure 21. DSPI classic SPI timing — master, CPHA = 0



Figure 22. DSPI classic SPI timing — master, CPHA = 1

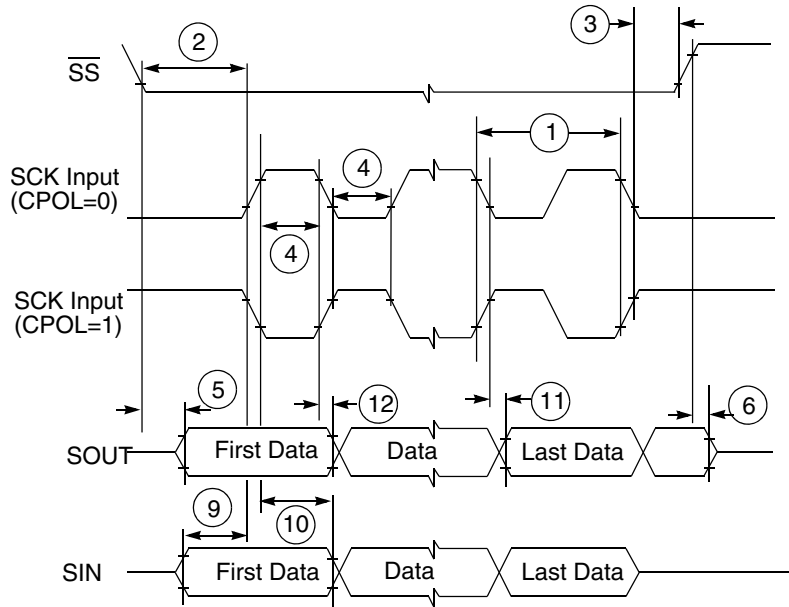


Figure 23. DSPI classic SPI timing — slave, CPHA = 0



Figure 24. DSPI classic SPI timing — slave, CPHA = 1



Figure 25. DSPI modified transfer format timing — master, CPHA = 0

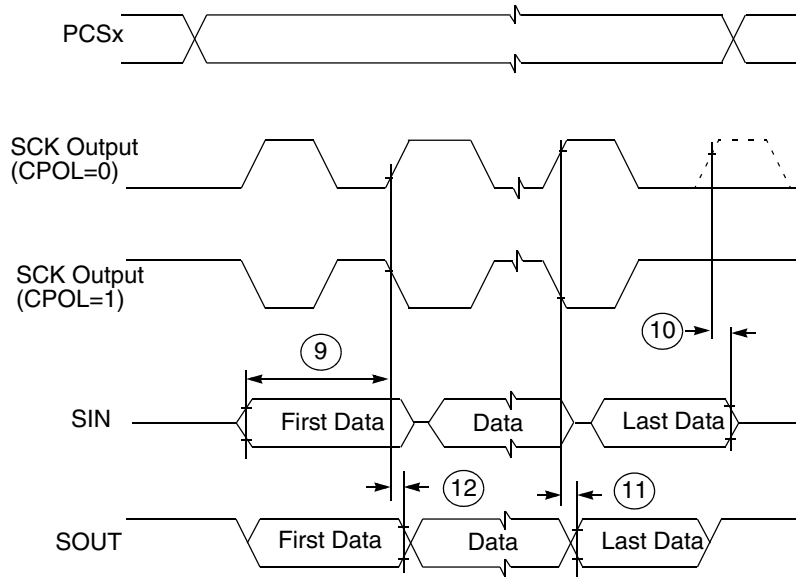


Figure 26. DSPI modified transfer format timing — master, CPHA = 1



Figure 27. DSPI modified transfer format timing – slave, CPHA = 0



Figure 28. DSPI modified transfer format timing — slave, CPHA = 1



Figure 29. DSPI PCS strobe (PCSS) timing

3.19.6 LFAST

3.19.6.1 LFAST interface timing diagrams



Figure 30. LFAST timing definition



Figure 31. Power-down exit time



Figure 32. Rise/fall time

3.19.6.2 LFAST interface electrical characteristics

Table 49. LFAST electrical characteristics

| Symbol | Parameter | Conditions ¹ | Value | | | Unit |
|------------------------|---|-------------------------|-------|---------|----------|------|
| | | | Min | Typ | Max | |
| V _{DD_HV_IO} | Operating supply conditions | | 3.15 | — | 3.6 | V |
| Data Rate | | | | | | |
| DATARATE | Data rate | — | — | 312/320 | Typ+0.1% | Mbps |
| STARTUP | | | | | | |
| T _{STRT_BIAS} | Bias startup time ² | — | — | 0.5 | 3 | µs |
| T _{PD2NM_TX} | Transmitter startup time (power down to normal mode) ³ | — | — | 0.2 | 2 | µs |
| T _{SM2NM_TX} | Transmitter startup time (sleep mode to normal mode) | — | — | 0.2 | 0.5 | µs |
| T _{PD2NM_RX} | Receiver startup time ⁵ (Power down to Normal mode) | — | — | 20 | 40 | ns |
| T _{PD2SM_RX} | Receiver startup time ⁴ (Power down to Sleep mode) | — | — | 20 | 50 | ns |

Table continues on the next page...

**Table 49. LFAST electrical characteristics
(continued)**

| Symbol | Parameter | Conditions ¹ | Value | | | Unit |
|-----------------------|--|-------------------------|-------------------|-----|------------------|------|
| | | | Min | Typ | Max | |
| TRANSMITTER | | | | | | |
| V _{OS_DRF} | Common mode voltage | — | 1.18 | — | 1.32 | V |
| ΔV _{OD_DRF} | Differential output voltage swing (terminated) | — | 100 | 200 | 285 | mV |
| T _{TR_DRF} | Rise/Fall time (10% - 90% of swing) | — | 0.26 | — | 1.5 | ns |
| R _{OUT_DRF} | Terminating resistance | — | 67 | — | 198 | Ω |
| C _{OUT_DRF} | Capacitance ⁶ | — | — | — | 5 | pF |
| RECEIVER | | | | | | |
| V _{ICOM_DRF} | Common mode voltage | — | 0.15 ⁷ | — | 1.6 ⁸ | V |
| D _{VI_DRF} | Differential input voltage | — | 100 | — | — | mV |
| R _{IN_DRF} | Terminating resistance | — | 80 | 115 | 150 | Ω |
| C _{IN_DRF} | Capacitance ⁹ | — | — | 3.5 | 6 | pF |
| L _{IN_DRF} | Parasitic Inductance ¹⁰ | — | — | 5 | 10 | nH |

- V_{DD_VH_IO} = 3.3 V -5%,+10%, T_J = -40 to 165 °C, unless otherwise specified
- Startup time is defined as the time taken by LFAST current reference block for settling bias current after its pwr_down (power down) has been deasserted. LFAST functionality is guaranteed only after the startup time.
- Startup time is defined as the time taken by LFAST transmitter for settling after its pwr_down (power down) has been deasserted. Here it is assumed that current reference is already stable. LFAST functionality is guaranteed only after the startup time.
- Startup time is defined as the time taken by LFAST transmitter for settling after its pwr_down (power down) has been deasserted. Here it is assumed that current reference is already stable. LFAST functionality is guaranteed only after the startup time.
- Startup time is defined as the time taken by LFAST receiver for settling after its pwr_down (power down) has been deasserted. Here it is assumed that current reference is already stable. LFAST functionality is guaranteed only after the startup time.
- Total lumped capacitance including silicon, package pin and bond wire. Application board simulation is needed to verify LFAST template compliancy.
- Absolute min = 0.15 V – (285 mV / 2) = 0 V
- Absolute max = 1.6 V + (285 mV / 2) = 1.743 V
- Total capacitance including silicon, package pin and bond wire
- Total inductance including silicon, package pin and bond wire

Table 50. LFAST electrical characteristics¹

| Symbol | Parameter | Conditions | Value | | | Unit |
|---------------------|---|------------|-------|---------|-----|------|
| | | | Min | Nominal | Max | |
| F _{RF_REF} | SysClk Frequency | — | 10 | — | 26 | MHz |
| ERR _{REF} | SysClk Frequency Error | — | -1 | — | 1 | % |
| DC _{REF} | SysClk Duty Cycle | — | 45 | — | 55 | % |
| C _{LOAD} | Output Buffer Load Capacitance | — | — | — | 10 | pF |
| R _{LOAD} | Output Buffer Load Resistance | — | 10 | — | — | kΩ |
| PN | Integrated Phase Noise (single side band) | 20 MHz | — | — | -58 | dBc |
| | | 10 MHz | — | — | -64 | dBc |

Table continues on the next page...

Table 50. LFAST electrical characteristics¹ (continued)

| Symbol | Parameter | Conditions | Value | | | Unit |
|-------------------|-------------------------------------|------------|-------|---------|-----|------|
| | | | Min | Nominal | Max | |
| F _{VCO} | PLL VCO Frequency | — | — | 320 | — | MHz |
| T _{LOCK} | PLL Phase Lock | — | — | — | 40 | μs |
| ΔPER | PLL Long Term Jitter (peak to peak) | — | — | — | 600 | ps |

1. The specifications in this table apply to both the interprocessor bus and debug LFAST interfaces.

3.19.7 FlexRay

3.19.7.1 FlexRay timing parameters

This section provides the FlexRay interface timing characteristics for the input and output signals. These numbers are recommended per the FlexRay Electrical Physical Layer Specification, Version 3.0.1, and subject to change per the final timing analysis of the device.

3.19.7.2 TxEN

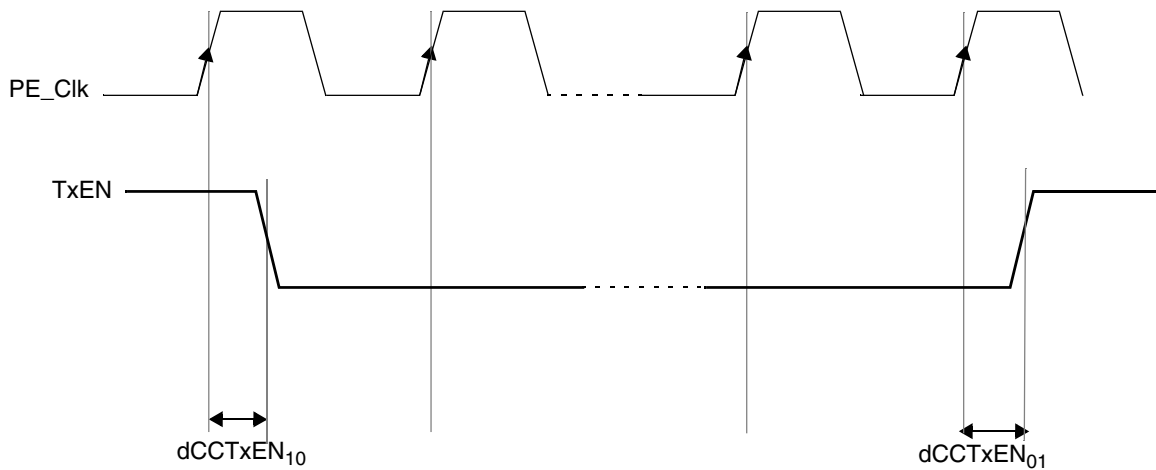


Figure 33. FlexRay TxEN signal

Table 51. TxEN output characteristics¹

| Name | Description | Min | Max | Unit |
|---------------------------|--|-----|-----|------|
| dCCTxEN _{RISE25} | Rise time of TxEN signal at CC | — | 9 | ns |
| dCCTxEN _{FALL25} | Fall time of TxEN signal at CC | — | 9 | ns |
| dCCTxEN ₀₁ | Sum of delay between Clk to Q of the last FF and the final output buffer, rising edge | — | 25 | ns |
| dCCTxEN ₁₀ | Sum of delay between Clk to Q of the last FF and the final output buffer, falling edge | — | 25 | ns |

1. All parameters specified for $V_{DD_HV_IO} = 3.3\text{ V} -5\%, +10\%$, $T_J = -40\text{ °C} / 165\text{ °C}$, TxEN pin load maximum 25 pF

**Figure 34. FlexRay TxEN signal propagation delays**

3.19.7.3 TxD

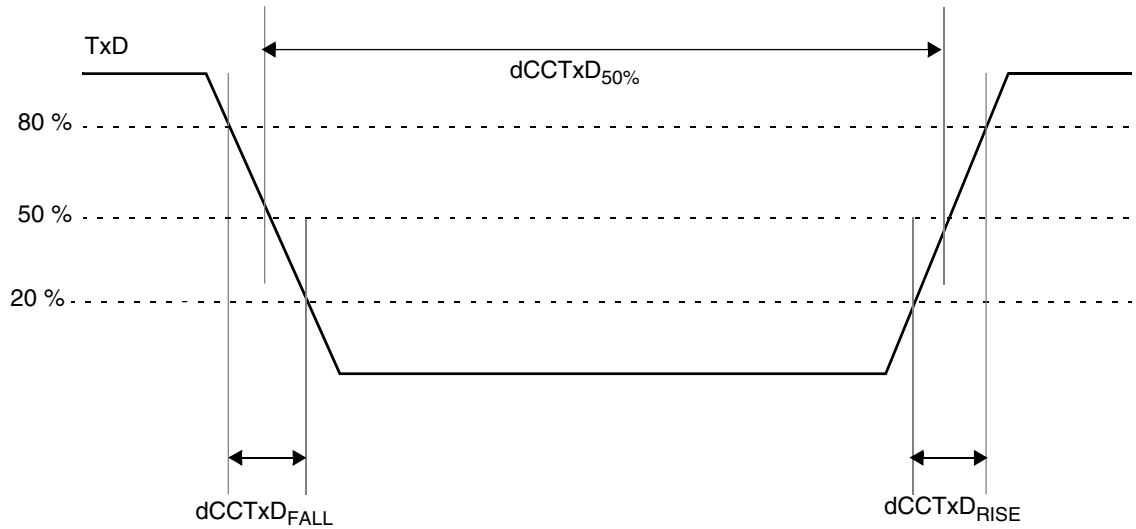


Figure 35. FlexRay TxD signal

Table 52. TxD output characteristics

| Name | Description ¹ | Min | Max | Unit |
|--|--|-------|------|------|
| dCCT _{xAsym} | Asymmetry of sending CC @ 25 pF load (=dCCTxD _{50%} - 100 ns) | -2.45 | 2.45 | ns |
| dCCTxD _{RISE25} +dCCTxD _{FALL25} | Sum of Rise and Fall time of TxD signal at the output | — | 9 | ns |
| dCCTxD ₀₁ | Sum of delay between Clk to Q of the last FF and the final output buffer, rising edge | — | 25 | ns |
| dCCTxD ₁₀ | Sum of delay between Clk to Q of the last FF and the final output buffer, falling edge | — | 25 | ns |

1. All parameters specified for V_{DD_HV_IO} = 3.3 V -5%, +10%, T_J = -40 °C / 165 °C, TxD pin load maximum 25 pF



*FlexRay Protocol Engine Clock

Figure 36. FlexRay TxD signal propagation delays

3.19.7.4 RxD

Table 53. RxD input characteristic

| Name | Description ¹ | Min | Max | Unit |
|------------|---|-----|-----|------|
| C_CCRxD | Input capacitance on RxD pin | — | 7 | pF |
| uCCLogic_1 | Threshold for detecting logic high | 35 | 70 | % |
| uCCLogic_0 | Threshold for detecting logic low | 30 | 65 | % |
| dCCRxD01 | Sum of delay from actual input to the D input of the first FF, rising edge | — | 10 | ns |
| dCCRxD10 | Sum of delay from actual input to the D input of the first FF, falling edge | — | 10 | ns |

1. All parameters specified for $V_{DD_HV_IO} = 3.3 \text{ V } -5\%, +10\%$, $T_J = -40 / 165 \text{ }^\circ\text{C}$

3.19.7.5 Receiver asymmetry

Table 54. Receiver asymmetry

| Name | Description | Min | Max | Unit |
|-------------------------------|---|-------|-------|------|
| dCCRxAsymAccept ₁₅ | Acceptance of asymmetry at receiving CC with 15 pF load (*) | -31.5 | +44.0 | ns |
| dCCRxAsymAccept ₂₅ | Acceptance of asymmetry at receiving CC with 25 pF load (*) | -30.5 | +43.0 | ns |

3.19.8 Ethernet switching specifications

The following timing specs are defined at the chip I/O pin and must be translated appropriately to arrive at timing specs/constraints for the physical interface.

3.19.8.1 MII signal switching specifications

The following timing specs meet the requirements for MII style interfaces for a range of transceiver devices.

Table 55. MII signal switching specifications

| Symbol | Description | Min. | Max. | Unit |
|--------|---------------------------------------|------|------|--------------|
| — | RXCLK frequency | — | 25 | MHz |
| MII1 | RXCLK pulse width high | 35% | 65% | RXCLK period |
| MII2 | RXCLK pulse width low | 35% | 65% | RXCLK period |
| MII3 | RXD[3:0], RXDV, RXER to RXCLK setup | 5 | — | ns |
| MII4 | RXCLK to RXD[3:0], RXDV, RXER hold | 5 | — | ns |
| — | TXCLK frequency | — | 25 | MHz |
| MII5 | TXCLK pulse width high | 35% | 65% | TXCLK period |
| MII6 | TXCLK pulse width low | 35% | 65% | TXCLK period |
| MII7 | TXCLK to TXD[3:0], TXEN, TXER invalid | 2 | — | ns |
| MII8 | TXCLK to TXD[3:0], TXEN, TXER valid | — | 25 | ns |



Figure 37. RMI/MII transmit signal timing diagram



Figure 38. RMII/MII receive signal timing diagram

3.19.8.2 RMII signal switching specifications

The following timing specs meet the requirements for RMII style interfaces for a range of transceiver devices.

Table 56. RMII signal switching specifications

| Num | Description | Min. | Max. | Unit |
|-------|---|------|------|-----------------|
| — | EXTAL frequency (RMII input clock RMII_CLK) | — | 50 | MHz |
| RMII1 | RMII_CLK pulse width high | 35% | 65% | RMII_CLK period |
| RMII2 | RMII_CLK pulse width low | 35% | 65% | RMII_CLK period |
| RMII3 | RXD[1:0], CRS_DV, RXER to RMII_CLK setup | 4 | — | ns |
| RMII4 | RMII_CLK to RXD[1:0], CRS_DV, RXER hold | 2 | — | ns |
| RMII7 | RMII_CLK to TXD[1:0], TXEN invalid | 4 | — | ns |
| RMII8 | RMII_CLK to TXD[1:0], TXEN valid | — | 15 | ns |

4 Obtaining package dimensions

Package dimensions are provided in package drawings.

To find a package drawing, go to <http://www.nxp.com> and perform a keyword search for the drawing's document number:

| If you want the drawing for this package | Then use this document number |
|--|-------------------------------|
| 144-pin LQFP | 98ASS23177W |
| 257-ball MAPBGA | 98ASA00081D |

5 Ordering information



| Temperature range | Package identifier | Operating frequency | Qualification status | Tape and reel status |
|---|----------------------------------|---|---|--------------------------------------|
| M = -40°C to +125°C K = -40°C to +135°C for extended temp (+165°C T _J) | LQ = 144 LQFP MM = 257 MAPBGA | 9 = 200 MHz 8 = 180 MHz 5 = 150 MHz | P = Pre-qualification M = Fully spec. qualified, general market flow S = Fully spec. qualified, automotive flow | R = Tape and reel (blank) = Trays |

Note: Not all options are available on all devices.

Table 57. Orderable part number examples

| Part number ¹ | Flash/SRAM | Package | Other features |
|--------------------------|---------------|----------------------|---|
| SPC5744PFK1MLQ9 | 2.5 MB/384 KB | 144 LQFP (Pb free) | -40 to +125 °C |
| SPC5744PGK1MMM9 | 2.5 MB/384 KB | 257 MAPBGA (Pb free) | Ethernet interface LFAST interface Nexus Aurora -40 to +125 °C |
| SPC5743PFK1MLQ9 | 2 MB/256 KB | 144 LQFP (Pb free) | -40 to +125 °C |
| SPC5743PGK1MMM9 | 2 MB/256 KB | 257 MAPBGA (Pb free) | Ethernet interface LFAST interface Nexus Aurora -40 to +125 °C |
| SPC5742PFK1MLQ9 | 1.5 MB/192 KB | 144 LQFP (Pb free) | -40 to +125 °C |
| SPC5742PGK1MMM9 | 1.5 MB/192 KB | 257 MAPBGA (Pb free) | Ethernet interface LFAST interface Nexus Aurora -40 to +125 °C |
| SPC5741PFK1MLQ9 | 1 MB/128 KB | 144 LQFP (Pb free) | -40 to +125 °C |
| SPC5741PGK1MMM9 | 1 MB/128 KB | 257 MAPBGA (Pb free) | Ethernet interface LFAST interface Nexus Aurora -40 to +125 °C |

1. All packaged devices are PPC, rather than MPC or SPC, until product qualifications are complete. Not all configurations are available in the PPC parts.

6 Document revision history

The following table summarizes revisions to this document since the previous release.

Table 58. Revision history

| Revision | Date | Description of changes |
|----------|---------|--|
| 6 | 05/2017 | <p>Changed Freescale to NXP throughout the document.</p> <p>Extensively updated Generic pins/balls.</p> <p>Absolute maximum ratings</p> <ul style="list-style-type: none"> • In Table 12 <ul style="list-style-type: none"> • for row set I_{INJ} changed "Maximum DC injection current per pin, 5 V pads" to "Maximum DC injection current per pin, 5V ADC pads". • For row set I_{INJ} updated the footnote. <p>Voltage regulator electrical characteristics</p> <ul style="list-style-type: none"> • In Table 17 <ul style="list-style-type: none"> • Added the note, "The device has to.....which drives the EXT_POR". • In existing row C_{Id} added Maximum value 18.8. • In existing row C_{pd} added Maximum value 300. • Renamed parameter from "Load Current transient" to "Load current transient time" and updated the Min and Max value. • Renamed the following parameters: <ul style="list-style-type: none"> • Supply ramp rate VDD12_CORE to Supply ramp rate VDD_LV_COR • Supply ramp rate VDD33_REG to Supply ramp rate VDD_HV_PMU • POR VDD12_CORE to POR_COR • POR VDD33_REG to POR_PMU • In Figure 4 changed VDD33_REG to VDD_HV_PMU. <p>16 MHz Internal RC Oscillator (IRCOSC) electrical specifications</p> <ul style="list-style-type: none"> • In Table 26 <ul style="list-style-type: none"> • Changed the Min and Max values for IRCOSC frequency (untrimmed) parameter. • Added IRC frequency variation with temperature and voltage compensation parameter row. <p>ADC electrical characteristics</p> <ul style="list-style-type: none"> • Changed the Note from "Unless noted otherwise, the specifications in Table 27 assume the use of 13-bit resolution: In ADC_CALBISTREG, set OPMODE to 110b" to "Unless noted otherwise, the specifications in Table 27 assume the use of 12-bit resolution (high accuracy, recommended): In ADC_CALBISTREG, set OPMODE to 110b". • In Table 27 for existing rows t_{sample} and t_{conv} changed the "13 bit resolution" to "12-bit resolution (high accuracy, recommended)". • In Flash memory program and erase specifications changed symbols for specifications: <ul style="list-style-type: none"> • Quad-page (1024 bits) program time: Changed symbol from t_{qppgn} to t_{ppgm} • 16 KB Block program time: Changed symbol from t_{16kpgn} to t_{16kpgm} • In Flash memory Array Integrity and Margin Read specifications incorporated minor editorial changes • In Flash memory AC timing specifications for t_{psus}: |

Table continues on the next page...

Table 58. Revision history (continued)

| Revision | Date | Description of changes |
|----------|---------|--|
| | | <ul style="list-style-type: none"> • Changed Typical from 7 μs plus four system clock periods to 9.4 μs plus four system clock periods • Changed Max from 9.1 μs plus four system clock periods to 11.5 μs plus four system clock periods <p>SGEN electrical characteristics</p> <ul style="list-style-type: none"> • Extensively updated the Table 37 <p>LFAST interface electrical characteristics</p> <ul style="list-style-type: none"> • In Table 49 for row set Δ_{VOD_DRF} deleted the \pm from the Max, Typ, and Min values. • In Table 49, removed the row set V_{HYS_DRF} |
| 6.1 | 10/2017 | <ul style="list-style-type: none"> • In Voltage regulator electrical characteristics changed the note, from "The device has to.....which drives the EXT_POR" to "When the external regulator.....regulator modes for safety operation". |

How to Reach Us:**Home Page:**nxp.com**Web Support:**nxp.com/support

Information in this document is provided solely to enable system and software implementers to use NXP products. There are no express or implied copyright licenses granted hereunder to design or fabricate any integrated circuits based on the information in this document. NXP reserves the right to make changes without further notice to any products herein.

NXP makes no warranty, representation, or guarantee regarding the suitability of its products for any particular purpose, nor does NXP assume any liability arising out of the application or use of any product or circuit, and specifically disclaims any and all liability, including without limitation consequential or incidental damages. "Typical" parameters that may be provided in NXP data sheets and/or specifications can and do vary in different applications, and actual performance may vary over time. All operating parameters, including "typicals," must be validated for each customer application by customer's technical experts. NXP does not convey any license under its patent rights nor the rights of others. NXP sells products pursuant to standard terms and conditions of sale, which can be found at the following address: nxp.com/SalesTermsandConditions.

NXP, the NXP logo, NXP SECURE CONNECTIONS FOR A SMARTER WORLD, COOLFLUX, EMBRACE, GREENCHIP, HITAG, I2C BUS, ICODE, JCOP, LIFE VIBES, MIFARE, MIFARE CLASSIC, MIFARE DESFire, MIFARE PLUS, MIFARE FLEX, MANTIS, MIFARE ULTRALIGHT, MIFARE4MOBILE, MIGLO, NTAG, ROADLINK, SMARTLX, SMARTMX, STARPLUG, TOPFET, TRENCHMOS, UCODE, Freescale, the Freescale logo, AltiVec, C-5, CodeTest, CodeWarrior, ColdFire, ColdFire+, C-Ware, the Energy Efficient Solutions logo, Kinetis, Layerscape, MagniV, mobileGT, PEG, PowerQUICC, Processor Expert, QorIQ, QorIQ Qonverge, Ready Play, SafeAssure, the SafeAssure logo, StarCore, Symphony, VortiQa, Vybrid, Airfast, BeeKit, BeeStack, CoreNet, Flexis, MXC, Platform in a Package, QUICC Engine, SMARTMOS, Tower, TurboLink, and UMEMS are trademarks of NXP B.V. All other product or service names are the property of their respective owners. ARM, AMBA, ARM Powered, Artisan, Cortex, Jazelle, Keil, SecurCore, Thumb, TrustZone, and μ Vision are registered trademarks of ARM Limited (or its subsidiaries) in the EU and/or elsewhere. ARM7, ARM9, ARM11, big.LITTLE, CoreLink, CoreSight, DesignStart, Mali, mbed, NEON, POP, Sensinode, Socrates, ULINK and Versatile are trademarks of ARM Limited (or its subsidiaries) in the EU and/or elsewhere. All rights reserved. Oracle and Java are registered trademarks of Oracle and/or its affiliates. The Power Architecture and Power.org word marks and the Power and Power.org logos and related marks are trademarks and service marks licensed by Power.org.

© 2011–2017 NXP B.V.

Компания «Океан Электроники» предлагает заключение долгосрочных отношений при поставках импортных электронных компонентов на взаимовыгодных условиях!

Наши преимущества:

- Поставка оригинальных импортных электронных компонентов напрямую с производств Америки, Европы и Азии, а так же с крупнейших складов мира;
- Широкая линейка поставок активных и пассивных импортных электронных компонентов (более 30 млн. наименований);
- Поставка сложных, дефицитных, либо снятых с производства позиций;
- Оперативные сроки поставки под заказ (от 5 рабочих дней);
- Экспресс доставка в любую точку России;
- Помощь Конструкторского Отдела и консультации квалифицированных инженеров;
- Техническая поддержка проекта, помощь в подборе аналогов, поставка прототипов;
- Поставка электронных компонентов под контролем ВП;
- Система менеджмента качества сертифицирована по Международному стандарту ISO 9001;
- При необходимости вся продукция военного и аэрокосмического назначения проходит испытания и сертификацию в лаборатории (по согласованию с заказчиком);
- Поставка специализированных компонентов военного и аэрокосмического уровня качества (Xilinx, Altera, Analog Devices, Intersil, Interpoint, Microsemi, Actel, Aeroflex, Peregrine, VPT, Syfer, Eurofarad, Texas Instruments, MS Kennedy, Miteq, Cobham, E2V, MA-COM, Hittite, Mini-Circuits, General Dynamics и др.);

Компания «Океан Электроники» является официальным дистрибьютором и эксклюзивным представителем в России одного из крупнейших производителей разъемов военного и аэрокосмического назначения «JONHON», а так же официальным дистрибьютором и эксклюзивным представителем в России производителя высокотехнологичных и надежных решений для передачи СВЧ сигналов «FORSTAR».



JONHON

«JONHON» (основан в 1970 г.)

Разъемы специального, военного и аэрокосмического назначения:

(Применяются в военной, авиационной, аэрокосмической, морской, железнодорожной, горно- и нефтедобывающей отраслях промышленности)

«FORSTAR» (основан в 1998 г.)

ВЧ соединители, коаксиальные кабели, кабельные сборки и микроволновые компоненты:

(Применяются в телекоммуникациях гражданского и специального назначения, в средствах связи, РЛС, а так же военной, авиационной и аэрокосмической отраслях промышленности).



Телефон: 8 (812) 309-75-97 (многоканальный)

Факс: 8 (812) 320-03-32

Электронная почта: ocean@oceanchips.ru

Web: <http://oceanchips.ru/>

Адрес: 198099, г. Санкт-Петербург, ул. Калинина, д. 2, корп. 4, лит. А