



UM11062

TEA1999DB1504 synchronous rectifier controller demo board

Rev. 1.1 — 20 February 2018

User manual

Document information



Information	Content
Keywords	TEA1999DB1504, TEA1999TK, flyback converter, Synchronous Rectifier (SR) driver, HVSON8, high efficiency, power supply, demo board
Abstract	<p>This user manual describes the TEA1999DB1504 demo board. The TEA1999DB1504 demo board can be connected to a flyback converter.</p> <p>The TEA1999DB1504 demo board contains a TEA1999TK SR controller in a HVSON-8 package.</p> <p>Additionally, the TEA1999DB1504 demo board contains two possible options to place power MOSFETs. It replaces the secondary rectification part of the flyback converter.</p>



Revision history

Rev	Date	Description
v.1.1	20180220	updated issue
Modifications:		<ul style="list-style-type: none">• Section 5 "Board photographs" has been updated.
v.1	20171201	first issue

1 Introduction

Warning	
	
<p>The non-insulated high voltages that are present when operating this product, constitute a risk of electric shock, personal injury, death and/or ignition of fire. This product is intended for evaluation purposes only. It shall be operated in a designated test area by personnel qualified according to local requirements and labor laws to work with non-insulated mains voltages and high-voltage circuits. This product shall never be operated unattended.</p>	

This document describes the TEA1999DB1504 demo board. A functional description is provided, including instructions about how to connect the board, for the best results and performance. The TEA1999DB1504 demo board contains the secondary part of a single output flyback converter, excluding the output capacitors and the feedback control hardware. To use the TEA1999DB1504 demo board correctly, a flyback converter board in which the demo board can replace the secondary rectifier part is required.

2 Safety warning

The board application is AC mains voltage powered. Avoid touching the board while it is connected to the mains voltage and when it is in operation. An isolated housing is obligatory when used in uncontrolled, non-laboratory environments. Galvanic isolation from the mains phase using a fixed or variable transformer is always recommended.

[Figure 1](#) shows the symbols on how to recognize these devices.

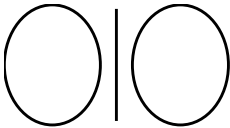
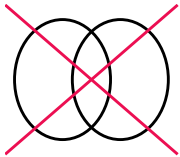
 <p>019aab173</p> <p>a. Isolated</p>	 <p>019aab174</p> <p>b. Not isolated</p>
---	---

Figure 1. Isolation symbols

3 Specifications

Table 1. TEA1999DB1504 specifications

Symbol	Parameter	Value	Conditions
V_{XV}	voltage on pin XV	-0.4 V to +12 V	MOSFET = 60 V
		-0.4 V to +26 V	MOSFET = 100 V
V_{DRAIN}	voltage on pin DRAIN	-0.8 V to +60 V	MOSFET = 60 V
		-0.8 V to +100 V	MOSFET = 100 V
V_{SOURCE}	voltage on pin SOURCE		-0.4 V to +0.4 V
$P_{i(no\ load)}$	no-load input power	1 mW to 1.5 mW	$V_{XV} = 5\ V$

4 TEA1999TK SR controller

The TEA1999TK is a dedicated controller IC for synchronous rectification on the secondary side of flyback converters. It incorporates the sensing stage and driver stages for driving the SR MOSFET. The SR MOSFET rectifies the output of the secondary transformer winding.

The TEA1999TK can generate its own supply voltage for battery charging applications with low output voltage or for applications with high-side rectification.

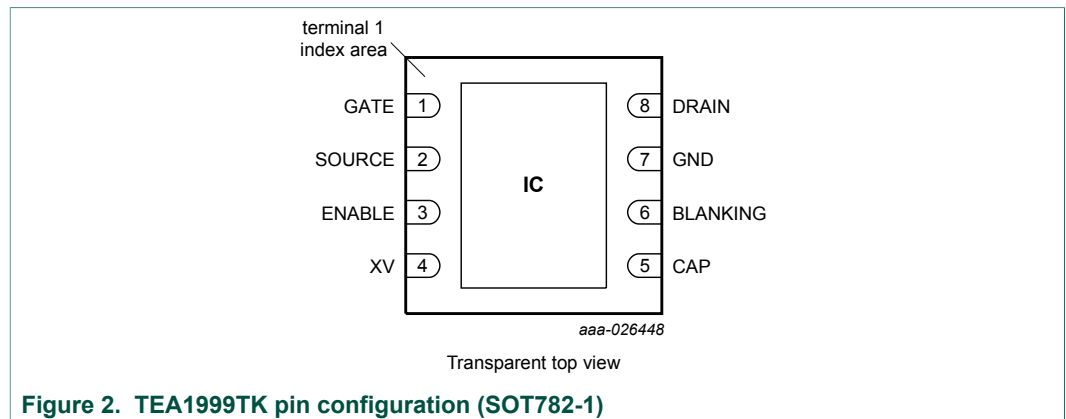
The TEA1999TK can be used in all power supplies that require a high efficiency, like:

- Chargers
- Adapters
- Flyback power supplies with very low and/or variable output voltages

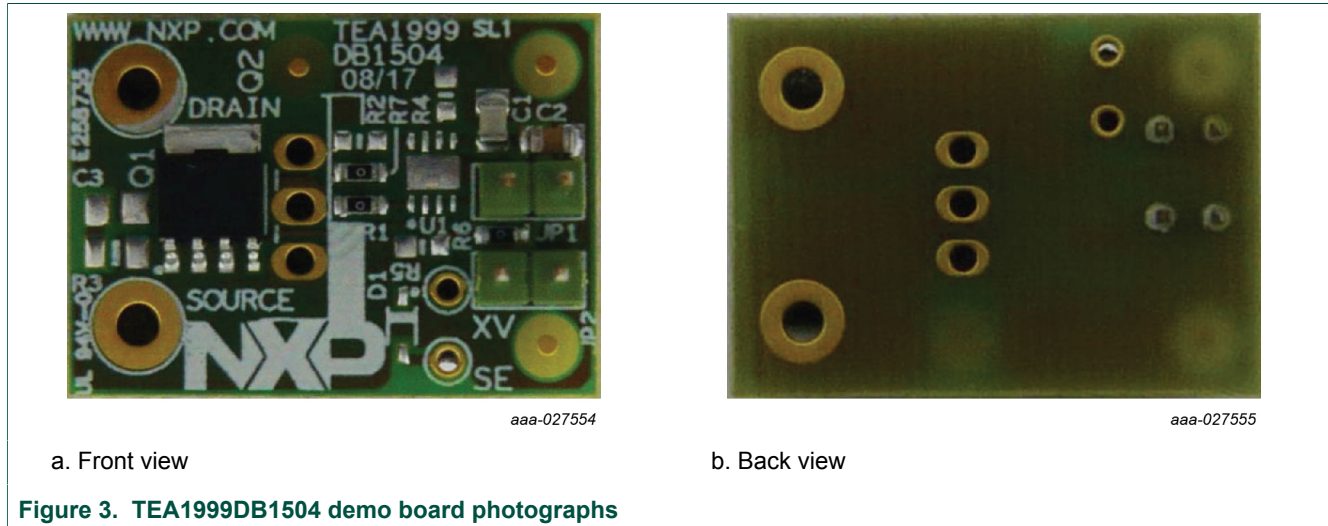
4.1 Features

- Operates in an output voltage range between 26 V and 0 V
- Drain sense pin capable of handling input voltages up to 120 V
- Self-supply function
- Operates with standard and logic level SR MOSFETs
- Supports USB BC, QuickCharge, and smart charging applications
- Adaptive gate drive for fast turn-off at the end of conduction
- Under Voltage Lockout (UVLO) with active gate pull-down
- Blanking input for low and high switching frequency
- Enable input for CCM operation and for disabling at start-up or shorted output

4.2 Pinning



5 Board photographs



Keep the board clean after soldering. For no_clean fluxes, keep the board under pollution degree 1 board conditions (IEC 60065).

6 Board connections

6.1 Connections for low-side SR

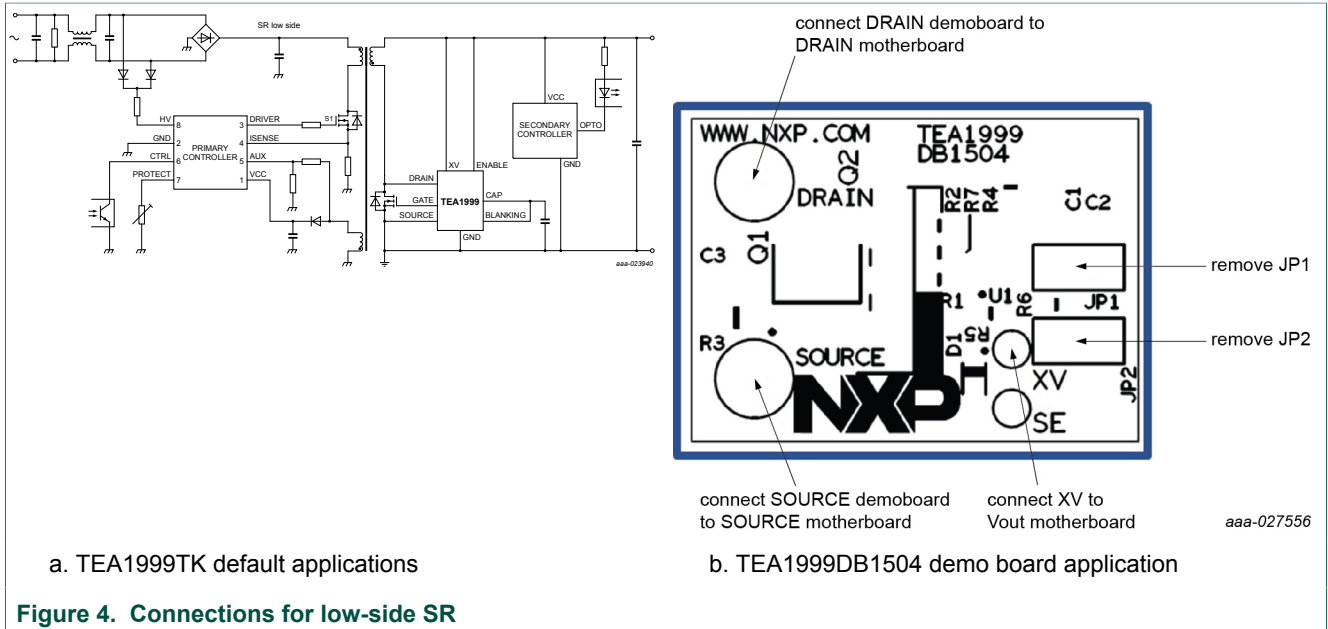


Figure 4. Connections for low-side SR

Figure 4 (a) shows the default TEA1999TK application for low-side SR. The drain, gate, and source connection of the TEA1999TK can be coupled directly to the corresponding pins of the MOSFET. Put small, 0 Ω resistors in the drain and gate tracks. To reduce high gate current spikes, the resistor in the gate track can be modified (maximum: 10 Ω). The resistor in the drain track can protect this track from being damaged during pin short conditions. Normally, a snubber provision, like R3/C3 in Figure 4 (b), is also recommended. For low-frequency (up to 150 kHz) applications, the BLANKING pin can be directly connected to the CAP pin. For higher frequencies (> 150 kHz), the BLANKING pin can be connected directly to ground. Connect the ENABLE pin via a low pass R/C filter, which is connected to the output voltage. In this way, the SR gate driver is automatically disabled if output short conditions occur.

Figure 4 (b) shows how to connect the TEA1999DB1504 demo board to an existing application. First, remove the original rectifier circuit in the existing application. The original rectifier circuit consists of either a diode or the combination of an SR controller and a MOSFET. Then, connect the DRAIN, SOURCE, and XV pins of the demo board to the drain, source, and V_{out} connections of the main application with short wires. Also, remove the JP1 and JP2 jumpers. This way, the SR controller functions in a correct way for output voltages up to 12 V and the circuit can be evaluated. For output voltages higher than 12 V (up to 26 V), replace MOSFET Q1 (60 V version) on the demo board with a more robust MOSFET (100 V version).

6.2 Connections for high-side SR with self-supply

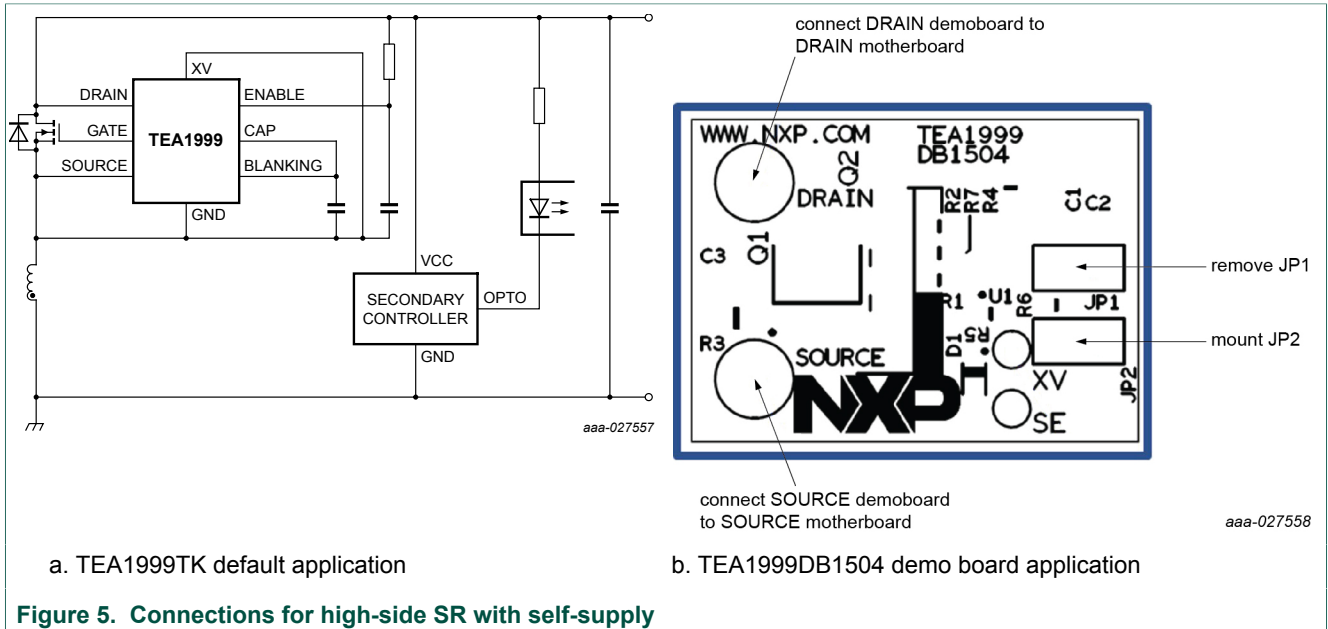


Figure 5. Connections for high-side SR with self-supply

Figure 5 (a) shows the default TEA1999TK application for high-side SR. The drain, gate, and source connection of the TEA1999TK can be coupled directly to the corresponding pins of the MOSFET. Put small, 0 Ω resistors in the drain and gate tracks. To reduce high gate current spikes, the resistor in the gate track can be modified (maximum: 10 Ω). The resistor in the drain track can protect this track from being damaged during pin short conditions. Normally, a snubber provision, like R3/C3 in Figure 5 (b), is also recommended. For low-frequency (up to 150 kHz) applications, the BLANKING pin can be directly connected to the CAP pin. For higher frequencies (> 150 kHz), the BLANKING pin can be connected directly to ground. The ENABLE pin can best be connected via a low pass R/C filter, which is connected to the output voltage. This way, the SR gate driver is automatically disabled if output short conditions occur.

Figure 5 (b) shows how to connect the TEA1999DB1504 demo board to an existing application. First, remove the original rectifier circuit in the existing application. The original rectifier circuit consists of either a diode or the combination of an SR controller and a MOSFET. Then, connect The DRAIN and SOURCE pins of the demo board to the drain and source connections of the main application with short wires. Remove jumper JP1 and mount jumper JP2. This way, the XV pin is connected to the GND pin and the CAP voltage is charged to a level of approximately 9.8 V. The SR controller functions in a correct way for output voltages up to 12 V and the circuit can be evaluated. For output voltages higher than 12 V (up to 26 V), replace MOSFET Q1 (60 V version) on the demo board with a more robust MOSFET (100 V version).

7 Schematic

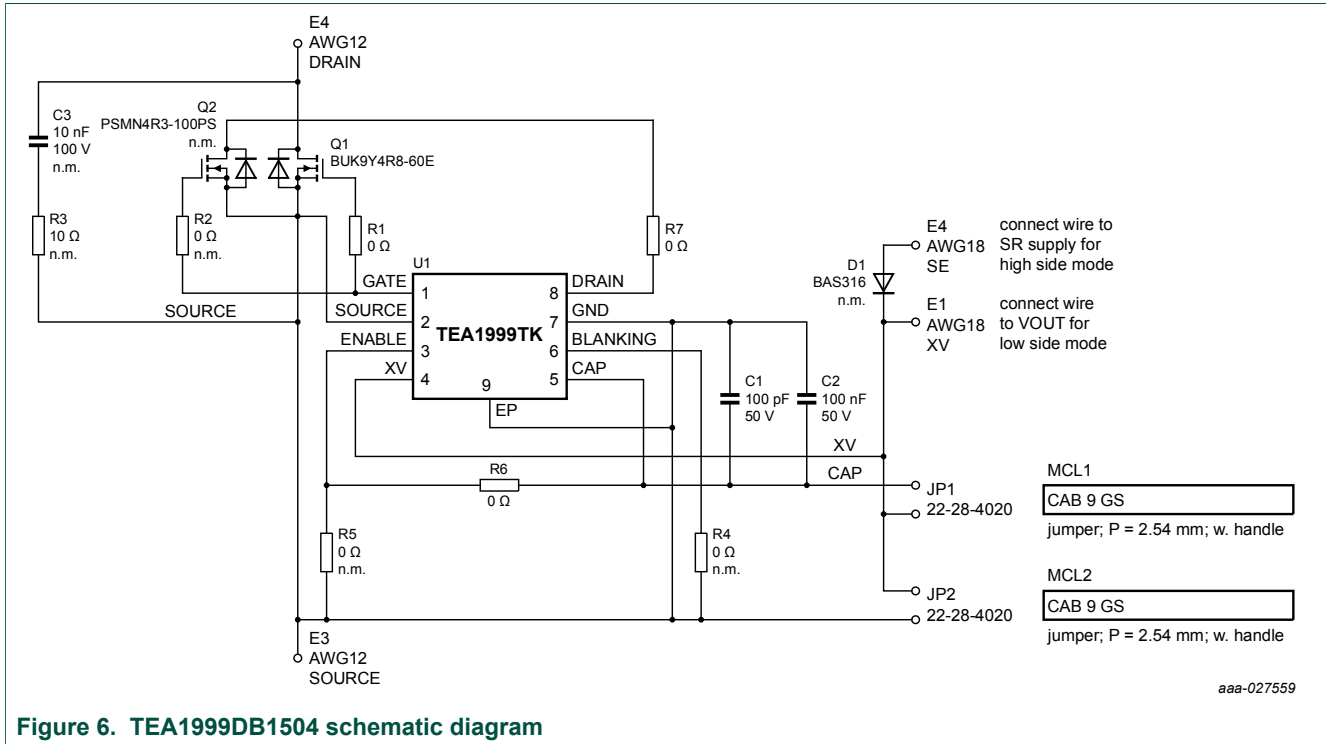


Figure 6. TEA1999DB1504 schematic diagram

Figure 6 shows the schematic diagram of the TEA1999DB1504 demo board. The board incorporates the TEA1999TK controller and a 60 V logic-level power MOSFET. To facilitate easy connection for low-side, high-side, or self-supply applications, some adjustments have been made to the board:

- The ENABLE pin is connected to the CAP pin by default
- The BLANKING pin is left open. However, it has an internal pull-up to the CAP pin
- By default, a 60 V logic level MOSFET is mounted. For applications with an output voltage > 12 V, use a MOSFET type with a higher V_{ds} capability (use a rating of approximately $5 * V_{out}$)
- By default, jumpers JP1 and JP2 are not mounted (only to be used for high-side applications)

By default, the LFPK MOSFET Q1 is mounted with a 0 Ω gate resistor (R1). It is also possible to mount a TO220 MOSFET Q2 with gate resistor R2. Capacitors C1 and C2 are decoupling capacitors for the V_{CC} of the TEA1999TK. Connect these capacitors close to the IC.

To ensure sufficient charge power to drive the external MOSFET during the secondary stroke, a value of 100 nF is used for capacitor C2. When a MOSFET with a higher value, which requires much more gate charge, is used, it can be necessary to increase this value for stable operation. To prevent unwanted oscillation of the V_{CC} supply, capacitor C1 is added.

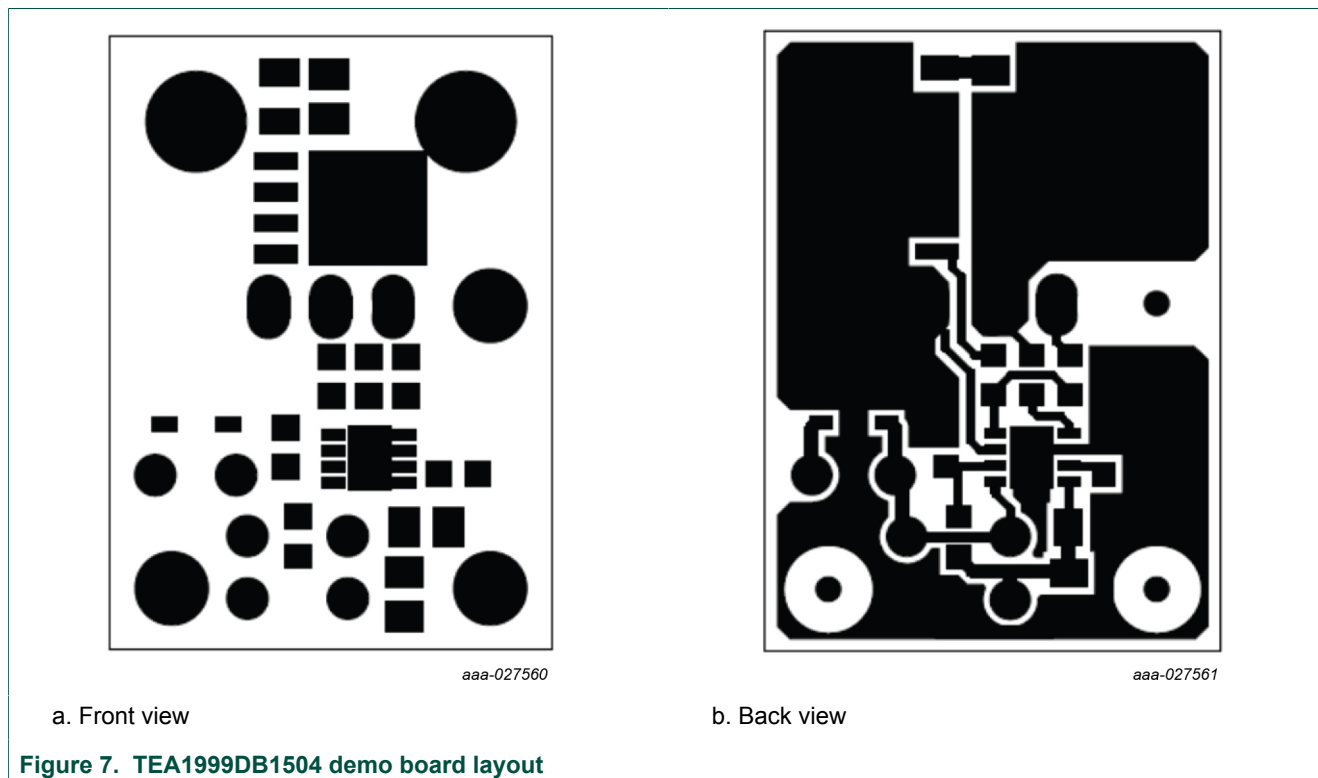
A provision is made for snubber R3/C3. The components are not mounted. However, if high-voltage spikes occur on the drain-source connections of the MOSFETs, they can be added.

8 Bill Of Materials (BOM)

Table 2. TEA1999DB1504 demo board bill of materials

Reference	Description and values	Part number	Manufacturer
C1	capacitor; 100 pF; 10 %; 50 V; COG; 0805	-	-
C2	capacitor; 100 nF; 10 %; 50 V; X7R; 0805	-	-
C3	capacitor; not mounted; 10 nF; 10 %; 100 V; X7R; 0805	-	-
D1	diode; not mounted; 100 V; 250 mA	BAS316	NXP Semiconductors
E1; E4	wire hole; AWG18; 1 mm	-	-
E2; E3	wire hole; AWG12; 2 mm	-	-
JP1; JP2	header; straight; 1 x 2-way; 2.54 mm	22-28-4020	Molex
MCL1; MCL2	jumper; P = 2.54 mm; without handle	CAB 9 GS	FISCHER
Q1	MOSFET-N; 60 V; 100 A	BUK9Y4R8-60E	NXP Semiconductors
Q2	MOSFET-N; not mounted; 100 V; 120 A	PSMN4R3-100PS	NXP Semiconductors
R1; R6; R7	resistor; 0 Ω ; jumper; 63 mW; 0603	-	-
R2; R4; R5	resistor; not mounted; 0 Ω ; jumper; 63 mW; 0603	-	-
R3	resistor; not mounted; 10 Ω ; 1 %; 100 mW; 0805	-	-
U1	synchronous rectifier controller; TEA1999TK	TEA1999TK	NXP Semiconductors

9 Layout



Some important guidelines for a good layout:

- Keep the trace from the DRAIN pin to the MOSFET drain as short as possible.
- Keep the trace from the SOURCE pin to the MOSFET source as short as possible.
- Keep the area of the loop from the DRAIN pin to the MOSFET drain, to the MOSFET source, and to the SOURCE pin as small as possible. Ensure that the overlap of this loop over the power drain track or the power source track is as small as possible. Take care that the two loops do not cross each other.
- Keep the track from the GATE pin to the gate of the MOSFET as short as possible.
- Use separate clean tracks for the XV and the GND pins. If possible, use a small ground plane underneath the IC, which improves the heat dispersion.

10 Abbreviations

Table 3. Abbreviations

Acronym	Description
CCM	Continuous Conduction Mode
MOSFET	Metal-Oxide-Semiconductor Field-Effect Transistor
SR	Synchronous Rectifier
UVLO	UnderVoltage LockOut
IC	Integrated Circuit
USB BC	Universal Serial Bus Battery Charging

11 Legal information

11.1 Definitions

Draft — The document is a draft version only. The content is still under internal review and subject to formal approval, which may result in modifications or additions. NXP Semiconductors does not give any representations or warranties as to the accuracy or completeness of information included herein and shall have no liability for the consequences of use of such information.

11.2 Disclaimers

Limited warranty and liability — Information in this document is believed to be accurate and reliable. However, NXP Semiconductors does not give any representations or warranties, expressed or implied, as to the accuracy or completeness of such information and shall have no liability for the consequences of use of such information. NXP Semiconductors takes no responsibility for the content in this document if provided by an information source outside of NXP Semiconductors. In no event shall NXP Semiconductors be liable for any indirect, incidental, punitive, special or consequential damages (including - without limitation - lost profits, lost savings, business interruption, costs related to the removal or replacement of any products or rework charges) whether or not such damages are based on tort (including negligence), warranty, breach of contract or any other legal theory. Notwithstanding any damages that customer might incur for any reason whatsoever, NXP Semiconductors' aggregate and cumulative liability towards customer for the products described herein shall be limited in accordance with the Terms and conditions of commercial sale of NXP Semiconductors.

Right to make changes — NXP Semiconductors reserves the right to make changes to information published in this document, including without limitation specifications and product descriptions, at any time and without notice. This document supersedes and replaces all information supplied prior to the publication hereof.

Suitability for use — NXP Semiconductors products are not designed, authorized or warranted to be suitable for use in life support, life-critical or safety-critical systems or equipment, nor in applications where failure or malfunction of an NXP Semiconductors product can reasonably be expected to result in personal injury, death or severe property or environmental damage. NXP Semiconductors and its suppliers accept no liability for inclusion and/or use of NXP Semiconductors products in such equipment or applications and therefore such inclusion and/or use is at the customer's own risk.

Applications — Applications that are described herein for any of these products are for illustrative purposes only. NXP Semiconductors makes no representation or warranty that such applications will be suitable for the specified use without further testing or modification. Customers are responsible for the design and operation of their applications and products using NXP Semiconductors products, and NXP Semiconductors accepts no liability for any assistance with applications or customer product

design. It is customer's sole responsibility to determine whether the NXP Semiconductors product is suitable and fit for the customer's applications and products planned, as well as for the planned application and use of customer's third party customer(s). Customers should provide appropriate design and operating safeguards to minimize the risks associated with their applications and products. NXP Semiconductors does not accept any liability related to any default, damage, costs or problem which is based on any weakness or default in the customer's applications or products, or the application or use by customer's third party customer(s). Customer is responsible for doing all necessary testing for the customer's applications and products using NXP Semiconductors products in order to avoid a default of the applications and the products or of the application or use by customer's third party customer(s). NXP does not accept any liability in this respect.

Export control — This document as well as the item(s) described herein may be subject to export control regulations. Export might require a prior authorization from competent authorities.

Evaluation products — This product is provided on an "as is" and "with all faults" basis for evaluation purposes only. NXP Semiconductors, its affiliates and their suppliers expressly disclaim all warranties, whether express, implied or statutory, including but not limited to the implied warranties of non-infringement, merchantability and fitness for a particular purpose. The entire risk as to the quality, or arising out of the use or performance, of this product remains with customer. In no event shall NXP Semiconductors, its affiliates or their suppliers be liable to customer for any special, indirect, consequential, punitive or incidental damages (including without limitation damages for loss of business, business interruption, loss of use, loss of data or information, and the like) arising out of the use of or inability to use the product, whether or not based on tort (including negligence), strict liability, breach of contract, breach of warranty or any other theory, even if advised of the possibility of such damages. Notwithstanding any damages that customer might incur for any reason whatsoever (including without limitation, all damages referenced above and all direct or general damages), the entire liability of NXP Semiconductors, its affiliates and their suppliers and customer's exclusive remedy for all of the foregoing shall be limited to actual damages incurred by customer based on reasonable reliance up to the greater of the amount actually paid by customer for the product or five dollars (US\$5.00). The foregoing limitations, exclusions and disclaimers shall apply to the maximum extent permitted by applicable law, even if any remedy fails of its essential purpose.

Translations — A non-English (translated) version of a document is for reference only. The English version shall prevail in case of any discrepancy between the translated and English versions.

11.3 Trademarks

Notice: All referenced brands, product names, service names and trademarks are the property of their respective owners.

GreenChip — is a trademark of NXP B.V.

Contents

1	Introduction	3
2	Safety warning	3
3	Specifications	3
4	TEA1999TK SR controller	4
4.1	Features	4
4.2	Pinning	4
5	Board photographs	5
6	Board connections	6
6.1	Connections for low-side SR	6
6.2	Connections for high-side SR with self- supply	7
7	Schematic	8
8	Bill Of Materials (BOM)	9
9	Layout	10
10	Abbreviations	11
11	Legal information	12

Please be aware that important notices concerning this document and the product(s) described herein, have been included in section 'Legal information'.

© NXP B.V. 2018.

All rights reserved.

For more information, please visit: <http://www.nxp.com>

For sales office addresses, please send an email to: salesaddresses@nxp.com

Date of release: 20 February 2018
Document identifier: UM11062

Компания «Океан Электроники» предлагает заключение долгосрочных отношений при поставках импортных электронных компонентов на взаимовыгодных условиях!

Наши преимущества:

- Поставка оригинальных импортных электронных компонентов напрямую с производств Америки, Европы и Азии, а так же с крупнейших складов мира;
- Широкая линейка поставок активных и пассивных импортных электронных компонентов (более 30 млн. наименований);
- Поставка сложных, дефицитных, либо снятых с производства позиций;
- Оперативные сроки поставки под заказ (от 5 рабочих дней);
- Экспресс доставка в любую точку России;
- Помощь Конструкторского Отдела и консультации квалифицированных инженеров;
- Техническая поддержка проекта, помощь в подборе аналогов, поставка прототипов;
- Поставка электронных компонентов под контролем ВП;
- Система менеджмента качества сертифицирована по Международному стандарту ISO 9001;
- При необходимости вся продукция военного и аэрокосмического назначения проходит испытания и сертификацию в лаборатории (по согласованию с заказчиком);
- Поставка специализированных компонентов военного и аэрокосмического уровня качества (Xilinx, Altera, Analog Devices, Intersil, Interpoint, Microsemi, Actel, Aeroflex, Peregrine, VPT, Syfer, Eurofarad, Texas Instruments, MS Kennedy, Miteq, Cobham, E2V, MA-COM, Hittite, Mini-Circuits, General Dynamics и др.);

Компания «Океан Электроники» является официальным дистрибьютором и эксклюзивным представителем в России одного из крупнейших производителей разъемов военного и аэрокосмического назначения «JONHON», а так же официальным дистрибьютором и эксклюзивным представителем в России производителя высокотехнологичных и надежных решений для передачи СВЧ сигналов «FORSTAR».



JONHON

«JONHON» (основан в 1970 г.)

Разъемы специального, военного и аэрокосмического назначения:

(Применяются в военной, авиационной, аэрокосмической, морской, железнодорожной, горно- и нефтедобывающей отраслях промышленности)

«FORSTAR» (основан в 1998 г.)

ВЧ соединители, коаксиальные кабели, кабельные сборки и микроволновые компоненты:

(Применяются в телекоммуникациях гражданского и специального назначения, в средствах связи, РЛС, а так же военной, авиационной и аэрокосмической отраслях промышленности).



Телефон: 8 (812) 309-75-97 (многоканальный)

Факс: 8 (812) 320-03-32

Электронная почта: ocean@oceanchips.ru

Web: <http://oceanchips.ru/>

Адрес: 198099, г. Санкт-Петербург, ул. Калинина, д. 2, корп. 4, лит. А