

4

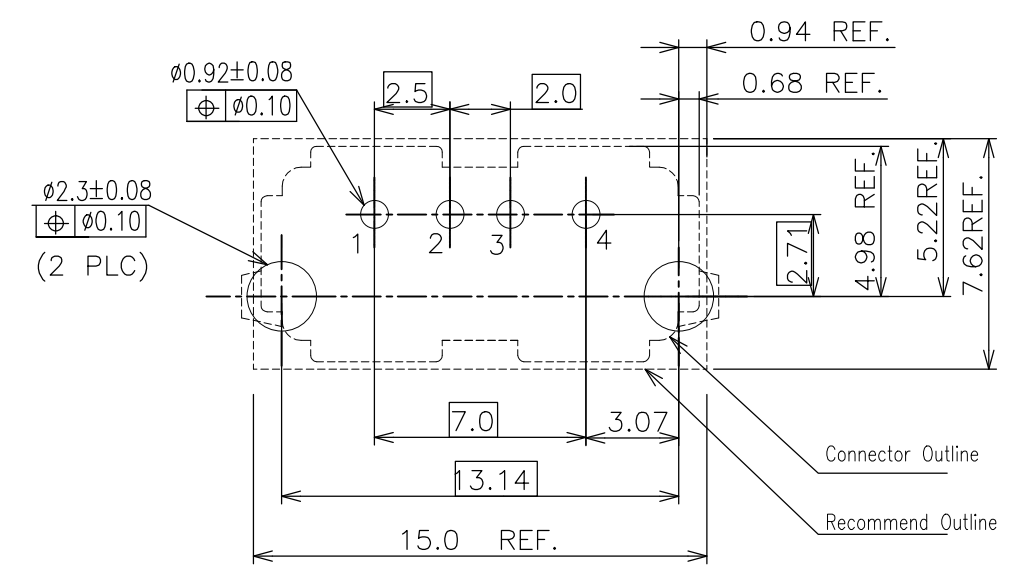
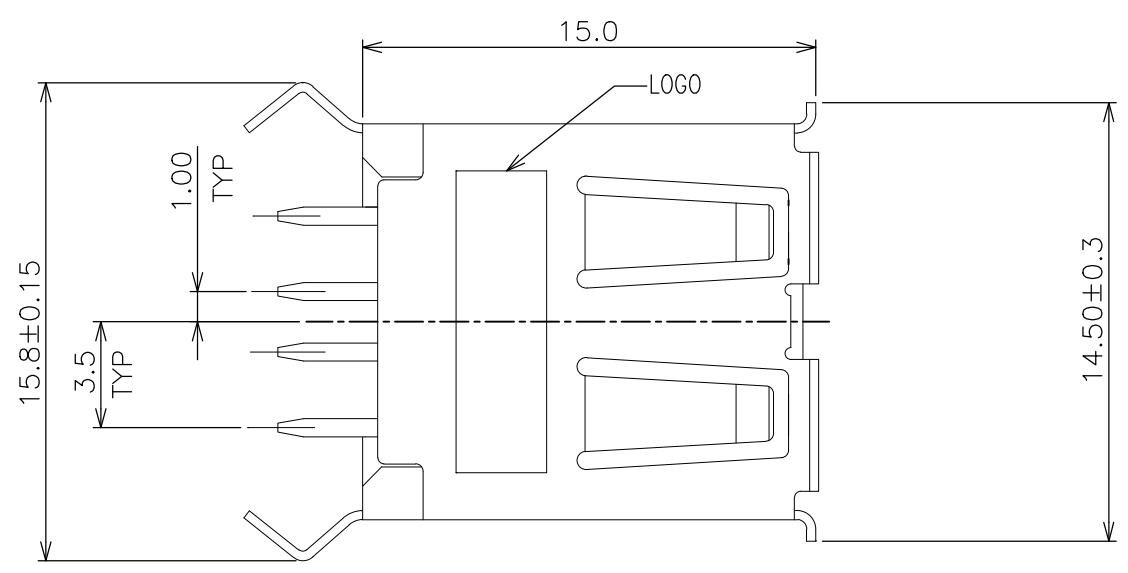
3

2

1

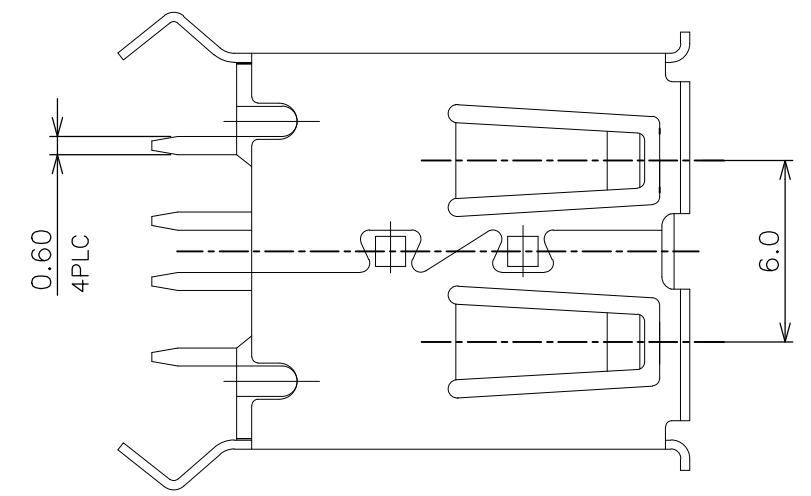
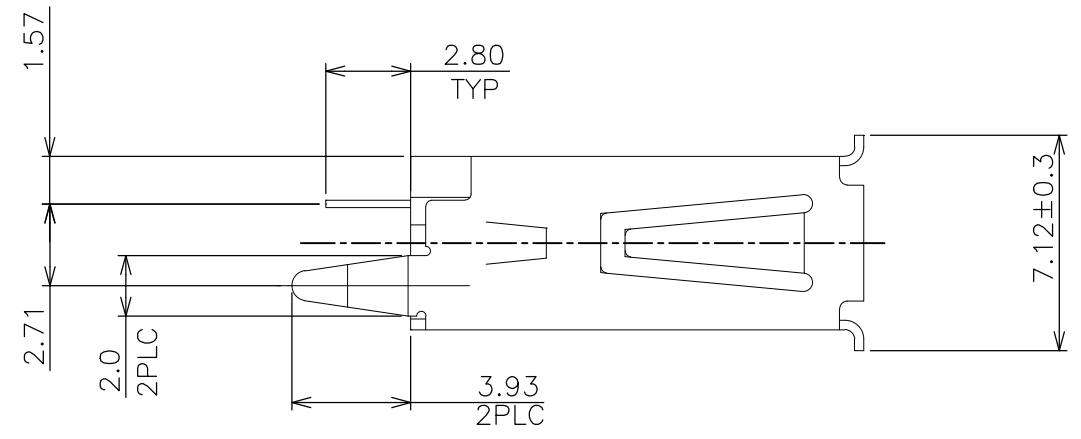
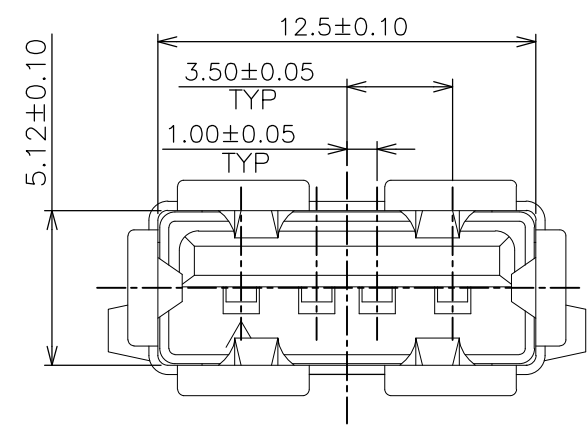
THIS DRAWING IS UNPUBLISHED. RELEASED FOR PUBLICATION
 © COPYRIGHT BY TYCO ELECTRONICS CORPORATION. ALL RIGHTS RESERVED.

| | | | | | |
|-----------|-----------|-------------------------|--------|-----|------|
| LOC DW | DIST / | REVISIONS | | | |
| P | LTR | DESCRIPTION | DATE | DWN | APVD |
| | C5 | REVISED PER E-17-008108 | 6JUN17 | A.X | H.W |



RECOMMENDED P.C. BOARD LAYOUT (T=1.6)
(TOP VIEW) (TOLERANCE: ±0.05)

- NOTE:
- MATERIAL:
 - HOUSING: PBT (SOLDER CAPABLE, UL 94-V0, COLOR: SEE TABLE.)
 - HOUSING: PA9T (REFLOW CAPABLE, UL 94-V0, COLOR: SEE TABLE.)
 - CAP: LCP (REFLOW CAPABLE, UL 94-V0, COLOR: BLACK.)
 - BACK STOPPER: PBT (SOLDER CAPABLE, UL 94-V0, COLOR: BLACK.)
 - CONTACT: PHOSPHOR BRONZE, THICKNESS = 0.25mm.
 - SHIELD: BRASS, THICKNESS = 0.30mm.
 - FINISH:
 - CONTACT: GOLD FLASH OVER
 - 0.762um [30u"] MIN. PALLADIUM-NICKEL PLATED ON CONTACT
 - 2.54um [100u"] MIN. MATTE-TIN ON SOLDER TAILS,
 - 1.27um [50u"] MIN. NICKEL UNDERPLATED ALL OVER.
 - SHIELD: 2.54um [100u"] MIN. TIN PLATED OVER
 - 1.27um [50u"] MIN. NICKEL UNDERPLATED
 - SHIELD: 0.762-2.03um [30-80u"] SOLDERABLE NICKEL OVER 0.762-2.03um [30-80u"] COPPER



| | | | | |
|-------------|-------------|-------------|------------------|---------------|
| SEE SHEET 4 | BLACK | 1734366-5 | △ | △ |
| SEE SHEET 5 | BLACK | 1734366-4 | △ | △ |
| | BLUE | 1734366-3 | | |
| SEE SHEET 4 | WHITE | 1734366-2 | △ | △ |
| | BLACK | 1734366-1 | | |
| PACKING | HSG'S COLOR | PART NUMBER | HOUSING MATERIAL | SHIELD FINISH |

| | | | | |
|------------------------------------------------------------------------------------------------|--|-------------------------------|---------------------------------------------------------|--------------------|
| THIS DRAWING IS A CONTROLLED DOCUMENT. | | DWN S. CHIEN 19SEP2008 | TE Connectivity | |
| DIMENSIONS: mm | | CHK S. CHIEN 19SEP2008 | | |
| TOLERANCES UNLESS OTHERWISE SPECIFIED: | | APVD W.KODAMA 19SEP2008 | NAME | |
| 0 PLC ± 0.38 1 PLC ± 0.25 2 PLC ± 0.13 3 PLC ± 0.05 ANGLES ± 2° FINISH SEE NOTE | | PRODUCT SPEC 108-57547 | RECEPT ASSY, VERTICAL, 4 POSITION THRU-HOLE, TYPE A USB | |
| MATERIAL SEE NOTE | | APPLICATION SPEC 501-57635 | SIZE A3 | CAGE CODE 00779 |
| | | WEIGHT 1.82 GRAMS | DRAWING NO C=1734366 | RESTRICTED TO |
| | | CUSTOMER DRAWING | SCALE - | SHEET 1 OF 6 |
| | | | | REV C5 |

4

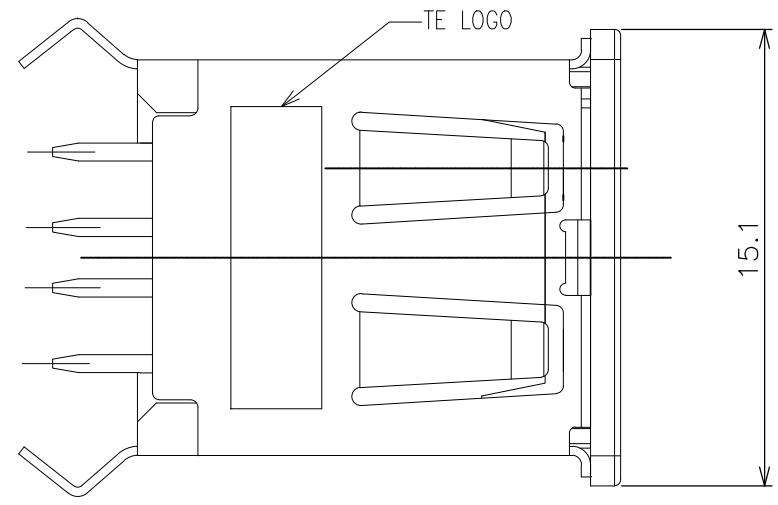
3

2

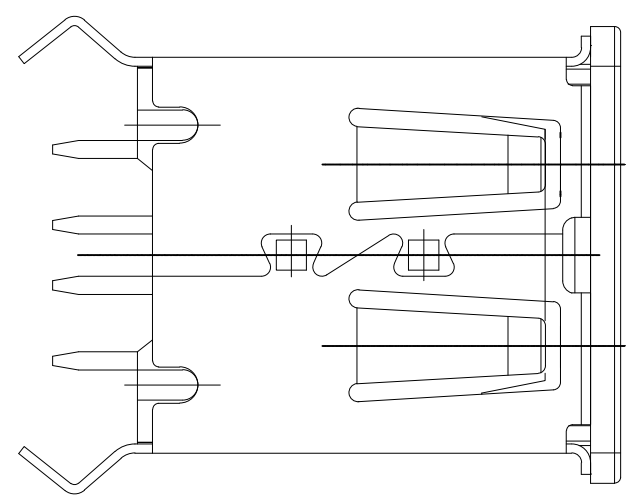
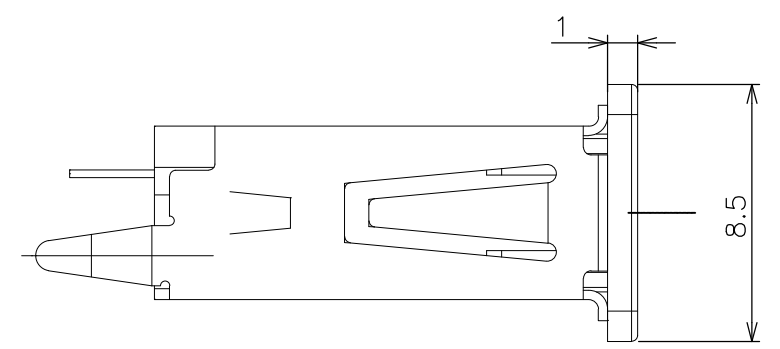
1

THIS DRAWING IS UNPUBLISHED. RELEASED FOR PUBLICATION
 © COPYRIGHT BY TYCO ELECTRONICS CORPORATION. ALL RIGHTS RESERVED.

| LOC | | DIST | | REVISIONS | | | | |
|-----|-----|-------------|--|-----------|------|-----|------|--|
| P | LTR | DESCRIPTION | | | DATE | DWN | APVD | |
| | | | | | | | | |



1734366-6 AS SHOW
 OTHER DIMENSIONS ARE THE SAME AS SHEET1



| | | | | |
|-------------|-------------|-------------|------------------|---------------|
| SEE SHEET 6 | BLACK | 1734366-6 | △ | △ |
| PACKING | HSG'S COLOR | PART NUMBER | HOUSING MATERIAL | SHIELD FINISH |

| THIS DRAWING IS A CONTROLLED DOCUMENT. | | DWN | | | | | | | | | | | | | | |
|-------------------------------------------------------------------------------------------------------------------------------------------------------------------------------------------------------------------------------------------------------------------------------------------------------------------------------------------------------------------------------------------------|--------|----------------------------------------|-----------------------------------------------------|-----------|------------|---------------|--------|-------|--------|-------|--------|-------|--------|-------------|--|--------|
| DIMENSIONS: mm | | CHK | | | | | | | | | | | | | | |
| | | APVD | | | | | | | | | | | | | | |
| <table border="1"> <thead> <tr> <th colspan="2">TOLERANCES UNLESS OTHERWISE SPECIFIED:</th> </tr> </thead> <tbody> <tr> <td>0 PLC</td> <td>± 0.38</td> </tr> <tr> <td>1 PLC</td> <td>± 0.25</td> </tr> <tr> <td>2 PLC</td> <td>± 0.13</td> </tr> <tr> <td>3 PLC</td> <td>± 0.05</td> </tr> <tr> <td colspan="2">ANGLES ± 2°</td> </tr> <tr> <td colspan="2">FINISH</td> </tr> </tbody> </table> | | TOLERANCES UNLESS OTHERWISE SPECIFIED: | | | | 0 PLC | ± 0.38 | 1 PLC | ± 0.25 | 2 PLC | ± 0.13 | 3 PLC | ± 0.05 | ANGLES ± 2° | | FINISH |
| TOLERANCES UNLESS OTHERWISE SPECIFIED: | | | | | | | | | | | | | | | | |
| 0 PLC | ± 0.38 | | | | | | | | | | | | | | | |
| 1 PLC | ± 0.25 | | | | | | | | | | | | | | | |
| 2 PLC | ± 0.13 | | | | | | | | | | | | | | | |
| 3 PLC | ± 0.05 | | | | | | | | | | | | | | | |
| ANGLES ± 2° | | | | | | | | | | | | | | | | |
| FINISH | | | | | | | | | | | | | | | | |
| MATERIAL | | PRODUCT SPEC | RECEPT ASSY,VERTICAL,4POSITION THRU-HOLE,TYPE A USB | | | | | | | | | | | | | |
| | | APPLICATION SPEC | SIZE | CAGE CODE | DRAWING NO | RESTRICTED TO | | | | | | | | | | |
| | | WEIGHT | A3 | 00779 | C=1734366 | | | | | | | | | | | |
| CUSTOMER DRAWING | | | SCALE | SHEET | REV | | | | | | | | | | | |
| | | | | 2 OF 6 | C5 | | | | | | | | | | | |

4

3

2

1

THIS DRAWING IS UNPUBLISHED.

RELEASED FOR PUBLICATION

© COPYRIGHT

BY TYCO ELECTRONICS CORPORATION.

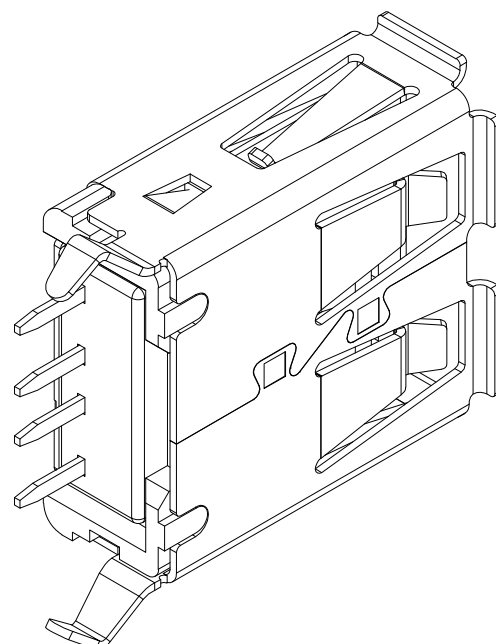
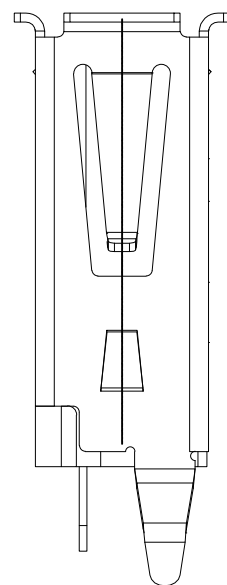
ALL RIGHTS RESERVED.

LOC
DW

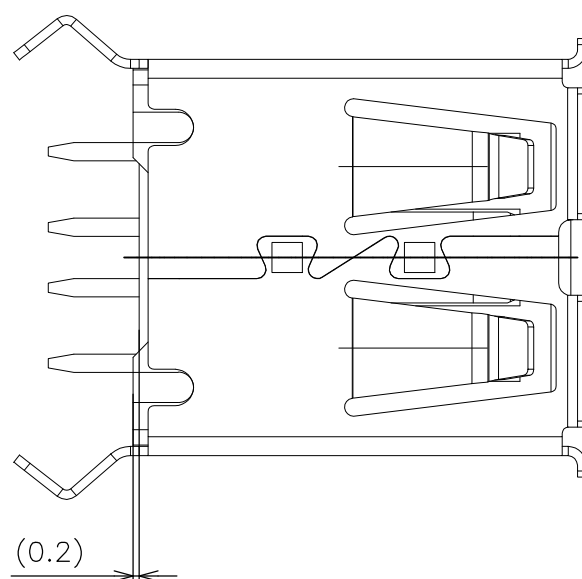
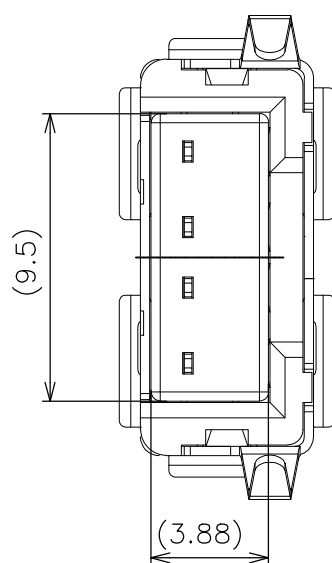
DIST
/

REVISIONS


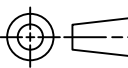
| P | LTR | DESCRIPTION | DATE | DWN | APVD |
|---|-----|-------------|------|-----|------|
| | | | | | |



1734366-7 AS SHOW
OTHER DIMENSIONS ARE THE SAME AS SHEET1

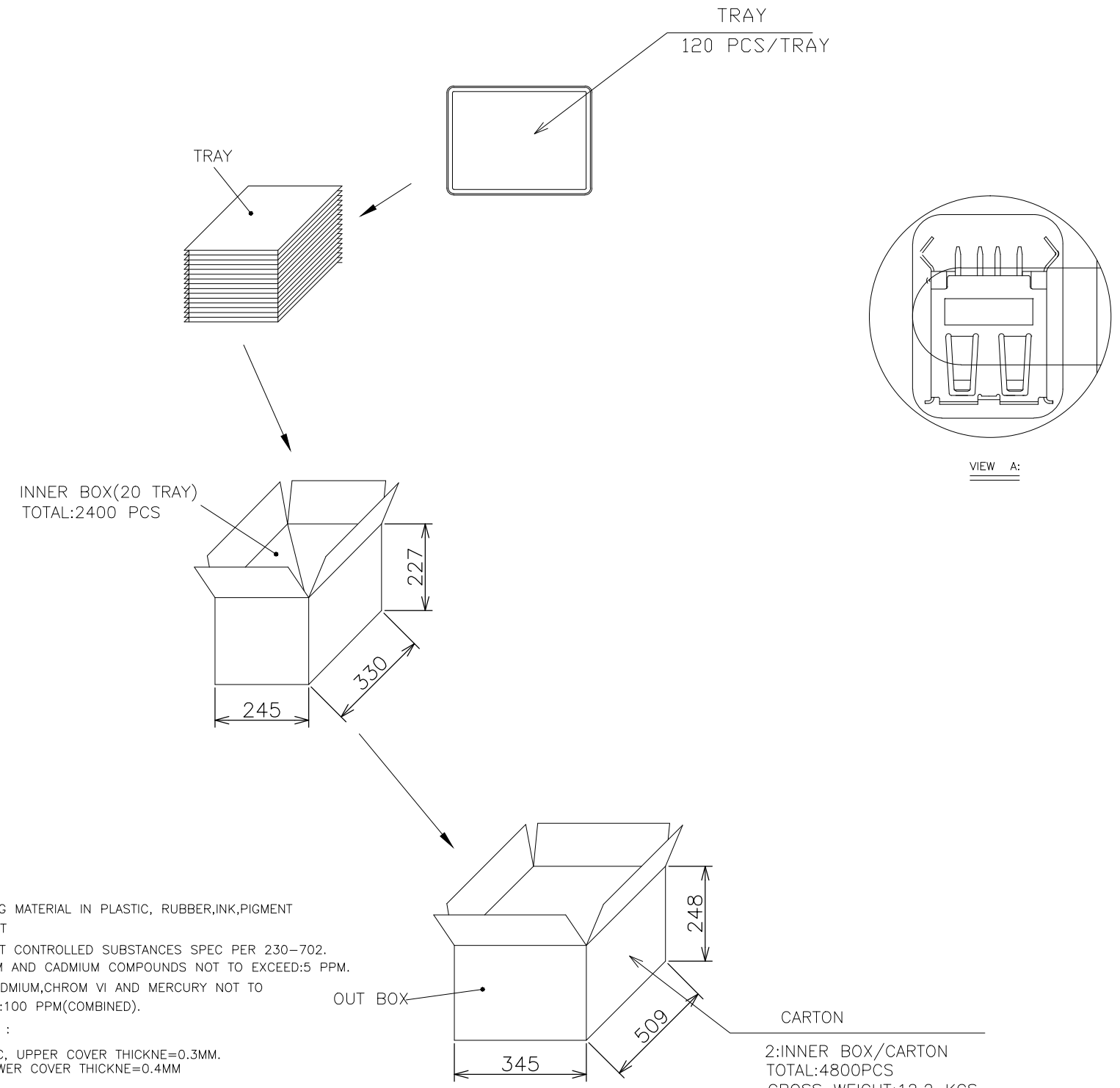


| | | | | |
|-------------|-------------|-------------|------------------|---------------|
| SEE SHEET 4 | BLACK | 1734366-7 | △ | △ |
| PACKING | HSG'S COLOR | PART NUMBER | HOUSING MATERIAL | SHIELD FINISH |

| | | | | | | | |
|---------------------------------------------------------------------------------------------------------------------------------------------|--|------------------|-------------------------------------------------------------------------------------------------------|-------|-----------|--------------------------------------------------------------|----|
| THIS DRAWING IS A CONTROLLED DOCUMENT. | | DWN |  TE Connectivity | | | | |
| DIMENSIONS: mm  | | CHK | | | | NAME RECEIPT ASSY,VERTICAL,4POSITION THRU-HOLE,TYPE A USB | |
| TOLERANCES UNLESS OTHERWISE SPECIFIED: 0 PLC ± 0.38 1 PLC ± 0.25 2 PLC ± 0.13 3 PLC ± 0.05 ANGLES ± 2° MATERIAL FINISH | | APVD | PRODUCT SPEC | SIZE | CAGE CODE | | |
| | | APPLICATION SPEC | WEIGHT | A3 | 00779 | C=1734366 | — |
| CUSTOMER DRAWING | | | SCALE | SHEET | 3 OF 6 | REV | C5 |

THIS DRAWING IS UNPUBLISHED. RELEASED FOR PUBLICATION
 © COPYRIGHT BY TYCO ELECTRONICS CORPORATION. ALL RIGHTS RESERVED.

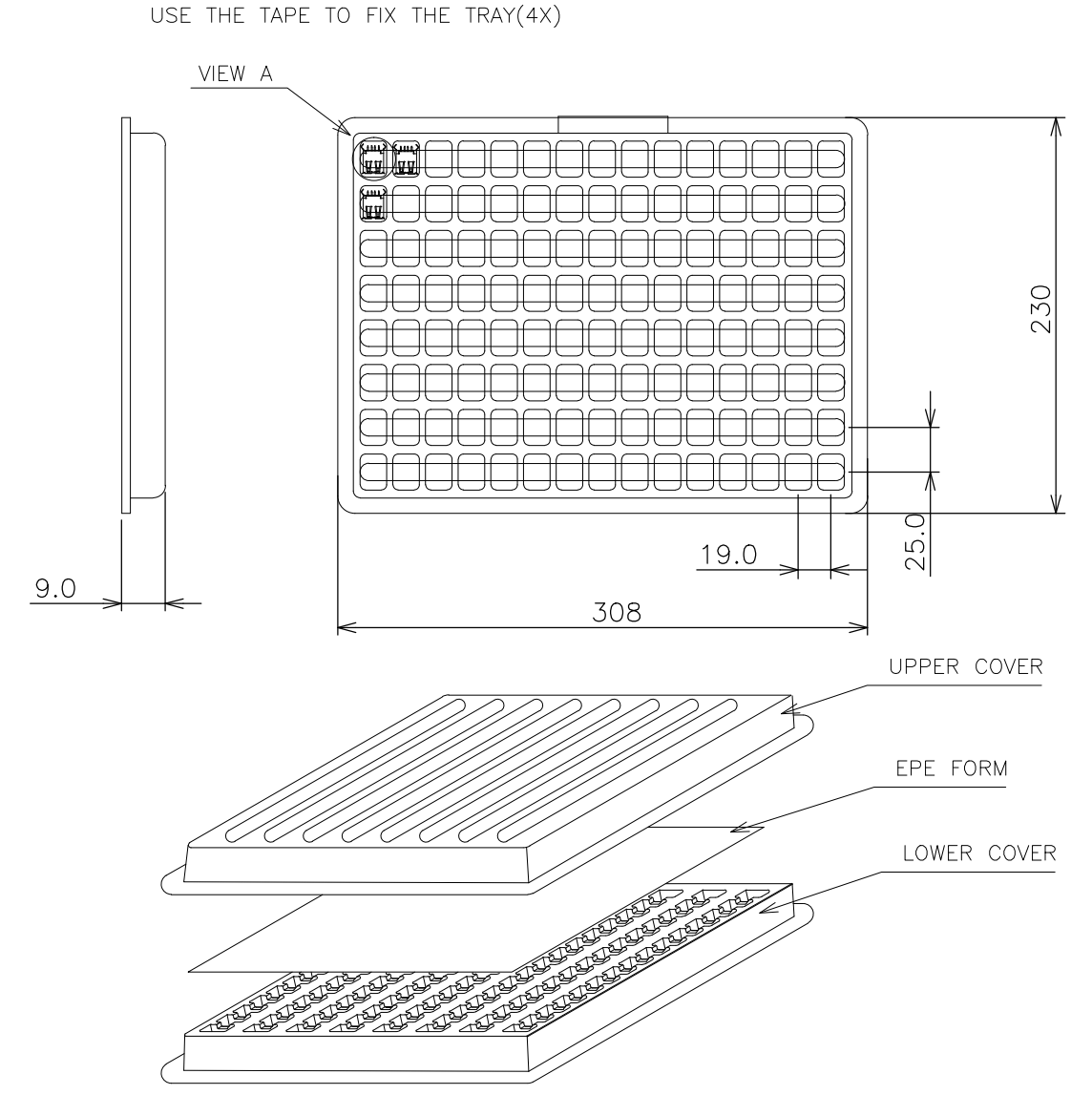
| LOC | DIST | REVISIONS | | | |
|-----|------|-------------|------|-----|------|
| P | LTR | DESCRIPTION | DATE | DWN | APVD |
| | | | | | |



NOTE :

- PACKAGING MATERIAL IN PLASTIC, RUBBER,INK,PIGMENT AND PAINT
 MUST MEET CONTROLLED SUBSTANCES SPEC PER 230-702.
 * CADMIUM AND CADMIUM COMPOUNDS NOT TO EXCEED:5 PPM.
 * LEAD,CADMIUM,CHROM VI AND MERCURY NOT TO EXCEED:100 PPM(COMBINED).
- MATERIAL :
 TRAY: PVC, UPPER COVER THICKNE=0.3MM.
 LOWER COVER THICKNE=0.4MM

2:INNER BOX/CARTON
 TOTAL:4800PCS
 GROSS WEIGHT:12.2 KGS
 NET WEIGHT:11.2 KGS



| | |
|------|-------------|
| 4800 | 1734366-7 |
| 4800 | 1734366-5 |
| 4800 | 1734366-2 |
| 4800 | 1734366-1 |
| QTY | PART NUMBER |

| | | | | | |
|----------------------------------------|--|------------------|--|------------------------------------------------------|---------------|
| THIS DRAWING IS A CONTROLLED DOCUMENT. | | DWN | | STE TE Connectivity | |
| DIMENSIONS: mm | | CHK | | | |
| TOLERANCES UNLESS OTHERWISE SPECIFIED: | | APVD | | NAME | |
| 0 PLC ± - | | PRODUCT SPEC | | RECEIPT ASSY,VERTICAL,4POSITION THRU-HOLE,TYPE A USB | |
| 1 PLC ± 0.3 | | APPLICATION SPEC | | | |
| 2 PLC ± 0.2 | | WEIGHT | | SIZE | CAGE CODE |
| 3 PLC ± 0.15 | | CUSTOMER DRAWING | | A3 | 00779 |
| 4 PLC ANGLES ± 3° | | SCALE | | DRAWING NO | RESTRICTED TO |
| MATERIAL | | SHEET | | C=1734366 | |
| FINISH | | 4 OF 6 | | REV | C5 |

4

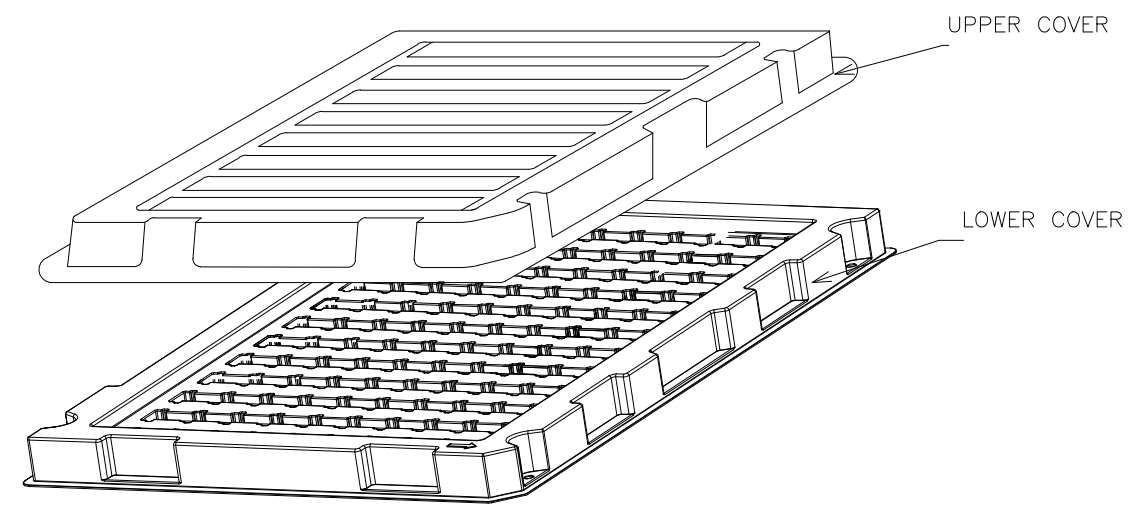
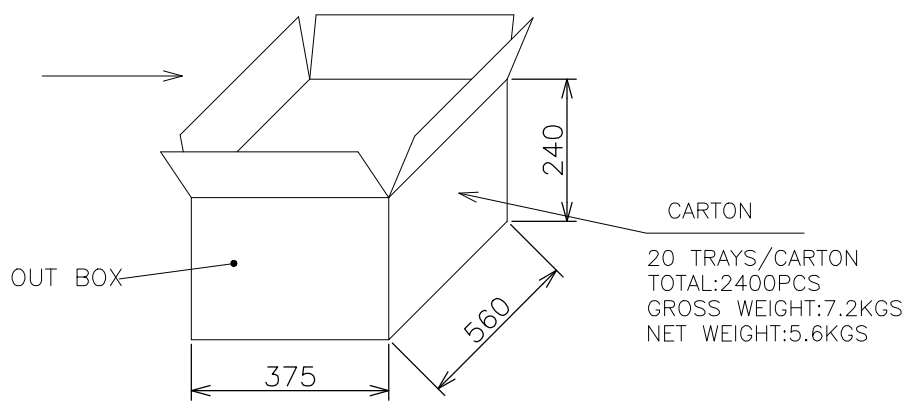
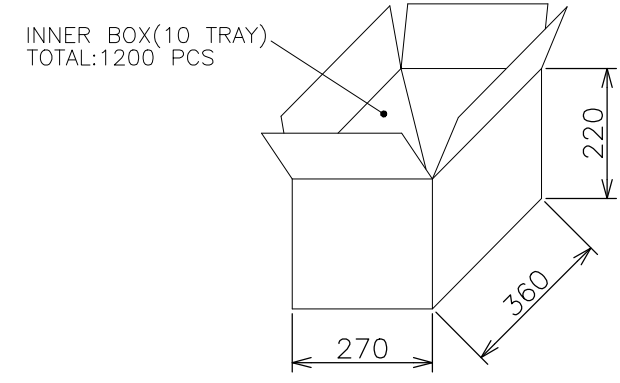
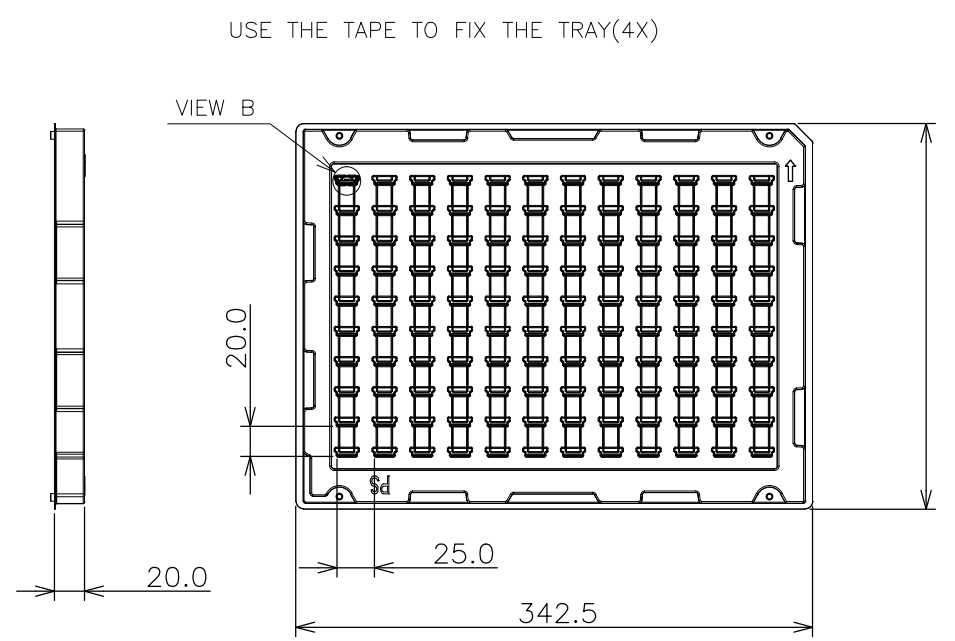
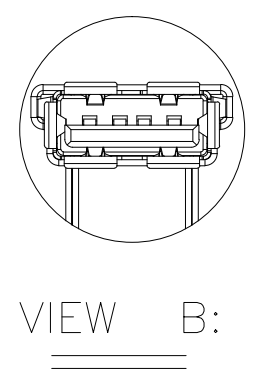
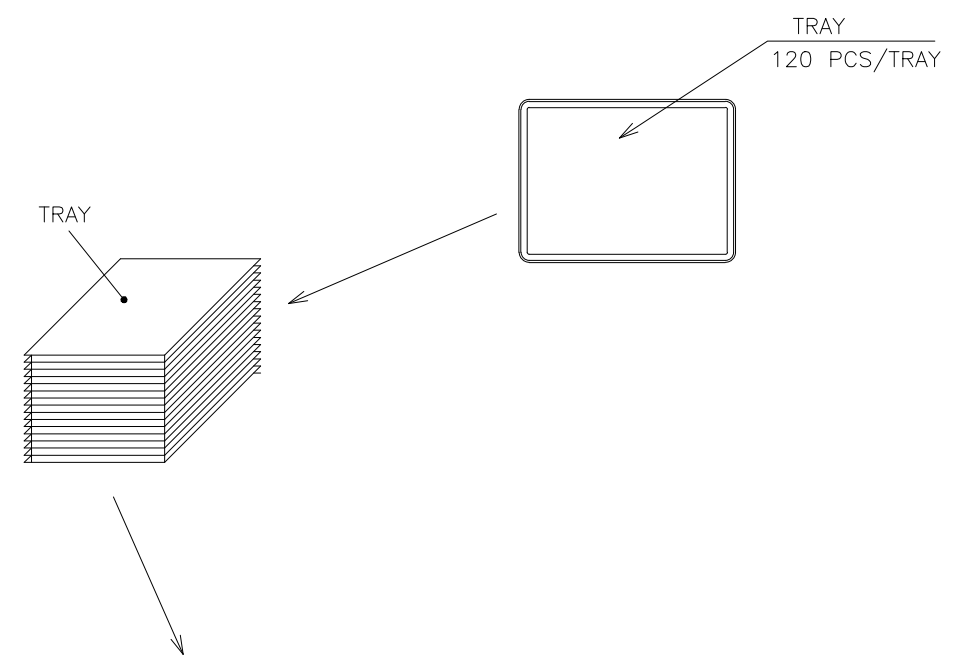
3

2

1

THIS DRAWING IS UNPUBLISHED. RELEASED FOR PUBLICATION
 © COPYRIGHT BY TYCO ELECTRONICS CORPORATION. ALL RIGHTS RESERVED.

| LOC | DIST | REVISIONS | | | |
|-----|------|-------------|------|-----|------|
| P | LTR | DESCRIPTION | DATE | DWN | APVD |
| DW | | | | | |



NOTE :
 1. PACKAGING MATERIAL IN PLASTIC, RUBBER,INK,PIGMENT AND PAINT MUST MEET CONTROLLED SUBSTANCES SPEC PER 230-702.
 * CADMIUM AND CADMIUM COMPOUNDS NOT TO EXCEED:5 PPM.
 * LEAD,CADMIUM,CHROM VI AND MERCURY NOT TO EXCEED:100 PPM(COMBINED).
 2. MATERIAL :
 TRAY: PS, UPPER COVER THICKNE=0.5MM. LOWER COVER THICKNE=0.7MM

| | |
|------|-------------|
| 2400 | 1734366-4 |
| 2400 | 1734366-3 |
| QTY | PART NUMBER |

| | | | | | |
|----------------------------------------|--|------------------|------------------------------------------------------|-----------------------------------------|--------|
| THIS DRAWING IS A CONTROLLED DOCUMENT. | | DWN | TE Connectivity | | |
| DIMENSIONS: mm | | CHK | RECEIPT ASSY,VERTICAL,4POSITION THRU-HOLE,TYPE A USB | | |
| TOLERANCES UNLESS OTHERWISE SPECIFIED: | | APVD | NAME | SIZE CAGE CODE DRAWING NO RESTRICTED TO | |
| 0 PLC ± - | | PRODUCT SPEC | A3 00779 C=1734366 | | |
| 1 PLC ± 0.3 | | APPLICATION SPEC | SCALE | SHEET 5 of 6 | REV C5 |
| 2 PLC ± 0.2 | | WEIGHT | CUSTOMER DRAWING | | |
| 3 PLC ± 0.15 | | CUSTOMER DRAWING | | | |
| 4 PLC ANGLES ± 3' | | | | | |
| MATERIAL | | | | | |
| FINISH | | | | | |

4

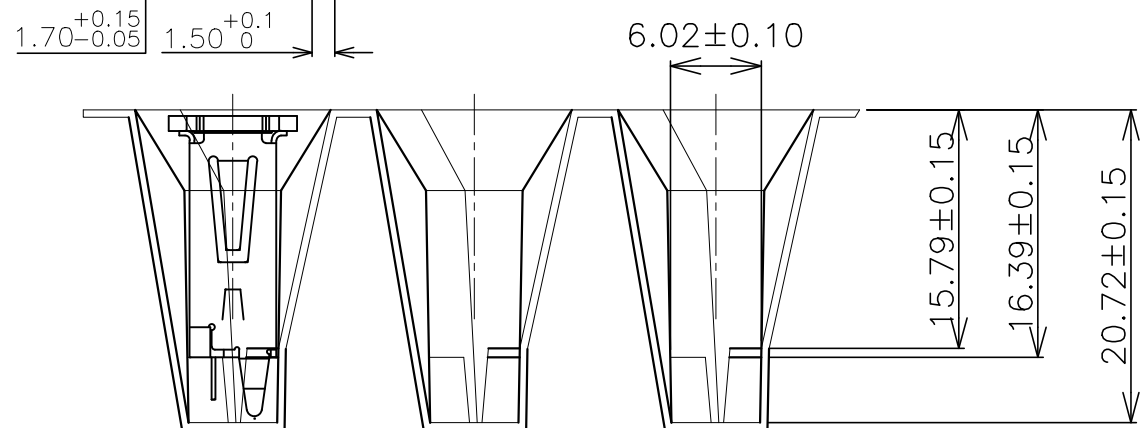
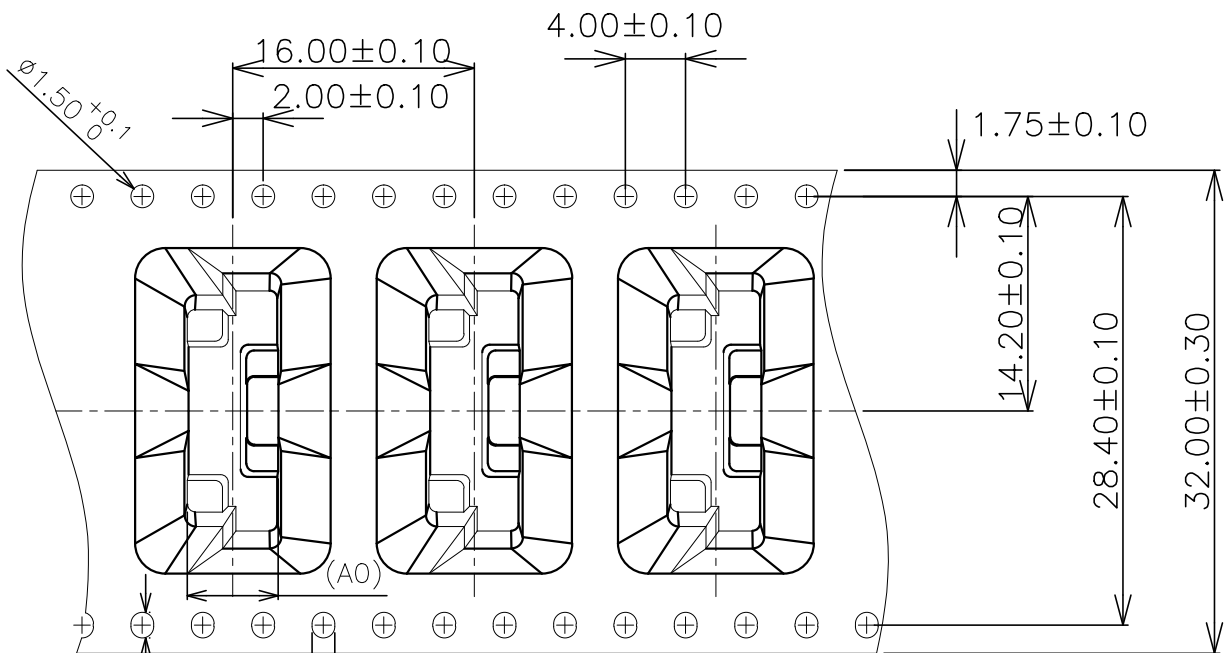
3

2

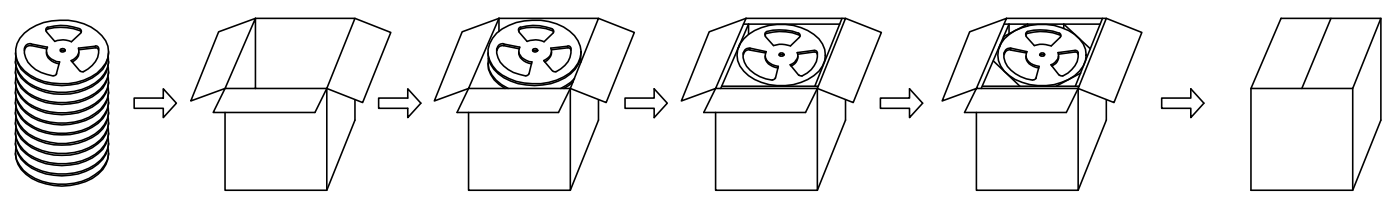
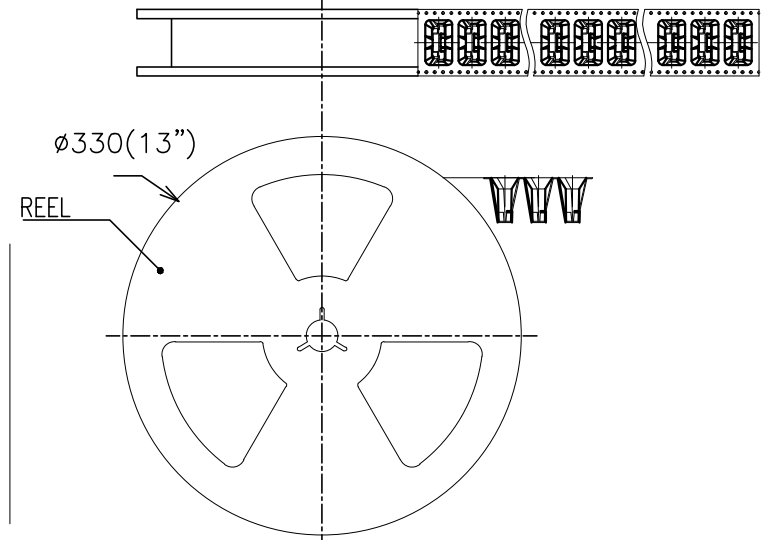
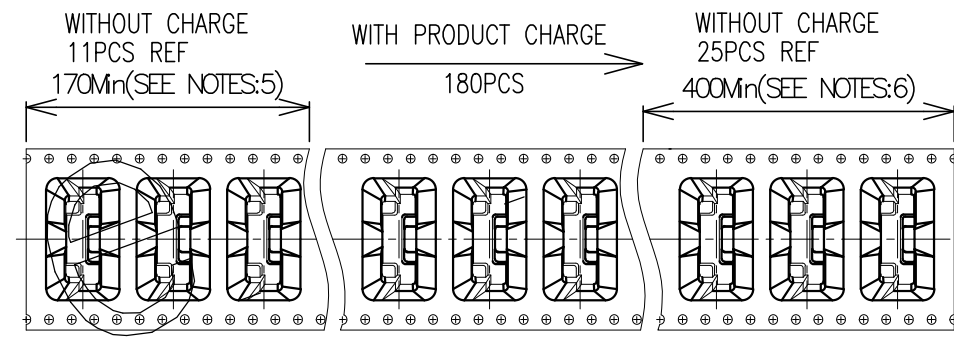
1

THIS DRAWING IS UNPUBLISHED. RELEASED FOR PUBLICATION
 © COPYRIGHT BY TYCO ELECTRONICS CORPORATION. ALL RIGHTS RESERVED.

| LOC | | DIST | | REVISIONS | | | |
|-----|-----|-------------|------|-----------|------|--|--|
| P | LTR | DESCRIPTION | DATE | DWN | APVD | | |
| | | | | | | | |



NOTE :
 1. PACKAGING MATERIAL IN PLASTIC, RUBBER, INK, PIGMENT AND PAINT
 MUST MEET CONTROLLED SUBSTANCES SPEC PER 230-702.
 * CADMIUM AND CADMIUM COMPOUNDS NOT TO EXCEED:5 PPM.
 * LEAD, CADMIUM, CHROM VI AND MERCURY NOT TO EXCEED:100 PPM (COMBINED).
 2. MATERIAL :
 REEL: BLACK CONDUCTIVE POLYSTYRENE ALLOY



OUT BOX PACKAGE DIAGRAM DRAWING

| | |
|------|-------------|
| 1440 | 1734366-6 |
| QTY | PART NUMBER |

| | | | | |
|----------------------------------------|--|------------------|----------------------------------------------------------|---------------|
| THIS DRAWING IS A CONTROLLED DOCUMENT. | | DWN | TE Connectivity | |
| DIMENSIONS: mm | | CHK | RECEIPT ASSY, VERTICAL, 4 POSITION THRU-HOLE, TYPE A USB | |
| TOLERANCES UNLESS OTHERWISE SPECIFIED: | | APVD | NAME | RESTRICTED TO |
| 0 PLC ± - | | PRODUCT SPEC | SIZE | CAGE CODE |
| 1 PLC ± 0.3 | | APPLICATION SPEC | A3 | 00779 |
| 2 PLC ± 0.2 | | WEIGHT | DRAWING NO C=1734366 | |
| 3 PLC ± 0.15 | | CUSTOMER DRAWING | SCALE | SHEET |
| 4 PLC ± - | | | - | 6 of 6 |
| ANGLES ± 3' | | | | REV C5 |
| MATERIAL | | | | |
| FINISH | | | | |

Компания «Океан Электроники» предлагает заключение долгосрочных отношений при поставках импортных электронных компонентов на взаимовыгодных условиях!

Наши преимущества:

- Поставка оригинальных импортных электронных компонентов напрямую с производств Америки, Европы и Азии, а так же с крупнейших складов мира;
- Широкая линейка поставок активных и пассивных импортных электронных компонентов (более 30 млн. наименований);
- Поставка сложных, дефицитных, либо снятых с производства позиций;
- Оперативные сроки поставки под заказ (от 5 рабочих дней);
- Экспресс доставка в любую точку России;
- Помощь Конструкторского Отдела и консультации квалифицированных инженеров;
- Техническая поддержка проекта, помощь в подборе аналогов, поставка прототипов;
- Поставка электронных компонентов под контролем ВП;
- Система менеджмента качества сертифицирована по Международному стандарту ISO 9001;
- При необходимости вся продукция военного и аэрокосмического назначения проходит испытания и сертификацию в лаборатории (по согласованию с заказчиком);
- Поставка специализированных компонентов военного и аэрокосмического уровня качества (Xilinx, Altera, Analog Devices, Intersil, Interpoint, Microsemi, Actel, Aeroflex, Peregrine, VPT, Syfer, Eurofarad, Texas Instruments, MS Kennedy, Miteq, Cobham, E2V, MA-COM, Hittite, Mini-Circuits, General Dynamics и др.);

Компания «Океан Электроники» является официальным дистрибьютором и эксклюзивным представителем в России одного из крупнейших производителей разъемов военного и аэрокосмического назначения «JONHON», а так же официальным дистрибьютором и эксклюзивным представителем в России производителя высокотехнологичных и надежных решений для передачи СВЧ сигналов «FORSTAR».



JONHON

«JONHON» (основан в 1970 г.)

Разъемы специального, военного и аэрокосмического назначения:

(Применяются в военной, авиационной, аэрокосмической, морской, железнодорожной, горно- и нефтедобывающей отраслях промышленности)

«FORSTAR» (основан в 1998 г.)

ВЧ соединители, коаксиальные кабели,
кабельные сборки и микроволновые компоненты:

(Применяются в телекоммуникациях гражданского и специального назначения, в средствах связи, РЛС, а так же военной, авиационной и аэрокосмической отраслях промышленности).



Телефон: 8 (812) 309-75-97 (многоканальный)

Факс: 8 (812) 320-03-32

Электронная почта: ocean@oceanchips.ru

Web: <http://oceanchips.ru/>

Адрес: 198099, г. Санкт-Петербург, ул. Калинина, д. 2, корп. 4, лит. А