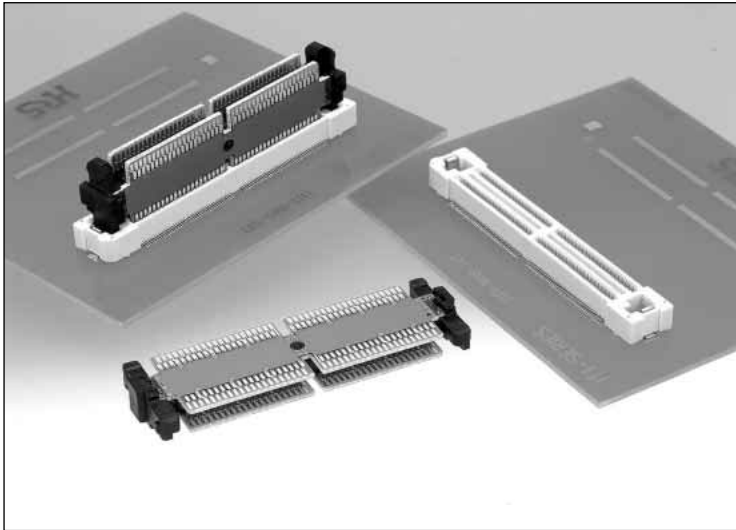


High Speed, Matched-Impedance, Parallel Board-to-board Connector

IT1 Series



IT1 Series Outline

High-speed matched-impedance parallel board-to-board connector designed for applications requiring board-to-board spacing with transmission speeds exceeding 1GHz. The connection system has matched impedance of 50 ohm or can be customized. Contacts are on 0.5mm pitch.

■ Features

1. Impedance Matching using a 4-Layer Board

The innovative transmission module uses PC boards with a strip line design of transmission lines, providing matched impedance of 50 ohms, for standard product.

2. Supports Multiple Connectors per board

Designed with a tolerance of +/- 0.2mm for both the X and Y-axis. The three-piece structure and the +/- 0.2mm tolerance allows 3 or more IT1's to be mounted on a single board.

3. Customized Board-to-Board Distance

Board-to-board distance can be customized, from 16mm to 40mm.

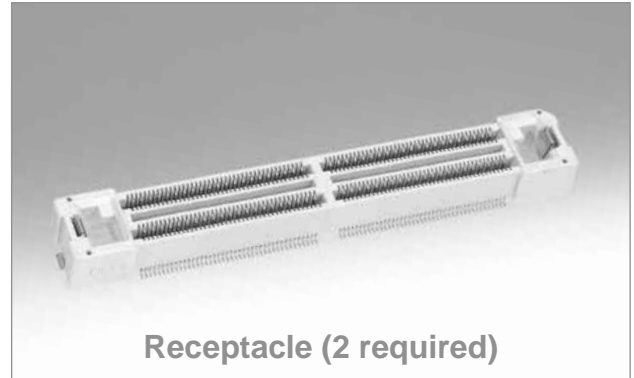
Ground lines or additional traces can be added to support high level, high speed transmission or mixed power/signal applications.

4. Signal to Ground Ratio

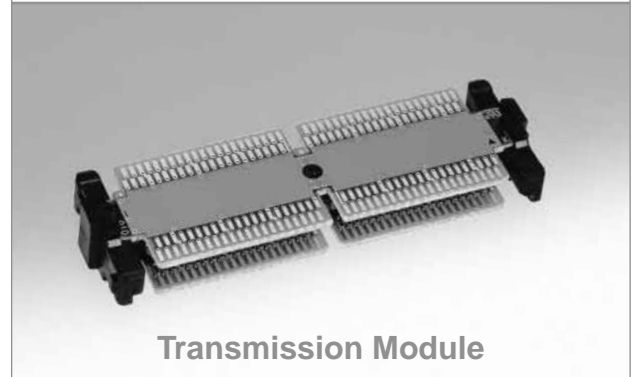
The standard signal-to-ground ratio is 10:2, which makes reliable matching of the characteristic impedance of each transmission line. This ratio also can be customized.

5. Contact Reliability

Use of double contact points on each of the contacts assures highly reliable performance.

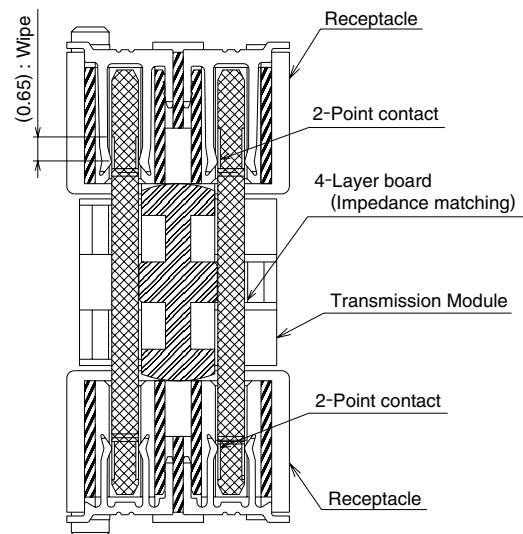


Receptacle (2 required)



Transmission Module

● Connection Cross-Sectional Diagram



■ Applications

Routers, servers, base stations and other telecommunication equipment.

■ Product Specifications

Rating	Current rating	0.4 A (Note 1)	Operation Temperature Range	-55°C to +85°C	Storage Temperature Range	-10°C to +60°C (Note 2)
	Voltage rating	50V AC	Operation Humidity Range	Relative humidity 95% max. (No condensation)	Storage Humidity Range	40% to 70% (Note 2)

Item	Specification	Conditions
1. Insulation resistance	100 M ohms min.	Measured at 100V DC
2. Withstanding voltage	No flashover or insulation breakdown	150 V AC/one minute
3. Contact resistance	100 m ohms max.	Measured at 100 mA
4. Vibration	No electrical discontinuity of 1 μs or more. No damage, cracks, or parts dislocation.	Frequency of 10 to 55 Hz, 0.75mm single amplitude, for 10 cycles in each of 3 directions
5. Shock	No electrical discontinuity of 1 μs. min. No damage, cracks, or parts dislocation	Acceleration of 490 m/s ² , 11 ms duration, sine half-wave waveform, 3 cycles in each of the 3 axis.
6. Humidity	Contact resistance: 110 m ohms max. Insulation resistance: 100 M ohms min. No damage, cracks, or parts dislocation	96 hours/40°C/ humidity of 90% to 95%
7. Temperature cycle	Contact resistance: 110 m ohms max. Insulation resistance: 100 M ohms min. No damage, cracks, or parts dislocation	Temperature: -55°C → +15°C to +35°C → +85°C → +15°C to +35°C Duration: 30 → 2 to 3 → 30 → 2 to 3 (Minutes) 5 cycles
8. Durability (insertion/ withdrawal)	Contact resistance: 110 m ohms max. No damage, cracks, or parts dislocation.	20 cycles
9. Resistance to Soldering Heat	No deformation of components affecting performance.	Reflow: At the recommended temperature profile Manual soldering: 350°C for 3 seconds

Note1: If the connector is going to be used at a current in excess of the 0.4 A, please contact your Sales Representative.

Note2: The term "storage" refers to products stored for long period of time prior to mounting and use. Operating Temperature Range and Humidity range covers non-conducting condition of installed connectors in storage, shipment or during transportation.

Note3: Information contained in this catalog represents general requirements for this Series. Contact us for the drawings and specifications for a specific part number shown.

■ Material

Receptacles

Part	Material	Finish	Remarks
Insulator	LCP	Color : Beige	UL94V-0
Contacts	Phosphor bronze	Gold plating	—
Metal fittings	Phosphor bronze	Tin plating	—

Transmission Module

Part	Material	Finish	Remarks
Insulator	PBT	Color : Black	UL94V-0
Board	FR-4	Contact portion : Gold plating	—

■ Ordering information

Receptacles

IT 1 # - * S - SV (* *)

① ② ③ ④ ⑤ ⑥

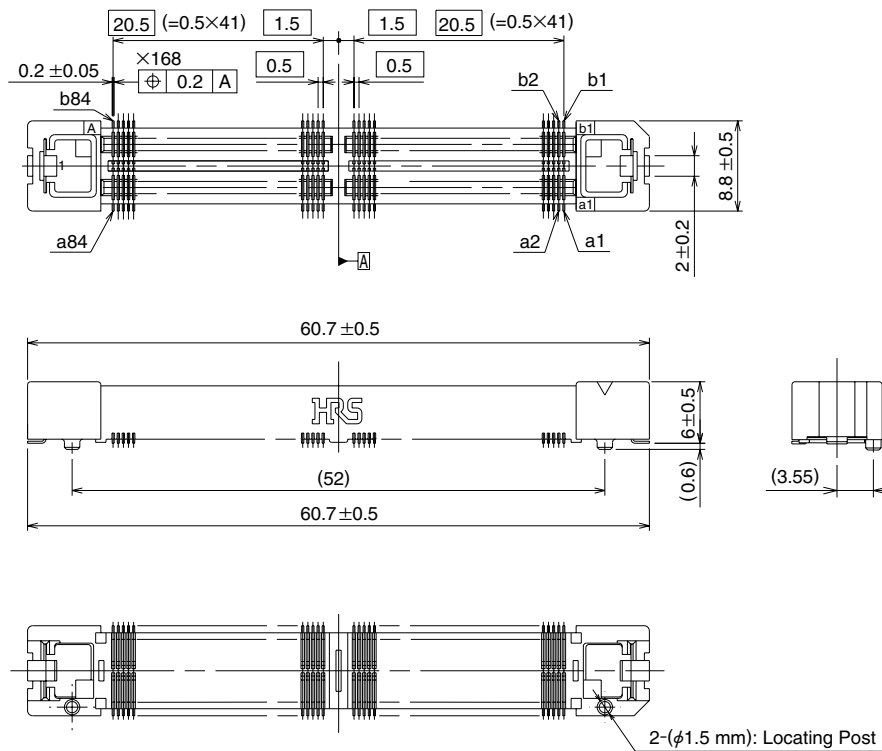
Transmission Module

IT 1 - * P / * - *H

① ③ ④ ⑦ ⑧

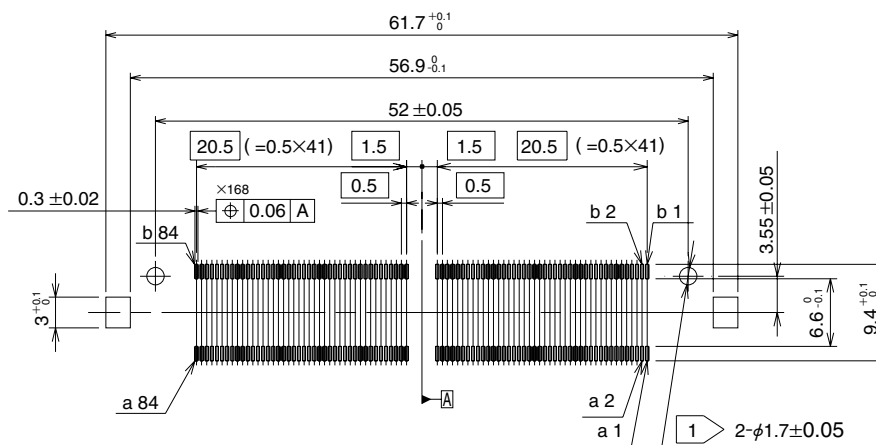
① Series name	: IT1	⑤ Lead	SV : Straight SMT
② Locating Post type Blank	: With Locating Post	⑥ Packaging	Blank : Tray (25) : Tray(connectors with attached tape for a vacuum board placement)
A	: Without Locating Post		
③ Number of contacts	: 168, 252	⑦ Number of ground contacts	: 28, 44
④ Connector	S : Receptacle Socket P : Transmission Plug Module	⑧ Board-to-board Distance:	19mm,23mm,30mm

Receptacles - 168 Contacts



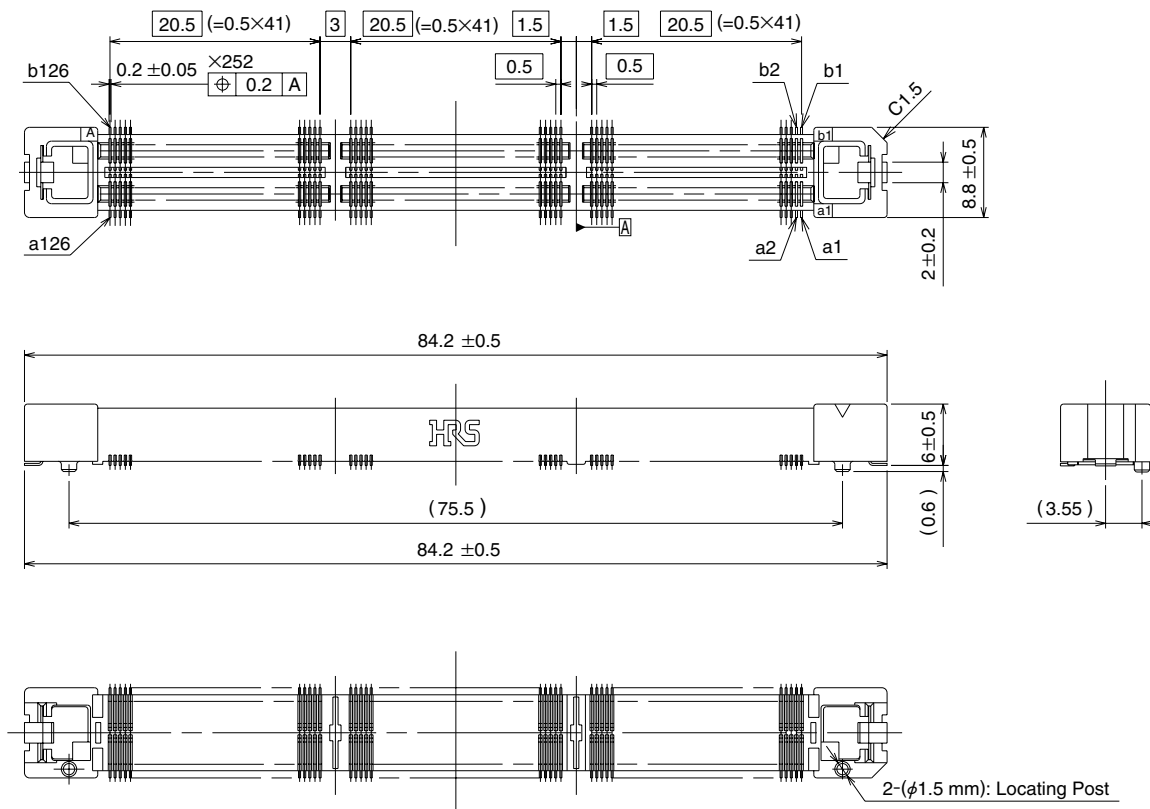
Part Number	CL No.	Locating Post Type	RoHS
IT1-168S-SV	641-0002-0	With Locating Post	YES
IT1A-168S-SV	641-0012-4	Without Locating Post	

Recommended PCB mounting pattern



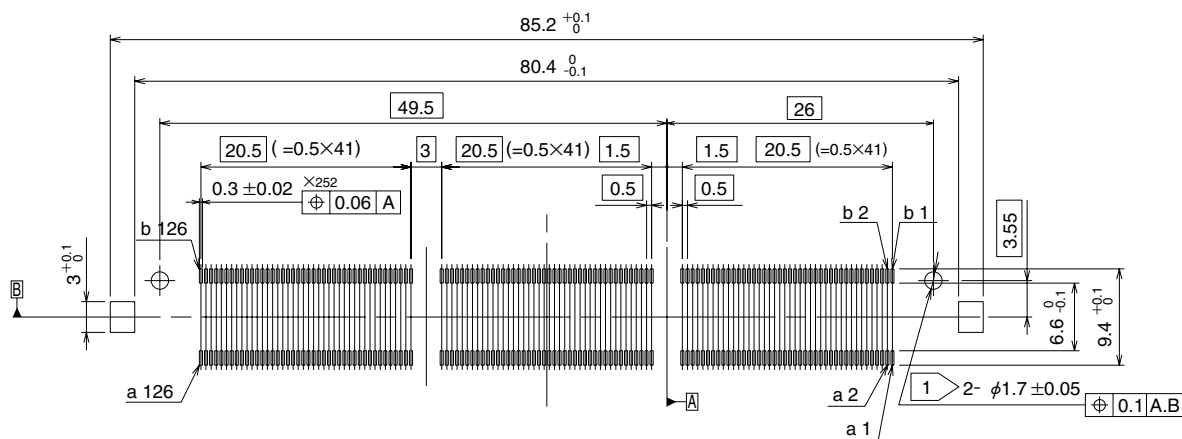
1 Not required for products without Locating Post.

Receptacles - 252 Contacts



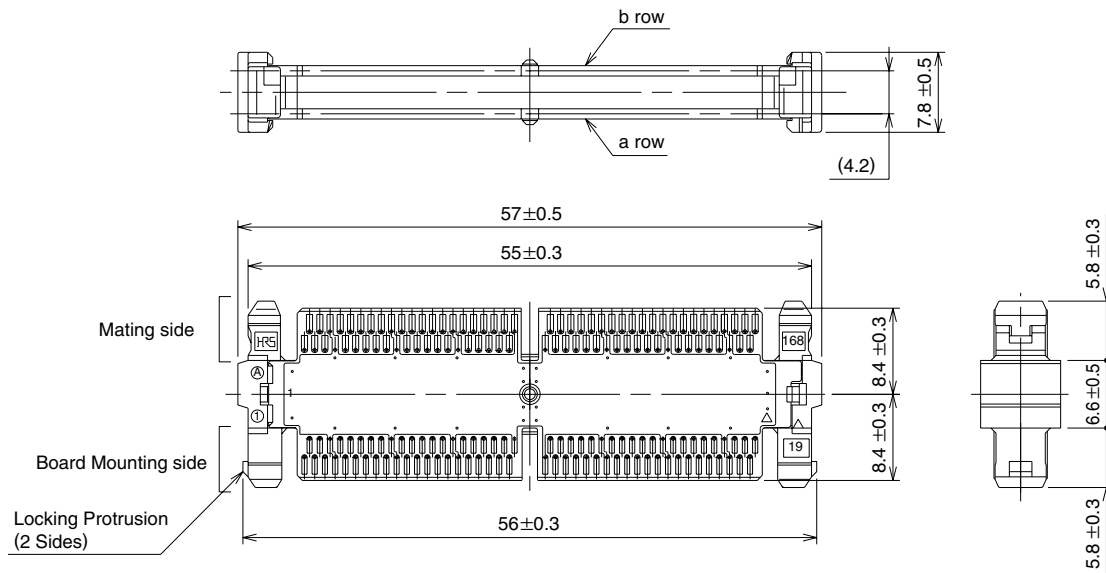
Part Number	CL No.	Locating Post Type	RoHS
IT1-252S-SV	641-0003-3	With Locating Post	YES
IT1A-252S-SV	641-0013-7	Without Locating Post	

Recommended PCB mounting pattern



1 Not required for products without locating Post.

Transmission Module - 168 Contacts



Part Number	CL No.	Board-to-board Distance	A	B	C	RoHS
IT1-168P/28-19H	641-0192-8	19mm	8.4	8.4	6.6	YES
IT1-168P/28-30H	641-0303-7	30mm	13.9	13.9	17.6	

Connection Table

The connection table indicates contact numbers in the mated condition, as illustrated in Fig. 1.

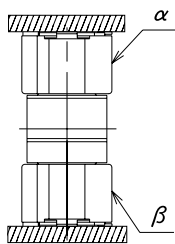


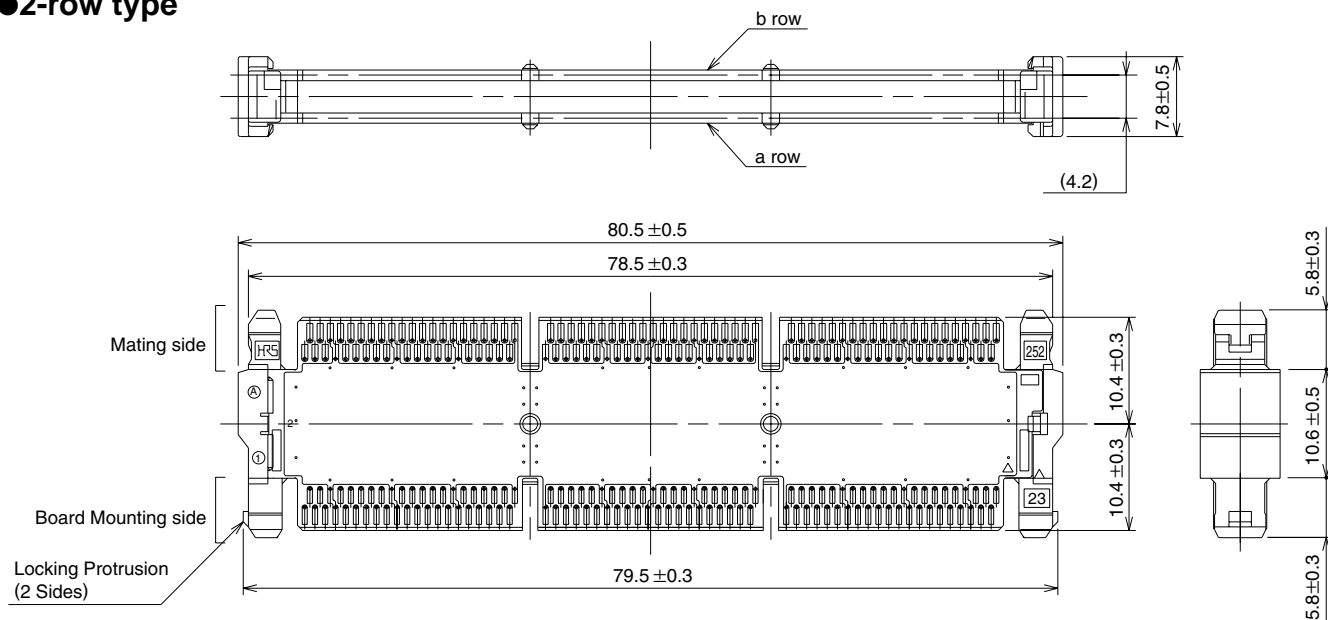
Fig. 1

		a row	
		$\alpha - \beta$	$\alpha - \beta$
Signal	a 1 - a84	Signal	a44 - a41
	a 2 - a83		
	a 3 - a82		
	a 4 - a81		
	a 5 - a80		a53 - a32
Ground	a 6 - a79	Ground	a54 - a31
	a 7 - a78		a55 - a30
Signal	a 8 - a77	Signal	a56 - a29
Ground	a17 - a68	Ground	a65 - a20
	a18 - a67		a66 - a19
Signal	a19 - a66	Signal	a67 - a18
	a20 - a65		a68 - a17
Ground	a29 - a56	Ground	a77 - a 8
	a30 - a55		a78 - a 7
Signal	a31 - a54	Signal	a79 - a 6
	a32 - a53		a80 - a 5
Ground		Ground	a81 - a 4
			a82 - a 3
Signal		Signal	a83 - a 2
			a84 - a 1
Ground	a41 - a44	Ground	
	a42 - a43		
Ground	a43 - a42	Ground	

		b row	
		$\alpha - \beta$	$\alpha - \beta$
Signal	b 1 - b84	Signal	b44 - b41
	b 2 - b83		
	b 3 - b82		
	b 4 - b81		
	b 5 - b80		b53 - b32
Ground	b 6 - b79	Ground	b54 - b31
	b 7 - b78		b55 - b30
Signal	b 8 - b77	Signal	b56 - b29
Ground	b17 - b68	Ground	b65 - b20
	b18 - b67		b66 - b19
Signal	b19 - b66	Signal	b67 - b18
	b20 - b65		b68 - b17
Ground	b29 - b56	Ground	b77 - b 8
	b30 - b55		b78 - b 7
Signal	b31 - b54	Signal	b79 - b 6
	b32 - b53		b80 - b 5
Ground		Ground	b81 - b 4
			b82 - b 3
Signal		Signal	b83 - b 2
			b84 - b 1
Ground	b41 - b44	Ground	
	b42 - b43		
Ground	b43 - b42	Ground	

Transmission Module - 252 Contacts

2-row type



Part Number	CL No.	Board-to-board Distance	A	B	C	RoHS
IT1-252P/44-23H	641-0231-8	23mm	10.4	10.4	10.6	YES
IT1-252P/44-30H	641-0304-0	30mm	13.9	13.9	17.6	

Connection Table

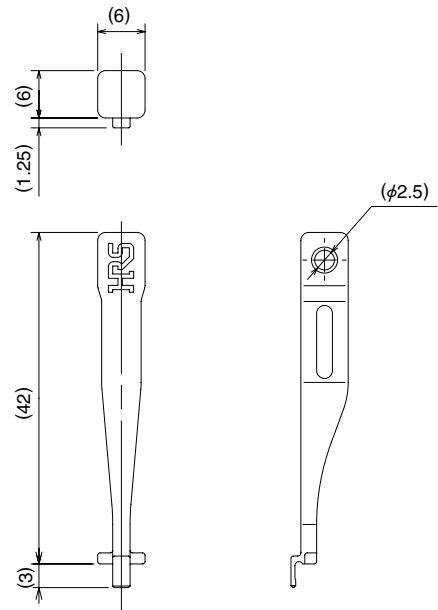
The connection table indicates contact numbers in the mated condition, as illustrated in Fig. 1.

Fig. 1

a row				b row			
	$\alpha - \beta$		$\alpha - \beta$		$\alpha - \beta$		$\alpha - \beta$
Signal	a 1 - a126	Signal	a44 - a83	Signal	b 1 - b126	Signal	b86 - b41
	a 5 - a122		a53 - a74		a95 - a32		
Ground	a 6 - a121	Ground	a54 - a73	Ground	b 5 - b122	Ground	b95 - b32
	a 7 - a120		a55 - a72		a96 - a31		
Signal	a 8 - a119	Signal	a56 - a71	Signal	b 6 - b121	Signal	b96 - b31
	a17 - a110		a57 - a70		a97 - a30		
Ground	a18 - a109	Ground	a58 - a69	Ground	b 7 - b120	Ground	b97 - b30
	a19 - a108		a59 - a68		a98 - a29		
Signal	a20 - a107	Signal	a60 - a67	Signal	b 8 - b119	Signal	b98 - b29
	a29 - a98		a61 - a66		a107 - a17		
Ground	a30 - a97	Ground	a62 - a65	Ground	b17 - b110	Ground	b107 - b20
	a31 - a96		a63 - a64		a108 - a19		
Signal	a32 - a95	Signal	a64 - a63	Signal	b18 - b109	Signal	b108 - b19
	a41 - a86		a65 - a62		a109 - a18		
Ground	a42 - a85	Ground	a66 - a61	Ground	b19 - b108	Ground	b109 - b18
	a43 - a84		a67 - a60		a110 - a17		
Signal	a44 - a83	Signal	a68 - a59	Signal	b20 - b107	Signal	b110 - b17
	a45 - a82		a69 - a58		a119 - a 8		
Ground	a46 - a81	Ground	a70 - a57	Ground	b29 - b98	Ground	b119 - b 8
	a47 - a80		a71 - a56		a120 - a 7		
Signal	a48 - a79	Signal	a72 - a55	Signal	b30 - b97	Signal	b120 - b 7
	a49 - a78		a73 - a54		a121 - a 6		
Ground	a50 - a77	Ground	a74 - a53	Ground	b31 - b96	Ground	b121 - b 6
	a51 - a76		a75 - a52		a122 - a 5		
Signal	a52 - a75	Signal	a76 - a51	Signal	b32 - b95	Signal	b122 - b 5
	a53 - a74		a77 - a50		b41 - b86		
Ground	a54 - a73	Ground	a78 - a49	Ground	b42 - b85	Ground	b84 - b43
	a55 - a72		a79 - a48		b43 - b84		
Signal	a56 - a71	Signal	a80 - a47	Signal	b44 - b83	Signal	b83 - b44
	a57 - a70		a81 - a46		b45 - b83		
Ground	a58 - a69	Ground	a82 - a45	Ground	b46 - b82	Ground	b84 - b43
	a59 - a68		a83 - a44		b47 - b81		
Signal	a60 - a67	Signal	a84 - a43	Signal	b48 - b80	Signal	b85 - b42
	a61 - a66		a85 - a42		b49 - b79		
Ground	a62 - a65	Ground	a86 - a41	Ground	b50 - b78	Ground	b86 - b41
	a63 - a64		a87 - a40		b51 - b77		
Signal	a64 - a63	Signal	a88 - a39	Signal	b52 - b76	Signal	b87 - b40
	a65 - a62		a89 - a38		b53 - b75		
Ground	a66 - a61	Ground	a90 - a37	Ground	b54 - b74	Ground	b88 - b39
	a67 - a60		a91 - a36		b55 - b73		
Signal	a68 - a59	Signal	a92 - a35	Signal	b56 - b72	Signal	b89 - b38
	a69 - a58		a93 - a34		b57 - b71		
Ground	a70 - a57	Ground	a94 - a33	Ground	b58 - b70	Ground	b90 - b37
	a71 - a56		a95 - a32		b59 - b69		
Signal	a72 - a55	Signal	a96 - a31	Signal	b60 - b68	Signal	b91 - b36
	a73 - a54		a97 - a30		b61 - b67		
Ground	a74 - a53	Ground	a98 - a29	Ground	b62 - b66	Ground	b92 - b35
	a75 - a52		a99 - a28		b63 - b65		
Signal	a76 - a51	Signal	a100 - a27	Signal	b64 - b64	Signal	b93 - b34
	a77 - a50		a101 - a26		b65 - b63		
Ground	a78 - a49	Ground	a102 - a25	Ground	b66 - b62	Ground	b94 - b33
	a79 - a48		a103 - a24		b67 - b61		
Signal	a80 - a47	Signal	a104 - a23	Signal	b68 - b61	Signal	b95 - b32
	a81 - a46		a105 - a22		b69 - b60		
Ground	a82 - a45	Ground	a106 - a21	Ground	b70 - b59	Ground	b96 - b31
	a83 - a44		a107 - a20		b71 - b58		
Signal	a84 - a43	Signal	a108 - a19	Signal	b72 - b57	Signal	b97 - b30
	a85 - a42		a109 - a18		b73 - b56		
Ground	a86 - a41	Ground	a110 - a17	Ground	b74 - b55	Ground	b98 - b29
	a87 - a40		a111 - a16		b75 - b54		
Signal	a88 - a39	Signal	a112 - a15	Signal	b76 - b53	Signal	b99 - b28
	a89 - a38		a113 - a14		b77 - b52		
Ground	a90 - a37	Ground	a114 - a13	Ground	b78 - b51	Ground	b100 - b27
	a91 - a36		a115 - a12		b79 - b50		
Signal	a92 - a35	Signal	a116 - a11	Signal	b80 - b49	Signal	b101 - b26
	a93 - a34		a117 - a10		b81 - b48		
Ground	a94 - a33	Ground	a118 - a9	Ground	b82 - b47	Ground	b102 - b25
	a95 - a32		a119 - a8		b83 - b46		
Signal	a96 - a31	Signal	a120 - a7	Signal	b84 - b45	Signal	b103 - b24
	a97 - a30		a121 - a6		b85 - b44		
Ground	a98 - a29	Ground	a122 - a5	Ground	b86 - b43	Ground	b104 - b23
	a99 - a28		a123 - a4		b87 - b42		
Signal	a100 - a27	Signal	a124 - a3	Signal	b88 - b41	Signal	b105 - b22
	a101 - a26		a125 - a2		b89 - b40		
Ground	a102 - a25	Ground	a126 - a1	Ground	b90 - b39	Ground	b106 - b21
	a103 - a24		a127 - a0		b91 - b38		

◆ IT1 Series Extraction Tool

Part Number	CL No.	Remarks	RoHS
IT1-PICKER(1)	641-1001-3	2-piece Package	YES



Installation and Use Instruction Manual

Table of Contents

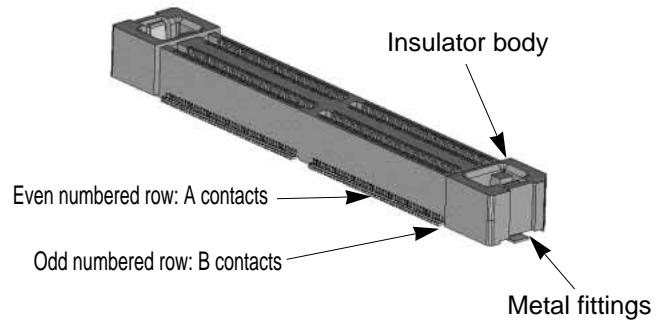
1. System Components	A302
● Receptacles	
● Transmission Module Assembly	
● Extraction Tool	
2. Recommended Design Guidelines	A303
2-1 Recommended Solder Land Pattern	
2-2 Board-to-Board Spacer Heights	
3. Connector Placement	A304
3-1 Receptacle Packaging Types	
3-2 Receptacle Vacuum Pick-and-Place Areas	
3-3 Receptacle Board Placement	
3-4 Recommended Reflow Conditions	
3-5 Solder Repairs	
4. Mating Procedure	A307
5. Un-mating of Connectors	A308
6. Removal of the Transmission Module from the stationary side. ..	A309
7. Precautions When Mounting Multiple Connectors ..	A310
● Allowable Amount of Misalignment	
● Recommended Positional Location	

◆ Connector Handling Precautions

1. System components

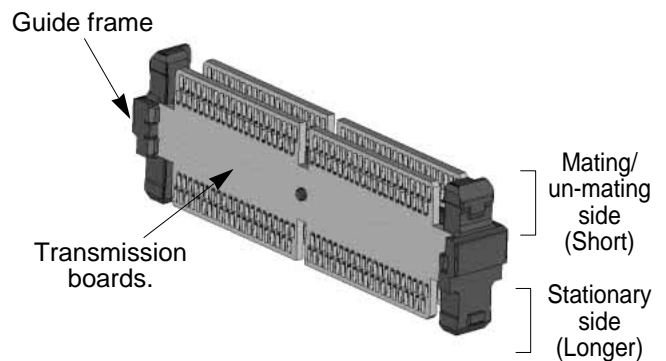
■ Receptacles

- **Contacts**
Row A and row B contacts are arranged alternately starting with No.1 in row B. Placement on board is polarized.
- **Metal Fittings**
Permanently inserted to provide lock with the Transmission Module and additional solder areas with the PCB.
- **Insulator body**
Injection molded single unit provides protection and correct self-alignment of all components.



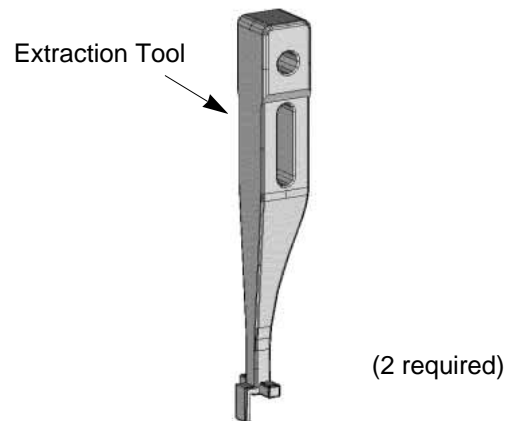
■ Transmission Module Assembly

- Each Module has stationary side and a mating/un-mating side.
- When mounting multiple connectors, please keep uniform orientation of the stationary side.
- Transmission printed circuit boards used in the module are based on JIS standards and quality standards applicable to memory modules.



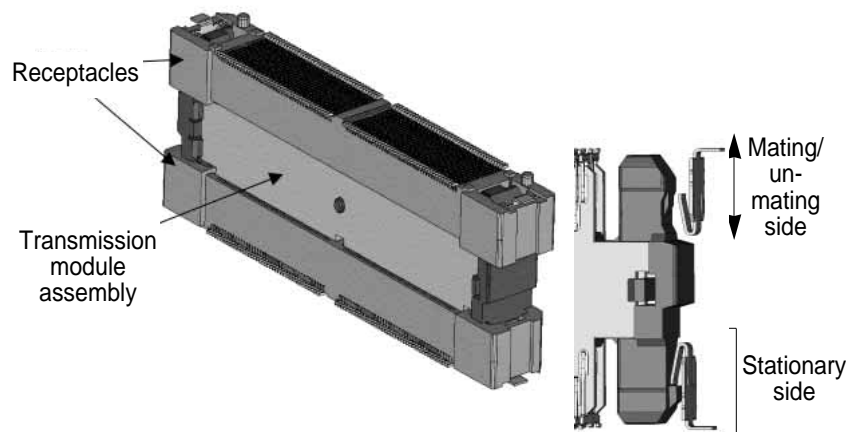
■ Extraction Tool

- Used to release the transmission module from the stationary receptacle.



Fully Connected Condition

The interconnection package consists of 3 main sub-assemblies: Two receptacles and the Transmission Module. The transmission module, held securely by the guide frame has a mating/un-mating side and a stationary side. Once the stationary side is inserted in the receptacle, it can not be removed without the use of extraction tool. The mating/un-mating side allows repeated re-insertion of the receptacle on this side only.



2. Recommended Design Guidelines

2-1 Solder Land Pattern

When placing the receptacles on the Printed Circuit Boards using automatic mounting equipment or manually, assure that the correct diameters of the holes (Fig. 1) are through the entire thickness of the board.

◆ Locating post hole diameter ◆

The contacts of receptacle assembly are exposed on the bottom surfaces. The exposed areas of the contacts are a distance of 0.25 mm minimum from the surface of the Printed Circuit Board, on which the receptacle assembly is placed (Fig.2). Consideration should be taken not to place or assure insulation of conductive traces under the receptacle assemblies.

Refer to the separate drawings for recommended solder land pattern dimensions of the receptacle, and signals and ground connection diagram of the transmission module.

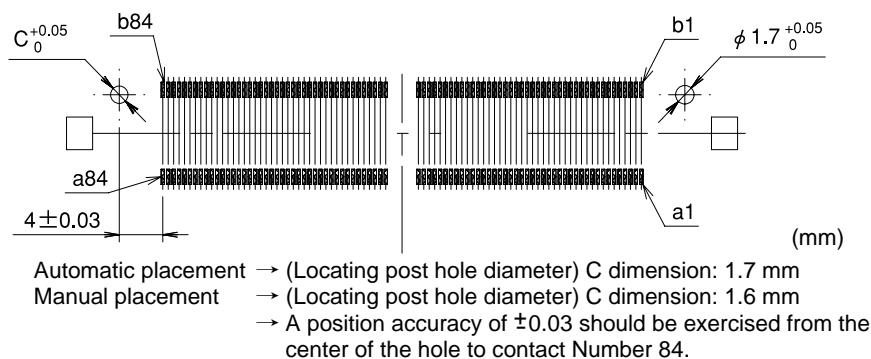


Fig. 1 IT1-168S-SV Recommended Solder Land Pattern

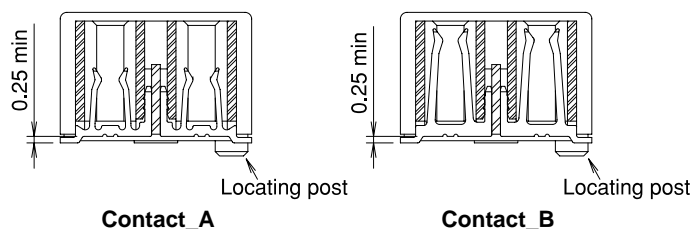


Fig. 2 Cross section of IT1 receptacle

2-2 Board-to-Board Spacer heights

The two parallel boards connected by the IT1 connectors should be fastened to additional spacers between them.

Fig. 3 indicates the connector height tolerance and the spacer's height.

When designing the spacer's height, consideration should be given to the solder paste thickness and any other features, which may affect the full mating of the connector.

Fig. 3 indicates design dimensions for the 19 mm board-to-board distance.

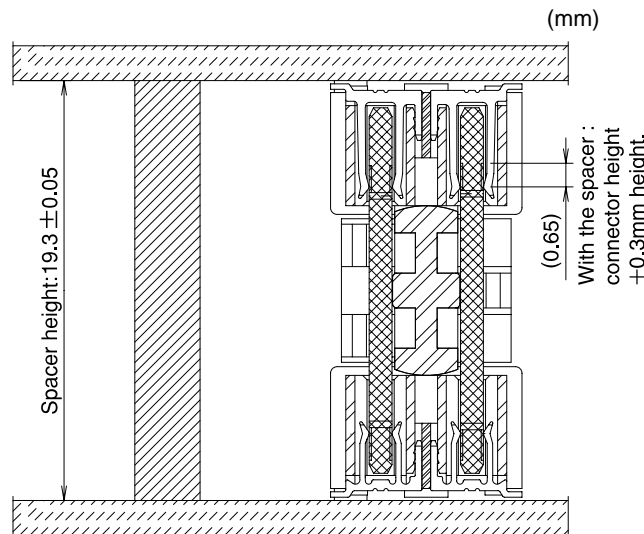


Fig. 3

3. Connector Placement

3-1 Packaging Types

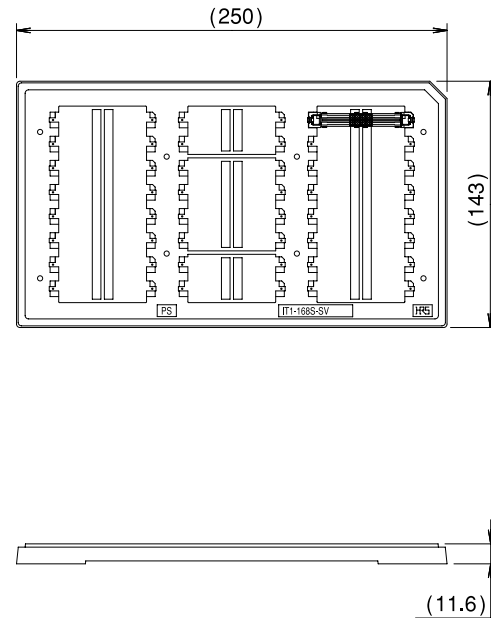
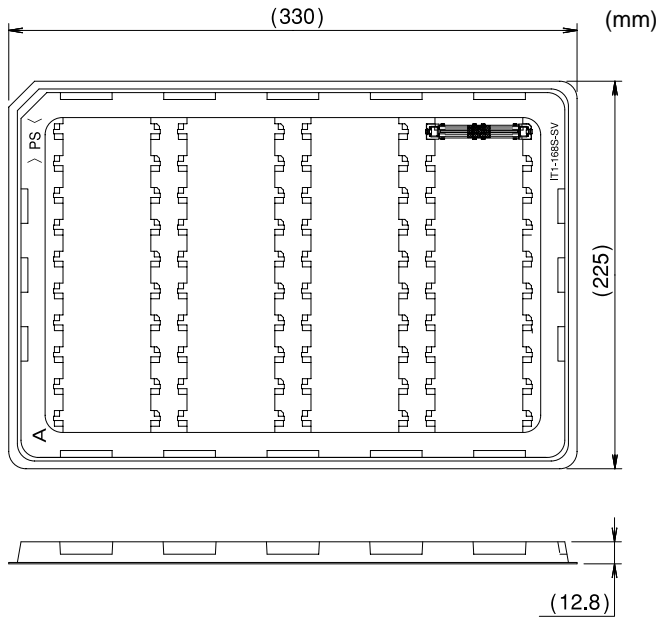
- Two types of packaging are available: semi-hard tray and hard tray. Customers may specify a packaging type suitable for their automatic placement machines.
- * Refer to the separate drawings for the detailed dimensions of the trays.

• Semi-hard tray packaging

168 contacts receptacle: 40 pieces per tray
 252 contacts receptacle: 30 pieces per tray

• Hard tray packaging

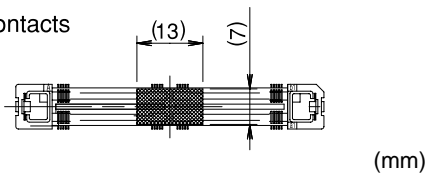
168 contacts receptacle: 24 pieces per tray
 252 contacts receptacle: 16 pieces per tray



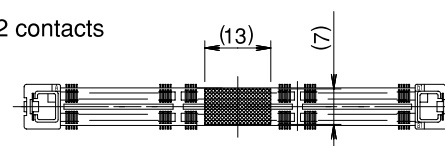
3-2 Automatic placement - Vacuum Pick-and-Place Areas

- Specify "Vacuum Pick-up Tape Specification".
 The area and position of the pick-and-place surface are indicated in the diagrams below.

• 168 contacts



• 252 contacts



3-3 Receptacle Board Placement

- When using automatic placement equipment, verify the packaging type and the Pick-and-place areas.
- When placing manually, pay attention to the possibility of positional shift. Ref. Fig. 4.
- * When placing multiple connectors, to assure positional accuracy, it is advised to use automatic placement equipment.

◆ Precautions for Manual Placement ◆

The orientation posts serve as a prevention measure to avoid incorrect placement of the receptacle assemblies on the board. The contact terminals must be placed correctly over the corresponding solder pad as shown on Fig. 4-1.

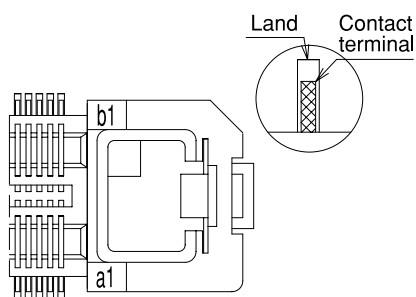


Fig. 4-1 = Correct

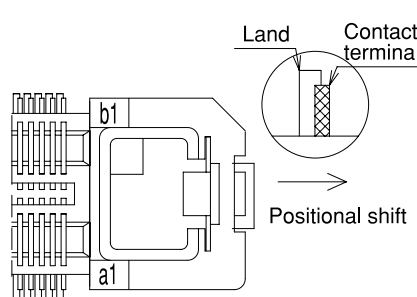


Fig. 4-2 = Incorrect

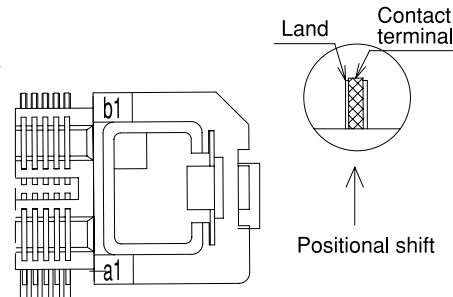
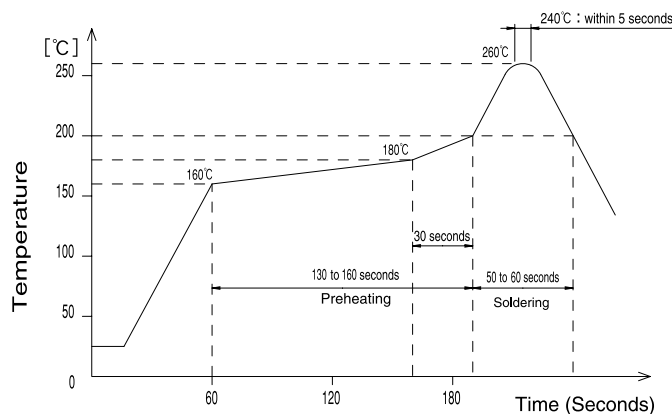


Fig. 4-3 = Incorrect

3-4 Recommended Reflow Conditions



Applicable Conditions

- Reflow system : IR reflow
- Solder : Paste type (Sn:96.5, AG:3.0, Cu:5.0)
(Flux content 9wt%)
- Test board : Glass epoxy (FR-4), 85mm x 110mm x 1.6 mm
- Metal mask thickness : 0.15 mm

* Shown recommended temperature profile.

3-5 Solder Repairs

Assure that flux is not reaching the contact areas of the connector.
Wash the assembly as recommended below.

◆Cleaning Conditions◆

<Organic Solvent Cleaning>

Solvent Type	Normal temperature	Heated
IPA (Isopropyl alcohol)	Good	Good

<Water Based Cleaning>

When using water based cleaning agents (e.g., terpene, and alkali saponifiers), select the cleaning agent based on the documentation issued by the various manufacturers, which describes its effects on metals and resins. Care should be taken not to leave moisture on the connectors.

<Cleaning Precautions>

Residual flux or cleaning agent remaining on the connectors when cleaning with organic solvents or water based cleaners may cause deterioration of the electrical performance. It is important to check that a thorough washing has been performed.

4. Mating Procedure

Follow the procedure described below.

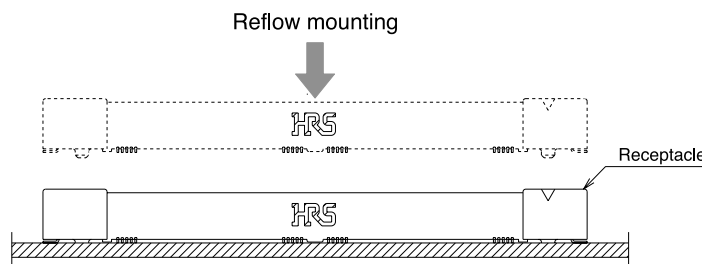
- Note:
- The transmission module must be fully inserted into receptacle assembly already placed and soldered to a board.
 - The Transmission Module cannot be exposed to heat temperatures of the soldering process.

Step 1

Receptacle Placement on the board – stationary side

Assure that the orientation posts are aligned with the holes on the board.

When specifying receptacle assemblies without the orientation posts exercise extra caution to assure correct orientation and connection with the solder pads.

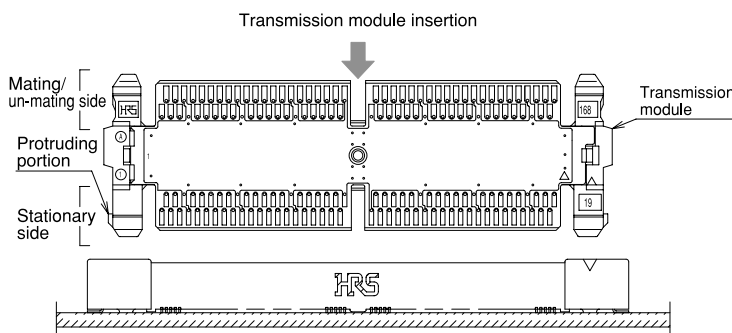


Step 2

Insertion of the Transmission Module

Fully insert the Transmission Module in the board-installed receptacle assembly.

It is critical that the insertion is done straight and uniformly.



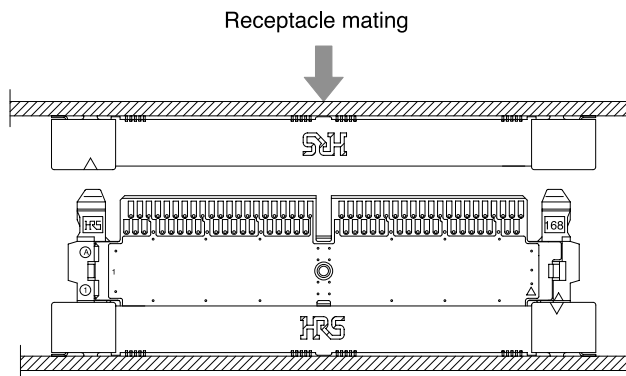
Step 3

Mating/un-mating

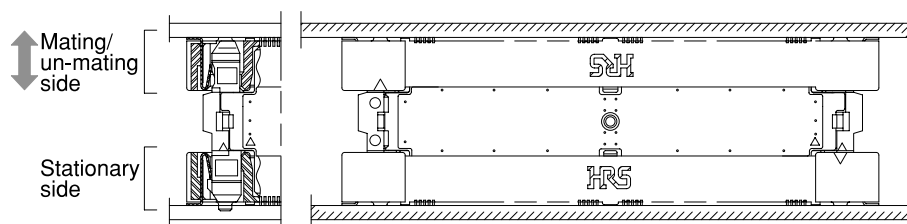
Assure that the receptacle assembly is correctly aligned with the Transmission Module.

Fully insert the receptacle assembly on the Transmission Module.

It is critical that the insertion is done straight and uniformly.



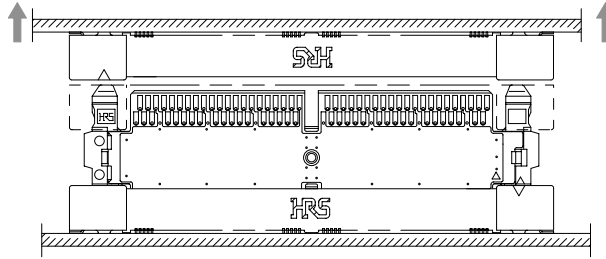
Step 4



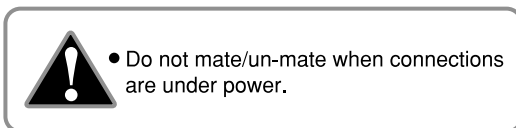
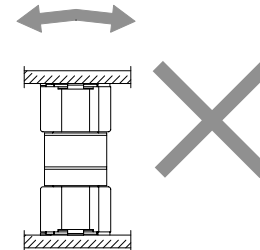
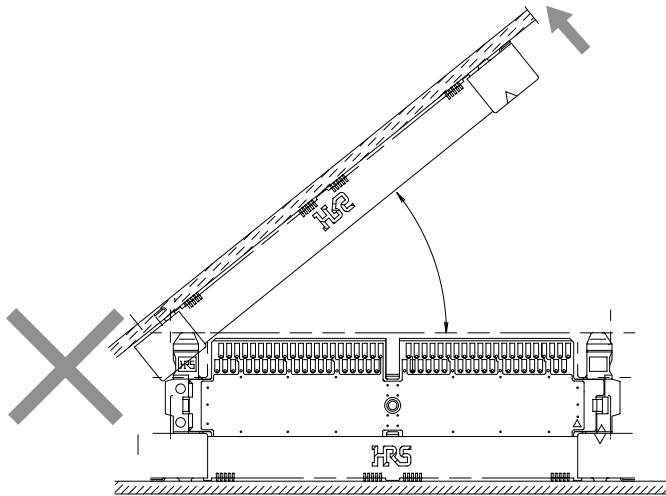
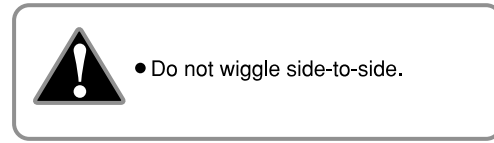
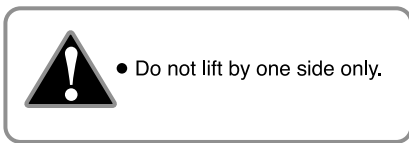
5. Un-mating of Connectors

Recommended Method

- Pull uniformly straight up.



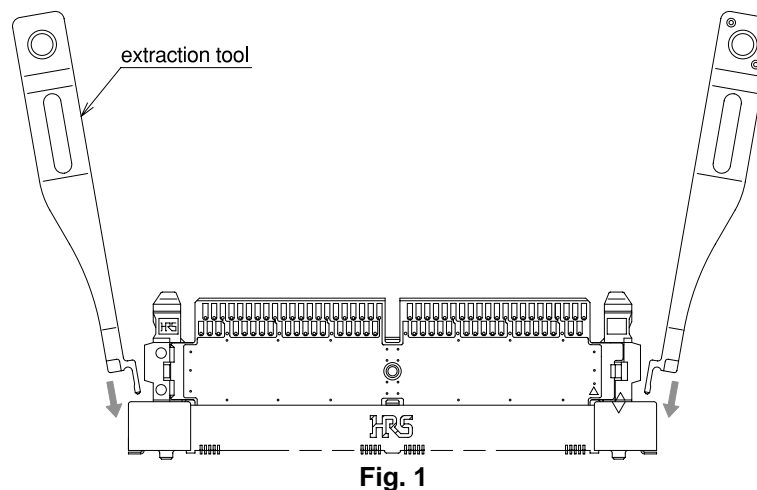
Prohibited un-mating Methods



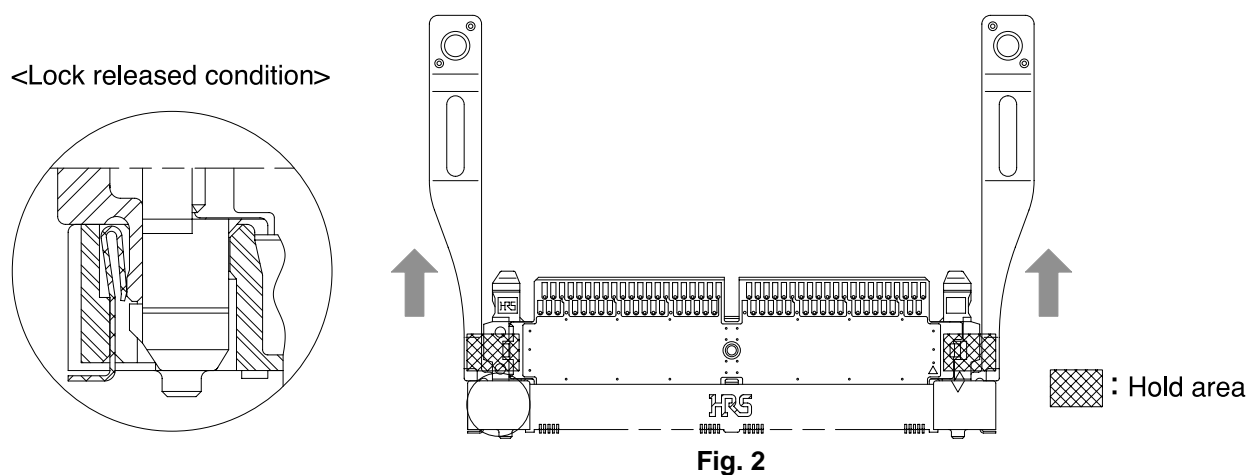
6. Removal of the Transmission Module - stationary side

- Requires use of dedicated extraction tool. Two are required.

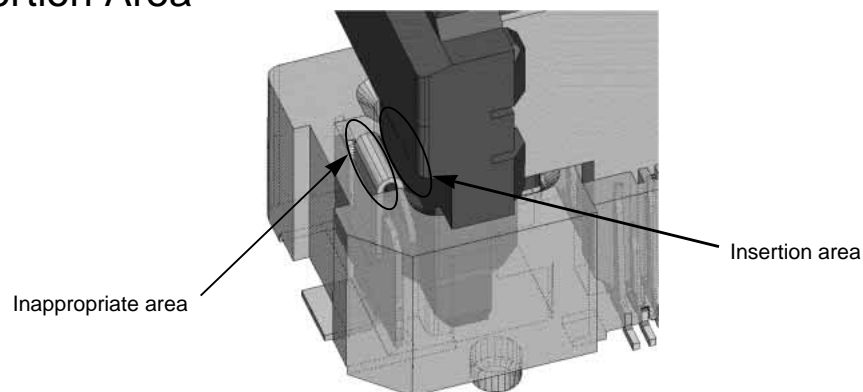
- Step 1**
- Fully insert the tools into each end of the receptacle assembly (Fig. 1) assuring that they will be over the hold areas of the Transmission Module frame. Ref. Fig. 2



- Step 2**
- Pull out the transmission module holding the tools straight.



extraction tool Insertion Area



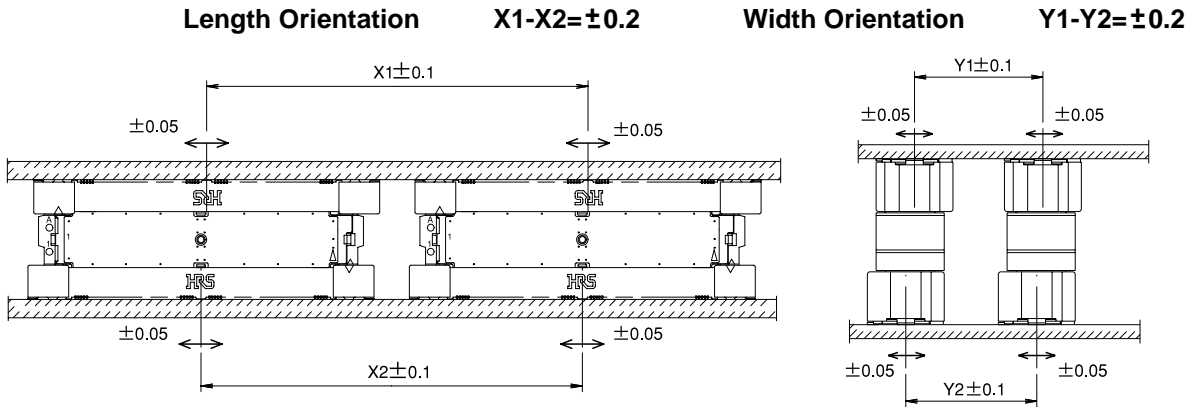
7. Precautions When Mounting Multiple Connectors

Note: Observe the requirements as listed in paragraph 7-1 and 7-2.

The mating/un-mating forces will increase with use of multiple assemblies. It is recommended that a dedicated tooling is used for mating / un-mating of multiple connector assemblies in a single operation.

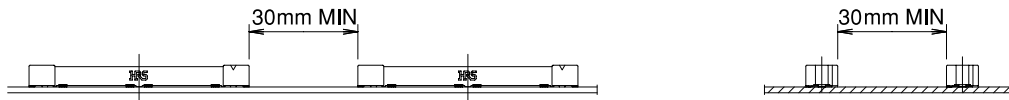
7-1 Allowable Amount of Misalignment

Maximum allowable misalignment in X and Y directions is ± 0.2 mm total.
 Refer to the drawings below.



7-2 Recommended Connector Placement

It is recommended to leave min. of 30 mm space between the adjacent connector assemblies.



7-3 Examples of Prohibited Placement Positions

To assure reliability of solder joints and mating/ un-mating without damage, **DO NOT PLACE MULTIPLE CONNECTORS** as illustrated below.



Компания «Океан Электроники» предлагает заключение долгосрочных отношений при поставках импортных электронных компонентов на взаимовыгодных условиях!

Наши преимущества:

- Поставка оригинальных импортных электронных компонентов напрямую с производств Америки, Европы и Азии, а так же с крупнейших складов мира;
- Широкая линейка поставок активных и пассивных импортных электронных компонентов (более 30 млн. наименований);
- Поставка сложных, дефицитных, либо снятых с производства позиций;
- Оперативные сроки поставки под заказ (от 5 рабочих дней);
- Экспресс доставка в любую точку России;
- Помощь Конструкторского Отдела и консультации квалифицированных инженеров;
- Техническая поддержка проекта, помощь в подборе аналогов, поставка прототипов;
- Поставка электронных компонентов под контролем ВП;
- Система менеджмента качества сертифицирована по Международному стандарту ISO 9001;
- При необходимости вся продукция военного и аэрокосмического назначения проходит испытания и сертификацию в лаборатории (по согласованию с заказчиком);
- Поставка специализированных компонентов военного и аэрокосмического уровня качества (Xilinx, Altera, Analog Devices, Intersil, Interpoint, Microsemi, Actel, Aeroflex, Peregrine, VPT, Syfer, Eurofarad, Texas Instruments, MS Kennedy, Miteq, Cobham, E2V, MA-COM, Hittite, Mini-Circuits, General Dynamics и др.);

Компания «Океан Электроники» является официальным дистрибьютором и эксклюзивным представителем в России одного из крупнейших производителей разъемов военного и аэрокосмического назначения «JONHON», а так же официальным дистрибьютором и эксклюзивным представителем в России производителя высокотехнологичных и надежных решений для передачи СВЧ сигналов «FORSTAR».



JONHON

«JONHON» (основан в 1970 г.)

Разъемы специального, военного и аэрокосмического назначения:

(Применяются в военной, авиационной, аэрокосмической, морской, железнодорожной, горно- и нефтедобывающей отраслях промышленности)

«FORSTAR» (основан в 1998 г.)

ВЧ соединители, коаксиальные кабели, кабельные сборки и микроволновые компоненты:

(Применяются в телекоммуникациях гражданского и специального назначения, в средствах связи, РЛС, а так же военной, авиационной и аэрокосмической отраслях промышленности).



Телефон: 8 (812) 309-75-97 (многоканальный)

Факс: 8 (812) 320-03-32

Электронная почта: ocean@oceanchips.ru

Web: <http://oceanchips.ru/>

Адрес: 198099, г. Санкт-Петербург, ул. Калинина, д. 2, корп. 4, лит. А