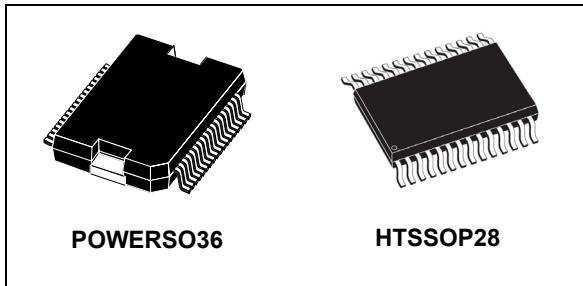


Fully integrated microstepping motor driver

Datasheet - production data



Applications

- Bipolar stepper motor

Description

The L6474 device, realized in analog mixed signal technology, integrates a dual low $R_{DS(on)}$ DMOS full bridge with all power switches equipped with an accurate on-chip current sensing circuitry suitable for non-dissipative current control and overcurrent protections. Thanks to a new current control, a 1/16 microstepping is achieved through an adaptive decay mode which outperforms traditional implementations.

All data registers, including those used to set analogue values (i.e.: current control value, current protection trip point, deadtime, etc.) are sent through a standard 5 Mbit/s SPI.

A very rich set of protections (thermal, low bus voltage, overcurrent) makes the L6474 device “bullet proof” as required by the most demanding motor control applications.

Features

- Operating voltage: 8 - 45 V
- 7.0 A output peak current (3.0 A_{r.m.s.})
- Low $R_{DS(on)}$ power MOSFETs
- Programmable power MOS slew rate
- Up to 1/16 microstepping
- Current control with adaptive decay
- Non-dissipative current sensing
- SPI interface
- Low quiescent and standby currents
- Programmable non-dissipative overcurrent protection on all power MOS
- Two-level overtemperature protection

Table 1. Device summary

Order code	Package	Packing
L6474H	HTSSOP28	Tube
L6474HTR	HTSSOP28	Tape and reel
L6474PD	POWERSO36	Tube
L6474PDTR	POWERSO36	Tape and reel

Contents

- 1 Block diagram 7**
- 2 Electrical data 8**
 - 2.1 Absolute maximum ratings 8
 - 2.2 Recommended operating conditions 9
 - 2.3 Thermal data 9
- 3 Electrical characteristics 10**
- 4 Pin connection 15**
 - Pin list 16
- 5 Typical applications 18**
- 6 Functional description 19**
 - 6.1 Device power-up 19
 - 6.2 Logic I/O 19
 - 6.3 Charge pump 19
 - 6.4 Microstepping 20
 - 6.5 Absolute position counter 21
 - 6.6 Step sequence control 21
 - 6.7 Enable and disable commands 21
 - 6.8 Internal oscillator and oscillator driver 22
 - 6.8.1 Internal oscillator 22
 - 6.8.2 External clock source 22
 - 6.9 Overcurrent detection 23
 - 6.10 Undervoltage lockout (UVLO) 24
 - 6.11 Thermal warning and thermal shutdown 24
 - 6.12 Reset and standby 24
 - 6.13 Programmable DMOS slew rate, deadtime and blanking-time 25
 - 6.14 Integrated analog to digital converter 25
 - 6.15 Internal voltage regulator 25

6.16	SYNC pin	26
6.17	FLAG pin	26
7	Phase current control	27
7.1	Peak current control	27
7.2	Auto-adjusted decay mode	28
7.3	Auto-adjusted fast decay during the falling steps	29
7.4	Torque regulation (output current amplitude regulation)	30
8	Serial interface	31
9	Programming manual	33
9.1	Registers and flags description	33
9.1.1	ABS_POS	34
9.1.2	EL_POS	34
9.1.3	MARK	34
9.1.4	TVAL	34
9.1.5	T_FAST	35
9.1.6	TON_MIN	35
9.1.7	TOFF_MIN	36
9.1.8	ADC_OUT	37
9.1.9	OCD_TH	37
9.1.10	STEP_MODE	38
9.1.11	ALARM_EN	39
9.1.12	CONFIG	39
9.1.13	STATUS	41
9.2	Application commands	42
9.2.1	Command management	43
9.2.2	NOP	44
9.2.3	SetParam (PARAM, VALUE)	44
9.2.4	GetParam (PARAM)	45
9.2.5	Enable	45
9.2.6	Disable	45
9.2.7	GetStatus	46

10	Package information	47
	10.1 HTSSOP28 package information	48
	10.2 POWERSO36 package information	50
11	Revision history	52

List of tables

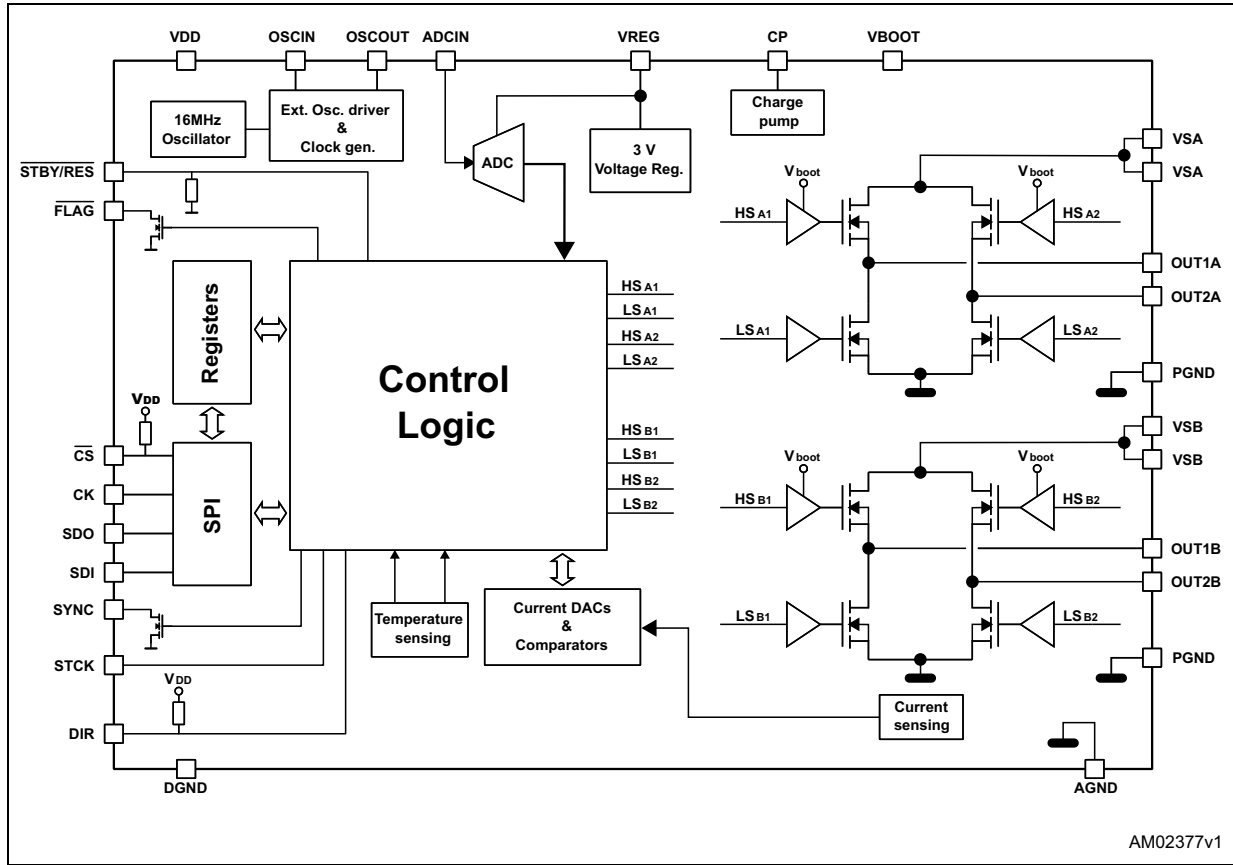
Table 1.	Device summary	1
Table 2.	Absolute maximum ratings	8
Table 3.	Recommended operating conditions	9
Table 4.	Thermal data	9
Table 5.	Electrical characteristics	10
Table 6.	Pin description	16
Table 7.	Typical application values	18
Table 8.	CL values according to external oscillator frequency	22
Table 9.	Register map	33
Table 10.	EL_POS register	34
Table 11.	Torque regulation register	35
Table 12.	T_FAST register	35
Table 13.	Maximum fast decay times	35
Table 14.	Minimum ON time	36
Table 15.	Minimum OFF time	36
Table 16.	ADC_OUT value and torque regulation feature	37
Table 17.	Overcurrent detection threshold	37
Table 18.	STEP_MODE register	38
Table 19.	Step mode selection	38
Table 20.	SYNC signal source	39
Table 21.	ALARM_EN register	39
Table 22.	CONFIG register	39
Table 23.	Oscillator management	40
Table 24.	Overcurrent event	40
Table 25.	Programmable power bridge output slew rate values	41
Table 26.	External torque regulation enable	41
Table 27.	OFF time	41
Table 28.	STATUS register	41
Table 29.	STATUS register DIR bit	42
Table 30.	Application commands	42
Table 31.	NOP command structure	44
Table 32.	SetParam command structure	44
Table 33.	GetParam command structure	45
Table 34.	HardStop command structure	45
Table 35.	Disable command structure	45
Table 36.	GetStatus command structure	46
Table 37.	HTSSOP28 package mechanical data	49
Table 38.	POWERSO36 package mechanical data	51
Table 39.	Document revision history	52

List of figures

Figure 1.	Block diagram	7
Figure 2.	HTSSOP28 pin connection (top view)	15
Figure 3.	POWERSO36 pin connection (top view)	15
Figure 4.	Bipolar stepper motor control application using L6474	18
Figure 5.	Charge pump circuitry	20
Figure 6.	Normal mode and microstepping (16 microsteps)	20
Figure 7.	OSCIN and OSCOUT pin configurations	23
Figure 8.	Internal 3 V linear regulator	26
Figure 9.	Peak current control	27
Figure 10.	Adaptive decay - fast decay tuning	28
Figure 11.	Adaptive decay - switch from normal to slow + fast decay mode and vice versa	29
Figure 12.	Fast decay tuning during the falling steps	30
Figure 13.	SPI timings diagram	31
Figure 14.	Daisy chain configuration	32
Figure 15.	Command with three-byte argument	43
Figure 16.	Command with three-byte response	43
Figure 17.	Command response aborted	43
Figure 18.	HTSSOP28 package outline	48
Figure 19.	POWERSO36 package outline	50

1 Block diagram

Figure 1. Block diagram



2 Electrical data

2.1 Absolute maximum ratings

Table 2. Absolute maximum ratings

Symbol	Parameter	Test condition	Value	Unit
V_{DD}	Logic interface supply voltage		5.5	V
V_S	Motor supply voltage	$V_{SA} = V_{SB} = V_S$	48	V
$V_{GND, diff}$	Differential voltage between AGND, PGND and DGND		± 0.3	V
V_{boot}	Bootstrap peak voltage		55	V
V_{REG}	Internal voltage regulator output pin and logic supply voltage		3.6	V
V_{ADCIN}	Integrated ADC input voltage range (ADCIN pin)		-0.3 to +3.6	V
V_{OSC}	OSCIN and OSCOUT pin voltage range		-0.3 to +3.6	V
$V_{out, diff}$	Differential voltage between V_{SA} , OUT1 _A , OUT2 _A , PGND and V_{SB} , OUT1 _B , OUT2 _B , PGND pins	$V_{SA} = V_{SB} = V_S$	48	V
V_{LOGIC}	Logic inputs voltage range		-0.3 to +5.5	V
$I_{out}^{(1)}$	R.m.s. output current		3	A
$I_{out, peak}^{(1)}$	Pulsed output current	$T_{PULSE} < 1 \text{ ms}$	7	A
T_{OP}	Operating junction temperature		-40 to 150	°C
T_s	Storage temperature range		-55 to 150	°C
P_{tot}	Total power dissipation ($T_A = 25 \text{ °C}$)	(2)	5	W

1. Maximum output current limit is related to metal connection and bonding characteristics. Actual limit must satisfy maximum thermal dissipation constraints.
2. HTSSOP28 mounted on EVAL6474H.

2.2 Recommended operating conditions

Table 3. Recommended operating conditions

Symbol	Parameter	Test condition	Value		Unit
V _{DD}	Logic interface supply voltage	3.3 V logic outputs		3.3	V
		5 V logic outputs		5	
V _S	Motor supply voltage	V _{SA} = V _{SB} = V _S	8		45 V
V _{out_diff}	Differential voltage between V _{SA} , OUT1 _A , OUT2 _A , PGND and V _{SB} , OUT1 _B , OUT2 _B , PGND pins	V _{SA} = V _{SB} = V _S			45 V
V _{REG,in}	Logic supply voltage	V _{REG} voltage imposed by external source	3.2	3.3	V
V _{ADC}	Integrated ADC input voltage (ADCIN pin)		0		V _{REG} V

2.3 Thermal data

Table 4. Thermal data

Symbol	Parameter	Package	Typ.	Unit
R _{thJA}	Thermal resistance junction-ambient	HTSSOP28 ⁽¹⁾	22	°C/W
		POWERSO36 ⁽²⁾	12	

1. HTSSOP28 mounted on EVAL6474H Rev 1.0 board: four-layer FR4 PCB with a dissipating copper surface of about 40 cm² on each layer and 15 via holes below the IC.
2. POWERSO36 mounted on EVAL6474PD Rev 1.0 board: four-layer FR4 PCB with a dissipating copper surface of about 40 cm² on each layer and 22 via holes below the IC.

3 Electrical characteristics

$V_{SA} = V_{SB} = 36\text{ V}$; $V_{DD} = 3.3\text{ V}$; internal 3 V regulator; $T_J = 25\text{ }^\circ\text{C}$, unless otherwise specified.

Table 5. Electrical characteristics

Symbol	Parameter	Test condition	Min.	Typ.	Max.	Unit
General						
V_{SthOn}	V_S UVLO turn-on threshold		7.5	8.2	8.9	V
V_{SthOff}	V_S UVLO turn-off threshold		6.6	7.2	7.8	V
$V_{SthHyst}$	V_S UVLO threshold hysteresis		0.7	1	1.3	V
I_q	Quiescent motor supply current	Internal oscillator selected; $V_{REG} = 3.3\text{ V ext}$; CP floating		0.5	0.65	mA
$T_{j(WRN)}$	Thermal warning temperature			130		$^\circ\text{C}$
$T_{j(SD)}$	Thermal shutdown temperature			160		$^\circ\text{C}$
Charge pump						
V_{pump}	Voltage swing for charge pump oscillator			10		V
$f_{pump,min}$	Minimum charge pump oscillator frequency ⁽¹⁾			660		kHz
$f_{pump,max}$	Maximum charge pump oscillator frequency ⁽¹⁾			800		kHz
I_{boot}	Average boot current	$f_{sw,A} = f_{sw,B} = 15.6\text{ kHz}$ $POW_SR = '10'$		1.1	1.4	mA
Output DMOS transistor						
$R_{DS(on)}$	High-side switch ON resistance	$T_J = 25\text{ }^\circ\text{C}$, $I_{out} = 3\text{ A}$		0.37		Ω
		$T_J = 125\text{ }^\circ\text{C}$, ⁽²⁾ $I_{out} = 3\text{ A}$		0.51		
	Low-side switch ON resistance	$T_J = 25\text{ }^\circ\text{C}$, $I_{out} = 3\text{ A}$		0.18		
		$T_J = 125\text{ }^\circ\text{C}$, ⁽²⁾ $I_{out} = 3\text{ A}$		0.23		
I_{DSS}	Leakage current	OUT = V_S			3.1	mA
		OUT = GND	-0.3			
t_r	Rise time ⁽³⁾	$POW_SR = '00'$, $I_{out} = +1\text{ A}$		100		ns
		$POW_SR = '00'$, $I_{out} = -1\text{ A}$		80		
		$POW_SR = '11'$, $I_{out} = \pm 1\text{ A}$		100		
		$POW_SR = '10'$, $I_{out} = \pm 1\text{ A}$		200		
		$POW_SR = '01'$, $I_{out} = \pm 1\text{ A}$		300		

Table 5. Electrical characteristics (continued)

Symbol	Parameter	Test condition	Min.	Typ.	Max.	Unit
t_f	Fall time ⁽³⁾	POW_SR = '00'; $I_{out} = +1$ A		90		ns
		POW_SR = '00'; $I_{out} = -1$ A		110		
		POW_SR = '11'; $I_{out} = \pm 1$ A		110		
		POW_SR = '10'; $I_{out} = \pm 1$ A		260		
		POW_SR = '01'; $I_{load} = \pm 1$ A		375		
SR_{out_r}	Output rising slew rate	POW_SR = '00'; $I_{out} = +1$ A		285		V/ μ s
		POW_SR = '00'; $I_{out} = -1$ A		360		
		POW_SR = '11'; $I_{out} = \pm 1$ A		285		
		POW_SR = '10'; $I_{out} = \pm 1$ A		150		
		POW_SR = '01'; $I_{out} = \pm 1$ A		95		
SR_{out_f}	Output falling slew rate	POW_SR = '00'; $I_{out} = +1$ A		320		V/ μ s
		POW_SR = '00'; $I_{out} = -1$ A		260		
		POW_SR = '11'; $I_{out} = \pm 1$ A		260		
		POW_SR = '10'; $I_{out} = \pm 1$ A		110		
		POW_SR = '01'; $I_{out} = \pm 1$ A		75		
Deadtime and blanking						
t_{DT}	Deadtime ⁽¹⁾	POW_SR = '00'		250		ns
		POW_SR = '11', $f_{OSC} = 16$ MHz		375		
		POW_SR = '10', $f_{OSC} = 16$ MHz		625		
		POW_SR = '01', $f_{OSC} = 16$ MHz		875		
t_{blank}	Blanking time ⁽¹⁾	POW_SR = '00'		250		ns
		POW_SR = '11', $f_{OSC} = 16$ MHz		375		
		POW_SR = '10', $f_{OSC} = 16$ MHz		625		
		POW_SR = '01', $f_{OSC} = 16$ MHz		875		
Source-drain diodes						
$V_{SD,HS}$	High-side diode forward ON voltage	$I_{out} = 1$ A		1	1.1	V
$V_{SD,LS}$	Low-side diode forward ON voltage	$I_{out} = 1$ A		1	1.1	V
t_{rrHS}	High-side diode reverse recovery time	$I_{out} = 1$ A		30		ns
t_{rrLS}	Low-side diode reverse recovery time	$I_{out} = 1$ A		100		ns

Table 5. Electrical characteristics (continued)

Symbol	Parameter	Test condition	Min.	Typ.	Max.	Unit
Logic inputs and outputs						
V_{IL}	Low logic level input voltage				0.8	V
V_{IH}	High logic level input voltage		2			V
I_{IH}	High logic level input current ⁽⁴⁾	$V_{IN} = 5\text{ V}$			1	μA
I_{IL}	Low logic level input current ⁽⁵⁾	$V_{IN} = 0\text{ V}$	-1			μA
V_{OL}	Low logic level output voltage ⁽⁶⁾	$V_{DD} = 3.3\text{ V}, I_{OL} = 4\text{ mA}$			0.3	V
		$V_{DD} = 5\text{ V}, I_{OL} = 4\text{ mA}$			0.3	
V_{OH}	High logic level output voltage	$V_{DD} = 3.3\text{ V}, I_{OH} = 4\text{ mA}$	2.4			V
		$V_{DD} = 5\text{ V}, I_{OH} = 4\text{ mA}$	4.7			
R_{PU} R_{PD}	CS pull-up and STBY pull-down resistors	$\overline{CS} = \text{GND};$ $\text{STBY}/\text{RST} = 5\text{ V}$	335	430	565	$\text{k}\Omega$
R_{PUDIR}	DIR input pull-up resistance	DIR = GND	60	85	110	$\text{k}\Omega$
I_{logic}	Internal logic supply current	3.3 V V_{REG} externally supplied, internal oscillator		3.7	4.3	mA
$I_{logic,STBY}$	Standby mode internal logic supply current	3.3 V V_{REG} externally supplied		2	2.5	μA
f_{STCK}	Step clock input frequency				2	MHz
Internal oscillator and external oscillator driver						
$f_{osc,i}$	Internal oscillator frequency	$T_j = 25\text{ }^\circ\text{C}, V_{REG} = 3.3\text{ V}$	-3%	16	+3%	MHz
$f_{osc,e}$	Programmable external oscillator frequency		8		32	MHz
$V_{OSCOOUTH}$	OSCOOUT clock source high level voltage	Internal oscillator 3.3 V V_{REG} externally supplied; $I_{OSCOOUT} = 4\text{ mA}$	2.4			V
$V_{OSCOUTL}$	OSCOOUT clock source low level voltage	Internal oscillator 3.3 V V_{REG} externally supplied; $I_{OSCOOUT} = 4\text{ mA}$			0.3	V
$t_{rOSCOOUT}$ $t_{fOSCOOUT}$	OSCOOUT clock source rise and fall time	Internal oscillator			20	ns
t_{extosc}	Internal to external oscillator switching delay			3		ms
t_{intosc}	External to internal oscillator switching delay			1.5		μs
SPI						
$f_{CK,MAX}$	Maximum SPI clock frequency ⁽⁷⁾		5			MHz
t_{rCK} t_{fCK}	SPI clock rise and fall time ⁽⁷⁾	$C_L = 30\text{ pF}$			25	ns
t_{hCK} t_{lCK}	SPI clock high and low time ⁽⁷⁾		75			ns
t_{setCS}	Chip select setup time ⁽⁷⁾		350			ns
t_{holCS}	Chip select hold time ⁽⁷⁾		10			ns

Table 5. Electrical characteristics (continued)

Symbol	Parameter	Test condition	Min.	Typ.	Max.	Unit
t_{disCS}	Deselect time ⁽⁷⁾		800			ns
t_{setSDI}	Data input setup time ⁽⁷⁾		25			ns
t_{holSDI}	Data input hold time ⁽⁷⁾		20			ns
t_{enSDO}	Data output enable time ⁽⁷⁾				38	ns
t_{disSDO}	Data output disable time ⁽⁷⁾				47	ns
t_{vSDO}	Data output valid time ⁽⁷⁾				57	ns
t_{holSDO}	Data output hold time ⁽⁷⁾		37			ns
Current control						
$I_{STEP,max}$	Max. programmable reference current			4		A
$I_{STEP,min}$	Min. programmable reference current			31		mA
Overcurrent protection						
$I_{OCD,MAX}$	Maximum programmable overcurrent detection threshold	OCD_TH = '1111'		6		A
$I_{OCD,MIN}$	Minimum programmable overcurrent detection threshold	OCD_TH = '0000'		0.375		A
$I_{OCD,RES}$	Programmable overcurrent detection threshold resolution			0.375		A
$t_{OCD,Flag}$	OCD to flag signal delay time	$di_{out}/dt = 350A/\mu s$		650	1000	ns
$t_{OCD,SD}$	OCD to shut down delay time	$di_{out}/dt = 350A/\mu s$ POW_SR = '10'		600		μs
Standby						
I_{qSTBY}	Quiescent motor supply current in standby conditions	$V_S = 8 V$		26	34	μA
		$V_S = 36 V$		30	36	
$t_{STBY,min}$	Minimum standby time			10		μs
$t_{logicwu}$	Logic power-on and wake-up time			38	45	μs
t_{cpwu}	Charge pump power-on and wake-up time	Power bridges disabled, $C_p = 10 nF$, $C_{boot} = 220 nF$		650		μs
Internal voltage regulator						
V_{REG}	Voltage regulator output voltage		2.9	3	3.2	V
I_{REG}	Voltage regulator output current				40	mA
$V_{REG,drop}$	Voltage regulator output voltage drop	$I_{REG} = 40 mA$		50		mV
$I_{REG,STBY}$	Voltage regulator standby output current				10	mA
Integrated analog to digital converter						
N_{ADC}	Analog to digital converter resolution			5		bit

Table 5. Electrical characteristics (continued)

Symbol	Parameter	Test condition	Min.	Typ.	Max.	Unit
$V_{\text{ADC,ref}}$	Analog to digital converter reference voltage			V_{REG}		V
f_{S}	Analog to digital converter sampling frequency			$f_{\text{OSC}}/512$		kHz

1. Accuracy depends on oscillator frequency accuracy.
2. Tested at 25 °C in a restricted range and guaranteed by characterization.
3. Rise and fall time depends on motor supply voltage value. Refer to SR_{out} values ([Table 5](#)) in order to evaluate the actual rise and fall time.
4. Not valid for $\overline{\text{STBY/RST}}$ pins which have internal pull-down resistor.
5. Not valid for SW and CS pins which have internal pull-up resistor.
6. $\overline{\text{FLAG}}$ and SYNC open drain outputs included.
7. See [Figure 13: SPI timings diagram](#) for details.

4 Pin connection

Figure 2. HTSSOP28 pin connection (top view)

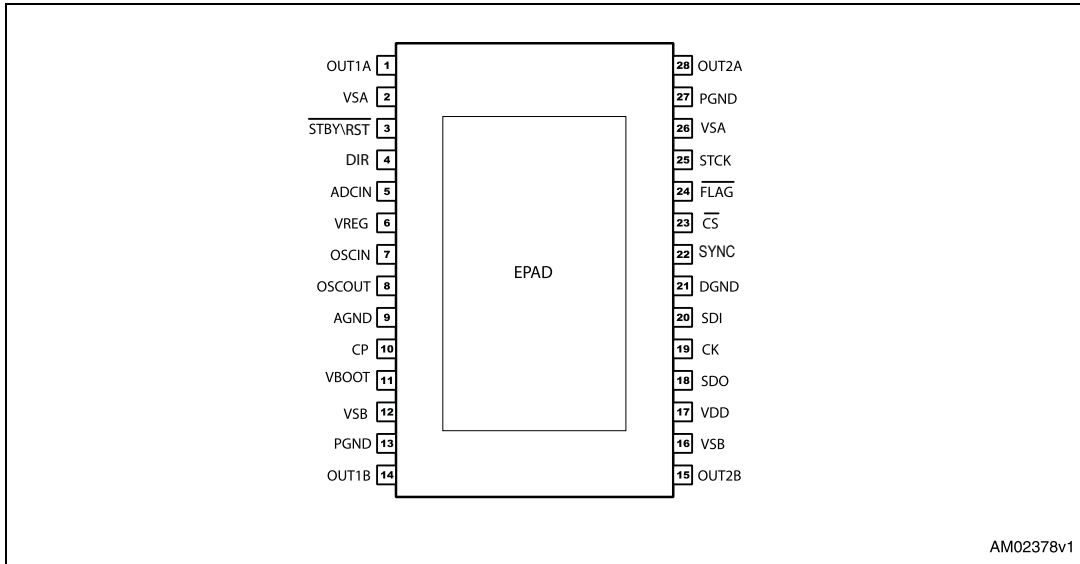
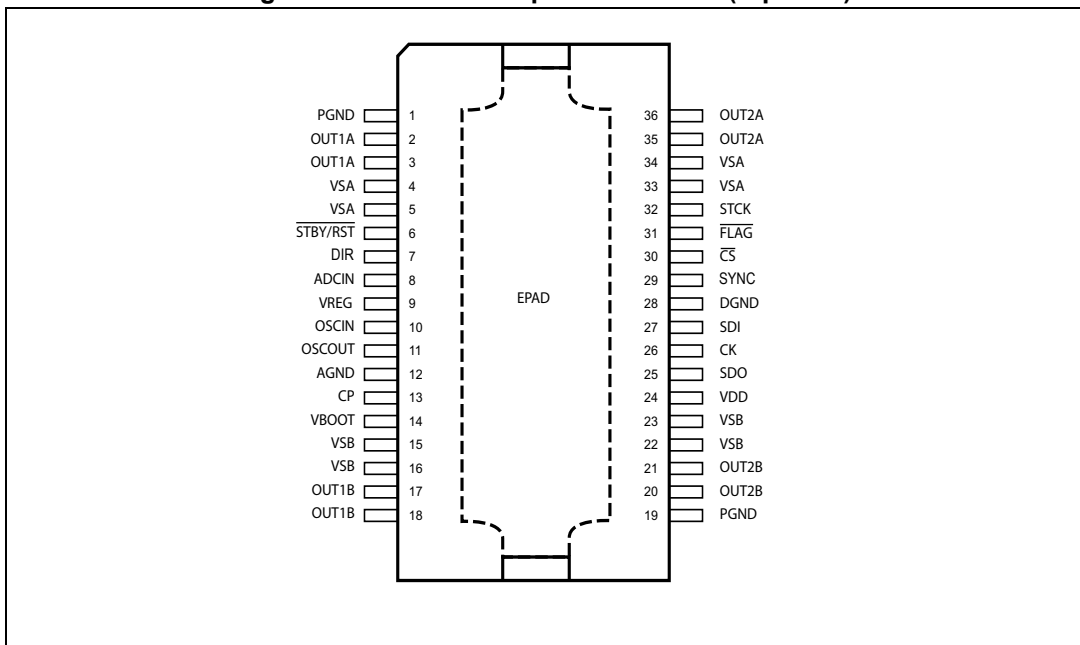


Figure 3. POWERSO36 pin connection (top view)



Pin list

Table 6. Pin description

Number		Name	Type	Function
POWERSO	HTSSOP			
24	17	VDD	Power	Logic outputs supply voltage (pull-up reference)
9	6	VREG	Power	Internal 3 V voltage regulator output and 3.3 V external logic supply
10	7	OSCIN	Analog input	Oscillator pin 1. To connect an external oscillator or clock source. If this pin is unused, it should be left floating.
11	8	OSCOU	Analog output	Oscillator pin 2. To connect an external oscillator. When the internal oscillator is used this pin can supply 2/4/8/16 MHz. If this pin is unused, it should be left floating.
13	10	CP	Output	Charge pump oscillator output
14	11	VBOOT	Supply voltage	Bootstrap voltage needed for driving the high-side power DMOS of both bridges (A and B)
8	5	ADCIN	Analog input	Internal analog to digital converter input
4, 5	2	VSA	Power supply	Full bridge A power supply pin. It must be connected to VSB
33, 34	26			
15, 16	12	VSB	Power supply	Full bridge B power supply pin. It must be connected to VSA
22, 23	16			
1	27	PGND	Ground	Power ground pin
19	13			
2, 3	1	OUT1A	Power output	Full bridge A output 1
35, 36	28	OUT2A	Power output	Full bridge A output 2
17, 18	14	OUT1B	Power output	Full bridge B output 1
20, 21	15	OUT2B	Power output	Full bridge B output 2
12	9	AGND	Ground	Analog ground
7	4	DIR	Logical input	Direction input
28	21	DGND	Ground	Digital ground
29	22	SYNC	Open drain output	Synchronization signal.
25	18	SDO	Logic output	Data output pin for serial interface
27	20	SDI	Logic input	Data input pin for serial interface
26	19	CK	Logic input	Serial interface clock
30	23	$\overline{\text{CS}}$	Logic input	Chip select input pin for serial interface

Table 6. Pin description (continued)

Number		Name	Type	Function
POWERSO	HTSSOP			
31	24	$\overline{\text{FLAG}}$	Open drain output	Status flag pin. An internal open drain transistor can pull the pin to GND when a programmed alarm condition occurs (step loss, OCD, thermal pre-warning or shutdown, UVLO, wrong command, non performable command)
6	3	$\overline{\text{STBYRST}}$	Logic input	Standby and reset pin. LOW logic level resets the logic and puts the device into standby mode. If not used, should be connected to VDD
32	25	STCK	Logic input	Step clock input
	EPAD	Exposed pad	Ground	Internally connected to PGND, AGND and DGND pins

6 Functional description

6.1 Device power-up

At power-up end, the device state is the following:

- Registers are set to default
- Internal logic is driven by internal oscillator and a 2 MHz clock is provided by the OSCOUT pin
- Bridges are disabled (High Z)
- UVLO bit in STATUS register is forced low (fail condition)
- FLAG output is forced low.

During power-up the device is under reset (all logic IO disabled and power bridges in high impedance state) until the following conditions are satisfied:

- V_S is greater than V_{StHOn}
- V_{REG} is greater than $V_{REGth} = 2.8$ V typical
- Internal oscillator is operative.

6.2 Logic I/O

Pins \overline{CS} , CK, SDI, STCK, DIR and $\overline{STBY}\overline{RST}$ are TTL/CMOS 3.3 V - 5 V compatible logic inputs.

Pin SDO is a TTL/CMOS compatible logic output. VDD pin voltage sets the logic output pin voltage range; when it is connected to VREG or 3.3 V external supply voltage, the output is 3.3 V compatible. When VDD is connected to a 5 V supply voltage, SDO is 5 V compatible.

VDD is not internally connected to V_{REG} ; an external connection is always needed.

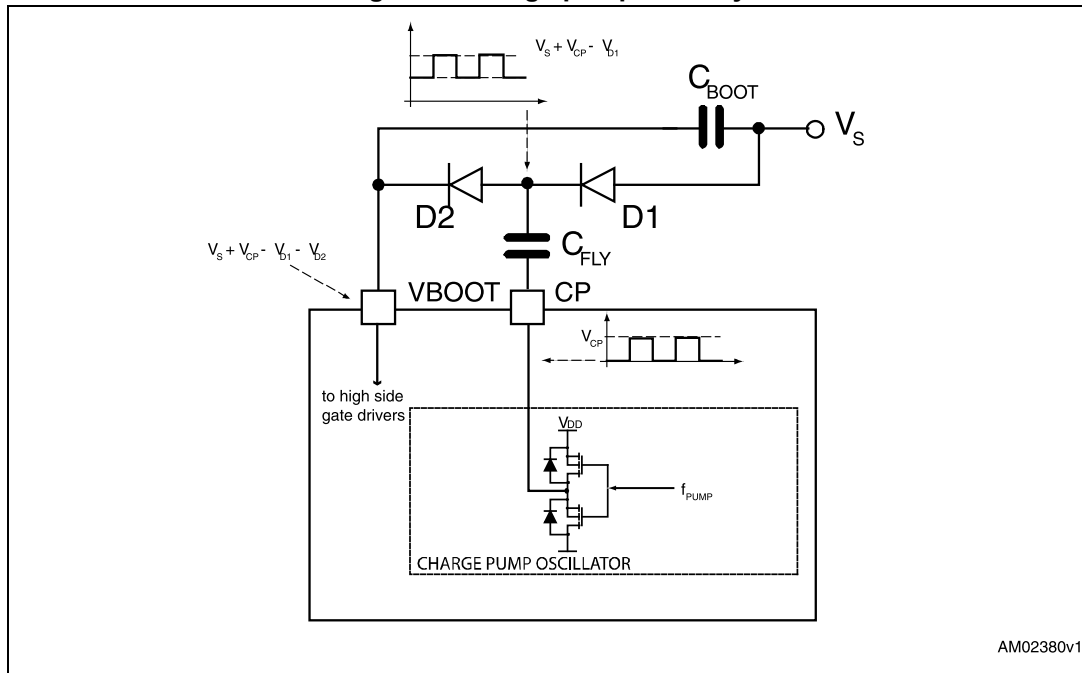
A 10 μ F capacitor should be connected to the VDD pin in order to obtain a proper operation.

Pins \overline{FLAG} and SYNC are open drain outputs.

6.3 Charge pump

To ensure the correct driving of the high-side integrated MOSFETs, a voltage higher than the motor power supply voltage needs to be applied to the VBOOT pin. The high-side gate driver supply voltage VBOOT is obtained through an oscillator and a few external components realizing a charge pump (see [Figure 5](#)).

Figure 5. Charge pump circuitry

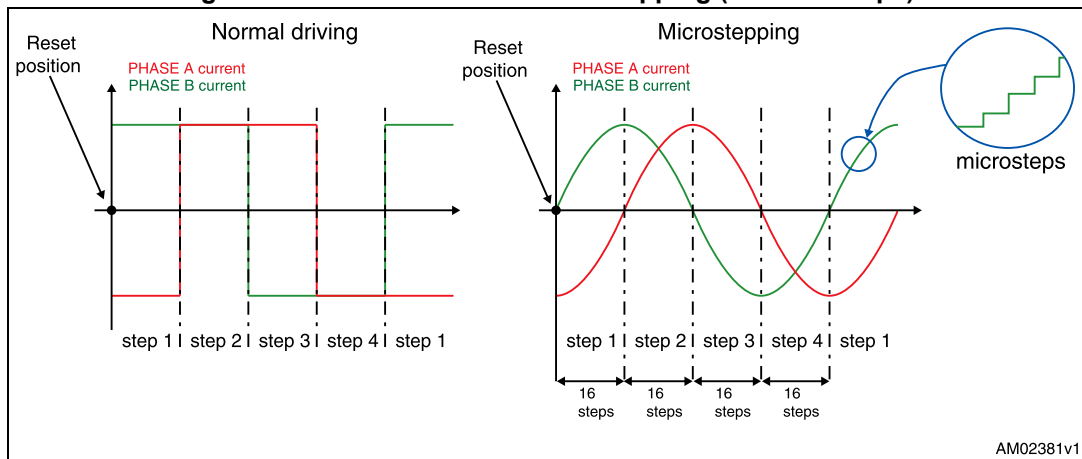


6.4 Microstepping

The driver is able to divide the single step into up to 16 microsteps. Stepping mode can be programmed by STEP_SEL parameter in STEP_MODE register (see [Table 19 on page 38](#)).

Step mode can only be changed when bridges are disabled. Every time the step mode is changed, the electrical position (i.e. the point of microstepping sinewave that is generated) is reset to the first microstep and the absolute position counter value (see [Section 6.5](#)) becomes meaningless.

Figure 6. Normal mode and microstepping (16 microsteps)



6.5 Absolute position counter

An internal 22 bit register (ABS_POS) takes memory of motor motion according to the selected step mode; the stored value unit is equal to the selected step mode (full, half, quarter, etc.). The position range is from -2^{21} to $+2^{21}-1$ (μ) steps (see [Section 9.1.1 on page 34](#)).

6.6 Step sequence control

The motor movement is defined by the step clock signal applied to the STCK pin. At each step clock rising edge, the motor is moved by one microstep in the direction selected by DIR input (high for forward direction and low for reverse direction) and absolute position is consequently updated.

6.7 Enable and disable commands

The power stage of the device can be enabled and disabled through the respective SPI commands.

The enable command turns on the power outputs and starts the current control algorithm. The phase currents are controlled according to present EL_POS value. If a fault condition requires the power stage to be disabled, the command is ignored.

The disable command immediately forces the power outputs in a high impedance condition.

6.8 Internal oscillator and oscillator driver

The control logic clock can be supplied by the internal 16 MHz oscillator, an external oscillator (crystal or ceramic resonator) or a direct clock signal.

These working modes can be selected by EXT_CLK and OSC_SEL parameters in the CONFIG register (see [Table 23 on page 40](#)).

At power-up the device starts using the internal oscillator and provides a 2 MHz clock signal on the OSCOUT pin.

Attention: In any case, before changing clock source configuration, a hardware reset is mandatory. Switching to different clock configurations during operation could cause unexpected behavior.

6.8.1 Internal oscillator

In this mode the internal oscillator is activated and OSCIN is unused. If OSCOUT clock source is enabled, the OSCOUT pin provides a 2, 4, 8 or 16 MHz clock signal (according to OSC_SEL value); otherwise it is unused (see [Figure 7](#)).

6.8.2 External clock source

Two types of external clock source can be selected: crystal/ceramic resonator or direct clock source. Four programmable clock frequencies are available for each external clock source: 8, 16, 24 and 32 MHz.

When an external crystal/resonator is selected, the OSCIN and OSCOUT pins are used to drive the crystal/resonator (see [Figure 7](#)). The crystal/resonator and load capacitors (CL) must be placed as close as possible to the pins. Refer to [Table 8](#) for the choice of the load capacitor value according to the external oscillator frequency.

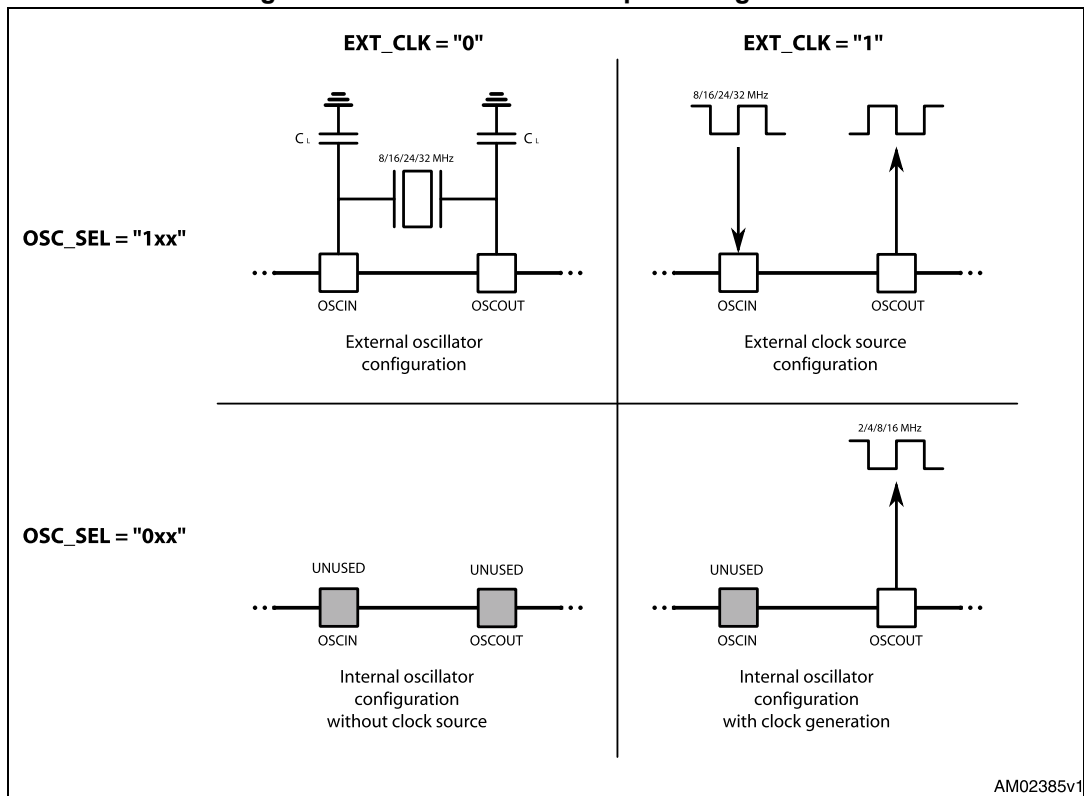
Table 8. CL values according to external oscillator frequency

Crystal/resonator freq. ⁽¹⁾	CL ⁽²⁾
8 MHz	25 pF (ESR _{max} = 80 Ω)
16 MHz	18 pF (ESR _{max} = 50 Ω)
24 MHz	15 pF (ESR _{max} = 40 Ω)
32 MHz	10 pF (ESR _{max} = 40 Ω)

1. First harmonic resonance frequency.
2. Lower ESR value allows driving greater load capacitors.

If a direct clock source is used, it must be connected to the OSCIN pin and the OSCOUT pin supplies the inverted OSCIN signal (see [Figure 7](#)).

Figure 7. OSCIN and OSCOUT pin configurations



Note: When OSCIN is UNUSED, it should be left floating.
When OSCOUT is UNUSED it should be left floating.

6.9 Overcurrent detection

When the current in any of the power MOSFETs exceeds a programmed overcurrent threshold, the STATUS register OCD flag is forced low until the overcurrent event has expired and a GetStatus command is sent to the IC (see [Section 9.1.13 on page 41](#) and [Section 9.1.9 on page 37](#)). Overcurrent event expires when all the power MOSFET currents fall below the programmed overcurrent threshold.

The overcurrent threshold can be programmed through the OCD_TH register in one of 16 available values ranging from 375 mA to 6 A with steps of 375 mA (see [Section 9.1.9 on page 37](#)).

It is possible to set whether or not an overcurrent event causes the MOSFET turn-off (bridges in high impedance status) acting on the OC_SD bit in the CONFIG register (see [Section 9.1.12 on page 39](#)). The OCD flag in the STATUS register is raised anyway (see [Table 28 on page 41](#), [Section 9.1.13](#)).

When the IC outputs are turned off by an OCD event, they cannot be turned on until the OCD flag is released by a GetStatus command.

Attention: The overcurrent shutdown is a critical protection feature. It is not recommended to disable it.

6.10 Undervoltage lockout (UVLO)

The L6474 provides a motor supply UVLO protection. When the motor supply voltage falls below the VSthOff threshold voltage, the STATUS register UVLO flag is forced low. When a GetStatus command is sent to the IC, and the undervoltage condition has expired, the UVLO flag is released (see [Section 9.1.13 on page 41](#) and [Section 9.2.7 on page 46](#)). Undervoltage condition expires when the motor supply voltage goes over the VSthOn threshold voltage. When the device is in undervoltage condition no motion can be performed. The UVLO flag is forced low by logic reset (power-up included) even if no UVLO condition is present.

6.11 Thermal warning and thermal shutdown

An internal sensor allows the L6474 to detect when the device internal temperature exceeds a thermal warning or an overtemperature threshold.

When the thermal warning threshold ($T_{j(WRN)}$) is reached, the TH_WRN bit in the STATUS register is forced low (see [Section 9.1.13](#)) until the temperature decreases below $T_{j(WRN)}$ and a GetStatus command is sent to the IC (see [Section 9.1.13](#) and [Section 9.2.7](#)).

When the thermal shutdown threshold ($T_{j(OFF)}$) is reached, the device goes into thermal shutdown condition: the TH_SD bit in the STATUS register is forced low, the power bridges are disabled, bridges in high impedance state and the HiZ bit in the STATUS register are raised (see [Section 9.1.13](#)).

Thermal shutdown condition only expires when the temperature goes below the thermal warning threshold ($T_{j(WRN)}$).

On exiting thermal shutdown condition, the bridges are still disabled (HiZ flag high).

6.12 Reset and standby

The device can be reset and put into standby mode through a dedicated pin. When the STBY\RST pin is driven low, the bridges are left open (High Z state), the internal charge pump is stopped, the SPI interface and control logic are disabled, and the internal 3 V voltage regulator maximum output current is reduced to $I_{REG,STBY}$; as a result the L6474 heavily reduces the power consumption. At the same time the register values are reset to default and all protection functions are disabled. STBY\RST input must be forced low at least for $t_{STBY, min.}$ in order to ensure the complete switch to standby mode.

On exiting standby mode, as well as for IC power-up, a delay of up to $t_{logicwu}$ must be given before applying a new command to allow proper oscillator and logic startup and a delay of up to t_{cpwu} must be given to allow the charge pump startup.

On exiting standby mode the bridges are disabled (HiZ flag high).

Attention: It is not recommended to reset the device when outputs are active. The device should be switched to high impedance state before being reset.

6.13 Programmable DMOS slew rate, deadtime and blanking-time

Using the POW_SR parameter in the CONFIG register, it is possible to set the commutation speed of the power bridges output (see [Table 25 on page 41](#)).

6.14 Integrated analog to digital converter

The L6474 integrates a NADC bit ramp-compare analog to digital converter with a reference voltage equal to VREG. The analog to digital converter input is available through the ADCIN pin and the conversion result is available in the ADC_OUT register (see [Section 9.1.13 on page 41](#)). Sampling frequency is equal to the clock frequency divided by 512.

The ADC_OUT value can be used for the torque regulation or is at the user's disposal.

6.15 Internal voltage regulator

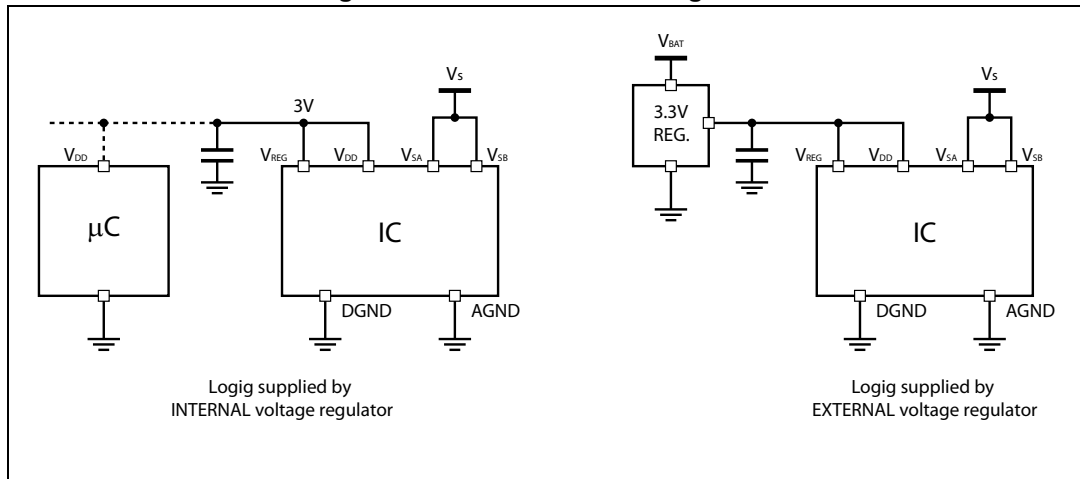
The L6474 integrates a voltage regulator which generates a 3 V voltage starting from the motor power supply (VSA and VSB). In order to make the voltage regulator stable, at least 22 μF should be connected between the VREG pin and ground (suggested value is 47 μF).

The internal voltage regulator can be used to supply the VDD pin in order to make the device digital output range 3.3 V compatible ([Figure 8](#)). A digital output range 5 V compatible can be obtained connecting the VDD pin to an external 5 V voltage source. In both cases, a 10 μF capacitance should be connected to the VDD pin in order to obtain a correct operation.

The internal voltage regulator is able to supply a current up to $I_{\text{REG,MAX}}$, internal logic consumption included (I_{logic}). When the device is in standby mode the maximum current that can be supplied is $I_{\text{REG, STBY}}$, internal consumption included ($I_{\text{logic, STBY}}$).

If an external 3.3 V regulated voltage is available, it can be applied to the VREG pin in order to supply all the internal logic and avoid power dissipation of the internal 3 V voltage regulator ([Figure 8](#)). The external voltage regulator should never sink current from the VREG pin.

Figure 8. Internal 3 V linear regulator



6.16 SYNC pin

This pin works as a synchronization signal: the output status is an echo of one of the bits of the EL_POS register according to a SYNC_SEL and STEP_SEL parameter combination (see [Section 9.1.10 on page 38](#)).

6.17 FLAG pin

By default, an internal open drain transistor pulls the FLAG pin to ground when at least one of the following conditions occurs:

- Power-up or standby/reset exit
- Overcurrent detection
- Thermal warning
- Thermal shutdown
- UVLO
- Switch turn-on event
- Wrong command
- Non performable command.

It is possible to mask one or more alarm conditions by programming the ALARM_EN register (see [Section 9.1.11 on page 39, Table 21](#)). If the corresponding bit of the ALARM_EN register is low, the alarm condition is masked and it does not cause a FLAG pin transition; all other actions imposed by alarm conditions are performed anyway. In case of daisy chain configuration, FLAG pins of different ICs can be or-wired to save host controller GPIOs.

7 Phase current control

The L6474 performs a peak current control technique described in detail in [Section 7.1](#). Furthermore, the L6474 automatically selects the best decay mode in order to follow the current profile.

Current control algorithm parameters can be programmed by T_FAST, TON_MIN, TOFF_MIN and CONFIG registers (see [Section 9.1.5 on page 35](#), [Section 9.1.6 on page 35](#), [Section 9.1.7 on page 36](#) and [Section 9.1.12 on page 39](#) for details).

The current amplitude can be set through the TVAL register (see [Section 9.1.4 on page 34](#)). The output current amplitude can also be regulated by ADCIN voltage value (see [Section 6.14](#)).

Each bridge is driven by an independent control system that shares with the other bridge the control parameters only.

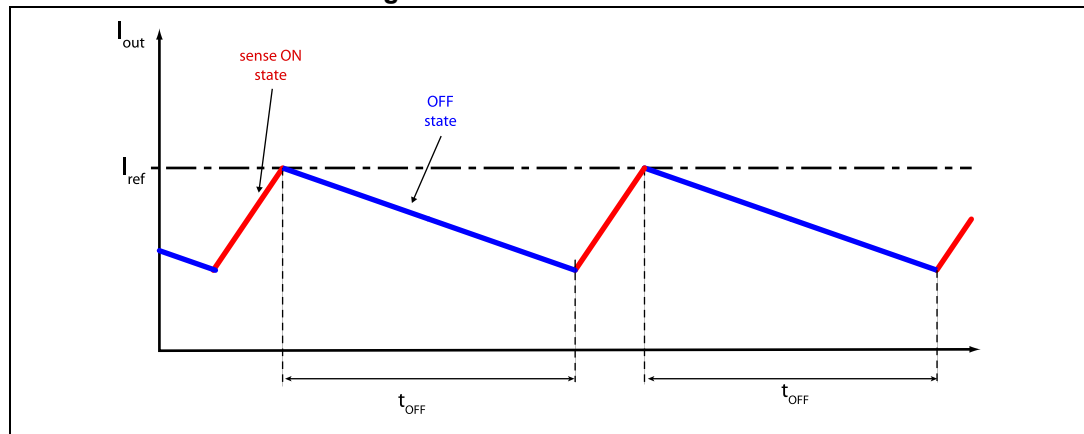
7.1 Peak current control

The L6474 implements a peak current control algorithm with fixed OFF time. The control cycle begins in the ON state: the opposite high-side DMOS low-side DMOS of the power bridges are turned on according to the required current direction. In this way, the phase current is increased according to the electrical model of the motor.

When the target current value is reached (this value is internally generated according to the present value of the EL_POS register), the device switches to the OFF state in order to make the phase current decay. During the OFF state both slow and fast decay can be performed; the better decay combination is automatically selected by L6472 as described in [Section 7.2](#).

The t_{OFF} value sets through the TOFF parameter of the CONFIG register and the value of the TOFF_MIN register. If TOFF is greater than TOFF_MIN, it defines the OFF time of the system. Otherwise the TOFF_MIN value is used.

Figure 9. Peak current control



7.2 Auto-adjusted decay mode

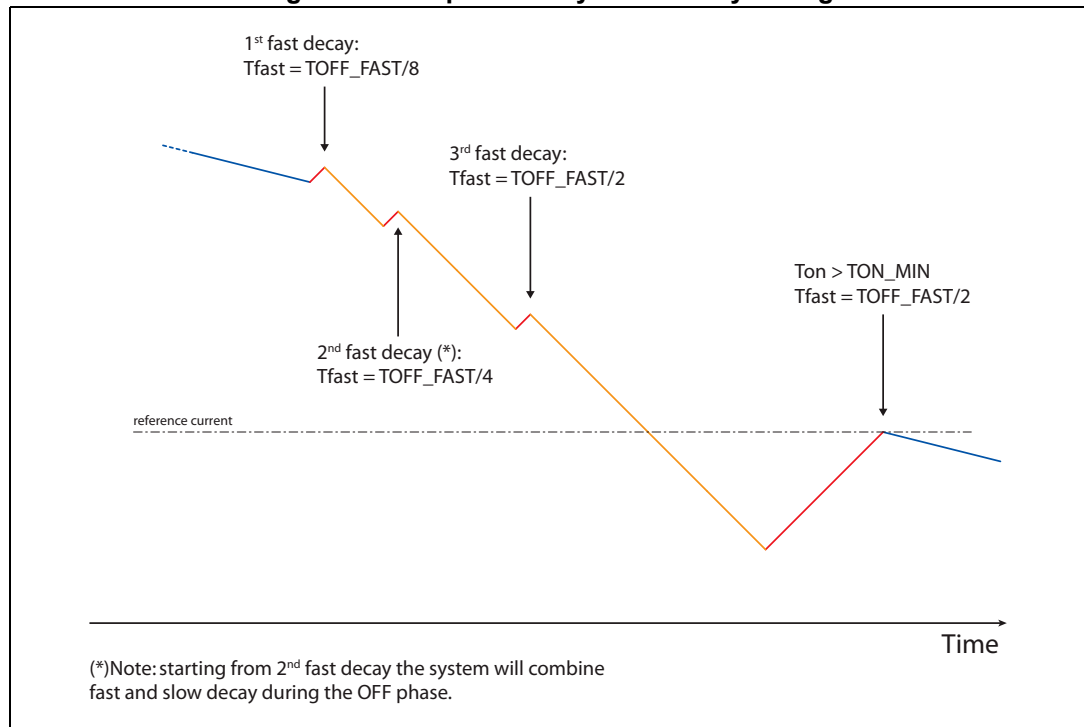
During the current control, the device automatically selects the best decay mode in order to follow the current profile reducing the current ripple.

At reset, the OFF time is performed by turning on both the low-side MOS of the power stage and the current recirculates in the lower half of the bridge (slow decay).

If, during a PWM cycle, the target current threshold is reached in a time shorter than the TON_MIN value, a fast decay of TOFF_FAST/8 (T_FAST register) is immediately performed, turning on the opposite MOS of both half bridges and the current recirculates back to the supply bus.

After this time, the bridge returns to the ON state: if the time needed to reach the target current value is still less than TON_MIN, a new fast decay is performed with a period twice the previous one. Otherwise, the normal control sequence is followed as described in [Section 7.1](#). The maximum fast decay duration is set by TOFF_FAST value.

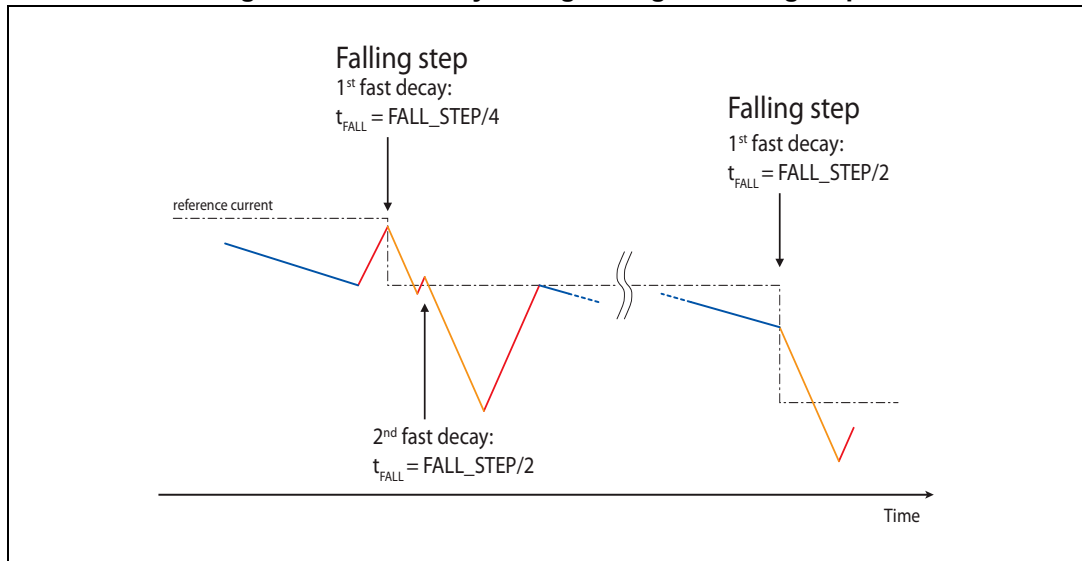
Figure 10. Adaptive decay - fast decay tuning



When two or more fast decays are performed with present target current, the control system adds a fast decay at the end of every OFF time, keeping the OFF state duration constant (t_{OFF} is split into $t_{OFF,SLOW}$ and $t_{OFF,FAST}$). When the current threshold is increased by a microstep change (rising step), the system returns to normal decay mode (slow decay only) and the t_{FAST} value is halved.

Reaching the current sinewave zero crossing causes the current control system to return to the reset state.

Figure 12. Fast decay tuning during the falling steps



7.4 Torque regulation (output current amplitude regulation)

The output current amplitude can be regulated in two ways: writing the TVAL register or varying the ADCIN voltage value.

The EN_TQREG bit (CONFIG register) sets the torque regulation method. If this bit is high, ADC_OUT prevalue is used to regulate output current amplitude (see [Section 9.1.8 on page 37](#)). Otherwise the internal analog to digital converter is at the user's disposal and the output current amplitude is managed by the TVAL register (see [Section 9.1.4 on page 34](#)).

The voltage applied to the ADCIN pin is sampled at f_s frequency and converted in an NADC bit digital signal. The analog to digital conversion result is available in the ADC_OUT register.

8 Serial interface

The integrated 8-bit serial peripheral interface (SPI) is used for a synchronous serial communication between the host microprocessor (always master) and the L6474 (always slave).

The SPI uses chip select (\overline{CS}), serial clock (CK), serial data input (SDI) and serial data output (SDO) pins. When \overline{CS} is high, the device is unselected and the SDO line is inactive (high-impedance).

The communication starts when \overline{CS} is forced low. The CK line is used for synchronization of data communication.

All commands and data bytes are shifted into the device through the SDI input, most significant bit first. The SDI is sampled on the rising edges of the CK.

All output data bytes are shifted out of the device through the SDO output, most significant bit first. The SDO is latched on the falling edges of the CK. When a return value from the device is not available, an all zero byte is sent.

After each byte transmission, the \overline{CS} input must be raised and be kept high for at least t_{disCS} in order to allow the device to decode the received command and put the return value into the shift register.

All timing requirements are shown in [Figure 13](#) (see respective [Section 3: Electrical characteristics on page 10](#) for values).

Multiple devices can be connected in a daisy chain configuration, as shown in [Figure 14](#).

Figure 13. SPI timings diagram

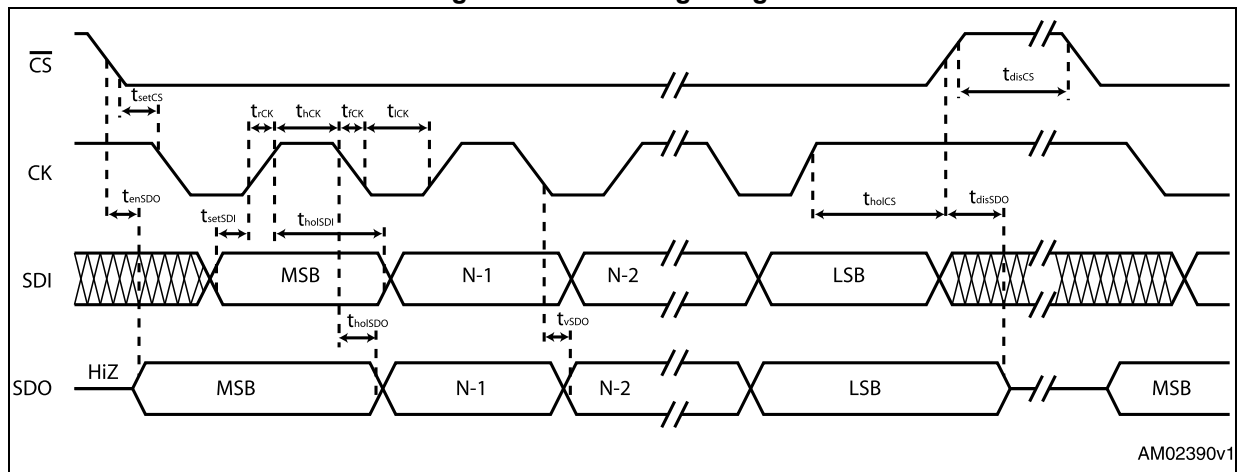
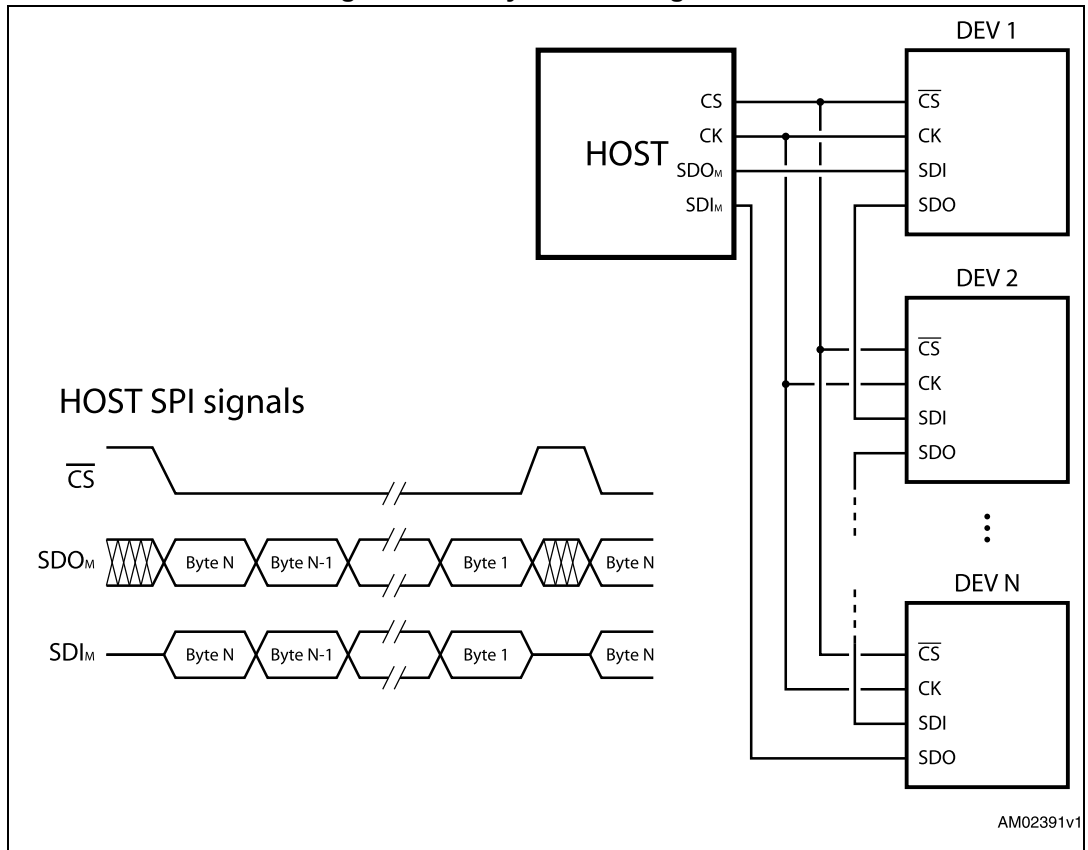


Figure 14. Daisy chain configuration



9 Programming manual

9.1 Registers and flags description

[Table 9](#) is a map of the user registers available (detailed description in respective paragraphs):

Table 9. Register map

Address [Hex]	Register name	Register function	Len. [bit]	Reset Hex	Reset value	Remarks ⁽¹⁾
h01	ABS_POS	Current position	22	000000	0	R, WR
h02	EL_POS	Electrical position	9	000	0	R, WR
h03	MARK	Mark position	22	000000	0	R, WR
h04	RESERVED	Reserved address	24			
h05	RESERVED	Reserved address	16			
h06	RESERVED	Reserved address	16			
h07	RESERVED	Reserved address	16			
h08	RESERVED	Reserved address	16			
h15	RESERVED	Reserved address	16			R, WR
h09	TVAL	Reference current	7	29	1.3125 A	R, WR
h0A	RESERVED	Reserved address	8			
h0B	RESERVED	Reserved address	8			
h0C	RESERVED	Reserved address	8			
h0D	RESERVED	Reserved address	16			
h0E	T_FAST	Fast decay/fall step time	8	19	1 μ s / 5 μ s	R, WH
h0F	TON_MIN	Minimum ON time	7	29	20.5 μ s	R, WH
h10	TOFF_MIN	Minimum OFF time	7	29	20.5 μ s	R, WH
h11	RESERVED	Reserved address	8			
h12	ADC_OUT	ADC output	5	XX ⁽²⁾		R
h13	OCD_TH	OCD threshold	4	8	3.38A	R, WR
h14	RESERVED	Reserved address	8			
h16	STEP_MODE	Step mode	8	7	16 microsteps, no synch	R, WH
h17	ALARM_EN	Alarms enables	8	FF	All alarms enabled	R, WR
h18	CONFIG	IC configuration	16	2E88	Internal oscillator, 2 MHz OSCOUT clock, supply voltage compensation disabled, overcurrent shutdown enabled, slew rate = 290 V/ μ s TOFF = 40 μ s	R, WH

Table 9. Register map (continued)

Address [Hex]	Register name	Register function	Len. [bit]	Reset Hex	Reset value	Remarks ⁽¹⁾
h19	STATUS	Status	16	XXXX ⁽²⁾	High impedance state, UVLO/reset flag set.	R
h1A	RESERVED	Reserved address				
h1B	RESERVED	Reserved address				

1. R: Readable, WH: writable only when outputs are in high impedance, WR: always writable.
2. According to startup conditions.

9.1.1 ABS_POS

The ABS_POS register contains the current motor absolute position in agreement to the selected step mode; the stored value unit is equal to the selected step mode (full, half, quarter, etc.). The value is in 2's complement format and it ranges from -2^{21} to $+2^{21}-1$.

At power-on the register is initialized to "0" (HOME position).

9.1.2 EL_POS

The EL_POS register contains the current electrical position of the motor. The two MSbits indicate the current step and the other bits indicate the current microstep (expressed in step/128) within the step.

Table 10. EL_POS register

Bit 8	Bit 7	Bit 6	Bit 5	Bit 4	Bit 3	Bit 2	Bit 1	Bit 0
STEP			MICROSTEP					

When the EL_POS register is written by the user the new electrical position is instantly imposed. When the EL_POS register is written its value must be masked in order to match with the step mode selected in the STEP_MODE register in order to avoid a wrong microstep value generation (see [Section 9.1.10 on page 38](#)); otherwise the resulting microstep sequence is incorrect.

Any attempt to write the register when the outputs are enabled causes the command to be ignored and the NOTPERF_CMD flag to rise (see [Section 9.1.13 on page 41](#)).

9.1.3 MARK

The MARK register contains an absolute position called MARK, according to the selected step mode; the stored value unit is equal to the selected step mode (full, half, quarter, etc.).

It is in 2's complement format and it ranges from -2^{21} to $+2^{21}-1$.

9.1.4 TVAL

The TVAL register contains the current value that is assigned to the torque regulation DAC.

The available range is from 31.25 mA to 4 A with a resolution of 31.25 mA, as shown in [Table 2 on page 8](#).

Table 11. Torque regulation register

TVAL [6...0]							Output current amplitude
0	0	0	0	0	0	0	31.25 mA
0	0	0	0	0	0	1	62.5 mA
⋮	⋮	⋮	⋮	⋮	⋮	⋮	⋮
1	1	1	1	1	1	0	3.969 A
1	1	1	1	1	1	1	4 A

9.1.5 T_FAST

The T_FAST register contains the maximum fast decay time (TOFF_FAST) and the maximum fall step time (FALL_STEP) used by the current control system (see [Section 7.2 on page 28](#) and [Section 7.3 on page 29](#) for details):

Table 12. T_FAST register

Bit 7	Bit 6	Bit 5	Bit 4	Bit 3	Bit 2	Bit 1	Bit 0
TOFF_FAST				FAST_STEP			

The available range for both parameters is from 2 μ s to 32 μ s.

Table 13. Maximum fast decay times

TOFF_FAST [3...0] FAST_STEP[3...0]				Fast decay time
0	0	0	0	2 μ s
0	0	0	1	4 μ s
⋮	⋮	⋮	⋮	⋮
1	1	1	0	28 μ s
1	1	1	1	32 μ s

Any attempt to write to the register when the outputs are enabled causes the command to be ignored and the NOTPERF_CMD to rise (see [Section 9.1.13 on page 41](#)).

9.1.6 TON_MIN

The TON_MIN register contains the minimum ON time value used by the current control system (see [Section 7.2](#)).

The available range for both parameters is from 0.5 μ s to 64 μ s.

Table 14. Minimum ON time

							Time
0	0	0	0	0	0	0	0.5 μ s
0	0	0	0	0	0	1	1 μ s
⋮	⋮	⋮	⋮	⋮	⋮	⋮	⋮
1	1	1	1	1	1	0	63.5 μ s
1	1	1	1	1	1	1	64 μ s

Any attempt to write to the register when the outputs are enabled causes the command to be ignored and the NOTPERF_CMD to rise (see [Section 9.1.13 on page 41](#)).

9.1.7 TOFF_MIN

The TOFF_MIN register contains the minimum OFF time value used by the current control system (see [Section 7.1 on page 27](#) for details). This parameter imposes the OFF time of the current control system only if its value is greater than the TSW one.

The available range for both parameters is from 0.5 μ s to 64 μ s.

Table 15. Minimum OFF time

							Time
0	0	0	0	0	0	0	0.5 μ s
0	0	0	0	0	0	1	1 μ s
⋮	⋮	⋮	⋮	⋮	⋮	⋮	⋮
1	1	1	1	1	1	0	63.5 μ s
1	1	1	1	1	1	1	64 μ s

Any attempt to write to the register when the outputs are enabled causes the command to be ignored and the NOTPERF_CMD to rise (see [Section 9.1.13](#)).

9.1.8 ADC_OUT

The ADC_OUT register contains the result of the analog to digital conversion of the ADCIN pin voltage.

Any attempt to write to the register causes the command to be ignored and the NOTPERF_CMD flag to rise (see [Section 9.1.13 on page 41](#)).

Table 16. ADC_OUT value and torque regulation feature

VADCIN/ VREG	ADC_OUT [4...0]					Output current amplitude
0	0	0	0	0	0	125 mA
1/32	0	0	0	0	1	250 mA
⋮	⋮	⋮	⋮	⋮	⋮	⋮
30/32	1	1	1	1	0	3.875 A
31/32	1	1	1	1	1	4 A

9.1.9 OCD_TH

The OCD_TH register contains the overcurrent threshold value (see [Section 6.9 on page 23](#) for details). The available range is from 375 mA to 6 A, steps of 375 mA as shown in [Table 17](#).

Table 17. Overcurrent detection threshold

OCD_TH [3...0]				Overcurrent detection threshold
0	0	0	0	375 mA
0	0	0	1	750 mA
⋮	⋮	⋮	⋮	⋮
1	1	1	0	5.625 A
1	1	1	1	6 A

9.1.10 STEP_MODE

The STEP_MODE register has the following structure:

Table 18. STEP_MODE register

Bit 7	Bit 6	Bit 5	Bit 4	Bit 3	Bit 2	Bit 1	Bit 0
1	SYNC_SEL			1 ⁽¹⁾	STEP_SEL		

1. When the register is written this bit should be set to 1.

The STEP_SEL parameter selects one of five possible stepping modes:

Table 19. Step mode selection

STEP_SEL[2...0]			Step mode
0	0	0	Full step
0	0	1	Half step
0	1	0	1/4 microstep
0	1	1	1/8 microstep
1	X	X	1/16 microstep

Every time the step mode is changed, the electrical position (i.e. the point of microstepping sinewave that is generated) is reset to the first microstep.

Warning: Every time STEP_SEL is changed the value in ABS_POS register loses meaning and should be reset.

Any attempt to write the register when the outputs are enabled causes the command to be ignored and the NOTPERF_CMD flag to rise (see [Section 9.1.13 on page 41](#)).

The SYNC output provides a synchronization signal according to SYNC_SEL parameter.

The synchronization signal is obtained starting from electrical position information (EL_POS register) according to [Table 10 on page 34](#):

Table 20. SYNC signal source

SYNC_SEL[2...0]			Source
0	0	0	EL_POS [7]
0	0	1	EL_POS [6]
0	1	0	EL_POS [5]
0	1	1	EL_POS [4]
1	0	0	EL_POS [3]
1	0	1	UNUSED ⁽¹⁾
1	1	0	UNUSED ⁽¹⁾
1	1	1	UNUSED ⁽¹⁾

1. When this value is selected the BUSY output is forced low.

9.1.11 ALARM_EN

The ALARM_EN register allows to select which alarm signals are used to generate the FLAG output. If the respective bit of the ALARM_EN register is set high, the alarm condition forces the FLAG pin output down.

Table 21. ALARM_EN register

ALARM_EN bit	Alarm condition
0 (LSB)	Overcurrent
1	Thermal shutdown
2	Thermal warning
3	Undervoltage
4	RESERVED
5	RESERVED
6	Switch turn-on event
7 (MSB)	Wrong or not performable command

9.1.12 CONFIG

The CONFIG register has the following structure:

Table 22. CONFIG register

Bit 15	Bit 14	Bit 13	Bit 12	Bit 11	Bit 10	Bit 9	Bit 8
0	TOFF					POW_SR	
Bit 7	Bit 6	Bit 5	Bit 4	Bit 3	Bit 2	Bit 1	Bit 0
OC_SD	RESERVED	EN_TQREG	0	EXT_CLK	OSC_SEL		

The OSC_SEL and EXT_CLK bits set the system clock source:

Table 23. Oscillator management

EXT_CLK	OSC_SEL[2...0]			Clock source	OSCIN	OSCOU
0	0	0	0	Internal oscillator: 16 MHz	Unused	Unused
0	0	0	1			
0	0	1	0			
0	0	1	1			
1	0	0	0	Internal oscillator: 16 MHz	Unused	Supplies a 2 MHz clock
1	0	0	1	Internal oscillator: 16 MHz	Unused	Supplies a 4 MHz clock
1	0	1	0	Internal oscillator: 16 MHz	Unused	Supplies a 8 MHz clock
1	0	1	1	Internal oscillator: 16 MHz	Unused	Supplies a 16 MHz clock
0	1	0	0	External crystal or resonator: 8 MHz	Crystal/resonator driving	Crystal/resonator driving
0	1	0	1	External crystal or resonator: 16 MHz	Crystal/resonator driving	Crystal/resonator driving
0	1	1	0	External crystal or resonator: 24 MHz	Crystal/resonator driving	Crystal/resonator driving
0	1	1	1	External crystal or resonator: 32 MHz	Crystal/resonator driving	Crystal/resonator driving
1	1	0	0	Ext. clock source: 8 MHz (Crystal/resonator driver disabled)	Clock source	Supplies inverted OSCIN signal
1	1	0	1	Ext. clock source: 16 MHz (Crystal/resonator driver disabled)	Clock source	Supplies inverted OSCIN signal
1	1	1	0	Ext. clock source: 24 MHz (Crystal/resonator driver disabled)	Clock source	Supplies inverted OSCIN signal
1	1	1	1	Ext. clock source: 32 MHz (Crystal/resonator driver disabled)	Clock source	Supplies inverted OSCIN signal

The OC_SD bit sets whether or not an overcurrent event causes the bridges to turn off; the OCD flag in the status register is forced low anyway:

Table 24. Overcurrent event

OC_SD	Overcurrent event
1	Bridges shut down
0	Bridges do not shut down

The POW_SR bits set the slew rate value of power bridge output:

Table 25. Programmable power bridge output slew rate values

POW_SR [1...0]		Output slew rate (1) [V/ μ s] ⁽¹⁾
0	0	320
0	1	75
1	0	110
1	1	260

1. See S_{Rout_r} and S_{Rout_f} parameters in [Table 5: Electrical characteristics on page 10](#) for details.

The TQREG bit sets if the torque regulation (see [Section 7.4 on page 30](#)) is performed through the ADCIN voltage (external) or TVAL register (internal):

Table 26. External torque regulation enable

TQREG	External torque regulation enable
0	Internal registers
1	ADC input

The TOFF time is used by current control system. If its value is lower than the TOFF_MIN one, the OFF time is equal to TOFF_MIN.

Table 27. OFF time

TOFF [4...0]					OFF time
0	0	0	0	0	4 μ s
0	0	0	0	1	4 μ s
0	0	0	1	0	8 μ s
⋮	⋮	⋮	⋮	⋮	⋮
1	1	1	1	1	124 μ s

Any attempt to write the CONFIG register when the outputs are enabled causes the command to be ignored and the NOTPERF_CMD flag to rise (see [Section 9.1.13](#)).

9.1.13 STATUS

Table 28. STATUS register

Bit 15	Bit 14	Bit 13	Bit 12	Bit 11	Bit 10	Bit 9	Bit 8
1	1	1	OCD	TH_SD	TH_WRN	UVLO	WRONG_CMD
Bit 7	Bit 6	Bit 5	Bit 4	Bit 3	Bit 2	Bit 1	Bit 0
NOTPERF_CMD	0	0	DIR	0	0	1	HiZ

When HiZ flag is high, it indicates that the bridges are in high impedance state. Enable command makes the device exit from High Z state unless error flags forcing a High Z state are active.

The UVLO flag is active low and is set by an undervoltage lockout or reset events (power-up included). The TH_WRN, TH_SD, OCD flags are active low and indicate, respectively, thermal warning, thermal shutdown and overcurrent detection events.

The NOTPERF_CMD and WRONG_CMD flags are active high and indicate, respectively, that the command received by SPI can't be performed or does not exist at all.

The UVLO, TH_WRN, TH_SD, OCD, NOTPERF_CMD and WRONG_CMD flags are latched: when the respective conditions make them active (low or high), they remain in that state until a GetStatus command is sent to the IC.

The DIR bit indicates the current motor direction:

Table 29. STATUS register DIR bit

DIR	Motor direction
1	Forward
0	Reverse

Any attempt to write to the register causes the command to be ignored and the NOTPERF_CMD to rise (see [Section 9.1.13](#)).

9.2 Application commands

The commands summary is given in [Table 30](#).

Table 30. Application commands

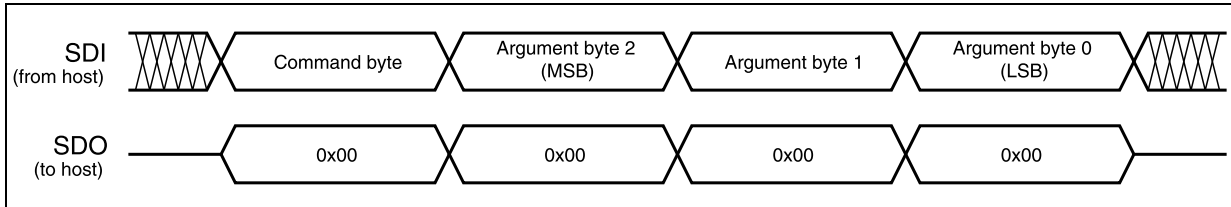
Command Mnemonic	Command binary code					Action
	[7...5]	[4]	[3]	[2...1]	[0]	
NOP	000	0	0	00	0	Nothing
SetParam(PARAM,VALUE)	000	[PARAM]				Writes VALUE in PARAM register
Enable	101	1	1	00	0	Enable the power stage
Disable	101	0	1	00	0	Puts the bridges in High Impedance status immediately
GetStatus	110	1	0	00	0	Returns the status register value
RESERVED	111	0	1	01	1	RESERVED COMMAND
RESERVED	111	1	1	00	0	RESERVED COMMAND

9.2.1 Command management

The host microcontroller can control motor motion and configure the L6474 through a complete set of commands.

All commands are composed of a single byte. After the command byte, some bytes of arguments should be needed (see [Figure 15](#)). Argument length can vary from 1 to 3 bytes.

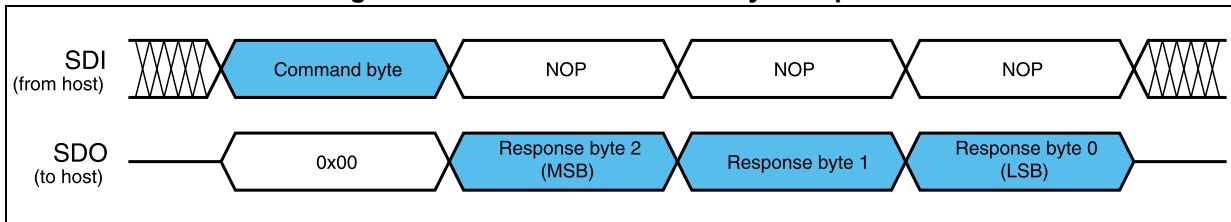
Figure 15. Command with three-byte argument



By default, the device returns an all zeroes response for any received byte, the only exceptions are GetParam and GetStatus commands. When one of these commands is received, the following response bytes represent the related register value (see [Figure 16](#)).

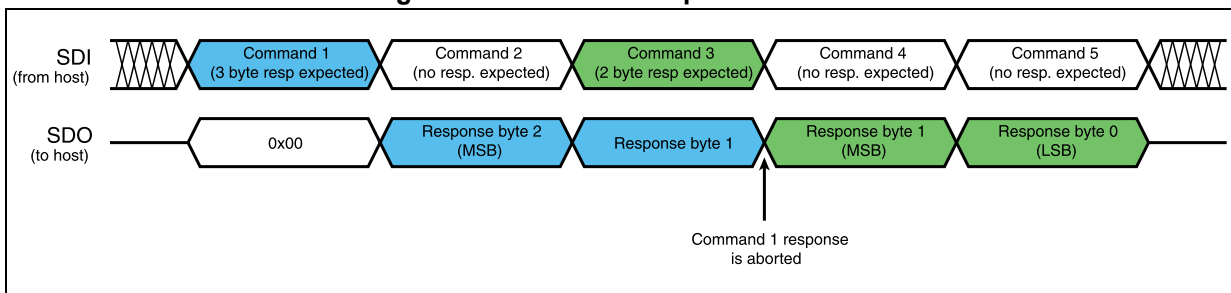
Response length can vary from 1 to 3 bytes.

Figure 16. Command with three-byte response



During response transmission, new commands can be sent. If a command requiring a response is sent before the previous response is completed, the response transmission is aborted and the new response is loaded into the output communication buffer (see [Figure 17](#)).

Figure 17. Command response aborted



When a byte that does not correspond to a command is sent to the IC it is ignored and the WRONG_CMD flag in the STATUS register is raised (see [Section 9.1.13](#)).

9.2.2 NOP

Table 31. NOP command structure

Bit 7	Bit 6	Bit 5	Bit 4	Bit 3	Bit 2	Bit 1	Bit 0	
0	0	0	0	0	0	0	0	From host

Nothing is performed.

9.2.3 SetParam (PARAM, VALUE)

Table 32. SetParam command structure

Bit 7	Bit 6	Bit 5	Bit 4	Bit 3	Bit 2	Bit 1	Bit 0		
0	0	0	PARAM						From host
VALUE Byte 2 (if needed)									
VALUE Byte 1 (if needed)									
VALUE Byte 0									

The SetParam command sets the PARAM register value equal to VALUE; PARAM is the respective register address listed in [Table 16 on page 37](#).

The command should be followed by the new register VALUE (most significant byte first). The number of bytes composing the VALUE argument depends on the length of the target register (see [Table 16](#)).

Some registers cannot be written (see [Table 16](#)); any attempt to write one of those registers causes the command to be ignored and the WRONG_CMD flag to rise at the end of command byte, the same is true when an unknown command code is sent (see [Section 9.1.13 on page 41](#)).

Some registers can only be written in particular conditions (see [Table 16](#)); any attempt to write one of those registers when the conditions are not satisfied causes the command to be ignored and the NOTPERF_CMD flag to rise at the end of last argument byte (see [Section 9.1.13](#)).

Any attempt to set an inexistent register (wrong address value) causes the command to be ignored and the WRONG_CMD flag to rise at the end of command byte, the same is true when an unknown command code is sent.

9.2.4 GetParam (PARAM)

Table 33. GetParam command structure

Bit 7	Bit 6	Bit 5	Bit 4	Bit 3	Bit 2	Bit 1	Bit 0		
0	0	1	PARAM						From host
ANS Byte 2 (if needed)								To host	
ANS Byte 1 (if needed)								To host	
ANS Byte 0								To host	

This command reads the current PARAM register value; PARAM is the respective register address listed in [Table 16 on page 37](#).

The command response is the current value of the register (most significant byte first). The number of bytes composing the command response depends on the length of the target register (see [Table 16](#)).

The returned value is the register one at the moment of GetParam command decoding. If register values change after this moment the response is not accordingly updated.

All registers can be read anytime.

Any attempt to read an inexistent register (wrong address value) causes the command to be ignored and the WRONG_CMD flag to rise at the end of command byte, the same is true when an unknown command code is sent.

9.2.5 Enable

Table 34. HardStop command structure

Bit 7	Bit 6	Bit 5	Bit 4	Bit 3	Bit 2	Bit 1	Bit 0	
1	0	1	1	1	0	0	0	From host

The Enable command turns on the power stage of the device.

When the motor is in high-impedance state, an Enable command forces the bridges to exit from high impedance state.

This command can be given anytime and is immediately executed.

9.2.6 Disable

Table 35. Disable command structure

Bit 7	Bit 6	Bit 5	Bit 4	Bit 3	Bit 2	Bit 1	Bit 0	
1	0	1	0	1	0	0	0	From host

The Disable command immediately disables the power bridges (high-impedance state) and raises the HiZ flag.

This command can be given anytime and is immediately executed.

9.2.7 GetStatus

Table 36. GetStatus command structure

Bit 7	Bit 6	Bit 5	Bit 4	Bit 3	Bit 2	Bit 1	Bit 0	
1	1	0	1	0	0	0	0	From host
STATUS MSByte								To host
STATUS LSByte								To host

The GetStatus command returns the Status register value. The GetStatus command resets the STATUS register warning flags. The command forces the system to exit from any error state. The GetStatus command DOES NOT reset the HiZ flag.

10 Package information

In order to meet environmental requirements, ST offers these devices in different grades of ECOPACK[®] packages, depending on their level of environmental compliance. ECOPACK specifications, grade definitions and product status are available at: www.st.com. ECOPACK is an ST trademark.

10.1 HTSSOP28 package information

Figure 18. HTSSOP28 package outline

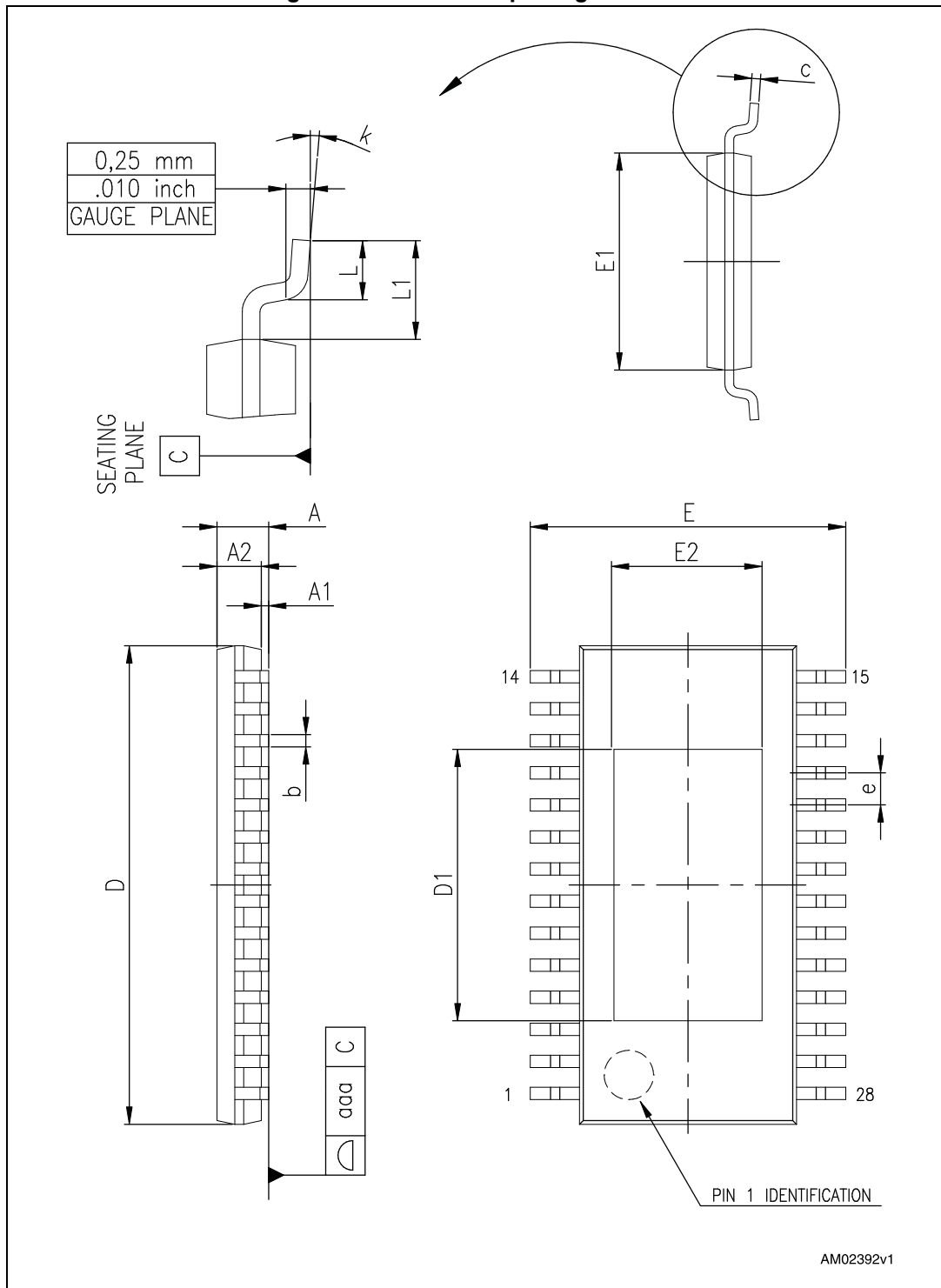


Table 37. HTSSOP28 package mechanical data

Symbol	Dimensions (mm)		
	Min.	Typ.	Max.
A			1.2
A1			0.15
A2	0.8	1.0	1.05
b	0.19		0.3
c	0.09		0.2
D ⁽¹⁾	9.6	9.7	9.8
D1		5.5	
E	6.2	6.4	6.6
E1 ⁽²⁾	4.3	4.4	4.5
E2		2.8	
e		0.65	
L	0.45	0.6	0.75
L1		1.0	
K	0°		8°
aaa		0.1	

1. Dimension "D" does not include mold flash, protrusions or gate burrs. Mold flash, protrusions or gate burrs do not exceed 0.15 mm per side.
2. Dimension "E1" does not include interlead flash or protrusions. Interlead flash or protrusions do not exceed 0.25 mm per side.

10.2 POWERSO36 package information

Figure 19. POWERSO36 package outline

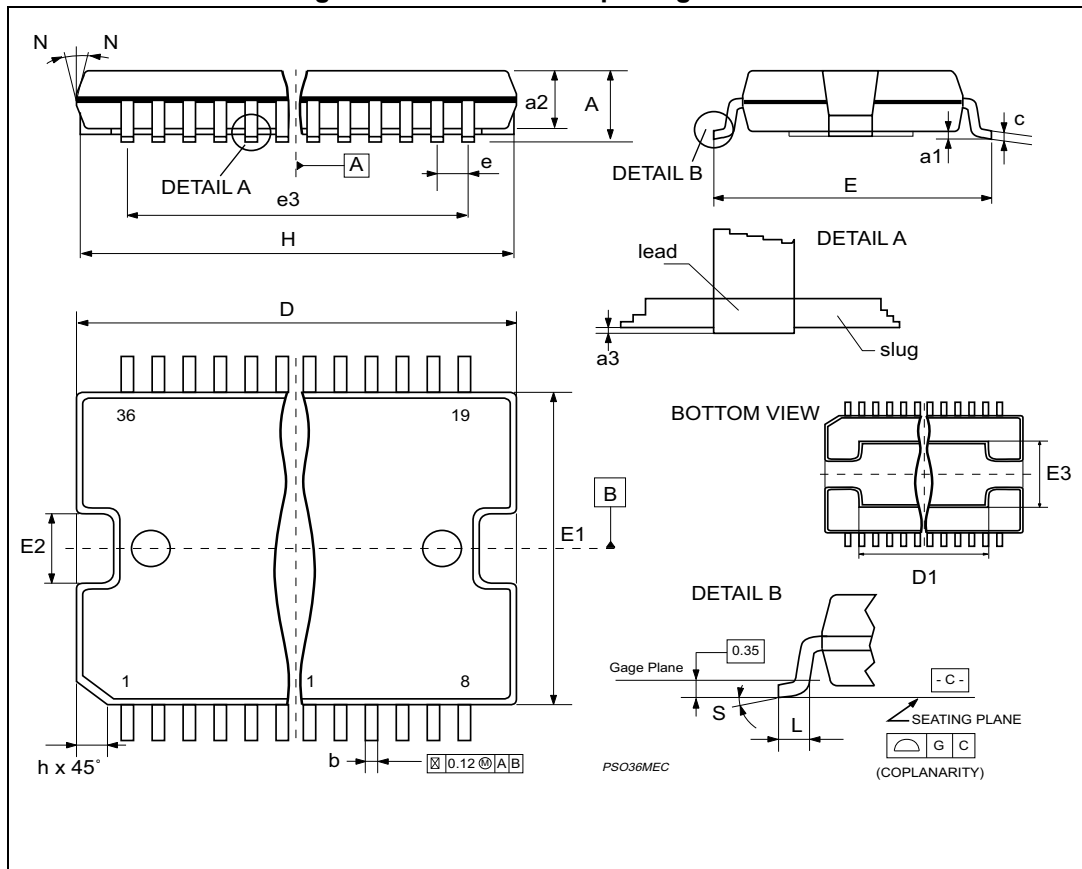


Table 38. POWERSO36 package mechanical data

Symbol	Dimensions (mm)			Dimensions (inch)		
	Min.	Typ.	Max.	Min.	Typ.	Max.
A			3.60			0.1417
a1	0.10		0.30	0.003		0.0118
a2			3.30			0.1299
a3	0		0.10	0		0.0039
b	0.22		0.38	0.008		0.0150
c	0.23		0.32	0.009		0.0126
D	15.80		16.00	0.622		0.6299
D1	9.40		9.80	0.370		0.3858
E	13.90		14.50	0.547		0.5709
E1	10.90		11.10	0.429		0.4370
E2			2.90			0.1142
E3	5.8		6.2	0.228		0.2441
e		0.65			0.025	
e3		11.05			0.435	
G	0		0.10	0.000		0.0039
H	15.50		15.90	0.610		0.6260
h			1.10			0.0433
L	0.80		1.10	0.031		0.0433
N			10°			10°
S	0°		8°	0°		8°

11 Revision history

Table 39. Document revision history

Date	Revision	Changes
02-Dec-2011	1	Initial release.
22-Dec-2011	2	Deleted previous chapter 6.4.1 Automatic full-step mode. Minor text changes.
20-Dec-2012	3	Changed T _{OP} value and P _{tot} value in Table 2 . Removed T _j parameter in Table 3 . Added typical values to Table 4 . Updated HTSSOP28 mechanical data. Minor text changes.
18-Mar-2015	5	Removed “easySPIN” from the main title on page 1 . Updated Figure 2 on page 15 (renamed pin label 22). Updated Figure 3 on page 15 (renamed pin labels 7 and 29). Updated Table 6 on page 16 (added label HTSSOP and POWERSO column). Reformatted Section 10 on page 47 (updated/added titles and headers, reformatted order of Figure 18 and Table 37 , Figure 19 and Table 38). Minor modifications throughout document.

IMPORTANT NOTICE – PLEASE READ CAREFULLY

STMicroelectronics NV and its subsidiaries (“ST”) reserve the right to make changes, corrections, enhancements, modifications, and improvements to ST products and/or to this document at any time without notice. Purchasers should obtain the latest relevant information on ST products before placing orders. ST products are sold pursuant to ST’s terms and conditions of sale in place at the time of order acknowledgement.

Purchasers are solely responsible for the choice, selection, and use of ST products and ST assumes no liability for application assistance or the design of Purchasers’ products.

No license, express or implied, to any intellectual property right is granted by ST herein.

Resale of ST products with provisions different from the information set forth herein shall void any warranty granted by ST for such product.

ST and the ST logo are trademarks of ST. All other product or service names are the property of their respective owners.

Information in this document supersedes and replaces information previously supplied in any prior versions of this document.

© 2015 STMicroelectronics – All rights reserved

Компания «Океан Электроники» предлагает заключение долгосрочных отношений при поставках импортных электронных компонентов на взаимовыгодных условиях!

Наши преимущества:

- Поставка оригинальных импортных электронных компонентов напрямую с производств Америки, Европы и Азии, а так же с крупнейших складов мира;
- Широкая линейка поставок активных и пассивных импортных электронных компонентов (более 30 млн. наименований);
- Поставка сложных, дефицитных, либо снятых с производства позиций;
- Оперативные сроки поставки под заказ (от 5 рабочих дней);
- Экспресс доставка в любую точку России;
- Помощь Конструкторского Отдела и консультации квалифицированных инженеров;
- Техническая поддержка проекта, помощь в подборе аналогов, поставка прототипов;
- Поставка электронных компонентов под контролем ВП;
- Система менеджмента качества сертифицирована по Международному стандарту ISO 9001;
- При необходимости вся продукция военного и аэрокосмического назначения проходит испытания и сертификацию в лаборатории (по согласованию с заказчиком);
- Поставка специализированных компонентов военного и аэрокосмического уровня качества (Xilinx, Altera, Analog Devices, Intersil, Interpoint, Microsemi, Actel, Aeroflex, Peregrine, VPT, Syfer, Eurofarad, Texas Instruments, MS Kennedy, Miteq, Cobham, E2V, MA-COM, Hittite, Mini-Circuits, General Dynamics и др.);

Компания «Океан Электроники» является официальным дистрибьютором и эксклюзивным представителем в России одного из крупнейших производителей разъемов военного и аэрокосмического назначения «JONHON», а так же официальным дистрибьютором и эксклюзивным представителем в России производителя высокотехнологичных и надежных решений для передачи СВЧ сигналов «FORSTAR».



JONHON

«JONHON» (основан в 1970 г.)

Разъемы специального, военного и аэрокосмического назначения:

(Применяются в военной, авиационной, аэрокосмической, морской, железнодорожной, горно- и нефтедобывающей отраслях промышленности)

«FORSTAR» (основан в 1998 г.)

ВЧ соединители, коаксиальные кабели, кабельные сборки и микроволновые компоненты:

(Применяются в телекоммуникациях гражданского и специального назначения, в средствах связи, РЛС, а так же военной, авиационной и аэрокосмической отраслях промышленности).



Телефон: 8 (812) 309-75-97 (многоканальный)

Факс: 8 (812) 320-03-32

Электронная почта: ocean@oceanchips.ru

Web: <http://oceanchips.ru/>

Адрес: 198099, г. Санкт-Петербург, ул. Калинина, д. 2, корп. 4, лит. А