

NOTES:

- MATERIAL: HOUSING - HIGH TEMP NYLON, GLASS FILLED, UL 94V-0
 COLOR: SEE TABLE ON SHEET 6 & 7
 LATCH - HIGH TEMP NYLON, GLASS FILLED, UL 94V-0
 COLOR: SEE TABLE ON SHEET 6 & 7
 TERMINAL: COPPER ALLOY

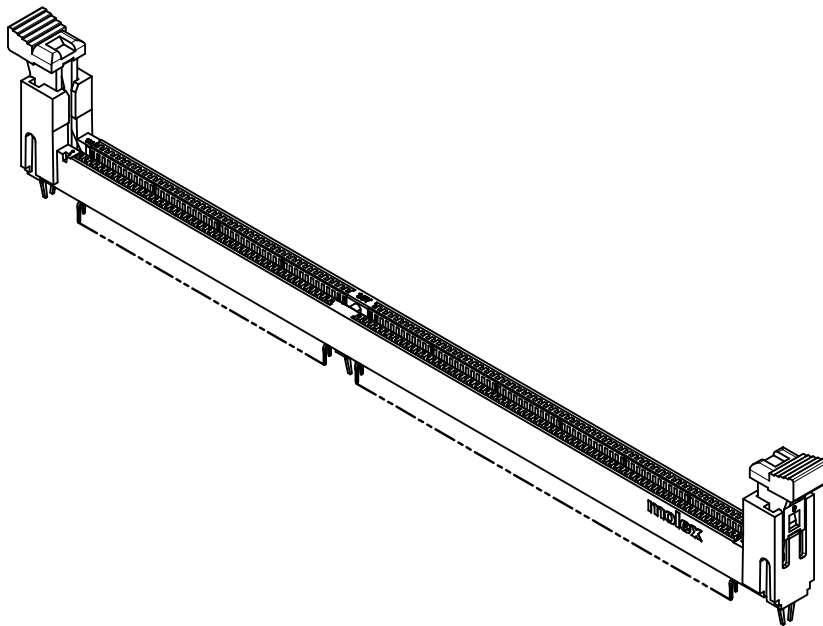
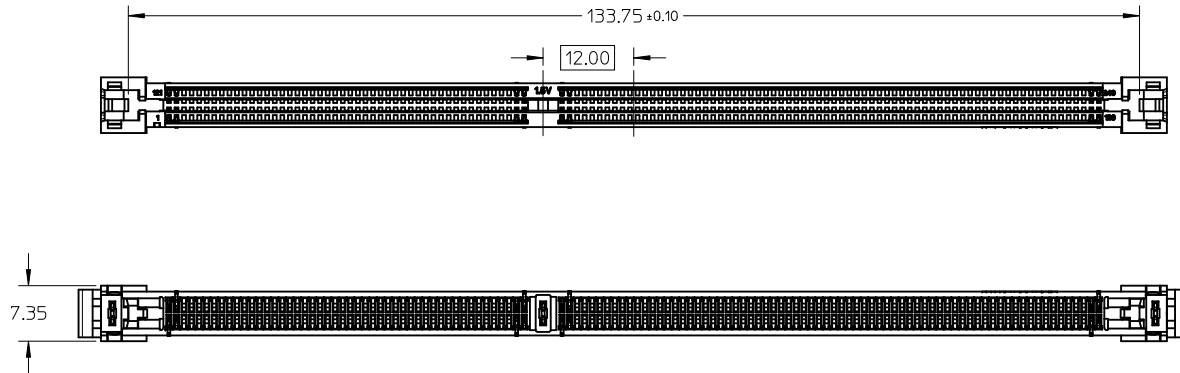
- FINISHES:
 TERMINAL PLATING OPTIONS - SEE TABLE ON SHEET 6 & 7
- PRODUCT SPECIFICATION: SEE TABLE ON SHEET 6 & 7
- PACKAGING INFORMATION: PRODUCT SHALL BE PACKED IN TRAY
- CARD SLOTS ACCEPTS 1.27 \pm 0.10MM MODULE THICKNESS (MEASURED FROM PC PADS)

- MOLEX LOGO, DATE CODE AND PART NO. INDICATED ON HOUSING
- MODULE SEATING PLANE FROM TOP OF PCB
- KEEP OUT ZONE RESERVED FOR LATCH

THIS DESIGN IS BASED ON DESIGN OBJECTIVES AND IS STRICTLY TENTATIVE. IT MAY CHANGE BASED ON RESULTS OF ADDITIONAL DESIGN REVIEWS & VERIFICATIONS.

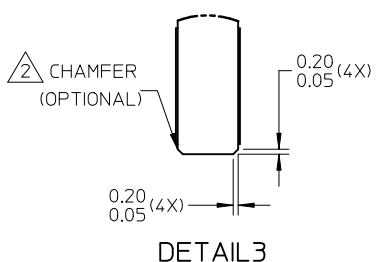
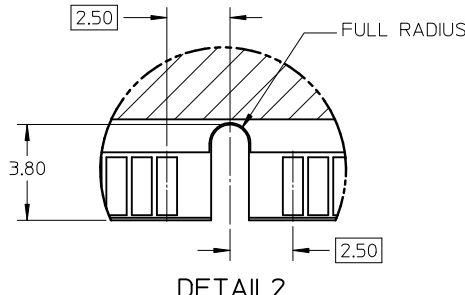
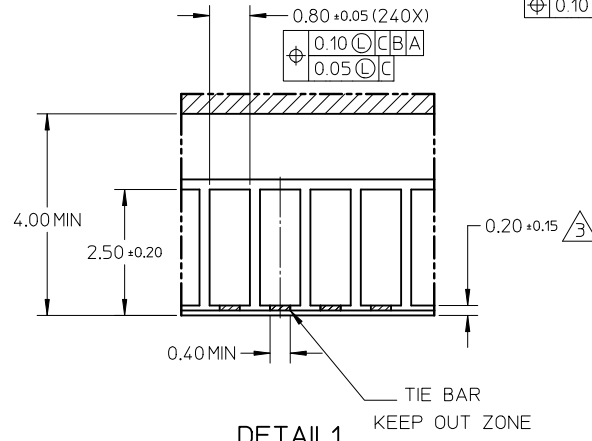
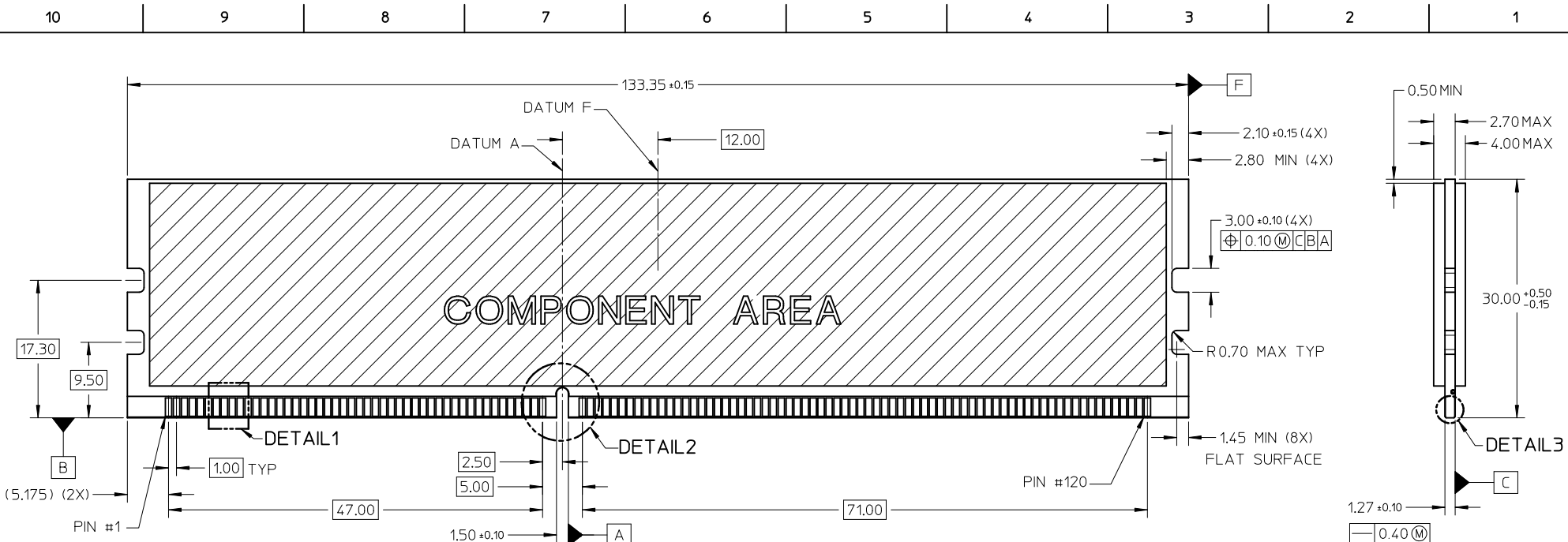
FORKLOCK UPDATED EC NO: S2010-0888 DRWN: JAKEEVEW 2010/04/23 CHKD: CCTEH 2010/06/10 APPR: SHLENI 2010/06/13	QUALITY SYMBOLS $\nabla_A = 0$ $\nabla_C = 0$ $\nabla_P = 0$	GENERAL TOLERANCES (UNLESS SPECIFIED)		DIMENSION STYLE MM ONLY		SCALE NTS	DESIGN UNITS METRIC	THIRD ANGLE PROJECTION		
			mm	INCH	DRAWN BY YTYANG01	DATE 2007/09/24	TITLE DDR3 DIMM, 100MM PITCH 240 CKTS, VERTICAL, T/H LOW LLLCR			
		4 PLACES	\pm ---	\pm ---	CHECKED BY CCTEH	DATE 2007/11/12	MOLEX INCORPORATED DOCUMENT NO. SD-78321-001 SHEET NO. 1 OF 7			
		3 PLACES	\pm ---	\pm ---	APPROVED BY SHLENI	DATE 2010/06/10				
2 PLACES	± 0.2	\pm ---	ANGULAR $\pm 1^\circ$		DRAFT WHERE APPLICABLE MUST REMAIN WITHIN DIMENSIONS					
1 PLACE	\pm ---	\pm ---	SEE TABLE		THIS DRAWING CONTAINS INFORMATION THAT IS PROPRIETARY TO MOLEX INCORPORATED AND SHOULD NOT BE USED WITHOUT WRITTEN PERMISSION					

10 9 8 7 6 5 4 3 2 1



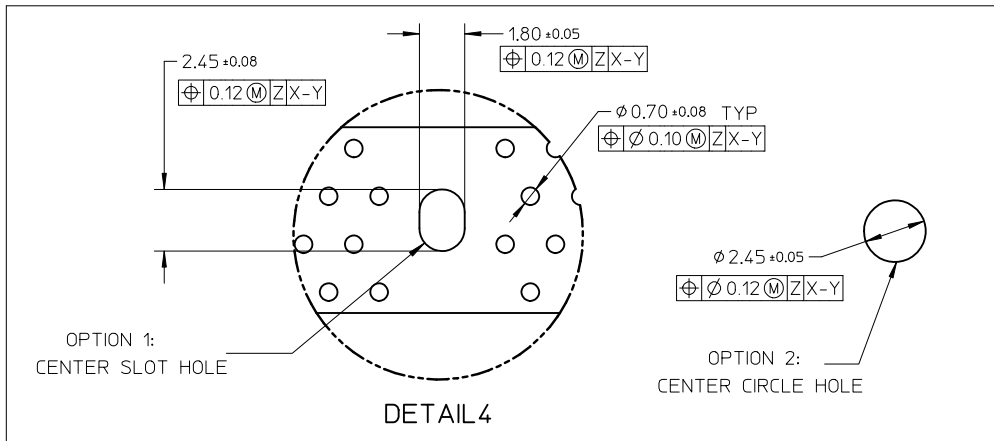
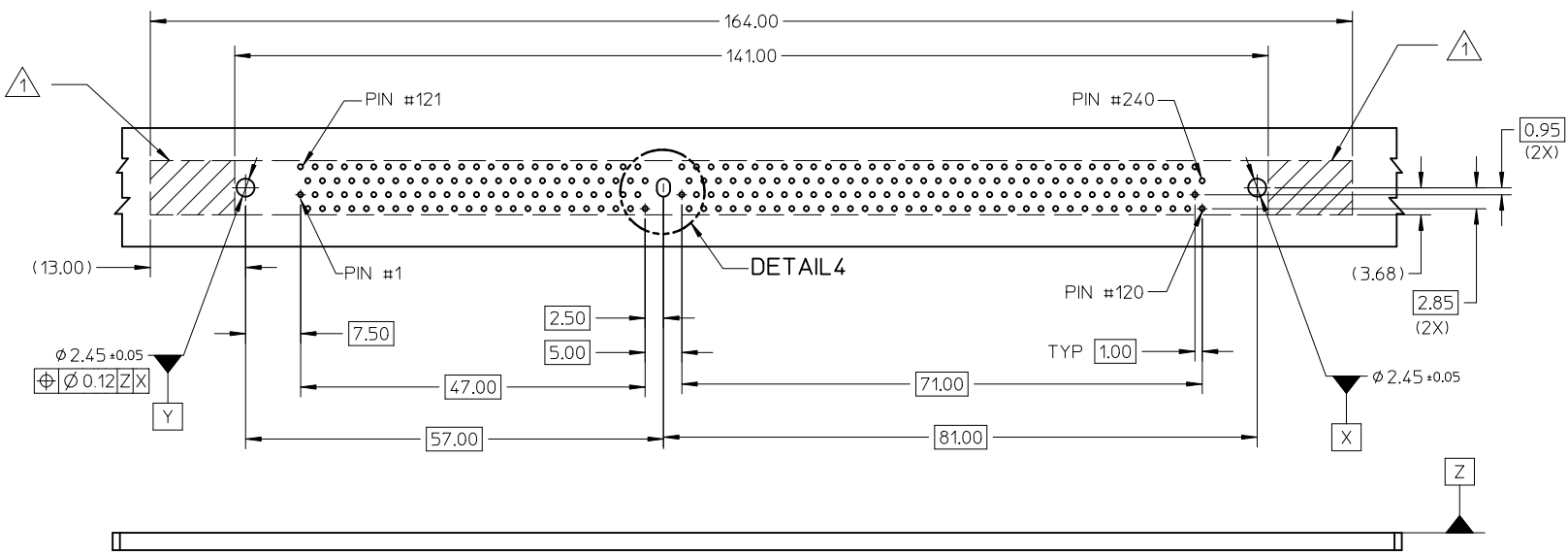
FORKLOCK UPDATED EC NO: S2010-0888 DRWN: JAKEEVEW 2010/04/23 CHKD: CCTEH 2010/06/10 APPR: SHLENI 2010/06/13	QUALITY SYMBOLS	GENERAL TOLERANCES (UNLESS SPECIFIED)		DIMENSION STYLE MM ONLY		SCALE NTS	DESIGN UNITS METRIC	THIRD ANGLE PROJECTION			
	$F_A=0$ $F_G=0$ $F_P=0$	mm	INCH	DRAWN BY YTYANG01	DATE 2007/09/24	TITLE DDR3 DIMM, 1.00MM PITCH 240 CKTS, VERTICAL, T/H LOW LLCR					
		4 PLACES	± ---	± ---	CHECKED BY CCTEH	DATE 2007/11/12	MOLEX INCORPORATED				
		3 PLACES	± ---	± ---	APPROVED BY SHLENI	DATE 2010/06/10					
		2 PLACES	± 0.2	± ---	MATERIAL NO. SEE TABLE		DOCUMENT NO. SD-78321-001	SHEET NO. 2 OF 7			
	1 PLACE	± ---	± ---	DRAFT WHERE APPLICABLE MUST REMAIN WITHIN DIMENSIONS THIS DRAWING CONTAINS INFORMATION THAT IS PROPRIETARY TO MOLEX INCORPORATED AND SHOULD NOT BE USED WITHOUT WRITTEN PERMISSION							

9 8 7 6 5 4 3 2 1



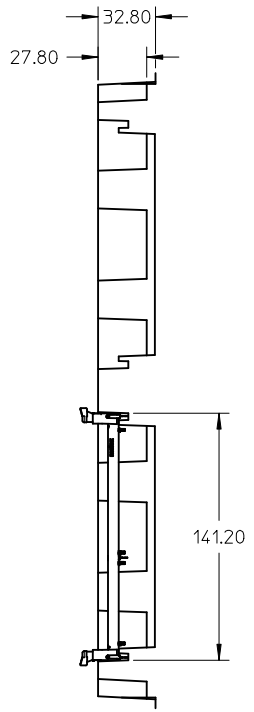
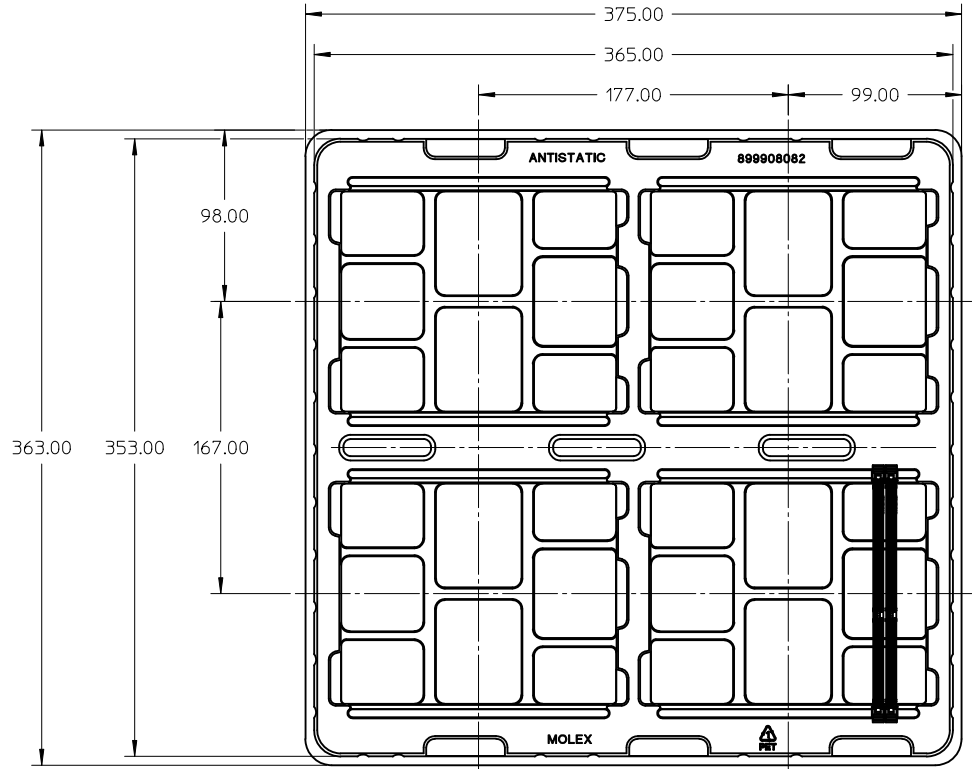
NOTES:
 1. RECOMMENDED PLATING FOR CONTACT PADS:
 PREFERRED: 0.76 MICROMETERS GOLD PLATING MIN OVER 2.00 MICROMETERS NICKEL
 ALTERNATIVE: 0.05-0.75 MICROMETERS GOLD PLATING OVER 2.00 MICROMETERS NICKEL MUST USE AN ELECTRONIC CONTACT GRADE CORROSIVE BARRIER LUBRICANT
 2. CHAMFER IS OPTIONAL AND IS NOT TO HIT THE GOLD PADS
 3. LEADING EDGE OF GOLD PADS SPECIFIED BY KEEPOUT ZONE SHALL BE FREE OF BURRS AND EXTERNAL TIE BARS

FORKLOCK UPDATED EC NO: S2010-0888 DRWN: JAKEEWEW 2010/04/23 CHYKD: CCTEH 2010/06/10 APPR: SHLENI 2010/06/13	QUALITY SYMBOLS	GENERAL TOLERANCES (UNLESS SPECIFIED)		DIMENSION STYLE MM ONLY		SCALE NTS	DESIGN UNITS METRIC	THIRD ANGLE PROJECTION	
	$F_A=0$	mm	INCH	DRAWN BY YTYANG01	DATE 2007/09/24	TITLE DDR3 DIMM, 100MM PITCH 240 CKTS, VERTICAL, T/H LOW LLLCR			
	$F_G=0$	4 PLACES ± ---	± ---	CHECKED BY CCTEH	DATE 2007/11/12	MOLEX INCORPORATED			
	$F_P=0$	3 PLACES ± ---	± ---	APPROVED BY SHLENI	DATE 2010/06/10				
	2 PLACES ± 0.2	± ---	MATERIAL NO. SEE TABLE		DOCUMENT NO. SD-78321-001		SHEET NO. 3 OF 7		
	1 PLACE ± ---	± ---	DRAFT WHERE APPLICABLE MUST REMAIN WITHIN DIMENSIONS		THIS DRAWING CONTAINS INFORMATION THAT IS PROPRIETARY TO MOLEX INCORPORATED AND SHOULD NOT BE USED WITHOUT WRITTEN PERMISSION				



NOTE:
 1. KEEPOUT AREA IS THE AREA WHERE THE CONNECTOR (INCLUDING LATCH) IS MOUNTED ON PCB

FORKLOCK UPDATED EC NO: S2010-0888 DRWN: JAKEEWEW 2010/04/23 CHKD: CCTEH 2010/06/10 APPR: SHLENI 2010/06/13	QUALITY SYMBOLS $F_A=0$ $F_C=0$ $F_P=0$	GENERAL TOLERANCES (UNLESS SPECIFIED) <table border="1"> <thead> <tr> <th></th> <th>mm</th> <th>INCH</th> </tr> </thead> <tbody> <tr> <td>4 PLACES</td> <td>\pm ---</td> <td>\pm ---</td> </tr> <tr> <td>3 PLACES</td> <td>\pm ---</td> <td>\pm ---</td> </tr> <tr> <td>2 PLACES</td> <td>± 0.2</td> <td>\pm ---</td> </tr> <tr> <td>1 PLACE</td> <td>\pm ---</td> <td>\pm ---</td> </tr> </tbody> </table>		mm	INCH	4 PLACES	\pm ---	\pm ---	3 PLACES	\pm ---	\pm ---	2 PLACES	± 0.2	\pm ---	1 PLACE	\pm ---	\pm ---	DIMENSION STYLE MM ONLY DRAWN BY: YTYANG01 DATE: 2007/09/24 CHECKED BY: CCTEH DATE: 2007/11/12 APPROVED BY: SHLENI DATE: 2010/06/10	SCALE: NTS DESIGN UNITS: METRIC THIRD ANGLE PROJECTION	TITLE: DDR3 DIMM, 100MM PITCH 240 CKTS, VERTICAL, T/H LOW LLLCR MOLEX INCORPORATED
		mm	INCH																	
	4 PLACES	\pm ---	\pm ---																	
	3 PLACES	\pm ---	\pm ---																	
2 PLACES	± 0.2	\pm ---																		
1 PLACE	\pm ---	\pm ---																		
DRAFT WHERE APPLICABLE MUST REMAIN WITHIN DIMENSIONS	MATERIAL NO.: SEE TABLE DOCUMENT NO.: SD-78321-001	SHEET NO.: 4 OF 7																		
SIZE: A3 THIS DRAWING CONTAINS INFORMATION THAT IS PROPRIETARY TO MOLEX INCORPORATED AND SHOULD NOT BE USED WITHOUT WRITTEN PERMISSION																				
REV: 10																				



NOTES:
1. QTY OF CAVITY : 20 X 4 = 80 PCS

FORKLOCK UPDATED EC NO: S2010-0888 DRWN: JAKEEWEW 2010/04/23 CHKD: CCTEH 2010/06/10 APPR: SHLENI 2010/06/13	QUALITY SYMBOLS $F_A=0$ $F_C=0$ $F_P=0$	GENERAL TOLERANCES (UNLESS SPECIFIED)		DIMENSION STYLE MM ONLY		SCALE NTS	DESIGN UNITS METRIC	THIRD ANGLE PROJECTION		
			mm	INCH	DRAWN BY YTYANG01	DATE 2007/09/24	TITLE DDR3 DIMM, 1.00MM PITCH 240 CKTS, VERTICAL, T/H LOW LLLCR			
		4 PLACES	± ---	± ---	CHECKED BY CCTEH	DATE 2007/11/12	MOLEX INCORPORATED DOCUMENT NO. SD-78321-001 SHEET NO. 5 OF 7			
		3 PLACES	± ---	± ---	APPROVED BY SHLENI	DATE 2010/06/10				
2 PLACES	± 0.2	± ---	ANGULAR ± 1 °		MATERIAL NO.		SEE TABLE			
1 PLACE	± ---	± ---	DRAFT WHERE APPLICABLE MUST REMAIN WITHIN DIMENSIONS		SIZE A3		THIS DRAWING CONTAINS INFORMATION THAT IS PROPRIETARY TO MOLEX INCORPORATED AND SHOULD NOT BE USED WITHOUT WRITTEN PERMISSION			

ASSEMBLY PART NO.	VOLTAGE KEY	DIM 'P'	FORKLOCK LENGTH	RECOMMENDED PCB THICKNESS	PLATING OPTION	HOUSING COLOUR	LATCH COLOUR	PRODUCT SPECIFICATION
78321-0011	CENTRE (1.5V)	2.67	3.94	1.57	0.76 MICROMETER/ 30 MICROINCH MIN. GOLD ON CONTACT 2.54 MICROMETER/ 100 MICROINCH MIN. PURE TIN (MATTE) ON SOLDER TAILS 1.27 MICROMETER/ 50 MICROINCH MIN. NICKEL UNDERPLATE	BLACK	BLACK	PS-78321-001
78321-0016							NATURAL (OFF-WHITE)	
78321-0013		3.00		2.18			BLACK	
78321-0017							NATURAL (OFF-WHITE)	
78321-0012		3.18		2.36			BLACK	
78321-0018							NATURAL (OFF-WHITE)	
78321-0001		2.67		1.57	0.38 MICROMETER/ 15 MICROINCH MIN. GOLD ON CONTACT 2.54 MICROMETER/ 100 MICROINCH MIN. PURE TIN (MATTE) ON SOLDER TAILS 1.27 MICROMETER/ 50 MICROINCH MIN. NICKEL UNDERPLATE		BLACK	PS-78321-002
78321-0006							NATURAL (OFF-WHITE)	
78321-0003		3.00		2.18			BLACK	
78321-0007							NATURAL (OFF-WHITE)	
78321-0002		3.18		2.36			BLACK	
78321-0008							NATURAL (OFF-WHITE)	

FORKLOCK UPDATED EC NO: S2010-0888 DRWN: JAKEEWEW 2010/04/23 CHKD: CCTEH 2010/06/10 APPR: SHLENI 2010/06/13	QUALITY SYMBOLS	GENERAL TOLERANCES (UNLESS SPECIFIED)	DIMENSION STYLE	SCALE	DESIGN UNITS	THIRD ANGLE PROJECTION															
	$\nabla_A = 0$ $\nabla_C = 0$ $\nabla_P = 0$	<table border="1"> <tr> <th></th> <th>mm</th> <th>INCH</th> </tr> <tr> <td>4 PLACES</td> <td>± ---</td> <td>± ---</td> </tr> <tr> <td>3 PLACES</td> <td>± ---</td> <td>± ---</td> </tr> <tr> <td>2 PLACES</td> <td>± 0.2</td> <td>± ---</td> </tr> <tr> <td>1 PLACE</td> <td>± ---</td> <td>± ---</td> </tr> </table>		mm	INCH	4 PLACES	± ---	± ---	3 PLACES	± ---	± ---	2 PLACES	± 0.2	± ---	1 PLACE	± ---	± ---	MM ONLY	NTS	METRIC	
		mm	INCH																		
	4 PLACES	± ---	± ---																		
3 PLACES	± ---	± ---																			
2 PLACES	± 0.2	± ---																			
1 PLACE	± ---	± ---																			
DESCRIPTION	DRAWN BY: YTYANG01 CHECKED BY: CCTEH APPROVED BY: SHLENI DATE: 2007/09/24 DATE: 2007/11/12 DATE: 2010/06/10	TITLE	DDR3 DIMM, 1.00MM PITCH 240 CKTS, VERTICAL, T/H LOW LLCR																		
REV	10	DRAFT WHERE APPLICABLE MUST REMAIN WITHIN DIMENSIONS	SEE TABLE	MOLEX INCORPORATED																	
			SIZE: A3	DOCUMENT NO. SD-78321-001		SHEET NO. 6 OF 7															
			THIS DRAWING CONTAINS INFORMATION THAT IS PROPRIETARY TO MOLEX INCORPORATED AND SHOULD NOT BE USED WITHOUT WRITTEN PERMISSION																		

ASSEMBLY PART NO.	VOLTAGE KEY	DIM 'P'	FORKLOCK LENGTH	RECOMMENDED PCB THICKNESS	PLATING OPTION	HOUSING COLOUR	LATCH COLOUR	PRODUCT SPECIFICATION	
78321-0051	CENTRE (1.5V)	3.18	3.18	2.36	0.76 MICROMETER/ 30 MICROINCH MIN. GOLD ON CONTACT 2.54 MICROMETER/ 100 MICROINCH MIN. PURE TIN (MATTE) ON SOLDER TAILS 1.27 MICROMETER/ 50 MICROINCH MIN. NICKEL UNDERPLATE	BLACK	NATURAL (OFF-WHITE)	PS-78321-001	
78321-0052						NATURAL (OFF-WHITE)			
78321-0053						BLUE			
78321-0055						GREEN			
78321-0151						BLACK			
78321-0152						NATURAL (OFF-WHITE)			
78321-0153		BLUE							
78321-0155		GREEN							
78321-0061		2.67	3.18	3.18		0.38 MICROMETER/ 15 MICROINCH MIN. GOLD ON CONTACT 2.54 MICROMETER/ 100 MICROINCH MIN. PURE TIN (MATTE) ON SOLDER TAILS 1.27 MICROMETER/ 50 MICROINCH MIN. NICKEL UNDERPLATE			BLACK
78321-0062									NATURAL (OFF-WHITE)
78321-0063									BLUE
78321-0065									GREEN
78321-0161					BLACK				
78321-0162					NATURAL (OFF-WHITE)				
78321-0163		BLUE							
78321-0165		GREEN							
78321-0261		3.18	3.18	3.18	0.38 MICROMETER/ 15 MICROINCH MIN. GOLD ON CONTACT 2.54 MICROMETER/ 100 MICROINCH MIN. PURE TIN (MATTE) ON SOLDER TAILS 1.27 MICROMETER/ 50 MICROINCH MIN. NICKEL UNDERPLATE		BLACK	BLACK	PS-78321-002
78321-0262							NATURAL (OFF-WHITE)		
78321-0263							BLUE		
78321-0265							GREEN		
78321-0361						BLACK			
78321-0362						NATURAL (OFF-WHITE)			
78321-0363		BLUE							
78321-0365		GREEN							

FORKLOCK UPDATED EC NO: S2010-0888 DRWN: JAKEEWEW 2010/04/23 CH'KD: CCTEH 2010/06/10 APPR: SHLENI 2010/06/13	QUALITY SYMBOLS	GENERAL TOLERANCES (UNLESS SPECIFIED)	DIMENSION STYLE	SCALE	DESIGN UNITS	THIRD ANGLE PROJECTION	
	$F_A=0$ $F_G=0$ $F_P=0$	mm INCH 4 PLACES ± --- ± --- 3 PLACES ± --- ± --- 2 PLACES ± 0.2 ± --- 1 PLACE ± --- ± --- ANGULAR ± 1 °	MM ONLY	NTS	METRIC		
	DESCRIPTION		DRAWN BY	DATE	TITLE		
			YTYANG01	2007/09/24	DDR3 DIMM, 1.00MM PITCH 240 CKTS, VERTICAL, T/H LOW LLCR		
		CCTEH	2007/11/12	APPROVED BY			
		SHLENI	2010/06/10	DATE			
				MATERIAL NO.			
				DOCUMENT NO.			
				SHEET NO.			
				SD-78321-001			
				7 OF 7			
				SIZE			
				A3			
				THIS DRAWING CONTAINS INFORMATION THAT IS PROPRIETARY TO MOLEX INCORPORATED AND SHOULD NOT BE USED WITHOUT WRITTEN PERMISSION			

Компания «Океан Электроники» предлагает заключение долгосрочных отношений при поставках импортных электронных компонентов на взаимовыгодных условиях!

Наши преимущества:

- Поставка оригинальных импортных электронных компонентов напрямую с производств Америки, Европы и Азии, а так же с крупнейших складов мира;
- Широкая линейка поставок активных и пассивных импортных электронных компонентов (более 30 млн. наименований);
- Поставка сложных, дефицитных, либо снятых с производства позиций;
- Оперативные сроки поставки под заказ (от 5 рабочих дней);
- Экспресс доставка в любую точку России;
- Помощь Конструкторского Отдела и консультации квалифицированных инженеров;
- Техническая поддержка проекта, помощь в подборе аналогов, поставка прототипов;
- Поставка электронных компонентов под контролем ВП;
- Система менеджмента качества сертифицирована по Международному стандарту ISO 9001;
- При необходимости вся продукция военного и аэрокосмического назначения проходит испытания и сертификацию в лаборатории (по согласованию с заказчиком);
- Поставка специализированных компонентов военного и аэрокосмического уровня качества (Xilinx, Altera, Analog Devices, Intersil, Interpoint, Microsemi, Actel, Aeroflex, Peregrine, VPT, Syfer, Eurofarad, Texas Instruments, MS Kennedy, Miteq, Cobham, E2V, MA-COM, Hittite, Mini-Circuits, General Dynamics и др.);

Компания «Океан Электроники» является официальным дистрибьютором и эксклюзивным представителем в России одного из крупнейших производителей разъемов военного и аэрокосмического назначения «JONHON», а так же официальным дистрибьютором и эксклюзивным представителем в России производителя высокотехнологичных и надежных решений для передачи СВЧ сигналов «FORSTAR».



JONHON

«JONHON» (основан в 1970 г.)

Разъемы специального, военного и аэрокосмического назначения:

(Применяются в военной, авиационной, аэрокосмической, морской, железнодорожной, горно- и нефтедобывающей отраслях промышленности)

«FORSTAR» (основан в 1998 г.)

ВЧ соединители, коаксиальные кабели, кабельные сборки и микроволновые компоненты:

(Применяются в телекоммуникациях гражданского и специального назначения, в средствах связи, РЛС, а так же военной, авиационной и аэрокосмической отраслях промышленности).



Телефон: 8 (812) 309-75-97 (многоканальный)

Факс: 8 (812) 320-03-32

Электронная почта: ocean@oceanchips.ru

Web: <http://oceanchips.ru/>

Адрес: 198099, г. Санкт-Петербург, ул. Калинина, д. 2, корп. 4, лит. А