

## REF50xx-EP Low-Noise, Very Low Drift, Precision Voltage Reference

### 1 Features

- Low Temperature Drift: 5 ppm/°C (Maximum)
- High Accuracy: 0.08% (Maximum)
- Low Noise: 3  $\mu\text{V}_{\text{PP}}/\text{V}$
- High Output Current:  $\pm 10$  mA
- Available in Military ( $-55^{\circ}\text{C}$  to  $125^{\circ}\text{C}$ ) Temperature Range <sup>(1)</sup>
- Extended Product Life Cycle
- Extended Product-Change Notification
- Product Traceability

### 2 Applications

- 16-Bit Data Acquisition Systems
- ATE Equipment
- Industrial Process Control
- Medical Instrumentation
- Optical Control Systems
- Precision Instrumentation
- Controlled Baseline
- One Assembly/Test Site
- One Fabrication Site

(1) Custom temperature ranges available

### 3 Description

The REF50xx is a family of low-noise, very low-drift, very high precision voltage references. These references are capable of both sinking and sourcing, and are very robust with regard to line and load changes.

Excellent temperature drift and high accuracy are achieved using proprietary design techniques. These features, combined with very low noise, make the REF50xx family ideal for use in high-precision data acquisition systems.

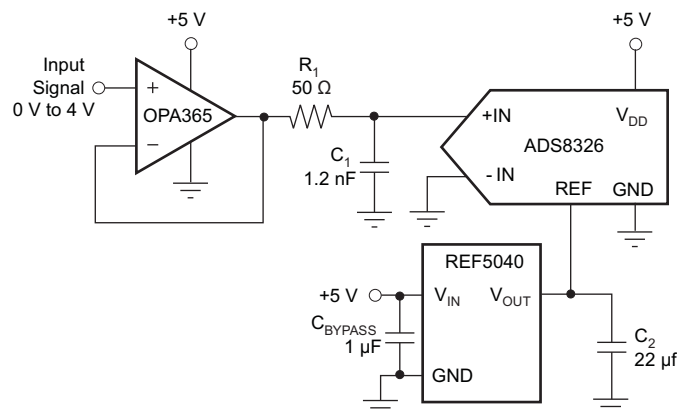
They are offered in SOIC-8 packages, and are specified from  $-55^{\circ}\text{C}$  to  $125^{\circ}\text{C}$ .

#### Device Information<sup>(1)</sup>

PART NUMBER	PACKAGE	BODY SIZE (NOM)
REF50xx-EP	SOIC (8)	4.90 mm x 3.91 mm

(1) For all available packages, see the orderable addendum at the end of the data sheet.

#### Simplified Schematic



## Table of Contents

<b>1 Features</b> .....	<b>1</b>	8.1 Application Information.....	<b>13</b>
<b>2 Applications</b> .....	<b>1</b>	8.2 Typical Applications .....	<b>13</b>
<b>3 Description</b> .....	<b>1</b>	8.3 System Example .....	<b>17</b>
<b>4 Revision History</b> .....	<b>2</b>	<b>9 Power Supply Recommendations</b> .....	<b>19</b>
<b>5 Pin Configuration and Functions</b> .....	<b>3</b>	9.1 Basic Connections .....	<b>19</b>
<b>6 Specifications</b> .....	<b>3</b>	9.2 Low Dropout Voltage .....	<b>19</b>
6.1 Absolute Maximum Ratings .....	<b>3</b>	<b>10 Layout</b> .....	<b>19</b>
6.2 ESD Ratings.....	<b>3</b>	10.1 Layout Guidelines .....	<b>19</b>
6.3 Recommended Operating Conditions.....	<b>4</b>	10.2 Layout Example .....	<b>20</b>
6.4 Thermal Information .....	<b>4</b>	10.3 Power Dissipation .....	<b>20</b>
6.5 Electrical Characteristics: Per Device .....	<b>4</b>	<b>11 Device and Documentation Support</b> .....	<b>21</b>
6.6 Electrical Characteristics: All Devices.....	<b>5</b>	11.1 Documentation Support .....	<b>21</b>
6.7 Typical Characteristics .....	<b>6</b>	11.2 Related Links .....	<b>21</b>
<b>7 Detailed Description</b> .....	<b>10</b>	11.3 Community Resources.....	<b>21</b>
7.1 Overview .....	<b>10</b>	11.4 Trademarks .....	<b>21</b>
7.2 Functional Block Diagram .....	<b>10</b>	11.5 Electrostatic Discharge Caution.....	<b>21</b>
7.3 Feature Description.....	<b>10</b>	11.6 Glossary .....	<b>21</b>
7.4 Device Functional Modes.....	<b>12</b>	<b>12 Mechanical, Packaging, and Orderable Information</b> .....	<b>22</b>
<b>8 Application and Implementation</b> .....	<b>13</b>		

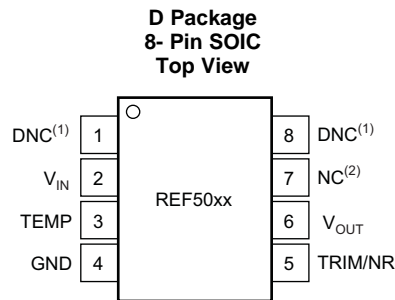
## 4 Revision History

### Changes from Revision A (October 2012) to Revision B

**Page**

- Added *ESD Ratings* table, *Feature Description* section, *Device Functional Modes*, *Application and Implementation* section, *Power Supply Recommendations* section, *Layout* section, *Device and Documentation Support* section, and *Mechanical, Packaging, and Orderable Information* section .....
- Changed title of *Supply Voltage* to *Low Dropout Voltage* .....

## 5 Pin Configuration and Functions



NOTES: (1) DNC = Do not connect.  
(2) NC = No internal connection.

### Pin Functions

PIN		I/O	DESCRIPTION
NAME	NO.		
DNC	1	—	Do not connect
V <sub>IN</sub>	2	Power	Power supply voltage. Range from V <sub>OUT</sub> + 0.2 V up to 18 V. Recommended bypass capacitor from 1 μF up to 10 μF
TEMP	3	O	Temperature monitoring pin provides a temperature-dependent voltage output
GND	4	Power	System ground
TRIM/NR	5	I	Output adjustment and noise reduction input. Connecting 1 μF to this pin will create low pas filter at the bandgap and reduce output noise
V <sub>OUT</sub>	6	O	Very accurate, factory-trimmed voltage output. Recommended bypass capacitor from 1 μF up to 50 μF with ESR between 1 and 1.5 Ω
NC	7	—	No internal connection
DNC	8	—	Do not connect

## 6 Specifications

### 6.1 Absolute Maximum Ratings

over operating free-air temperature range (unless otherwise noted)<sup>(1)</sup>

	MIN	MAX	UNIT
Input voltage   V <sub>IN</sub>		18	V
Output short-circuit		30	mA
Operating temperature	–55	125	°C
Junction temperature, T <sub>J</sub>		150	°C
Storage temperature, T <sub>stg</sub>	–65	150	°C

- (1) Stresses above these ratings may cause permanent damage. Exposure to absolute maximum conditions for extended periods may degrade device reliability. These are stress ratings only, and functional operation of the device at these or any other conditions beyond those specified is not implied.

### 6.2 ESD Ratings

	VALUE	UNIT
V <sub>(ESD)</sub> Electrostatic discharge	Human body model (HBM), per ANSI/ESDA/JEDEC JS-001 <sup>(1)</sup>	±3000
	Charged-device model (CDM), per JEDEC specification JESD22-C101 <sup>(2)</sup>	±1000

- (1) JEDEC document JEP155 states that 500-V HBM allows safe manufacturing with a standard ESD control process.  
(2) JEDEC document JEP157 states that 250-V CDM allows safe manufacturing with a standard ESD control process.

### 6.3 Recommended Operating Conditions

over operating free-air temperature range (unless otherwise noted)

	MIN	MAX	UNIT
$V_{IN}$	$V_{OUT} + 0.2\text{ V}$	18	V
$I_{OUT}$	-10	10	mA

### 6.4 Thermal Information

THERMAL METRIC <sup>(1)</sup>		REF502x-EP		UNIT
		D (SOIC)		
		8 PINS		
$R_{\theta JA}$	Junction-to-ambient thermal resistance	97.1		°C/W
$R_{\theta JC(top)}$	Junction-to-case (top) thermal resistance	42.2		°C/W
$R_{\theta JB}$	Junction-to-board thermal resistance	34.6		°C/W

(1) For more information about traditional and new thermal metrics, see the *Semiconductor and IC Package Thermal Metrics* application report, [SPRA953](#).

### 6.5 Electrical Characteristics: Per Device

 At  $T_A = 25^\circ\text{C}$ ,  $I_{LOAD} = 0$ ,  $C_L = 1\ \mu\text{F}$ , and  $V_{IN} = (V_{OUT} + 0.2\text{ V})$  to 18 V, unless otherwise noted.

PARAMETER	TEST CONDITIONS	$T_A = 25^\circ\text{C}$			$T_A = -55^\circ\text{C to } 125^\circ\text{C}$			UNIT
		MIN	TYP	MAX	MIN	TYP	MAX	
<b>REF5020 (<math>V_{OUT} = 2.048\text{V}</math>)<sup>(1)</sup></b>								
<b>OUTPUT VOLTAGE</b>								
Output Voltage	$V_{OUT}$	2.048						V
Initial Accuracy	$2.7\text{ V} < V_{IN} < 18\text{ V}$	-0.05%		0.05%				
Over Temperature					-0.08%		0.08%	
<b>NOISE</b>								
Output Voltage Noise	$f = 0.1\text{ Hz to } 10\text{ Hz}$	6						$\mu\text{V}_{PP}$
<b>REF5025 (<math>V_{OUT} = 2.5\text{ V}</math>)</b>								
<b>OUTPUT VOLTAGE</b>								
Output Voltage	$V_{OUT}$	2.5						V
Initial Accuracy		-0.05%		0.05%				
Over Temperature					-0.08%		0.08%	
<b>NOISE</b>								
Output Voltage Noise	$f = 0.1\text{ Hz to } 10\text{ Hz}$	7.5						$\mu\text{V}_{PP}$
<b>REF5040 (<math>V_{OUT} = 4.096\text{V}</math>)</b>								
<b>OUTPUT VOLTAGE</b>								
Output Voltage	$V_{OUT}$	4.096						V
Initial Accuracy		-0.05%		0.05%				
Over Temperature					-0.08%		0.08%	
<b>NOISE</b>								
Output Voltage Noise	$f = 0.1\text{ Hz to } 10\text{ Hz}$	12						$\mu\text{V}_{PP}$
<b>REF5050 (<math>V_{OUT} = 5\text{ V}</math>)</b>								
<b>OUTPUT VOLTAGE</b>								
Output Voltage	$V_{OUT}$	5						V
Initial Accuracy		-0.05%		0.05%				
Over Temperature					-0.08%		0.08%	
<b>NOISE</b>								
Output Voltage Noise	$f = 0.1\text{ Hz to } 10\text{ Hz}$	15						$\mu\text{V}_{PP}$

(1) For  $V_{OUT} \leq 2.5\text{ V}$ , the minimum supply voltage is 2.7 V.

## 6.6 Electrical Characteristics: All Devices

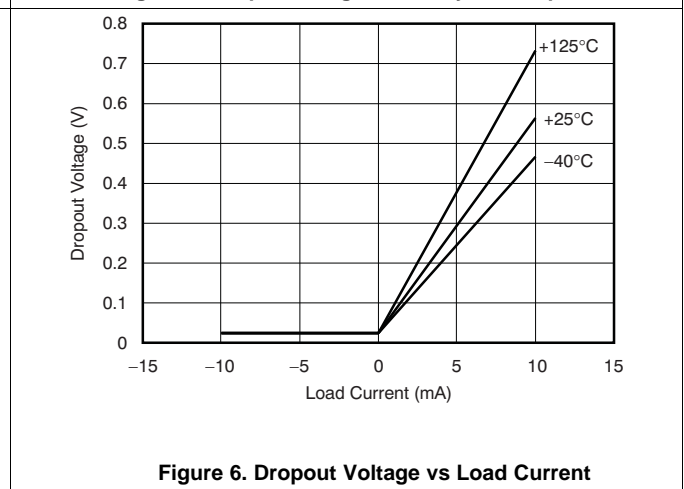
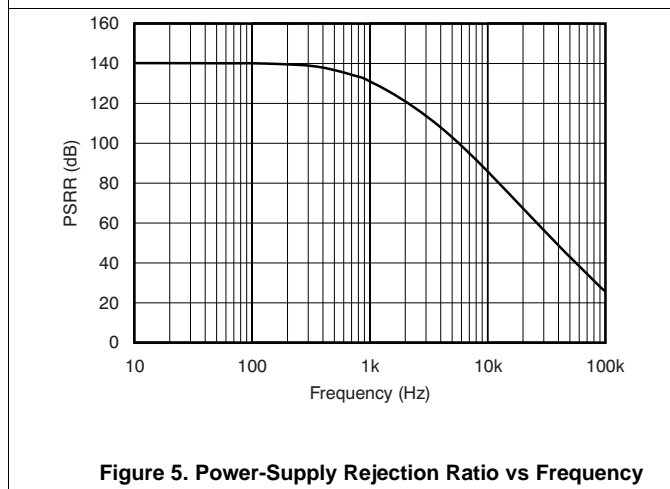
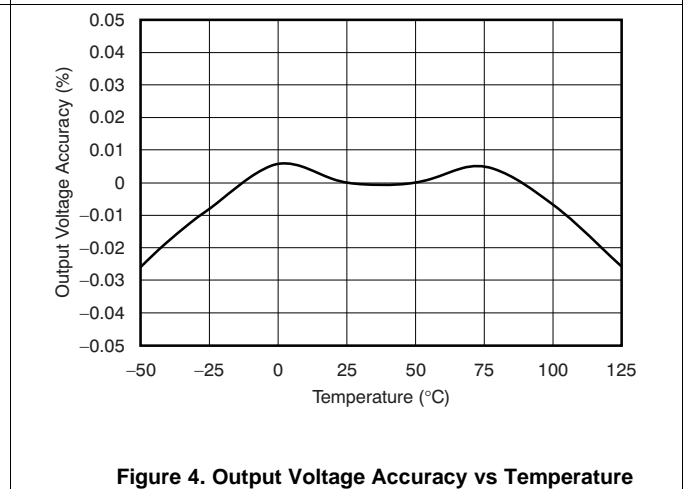
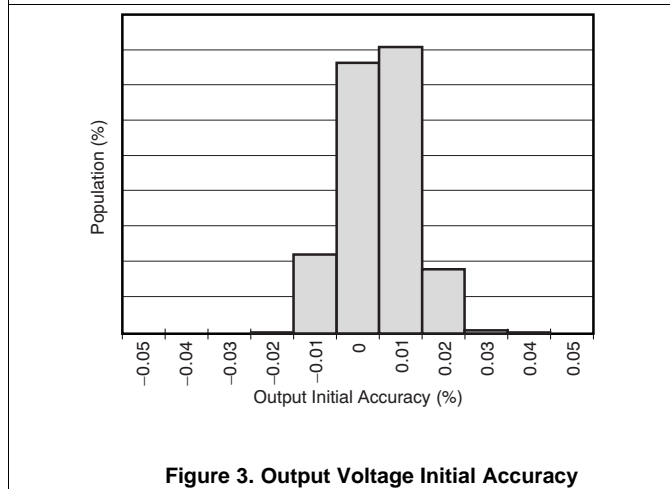
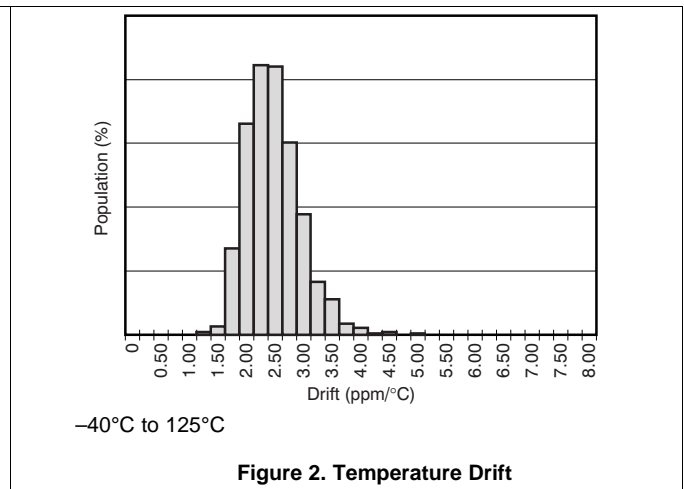
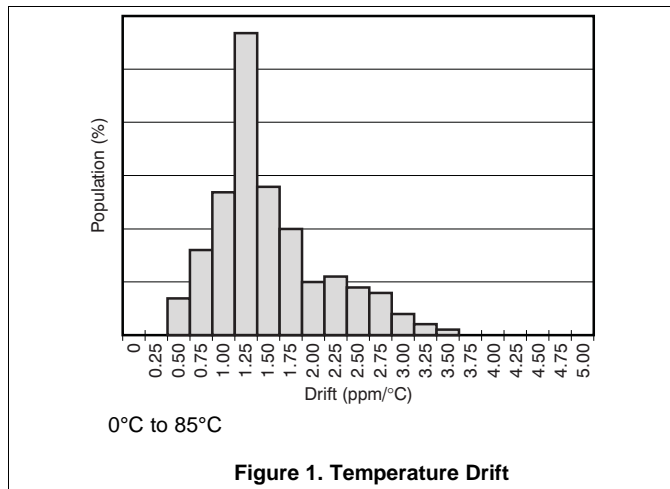
At  $T_A = 25^\circ\text{C}$ ,  $I_{\text{LOAD}} = 0$ ,  $C_L = 1\ \mu\text{F}$ , and  $V_{\text{IN}} = (V_{\text{OUT}} + 0.2\ \text{V})$  to 18 V, unless otherwise noted.

PARAMETER	TEST CONDITIONS	$T_A = 25^\circ\text{C}$			$T_A = -55^\circ\text{C to } 125^\circ\text{C}$			UNIT
		MIN	TYP	MAX	MIN	TYP	MAX	
<b>OUTPUT VOLTAGE TEMPERATURE DRIFT</b>								
Output Voltage Temperature Drift	$dV_{\text{OUT}}/dT$							
REF5025					4	6.5		ppm/ $^\circ\text{C}$
REF5050					4	6.5		ppm/ $^\circ\text{C}$
All other devices					3	5		ppm/ $^\circ\text{C}$
<b>LINE REGULATION</b>								
Line Regulation	$dV_{\text{OUT}}/dV_{\text{IN}}$							
REF5020 <sup>(1)</sup>	$V_{\text{IN}} = 2.7\ \text{V to } 18\ \text{V}$		0.1	1				ppm/V
All other devices	$V_{\text{IN}} = V_{\text{OUT}} + 0.2\ \text{V}$		0.1	1				ppm/V
Over Temperature					1	3		ppm/V
<b>LOAD REGULATION</b>								
Load Regulation	$dV_{\text{OUT}}/dI_{\text{LOAD}}$							
REF5020	$-10\ \text{mA} < I_{\text{LOAD}} < +10\ \text{mA}$ , $V_{\text{IN}} = 3\ \text{V}$		20	30				ppm/mA
All other devices	$-10\ \text{mA} < I_{\text{LOAD}} < +10\ \text{mA}$ , $V_{\text{IN}} = V_{\text{OUT}} + 0.75\ \text{V}$		20	30				ppm/mA
Over Temperature							60	ppm/mA
<b>SHORT-CIRCUIT CURRENT</b>								
Short-Circuit Current	$I_{\text{SC}}$	$V_{\text{OUT}} = 0$		25				mA
<b>TEMP PIN</b>								
Voltage Output		At $T_A = 25^\circ\text{C}$		575				mV
Temperature Sensitivity					2.64			mV/ $^\circ\text{C}$
<b>TURNON SETTLING TIME</b>								
Turnon Settling Time		To 0.1% with $C_L = 1\ \mu\text{F}$		200				$\mu\text{s}$
<b>POWER SUPPLY</b>								
Supply Voltage	$V_{\text{IN}}$	See Note <sup>(1)</sup>		$V_{\text{OUT}} + 0.2$ <sup>(1)</sup>		18		V
Quiescent Current				0.8		1		mA
Over Temperature							1.25	mA
<b>TEMPERATURE RANGE</b>								
Specified Range				-55		125		$^\circ\text{C}$
Operating Range				-55		125		$^\circ\text{C}$
Thermal Resistance	$\theta_{\text{JA}}$			150				$^\circ\text{C/W}$

(1) For  $V_{\text{OUT}} \leq 2.5\ \text{V}$ , the minimal supply voltage is 2.7 V.

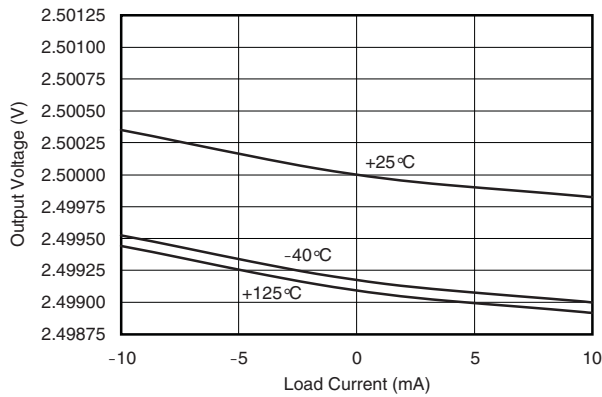
### 6.7 Typical Characteristics

At  $T_A = 25^\circ\text{C}$ ,  $I_{\text{LOAD}} = 0$ , and  $V_{\text{IN}} = V_{\text{OUT}} + 0.2\text{ V}$ , unless otherwise noted. For  $V_{\text{OUT}} \leq 2.5\text{ V}$ , the minimum supply voltage is 2.7 V.

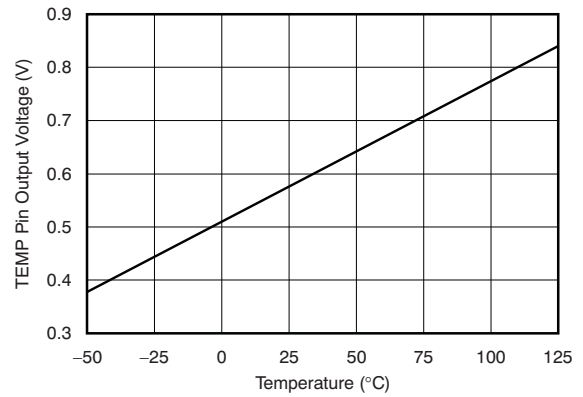


**Typical Characteristics (continued)**

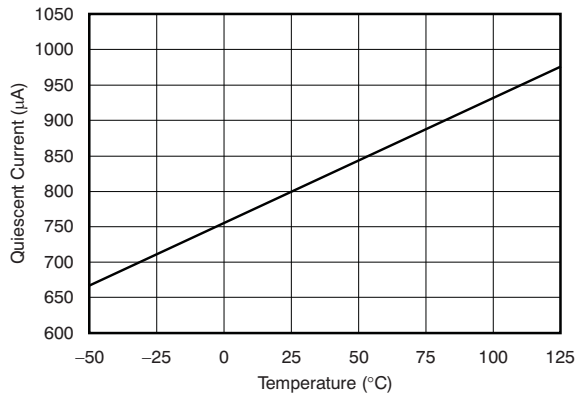
At  $T_A = 25^\circ\text{C}$ ,  $I_{\text{LOAD}} = 0$ , and  $V_{\text{IN}} = V_{\text{OUT}} + 0.2\text{ V}$ , unless otherwise noted. For  $V_{\text{OUT}} \leq 2.5\text{ V}$ , the minimum supply voltage is 2.7 V.



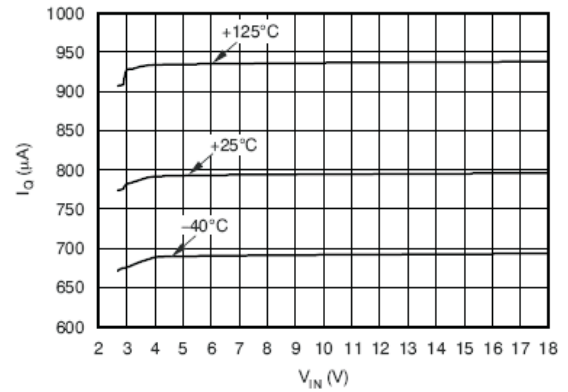
**Figure 7. REF5025 Output Voltage vs Load Current**



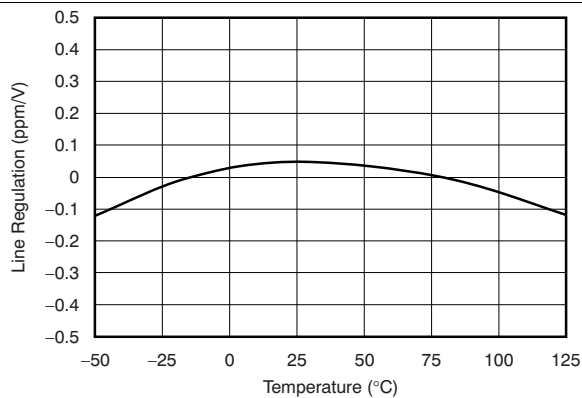
**Figure 8. Temp Pin Output vs Voltage Temperature**



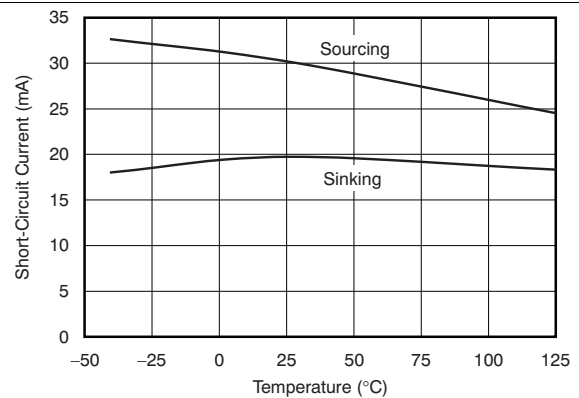
**Figure 9. Quiescent Current vs Temperature**



**Figure 10. Quiescent Current vs Input Voltage**



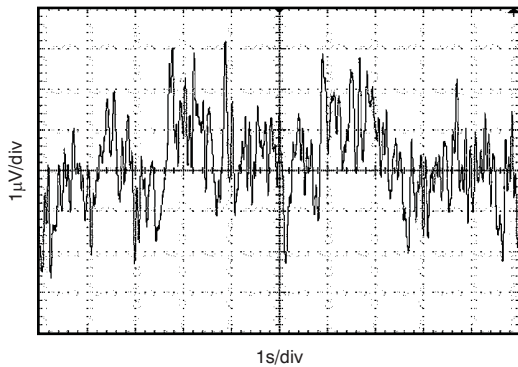
**Figure 11. Line Regulation vs Temperature**



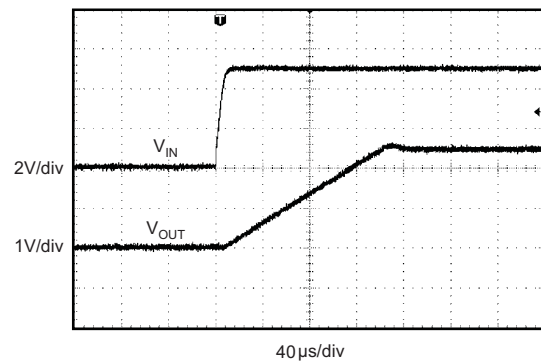
**Figure 12. Short-Circuit Current vs Temperature**

**Typical Characteristics (continued)**

At  $T_A = 25^\circ\text{C}$ ,  $I_{\text{LOAD}} = 0$ , and  $V_{\text{IN}} = V_{\text{OUT}} + 0.2\text{ V}$ , unless otherwise noted. For  $V_{\text{OUT}} \leq 2.5\text{ V}$ , the minimum supply voltage is 2.7 V.

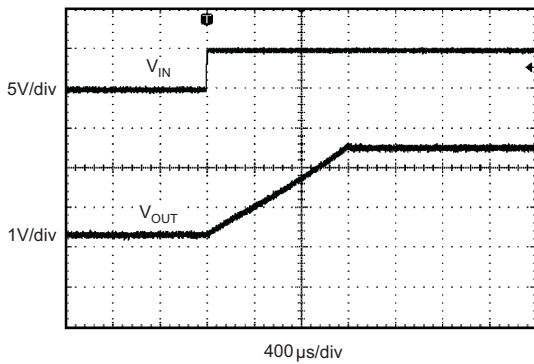


**Figure 13. NOISE**



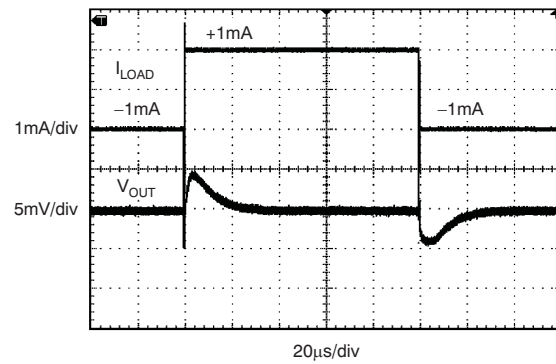
REF5025,  $C_L = 1\ \mu\text{F}$

**Figure 14. Start-up**



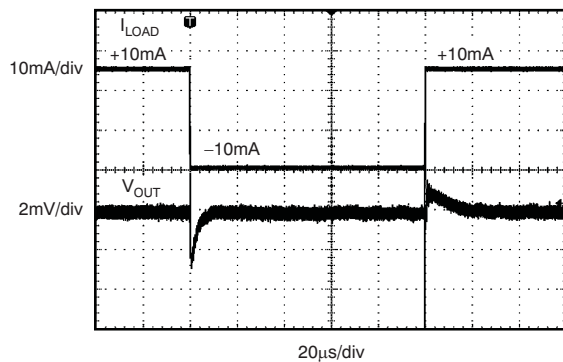
REF5025,  $C_L = 10\ \mu\text{F}$

**Figure 15. Start-up**



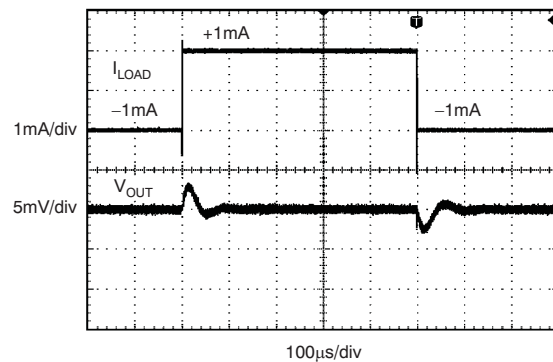
$C_L = 1\ \mu\text{F}$ ,  $I_{\text{OUT}} = 1\ \text{mA}$

**Figure 16. Load Transient**



$C_L = 1\ \mu\text{F}$ ,  $I_{\text{OUT}} = 10\ \text{mA}$

**Figure 17. Load Transient**



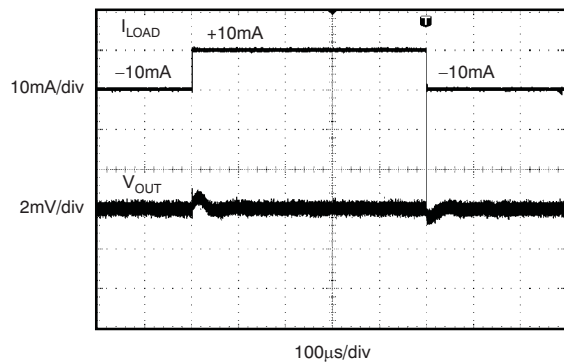
$C_L = 10\ \mu\text{F}$ ,  $I_{\text{OUT}} = 1\ \text{mA}$

**Figure 18. Load Transient**



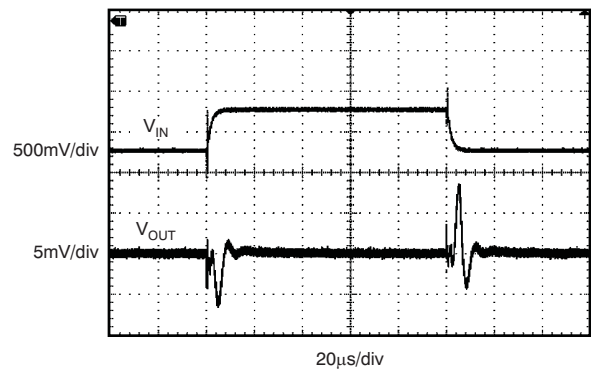
**Typical Characteristics (continued)**

At  $T_A = 25^\circ\text{C}$ ,  $I_{\text{LOAD}} = 0$ , and  $V_{\text{IN}} = V_{\text{OUT}} + 0.2 \text{ V}$ , unless otherwise noted. For  $V_{\text{OUT}} \leq 2.5 \text{ V}$ , the minimum supply voltage is 2.7 V.



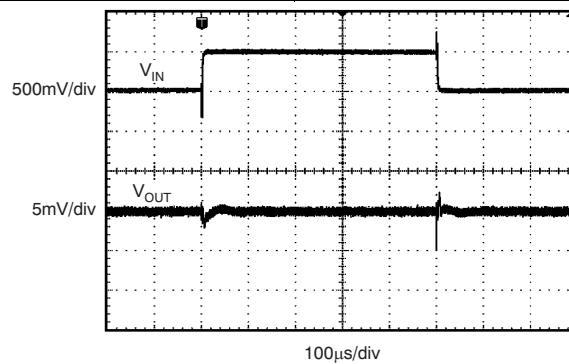
$C_L = 10 \mu\text{F}$ ,  $I_{\text{OUT}} = 10 \text{ mA}$

**Figure 19. Load Transient**



$C_L = 1 \mu\text{F}$

**Figure 20. Line Transient**



$C_L = 10 \mu\text{F}$

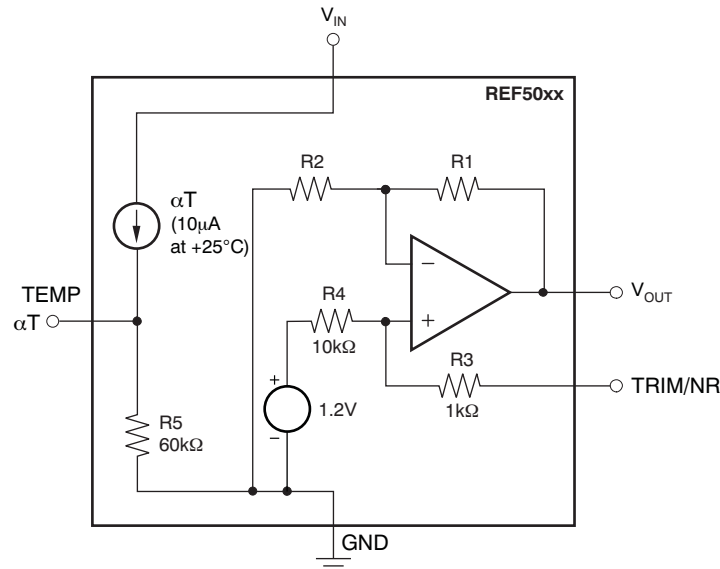
**Figure 21. Line Transient**

## 7 Detailed Description

### 7.1 Overview

The REF50xx devices are low-noise, low-drift, very high precision voltage references. These references can both sink and source, and are very robust with regard to line and load changes.

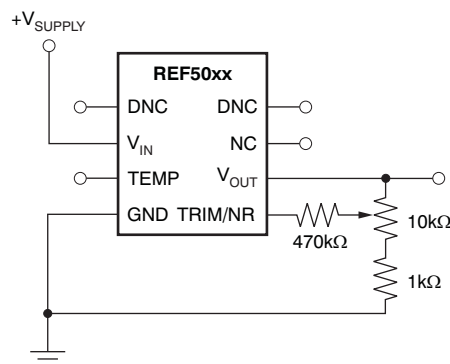
### 7.2 Functional Block Diagram



### 7.3 Feature Description

#### 7.3.1 Output Adjustment Using The TRIM/NR Pin

The REF50xx provides a very accurate, factory-trimmed voltage output. However,  $V_{OUT}$  can be adjusted using the trim and noise reduction pin (TRIM/NR, pin 5). [Figure 22](#) shows a typical circuit that allows an output adjustment of  $\pm 15$  mV



**Figure 22.  $V_{OUT}$  Adjustment Using the TRIM/NR Pin**

The REF50xx allows access to the bandgap through the TRIM/NR pin. Placing a capacitor from the TRIM/NR pin to GND (see [Figure 24](#)) in combination with the internal  $R_3$  and  $R_4$  resistors creates a low-pass filter. A capacitance of  $1 \mu\text{F}$  creates a low-pass filter with the corner frequency between 10 Hz and 20 Hz. Such a filter decreases the overall noise measured on the  $V_{OUT}$  pin by half. Higher capacitance results in a lower filter cutoff frequency, further reducing output noise. Use of this capacitor increases start-up time.

## Feature Description (continued)

### 7.3.2 Low Temperature Drift

The REF50xx is designed for minimal drift error, which is defined as the change in output voltage over temperature. The drift is calculated using the box method, as described by [Equation 1](#):

$$\text{Drift} = \left( \frac{V_{\text{OUTMAX}} - V_{\text{OUTMIN}}}{V_{\text{OUT}} \times \text{Temp Range}} \right) \times 10^6 (\text{ppm}) \quad (1)$$

The REF50xx features a maximum drift coefficient of 3 ppm/°C for the high-grade version, and 8 ppm/°C for the standard-grade.

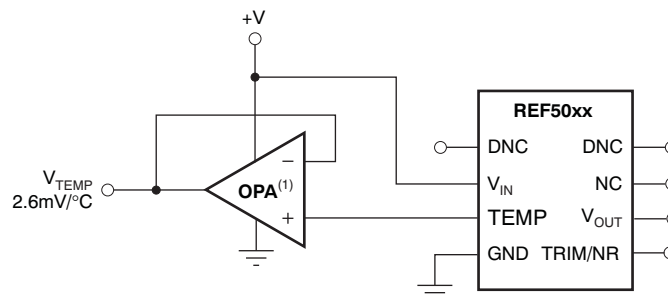
### 7.3.3 Temperature Monitoring

The temperature output terminal (TEMP, pin 3) provides a temperature-dependent voltage output with approximately 60-kΩ source impedance. As seen in [Figure 8](#), the output voltage follows the nominal relationship:

$$V_{\text{TEMP PIN}} = 509 \text{ mV} + 2.64 \times T(^{\circ}\text{C}) \quad (2)$$

This pin indicates general chip temperature, accurate to approximately ±15°C. Although it is not generally suitable for accurate temperature measurements, it can be used to indicate temperature changes or for temperature compensation of analog circuitry. A temperature change of 30°C corresponds to an approximate 79 mV change in voltage at the TEMP pin.

The TEMP pin has high output impedance (see [Functional Block Diagram](#)). Loading this pin with a low-impedance circuit induces a measurement error; however, it does not have any effect on  $V_{\text{OUT}}$  accuracy. To avoid errors caused by low-impedance loading, buffer the TEMP pin output with a suitable low-temperature drift operational amplifiers, such as the [OPA333](#), [OPA335](#), or [OPA376](#), as shown in [Figure 23](#).



NOTE: (1) Low drift op amp, such as the OPA333, OPA335, or OPA376.

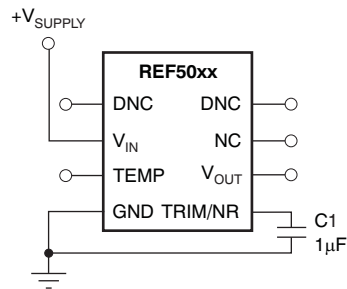
**Figure 23. Buffering the TEMP Pin Output**

### 7.3.4 Noise Performance

Typical 0.1-Hz to 10-Hz voltage noise for each member of the REF50xx family is specified in the [Electrical Characteristics: Per Device](#) table. The noise voltage increases with output voltage and operating temperature. Additional filtering can be used to improve output noise levels, although take care to ensure the output impedance does not degrade performance.

For additional information about how to minimize noise and maximize performance in mixed-signal applications such as data converters, refer to the series of *Analog Applications Journal* articles entitled, *How a Voltage Reference Affects ADC Performance*. This three-part series is available for download from the TI website under three literature numbers: [SLYT331](#), [SLYT339](#), and [SLYT355](#), respectively.

## Feature Description (continued)



**Figure 24. Noise Reduction Using the TRIM/NR Pin**

## 7.4 Device Functional Modes

The REF50xx is powered on when the voltage on the  $V_{IN}$  pin is greater than  $V_{OUT} + 0.2$  V, except for the REF5020 and REF5025, where the minimum supply voltage is 2.7 V. The maximum input voltage for the REF50xx is 18 V. Use a supply bypass capacitor ranging from 1  $\mu$ F to 10  $\mu$ F. The total capacitive load at the output must be between 1  $\mu$ F to 50  $\mu$ F to ensure best output stability.

## 8 Application and Implementation

### NOTE

Information in the following applications sections is not part of the TI component specification, and TI does not warrant its accuracy or completeness. TI's customers are responsible for determining suitability of components for their purposes. Customers should validate and test their design implementation to confirm system functionality.

### 8.1 Application Information

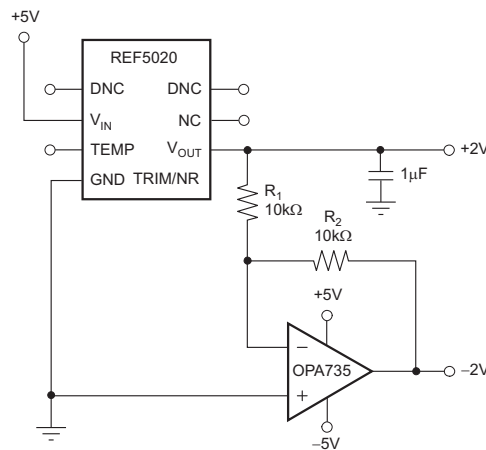
The REF50xx devices are low-noise, precision bandgap voltage references that are specifically designed for excellent initial voltage accuracy and drift. View the [Functional Block Diagram](#) of the REF50xx.

When designing circuits with a voltage reference, output noise is one of the main concerns. The main source of voltage noise in the reference voltages originates from the bandgap and output amplifier, which contribute significantly to the overall noise. During the design process, it is important to minimize these sources of voltage noise.

### 8.2 Typical Applications

#### 8.2.1 Negative Reference Voltage

For applications requiring a negative and positive reference voltage, the REF50xx and OPA735 can be used to provide a dual-supply reference from a 5-V supply. [Figure 25](#) shows the REF5020 used to provide a 2.5-V supply reference voltage. The low-drift performance of the REF50xx complements the low offset voltage and zero drift of the OPA735 to provide an accurate solution for split-supply applications. Care must be taken to match the temperature coefficients of  $R_1$  and  $R_2$ .



NOTE: Bypass capacitors not shown.

**Figure 25. The REF5020 and OPA735 Create Positive and Negative Reference Voltages**

#### 8.2.1.1 Design Requirements

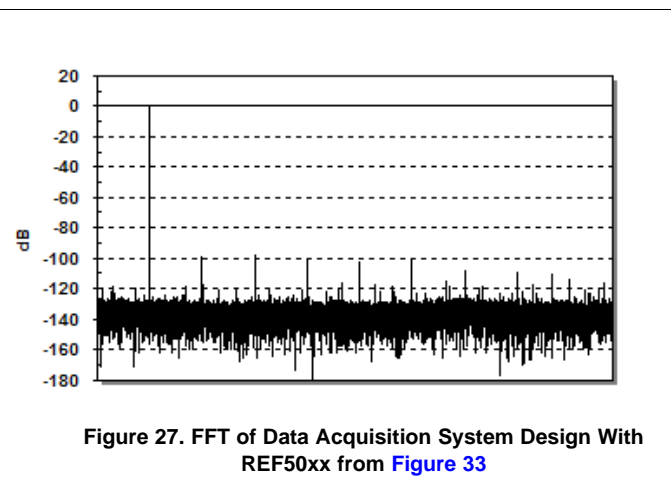
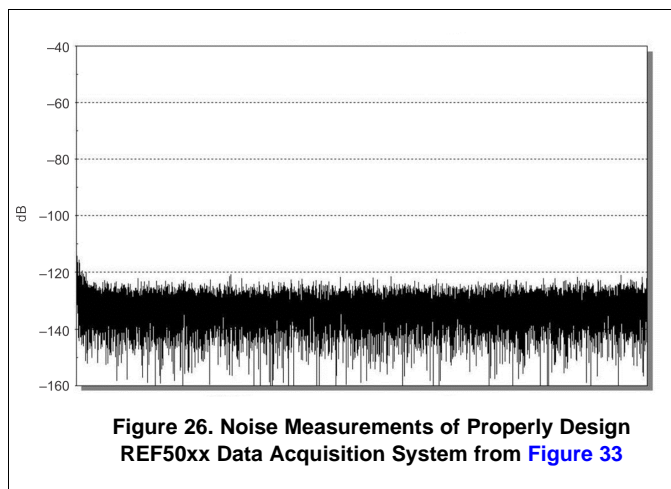
When using REF50xx in the design, it is important to select proper capacitive load that will not create gain peaking adding noise to the output voltage. At the same time, the capacitor must be selected to provide required filtering performance for the system. In addition, input bypass capacitor and noise reduction capacitors must be added for optimum performances.

#### 8.2.1.2 Detailed Design Procedure

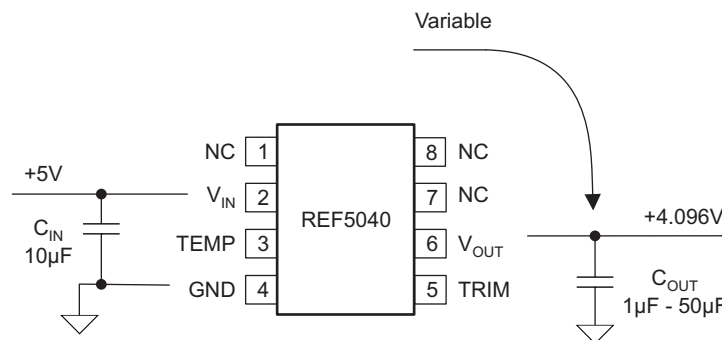
Proper design procedure will require first to select output capacitor. If the ESR of the capacitor is not in 1- $\Omega$  range additional resistor must be added in series with the load capacitor. Next, add a 1- $\mu$ F capacitor to the NR pin to reduce internal noise of the REF50xx. Measuring output noise will confirm if the design has met the initial target.

## Typical Applications (continued)

### 8.2.1.3 Application Curves



## 8.2.2 Positive Reference Voltage



**Figure 28. REF50xx With Load Capacitor**

### 8.2.2.1 Detailed Design Procedure

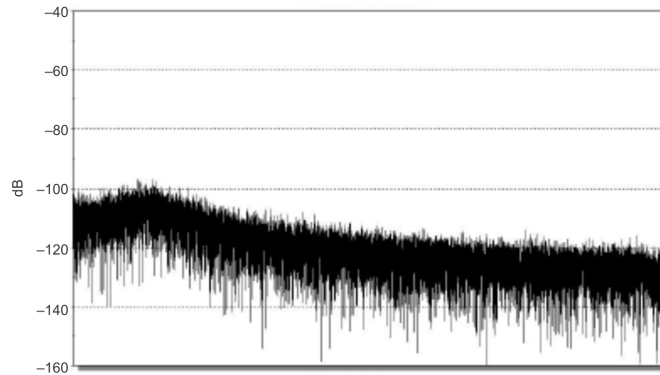
#### 8.2.2.1.1 Load Capacitance

To determine how much noise the reference voltage is contributing in a real application, this design uses the circuit presented in [Figure 28](#). For the same conditions as power supply, input decoupling, and load current, measure the output noise for different output decoupling or load capacitors. The load capacitor type will change the low-pass filter frequency that is created on the output. This filter is determined by an added capacitor value and two parasitic components: the open-loop output impedance of the internal amplifier to the reference voltage, and the ESR of the external capacitor.

[Figure 29](#) shows a fast-Fourier-transform (FFT) plot of the output signal of the reference voltage circuit with a 10-µF ceramic capacitor load. The output noise level peaks at around 9 kHz because of the response of the internal amplifier of the circuit to the capacitive load ( $C_L$ ).

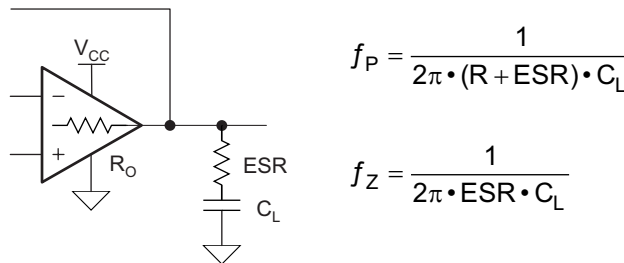
This peaking is the main contributor to the overall measured noise. This output noise, measured with an analog meter over a frequency range of up to 80 kHz, is approximately 16.5 µVRMS. If the voltage-reference circuit was connected to the input of an ADC, the measured noise across a 65-kHz frequency range would be 138 µVPP. This noise level makes this solution adequate for 8- to 14-bit converters.

## Typical Applications (continued)



**Figure 29. REF50xx FFT Plot of the Noise With 10- $\mu$ F Load Capacitor and 10- $\mu$  $\Omega$  ESR**

Every capacitor can be represented with a complicated equivalent model, which is voltage and frequency dependent with a large number of passive components. For the purposes of this design, this model is limited to the few components. The biggest impact on the creation of the low-pass filter and stability analysis is the simplified model of equivalent series inductance and resistance. Considering good layout practice and inherently low equivalent series inductance of today's components, this model in the future analysis will be presented only by equivalent capacitance and series resistance.



**Figure 30. Equivalent SCH Of REF50xx With Load Capacitor for Stability Analysis**

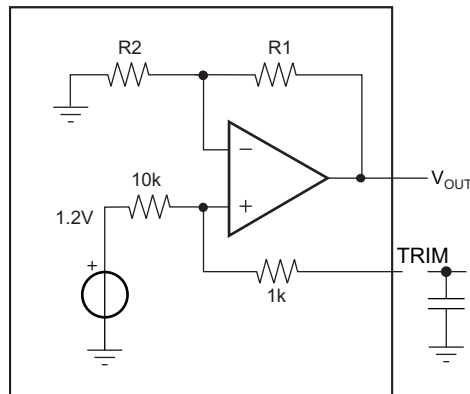
When evaluating the impact of ESR and  $C_L$  on the performance the reference voltage, it is important to include the effect of the open-loop output resistance ( $R_O$ ) of the output amplifier. The combination of  $R_O$ , ESR, and  $C_L$  modifies the open-loop response curve by introducing one pole ( $f_P$ ) and one zero ( $f_Z$ ). The values  $R_O$ , ESR, and  $C_L$  determine the corner frequency of the added pole  $f_P$ ; and the values of ESR and  $C_L$  determine the corner frequency of the added zero.

The introduction of the external ESR- $C_L$  on the output of the reference voltage modifies the output amplifier open-loop gain curve. The added pole modifies the open-loop gain curve of the reference voltage output amplifier by introducing a  $-20$  dB/decade change at the frequency  $f_P$  to the already  $-20$  dB/decade slope of the open-loop gain curve, making the slope equal to  $-40$  dB/decade. The added zero at frequency  $f_Z$  changes the open-loop gain curve back to  $-20$  dB/decade.

**Typical Applications (continued)**
**Table 1. Noise Measurement Results for Different Load Capacitors**

NOISE	22 kHz LP-5P	30 kHz LP-3P	80 kHz LP-3P	>500 kHz	UNIT
GND	0.8	1	1.8	4.9	$\mu\text{V}_{\text{RMS}}$
1 $\mu\text{F}$	37.8	41.7	53.7	9,017	
2.2 $\mu\text{F}$ (cer)	41.7	46.2	55.1	60.8	
10 $\mu\text{F}$	33.4	33.4	35.2	38.5	
10 $\mu\text{F}$ (cer)	37.1	37.2	37.8	39.1	
20 $\mu\text{F}$ (cer)	33.1	33.1	33.2	34.5	
47 $\mu\text{F}$	23.2	23.8	24.1	26.5	

Table 1 shows the measured noise values for different frequency bandwidths as well as different values and types of external capacitors. These measurements show that low-ESR (approximately 100-m $\Omega$ ) ceramic capacitors tend to increase the noise, compared to normal-ESR (approximately 2- $\Omega$ ) tantalum capacitors. This tendency is caused by a stability issue with the output amplifier and gain peaking in the amplifier frequency response.

**8.2.2.1.2 Bandgap Noise Reduction**

**Figure 31. REF50xx Internal Structure of Trim/NR Pin**

The internal schematic of the REF50xx device shows that the trim pin allows direct access to the bandgap output. Figure 31 shows the trim pin connection to the internal bandgap circuit through a resistor. Adding a capacitor on the trim pin creates a lowpass filter that has a broadband attenuation of -21 dB.

For example, a small 1- $\mu\text{F}$  capacitor adds a pole at 14.5 Hz and a zero at 160 Hz. If more filtering is needed, a larger value capacitor can be added, which will lower the filter cutoff frequency and the noise contributed by the bandgap.



**Table 2. Measured Noise ( $\mu\text{V}_{\text{RMS}}$ ) for Four Bandwidths**

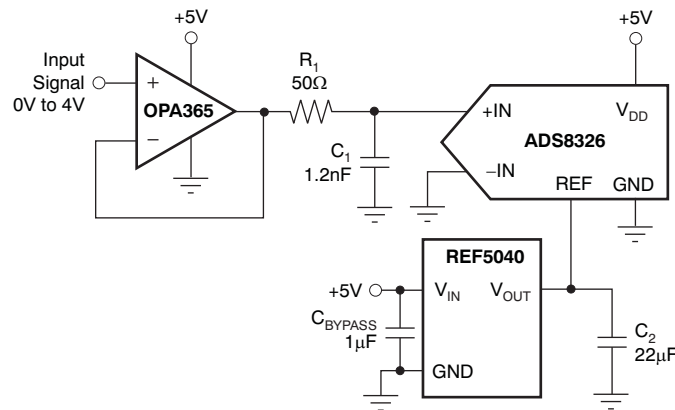
NOISE	22 kHz (LOW-PASS 5-POLE)	30 kHz (LOW-PASS 3-POLE)	80 kHz (LOW-PASS 3-POLE)	> 500 kHz	UNIT
GND	0.8	1	1.8	4.6	$\mu\text{V}_{\text{RMS}}$
2.2 $\mu\text{F}$ (ceramic)	42.5	47.2	61.2	68.3	
2.2 $\mu\text{F}$ + 1 $\mu\text{F}$	17.5	19.4	22.6	24.5	
10 $\mu\text{F}$ (ceramic)	34.4	35.6	37.7	44.5	
10 $\mu\text{F}$ + 1 $\mu\text{F}$	14.1	14.4	14.9	16.4	
20 $\mu\text{F}$ (ceramic)	34.8	34.9	35.1	35.2	
20 $\mu\text{F}$ + 1 $\mu\text{F}$	14.4	14.4	14.7	15.1	

Adding a 1- $\mu\text{F}$  capacitor in this example filters the noise contribution of the bandgap and lowers the total noise by a factor of 2.5 times.

### 8.3 System Example

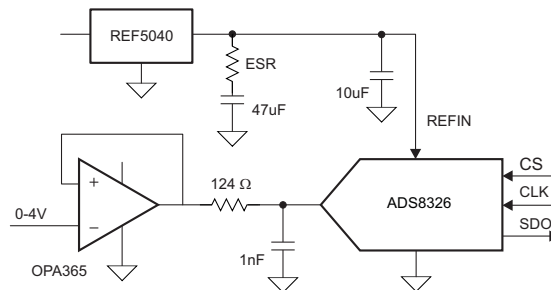
#### 8.3.1 Data Acquisition

Data acquisition systems often require stable voltage references to maintain accuracy. The REF50xx family features low noise, very low drift, and high initial accuracy for high-performance data converters. Figure 32 shows the REF5040 in a basic data acquisition system.



**Figure 32. Basic Data Acquisition System**

During the design of the data acquisition system, equal consideration must be given to the buffering analog input signal as well as the reference voltage. Having a properly designed input buffer with an associated RC filter is a necessary requirement, but does not ensure the maximum performance.



**Figure 33. Complete Data Acquisition System Using REF50xx**

Three measurements using different components of the output are shown for this data acquisition system.

**System Example (continued)**
**Table 3. Data Acquisition Measurement Results for Different Conditions**

OPA365 REF5040 TRIM	124 $\Omega$ , 1 nF 10 $\mu$ F 0 $\mu$ F	124 $\Omega$ , 1 nF 10 $\mu$ F + 47 $\mu$ F 1 $\mu$ F	124 $\Omega$ , 100 $\mu$ F 10 $\mu$ F + 47 $\mu$ F 1 $\mu$ F	UNIT
Resolution	16	16	16	Bits
States	65536	65536	65536	
$V_{REF}$	4.096	4.096	4.096	V
LSB	62.5	62.5	62.5	$\mu$ V
$V_{IN}$	4.02	4.02	4.02	V
Data Std	1.07	0.53	0.41	LSB
Noise	67.0	33.4	25.8	$\mu$ V <sub>RMS</sub>
Noise	442.3	220.5	170.2	$\mu$ V <sub>PP</sub>
SNR	86.7	92.8	95.0	dB
FTT Points	32768	32768	32768	
Noise Flor	-128.8	-134.9	-131.7	dB

Once the correct components for data acquisition system from [Figure 33](#) are selected, measurement results can be compared to the ADS8326 data sheet specifications.

**Table 4. AC Performance for Data Acquisition System from [Figure 33](#)**

REF5040 TRIM	ADS8326 DATA SHEET	ADS8326B DATA SHEET	SYSTEM LOW ESR	SYSTEM 10 $\mu$ F + 47 $\mu$ F 1 $\mu$ F	UNIT
SNR	91	91.5	90.6	92.2	dB
SINAD	87.5	88	85.7	89.5	dB
SFDR	94	95	88.3	98.4	dB
THD	-90	-91	-87.3	-92.9	dB
ENOB	14.28	14.35	13.94	14.58	Bits

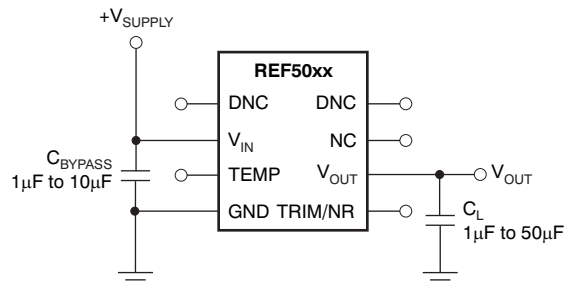
[Table 3](#) shows improvements on the FFT for a properly designed system.

## 9 Power Supply Recommendations

The maximum voltage drop between the input and output pin is 0.2 V. The minimum power supply voltage for the specific REF50xx device depends on the value of the output voltage, ( $V_{INMIN} = V_{OUT} + 0.2$  V). The exception to this rule is the REF5020, which requires a minimum 2.7-V power supply for proper operation. The maximum power supply voltage for the REF50xx series is 18 V. TI recommends adding a bypass capacitor of 1  $\mu$ F to 10  $\mu$ F at the input to compensate for the layout and power supply source impedance.

### 9.1 Basic Connections

Figure 34 shows the typical connections for the REF50xx. TI recommends a supply bypass capacitor ranging from 1  $\mu$ F to 10  $\mu$ F. A 1- $\mu$ F to 50- $\mu$ F output capacitor ( $C_L$ ) must be connected from  $V_{OUT}$  to GND. The ESR value of  $C_L$  must be less than or equal to 1.5  $\Omega$  to ensure output stability. To minimize noise, the recommended ESR of  $C_L$  is between 1  $\Omega$  and 1.5  $\Omega$ .



**Figure 34. Basic Connections**

### 9.2 Low Dropout Voltage

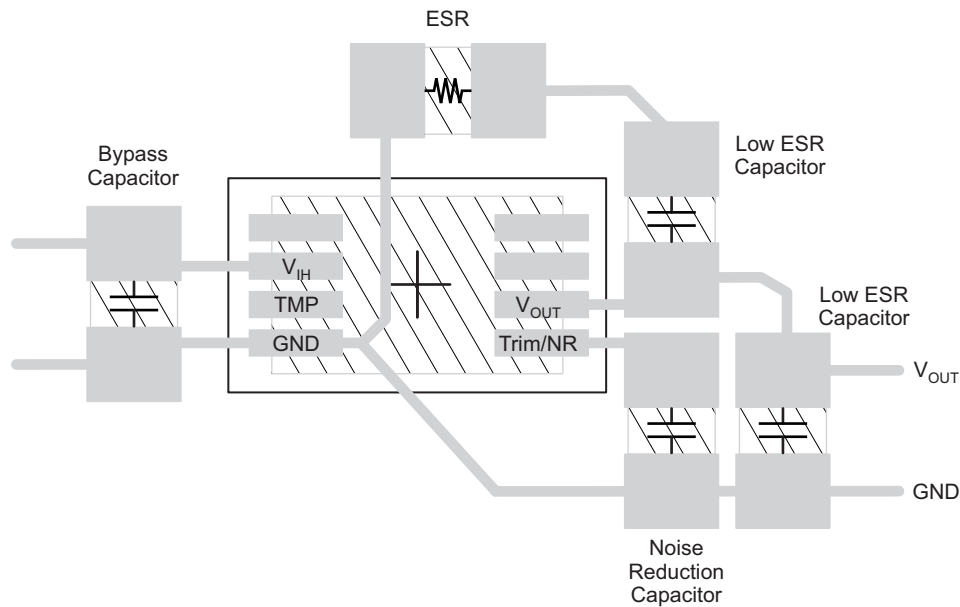
The REF50xx family of voltage references features extremely low dropout voltage. With the exception of the REF5020, which has a minimum supply requirement of 2.7 V, these references can be operated with a supply of 200 mV above the output voltage in an unloaded condition. For loaded conditions, a typical dropout voltage versus load plot is shown in Figure 6 in *Typical Characteristics*.

## 10 Layout

### 10.1 Layout Guidelines

- Place the power-supply bypass capacitor as closely as possible to the  $V_{IN}$  pin and ground pins. The recommended value of this bypass capacitor is 1  $\mu$ F to 10  $\mu$ F. If necessary, additional decoupling capacitance can be added to compensate for noisy or high-impedance power supplies.
- Place a 1- $\mu$ F noise filtering capacitor between the NR pin and ground.
- The output must be decoupled with a 1- $\mu$ F to 50- $\mu$ F capacitor. In series with load capacitor, add an ESR of 1  $\Omega$  for the best noise performance.
- A high-frequency, 1- $\mu$ F capacitor can be added in parallel between the output and ground to filter noise and help with switching loads as data converters.

## 10.2 Layout Example



**Figure 35. Recommended Layout for REF50xx**

## 10.3 Power Dissipation

The REF50xx family is specified to deliver current loads of  $\pm 10$  mA over the specified input voltage range. The temperature of the device increases according to the equation:

$$T_J = T_A + P_D \times R_{\theta JA}$$

where

- $T_J$  = Junction temperature ( $^{\circ}\text{C}$ )
- $T_A$  = Ambient temperature ( $^{\circ}\text{C}$ )
- $P_D$  = Power dissipated (W)
- $R_{\theta JA}$  = Junction-to-ambient thermal resistance ( $^{\circ}\text{C}/\text{W}$ )

(3)

The REF50xx junction temperature must not exceed the absolute maximum rating of  $150^{\circ}\text{C}$ .

## 11 Device and Documentation Support

### 11.1 Documentation Support

#### 11.1.1 Related Documentation

For related documentation see the following:

- *0.05uV/degC (max), Single-Supply CMOS Zero-Drift Series Operational Amplifier*, [SBOS282](#)
- REF5020 PSpice Model, [SLIM160](#)
- REF5020 TINA-TI Reference Design, [SLIM159](#)
- REF5020 TINA-TI Spice Model, [SLIM158](#)
- INA270 PSpice Model, [SBOM485](#)
- INA270 TINA-TI Reference Design, [SBOC246](#)
- INA270 TINA-TI Spice Model, [SBOM306](#)

#### 11.2 Related Links

The table below lists quick access links. Categories include technical documents, support and community resources, tools and software, and quick access to sample or buy.

**Table 5. Related Links**

PARTS	PRODUCT FOLDER	SAMPLE & BUY	TECHNICAL DOCUMENTS	TOOLS & SOFTWARE	SUPPORT & COMMUNITY
REF5020-EP	<a href="#">Click here</a>	<a href="#">Click here</a>	<a href="#">Click here</a>	<a href="#">Click here</a>	<a href="#">Click here</a>
REF5025-EP	<a href="#">Click here</a>	<a href="#">Click here</a>	<a href="#">Click here</a>	<a href="#">Click here</a>	<a href="#">Click here</a>
REF5040-EP	<a href="#">Click here</a>	<a href="#">Click here</a>	<a href="#">Click here</a>	<a href="#">Click here</a>	<a href="#">Click here</a>
REF5050-EP	<a href="#">Click here</a>	<a href="#">Click here</a>	<a href="#">Click here</a>	<a href="#">Click here</a>	<a href="#">Click here</a>

#### 11.3 Community Resources

The following links connect to TI community resources. Linked contents are provided "AS IS" by the respective contributors. They do not constitute TI specifications and do not necessarily reflect TI's views; see TI's [Terms of Use](#).

**TI E2E™ Online Community** *TI's Engineer-to-Engineer (E2E) Community*. Created to foster collaboration among engineers. At [e2e.ti.com](http://e2e.ti.com), you can ask questions, share knowledge, explore ideas and help solve problems with fellow engineers.

**Design Support** *TI's Design Support* Quickly find helpful E2E forums along with design support tools and contact information for technical support.

#### 11.4 Trademarks

E2E is a trademark of Texas Instruments.

All other trademarks are the property of their respective owners.

#### 11.5 Electrostatic Discharge Caution



These devices have limited built-in ESD protection. The leads should be shorted together or the device placed in conductive foam during storage or handling to prevent electrostatic damage to the MOS gates.

#### 11.6 Glossary

**SLYZ022** — *TI Glossary*.

This glossary lists and explains terms, acronyms, and definitions.

## 12 Mechanical, Packaging, and Orderable Information

The following pages include mechanical, packaging, and orderable information. This information is the most current data available for the designated devices. This data is subject to change without notice and revision of this document. For browser-based versions of this data sheet, refer to the left-hand navigation.

**PACKAGING INFORMATION**

Orderable Device	Status (1)	Package Type	Package Drawing	Pins	Package Qty	Eco Plan (2)	Lead/Ball Finish (6)	MSL Peak Temp (3)	Op Temp (°C)	Device Marking (4/5)	Samples
REF5020MDREP	ACTIVE	SOIC	D	8	2500	Green (RoHS & no Sb/Br)	CU NIPDAU	Level-2-260C-1 YEAR	-55 to 125	5020EP	<a href="#">Samples</a>
REF5025MDTEP	ACTIVE	SOIC	D	8	250	Green (RoHS & no Sb/Br)	CU NIPDAU	Level-2-260C-1 YEAR		5025EP	<a href="#">Samples</a>
REF5040MDREP	ACTIVE	SOIC	D	8	2500	Green (RoHS & no Sb/Br)	CU NIPDAU	Level-2-260C-1 YEAR	-55 to 125	5040EP	<a href="#">Samples</a>
REF5050MDREP	ACTIVE	SOIC	D	8	2500	Green (RoHS & no Sb/Br)	CU NIPDAU	Level-2-260C-1 YEAR	-55 to 125	5050EP	<a href="#">Samples</a>
V62/10613-01XE	ACTIVE	SOIC	D	8	2500	Green (RoHS & no Sb/Br)	CU NIPDAU	Level-2-260C-1 YEAR	-55 to 125	5020EP	<a href="#">Samples</a>
V62/10613-02XE	ACTIVE	SOIC	D	8	2500	Green (RoHS & no Sb/Br)	CU NIPDAU	Level-2-260C-1 YEAR	-55 to 125	5040EP	<a href="#">Samples</a>
V62/10613-03XE	ACTIVE	SOIC	D	8	2500	Green (RoHS & no Sb/Br)	CU NIPDAU	Level-2-260C-1 YEAR	-55 to 125	5050EP	<a href="#">Samples</a>
V62/10613-04XE	ACTIVE	SOIC	D	8	250	Green (RoHS & no Sb/Br)	CU NIPDAU	Level-2-260C-1 YEAR		5025EP	<a href="#">Samples</a>

(1) The marketing status values are defined as follows:

**ACTIVE:** Product device recommended for new designs.

**LIFEBUY:** TI has announced that the device will be discontinued, and a lifetime-buy period is in effect.

**NRND:** Not recommended for new designs. Device is in production to support existing customers, but TI does not recommend using this part in a new design.

**PREVIEW:** Device has been announced but is not in production. Samples may or may not be available.

**OBSOLETE:** TI has discontinued the production of the device.

(2) Eco Plan - The planned eco-friendly classification: Pb-Free (RoHS), Pb-Free (RoHS Exempt), or Green (RoHS & no Sb/Br) - please check <http://www.ti.com/productcontent> for the latest availability information and additional product content details.

**TBD:** The Pb-Free/Green conversion plan has not been defined.

**Pb-Free (RoHS):** TI's terms "Lead-Free" or "Pb-Free" mean semiconductor products that are compatible with the current RoHS requirements for all 6 substances, including the requirement that lead not exceed 0.1% by weight in homogeneous materials. Where designed to be soldered at high temperatures, TI Pb-Free products are suitable for use in specified lead-free processes.

**Pb-Free (RoHS Exempt):** This component has a RoHS exemption for either 1) lead-based flip-chip solder bumps used between the die and package, or 2) lead-based die adhesive used between the die and leadframe. The component is otherwise considered Pb-Free (RoHS compatible) as defined above.

**Green (RoHS & no Sb/Br):** TI defines "Green" to mean Pb-Free (RoHS compatible), and free of Bromine (Br) and Antimony (Sb) based flame retardants (Br or Sb do not exceed 0.1% by weight in homogeneous material)

(3) MSL, Peak Temp. - The Moisture Sensitivity Level rating according to the JEDEC industry standard classifications, and peak solder temperature.

(4) There may be additional marking, which relates to the logo, the lot trace code information, or the environmental category on the device.

(5) Multiple Device Markings will be inside parentheses. Only one Device Marking contained in parentheses and separated by a "~" will appear on a device. If a line is indented then it is a continuation of the previous line and the two combined represent the entire Device Marking for that device.

(6) Lead/Ball Finish - Orderable Devices may have multiple material finish options. Finish options are separated by a vertical ruled line. Lead/Ball Finish values may wrap to two lines if the finish value exceeds the maximum column width.

**Important Information and Disclaimer:**The information provided on this page represents TI's knowledge and belief as of the date that it is provided. TI bases its knowledge and belief on information provided by third parties, and makes no representation or warranty as to the accuracy of such information. Efforts are underway to better integrate information from third parties. TI has taken and continues to take reasonable steps to provide representative and accurate information but may not have conducted destructive testing or chemical analysis on incoming materials and chemicals. TI and TI suppliers consider certain information to be proprietary, and thus CAS numbers and other limited information may not be available for release.

In no event shall TI's liability arising out of such information exceed the total purchase price of the TI part(s) at issue in this document sold by TI to Customer on an annual basis.

**OTHER QUALIFIED VERSIONS OF REF5020-EP, REF5025-EP, REF5040-EP, REF5050-EP :**

- Catalog: [REF5020](#), [REF5025](#), [REF5040](#), [REF5050](#)

NOTE: Qualified Version Definitions:

- Catalog - TI's standard catalog product



## TAPE AND REEL INFORMATION



### QUADRANT ASSIGNMENTS FOR PIN 1 ORIENTATION IN TAPE



\*All dimensions are nominal

Device	Package Type	Package Drawing	Pins	SPQ	Reel Diameter (mm)	Reel Width W1 (mm)	A0 (mm)	B0 (mm)	K0 (mm)	P1 (mm)	W (mm)	Pin1 Quadrant
REF5025MDTEP	SOIC	D	8	250	180.0	12.4	6.4	5.2	2.1	8.0	12.0	Q1

TAPE AND REEL BOX DIMENSIONS





\*All dimensions are nominal

Device	Package Type	Package Drawing	Pins	SPQ	Length (mm)	Width (mm)	Height (mm)
REF5025MDTEP	SOIC	D	8	250	210.0	185.0	35.0

D (R-PDSO-G8)

PLASTIC SMALL OUTLINE



- NOTES:
- A. All linear dimensions are in inches (millimeters).
  - B. This drawing is subject to change without notice.
  -  Body length does not include mold flash, protrusions, or gate burrs. Mold flash, protrusions, or gate burrs shall not exceed 0.006 (0,15) each side.
  -  Body width does not include interlead flash. Interlead flash shall not exceed 0.017 (0,43) each side.
  - E. Reference JEDEC MS-012 variation AA.

D (R-PDSO-G8)

PLASTIC SMALL OUTLINE



4211283-2/E 08/12

- NOTES:
- A. All linear dimensions are in millimeters.
  - B. This drawing is subject to change without notice.
  - C. Publication IPC-7351 is recommended for alternate designs.
  - D. Laser cutting apertures with trapezoidal walls and also rounding corners will offer better paste release. Customers should contact their board assembly site for stencil design recommendations. Refer to IPC-7525 for other stencil recommendations.
  - E. Customers should contact their board fabrication site for solder mask tolerances between and around signal pads.

## IMPORTANT NOTICE

Texas Instruments Incorporated and its subsidiaries (TI) reserve the right to make corrections, enhancements, improvements and other changes to its semiconductor products and services per JESD46, latest issue, and to discontinue any product or service per JESD48, latest issue. Buyers should obtain the latest relevant information before placing orders and should verify that such information is current and complete. All semiconductor products (also referred to herein as "components") are sold subject to TI's terms and conditions of sale supplied at the time of order acknowledgment.

TI warrants performance of its components to the specifications applicable at the time of sale, in accordance with the warranty in TI's terms and conditions of sale of semiconductor products. Testing and other quality control techniques are used to the extent TI deems necessary to support this warranty. Except where mandated by applicable law, testing of all parameters of each component is not necessarily performed.

TI assumes no liability for applications assistance or the design of Buyers' products. Buyers are responsible for their products and applications using TI components. To minimize the risks associated with Buyers' products and applications, Buyers should provide adequate design and operating safeguards.

TI does not warrant or represent that any license, either express or implied, is granted under any patent right, copyright, mask work right, or other intellectual property right relating to any combination, machine, or process in which TI components or services are used. Information published by TI regarding third-party products or services does not constitute a license to use such products or services or a warranty or endorsement thereof. Use of such information may require a license from a third party under the patents or other intellectual property of the third party, or a license from TI under the patents or other intellectual property of TI.

Reproduction of significant portions of TI information in TI data books or data sheets is permissible only if reproduction is without alteration and is accompanied by all associated warranties, conditions, limitations, and notices. TI is not responsible or liable for such altered documentation. Information of third parties may be subject to additional restrictions.

Resale of TI components or services with statements different from or beyond the parameters stated by TI for that component or service voids all express and any implied warranties for the associated TI component or service and is an unfair and deceptive business practice. TI is not responsible or liable for any such statements.

Buyer acknowledges and agrees that it is solely responsible for compliance with all legal, regulatory and safety-related requirements concerning its products, and any use of TI components in its applications, notwithstanding any applications-related information or support that may be provided by TI. Buyer represents and agrees that it has all the necessary expertise to create and implement safeguards which anticipate dangerous consequences of failures, monitor failures and their consequences, lessen the likelihood of failures that might cause harm and take appropriate remedial actions. Buyer will fully indemnify TI and its representatives against any damages arising out of the use of any TI components in safety-critical applications.

In some cases, TI components may be promoted specifically to facilitate safety-related applications. With such components, TI's goal is to help enable customers to design and create their own end-product solutions that meet applicable functional safety standards and requirements. Nonetheless, such components are subject to these terms.

No TI components are authorized for use in FDA Class III (or similar life-critical medical equipment) unless authorized officers of the parties have executed a special agreement specifically governing such use.

Only those TI components which TI has specifically designated as military grade or "enhanced plastic" are designed and intended for use in military/aerospace applications or environments. Buyer acknowledges and agrees that any military or aerospace use of TI components which have **not** been so designated is solely at the Buyer's risk, and that Buyer is solely responsible for compliance with all legal and regulatory requirements in connection with such use.

TI has specifically designated certain components as meeting ISO/TS16949 requirements, mainly for automotive use. In any case of use of non-designated products, TI will not be responsible for any failure to meet ISO/TS16949.

### Products

Audio	<a href="http://www.ti.com/audio">www.ti.com/audio</a>
Amplifiers	<a href="http://amplifier.ti.com">amplifier.ti.com</a>
Data Converters	<a href="http://dataconverter.ti.com">dataconverter.ti.com</a>
DLP® Products	<a href="http://www.dlp.com">www.dlp.com</a>
DSP	<a href="http://dsp.ti.com">dsp.ti.com</a>
Clocks and Timers	<a href="http://www.ti.com/clocks">www.ti.com/clocks</a>
Interface	<a href="http://interface.ti.com">interface.ti.com</a>
Logic	<a href="http://logic.ti.com">logic.ti.com</a>
Power Mgmt	<a href="http://power.ti.com">power.ti.com</a>
Microcontrollers	<a href="http://microcontroller.ti.com">microcontroller.ti.com</a>
RFID	<a href="http://www.ti-rfid.com">www.ti-rfid.com</a>
OMAP Applications Processors	<a href="http://www.ti.com/omap">www.ti.com/omap</a>
Wireless Connectivity	<a href="http://www.ti.com/wirelessconnectivity">www.ti.com/wirelessconnectivity</a>

### Applications

Automotive and Transportation	<a href="http://www.ti.com/automotive">www.ti.com/automotive</a>
Communications and Telecom	<a href="http://www.ti.com/communications">www.ti.com/communications</a>
Computers and Peripherals	<a href="http://www.ti.com/computers">www.ti.com/computers</a>
Consumer Electronics	<a href="http://www.ti.com/consumer-apps">www.ti.com/consumer-apps</a>
Energy and Lighting	<a href="http://www.ti.com/energy">www.ti.com/energy</a>
Industrial	<a href="http://www.ti.com/industrial">www.ti.com/industrial</a>
Medical	<a href="http://www.ti.com/medical">www.ti.com/medical</a>
Security	<a href="http://www.ti.com/security">www.ti.com/security</a>
Space, Avionics and Defense	<a href="http://www.ti.com/space-avionics-defense">www.ti.com/space-avionics-defense</a>
Video and Imaging	<a href="http://www.ti.com/video">www.ti.com/video</a>

### TI E2E Community

[e2e.ti.com](http://e2e.ti.com)

Компания «Океан Электроники» предлагает заключение долгосрочных отношений при поставках импортных электронных компонентов на взаимовыгодных условиях!

Наши преимущества:

- Поставка оригинальных импортных электронных компонентов напрямую с производств Америки, Европы и Азии, а так же с крупнейших складов мира;
- Широкая линейка поставок активных и пассивных импортных электронных компонентов (более 30 млн. наименований);
- Поставка сложных, дефицитных, либо снятых с производства позиций;
- Оперативные сроки поставки под заказ (от 5 рабочих дней);
- Экспресс доставка в любую точку России;
- Помощь Конструкторского Отдела и консультации квалифицированных инженеров;
- Техническая поддержка проекта, помощь в подборе аналогов, поставка прототипов;
- Поставка электронных компонентов под контролем ВП;
- Система менеджмента качества сертифицирована по Международному стандарту ISO 9001;
- При необходимости вся продукция военного и аэрокосмического назначения проходит испытания и сертификацию в лаборатории (по согласованию с заказчиком);
- Поставка специализированных компонентов военного и аэрокосмического уровня качества (Xilinx, Altera, Analog Devices, Intersil, Interpoint, Microsemi, Actel, Aeroflex, Peregrine, VPT, Syfer, Eurofarad, Texas Instruments, MS Kennedy, Miteq, Cobham, E2V, MA-COM, Hittite, Mini-Circuits, General Dynamics и др.);

Компания «Океан Электроники» является официальным дистрибьютором и эксклюзивным представителем в России одного из крупнейших производителей разъемов военного и аэрокосмического назначения «JONHON», а так же официальным дистрибьютором и эксклюзивным представителем в России производителя высокотехнологичных и надежных решений для передачи СВЧ сигналов «FORSTAR».



## JONHON

«JONHON» (основан в 1970 г.)

Разъемы специального, военного и аэрокосмического назначения:

(Применяются в военной, авиационной, аэрокосмической, морской, железнодорожной, горно- и нефтедобывающей отраслях промышленности)

«FORSTAR» (основан в 1998 г.)

ВЧ соединители, коаксиальные кабели, кабельные сборки и микроволновые компоненты:

(Применяются в телекоммуникациях гражданского и специального назначения, в средствах связи, РЛС, а так же военной, авиационной и аэрокосмической отраслях промышленности).



Телефон: 8 (812) 309-75-97 (многоканальный)

Факс: 8 (812) 320-03-32

Электронная почта: [ocean@oceanchips.ru](mailto:ocean@oceanchips.ru)

Web: <http://oceanchips.ru/>

Адрес: 198099, г. Санкт-Петербург, ул. Калинина, д. 2, корп. 4, лит. А