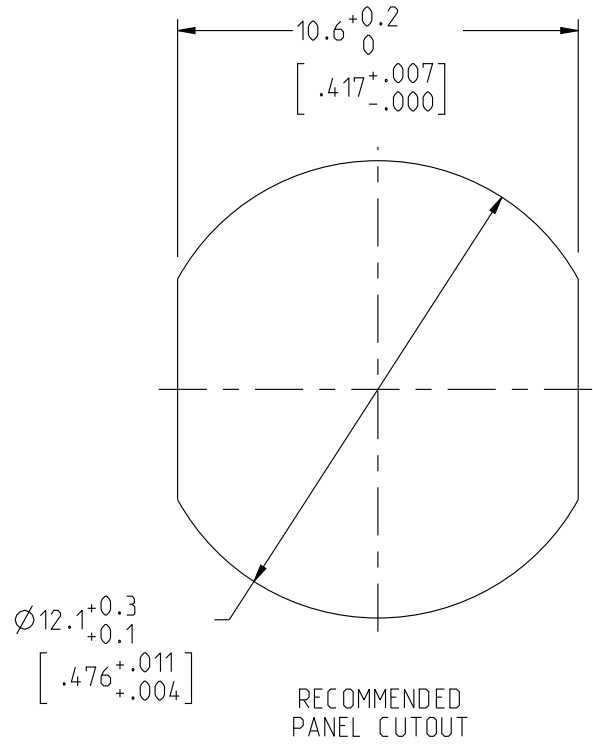


**JBXE1C**

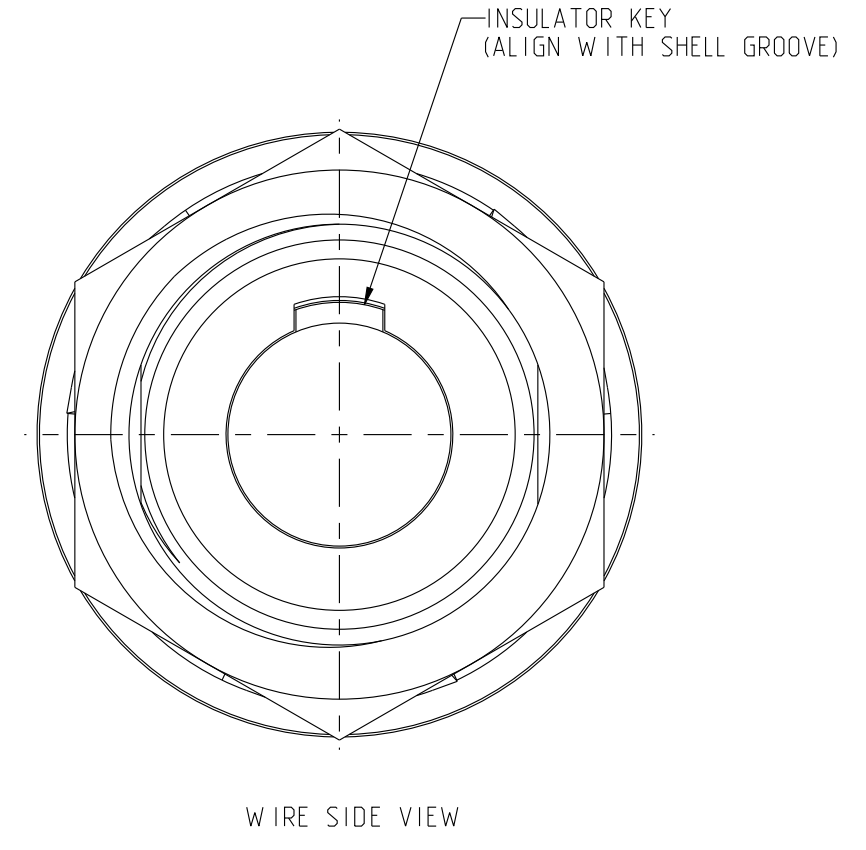
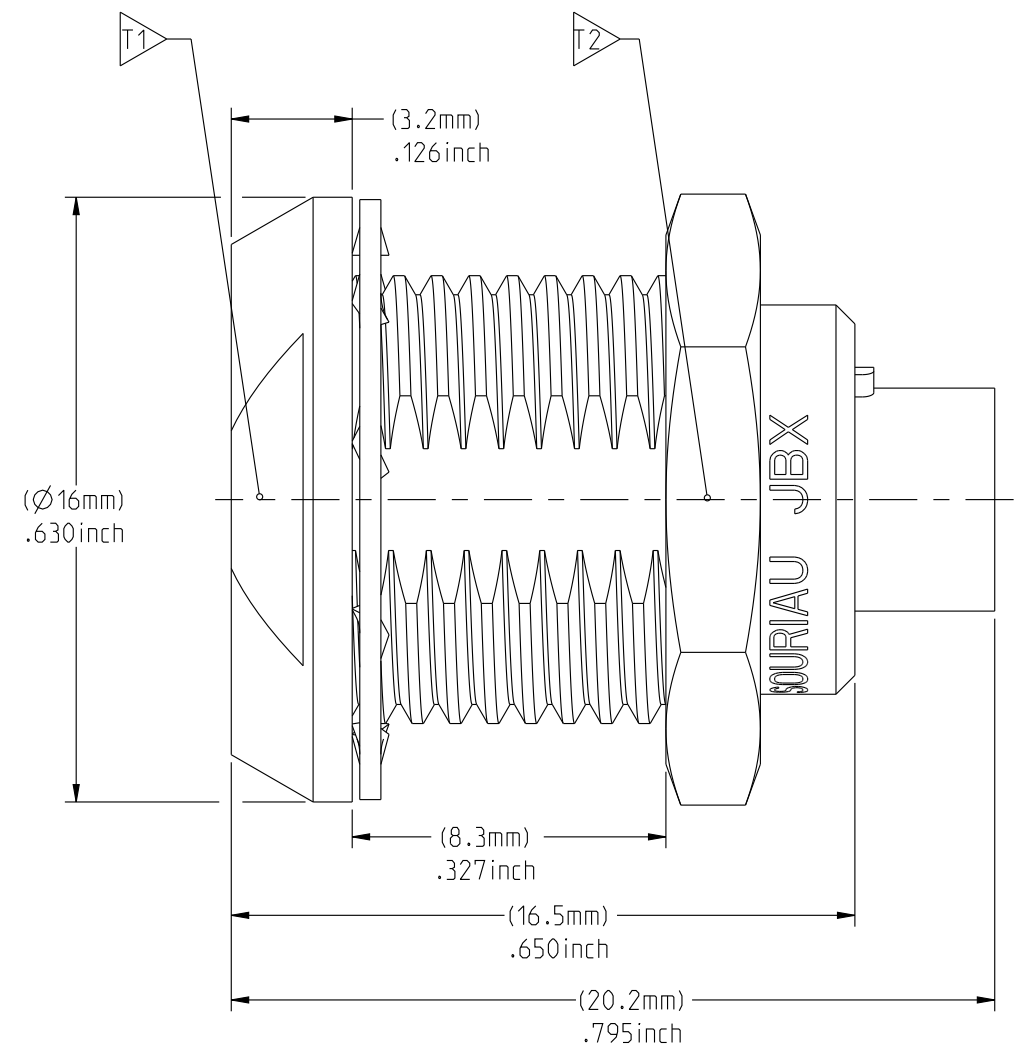
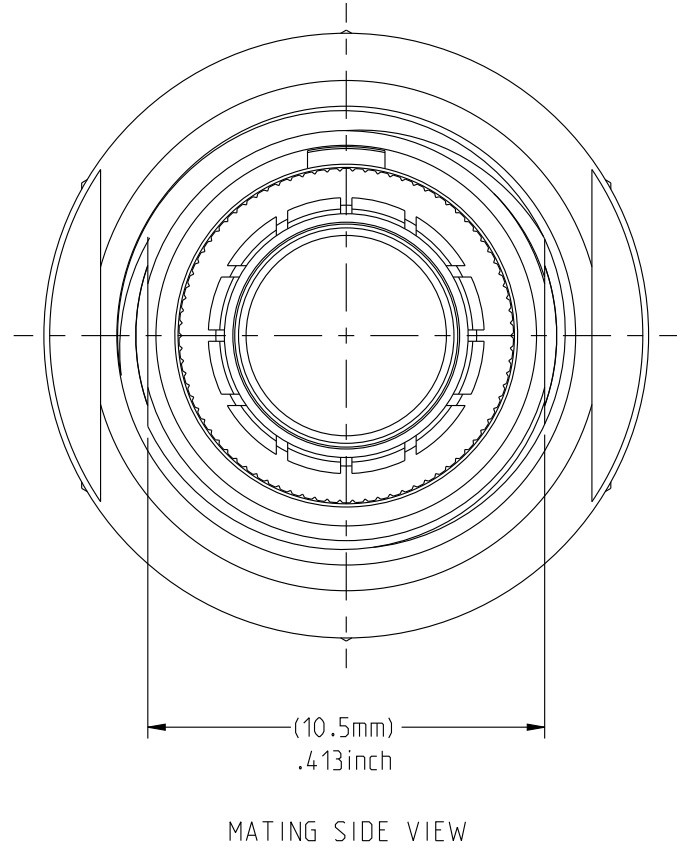
MASS (g)	VOLUME (mm <sup>3</sup> )
8.9	1531

**ELECTRICAL :**  
 EMI SHIELDING : SHIELDED FOR THE RANGE 55dB UP TO 100MHz  
 INSULATION RESISTANCE : >500MΩ PER ANSI-EIA-364-D METHOD 21  
 MAX. CURRENT RATING : SEE INSULATOR DRAWING  
 CONNECTOR TESTING : VOLTAGE SEE INSULATOR DRAWING  
 CONNECTOR WORKING : VOLTAGE SEE INSULATOR DRAWING

**ENVIRONMENTAL :**  
 ENDURANCE: 1000 CYCLES AS PER MIL-STD 1344A, METHOD 2016.1  
 SHOCK: 50 g , DURATION 6 ms; AS PER MIL-STD 1344A, METHOD 2004.1  
 VIBRATIONS: 10 TO 2000Hz g = 20g, AS PER MIL-STD 1344A, METHOD 2005.1  
 PROTECTION INDEX: IP 40 AS PER IEC 529  
 ROHS COMPLIANT  
 SALT MIST : 48hr PER SAE AS 1344 METHOD 1001.1 CEI 529  
 OPERATING TEMPERATURE: -55°C TO +125°C (-67°F TO +257°F)



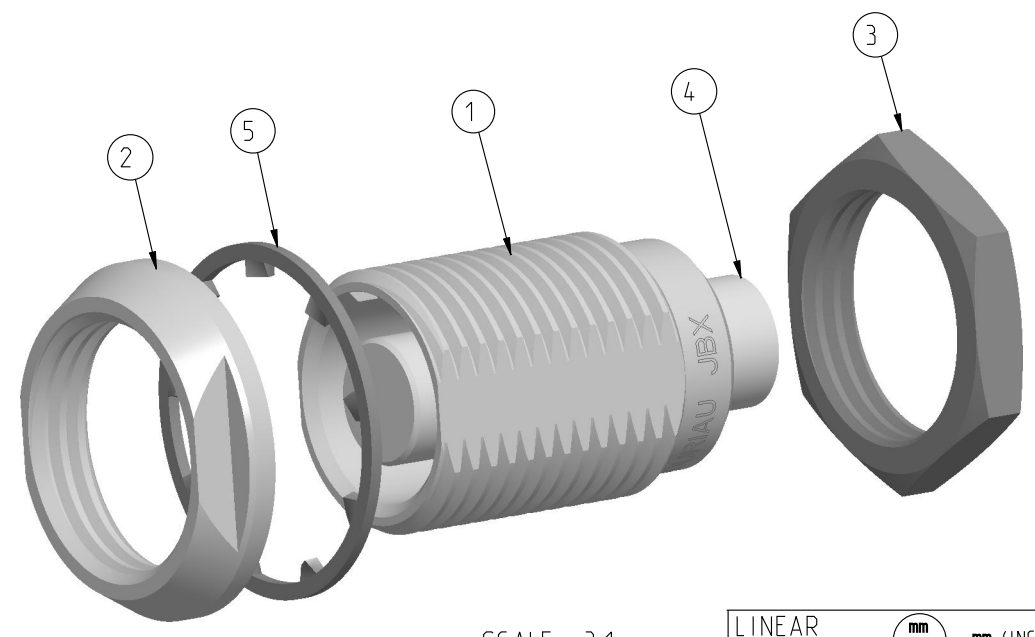
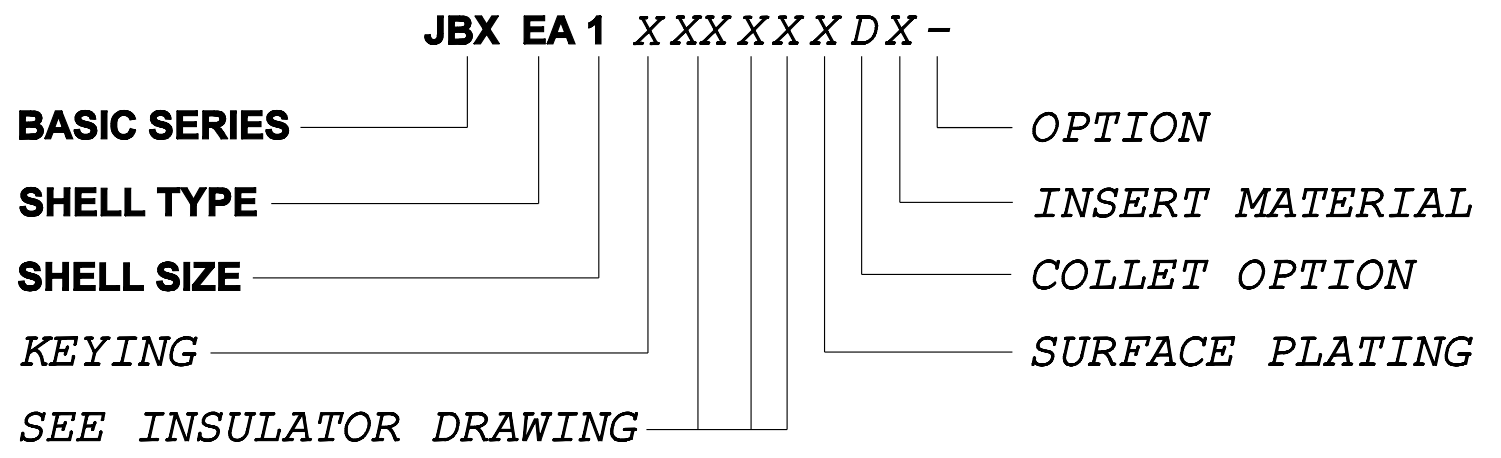
**NOTES:**  
**MATERIAL:**  
 OUTER SHELL & PANEL NUT : BRASS  
 SHIELD RING & NUT :  
**FINISH:**  
 OUTER SHELL & PANEL NUT : CHROME  
 OTHER BRASS PARTS : NICKEL  
**TOOLS**



PART LIST	
ITEM NO.	DESCRIPTION
1	SHELL
2	PANEL NUT
3	HEX NUT
4	INSULATOR
5	LOCK WASHER

	TOOLS (JAW DIMENSION)	ADVISED TORQUE IN Nm
T1	13	1.3
T2	14	1.3

**CATALOG NUMBER DESCRIPTION**



SCALE 3:1

ORIGIN	COUNTRY	JURISDICTION	CLASSIFICATION
X	FR	Not listed	N/A
	US	EAR	ECCN =EAR99

LINEAR MEASURE: mm (INCH)

THIRD ANGLE PROJECTION

TOLERANCES UNLESS OTHERWISE SPECIFIED

No. OF PLACES	mm [INCH]
WHOLE No.	±0.5 [±.02]
ONE PLACE	±0.2 [±.008]
TWO PLACES	±0.1 [±.004]

ANGLES ±1°

**DRAWING TITLE**  
**JBX, SIZE 1, DOUBLE NUT RECEPTACLE**

CAT NO. **JBXE1C**

CAGE NO: 09922 SIZE: C

**CUSTOMER**

INTERPRET THIS DRAWING IN ACCORDANCE WITH ASME Y14.5M - 1994.

**SOURIAU**  
 WWW.SOURIAU.COM

APPROVAL  
 DRAWN: TJS 01-07-15  
 CHKD : EV 01-07-15  
 DSGN : EV 01-07-15  
 MFG : DH 01-07-15  
 QC : BB 01-07-15  
 DRAWING SCALE: 5:1  
 DRAWING NO. REV  
**JBXE1C** A

1 OF 1

THIS DRAWING IS A CONTROLLED DOCUMENT FOR SOURIAU USA, INC. IT IS SUBJECT TO CHANGE WITHOUT NOTIFICATION. CONTACT THE DOCUMENT CONTROL CENTER FOR THE LATEST REVISION.

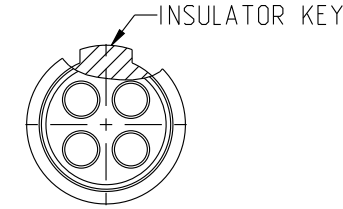
THE INFORMATION CONTAINED IN THIS DRAWING IS CONFIDENTIAL AND MAY NOT BE DISCLOSED WITHOUT WRITTEN CONSENT FROM SOURIAU USA, INC.

DWG. NO.  
JBX1INSFPC

**FEMALE INSULATOR, STRAIGHT PCB CONTACT**

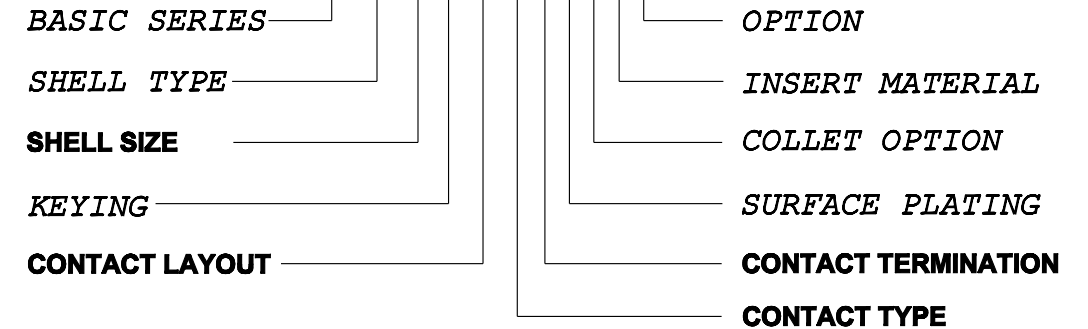
CONTACT LAYOUT	02	03	04	05
FRONT SIDE VIEW				
REAR SIDE VIEW				
CONTACT				
ISO VIEW				
CONTACT	ØC	1.3	1.3	0.9
	ØF	0.7	0.7	0.7
	MAX. AWG	-	-	-
	MAX. CURRENT RATING (A)	15	15	10
INSULATOR	CONTACT RESISTANCE (mΩ)	3	3	3.5
	NUMBER OF CAVITY	2	3	4
	MAX. CURRENT RATING	15	12	10
	TEST VOLTAGE (Vrms)	1600	1300	1900
WORKING VOLTAGE (Vdc/Vrms)	760/530	600/420	900/630	660/460

**CONTACT TYPE :** F (FEMALE)  
**CONTACT TERMINATION :** P (PCB)  
**MATERIAL :**  
 CONTACT: CUPRO NICKEL  
 INSULATOR: PEEK  
**FINISH :**  
 CONTACTS: GOLD



**CATALOG NUMBER DESCRIPTION**

**JBXXX 1 X YY F P XXXX**



B	REVISED PER ECN 12286	RSK 06-10-15	EV 06-10-15
A	RELEASED PER ECN 12264	SKV 03-10-15	EV 03-10-15
REV	DESCRIPTION	BY DATE	CHKD DATE

DRAWING TITLE  
**JBX, SIZE 1, FEMALE INSULATOR, PCB CONTACT**

CAT NO. **JBX1INSFP**

CAGE NO: 09922      SIZE: B

<b>CUSTOMER</b>	<b>SOURIAU</b>	APPROVAL	DRAWN: SKV	02-02-15
			CHKD : EV	02-02-15
INTERPRET THIS DRAWING IN ACCORDANCE WITH ASME Y14.5M - 1994.	<b>WWW.SOURIAU.COM</b>		DSGN : EV	02-02-15
			MFG : DH	02-02-15
			QC : BB	02-02-15
			DRAWING SCALE: NA	
			DRAWING NO.	REV
			JBX1INSFPC	B
			1 OF 3	

THIS DRAWING IS A CONTROLLED DOCUMENT FOR SOURIAU USA, INC. IT IS SUBJECT TO CHANGE WITHOUT NOTIFICATION. CONTACT THE DOCUMENT CONTROL CENTER FOR THE LATEST REVISION.

THE INFORMATION CONTAINED IN THIS DRAWING IS CONFIDENTIAL AND MAY NOT BE DISCLOSED WITHOUT WRITTEN CONSENT FROM SOURIAU USA, INC.

ORIGIN	COUNTRY	JURISDICTION	CLASSIFICATION
X	FR	Not listed	N/A
	US	EAR	ECCN =EAR99

These commodities, technology or software are exported from the United States in accordance with the Export Administration Regulations. Diversion contrary to U.S. law is prohibited

LINEAR MEASURE:  $\frac{mm}{INCH}$  mm (INCH)  
 THIRD ANGLE PROJECTION  
  
 TOLERANCES UNLESS OTHERWISE SPECIFIED  
 No. OF PLACES      mm [INCH]  
 ONE PLACE          ±3 [±.1]  
 TWO PLACES        ±0.5 [±.02]  
 THREE PLACES     ±0.25 [±.010]  
 ANGLES ±1°

B

A

DWG. NO.  
JBX1INSFPC

THIS DRAWING IS A CONTROLLED DOCUMENT FOR SOURIAU USA, INC. IT IS SUBJECT TO CHANGE WITHOUT NOTIFICATION. CONTACT THE DOCUMENT CONTROL CENTER FOR THE LATEST REVISION.

THE INFORMATION CONTAINED IN THIS DRAWING IS CONFIDENTIAL AND MAY NOT BE DISCLOSED WITHOUT WRITTEN CONSENT FROM SOURIAU USA, INC.

CONTACT LAYOUT	06	07	08	10	12	
FRONT SIDE VIEW						
REAR SIDE VIEW						
CONTACT						
ISO VIEW						
CONTACT	ØC	0.7	0.7	0.5	0.5	
	ØF	0.5	0.5	0.5	0.5	
	MAX. AWG	-	-	-	-	
	MAX. CURRENT RATING (A)	7	7	7	5	5
INSULATOR	CONTACT RESISTANCE (mΩ)	5	5	5	10	10
	NUMBER OF CAVITY	6	7	8	10	12
	MAX. CURRENT RATING	7	7	5	2.5	2.5
	TEST VOLTAGE (Vrms)	1400	1400	1200	600	500
WORKING VOLTAGE (Vdc/Vrms)	660/460	660/460	600/420	300/200	170/120	

B

A

DRAWING TITLE  
**JBX, SIZE 1, FEMALE INSULATOR, PCB CONTACT**

CAT NO. **JBX1INSFP**

CAGE NO: 09922      SIZE: B

<b>CUSTOMER</b>	<b>SOURIAU</b>	APPROVAL	DRAWN: SKV 02-02-15
		CHKD : EV 02-02-15	
INTERPRET THIS DRAWING IN ACCORDANCE WITH ASME Y14.5M - 1994.	<b>WWW.SOURIAU.COM</b>	DSGN : EV 02-02-15	DRAWING SCALE: NA
		MFG : DH 02-02-15	DRAWING NO. REV
		QC : BB 02-02-15	JBX1INSFPC B
			2 OF 3

ORIGIN	COUNTRY	JURISDICTION	CLASSIFICATION
X	FR	Not listed	N/A
	US	EAR	ECCN =EAR99

These commodities, technology or software are exported from the United States in accordance with the Export Administration Regulations. Diversion contrary to U.S. law is prohibited.

LINEAR MEASURE:

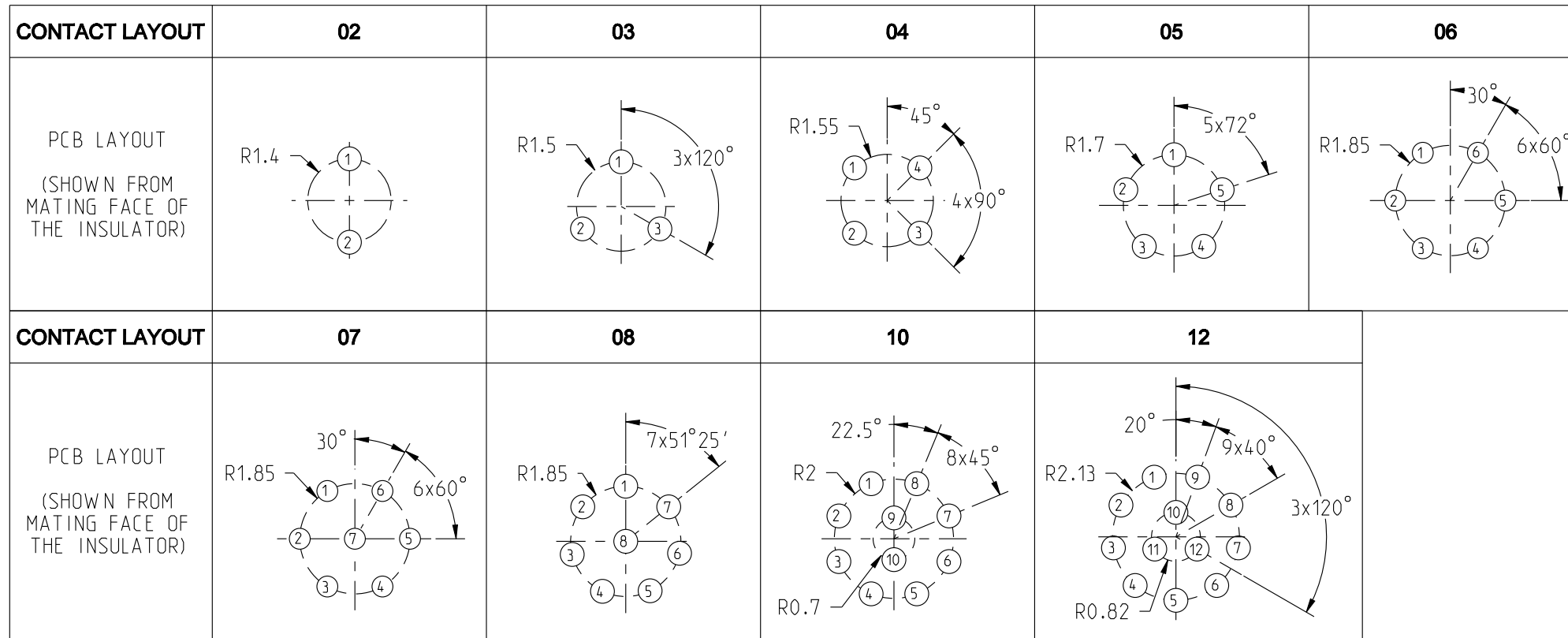
THIRD ANGLE PROJECTION

TOLERANCES UNLESS OTHERWISE SPECIFIED

No. OF PLACES	mm [INCH]
ONE PLACE	±3 [±.1]
TWO PLACES	±0.5 [±.02]
THREE PLACES	±0.25 [±.010]

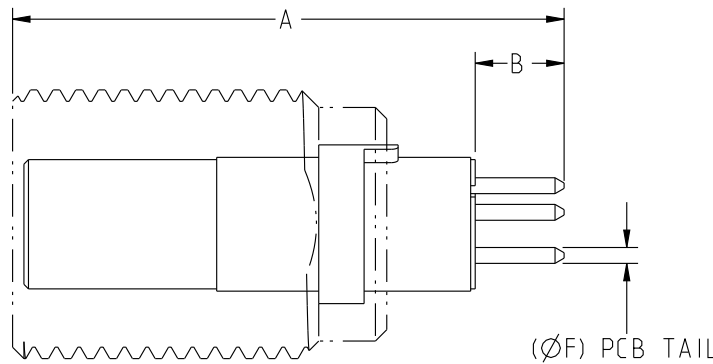
ANGLES ±1°

DWG. NO.  
JBX11NSFPC



1. ALL DIMENSIONS ARE ±0.05  
2. SEE TABLE FOR RECOMMENDED FINISHED PCB HOLE SIZE.

CONTACT PCB TAIL SIZE DIA	FINISHED PCB HOLE SIZE DIA
0.5	0.75
0.7	0.95



SAMPLE ASSEMBLY FOR INFORMATION

LAYOUT	02	03	04	05	06	07	08	10	12
A				24.3				24.0	
B				3.9				5.1	

ORIGIN	COUNTRY	JURISDICTION	CLASSIFICATION
X	FR	Not listed	N/A
	US	EAR	ECCN =EAR99

These commodities, technology or software are exported from the United States in accordance with the Export Administration Regulations. Diversion contrary to U.S. law is prohibited

LINEAR MEASURE:  $\frac{mm}{INCH}$  mm (INCH)

THIRD ANGLE PROJECTION

TOLERANCES UNLESS OTHERWISE SPECIFIED

No. OF PLACES	mm [INCH]
ONE PLACE	±3 [±.1]
TWO PLACES	±0.5 [±.02]
THREE PLACES	±0.25 [±.010]

ANGLES ±1°

DRAWING TITLE		DRAWN: SKV 02-02-15	
<b>JBX, SIZE 1, FEMALE INSULATOR, PCB CONTACT</b>		CHKD : EV 02-02-15	
CAT NO.		DSGN : EV 02-02-15	
<b>JBX11NSFP</b>		MFG : DH 02-02-15	
CAGE NO: 09922	SIZE: B	QC : BB 02-02-15	
<b>CUSTOMER</b>		DRAWING SCALE: NA	
		DRAWING NO. REV	
INTERPRET THIS DRAWING IN ACCORDANCE WITH ASME Y14.5M - 1994.		DRAWING NO. REV	
		JBX11NSFPC B	
WWW.SOURIAU.COM		3 OF 3	

THIS DRAWING IS A CONTROLLED DOCUMENT FOR SOURIAU USA, INC. IT IS SUBJECT TO CHANGE WITHOUT NOTIFICATION. CONTACT THE DOCUMENT CONTROL CENTER FOR THE LATEST REVISION.

THE INFORMATION CONTAINED IN THIS DRAWING IS CONFIDENTIAL AND MAY NOT BE DISCLOSED WITHOUT WRITTEN CONSENT FROM SOURIAU USA, INC.

B

A

# Mouser Electronics

Authorized Distributor

Click to View Pricing, Inventory, Delivery & Lifecycle Information:

Souriau:

[JBXEA1G02FPSDS](#) [JBXEA1G08FPSDS](#) [JBXEA1G04FPSDS](#) [JBXEA1G05FPSDS](#) [JBXEA1G06FPSDS](#)  
[JBXEA1G07FPSDS](#)

Компания «Океан Электроники» предлагает заключение долгосрочных отношений при поставках импортных электронных компонентов на взаимовыгодных условиях!

Наши преимущества:

- Поставка оригинальных импортных электронных компонентов напрямую с производств Америки, Европы и Азии, а так же с крупнейших складов мира;
- Широкая линейка поставок активных и пассивных импортных электронных компонентов (более 30 млн. наименований);
- Поставка сложных, дефицитных, либо снятых с производства позиций;
- Оперативные сроки поставки под заказ (от 5 рабочих дней);
- Экспресс доставка в любую точку России;
- Помощь Конструкторского Отдела и консультации квалифицированных инженеров;
- Техническая поддержка проекта, помощь в подборе аналогов, поставка прототипов;
- Поставка электронных компонентов под контролем ВП;
- Система менеджмента качества сертифицирована по Международному стандарту ISO 9001;
- При необходимости вся продукция военного и аэрокосмического назначения проходит испытания и сертификацию в лаборатории (по согласованию с заказчиком);
- Поставка специализированных компонентов военного и аэрокосмического уровня качества (Xilinx, Altera, Analog Devices, Intersil, Interpoint, Microsemi, Actel, Aeroflex, Peregrine, VPT, Syfer, Eurofarad, Texas Instruments, MS Kennedy, Miteq, Cobham, E2V, MA-COM, Hittite, Mini-Circuits, General Dynamics и др.);

Компания «Океан Электроники» является официальным дистрибьютором и эксклюзивным представителем в России одного из крупнейших производителей разъемов военного и аэрокосмического назначения «JONHON», а так же официальным дистрибьютором и эксклюзивным представителем в России производителя высокотехнологичных и надежных решений для передачи СВЧ сигналов «FORSTAR».



## JONHON

«JONHON» (основан в 1970 г.)

Разъемы специального, военного и аэрокосмического назначения:

(Применяются в военной, авиационной, аэрокосмической, морской, железнодорожной, горно- и нефтедобывающей отраслях промышленности)

«FORSTAR» (основан в 1998 г.)

ВЧ соединители, коаксиальные кабели, кабельные сборки и микроволновые компоненты:

(Применяются в телекоммуникациях гражданского и специального назначения, в средствах связи, РЛС, а так же военной, авиационной и аэрокосмической отраслях промышленности).



Телефон: 8 (812) 309-75-97 (многоканальный)

Факс: 8 (812) 320-03-32

Электронная почта: [ocean@oceanchips.ru](mailto:ocean@oceanchips.ru)

Web: <http://oceanchips.ru/>

Адрес: 198099, г. Санкт-Петербург, ул. Калинина, д. 2, корп. 4, лит. А