

**K-no.:** 24511

**25 A Current Sensor for 5V- Supply Voltage**
**Date:** 28.01.2013

 For electronic current measurement:  
 DC, AC, pulsed, mixed ..., with a galvanic  
 isolation between primary circuit  
 (high power) and secondary circuit  
 (electronic circuit)

**Customer:** Standard type

**Customers Part no.:**

Page 1 of 2

**Description**

- Closed loop (compensation)  
Current Sensor with magnetic field probe
- Printed circuit board mounting
- Casing and materials UL-listed

**Characteristics**

- Excellent accuracy
- Very low offset current
- Very low temperature dependency and offset current drift
- Very low hysteresis of offset current
- Short response time
- Wide frequency bandwidth
- Compact design
- Reduced offset ripple

**Applications**

Mainly used for stationary operation in industrial applications:

- AC variable speed drives and servo motor drives
- Static converters for DC motor drives
- Battery supplied applications
- Switched Mode Power Supplies (SMPS)
- Power Supplies for welding applications
- Uninterruptible Power Supplies (UPS)

**Electrical data – Ratings**

$I_{PN}$	Primary nominal r.m.s. current	25	A
$V_{out}$	Output voltage @ $I_P$	$V_{Ref} \pm (0.625 \cdot I_P / I_{PN})$	V
$V_{out}$	Output voltage @ $I_P=0, T_A=25^\circ C$	$V_{Ref} \pm 0.005$	V
$V_{Ref}$	External Reference voltage range	0...4	V
	Internal Reference voltage	$2.5 \pm 0.005$	V
$K_N$	Turns ratio	1...3 : 2000	

**Accuracy – Dynamic performance data**

		min.	typ.	max.	Unit
$I_{P,max}$	Max. measuring range	±85			
X	Accuracy @ $I_{PN}, T_A=25^\circ C$			0.7	%
$\epsilon_L$	Linearity			0.1	%
$V_{out} - V_{Ref}$	Offset voltage @ $I_P=0, T_A=25^\circ C$			±1.35	mV
$\Delta V_o / V_{Ref} / \Delta T$	Temperature drift of $V_{out}$ @ $I_P=0, V_{Ref}=2.5V, T_A=-40...85^\circ C$	1.4		10	ppm/°C
$t_r$	Response time @ 90% von $I_{PN}$		300		ns
$\Delta t (I_{P,max})$	Delay time at $di/dt = 100 A/\mu s$		200		ns
f	Frequency bandwidth	DC...200			kHz

**General data**

		min.	typ.	max.	Unit
$T_A$	Ambient operating temperature	-40		+85	°C
$T_S$	Ambient storage temperature	-40		+85	°C
m	Mass		12		g
$V_C$	Supply voltage	4.75	5	5.25	V
$I_C$	Current consumption		15		mA

 Constructed and manufactured and tested in accordance with EN 61800-5-1 (Pin 1 - 6 to Pin 7 - 10)  
 Reinforced insulation, Insulation material group 1, Pollution degree 2

$S_{clear}$	Clearance (component without solder pad)	7.4			mm
$S_{creep}$	Creepage (component without solder pad)	8.0			mm
$V_{sys}$	System voltage	overvoltage category 3	RMS	300	V
$V_{work}$	Working voltage	(tabel 7 acc. to EN61800-5-1)	overvoltage category 2	RMS	650
				peak value	1320
$U_{PD}$	Rated discharge voltage				V

 Note: "According UL 508: Max. potential difference = 600  $V_{AC}$ "

Date	Name	Issue	Amendment
28.01.13	Le	83	Note added, clearance and creepage from 7 to 7.4 and 7 to 8.0. Temperature drift from typ. 3 of typ. 1.4
			Offset voltage from ±5 to ± 1.35 changed. Mechanical outline / marking with UL-sign. + issue(increased). CN-572

Hrsg.: KB-E editor	Bearb: Le. designer	KB-PM: KRe. check	freig.: HS released
-----------------------	------------------------	----------------------	------------------------

K-no.: 24511

**25 A Current Sensor for 5V- Supply Voltage**

For electronic current measurement:  
DC, AC, pulsed, mixed ..., with a galvanic  
isolation between primary circuit  
(high power) and secondary circuit  
(electronic circuit)

Date: 28.01.2013

Customer: Standard type

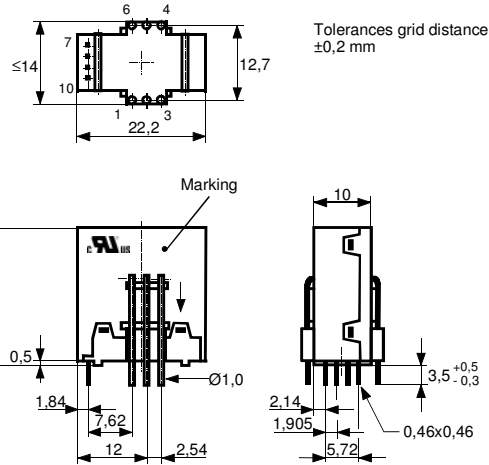
Customers Part no.:

Page 2 of 2

**Mechanical outline (mm):**

General tolerances DIN ISO 2768-c

Connections:



Tolerances grid distance  
±0,2 mm

1...6: Ø 1 mm  
7...10: 0,46\*0,46 mm

Marking:

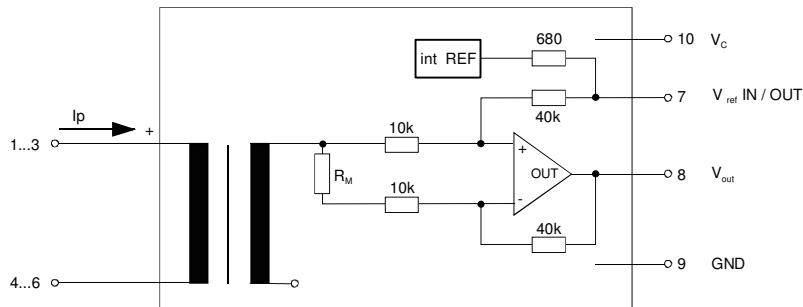
**VAC** UL-sign  
4646X661-83  
DC  
F

**Explanation:**

DC = Date Code [Format YWW]

DC = Date Code  
F = Factory

**Schematic diagram**



**Possibilities of wiring**

(@ T<sub>A</sub> = 85°C)

primary windings	primary current RMS	primary current maximal	output voltage RMS	turns ratio	primary resistance	wiring
N <sub>P</sub>	I <sub>P</sub> [A]	I <sub>P,max</sub> [A]	V <sub>out</sub> (I <sub>P</sub> ) [V]	K <sub>N</sub>	R <sub>P</sub> [mΩ]	
1	25	±85	2.5±0.625	1:2000	0.33	
2	12	±42	2.5±0.600	2:2000	1.5	
3	8	±28	2.5±0.600	3:2000	3	

Temperature of the primary conductor should not exceed 110°C.

Additional information is obtainable on request.

This specification is no declaration of warranty acc. BGB §443 dar.

Hrsg.: KB-E  
editor

Bearb: Le.  
designer

KB-PM: KRe.  
check

freig.: HS  
released

K-No.: 24511

**25 A Current Sensor for 5V- Supply Voltage**

 For the electronic measurement of currents:  
 DC, AC, pulsed, mixed ..., with a galvanic  
 Isolation between the primary circuit  
 (high power) and the secondary circuit

Date: 28.01.2013

Customer:

Customers Part No.:

Page 1 of 2

**Electrical Data**

		min.	typ.	max.	Unit
$V_{Ctot}$	Maximum supply voltage (without function)			6	V
$I_C$	Supply Current with primary current	$15mA + I_p \cdot K_N + V_{out}/R_L$			mA
$I_{out,SC}$	Short circuit output current	$\pm 20$			mA
$R_P$	Resistance / primary winding @ $T_A=25^\circ C$	1			m $\Omega$
$R_S$	Secondary coil resistance @ $T_A=85^\circ C$	67			$\Omega$
$R_{i,Ref}$	Internal resistance of Reference input	670			$\Omega$
$R_{i,(V_{out})}$	Output resistance of $V_{out}$	1			$\Omega$
$R_L$	External recommended resistance of $V_{out}$	1			k $\Omega$
$C_L$	External recommended capacitance of $V_{out}$	500			pF
$\Delta X_{Ti} / \Delta T$	Temperature drift of X @ $T_A = -40 \dots +85^\circ C$	40			ppm/K
$\Delta V_0 = \Delta(V_{out} - V_{Ref})$	Sum of any offset drift including:	2			mV
$V_{0t}$	Longtermdrift of $V_0$	1			mV
$V_{0T}$	Temperature drift von $V_0$ @ $T_A = -40 \dots +85^\circ C$	1			mV
$V_{0H}$	Hysteresis of $V_{out}$ @ $I_P=0$ (after an overload of $10 \times I_{PN}$ )	2			mV
$\Delta V_0 / \Delta V_C$	Supply voltage rejection ratio	1			mV/V
$V_{OSS}$	Offsetripple (with 1 MHz- filter first order)	30			mV
$V_{OSS}$	Offsetripple (with 100 kHz- filter first order)	3			mV
$V_{OSS}$	Offsetripple (with 20 kHz- filter first order)	0.8			mV
$C_k$	Maximum possible coupling capacity (primary – secondary)	5			pF
	Mechanical stress according to M3209/3	30g			
	Settings: 10 – 2000 Hz, 1 min/Decade, 2 hours				

**Inspection** (Measurement after temperature balance of the samples at room temperature)

$V_{out} (I_P=I_{PN})$	(V) M3011/6:	Output voltage vs. external reference ( $I_P=25A, 40-80Hz$ )	$625 \pm 0,7\%$	mV
$V_{out} - V_{Ref} (I_P=0)$	(V) M3226:	Offset voltage	$\pm 0.005$	V
$V_d$	(V) M3014:	Test voltage, rms, 1 s pin 1 – 6 vs. pin 7 – 10	1.5	kV
$V_e$	(AQL 1/S4)	Partial discharge voltage acc.M3024 (RMS) with $V_{vor}$ (RMS)	1400	V
			1750	V

**Type Testing** (Pin 1 - 6 to Pin 7 - 10)

$V_W$	HV transient test according to M3064 (1,2 $\mu s$ / 50 $\mu s$ -wave form)	8	kV
$V_d$	Testing voltage to M3014	(5 s)	3
$V_e$	Partial discharge voltage acc.M3024 (RMS) with $V_{vor}$ (RMS)	1400	V
		1750	V

**Applicable documents**

 Current direction: A positive output current appears at point  $I_S$ , by primary current in direction of the arrow.  
 Housing and bobbin material UL-listed: Flammability class 94V-0.

Enclosures according to IEC529: IP50.

Further standards UL 508 file E317483, category NMTR2 / NMTR8

Datum	Name	Index	Amendment
28.01.13	Le	83	Applicable documents added. CN-572
08.12.10	Le	82	Date changed.

Hrsg.: KB-E editor	Bearb: Le designer	KB-PM: KRe. check	freig.: HS released
-----------------------	-----------------------	----------------------	------------------------

Weitergabe sowie Vervielfältigung dieser Unterlage, Verwertung und Mitteilung ihres Inhalts nicht gestattet, soweit nicht ausdrücklich zugestanden. Zuwiderhandlungen verpflichten zu Schadenersatz. Alle Rechte für den Fall der Patenterteilung oder GM-Eintragung vorbehalten

 Copying of this document, disclosing it to third parties or using the contents there for any purposes without express written authorization by use illegally forbidden.  
 Any offenders are liable to pay all relevant damages.

K-No.: 24511

**25 A Current Sensor for 5V- Supply Voltage**

For the electronic measurement of currents:  
DC, AC, pulsed, mixed ..., with a galvanic  
Isolation between the primary circuit  
(high power) and the secondary circuit

Date: 28.01.2013

Customer:

Customers Part No.:

Page 2 of 2

**Explanation of several of the terms used in the tablets (in alphabetical order)**

$t_r$ : Response time (describe the dynamic performance for the specified measurement range), measured as delay time at  $I_P = 0,9 \cdot I_{PN}$  between a rectangular current and the output voltage  $V_{out}(I_P)$

$\Delta t(I_{Pmax})$ : Delay time (describe the dynamic performance for the rapid current pulse rate e.g short circuit current) measured between  $I_{Pmax}$  and the output voltage  $V_{out}(I_{Pmax})$  with a primary current rise of  $di_P/dt \geq 100 \text{ A}/\mu\text{s}$ .

$U_{PD}$  Rated discharge voltage (recurring peak voltage separated by the insulation) proved with a sinusoidal voltage  $V_e$   
 $U_{PD} = \sqrt{2} \cdot V_e / 1,5$

$V_{vor}$  Defined voltage is the RMS value of a sinusoidal voltage with peak value of  $1,875 \cdot U_{PD}$  required for partial discharge test in IEC 61800-5-1  
 $V_{vor} = 1,875 \cdot U_{PD} / \sqrt{2}$

$V_{sys}$  System voltage RMS value of rated voltage according to IEC 61800-5-1

$V_{work}$  Working voltage voltage according to IEC 61800-5-1 which occurs by design in a circuit or across insulation

$V_o$ : Offset voltage between  $V_{out}$  and the rated reference voltage of  $V_{ref} = 2,5V$ .  
 $V_o = V_{out}(0) - 2,5V$

$V_{0H}$ : Zero variation of  $V_o$  after overloading with a DC of tenfold the rated value

$V_{0t}$ : Long term drift of  $V_o$  after 100 temperature cycles in the range -40 bis 85 °C.

X: Permissible measurement error in the final inspection at RT, defined by

$$X = 100 \cdot \left| \frac{V_{out}(I_{PN}) - V_{out}(0)}{0,625V} - 1 \right| \%$$

$X_{ges}(I_{PN})$ : Permissible measurement error including any drifts over the temperature range by the current measurement  $I_{PN}$

$$X_{ges} = 100 \cdot \left| \frac{V_{out}(I_{PN}) - 2,5V}{0,625V} - 1 \right| \% \quad \text{or} \quad X_{ges} = 100 \cdot \left| \frac{V_{out}(I_{PN}) - V_{ref}}{0,625V} - 1 \right| \%$$

$\epsilon_L$ : Linearity fault defined by  $\epsilon_L = 100 \cdot \left| \frac{I_P}{I_{PN}} - \frac{V_{out}(I_P) - V_{out}(0)}{V_{out}(I_{PN}) - V_{out}(0)} \right| \%$

This "Additional information" is no declaration of warranty according BGB §443.

Hrsg.: KB-E  
editor

Bearb.: Le  
designer

KB-PM: KRe.  
check

freig.: HS  
released

Компания «Океан Электроники» предлагает заключение долгосрочных отношений при поставках импортных электронных компонентов на взаимовыгодных условиях!

Наши преимущества:

- Поставка оригинальных импортных электронных компонентов напрямую с производств Америки, Европы и Азии, а так же с крупнейших складов мира;
- Широкая линейка поставок активных и пассивных импортных электронных компонентов (более 30 млн. наименований);
- Поставка сложных, дефицитных, либо снятых с производства позиций;
- Оперативные сроки поставки под заказ (от 5 рабочих дней);
- Экспресс доставка в любую точку России;
- Помощь Конструкторского Отдела и консультации квалифицированных инженеров;
- Техническая поддержка проекта, помощь в подборе аналогов, поставка прототипов;
- Поставка электронных компонентов под контролем ВП;
- Система менеджмента качества сертифицирована по Международному стандарту ISO 9001;
- При необходимости вся продукция военного и аэрокосмического назначения проходит испытания и сертификацию в лаборатории (по согласованию с заказчиком);
- Поставка специализированных компонентов военного и аэрокосмического уровня качества (Xilinx, Altera, Analog Devices, Intersil, Interpoint, Microsemi, Actel, Aeroflex, Peregrine, VPT, Syfer, Eurofarad, Texas Instruments, MS Kennedy, Miteq, Cobham, E2V, MA-COM, Hittite, Mini-Circuits, General Dynamics и др.);

Компания «Океан Электроники» является официальным дистрибьютором и эксклюзивным представителем в России одного из крупнейших производителей разъемов военного и аэрокосмического назначения «JONHON», а так же официальным дистрибьютором и эксклюзивным представителем в России производителя высокотехнологичных и надежных решений для передачи СВЧ сигналов «FORSTAR».



## JONHON

«JONHON» (основан в 1970 г.)

Разъемы специального, военного и аэрокосмического назначения:

(Применяются в военной, авиационной, аэрокосмической, морской, железнодорожной, горно- и нефтедобывающей отраслях промышленности)

«FORSTAR» (основан в 1998 г.)

ВЧ соединители, коаксиальные кабели, кабельные сборки и микроволновые компоненты:

(Применяются в телекоммуникациях гражданского и специального назначения, в средствах связи, РЛС, а так же военной, авиационной и аэрокосмической отраслях промышленности).



Телефон: 8 (812) 309-75-97 (многоканальный)

Факс: 8 (812) 320-03-32

Электронная почта: [ocean@oceanchips.ru](mailto:ocean@oceanchips.ru)

Web: <http://oceanchips.ru/>

Адрес: 198099, г. Санкт-Петербург, ул. Калинина, д. 2, корп. 4, лит. А