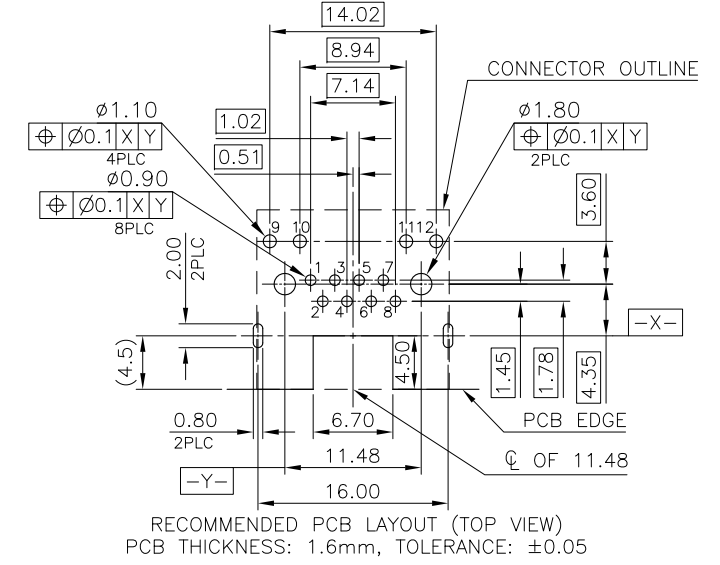
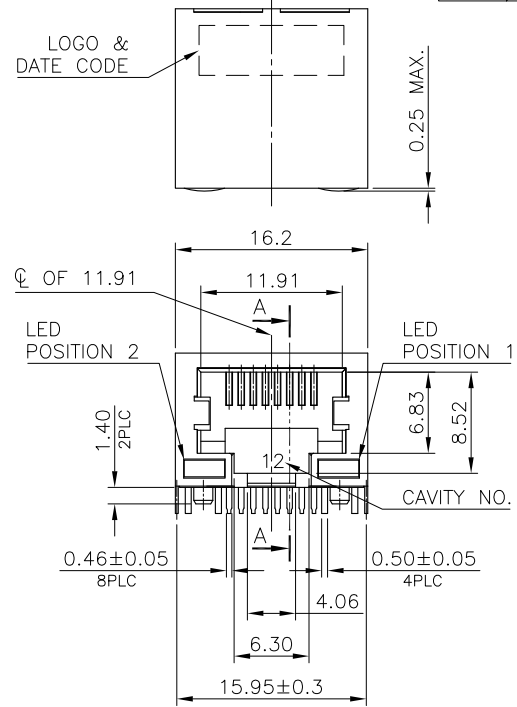
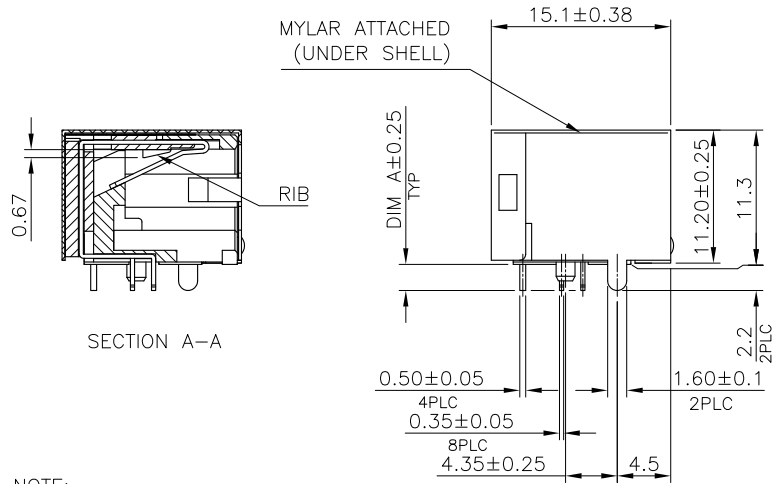
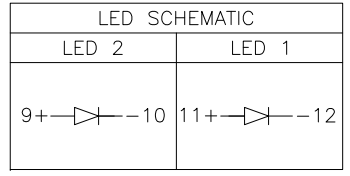
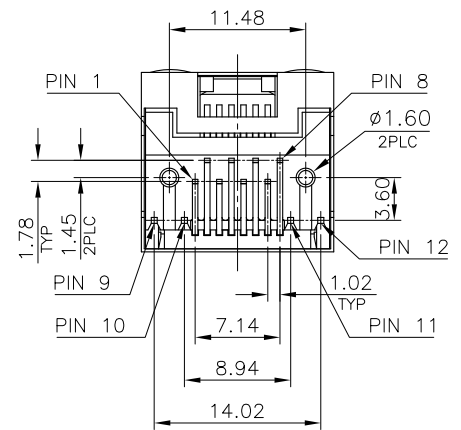


THIS DRAWING IS UNPUBLISHED. RELEASED FOR PUBLICATION
 © COPYRIGHT 2010 BY TYCO ELECTRONICS CORPORATION. ALL RIGHTS RESERVED.

LOC		DIST		REVISIONS					
DW				P	LTR	DESCRIPTION	DATE	DWN	APVD
				A5		REVISED (ECR-12-012115) OBSOLETE 1734324-6, 3-134324-4	26OCT'12	E.L.	W.K.

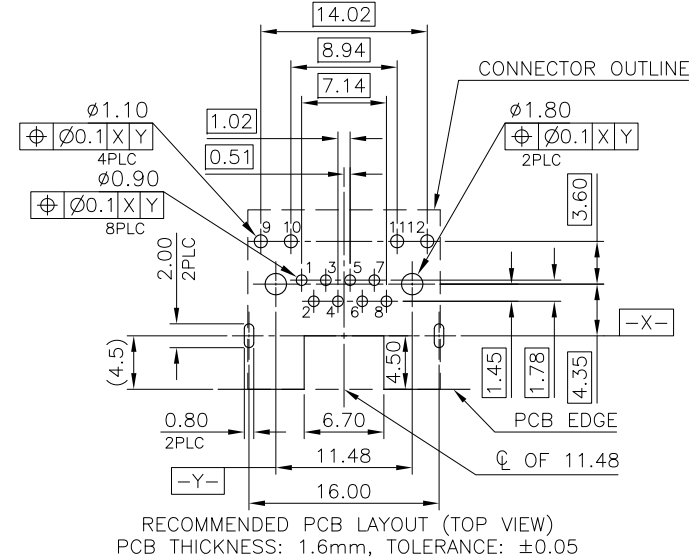
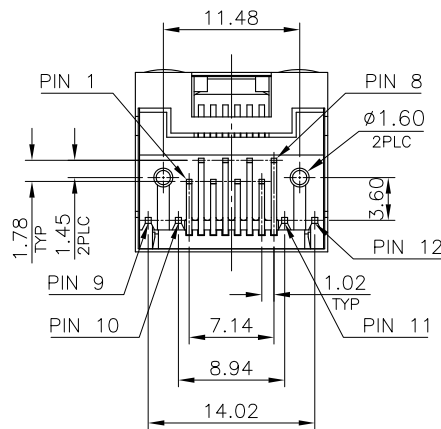
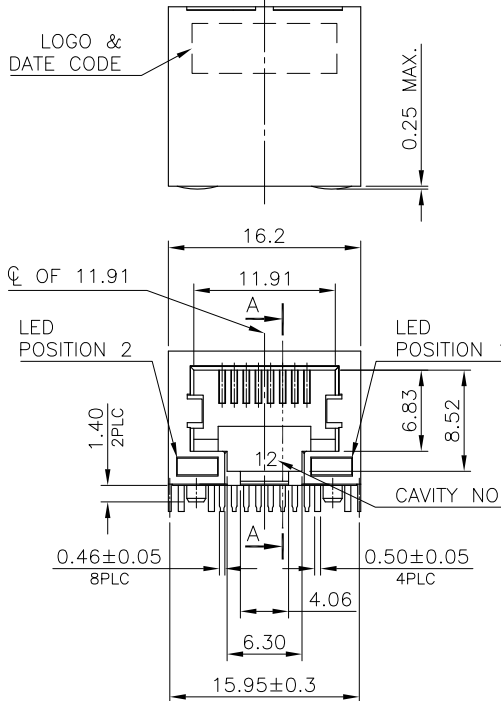
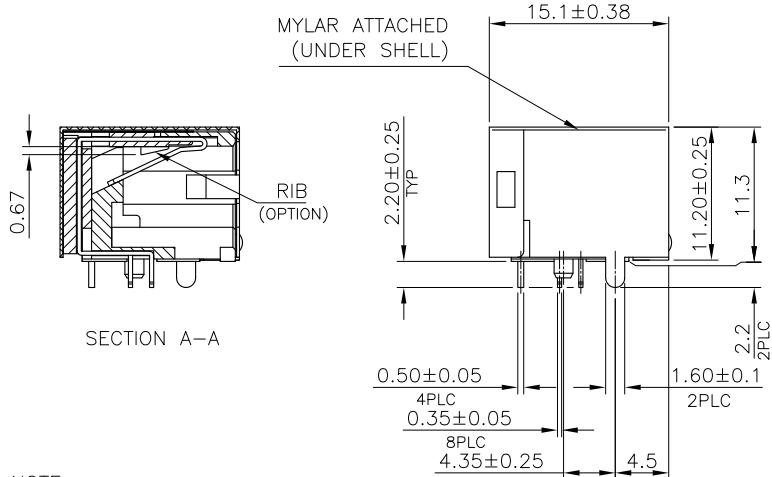
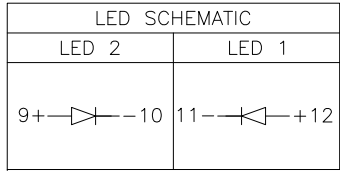


- NOTE:
- MATERIAL:
 - HOUSING: PA46, WITH 30% GF, UL94 V-0, BLACK COLOR.
 - INSERT HOUSING: PA46, WITH 30% GF, UL94 V-0, BLACK COLOR.
 - CONTACTS: PHOSPHOR BRONZE.
 - SHELL: BRASS.
 - LED SOLDER TAIL: STEEL.
 - MYLAR: SILICONE POLYMER.
 - FINISH:
 - CONTACTS: (SEE TABLE) GOLD PLATED ON CONTACT AREA. GOLD FLASH ON SOLDER TAIL. 1.27um [50u"] MIN. NICKEL UNDERPLATED OVERALL.
 - SHELL: 0.508um [20u"] MIN. NICKEL PLATED.
 - LED: 1.02um [40u"] COPPER UNDERPLATED OVERALL. 1.27um [50u"] NICKEL OVERALL. 1.27um [50u"] SILVER ON BONDING AREA. 2.54um [100u"] BRIGHT-TIN ON SOLDER AREA.
 - LED MUST BE REFLOW COMPATIBLE TO FOLLOWING TEMPERATURE PROFILE (FOR 1 CYCLE): ABOVE 160°C FOR 120 SECONDS, PEAKING AT 220°C FOR 10 SECONDS.
 - LED DEFECT RATE IS 6000 PPM MAX. AFTER IR REFLOW PROCESS AS NOTE 3.
 - WAVE SOLDER CAPABLE TO 265°C PER TE SPEC 109-202, CONDITION B.
 - OBSOLETE PARTS: OBSOLETE CIS STREAMLINING PER D.RENAUD/D.SINISI.



6	OBSOLETE	REEL	YELLOW	GREEN	1.27um[50u"]	1-1734324-8	
					0.762um[30u"]	1-1734324-7	
6	OBSOLETE	2.2	GREEN	YELLOW	0.381um[15u"]	1-1734324-6	
					0.152um[6u"]	1-1734324-5	
6	OBSOLETE	TRAY	YELLOW	GREEN	1.27um[50u"]	1-1734324-4	
					0.762um[30u"]	1734324-7	
6	OBSOLETE	TRAY	YELLOW	GREEN	0.381um[15u"]	1-1734324-2	
					0.152um[6u"]	1-1734324-1	
6	OBSOLETE	TRAY	GREEN	YELLOW	1.27um[50u"]	1-1734324-8	
					0.762um[30u"]	1734324-7	
6	OBSOLETE	TRAY	GREEN	YELLOW	0.381um[15u"]	1-1734324-6	
					0.152um[6u"]	1734324-5	
6	OBSOLETE	TRAY	GREEN	YELLOW	1.27um[50u"]	1-1734324-4	
					0.762um[30u"]	1734324-3	
6	OBSOLETE	TRAY	GREEN	YELLOW	0.381um[15u"]	1-1734324-2	
					0.152um[6u"]	1734324-1	
		PACKAGE	DIM A	POSITION 2	POSITION 1	MIN. GOLD THICKNESS	PART NUMBER
				INDICATOR COLOR			

THIS DRAWING IS A CONTROLLED DOCUMENT.		DWN	A. WU	04MAR2008	TE Connectivity MODULAR JACK CONNECTOR RJ45 WITH LED, 8P8C, SHIELDED TAB DOWN, DIP TYPE, H=11.3mm			
DIMENSIONS: mm		CHK	S. HOU	04MAR2008				
TOLERANCES UNLESS OTHERWISE SPECIFIED:		APVD	W. KODAMA	04MAR2008				
0 PLC ± - 1 PLC ± 0.3 2 PLC ± 0.2 3 PLC ± 0.15 4 PLC ± 0.1 ANGLES ± ± 3°		PRODUCT SPEC	108-57535					
MATERIAL	SEE NOTE	FINISH	SEE NOTE	APPLICATION SPEC	SIZE	CAGE CODE	DRAWING NO	RESTRICTED TO
				WEIGHT	4.5 GRAMS	A3	00779	C=1734324
CUSTOMER DRAWING				SCALE	SHEET	1 OF 7	REV	A5



- NOTE:
- MATERIAL:
 - HOUSING: PA46, WITH 30% GF, UL94 V-0, BLACK COLOR.
 - INSERT HOUSING: PA46, WITH 30% GF, UL94 V-0, BLACK COLOR.
 - CONTACTS: PHOSPHOR BRONZE.
 - SHELL: BRASS.
 - LED SOLDER TAIL: STEEL.
 - MYLAR: SILICONE POLYMER.
 - FINISH:
 - CONTACTS: (SEE TABLE) GOLD PLATED ON CONTACT AREA. GOLD FLASH ON SOLDER TAIL.
1.27um [50u"] MIN. NICKEL UNDERPLATED OVERALL.
 - SHELL: 0.508um [20u"] MIN. NICKEL PLATED.
 - LED: 1.02um [40u"] COPPER UNDERPLATED OVERALL.
1.27um [50u"] NICKEL OVERALL.
1.27um [50u"] SILVER ON BONDING AREA.
2.54um [100u"] BRIGHT-TIN ON SOLDER AREA.
 - LED MUST BE REFLOW COMPATIBLE TO FOLLOWING TEMPERATURE PROFILE (FOR 1 CYCLE): ABOVE 160°C FOR 120 SECONDS, PEAKING AT 220°C FOR 10 SECONDS.
 - LED DEFECT RATE IS 6000 PPM MAX. AFTER IR REFLOW PROCESS AS NOTE 3.
 - WAVE SOLDER CAPABLE TO 265°C PER TE SPEC 109-202, CONDITION B.
- ⚠️ OBSOLETE PARTS: OBSOLETE CIS STREAMLINING PER D.RENAUD/D.SINISI.

⚠️	OBSOLETE	W/O TAPE & REEL	YELLOW	GREEN	1.27um[50u"]	3-1734324-8
					0.762um[30u"]	3-1734324-7
⚠️	OBSOLETE	W/O TAPE & REEL	GREEN	YELLOW	0.381um[15u"]	3-1734324-6
					0.152um[6u"]	3-1734324-5
⚠️	OBSOLETE	W/ TRAY	YELLOW	GREEN	1.27um[50u"]	2-1734324-8
					0.762um[30u"]	2-1734324-7
⚠️	OBSOLETE	W/ TRAY	GREEN	YELLOW	0.381um[15u"]	2-1734324-2
					0.152um[6u"]	2-1734324-1
⚠️	OBSOLETE	W/ TRAY	YELLOW	GREEN	1.27um[50u"]	2-1734324-8
					0.762um[30u"]	2-1734324-7
⚠️	OBSOLETE	W/ TRAY	GREEN	YELLOW	0.381um[15u"]	2-1734324-2
					0.152um[6u"]	2-1734324-1
		RIB PACKAGE	POSITION 2	POSITION 1	MIN. GOLD THICKNESS	PART NUMBER
			INDICATOR COLOR			

THIS DRAWING IS A CONTROLLED DOCUMENT.

DIMENSIONS: mm	TOLERANCES UNLESS OTHERWISE SPECIFIED:	DWN	
	0 PLC ± -	CHK	
	1 PLC ± 0.3	APVD	
	2 PLC ± 0.2	PRODUCT SPEC	NAME
	3 PLC ± 0.15	APPLICATION SPEC	
4 PLC ± 0.1	ANGLES ± 3'	WEIGHT	
MATERIAL	FINISH	CUSTOMER DRAWING	SCALE

STE TE Connectivity

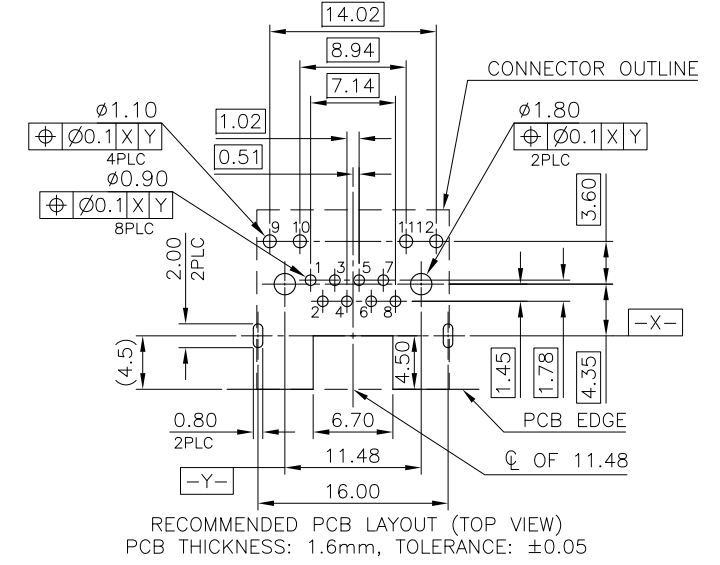
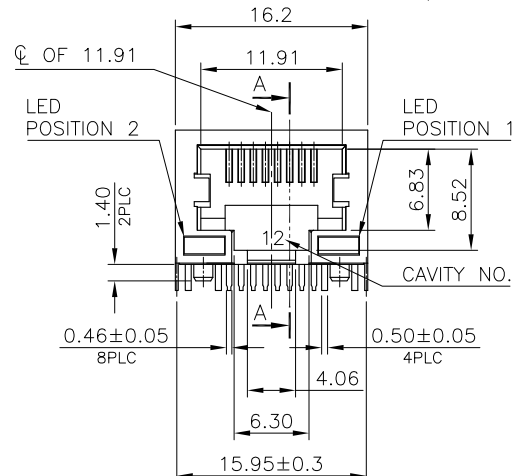
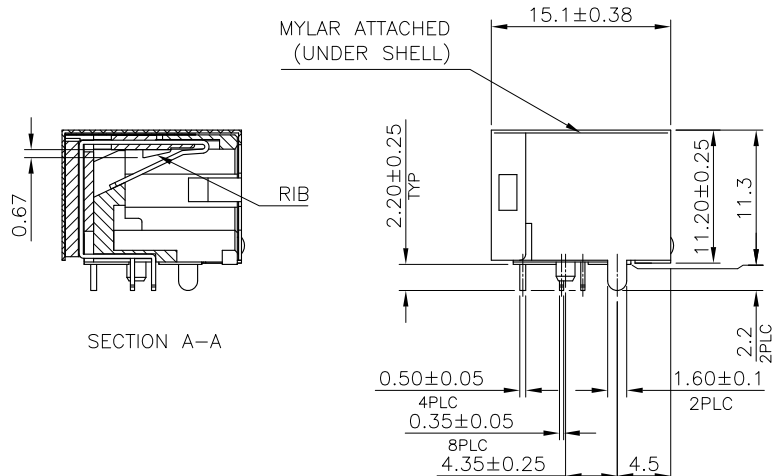
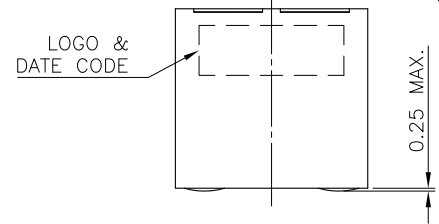
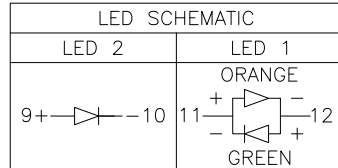
MODULAR JACK CONNECTOR
 RJ45 WITH LED, 8P8C, SHIELDED
 TAB DOWN, DIP TYPE, H=11.3mm

SIZE	CAGE CODE	DRAWING NO	RESTRICTED TO
A3	00779	©=1734324	

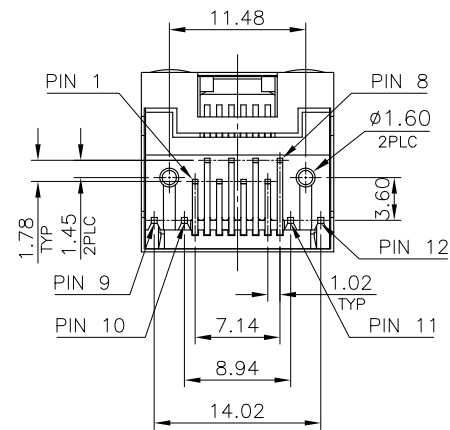
SHEET 2 of 7 REV A5

THIS DRAWING IS UNPUBLISHED. RELEASED FOR PUBLICATION
 © COPYRIGHT 2010 BY TYCO ELECTRONICS CORPORATION. ALL RIGHTS RESERVED.

LOC		DIST		REVISIONS					
DW				P	LTR	DESCRIPTION	DATE	DWN	APVD
SEE SHEET 1.									



- NOTE:
- MATERIAL:
 - HOUSING: PA46, WITH 30% GF, UL94 V-0, BLACK COLOR.
 - INSERT HOUSING: PA46, WITH 30% GF, UL94 V-0, BLACK COLOR.
 - CONTACTS: PHOSPHOR BRONZE.
 - SHELL: BRASS.
 - LED SOLDER TAIL: STEEL.
 - MYLAR: SILICONE POLYMER.
 - FINISH:
 - CONTACTS: (SEE TABLE) GOLD PLATED ON CONTACT AREA. GOLD FLASH ON SOLDER TAIL. 1.27um [50u"] MIN. NICKEL UNDERPLATED OVERALL.
 - SHELL: 0.508um [20u"] MIN. NICKEL PLATED.
 - LED: 1.02um [40u"] COPPER UNDERPLATED OVERALL. 1.27um [50u"] NICKEL OVERALL. 1.27um [50u"] SILVER ON BONDING AREA. 2.54um [100u"] BRIGHT-TIN ON SOLDER AREA.
 - LED MUST BE REFLOW COMPATIBLE TO FOLLOWING TEMPERATURE PROFILE (FOR 1 CYCLE): ABOVE 160°C FOR 120 SECONDS, PEAKING AT 220°C FOR 10 SECONDS.
 - LED DEFECT RATE IS 6000 PPM MAX. AFTER IR REFLOW PROCESS AS NOTE 3.
 - WAVE SOLDER CAPABLE TO 265°C PER TE SPEC 109-202, CONDITION B.
 - OBsolete PARTS: OBsolete CIS STREAMLINING PER D.RENAUD/D.SINISI.

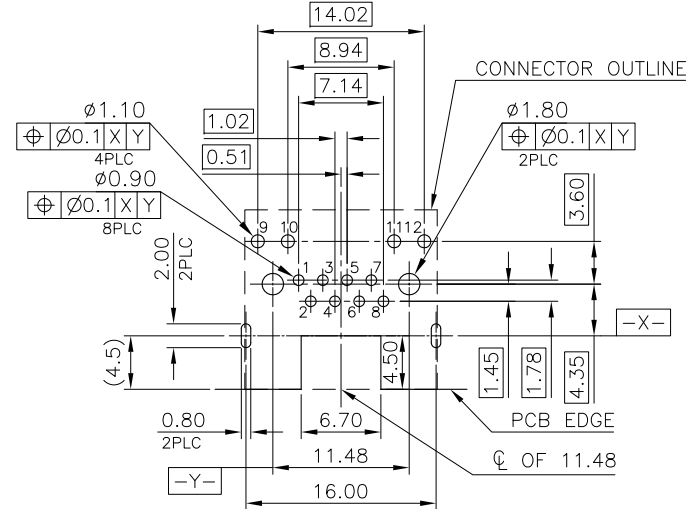
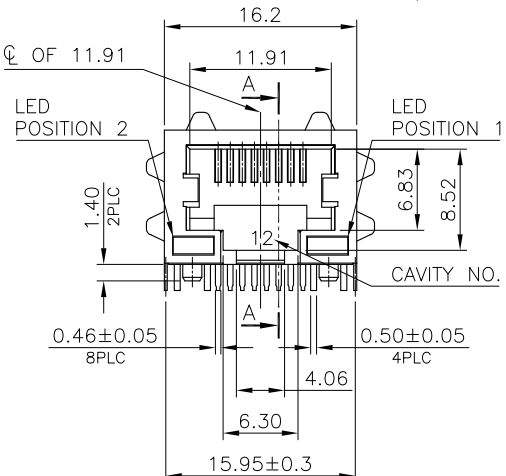
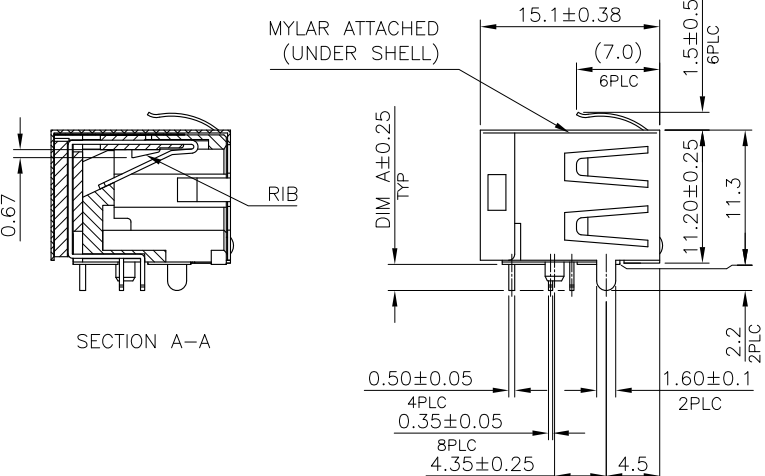
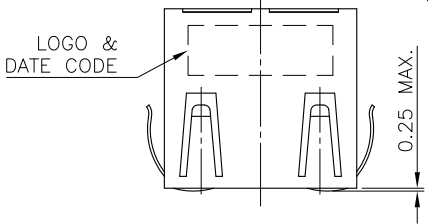
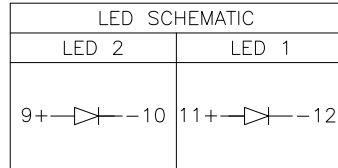


6	OBsolete	TRAY	GREEN	ORANGE/GREEN	1.27um [50u"]	4-1734324-4
	0.762um [30u"]				4-1734324-3	
6	OBsolete	PACKAGE	POSITION 2 INDICATOR COLOR	POSITION 1	0.381um [15u"]	4-1734324-2
					0.152um [6u"]	4-1734324-1
					MIN. GOLD THICKNESS	PART NUMBER

THIS DRAWING IS A CONTROLLED DOCUMENT.		DWN	TE Connectivity			
DIMENSIONS: mm		CHK	NAME			
TOLERANCES UNLESS OTHERWISE SPECIFIED:		APVD	MODULAR JACK CONNECTOR			
0 PLC ± -		PRODUCT SPEC	RJ45 WITH LED, 8P8C, SHIELDED			
1 PLC ± 0.3		APPLICATION SPEC	TAB DOWN, DIP TYPE, H=11.3mm			
2 PLC ± 0.2		WEIGHT	SIZE	CAGE CODE	DRAWING NO	RESTRICTED TO
3 PLC ± 0.15		CUSTOMER DRAWING	A3	00779	C=1734324	
4 PLC ± -		SCALE	SHEET		3 of 7	REV A5
ANGLES ± 3'						
MATERIAL	FINISH					

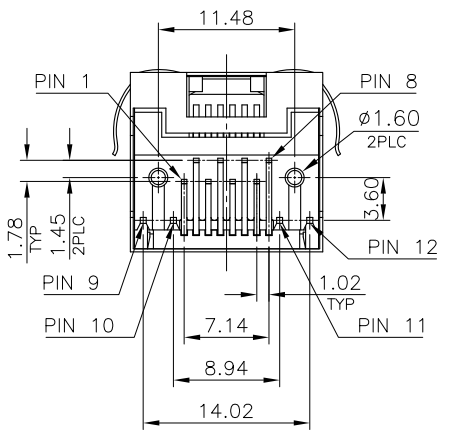
THIS DRAWING IS UNPUBLISHED. RELEASED FOR PUBLICATION
 © COPYRIGHT 2010 BY TYCO ELECTRONICS CORPORATION. ALL RIGHTS RESERVED.

LOC	DIST	REVISIONS					
DW		P	LTR	DESCRIPTION	DATE	DWN	APVD
				SEE SHEET 1.			



RECOMMENDED PCB THICKNESS	DIM A
1.6	2.2
2.0	3.5

- NOTE:
- MATERIAL:
 - HOUSING: PA46, WITH 30% GF, UL94 V-0, BLACK COLOR.
 - INSERT HOUSING: PA46, WITH 30% GF, UL94 V-0, BLACK COLOR.
 - CONTACTS: PHOSPHOR BRONZE.
 - SHELL: BRASS.
 - LED SOLDER TAIL: STEEL.
 - MYLAR: SILICONE POLYMER.
 - FINISH:
 - CONTACTS: (SEE TABLE) GOLD PLATED ON CONTACT AREA. GOLD FLASH ON SOLDER TAIL. 1.27um [50u"] MIN. NICKEL UNDERPLATED OVERALL.
 - SHELL: 0.508um [20u"] MIN. NICKEL PLATED.
 - LED: 1.02um [40u"] COPPER UNDERPLATED OVERALL. 1.27um [50u"] NICKEL OVERALL. 1.27um [50u"] SILVER ON BONDING AREA. 2.54um [100u"] BRIGHT-TIN ON SOLDER AREA.
 - LED MUST BE REFLOW COMPATIBLE TO FOLLOWING TEMPERATURE PROFILE (FOR 1 CYCLE): ABOVE 160°C FOR 120 SECONDS, PEAKING AT 220°C FOR 10 SECONDS.
 - LED DEFECT RATE IS 6000 PPM MAX. AFTER IR REFLOW PROCESS AS NOTE 3.
 - WAVE SOLDER CAPABLE TO 265°C PER TE SPEC 109-202, CONDITION B.
 - OBSELETE PARTS: OBSELETE CIS STREAMLINING PER D.RENAUD/D.SINISI.



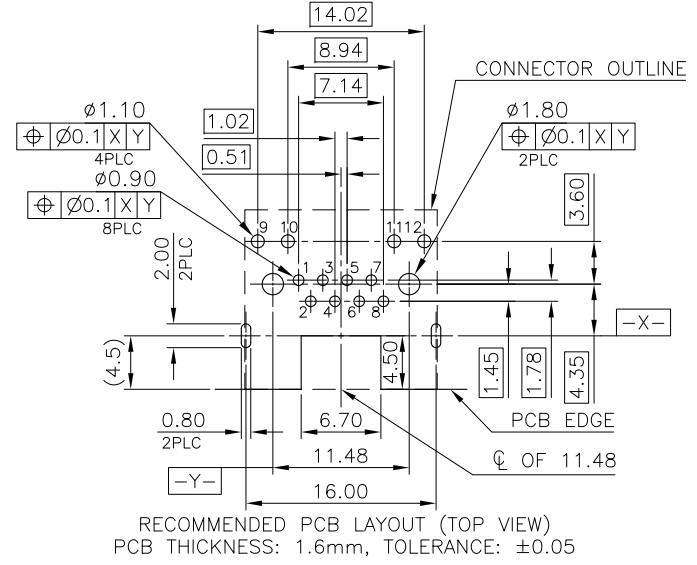
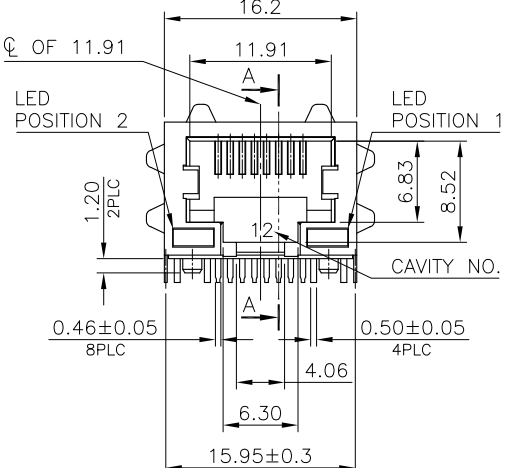
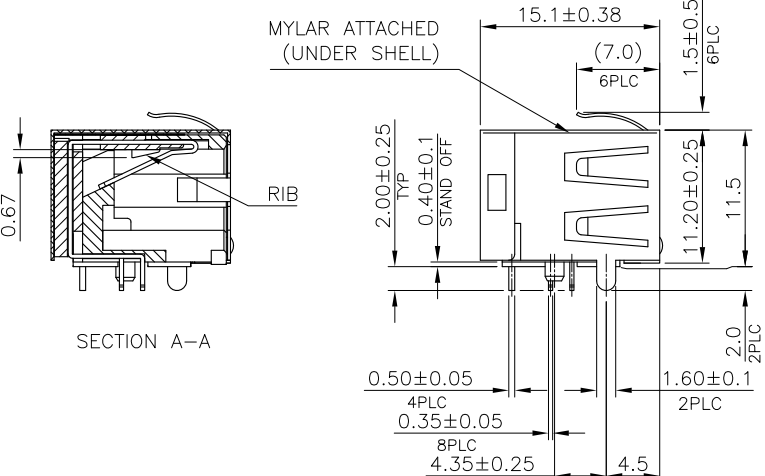
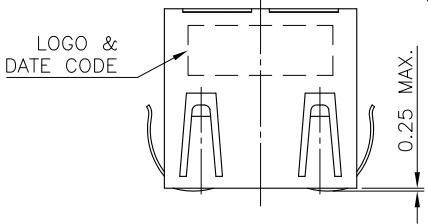
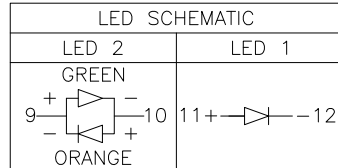
6	OBSELETE	TRAY	3.5	GREEN	YELLOW	0.762um[30u"]	5-1734324-9			
			2.2	YELLOW	GREEN	1.27um[50u"]	5-1734324-8			
						0.762um[30u"]	5-1734324-7			
						0.381um[15u"]	5-1734324-6			
6	OBSELETE	PACKAGE	DIM A	POSITION 2	POSITION 1	MIN. GOLD THICKNESS	PART NUMBER			
								INDICATOR COLOR	0.152um[6u"]	5-1734324-5
									1.27um[50u"]	5-1734324-4
0.762um[30u"]	5-1734324-3									
						0.381um[15u"]	5-1734324-2			
						0.152um[6u"]	5-1734324-1			

THIS DRAWING IS A CONTROLLED DOCUMENT.

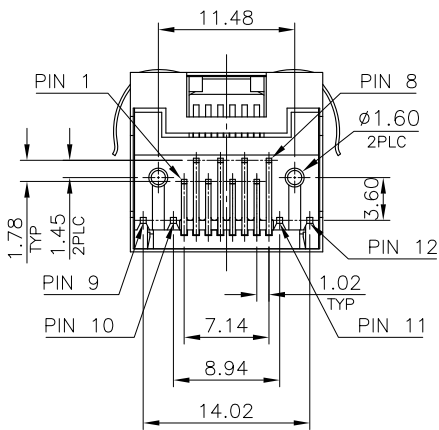
DIMENSIONS: mm	TOLERANCES UNLESS OTHERWISE SPECIFIED:	DWN	TE Connectivity
	0 PLC ± -	CHK	MODULAR JACK CONNECTOR RJ45 WITH LED, 8P8C, SHIELDED TAB DOWN, DIP TYPE, H=11.3mm
	1 PLC ± 0.3	APVD	
	2 PLC ± 0.2	PRODUCT SPEC	
	3 PLC ± 0.15	APPLICATION SPEC	
	4 PLC ± 0.1	WEIGHT	SIZE CAGE CODE DRAWING NO RESTRICTED TO
	ANGLES ± - ± 3'	CUSTOMER DRAWING	A3 00779 C=1734324
MATERIAL	FINISH	SCALE	SHEET 4 of 7 REV A5

THIS DRAWING IS UNPUBLISHED. RELEASED FOR PUBLICATION
 © COPYRIGHT 2010 BY TYCO ELECTRONICS CORPORATION. ALL RIGHTS RESERVED.

LOC		DIST		REVISIONS					
DW				P	LTR	DESCRIPTION	DATE	DWN	APVD
				SEE SHEET 1.					



- NOTE:
- MATERIAL:
 - HOUSING: PA9T, WITH 30% GF, UL94 V-0, BLACK COLOR.
 - INSERT HOUSING: PA46, WITH 30% GF, UL94 V-0, BLACK COLOR.
 - CONTACTS: PHOSPHOR BRONZE.
 - SHELL: BRASS.
 - LED SOLDER TAIL: STEEL.
 - MYLAR: SILICONE POLYMER.
 - FINISH:
 - CONTACTS: (SEE TABLE) GOLD PLATED ON CONTACT AREA. GOLD FLASH ON SOLDER TAIL. 1.27um [50u"] MIN. NICKEL UNDERPLATED OVERALL.
 - SHELL: 0.508um [20u"] MIN. NICKEL PLATED.
 - LED: 1.02um [40u"] COPPER UNDERPLATED OVERALL. 1.27um [50u"] NICKEL OVERALL. 1.27um [50u"] SILVER ON BONDING AREA. 2.54um [100u"] BRIGHT-TIN ON SOLDER AREA.
 - LED MUST BE REFLOW COMPATIBLE TO FOLLOWING TEMPERATURE PROFILE (FOR 1 CYCLE): ABOVE 160°C FOR 120 SECONDS, PEAKING AT 220°C FOR 10 SECONDS.
 - LED DEFECT RATE IS 6000 PPM MAX. AFTER IR REFLOW PROCESS AS NOTE 3.
 - WAVE SOLDER CAPABLE TO 265°C PER TE SPEC 109-202, CONDITION B.



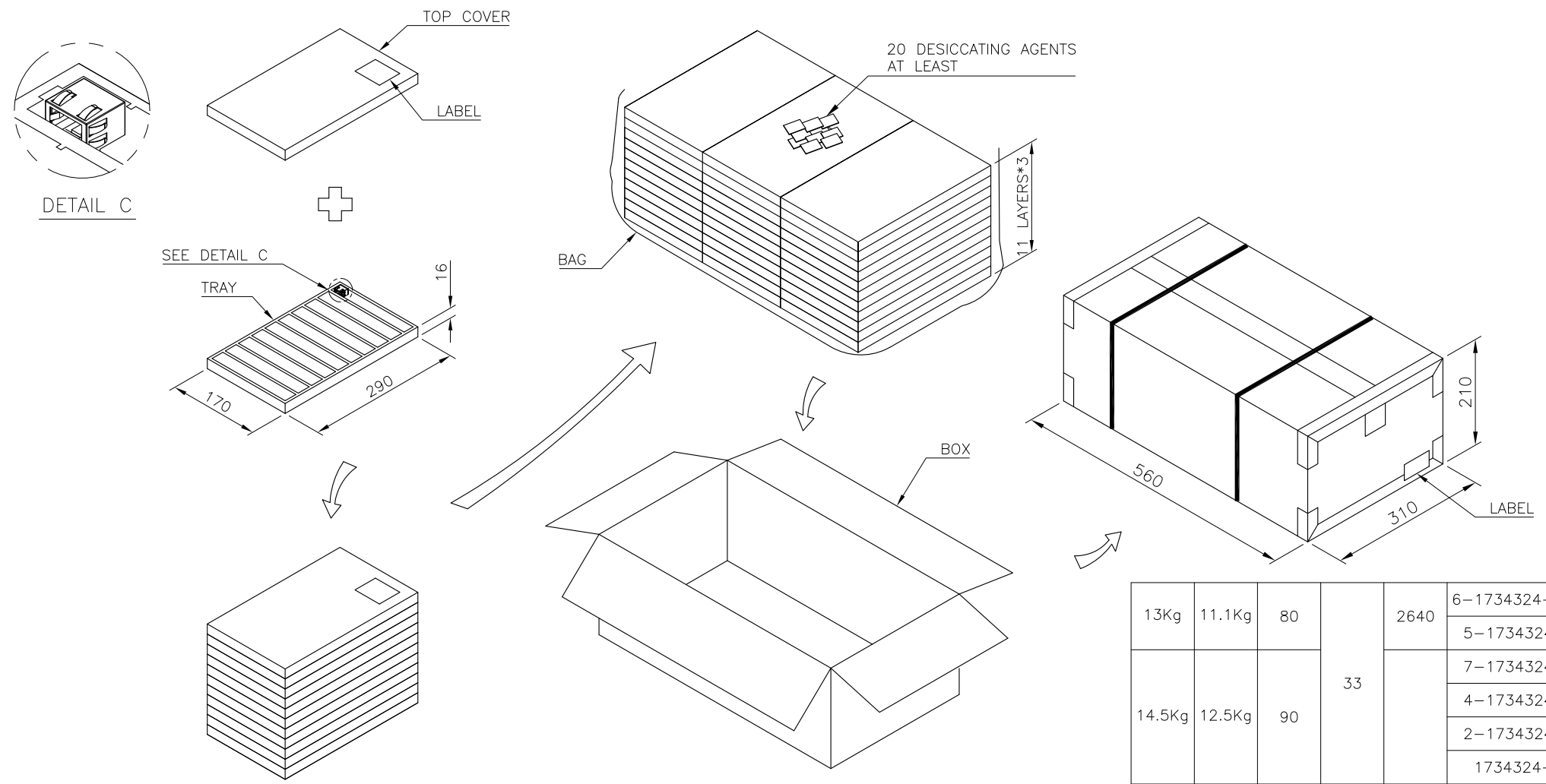
TAPE & REEL	GREEN/ ORANGE	YELLOW	1.27um [50u"]	6-1734324-8
			0.762um [30u"]	6-1734324-7
			0.381um [15u"]	6-1734324-6
TRAY	GREEN/ ORANGE	YELLOW	0.152um [6u"]	6-1734324-5
			1.27um [50u"]	6-1734324-4
			0.762um [30u"]	6-1734324-3
PACKAGE	POSITION 2 INDICATOR COLOR	POSITION 1	0.381um [15u"]	6-1734324-2
			0.152um [6u"]	6-1734324-1
			MIN. GOLD THICKNESS	PART NUMBER

THIS DRAWING IS A CONTROLLED DOCUMENT.

DIMENSIONS: mm	TOLERANCES UNLESS OTHERWISE SPECIFIED:	DWN	TE Connectivity
	0 PLC ±	CHK	NAME
	1 PLC ±0.3	APVD	MODULAR JACK CONNECTOR
	2 PLC ±0.2	PRODUCT SPEC	RJ45 WITH LED, 8P8C, SHIELDED
	3 PLC ±0.15	APPLICATION SPEC	TAB DOWN, DIP TYPE, H=11.3mm
	4 PLC ±	WEIGHT	SIZE CAGE CODE DRAWING NO RESTRICTED TO
	ANGLES ± 3'	CUSTOMER DRAWING	A3 00779 C=1734324
MATERIAL	FINISH	SCALE	SHEET 5 of 7 REV A5

THIS DRAWING IS UNPUBLISHED. RELEASED FOR PUBLICATION
 © COPYRIGHT 2010 BY TYCO ELECTRONICS CORPORATION. ALL RIGHTS RESERVED.

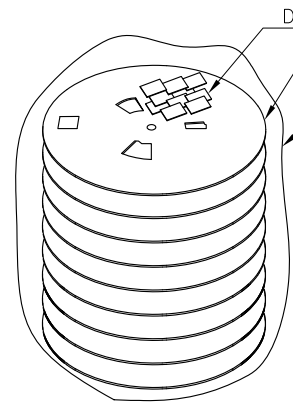
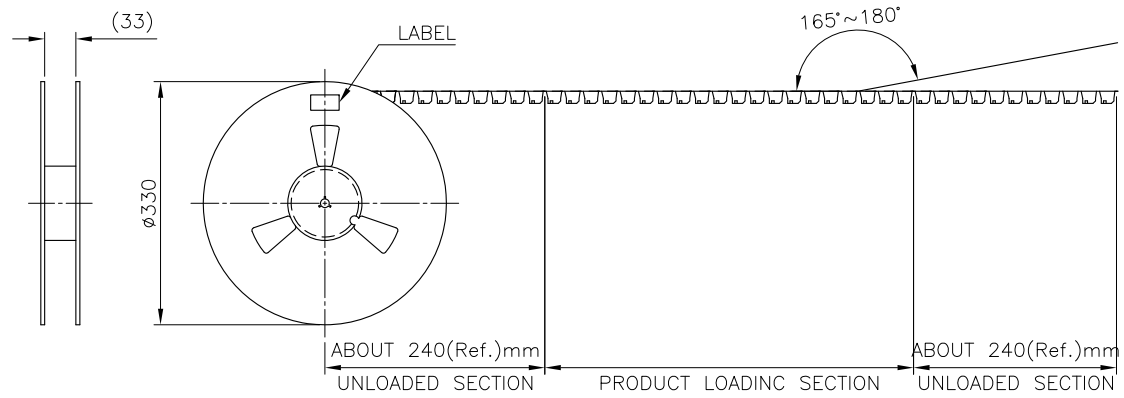
LOC	DIST	REVISIONS					
DW		P	LTR	DESCRIPTION	DATE	DWN	APVD
		SEE SHEET 1.					



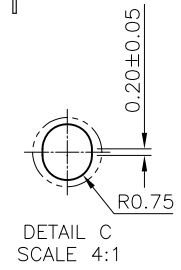
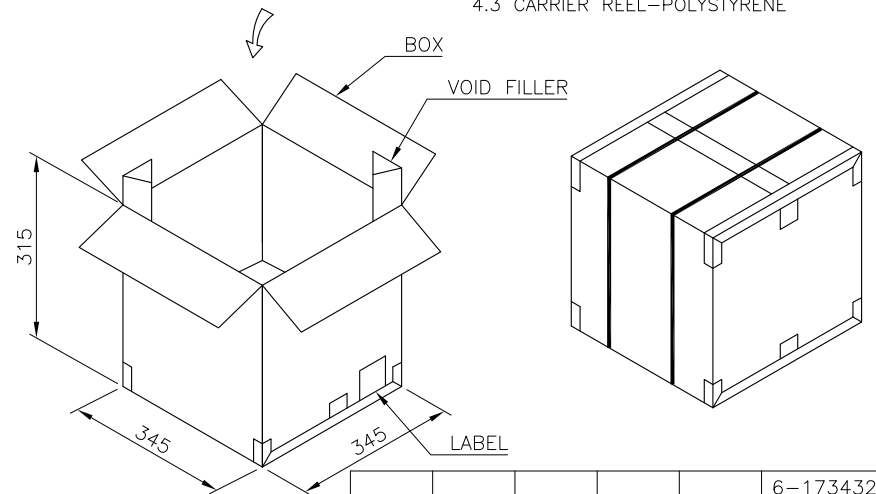
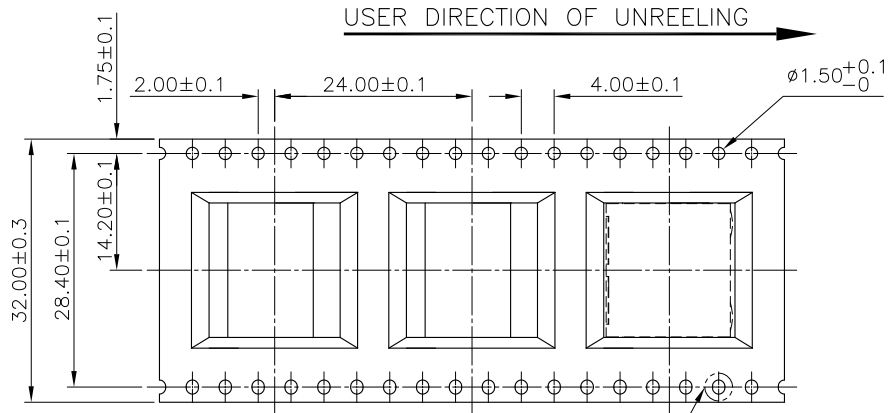
13Kg	11.1Kg	80	33	2640	6-1734324-1~4
14.5Kg	12.5Kg	90			7-1734324-X
					4-1734324-X
					2-1734324-X
					1734324-X
GROSS WEIGHT	NET WEIGHT	PCS /TRAY	TRAY /BOX	PCS /BOX	PART NUMBER

- NOTES:
- MATERIAL:
TRAY: PVC.
BOX: CORRUGATED FIBER.
 - DIMENSION: SEE DRAWING
 - QUANTITY: SEE TABLE
 - WEIGHT: SEE TABLE

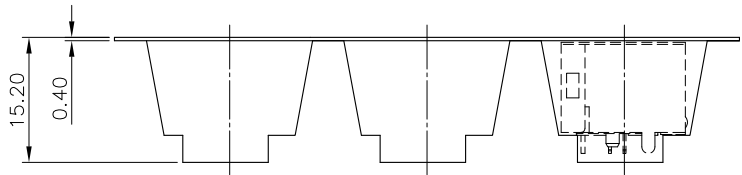
THIS DRAWING IS A CONTROLLED DOCUMENT.		DWN	TE Connectivity		
DIMENSIONS: mm		CHK	NAME		
TOLERANCES UNLESS OTHERWISE SPECIFIED:		APVD	MODULAR JACK CONNECTOR		
0 PLC ± - 1 PLC ±0.3 2 PLC ±0.2 3 PLC ±0.15 4 PLC ± - ANGLES ± 3°		PRODUCT SPEC	RJ45 WITH LED, 8P8C, SHIELDED		
MATERIAL		APPLICATION SPEC	TAB DOWN, DIP TYPE, H=11.3mm		
FINISH		WEIGHT	SIZE	CAGE CODE	DRAWING NO
		CUSTOMER DRAWING	A3	00779	©=1734324
			RESTRICTED TO		
			SCALE	SHEET	REV
				6 of 7	A5



- NOTE:
- EACH BAG SHALL BE INCLUDED:
*DESICCANT
 - PEELING STRENGTH: 0.1~1.3N(1~130 GRAMS) FOR 12~56mm WIDE CARRIER TAPES
 - PEELING SPEED: 300mm/MINUTES.
 - PACKAGING MATERIAL:
 - COVER TAPE-COMPOSITE OF POLYETHYLENE TEREPHTHALATE (PET)
 - CARRIER-POLYSTYRENE (PS)
 - CARRIER REEL-POLYSTYRENE



8.5KG	6.1KG	180	8	1440	6-1734324-5~8
					3-1734324-X
					1-1734324-X
GROSS WEIGHT	NET WEIGHT	PCS /REEL	REEL /BOX	PCS /BOX	PART NUMBER



THIS DRAWING IS A CONTROLLED DOCUMENT.

DIMENSIONS: mm	TOLERANCES UNLESS OTHERWISE SPECIFIED:	DWN	TE Connectivity
	0 PLC ±	CHK	MODULAR JACK CONNECTOR RJ45 WITH LED, 8P8C, SHIELDED TAB DOWN, DIP TYPE, H=11.3mm
	1 PLC ±0.3	APVD	
	2 PLC ±0.2	PRODUCT SPEC	
	3 PLC ±0.15	APPLICATION SPEC	
	4 PLC ±	WEIGHT	
MATERIAL	FINISH	APVD	RESTRICTED TO
		PRODUCT SPEC	SIZE
		APPLICATION SPEC	CAGE CODE
		WEIGHT	DRAWING NO
			00779
			C=1734324
			SCALE
			SHEET
			7 of 7
			REV
			A5

CUSTOMER DRAWING

Компания «Океан Электроники» предлагает заключение долгосрочных отношений при поставках импортных электронных компонентов на взаимовыгодных условиях!

Наши преимущества:

- Поставка оригинальных импортных электронных компонентов напрямую с производств Америки, Европы и Азии, а так же с крупнейших складов мира;
- Широкая линейка поставок активных и пассивных импортных электронных компонентов (более 30 млн. наименований);
- Поставка сложных, дефицитных, либо снятых с производства позиций;
- Оперативные сроки поставки под заказ (от 5 рабочих дней);
- Экспресс доставка в любую точку России;
- Помощь Конструкторского Отдела и консультации квалифицированных инженеров;
- Техническая поддержка проекта, помощь в подборе аналогов, поставка прототипов;
- Поставка электронных компонентов под контролем ВП;
- Система менеджмента качества сертифицирована по Международному стандарту ISO 9001;
- При необходимости вся продукция военного и аэрокосмического назначения проходит испытания и сертификацию в лаборатории (по согласованию с заказчиком);
- Поставка специализированных компонентов военного и аэрокосмического уровня качества (Xilinx, Altera, Analog Devices, Intersil, Interpoint, Microsemi, Actel, Aeroflex, Peregrine, VPT, Syfer, Eurofarad, Texas Instruments, MS Kennedy, Miteq, Cobham, E2V, MA-COM, Hittite, Mini-Circuits, General Dynamics и др.);

Компания «Океан Электроники» является официальным дистрибьютором и эксклюзивным представителем в России одного из крупнейших производителей разъемов военного и аэрокосмического назначения «JONHON», а так же официальным дистрибьютором и эксклюзивным представителем в России производителя высокотехнологичных и надежных решений для передачи СВЧ сигналов «FORSTAR».



JONHON

«JONHON» (основан в 1970 г.)

Разъемы специального, военного и аэрокосмического назначения:

(Применяются в военной, авиационной, аэрокосмической, морской, железнодорожной, горно- и нефтедобывающей отраслях промышленности)

«FORSTAR» (основан в 1998 г.)

ВЧ соединители, коаксиальные кабели,
кабельные сборки и микроволновые компоненты:

(Применяются в телекоммуникациях гражданского и специального назначения, в средствах связи, РЛС, а так же военной, авиационной и аэрокосмической отраслях промышленности).



Телефон: 8 (812) 309-75-97 (многоканальный)

Факс: 8 (812) 320-03-32

Электронная почта: ocean@oceanchips.ru

Web: <http://oceanchips.ru/>

Адрес: 198099, г. Санкт-Петербург, ул. Калинина, д. 2, корп. 4, лит. А