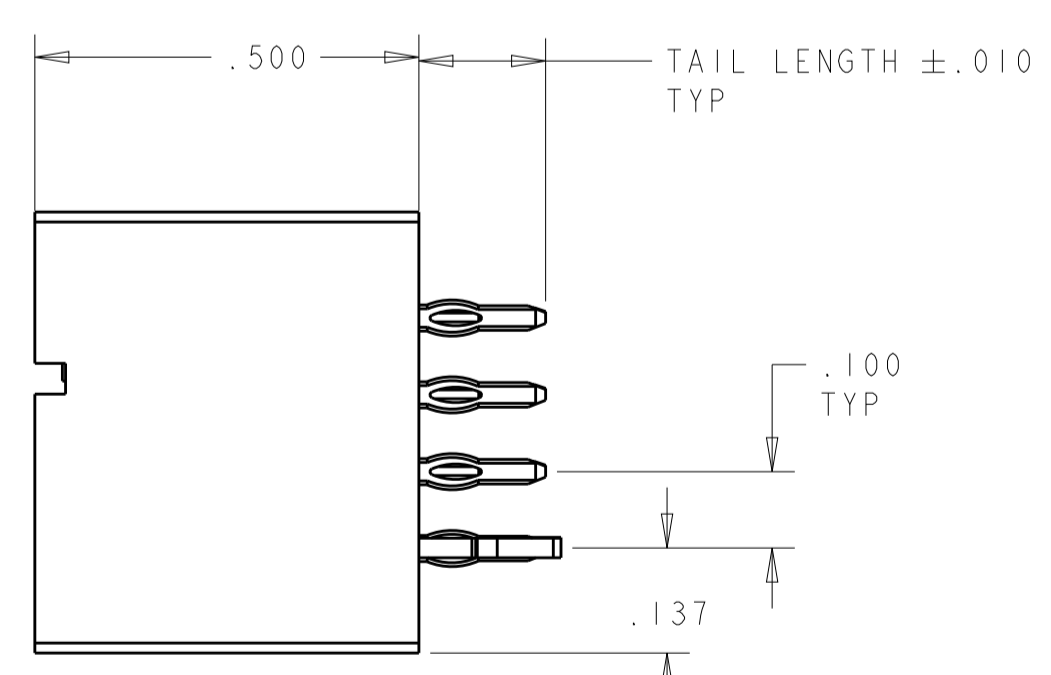
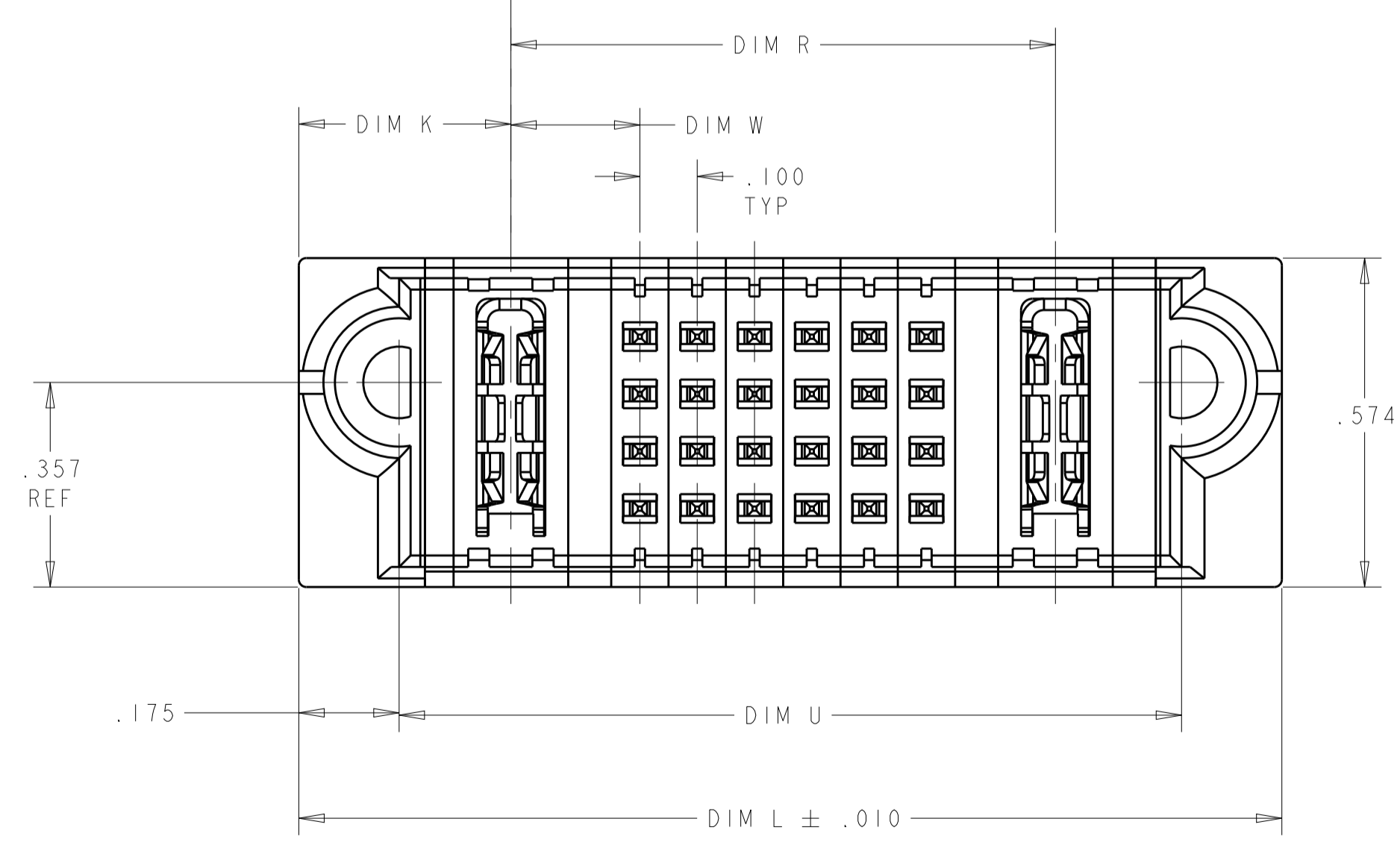
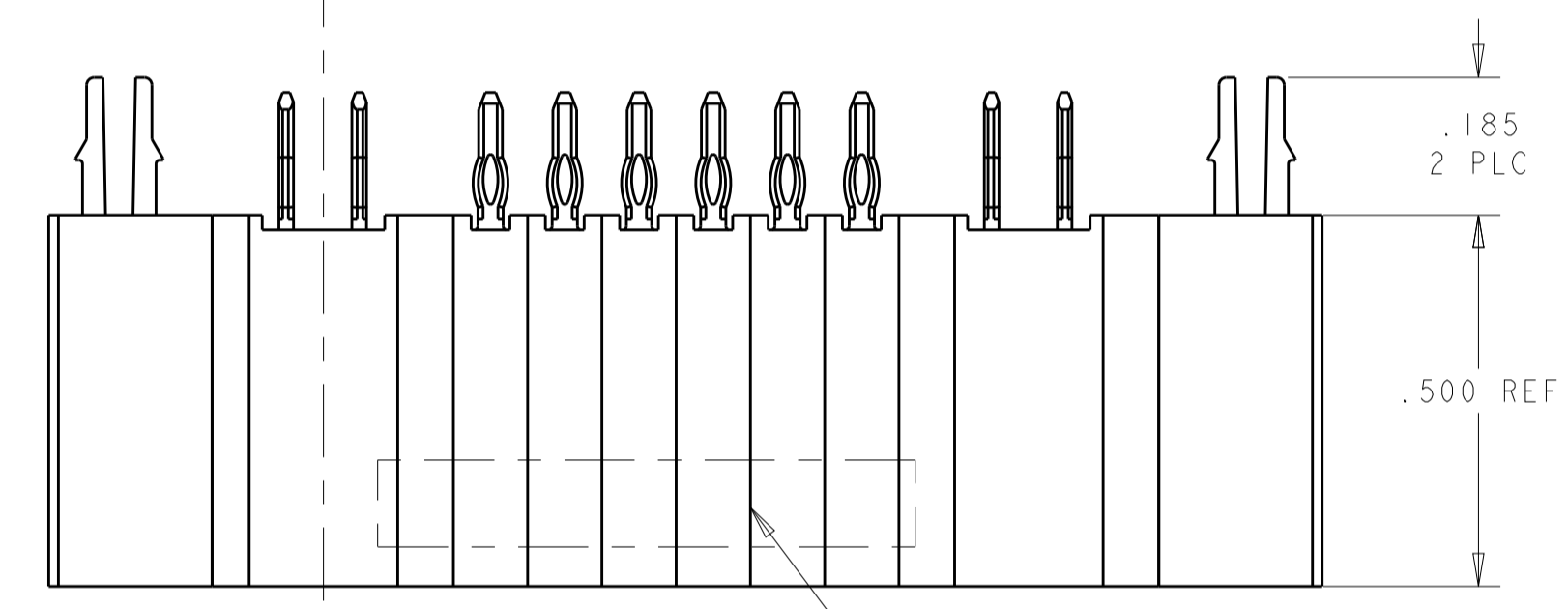
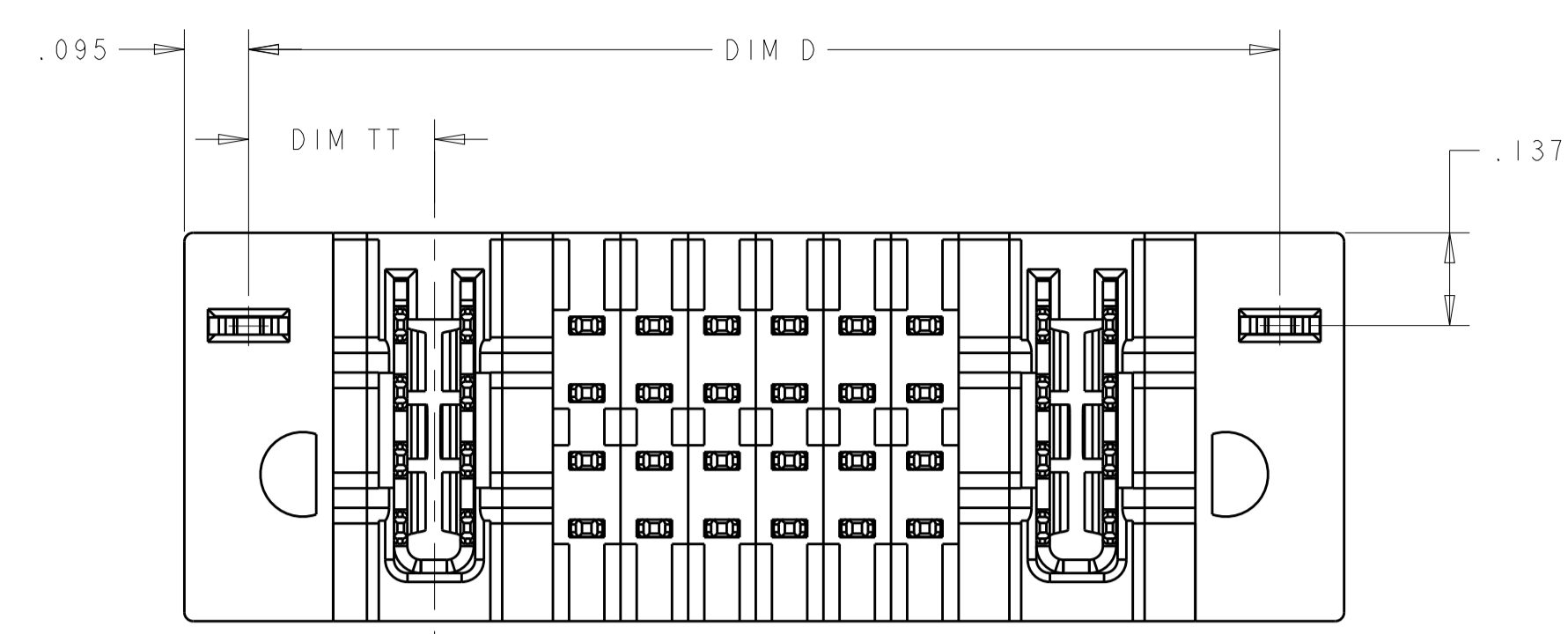
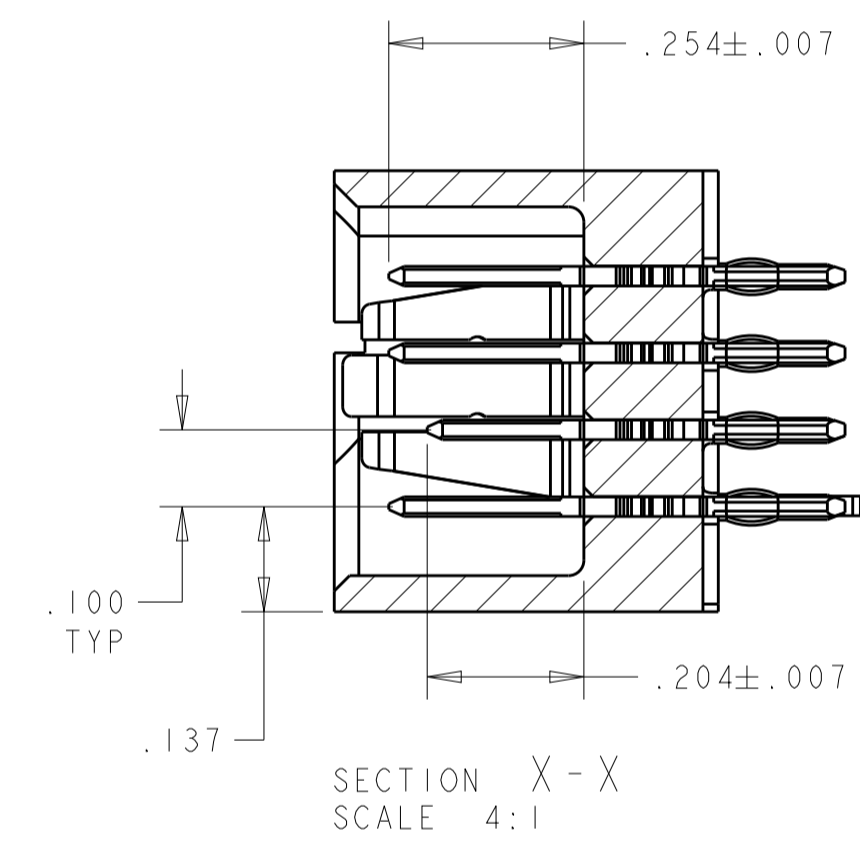


LOC		DIST		REVISIONS			
P	LTN	DESCRIPTION	DATE	OWN	APVD		
G6		ADD NEW PART -25	19AUG2013	AY	SZ		
G7		UPDATE -25 MATING SEQUENCE	29AUG2013	AY	SZ		
G8		UPDATE -25 MATING SEQUENCE	30AUG2013	AY	SZ		



- 1 HEADER HOUSING: THERMO PLASTIC, BLACK, UL94 V-O; CONTACTS AND RETENTION CLIPS: COPPER ALLOY.
- 2 CONTACT PLATING: NOBLE METAL PLATING ON CONTACT FUNCTIONAL AREA OF POWER AND SIGNAL CONTACTS
- 3 "AMP", PART NUMBER AND DATE CODE MARKED IN THIS AREA. PARTS UNDER 2.50 LONG MAY BE MARKED ON BOTH SIDES.
- 4 DATUM AND BASIC DIMENSIONS ESTABLISHED BY CUSTOMER.
- 5 PCB - ALL HOLE DIAMETERS ARE FINISHED HOLE SIZES.
- 6 A SEATING TOOL IS REQUIRED TO SEAT THE HEADER ON THE P.C. BOARD. PLEASE REFER TO THE 114-13251 APPLICATION SPEC.
- 7 MECHANICAL CONNECTOR KEEP OUT ZONE.
- 8 DETAIL DIM SEE PART VIEW
- 9 FOR THE CONFIGURATION WITH VENT, PLEASE REFER TO SHEET 2.
- 10 FOR THE CONFIGURATION LP/S/LP WITH VENT, PLEASE REFER TO SHEET 3.
- 11 FOR THE CONFIGURATION LP/S/P, WITH VENT, PLEASE REFER TO SHEET 4.



66	.240	.165	.1825	2.220	1.870	2.030	1.145	.7125	.2775	3LP + 16S + 4LP	2-6450820-5
	.200	-	.225	3.065	2.715	2.875	-	1.975	.320	10HDP + 24S	2-6450820-3
	.300	-	.275	1.790	1.440	1.600	-	1.150	.370	4ACP + 4S	2-6450820-2
	.115	.250	.2075	2.555	2.205	2.365	1.4075	.7325	.3025	6LP + 24S + 3P	2-6450820-1
	-	-	.1825	1.120	.770	.930	.565	.1575	.2775	1LP + 16S + 1LP	2-6450820-0
	.250	.250	.250	3.540	3.190	3.350	1.850	1.175	.345	5P + 24S + 5P	1-6450820-9
	.250	.250	.225	4.140	3.790	3.950	2.500	1.200	.320	5P + 48S + 5P	1-6450820-8
	.250	-	.225	4.640	4.290	4.450	-	2.950	.320	12P + 48S	1-6450820-7
	.250	-	.225	2.415	2.065	2.225	-	1.425	.320	6P + 20S	1-6450820-5
	-	.300	.175	2.665	2.315	2.475	.575	-	.270	20S + 6ACP	1-6450820-4
	.300	.300	.225	2.840	2.490	2.650	1.600	.850	.320	3ACP + 24S + 3ACP	1-6450820-3
	.250	.250	.250	4.040	3.690	3.850	2.100	1.425	.345	6P + 24S + 6P	1-6450820-1
63	.250	.250	.225	6.240	5.890	6.050	3.850	1.950	.320	8P + 72S + 8P	6450820-9
	.250	.250	.225	6.240	5.890	6.050	3.850	1.950	.320	8P + 72S + 8P	6450820-8
	8	8	.250	5.390	5.040	5.200	8	8	.345	14P + 40S	6450820-7
	8	8	.250	5.390	5.040	5.200	8	8	.345	14P + 40S	6450820-6
	.250	.250	.250	2.640	2.290	2.450	1.200	.925	.345	4P + 8S + 4P	6450820-5
	.250	.250	.250	3.640	3.290	3.450	1.700	1.425	.345	6P + 8S + 6P	6450820-4
	.250	.250	.275	2.790	2.440	2.600	1.550	.675	.370	3P + 32S + 3P	6450820-3
	-	-	.250	1.540	1.190	1.350	.850	.175	.345	1P + 24S + 1P	6450820-2
	-	-	.275	1.715	1.365	1.525	.950	.225	.370	1P + 24S + 1P	6450820-1
	DIM S	DIM T	DIM TT	DIM L	DIM U	DIM D	DIM R	DIM W	DIM K	DESCRIPTION	PART NUMBER

THIS DRAWING IS A CONTROLLED DOCUMENT. DWN: D. ZHU 15NOV2007
 CHK: S. ZHAO 15NOV2007

DIMENSIONS: INCHES. TOLERANCES UNLESS OTHERWISE SPECIFIED:
 0 PLC ±.01
 1 PLC ±.01
 2 PLC ±.01
 3 PLC ±.005
 4 PLC ±.005
 ANGLES ±.0020

MATERIAL: FINISH:

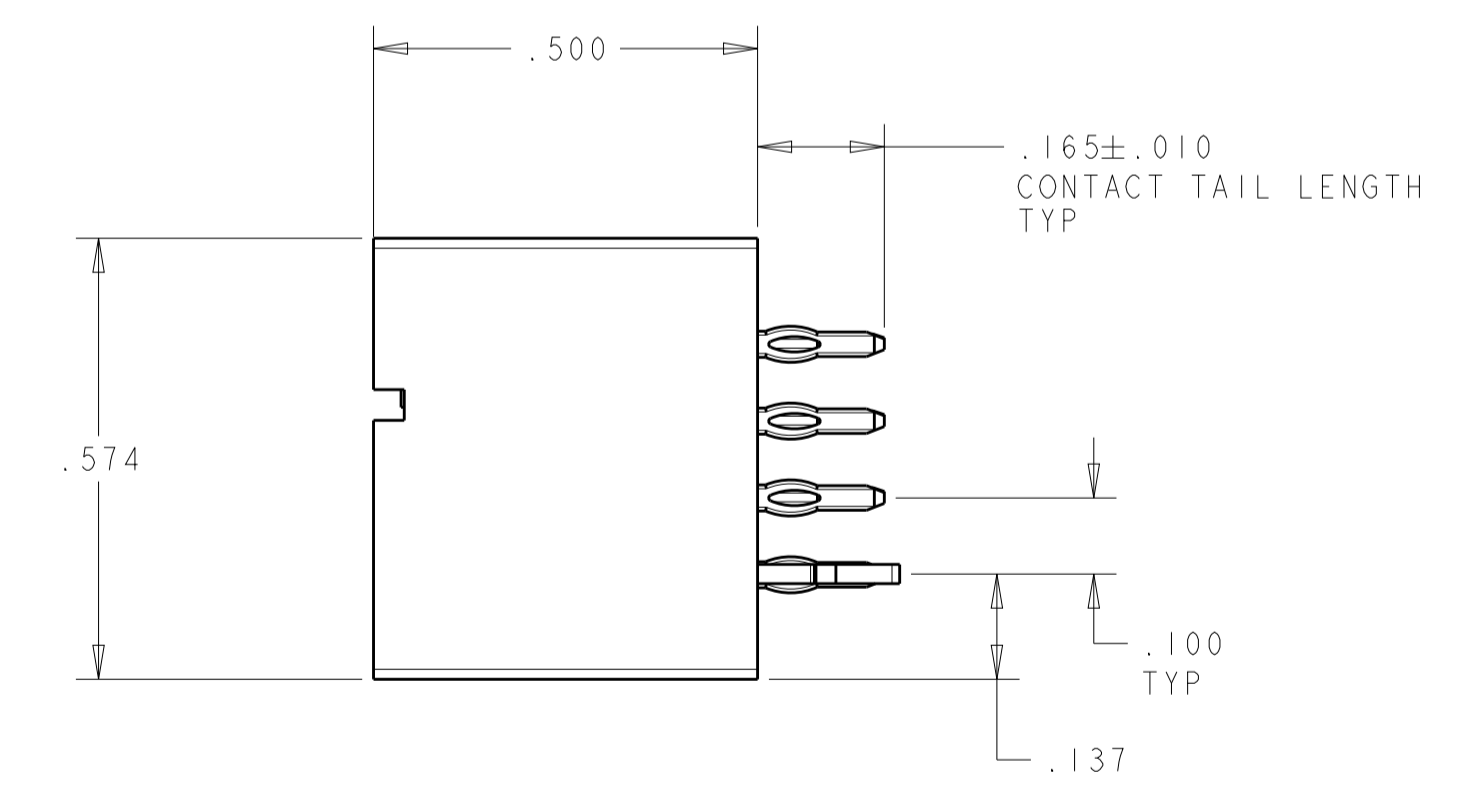
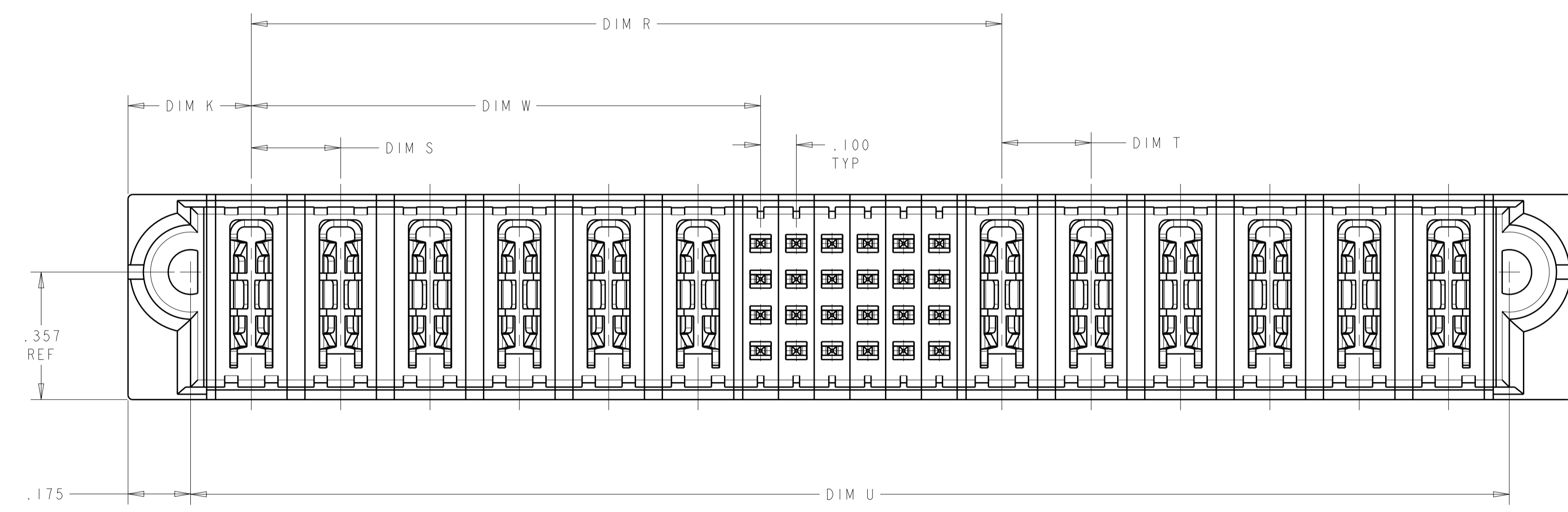
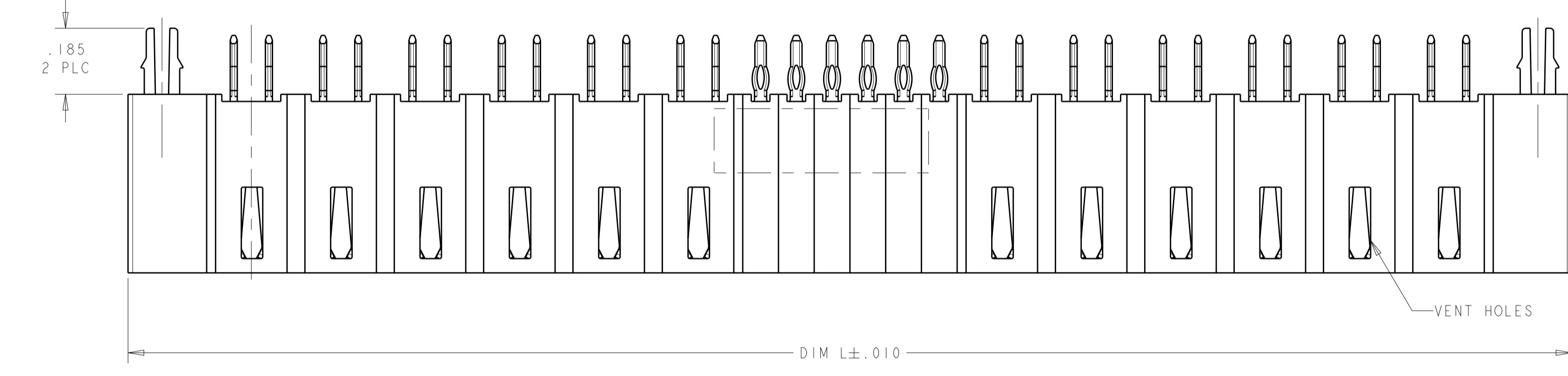
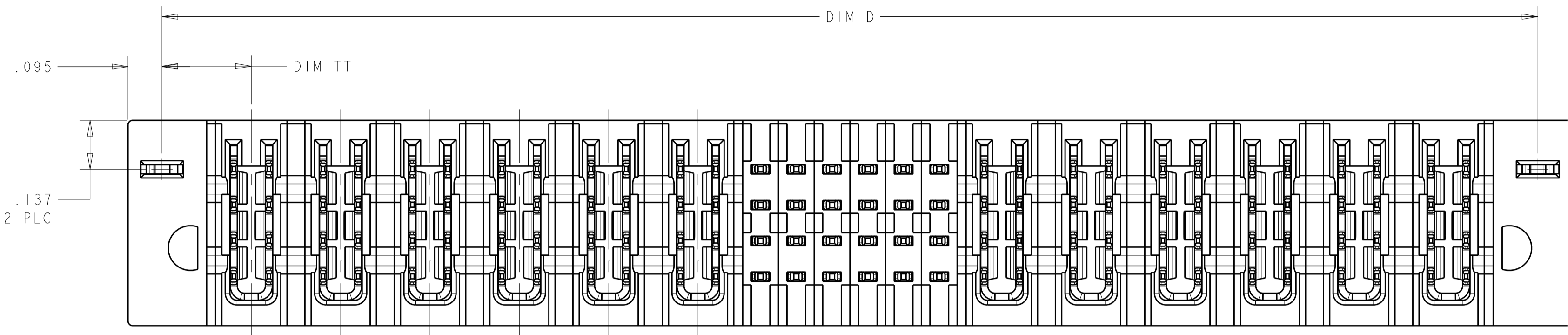
Customer Drawing

APVD: S. ZHAO
 PRODUCT SPEC: 108-2292
 APPLICATION SPEC: 114-13251
 WEIGHT: -

NAME: VERTICAL HEADER ASSEMBLY W/ SHORT END MODULES, PRESS FIT MULTI-BEAM XLE
 SIZE: A100779
 CAGE CODE: 6450820
 DRAWING NO: 114-13251
 SCALE: - SHEET 1 OF 20 REV: G8

TE Connectivity

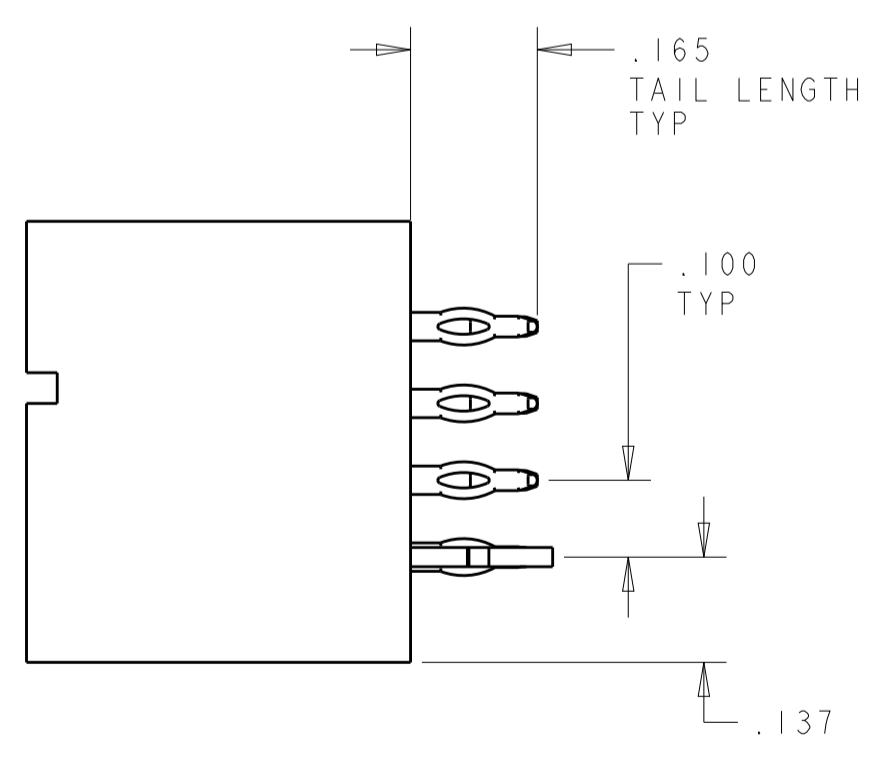
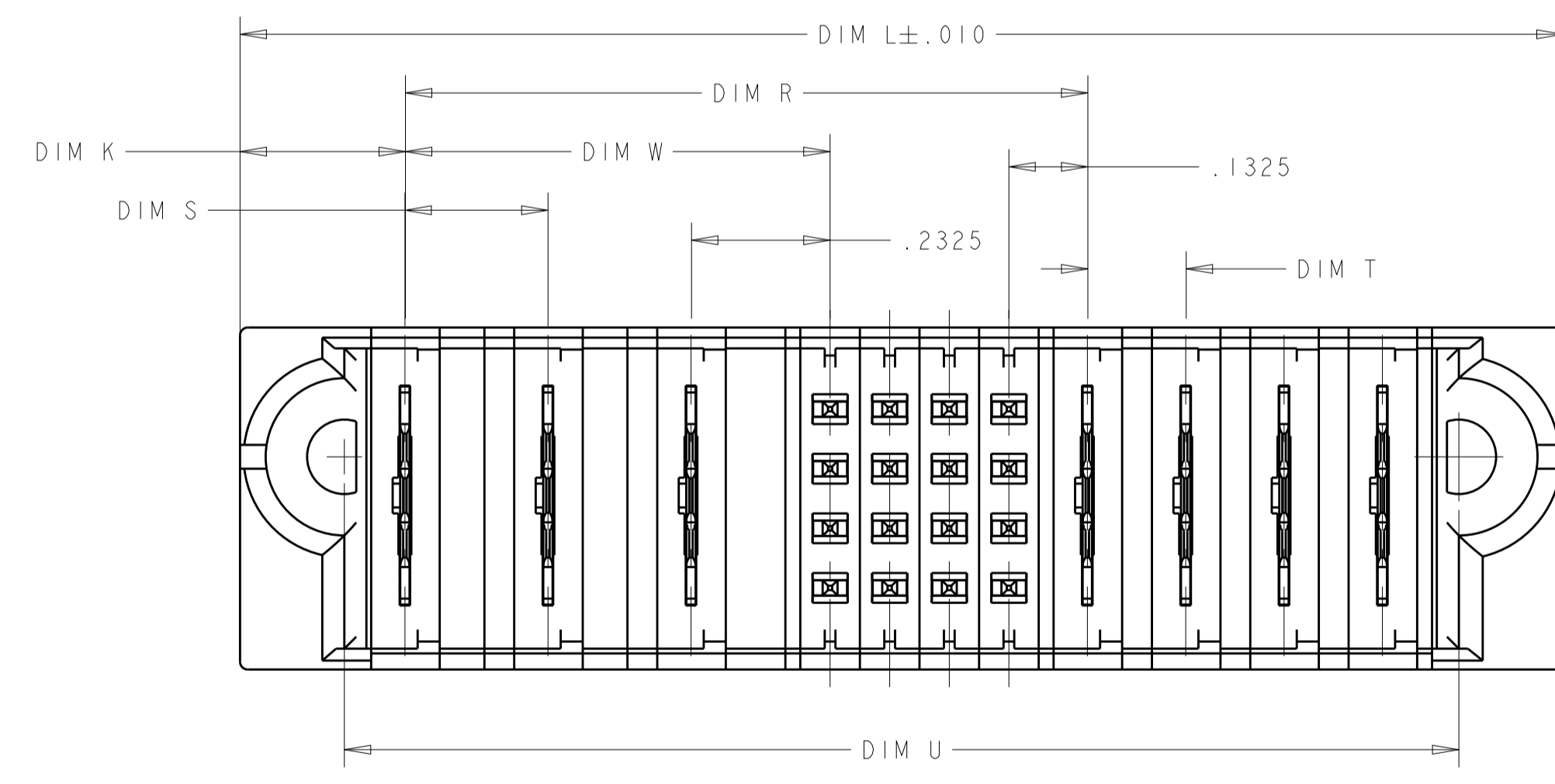
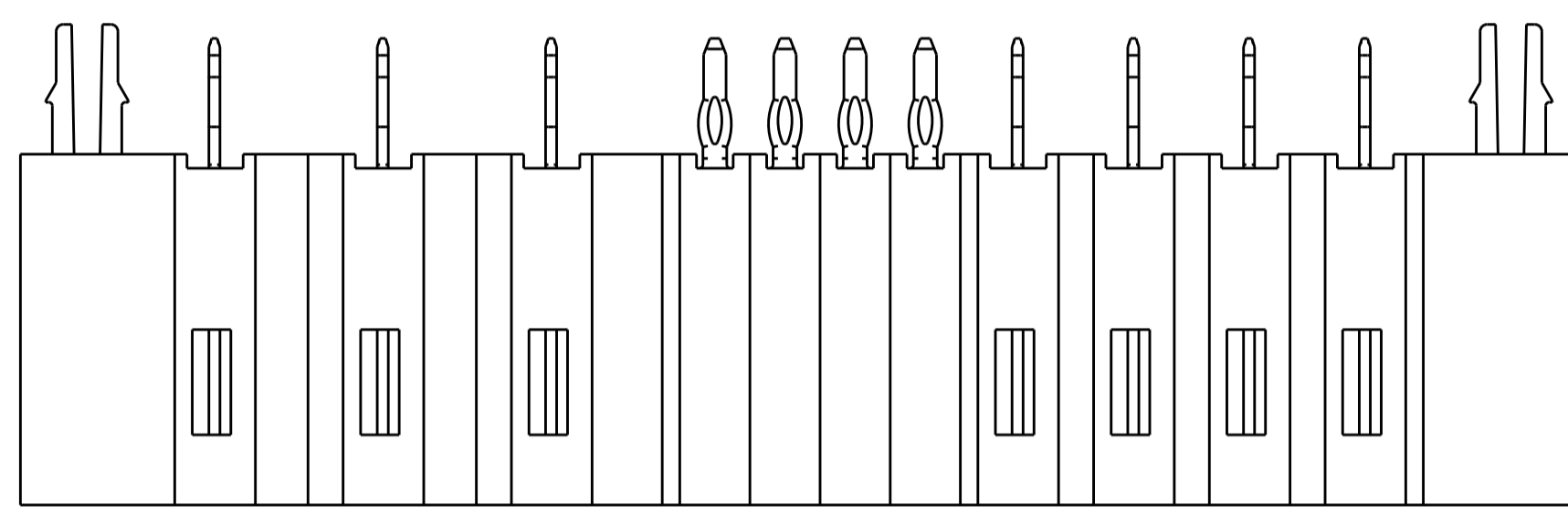
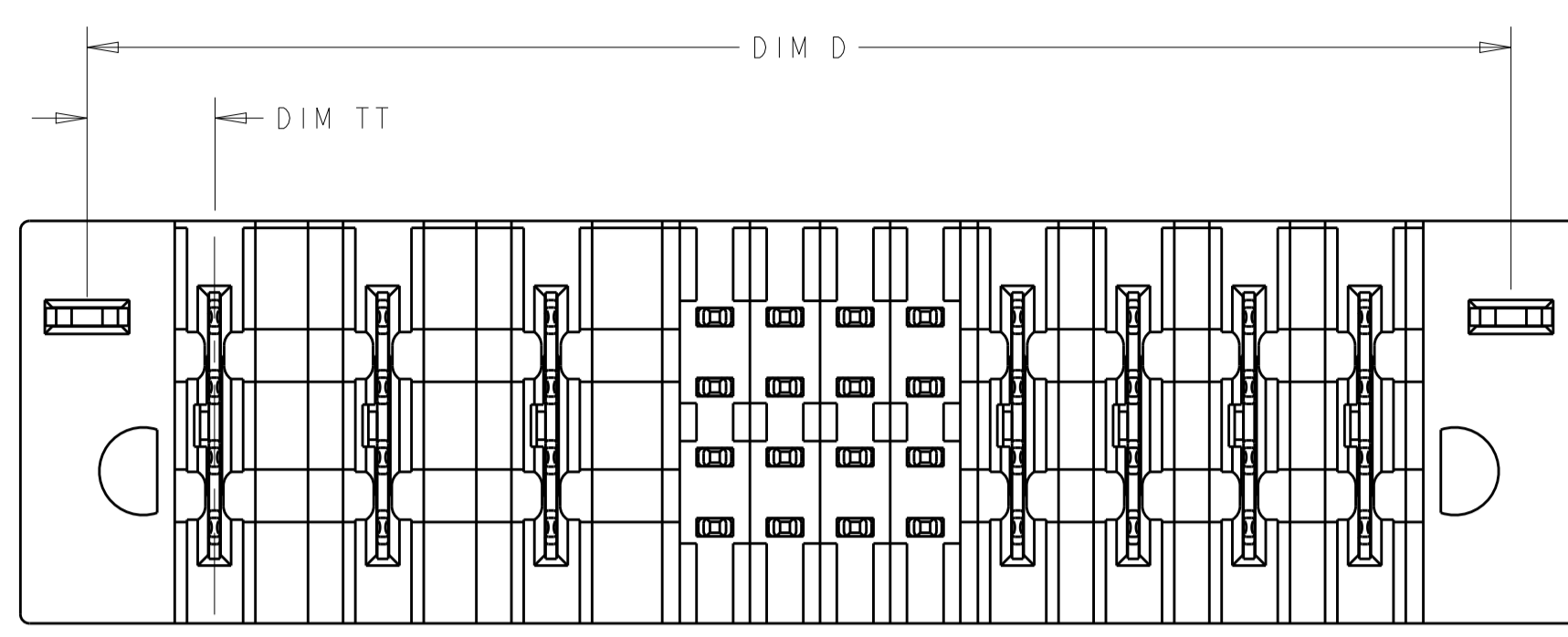
LOC		DIST		REVISIONS			
ES	00	P	LTN	DESCRIPTION	DATE	DMN	APVD
		-		SEE SHEET 1	-	-	-




Ⓢ FOR THE CONFIGURATION WITH VENT PART NO. 1-6450820-1

THIS DRAWING IS A CONTROLLED DOCUMENT.		DMN D. ZHU 15NOV2007	TE Connectivity
DIMENSIONS: INCHES		CHK S. ZHAO 15NOV2007	
		TOLERANCES UNLESS OTHERWISE SPECIFIED:	NAME VERTICAL HEADER ASSEMBLY W/ SHORT END MODULES, PRESS FIT MULTI-BEAM XLE
0 PLC ± 1 PLC ±.01 2 PLC ±.01 3 PLC ±.005 4 PLC ±.0020 ANGLES ±.7°		APVD S. ZHAO	PRODUCT SPEC 108-2292
MATERIAL		APPLICATION SPEC 114-13251	SIZE A100779
FINISH		WEIGHT	CAGE CODE DRAWING NO C=6450820
Customer Drawing		SCALE	RESTRICTED TO SHEET 2 OF 20 REV G8

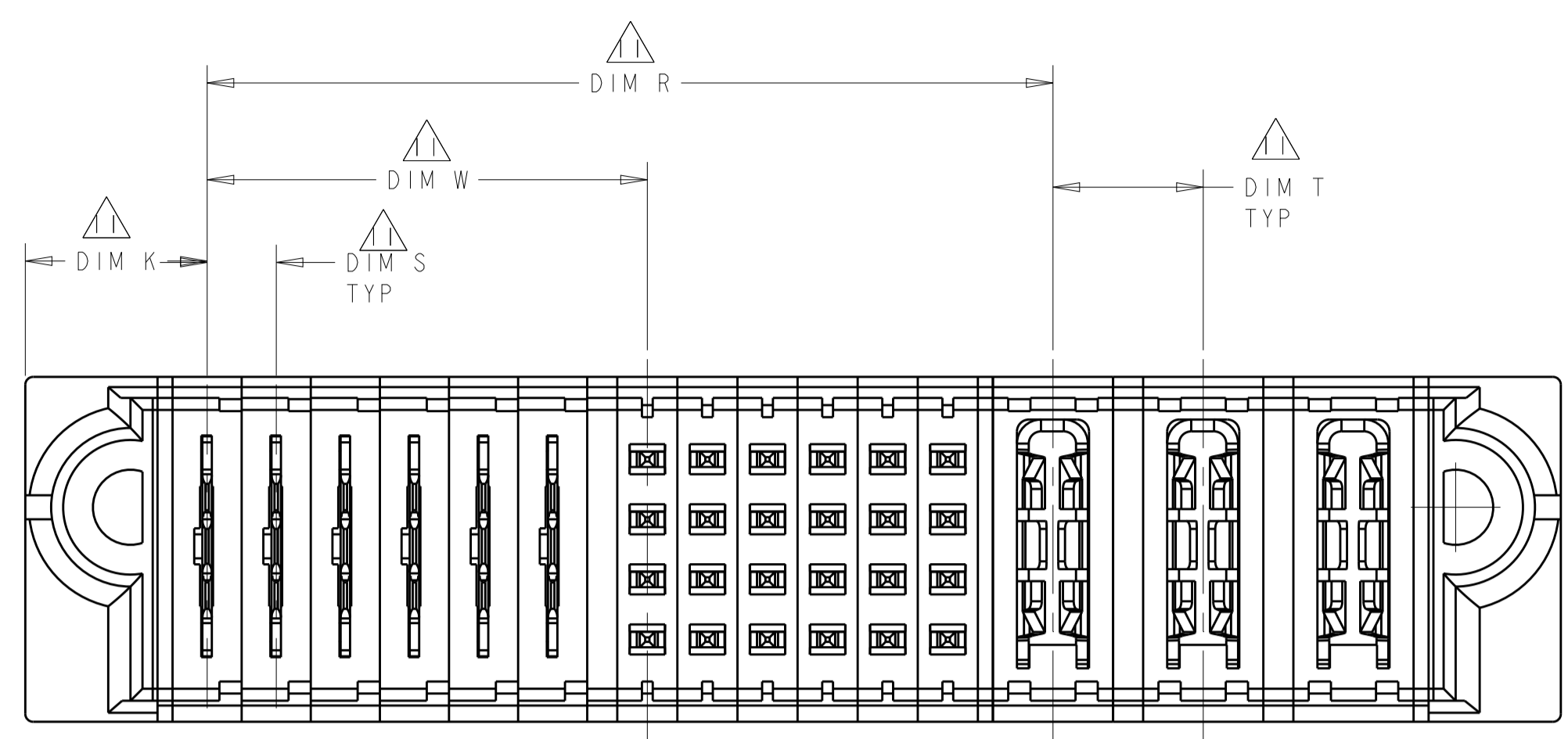
LOC	DIST	REVISIONS					
		P	LTN	DESCRIPTION	DATE	DWN	APVD
ES	00	-	-	SEE SHEET 1	-	-	-




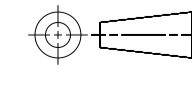
THIS DRAWING IS A CONTROLLED DOCUMENT.		DWN D. ZHU	15NOV2007	 TE Connectivity
DIMENSIONS: INCHES		CHK S. ZHAO	15NOV2007	
TOLERANCES UNLESS OTHERWISE SPECIFIED:		APVD S. ZHAO	-	NAME VERTICAL HEADER ASSEMBLY W/ SHORT END MODULES, PRESS FIT MULTI-BEAM XLE
0 PLC ±.01		PRODUCT SPEC	108-2292	SIZE A100779
1 PLC ±.01		APPLICATION SPEC	114-13251	CAGE CODE C=6450820
2 PLC ±.005		RESTRICTED TO	-	SCALE -
3 PLC ±.0020		Customer Drawing	Customer Drawing	SHEET 3 OF 20
ANGLES		WEIGHT	-	REV G8
FINISH		SCALE	-	

THIS DRAWING IS UNPUBLISHED. RELEASED FOR PUBLICATION 20
COPYRIGHT 20 BY - ALL RIGHTS RESERVED.

LOC		DIST		REVISIONS			
ES	00	P	LTH	DESCRIPTION	DATE	DMN	APVD
-	-	-	-	SEE SHEET 1	-	-	-



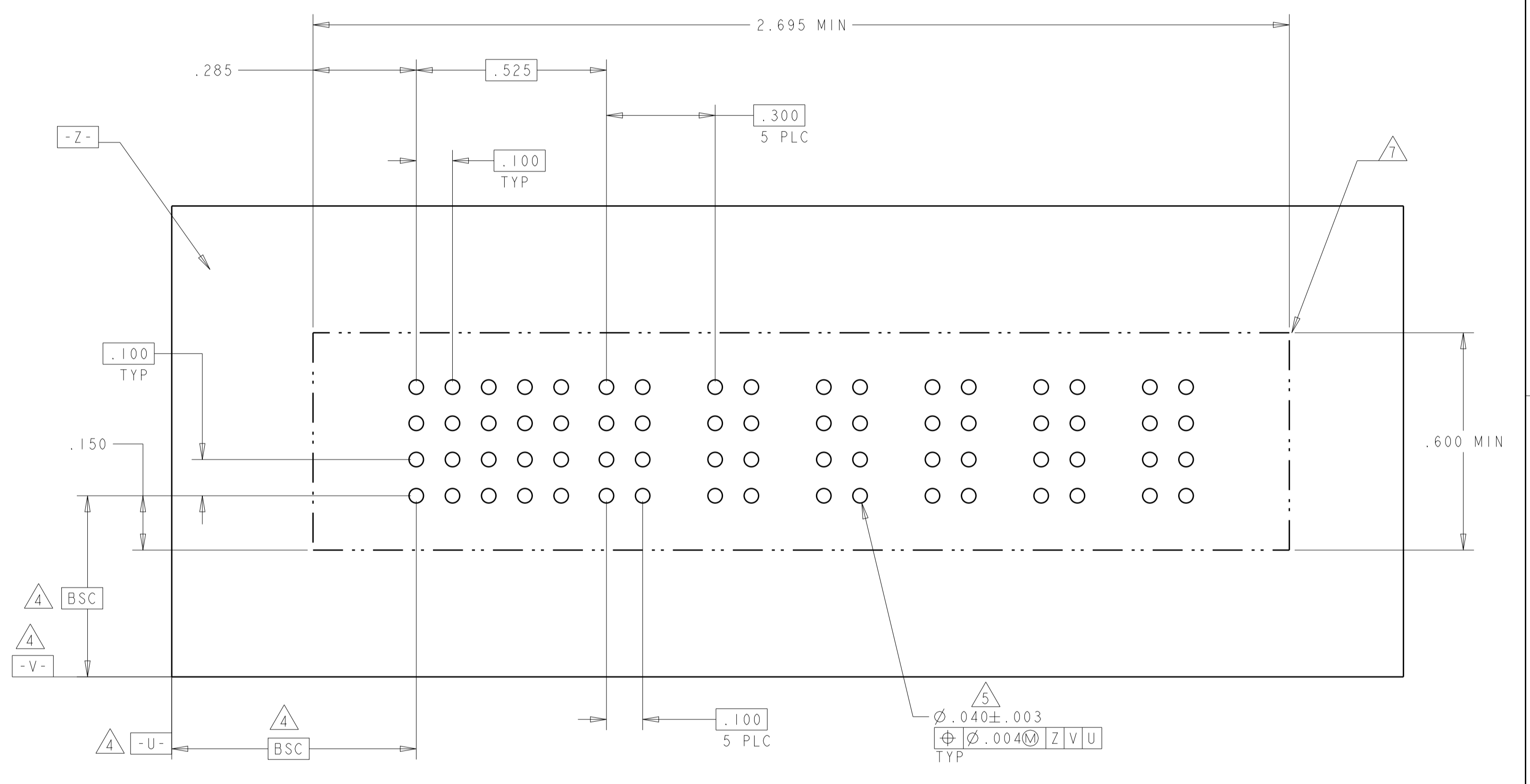
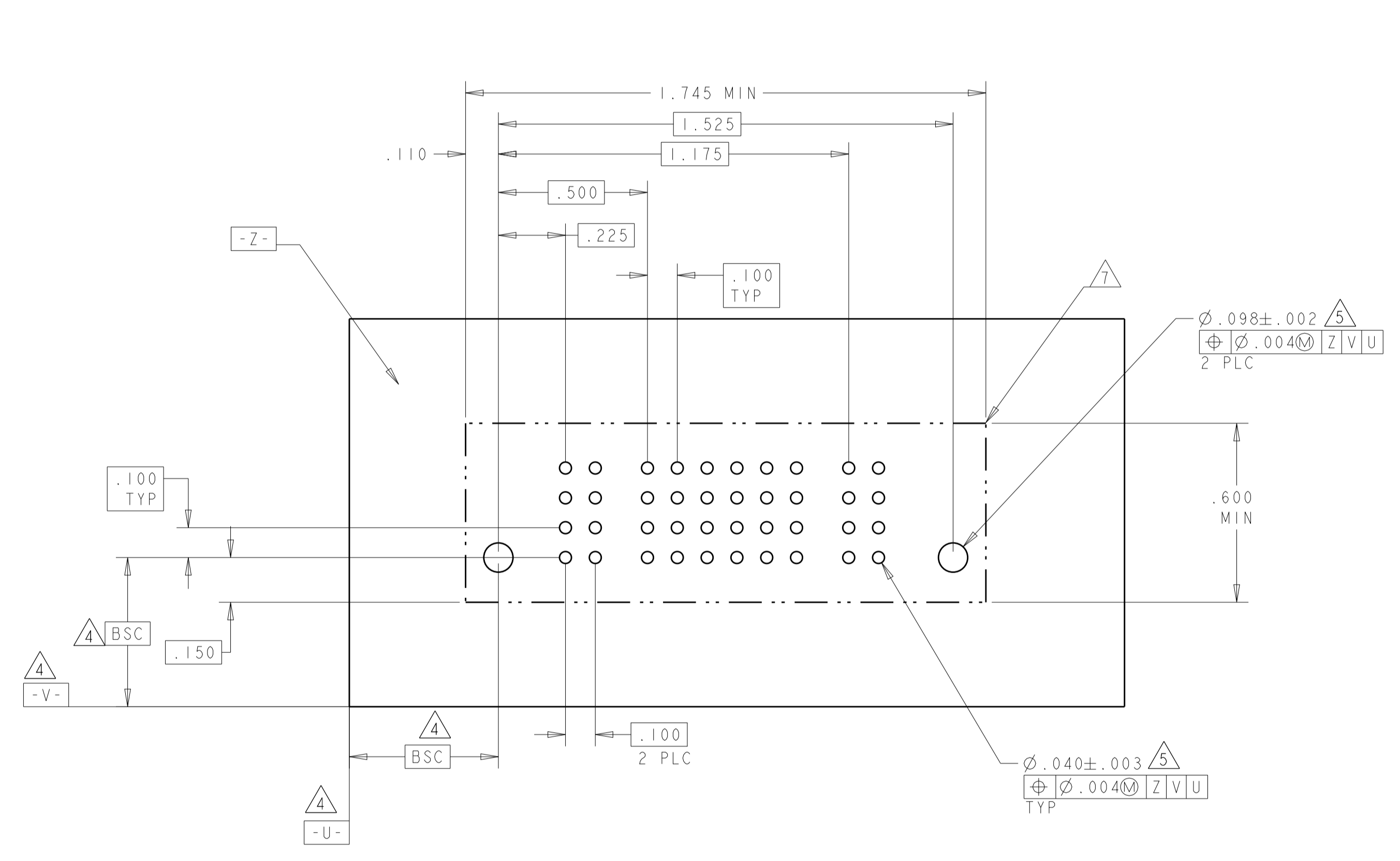
FOR THE CONFIGURATION LP/S/P WITH VENT
OTHER DIMSENSIONS PLEASE REFER TO SHEET 2

THIS DRAWING IS A CONTROLLED DOCUMENT.		DMN D. ZHU 15NOV2007	 TE Connectivity
DIMENSIONS: INCHES		CHK S. ZHAO 15NOV2007	
TOLERANCES UNLESS OTHERWISE SPECIFIED: 0 PLC ±. 1 PLC ±.01 2 PLC ±.01 3 PLC ±.005 4 PLC ±.0020 ANGLES 114-132.51°		APVD S. ZHAO	NAME VERTICAL HEADER ASSEMBLY W/ SHORT END MODULES, PRESS FIT MULTI-BEAM XLE
		PRODUCT SPEC 108-2292	SIZE A100779
MATERIAL		APPLICATION SPEC 114-13251	DRAWING NO C=6450820
FINISH		WEIGHT	RESTRICTED TO
Customer Drawing		SCALE	SHEET 4 OF 20 REV G8

LOC		DIST		REVISIONS			
ES	00	P	LTN	DESCRIPTION	DATE	DMN	APVD
		-		SEE SHEET 1			

PART NUMBER	ROWS	POWER	SIGNAL						POWER		
			P1	1	2	3	4	5		6	P2
6450820-1	D	VM	HD	EV	EV	EV	EV	EV	EV	VM	HD
	C			EV	EV	EV	EV	EV	EV		
	B			EV	EV	EV	ES	EV	EV		
	A			EV	EV	EV	EV	EV	EV		
IP + 24S + IP											

PART NUMBER	ROWS	POWER	SIGNAL					POWER									
			1	2	3	4	5	P1	P2	P3	P4	P5	P6				
I-6450820-4	D	VM	HD	EV	EV	EV	EV	EV	EV	VM	VM	VM	VM	VM	VM	VM	HD
	C			EV	EV	EV	EV	EV	VM	VM	VM	VM	VM				
	B			EV	EV	EV	EV	EV	VM	VM	VM	VM	VM				
	A			ES	EV	EV	EV	EV	VM	VM	VM	VM	VM				
20S + 6ACP																	



.165"	LOW POWER CONTACT MFBL	LZF
.165"	LOW POWER CONTACT	LZ
.165"	SIGNAL CONTACT MFBL	EF
-	HOLD DOWN	HD
.165"	SIGNAL CONTACT MLBF	ES
.165"	SIGNAL CONTACT STD	EV
.165"	POWER CONTACT	VM
TAIL LENGTH	DESCRIPTION	CODE

THIS DRAWING IS A CONTROLLED DOCUMENT.

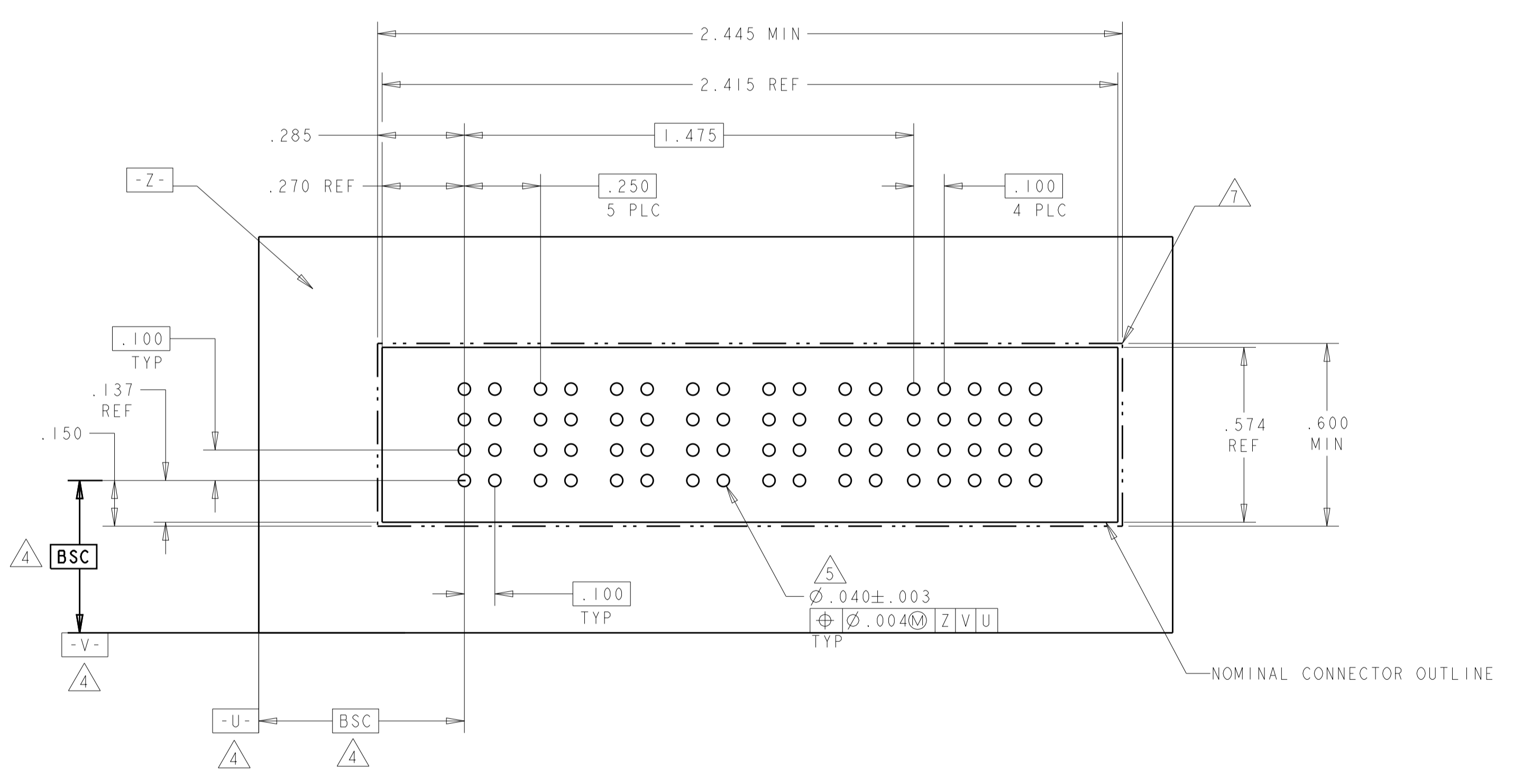
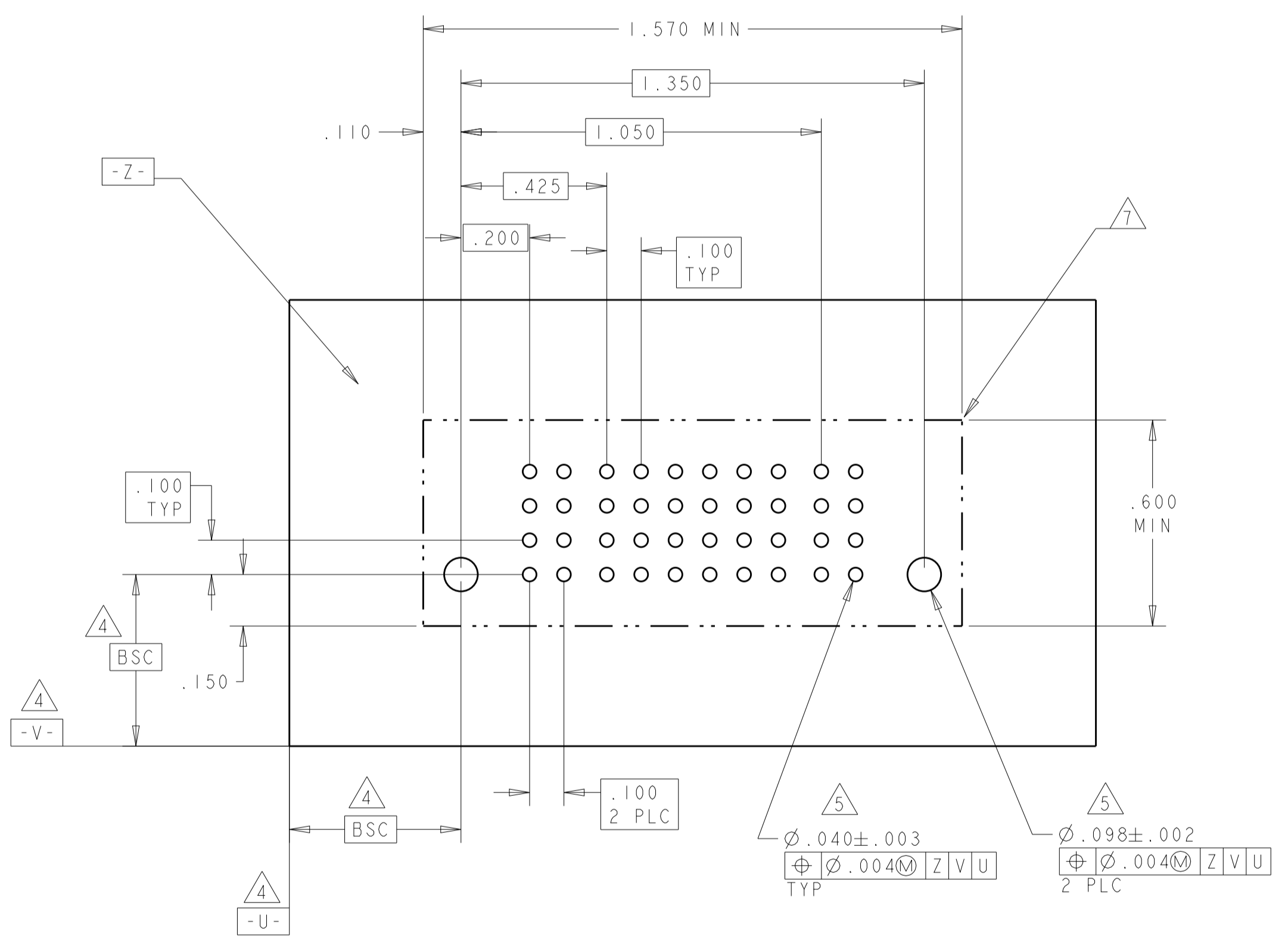
DIMENSIONS:	TOLERANCES UNLESS OTHERWISE SPECIFIED:	DMN	15NOV2007
INCHES	0 PLC ±.01	CHK	D. ZHU
	1 PLC ±.01	CHK	S. ZHAO
	2 PLC ±.01	APVD	S. ZHAO
	3 PLC ±.005	PRODUCT SPEC	108-2292
	4 PLC ±.0020	APPLICATION SPEC	114-13251
	ANGLES ±.020	WEIGHT	-
MATERIAL	FINISH	SIZE	CAGE CODE DRAWING NO
-	-	A100779	C=6450820
Customer Drawing		SCALE	SHEET 5 OF 20

TE Connectivity
 VERTICAL HEADER ASSEMBLY W/ SHORT END MODULES, PRESS FIT MULTI-BEAM XLE
 REV G8

LOC	DIST	REVISIONS			
P	LTN	DESCRIPTION	DATE	DMN	APVD
ES	00	SEE SHEET 1	-	-	-

PART NUMBER	ROWS	POWER	SIGNAL						POWER		
			P1	1	2	3	4	5		6	P2
6450820-2	D C B A	VM	HD	EV	EV	EV	EV	EV	EV	VM	HD
				EV	EV	EV	EV	EV	EV		
				EV	EV	EV	ES	EV	EV		
				EV	EV	EV	EV	EV	EV		
IP + 24S + IP											

PART NUMBER	ROWS	POWER						SIGNAL					
		P1	P2	P3	P4	P5	P6	1	2	3	4	5	
1-6450820-5	D C B A	VM	VM	VM	VM	VM	VM	EV	EV	EV	EV	EV	VM
								EV	EV	EV	EV	EV	
								EV	ES	EV	EV	EV	
								EV	EV	EV	EV	EV	
6P + 20S													

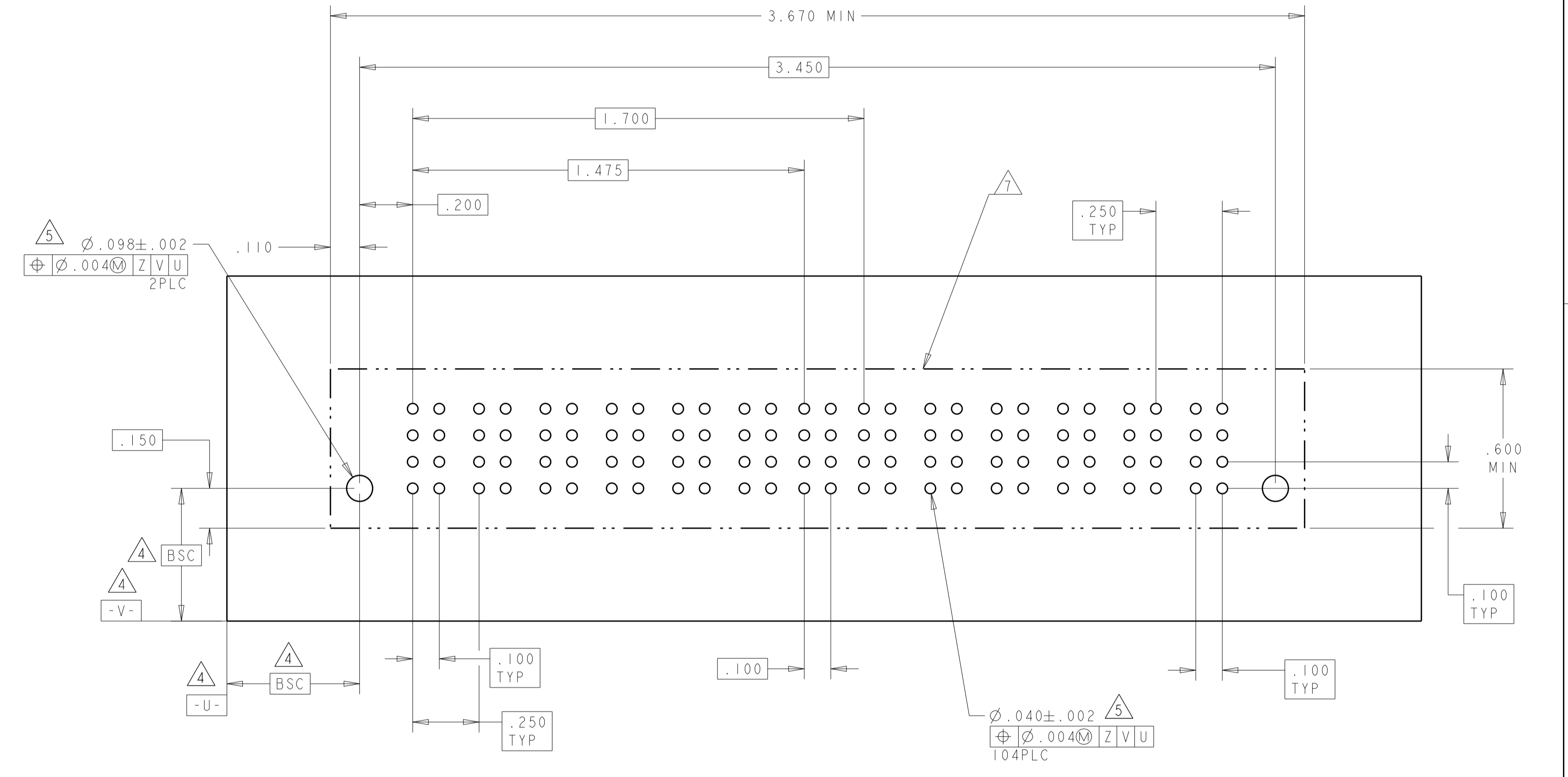
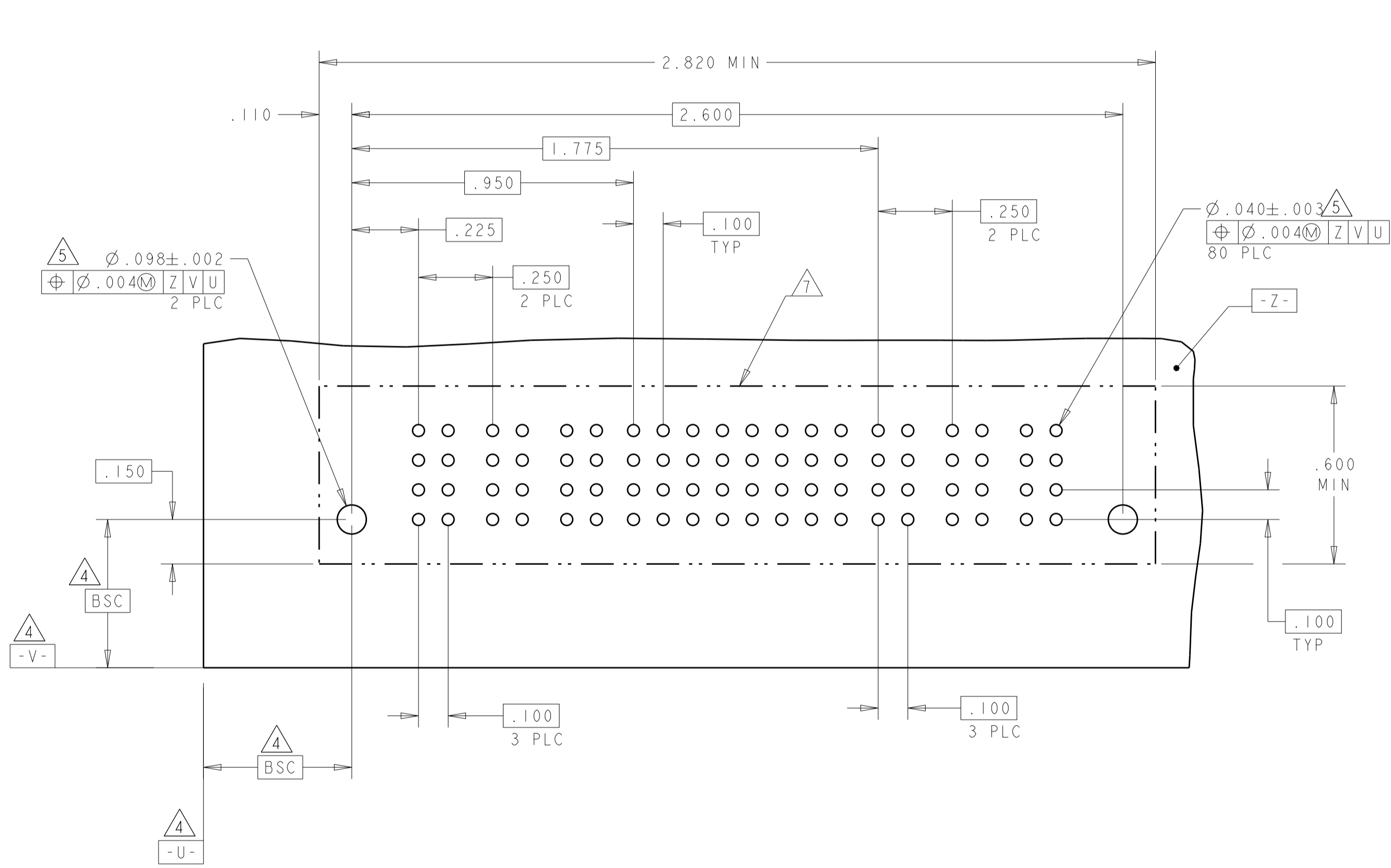


THIS DRAWING IS A CONTROLLED DOCUMENT.		DMN: D. ZHU 15NOV2007		TE Connectivity
DIMENSIONS: INCHES		CHK: S. ZHAO 15NOV2007		NAME: VERTICAL HEADER ASSEMBLY W/ SHORT END MODULES, PRESS FIT MULTI-BEAM XLE
TOLERANCES UNLESS OTHERWISE SPECIFIED:		APVD: S. ZHAO	PRODUCT SPEC: 108-2292	
0 PLC ±.01		APPLICATION SPEC: 114-13251	SIZE: A100779	
1 PLC ±.01		WEIGHT: -	CAGE CODE: 6450820	
2 PLC ±.01		FINISH: -	SCALE: -	
3 PLC ±.005		RESTRICTED TO: -	SHEET 6 OF 20	
4 PLC ±.002		Customer Drawing	REV: G8	
ANGLES ±.020				

LOC		DIST		REVISIONS			
ES	00	P	LTN	DESCRIPTION	DATE	DMN	APVD
-	-	-	-	SEE SHEET 1	-	-	-

PART NUMBER	ROWS	POWER			SIGNAL								POWER				
		P1	P2	P3	1	2	3	4	5	6	7	8	P4	P5	P6		
6450820-3	D C B A	VM	VM	VM	EV	EV	EV	EV	EV	EV	EV	EV	EV	EV	EV		
					EV	EV	EV	EV	EV	EV	EV	EV	EV	EV	EV	EV	
					EV	EV	EV	EV	EV	EV	EV	EV	EV	EV	EV	EV	EV
					EV	EV	EV	EV	EV	EV	EV	EV	EV	EV	EV	EV	EV
3P + 32S + 3P																	

PART NUMBER	ROWS	POWER						SIGNAL		POWER					
		P1	P2	P3	P4	P5	P6	1	2	P7	P8	P9	P10	P11	P12
6450820-4	D C B A	VM	VM	VM	VM	VM	VM	EV	EV	VM	VM	VM	VM	VM	VM
								EV	EV						
								EV	EV						
								EV	EV						
6P + 8S + 6P															



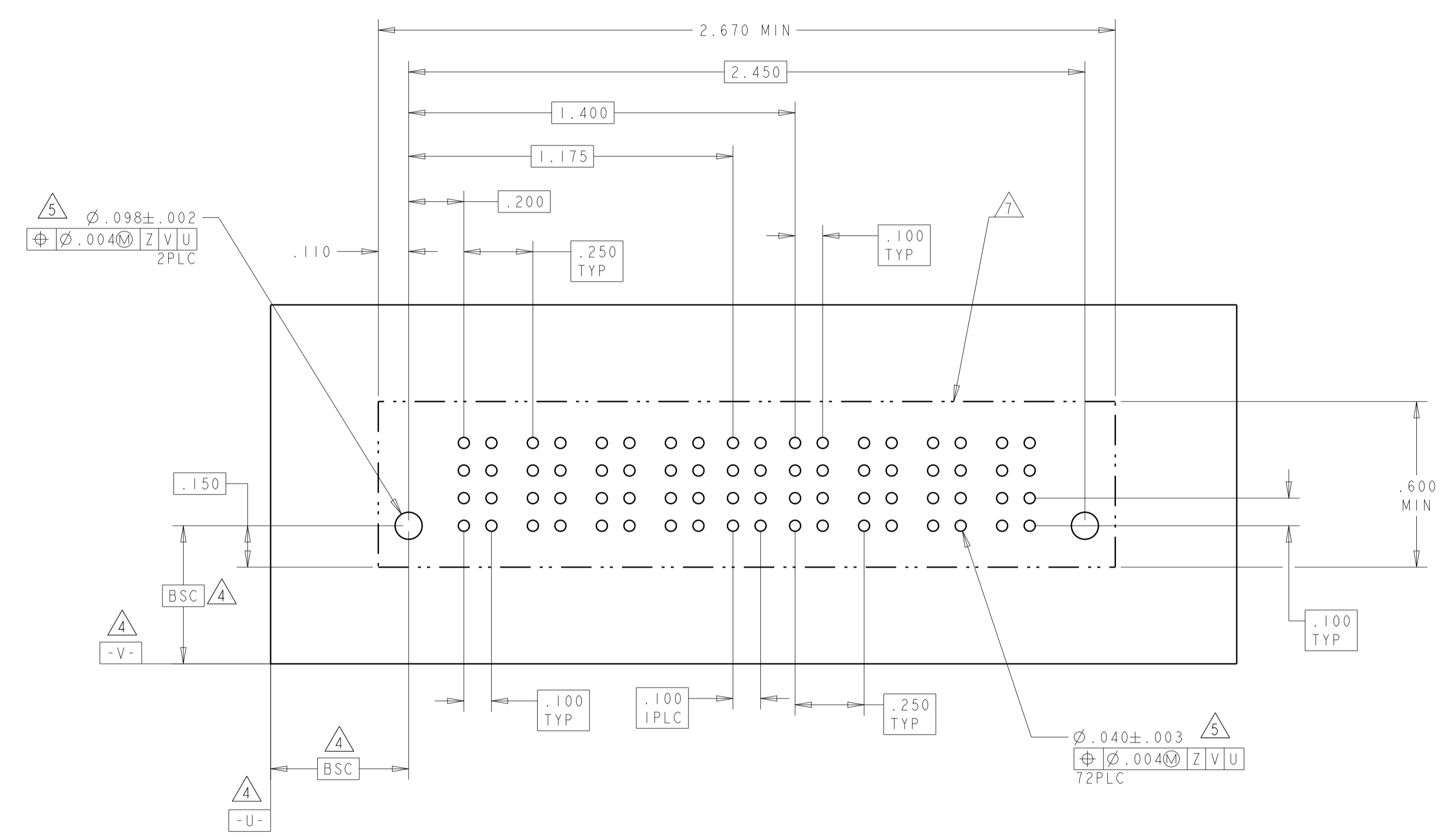
THIS DRAWING IS A CONTROLLED DOCUMENT.

DIMENSIONS: INCHES	TOLERANCES UNLESS OTHERWISE SPECIFIED: 0 PLC ±. 1 PLC ±.01 2 PLC ±.01 3 PLC ±.005 4 PLC ±.0020 ANGLES ±.02	DMN D.ZHU 15NOV2007 CHK S.ZHAO 15NOV2007 APVD S.ZHAO PRODUCT SPEC 108-2292 APPLICATION SPEC 114-13251 WEIGHT Customer Drawing	NAME VERTICAL HEADER ASSEMBLY W/ SHORT END MODULES, PRESS FIT MULTI-BEAM XLE SIZE CAGE CODE DRAWING NO. A100779 C=6450820 RESTRICTED TO
-----------------------	--	---	---

SCALE - SHEET 7 OF 20 REV G8

LOC	DIST	REVISIONS			
P	LTN	DESCRIPTION	DATE	DMN	APVD
-	-	SEE SHEET 1	-	-	-

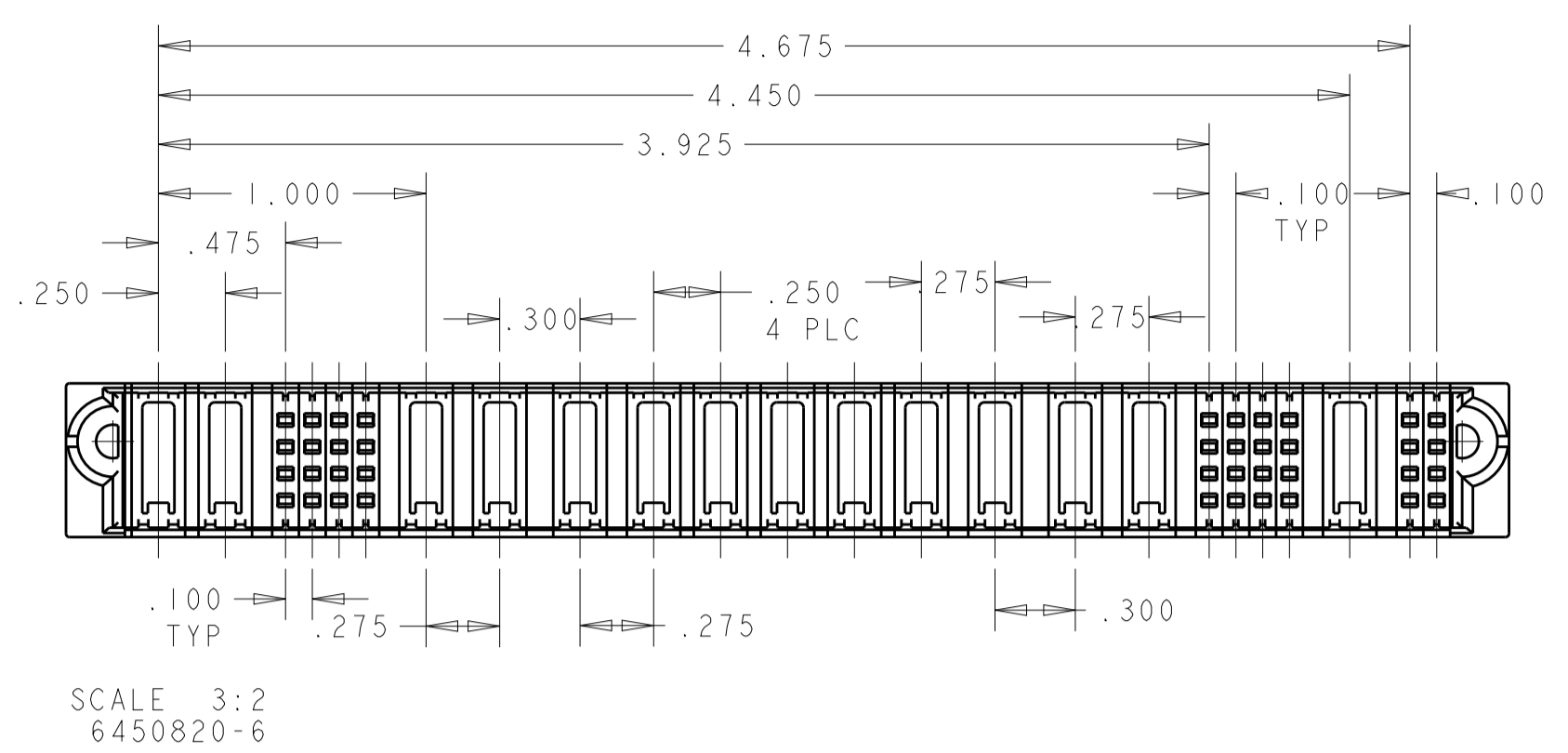
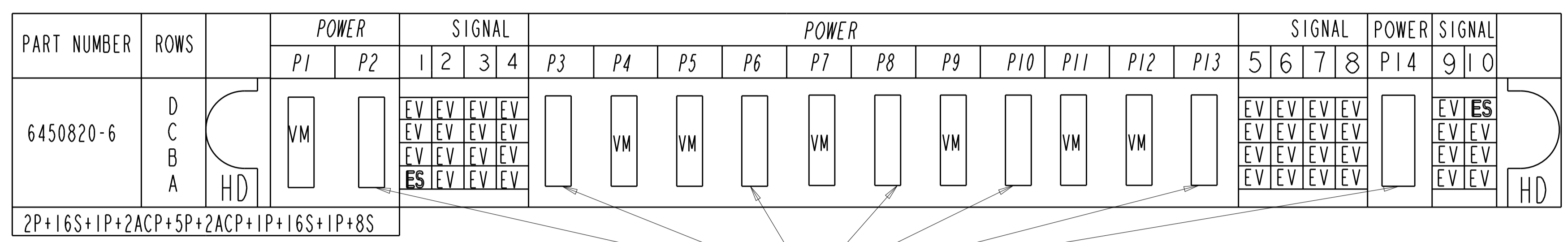
PART NUMBER	ROWS	HD	POWER				SIGNAL		POWER				HD
			P1	P2	P3	P4	1	2	P5	P6	P7	P8	
6450820-5	D C B A	HD	VM	VM	VM	VM	EV	EV	VM	VM	VM	VM	HD
4P + 8S + 4P													



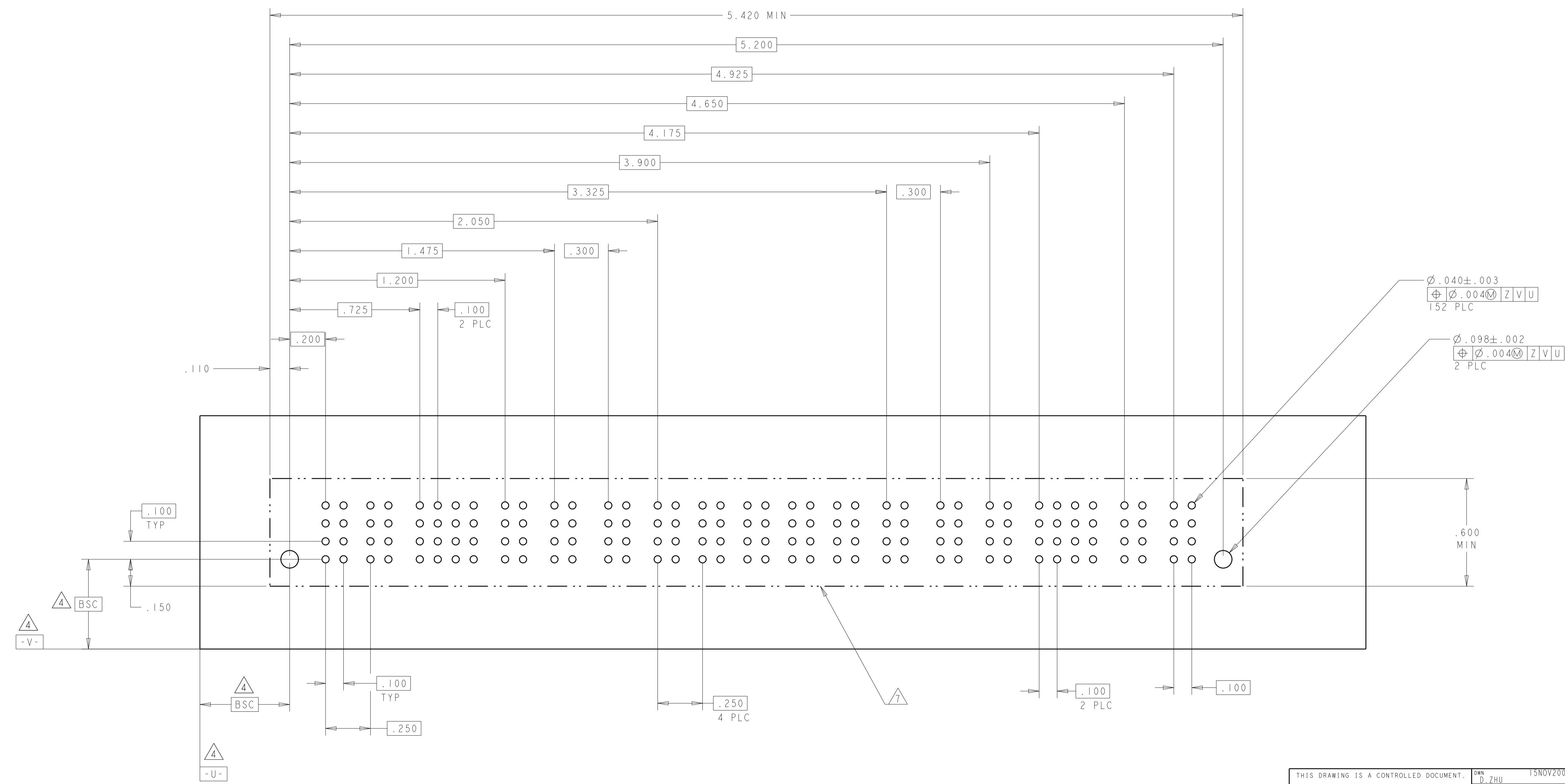
THIS DRAWING IS A CONTROLLED DOCUMENT.		DMN D. ZHU 15NOV2007	TE Connectivity
DIMENSIONS: INCHES		CHK S. ZHAO 15NOV2007	
TOLERANCES UNLESS OTHERWISE SPECIFIED: 0 PLC ±. 1 PLC ±.01 2 PLC ±.01 3 PLC ±.005 4 PLC ±.0020 ANGLES ±2°		APVD S. ZHAO	NAME VERTICAL HEADER ASSEMBLY W/ SHORT END MODULES, PRESS FIT MULTI-BEAM XLE
MATERIAL		PRODUCT SPEC 108-2292	SIZE 114-13251
FINISH		APPLICATION SPEC 114-13251	RESTRICTED TO
Customer Drawing		WEIGHT	A100779C=6450820
SCALE		SHEET 8 OF 20	REV G8

LOC	DIST	REV	DATE	APPD
ES	00			

REVISIONS		DATE	OWN	APVD
1	SEE SHEET 1			



NO CONTACTS LOADED




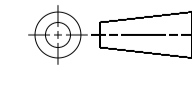
THIS DRAWING IS A CONTROLLED DOCUMENT.		OWN D. ZHU CHK S. ZHAO	15NOV2007 15NOV2007		TE Connectivity
DIMENSIONS: INCHES	TOLERANCES UNLESS OTHERWISE SPECIFIED:	APVD S. ZHAO	NAME VERTICAL HEADER ASSEMBLY W/ SHORT END MODULES, PRESS FIT MULTI-BEAM XLE		SIZE A100779
MATERIAL	FINISH	PRODUCT SPEC 108-2292	APPLICATION SPEC 114-13251	RESTRICTED TO	
Customer Drawing			WEIGHT	SCALE	SHEET 9 OF 20

LOC	DIST	REVISIONS			
P	LTN	DESCRIPTION	DATE	DMN	APVD
ES	00	- SEE SHEET 1	-	-	-

PART NUMBER	ROWS	HD	POWER		SIGNAL				POWER							SIGNAL				POWER	SIGNAL			HD		
			P1	P2	1	2	3	4	P3	P4	P5	P6	P7	P8	P9	P10	P11	P12	P13	5	6	7	8		P14	9
6450820-7	D C B A	HD	VM		EV	EV	EV	EV		VM	VM		VM		VM		VM	VM		EV	EV	EV	EV		EV	ES
2P+16S+1P+2ACP+5P+2ACP+1P+16S+1P+8S					EV	EV	EV	EV												EV	EV	EV	EV		EV	EF
					EV	EV	EV	EV												EV	EV	EV	EV		EV	EV
					ES	EV	EV	EV												EV	EV	EV	EV		EV	EV

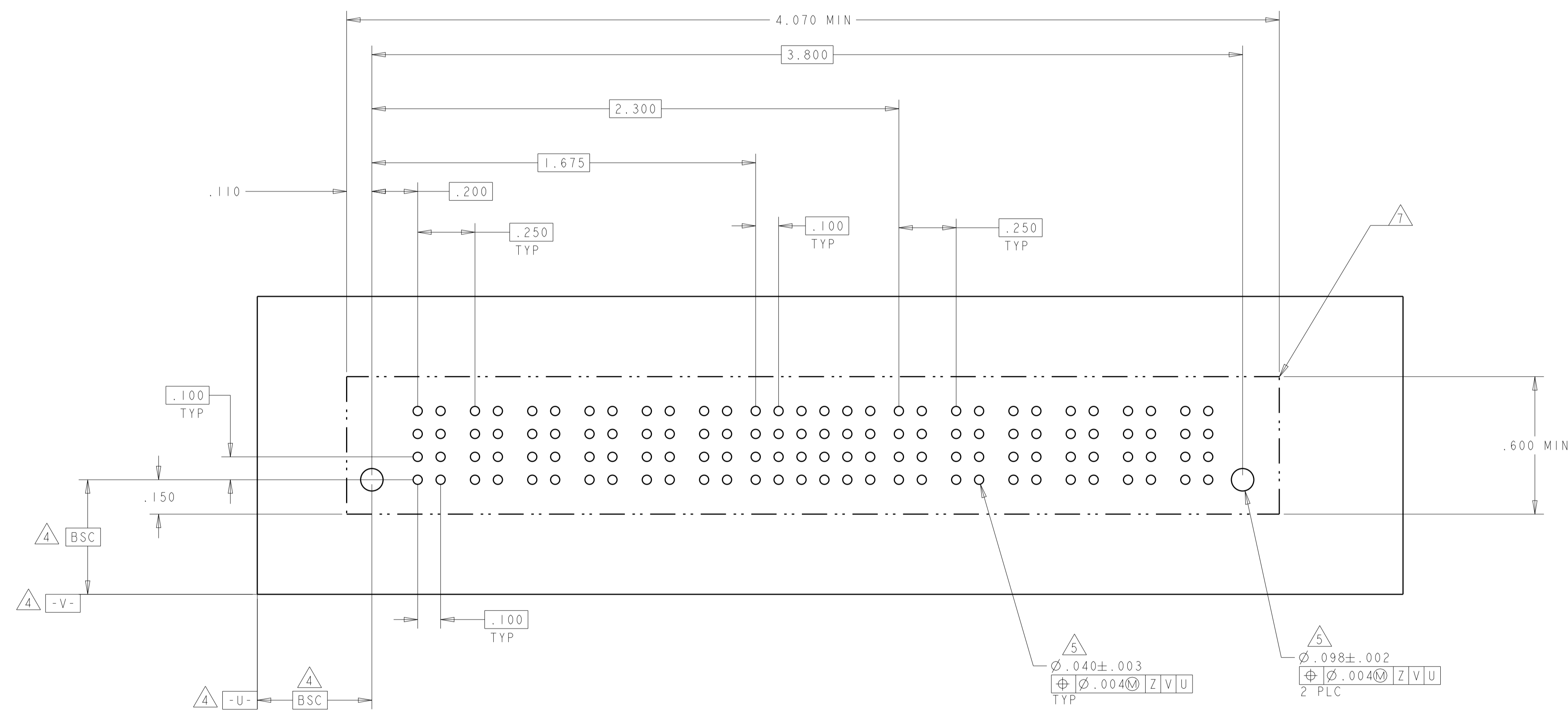
NO CONTACTS LOADED

THE PCB LAYOUT IS THE SAME AS 6450820-6.
 PLEASE SEE 6450820-6 FOR DETAIL DIM.

THIS DRAWING IS A CONTROLLED DOCUMENT.		DMN D. ZHU CHK S. ZHAO APVD S. ZHAO	15NOV2007 15NOV2007	 TE Connectivity
DIMENSIONS: INCHES	TOLERANCES UNLESS OTHERWISE SPECIFIED:	NAME VERTICAL HEADER ASSEMBLY W/ SHORT END MODULES, PRESS FIT MULTI-BEAM XLE		
	0 PLC ±. 1 PLC ±. 2 PLC ±.01 3 PLC ±.005 4 PLC ±.0020 ANGLES ±.2°	PRODUCT SPEC 108-2292	APPLICATION SPEC 114-13251	SIZE A100779
MATERIAL	FINISH	WEIGHT	Customer Drawing	RESTRICTED TO SCALE - SHEET 10 OF 20 REV G8

LOC	DIST	REVISIONS					
		P	LTN	DESCRIPTION	DATE	DWN	APVD
ES	00	-	-	SEE SHEET 1	-	-	-

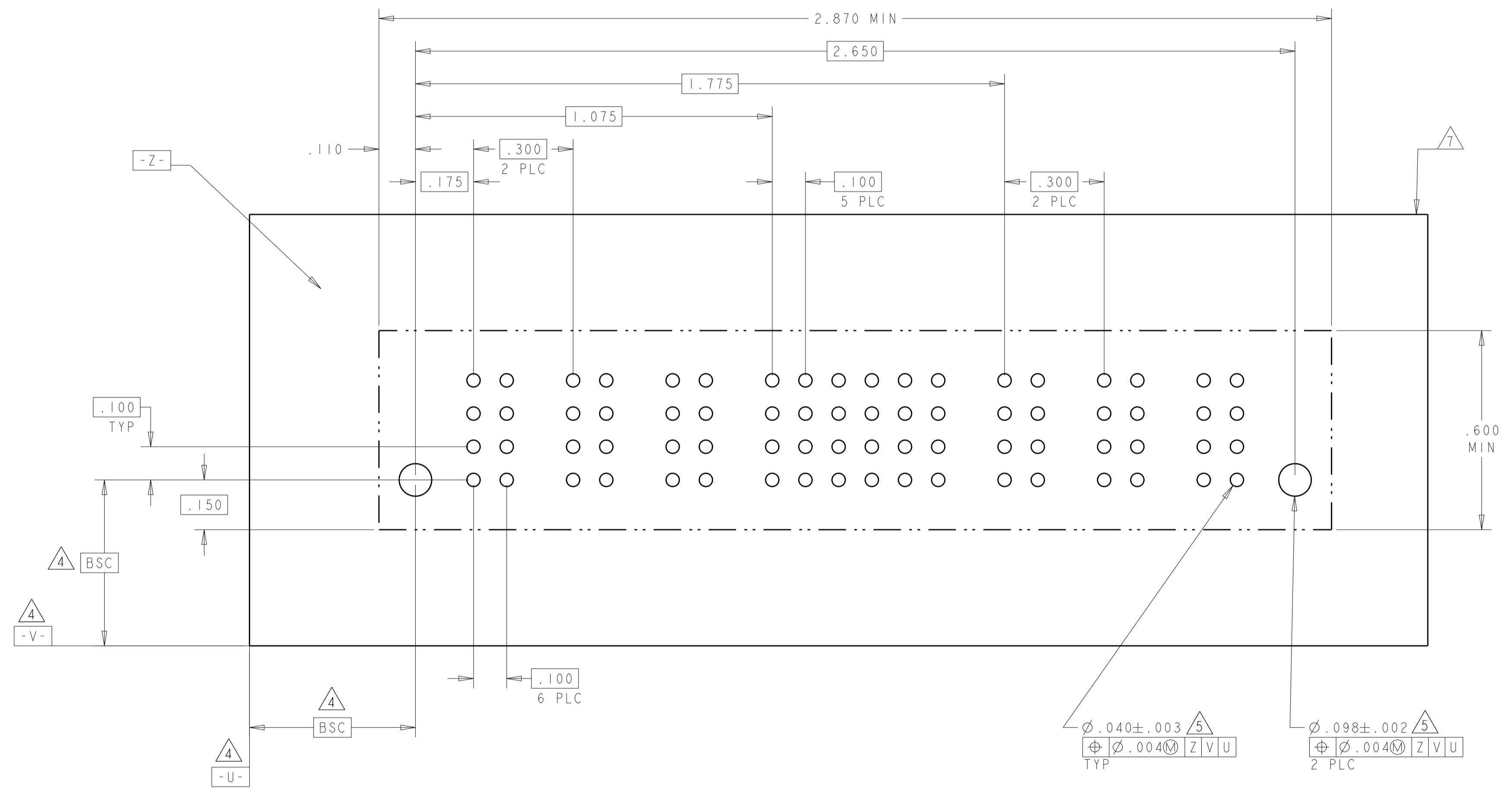
PART NUMBER	ROWS	HD	POWER						SIGNAL						POWER						HD						
			P1	P2	P3	P4	P5	P6	1	2	3	4	5	6	P7	P8	P9	P10	P11	P12							
1-6450820-1	D C B A	HD	VM	VM	VM	VM	VM	VM	EV	EV	EV	EV	EV	EV	VM	VM	VM	VM	VM	VM	VM	VM	VM	VM	VM	VM	HD
			VM	VM	VM	VM	VM	VM	EV	EV	EV	EV	EV	EV	VM	VM	VM	VM	VM	VM	VM	VM	VM	VM	VM	VM	
			VM	VM	VM	VM	VM	VM	EV	EV	EV	EV	EV	EV	VM	VM	VM	VM	VM	VM	VM	VM	VM	VM	VM	VM	
			VM	VM	VM	VM	VM	VM	ES	EV	EV	EV	EV	EV	VM	VM	VM	VM	VM	VM	VM	VM	VM	VM	VM	VM	
6P + 24S + 6P																											



THIS DRAWING IS A CONTROLLED DOCUMENT.		DWN D. ZHU	15NOV2007	 TE Connectivity
DIMENSIONS: INCHES		CHK S. ZHAO	15NOV2007	
TOLERANCES UNLESS OTHERWISE SPECIFIED: 0 PLC ±. 1 PLC ±.01 2 PLC ±.01 3 PLC ±.005 4 PLC ±.0020 ANGLES ±.2°		APVD S. ZHAO	-	NAME VERTICAL HEADER ASSEMBLY W/ SHORT END MODULES, PRESS FIT MULTI-BEAM XLE
MATERIAL		PRODUCT SPEC	108-2292	SIZE 114-13251
FINISH		APPLICATION SPEC	114-13251	WEIGHT
		RESTRICTED TO	A100779	C=6450820
		Customer Drawing	SCALE	SHEET 12 OF 20
				REV G8

LOC		DIST		REVISIONS			
ES	00	P	LTN	DESCRIPTION	DATE	DWN	APVD
-	-	-	-	SEE SHEET 1	-	-	-

PART NUMBER	ROWS	POWER			SIGNAL						POWER		
		P1	P2	P3	1	2	3	4	5	6	P4	P5	P6
1-6450820-3	D	VM	VM	VM	EV	EV	EV	EV	EV	EV	VM	VM	VM
	C				EV	EV	EV	EV	EV	EV			
	B				EV	EV	EV	EV	EV	EV			
	A				EV	EV	EV	EV	EV	EV			
3ACP + 24S + 3ACP													

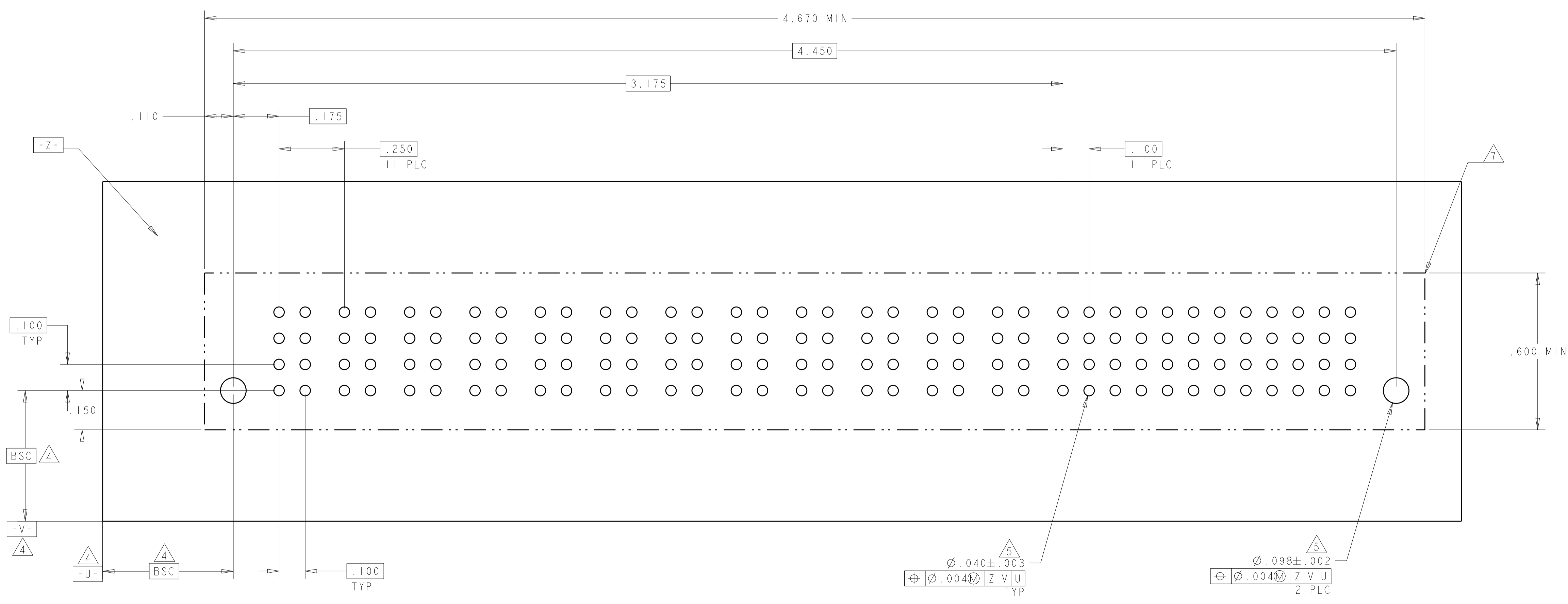


THIS DRAWING IS A CONTROLLED DOCUMENT.		DWN D. ZHU	15NOV2007	
DIMENSIONS: INCHES		CHK S. ZHAO	15NOV2007	
		TOLERANCES UNLESS OTHERWISE SPECIFIED: 0 PLC ±. 1 PLC ±.01 2 PLC ±.01 3 PLC ±.005 4 PLC ±.0020 ANGLES ±.2°		NAME VERTICAL HEADER ASSEMBLY W/ SHORT END MODULES, PRESS FIT MULTI-BEAM XLE
MATERIAL		APVD S. ZHAO	PRODUCT SPEC 108-2292	SIZE A100779C=6450820
FINISH		APPLICATION SPEC 114-13251	WEIGHT	RESTRICTED TO Customer Drawing
SCALE		SHEET 13 OF 20		REV G8

LOC	DIST	REVISIONS					
		P	LTN	DESCRIPTION	DATE	DWN	APVD
ES	00	-	-	SEE SHEET 1	-	-	-

PART NUMBER	ROWS	POWER												SIGNAL											
		P1	P2	P3	P4	P5	P6	P7	P8	P9	P10	P11	P12	1	2	3	4	5	6	7	8	9	10	11	12
1-6450820-7	D	VM	VM	VM	VM	VM	VM	VM	VM	VM	VM	VM	VM	EV	EV	EV	EV	EV	EV	EV	EV	EV	EV	EV	EV
	C	VM	VM	VM	VM	VM	VM	VM	VM	VM	VM	VM	VM	EV	EV	EV	EV	EV	EV	EV	EV	EV	EV	EV	EV
	B	VM	VM	VM	VM	VM	VM	VM	VM	VM	VM	VM	VM	EV	EV	EV	EV	EV	EV	EV	EV	EV	EV	EV	EV
	A	VM	VM	VM	VM	VM	VM	VM	VM	VM	VM	VM	VM	EV	EV	EV	EV	EV	EV	EV	EV	EV	EV	EV	EV

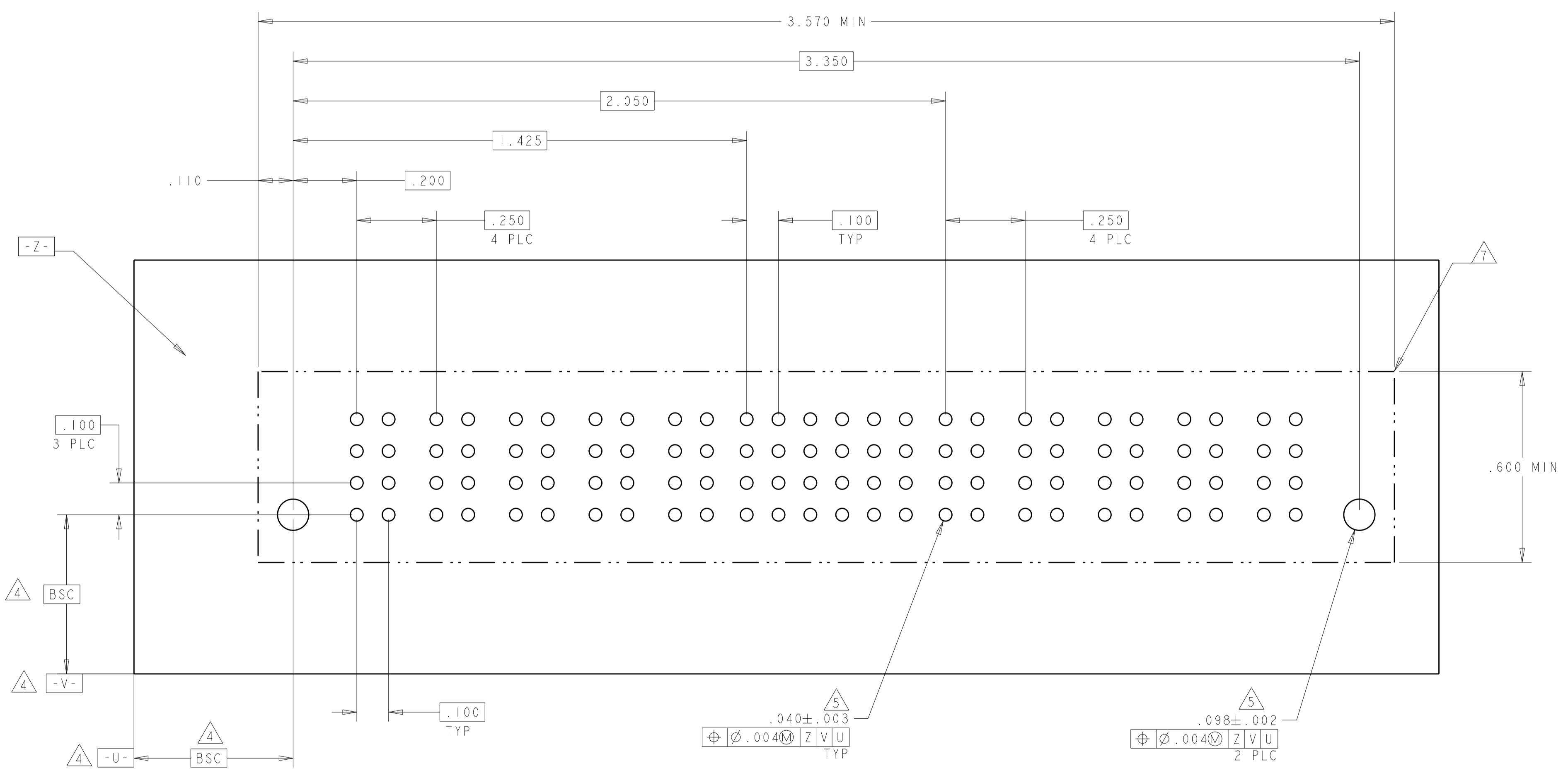
12P + 48S



THIS DRAWING IS A CONTROLLED DOCUMENT.		DWN	D. ZHU	15NOV2007	STE TE Connectivity
DIMENSIONS: INCHES		CHK	S. ZHAO	15NOV2007	
TOLERANCES UNLESS OTHERWISE SPECIFIED:		APVD	S. ZHAO	-	NAME VERTICAL HEADER ASSEMBLY W/ SHORT END MODULES, PRESS FIT MULTI-BEAM XLE
0 PLC ±.01		PRODUCT SPEC	108-2292		
1 PLC ±.01		APPLICATION SPEC	114-13251		
2 PLC ±.005		SIZE	A 100779 C=6450820		
3 PLC ±.002		RESTRICTED TO	Customer Drawing		
4 PLC ±.0020		SCALE	SHEET 14 OF 20		
ANGLES ±.5°		REV	G8		
FINISH					

LOC	DIST	REVISIONS			
P	LTN	DESCRIPTION	DATE	DMN	APVD
ES	00	SEE SHEET 1	-	-	-

PART NUMBER	ROWS	POWER					SIGNAL						POWER				
		P1	P2	P3	P4	P5	1	2	3	4	5	6	P6	P7	P8	P9	P10
1-6450820-9	D C B A	VM	VM	VM	VM	VM	EV	EV	EV	EV	EV	EV	VM	VM	VM	VM	VM
							EV	EV	EV	EV	EV	EV					
							EV	EV	EV	EV	EV	EV					
							EV	EV	EV	EV	EV	EV					
5P + 24S + 5P		<div style="display: flex; justify-content: space-between;"> HD HD </div>															

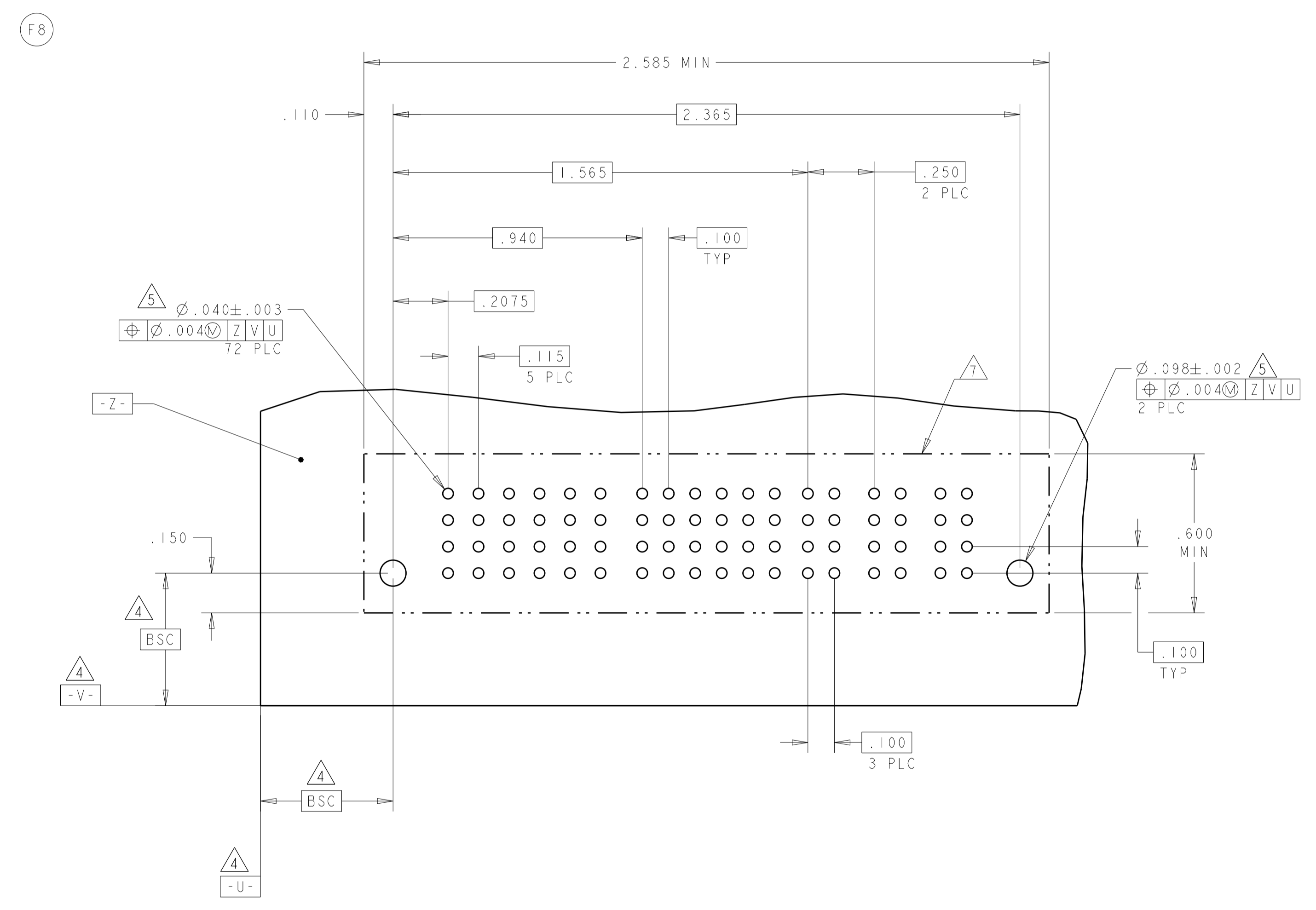
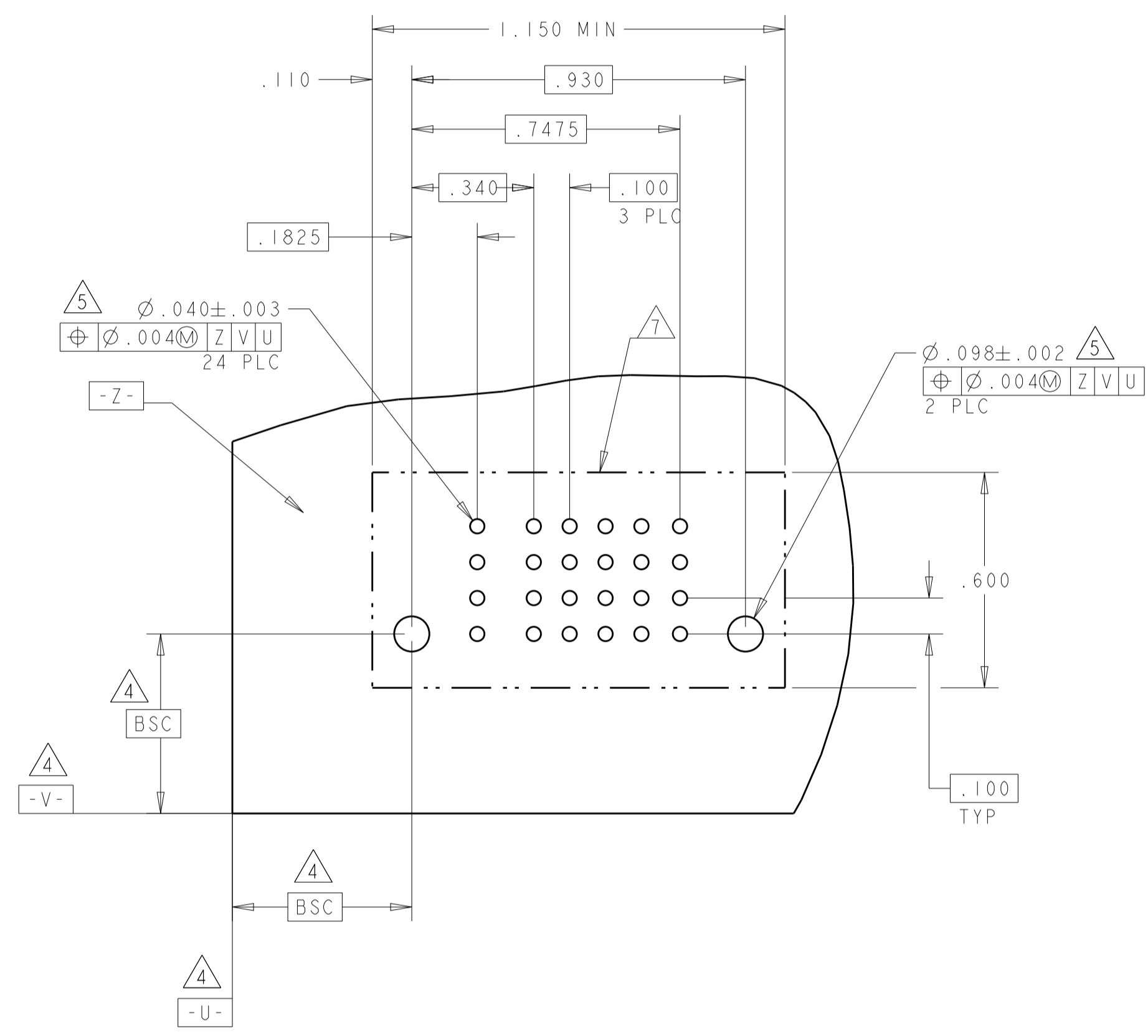


THIS DRAWING IS A CONTROLLED DOCUMENT.		DMN: D.ZHU 15NOV2007	TE Connectivity
DIMENSIONS: INCHES		CHK: S.ZHAO 15NOV2007	
DIMENSIONS: INCHES 0 PLC ±. 1 PLC ±.01 2 PLC ±.01 3 PLC ±.005 4 PLC ±.0020 ANGLES ±2° FINISH		APVD: S.ZHAO PRODUCT SPEC: 108-2292 APPLICATION SPEC: 114-13251 WEIGHT: - Customer Drawing	NAME: VERTICAL HEADER ASSEMBLY W/ SHORT END MODULES, PRESS FIT MULTI-BEAM XLE SIZE: A1 CAGE CODE: 100779 DRAWING NO: 6450820 RESTRICTED TO: - SCALE: - SHEET 16 OF 20 REV: G8

LOC	DIST	REVISIONS			
P	LTN	DESCRIPTION	DATE	DMN	APVD
ES	00	SEE SHEET 1	-	-	-

PART NUMBER	ROWS	HD	POWER		SIGNAL				POWER		HD
			LP1	LP2	1	2	3	4	LP2		
2-6450820-0	D C B A		LZ	LZ	EV	EV	EV	EV	LZ		
1LP + 16S + 1LP											

PART NUMBER	ROWS	HD	LOW POWER						SIGNAL						POWER			HD				
			LP1	LP2	LP3	LP4	LP5	LP6	1	2	3	4	5	6	P1	P2	P3					
2-6450820-1	D C B A		LZ	LZ	LZ	LZ	LZ	LZ	EV	EV	EV	EV	EV	EV	EV	EV	EV	EV	VM	VM	VM	
6LP + 24S + 3P																						



THIS DRAWING IS A CONTROLLED DOCUMENT.

DIMENSIONS: INCHES	TOLERANCES UNLESS OTHERWISE SPECIFIED:	DMN D. ZHU CHK S. ZHAO APVD S. ZHAO	15NOV2007 15NOV2007	TE Connectivity NAME VERTICAL HEADER ASSEMBLY W/ SHORT END MODULES, PRESS FIT MULTI-BEAM XLE
	0 PLC ± 1 PLC ±.01 2 PLC ±.01 3 PLC ±.005 4 PLC ±.0020 ANGLES ±.7° FINISH	PRODUCT SPEC 108-2292 APPLICATION SPEC 114-13251 WEIGHT - Customer Drawing	SIZE A100779 CAGE CODE C=6450820 RESTRICTED TO -	

SCALE - SHEET 17 OF 20 REV G8

LOC	DIST	REVISIONS					
		P	LTN	DESCRIPTION	DATE	DWN	APVD
ES	00	-		SEE SHEET 1	-	-	-

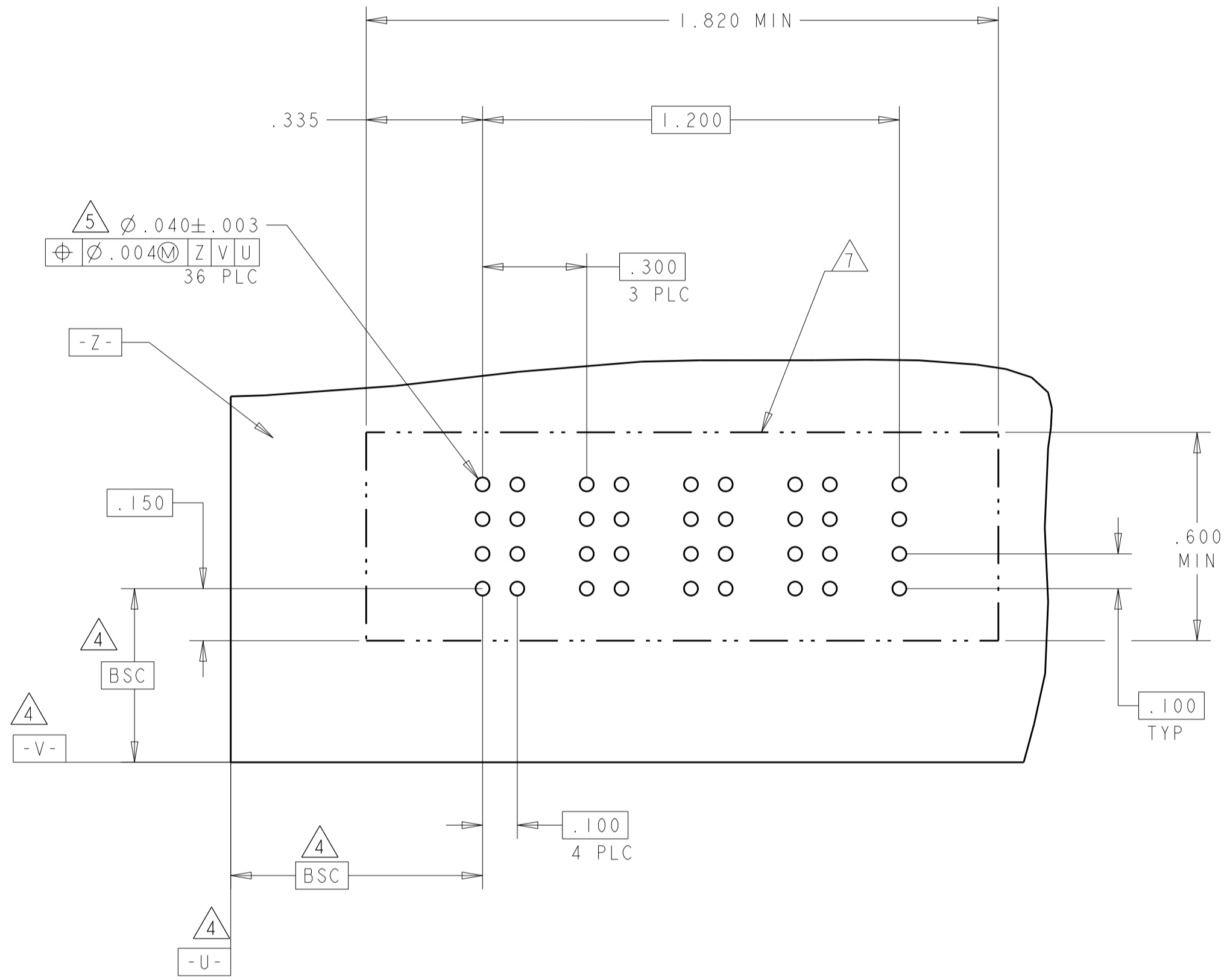
PART NUMBER	ROWS	POWER				SIGNAL
		P1	P2	P3	P4	I
2-6450820-2	D	VM	VM	VM	VM	EV
	C	VM	VM	VM	VM	EV
	B	VM	VM	VM	VM	EV
	A	VM	VM	VM	VM	EV

4ACP + 4S

PART NUMBER	ROWS	POWER								SIGNAL																		POWER										
		P1	P2	P3	P4	P5	P6	P7	P8	1	2	3	4	5	6	7	8	9	10	11	12	13	14	15	16	17	18	P9	P10	P11	P12	P13	P14	P15	P16			
6450820-9	D	VM	VM	VM	VM	VM	VM	VM	VM	EV	EV	EV	EV	EV	EV	EV	EV	EV	EV	EV	EV	EV	EV	EV	EV	EV	EV	EV	EV	EV	EV	EV	EV	EV	EV	EV	EV	
	C	VM	VM	VM	VM	VM	VM	VM	VM	EV	EV	EV	EV	EV	EV	EV	EV	EV	EV	EV	EV	EV	EV	EV	EV	EV	EV	EV	EV	EV	EV	EV	EV	EV	EV	EV	EV	
	B	VM	VM	VM	VM	VM	VM	VM	VM	EV	EV	EV	EV	EV	EV	EV	EV	EV	EV	EV	EV	EV	EV	EV	EV	EV	EV	EV	EV	EV	EV	EV	EV	EV	EV	EV	EV	EV
	A	VM	VM	VM	VM	VM	VM	VM	VM	EV	EV	EV	EV	EV	EV	EV	EV	EV	EV	EV	EV	EV	EV	EV	EV	EV	EV	EV	EV	EV	EV	EV	EV	EV	EV	EV	EV	EV

8P + 72S + 8P

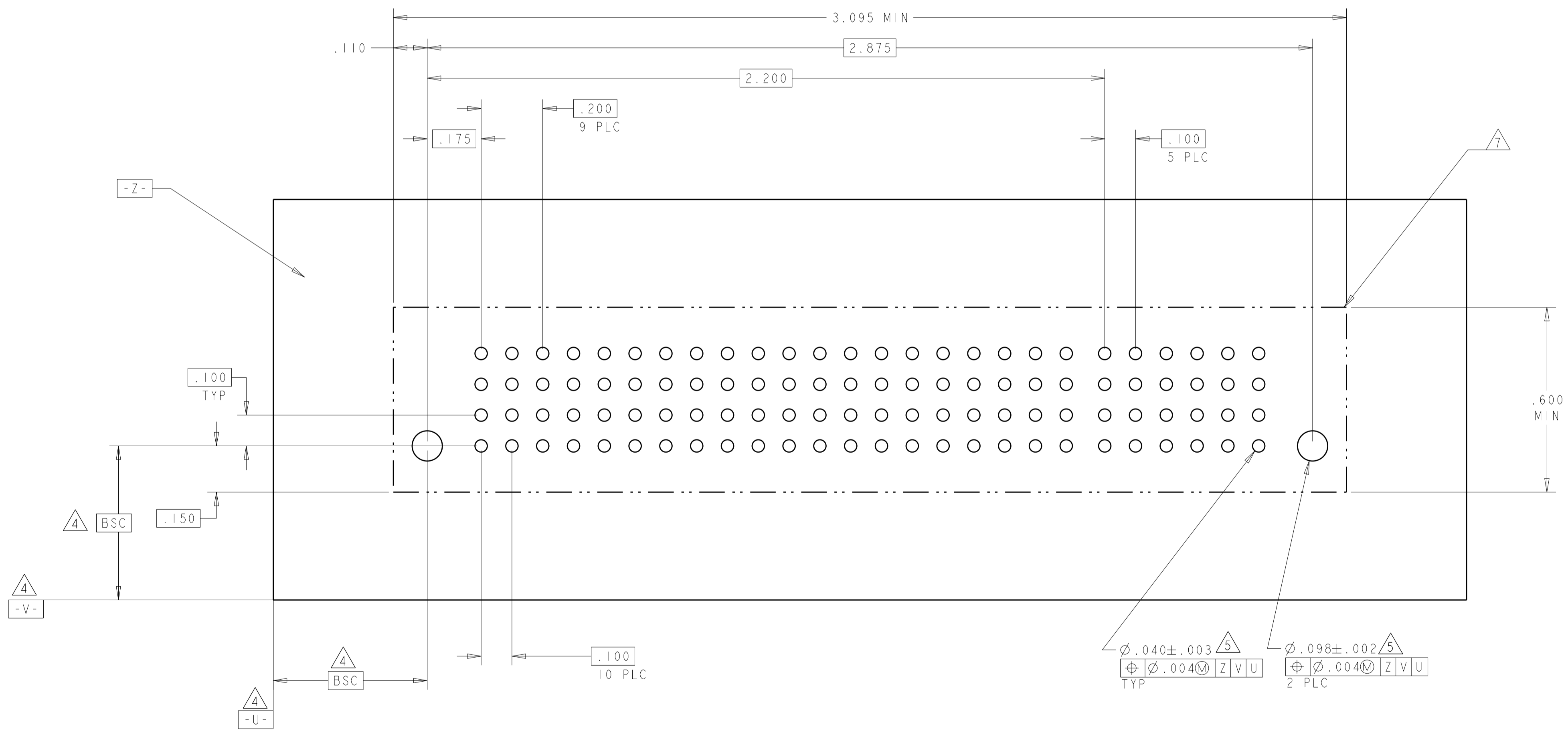
THE PCB LAYOUT IS THE SAME AS 6450820-8.



THIS DRAWING IS A CONTROLLED DOCUMENT.		DWN D. ZHU 15NOV2007	TE Connectivity NAME VERTICAL HEADER ASSEMBLY W/ SHORT END MODULES, PRESS FIT MULTI-BEAM XLE
DIMENSIONS:		CHK S. ZHAO 15NOV2007	
INCHES		APVD S. ZHAO	
DIMENSIONS: TOLERANCES UNLESS OTHERWISE SPECIFIED: 0 PLC ± .01 1 PLC ± .01 2 PLC ± .01 3 PLC ± .005 4 PLC ± .0020 ANGLES ± 30° FINISH		PRODUCT SPEC 108-2292 APPLICATION SPEC 114-13251 WEIGHT - Customer Drawing	
MATERIAL		SIZE CAGE CODE DRAWING NO A100779C=6450820	RESTRICTED TO
4805 (3/11)		SCALE -	SHEET 18 OF 20 REV G8

LOC	DIST	REVISIONS					
		P	LTN	DESCRIPTION	DATE	DMN	APVD
ES	00	-	-	SEE SHEET 1	-	-	-

PART NUMBER	ROWS	POWER										SIGNAL							
		P1	P2	P3	P4	P5	P6	P7	P8	P9	P10	1	2	3	4	5	6		
2-6450820-3	D	VM	VM	VM	VM	VM	VM	VM	VM	VM	VM	EV	EV	EV	EV	EV	EV		
	C											EV	EV	EV	EV	EV	EV		
	B											EV	EV	EV	EV	EV	EV		
	A											EV	EV	EV	EV	EV	EV		
10HDP + 24S		HD											HD						

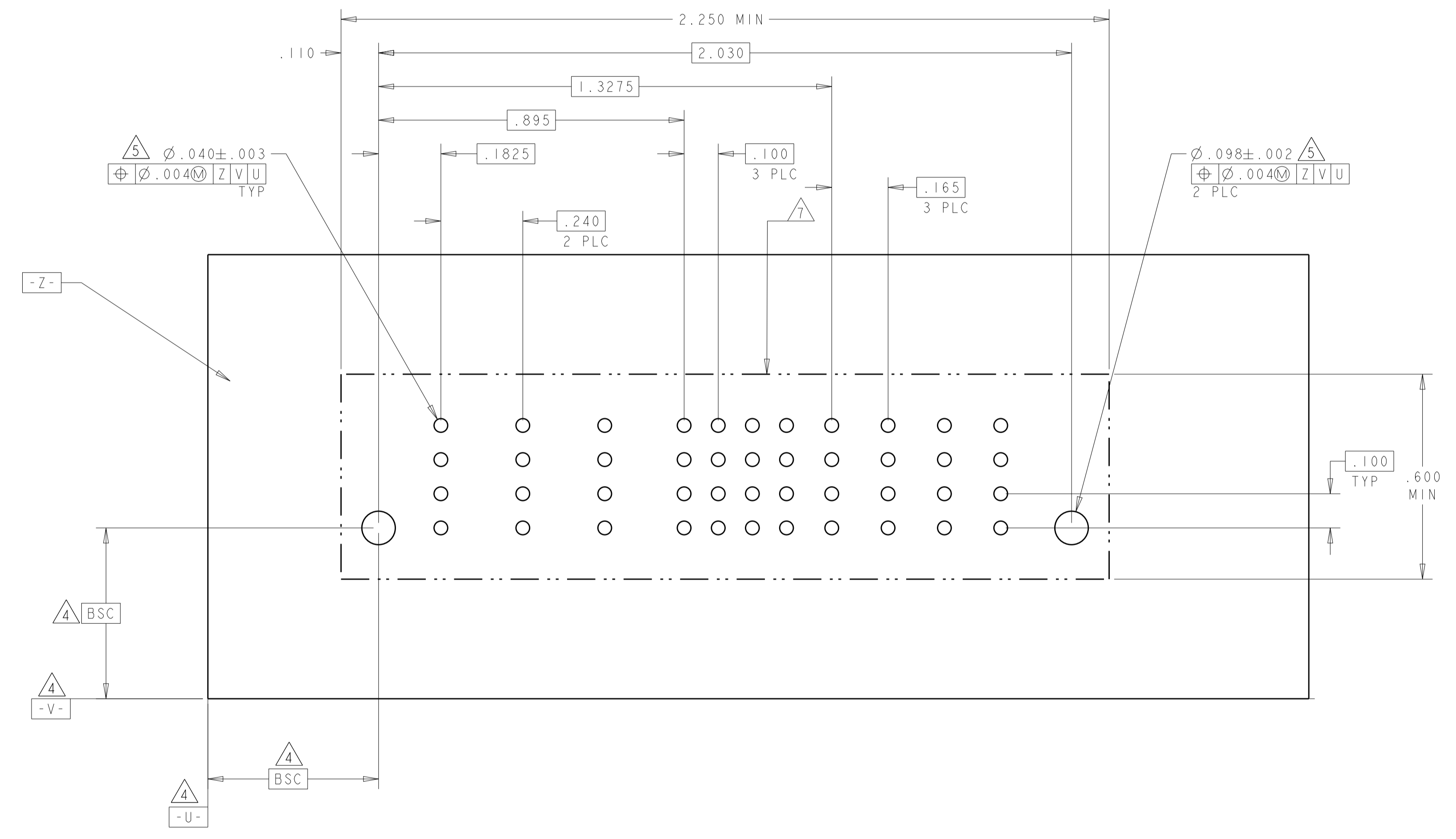


THIS DRAWING IS A CONTROLLED DOCUMENT.

DIMENSIONS: INCHES	TOLERANCES UNLESS OTHERWISE SPECIFIED:	DMN D. ZHU CHK S. ZHAO APVD S. ZHAO	15NOV2007 15NOV2007	TE Connectivity NAME VERTICAL HEADER ASSEMBLY W/ SHORT END MODULES, PRESS FIT MULTI-BEAM XLE
	0 PLC ± 1 PLC ±.01 2 PLC ±.01 3 PLC ±.005 4 PLC ±.0020 ANGLES ±2°	PRODUCT SPEC 108-2292 APPLICATION SPEC 114-13251	SIZE A100779	
MATERIAL	FINISH	WEIGHT Customer Drawing		RESTRICTED TO SCALE - SHEET 19 OF 20 REV G8

LOC	DIST	REVISIONS					
		P	LTN	DESCRIPTION	DATE	DWN	APVD
ES	00	-	-	SEE SHEET 1	-	-	-

PART NUMBER	ROWS	HD	POWER			SIGNAL				POWER				HD
			LP1	LP2	LP3	1	2	3	4	LP4	LP5	LP6	LP7	
2-6450820-5	D	C B A	LZ	LZ	LZF	EV	EV	EV	ES	LZ	LZ	LZ	LZ	
	EV					EV	EV	EV						
	EV					EV	EV	EV						
	EV					EV	EV	EV						
3LP + 16S + 4LP														



THIS DRAWING IS A CONTROLLED DOCUMENT.		DWN: D. ZHU 15NOV2007	 TE Connectivity
DIMENSIONS: INCHES		CHK: S. ZHAO 15NOV2007	
TOLERANCES UNLESS OTHERWISE SPECIFIED: 0 PLC ±. 1 PLC ±. 2 PLC ±.01 3 PLC ±.005 4 PLC ±.0020 ANGLES ±.7°		APVD: S. ZHAO	NAME: VERTICAL HEADER ASSEMBLY W/ SHORT END MODULES, PRESS FIT MULTI-BEAM XLE
MATERIAL: -		FINISH: -	RESTRICTED TO: -
Customer Drawing		SCALE: -	SHEET 20 OF 20 REV: G8

Компания «Океан Электроники» предлагает заключение долгосрочных отношений при поставках импортных электронных компонентов на взаимовыгодных условиях!

Наши преимущества:

- Поставка оригинальных импортных электронных компонентов напрямую с производств Америки, Европы и Азии, а так же с крупнейших складов мира;
- Широкая линейка поставок активных и пассивных импортных электронных компонентов (более 30 млн. наименований);
- Поставка сложных, дефицитных, либо снятых с производства позиций;
- Оперативные сроки поставки под заказ (от 5 рабочих дней);
- Экспресс доставка в любую точку России;
- Помощь Конструкторского Отдела и консультации квалифицированных инженеров;
- Техническая поддержка проекта, помощь в подборе аналогов, поставка прототипов;
- Поставка электронных компонентов под контролем ВП;
- Система менеджмента качества сертифицирована по Международному стандарту ISO 9001;
- При необходимости вся продукция военного и аэрокосмического назначения проходит испытания и сертификацию в лаборатории (по согласованию с заказчиком);
- Поставка специализированных компонентов военного и аэрокосмического уровня качества (Xilinx, Altera, Analog Devices, Intersil, Interpoint, Microsemi, Actel, Aeroflex, Peregrine, VPT, Syfer, Eurofarad, Texas Instruments, MS Kennedy, Miteq, Cobham, E2V, MA-COM, Hittite, Mini-Circuits, General Dynamics и др.);

Компания «Океан Электроники» является официальным дистрибьютором и эксклюзивным представителем в России одного из крупнейших производителей разъемов военного и аэрокосмического назначения «JONHON», а так же официальным дистрибьютором и эксклюзивным представителем в России производителя высокотехнологичных и надежных решений для передачи СВЧ сигналов «FORSTAR».



JONHON

«JONHON» (основан в 1970 г.)

Разъемы специального, военного и аэрокосмического назначения:

(Применяются в военной, авиационной, аэрокосмической, морской, железнодорожной, горно- и нефтедобывающей отраслях промышленности)

«FORSTAR» (основан в 1998 г.)

ВЧ соединители, коаксиальные кабели, кабельные сборки и микроволновые компоненты:

(Применяются в телекоммуникациях гражданского и специального назначения, в средствах связи, РЛС, а так же военной, авиационной и аэрокосмической отраслях промышленности).



Телефон: 8 (812) 309-75-97 (многоканальный)

Факс: 8 (812) 320-03-32

Электронная почта: ocean@oceanchips.ru

Web: <http://oceanchips.ru/>

Адрес: 198099, г. Санкт-Петербург, ул. Калинина, д. 2, корп. 4, лит. А