

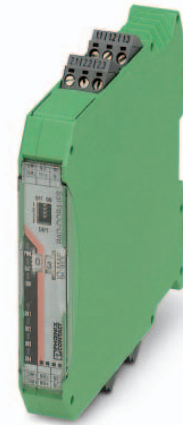
# RAD-DOR4-IFS

I/O extension module, 4 digital relay outputs

## INTERFACE

Data sheet  
104834\_en\_01

© PHOENIX CONTACT 2013-01-21



## 1 Description

The **RAD-DOR4-IFS** I/O extension module can be used in conjunction with Radioline wireless modules and other Interface System (IFS) master devices.

The **RAD-DOR4-IFS** digital I/O extension module is used for processing four switching signals that are switched via relay outputs. Signals are forwarded for each switching signal via a floating N/C/N/O contact.

### Features

- Easy and tool-free I/O mapping via thumb wheel on the front
- Modular design via TBUS DIN rail connector (hot-swap capable)
- Channel-to-channel electrical isolation
- 4 relay outputs (24 V DC/250 V AC/6 A)
- DIP switches for HOLD/RESET behavior of the outputs
- International approvals
- Installation in Ex-Zone 2



#### **WARNING: Correct usage in potentially explosive areas**

The module is a category 3 item of electrical equipment. Follow the instructions provided here during installation and observe the safety instructions.



Make sure you always use the latest documentation.  
It can be downloaded from the product at [www.phoenixcontact.net/products](http://www.phoenixcontact.net/products).



This data sheet is valid for all products listed on the following page:

---

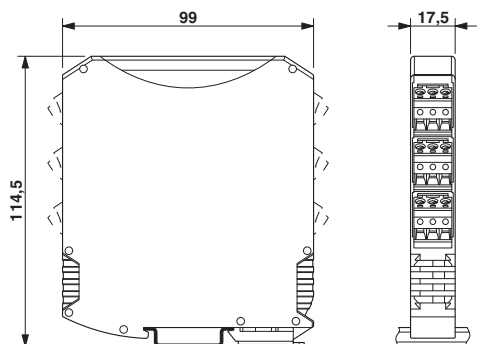
<b>2</b>	<b>Table of contents</b>	
1	Description .....	1
2	Table of contents .....	2
3	Ordering data .....	3
4	Technical data .....	3
5	Safety regulations and installation notes.....	6
	5.1 Installation and operation.....	6
	5.2 Safety regulations for installation in potentially explosive areas .....	7
6	Installation .....	8
	6.1 Structure .....	8
	6.2 Basic circuit diagram .....	8
	6.3 Configuration .....	9
	6.4 I/O MAP address in the Radioline wireless system .....	9
	6.5 Display and diagnostic elements .....	10
	6.6 Digital outputs .....	10
	6.7 Assembly/removal .....	11
	6.8 Connecting the cables .....	11
7	Process data.....	12

### 3 Ordering data

Description	Type	Order No.	Pcs. / Pkt.
Digital I/O extension module with 4 digital relay outputs (6 A, 250 V AC/ 24 V DC), with screw connection, incl. DIN rail connector	RAD-DOR4-IFS	2901536	1
Accessories	Type	Order No.	Pcs. / Pkt.
2400 MHz wireless transceiver with RS-232, RS-485 2-wire interface, expandable with I/O extension modules, with screw connection, antenna connection: RSMA (female), including DIN rail connector	RAD-2400-IFS	2901541	1
Bidirectional, Radioline 900 MHz transceiver for wireless transmission of serial and I/O data	RAD-900-IFS	2901540	1
DIN rail connector for DIN rail power supply unit, gold-plated contacts, for DIN rail mounting, 5-pos.	ME 17,5 TBUS 1,5/ 5-ST-3,81 GN	2709561	10
Digital I/O extension module with 4 digital inputs (0...250 V AC/DC), with screw connection, incl. DIN rail connector	RAD-DI4-IFS	2901535	1

### 4 Technical data

#### Dimensions (nominal sizes in mm)



Dimensions W / H / D	17.5 mm / 99 mm / 114.5 mm
----------------------	----------------------------

#### General data

Surge voltage category	II
Mounting position	Any, on standard DIN rail NS 35 in accordance with EN 60715
Degree of protection	IP20
Pollution degree	2
Type of housing	PA 6.6-FR, green
Inflammability class according to UL 94	V0

#### Supply

Supply voltage range	19.2 V DC ... 30.5 V DC (T-connector)
Max. current consumption	max. 55 mA (At 24 V DC, at 25°C)
Transient surge protection	Yes

Relay output	
Number of outputs	4
Contact type	PDT
Contact material	AgSnO <sub>2</sub>
Maximum switching voltage	250 V AC 24 V DC
Min. switching current	≥ 10 mA
Max. switching current	6 A (per channel)
Mechanical service life	1 x 10 <sup>7</sup> cycles
Electrical service life	1 x 10 <sup>5</sup> cycles (At 5 A, 250 V AC, ohmic) 2 x 10 <sup>5</sup> cycles (At 2 A, 250 V AC, cosφ 0.4) 2 x 10 <sup>5</sup> cycles (At 1 A, 24 V DC, L/R = 48 ms)
Maximum switching frequency	2 Hz
Switching capacity	140 W (24 V DC) 120 W (30 V DC) 20 W (48 V DC) 18 W (60 V DC) 22 W (110 V DC) 40 W (220 V DC) 42 W (250 V DC) 1500 VA
Behavior of the outputs (adjustable via DIP switch)	Hold / Reset

Electrical isolation	
Digital I/O	300 V (Rated insulation voltage (in each case between the TBUS digital outputs // supply, safe isolation according to EN 61010, EN 50178))

Test voltage	
Digital I/O	2.5 kV AC (50 Hz, 1 min.)

Connection data	
Connection method	Screw connection
Conductor cross section, solid	0.2 mm <sup>2</sup> ... 2.5 mm <sup>2</sup>
Conductor cross section, stranded	0.2 mm <sup>2</sup> ... 2.5 mm <sup>2</sup>
Conductor cross section AWG/kcmil	24 ... 14
Stripping length	7 mm
Tightening torque	0.6 Nm

Status indication	
Status display	Green LED (supply voltage, PWR) Green LED (bus communication, DAT) Red LED (periphery error, ERR) Yellow LED (digital output, DO1) Yellow LED (digital output, DO2) Yellow LED (digital output, DO3) Yellow LED (digital output, DO4)

Ambient conditions	
Ambient temperature (operation)	-40 °C ... 70 °C (>55°C derating) -40 °F ... 158 °F (>131°F derating)
Ambient temperature (storage/transport)	-40 °C ... 85 °C -40 °F ... 185 °F
Permissible humidity (operation)	20 % ... 85 %
Permissible humidity (storage/transport)	20 % ... 85 %
Altitude	2000 m
Vibration (operation)	In accordance with IEC 60068-2-6: 5 g, 10 Hz - 150 Hz
Shock	16 g, 11 ms

**Operating conditions for the extended temperature range (+55°C ... 70°C)**

No function restrictions for the extended temperature range if you keep a minimum distance of 17.5 mm between the modules. The minimum distance is the width of a DIN rail connector.

Otherwise please observe the following restrictions:

- Maximum switching current of 2 A per channel!

Individual operating conditions on request.

**Certification**

Conformance

CE-compliant

ATEX

II 3 G Ex nA nC IIC T4 Gc X

IECEX

Applied for

UL, USA / Canada

UL applied for

**Conformance**

EMC directive 2004/108/EC

EN 61000-6-2; EN 61000-6-4

Ex directive (ATEX)

EN 60079-0; EN 60079-15

## 5 Safety regulations and installation notes

### 5.1 Installation and operation

Follow the installation instructions.



**NOTE:** Installation, operation, and maintenance may only be carried out by qualified specialist personnel.

Error-free operation of this device can only be ensured if transport, storage, and assembly are carried out correctly and operation and maintenance are carried out with care.

When installing and operating the device, the applicable safety directives (including national safety directives), accident prevention regulations, as well as general technical regulations, must be observed.



**WARNING: Risk of electric shock**

During operation, certain parts of this device may carry hazardous voltages. Disregarding this warning may result in damage to equipment and/or serious personal injury.

For applications with high operating voltages, ensure sufficient distance or insulation and provide shock protection.



**NOTE:** Access to circuits within the device is not permitted.

Do not repair the device yourself but replace it with an equivalent device.

Repairs may only be carried out by the manufacturer. The manufacturer is not liable for damage resulting from a failure to comply.

Provide a switch/circuit breaker close to the device, which is labeled as the disconnect device for this device.

Provide overcurrent protection ( $I \leq 6 \text{ A}$ ) in the installation.



During maintenance work, disconnect the device from all effective power sources.



**NOTE:** The IP20 degree of protection (IEC 60529/EN 60529) of the device is intended for a clean and dry environment. Do not subject the device to mechanical and/or thermal loads that exceed the specified limits.

For the safety data, please refer to the operating instructions and certificates (EC-type examination certificate, other approvals, if necessary).

## 5.2 Safety regulations for installation in potentially explosive areas

### Installation in zone 2



**WARNING: Explosion hazard**

The device is designed for installation in zone 2 potentially explosive areas according to directive 94/9/EC. Observe the specified conditions for use in potentially explosive areas.



**WARNING: Explosion hazard**

Install the device into a housing (control or distributor box) that meets the requirements of EN 60079-0 and EN 60079-15 and has at least IP54 protection (EN 60529).



**WARNING: Explosion hazard**

When installing and connecting the supply and signal circuits observe the requirements of EN 60079-14. Only devices suitable for operation in Ex zone 2 and the conditions at the application site may be connected to the circuits in zone 2.



**WARNING: Explosion hazard**

In potentially explosive areas, only connect and disconnect cables when the power is disconnected.

Installation/removal of the devices on/from the TBUS DIN rail connector may only be performed when no voltage is applied.



**WARNING: Explosion hazard**

Only use category 3G devices (ATEX 94/9/EC).



**WARNING: Explosion hazard**

The device must be stopped and immediately removed from the Ex area if it is damaged or was subject to an impermissible load or stored incorrectly or if it malfunctions.

### Installation in areas with a danger of dust explosions



**WARNING: Explosion hazard**

The device has not been designed for use in potentially dust-explosive atmospheres.

## 6 Installation



**NOTE: electrostatic discharge!**

The device contains components that can be damaged or destroyed by electrostatic discharge. When handling the device, observe the necessary safety precautions against electrostatic discharge (ESD) according to EN 61340-5-1 and EN 61340-5-1.

### 6.1 Structure

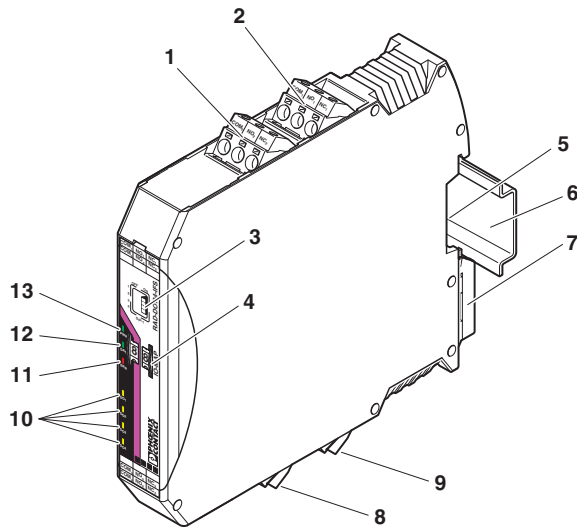


Bild 1 RAD-DOR4-IFS

Pos.	Designation
1	Relay output 2 with PDT contact (floating)
2	Relay output 1 with PDT contact (floating)
3	DIP switches for configuring the output behavior (hold/reset) of the relay outputs
4	I/O MAP address setting via thumb wheel
5	Connection option for TBUS DIN rail connector
6	DIN rail
7	Metal foot catch for DIN rail fixing
8	Relay output 3 with PDT contact (floating)
9	Relay output 4 with PDT contact (floating)
10	Status LEDs for the relay outputs DO1...DO4
11	ERR status LED, red (communication error)
12	DAT status LED, green (BUS communication)
13	PWR status LED, green (supply voltage)

### 6.2 Basic circuit diagram

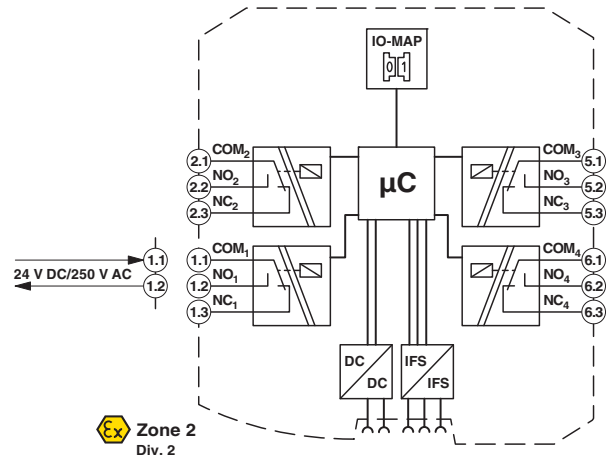


Bild 2 RAD-DOR4-IFS basic circuit diagram



### 6.3 Configuration

The DIP switches on the front can be used to set the behavior of the outputs in the event of an error (e.g., interruption of the bus communication by interruption of the wireless connection).

For the digital outputs DO1 ... DO4 you can select the "reset" option (relay drops out = "RESET) or the "hold last valid value" option ("HOLD").

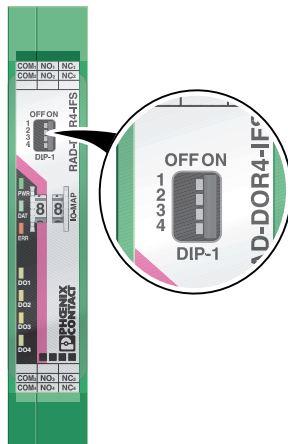


Bild 3 DIP switches

Output	Configuration	DIP switch			
		1	2	3	4
Digital OUT1	RESET	off			
Digital OUT1	HOLD	on			
Digital OUT2	RESET		off		
Digital OUT2	HOLD		on		
Digital OUT3	RESET			off	
Digital OUT3	HOLD			on	
Digital OUT4	RESET				off
Digital OUT4	HOLD				on

### 6.4 I/O MAP address in the Radioline wireless system

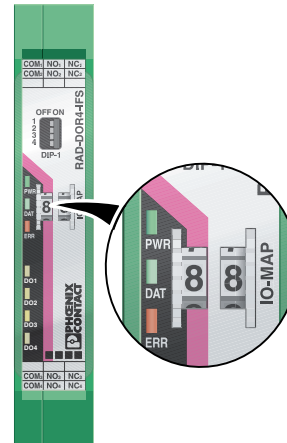


Bild 4 Thumb wheel

Use the thumb wheel to set the I/O MAP address. The address is used to address the I/O module for use in the Radioline wireless system.

The following conditions must be met:

On the entire wireless network, addresses 1 to 99 (I/O MAP) (maximum) may be assigned for the I/O extension modules.

Thumb wheel settings	Description
01 - 99	I/O MAP address
00	Delivery state
** , 1* - 9*	Setting not permitted
1* - 9*	Interface System slave address, for use with Interface System (IFS) master devices

**Wireless module in I/O data mode (wire in/wire out)**

The output device must be provided with the same I/O MAP address as the assigned input device at the other wireless station (I/O mapping).

Exception: Output modules with the same I/O MAP address may appear several times in the network at different stations.

Example:	I/O MAP address
RAD-DOR4-IFS	02
RAD-DI4-IFS	02

Only the RAD-DI4-IFS module can be assigned to the RAD-DOR-4-IFS module.

**Wireless module in PLC/Modbus RTU mode**

The I/O MAP address may only appear once in the network.

Exception: Output modules with the same I/O MAP address may appear several times in the network at different stations.

The output data is saved in a Modbus memory map in the master wireless module.

You can read or write the process data via the serial interface of the RAD-2400-IFS master wireless module (RAD-ID = 01) using the Modbus RTU command (see Section 7).

**6.5 Display and diagnostic elements**

7 LEDs on the RAD-DOR4-IFS I/O extension module in total indicate the operating states.

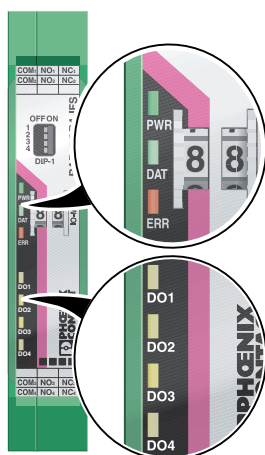


Bild 5 Display and diagnostic elements

**PWR LED**

The green PWR LED indicates the supply voltage status.

- Off: No supply voltage
- On: Supply voltage OK

**DAT LED**

The green DAT LED indicates the bus communication status.

- Off: No communication
- Flashing: Configuration/addressing mode
- On: Cyclic data communication

**ERR LED**

The red ERR LED indicates the error status, e.g., no corresponding output module found (e.g., incorrect addressing).

- Off: No error
- Flashing: Slow (1.4 Hz) I/O-MAP address changed
- Fast (2.8 Hz)

**Wireless module in I/O data mode (wire in/wire out)**

Missing input module, no bus communication

**Wireless module in PLC/Modbus RTU mode**

No Modbus communication (safe state of outputs, depending on DIP switch setting)

- On: Critical internal error

**DO1 ... DO4**

The yellow DO1 ... DO4 LEDs indicate the status of the digital outputs.

**6.6 Digital outputs**

The digital outputs of the extension module (1, 2, 8, 9 in Figure 1) are designed as floating relay contacts (PDT).

The digital outputs are electrically isolated (safe isolation) from one another, from the supply voltage (via bus foot), and from other electronic components.

6.7 Assembly/removal

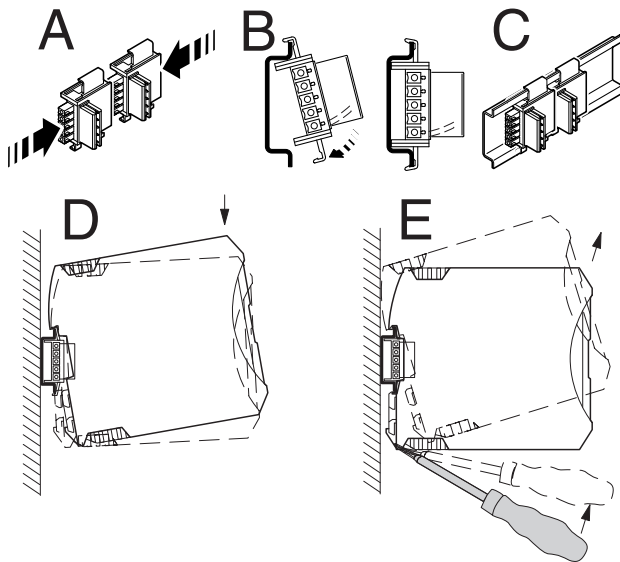


Bild 6 Mounting and removing

6.8 Connecting the cables

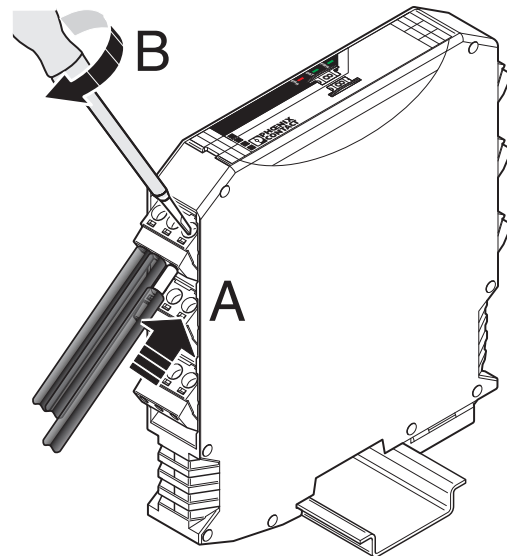


Bild 7 Connection of the cables



The use of the TBUS DIN rail connector for the supply of modules is only possible with 24 V DC devices.

- When using the DIN rail connector, first insert it in the 35 mm DIN rail according to EN 60715 (see Figure 6, A - C). The DIN rail connector is used to bridge the power supply and communication.



In this case, it is vital to observe the mounting direction of the module and DIN rail connector: snap-on foot at the bottom and connector on the left.

- Install the module in a suitable housing to meet the requirements for the protection class.
- Before startup, check that the RAD-DOR4-IFS is operating and wired correctly, in particular with regard to the wiring and labeling.
- You can establish a connection between two DIN rail connectors using MINI COMBICON plug-in connectors: MC 1,5/5-ST-3,81 (female, 1803604); IMC 1,5/5-ST-3,81 (male, 1857919).



The maximum cable length is 10 m. Use shielded cables.

- Crimp ferrules to the wires. Permissible cable cross section: 0.2...2.5 mm<sup>2</sup>.
- Insert the wire with ferrule into the corresponding connection terminal block.
- Use a screwdriver to tighten the screw in the opening above the connection terminal block. Tightening torque: 0.6 Nm

## 7 Process data

You can read the process data via the serial interface of the RAD-2400-IFS master wireless module (RAD-ID = 01) using the Modbus RTU command.

With the PSI-CONF software, you can set the wireless module's network application to "PLC/Modbus RTU mode".

The process image of the I/O modules consists of ten data words of which two are being used.

Address area: 40xx0 ... 40xx1

### I/O module RAD-DOR4-IFS

Module type 10<sub>hex</sub>  
 Number of registers 02<sub>hex</sub>  
 Address space 40xx0 ... 40xx1  
 Modbus function code fc 03, 16

xx = I/O-MAP address set using the thumbwheel

### 40xx0 Module type and currentness of data

Byte	Byte 0 (high byte)							
Bit	15	14	13	12	11	10	09	08
Module type								
Currentness of data								X
Byte	Byte 1 (low byte)							
Bit	07	06	05	04	03	02	01	00
Module type	0	0	0	1	0	0	0	0
Currentness of data								

### Register values:

Module type If the module type in the register is invalid or unavailable, then the register value is 0

Currentness of data If the data in the register is not up-to-date, then the register value is 1.  
 This is the case if, for example, the wireless connection fails.  
 In this case an output is either reset or the last status is retained, depending on the output configuration (HOLD/RESET).

The read I/O data is only valid if a valid module type value is returned by the slave and if bit 8 is not set.

### 40xx1 Digital outputs

Byte	Byte 0 (high byte)							
Bit	15	14	13	12	11	10	09	08
Channel								
Terminal point								
Byte	Byte 1 (low byte)							
Bit	07	06	05	04	03	02	01	00
Channel					DO4	DO3	DO2	DO1
Terminal point					6.x	5.x	2.x	1.x

### 40xx2 ... 40xx9 Reserved

Компания «Океан Электроники» предлагает заключение долгосрочных отношений при поставках импортных электронных компонентов на взаимовыгодных условиях!

Наши преимущества:

- Поставка оригинальных импортных электронных компонентов напрямую с производств Америки, Европы и Азии, а так же с крупнейших складов мира;
- Широкая линейка поставок активных и пассивных импортных электронных компонентов (более 30 млн. наименований);
- Поставка сложных, дефицитных, либо снятых с производства позиций;
- Оперативные сроки поставки под заказ (от 5 рабочих дней);
- Экспресс доставка в любую точку России;
- Помощь Конструкторского Отдела и консультации квалифицированных инженеров;
- Техническая поддержка проекта, помощь в подборе аналогов, поставка прототипов;
- Поставка электронных компонентов под контролем ВП;
- Система менеджмента качества сертифицирована по Международному стандарту ISO 9001;
- При необходимости вся продукция военного и аэрокосмического назначения проходит испытания и сертификацию в лаборатории (по согласованию с заказчиком);
- Поставка специализированных компонентов военного и аэрокосмического уровня качества (Xilinx, Altera, Analog Devices, Intersil, Interpoint, Microsemi, Actel, Aeroflex, Peregrine, VPT, Syfer, Eurofarad, Texas Instruments, MS Kennedy, Miteq, Cobham, E2V, MA-COM, Hittite, Mini-Circuits, General Dynamics и др.);

Компания «Океан Электроники» является официальным дистрибьютором и эксклюзивным представителем в России одного из крупнейших производителей разъемов военного и аэрокосмического назначения «JONHON», а так же официальным дистрибьютором и эксклюзивным представителем в России производителя высокотехнологичных и надежных решений для передачи СВЧ сигналов «FORSTAR».



## JONHON

«JONHON» (основан в 1970 г.)

Разъемы специального, военного и аэрокосмического назначения:

(Применяются в военной, авиационной, аэрокосмической, морской, железнодорожной, горно- и нефтедобывающей отраслях промышленности)

«FORSTAR» (основан в 1998 г.)

ВЧ соединители, коаксиальные кабели, кабельные сборки и микроволновые компоненты:

(Применяются в телекоммуникациях гражданского и специального назначения, в средствах связи, РЛС, а так же военной, авиационной и аэрокосмической отраслях промышленности).



Телефон: 8 (812) 309-75-97 (многоканальный)

Факс: 8 (812) 320-03-32

Электронная почта: [ocean@oceanchips.ru](mailto:ocean@oceanchips.ru)

Web: <http://oceanchips.ru/>

Адрес: 198099, г. Санкт-Петербург, ул. Калинина, д. 2, корп. 4, лит. А