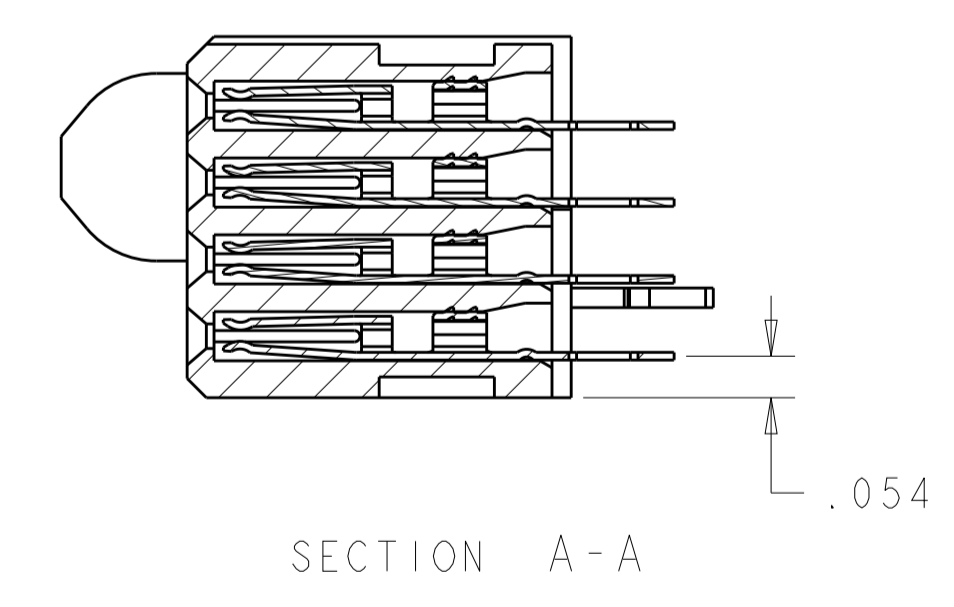
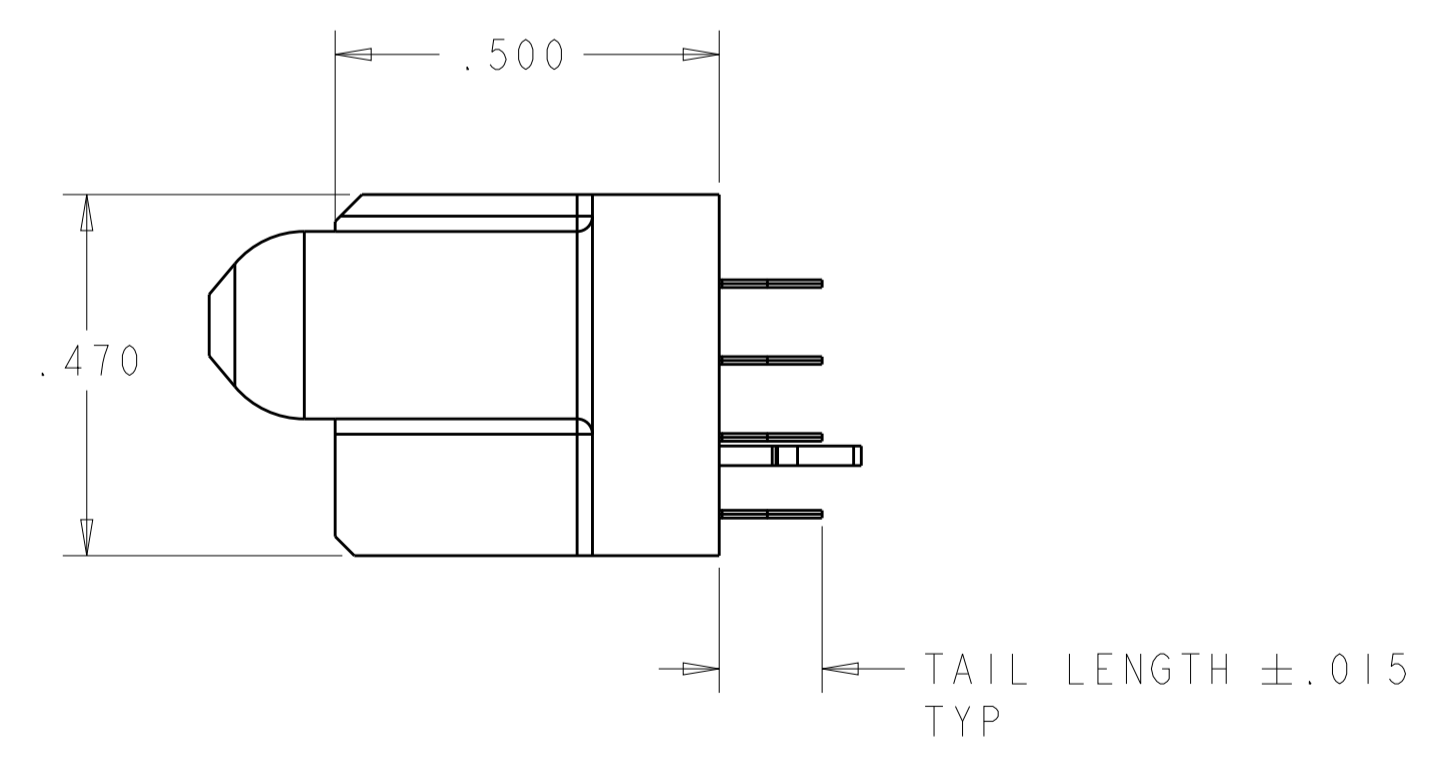
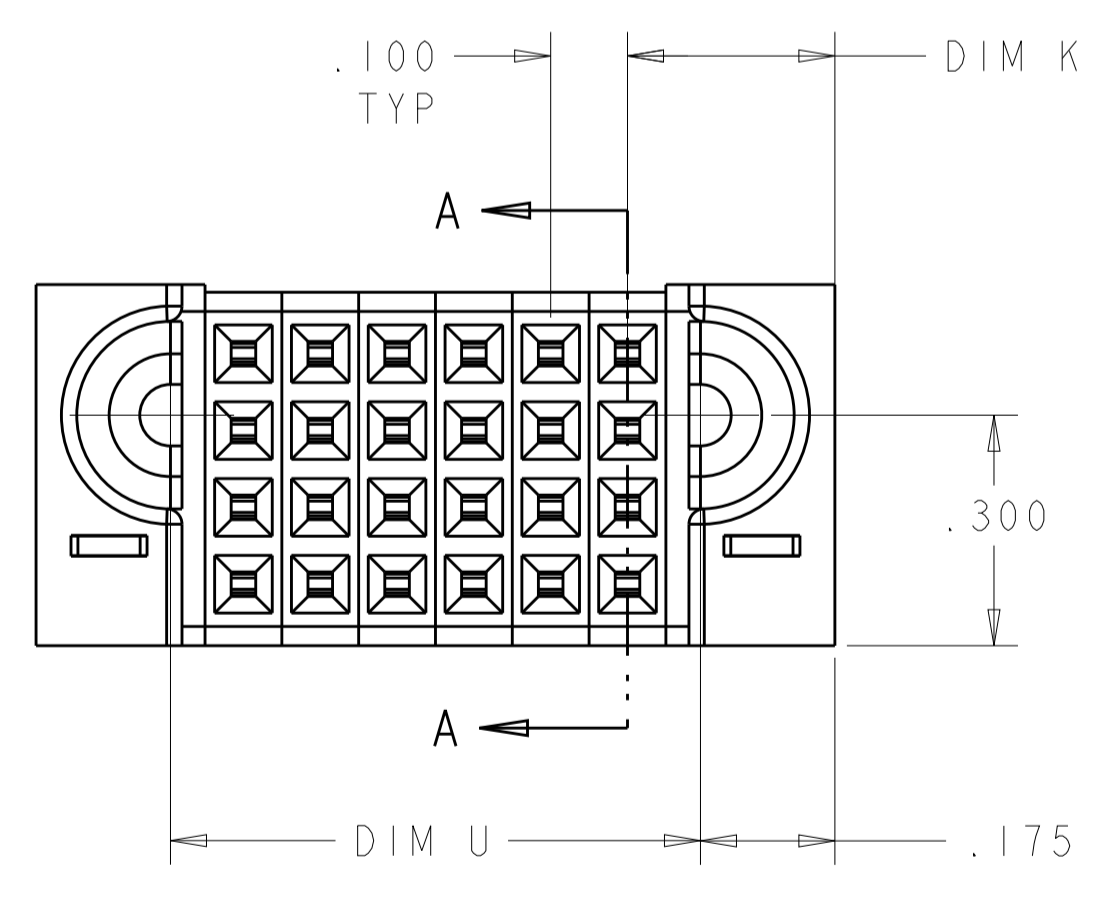
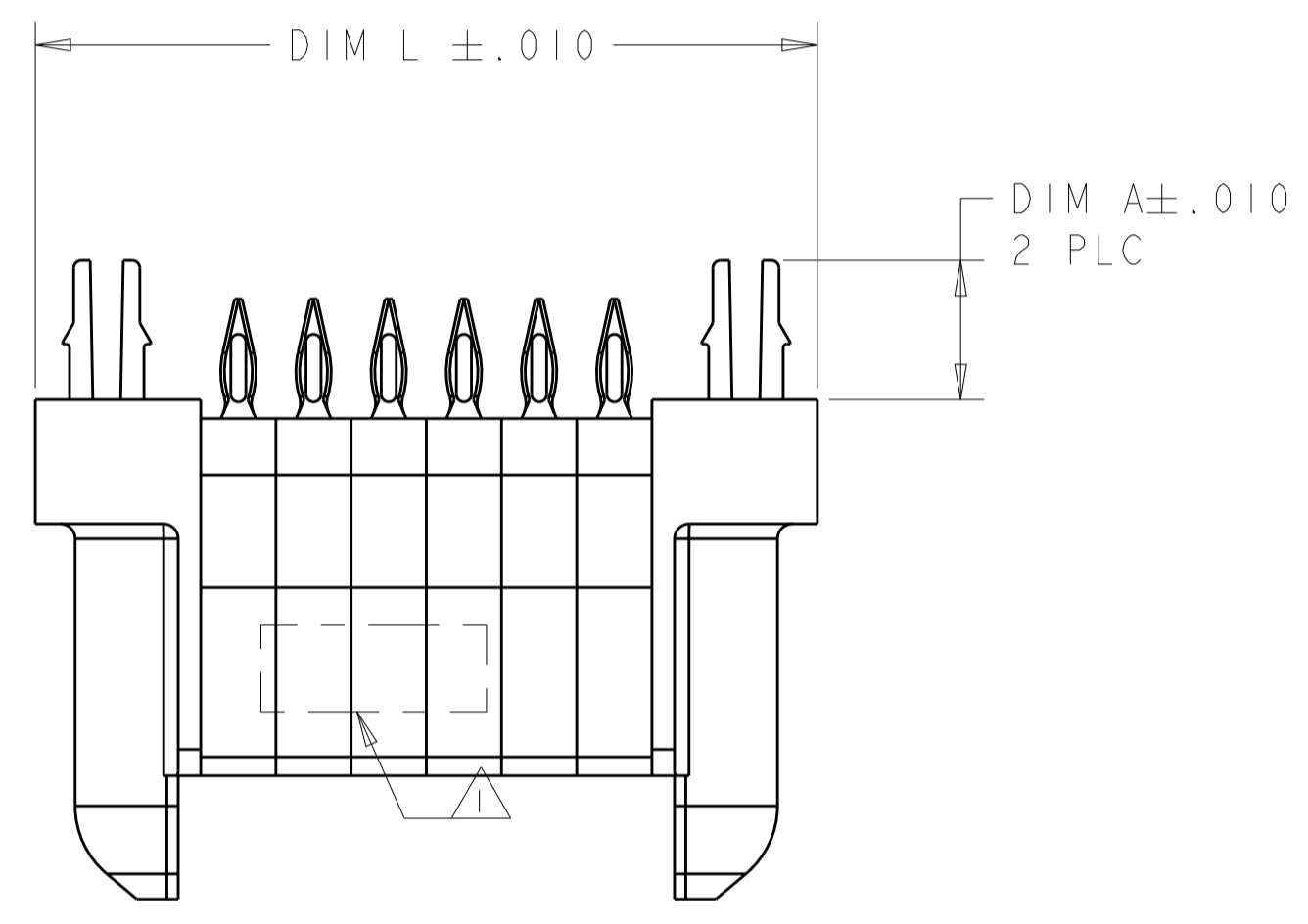
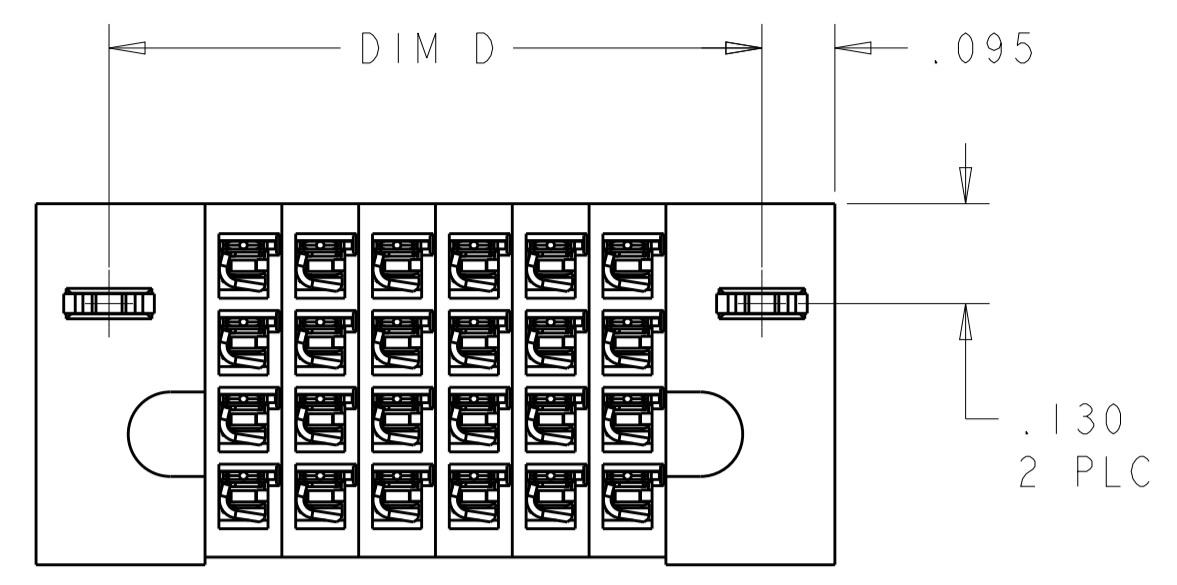


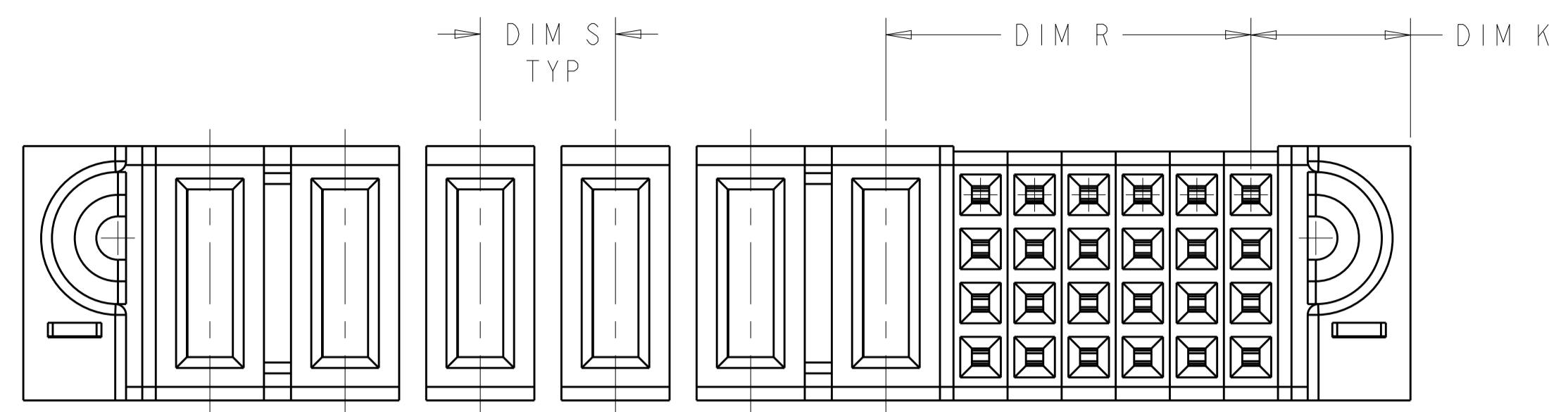
LOC	DIST	REVISIONS					
		P	LTN	DESCRIPTION	DATE	DMN	APVD
ES	00	G5		ADD NEW DASH NUMBER 1-8	11AUG2014	AL	SZ



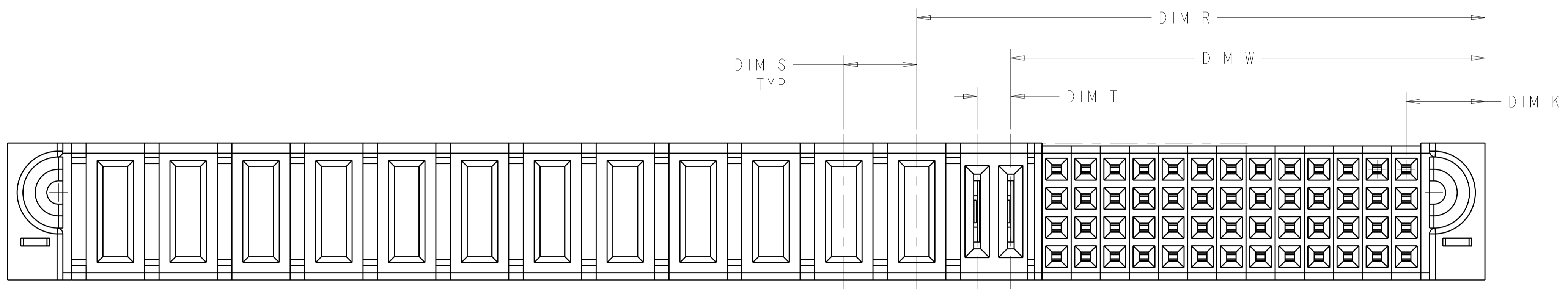
- 1 "AMP", PART NUMBER AND DATE CODE TO BE MARKED IN AREA SHOWN PARTS UNDER 2.00 LONG MAY BE MARKED ON BOTH SIDES
- 2 MATERIAL: HOUSING - GLASS FILLED HIGH TEMP THERMO PLASTIC, UL94 V-0  
 SIGNAL CONTACT - HIGH CONDUCTIVITY COPPER ALLOY  
 POWER CONTACT - HIGH CONDUCTIVITY COPPER ALLOY
- 3 CONTACT PLATING: NOBLE METAL PLATING ON CONTACT FUNCTIONAL AREA OF POWER AND SIGNAL CONTACTS
- 4 MECHANICAL CONNECTOR KEEP OUT ZONE
- 5 DATUM AND BASIC DIMENSIONS ESTABLISHED BY CUSTOMER
- 6 PCB - ALL HOLE DIAMETERS ARE FINISHED HOLE SIZES
- 7 PCB - 0.0453 ±.0010 DRILLED HOLES PLATED WITH .0003 MIN Sn OVER .001 TO .003 Cu PLATING TO ACHIEVE A .040 ±.0030 HOLE
- 8 FOR "S+P" CONFIGURATION ,VARIABLE DIMENSIONS PLEASE REFER TO SHEET 2
- 9 FOR "S+LP+P" CONFIGURATION ,VARIABLE DIMENSIONS PLEASE REFER TO SHEET 2
- 10 VARIABLE DIMENSION REFER TO THE DIMENSION ON CORRRESPONDING MODEL UNDER THE PCB

THIS DRAWING IS A CONTROLLED DOCUMENT.		DMN C. ZHOU CHK S. ZHAO	20JUN2012 20JUN2012	TE Connectivity
DIMENSIONS: INCHES	TOLERANCES UNLESS OTHERWISE SPECIFIED:	APVD	NAME	
0 PLC ±. 1 PLC ±. 2 PLC ±. 3 PLC ±.005 4 PLC ±.0020 ANGLES ±.7°	0 PLC ±. 1 PLC ±. 2 PLC ±. 3 PLC ±.005 4 PLC ±.0020 ANGLES ±.7°	PRODUCT SPEC 108-2292	APPLICATION SPEC	VERTICAL RECEPTACLE ASSEMBLY WITH SHORT GUIDE, PRESS FIT MULTI-BEAM XLE
MATERIAL	FINISH	SIZE	CAGE CODE	DRAWING NO
		RESTRICTED TO	A1	00779
Customer Drawing		SCALE	1:1	SHEET
		REV	G5	11

LOC		DIST		REVISIONS				
ES	00	P	LTN	DESCRIPTION	DATE	DMN	APVD	
		-		SEE SHEET 1				



△ FOR "S + P" CONFIGURATION  
 UNSPECIFIED DIMENSIONS REFER TO SHEET 1.



△ FOR "S + LP + P" CONFIGURATION  
 UNSPECIFIED DIMENSIONS REFER TO SHEET 1.

DIM A	DIM T	DIM W	DIM S	DIM R	DIM L	DIM U	DIM D	DIM K	DESCRIPTION	PART NUMBER
.185	-	-	-	-	1.640	1.290	1.450	.270	48S	1-6450861-8
.128	-	-	△	.475 △	1.990	1.640	1.800	.270	16S + 4P	1-6450861-7
.185	-	-	-	-	.840	.490	.650	.270	16S	1-6450861-6
.185	-	-	.200 △	.675 △	1.865	1.515	1.675	.270	24S + 4P	1-6450861-5
.185	-	-	-	-	2.140	1.790	1.950	.320	64S	1-6450861-4
.185	-	-	.250 △	.475 △	3.840	3.490	3.650	.295	16S + 12P	1-6450861-3
.185	-	-	.300 △	.875 △	2.465	2.115	2.275	.320	32S + 4ACP	1-6450861-2
.185	-	-	.250 △	.475 △	3.340	2.990	3.150	.295	16S + 10P	1-6450861-1
.185	-	-	.250 △	.675 △	2.040	1.690	1.850	.270	24S + 4P	6450861-9
.185	-	-	.250 △	.475 △	1.440	1.090	1.250	.320	16S + 2P	6450861-8
.185	.115 △	1.6275 △	.250 △	1.950 △	5.070	4.720	4.880	.270	52S + 2LP + 12P	6450861-6
.185	-	-	.250 △	.675 △	3.065	2.715	2.875	.295	24S + 8P	6450861-5
.185	-	-	.250 △	.675 △	2.565	2.215	2.375	.295	24S + 6P	6450861-4
.185	-	-	.250 △	.675 △	2.565	2.215	2.375	.295	24S + 6P	6450861-3
.185	-	-	-	-	2.240	1.890	2.050	.270	72S	6450861-2
.185	-	-	-	-	1.040	.690	.850	.270	24S	6450861-1

THIS DRAWING IS A CONTROLLED DOCUMENT.

DMN: C. ZHOU, 08082008  
 CHK: S. ZHAO, 08082008

APVD: S. YAO

NAME: VERVIEWAREBERSSEMBLY

PRODUCT SPEC: 108-2292

APPLICATION SPEC: 114-13058

SIZE: A1, CAGE CODE: 6450861

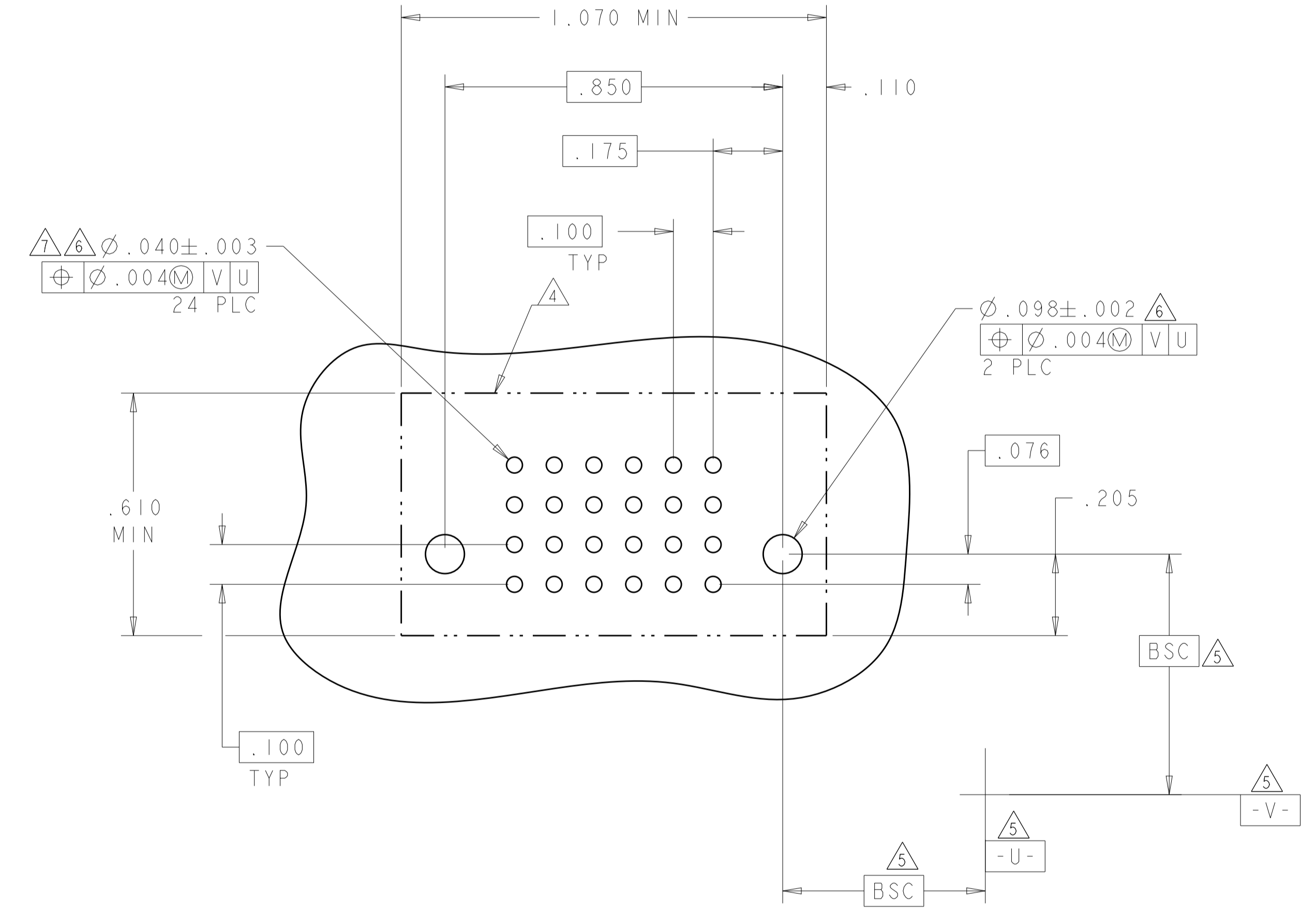
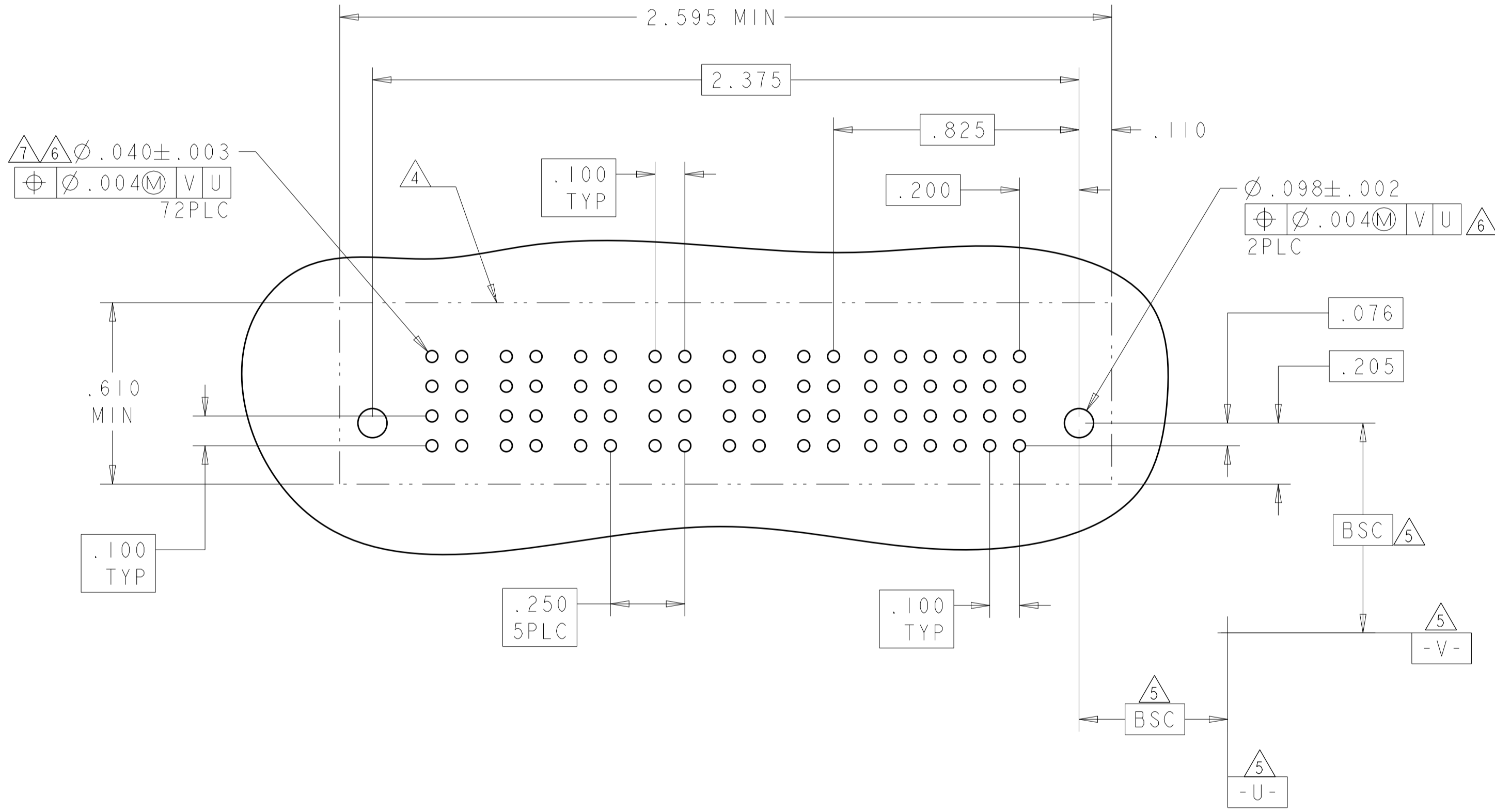
SCALE: 4:1, SHEET: 2 OF 11, REV: 66

CUSTOMER DRAWING

LOC	DIST	REVISIONS			
P	LTN	DESCRIPTION	DATE	DMN	APVD
ES	00	SEE SHEET 1			

PART NUMBER	ROWS	POWER					SIGNAL						
		P6	P5	P4	P3	P2	P1	6	5	4	3	2	1
6450861-3	D C B A	GS	GS	GS	GS	GS	AP	AP	AP	AP	AP	AP	
							AP	AP	AP	AP	AP	AP	AP
							AP	AP	AP	AP	AP	AP	AP
24S + 6P		HD											HD

PART NUMBER	ROWS	SIGNAL					
		6	5	4	3	2	1
6450861-1	D C B A	AP	AP	AP	AP	AP	AP
		AP	AP	AP	AP	AP	AP
		AP	AP	AP	AP	AP	AP
		AP	AP	AP	AP	AP	AP
24S		HD					HD



CODE	CONTACT TABLE
HS	STD POWER PRESS FIT CONTACT .165"
BP	SIGNAL PRESS FIT CONTACT .165"
AP	SIGNAL PRESS FIT CONTACT .135"
GP	MFBL POWER PRESS FIT CONTACT .135"
GS	STD POWER PRESS FIT CONTACT .135"
CODE	TAIL LENGTH

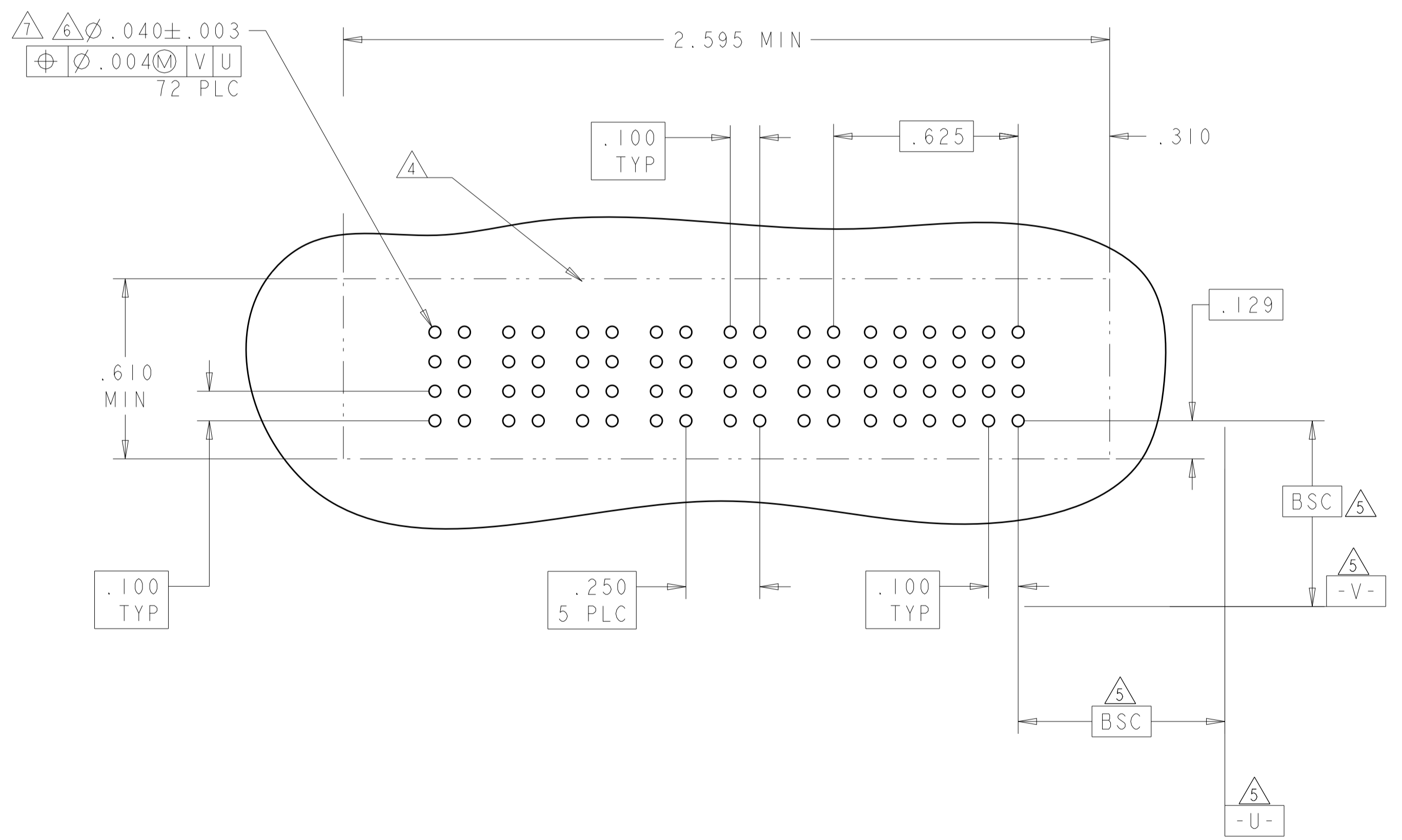
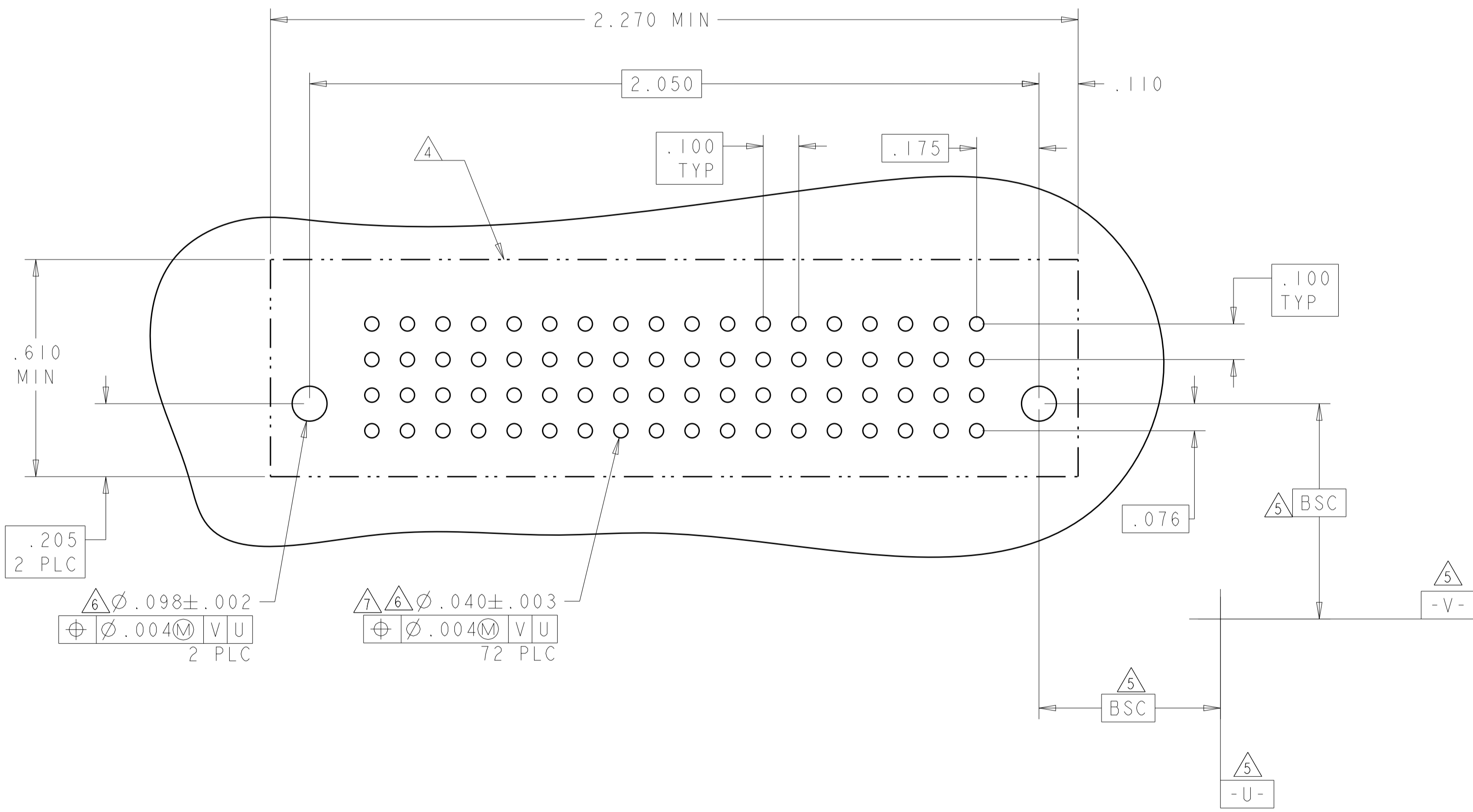
THIS DRAWING IS A CONTROLLED DOCUMENT.

DIMENSIONS: INCHES 	TOLERANCES UNLESS OTHERWISE SPECIFIED: 0 PLC ±. 1 PLC ±.01 2 PLC ±.01 3 PLC ±.005 4 PLC ±.002 ANGLES ±.020	DWG: C.ZHOU CHK: S.ZHAO APVD: S.YAO PRODUCT SPEC: 108-2292 APPLICATION SPEC: 114-1305B WEIGHT: - CUSTOMER DRAWING	BOMN2008 BOMN2008 NAME: VERVE GABE REPER S&CMB ASSEMBLY W/ WITH HS FOR TO LOUDEDSE, PRESSSS FRITT MULTI-MELAM-HELEAM XLE SIZE: 100779 CAGE CODE: 6450861 SCALE: 4:1 SHEET: 3 OF 11 REV: G5	TE Connectivity
---------------------------	--	---	---	-----------------

LOC	DIST	REVISIONS			
ES	00	REV	DATE	BY	APPV
		1	SEE SHEET 1		

PART NUMBER	ROWS	SIGNAL																	
		18	17	16	15	14	13	12	11	10	9	8	7	6	5	4	3	2	1
6450861-2	D C B A	AP	AP	AP	AP	AP	AP	AP	AP	AP	AP	AP	AP	AP	AP	AP	AP	AP	AP
		AP	AP	AP	AP	AP	AP	AP	AP	AP	AP	AP	AP	AP	AP	AP	AP	AP	AP
		AP	AP	AP	AP	AP	AP	AP	AP	AP	AP	AP	AP	AP	AP	AP	AP	AP	AP
		AP	AP	AP	AP	AP	AP	AP	AP	AP	AP	AP	AP	AP	AP	AP	AP	AP	AP
72S																			

PART NUMBER	ROWS	POWER						SIGNAL					
		P6	P5	P4	P3	P2	P1	6	5	4	3	2	1
6450861-4	D C B A	GS	GS	GS	GS	GS	GS	AP	AP	AP	AP	AP	AP
		GS	GS	GS	GS	GS	GS	AP	AP	AP	AP	AP	AP
		GS	GS	GS	GS	GS	GS	AP	AP	AP	AP	AP	AP
		GS	GS	GS	GS	GS	GS	AP	AP	AP	AP	AP	AP
24S + 6P													

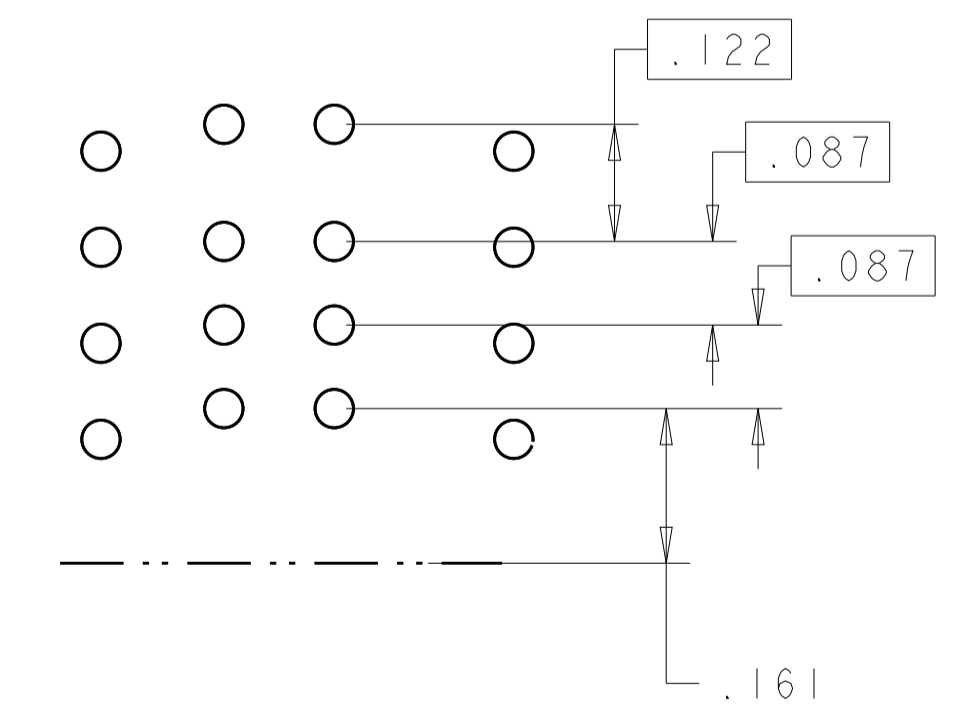
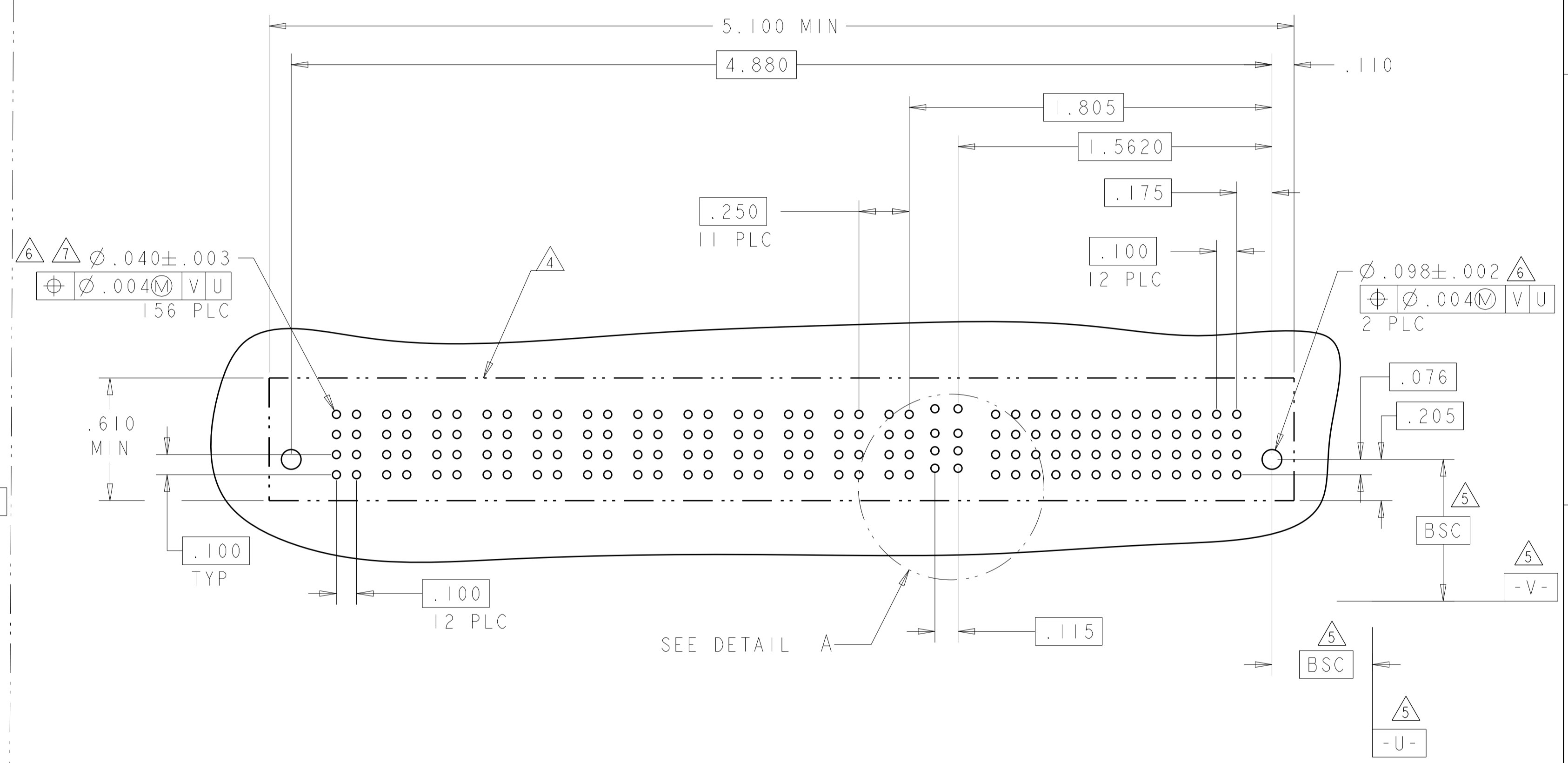
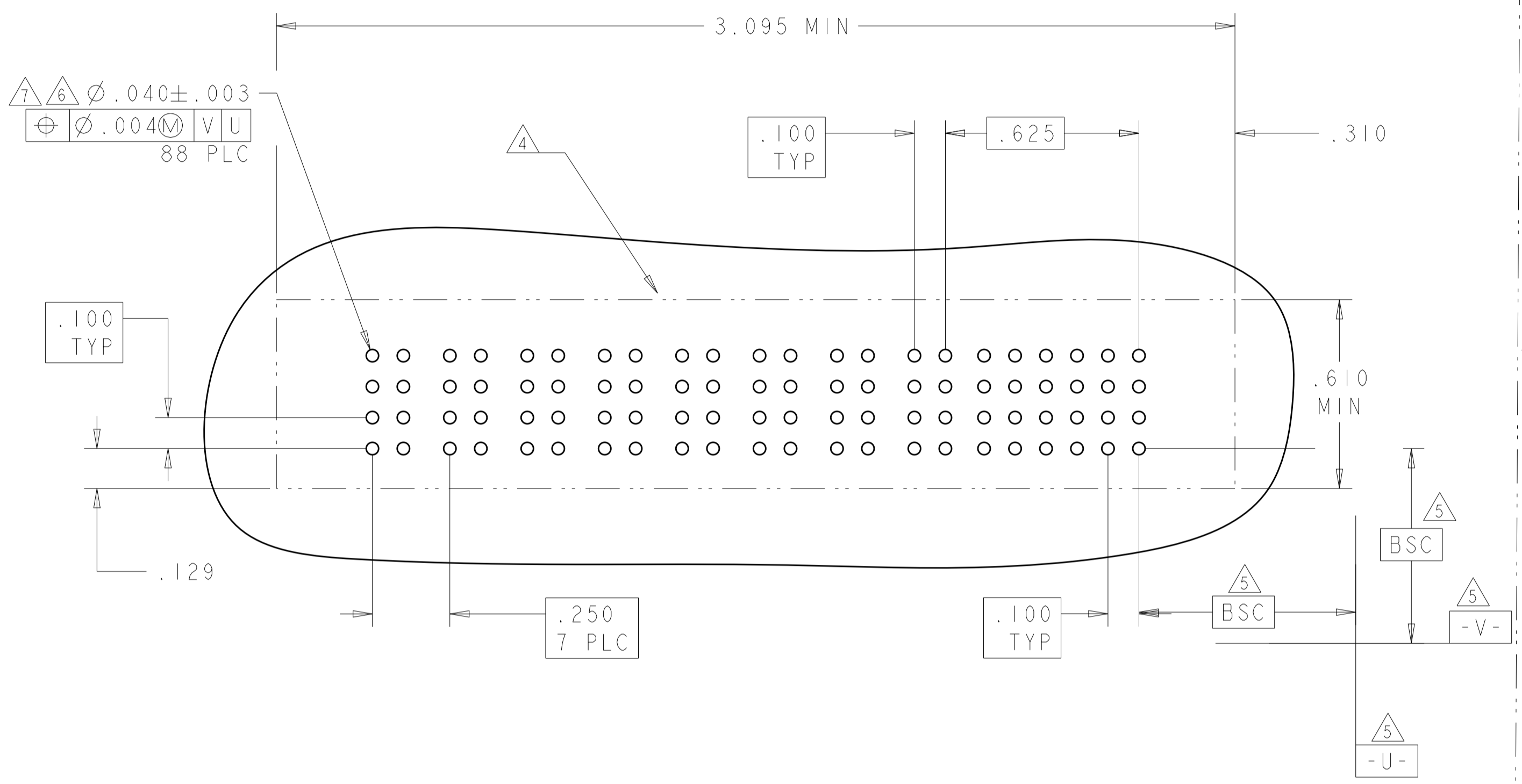


THIS DRAWING IS A CONTROLLED DOCUMENT.		OWN: C. ZHOU	80802008	<b>STE</b> TE Connectivity
DIMENSIONS: INCHES		CHK: S. ZHAO	80802008	
TOLERANCES UNLESS OTHERWISE SPECIFIED:		APVD: S. YAO		VERVE GABE REVERSE SMD ASSEMBLY W/ WITH HS FOR TO GOLDEN, PRESSURE FIT MULTI-LEVEL M-LEVEL XLE
0 PLC ±.01		PRODUCT SPEC		
1 PLC ±.01		108-2292		
2 PLC ±.01		APPLICATION SPEC		
3 PLC ±.005		114-13058		SIZE: A1
4 PLC ±.002		WEIGHT		CAGE CODE: 6450861
ANGLES: ±2°		CUSTOMER DRAWING		SCALE: 4:1
MATERIAL: -				SHEET 4 OF 11
FINISH: -				REV: 66

LOC	DIST	REVISIONS			
P	LTN	DESCRIPTION	DATE	DMN	APVD
-	-	SEE SHEET 1	-	-	-

PART NUMBER	ROWS	POWER								SIGNAL					
		P8	P7	P6	P5	P4	P3	P2	P1	6	5	4	3	2	1
6450861-5	D C B A	GS	GS	GS	GS	GS	GS	GS	GS	AP	AP	AP	AP	AP	AP
		GS	GS	GS	GS	GS	GS	GS	GS	AP	AP	AP	AP	AP	AP
		GS	GS	GS	GS	GS	GS	GS	GS	AP	AP	AP	AP	AP	AP
24S + 8P															

PART NUMBER	ROWS	POWER												SIGNAL															
		P12	P11	P10	P9	P8	P7	P6	P5	P4	P3	P2	P1	LP2	LPI	13	12	11	10	9	8	7	6	5	4	3	2	1	
6450861-6	D C B A	GS	GS	GS	GS	GS	GS	GS	GS	GS	GS	GS	GS	GS	LSI	LSI	AP	AP	AP	AP	AP	AP	AP	AP	AP	AP	AP	AP	AP
		GS	GS	GS	GS	GS	GS	GS	GS	GS	GS	GS	GS	GS	LSI	LSI	AP	AP	AP	AP	AP	AP	AP	AP	AP	AP	AP	AP	AP
		GS	GS	GS	GS	GS	GS	GS	GS	GS	GS	GS	GS	GS	LSI	LSI	AP	AP	AP	AP	AP	AP	AP	AP	AP	AP	AP	AP	AP
52S + 2LP + 12P																													



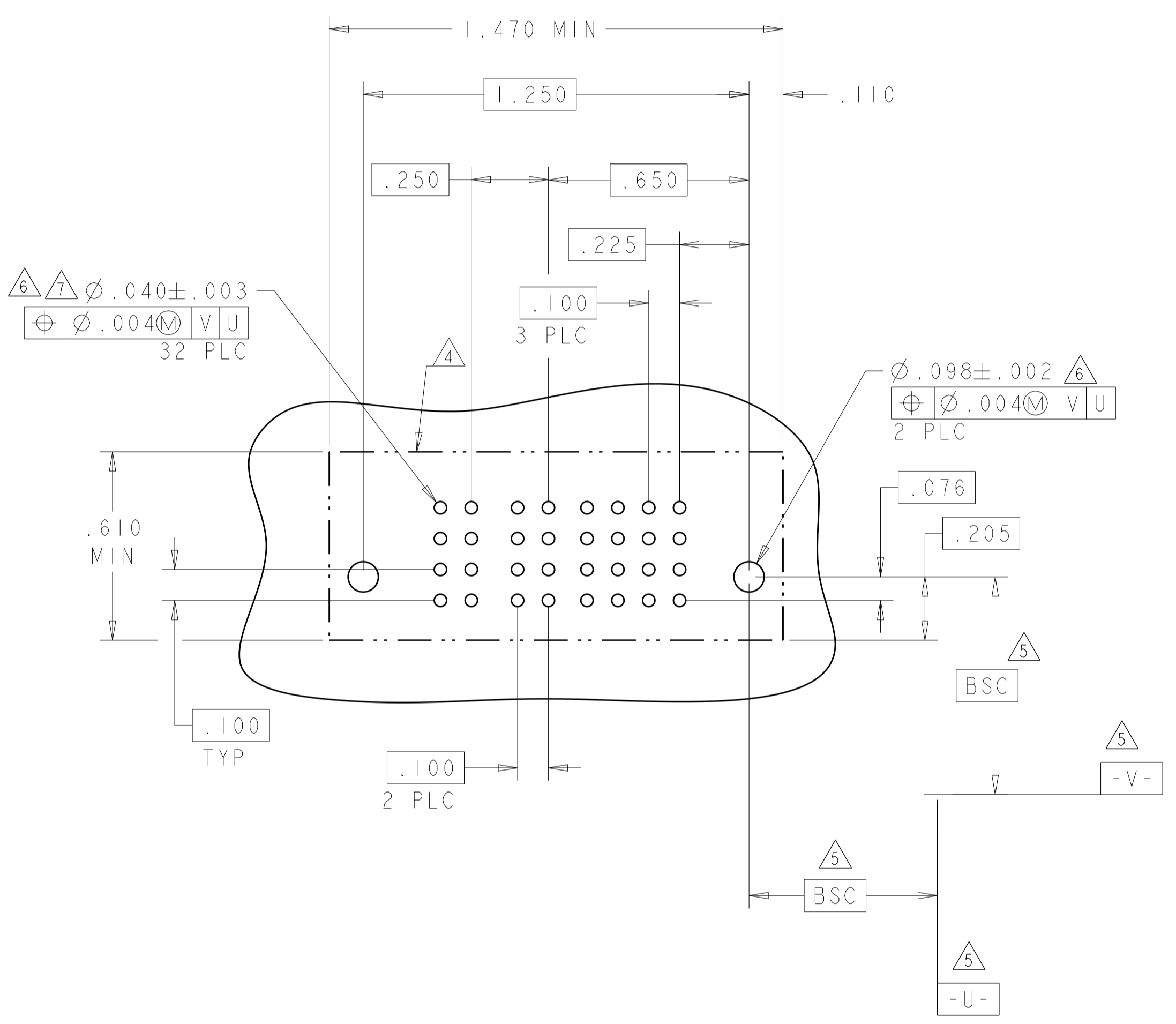
DETAIL A  
SCALE 5:1

THIS DRAWING IS A CONTROLLED DOCUMENT.		DMN C. ZHOU	88MNR2008	<b>STE</b> TE Connectivity
DIMENSIONS: INCHES		CHK S. ZHAO	88MNR2008	
TOLERANCES UNLESS OTHERWISE SPECIFIED:		APVD S. YAO	NAME	VERVIEW REVERSE S&CMB ASSEMBLY
0 PLC ± .01		PRODUCT SPEC	108-2292	W/ WITH IS FOR TO LOUDEDSE, HRESSS FRIT
1 PLC ± .01		APPLICATION SPEC	114-13098	MULTI-MELEM-HELEAM XLE
2 PLC ± .005		SIZE	114-13098	
3 PLC ± .002		WEIGHT	A100779	C=6450861
4 PLC ± .002		SCALE	4:1	SHEET 5 OF 11
ANGLES ± .2°		CUSTOMER DRAWING		REV 66

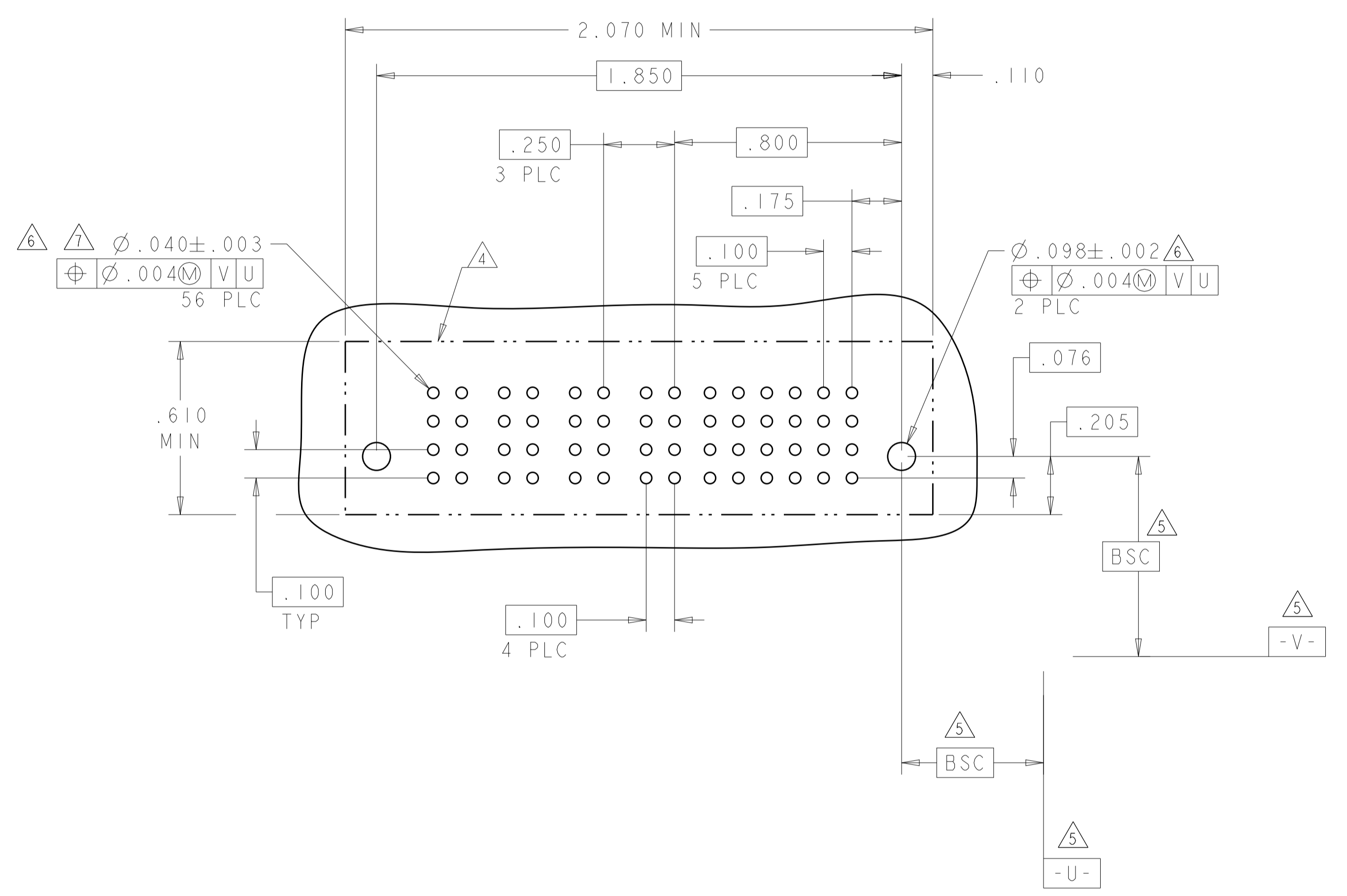
LOC		DIST		REVISIONS			
ES	00	P	LTH	DESCRIPTION	DATE	DWN	APVD
-	-	-	-	SEE SHEET 1	-	-	-

PART NUMBER	ROWS	POWER		SIGNAL				HD	HD
		P2	P1	4	3	2	1		
6450861-8	D C B A	GS	GS	AP	AP	AP	AP	HD	HD
				AP	AP	AP	AP		
				AP	AP	AP	AP		
				AP	AP	AP	AP		
16S + 2P									

PART NUMBER	ROWS	POWER				SIGNAL					HD	HD	
		P4	P3	P2	P1	6	5	4	3	2			1
6450861-9	D C B A	GP	GP	GP	GP	AP	AP	AP	AP	AP	AP	HD	HD
						AP	AP	AP	AP	AP	AP		
						AP	AP	AP	AP	AP	AP		
						AP	AP	AP	AP	AP	AP		
24S + 4P													



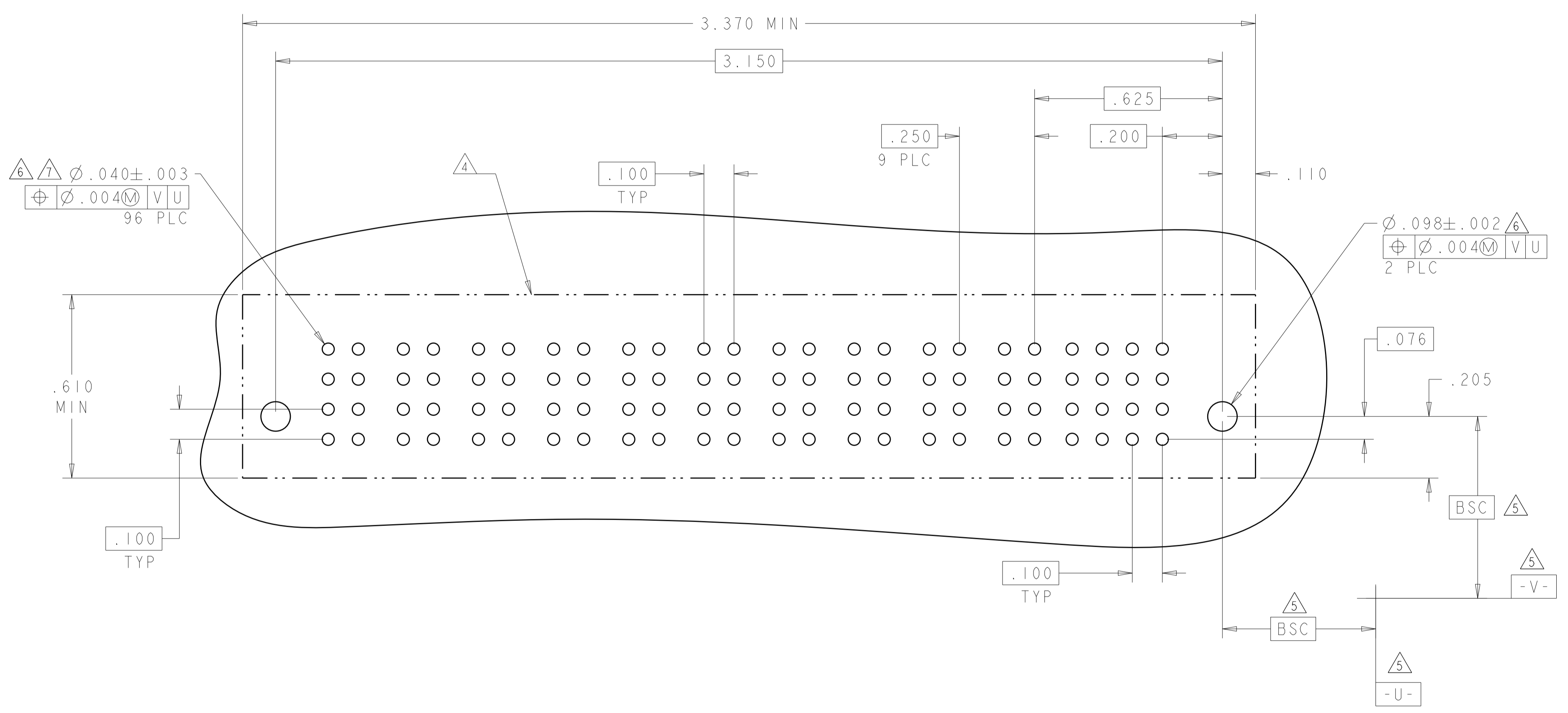
(F)



THIS DRAWING IS A CONTROLLED DOCUMENT.		DWN: C.ZHOU	808082008		TE Connectivity
DIMENSIONS: INCHES		CHK: S.ZHAO	808082008		NAME: VERVIEWBAREBERSSEMBASSEMBLY
TOLERANCES UNLESS OTHERWISE SPECIFIED:		APVD: S.YAO	-	PRODUCT SPEC: 108-2292	
0 PLC ±.01		APPLICATION SPEC: 114-13058		MULTI-MATERIAL RELEASE XLE	
1 PLC ±.01		SIZE: A1		CAGE CODE: 6450861	
2 PLC ±.01		WEIGHT: -		RESTRICTED TO: -	
3 PLC ±.005		CUSTOMER DRAWING		SCALE: 4:1	
4 PLC ±.002		SHEET: 6		OF: 11	
ANGLES: ±.2°		REV: 66		DATE: -	
FINISH: -		REV: 66		DATE: -	

LOC	DIST	REVISIONS			
P	LTN	DESCRIPTION	DATE	DMN	APVD
ES	00	SEE SHEET 1			

PART NUMBER	ROWS	POWER										SIGNAL			
		P10	P9	P8	P7	P6	P5	P4	P3	P2	P1	4	3	2	1
I-6450861-1	D C B A	GS	GS	GS	GS	GS	GS	GS	GS	GS	GS	AP	AP	AP	AP
		GS	GS	GS	GS	GS	GS	GS	GS	GS	GS	AP	AP	AP	AP
		GS	GS	GS	GS	GS	GS	GS	GS	GS	GS	AP	AP	AP	AP
		GS	GS	GS	GS	GS	GS	GS	GS	GS	GS	AP	AP	AP	AP
16S + 10P															

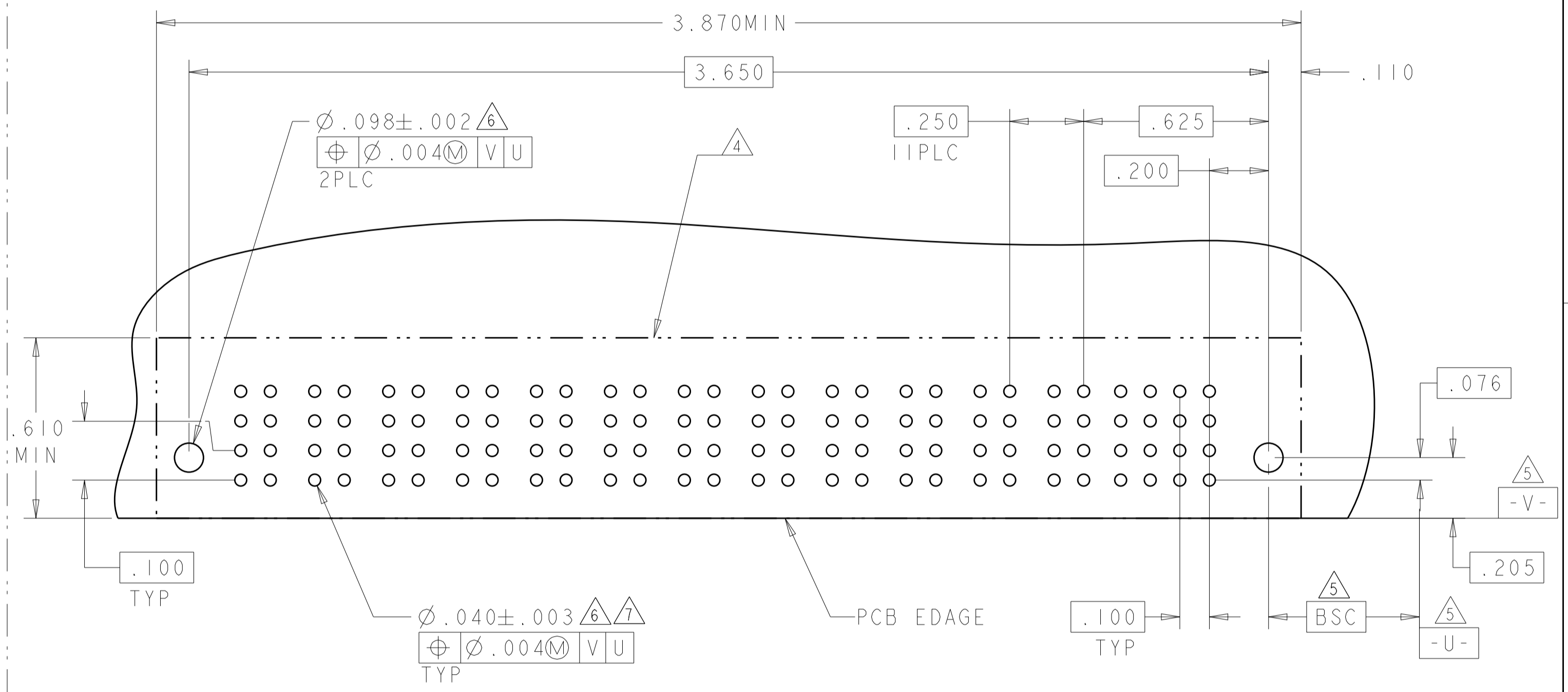
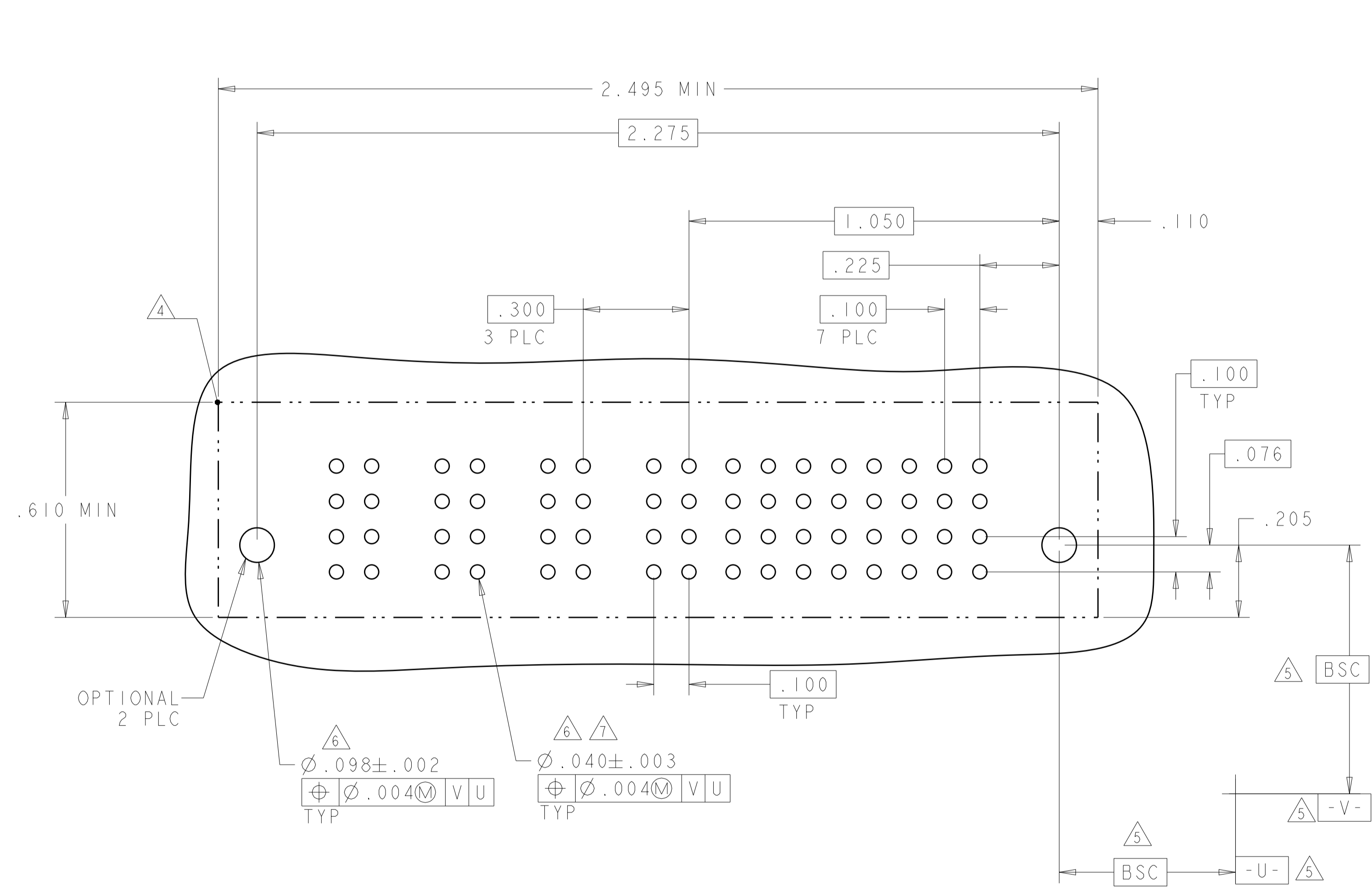


THIS DRAWING IS A CONTROLLED DOCUMENT.		DMN: C.ZHOU	88MNR2008	 TE Connectivity
DIMENSIONS: INCHES		CHK: S.ZHAO	88MNR2008	
TOLERANCES UNLESS OTHERWISE SPECIFIED:		APVD: S.YAO		NAME: VERVIEWBAREPERS&CMBASSEMBLY
0 PLC	±	PRODUCT SPEC		W/TH HSK FOR TIG WELDING, PRESSURE FIT
1 PLC	±.01	108-2292		MULTI-MATERIAL XLE
2 PLC	±.05	APPLICATION SPEC		
3 PLC	±.0020	114-13058		
4 PLC	±.0020	WEIGHT		
ANGLES	±2°	SCALE	4:1	
FINISH		SHEET	7	
MATERIAL		CUSTOMER DRAWING		
		SIZE	A1	
		DRAWING NO	00779	
		REV	66	

LOC		DIST		REVISIONS			
ES	00	P	LTN	DESCRIPTION	DATE	DMN	APVD
		-		SEE SHEET 1			

PART NUMBER	ROWS	POWER				SIGNAL								
		P4	P3	P2	P1	8	7	6	5	4	3	2	1	
1-6450861-2	D C B A	GP	GP	GP	GP	AP	AP	AP	AP	AP	AP	AP	AP	AP
		GP	GP	GP	GP	AP	AP	AP	AP	AP	AP	AP	AP	
		GP	GP	GP	GP	AP	AP	AP	AP	AP	AP	AP	AP	
		GP	GP	GP	GP	AP	AP	AP	AP	AP	AP	AP	AP	
32S + 4ACP														

PART NUMBER	ROWS	POWER												SIGNAL				
		P12	P11	P10	P9	P8	P7	P6	P5	P4	P3	P2	P1	4	3	2	1	
1-6450861-3	D C B A	GS	GS	GS	GS	GS	GS	GS	GS	GS	GS	GS	GS	GS	GS	GS	GS	GS
		GS	GS	GS	GS	GS	GS	GS	GS	GS	GS	GS	GS	GS	GS	GS	GS	GS
		GS	GS	GS	GS	GS	GS	GS	GS	GS	GS	GS	GS	GS	GS	GS	GS	GS
		GS	GS	GS	GS	GS	GS	GS	GS	GS	GS	GS	GS	GS	GS	GS	GS	GS
16S + 12P																		



RECOMMENDED PCB LAYOUT

THIS DRAWING IS A CONTROLLED DOCUMENT.		DMN C. ZHOU 20JUN2012	NAME	TE Connectivity VERTICAL RECEPTACLE ASSEMBLY WITH SHORT GUIDE, PRESS FIT MULTI-BEAM XLE
DIMENSIONS: INCHES		CHK S. ZHAO 20JUN2012	APVD	
TOLERANCES UNLESS OTHERWISE SPECIFIED:		PRODUCT SPEC	RESTRICTED TO	
0 PLC ±. 1 PLC ±. 2 PLC ±. 3 PLC ±.005 4 PLC ±.0020 ANGLES ±.2°		APPLICATION SPEC	SIZE	
MATERIAL		114-13251	CAGE CODE	
FINISH		WEIGHT	DRAWING NO	
		Customer Drawing	A100779C=6450861	REV G5
		SCALE	SHEET	OF
		1:1	8	11

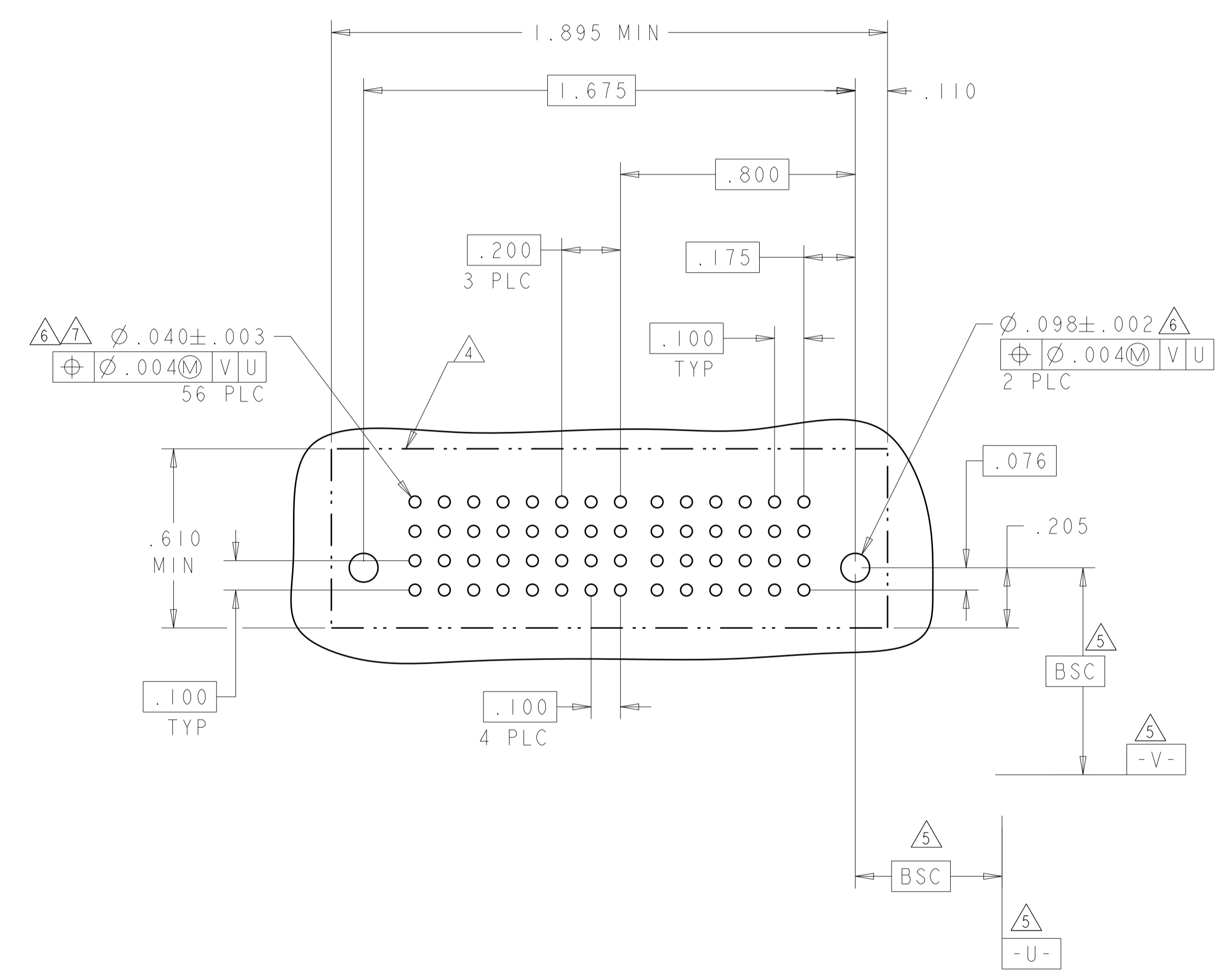
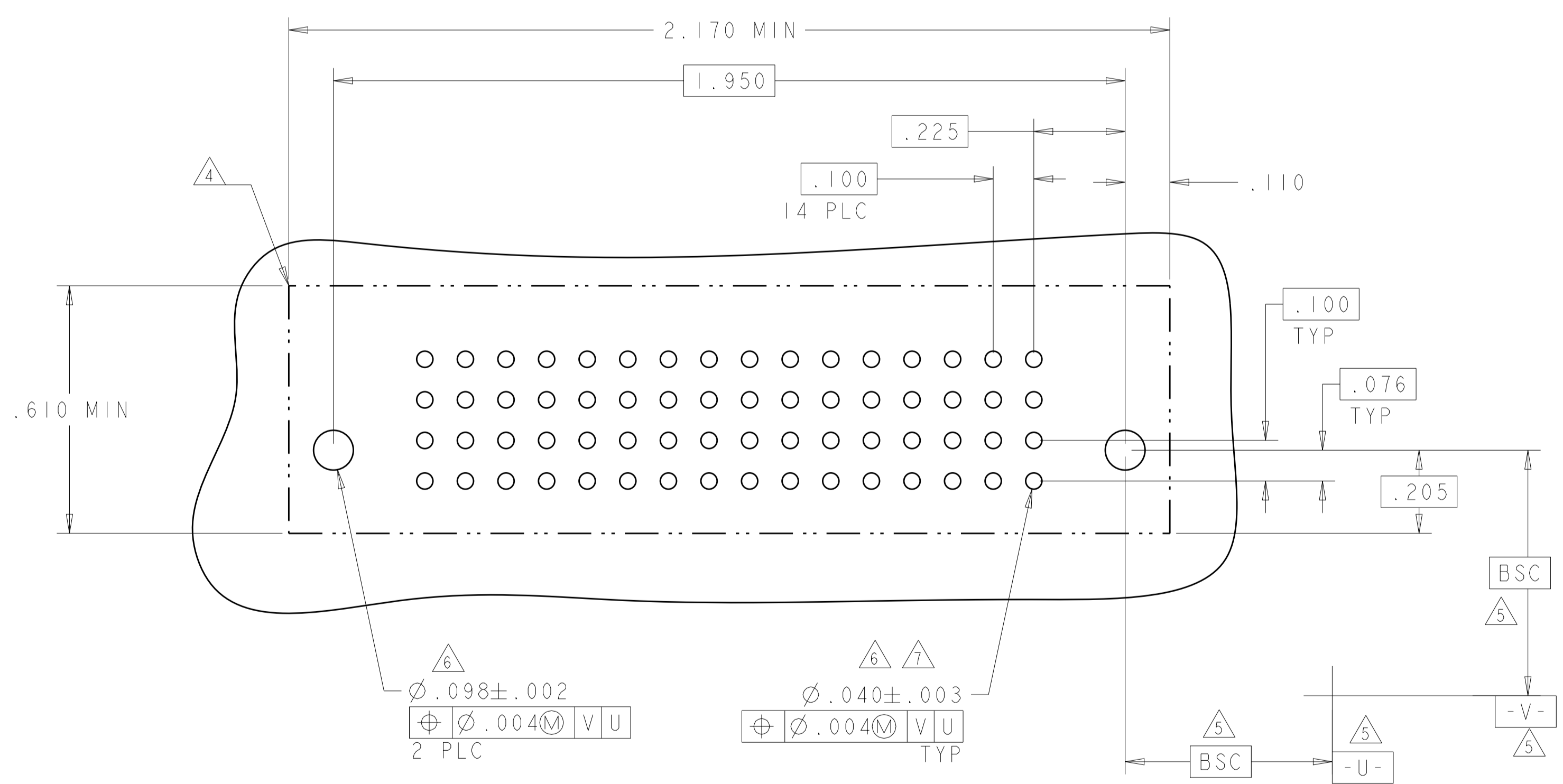


LOC		DIST		REVISIONS			
ES	00	P	LTN	DESCRIPTION	DATE	DWN	APVD
		-		SEE SHEET 1			

F6

PART NUMBER	ROWS	SIGNAL															
		16	15	14	13	12	11	10	9	8	7	6	5	4	3	2	1
1-6450861-4	D	BP	BP	BP	BP	BP	BP	BP	BP	BP	BP	BP	BP	BP	BP	BP	
	C	BP	BP	BP	BP	BP	BP	BP	BP	BP	BP	BP	BP	BP	BP	BP	
	B	BP	BP	BP	BP	BP	BP	BP	BP	BP	BP	BP	BP	BP	BP	BP	
	A	BP	BP	BP	BP	BP	BP	BP	BP	BP	BP	BP	BP	BP	BP	BP	
64S		HD															HD

PART NUMBER	ROWS	POWER				SIGNAL					
		P4	P3	P2	P1	6	5	4	3	2	1
1-6450861-5	D					AP	AP	AP	AP	AP	AP
	C					AP	AP	AP	AP	AP	AP
	B	GS	GS	GS	GS	AP	AP	AP	AP	AP	AP
	A	HD				AP	AP	AP	AP	AP	AP
24S + 4P											



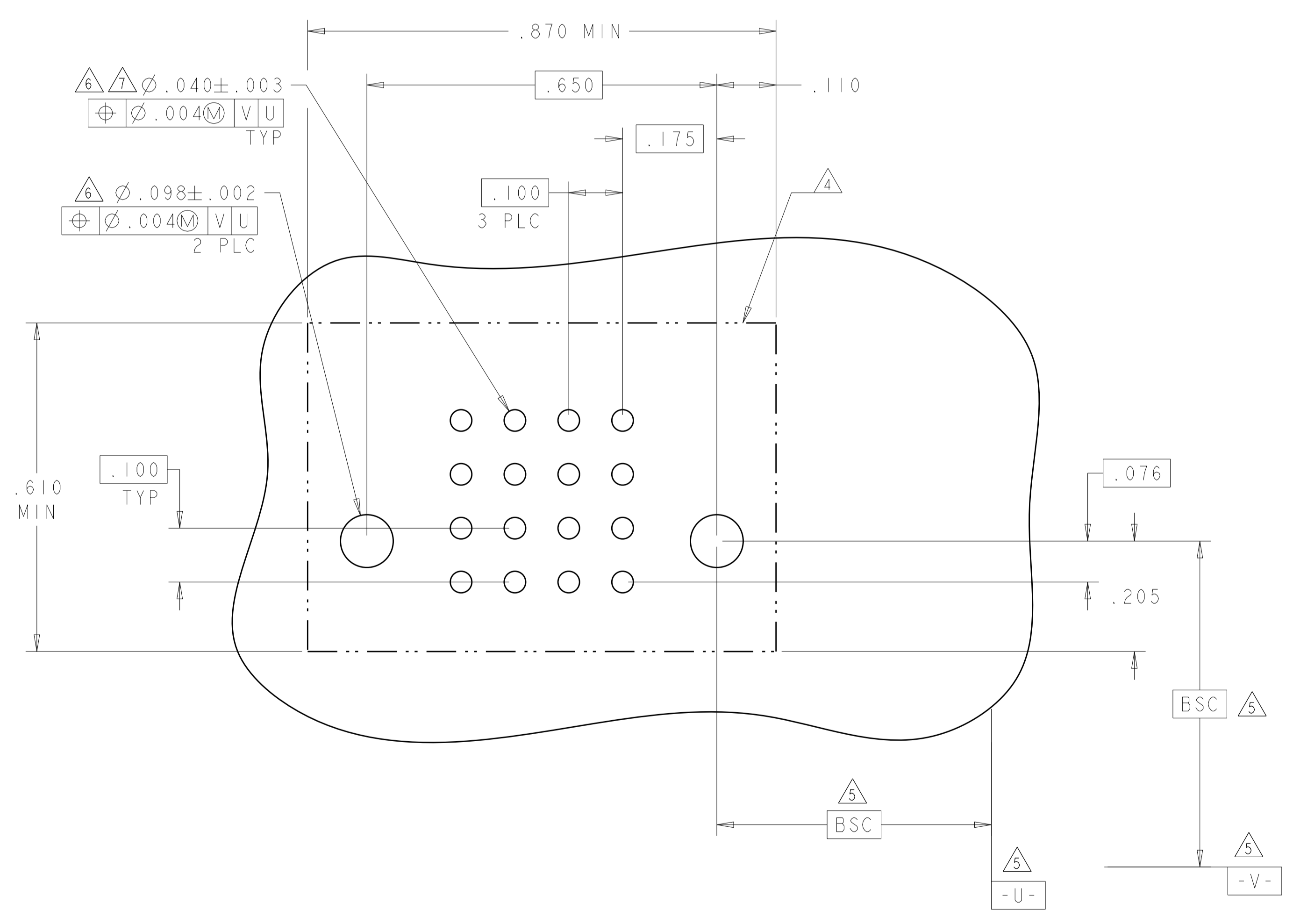
THIS DRAWING IS A CONTROLLED DOCUMENT.		DWN C. ZHOU CHK S. ZHAO	20JUN2012 20JUN2012	TE Connectivity
DIMENSIONS: INCHES	TOLERANCES UNLESS OTHERWISE SPECIFIED:	APVD	NAME	
0 PLC ± 1 PLC ± 2 PLC ± 3 PLC ±.005 4 PLC ±.0020 ANGLES ±.7° FINISH	PRODUCT SPEC 108-2292 APPLICATION SPEC 114-13251 WEIGHT	VERTICAL RECEPTACLE ASSEMBLY WITH SHORT GUIDE, PRESS FIT MULTI-BEAM XLE		
MATERIAL	Customer Drawing	SCALE 1:1	SHEET 9 OF 11	REV G5

LOC		DIST		REVISONS			
ES	00	P	LTN	DESCRIPTION	DATE	DMN	APVD
		-		SEE SHEET 1			

PART NUMBER	ROWS	SIGNAL			
		4	3	2	1
1-6450861-6	D	AP	AP	AP	AP
	C	AP	AP	AP	AP
	B	AP	AP	AP	AP
	A	AP	AP	AP	AP

16S

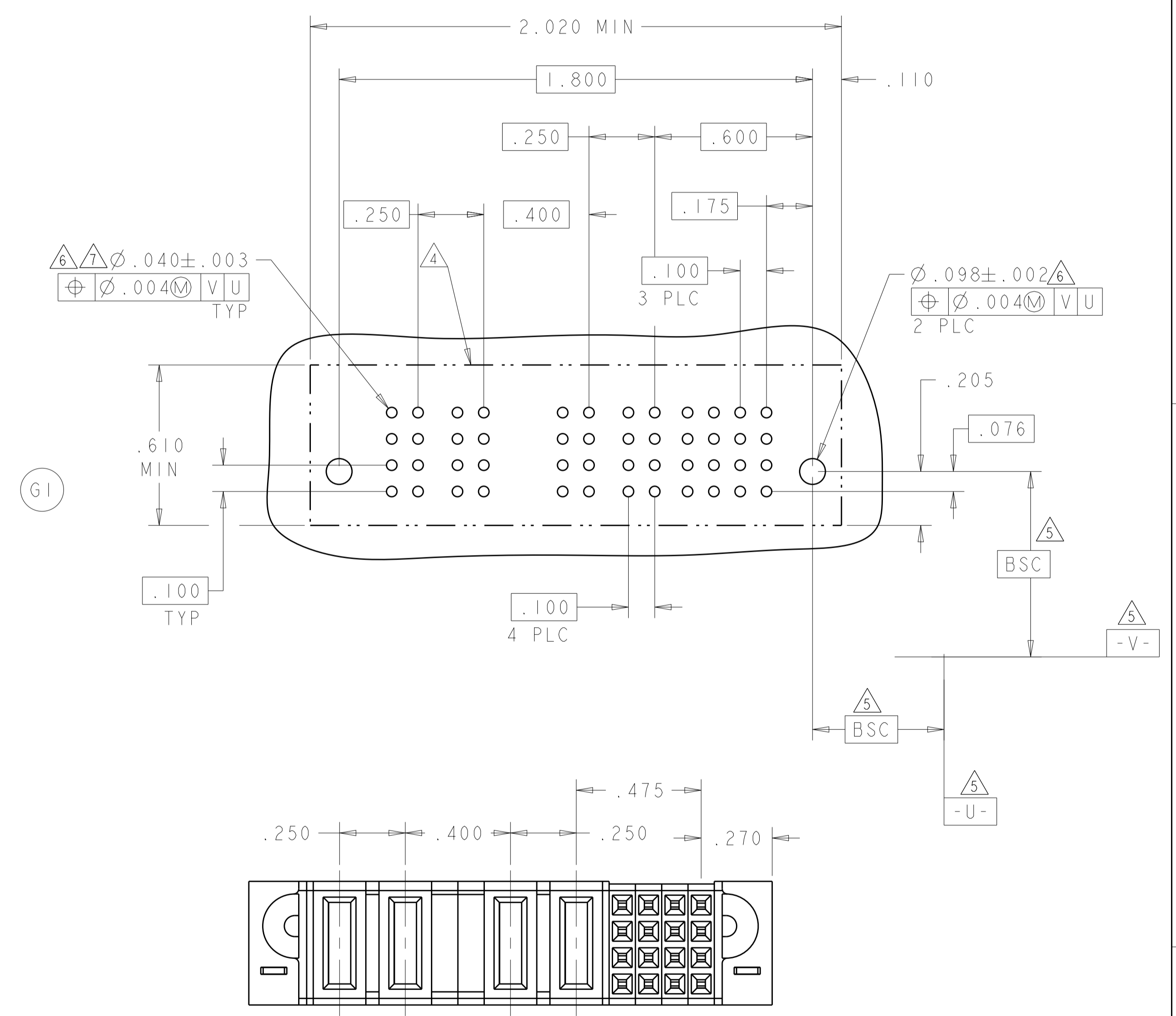
F9



PART NUMBER	ROWS	POWER					SIGNAL			
		P4	P3	-	P2	P1	4	3	2	1
1-6450861-7	D	VS	VS	-	VS	VS	P	P	P	P
	C	VS	VS	-	VS	VS	P	P	P	P
	B	VS	VS	-	VS	VS	P	P	P	P

16S + 4P

NO CONTACT LOADED



PART 1-6450861-7

HD	HOLD DOWN
P	SIGNAL PRESS FIT CONTACT .115"
VS	STD POWER PRESS FIT CONTACT .115"
CODE	TAIL LENGTH
CONTACT TABLE	

THIS DRAWING IS A CONTROLLED DOCUMENT. DWN: C. ZHOU 20JUN2012  
 CHK: S. ZHAO 20JUN2012

DIMENSIONS: INCHES	TOLERANCES UNLESS OTHERWISE SPECIFIED:	PRODUCT SPEC	NAME
0 PLC ±	1 PLC ±	108-2292	VERTICAL RECEPTACLE ASSEMBLY WITH SHORT GUIDE, PRESS FIT MULTI-BEAM XLE
2 PLC ±	3 PLC ± .005	APPLICATION SPEC	SIZE
4 PLC ± .0020	ANGLES ± .0020	114-13251	CAGE CODE DRAWING NO
MATERIAL	FINISH	WEIGHT	RESTRICTED TO
			A100779C=6450861

Customer Drawing SCALE 1:1 SHEET 10 OF 11 REV G5



Компания «Океан Электроники» предлагает заключение долгосрочных отношений при поставках импортных электронных компонентов на взаимовыгодных условиях!

Наши преимущества:

- Поставка оригинальных импортных электронных компонентов напрямую с производств Америки, Европы и Азии, а так же с крупнейших складов мира;
- Широкая линейка поставок активных и пассивных импортных электронных компонентов (более 30 млн. наименований);
- Поставка сложных, дефицитных, либо снятых с производства позиций;
- Оперативные сроки поставки под заказ (от 5 рабочих дней);
- Экспресс доставка в любую точку России;
- Помощь Конструкторского Отдела и консультации квалифицированных инженеров;
- Техническая поддержка проекта, помощь в подборе аналогов, поставка прототипов;
- Поставка электронных компонентов под контролем ВП;
- Система менеджмента качества сертифицирована по Международному стандарту ISO 9001;
- При необходимости вся продукция военного и аэрокосмического назначения проходит испытания и сертификацию в лаборатории (по согласованию с заказчиком);
- Поставка специализированных компонентов военного и аэрокосмического уровня качества (Xilinx, Altera, Analog Devices, Intersil, Interpoint, Microsemi, Actel, Aeroflex, Peregrine, VPT, Syfer, Eurofarad, Texas Instruments, MS Kennedy, Miteq, Cobham, E2V, MA-COM, Hittite, Mini-Circuits, General Dynamics и др.);

Компания «Океан Электроники» является официальным дистрибьютором и эксклюзивным представителем в России одного из крупнейших производителей разъемов военного и аэрокосмического назначения «JONHON», а так же официальным дистрибьютором и эксклюзивным представителем в России производителя высокотехнологичных и надежных решений для передачи СВЧ сигналов «FORSTAR».



## JONHON

«JONHON» (основан в 1970 г.)

Разъемы специального, военного и аэрокосмического назначения:

(Применяются в военной, авиационной, аэрокосмической, морской, железнодорожной, горно- и нефтедобывающей отраслях промышленности)

«FORSTAR» (основан в 1998 г.)

ВЧ соединители, коаксиальные кабели, кабельные сборки и микроволновые компоненты:

(Применяются в телекоммуникациях гражданского и специального назначения, в средствах связи, РЛС, а так же военной, авиационной и аэрокосмической отраслях промышленности).



Телефон: 8 (812) 309-75-97 (многоканальный)

Факс: 8 (812) 320-03-32

Электронная почта: [ocean@oceanchips.ru](mailto:ocean@oceanchips.ru)

Web: <http://oceanchips.ru/>

Адрес: 198099, г. Санкт-Петербург, ул. Калинина, д. 2, корп. 4, лит. А