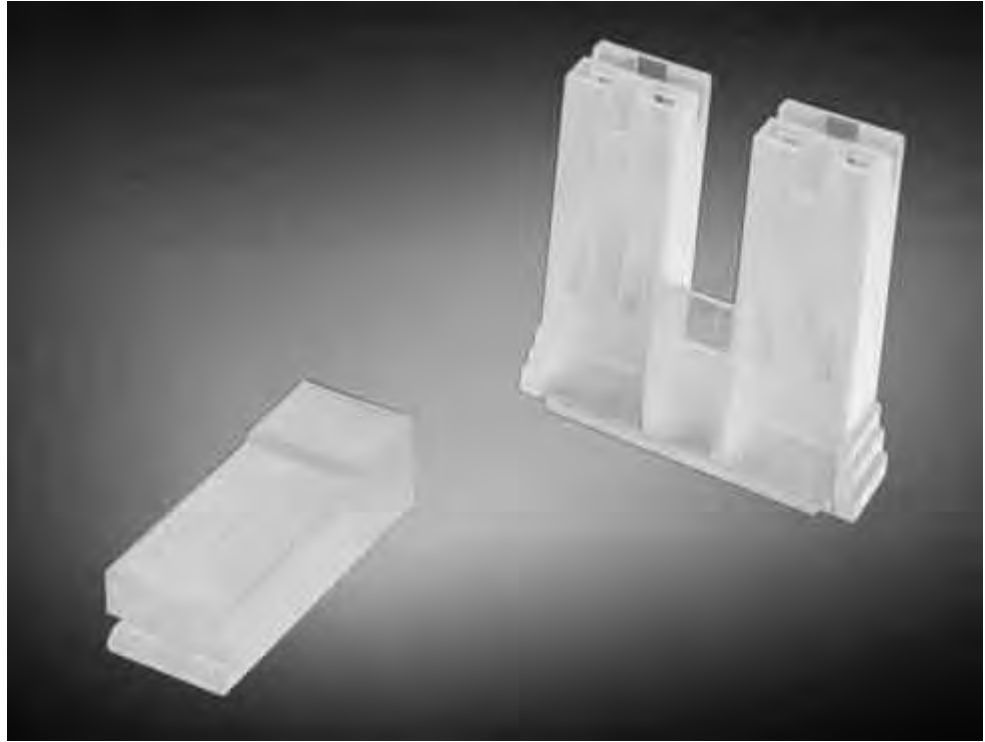


## FASTON Housings

### Product Facts

- Straight, right-angle, multiple position and special application housings available
- Various materials and temperature ratings available
- Accept FASTON receptacles
- Special application housings include microswitch, gas valve, wax motor and water valve housings
- Available in .312, .250, .205, .187 and .110 Series
- Translucent plastic insulating sleeves in both straight and flag configurations

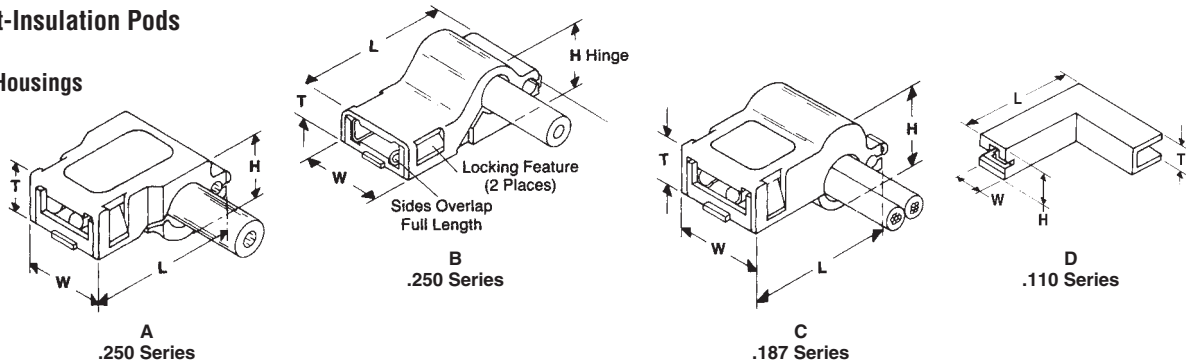


FASTON housings are designed to be used with the FASTON terminal line. They come in sizes ranging from .312, .250, .205, .187 and .110 and are available in multiple positions and configurations. Included in this line are special connectors, including water valve connectors,

microswitch connectors, gas valve connectors, and various other special application connectors. Many of these housings are available in both V-2 and V-0 rated materials. Translucent plastic insulating sleeves are available for use with FASTON receptacles and flags.

**FASTON Housings** (Continued)

**AMPIP Post-Insulation Pods**  
**Flag Style**  
**Receptacle Housings**



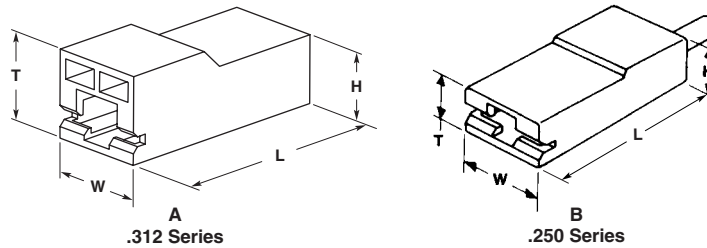
Style	Material	UL 94 <sup>1</sup>	Color	Insulation Dia. Max.	Dimensions					Part Number	Type	Accepts Terminal	UL	CS
					L	T	W	H	H					
A	Nylon	V2	Natural	.210 5.33	.787 19.99	.266 6.76	.448 11.38	.360 9.14	1-480298-0	Continuous Strip	"250" Series Flag FASTON Tab-Lok Receptacles 41531, 41532, 42511, 61156, 63445	X	X	
			V0 Natural											
			V2 Nat. 150°							1-480307-1		Loose Piece		
			V2 Natural										1-480307-7	
B	Nylon	V2	Natural	.140 3.56 (2) .110 2.79	.732 18.59	.180 4.57	.460 11.68	.315 8.00	1-480296-0	Continuous Strip	"250" Series Flag FASTON Commercial Receptacle 60290, 60736, 62418	X	X	
			V2 Natural							1-480306-1				Loose Piece
C	Nylon	V2	Natural	.175 4.45	.699 17.75	.230 5.84	.430 10.92	.320 8.13	1-480487-2	Loose Piece	"187" Series Tab-Lok Flag FASTON <sup>2</sup>	X	X	
			V Natural											1-480487-4 <sup>3</sup>
D	Nylon	V2	Natural	—	.550 13.97	.205 5.21	.225 5.72	.200 5.08	360040-1	Loose Piece	"110" Series FASTON 61070, 61481, 62336	X	X	

<sup>1</sup> Flammability rating of plastic material.

<sup>2</sup> Does not accept commercial series.

<sup>3</sup> Material according to IEC 60335-1.

**Straight Style**  
**Receptacle Housing**



Style	Type	Material	UL 94 <sup>1</sup>	Color	Insulation Dia. Max.	Dimensions					Part Number	Accepts Terminal	UL	CS
						L	T	W	H	H				
A	Loose Piece	Nylon	V0	Black	.200 5.08	1.035 26.29	.400 10.16	.440 11.18	.310 7.87	1969186-1	"312" Series FASTON Receptacles	X	X	
			V2	Natural										1969186-2
B	Loose Piece	Nylon	V2	Natural	.260 6.60	.961 24.40	.181 4.60	.358 9.10	.314 8.00	171706-1	X	X		
			V2	Natural	.224 5.69	1.03 26.20	.225 6.70	.490 12.40	.285 7.20	521053-1	—	—		
			V2	Natural	.200 5.08	Natural 150°	.920 23.37	.280 6.60	.390 9.91	.298 7.57	1-480416-0	"250" Series FASTON Receptacles <sup>3</sup>	X	X
			V0	Natural							1-480416-7			
			V2	Black	1-480416-1	—	—							
			V2	Natural	2-480416-2 <sup>2</sup>									
			V2	Natural	.187 4.75	.995 25.30	.193 4.90	.354 9.00	.252 6.40	280232	—	—		
			V0	Natural	.187 4.75	.995 25.30	.193 4.90	.354 9.00	.252 6.40	280232-6	—	—		
			V2	Natural	.169 4.30	.960 24.40	.181 4.60	.366 9.30	.209 5.30	336369-1	X	—		
			Polypropylene	HB	Clear	.161 4.10	.960 24.40	.181 4.60	.362 9.20	.209 5.30	735075	X	—	

<sup>1</sup> Flammability rating of plastic material.

<sup>2</sup> Material according to IEC 60335-1.

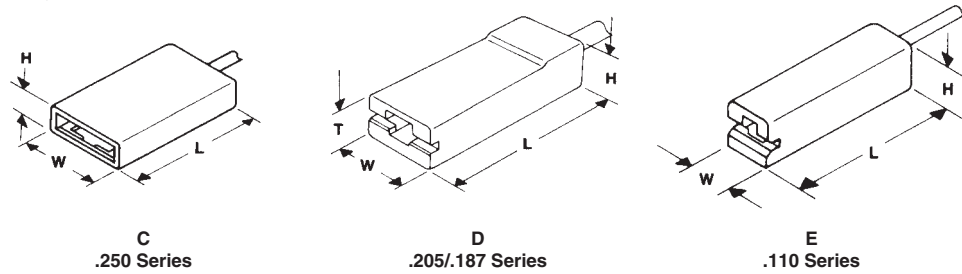
<sup>3</sup> Contact product engineering for terminal recommendations when using these insulators with 10 AWG.

**Note:** All part numbers are RoHS compliant.

**FASTON Housings** (Continued)

**AMPIP Post-Insulation Pods** (Continued)

**Straight Style Receptacle Housing** (Continued)



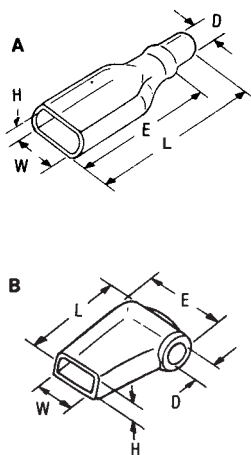
FASTON Housings

Style	Type	Material	UL 94 <sup>1</sup>	Color	Insulation Dia. Max.	Dimensions				Part Number	Accepts Terminal	UL	CS
						L	T	W	H				
C	Loose Piece	Nylon	V2	Natural	.125 3.18	.955 24.26	—	.570 14.48	.190 4.83	1-480458-0	"250" Series FASTON Economy Receptacles 42660, 42743, 42845, 61202	X	X
					.180 4.57	.775 19.69	.225 5.72	.338 8.59	.245 6.22				
D	Loose Piece	Nylon	V2	Natural	.170 4.32	.775 19.69	.215 5.46	.308 7.82	.235 5.97	1-480435-0  1-480435-5 <sup>2</sup>	"187" Series FASTON Receptacles 42373, 42374, 42452, 42453, 42617, 60487, 60573, 62137, 62138, 62187, 63475, 63477	X	X
					.150 3.81	.790 20.07	—	.235 5.97	.240 6.10				
E	Loose Piece	Nylon	V2	Black	.150 3.81	.790 20.07	—	.235 5.97	.240 6.10	1-480417-1			

<sup>1</sup> Flammability rating of plastic material.  
<sup>2</sup> Material according to IEC 60335-1.

**Insulation Sleeves For FASTON Receptacle**

Material — Soft Vinyl Chloride Cloudy



Style	FASTON Series	Dimensions					Part Number		
		D	E	L	W	H			
A	250	.079 2.00	—	—	—	—	170823-3		
		.098 2.50	.748 19.00	.945 24.00	.315 8.00	.138 3.50	170823-2		
		.126 3.20	.866 22.00	1.06 27.00	.315 8.00	.138 3.50	1-170823-8		
		—	.787 20.00	.984 25.00	—	—	1-170823-5		
		.138 3.50	1.18 30.00	1.38 35.00	.315 8.00	.138 3.50	1-170823-9		
		—	1.38 35.00	1.57 40.00	—	—	2-170823-0		
	205	205	.189 4.80	.787 20.00	.984 25.00	.315 8.00	.138 3.50	170823-6	
			.098 2.50	.709 18.00	.906 23.00	.256 6.50	.118 3.00	4-170823-1	
		187	187	.087 2.20	.709 18.00	.906 23.00	.228 5.80	.087 2.20	1-170823-3
				.098 2.50	.591 15.00	.787 20.00	.228 5.80	—	1-170823-4
		110	110	.071 1.80	.300 16.00	.827 21.00	.157 4.00	.083 2.10	170823-9
				.098 2.50	—	—	—	—	170823-1
B	250	.126 3.20	.571 14.50	.728 18.50	.335 8.50	.177 4.50	170891-1		
		.189 4.80	—	—	—	—	170891-2		
187	187	.126 3.20	.488 12.40	.587 14.90	.256 6.50	.118 3.00	3-170823-8		

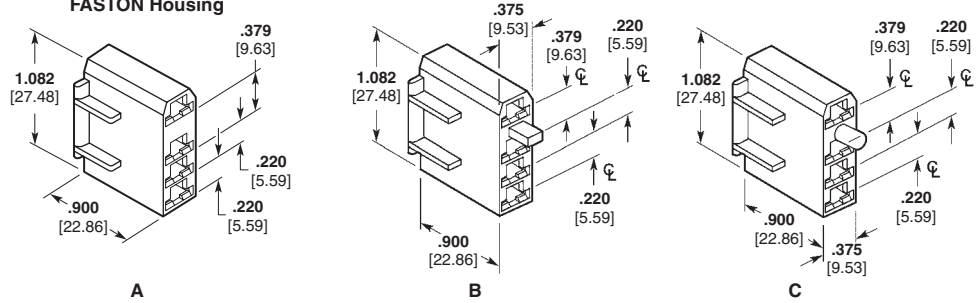
**Note:** All part numbers are RoHS compliant.

**FASTON Housings** (Continued)

**Multi-Position Housings**

**.250 [6.35] Series**

4 Circuit  
.250 Series  
FASTON Housing

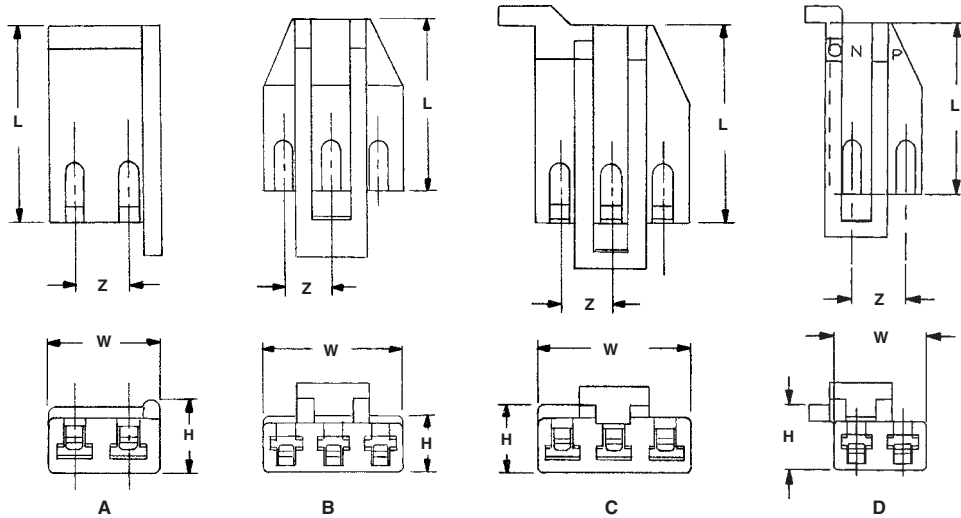


Style	Material	UL 94 <sup>1</sup>	Color	Part Number	Accepts Terminals		
A	Nylon	V2	Black	520987-1	.250 Low Insertion Terminals	X	X
			Natural	520987-2		—	—
			Black	520987-4		X	X
			Natural	520987-5		—	—
B	Nylon	V2	Black	521065-1	.250 Low Insertion Terminals	X	X
C	Nylon	V2	Black	521066-1	.250 Low Insertion Terminals	X	X

<sup>1</sup> Flammability rating of plastic material.  
<sup>2</sup> Material according to IEC 60335-1.

**Multi-Position Housings**

**.110 [2.79] Series  
Ignition Connectors**



Style	Material	UL 94 <sup>1</sup>	Color	Dimensions				Part Number	Accepts Terminal <sup>2</sup>		
				Z	W	H	L				
A	Nylon	V2	Black	.224 5.69	.470 11.94	.305 7.75	.825 20.96	520206-2	62942, 63021, 63093	X	X
D	Nylon	V2	Black	.224 5.69	.444 11.28	.315 8.00	.827 21.01	520217-2	62942, 63021, 63093	X	X
			Yellow					520217-3			
	Polyester	HB	Natural	520217-4							
B	Nylon	V2	Natural	.224 5.69	.668 16.97	.235 5.97	.825 20.96	520219-1	62942, 63021, 63093	X	X
			Black					520219-2			
	Polyester	HB	Black	.224 5.69	.668 16.97	.235 5.97	.825 20.96	520219-4			
C	Nylon	V2	Black	.224 5.69	.444 11.28	.315 8.00	.866 22.00	520220-2	63093	X	X

<sup>1</sup> Flammability rating of plastic material.  
<sup>2</sup> For dimensions see TE customer drawing.

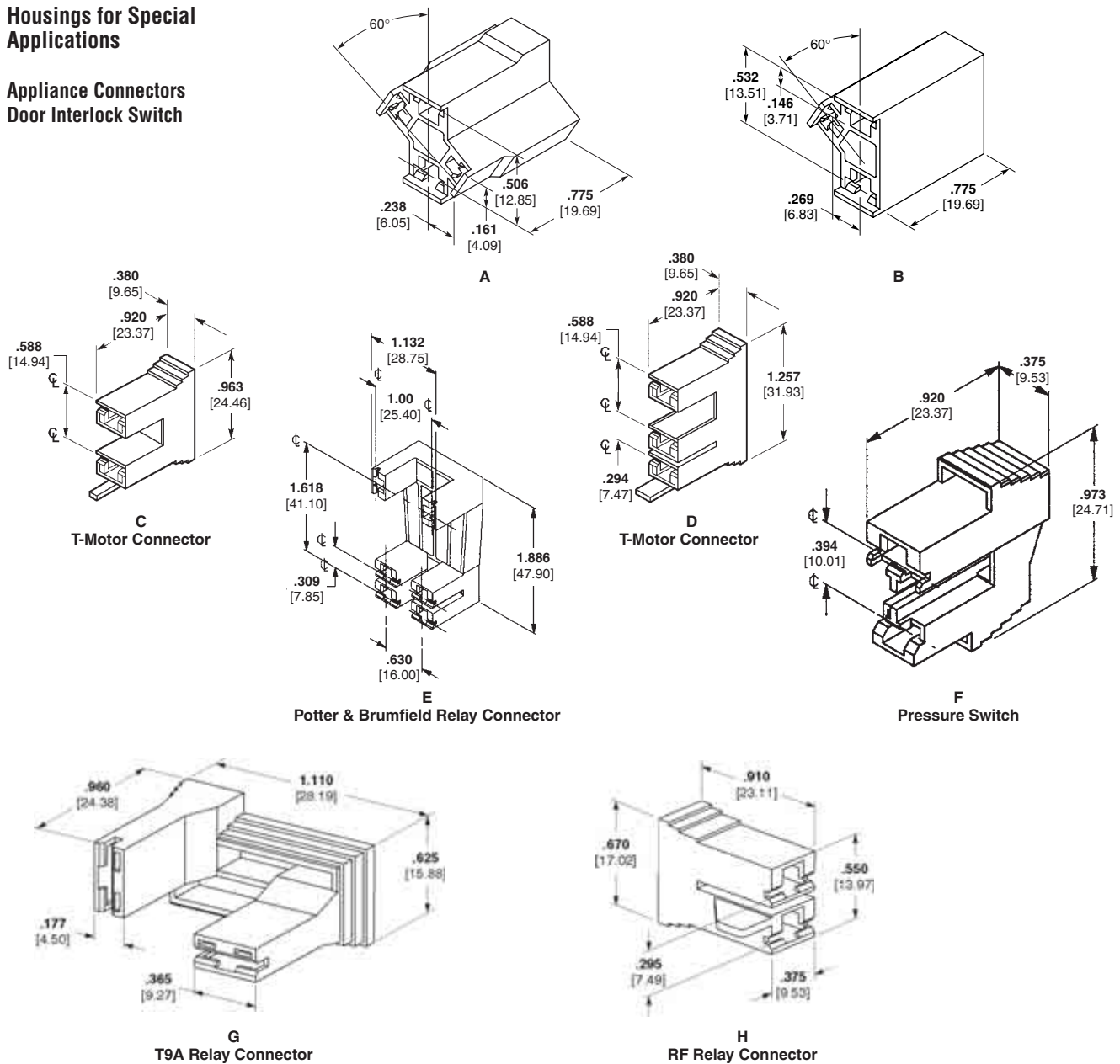
**Note:** All part numbers are RoHS compliant.

**FASTON Housings** (Continued)

**Housings for Special Applications**

**Appliance Connectors  
Door Interlock Switch**

FASTON Housings



Style	Material	UL 94 <sup>1</sup>	Color	Part Number	Accepts Terminals		
A	Nylon	V2	Natural 150°C	521251-1	110/187	X	—
			Natural	520978-1	110/187	X	X
B	Nylon	V2	Natural 150°C	520978-2	110/187	X	X
			Natural	521069-1	250 LIF	X	X
C	Nylon	V2	Natural	521069-1	250 LIF	X	X
D	Nylon	V2	Black	521070-1	250 LIF	X	X
E	Nylon	V2	Black	521140-1	63981-1	X	X
F	Nylon	V2	Black	521148-1	187 LIF/ 250 LIF	X	X
G	Nylon	V0	Natural	521785-1	250 LIF	X	X
H	Nylon	V0	Natural	521771-1	250 LIF	X	X

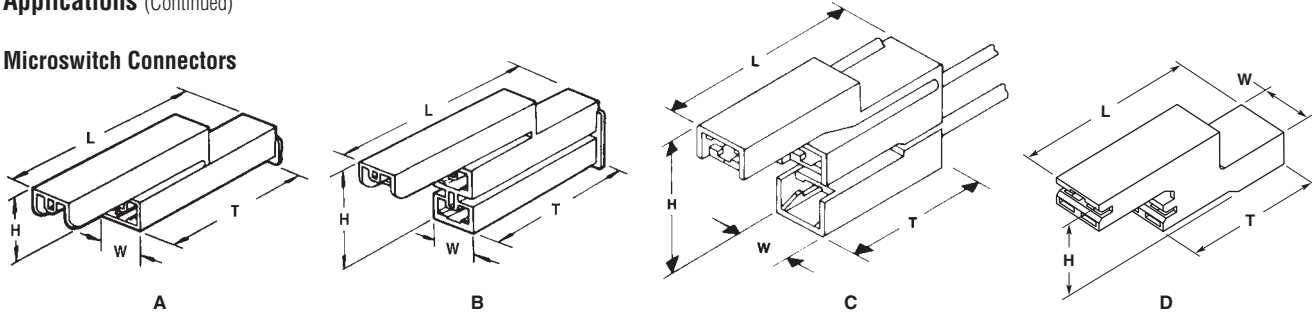
<sup>1</sup> Flammability rating of plastic material.

**Note:** All part numbers are RoHS compliant.

**FASTON Housings** (Continued)

**Housings for Special Applications** (Continued)

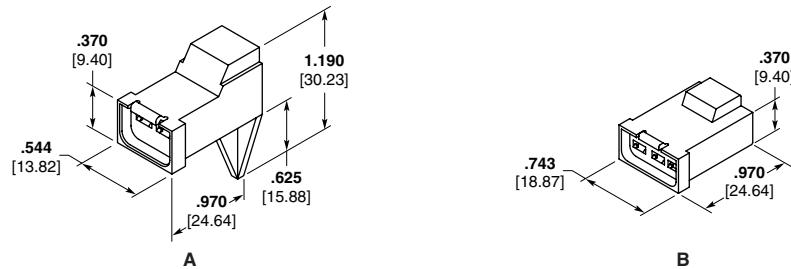
**Microswitch Connectors**



Style	Type	Material	UL 94 <sup>1</sup>	Color	Insulation Dia. Max.	Dimensions				Part Number	Accepts Terminal	UL	SP®
						L	T	W	H				
A	Loose Piece	Nylon	V2	Natural	.157 4.00	1.720 43.70	1.035 26.30	.307 7.80	.520 13.20	174712-1	187 Series MK II Positive Lock Receptacles 170324, 170325, 170326	X	X
			V0	Natural	.157 4.00	1.720 43.70	1.035 26.30	.307 7.80	.520 13.20	1-174712-1			
B	Loose Piece	Nylon	V2	Natural	.157 4.00	1.720 43.70	1.035 26.30	.307 7.80	.770 19.50	172075-1	187 Series MK II Positive Lock Receptacles 170324, 170325, 170326	X	X
			V0	Natural	.157 4.00	1.720 43.70	1.035 26.30	.307 7.80	.770 19.50	1-172075-1			
C	Loose Piece	Nylon	V2	Natural	.170 4.32	1.655 42.04	.845 21.46	.317 8.05	.875 22.23	520212-1	187 Series FASTON Receptacles 42373, 42374, 42452, 42453, 42617, 60487, 60573, 62137, 62187	X	X
			V0	Natural						520212-2			
			V2	Natural	520212-3								
			V0	Natural	360010-1								
D	Loose Piece	Nylon	V2	Natural	.170 4.32	1.405 35.69	.845 21.46	.317 8.05	.875 22.23	360010-5 <sup>2</sup>	250 Series MK III Positive Lock Receptacles 63993, 63854, 1217092	X	X
			V0	Natural	.195 4.95	1.500 38.10	.981 24.92	.370 9.40	.536 13.61	360010-2			

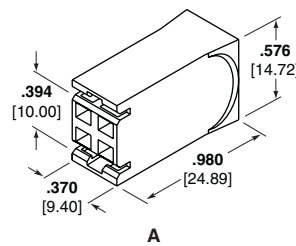
<sup>1</sup> Flammability rating of plastic material.  
<sup>2</sup> Material according to IEC 60335-1.

**Gas Valve Connectors**



Style	Material	UL 94	Color	Part Number	Accepts Terminal	UL	SP®
A	Nylon	V2	Natural	521306-1	1217345-1	X	X
B	Nylon	V2	Natural	521307-1	1217345-1	X	X

**Wax Motor Connector**



Style	Material	UL 94	Color	Part Number	Accepts Terminal	UL	SP®
A	Nylon	V0	Natural	521766-1	250 Series FASTON and Positive Lock Mark III Terminals. Examples include 63306 and 63854.	X	X

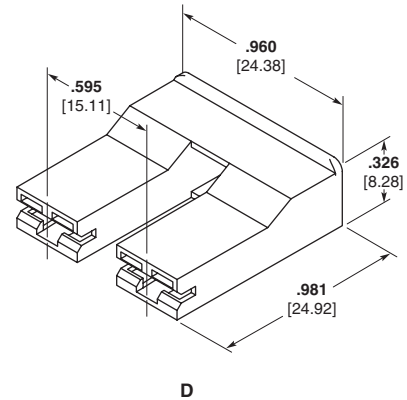
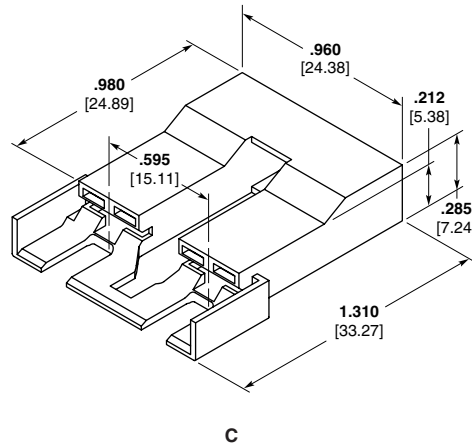
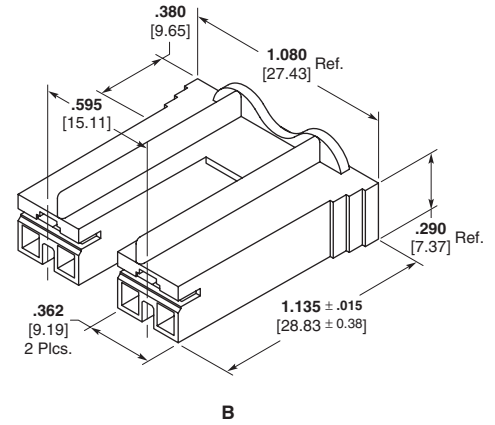
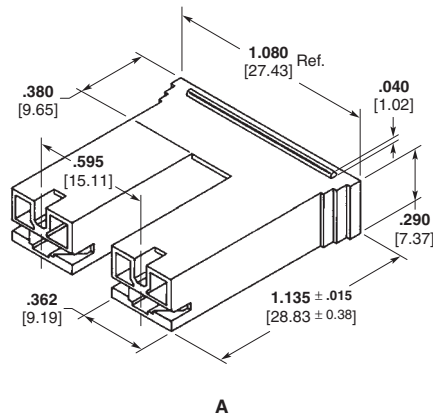
**Note:** All part numbers are RoHS compliant.



**FASTON Housings** (Continued)

**250 Series Water Valve Coil Connector**

This connector is designed to mate with the appliance industry's standard water valve coil. The connector is suitable for such applications as washing machine mixing valves, dishwasher fill valves, and refrigerators with automatic ice makers. The housing has a unique internal cavity design to accommodate either two Positive Lock or two budget and LIF FASTON receptacles.



**Product Facts**

- Helps prevent terminal back-out of housing through plastic retention feature
- Higher disengagement forces possible with Positive Lock or Low Insertion Force (LIF) FASTON receptacles (hole required in mating tab)
- Recognized under the Component Program of Underwriters Laboratories, Inc., File Nos. E28476 and E13288.



Style	Material	UL 94 <sup>2</sup>	Color <sup>4</sup>	Part Number	Accepts			
A	Nylon	V2	Natural	520935-1	250 Series FASTON and Positive Lock Mark II Terminals. Examples Include 42400, 42510, 63306, 63097 <sup>1</sup> , 63119 <sup>1</sup> , 63239 <sup>1</sup> , and 170328 <sup>1</sup>	X	X	
			Red	520935-2				
			Black	520935-3 <sup>3</sup>				
			Green	520935-4				
			Blue	520935-5				
			Yellow	520935-6				
			Brown	520935-7				
V0	Natural	1-520935-1	X	X				
	Red	1-520935-2						
B	Nylon	V0	Natural	521229-1		X	—	
			Red	521229-2				
C	Nylon	V2	Natural	521253-1		250 Series FASTON and Positive Lock Mark III Terminals. Examples Include 63306 and 63854	X	X
			Red	521253-2				
		V0	Red	1-521253-2			X	X
			Green	1-521253-3				
			Blue	1-521253-7				
D	Nylon	V2	Natural	521119-1	X		X	
			Putty	521119-2				
			Blue	521119-4				

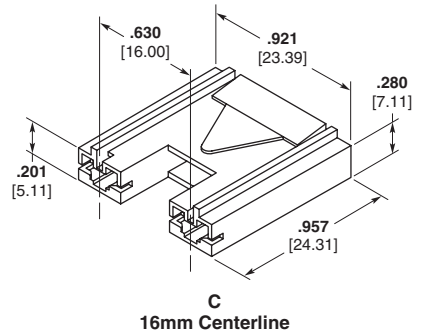
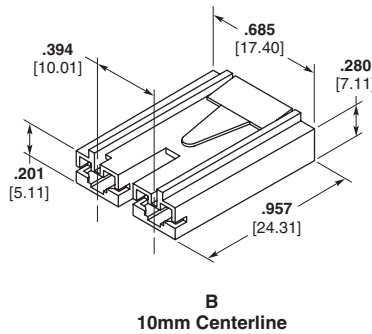
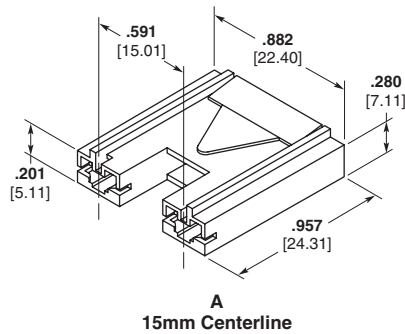
<sup>1</sup> For Positive Lock mark II receptacles, refer to pages 78-83.  
<sup>2</sup> Flammability rating of plastic material.  
<sup>3</sup> Weather resistant material.  
<sup>4</sup> Additional colors available.

**Note:** All part numbers are RoHS compliant.

FASTON Housings

**FASTON Housings** (Continued)

**187 Series Connector**



Style	Material	UL 94	Color	Part Number	Accepts Terminals
A	Nylon	V0	Natural	176498-1	170324, 170325, 170326
			Black	176498-2	
			Yellow	176498-4	
			Blue	176498-6	
B	Nylon	V0	Natural	179720-1	170324, 170325, 170326
			Black	179720-2	
			Yellow	179720-4	
			Blue	179720-6	
			Red	179720-7	
C	Nylon	V0	Natural	353148-1	170324, 170325, 170326
			Yellow	353148-4	
			Green	353148-5	
			Blue	353148-6	

**Note:** All part numbers are RoHS compliant.



Компания «Океан Электроники» предлагает заключение долгосрочных отношений при поставках импортных электронных компонентов на взаимовыгодных условиях!

Наши преимущества:

- Поставка оригинальных импортных электронных компонентов напрямую с производств Америки, Европы и Азии, а так же с крупнейших складов мира;
- Широкая линейка поставок активных и пассивных импортных электронных компонентов (более 30 млн. наименований);
- Поставка сложных, дефицитных, либо снятых с производства позиций;
- Оперативные сроки поставки под заказ (от 5 рабочих дней);
- Экспресс доставка в любую точку России;
- Помощь Конструкторского Отдела и консультации квалифицированных инженеров;
- Техническая поддержка проекта, помощь в подборе аналогов, поставка прототипов;
- Поставка электронных компонентов под контролем ВП;
- Система менеджмента качества сертифицирована по Международному стандарту ISO 9001;
- При необходимости вся продукция военного и аэрокосмического назначения проходит испытания и сертификацию в лаборатории (по согласованию с заказчиком);
- Поставка специализированных компонентов военного и аэрокосмического уровня качества (Xilinx, Altera, Analog Devices, Intersil, Interpoint, Microsemi, Actel, Aeroflex, Peregrine, VPT, Syfer, Eurofarad, Texas Instruments, MS Kennedy, Miteq, Cobham, E2V, MA-COM, Hittite, Mini-Circuits, General Dynamics и др.);

Компания «Океан Электроники» является официальным дистрибьютором и эксклюзивным представителем в России одного из крупнейших производителей разъемов военного и аэрокосмического назначения «JONHON», а так же официальным дистрибьютором и эксклюзивным представителем в России производителя высокотехнологичных и надежных решений для передачи СВЧ сигналов «FORSTAR».



## JONHON

«JONHON» (основан в 1970 г.)

Разъемы специального, военного и аэрокосмического назначения:

(Применяются в военной, авиационной, аэрокосмической, морской, железнодорожной, горно- и нефтедобывающей отраслях промышленности)

«FORSTAR» (основан в 1998 г.)

ВЧ соединители, коаксиальные кабели, кабельные сборки и микроволновые компоненты:

(Применяются в телекоммуникациях гражданского и специального назначения, в средствах связи, РЛС, а так же военной, авиационной и аэрокосмической отраслях промышленности).



Телефон: 8 (812) 309-75-97 (многоканальный)

Факс: 8 (812) 320-03-32

Электронная почта: [ocean@oceanchips.ru](mailto:ocean@oceanchips.ru)

Web: <http://oceanchips.ru/>

Адрес: 198099, г. Санкт-Петербург, ул. Калинина, д. 2, корп. 4, лит. А