



# SC70/ $\mu$ DFN, Single/Dual Low-Voltage, Low-Power $\mu$ P Reset Circuits

MAX6381-MAX6390

## General Description

The MAX6381-MAX6390 microprocessor ( $\mu$ P) supervisory circuits monitor power-supply voltages from +1.8V to +5.0V while consuming only 3 $\mu$ A of supply current at +1.8V. Whenever V<sub>CC</sub> falls below the factory-set reset thresholds, the reset output asserts and remains asserted for a minimum reset timeout period after V<sub>CC</sub> rises above the reset threshold. Reset thresholds are available from +1.58V to +4.63V, in approximately 100mV increments. Seven minimum reset timeout delays ranging from 1ms to 1200ms are available.

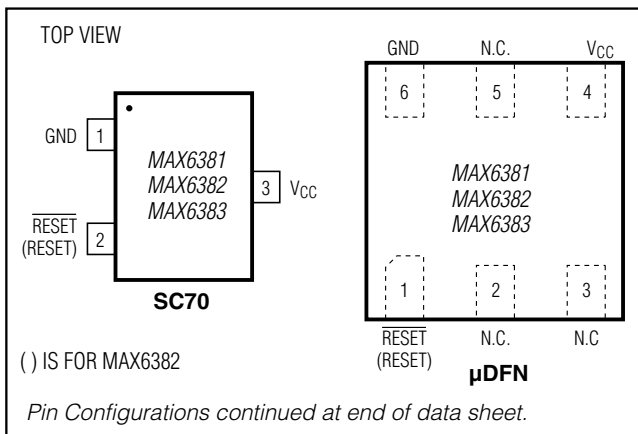
The MAX6381/MAX6384/MAX6387 have a push-pull active-low reset output. The MAX6382/MAX6385/MAX6388 have a push-pull active-high reset output, and the MAX6383/MAX6386/MAX6389/MAX6390 have an open-drain active-low reset output. The MAX6384/MAX6385/MAX6386 also feature a debounced manual reset input (with internal pullup resistor). The MAX6387/MAX6388/MAX6389 have an auxiliary input for monitoring a second voltage. The MAX6390 offers a manual reset input with a longer V<sub>CC</sub> reset timeout period (1120ms or 1200ms) and a shorter manual reset timeout (140ms or 150ms).

The MAX6381/MAX6382/MAX6383 are available in 3-pin SC70 and 6-pin  $\mu$ DFN packages and the MAX6384-MAX6390 are available in 4-pin SC70 and 6-pin  $\mu$ DFN packages.

## Applications

- |                         |                                    |
|-------------------------|------------------------------------|
| Computers               | Critical $\mu$ P and $\mu$ C       |
| Controllers             | Power Monitoring                   |
| Intelligent Instruments | Portable/Battery-Powered Equipment |
|                         | Dual Voltage Systems               |

## Pin Configurations



## Features

- ◆ Factory-Set Reset Threshold Voltages Ranging from +1.58V to +4.63V in Approximately 100mV Increments
- ◆  $\pm$ 2.5% Reset Threshold Accuracy Over Temperature (-40°C to +125°C)
- ◆ Seven Reset Timeout Periods Available: 1ms, 20ms, 140ms, 280ms, 560ms, 1120ms, 1200ms (min)
- ◆ 3 Reset Output Options
  - Active-Low Push-Pull
  - Active-High Push-Pull
  - Active-Low Open-Drain
- ◆ Reset Output State Guaranteed Valid Down to V<sub>CC</sub> = 1V
- ◆ Manual Reset Input (MAX6384/MAX6385/MAX6386)
- ◆ Auxiliary RESET IN (MAX6387/MAX6388/MAX6389)
- ◆ V<sub>CC</sub> Reset Timeout (1120ms or 1200ms)/Manual Reset Timeout (140ms or 150ms) (MAX6390)
- ◆ Negative-Going V<sub>CC</sub> Transient Immunity
- ◆ Low Power Consumption of 6 $\mu$ A at +3.6V and 3 $\mu$ A at +1.8V
- ◆ Pin Compatible with
  - MAX809/MAX810/MAX803/MAX6326/MAX6327/
  - MAX6328/MAX6346/MAX6347/MAX6348,
  - and MAX6711/MAX6712/MAX6713
- ◆ Tiny 3-Pin/4-Pin SC70 and 6-Pin  $\mu$ DFN Packages

## Ordering Information

PART	TEMP RANGE	PIN-PACKAGE
MAX6381LT__D_+T	-40°C to +125°C	6 $\mu$ DFN
MAX6381XR__D_+T	-40°C to +125°C	3 SC70
MAX6381XR__D_/V+T	-40°C to +125°C	3 SC70
MAX6382LT__D_+T	-40°C to +125°C	6 $\mu$ DFN
MAX6382XR__D_+T	-40°C to +125°C	3 SC70

**Note:** Insert reset threshold suffix (see Reset Threshold table) after "XR", "XS", or "LT." Insert reset timeout delay (see Reset Timeout Delay table) after "D" to complete the part number. Sample stock is generally held on standard versions only (see Standard Versions table). Standard versions have an order increment requirement of 2500 pieces. Nonstandard versions have an order increment requirement of 10,000 pieces. Contact factory for availability of nonstandard versions.

+ Denotes a lead(Pb)-free/RoHS-compliant package.  
/V denotes an automotive qualified part.

Ordering Information continued at end of data sheet.  
Typical Operating Circuit appears at end of data sheet.  
Selector Guide appears at end of data sheet.

# SC70/ $\mu$ DFN, Single/Dual Low-Voltage, Low-Power $\mu$ P Reset Circuits

## ABSOLUTE MAXIMUM RATINGS

$V_{CC}$ to GND .....	-0.3V to +6.0V
RESET Open-Drain Output .....	-0.3V to +6.0V
RESET, RESET (push-pull output) .....	-0.3V to ( $V_{CC} + 0.3V$ )
MR, RESET IN .....	-0.3V to ( $V_{CC} + 0.3V$ )
Input Current ( $V_{CC}$ ) .....	20mA
Output Current (all pins) .....	20mA

Continuous Power Dissipation ( $T_A = +70^\circ\text{C}$ )	
3-Pin SC70 (derate 2.9mW/ $^\circ\text{C}$ above $+70^\circ\text{C}$ ) .....	235mW
4-Pin SC70 (derate 3.1mW/ $^\circ\text{C}$ above $+70^\circ\text{C}$ ) .....	245mW
6-Pin $\mu$ DFN (derate 2.1mW/ $^\circ\text{C}$ above $+70^\circ\text{C}$ ) .....	167.7mW
Operating Temperature Range .....	$-40^\circ\text{C}$ to $+125^\circ\text{C}$
Storage Temperature Range .....	$-65^\circ\text{C}$ to $+150^\circ\text{C}$
Lead Temperature (soldering, 10s) .....	$+300^\circ\text{C}$
Soldering Temperature (reflow) .....	$+260^\circ\text{C}$

Stresses beyond those listed under "Absolute Maximum Ratings" may cause permanent damage to the device. These are stress ratings only, and functional operation of the device at these or any other conditions beyond those indicated in the operational sections of the specifications is not implied. Exposure to absolute maximum rating conditions for extended periods may affect device reliability.

## ELECTRICAL CHARACTERISTICS

( $V_{CC}$  = full range,  $T_A = -40^\circ\text{C}$  to  $+125^\circ\text{C}$ , unless otherwise specified. Typical values are at  $T_A = +25^\circ\text{C}$ .) (Note 1)

PARAMETER	SYMBOL	CONDITIONS	MIN	TYP	MAX	UNITS	
Operating Voltage Range	$V_{CC}$		1.0		5.5	V	
$V_{CC}$ Supply Current	$I_{CC}$	$V_{CC} = 5.5V$ , no load		7	13	$\mu\text{A}$	
		$V_{CC} = 3.6V$ , no load		6	11		
		$V_{CC} = 2.5V$ , no load		4	7		
		$V_{CC} = 1.8V$ , no load		3	6		
$V_{CC}$ Reset Threshold (See Reset Thresholds table)	$V_{TH}$	$T_A = +25^\circ\text{C}$	$V_{TH} - 1.5\%$	$V_{TH}$	$V_{TH} + 1.5\%$	V	
		$T_A = -40^\circ\text{C}$ to $+125^\circ\text{C}$	$V_{TH} - 2.5\%$	$V_{TH}$	$V_{TH} + 2.5\%$		
Reset Threshold Tempco	$\Delta V_{TH}/^\circ\text{C}$			60		ppm/ $^\circ\text{C}$	
$V_{CC}$ to Reset Delay		$V_{CC}$ falling at $10\text{mV}/\mu\text{s}$ from $V_{TH} + 100\text{mV}$ to $V_{TH} - 100\text{mV}$		35		$\mu\text{s}$	
Reset Timeout Period MAX6381-MAX6389 (See Reset Timeout table)	$t_{RP}$	D1		1	2	ms	
		D2		20	40		
		D3		140	280		
		D5		280	560		
		D6		560	1120		
		D4		1120	2240		
		D7		1200	2400		
Reset Timeout Period MAX6390	$t_{RP}$	MR timeout period	D4		140	280	ms
			D7		150	300	
		$V_{CC}$ timeout period	D4		1120	2240	
			D7		1200	2400	
MR Input Voltage	$V_{IL}$	$V_{TH} < 4V$			$0.3 \times V_{CC}$	V	
	$V_{IH}$			$0.7 \times V_{CC}$			
	$V_{IL}$	$V_{TH} > 4V$			0.8		
	$V_{IH}$			2.4			

# SC70/ $\mu$ DFN, Single/Dual Low-Voltage, Low-Power $\mu$ P Reset Circuits

MAX6381-MAX6390

## ELECTRICAL CHARACTERISTICS (continued)

( $V_{CC}$  = full range,  $T_A$  = -40°C to +125°C, unless otherwise specified. Typical values are at  $T_A$  = +25°C.) (Note 1)

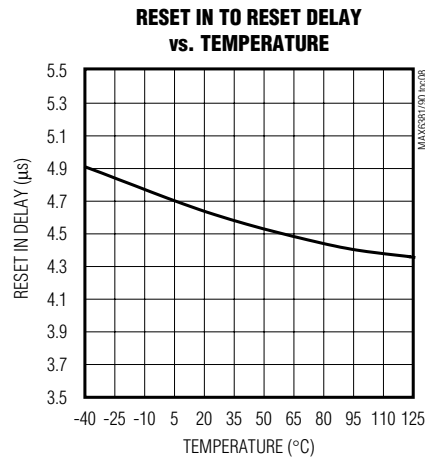
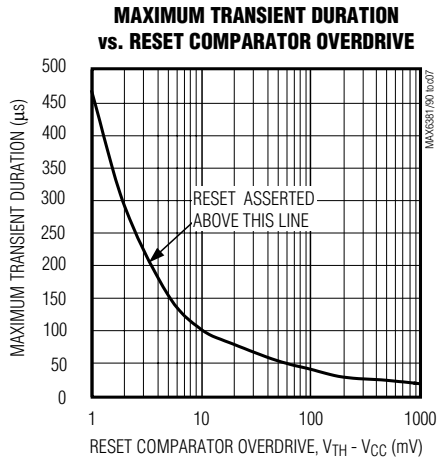
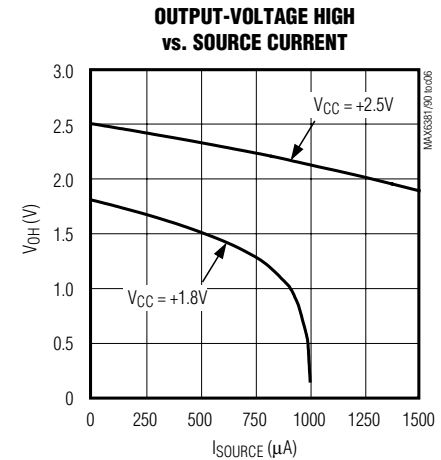
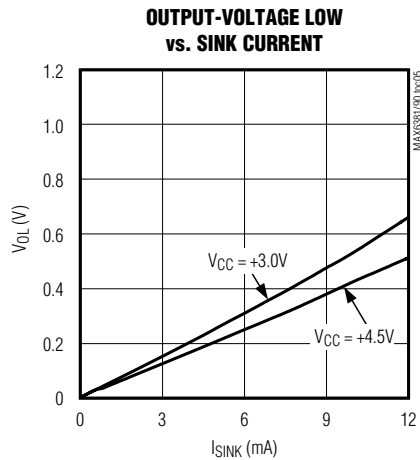
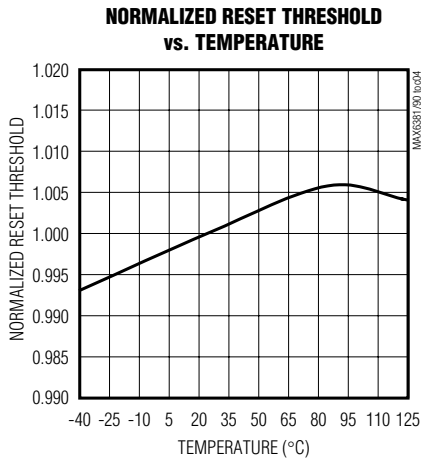
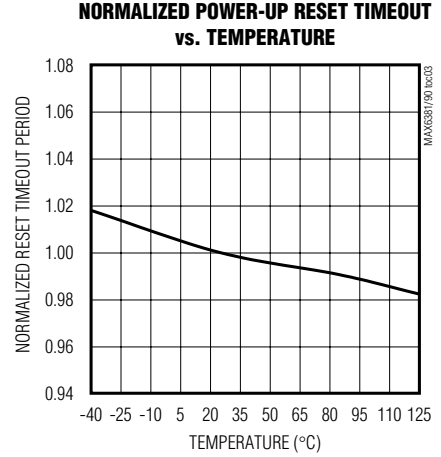
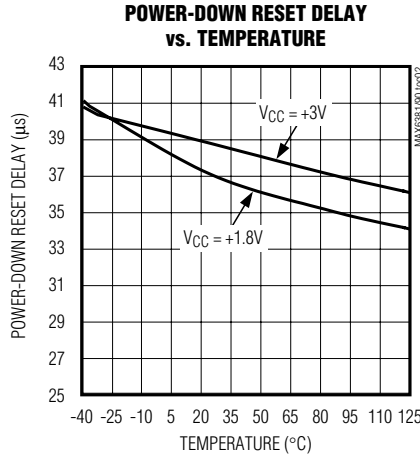
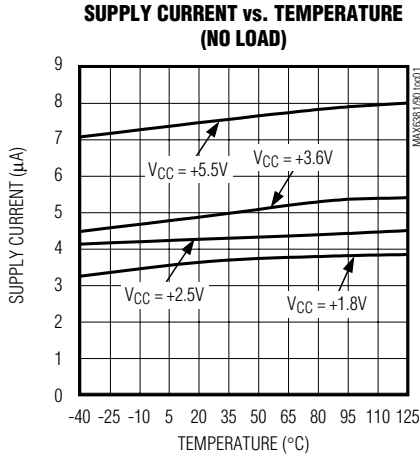
PARAMETER	SYMBOL	CONDITIONS	MIN	TYP	MAX	UNITS	
$\overline{MR}$ Minimum Input Pulse Width			1			$\mu$ s	
$\overline{MR}$ Glitch Rejection				100		ns	
$\overline{MR}$ to Reset Delay				200		ns	
$\overline{MR}$ Internal Pullup Resistance		MAX6381-MAX6389	32	63	100	k $\Omega$	
		MAX6390	500	1560	3000	$\Omega$	
RESET IN Input Threshold	$V_{THRST}$	$T_A$ = +25°C	1.245	1.27	1.295	V	
		$T_A$ = 0°C to +85°C	1.232		1.308		
		$T_A$ = -40°C to +125°C	1.219		1.321		
RESET IN to RESET Delay		$V_{RESETIN}$ falling at 4mV/ $\mu$ s from $V_{THRST} + 40$ mV to $V_{THRST} - 40$ mV		4.5		$\mu$ s	
RESET IN Input Leakage Current	$I_{RESETIN}$		-50	$\pm 1$	+50	nA	
Open-Drain $\overline{RESET}$ Output Voltage	$V_{OL}$	$V_{CC} \geq 4.5$ V, $I_{SINK} = 3.2$ mA, reset asserted			0.4	V	
		$V_{CC} \geq 2.5$ V, $I_{SINK} = 1.2$ mA, reset asserted			0.3		
		$V_{CC} \geq 1.0$ V, $I_{SINK} = 80$ $\mu$ A, reset asserted			0.3		
Open-Drain $\overline{RESET}$ Output Leakage Current	$I_{LKG}$	$V_{CC} > V_{TH}$ , $\overline{RESET}$ not asserted			1.0	$\mu$ A	
Push-Pull $\overline{RESET}$ Output Voltage	$V_{OL}$	$V_{CC} \geq 4.5$ V, $I_{SINK} = 3.2$ mA, reset asserted			0.4	V	
		$V_{CC} \geq 2.5$ V, $I_{SINK} = 1.2$ mA, reset asserted			0.3		
		$V_{CC} \geq 1.0$ V, $I_{SINK} = 80$ $\mu$ A, reset asserted			0.3		
	$V_{OH}$	$V_{CC} \geq 4.5$ V, $I_{SOURCE} = 800$ $\mu$ A, reset not asserted	0.8 x				
		$V_{CC} \geq 2.5$ V, $I_{SOURCE} = 500$ $\mu$ A, reset not asserted	0.8 x				
Push-Pull RESET Output Voltage	$V_{OH}$	$V_{CC} \geq 4.5$ V, $I_{SOURCE} = 800$ $\mu$ A, reset asserted	0.8 x			V	
		$V_{CC} \geq 2.5$ V, $I_{SOURCE} = 500$ $\mu$ A, reset asserted	0.8 x				
		$V_{CC} \geq 1.8$ V, $I_{SOURCE} = 150$ $\mu$ A, reset asserted	0.8 x				
		$V_{CC} \geq 1.0$ V, $I_{SOURCE} = 1$ $\mu$ A, reset asserted	0.8 x				
	$V_{OL}$	$V_{CC} \geq 4.5$ V, $I_{SINK} = 3.2$ mA, reset not asserted			0.4		
		$V_{CC} \geq 2.5$ V, $I_{SINK} = 1.2$ mA, reset not asserted			0.3		

**Note 1:** Specifications over temperature are guaranteed by design, not production tested.

# SC70/ $\mu$ DFN, Single/Dual Low-Voltage, Low-Power $\mu$ P Reset Circuits

## Typical Operating Characteristics

( $T_A = +25^\circ\text{C}$ , unless otherwise noted.)



# SC70/ $\mu$ DFN, Single/Dual Low-Voltage, Low-Power $\mu$ P Reset Circuits

## Pin Description

MAX6381-MAX6390

$\mu$ DFN	PIN						NAME	FUNCTION
	3-PIN SC70		4-PIN SC70					
	MAX6381/ MAX6383	MAX6382	MAX6384/ MAX6386/ MAX6390	MAX6385	MAX6387/ MAX689	MAX6388		
1 (MAX6382/ MAX6385/ MAX6388)		2	—	2	—	2	RESET	Active-High Push-Pull Reset Output. RESET changes from low to high when any monitored voltage ( $V_{CC}$ or $V_{RESETIN}$ ) drops below the reset threshold or $\overline{MR}$ is pulled low. RESET remains high for the reset timeout period after monitored voltages exceed the reset thresholds or $\overline{MR}$ is released.
1 (MAX6381/ MAX6383/ MAX6384/ MAX6386/ MAX6387/ MAX6390)	2	—	2	—	2	—	$\overline{RESET}$	Active-Low Open-Drain/Push-Pull Reset Output. $\overline{RESET}$ changes from high to low when any monitored voltage ( $V_{CC}$ or $V_{RESETIN}$ ) drops below the reset threshold or $\overline{MR}$ is pulled low. $\overline{RESET}$ remains low for the reset timeout period after the monitored voltages exceed the reset thresholds or $\overline{MR}$ is released. Open-drain requires an external pullup resistor.
2, 3, 5 (MAX6381/ MAX6382/ MAX6383)	—	—	—	—	—	—	N.C.	No Connection. Not Internally connected.
2, 5 (MAX6384- MAX6390)								
3 (MAX6384/ MAX6385/ MAX6386/ MAX6390)	—	—	3	3	—	—	$\overline{MR}$	Active-Low Manual Reset Input. Drive low to force a reset. Reset remains active as long as $\overline{MR}$ is low and for the reset timeout period after $\overline{MR}$ is released. Leave unconnected or connect to $V_{CC}$ if unused. $\overline{MR}$ has an internal $63k\Omega$ ( $1.56k\Omega$ for MAX6390) pullup resistor to $V_{CC}$ .
3 (MAX6387/ MAX6388/ MAX6389)	—	—	—	—	3	3	RESET IN	Auxiliary Reset Input. High-impedance input to the auxiliary reset comparator. Connect RESET IN to the center point of an external resistor voltage-divider network to set the reset threshold voltage. Reset asserts when either $V_{CC}$ or RESET IN falls below its threshold voltage.
4 (MAX6381- MAX6390)	3	3	4	4	4	4	$V_{CC}$	Supply Voltage for the device and input for fixed $V_{CC}$ reset threshold monitor.
6 (MAX6381- MAX6390)	1	1	1	1	1	1	GND	Ground

# SC70/ $\mu$ DFN, Single/Dual Low-Voltage, Low-Power $\mu$ P Reset Circuits

## Detailed Description

### RESET Output

A  $\mu$ P reset input starts the  $\mu$ P in a known state. These  $\mu$ P supervisory circuits assert reset to prevent code execution errors during power-up, power-down, or brownout conditions.

Reset asserts when  $V_{CC}$  is below the reset threshold; once  $V_{CC}$  exceeds the reset threshold, an internal timer keeps the reset output asserted for the reset timeout period. After this interval, reset output deasserts. Reset output is guaranteed to be in the correct logic state for  $V_{CC} \geq 1V$ .

### Manual Reset Input (MAX6384/MAX6385/MAX6386/MAX6390)

Many  $\mu$ P-based products require manual reset capability, allowing the operator, a test technician, or external logic circuitry to initiate a reset. A logic low on  $\overline{MR}$  asserts reset. Reset remains asserted while  $\overline{MR}$  is low, and for the reset active timeout period ( $t_{RP}$ ) after  $\overline{MR}$  returns high. This input has an internal 63k $\Omega$  pullup resistor (1.56k $\Omega$  for MAX6390), so it can be left unconnected if it is not used.  $\overline{MR}$  can be driven with TTL or CMOS logic levels, or with open-drain/collector outputs. Connect a normally open momentary switch from  $\overline{MR}$  to GND to create a manual-reset function; external debounce circuitry is not required. If  $\overline{MR}$  is driven from long cables or if the device is used in a noisy environment, connecting a 0.1 $\mu$ F capacitor from  $\overline{MR}$  to GND provides additional noise immunity.

### RESET IN Comparator (MAX6387/MAX6388/MAX6389)

RESET IN is compared to an internal +1.27V reference. If the voltage at RESET IN is less than 1.27V, reset asserts. Use the RESET IN comparator as a user-adjustable reset detector or as a secondary power-supply monitor by implementing a resistor-divider at RESET IN (shown in Figure 1). Reset asserts when either  $V_{CC}$  or RESET IN falls below its respective threshold voltage. Use the following equation to set the threshold:

$$V_{INTH} = V_{THRST} (R1/R2 + 1)$$

where  $V_{THRST} = +1.27V$ . To simplify the resistor selection, choose a value of  $R2$  and calculate  $R1$ :

$$R1 = R2 [(V_{INTH}/V_{THRST}) - 1]$$

Since the input current at RESET IN is 50nA (max), large values can be used for  $R2$  with no significant loss in accuracy.

## Reset Thresholds (-40°C to +125°C)

SUFFIX	$V_{TH}$ (min)	$V_{TH}$ (nom)	$V_{TH}$ (max)
46	4.51	4.63	4.74
45	4.39	4.50	4.61
44	4.27	4.38	4.48
43	4.19	4.30	4.41
42	4.10	4.20	4.31
41	4.00	4.10	4.20
40	3.90	4.00	4.10
39	3.80	3.90	4.00
38	3.71	3.80	3.90
37	3.61	3.70	3.79
36	3.51	3.60	3.69
35	3.41	3.50	3.59
34	3.32	3.40	3.49
33	3.22	3.30	3.38
32	3.12	3.20	3.28
31	3.00	3.08	3.15
30	2.93	3.00	3.08
29	2.85	2.93	3.00
28	2.73	2.80	2.87
27	2.63	2.70	2.77
26	2.56	2.63	2.69
25	2.44	2.50	2.56
24	2.34	2.40	2.46
23	2.26	2.31	2.37
22	2.13	2.19	2.24
21	2.05	2.10	2.15
20	1.95	2.00	2.05
19	1.85	1.90	1.95
18	1.76	1.80	1.85
17	1.62	1.67	1.71
16	1.54	1.58	1.61

## Applications Information

### Negative-Going VCC Transients

In addition to issuing a reset to the  $\mu$ P during power-up, power-down, and brownout conditions, the MAX6381-MAX6390 are relatively immune to short duration negative-going VCC transients (glitches).

The *Typical Operating Characteristics* section shows the Maximum Transient Durations vs. Reset Comparator Overdrive, for which the MAX6381-MAX6390 do not generate a reset pulse. This graph was generated using

# SC70/ $\mu$ DFN, Single/Dual Low-Voltage, Low-Power $\mu$ P Reset Circuits

MAX6381-MAX6390

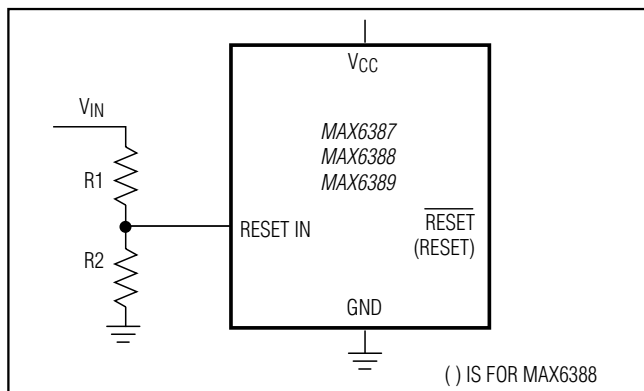


Figure 1. RESET IN Configuration

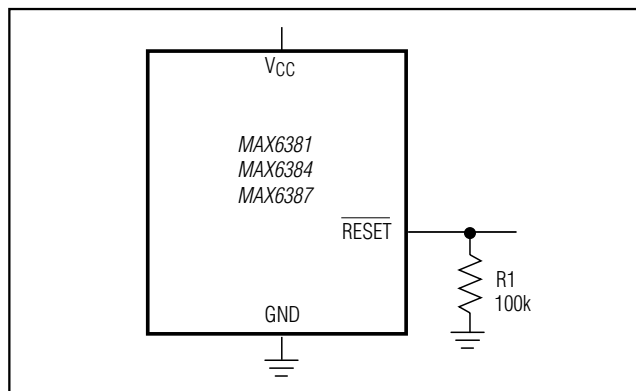


Figure 2. RESET Valid to  $V_{CC} = \text{Ground}$  Circuit

## Reset Timeout Delay

SUFFIX	MIN
D1	1ms
D2	20ms
D3	140ms
D5	280ms
D6	560ms
D4	1120ms
D7	1200ms
MAX6390_ _D4	1120/140ms*
MAX6390_ _D7	1200/150ms*

\*The MAX6390 has a 1120ms or 1200ms  $\overline{\text{RESET}}$  timeout and a 140ms or 150ms manual reset timeout.

a negative-going pulse applied to  $V_{CC}$ , starting above the actual reset threshold and ending below it by the magnitude indicated (reset comparator overdrive). The graph indicates the typical maximum pulse width a negative-going  $V_{CC}$  transient may have without causing a reset pulse to be issued. As the magnitude of the transient increases (goes farther below the reset threshold), the maximum allowable pulse width decreases. A 0.1 $\mu$ F capacitor mounted as close as possible to  $V_{CC}$  provides additional transient immunity.

### Ensuring a Valid $\overline{\text{RESET}}$ Output Down to $V_{CC} = 0\text{V}$

The MAX6381-MAX6390 are guaranteed to operate properly down to  $V_{CC} = 1\text{V}$ . In applications that require valid reset levels down to  $V_{CC} = 0\text{V}$ , a pull-down resistor to active-low outputs (push/pull only, Figure 2) and a pullup resistor to active-high outputs (push/pull only) will ensure that the reset line is valid while the reset output can no longer sink or source current. This scheme

does not work with the open-drain outputs of the MAX6383/MAX6386/MAX6389/MAX6390. The resistor value used is not critical, but it must be small enough not to load the reset output when  $V_{CC}$  is above the reset threshold. For most applications, 100k $\Omega$  is adequate.

## Standard Versions

PART	RESET THRESHOLD	RESET TIMEOUT
MAX638_	46	D3
	44	
	31	
	29	
	26	
	23	
	22	
	17	
MAX6390	46	D4
	44	
	31	
	29	
	26	
	23	
	22	
	17	
	16	

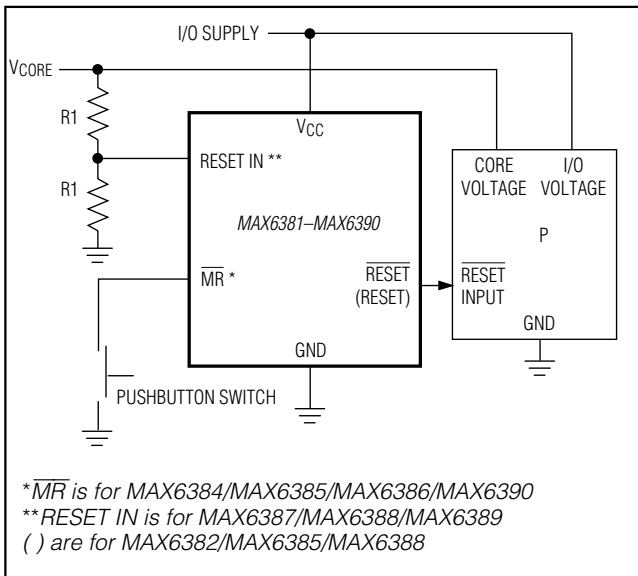
# SC70/ $\mu$ DFN, Single/Dual Low-Voltage, Low-Power $\mu$ P Reset Circuits

## Selector Guide

PART NUMBER	PUSH-PULL ACTIVE-LOW	PUSH-PULL ACTIVE-HIGH	OPEN-DRAIN ACTIVE-LOW	MANUAL RESET INPUT MR	RESET IN
MAX6381	X				
MAX6382		X			
MAX6383			X		
MAX6384	X			X	
MAX6385		X		X	
MAX6386			X	X	
MAX6390*			X	X	
MAX6387	X				X
MAX6388		X			X
MAX6389			X		X

\*The MAX6390 offers a  $V_{CC}$  reset timeout of 1120ms or 1200ms (min) and a manual reset timeout of 140ms or 150ms (min).

### Typical Operating Circuit



### Ordering Information (continued)

PART	TEMP RANGE	PIN-PACKAGE
<b>MAX6383</b> LT_ _D_+T	-40°C to +125°C	6 $\mu$ DFN
MAX6383XR_ _D_+T	-40°C to +125°C	3 SC70
<b>MAX6384</b> LT_ _D_+T	-40°C to +125°C	6 $\mu$ DFN
MAX6384XS_ _D_+T	-40°C to +125°C	4 SC70
<b>MAX6385</b> LT_ _D_+T	-40°C to +125°C	6 $\mu$ DFN
MAX6385XS_ _D_+T	-40°C to +125°C	4 SC70
<b>MAX6386</b> LT_ _D_+T	-40°C to +125°C	6 $\mu$ DFN
MAX6386XS_ _D_+T	-40°C to +125°C	4 SC70
<b>MAX6387</b> LT_ _D_+T	-40°C to +125°C	6 $\mu$ DFN
MAX6387XS_ _D_+T	-40°C to +125°C	4 SC70
<b>MAX6388</b> LT_ _D_+T	-40°C to +125°C	6 $\mu$ DFN
MAX6388XS_ _D_+T	-40°C to +125°C	4 SC70
<b>MAX6389</b> LT_ _D_+T	-40°C to +125°C	6 $\mu$ DFN
MAX6389XS_ _D_+T	-40°C to +125°C	4 SC70
<b>MAX6390</b> LT_ _D_+T	-40°C to +125°C	6 $\mu$ DFN
MAX6390XS_ _D_+T*	-40°C to +125°C	4 SC70

**Note:** Insert reset threshold suffix (see Reset Threshold table) after "XR", "XS", or "LT." Insert reset timeout delay (see Reset Timeout Delay table) after "D" to complete the part number. Sample stock is generally held on standard versions only (see Standard Versions table). Standard versions have an order increment requirement of 2500 pieces. Nonstandard versions have an order increment requirement of 10,000 pieces. Contact factory for availability of nonstandard versions.

\*MAX6390 is available with D4 or D7 timing only.

+Denotes a lead(Pb)-free/RoHS-compliant package.



# SC70/ $\mu$ DFN, Single/Dual Low-Voltage, Low-Power $\mu$ P Reset Circuits

## Pin Configurations (continued)

MAX6381-MAX6390



### Chip Information

PROCESS: BiCMOS

### Package Information

For the latest package outline information and land patterns, go to [www.maxim-ic.com/packages](http://www.maxim-ic.com/packages). Note that a "+", "#", or "-" in the package code indicates RoHS status only. Package drawings may show a different suffix character, but the drawing pertains to the package regardless of RoHS status.

PACKAGE TYPE	PACKAGE CODE	OUTLINE NO.	LAND PATTERN NO.
3 SC70	X3+2	<a href="#">21-0075</a>	<a href="#">90-0208</a>
4 SC70	X4+1	<a href="#">21-0098</a>	<a href="#">90-0187</a>
6 $\mu$ DFN	L611+1	<a href="#">21-0147</a>	<a href="#">90-0080</a>

# SC70/ $\mu$ DFN, Single/Dual Low-Voltage, Low-Power $\mu$ P Reset Circuits

## Revision History

REVISION NUMBER	REVISION DATE	DESCRIPTION	PAGES CHANGED
0	10/00	Initial release	—
3	12/05	Added lead-free notation to <i>Ordering Information</i> .	1, 8
4	4/07	Added $\mu$ DFN package to data sheet.	1, 2, 5, 7–13
5	7/12	Added automotive package to <i>Ordering Information</i> .	1

Maxim cannot assume responsibility for use of any circuitry other than circuitry entirely embodied in a Maxim product. No circuit patent licenses are implied. Maxim reserves the right to change the circuitry and specifications without notice at any time. The parametric values (min and max limits) shown in the Electrical Characteristics table are guaranteed. Other parametric values quoted in this data sheet are provided for guidance.

Компания «Океан Электроники» предлагает заключение долгосрочных отношений при поставках импортных электронных компонентов на взаимовыгодных условиях!

Наши преимущества:

- Поставка оригинальных импортных электронных компонентов напрямую с производств Америки, Европы и Азии, а так же с крупнейших складов мира;
- Широкая линейка поставок активных и пассивных импортных электронных компонентов (более 30 млн. наименований);
- Поставка сложных, дефицитных, либо снятых с производства позиций;
- Оперативные сроки поставки под заказ (от 5 рабочих дней);
- Экспресс доставка в любую точку России;
- Помощь Конструкторского Отдела и консультации квалифицированных инженеров;
- Техническая поддержка проекта, помощь в подборе аналогов, поставка прототипов;
- Поставка электронных компонентов под контролем ВП;
- Система менеджмента качества сертифицирована по Международному стандарту ISO 9001;
- При необходимости вся продукция военного и аэрокосмического назначения проходит испытания и сертификацию в лаборатории (по согласованию с заказчиком);
- Поставка специализированных компонентов военного и аэрокосмического уровня качества (Xilinx, Altera, Analog Devices, Intersil, Interpoint, Microsemi, Actel, Aeroflex, Peregrine, VPT, Syfer, Eurofarad, Texas Instruments, MS Kennedy, Miteq, Cobham, E2V, MA-COM, Hittite, Mini-Circuits, General Dynamics и др.);

Компания «Океан Электроники» является официальным дистрибьютором и эксклюзивным представителем в России одного из крупнейших производителей разъемов военного и аэрокосмического назначения «JONHON», а так же официальным дистрибьютором и эксклюзивным представителем в России производителя высокотехнологичных и надежных решений для передачи СВЧ сигналов «FORSTAR».



## JONHON

«JONHON» (основан в 1970 г.)

Разъемы специального, военного и аэрокосмического назначения:

(Применяются в военной, авиационной, аэрокосмической, морской, железнодорожной, горно- и нефтедобывающей отраслях промышленности)

«FORSTAR» (основан в 1998 г.)

ВЧ соединители, коаксиальные кабели, кабельные сборки и микроволновые компоненты:

(Применяются в телекоммуникациях гражданского и специального назначения, в средствах связи, РЛС, а так же военной, авиационной и аэрокосмической отраслях промышленности).



Телефон: 8 (812) 309-75-97 (многоканальный)

Факс: 8 (812) 320-03-32

Электронная почта: [ocean@oceanchips.ru](mailto:ocean@oceanchips.ru)

Web: <http://oceanchips.ru/>

Адрес: 198099, г. Санкт-Петербург, ул. Калинина, д. 2, корп. 4, лит. А