

IS61/64WV25616EFALL IS61/64WV25616EFBLL

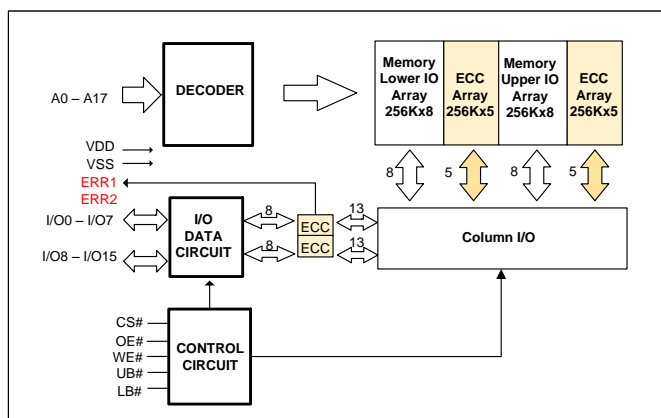
APRIL 2018

256Kx16 HIGH SPEED ASYNCHRONOUS CMOS STATIC RAM with ECC

KEY FEATURES

- High-speed access time: 8, 10ns, 12ns
- Single power supply
 - 1.65V-2.2V V_{DD}(IS61/64WV25616EFALL)
 - 2.4V-3.6V V_{DD} (IS61/64WV25616EFBLL)
- Error Detection and Correction with optional ERR1/ERR2 output pin:
 - ERR1 pin indicates 1-bit error detection and correction.
 - ERR2 pin indicates 2-bit error detection
- Three state outputs
- Industrial and Automotive temperature support
- Lead-free available

FUNCTIONAL BLOCK DIAGRAM



DESCRIPTION

The *ISSI* IS61/64WV25616EFALL/EFBLL are high-speed, low power, 4M bit static RAMs organized as 256K words by 16 bits. It is fabricated using *ISSI*'s high-performance CMOS technology and implemented ECC function to improve reliability.

This highly reliable process coupled with innovative circuit design techniques including ECC (SEC-DED: Single Error Correcting-Double Error Detecting) yield high-performance and highly reliable devices.

When CS# is HIGH (deselected), the device assumes a standby mode at which the power dissipation can be reduced down with CMOS input levels.

Easy memory expansion is provided by using Chip Enable and Output Enable inputs. The active LOW Write Enable (WE#) controls both writing and reading of the memory. A data byte allows Upper Byte (UB#) and Lower Byte (LB#) access.

The IS61/64WV25616EFALL/EFBLL are packaged in the JEDEC standard 48-ball mini BGA (6mm x 8mm), and 44-pin TSOP (TYPE II)

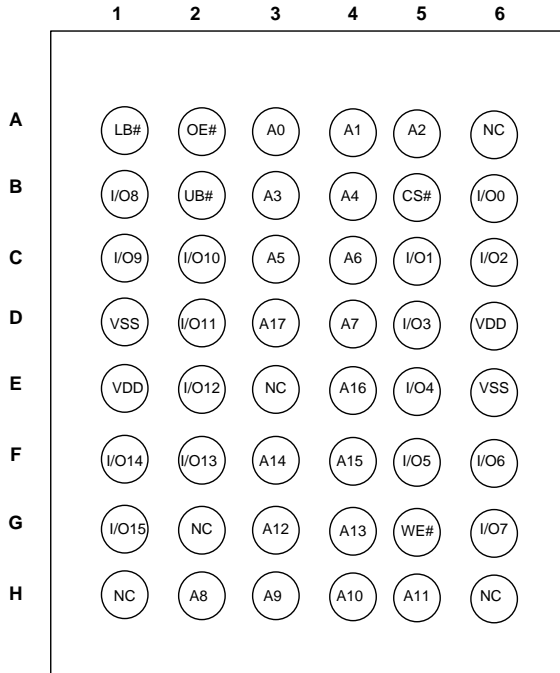
Copyright © 2018 Integrated Silicon Solution, Inc. All rights reserved. ISSI reserves the right to make changes to this specification and its products at any time without notice. ISSI assumes no liability arising out of the application or use of any information, products or services described herein. Customers are advised to obtain the latest version of this device specification before relying on any published information and before placing orders for products.

Integrated Silicon Solution, Inc. does not recommend the use of any of its products in life support applications where the failure or malfunction of the product can reasonably be expected to cause failure of the life support system or to significantly affect its safety or effectiveness. Products are not authorized for use in such applications unless Integrated Silicon Solution, Inc. receives written assurance to its satisfaction, that:

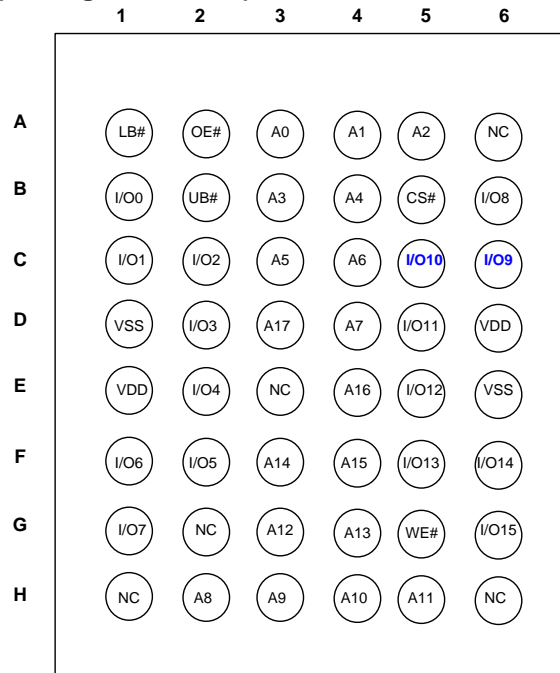
- a.) the risk of injury or damage has been minimized;
- b.) the user assume all such risks; and
- c.) potential liability of Integrated Silicon Solution, Inc is adequately protected under the circumstances

PIN CONFIGURATIONS

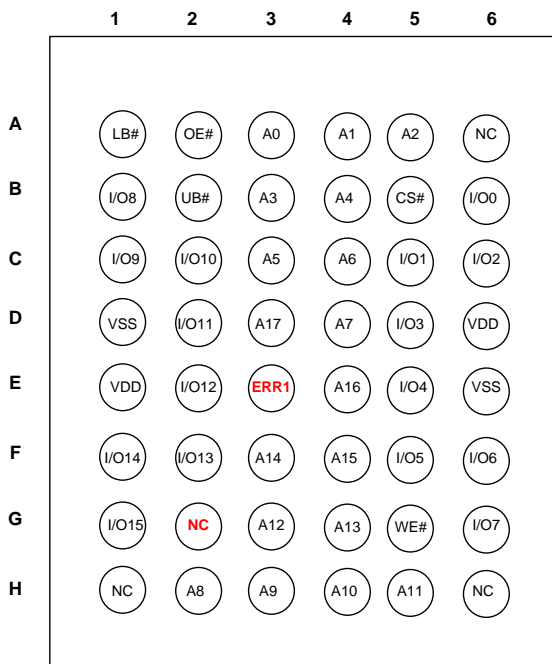
48-Ball mini BGA(6mm x 8mm),
(Package Code : B)



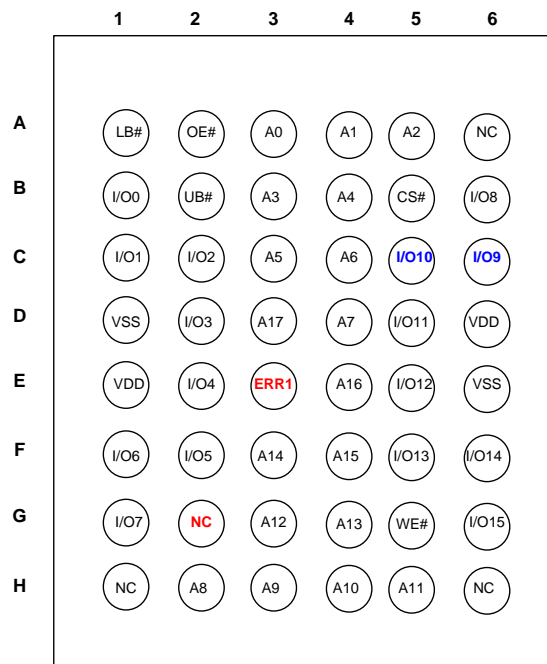
48-Ball mini BGA (6mm x 8mm) , Switched IO
(Package Code : B2)



48-Ball mini BGA(6mm x 8mm), ERR1
(Package Code : B3)



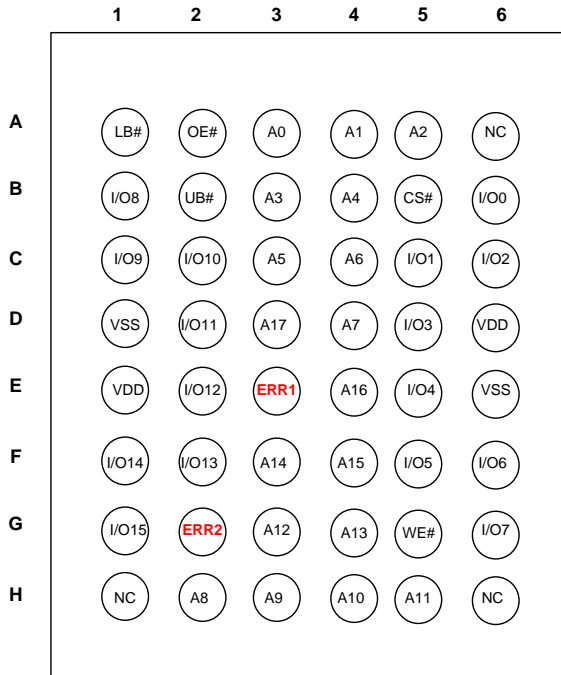
48-Ball mini BGA (6mm x 8mm) , ERR1
(Package Code : B4)



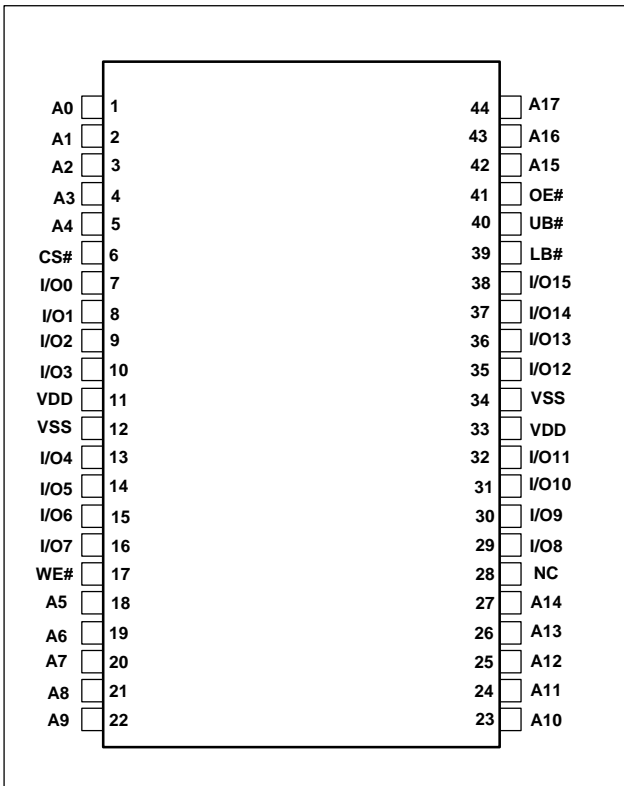
IS61/64WV25616EFALL IS61/64WV25616EFBLL



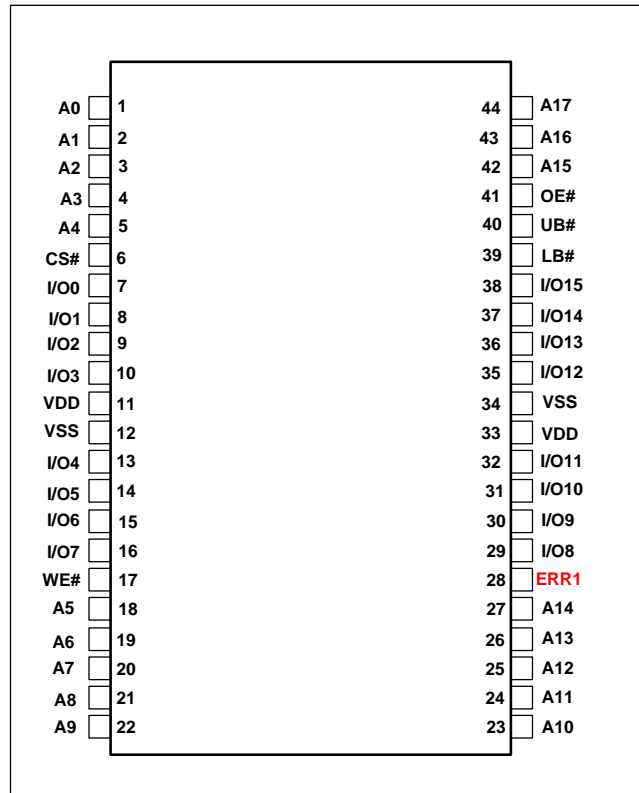
48-Ball BGA (6mm x 8mm) , ERR1/2
(Package Code : B5)



44-Pin TSOP-II, (Package Code : T)



44-Pin TSOP-II with ERR1, (Package Code : T2)



PIN DESCRIPTIONS

A0-A17	Address Inputs
I/O0-I/O15	Data Inputs/Outputs
CS#	Chip Enable Input
OE#	Output Enable Input
WE#	Write Enable Input
LB#	Lower-byte Control (I/O0-I/O7)
UB#	Upper-byte Control (I/O8-I/O15)
ERR1	1-bit Error Detection and Correction Signal
ERR2	2-bit ERR Detection Signal
NC	No Connection
VDD	Power
VSS	Ground

FUNCTION DESCRIPTION

SRAM is one of random access memories. Each byte or word has an address and can be accessed randomly. SRAM has three different modes supported. Each function is described below with Truth Table.

STANDBY MODE

Device enters standby mode when deselected (CS# HIGH). The input and output pins (I/O0-15) are placed in a high impedance state. CMOS input in this mode will maximize saving power.

WRITE MODE

Write operation issues with Chip selected (CS#) and Write Enable (WE#) input LOW. The input and output pins (I/O0-15) are in data input mode. Output buffers are closed during this time even if OE# is LOW. UB# and LB# enables a byte write feature. By enabling LB# LOW, data from I/O pins (I/O0 through I/O7) are written into the location specified on the address pins. And with UB# being LOW, data from I/O pins (I/O8 through I/O15) are written into the location.

READ MODE

Read operation issues with Chip selected (CS# LOW) and Write Enable (WE#) input HIGH. When OE# is LOW, output buffer turns on to make data output. Any input to I/O pins during READ mode is not permitted. UB# and LB# enables a byte read feature. By enabling LB# LOW, data from memory appears on I/O0-7. And with UB# being LOW, data from memory appears on I/O8-15.

In the READ mode, output buffers can be turned off by pulling OE# HIGH. In this mode, internal device operates as READ but I/Os are in a high impedance state. Since device is in READ mode, active current is used.

ERROR DETECTION AND ERROR CORRECTION

- Independent ECC per each byte
 - detect and correct one bit error per byte or detect 2-bit error per byte
- Optional ERR1 output signal indicates 1-bit error detection and correction
- Optional ERR2 output signal indicates 2-bit error detection.
- Controller can use either ERR1 or ERR2 to monitor ECC event. Unused pins (ERR1 or ERR2) can be left floating.
- Better reliability than parity code schemes which can only detect an error but not correct an error
- Backward Compatible: Drop in replacement to current in industry standard devices (without ECC)

ERR1, ERR2 OUTPUT SIGNAL BEHAVIOR

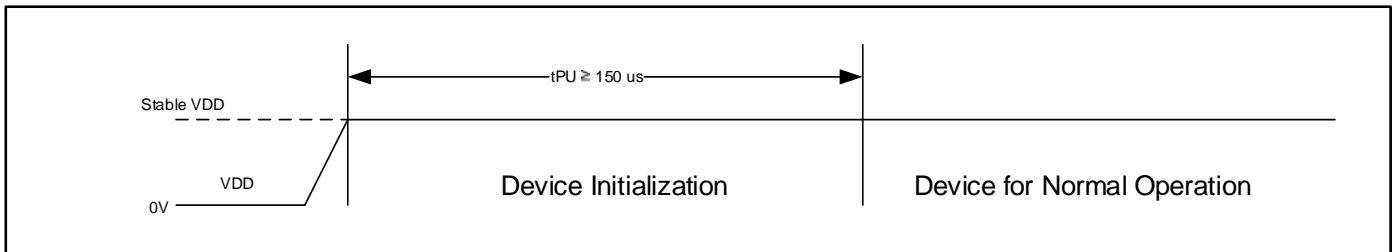
ERR1	ERR2	DQ pin	Status	Remark
0	0	Valid Q	No Error	
1	0	Valid Q	1-Bit Error only	1-bit error per byte detected and corrected
0	1	In-Valid Q	2-Bit Error only	No 1-bit error. 2-bit error per byte detected (out of 2 bytes)
1	1	In-Valid Q	1-bit & 2-bit error	1-bit error detected and corrected at one byte, and 2-bit error detected at another byte.
High-Z	High-Z	Valid D	Non-Read	Write operation or Output Disabled

TRUTH TABLE

Mode	CS#	WE#	OE#	LB#	UB#	I/O0-I/O7	I/O8-I/O15	VDD Current
Not Selected	H	X	X	X	X	High-Z	High-Z	I _{SB1} , I _{SB2}
Output Disabled	L	H	H	L	L	High-Z	High-Z	ICC
	L	H	H	H	L	High-Z	High-Z	
Read	L	H	L	L	H	DOUT	High-Z	ICC
	L	H	L	H	L	High-Z	DOUT	
	L	H	L	L	L	DOUT	DOUT	
Write	L	L	X	L	H	DIN	High-Z	ICC
	L	L	X	H	L	High-Z	DIN	
	L	L	X	L	L	DIN	DIN	

POWER UP INITIALIZATION

The device includes on-chip voltage sensor used to launch POWER-UP initialization process. When VDD reaches stable level, the device requires 150us of t_{PU} (Power-Up Time) to complete its self-initialization process. When initialization is complete, the device is ready for normal operation.



ABSOLUTE MAXIMUM RATINGS AND OPERATING RANGE

ABSOLUTE MAXIMUM RATINGS⁽¹⁾

Symbol	Parameter	Value	Unit
V _{term}	Terminal Voltage with Respect to VSS	-0.5 to V _{DD} + 0.5V	V
V _{DD}	V _{DD} Related to VSS	-0.3 to 4.0	V
t _{Stg}	Storage Temperature	-65 to +150	°C
P _T	Power Dissipation	1.0	W

Note:

1. Stress greater than those listed under ABSOLUTE MAXIMUM RATINGS may cause permanent damage to the device. This is a stress rating only and functional operation of the device at these or any other conditions above those indicated in the operational sections of this specification is not implied. Exposure to absolute maximum rating conditions for extended periods may affect reliability.

PIN CAPACITANCE ⁽¹⁾

Parameter	Symbol	Test Condition	Max	Units
Input capacitance	C _{IN}	T _A = 25°C, f = 1 MHz, V _{DD} = V _{DD} (typ)	6	pF
DQ capacitance (IO0–IO15)	C _{I/O}		8	pF

Note:

1. These parameters are guaranteed by design and tested by a sample basis only.

OPERATING RANGE⁽¹⁾

Range	Ambient Temperature	PART NUMBER	VDD	SPEED (MAX)
Commercial	0°C to +70°C	IS61WV25616EFALL	1.65V – 2.2V	10 ns
		IS61WV25616EFBLL	2.4V – 3.6V	
				3.3V+/-10%
Industrial	-40°C to +85°C	IS61WV25616EFALL	1.65V – 2.2V	10 ns
		IS61WV25616EFBLL	2.4V – 3.6V	
				3.3V+/-10%
Automotive (A3)	-40°C to +125°C	IS64WV25616EFALL	1.65V – 2.2V	10 ns
		IS64WV25616EFBLL	2.4V – 3.6V	

AC TEST CONDITIONS (OVER THE OPERATING RANGE)

Parameter	Unit (1.65V~2.2V)	Unit (2.4V~3.6V)	Unit (3.3V +/-10%)
Input Pulse Level	0V to V_{DD}	0V to V_{DD}	0V to V_{DD}
Input Rise and Fall Time	1.5 ns	1.5 ns	1.5 ns
Output Timing Reference Level	$\frac{1}{2} V_{DD}$	$\frac{1}{2} V_{DD}$	$\frac{1}{2} V_{DD}$
R1 (ohm)	13500	319	319
R2 (ohm)	10800	353	353
V_{TM} (V)	V_{DD}	V_{DD}	V_{DD}
Output Load Conditions	Refer to Figure 1 and 2		

AC TEST LOADS

FIGURE 1

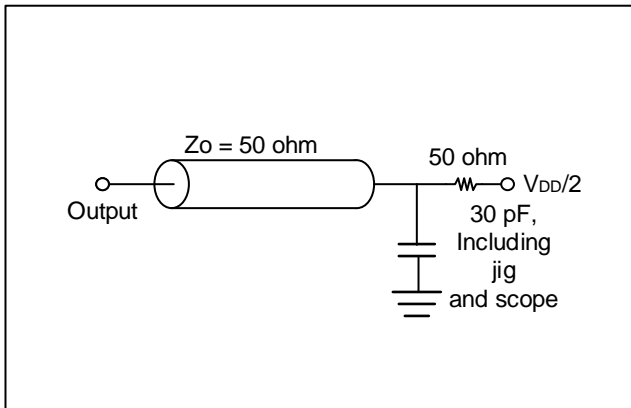
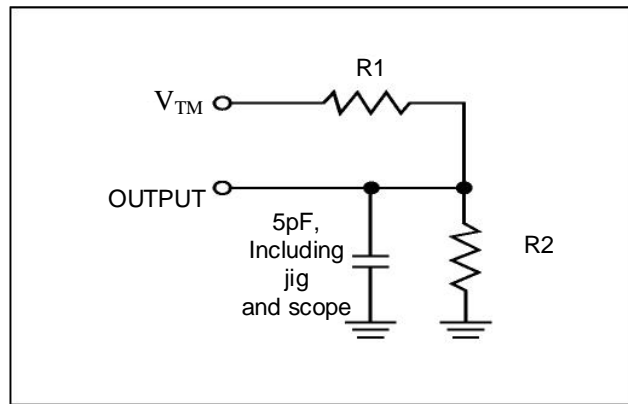


FIGURE 2



DC ELECTRICAL CHARACTERISTICS

DC ELECTRICAL CHARACTERISTICS (OVER THE OPERATING RANGE)

IS61/64WV25616EFALL (VDD = 1.65V – 2.2V)

Symbol	Parameter	Test Conditions	Min.	Max.	Unit
V _{OH}	Output HIGH Voltage	I _{OH} = -0.1 mA	1.4	—	V
V _{OL}	Output LOW Voltage	I _{OL} = 0.1 mA	—	0.2	V
V _{IH} (¹)	Input HIGH Voltage		1.4	V _{DD} + 0.2	V
V _{IL} (¹)	Input LOW Voltage		-0.2	0.4	V
I _{LI}	Input Leakage	GND < V _{IN} < V _{DD}	-1	1	μA
I _{LO}	Output Leakage	GND < V _{IN} < V _{DD} , Output Disabled	-1	1	μA

Note:

- V_{ILL}(min) = -1.0V AC (pulse width < 10ns). Not 100% tested.
V_{IHH}(max) = V_{DD} + 1.0V AC (pulse width < 10ns). Not 100% tested.

IS61/64WV25616EFBLL (VDD = 2.4V – 3.6V)

Symbol	Parameter	Test Conditions	Min.	Max.	Unit	
V _{OH}	Output HIGH Voltage	2.4V ~ 2.7V	V _{DD} = Min., I _{OH} = -1.0 mA	2.0	—	V
		2.7V ~ 3.6V	V _{DD} = Min., I _{OH} = -4.0 mA	2.2		
V _{OL}	Output LOW Voltage	2.4V ~ 2.7V	V _{DD} = Min., I _{OL} = 2.0 mA	—	0.4	V
		2.7V ~ 3.6V	V _{DD} = Min., I _{OL} = 8.0 mA	—	0.4	
V _{IH} (¹)	Input HIGH Voltage	2.4V ~ 2.7V		2.0	V _{DD} + 0.3	V
		2.7V ~ 3.6V		2.0		
V _{IL} (¹)	Input LOW Voltage	2.4V ~ 2.7V		-0.3	0.6	V
		2.7V ~ 3.6V		-0.3	0.8	
I _{LI}	Input Leakage	V _{SS} < V _{IN} < V _{DD}	-2	2	μA	
I _{LO}	Output Leakage	V _{SS} < V _{IN} < V _{DD} , Output Disabled	-2	2	μA	

Note:

- V_{IL}(min) = -0.3V DC ; V_{IL}(min) = -2.0V AC (pulse width 2.0ns). Not 100% tested.
V_{IH}(max) = V_{DD} + 0.3V DC ; V_{IH}(max) = V_{DD} + 2.0V AC (pulse width 2.0ns). Not 100% tested.

POWER SUPPLY CHARACTERISTICS-II FOR POWER (OVER THE OPERATING RANGE)

Symbol	Parameter	Test Conditions	Grade	-8 ⁽³⁾ Max.	-10 Max.	-12 Max.	Unit
ICC	V _{DD} Dynamic Operating Supply Current	V _{DD} = MAX, I _{OUT} = 0 mA, f = f _{MAX}	Com.	40	30	30	mA
			Ind.	45	35	35	
			Auto.	-	40	40	
ICC1	Operating Supply Current	V _{DD} = MAX, I _{OUT} = 0 mA, f = 0	Com.	20	20	20	mA
			Ind.	25	25	25	
			Auto.	-	35	35	
ISB1	TTL Standby Current (TTL Inputs)	V _{DD} = MAX, V _{IN} = V _{IH} or V _{IL} CS# ≥ V _{IH} , f = 0	Com.	15	15	15	mA
			Ind.	20	20	20	
			Auto.	-	30	30	
ISB2	CMOS Standby Current (CMOS Inputs)	V _{DD} = MAX, CS# ≥ V _{DD} - 0.2V V _{IN} ≥ V _{DD} - 0.2V, or V _{IN} ≤ 0.2V , f = 0	Com.	8	8	8	mA
			Ind.	10	10	10	
			Auto.	-	20	20	
			Typ. ⁽²⁾	3			

Notes:

1. At f = f_{MAX}, address and data inputs are cycling at the maximum frequency, f = 0 means no input line change.
2. Typical value indicate the value for the center of distribution, measured at V_{DD} = 3.0V/1.8V, T_A = 25 °C, and not 100% tested.
3. 8ns is at V_{DD}=3.3V +/-10%

AC CHARACTERISTICS (OVER OPERATING RANGE)

READ CYCLE AC CHARACTERISTICS⁽¹⁾

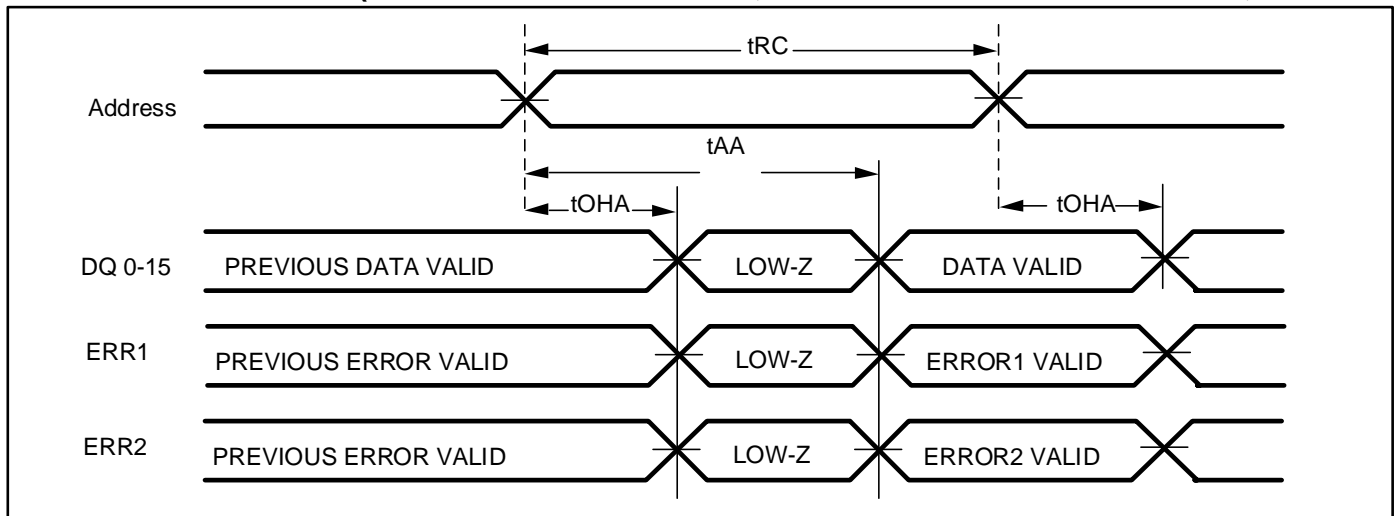
Parameter	Symbol	-8 ⁽³⁾		-10		-12		unit	notes
		Min	Min	Min	Min	Min	Max		
Read Cycle Time	tRC	8	-	10	-	12	-	ns	
Address Access Time	tAA	-	8	-	10	-	12	ns	
Output Hold Time	tOHA	2.0	-	2.5	-	2.5	-	ns	
CS# Access Time	tACE	-	8	-	10	-	12	ns	
OE# Access Time	tDOE	-	4.5	-	6	-	7	ns	
OE# to High-Z Output	tHZOE	0	3	0	5	0	6	ns	2
OE# to Low-Z Output	tLZOE	0	-	0	-	0	-	ns	2
CS# to High-Z Output	tHZCE	0	3	0	5	0	6	ns	2
CS# to Low-Z Output	tLZCE	3	-	3	-	3	-	ns	2
UB#, LB# Access Time	tBA	-	5.5	-	6	-	7	ns	
UB#, LB# to High-Z Output	tHZB	0	3	0	5	0	6	ns	2
UB#, LB# to Low-Z Output	tLZB	0	-	0	-	0	-	ns	2

Notes:

1. Test conditions assume signal transition times of 1.5 ns or less, timing reference levels of $V_{DD}/2$, input pulse levels of 0V to V_{DD} and output loading specified in Figure 1.
2. Tested with the load in Figure 2. Transition is measured ± 500 mV from steady-state voltage. Not 100% tested.
3. 8ns is at $V_{DD}=3.3V \pm 10\%$

AC WAVEFORMS

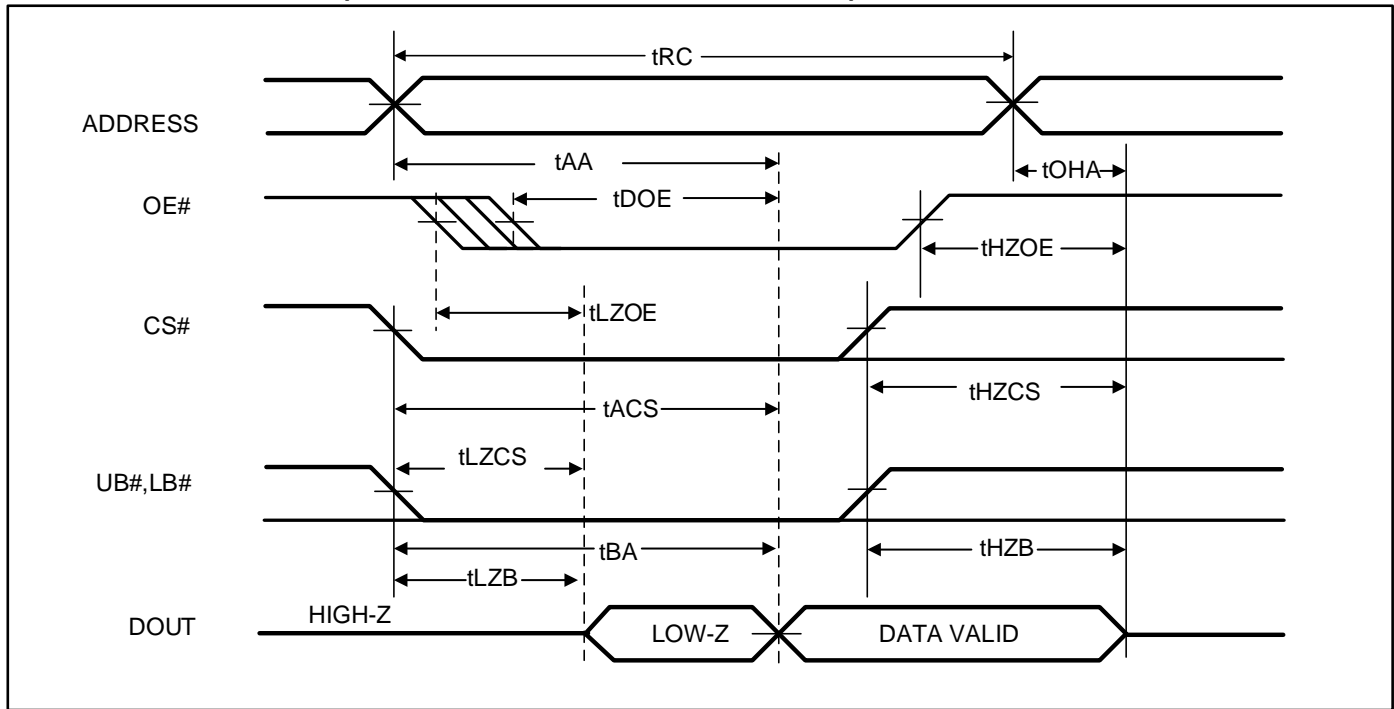
READ CYCLE NO. 1^(1,2) (ADDRESS CONTROLLED, CS# = OE# = UB# = LB# = LOW, WE# = HIGH)



Notes:

1. The device is continuously selected.
2. ERR1, ERR2 signals act like a Read Data Q during Read Operation.

READ CYCLE NO. 2⁽¹⁾ (OE# CONTROLLED, WE# = HIGH)



Note:

1. Address is valid prior to or coincident with CS# LOW transition.

WRITE CYCLE AC CHARACTERISTICS⁽¹⁾

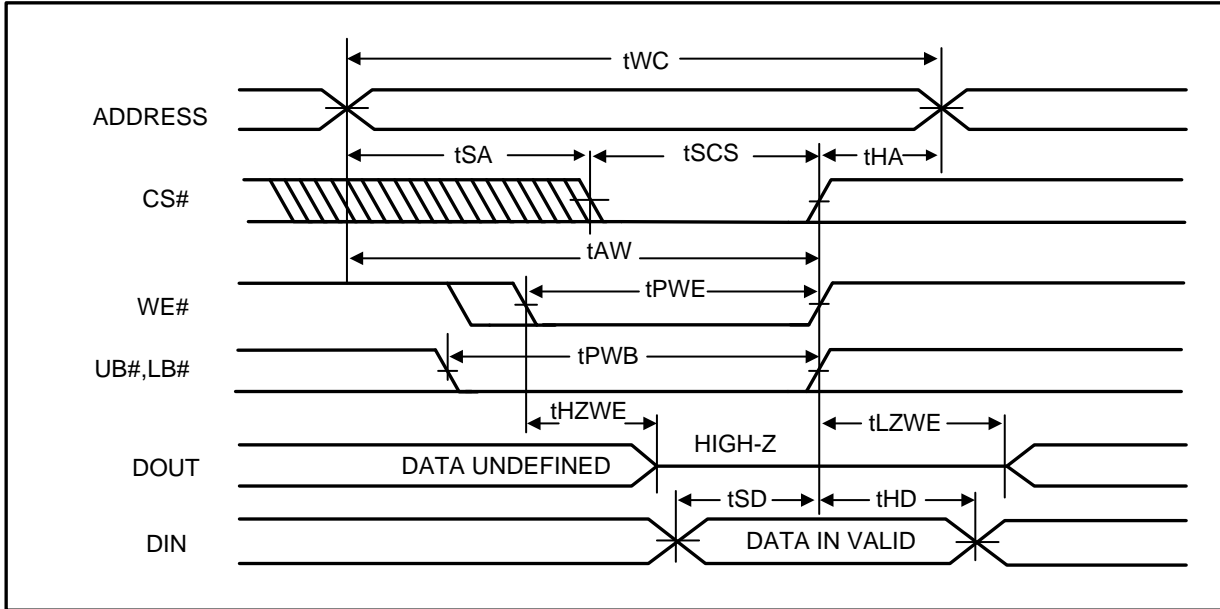
Parameter	Symbol	-8 ⁽³⁾		-10		-12		unit	notes
		Min	Max	Min	Max	Min	Max		
Write Cycle Time	tWC	8	-	10	-	12	-	ns	
CS# to Write End	tSCS	6.5	-	8	-	9	-	ns	
Address Setup Time to Write End	tAW	6.5	-	8	-	9	-	ns	
UB#,LB# to Write End	tPWB	6.5	-	8	-	9	-	ns	
Address Hold from Write End	tHA	0	-	0	-	0	-	ns	
Address Setup Time	tSA	0	-	0	-	0	-	ns	
WE# Pulse Width	tPWE1	6.5	-	8	-	9	-	ns	
WE# Pulse Width (OE# = LOW)	tPWE2	8	-	10	-	12	-	ns	2
Data Setup to Write End	tSD	5	-	6	-	7	-	ns	
Data Hold from Write End	tHD	0	-	0	-	0	-	ns	
WE# LOW to High-Z Output	tHZWE	-	3.5	-	4	-	5	ns	
WE# HIGH to Low-Z Output	tLZWE	2	-	2	-	2	-	ns	

Notes:

- 1 The internal write time is defined by the overlap of CS# = LOW, UB# or LB# = LOW, and WE# = LOW. All conditions must be in valid states to initiate a Write, but any condition can go inactive to terminate the Write. The Data Input Setup and Hold timing are referenced to the rising or falling edge of the signal that terminates the write.
- 2 tPWE > tHZWE + tSD when OE# is LOW.
- 3 8ns is at VDD=3.3V +/-10%

AC WAVEFORMS

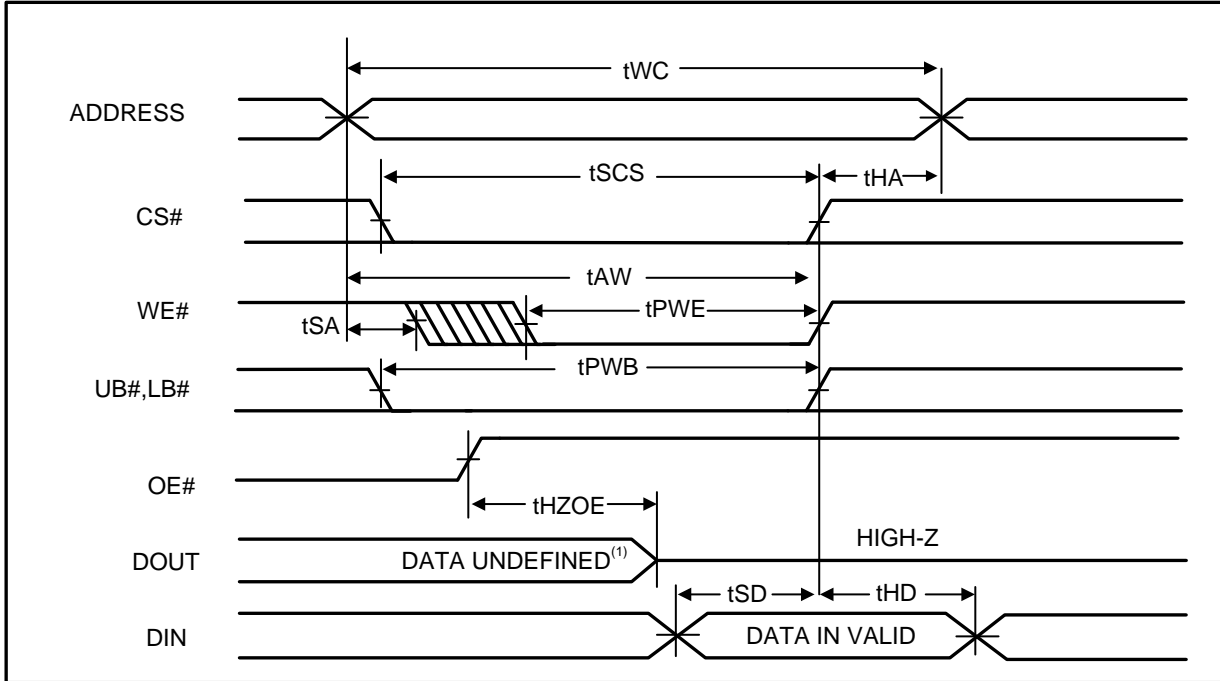
WRITE CYCLE NO. 1⁽¹⁾ (CS# CONTROLLED, OE# = HIGH OR LOW)



Note:

1. I/O will assume the High-Z state if CS# = V_{IH} or OE# = V_{IH} .

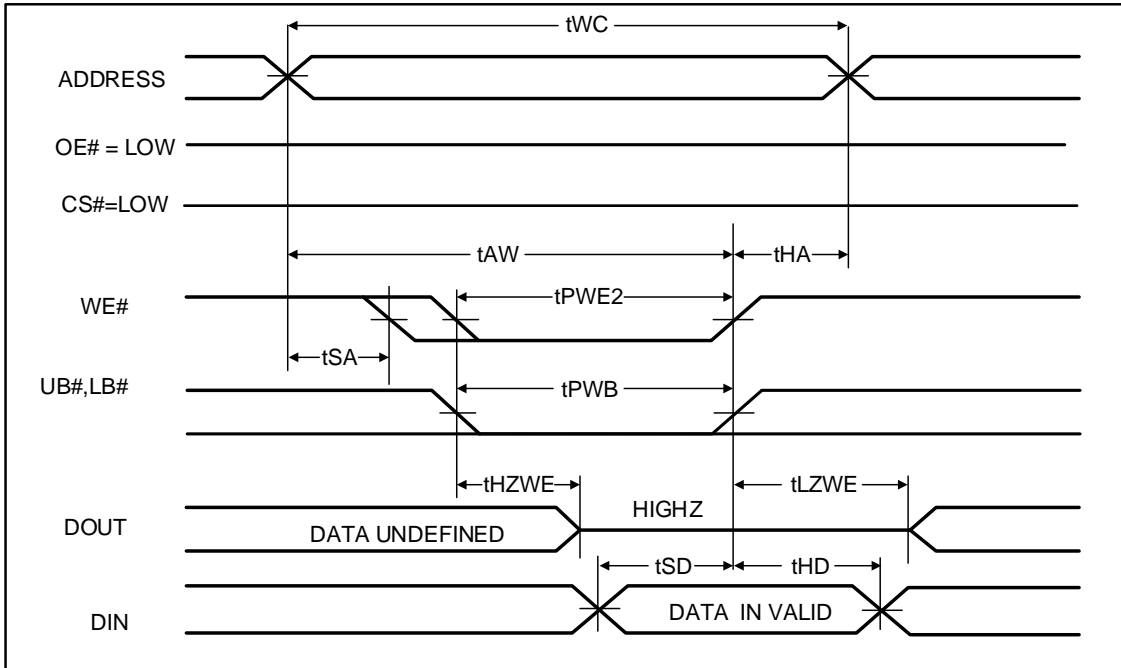
WRITE CYCLE NO. 2⁽¹⁾ (WE# CONTROLLED: OE# IS HIGH DURING WRITE CYCLE)



Note:

1. tHZOE is the time DOUT goes to High-Z after OE# goes high. During this period the I/Os are in output state. Do not apply input signals.

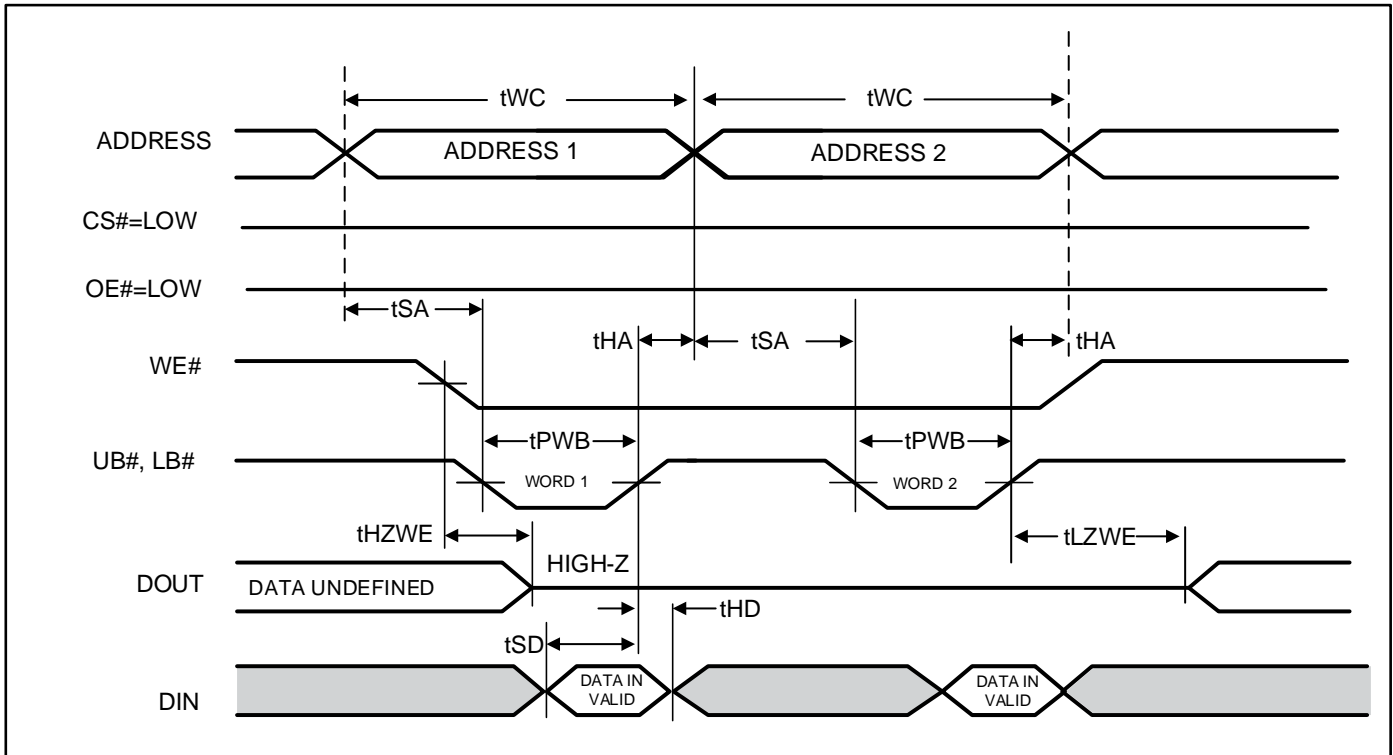
WRITE CYCLE NO. 3⁽¹⁾ (WE# CONTROLLED: OE# IS LOW DURING WRITE CYCLE)



Note:

1. I/O will assume the High-Z state if CS# = V_{IH} or OE# = V_{IH}.

WRITE CYCLE NO. 4^(1, 2, 3) (UB# & LB# Controlled, CS# = OE# = LOW)



Notes:

- 1 If OE# is low during write cycle, tHZWE must be met in the application. Do not apply input signal during this period. Data output from the previous READ operation will drive IO BUS.
- 2 Due to the restriction of note1, OE# is recommended to be HIGH during write period.
- 3 WE# stays LOW in this example. If WE# toggles, tPWE and tHZWE must be considered.

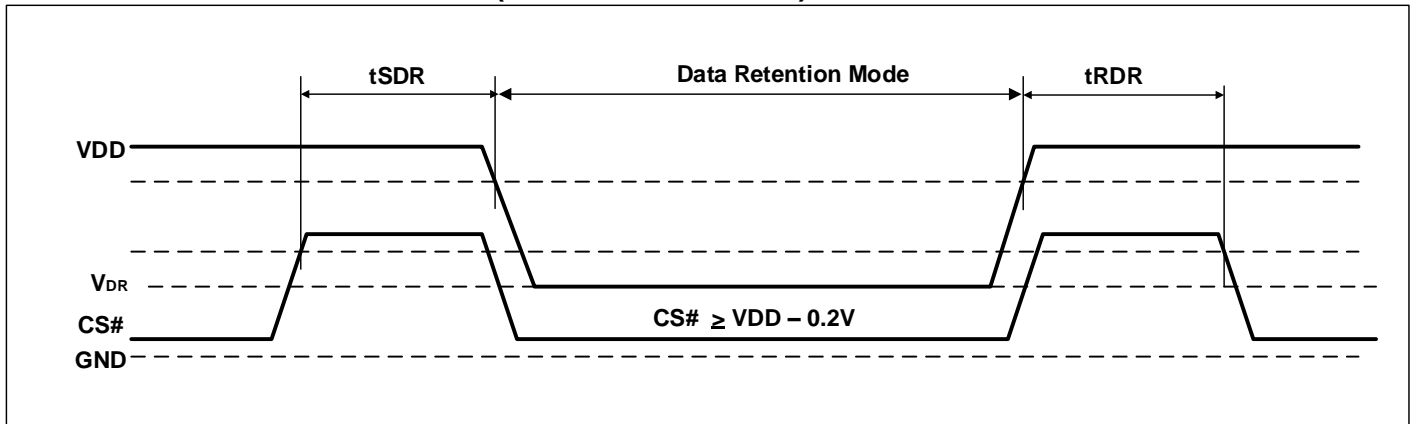
DATA RETENTION CHARACTERISTICS⁽²⁾

Symbol	Parameter	Test Condition	OPTION	Min.	Typ.	Max.	Unit
V _{DR}	V _{DD} for Data Retention	See Data Retention Waveform	V _{DD} = 2.4V to 3.6V	2.0		-	V
			V _{DD} = 1.65V to 2.2V	1.2		-	
I _{DR}	Data Retention Current	V _{DD} = V _{DR} (min.), CS# ≥ V _{DD} - 0.2V, VIN ≤ 0.2V or VIN ≥ V _{DD} - 0.2V	Com.	-	3 ⁽¹⁾	8	mA
			Ind.	-	-	10	
			Auto	-	-	20	
t _{SDR}	Data Retention Setup Time	See Data Retention Waveform		0	-	-	ns
t _{RDR}	Recovery Time	See Data Retention Waveform		t _{RC}	-	-	ns

Notes:

1. Typical value indicates the value for the center of distribution, measured at V_{DD} = V_{DR} (min.), T_A = 25 °C and not 100% tested.
2. VDD power down slope must be longer than 100 us/volt when enter into Data Retention Mode.

DATA RETENTION WAVEFORM (CS# CONTROLLED)



ORDERING INFORMATION

Industrial Range: -40°C to +85°C, Voltage Range: 1.65V to 2.2V

Speed (ns)	Order Part No.	Package
10	IS61WV25616EFALL-10BI	mini BGA (6mm x 8mm)
10	IS61WV25616EFALL-10BLI	mini BGA (6mm x 8mm), Lead-free
10	IS61WV25616EFALL-10B2I	mini BGA (6mm x 8mm), Switched IO
10	IS61WV25616EFALL-10B2LI	mini BGA (6mm x 8mm), Switched IO, Lead-free
10	IS61WV25616EFALL-10B3I	mini BGA (6mm x 8mm), ERR1 Pin
10	IS61WV25616EFALL-10B3LI	mini BGA (6mm x 8mm), ERR1 Pin, Lead-free
10	IS61WV25616EFALL-10B4I	mini BGA (6mm x 8mm), ERR1 Pin, Switched IO
10	IS61WV25616EFALL-10B4LI	mini BGA (6mm x 8mm), ERR1 Pin, Switched IO Lead-free
10	IS61WV25616EFALL-10B5I	mini BGA (6mm x 8mm), ERR1/ERR2 Pins
10	IS61WV25616EFALL-10B5LI	mini BGA (6mm x 8mm), ERR1/ERR2 Pins, Lead-free
10	IS61WV25616EFALL-10TLI	TSOP (Type II) , Lead-free
10	IS61WV25616EFALL-10T2LI	TSOP (Type II), ERR1 Pin , Lead-free

Industrial Range: -40°C to +85°C, Voltage Range: 2.4V to 3.6V

Speed (ns) ⁽¹⁾	Order Part No.	Package
10 (8)	IS61WV25616EFBLL-10BI	mini BGA (6mm x 8mm)
10 (8)	IS61WV25616EFBLL-10BLI	mini BGA (6mm x 8mm), Lead-free
10 (8)	IS61WV25616EFBLL-10B2I	mini BGA (6mm x 8mm), Switched IO
10 (8)	IS61WV25616EFBLL-10B2LI	mini BGA (6mm x 8mm), Switched IO, Lead-free
10 (8)	IS61WV25616EFBLL-10B3I	mini BGA (6mm x 8mm), ERR1 Pin
10 (8)	IS61WV25616EFBLL-10B3LI	mini BGA (6mm x 8mm), ERR1 Pin, Lead-free
10 (8)	IS61WV25616EFBLL-10B4I	mini BGA (6mm x 8mm), ERR1 Pin, Switched IO
10 (8)	IS61WV25616EFBLL-10B4LI	mini BGA (6mm x 8mm), ERR1 Pin, Switched IO Lead-free
10 (8)	IS61WV25616EFBLL-10B5I	mini BGA (6mm x 8mm), ERR1/ERR2 Pins
10 (8)	IS61WV25616EFBLL-10B5LI	mini BGA (6mm x 8mm), ERR1/ERR2 Pins, Lead-free
10 (8)	IS61WV25616EFBLL-10TLI	TSOP (Type II) , Lead-free
10 (8)	IS61WV25616EFBLL-10T2LI	TSOP (Type II), ERR1 Pin , Lead-free

Note:

1. Speed = 8ns when VDD = 3.3V +/-10%. Speed = 10ns when VDD = 2.4V to 3.6V

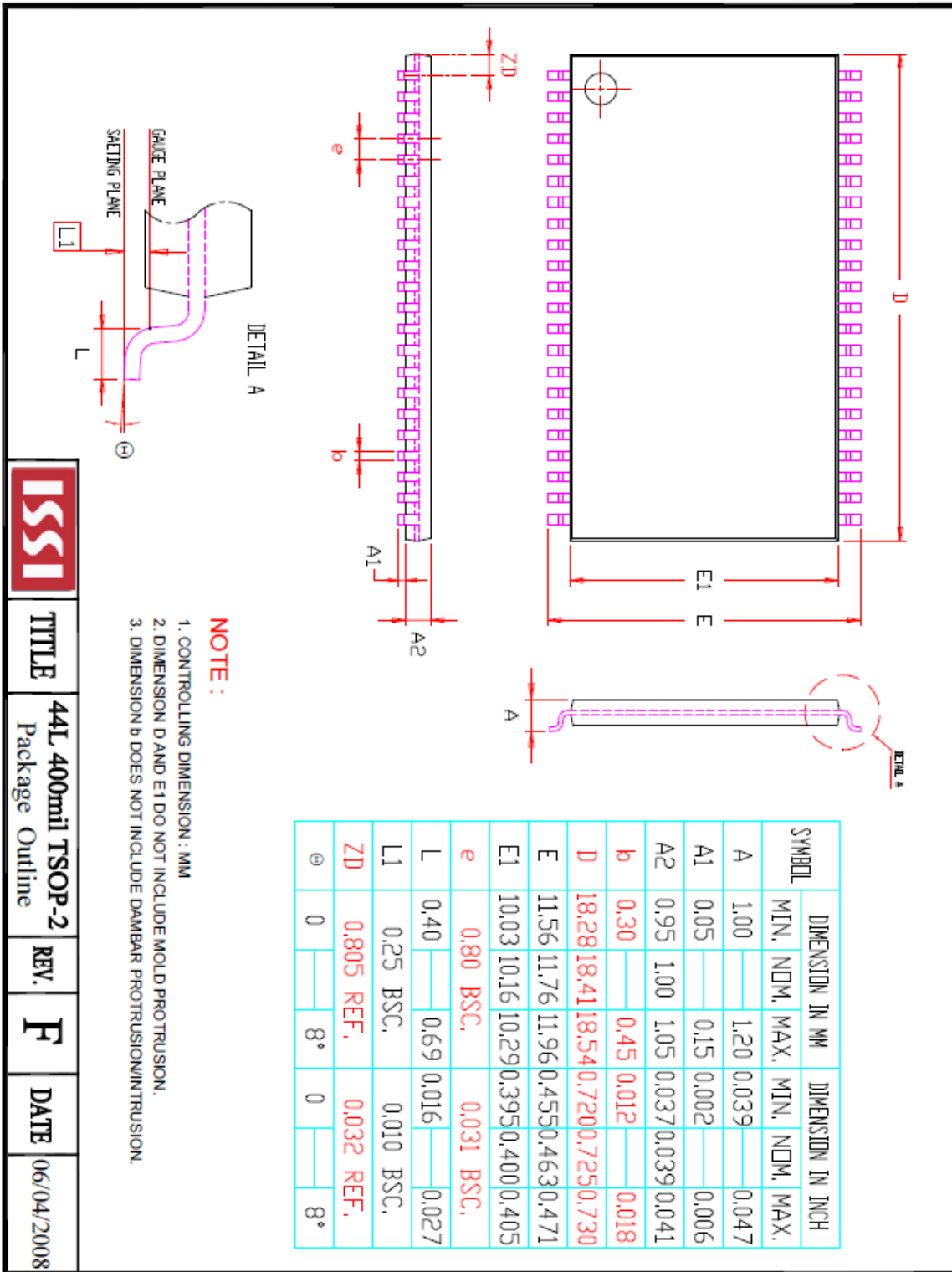
Automotive (A3) Range: -40°C to +125°C, Voltage Range: 1.65V to 2.2V

Speed (ns)	Order Part No.	Package
12	IS64WV25616EFALL-12BA3	mini BGA (6mm x 8mm)
12	IS64WV25616EFALL-12BLA3	mini BGA (6mm x 8mm), Lead-free
12	IS64WV25616EFALL-12B2A3	mini BGA (6mm x 8mm), Switched IO
12	IS64WV25616EFALL-12B2LA3	mini BGA (6mm x 8mm), Switched IO, Lead-free
12	IS64WV25616EFALL-12B3A3	mini BGA (6mm x 8mm), ERR1 Pin
12	IS64WV25616EFALL-12B3LA3	mini BGA (6mm x 8mm), ERR1 Pin, Lead-free
12	IS64WV25616EFALL-12B4A3	mini BGA (6mm x 8mm), ERR1 Pin, Switched IO
12	IS64WV25616EFALL-12B4LA3	mini BGA (6mm x 8mm), ERR1 Pin, Switched IO Lead-free
12	IS64WV25616EFALL-12B5A3	mini BGA (6mm x 8mm), ERR1/ERR2 Pins
12	IS64WV25616EFALL-12B5LA3	mini BGA (6mm x 8mm), ERR1/ERR2 Pins, Lead-free
12	IS64WV25616EFALL-12CTLA3	TSOP (Type II) , Copper Lead-frame, Lead-free
12	IS64WV25616EFALL-12CT2LA3	TSOP (Type II), ERR1 Pin , Copper Lead-frame ,Lead-free

Automotive (A3) Range: -40°C to +125°C, Voltage Range: 2.4V to 3.6V

Speed (ns)	Order Part No.	Package
10	IS64WV25616EFBLL-10BA3	mini BGA (6mm x 8mm)
10	IS64WV25616EFBLL-10BLA3	mini BGA (6mm x 8mm), Lead-free
10	IS64WV25616EFBLL-10B2A3	mini BGA (6mm x 8mm), Switched IO
10	IS64WV25616EFBLL-10B2LA3	mini BGA (6mm x 8mm), Switched IO, Lead-free
10	IS64WV25616EFBLL-10B3A3	mini BGA (6mm x 8mm), ERR1 Pin
10	IS64WV25616EFBLL-10B3LA3	mini BGA (6mm x 8mm), ERR1 Pin, Lead-free
10	IS64WV25616EFBLL-10B4A3	mini BGA (6mm x 8mm), ERR1 Pin, Switched IO
10	IS64WV25616EFBLL-10B4LA3	mini BGA (6mm x 8mm), ERR1 Pin, Switched IO Lead-free
10	IS64WV25616EFBLL-10B5A3	mini BGA (6mm x 8mm), ERR1/ERR2 Pins
10	IS64WV25616EFBLL-10B5LA3	mini BGA (6mm x 8mm), ERR1/ERR2 Pins, Lead-free
10	IS64WV25616EFBLL-10CTLA3	TSOP (Type II) , Copper Lead-frame, Lead-free
10	IS64WV25616EFBLL-10CT2LA3	TSOP (Type II), ERR1 Pin , Copper Lead-frame ,Lead-free

PACKAGE INFORMATION



TITLE

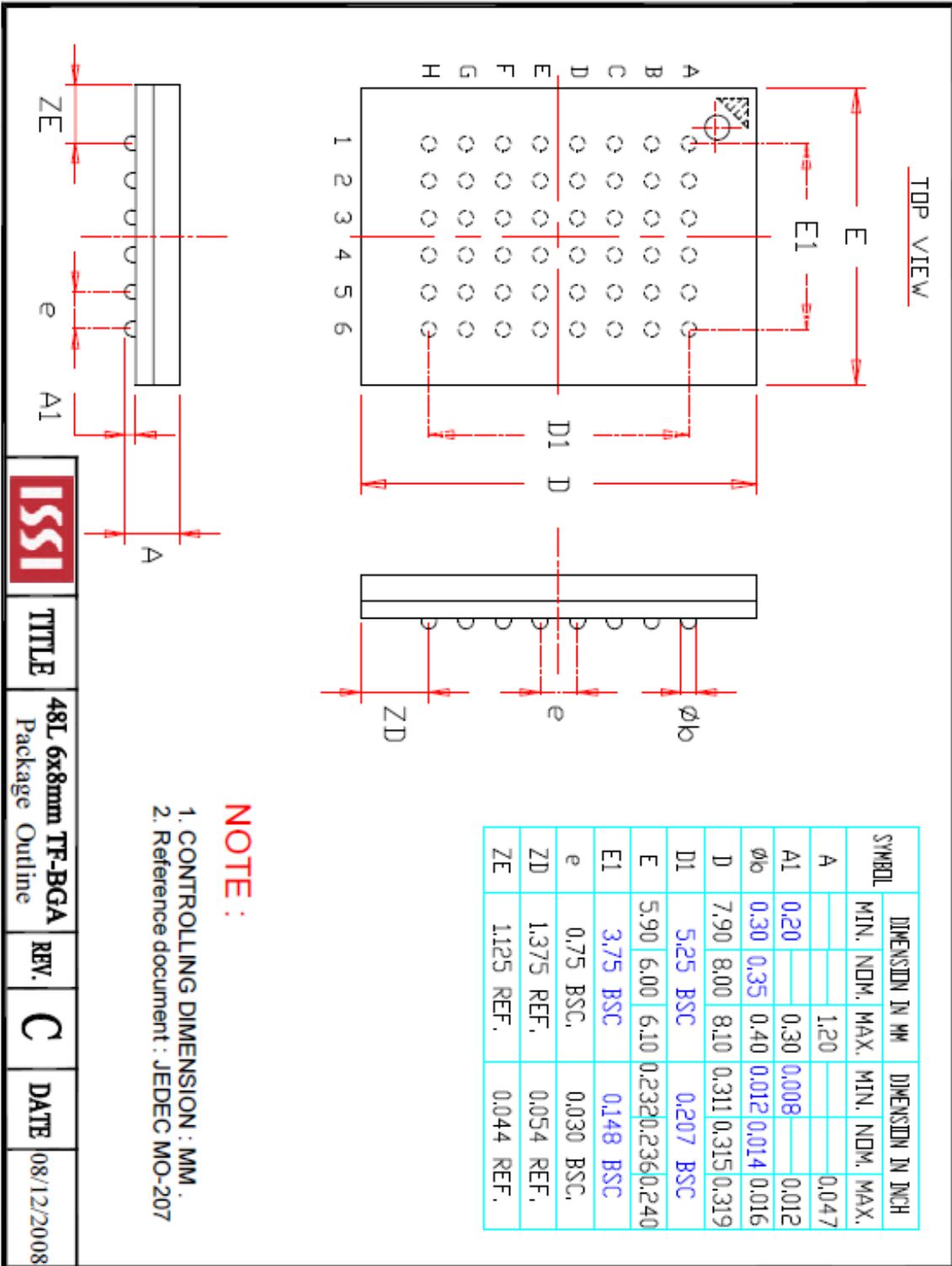
44L 400mil TSOP-2
Package Outline

REV.

F

DATE

06/04/2008



Компания «Океан Электроники» предлагает заключение долгосрочных отношений при поставках импортных электронных компонентов на взаимовыгодных условиях!

Наши преимущества:

- Поставка оригинальных импортных электронных компонентов напрямую с производств Америки, Европы и Азии, а так же с крупнейших складов мира;
- Широкая линейка поставок активных и пассивных импортных электронных компонентов (более 30 млн. наименований);
- Поставка сложных, дефицитных, либо снятых с производства позиций;
- Оперативные сроки поставки под заказ (от 5 рабочих дней);
- Экспресс доставка в любую точку России;
- Помощь Конструкторского Отдела и консультации квалифицированных инженеров;
- Техническая поддержка проекта, помощь в подборе аналогов, поставка прототипов;
- Поставка электронных компонентов под контролем ВП;
- Система менеджмента качества сертифицирована по Международному стандарту ISO 9001;
- При необходимости вся продукция военного и аэрокосмического назначения проходит испытания и сертификацию в лаборатории (по согласованию с заказчиком);
- Поставка специализированных компонентов военного и аэрокосмического уровня качества (Xilinx, Altera, Analog Devices, Intersil, Interpoint, Microsemi, Actel, Aeroflex, Peregrine, VPT, Syfer, Eurofarad, Texas Instruments, MS Kennedy, Miteq, Cobham, E2V, MA-COM, Hittite, Mini-Circuits, General Dynamics и др.);

Компания «Океан Электроники» является официальным дистрибьютором и эксклюзивным представителем в России одного из крупнейших производителей разъемов военного и аэрокосмического назначения «JONHON», а так же официальным дистрибьютором и эксклюзивным представителем в России производителя высокотехнологичных и надежных решений для передачи СВЧ сигналов «FORSTAR».



JONHON

«JONHON» (основан в 1970 г.)

Разъемы специального, военного и аэрокосмического назначения:

(Применяются в военной, авиационной, аэрокосмической, морской, железнодорожной, горно- и нефтедобывающей отраслях промышленности)

«FORSTAR» (основан в 1998 г.)

ВЧ соединители, коаксиальные кабели, кабельные сборки и микроволновые компоненты:

(Применяются в телекоммуникациях гражданского и специального назначения, в средствах связи, РЛС, а так же военной, авиационной и аэрокосмической отраслях промышленности).



Телефон: 8 (812) 309-75-97 (многоканальный)

Факс: 8 (812) 320-03-32

Электронная почта: ocean@oceanchips.ru

Web: <http://oceanchips.ru/>

Адрес: 198099, г. Санкт-Петербург, ул. Калинина, д. 2, корп. 4, лит. А